

TPS3702

Functional Safety FIT Rate, FMD and Pin FMA



Table of Contents

1 Overview.....	2
2 Functional Safety Failure In Time (FIT) Rates.....	3
3 Failure Mode Distribution (FMD).....	4
4 Pin Failure Mode Analysis (Pin FMA).....	5

Trademarks

All trademarks are the property of their respective owners.

1 Overview

This document contains information for TPS3702 (DDC package) to aid in a functional safety system design. Information provided are:

- Functional Safety Failure In Time (FIT) rates of the semiconductor component estimated by the application of industry reliability standards
- Component failure modes and their distribution (FMD) based on the primary function of the device
- Pin failure mode analysis (Pin FMA)

Figure 1-1 shows the device functional block diagram for reference.

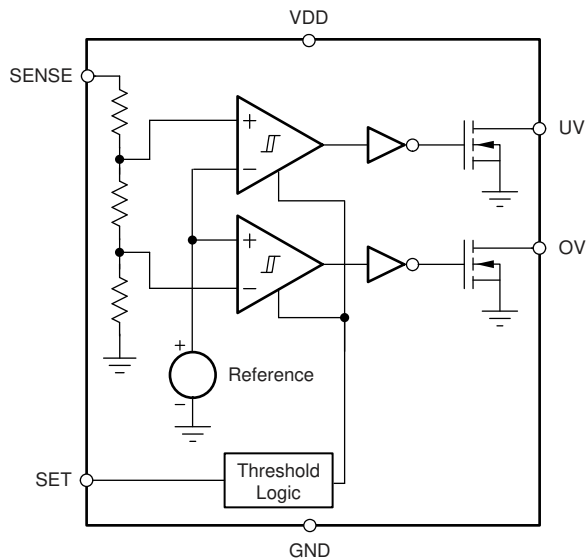


Figure 1-1. Functional Block Diagram

TPS3702 was developed using a quality-managed development process, but was not developed in accordance with the IEC 61508 or ISO 26262 standards.

2 Functional Safety Failure In Time (FIT) Rates

This section provides Functional Safety Failure In Time (FIT) rates for TPS3702 based on two different industry-wide used reliability standards:

- [Table 2-1](#) provides FIT rates based on IEC TR 62380 / ISO 26262 part 11
- [Table 2-2](#) provides FIT rates based on the Siemens Norm SN 29500-2

Table 2-1. Component Failure Rates per IEC TR 62380 / ISO 26262 Part 11

FIT IEC TR 62380 / ISO 26262	FIT (Failures Per 10 ⁹ Hours)
Total Component FIT Rate	4
Die FIT Rate	2
Package FIT Rate	2

The failure rate and mission profile information in [Table 2-1](#) comes from the Reliability data handbook IEC TR 62380 / ISO 26262 part 11:

- Mission Profile: Motor Control from Table 11
- Power dissipation: 6 mW
- Climate type: World-wide Table 8
- Package factor (λ_3): Table 17b
- Substrate Material: FR4
- EOS FIT rate assumed: 0 FIT

Table 2-2. Component Failure Rates per Siemens Norm SN 29500-2

Table	Category	Reference FIT Rate	Reference Virtual T _J
5	CMOS, BICMOS Digital, analog / mixed	20 FIT	55°C

The Reference FIT Rate and Reference Virtual T_J (junction temperature) in [Table 2-2](#) come from the Siemens Norm SN 29500-2 tables 1 through 5. Failure rates under operating conditions are calculated from the reference failure rate and virtual junction temperature using conversion information in SN 29500-2 section 4.

3 Failure Mode Distribution (FMD)

The failure mode distribution estimation for TPS3702 in [Table 3-1](#) comes from the combination of common failure modes listed in standards such as IEC 61508 and ISO 26262, the ratio of sub-circuit function size and complexity and from best engineering judgment.

The failure modes listed in this section reflect random failure events and do not include failures due to misuse or overstress.

Table 3-1. Die Failure Modes and Distribution

Die Failure Modes	Failure Mode Distribution (%)
UV or OV output HiZ	30%
UV or OV output stuck low	30%
UV or OV output operating outside of specification	40%

4 Pin Failure Mode Analysis (Pin FMA)

This section provides a Failure Mode Analysis (FMA) for the pins of the TPS3702. The failure modes covered in this document include the typical pin-by-pin failure scenarios:

- Pin short-circuited to Ground (see [Table 4-2](#))
- Pin open-circuited (see [Table 4-3](#))
- Pin short-circuited to an adjacent pin (see [Table 4-4](#))
- Pin short-circuited to VDD (see [Table 4-5](#))

[Table 4-2](#) through [Table 4-5](#) also indicate how these pin conditions can affect the device as per the failure effects classification in [Table 4-1](#).

Table 4-1. TI Classification of Failure Effects

Class	Failure Effects
A	Potential device damage that affects functionality
B	No device damage, but loss of functionality
C	No device damage, but performance degradation
D	No device damage, no impact to functionality or performance

[Figure 4-1](#) shows the TPS3702 pin diagram. For a detailed description of the device pins please refer to the *Pin Configuration and Functions* section in the TPS3702 data sheet.

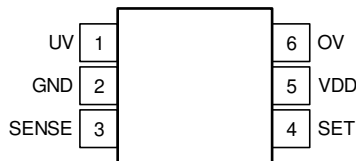


Figure 4-1. DDC Package SOT-6 Top View

Following are the assumptions of use and the device configuration assumed for the pin FMA in this section:

- Unless otherwise specified, it is assumed that the voltages applied to all the pins are within the Recommended Operating Range specified in the TPS3702 data sheet.
- Note that the SET and the SENSE pin have lower maximum operating range than VDD and UV/OV.
- For shorts to VDD, this document assumes the SET and SENSE pin maximum is not exceeded.
- Refer to *Typical Application Circuit* diagram in the datasheet for test layout.

Table 4-2. Pin FMA for Device Pins Short-Circuited to Ground

Pin Name	Pin No.	Description of Potential Failure Effect(s)	Failure Effect Class
UV	1	No damage to device, undervoltage output pin nonfunctional, increase in system current.	B
GND	2	No effect.	D
SENSE	3	No damage to device, Undervoltage output always active, Overvoltage output always inactive.	B
OV	4	No damage to device, Overvoltage output pin nonfunctional, increase in system current.	B
VDD	5	No damage to device, but device is unpowered. Device is nonfunctional.	B
SET	6	No damage to device, wide thresholds selected.	B

Table 4-3. Pin FMA for Device Pins Open-Circuited

Pin Name	Pin No.	Description of Potential Failure Effect(s)	Failure Effect Class
UV	1	No damage to device, undervoltage output pin nonfunctional.	B
GND	2	No damage to device, but device is unpowered. Device is nonfunctional.	B
SENSE	3	No damage to device. Due to internal resistor ladder for setting trip points open SENSE pin behaves as though GND potential - Undervoltage output always active, Overvoltage output always inactive.	B
OV	4	No damage to device, overvoltage output pin nonfunctional.	B
VDD	5	No damage to device, but device is unpowered. Device is nonfunctional.	B
SET	6	No damage to device. Due to internal pull up on SET pin it behaves as if connected to VDD - narrow thresholds selected.	B

Table 4-4. Pin FMA for Device Pins Short-Circuited to Adjacent Pin

Pin Name	Pin No.	Shorted to	Description of Potential Failure Effect(s)	Failure Effect Class
UV	1	GND	No damage to device, undervoltage output pin nonfunctional, increase in system current.	B
GND	2	SENSE	No damage to device, Undervoltage output always active, Overvoltage output always inactive.	B
SENSE	3	SET	Since SET VIH = 750mV and all SENSE thresholds >1V, SENSE = SET means always narrow threshold tolerances selected.	B
OV	4	UV	No damage to device, but device is nonfunctional with both outputs tied together, can't distinguish OV from UV.	B
VDD	5	OV	No damage to device, overvoltage output pin nonfunctional.	B
SET	6	VDD	No damage to device, narrow thresholds selected.	B

Table 4-5. Pin FMA for Device Pins Short-Circuited to VDD

Pin Name	Pin No.	Description of Potential Failure Effect(s)	Failure Effect Class
UV	1	No damage to device, undervoltage output pin nonfunctional.	B
GND	2	No damage to device, but device is unpowered. Device is nonfunctional.	B
SENSE	3	No damage to device, Undervoltage output always inactive, Overvoltage output always active.	B
OV	4	No damage to device, overvoltage output pin nonfunctional.	B
VDD	5	No effect.	D
SET	6	No damage to device, narrow thresholds selected.	B

IMPORTANT NOTICE AND DISCLAIMER

TI PROVIDES TECHNICAL AND RELIABILITY DATA (INCLUDING DATASHEETS), DESIGN RESOURCES (INCLUDING REFERENCE DESIGNS), APPLICATION OR OTHER DESIGN ADVICE, WEB TOOLS, SAFETY INFORMATION, AND OTHER RESOURCES "AS IS" AND WITH ALL FAULTS, AND DISCLAIMS ALL WARRANTIES, EXPRESS AND IMPLIED, INCLUDING WITHOUT LIMITATION ANY IMPLIED WARRANTIES OF MERCHANTABILITY, FITNESS FOR A PARTICULAR PURPOSE OR NON-INFRINGEMENT OF THIRD PARTY INTELLECTUAL PROPERTY RIGHTS.

These resources are intended for skilled developers designing with TI products. You are solely responsible for (1) selecting the appropriate TI products for your application, (2) designing, validating and testing your application, and (3) ensuring your application meets applicable standards, and any other safety, security, or other requirements. These resources are subject to change without notice. TI grants you permission to use these resources only for development of an application that uses the TI products described in the resource. Other reproduction and display of these resources is prohibited. No license is granted to any other TI intellectual property right or to any third party intellectual property right. TI disclaims responsibility for, and you will fully indemnify TI and its representatives against, any claims, damages, costs, losses, and liabilities arising out of your use of these resources.

TI's products are provided subject to TI's Terms of Sale (<https://www.ti.com/legal/termsofsale.html>) or other applicable terms available either on [ti.com](https://www.ti.com) or provided in conjunction with such TI products. TI's provision of these resources does not expand or otherwise alter TI's applicable warranties or warranty disclaimers for TI products.

Mailing Address: Texas Instruments, Post Office Box 655303, Dallas, Texas 75265
Copyright © 2021, Texas Instruments Incorporated