

# SN6505x-Q1 Functional Safety FIT Rate, FMD and Pin FMA



## Table of Contents

<b>1 Overview</b> .....	2
<b>2 Functional Safety Failure In Time (FIT) Rates</b> .....	3
2.1 SOT-23 (6) Package.....	3
<b>3 Failure Mode Distribution (FMD)</b> .....	4
<b>4 Pin Failure Mode Analysis (Pin FMA)</b> .....	5
4.1 SOT-23 (6) Package.....	5

## Trademarks

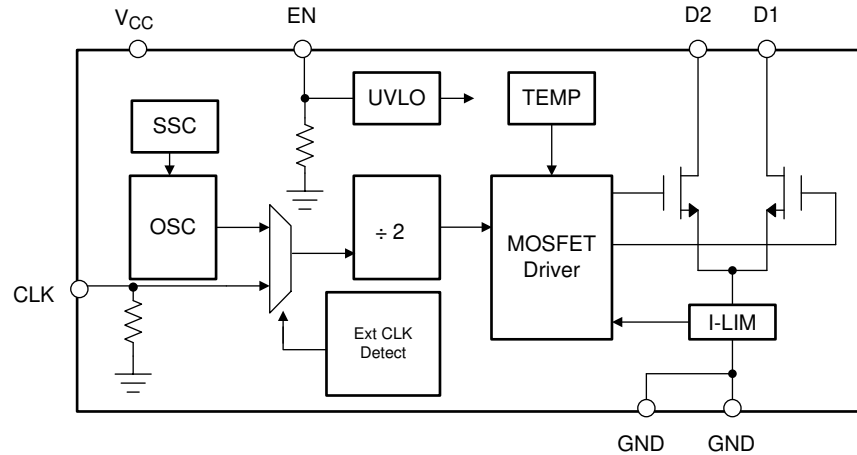
All trademarks are the property of their respective owners.

## 1 Overview

This document contains information for SN6505x-Q1 (SOT-23 (6) package) to aid in a functional safety system design. Information provided are:

- Functional Safety Failure In Time (FIT) rates of the semiconductor component estimated by the application of industry reliability standards
- Component failure modes and their distribution (FMD) based on the primary function of the device
- Pin failure mode analysis (Pin FMA)

Figure 1-1 shows the device functional block diagram for reference.



**Figure 1-1. Functional Block Diagram**

SN6505x-Q1 was developed using a quality-managed development process, but was not developed in accordance with the IEC 61508 or ISO 26262 standards.

## 2 Functional Safety Failure In Time (FIT) Rates

### 2.1 SOT-23 (6) Package

This section provides Functional Safety Failure In Time (FIT) rates for SOT-23 (6) package of SN6505x-Q1 based on two different industry-wide used reliability standards:

- [Table 2-1](#) provides FIT rates based on IEC TR 62380 / ISO 26262 part 11
- [Table 2-2](#) provides FIT rates based on the Siemens Norm SN 29500-2

**Table 2-1. Component Failure Rates per IEC TR 62380 / ISO 26262 Part 11**

FIT IEC TR 62380 / ISO 26262	FIT (Failures Per 10 <sup>9</sup> Hours)
Total Component FIT Rate	6
Die FIT Rate	2
Package FIT Rate	4

The failure rate and mission profile information in [Table 2-1](#) comes from the Reliability data handbook IEC TR 62380 / ISO 26262 part 11:

- Mission Profile: Motor Control from Table 11
- Power dissipation: TBD mW
- Climate type: World-wide Table 8
- Package factor (lambda 3): Table 17b
- Substrate Material: FR4
- EOS FIT rate assumed: 0 FIT

**Table 2-2. Component Failure Rates per Siemens Norm SN 29500-2**

Table	Category	Reference FIT Rate	Reference Virtual T <sub>J</sub>
5	CMOS, BICMOS Digital, analog / mixed	25 FIT	55°C

The Reference FIT Rate and Reference Virtual T<sub>J</sub> (junction temperature) in [Table 2-2](#) come from the Siemens Norm SN 29500-2 tables 1 through 5. Failure rates under operating conditions are calculated from the reference failure rate and virtual junction temperature using conversion information in SN 29500-2 section 4.

### 3 Failure Mode Distribution (FMD)

The failure mode distribution estimation for SN6505x-Q1 in [Table 3-1](#) comes from the combination of common failure modes listed in standards such as IEC 61508 and ISO 26262, the ratio of sub-circuit function size and complexity and from best engineering judgment.

The failure modes listed in this section reflect random failure events and do not include failures due to misuse or overstress.

**Table 3-1. Die Failure Modes and Distribution**

Die Failure Modes	Failure Mode Distribution (%)
D1 and/or D2 FET stuck off	43%
D1 and/or D2 FET stuck ON	31%
D1 and/or D2 output not in timing or voltage specification	20%
D1 and/or D2 output undetermined	6%

## 4 Pin Failure Mode Analysis (Pin FMA)

This section provides a Failure Mode Analysis (FMA) for the pins of the SN6505x-Q1 (SOT-23 (6) package). The failure modes covered in this document include the typical pin-by-pin failure scenarios:

- Pin short-circuited to Ground (see [Table 4-2](#))
- Pin open-circuited (see [Table 4-3](#))
- Pin short-circuited to an adjacent pin (see [Table 4-4](#))
- Pin short-circuited to supply (see [Table 4-5](#))

[Table 4-2](#) through [Table 4-5](#) also indicate how these pin conditions can affect the device as per the failure effects classification in [Table 4-1](#).

**Table 4-1. TI Classification of Failure Effects**

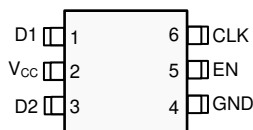
Class	Failure Effects
A	Potential device damage that affects functionality
B	No device damage, but loss of functionality
C	No device damage, but performance degradation
D	No device damage, no impact to functionality or performance

Following are the assumptions of use and the device configuration assumed for the pin FMA in this section:

- External push-pull transformer connected with a winding between D1 and  $V_{CC}$ , another winding connected between D2 and  $V_{CC}$ .

### 4.1 SOT-23 (6) Package

[Figure 4-1](#) shows the SN6505x-Q1 pin diagram for the SOT-23 (6) package. For a detailed description of the device pins please refer to the *Pin Configuration and Functions* section in the SN6505x-Q1 data sheet.



**Figure 4-1. Pin Diagram (SOT-23 (6)) Package**

**Table 4-2. Pin FMA for Device Pins Short-Circuited to Ground**

Pin Name	Pin No.	Description of Potential Failure Effect(s)	Failure Effect Class
D1	1	D1 pin stuck low creates short circuit path between Vcc and ground through transformer winding, causing high current to flow and possible damage to transformer. Output voltage out of designed spec.	A
V <sub>CC</sub>	2	No power to the device. No isolated output voltage.	B
D2	3	D2 pin stuck low creates short circuit path between Vcc and ground through transformer winding, causing high current to flow and possible damage to transformer. Output voltage out of designed spec.	A
GND	4	Device continues to function as expected. Normal operation.	D
EN	5	Disables the device. No isolated output supply generated.	B
CLK	6	With CLK stuck low, external clock synchronization functionality is disabled.	B

**Table 4-3. Pin FMA for Device Pins Open-Circuited**

Pin Name	Pin No.	Description of Potential Failure Effect(s)	Failure Effect Class
D1	1	With D1 open, one primary transformer winding does not store energy. Isolated output supply out of intended set-point.	B
V <sub>CC</sub>	2	No power to device, so no switching action of D1/D2. Isolated output voltage does not build up.	B
D2	3	With D2 open, one primary transformer winding does not store energy. Isolated output supply out of intended set-point.	B
GND	4	No power to device, so no switching action of D1/D2. Isolated output voltage does not build up.	B
EN	5	Disables the device. No isolated output supply generated.	B
CLK	6	With CLK pin open, external clock synchronization functionality is lost.	B

**Table 4-4. Pin FMA for Device Pins Short-Circuited to Adjacent Pin**

Pin Name	Pin No.	Shorted to	Description of Potential Failure Effect(s)	Failure Effect Class
D1	1	V <sub>CC</sub>	D1 stuck high. Makes potential difference between one transformer winding zero. When D1 FET switches on, high current flows from supply to ground. Isolated output supply out of intended set-point.	A
V <sub>CC</sub>	2	D2	D2 stuck high. Makes potential difference between one transformer winding zero. When D2 FET switches on, high current flows from supply to ground. Isolated output supply out of intended set-point.	A
D2	3	GND	Not considered. Corner pin.	D
GND	4	EN	EN stuck low. Disables the device. No isolated output supply generated.	B
EN	5	CLK	If EN is tied high on PCB, external clock synchronization functionality is lost.	B
CLK	6	D1	Not considered. Corner pin.	D

**Table 4-5. Pin FMA for Device Pins Short-Circuited to supply**

Pin Name	Pin No.	Description of Potential Failure Effect(s)	Failure Effect Class
D1	1	D1 stuck high. Makes potential difference between one transformer winding zero. When D1 FET switches on, high current flows from supply to ground. Isolated output supply out of intended set-point.	A
V <sub>CC</sub>	2	No effect. Normal operation.	D
D2	3	D2 stuck high. Makes potential difference between one transformer winding zero. When D2 FET switches on, high current flows from supply to ground. Isolated output supply out of intended set-point.	A
GND	4	No power to device, so no switching action of D1/D2. Isolated output voltage does not build up.	B
EN	5	With EN stuck high, functionality to disable the device lost.	B
CLK	6	With CLK stuck high, functionality to synchronize with external clock lost.	B

## IMPORTANT NOTICE AND DISCLAIMER

TI PROVIDES TECHNICAL AND RELIABILITY DATA (INCLUDING DATASHEETS), DESIGN RESOURCES (INCLUDING REFERENCE DESIGNS), APPLICATION OR OTHER DESIGN ADVICE, WEB TOOLS, SAFETY INFORMATION, AND OTHER RESOURCES "AS IS" AND WITH ALL FAULTS, AND DISCLAIMS ALL WARRANTIES, EXPRESS AND IMPLIED, INCLUDING WITHOUT LIMITATION ANY IMPLIED WARRANTIES OF MERCHANTABILITY, FITNESS FOR A PARTICULAR PURPOSE OR NON-INFRINGEMENT OF THIRD PARTY INTELLECTUAL PROPERTY RIGHTS.

These resources are intended for skilled developers designing with TI products. You are solely responsible for (1) selecting the appropriate TI products for your application, (2) designing, validating and testing your application, and (3) ensuring your application meets applicable standards, and any other safety, security, or other requirements. These resources are subject to change without notice. TI grants you permission to use these resources only for development of an application that uses the TI products described in the resource. Other reproduction and display of these resources is prohibited. No license is granted to any other TI intellectual property right or to any third party intellectual property right. TI disclaims responsibility for, and you will fully indemnify TI and its representatives against, any claims, damages, costs, losses, and liabilities arising out of your use of these resources.

TI's products are provided subject to TI's Terms of Sale ([www.ti.com/legal/termsofsale.html](http://www.ti.com/legal/termsofsale.html)) or other applicable terms available either on [ti.com](http://ti.com) or provided in conjunction with such TI products. TI's provision of these resources does not expand or otherwise alter TI's applicable warranties or warranty disclaimers for TI products.

Mailing Address: Texas Instruments, Post Office Box 655303, Dallas, Texas 75265  
Copyright © 2020, Texas Instruments Incorporated