

UCC27524A-Q1 Functional Safety FIT Rate, FMD and Pin FMA



Table of Contents

1 Overview	2
2 Functional Safety Failure In Time (FIT) Rates	3
2.1 SOIC Package.....	3
2.2 HVSSOP Package.....	3
3 Failure Mode Distribution (FMD)	5
4 Pin Failure Mode Analysis (Pin FMA)	6
4.1 SOIC Package.....	6
4.2 HVSSOP Package.....	7
5 Revision History	9

Trademarks

All trademarks are the property of their respective owners.

1 Overview

This document contains information for UCC27524A-Q1 (SOIC and HVSSOP package) to aid in a functional safety system design. Information provided are:

- Functional safety failure in time (FIT) rates of the semiconductor component estimated by the application of industry reliability standards
- Component failure modes and their distribution (FMD) based on the primary function of the device
- Pin failure mode analysis (pin FMA)

Figure 1-1 shows the device functional block diagram for reference.

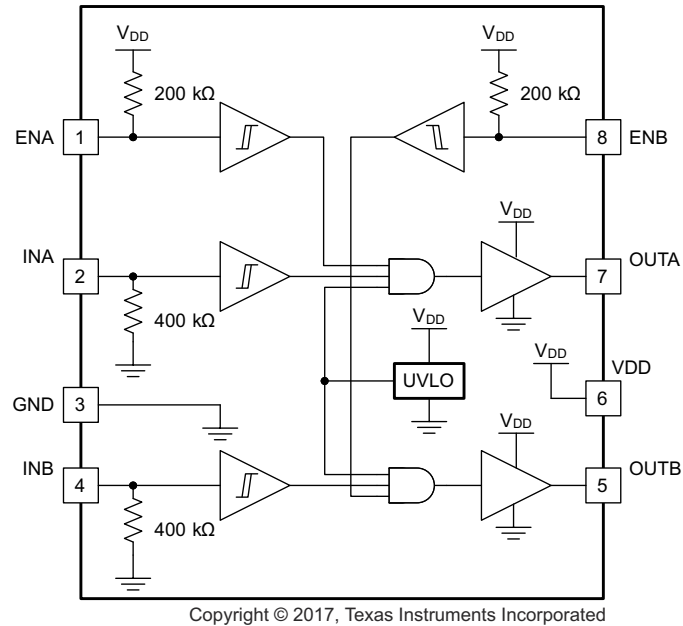


Figure 1-1. Functional Block Diagram

UCC27524A-Q1 was developed using a quality-managed development process, but was not developed in accordance with the IEC 61508 or ISO 26262 standards.

2 Functional Safety Failure In Time (FIT) Rates

2.1 SOIC Package

This section provides functional safety failure in time (FIT) rates for SOIC package of UCC27524A-Q1 based on two different industry-wide used reliability standards:

- [Table 2-1](#) provides FIT rates based on IEC TR 62380 / ISO 26262 part 11
- [Table 2-2](#) provides FIT rates based on the Siemens Norm SN 29500-2

Table 2-1. Component Failure Rates per IEC TR 62380 / ISO 26262 Part 11

FIT IEC TR 62380 / ISO 26262	FIT (Failures Per 10 ⁹ Hours)
Total component FIT rate	7
Die FIT rate	3
Package FIT rate	4

The failure rate and mission profile information in [Table 2-1](#) comes from the reliability data handbook IEC TR 62380 / ISO 26262 part 11:

- Mission profile: Motor control from table 11
- Power dissipation: 100mW
- Climate type: World-wide table 8
- Package factor (lambda 3): Table 17b
- Substrate material: FR4
- EOS FIT rate assumed: 0 FIT

Table 2-2. Component Failure Rates per Siemens Norm SN 29500-2

Table	Category	Reference FIT Rate	Reference Virtual T _J
5	CMOS, BICMOS Digital, analog or mixed	20 FIT	55°C

The reference FIT rate and reference virtual T_J (junction temperature) in [Table 2-2](#) come from the Siemens Norm SN 29500-2 tables 1 through 5. Failure rates under operating conditions are calculated from the reference failure rate and virtual junction temperature using conversion information in SN 29500-2 section 4.

2.2 HVSSOP Package

This section provides functional safety failure in time (FIT) rates for HVSSOP package of UCC27524A-Q1 based on two different industry-wide used reliability standards:

- [Table 2-3](#) provides FIT rates based on IEC TR 62380 / ISO 26262 part 11
- [Table 2-4](#) provides FIT rates based on the Siemens Norm SN 29500-2

Table 2-3. Component Failure Rates per IEC TR 62380 / ISO 26262 Part 11

FIT IEC TR 62380 / ISO 26262	FIT (Failures Per 10 ⁹ Hours)
Total component FIT rate	7
Die FIT rate	3
Package FIT rate	4

The failure rate and mission profile information in [Table 2-3](#) comes from the reliability data handbook IEC TR 62380 / ISO 26262 part 11:

- Mission profile: Motor control from table 11
- Power dissipation: 100mW
- Climate type: World-wide table 8
- Package factor (lambda 3): Table 17b
- Substrate material: FR4
- EOS FIT rate assumed: 0 FIT

Table 2-4. Component Failure Rates per Siemens Norm SN 29500-2

Table	Category	Reference FIT Rate	Reference Virtual T _J
5	CMOS, BICMOS Digital, analog or mixed	20 FIT	55°C

The reference FIT rate and reference virtual T_J (junction temperature) in [Table 2-4](#) come from the Siemens Norm SN 29500-2 tables 1 through 5. Failure rates under operating conditions are calculated from the reference failure rate and virtual junction temperature using conversion information in SN 29500-2 section 4.

3 Failure Mode Distribution (FMD)

The failure mode distribution estimation for UCC27524A-Q1 in [Table 3-1](#) comes from the combination of common failure modes listed in standards such as IEC 61508 and ISO 26262, the ratio of sub-circuit function size and complexity and from best engineering judgment.

The failure modes listed in this section reflect random failure events and do not include failures due to misuse or overstress.

Table 3-1. Die Failure Modes and Distribution

Die Failure Modes	Failure Mode Distribution (%)
OUTA stuck high	16.6
OUTA stuck low	16.6
OUTA unknown	16.6
OUTB stuck high	16.6
OUTB stuck low	16.6
OUTB unknown	16.6
UVLO not working	<1
ENA or ENB not working	<1

4 Pin Failure Mode Analysis (Pin FMA)

This section provides a failure mode analysis (FMA) for the pins of the UCC27524A-Q1 (SOIC and HVSSOP package). The failure modes covered in this document include the typical pin-by-pin failure scenarios:

- Pin short-circuited to ground (see [Table 4-2](#) and [Table 4-6](#))
- Pin open-circuited (see [Table 4-3](#) and [Table 4-7](#))
- Pin short-circuited to an adjacent pin (see [Table 4-4](#) and [Table 4-8](#))
- Pin short-circuited to supply (see [Table 4-5](#) and [Table 4-9](#))

[Table 4-2](#) through [Table 4-9](#) also indicate how these pin conditions can affect the device as per the failure effects classification in [Table 4-1](#).

Table 4-1. TI Classification of Failure Effects

Class	Failure Effects
A	Potential device damage that affects functionality.
B	No device damage, but loss of functionality.
C	No device damage, but performance degradation.
D	No device damage, no impact to functionality or performance.

Following are the assumptions of use and the device configuration assumed for the pin FMA in this section:

- Adjacent pin short across the package is not considered. Pin 4 to Pin 5. Pin 1 to Pin 8
- Short to positive supply cases. The positive supply is VDD.

4.1 SOIC Package

[Figure 4-1](#) shows the UCC27524A-Q1 pin diagram for the SOIC package. For a detailed description of the device pins please refer to the *Pin Configuration and Functions* section in the UCC27524A-Q1 data sheet.

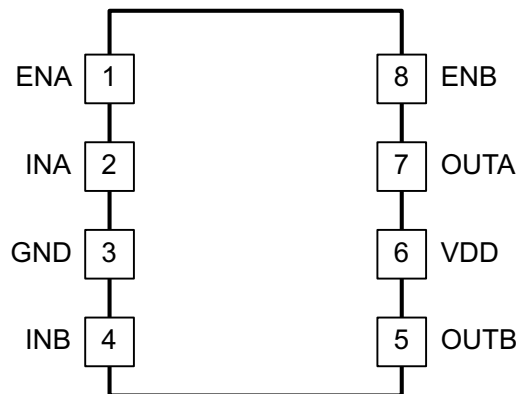


Figure 4-1. Pin Diagram (SOIC) Package Topview

Table 4-2. Pin FMA for Device Pins Short-Circuited to Ground

Pin Name	Pin No.	Description of Potential Failure Effects	Failure Effect Class
ENA	1	OUTA stuck low.	B
INA	2	OUTA stuck low	B
GND	3	No effect.	D
INB	4	OUTB stuck low.	B
OUTB	5	OUTB stuck low. Device can be damaged.	A
VDD	6	No power is applied to the device.	D
OUTA	7	OUTA stuck low. Device can be damaged.	A
ENB	8	OUTB stuck low.	B

Table 4-3. Pin FMA for Device Pins Open-Circuited

Pin Name	Pin No.	Description of Potential Failure Effects	Failure Effect Class
ENA	1	OUTA is enabled. OUTA follows INA command.	B
INA	2	OUTA stuck low.	B
GND	3	No power is applied to the device. OUTA and OUTB pulled up to VDD.	D
INB	4	OUTB stuck low.	B
OUTB	5	No effect. OUTB is disconnected from the gate of power stage.	D
VDD	6	No power is applied to the device.	D
OUTA	7	No effect. OUTA is disconnected from the gate of power stage.	B
ENB	8	OUTB is enabled. OUTB follows INB command.	B

Table 4-4. Pin FMA for Device Pins Short-Circuited to Adjacent Pin

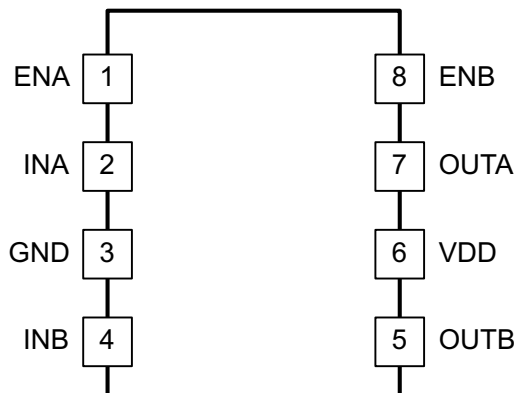
Pin Name	Pin No.	Shorted to	Description of Potential Failure Effects	Failure Effect Class
ENA	1	INA	Lose ENA disabling control of OUTA.	B
INA	2	GND	OUTA stuck low.	B
GND	3	INB	OUTB stuck low	B
OUTB	5	VDD	OUTB stuck high. Device can be damaged.	A
VDD	6	OUTA	OUTA stuck high. Device can be damaged.	A
OUTA	7	ENB	OUTA unknown. Device can be damaged.	A

Table 4-5. Pin FMA for Device Pins Short-Circuited to Supply

Pin Name	Pin No.	Description of Potential Failure Effects	Failure Effect Class
ENA	1	OUTA is enabled. OUTA follows INA command.	B
INA	2	OUTA is stuck high. Device may be damaged.	A
GND	3	No power is applied to the device.	D
INB	4	OUTB is stuck high.	B
OUTB	5	OUTB is stuck high. Device can be damaged.	A
VDD	6	No effect.	D
OUTA	7	OUTA is stuck high. Device can be damaged.	A
ENB	8	OUTB is enabled. OUTB follows INB command.	D

4.2 HVSSOP Package

Figure 4-2 shows the UCC27524A-Q1 pin diagram for the HVSSOP package. For a detailed description of the device pins please refer to the *Pin Configuration and Functions* section in the UCC27524A-Q1 data sheet.


Figure 4-2. Pin Diagram (HVSSOP Package Topview)
Table 4-6. Pin FMA for Device Pins Short-Circuited to Ground

Pin Name	Pin No.	Description of Potential Failure Effects	Failure Effect Class
ENA	1	OUTA stuck low.	B
INA	2	OUTA stuck low	B
GND	3	No effect.	D
INB	4	OUTB stuck low.	B
OUTB	5	OUTB stuck low. Device can be damaged.	A
VDD	6	No power is applied to the device.	D
OUTA	7	OUTA stuck low. Device can be damaged.	A
ENB	8	OUTB stuck low.	B

Table 4-7. Pin FMA for Device Pins Open-Circuited

Pin Name	Pin No.	Description of Potential Failure Effects	Failure Effect Class
ENA	1	OUTA is enabled. OUTA follows INA command.	B
INA	2	OUTA stuck low.	B
GND	3	No power is applied to the device. OUTA and OUTB pulled up to VDD.	D
INB	4	OUTB stuck low.	B
OUTB	5	No effect. OUTB is disconnected from the gate of power stage.	D
VDD	6	No power is applied to the device.	D
OUTA	7	No effect. OUTA is disconnected from the gate of power stage.	B
ENB	8	OUTB is enabled. OUTB follows INB command.	B

Table 4-8. Pin FMA for Device Pins Short-Circuited to Adjacent Pin

Pin Name	Pin No.	Shorted to	Description of Potential Failure Effects	Failure Effect Class
ENA	1	INA	Lose ENA disabling control of OUTA.	B
INA	2	GND	OUTA stuck low.	B
GND	3	INB	OUTB stuck low	B
OUTB	5	VDD	OUTB stuck high. Device can be damaged.	A
VDD	6	OUTA	OUTA stuck high. Device can be damaged.	A
OUTA	7	ENB	OUTA unknown. Device can be damaged.	A

Table 4-9. Pin FMA for Device Pins Short-Circuited to Supply

Pin Name	Pin No.	Description of Potential Failure Effects	Failure Effect Class
ENA	1	OUTA is enabled. OUTA follows INA command.	B
INA	2	OUTA is stuck high. Device can be damaged.	A
GND	3	No power is applied to the device.	D
INB	4	OUTB is stuck high.	B
OUTB	5	OUTB is stuck high. Device can be damaged.	A
VDD	6	No effect.	D
OUTA	7	OUTA is stuck high. Device can be damaged.	A
ENB	8	OUTB is enabled. OUTB follows INB command.	D

5 Revision History

NOTE: Page numbers for previous revisions may differ from page numbers in the current version.

Changes from Revision * (June 2022) to Revision A (September 2024)	Page
• Changed all device number occurrences from UCC27524-Q1 to UCC27524A-Q1.....	2

IMPORTANT NOTICE AND DISCLAIMER

TI PROVIDES TECHNICAL AND RELIABILITY DATA (INCLUDING DATA SHEETS), DESIGN RESOURCES (INCLUDING REFERENCE DESIGNS), APPLICATION OR OTHER DESIGN ADVICE, WEB TOOLS, SAFETY INFORMATION, AND OTHER RESOURCES "AS IS" AND WITH ALL FAULTS, AND DISCLAIMS ALL WARRANTIES, EXPRESS AND IMPLIED, INCLUDING WITHOUT LIMITATION ANY IMPLIED WARRANTIES OF MERCHANTABILITY, FITNESS FOR A PARTICULAR PURPOSE OR NON-INFRINGEMENT OF THIRD PARTY INTELLECTUAL PROPERTY RIGHTS.

These resources are intended for skilled developers designing with TI products. You are solely responsible for (1) selecting the appropriate TI products for your application, (2) designing, validating and testing your application, and (3) ensuring your application meets applicable standards, and any other safety, security, regulatory or other requirements.

These resources are subject to change without notice. TI grants you permission to use these resources only for development of an application that uses the TI products described in the resource. Other reproduction and display of these resources is prohibited. No license is granted to any other TI intellectual property right or to any third party intellectual property right. TI disclaims responsibility for, and you will fully indemnify TI and its representatives against, any claims, damages, costs, losses, and liabilities arising out of your use of these resources.

TI's products are provided subject to [TI's Terms of Sale](#) or other applicable terms available either on [ti.com](https://www.ti.com) or provided in conjunction with such TI products. TI's provision of these resources does not expand or otherwise alter TI's applicable warranties or warranty disclaimers for TI products.

TI objects to and rejects any additional or different terms you may have proposed.

Mailing Address: Texas Instruments, Post Office Box 655303, Dallas, Texas 75265
Copyright © 2024, Texas Instruments Incorporated