

# LMR50410 Functional Safety FIT Rate, FMD and Pin FMA



## Table of Contents

1 Overview.....	2
2 Failure Mode Distribution (FMD) .....	3
3 Functional Safety Failure In Time (FIT) Rates.....	4
4 Pin Failure Mode Analysis (Pin FMA).....	5

### Trademarks

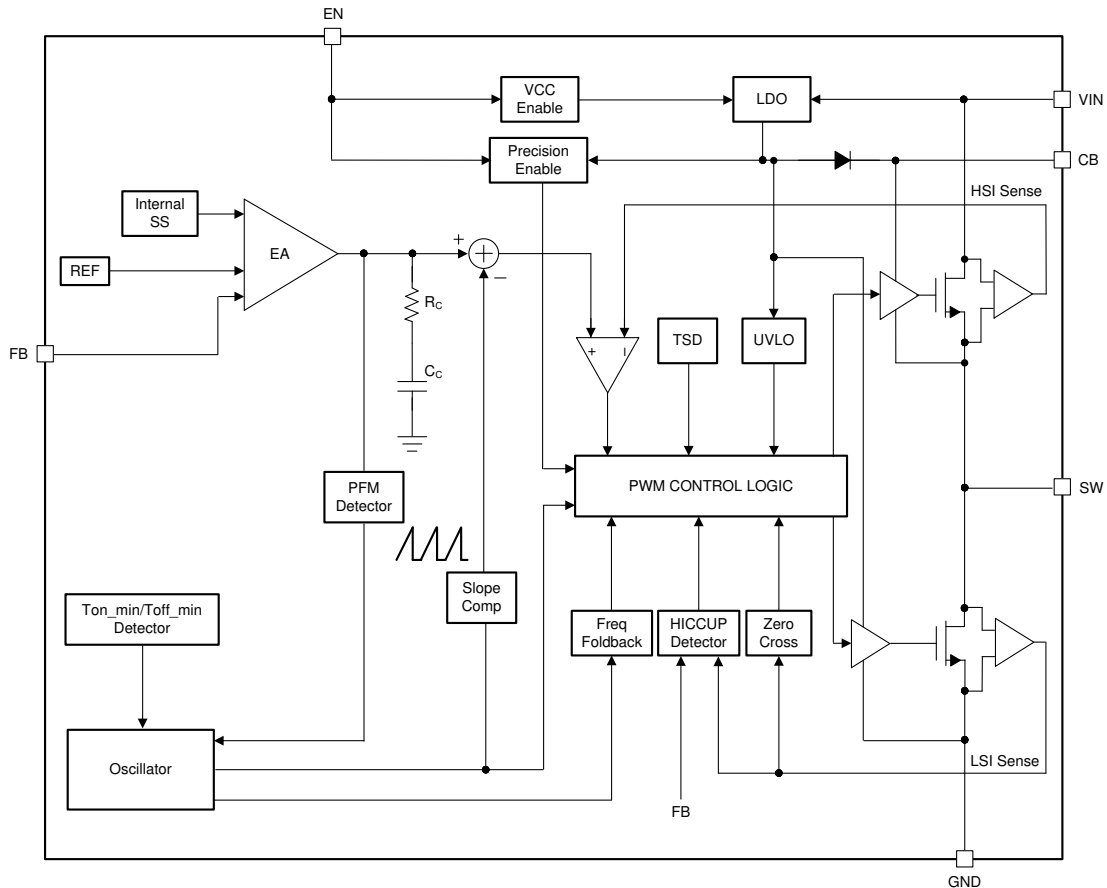
All other trademarks are the property of their respective owners.

## 1 Overview

This document contains information for the LMR50410 in the SOT-23-6 package to aid in a functional safety system design. Information provided are:

- Functional Safety Failure In Time (FIT) rates of the semiconductor component estimated by the application of industry reliability standards
- Component failure modes and their distribution (FMD) based on the primary function of the device
- Pin failure mode analysis (Pin FMA)

Figure 1-1 shows the device functional block diagram for reference.



**Figure 1-1. Functional Block Diagram**

LMR50410 was developed using a quality-managed development process, but was not developed in accordance with the IEC 61508 or ISO 26262 standards.

## 2 Failure Mode Distribution (FMD)

The failure mode distribution estimation for LMR50410 in [Table 2-1](#) comes from the combination of common failure modes listed in standards such as IEC 61508 and ISO 26262, the ratio of sub-circuit function size and complexity are from best engineering judgment.

The failure modes listed in this section reflect random failure events and do not include failures due to misuse or overstress.

**Table 2-1. Die Failure Modes and Distribution**

Die Failure Modes	Failure Mode Distribution (%)
SW Output	50%
SW output not in specification -- voltage or timing	45%
SW driver FET suck on	5%

### 3 Functional Safety Failure In Time (FIT) Rates

This section provides Functional Safety Failure In Time (FIT) rates for the LMR50410 based on the following industry-wide used reliability standards:

- [Table 3-1](#) provides FIT rates based on IEC TR 62380 / ISO 26262 part 11

**Table 3-1. Component Failure Rates per IEC TR 62380 / ISO 26262 Part 11**

FIT IEC TR 62380 / ISO 26262	FIT (Failures Per 10 <sup>9</sup> Hours)
Total Component FIT Rate	13
Die FIT Rate	10
Package FIT Rate	3

The failure rate and mission profile information in [Table 3-1](#) comes from the Reliability data handbook IEC TR 62380 / ISO 26262 part 11:

- Mission Profile: Motor Control from Table 11
- Power dissipation: 250 mW
- Climate type: World-wide Table 8
- Package factor ( $\lambda_3$ ): Table 17b
- Substrate Material: FR4
- EOS FIT rate assumed: 0 FIT

## 4 Pin Failure Mode Analysis (Pin FMA)

This section provides a Failure Mode Analysis (FMA) for the pins of the LMR50410. The failure modes covered in this document include the typical pin-by-pin failure scenarios:

- Pin short-circuited to Ground (see [Table 4-2](#))
- Pin open-circuited (see [Table 4-3](#))
- Pin short-circuited to an adjacent pin (see [Table 4-4](#))
- Pin short-circuited to VIN (see [Table 4-5](#))

[Table 4-2](#) through [Table 4-5](#) also indicate how these pin conditions can affect the device as per the failure effects classification in [Table 4-1](#).

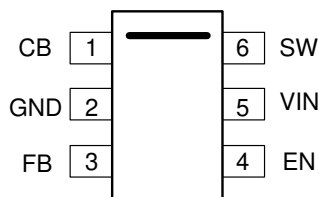
**Table 4-1. TI Classification of Failure Effects**

Class	Failure Effects
A	Potential device damage that affects functionality
B	No device damage, but loss of functionality
C	No device damage, but performance degradation
D	No device damage, no impact to functionality or performance

Following are the assumptions of use and the device configuration assumed for the pin FMA in this section:

- Device used within the '*Recommended Operating Conditions*' and the '*Absolute Maximum Ratings*' found in the appropriate device data sheet.
- Configuration as shown in the '*Example Application Circuit*' found in the appropriate device data sheet.

[Figure 4-1](#) shows the LMR50410 pin diagram for the SOT-23-6 package. For a detailed description of the device pins please refer to the '*Pin Configuration and Functions*' section in the appropriate device data sheet.



**Figure 4-1. Pin Diagram**

**Table 4-2. Pin FMA for Device Pins Short-Circuited to Ground**

Pin Name	Pin No.	Description of Potential Failure Effect(s)	Failure Effect Class
CB	1	No output voltage	B
GND	2	Normal Operation	D
FB	3	The regulator will operate at maximum duty cycle. Output voltage will rise to nearly the input voltage (VIN) level. Possible damage to customer load and/or output stage components may occur. No effect on device.	B
EN	4	Loss of ENABLE functionality Device will remain in shut-down mode.	B
VIN	5	Device will not operate. No output voltage will be generated. Output capacitors will discharge through input short. Large reverse current may damage device.	A
SW	6	Damage to internal FET.	A

**Table 4-3. Pin FMA for Device Pins Open-Circuited**

Pin Name	Pin No.	Description of Potential Failure Effect(s)	Failure Effect Class
CB	1	No output voltage	B
GND	2	VOUT might be abnormal due to switching noise on analog circuits	B
FB	3	VOUT will be higher than programmed output voltage.	B
EN	4	Loss of ENABLE functionality. Erratic operation; probable loss of regulation.	B
VIN	5	No output voltage	B
SW	6	No output voltage	B

**Table 4-4. Pin FMA for Device Pins Short-Circuited to Adjacent Pin**

Pin Name	Pin No.	Shorted to	Description of Potential Failure Effect(s)	Failure Effect Class
CB	1	GND	No output voltage	B
GND	2	FB	The regulator will operate at maximum duty cycle. Output voltage will rise to nearly the input voltage (VIN) level. Possible damage to customer load and/or output stage components may occur. No effect on device.	B
FB	3	GND	The regulator will operate at maximum duty cycle. Output voltage will rise to nearly the input voltage (VIN) level. Possible damage to customer load and/or output stage components may occur. No effect on device.	B
EN	4	VIN	No damage to device. Loss of ENABLE functionality.	B
VIN	5	SW	Damage to internal FET.	A
SW	6	VIN	Damage to internal FET.	A

**Table 4-5. Pin FMA for Device Pins Short-Circuited to VIN**

Pin Name	Pin No.	Description of Potential Failure Effect(s)	Failure Effect Class
CB	1	No output voltage. CBOOT ESD clamp will run current to destruction.	A
GND	2	No output voltage. Damage to other pins referred to GND.	A
FB	3	If VIN exceeds 16V damage will occur. No output voltage.	A
EN	4	No damage to device. Loss of ENABLE functionality.	B
VIN	5	No effect	D
SW	6	internal FET.	A

## IMPORTANT NOTICE AND DISCLAIMER

TI PROVIDES TECHNICAL AND RELIABILITY DATA (INCLUDING DATA SHEETS), DESIGN RESOURCES (INCLUDING REFERENCE DESIGNS), APPLICATION OR OTHER DESIGN ADVICE, WEB TOOLS, SAFETY INFORMATION, AND OTHER RESOURCES "AS IS" AND WITH ALL FAULTS, AND DISCLAIMS ALL WARRANTIES, EXPRESS AND IMPLIED, INCLUDING WITHOUT LIMITATION ANY IMPLIED WARRANTIES OF MERCHANTABILITY, FITNESS FOR A PARTICULAR PURPOSE OR NON-INFRINGEMENT OF THIRD PARTY INTELLECTUAL PROPERTY RIGHTS.

These resources are intended for skilled developers designing with TI products. You are solely responsible for (1) selecting the appropriate TI products for your application, (2) designing, validating and testing your application, and (3) ensuring your application meets applicable standards, and any other safety, security, regulatory or other requirements.

These resources are subject to change without notice. TI grants you permission to use these resources only for development of an application that uses the TI products described in the resource. Other reproduction and display of these resources is prohibited. No license is granted to any other TI intellectual property right or to any third party intellectual property right. TI disclaims responsibility for, and you will fully indemnify TI and its representatives against, any claims, damages, costs, losses, and liabilities arising out of your use of these resources.

TI's products are provided subject to [TI's Terms of Sale](#) or other applicable terms available either on [ti.com](http://ti.com) or provided in conjunction with such TI products. TI's provision of these resources does not expand or otherwise alter TI's applicable warranties or warranty disclaimers for TI products.

TI objects to and rejects any additional or different terms you may have proposed.

Mailing Address: Texas Instruments, Post Office Box 655303, Dallas, Texas 75265  
Copyright © 2021, Texas Instruments Incorporated