



Anand Gopalan

Table of Contents

| | |
|--|---|
| 1 Overview | 2 |
| 2 Functional Safety Failure In Time (FIT) Rates | 4 |
| 3 Failure Mode Distribution (FMD) | 5 |
| 4 Pin Failure Mode Analysis (Pin FMA) | 6 |
| 4.1 DRV8873H-Q1 (HW variant)..... | 6 |
| 4.2 DRV8873S-Q1 (SPI variant)..... | 9 |

Trademarks

All trademarks are the property of their respective owners.

DRAFT ONLY
TI Confidential – NDA Restrictions

1 Overview

This document contains information for DRV8873H-Q1 (HTSSOP(24) package, HW variant) and DRV8873S-Q1 (HTSSOP(24) package, SPI variant) to aid in a functional safety system design. Information provided are:

- Functional Safety Failure In Time (FIT) rates of the semiconductor component estimated by the application of industry reliability standards
- Component failure modes and their distribution (FMD) based on the primary function of the device
- Pin failure mode analysis (Pin FMA)

DRV8873-Q1 was developed using a quality-managed development process, but was not developed in accordance with the IEC 61508 or ISO 26262 standards.

Figure 1-1 shows the functional block diagram for the HW variant of this device as a reference.

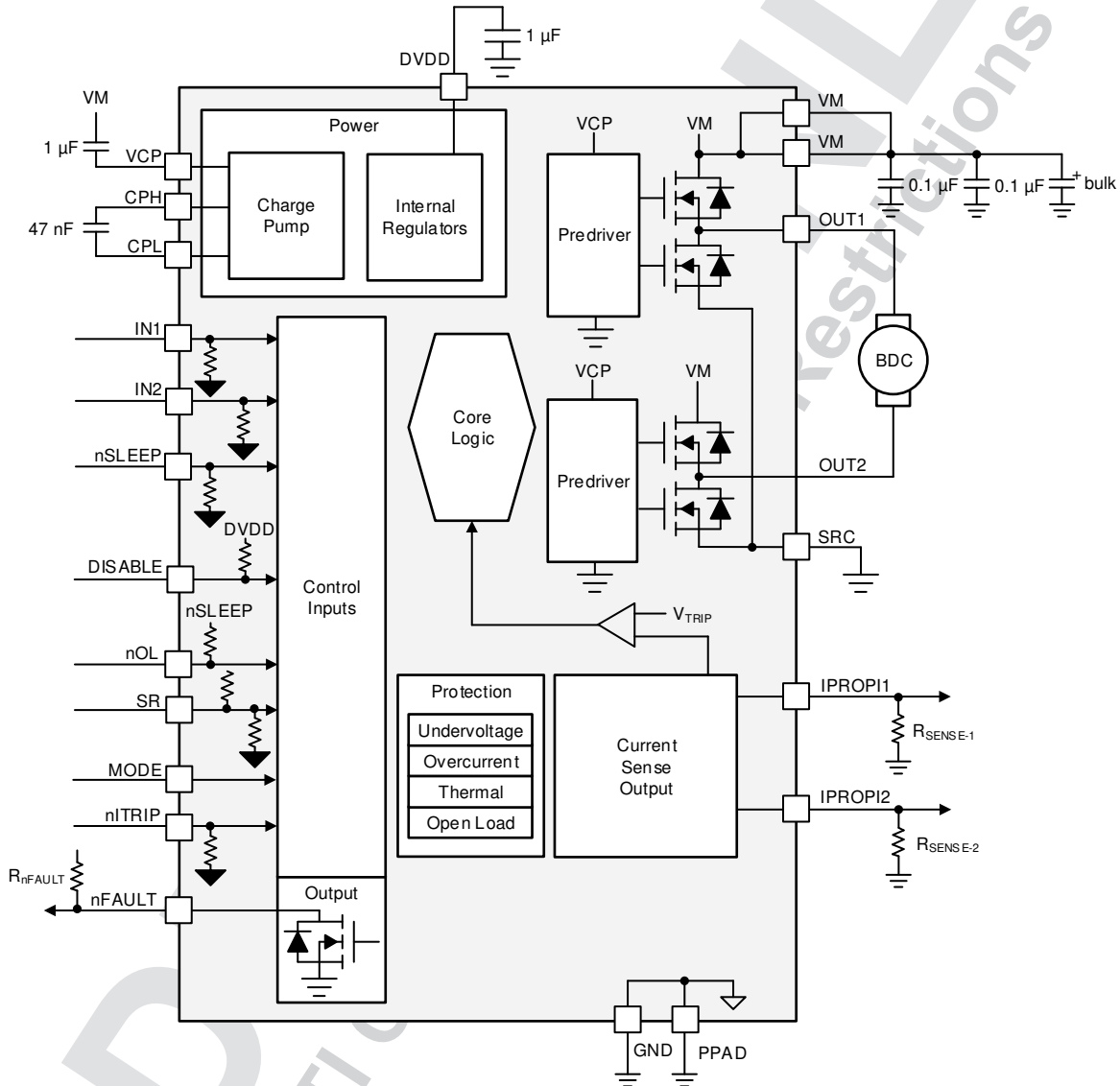


Figure 1-1. DRV8873H-Q1 Device Block Diagram - HW variant

Figure 1-2 shows the functional block diagram for the HW variant of this device as a reference.

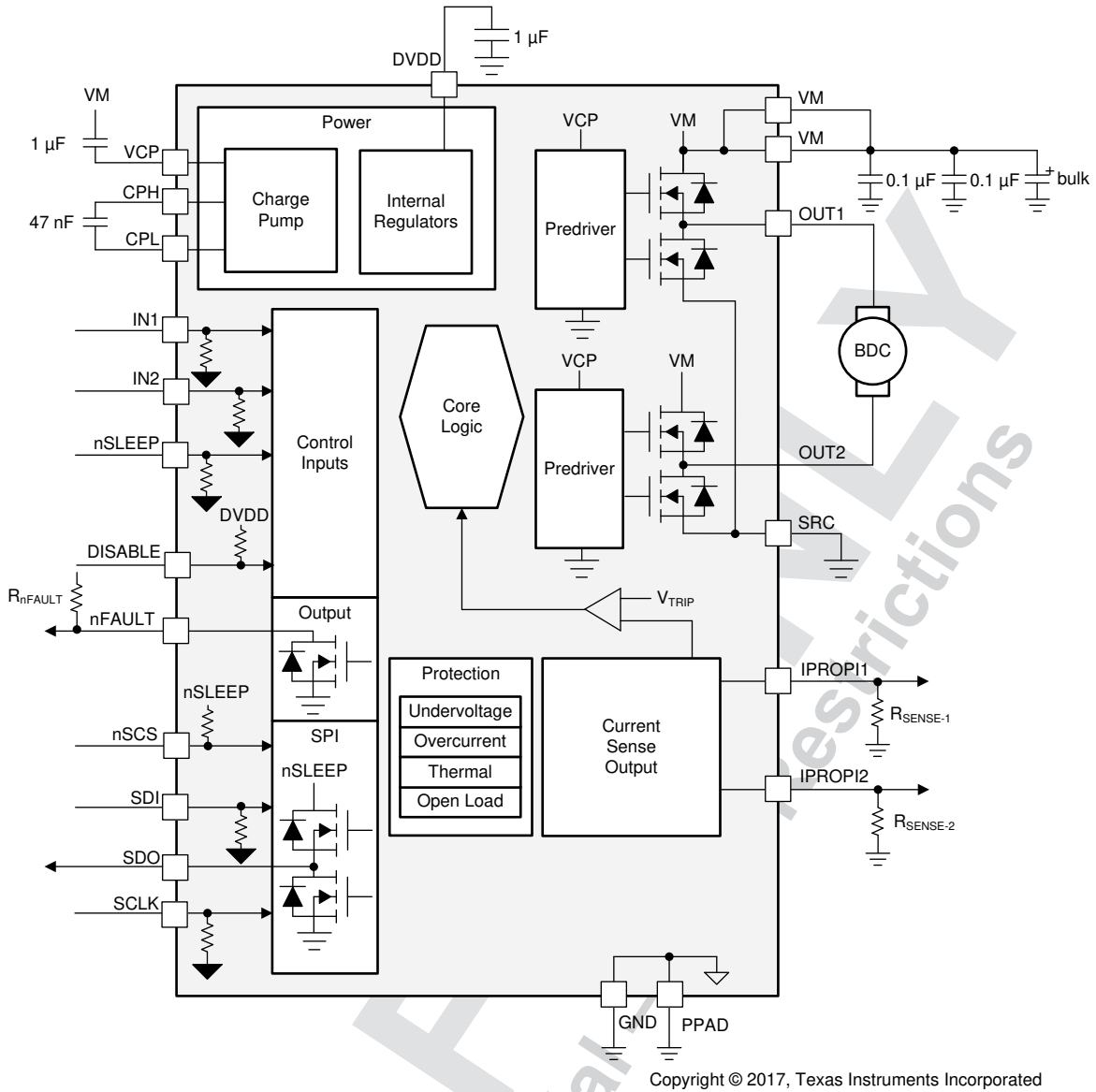


Figure 1-2. DRV8873S-Q1 Device Block Diagram - SPI variant

2 Functional Safety Failure In Time (FIT) Rates

This section provides Functional Safety Failure In Time (FIT) rates for DRV8873-Q1 (common for both variants) based on two different industry-wide used reliability standards:

- [Table 2-1](#) provides FIT rates based on IEC TR 62380 / ISO 26262 part 11
- [Table 2-2](#) provides FIT rates based on the Siemens Norm SN 29500-2

Table 2-1. Component Failure Rates per IEC TR 62380 / ISO 26262 Part 11

| FIT IEC TR 62380 / ISO 26262 | FIT (Failures Per 10 ⁹ Hours) |
|------------------------------|--|
| Total Component FIT Rate | 24 |
| Die FIT Rate | 8 |
| Package FIT Rate | 16 |

The failure rate and mission profile information in [Table 2-1](#) comes from the Reliability data handbook IEC TR 62380 / ISO 26262 part 11:

- Mission Profile: Motor Control from Table 11
- Power dissipation: **1.15 W**
- Climate type: World-wide Table 8
- Package factor (lambda 3): Table 17b
- Substrate Material: FR4
- EOS FIT rate assumed: 0 FIT

Table 2-2. Component Failure Rates per Siemens Norm SN 29500-2

| Table | Category | Reference FIT Rate | Reference Virtual T _J |
|-------|---|--------------------|----------------------------------|
| 5 | CMOS, BICMOS Digital, analog / mixed | 25 FIT | 55°C |

The Reference FIT Rate and Reference Virtual T_J (junction temperature) in [Table 2-2](#) come from the Siemens Norm SN 29500-2 tables 1 through 5. Failure rates under operating conditions are calculated from the reference failure rate and virtual junction temperature using conversion information in SN 29500-2 section 4.

3 Failure Mode Distribution (FMD)

The failure mode distribution estimation for DRV8873-Q1 in [Table 3-1](#) comes from the combination of common failure modes listed in standards such as IEC 61508 and ISO 26262, the ratio of sub-circuit function size and complexity and from best engineering judgment.

The failure modes listed in this section reflect random failure events and do not include failures due to misuse or overstress.

Table 3-1. Die Failure Modes and Distribution

| Die Failure Modes | Failure Mode Distribution (%) |
|---|-------------------------------|
| OUTx is stuck LOW when commanded OFF | 14% |
| OUTx is stuck OFF when commanded LOW | 8% |
| OUTx ON resistance too high when commanded LOW | 12% |
| Low side slew rate too fast or too slow | 5% |
| OUTx is stuck HIGH when commanded OFF | 14% |
| OUTx is stuck OFF when commanded HIGH | 8% |
| OUTx ON resistance too high when commanded HIGH | 17% |
| High side slew rate too fast or too slow | 5% |
| Dead-time is too short | 1% |
| Current sense feedback incorrect | 3% |
| ITRIP current regulation incorrect | 3% |
| Incorrect communication or fault indication | 10% |

DRAFT

TI Confidential – NDA Restrictions

4 Pin Failure Mode Analysis (Pin FMA)

This section provides a Failure Mode Analysis (FMA) for the pins of the DRV8873-Q1. The failure modes covered in this document include the typical pin-by-pin failure scenarios:

- Pin short-circuited to Ground (see [Table 4-2](#) for HW variant, see [Table 4-6](#) for SPI variant)
- Pin open-circuited (see [Table 4-3](#) for HW variant, see [Table 4-7](#) for SPI variant)
- Pin short-circuited to an adjacent pin (see [Table 4-4](#) for HW variant, see [Table 4-8](#) for SPI variant)
- Pin short-circuited to supply (see [Table 4-5](#) for HW variant, see [Table 4-9](#) for SPI variant)

[Table 4-2](#) through [Table 4-9](#) also indicate how these pin conditions can affect the device as per the failure effects classification in [Table 4-1](#).

Table 4-1. TI Classification of Failure Effects

| Class | Failure Effects |
|-------|---|
| A | Potential device damage that affects functionality |
| B | No device damage, but loss of functionality |
| C | No device damage, but performance degradation |
| D | No device damage, no impact to functionality or performance |

4.1 DRV8873H-Q1 (HW variant)

[Figure 4-1](#) shows the DRV8873H-Q1 pin diagram. For a detailed description of the device pins please refer to the 'Pin Configuration and Functions' section in the DRV8873-Q1 datasheet.

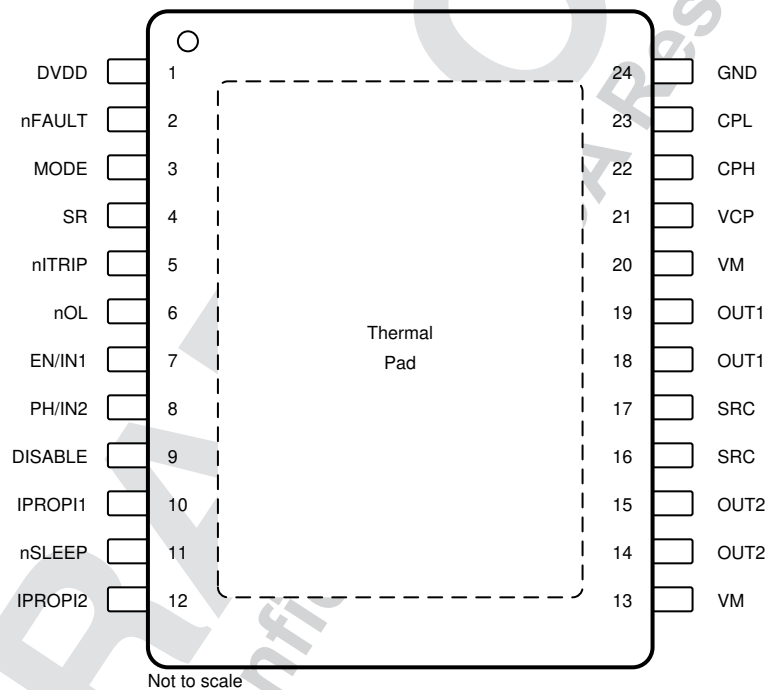


Figure 4-1. DRV8873H-Q1 Pin Diagram

Following are the assumptions of use and the device configuration assumed for the pin FMA in this section:

- The device is used with external components consistent with the values described in the external component table of the datasheet.

Table 4-2. HW variant - Pin FMA for Device Pins Short-Circuited to Ground

| Pin Name | Pin No. | Description of Potential Failure Effect(s) | Failure Effect Class |
|----------|---------|---|----------------------|
| DVDD | 1 | Device will not power on (OUTx remain HiZ) with higher current draw from VM | A |
| nFAULT | 2 | Device will always be signaling fault | B |

Table 4-2. HW variant - Pin FMA for Device Pins Short-Circuited to Ground (continued)

| Pin Name | Pin No. | Description of Potential Failure Effect(s) | Failure Effect Class |
|----------|---------|---|----------------------|
| MODE | 3 | Device Mode configuration may be misinterpreted | B |
| SR | 4 | Device SR configuration may be misinterpreted | B |
| nITRIP | 5 | Device nITRIP configuration may be misinterpreted | B |
| nOL | 6 | Device nOL configuration may be misinterpreted | B |
| EN/IN1 | 7 | OUTx driver control will be lost | B |
| PH/IN2 | 8 | OUTx driver control will be lost | B |
| DISABLE | 9 | OUTx driver control will be lost | B |
| IPROPI1 | 10 | Current sensing capability will be lost | B |
| nSLEEP | 11 | Device will be in sleep state with OUTx HiZ | B |
| IPROPI2 | 12 | Current sensing capability will be lost | B |
| VM | 13 | Device will not power up | B |
| OUT2 | 14 | OUTx HiZ, with device signaling fault | B |
| OUT2 | 15 | OUTx HiZ, with device signaling fault | B |
| SRC | 16 | Intended operation | D |
| SRC | 17 | Intended operation | D |
| OUT1 | 18 | OUTx HiZ, with device signaling fault | B |
| OUT1 | 19 | OUTx HiZ, with device signaling fault | B |
| VM | 20 | Device will not power up | B |
| VCP | 21 | Device will be damaged with higher current draw from VM | A |
| CPH | 22 | Device will be damaged with higher current draw from VM | A |
| CPL | 23 | Device will be damaged with higher current draw from VM | A |
| GND | 24 | Intended operation | D |

Table 4-3. HW variant - Pin FMA for Device Pins Open-Circuited

| Pin Name | Pin No. | Description of Potential Failure Effect(s) | Failure Effect Class |
|----------|---------|--|----------------------|
| DVDD | 1 | Internal regulator will become unstable | A |
| nFAULT | 2 | Fault signaling will be lost | B |
| MODE | 3 | Device Mode configuration may be misinterpreted | B |
| SR | 4 | Device SR configuration may be misinterpreted | B |
| nITRIP | 5 | Device nITRIP configuration may be misinterpreted | B |
| nOL | 6 | Device nOL configuration may be misinterpreted | B |
| EN/IN1 | 7 | OUTx driver control will be lost | B |
| PH/IN2 | 8 | OUTx driver control will be lost | B |
| DISABLE | 9 | OUTx driver control will be lost | B |
| IPROPI1 | 10 | Current sensing capability will be lost | B |
| nSLEEP | 11 | Device will be in sleep state with OUTx HiZ | B |
| IPROPI2 | 12 | Current sensing capability will be lost | B |
| VM | 13 | Device will not power up | B |
| OUT2 | 14 | OUTx impedance will be higher - device will not be able to drive the load properly | B |
| OUT2 | 15 | OUTx impedance will be higher - device will not be able to drive the load properly | B |
| SRC | 16 | OUTx impedance will be higher - device will not be able to drive the load properly | B |
| SRC | 17 | OUTx impedance will be higher - device will not be able to drive the load properly | B |

Table 4-3. HW variant - Pin FMA for Device Pins Open-Circuited (continued)

| Pin Name | Pin No. | Description of Potential Failure Effect(s) | Failure Effect Class |
|----------|---------|--|----------------------|
| OUT1 | 18 | OUTx impedance will be higher - device will not be able to drive the load properly | B |
| OUT1 | 19 | OUTx impedance will be higher - device will not be able to drive the load properly | B |
| VM | 20 | Device will not power up | B |
| VCP | 21 | OUTx HiZ, with device signaling fault | B |
| CPH | 22 | OUTx HiZ, with device signaling fault | B |
| CPL | 23 | OUTx HiZ, with device signaling fault | B |
| GND | 24 | Device will not power up | B |

Table 4-4. HW variant - Pin FMA for Device Pins Shorted to Adjacent Pin

| Pin Name | Pin No. | Shorted to Pin No. | Description of Potential Failure Effect(s) | Failure Effect Class |
|----------|---------|--------------------|---|----------------------|
| DVDD | 1 | 2 | Device will reset whenever nFAULT is asserted low | B |
| nFAULT | 2 | 3 | Device Mode configuration may be misinterpreted | B |
| MODE | 3 | 4 | Device Mode and/or SR configuration may be misinterpreted | B |
| SR | 4 | 5 | Device SR and/or nTRIP configuration may be misinterpreted | B |
| nTRIP | 5 | 6 | Device nTRIP and/or nOL configuration may be misinterpreted | B |
| nOL | 6 | 7 | Device nOL configuration may be misinterpreted | B |
| EN/IN1 | 7 | 8 | OUTx driver control will be lost | B |
| PH/IN2 | 8 | 9 | OUTx driver control will be lost | B |
| DISABLE | 9 | 10 | OUTx driver control and load current sensing will be lost | B |
| IPROPI1 | 10 | 11 | Current sensing capability will be lost | B |
| nSLEEP | 11 | 12 | Current sensing capability will be lost | B |
| IPROPI2 | 12 | 13 | Device will be damaged with higher current draw from VM | A |
| VM | 13 | 14 | OUTx HiZ with device signaling fault | B |
| OUT2 | 14 | 15 | Intended operation | D |
| OUT2 | 15 | 16 | OUTx HiZ, with device signaling fault | B |
| SRC | 16 | 17 | Intended operation | D |
| SRC | 17 | 18 | OUTx HiZ, with device signaling fault | B |
| OUT1 | 18 | 19 | Intended operation | D |
| OUT1 | 19 | 20 | OUTx HiZ with device signaling fault | B |
| VM | 20 | 21 | OUTx HiZ with device signaling fault | B |
| VCP | 21 | 22 | Device will be damaged with higher current draw from VM | A |
| CPH | 22 | 23 | Device will be damaged with higher current draw from VM | A |
| CPL | 23 | 24 | Device will be damaged with higher current draw from VM | A |

Table 4-5. HW variant - Pin FMA for Device Pins Shorted to VM (High Voltage Supply)

| Pin Name | Pin No. | Description of Potential Failure Effect(s) | Failure Effect Class |
|----------|---------|---|----------------------|
| DVDD | 1 | Device will be damaged with higher current draw from VM | A |
| nFAULT | 2 | Device will be damaged with higher current draw from VM | A |
| MODE | 3 | Device will be damaged with higher current draw from VM | A |
| SR | 4 | Device will be damaged with higher current draw from VM | A |
| nTRIP | 5 | Device will be damaged with higher current draw from VM | A |
| nOL | 6 | Device will be damaged with higher current draw from VM | A |
| EN/IN1 | 7 | Device will be damaged with higher current draw from VM | A |

Table 4-5. HW variant - Pin FMA for Device Pins Shorted to VM (High Voltage Supply) (continued)

| Pin Name | Pin No. | Description of Potential Failure Effect(s) | Failure Effect Class |
|----------|---------|---|----------------------|
| PH/IN2 | 8 | Device will be damaged with higher current draw from VM | A |
| DISABLE | 9 | Device will be damaged with higher current draw from VM | A |
| IPROPI1 | 10 | Device will be damaged with higher current draw from VM | A |
| nSLEEP | 11 | Device will be damaged with higher current draw from VM | A |
| IPROPI2 | 12 | Device will be damaged with higher current draw from VM | A |
| VM | 13 | Intended operation | D |
| OUT2 | 14 | OUTx HiZ with device signaling fault | B |
| OUT2 | 15 | OUTx HiZ with device signaling fault | B |
| SRC | 16 | Device will not power up | B |
| SRC | 17 | Device will not power up | B |
| OUT1 | 18 | OUTx HiZ with device signaling fault | B |
| OUT1 | 19 | OUTx HiZ with device signaling fault | B |
| VM | 20 | Intended operation | D |
| VCP | 21 | OUTx HiZ with device signaling fault | B |
| CPH | 22 | Device will be damaged with higher current draw from VM | A |
| CPL | 23 | Device will be damaged with higher current draw from VM | A |
| GND | 24 | Device will not power up | B |

4.2 DRV8873S-Q1 (SPI variant)

Figure 4-2 shows the DRV8873S-Q1 pin diagram. For a detailed description of the device pins please refer to the 'Pin Configuration and Functions' section in the DRV8873-Q1 datasheet.

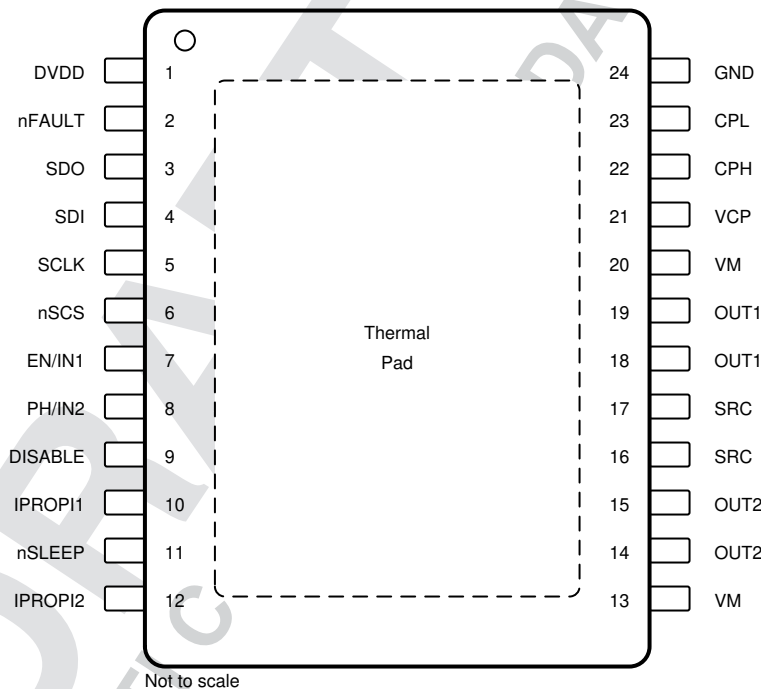


Figure 4-2. DRV8873S-Q1 Pin Diagram

Following are the assumptions of use and the device configuration assumed for the pin FMA in this section:

- The device is used with external components consistent with the values described in the external component table of the datasheet.

Table 4-6. SPI variant - Pin FMA for Device Pins Short-Circuited to Ground

| Pin Name | Pin No. | Description of Potential Failure Effect(s) | Failure Effect Class |
|----------|---------|---|----------------------|
| DVDD | 1 | Device will not power on (OUTx remain HiZ) with higher current draw from VM | A |
| nFAULT | 2 | Device will always be signaling fault | B |
| SDO | 3 | SPI read function will be non-functional | B |
| SDI | 4 | SPI read write functions will be non-functional | B |
| SCLK | 5 | SPI read write functions will be non-functional | B |
| nSCS | 6 | SPI read write functions will be non-functional | B |
| EN/IN1 | 7 | OUTx driver control will be lost | B |
| PH/IN2 | 8 | OUTx driver control will be lost | B |
| DISABLE | 9 | OUTx driver control will be lost | B |
| IPROPI1 | 10 | Current sensing capability will be lost | B |
| nSLEEP | 11 | Device will be in sleep state with OUTx HiZ | B |
| IPROPI2 | 12 | Current sensing capability will be lost | B |
| VM | 13 | Device will not power up | B |
| OUT2 | 14 | OUTx HiZ, with device signaling fault | B |
| OUT2 | 15 | OUTx HiZ, with device signaling fault | B |
| SRC | 16 | Intended operation | D |
| SRC | 17 | Intended operation | D |
| OUT1 | 18 | OUTx HiZ, with device signaling fault | B |
| OUT1 | 19 | OUTx HiZ, with device signaling fault | B |
| VM | 20 | Device will not power up | B |
| VCP | 21 | Device will be damaged with higher current draw from VM | A |
| CPH | 22 | Device will be damaged with higher current draw from VM | A |
| CPL | 23 | Device will be damaged with higher current draw from VM | A |
| GND | 24 | Intended operation | D |

Table 4-7. SPI variant - Pin FMA for Device Pins Open-Circuited

| Pin Name | Pin No. | Description of Potential Failure Effect(s) | Failure Effect Class |
|----------|---------|--|----------------------|
| DVDD | 1 | Internal regulator will become unstable | A |
| nFAULT | 2 | Fault signaling will be lost | B |
| SDO | 3 | SPI read function will be non-functional | B |
| SDI | 4 | SPI read write functions will be non-functional | B |
| SCLK | 5 | SPI read write functions will be non-functional | B |
| nSCS | 6 | SPI read write functions will be non-functional | B |
| EN/IN1 | 7 | OUTx driver control will be lost | B |
| PH/IN2 | 8 | OUTx driver control will be lost | B |
| DISABLE | 9 | OUTx driver control will be lost | B |
| IPROPI1 | 10 | Current sensing capability will be lost | B |
| nSLEEP | 11 | Device will be in sleep state with OUTx HiZ | B |
| IPROPI2 | 12 | Current sensing capability will be lost | B |
| VM | 13 | Device will not power up | B |
| OUT2 | 14 | OUTx impedance will be higher - device will not be able to drive the load properly | B |
| OUT2 | 15 | OUTx impedance will be higher - device will not be able to drive the load properly | B |
| SRC | 16 | OUTx impedance will be higher - device will not be able to drive the load properly | B |

Table 4-7. SPI variant - Pin FMA for Device Pins Open-Circuited (continued)

| Pin Name | Pin No. | Description of Potential Failure Effect(s) | Failure Effect Class |
|----------|---------|--|----------------------|
| SRC | 17 | OUTx impedance will be higher - device will not be able to drive the load properly | B |
| OUT1 | 18 | OUTx impedance will be higher - device will not be able to drive the load properly | B |
| OUT1 | 19 | OUTx impedance will be higher - device will not be able to drive the load properly | B |
| VM | 20 | Device will not power up | B |
| VCP | 21 | OUTx HiZ, with device signaling fault | B |
| CPH | 22 | OUTx HiZ, with device signaling fault | B |
| CPL | 23 | OUTx HiZ, with device signaling fault | B |
| GND | 24 | Device will not power up | B |

Table 4-8. SPI variant - Pin FMA for Device Pins Shorted to Adjacent Pin

| Pin Name | Pin No. | Shorted to Pin No. | Description of Potential Failure Effect(s) | Failure Effect Class |
|----------|---------|--------------------|--|----------------------|
| DVDD | 1 | 2 | Device will reset whenever nFAULT is asserted low | B |
| nFAULT | 2 | 3 | SPI read write functions and fault signaling will not work | B |
| SDO | 3 | 4 | SPI read write functions will be non-functional | B |
| SDI | 4 | 5 | SPI read write functions will be non-functional | B |
| SCLK | 5 | 6 | SPI read write functions will be non-functional | B |
| nSCS | 6 | 7 | SPI read write functions will be non-functional | B |
| EN/IN1 | 7 | 8 | OUTx driver control will be lost | B |
| PH/IN2 | 8 | 9 | OUTx driver control will be lost | B |
| DISABLE | 9 | 10 | OUTx driver control and load current sensing will be lost | B |
| IPROPI1 | 10 | 11 | Current sensing capability will be lost | B |
| nSLEEP | 11 | 12 | Current sensing capability will be lost | B |
| IPROPI2 | 12 | 13 | Device will be damaged with higher current draw from VM | A |
| VM | 13 | 14 | OUTx HiZ with device signaling fault | B |
| OUT2 | 14 | 15 | Intended operation | D |
| OUT2 | 15 | 16 | OUTx HiZ, with device signaling fault | B |
| SRC | 16 | 17 | Intended operation | D |
| SRC | 17 | 18 | OUTx HiZ, with device signaling fault | B |
| OUT1 | 18 | 19 | Intended operation | D |
| OUT1 | 19 | 20 | OUTx HiZ with device signaling fault | B |
| VM | 20 | 21 | OUTx HiZ with device signaling fault | B |
| VCP | 21 | 22 | Device will be damaged with higher current draw from VM | A |
| CPH | 22 | 23 | Device will be damaged with higher current draw from VM | A |
| CPL | 23 | 24 | Device will be damaged with higher current draw from VM | A |

Table 4-9. SPI variant - Pin FMA for Device Pins Shorted to VM (High Voltage Supply)

| Pin Name | Pin No. | Description of Potential Failure Effect(s) | Failure Effect Class |
|----------|---------|---|----------------------|
| DVDD | 1 | Device will be damaged with higher current draw from VM | A |
| nFAULT | 2 | Device will be damaged with higher current draw from VM | A |
| SDO | 3 | Device will be damaged with higher current draw from VM | A |
| SDI | 4 | Device will be damaged with higher current draw from VM | A |
| SCLK | 5 | Device will be damaged with higher current draw from VM | A |
| nSCS | 6 | Device will be damaged with higher current draw from VM | A |
| EN/IN1 | 7 | Device will be damaged with higher current draw from VM | A |

Table 4-9. SPI variant - Pin FMA for Device Pins Shorted to VM (High Voltage Supply) (continued)

| Pin Name | Pin No. | Description of Potential Failure Effect(s) | Failure Effect Class |
|----------|---------|---|----------------------|
| PH/IN2 | 8 | Device will be damaged with higher current draw from VM | A |
| DISABLE | 9 | Device will be damaged with higher current draw from VM | A |
| IPROPI1 | 10 | Device will be damaged with higher current draw from VM | A |
| nSLEEP | 11 | Device will be damaged with higher current draw from VM | A |
| IPROPI2 | 12 | Device will be damaged with higher current draw from VM | A |
| VM | 13 | Intended operation | D |
| OUT2 | 14 | OUTx HiZ with device signaling fault | B |
| OUT2 | 15 | OUTx HiZ with device signaling fault | B |
| SRC | 16 | Device will not power up | B |
| SRC | 17 | Device will not power up | B |
| OUT1 | 18 | OUTx HiZ with device signaling fault | B |
| OUT1 | 19 | OUTx HiZ with device signaling fault | B |
| VM | 20 | Intended operation | D |
| VCP | 21 | OUTx HiZ with device signaling fault | B |
| CPH | 22 | Device will be damaged with higher current draw from VM | A |
| CPL | 23 | Device will be damaged with higher current draw from VM | A |
| GND | 24 | Device will not power up | B |

IMPORTANT NOTICE AND DISCLAIMER

TI PROVIDES TECHNICAL AND RELIABILITY DATA (INCLUDING DATASHEETS), DESIGN RESOURCES (INCLUDING REFERENCE DESIGNS), APPLICATION OR OTHER DESIGN ADVICE, WEB TOOLS, SAFETY INFORMATION, AND OTHER RESOURCES "AS IS" AND WITH ALL FAULTS, AND DISCLAIMS ALL WARRANTIES, EXPRESS AND IMPLIED, INCLUDING WITHOUT LIMITATION ANY IMPLIED WARRANTIES OF MERCHANTABILITY, FITNESS FOR A PARTICULAR PURPOSE OR NON-INFRINGEMENT OF THIRD PARTY INTELLECTUAL PROPERTY RIGHTS.

These resources are intended for skilled developers designing with TI products. You are solely responsible for (1) selecting the appropriate TI products for your application, (2) designing, validating and testing your application, and (3) ensuring your application meets applicable standards, and any other safety, security, or other requirements. These resources are subject to change without notice. TI grants you permission to use these resources only for development of an application that uses the TI products described in the resource. Other reproduction and display of these resources is prohibited. No license is granted to any other TI intellectual property right or to any third party intellectual property right. TI disclaims responsibility for, and you will fully indemnify TI and its representatives against, any claims, damages, costs, losses, and liabilities arising out of your use of these resources.

TI's products are provided subject to TI's Terms of Sale () or other applicable terms available either on [ti.com](https://www.ti.com) or provided in conjunction with such TI products. TI's provision of these resources does not expand or otherwise alter TI's applicable warranties or warranty disclaimers for TI products.

Mailing Address: Texas Instruments, Post Office Box 655303, Dallas, Texas 75265
Copyright © 2020, Texas Instruments Incorporated

DRAFT ONLY
TI Confidential – NDA Restrictions

IMPORTANT NOTICE AND DISCLAIMER

TI PROVIDES TECHNICAL AND RELIABILITY DATA (INCLUDING DATA SHEETS), DESIGN RESOURCES (INCLUDING REFERENCE DESIGNS), APPLICATION OR OTHER DESIGN ADVICE, WEB TOOLS, SAFETY INFORMATION, AND OTHER RESOURCES "AS IS" AND WITH ALL FAULTS, AND DISCLAIMS ALL WARRANTIES, EXPRESS AND IMPLIED, INCLUDING WITHOUT LIMITATION ANY IMPLIED WARRANTIES OF MERCHANTABILITY, FITNESS FOR A PARTICULAR PURPOSE OR NON-INFRINGEMENT OF THIRD PARTY INTELLECTUAL PROPERTY RIGHTS.

These resources are intended for skilled developers designing with TI products. You are solely responsible for (1) selecting the appropriate TI products for your application, (2) designing, validating and testing your application, and (3) ensuring your application meets applicable standards, and any other safety, security, regulatory or other requirements.

These resources are subject to change without notice. TI grants you permission to use these resources only for development of an application that uses the TI products described in the resource. Other reproduction and display of these resources is prohibited. No license is granted to any other TI intellectual property right or to any third party intellectual property right. TI disclaims responsibility for, and you will fully indemnify TI and its representatives against, any claims, damages, costs, losses, and liabilities arising out of your use of these resources.

TI's products are provided subject to [TI's Terms of Sale](#) or other applicable terms available either on ti.com or provided in conjunction with such TI products. TI's provision of these resources does not expand or otherwise alter TI's applicable warranties or warranty disclaimers for TI products.

TI objects to and rejects any additional or different terms you may have proposed.

Mailing Address: Texas Instruments, Post Office Box 655303, Dallas, Texas 75265
Copyright © 2022, Texas Instruments Incorporated