

## ESDS452 5.5-V Bi-Directional TVS Diode in SOT-23

### 1 Features

- IEC 61000-4-5 surge protection:
  - 18A (8/20 $\mu$ s)
- IEC 61000-4-2 ESD Protection:
  - $\pm$ 30kV contact discharge
  - $\pm$ 30kV air gap discharge
- 5.5V working voltage
- Ultra low leakage current:
  - 1nA (typical)
- I/O Capacitance:
  - 3pF (typical)
- Bidirectional polarity to support positive and negative voltage swings
- 2-ch device provides complete ESD/Surge protection with single component
- Small, leaded SOT-23 allows low cost automatic optical inspection (AOI)

### 2 Applications

- End equipment:
  - [Factory automation and control](#)
  - [Building automation](#)
  - [Grid infrastructure](#)
  - [HVAC systems](#)
  - [Energy storage systems](#)

### 3 Description

The ESDS452 is a bidirectional ESD and TVS diode. The ESDS452 is rated to dissipate ESD strikes beyond the maximum level specified in the IEC 61000-4-2 international standard ( $\pm$ 30kV Contact,  $\pm$ 30kV Air-gap). The device can clamp 8/20 $\mu$ s surges with peak pulse currents up to 18A in accordance with the IEC 61000-4-5 standard. Additionally, the low clamping voltage of the diodes in both the positive and negative directions can help prevent downstream circuitry from being exposed to large voltages and currents during ESD or surge events. This protection is key in industrial systems which require a high level of robustness and reliability.

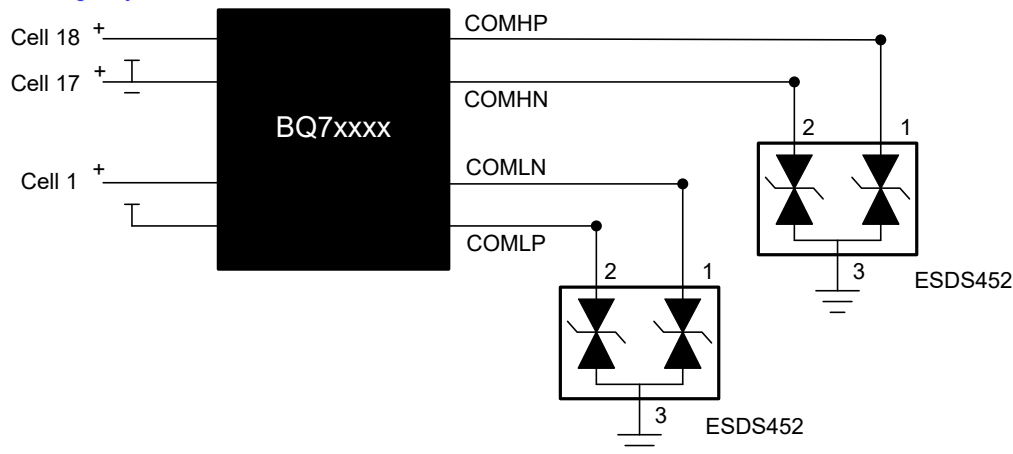
The ESDS452 is available in a small leaded SOT-23 (DBZ) package.

#### Package Information

PART NUMBER	PACKAGE <sup>(1)</sup>	PACKAGE SIZE <sup>(2)</sup>
ESDS452	DBZ (SOT-23, 3)	2.92mm × 2.37mm

(1) For more information, see [Section 9](#).

(2) The package size (length x width) is a nominal value and includes pins, where applicable.



Typical Application for BMS



## Table of Contents

<b>1 Features</b> .....	<b>1</b>	<b>6 Application and Implementation</b> .....	<b>6</b>
<b>2 Applications</b> .....	<b>1</b>	6.1 Application Information.....	6
<b>3 Description</b> .....	<b>1</b>	<b>7 Device and Documentation Support</b> .....	<b>7</b>
<b>4 Pin Configuration and Functions</b> .....	<b>2</b>	7.1 Documentation Support.....	7
<b>5 Specifications</b> .....	<b>3</b>	7.2 Receiving Notification of Documentation Updates.....	7
5.1 Absolute Maximum Ratings.....	3	7.3 Support Resources.....	7
5.2 ESD Ratings -JEDEC Specifications.....	3	7.4 Trademarks.....	7
5.3 ESD Ratings - IEC Specifications.....	3	7.5 Electrostatic Discharge Caution.....	7
5.4 Recommended Operating Conditions.....	3	7.6 Glossary.....	7
5.5 Thermal Information.....	3	<b>8 Revision History</b> .....	<b>7</b>
5.6 Electrical Characteristics.....	4	<b>9 Mechanical, Packaging, and Orderable Information</b> ....	<b>7</b>
5.7 Typical Characteristics.....	5		

## 4 Pin Configuration and Functions

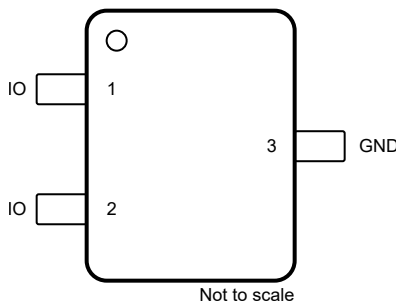


Figure 4-1. ESDS452 DBZ Package, 3-Pin SOT-23 (Top View)

Table 4-1. Pin Functions for ESDS452

PIN		TYPE <sup>(1)</sup>	DESCRIPTION
NAME	NO.		
IO	1, 2	I/O	Surge and ESD protected IO
GND	3	GND	Ground. Connect to ground

(1) I = Input, O = Output, I/O = Input or Output, GND = ground

## 5 Specifications

### 5.1 Absolute Maximum Ratings

over operating free-air temperature range (unless otherwise noted)<sup>(1)</sup>

Parameter		MIN	MAX	UNIT
P <sub>PPM</sub>	IEC 61000-4-5 Surge (t <sub>p</sub> = 8/20μs) Peak Pulse Power at 25 °C		172	W
I <sub>PPM</sub>	IEC 61000-4-5 Surge (t <sub>p</sub> = 8/20μs) Peak Pulse Current at 25 °C		18	A
T <sub>A</sub>	Operating free-air temperature	–40	125	°C
T <sub>stg</sub>	Storage temperature	–65	155	°C

- (1) Operation outside the *Absolute Maximum Ratings* may cause permanent device damage. Absolute maximum ratings do not imply functional operation of the device at these or any other conditions beyond those listed under *Recommended Operating Conditions*. If briefly operating outside the *Recommended Operating Conditions* but within the *Absolute Maximum Ratings*, the device may not sustain damage, but it may not be fully functional. Operating the device in this manner may affect device reliability, functionality, performance, and shorten the device lifetime.

### 5.2 ESD Ratings -JEDEC Specifications

Parameter		Test Conditions	VALUE	UNIT
V <sub>(ESD)</sub>	Electrostatic discharge	Human body model (HBM), per ANSI/ESDA/ JEDEC JS-001, all pins <sup>(1)</sup>	±2500	V
		Charged device model (CDM), per JEDEC specification JS-002, all pins <sup>(2)</sup>	±1000	

- (1) JEDEC document JEP155 states that 500-V HBM allows safe manufacturing with a standard ESD control process.  
(2) JEDEC document JEP157 states that 250-V CDM allows safe manufacturing with a standard ESD control process.

### 5.3 ESD Ratings - IEC Specifications

Parameter		Test Conditions	VALUE	UNIT
V <sub>(ESD)</sub>	Electrostatic discharge	IEC 61000-4-2 Contact Discharge, all pins	±30000	V
		IEC 61000-4-2 Air Discharge, all pins	±30000	

### 5.4 Recommended Operating Conditions

over operating free-air temperature range (unless otherwise noted)

		MIN	NOM	MAX	UNIT
V <sub>IN</sub>	Input voltage	–5.5		5.5	V
T <sub>A</sub>	Operating Free Air Temperature	–40		125	°C

### 5.5 Thermal Information

THERMAL METRIC <sup>(1)</sup>		ESDS452	UNIT
		DBZ (SOT-23)	
		3 PINS	
R <sub>θJA</sub>	Junction-to-ambient thermal resistance	309.5	°C/W
R <sub>θJC(top)</sub>	Junction-to-case (top) thermal resistance	162.4	°C/W
R <sub>θJB</sub>	Junction-to-board thermal resistance	149.0	°C/W
Ψ <sub>JT</sub>	Junction-to-top characterization parameter	41.0	°C/W
Ψ <sub>JB</sub>	Junction-to-board characterization parameter	147.9	°C/W
R <sub>θJC(bot)</sub>	Junction-to-case (bottom) thermal resistance	N/A	°C/W

- (1) For more information about traditional and new thermal metrics, see the [Semiconductor and IC Package Thermal Metrics](#) application report.

## 5.6 Electrical Characteristics

At TA = 25°C unless otherwise noted

PARAMETER		TEST CONDITIONS	MIN	TYP	MAX	UNIT
V <sub>RWM</sub>	Reverse stand-off voltage	I <sub>IO</sub> < 50nA	-5.5		5.5	V
I <sub>LEAK</sub>	Leakage current at V <sub>RWM</sub>	V <sub>IO</sub> = ±5.5 V, I/O to GND and GND to I/O		1	50	nA
V <sub>BR</sub>	Breakdown voltage, I/O to GND <sup>(1)</sup>	I <sub>IO</sub> = ±1mA	7	8	9	V
V <sub>CLAMP</sub>	Surge clamping voltage, t <sub>p</sub> = 8/20 μs <sup>(2)</sup>	I <sub>PP</sub> = ±1 A, I/O to GND		7.5	10	V
V <sub>CLAMP</sub>	Surge clamping voltage, t <sub>p</sub> = 8/20 μs <sup>(2)</sup>	I <sub>PP</sub> = ±15 A, I/O to GND		11.5	14	V
V <sub>CLAMP</sub>	TLP clamping voltage, t <sub>p</sub> = 100ns <sup>(3)</sup>	I <sub>PP</sub> = ±16 A, I/O to GND		9.6		V
R <sub>DYN</sub>	Dynamic resistance <sup>(4)</sup>	I/O to GND		0.29		Ω
		GND to I/O		0.29		
C <sub>LINE</sub>	Line capacitance, IO to GND	V <sub>IO</sub> = 0 V, f = 1 MHz		3	5	pF

- (1) V<sub>BR</sub> is defined as the voltage when ±1mA is applied in the positive or negative direction respectively.  
(2) Device stressed with 8/20 μs exponential decay waveform according to IEC 61000-4-5  
(3) Non-repetitive square wave current pulse, Transmission Line Pulse (TLP); ANSI / ESD STM5.5.1-2008  
(4) 8/20 μs (IEC 61000-4-5) dynamic resistance

## 5.7 Typical Characteristics

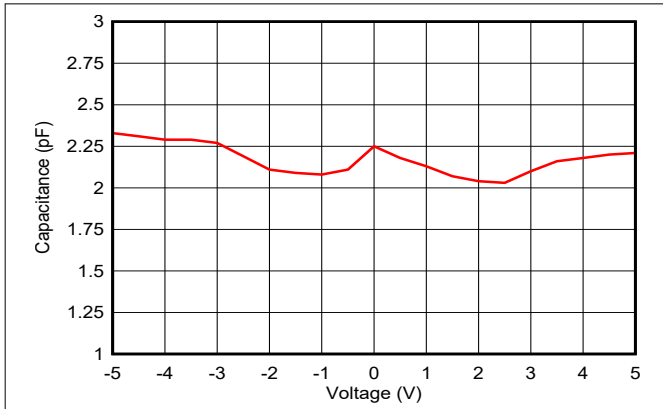


Figure 5-1. Capacitance vs. Bias Voltage

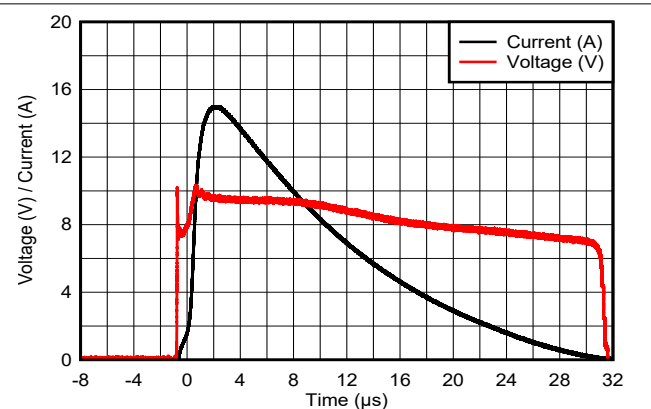


Figure 5-2. 8/20µs Surge Response

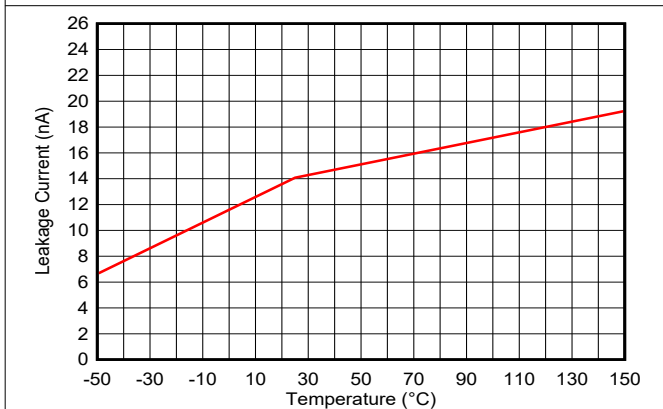


Figure 5-3. Leakage Current vs. Temperature

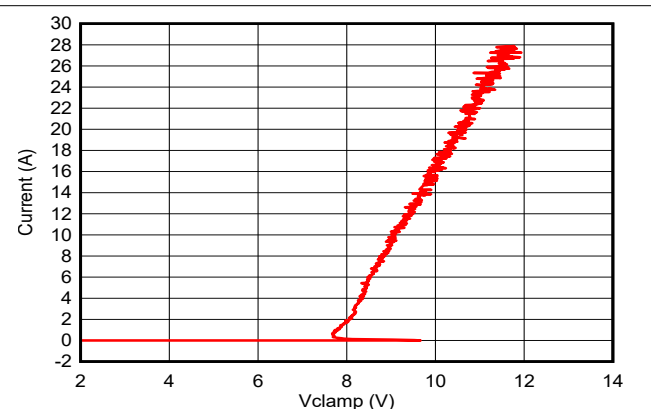


Figure 5-4. Positive TLP Curve

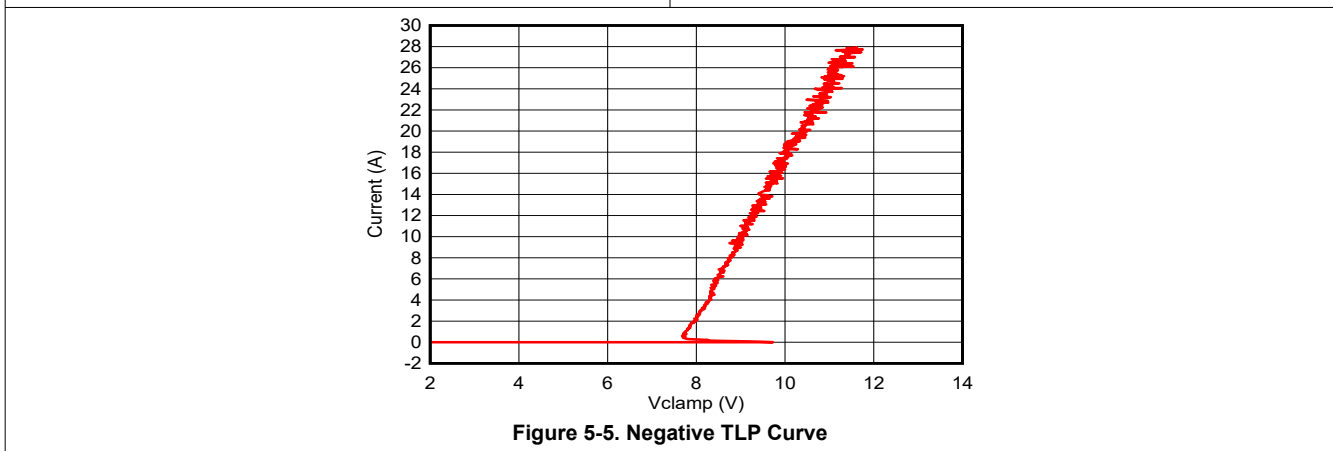


Figure 5-5. Negative TLP Curve

## 6 Application and Implementation

---

### Note

Information in the following applications sections is not part of the TI component specification, and TI does not warrant its accuracy or completeness. TI's customers are responsible for determining suitability of components for their purposes, as well as validating and testing their design implementation to confirm system functionality.

---

### 6.1 Application Information

The ESDS452 is a diode type TVS which provides a path to ground for dissipating transient voltage spikes, such as ESD or surge, on signal lines and power lines. Connect the device in parallel to the down stream circuitry for protection. As the current from the transient passes through the device, only a small voltage drop is present across the diode. This is the voltage presented to the protected IC. The low  $R_{DYN}$  of the triggered TVS holds this voltage ( $V_{CLAMP}$ ) to a safe level for the protected IC. For more information on how to properly use this device, refer to the [ESD Packaging and Layout Guide](#).

## 7 Device and Documentation Support

### 7.1 Documentation Support

#### 7.1.1 Related Documentation

For related documentation, see the following:

- Texas Instruments, [ESD Packaging and Layout Guide](#)
- Texas Instruments, [TI's IEC 61000-4-x Testing application note](#)
- Texas Instruments, [ESD Layout Guide user's guide](#)
- Texas Instruments, [ESD Protection Diodes EVM user's guide](#)
- Texas Instruments, [Generic ESD Evaluation Module user's guide](#)
- Texas Instruments, [Reading and Understanding an ESD Protection Data Sheet user's guide](#)

### 7.2 Receiving Notification of Documentation Updates

To receive notification of documentation updates, navigate to the device product folder on [ti.com](#). Click on *Notifications* to register and receive a weekly digest of any product information that has changed. For change details, review the revision history included in any revised document.

### 7.3 Support Resources

[TI E2E™ support forums](#) are an engineer's go-to source for fast, verified answers and design help — straight from the experts. Search existing answers or ask your own question to get the quick design help you need.

Linked content is provided "AS IS" by the respective contributors. They do not constitute TI specifications and do not necessarily reflect TI's views; see TI's [Terms of Use](#).

### 7.4 Trademarks

TI E2E™ is a trademark of Texas Instruments.  
All trademarks are the property of their respective owners.

### 7.5 Electrostatic Discharge Caution



This integrated circuit can be damaged by ESD. Texas Instruments recommends that all integrated circuits be handled with appropriate precautions. Failure to observe proper handling and installation procedures can cause damage.

ESD damage can range from subtle performance degradation to complete device failure. Precision integrated circuits may be more susceptible to damage because very small parametric changes could cause the device not to meet its published specifications.

### 7.6 Glossary

[TI Glossary](#) This glossary lists and explains terms, acronyms, and definitions.

## 8 Revision History

DATE	REVISION	NOTES
March 2024	*	Initial Release

## 9 Mechanical, Packaging, and Orderable Information

The following pages include mechanical, packaging, and orderable information. This information is the most current data available for the designated devices. This data is subject to change without notice and revision of this document. For browser-based versions of this data sheet, refer to the left-hand navigation.

**PACKAGING INFORMATION**

Orderable part number	Status (1)	Material type (2)	Package   Pins	Package qty   Carrier	RoHS (3)	Lead finish/ Ball material (4)	MSL rating/ Peak reflow (5)	Op temp (°C)	Part marking (6)
<a href="#">ESDS452DBZR</a>	Active	Production	SOT-23 (DBZ)   3	3000   LARGE T&R	Yes	NIPDAU	Level-1-260C-UNLIM	-55 to 150	3BO8
ESDS452DBZR.B	Active	Production	SOT-23 (DBZ)   3	3000   LARGE T&R	Yes	NIPDAU	Level-1-260C-UNLIM	-55 to 150	3BO8

(1) **Status:** For more details on status, see our [product life cycle](#).

(2) **Material type:** When designated, preproduction parts are prototypes/experimental devices, and are not yet approved or released for full production. Testing and final process, including without limitation quality assurance, reliability performance testing, and/or process qualification, may not yet be complete, and this item is subject to further changes or possible discontinuation. If available for ordering, purchases will be subject to an additional waiver at checkout, and are intended for early internal evaluation purposes only. These items are sold without warranties of any kind.

(3) **RoHS values:** Yes, No, RoHS Exempt. See the [TI RoHS Statement](#) for additional information and value definition.

(4) **Lead finish/Ball material:** Parts may have multiple material finish options. Finish options are separated by a vertical ruled line. Lead finish/Ball material values may wrap to two lines if the finish value exceeds the maximum column width.

(5) **MSL rating/Peak reflow:** The moisture sensitivity level ratings and peak solder (reflow) temperatures. In the event that a part has multiple moisture sensitivity ratings, only the lowest level per JEDEC standards is shown. Refer to the shipping label for the actual reflow temperature that will be used to mount the part to the printed circuit board.

(6) **Part marking:** There may be an additional marking, which relates to the logo, the lot trace code information, or the environmental category of the part.

Multiple part markings will be inside parentheses. Only one part marking contained in parentheses and separated by a "~" will appear on a part. If a line is indented then it is a continuation of the previous line and the two combined represent the entire part marking for that device.

**Important Information and Disclaimer:**The information provided on this page represents TI's knowledge and belief as of the date that it is provided. TI bases its knowledge and belief on information provided by third parties, and makes no representation or warranty as to the accuracy of such information. Efforts are underway to better integrate information from third parties. TI has taken and continues to take reasonable steps to provide representative and accurate information but may not have conducted destructive testing or chemical analysis on incoming materials and chemicals. TI and TI suppliers consider certain information to be proprietary, and thus CAS numbers and other limited information may not be available for release.

In no event shall TI's liability arising out of such information exceed the total purchase price of the TI part(s) at issue in this document sold by TI to Customer on an annual basis.

**OTHER QUALIFIED VERSIONS OF ESDS452 :**

- Automotive : [ESDS452-Q1](#)



**NOTE: Qualified Version Definitions:**

- Automotive - Q100 devices qualified for high-reliability automotive applications targeting zero defects

**TAPE AND REEL INFORMATION**

**QUADRANT ASSIGNMENTS FOR PIN 1 ORIENTATION IN TAPE**


\*All dimensions are nominal

Device	Package Type	Package Drawing	Pins	SPQ	Reel Diameter (mm)	Reel Width W1 (mm)	A0 (mm)	B0 (mm)	K0 (mm)	P1 (mm)	W (mm)	Pin1 Quadrant
ESDS452DBZR	SOT-23	DBZ	3	3000	180.0	8.4	2.9	3.35	1.35	4.0	8.0	Q3

**TAPE AND REEL BOX DIMENSIONS**


\*All dimensions are nominal

Device	Package Type	Package Drawing	Pins	SPQ	Length (mm)	Width (mm)	Height (mm)
ESDS452DBZR	SOT-23	DBZ	3	3000	210.0	185.0	35.0

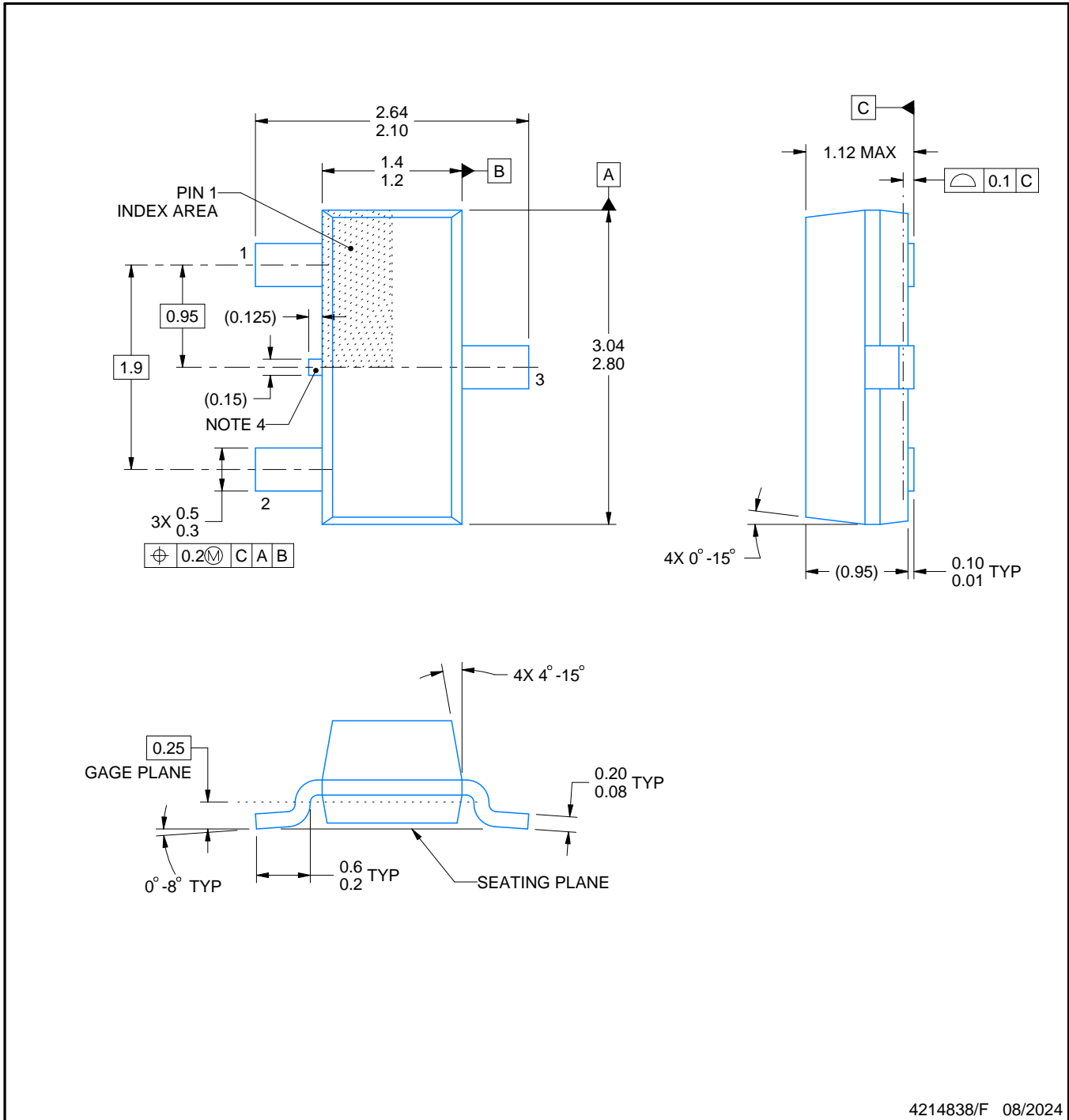
# DBZ0003A



# PACKAGE OUTLINE

## SOT-23 - 1.12 mm max height

SMALL OUTLINE TRANSISTOR



4214838/F 08/2024

- NOTES:
- 1. All linear dimensions are in millimeters. Any dimensions in parenthesis are for reference only. Dimensioning and tolerancing per ASME Y14.5M.
  - 2. This drawing is subject to change without notice.
  - 3. Reference JEDEC registration TO-236, except minimum foot length.
  - 4. Support pin may differ or may not be present.
  - 5. Body dimensions do not include mold flash, protrusions, or gate burrs. Mold flash, protrusions, or gate burrs shall not exceed 0.25mm per side

# EXAMPLE BOARD LAYOUT

DBZ0003A

SOT-23 - 1.12 mm max height

SMALL OUTLINE TRANSISTOR



LAND PATTERN EXAMPLE  
SCALE:15X



SOLDER MASK DETAILS

4214838/F 08/2024

NOTES: (continued)

5. Publication IPC-7351 may have alternate designs.
6. Solder mask tolerances between and around signal pads can vary based on board fabrication site.

# EXAMPLE STENCIL DESIGN

DBZ0003A

SOT-23 - 1.12 mm max height

SMALL OUTLINE TRANSISTOR



SOLDER PASTE EXAMPLE  
BASED ON 0.125 THICK STENCIL  
SCALE:15X

4214838/F 08/2024

NOTES: (continued)

7. Laser cutting apertures with trapezoidal walls and rounded corners may offer better paste release. IPC-7525 may have alternate design recommendations.
8. Board assembly site may have different recommendations for stencil design.

## IMPORTANT NOTICE AND DISCLAIMER

TI PROVIDES TECHNICAL AND RELIABILITY DATA (INCLUDING DATASHEETS), DESIGN RESOURCES (INCLUDING REFERENCE DESIGNS), APPLICATION OR OTHER DESIGN ADVICE, WEB TOOLS, SAFETY INFORMATION, AND OTHER RESOURCES "AS IS" AND WITH ALL FAULTS, AND DISCLAIMS ALL WARRANTIES, EXPRESS AND IMPLIED, INCLUDING WITHOUT LIMITATION ANY IMPLIED WARRANTIES OF MERCHANTABILITY, FITNESS FOR A PARTICULAR PURPOSE OR NON-INFRINGEMENT OF THIRD PARTY INTELLECTUAL PROPERTY RIGHTS.

These resources are intended for skilled developers designing with TI products. You are solely responsible for (1) selecting the appropriate TI products for your application, (2) designing, validating and testing your application, and (3) ensuring your application meets applicable standards, and any other safety, security, regulatory or other requirements.

These resources are subject to change without notice. TI grants you permission to use these resources only for development of an application that uses the TI products described in the resource. Other reproduction and display of these resources is prohibited. No license is granted to any other TI intellectual property right or to any third party intellectual property right. TI disclaims responsibility for, and you fully indemnify TI and its representatives against any claims, damages, costs, losses, and liabilities arising out of your use of these resources.

TI's products are provided subject to [TI's Terms of Sale](#), [TI's General Quality Guidelines](#), or other applicable terms available either on [ti.com](#) or provided in conjunction with such TI products. TI's provision of these resources does not expand or otherwise alter TI's applicable warranties or warranty disclaimers for TI products. Unless TI explicitly designates a product as custom or customer-specified, TI products are standard, catalog, general purpose devices.

TI objects to and rejects any additional or different terms you may propose.

Copyright © 2025, Texas Instruments Incorporated

Last updated 10/2025