

# LM2678 SIMPLE SWITCHER® Power Converter, High-Efficiency, 5A, Step-Down Voltage Regulator

## 1 Features

- Efficiency up to 92%
- Simple and easy to design using off-the-shelf external components
- 120mΩ DMOS output switch
- 3.3V, 5V, and 12V fixed output and adjustable (1.2V to 37V) versions
- 50μA standby current when switched OFF
- ±2% maximum output tolerance over full line and load conditions
- 8V to 40V wide input voltage range
- 260kHz fixed frequency internal oscillator
- -40 to 125°C operating junction temperature range
- Create a custom design using the LM2678 with the [WEBENCH® Power Designer](#)

## 2 Applications

- Simple-to-design, high efficiency (> 90%) step-down switching regulators
- Efficient system preregulator for linear voltage regulators
- Battery chargers

## 3 Description

The LM2678 series of regulators are monolithic, integrated circuits, which provide all of the active functions for a step-down (buck) switching regulator capable of driving up to 5A loads with excellent line and load regulation characteristics. High efficiency (>90%) is obtained through the use of a low ON-resistance DMOS power switch. The series consists of fixed output voltages of 3.3V, 5V, and 12V and an adjustable output version.

The SIMPLE SWITCHER power converter concept provides for a complete design using a minimum number of external components. A high fixed frequency oscillator (260kHz) allows the use of physically smaller sized components. A family of standard inductors for use with the LM2678 are available from several manufacturers to greatly simplify the design process.

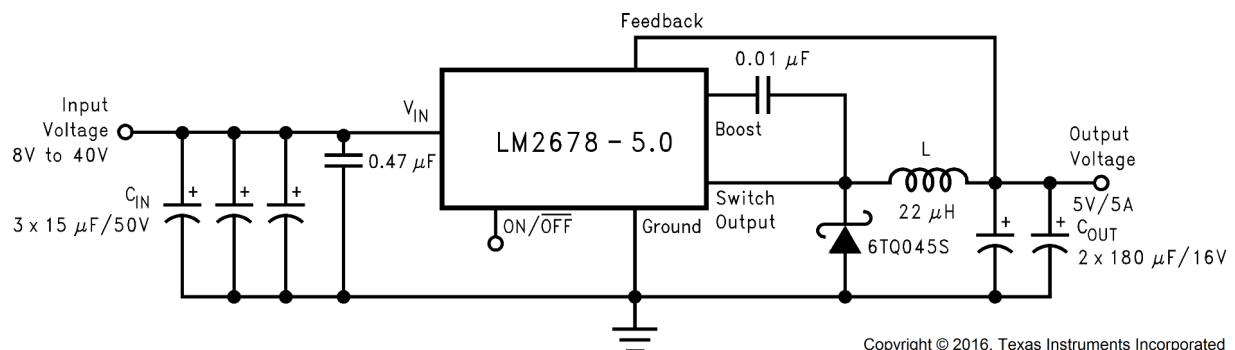
The LM2678 series also has built-in thermal shutdown, current limiting, and an ON and OFF control input that can power down the regulator to a low 50μA quiescent current standby condition. The output voltage is specified to a ±2% tolerance. The clock frequency is controlled to within a ±11% tolerance.

### Package Information

| PART NUMBER | PACKAGE <sup>(1)</sup> | PACKAGE SIZE <sup>(2)</sup> |
|-------------|------------------------|-----------------------------|
| LM2678      | KTW (TO-263, 7)        | 10.1mm × 15.24mm            |
|             | NDZ (TO-220, 7)        | 10.16mm × 8.13mm            |
|             | NHM (VSON, 14)         | 6mm × 5mm                   |

(1) For more information, see [Section 10](#).

(2) The package size (length × width) is a nominal value and includes pins, where applicable.



Copyright © 2016, Texas Instruments Incorporated

Typical Application



## Table of Contents

|  |    |  |    |
|--|----|--|----|
| <b>1 Features</b> .....  | 1  | 6.3 Feature Description.....   | 10 |
| <b>2 Applications</b> .....  | 1  | 6.4 Device Functional Modes.....                                     | 11 |
| <b>3 Description</b> .....   | 1  | <b>7 Application and Implementation</b> .....                        | 12 |
| <b>4 Pin Configuration and Functions</b> .....                       | 3  | 7.1 Application Information.....                                     | 12 |
| <b>5 Specifications</b> .....  | 4  | 7.2 Typical Application.....   | 14 |
| 5.1 Absolute Maximum Ratings.....                                    | 4  | 7.3 Power Supply Recommendations.....                                | 25 |
| 5.2 ESD Ratings.....   | 4  | 7.4 Layout.....  | 26 |
| 5.3 Recommended Operating Conditions.....                            | 4  | <b>8 Device and Documentation Support</b> .....                      | 28 |
| 5.4 Thermal Information.....   | 4  | 8.1 Device Support.....  | 28 |
| 5.5 Electrical Characteristics – 3.3 V.....                          | 5  | 8.2 Documentation Support.....                                       | 28 |
| 5.6 Electrical Characteristics – 5 V.....                            | 5  | 8.3 Receiving Notification of Documentation Updates....              | 28 |
| 5.7 Electrical Characteristics – 12 V.....                           | 5  | 8.4 Support Resources.....   | 28 |
| 5.8 Electrical Characteristics – Adjustable.....                     | 6  | 8.5 Trademarks.....  | 28 |
| 5.9 Electrical Characteristics – All Output Voltage<br>Versions..... | 6  | 8.6 Electrostatic Discharge Caution.....                             | 28 |
| 5.10 Typical Characteristics.....                                    | 7  | 8.7 Glossary.....  | 28 |
| <b>6 Detailed Description</b> .....                                  | 10 | <b>9 Revision History</b> .....                                      | 29 |
| 6.1 Overview.....  | 10 | <b>10 Mechanical, Packaging, and Orderable<br/>Information</b> ..... | 29 |
| 6.2 Functional Block Diagram.....                                    | 10 | 10.1 VSON Package Devices.....                                       | 29 |

## 4 Pin Configuration and Functions

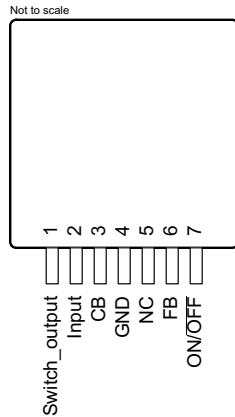


Figure 4-1. KTW Package, 7-Pin TO-263 (Top View)

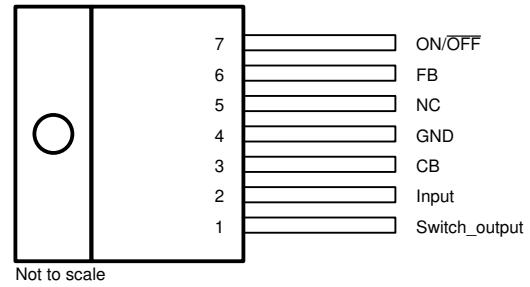
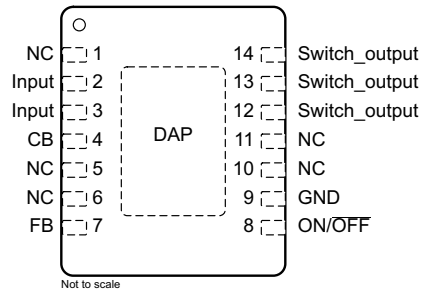


Figure 4-2. NDZ Package, 7-Pin TO-220 (Top View)



DAP connect to pin 9

Figure 4-3. NHM Package, 14-Pin VSON (Top View)

Table 4-1. Pin Functions

| NAME          | PIN            |                 | TYPE <sup>(1)</sup> | DESCRIPTION   |
|---------------|----------------|-----------------|---------------------|---|
|               | TO-263, TO-220 | VSON            |                     |   |
| Switch output | 1              | 12, 13, 14      | O                   | Source pin of the internal high-side FET. This is a switching node. Attached this pin to an inductor and the cathode of the external diode.   |
| Input         | 2              | 2, 3            | I                   | Supply input pin to collector pin of high-side FET. Connect to power supply and input bypass capacitors $C_{IN}$ . Path from $V_{IN}$ pin to high frequency bypass $C_{IN}$ and GND must be as short as possible. |
| CB            | 3              | 4               | I                   | Boot-strap capacitor connection for high-side driver. Connect a high-quality 100-nF capacitor from CB to VSW Pin.   |
| GND           | 4              | 9               | —                   | Power ground pins. Connect to system ground. Ground pins of $C_{IN}$ and $C_{OUT}$ . Path to $C_{IN}$ must be as short as possible.   |
| FB            | 6              | 7               | I                   | Feedback sense input pin. Connect to the midpoint of feedback divider to set $V_{OUT}$ for ADJ version or connect this pin directly to the output capacitor for a fixed output version.                           |
| ON/ OFF       | 7              | 8               | I                   | Enable input to the voltage regulator. High = ON and low = OFF. Pull this pin high or float to enable the regulator.  |
| NC            | 5              | 1, 5, 6, 10, 11 | —                   | No connect pins   |
| DAP           | —              | —               | —                   | All DAP, tab, and paddle connections are at ground potential and must be connected to system ground to allow for correct thermal and electrical performance.  |

(1) I = input, O = output

## 5 Specifications

### 5.1 Absolute Maximum Ratings

over operating free-air temperature range (unless otherwise noted)<sup>(1)</sup> <sup>(2)</sup>

|   |                    | MIN                | MAX                 | UNIT |
|---|--------------------|--------------------|---------------------|------|
| Input supply voltage                    |                    |                    | 45                  | V    |
| Soft-start pin voltage                  |                    | -0.1               | 6                   | V    |
| Switch voltage to ground <sup>(3)</sup> |                    | -1                 | V <sub>IN</sub>     | V    |
| Boost pin voltage                       |                    |                    | V <sub>SW</sub> + 8 | V    |
| Feedback pin voltage                    |                    | -0.3               | 14                  | V    |
| Power dissipation                       |                    | Internally limited |                     |      |
| Soldering temperature                   | Wave (4 s)         |                    | 260                 | °C   |
|   | Infrared (10 s)    |                    | 240                 |      |
|   | Vapor phase (75 s) |                    | 219                 |      |
| Storage temperature, T <sub>stg</sub>   |                    | -65                | 150                 | °C   |

- (1) Stresses beyond those listed under *Absolute Maximum Ratings* may cause permanent damage to the device. These are stress ratings only, which do not imply functional operation of the device at these or any other conditions beyond those indicated under *Recommended Operating Conditions*. Exposure to absolute-maximum-rated conditions for extended periods may affect device reliability.
- (2) If Military/Aerospace specified devices are required, please contact the Texas Instruments Sales Office/Distributors for availability and specifications.
- (3) The absolute maximum specification of the *Switch Voltage to Ground* applies to DC voltage. An extended negative voltage limit of -10 V applies to a pulse of up to 20 ns, -6 V of 60 ns and -3 V of up to 100 ns.

### 5.2 ESD Ratings

|                    |                         | VALUE   | UNIT       |
|--------------------|-------------------------|---|------------|
| V <sub>(ESD)</sub> | Electrostatic discharge | Human-body model (HBM), per ANSI/ESDA/JEDEC JS-001 <sup>(1)</sup><br><sup>(2)</sup> | ±2000<br>V |

- (1) JEDEC document JEP155 states that 500-V HBM allows safe manufacturing with a standard ESD control process.
- (2) ESD was applied using the human-body model, a 100-pF capacitor discharged through a 1.5-kΩ resistor into each pin.

### 5.3 Recommended Operating Conditions

|                                      |  | MIN | MAX | UNIT |
|--------------------------------------|--|-----|-----|------|
| Supply voltage                       |  | 8   | 40  | V    |
| Junction temperature, T <sub>J</sub> |  | -40 | 125 | °C   |

### 5.4 Thermal Information

| THERMAL METRIC <sup>(1)</sup> |  | LM2678             |              |            | UNIT |    |
|-------------------------------|--|--------------------|--------------|------------|------|----|
|                               |  | NDZ (TO-220)       | KTW (TO-263) | NHM (VSON) |      |    |
|                               |  | 7 PINS             | 7 PINS       | 14 PINS    |      |    |
| R <sub>θJA</sub>              | Junction-to-ambient thermal resistance | See <sup>(2)</sup> | 65           | —          | °C/W |    |
|                               |  | See <sup>(3)</sup> | 45           | —          |      |    |
|                               |  | See <sup>(4)</sup> | —            | 56         |      | —  |
|                               |  | See <sup>(5)</sup> | —            | 35         |      | —  |
|                               |  | See <sup>(6)</sup> | —            | 26         |      | —  |
|                               |  | See <sup>(7)</sup> | —            | —          |      | 55 |
|                               |  | See <sup>(8)</sup> | —            | —          |      | 29 |

## 5.4 Thermal Information (continued)

| THERMAL METRIC <sup>(1)</sup>                                  | LM2678       |              |            | UNIT |
|--|--------------|--------------|------------|------|
|  | NDZ (TO-220) | KTW (TO-263) | NHM (VSON) |      |
|  | 7 PINS       | 7 PINS       | 14 PINS    |      |
| $R_{\theta JC(top)}$ Junction-to-case (top) thermal resistance | 2            | 2            | —          | °C/W |

- (1) For more information about traditional and new thermal metrics, see the [Semiconductor and IC Package Thermal Metrics application note](#).
- (2) Junction to ambient thermal resistance (no external heat sink) for the 7-lead TO-220 package mounted vertically, with ½ inch leads in a socket, or on a PCB with minimum copper area.
- (3) Junction to ambient thermal resistance (no external heat sink) for the 7-lead TO-220 package mounted vertically, with ½ inch leads soldered to a PCB containing approximately 4 square inches of (1 oz.) copper area surrounding the leads.
- (4) Junction to ambient thermal resistance for the 7-lead DDPAK mounted horizontally against a PCB area of 0.136 square inches (the same size as the DDPAK package) of 1 oz. (0.0014 in. thick) copper.
- (5) Junction to ambient thermal resistance for the 7-lead DDPAK mounted horizontally against a PCB area of 0.4896 square inches (3.6 times the area of the DDPAK package) of 1 oz. (0.0014 in. thick) copper.
- (6) Junction to ambient thermal resistance for the 7-lead DDPAK mounted horizontally against a PCB copper area of 1.0064 square inches (7.4 times the area of the DDPAK 3 package) of 1 oz. (0.0014 in. thick) copper. Additional copper area reduces thermal resistance further.
- (7) Junction to ambient thermal resistance for the 14-lead VSON mounted on a PCB copper area equal to the die attach paddle.
- (8) Junction to ambient thermal resistance for the 14-lead VSON mounted on a PCB copper area using 12 vias to a second layer of copper equal to die attach paddle. Additional copper area reduces thermal resistance further. For layout recommendations, see [AN-1187 Leadless Leadfram Package \(LLP\) application note](#).

## 5.5 Electrical Characteristics – 3.3 V

Specifications apply for  $T_A = T_J = 25^\circ\text{C}$  (unless otherwise noted).

| PARAMETER                | TEST CONDITIONS  | MIN <sup>(2)</sup>   | TYP <sup>(1)</sup> | MAX <sup>(2)</sup> | UNIT |
|--------------------------|--|--|--------------------|--------------------|------|
| $V_{OUT}$ Output voltage | $V_{IN} = 8\text{ V to }40\text{ V}$ ,<br>$100\text{ mA} \leq I_{OUT} \leq 5\text{ A}$ | $T_J = 25^\circ\text{C}$<br>$T_J = -40^\circ\text{C to }125^\circ\text{C}$ | 3.234<br>3.201     | 3.3<br>3.399       | V    |
| $\eta$ Efficiency        | $V_{IN} = 12\text{ V}$ , $I_{LOAD} = 5\text{ A}$                                       |  | 82%                |                    |      |

- (1) Typical values are determined with  $T_A = T_J = 25^\circ\text{C}$  and represent the most likely norm.
- (2) All room temperature limits are 100% tested during production with  $T_A = T_J = 25^\circ\text{C}$ . All limits at temperature extremes are specified through correlation using standard Quality Control (SQC) methods. All limits are used to calculate Average Outgoing Quality Level (AOQL).

## 5.6 Electrical Characteristics – 5 V

Specifications apply for  $T_A = T_J = 25^\circ\text{C}$  (unless otherwise noted).

| PARAMETER                | TEST CONDITIONS  | MIN <sup>(2)</sup>   | TYP <sup>(1)</sup> | MAX <sup>(2)</sup> | UNIT |
|--------------------------|--|--|--------------------|--------------------|------|
| $V_{OUT}$ Output voltage | $V_{IN} = 8\text{ V to }40\text{ V}$ ,<br>$100\text{ mA} \leq I_{OUT} \leq 5\text{ A}$ | $T_J = 25^\circ\text{C}$<br>$T_J = -40^\circ\text{C to }125^\circ\text{C}$ | 4.9<br>4.85        | 5<br>5.15          | V    |
| $\eta$ Efficiency        | $V_{IN} = 12\text{ V}$ , $I_{LOAD} = 5\text{ A}$                                       |  | 84%                |                    |      |

- (1) Typical values are determined with  $T_A = T_J = 25^\circ\text{C}$  and represent the most likely norm.
- (2) All room temperature limits are 100% tested during production with  $T_A = T_J = 25^\circ\text{C}$ . All limits at temperature extremes are specified through correlation using standard Quality Control (SQC) methods. All limits are used to calculate Average Outgoing Quality Level (AOQL).

## 5.7 Electrical Characteristics – 12 V

Specifications apply for  $T_A = T_J = 25^\circ\text{C}$  (unless otherwise noted).

| PARAMETER                | TEST CONDITIONS   | MIN <sup>(2)</sup>   | TYP <sup>(1)</sup> | MAX <sup>(2)</sup> | UNIT |
|--------------------------|---|--|--------------------|--------------------|------|
| $V_{OUT}$ Output voltage | $V_{IN} = 15\text{ V to }40\text{ V}$ ,<br>$100\text{ mA} \leq I_{OUT} \leq 5\text{ A}$ | $T_J = 25^\circ\text{C}$<br>$T_J = -40^\circ\text{C to }125^\circ\text{C}$ | 11.76<br>11.64     | 12<br>12.36        | V    |
| $\eta$ Efficiency        | $V_{IN} = 24\text{ V}$ , $I_{LOAD} = 5\text{ A}$  |  | 92%                |                    |      |

- (1) Typical values are determined with  $T_A = T_J = 25^\circ\text{C}$  and represent the most likely norm.

- (2) All room temperature limits are 100% tested during production with  $T_A = T_J = 25^\circ\text{C}$ . All limits at temperature extremes are specified through correlation using standard Quality Control (SQC) methods. All limits are used to calculate Average Outgoing Quality Level (AOQL).

## 5.8 Electrical Characteristics – Adjustable

Specifications apply for  $T_A = T_J = 25^\circ\text{C}$  (unless otherwise noted).

| PARAMETER |                  | TEST CONDITIONS  |  | MIN <sup>(2)</sup> | TYP <sup>(1)</sup> | MAX <sup>(2)</sup> | UNIT |
|-----------|------------------|--|--|--------------------|--------------------|--------------------|------|
| $V_{FB}$  | Feedback voltage | $V_{IN} = 8\text{ V to }40\text{ V}$ ,<br>$100\text{ mA} \leq I_{OUT} \leq 5\text{ A}$<br>$V_{OUT}$ programmed for 5 V | $T_J = 25^\circ\text{C}$                       | 1.186              | 1.21               | 1.234              | V    |
|           |                  |  | $T_J = -40^\circ\text{C to }125^\circ\text{C}$ | 1.174              |                    | 1.246              |      |
| $\eta$    | Efficiency       | $V_{IN} = 12\text{ V}$ , $I_{LOAD} = 5\text{ A}$   |  | 84%                |                    |                    |      |

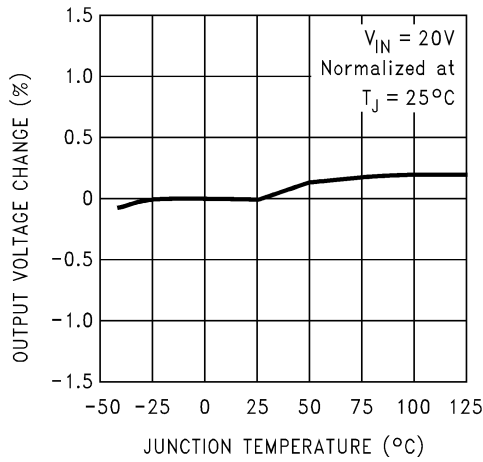
- (1) Typical values are determined with  $T_A = T_J = 25^\circ\text{C}$  and represent the most likely norm.  
 (2) All room temperature limits are 100% tested during production with  $T_A = T_J = 25^\circ\text{C}$ . All limits at temperature extremes are specified through correlation using standard Quality Control (SQC) methods. All limits are used to calculate Average Outgoing Quality Level (AOQL).

## 5.9 Electrical Characteristics – All Output Voltage Versions

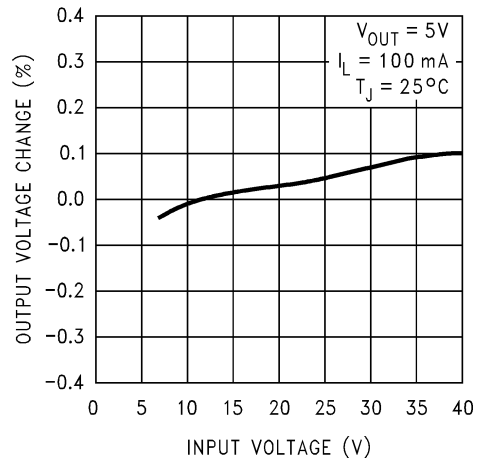
Specifications are for  $T_A = T_J = 25^\circ\text{C}$ ,  $V_{IN} = 12\text{ V}$  for the 3.3-V, 5-V, and adjustable versions, and  $V_{IN} = 24\text{ V}$  for the 12-V version (unless otherwise noted).

| PARAMETER    |                           | TEST CONDITIONS   |  | MIN  | TYP  | MAX   | UNIT          |
|--------------|---------------------------|---|--|------|------|-------|---------------|
| $I_Q$        | Quiescent current         | $V_{FEEDBACK} = 8\text{ V}$ for 3.3-V, 5-V, and adjustable versions,<br>$V_{FEEDBACK} = 15\text{ V}$ for 12-V version |  |      | 4.2  | 6     | mA            |
| $I_{STBY}$   | Standby quiescent current | ON/ OFF pin = 0 V   | $T_J = 25^\circ\text{C}$                       |      | 50   | 100   | $\mu\text{A}$ |
|              |                           |   | $T_J = -40^\circ\text{C to }125^\circ\text{C}$ |      |      | 150   |               |
| $I_{CL}$     | Current limit             |   | $T_J = 25^\circ\text{C}$                       | 6.1  | 7    | 8.3   | A             |
|              |                           |   | $T_J = -40^\circ\text{C to }125^\circ\text{C}$ | 5.75 |      | 8.75  |               |
| $I_L$        | Output leakage current    | $V_{IN} = 40\text{ V}$ , ON/ OFF pin = 0 V  | $V_{SWITCH} = 0\text{ V}$                      |      |      | 200   | $\mu\text{A}$ |
|              |                           |   | $V_{SWITCH} = -1\text{ V}$                     |      | 16   | 15    | mA            |
| $R_{DS(ON)}$ | Switch ON-Resistance      | $I_{SWITCH} = 5\text{ A}$   | $T_J = 25^\circ\text{C}$                       |      | 0.12 | 0.14  | $\Omega$      |
|              |                           |   | $T_J = -40^\circ\text{C to }125^\circ\text{C}$ |      |      | 0.225 |               |
| $f_O$        | Oscillator frequency      | Measured at switch pin  | $T_J = 25^\circ\text{C}$                       |      | 260  |       | kHz           |
|              |                           |   | $T_J = -40^\circ\text{C to }125^\circ\text{C}$ |      | 225  | 280   |               |
| D            | Duty cycle                | Maximum duty cycle  |  |      | 91%  |       |               |
|              |                           | Minimum duty cycle  |  |      | 0%   |       |               |
| $I_{BIAS}$   | Feedback bias current     | $V_{FEEDBACK} = 1.3\text{ V}$ (adjustable version only)   |  |      | 85   |       | nA            |
| $V_{ON/OFF}$ | ON/OFF threshold voltage  | $T_J = 25^\circ\text{C}$  |  |      | 1.4  |       | V             |
|              |                           | $T_J = -40^\circ\text{C to }125^\circ\text{C}$  |  |      | 0.8  | 2     |               |
| $I_{ON/OFF}$ | ON/OFF input current      | ON/OFF input = 0 V  | $T_J = 25^\circ\text{C}$                       |      | 20   |       | $\mu\text{A}$ |
|              |                           |   | $T_J = -40^\circ\text{C to }125^\circ\text{C}$ |      |      | 45    |               |

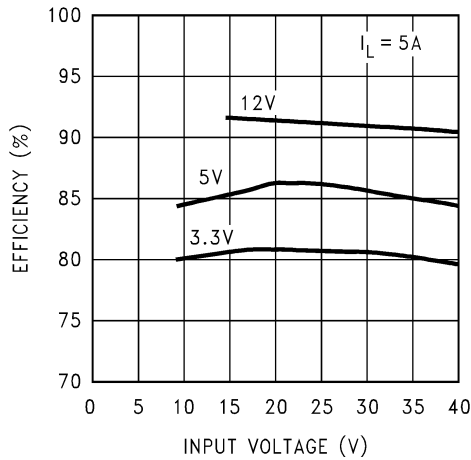
### 5.10 Typical Characteristics



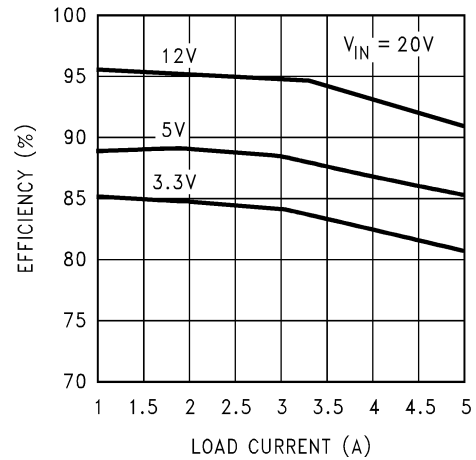
**Figure 5-1. Normalized Output Voltage**



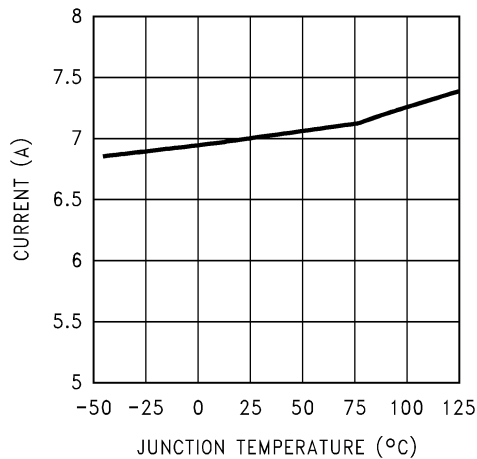
**Figure 5-2. Line Regulation**



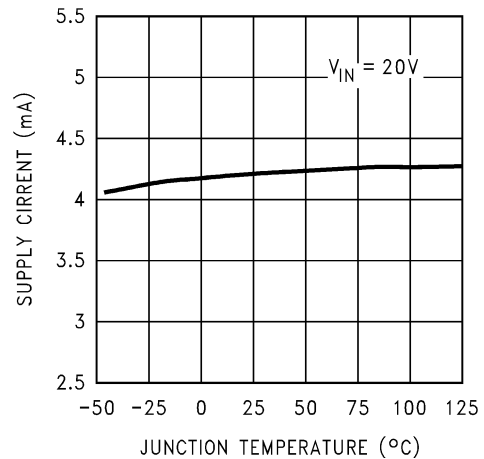
**Figure 5-3. Efficiency vs Input Voltage**



**Figure 5-4. Efficiency vs I<sub>LOAD</sub>**



**Figure 5-5. Switch Current Limit**



**Figure 5-6. Operating Quiescent Current**

### 5.10 Typical Characteristics (continued)

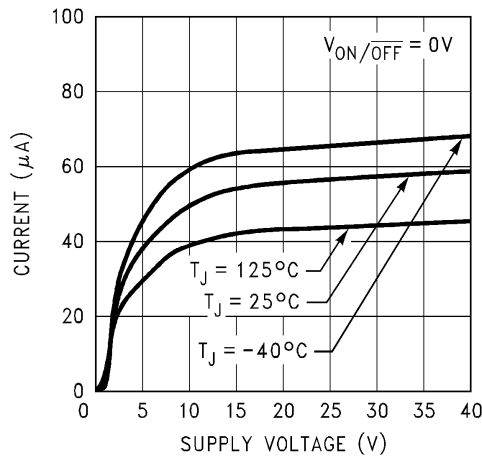


Figure 5-7. Standby Quiescent Current

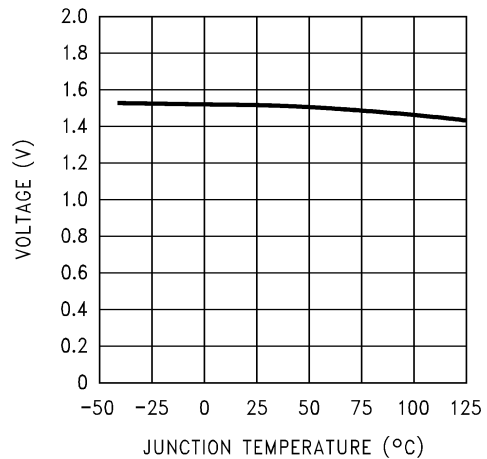


Figure 5-8. ON/OFF Threshold Voltage

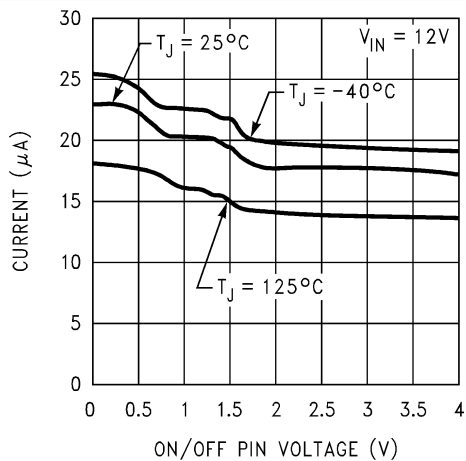


Figure 5-9. ON/OFF Pin Current (Sourcing)

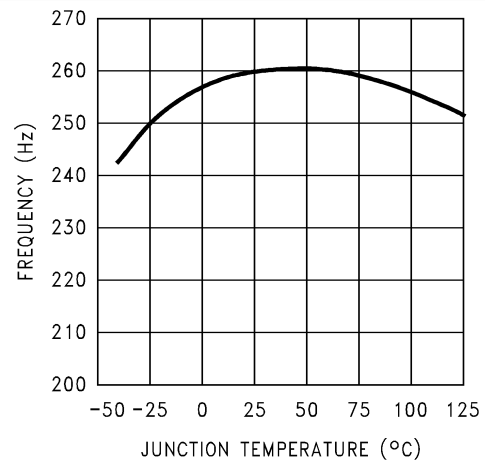


Figure 5-10. Switching Frequency

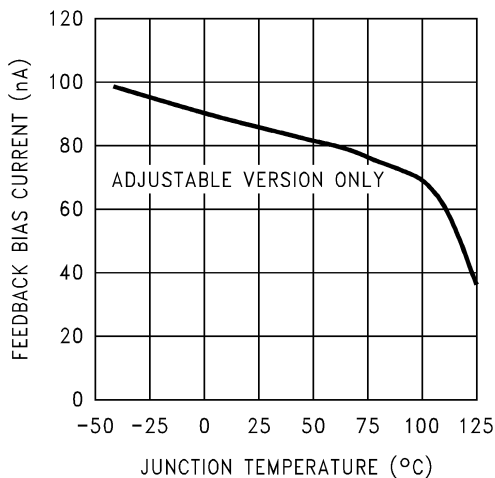
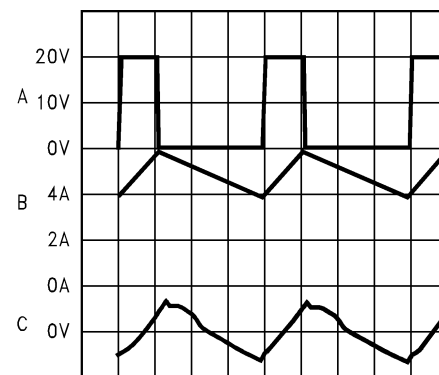


Figure 5-11. Feedback Pin Bias Current



1  $\mu$ sec/Div

Continuous Mode Switching Waveforms,  $V_{IN} = 20\text{ V}$ ,  $V_{OUT} = 5\text{ V}$ ,  $I_{LOAD} = 5\text{ A}$ ,  $L = 10\text{ }\mu\text{H}$ ,  $C_{OUT} = 400\text{ }\mu\text{F}$ ,  $C_{OUTESR} = 13\text{ m}\Omega$

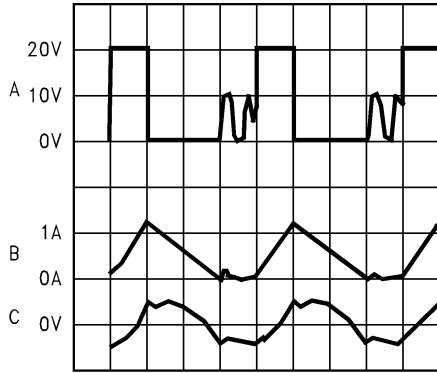
A.  $V_{SW}$  pin voltage = 10 V/div

B. Inductor current = 2 A/div

C. Output ripple voltage = 20 mV/div AC-coupled

Figure 5-12. Horizontal Time Base: 1  $\mu$ s/div

### 5.10 Typical Characteristics (continued)

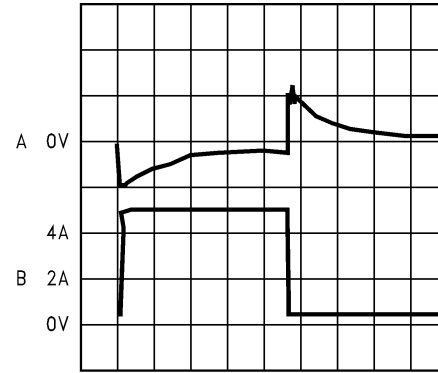


1  $\mu$ sec/Div

Discontinuous Mode Switching Waveforms,  $V_{IN} = 20$  V,  $V_{OUT} = 5$  V,  $I_{LOAD} = 500$  mA,  $L = 10$   $\mu$ H,  $C_{OUT} = 400$   $\mu$ F,  $C_{OUT}ESR = 13$  m $\Omega$

- A.  $V_{SW}$  pin voltage = 10 V/div
- B. Inductor current = 1 A/div
- C. Output ripple voltage = 20 mV/div AC-coupled

**Figure 5-13. Horizontal Time Base: 1  $\mu$ s/div**

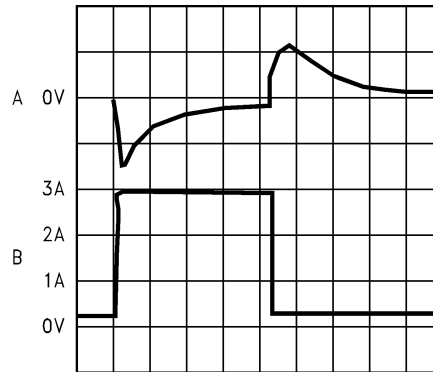


100  $\mu$ sec/Div

Load Transient Response for Continuous Mode,  $V_{IN} = 20$  V,  $V_{OUT} = 5$  V,  $L = 10$   $\mu$ H,  $C_{OUT} = 400$   $\mu$ F,  $C_{OUT}ESR = 13$  m $\Omega$

- A. Output voltage = 100 mV/div, AC-coupled
- B. Load current = 500-mA to 5-A load pulse

**Figure 5-14. Horizontal Time Base: 100  $\mu$ s/div**



200  $\mu$ sec/Div

Load Transient Response for Discontinuous Mode,  $V_{IN} = 20$  V,  $V_{OUT} = 5$  V, vs  $L = 10$   $\mu$ H,  $C_{OUT} = 400$   $\mu$ F,  $C_{OUT}ESR = 13$  m $\Omega$

- A. Output voltage = 100 mV/div, AC-coupled
- B. Load current = 200-mA to 3-A load pulse

**Figure 5-15. Horizontal Time Base: 200  $\mu$ s/div**

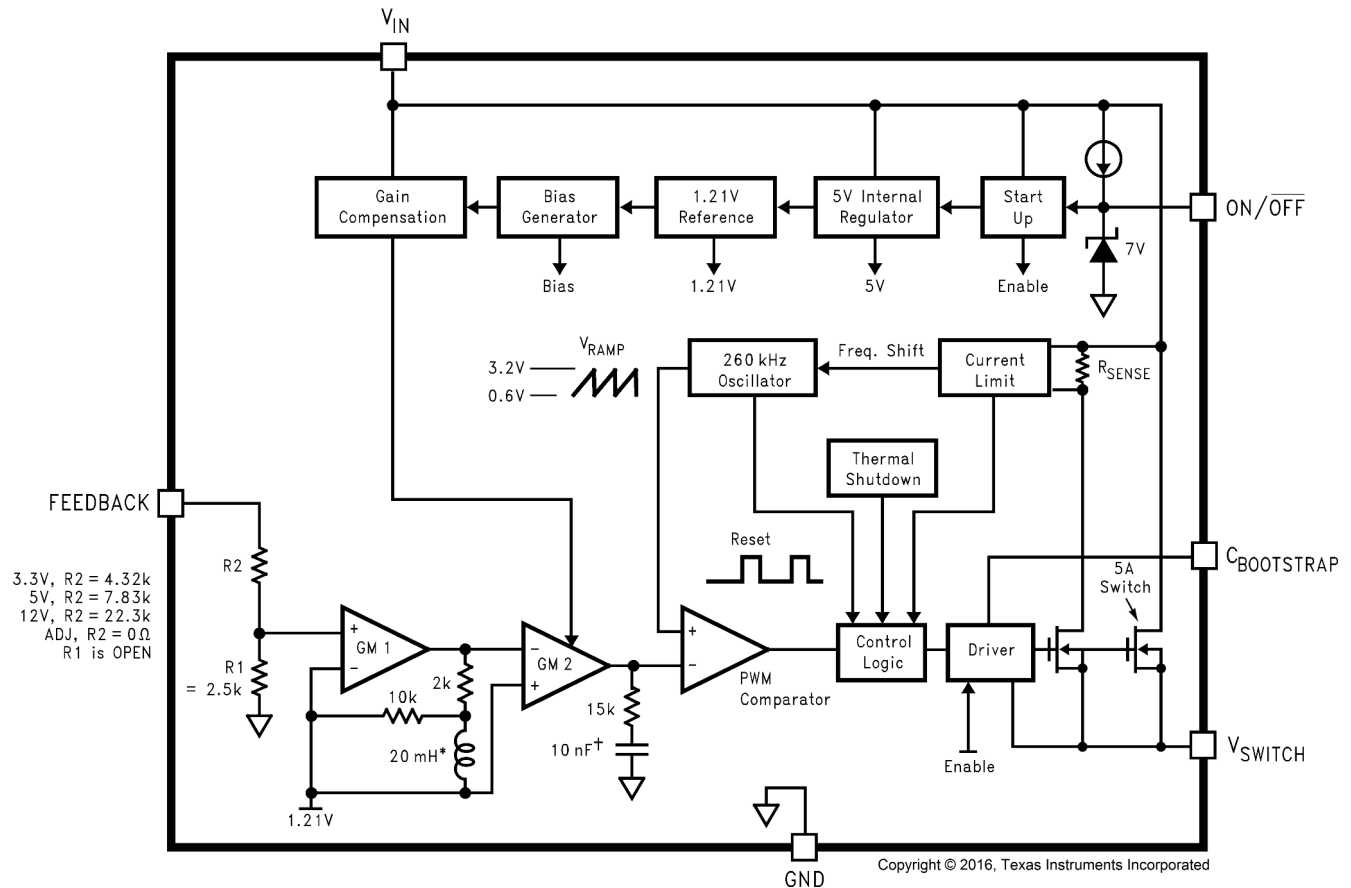
## 6 Detailed Description

### 6.1 Overview

The LM2678 provides all of the active functions required for a step-down (buck) switching regulator. The internal power switch is a DMOS power MOSFET to provide power supply designs with high current capability, up to 5A, and highly efficient operation.

The LM2678 is part of the SIMPLE SWITCHER power converter family. The design support WEBENCH, can also be used to provide instant component selection, circuit performance calculations for evaluation, a bill of materials component list and a circuit schematic for LM2678.

### 6.2 Functional Block Diagram



### 6.3 Feature Description

#### 6.3.1 Switch Output

This is the output of a power MOSFET switch connected directly to the input voltage. The switch provides energy to an inductor, an output capacitor and the load circuitry under control of an internal pulse-width-modulator (PWM). The PWM controller is internally clocked by a fixed 260-kHz oscillator. In a standard step-down application the duty cycle (Time ON/Time OFF) of the power switch is proportional to the ratio of the power supply output voltage to the input voltage. The voltage on pin 1 switches between  $V_{in}$  (switch ON) and below ground by the voltage drop of the external Schottky diode (switch OFF).

### 6.3.2 Input

The input voltage for the power supply is connected to pin 2. In addition to providing energy to the load the input voltage also provides bias for the internal circuitry of the LM2678. For ensured performance the input voltage must be in the range of 8 V to 40 V. For best performance of the power supply the input pin must always be bypassed with an input capacitor located close to pin 2.

### 6.3.3 C Boost

A capacitor must be connected from pin 3 to the switch output, pin 1. This capacitor boosts the gate drive to the internal MOSFET above  $V_{IN}$  to fully turn it ON. This minimizes conduction losses in the power switch to maintain high efficiency. The recommended value for C Boost is 0.01  $\mu$ F.

### 6.3.4 Ground

This is the ground reference connection for all components in the power supply. In fast-switching, high-current applications such as those implemented with the LM2678, TI recommends that a broad ground plane be used to minimize signal coupling throughout the circuit.

### 6.3.5 Feedback

This is the input to a two-stage high gain amplifier, which drives the PWM controller. It is necessary to connect pin 6 to the actual output of the power supply to set the DC output voltage. For the fixed output devices (3.3-V, 5-V and 12-V outputs), a direct wire connection to the output is all that is required as internal gain setting resistors are provided inside the LM2678. For the adjustable output version two external resistors are required to set the DC output voltage. For stable operation of the power supply it is important to prevent coupling of any inductor flux to the feedback input.

### 6.3.6 ON/OFF

This input provides an electrical ON/OFF control of the power supply. Connecting this pin to ground or to any voltage less than 0.8 V is completely turn OFF the regulator. The current drain from the input supply when OFF is only 50  $\mu$ A. Pin 7 has an internal pullup current source of approximately 20  $\mu$ A and a protection clamp Zener diode of 7 V to ground. When electrically driving the ON/  $\overline{\text{OFF}}$  pin the high voltage level for the ON condition must not exceed the 6 V absolute maximum limit. When ON/OFF control is not required pin 7 must be left open circuited.

## 6.4 Device Functional Modes

### 6.4.1 Shutdown Mode

The ON/  $\overline{\text{OFF}}$  pin provides electrical ON and OFF control for the LM2678. When the voltage of this pin is lower than 1.4 V, the device enters shutdown mode. The typical standby current in this mode is 45  $\mu$ A.

### 6.4.2 Active Mode

When the voltage of the ON/  $\overline{\text{OFF}}$  pin is higher than 1.4 V, the device starts switching and the output voltage rises until it reaches a normal regulation voltage.

## 7 Application and Implementation

### Note

Information in the following applications sections is not part of the TI component specification, and TI does not warrant its accuracy or completeness. TI's customers are responsible for determining suitability of components for their purposes, as well as validating and testing their design implementation to confirm system functionality.

### 7.1 Application Information

#### 7.1.1 Design Considerations

Power supply design using the LM2678 is greatly simplified by using recommended external components. A wide range of inductors, capacitors, and Schottky diodes from several manufacturers have been evaluated for use in designs that cover the full range of capabilities (input voltage, output voltage, and load current) of the LM2678. A simple design procedure using nomographs and component tables provided in this data sheet leads to a working design with very little effort.

The individual components from the various manufacturers called out for use are still just a small sample of the vast array of components available in the industry. While these components are recommended, they are not exclusively the only components for use in a design. After a close comparison of component specifications, equivalent devices from other manufacturers can be substituted for use in an application.

Important considerations for each external component and an explanation of how the nomographs and selection tables were developed follows.

#### 7.1.2 Inductor

The inductor is the key component in a switching regulator. For efficiency the inductor stores energy during the switch ON time and then transfers energy to the load while the switch is OFF.

Nomographs are used to select the inductance value required for a given set of operating conditions. The nomographs assume that the circuit is operating in continuous mode (the current flowing through the inductor never falls to zero). The magnitude of inductance is selected to maintain a maximum ripple current of 30% of the maximum load current. If the ripple current exceeds this 30% limit the next larger value is selected.

The inductors offered have been specifically manufactured to provide proper operation under all operating conditions of input and output voltage and load current. Several part types are offered for a given amount of inductance. Both surface mount and through-hole devices are available. The inductors from each of the three manufacturers have unique characteristics.

- Renco: ferrite stick core inductors; benefits are typically lowest cost and can withstand ripple and transient peak currents above the rated value. These inductors have an external magnetic field, which can generate EMI.
- Pulse Engineering: powdered iron toroid core inductors; these also can withstand higher than rated currents and, being toroid inductors, have low EMI.
- Coilcraft: ferrite drum core inductors; these are the smallest physical size inductors and are available only as surface mount components. These inductors also generate EMI but less than stick inductors.

#### 7.1.3 Output Capacitor

The output capacitor acts to smooth the DC output voltage and also provides energy storage. Selection of an output capacitor, with an associated equivalent series resistance (ESR), impacts both the amount of output ripple voltage and stability of the control loop.

The output ripple voltage of the power supply is the product of the capacitor ESR and the inductor ripple current. The capacitor types recommended in the tables were selected for having low ESR ratings.

In addition, both surface mount tantalum capacitors and through-hole aluminum electrolytic capacitors are offered as solutions.

Impacting frequency stability of the overall control loop, the output capacitance, in conjunction with the inductor, creates a double pole inside the feedback loop. In addition the capacitance and the ESR value create a zero. These frequency response effects together with the internal frequency compensation circuitry of the LM2678 modify the gain and phase shift of the closed-loop system.

As a general rule for stable switching regulator circuits it is desired to have the unity gain bandwidth of the circuit to be limited to no more than one-sixth of the controller switching frequency. With the fixed 260-kHz switching frequency of the LM2678, the output capacitor is selected to provide a unity gain bandwidth of 40 kHz maximum. Each recommended capacitor value has been chosen to achieve this result.

In some cases multiple capacitors are required either to reduce the ESR of the output capacitor, to minimize output ripple (a ripple voltage of 1% of  $V_{OUT}$  or less is the assumed performance condition), or to increase the output capacitance to reduce the closed loop unity gain bandwidth (to less than 40 kHz). When parallel combinations of capacitors are required it has been assumed that each capacitor is the exact same part type.

The RMS current and working voltage (WV) ratings of the output capacitor are also important considerations. In a typical step-down switching regulator, the inductor ripple current (set to be no more than 30% of the maximum load current by the inductor selection) is the current that flows through the output capacitor. The capacitor RMS current rating must be greater than this ripple current. The voltage rating of the output capacitor must be greater than 1.3 times the maximum output voltage of the power supply. If operation of the system at elevated temperatures is required, the capacitor voltage rating can be de-rated to less than the nominal room temperature rating. Careful inspection of the manufacturer's specification for de-rating of working voltage with temperature is important.

#### **7.1.4 Input Capacitor**

Fast changing currents in high current switching regulators place a significant dynamic load on the unregulated power source. An input capacitor helps to provide additional current to the power supply as well as smooth out input voltage variations.

Like the output capacitor, the key specifications for the input capacitor are RMS current rating and working voltage. The RMS current flowing through the input capacitor is equal to one-half of the maximum DC load current so the capacitor must be rated to handle this. Paralleling multiple capacitors proportionally increases the current rating of the total capacitance. The voltage rating must also be selected to be 1.3 times the maximum input voltage. Depending on the unregulated input power source, under light load conditions the maximum input voltage can be significantly higher than normal operation and must be considered when selecting an input capacitor.

The input capacitor must be placed very close to the input pin of the LM2678. Due to relative high current operation with fast transient changes, the series inductance of input connecting wires or PCB traces can create ringing signals at the input terminal which can possibly propagate to the output or other parts of the circuitry. It can be necessary in some designs to add a small valued (0.1  $\mu\text{F}$  to 0.47  $\mu\text{F}$ ) ceramic type capacitor in parallel with the input capacitor to prevent or minimize any ringing.

#### **7.1.5 Catch Diode**

When the power switch in the LM2678 turns OFF, the current through the inductor continues to flow. The path for this current is through the diode connected between the switch output and ground. This forward biased diode clamps the switch output to a voltage less than ground. This negative voltage must be greater than  $-1\text{ V}$  so a low voltage drop (particularly at high current levels) Schottky diode is recommended. Total efficiency of the entire power supply is significantly impacted by the power lost in the output catch diode. The average current through the catch diode is dependent on the switch duty cycle (D) and is equal to the load current times (1-D). Use of a diode rated for much higher current than is required by the actual application helps to minimize the voltage drop and power loss in the diode.

During the switch ON time the diode will be reversed biased by the input voltage. The reverse voltage rating of the diode must be at least 1.3 times greater than the maximum input voltage.

### 7.1.6 Boost Capacitor

The boost capacitor creates a voltage used to overdrive the gate of the internal power MOSFET. This improves efficiency by minimizing the ON-resistance of the switch and associated power loss. For all applications it is recommended to use a 0.01- $\mu\text{F}$ , 50-V ceramic capacitor.

### 7.1.7 Additional Application Information

When the output voltage is greater than approximately 6 V, and the duty cycle at minimum input voltage is greater than approximately 50%, the designer must exercise caution in selection of the output filter components. When an application designed to these specific operating conditions is subjected to a current limit fault condition, it can be possible to observe a large hysteresis in the current limit. This can affect the output voltage of the device until the load current is reduced sufficiently to allow the current limit protection circuit to reset itself.

Under current limiting conditions, the LM267x is designed to respond in the following manner:

1. At the moment when the inductor current reaches the current limit threshold, the ON-pulse is immediately terminated. This happens for any application condition.
2. However, the current limit block is also designed to momentarily reduce the duty cycle to below 50% to avoid subharmonic oscillations, which can cause the inductor to saturate.
3. Thereafter, once the inductor current falls below the current limit threshold, there is a small relaxation time during which the duty cycle progressively rises back above 50% to the value required to achieve regulation.

If the output capacitance is sufficiently *large*, it can be possible that as the output tries to recover, the output capacitor charging current is large enough to repeatedly re-trigger the current limit circuit before the output has fully settled. This condition is exacerbated with higher output voltage settings because the energy requirement of the output capacitor varies as the square of the output voltage ( $\frac{1}{2} CV^2$ ), thus requiring an increased charging current.

A simple test to determine if this condition might exist for a suspect application is to apply a short circuit across the output of the converter, and then remove the shorted output condition. In an application with properly selected external components, the output will recover smoothly.

Practical values of external components that have been experimentally found to work well under these specific operating conditions are  $C_{\text{OUT}} = 47 \mu\text{F}$ ,  $L = 22 \mu\text{H}$ . It must be noted that even with these components, for a device's current limit of  $I_{\text{CLIM}}$ , the maximum load current under which the possibility of the large current limit hysteresis can be minimized is  $I_{\text{CLIM}}/2$ . For example, if the input is 24 V and the set output voltage is 18 V, then for a desired maximum current of 1.5 A, the current limit of the chosen switcher must be confirmed to be at least 3 A.

Under extreme overcurrent or short circuit conditions, the LM267X employs frequency foldback in addition to the current limit. If the cycle-by-cycle inductor current increases above the current limit threshold (due to short circuit or inductor saturation for example) the switching frequency is automatically reduced to protect the IC. Frequency below 100 kHz is typical for an extreme short-circuit condition.

## 7.2 Typical Application

### 7.2.1 All Output Voltage Versions

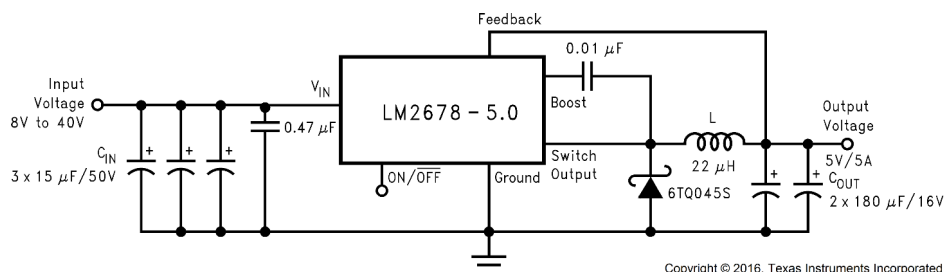


Figure 7-1. Typical Application for All Output Voltage Versions

### 7.2.1.1 Design Requirements

Select the power supply operating conditions and the maximum output current and follow below procedures to find the external components for LM2678.

### 7.2.1.2 Detailed Design Procedure

#### 7.2.1.2.1 Custom Design With WEBENCH® Tools

[Click here](#) to create a custom design using the LM2678 device with the WEBENCH® Power Designer.

1. Start by entering the input voltage ( $V_{IN}$ ), output voltage ( $V_{OUT}$ ), and output current ( $I_{OUT}$ ) requirements.
2. Optimize the design for key parameters such as efficiency, footprint, and cost using the optimizer dial.
3. Compare the generated design with other possible solutions from Texas Instruments.

The WEBENCH Power Designer provides a customized schematic along with a list of materials with real-time pricing and component availability.

In most cases, these actions are available:

- Run electrical simulations to see important waveforms and circuit performance
- Run thermal simulations to understand board thermal performance
- Export customized schematic and layout into popular CAD formats
- Print PDF reports for the design, and share the design with colleagues

Get more information about WEBENCH tools at [www.ti.com/WEBENCH](http://www.ti.com/WEBENCH).

Using the nomographs and tables in this data sheet (or use the available design software at [www.ti.com](http://www.ti.com)) a complete step-down regulator can be designed in a few simple steps.

Step 1: Define the power supply operating conditions:

- Required output voltage
- Maximum DC input voltage
- Maximum output load current

Step 2: Set the output voltage by selecting a fixed output LM2678 (3.3-V, 5-V, or 12-V applications) or determine the required feedback resistors for use with the adjustable LM2678-ADJ

Step 3: Determine the inductor required by using one of the four nomographs, [Figure 7-2](#) through [Figure 7-5](#). [Table 7-3](#) provides a specific manufacturer and part number for the inductor.

Step 4: Using [Table 7-5](#) (fixed output voltage) or [Table 7-9](#) (adjustable output voltage), determine the output capacitance required for stable operation. [Table 7-1](#) provides the specific capacitor type from the manufacturer of choice.

Step 5: Determine an input capacitor from [Table 7-5](#) for fixed output voltage applications. Use [Table 7-1](#) to find the specific capacitor type. For adjustable output circuits select a capacitor from [Table 7-1](#) with a sufficient working voltage (WV) rating greater than  $V_{IN}$  max, and an RMS current rating greater than one-half the maximum load current (2 or more capacitors in parallel can be required).

Step 6: Select a diode from [Table 7-4](#). The current rating of the diode must be greater than  $I_{LOAD}$  max and the reverse voltage rating must be greater than  $V_{IN}$  maximum.

Step 7: Include a 0.01- $\mu$ F, 50-V capacitor for  $C_{BOOST}$  in the design.

## 7.2.1.2.2 Capacitor Selection Guides

Table 7-1. Input and Output Capacitor Codes – Surface Mount

| CAPACITOR<br>REFERENCE<br>CODE | SURFACE MOUNT  |        |                      |                     |        |                      |                   |        |                      |
|--------------------------------|----------------|--------|----------------------|---------------------|--------|----------------------|-------------------|--------|----------------------|
|                                | AVX TPS SERIES |        |                      | SPRAGUE 594D SERIES |        |                      | KEMET T495 SERIES |        |                      |
|                                | C (μF)         | WV (V) | I <sub>rms</sub> (A) | C (μF)              | WV (V) | I <sub>rms</sub> (A) | C (μF)            | WV (V) | I <sub>rms</sub> (A) |
| C1                             | 330            | 6.3    | 1.15                 | 120                 | 6.3    | 1.1                  | 100               | 6.3    | 0.82                 |
| C2                             | 100            | 10     | 1.1                  | 220                 | 6.3    | 1.4                  | 220               | 6.3    | 1.1                  |
| C3                             | 220            | 10     | 1.15                 | 68                  | 10     | 1.05                 | 330               | 6.3    | 1.1                  |
| C4                             | 47             | 16     | 0.89                 | 150                 | 10     | 1.35                 | 100               | 10     | 1.1                  |
| C5                             | 100            | 16     | 1.15                 | 47                  | 16     | 1                    | 150               | 10     | 1.1                  |
| C6                             | 33             | 20     | 0.77                 | 100                 | 16     | 1.3                  | 220               | 10     | 1.1                  |
| C7                             | 68             | 20     | 0.94                 | 180                 | 16     | 1.95                 | 33                | 20     | 0.78                 |
| C8                             | 22             | 25     | 0.77                 | 47                  | 20     | 1.15                 | 47                | 20     | 0.94                 |
| C9                             | 10             | 35     | 0.63                 | 33                  | 25     | 1.05                 | 68                | 20     | 0.94                 |
| C10                            | 22             | 35     | 0.66                 | 68                  | 25     | 1.6                  | 10                | 35     | 0.63                 |
| C11                            | —              | —      | —                    | 15                  | 35     | 0.75                 | 22                | 35     | 0.63                 |
| C12                            | —              | —      | —                    | 33                  | 35     | 1                    | 4.7               | 50     | 0.66                 |
| C13                            | —              | —      | —                    | 15                  | 50     | 0.9                  | —                 | —      | —                    |

**Table 7-2. Input and Output Capacitor Codes – Through Hole**

| CAPACITOR<br>REFERENCE<br>CODE | THROUGH HOLE           |        |          |                    |        |          |                    |        |          |                      |        |          |
|--------------------------------|------------------------|--------|----------|--------------------|--------|----------|--------------------|--------|----------|----------------------|--------|----------|
|                                | SANYO OS-CON SA SERIES |        |          | SANYO MV-GX SERIES |        |          | NICHICON PL SERIES |        |          | PANASONIC HFQ SERIES |        |          |
|                                | C (μF)                 | WV (V) | Irms (A) | C (μF)             | WV (V) | Irms (A) | C (μF)             | WV (V) | Irms (A) | C (μF)               | WV (V) | Irms (A) |
| C1                             | 47                     | 6.3    | 1        | 1000               | 6.3    | 0.8      | 680                | 10     | 0.8      | 82                   | 35     | 0.4      |
| C2                             | 150                    | 6.3    | 1.95     | 270                | 16     | 0.6      | 820                | 10     | 0.98     | 120                  | 35     | 0.44     |
| C3                             | 330                    | 6.3    | 2.45     | 470                | 16     | 0.75     | 1000               | 10     | 1.06     | 220                  | 35     | 0.76     |
| C4                             | 100                    | 10     | 1.87     | 560                | 16     | 0.95     | 1200               | 10     | 1.28     | 330                  | 35     | 1.01     |
| C5                             | 220                    | 10     | 2.36     | 820                | 16     | 1.25     | 2200               | 10     | 1.71     | 560                  | 35     | 1.4      |
| C6                             | 33                     | 16     | 0.96     | 1000               | 16     | 1.3      | 3300               | 10     | 2.18     | 820                  | 35     | 1.62     |
| C7                             | 100                    | 16     | 1.92     | 150                | 35     | 0.65     | 3900               | 10     | 2.36     | 1000                 | 35     | 1.73     |
| C8                             | 150                    | 16     | 2.28     | 470                | 35     | 1.3      | 6800               | 10     | 2.68     | 2200                 | 35     | 2.8      |
| C9                             | 100                    | 20     | 2.25     | 680                | 35     | 1.4      | 180                | 16     | 0.41     | 56                   | 50     | 0.36     |
| C10                            | 47                     | 25     | 2.09     | 1000               | 35     | 1.7      | 270                | 16     | 0.55     | 100                  | 50     | 0.5      |
| C11                            | —                      | —      | —        | 220                | 63     | 0.76     | 470                | 16     | 0.77     | 220                  | 50     | 0.92     |
| C12                            | —                      | —      | —        | 470                | 63     | 1.2      | 680                | 16     | 1.02     | 470                  | 50     | 1.44     |
| C13                            | —                      | —      | —        | 680                | 63     | 1.5      | 820                | 16     | 1.22     | 560                  | 50     | 1.68     |
| C14                            | —                      | —      | —        | 1000               | 63     | 1.75     | 1800               | 16     | 1.88     | 1200                 | 50     | 2.22     |
| C15                            | —                      | —      | —        | —                  | —      | —        | 220                | 25     | 0.63     | 330                  | 63     | 1.42     |
| C16                            | —                      | —      | —        | —                  | —      | —        | 220                | 35     | 0.79     | 1500                 | 63     | 2.51     |
| C17                            | —                      | —      | —        | —                  | —      | —        | 560                | 35     | 1.43     | —                    | —      | —        |
| C18                            | —                      | —      | —        | —                  | —      | —        | 2200               | 35     | 2.68     | —                    | —      | —        |
| C19                            | —                      | —      | —        | —                  | —      | —        | 150                | 50     | 0.82     | —                    | —      | —        |
| C20                            | —                      | —      | —        | —                  | —      | —        | 220                | 50     | 1.04     | —                    | —      | —        |
| C21                            | —                      | —      | —        | —                  | —      | —        | 330                | 50     | 1.3      | —                    | —      | —        |
| C22                            | —                      | —      | —        | —                  | —      | —        | 100                | 63     | 0.75     | —                    | —      | —        |
| C23                            | —                      | —      | —        | —                  | —      | —        | 390                | 63     | 1.62     | —                    | —      | —        |
| C24                            | —                      | —      | —        | —                  | —      | —        | 820                | 63     | 2.22     | —                    | —      | —        |
| C25                            | —                      | —      | —        | —                  | —      | —        | 1200               | 63     | 2.51     | —                    | —      | —        |

**Table 7-3. Inductor Manufacturer Part Numbers**

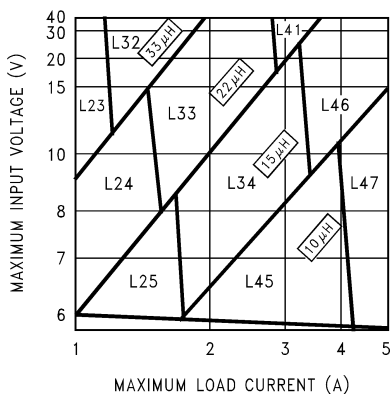
| INDUCTOR<br>REFERENCE<br>NUMBER | INDUCTANCE<br>(μH) | CURRENT<br>(A) | RENCO         |               | PULSE ENGINEERING |               | COILCRAFT     |
|---------------------------------|--------------------|----------------|---------------|---------------|-------------------|---------------|---------------|
|                                 |                    |                | THROUGH HOLE  | SURFACE MOUNT | THROUGH HOLE      | SURFACE MOUNT | SURFACE MOUNT |
| L23                             | 33                 | 1.35           | RL-5471-7     | RL1500-33     | PE-53823          | PE-53823S     | DO3316-333    |
| L24                             | 22                 | 1.65           | RL-1283-22-43 | RL1500-22     | PE-53824          | PE-53824S     | DO3316-223    |
| L25                             | 15                 | 2              | RL-1283-15-43 | RL1500-15     | PE-53825          | PE-53825S     | DO3316-153    |
| L29                             | 100                | 1.41           | RL-5471-4     | RL-6050-100   | PE-53829          | PE-53829S     | DO5022P-104   |
| L30                             | 68                 | 1.71           | RL-5471-5     | RL6050-68     | PE-53830          | PE-53830S     | DO5022P-683   |
| L31                             | 47                 | 2.06           | RL-5471-6     | RL6050-47     | PE-53831          | PE-53831S     | DO5022P-473   |
| L32                             | 33                 | 2.46           | RL-5471-7     | RL6050-33     | PE-53932          | PE-53932S     | DO5022P-333   |
| L33                             | 22                 | 3.02           | RL-1283-22-43 | RL6050-22     | PE-53933          | PE-53933S     | DO5022P-223   |
| L34                             | 15                 | 3.65           | RL-1283-15-43 | —             | PE-53934          | PE-53934S     | DO5022P-153   |
| L38                             | 68                 | 2.97           | RL-5472-2     | —             | PE-54038          | PE-54038S     | —             |
| L39                             | 47                 | 3.57           | RL-5472-3     | —             | PE-54039          | PE-54039S     | —             |
| L40                             | 33                 | 4.26           | RL-1283-33-43 | —             | PE-54040          | PE-54040S     | —             |
| L41                             | 22                 | 5.22           | RL-1283-22-43 | —             | PE-54041          | P0841         | —             |
| L44                             | 68                 | 3.45           | RL-5473-3     | —             | PE-54044          | —             | —             |
| L45                             | 10                 | 4.47           | RL-1283-10-43 | —             | —                 | P0845         | DO5022P-103HC |
| L46                             | 15                 | 5.6            | RL-1283-15-43 | —             | —                 | P0846         | DO5022P-153HC |
| L47                             | 10                 | 5.66           | RL-1283-10-43 | —             | —                 | P0847         | DO5022P-103HC |
| L48                             | 47                 | 5.61           | RL-1282-47-43 | —             | —                 | P0848         | —             |
| L49                             | 33                 | 5.61           | RL-1282-33-43 | —             | —                 | P0849         | —             |

**Table 7-4. Schottky Diode Selection Table**

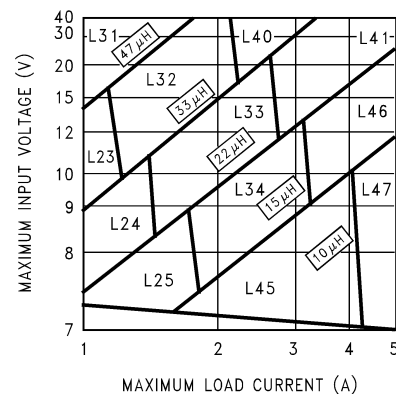
| REVERSE VOLTAGE (V) | SURFACE MOUNT   |             | THROUGH HOLE     |             |
|---------------------|-----------------|-------------|------------------|-------------|
|                     | 3 A             | 5 A OR MORE | 3 A              | 5 A OR MORE |
| 20                  | SK32            | —           | 1N5820<br>SR302  | —           |
| 30                  | SK33<br>30WQ03F | MBRD835L    | 1N5821<br>31DQ03 | —           |
| 40                  | SK34            | MBRD1545CT  | 1N5822           | 1N5825      |
|                     | 30BQ040         | 6TQ045S     | MBR340           | MBR745      |
|                     | 30WQ04F         | —           | 31DQ04           | 80SQ045     |
|                     | MBRS340         | —           | SR403            | 6TQ045      |
|                     | MBRD340         | —           | —                | —           |
| 50 or more          | SK35            | —           | MBR350           | —           |
|                     | 30WQ05F         | —           | 31DQ05           | —           |
|                     | —               | —           | SR305            | —           |

**7.2.1.3 Application Curves**

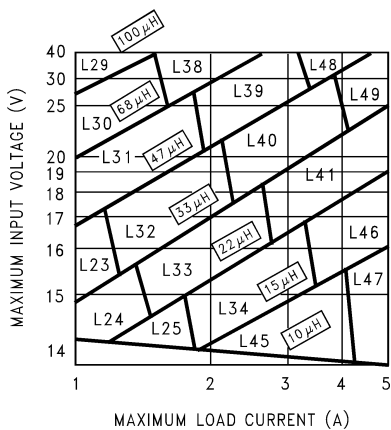
For continuous mode operation



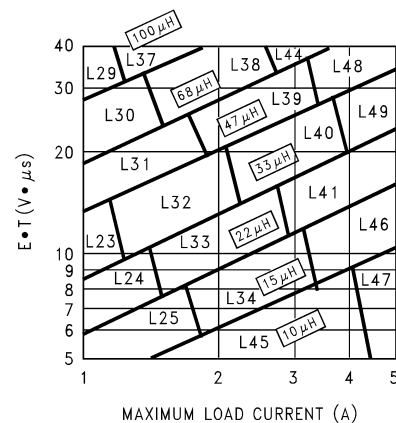
**Figure 7-2. LM2678-3.3**



**Figure 7-3. LM2678-5**

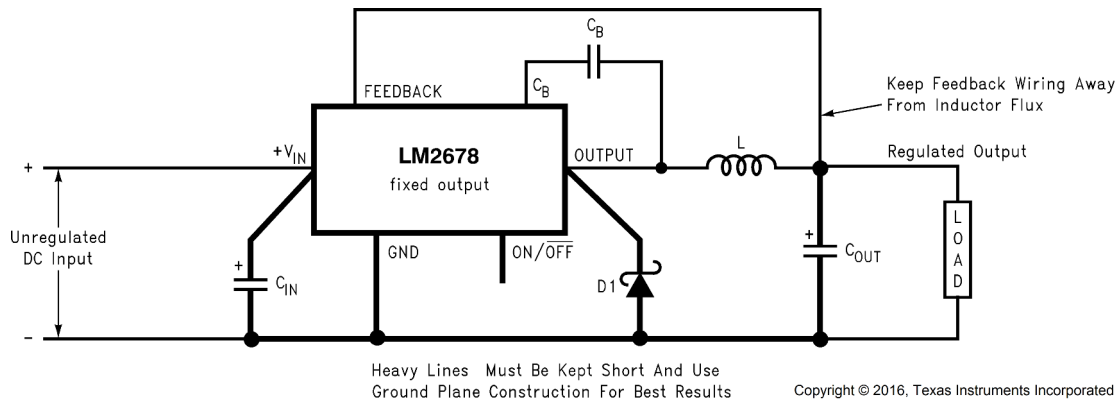


**Figure 7-4. LM2678-12**



**Figure 7-5. LM2678-Adjustable**

## 7.2.2 Fixed Output Voltage Design Example



**Figure 7-6. Basic Circuit for Fixed Output Voltage Applications**

### 7.2.2.1 Detailed Design Procedure

A system logic power supply bus of 3.3 V is to be generated from a wall adapter which provides an unregulated DC voltage of 13 V to 16 V. The maximum load current is 4 A. Through-hole components are preferred.

Step 1: Operating conditions are:

- $V_{OUT} = 3.3\text{ V}$
- $V_{IN\text{ max}} = 16\text{ V}$
- $I_{LOAD\text{ max}} = 4\text{ A}$

Step 2: Select a LM2678 3.3-V. The output voltage has a tolerance of  $\pm 2\%$  at room temperature and  $\pm 3\%$  over the full operating temperature range.

Step 3: Use the nomograph for the 3.3-V device, [Figure 7-2](#). The intersection of the 16-V horizontal line ( $V_{in\text{ max}}$ ) and the 4-A vertical line ( $I_{load\text{ max}}$ ) indicates that L46, a 15- $\mu\text{H}$  inductor, is required.

From [Table 7-3](#), L46 in a through-hole component is available from Renco with part number RL-1283-15-43.

Step 4: Use [Table 7-5](#) to determine an output capacitor. With a 3.3-V output and a 15- $\mu\text{H}$  inductor there are four through-hole output capacitor solutions with the number of same type capacitors to be paralleled and an identifying capacitor code given. [Table 7-1](#) provides the actual capacitor characteristics. Any of the following choices work in the circuit:

- 2  $\times$  220- $\mu\text{F}$ , 10-V Sanyo OS-CON (code C5)
- 2  $\times$  820- $\mu\text{F}$ , 16-V Sanyo MV-GX (code C5)
- 1  $\times$  3900- $\mu\text{F}$ , 10-V Nichicon PL (code C7)
- 2  $\times$  560- $\mu\text{F}$ , 35-V Panasonic HFQ (code C5)

Step 5: Use [Table 7-5](#) to select an input capacitor. With 3.3-V output and 15  $\mu\text{H}$  there are three through-hole solutions. These capacitors provide a sufficient voltage rating and an RMS current rating greater than 2 A ( $1/2 I_{load\text{ max}}$ ). Again using [Table 7-1](#) for specific component characteristics the following choices are suitable:

- 2  $\times$  680- $\mu\text{F}$ , 63-V Sanyo MV-GX (code C13)
- 1  $\times$  1200- $\mu\text{F}$ , 63-V Nichicon PL (code C25)
- 1  $\times$  1500- $\mu\text{F}$ , 63-V Panasonic HFQ (code C16)

Step 6: From [Table 7-4](#) a 5-A or more Schottky diode must be selected. For through-hole components only 40-V rated diodes are indicated and 4 part types are suitable:

- 1N5825
- MBR745
- 80SQ045
- 6TQ045

Step 7: A 0.01- $\mu\text{F}$  capacitor is used for  $C_{BOOST}$ .

### 7.2.2.1.1 Capacitor Selection

**Table 7-5. Output Capacitors for Fixed Output Voltage Application—Surface Mount (1) (2)**

| OUTPUT VOLTAGE (V) | INDUCTANCE (μH) | SURFACE MOUNT  |        |                     |        |                   |        |
|--------------------|-----------------|----------------|--------|---------------------|--------|-------------------|--------|
|                    |                 | AVX TPS SERIES |        | SPRAGUE 594D SERIES |        | KEMET T495 SERIES |        |
|                    |                 | NO.            | C CODE | NO.                 | C CODE | NO.               | C CODE |
| 3.3                | 10              | 5              | C1     | 5                   | C1     | 5                 | C2     |
|                    | 15              | 4              | C1     | 4                   | C1     | 4                 | C3     |
|                    | 22              | 3              | C2     | 2                   | C7     | 3                 | C4     |
|                    | 33              | 1              | C1     | 2                   | C7     | 3                 | C4     |
| 5                  | 10              | 4              | C2     | 4                   | C6     | 4                 | C4     |
|                    | 15              | 3              | C3     | 2                   | C7     | 3                 | C5     |
|                    | 22              | 3              | C2     | 2                   | C7     | 3                 | C4     |
|                    | 33              | 2              | C2     | 2                   | C3     | 2                 | C4     |
|                    | 47              | 2              | C2     | 1                   | C7     | 2                 | C4     |
| 12                 | 10              | 4              | C5     | 3                   | C6     | 5                 | C9     |
|                    | 15              | 3              | C5     | 2                   | C7     | 4                 | C9     |
|                    | 22              | 2              | C5     | 2                   | C6     | 3                 | C8     |
|                    | 33              | 2              | C5     | 1                   | C7     | 3                 | C8     |
|                    | 47              | 2              | C4     | 1                   | C6     | 2                 | C8     |
|                    | 68              | 1              | C5     | 1                   | C5     | 2                 | C7     |
|                    | 100             | 1              | C4     | 1                   | C5     | 1                 | C8     |

- (1) No. represents the number of identical capacitor types to be connected in parallel.  
(2) C Code indicates the Capacitor Reference number in [Table 7-1](#) and [Table 7-2](#) for identifying the specific component from the manufacturer.

**Table 7-6. Output Capacitors for Fixed Output Voltage Application—Through Hole (1) (2)**

| OUTPUT VOLTAGE (V) | INDUCTANCE (μH) | THROUGH HOLE           |        |                    |        |                    |        |                      |        |
|--------------------|-----------------|------------------------|--------|--------------------|--------|--------------------|--------|----------------------|--------|
|                    |                 | SANYO OS-CON SA SERIES |        | SANYO MV-GX SERIES |        | NICHICON PL SERIES |        | PANASONIC HFQ SERIES |        |
|                    |                 | NO.                    | C CODE | NO.                | C CODE | NO.                | C CODE | NO.                  | C CODE |
| 3.3                | 10              | 2                      | C5     | 2                  | C6     | 1                  | C8     | 2                    | C6     |
|                    | 15              | 2                      | C5     | 2                  | C5     | 1                  | C7     | 2                    | C5     |
|                    | 22              | 1                      | C5     | 1                  | C10    | 1                  | C5     | 1                    | C7     |
|                    | 33              | 1                      | C5     | 1                  | C10    | 1                  | C5     | 1                    | C7     |
| 5                  | 10              | 2                      | C4     | 2                  | C5     | 1                  | C6     | 2                    | C5     |
|                    | 15              | 1                      | C5     | 1                  | C10    | 1                  | C5     | 1                    | C7     |
|                    | 22              | 1                      | C5     | 1                  | C9     | 1                  | C5     | 1                    | C5     |
|                    | 33              | 1                      | C4     | 1                  | C5     | 1                  | C4     | 1                    | C4     |
|                    | 47              | 1                      | C4     | 1                  | C4     | 1                  | C2     | 2                    | C4     |
| 12                 | 10              | 2                      | C7     | 1                  | C10    | 1                  | C14    | 2                    | C4     |
|                    | 15              | 1                      | C8     | 1                  | C6     | 1                  | C17    | 1                    | C5     |
|                    | 22              | 1                      | C7     | 1                  | C5     | 1                  | C13    | 1                    | C5     |
|                    | 33              | 1                      | C7     | 1                  | C4     | 1                  | C12    | 1                    | C4     |
|                    | 47              | 1                      | C7     | 1                  | C3     | 1                  | C11    | 1                    | C3     |
|                    | 68              | 1                      | C6     | 1                  | C2     | 1                  | C10    | 1                    | C3     |
|                    | 100             | 1                      | C6     | 1                  | C2     | 1                  | C9     | 1                    | C1     |

- (1) No. represents the number of identical capacitor types to be connected in parallel.  
(2) C Code indicates the Capacitor Reference number in [Table 7-1](#) and [Table 7-2](#) for identifying the specific component from the manufacturer.

**Table 7-7. Input Capacitors for Fixed Output Voltage Application—Surface Mount (1) (2) (3)**

| OUTPUT VOLTAGE (V) | INDUCTANCE (μH) | SURFACE MOUNT      |                    |                     |        |                   |        |
|--------------------|-----------------|--------------------|--------------------|---------------------|--------|-------------------|--------|
|                    |                 | AVX TPS SERIES     |                    | SPRAGUE 594D SERIES |        | KEMET T495 SERIES |        |
|                    |                 | NO.                | C CODE             | NO.                 | C CODE | NO.               | C CODE |
| 3.3                | 10              | 3                  | C7                 | 2                   | C10    | 3                 | C9     |
|                    | 15              | See <sup>(4)</sup> | See <sup>(4)</sup> | 3                   | C13    | 4                 | C12    |
|                    | 22              | See <sup>(4)</sup> | See <sup>(4)</sup> | 2                   | C13    | 3                 | C12    |
|                    | 33              | See <sup>(4)</sup> | See <sup>(4)</sup> | 2                   | C13    | 3                 | C12    |
| 5                  | 10              | 3                  | C4                 | 2                   | C6     | 3                 | C9     |
|                    | 15              | 4                  | C9                 | 3                   | C12    | 4                 | C10    |
|                    | 22              | See <sup>(4)</sup> | See <sup>(4)</sup> | 3                   | C13    | 4                 | C12    |
|                    | 33              | See <sup>(4)</sup> | See <sup>(4)</sup> | 2                   | C13    | 3                 | C12    |
|                    | 47              | See <sup>(4)</sup> | See <sup>(4)</sup> | 1                   | C13    | 2                 | C12    |
| 12                 | 10              | 4                  | C9                 | 2                   | C10    | 4                 | C10    |
|                    | 15              | 4                  | C8                 | 2                   | C10    | 4                 | C10    |
|                    | 22              | 4                  | C9                 | 3                   | C12    | 4                 | C10    |
|                    | 33              | See <sup>(4)</sup> | See <sup>(4)</sup> | 3                   | C13    | 4                 | C12    |
|                    | 47              | See <sup>(4)</sup> | See <sup>(4)</sup> | 2                   | C13    | 3                 | C12    |
|                    | 68              | See <sup>(4)</sup> | See <sup>(4)</sup> | 2                   | C13    | 2                 | C12    |
|                    | 100             | See <sup>(4)</sup> | See <sup>(4)</sup> | 1                   | C13    | 2                 | C12    |

- (1) No. represents the number of identical capacitor types to be connected in parallel.
- (2) C Code indicates the Capacitor Reference number in [Table 7-1](#) and [Table 7-2](#) for identifying the specific component from the manufacturer.
- (3) Assumes worst case maximum input voltage and load current for a given inductance value.
- (4) Check voltage rating of capacitors to be greater than application input voltage.

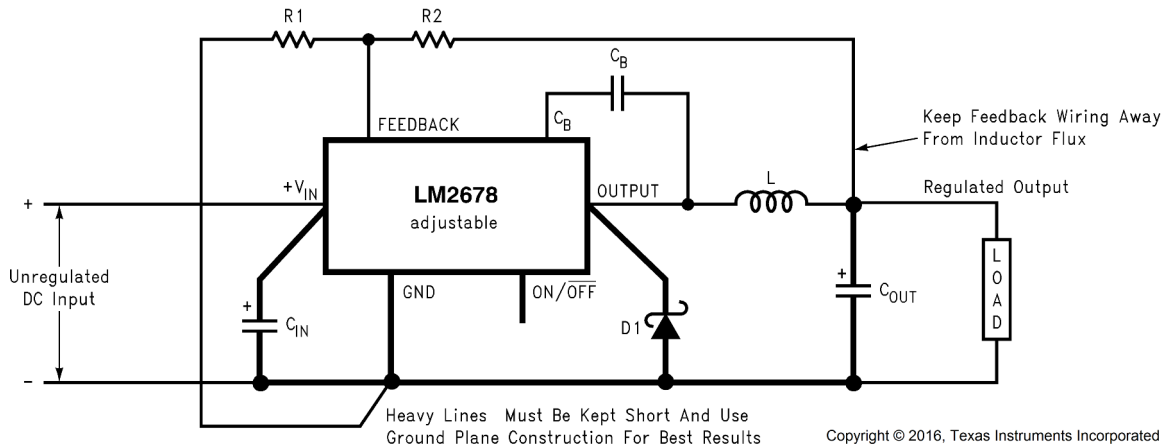
**Table 7-8. Input Capacitors for Fixed Output Voltage Application—Through Hole (1) (2) (3)**

| OUTPUT VOLTAGE (V) | INDUCTANCE (μH) | THROUGH HOLE           |                    |                    |        |                    |        |                      |        |
|--------------------|-----------------|------------------------|--------------------|--------------------|--------|--------------------|--------|----------------------|--------|
|                    |                 | SANYO OS-CON SA SERIES |                    | SANYO MV-GX SERIES |        | NICHICON PL SERIES |        | PANASONIC HFQ SERIES |        |
|                    |                 | NO.                    | C CODE             | NO.                | C CODE | NO.                | C CODE | NO.                  | C CODE |
| 3.3                | 10              | 2                      | C9                 | 2                  | C8     | 1                  | C18    | 1                    | C8     |
|                    | 15              | See <sup>(4)</sup>     | See <sup>(4)</sup> | 2                  | C13    | 1                  | C25    | 1                    | C16    |
|                    | 22              | See <sup>(4)</sup>     | See <sup>(4)</sup> | 1                  | C14    | 1                  | C24    | 1                    | C16    |
|                    | 33              | See <sup>(4)</sup>     | See <sup>(4)</sup> | 1                  | C14    | 1                  | C24    | 1                    | C16    |
| 5                  | 10              | 2                      | C7                 | 2                  | C8     | 1                  | C25    | 1                    | C8     |
|                    | 15              | See <sup>(4)</sup>     | See <sup>(4)</sup> | 2                  | C8     | 1                  | C25    | 1                    | C8     |
|                    | 22              | See <sup>(4)</sup>     | See <sup>(4)</sup> | 2                  | C13    | 1                  | C25    | 1                    | C16    |
|                    | 33              | See <sup>(4)</sup>     | See <sup>(4)</sup> | 1                  | C14    | 1                  | C23    | 1                    | C13    |
|                    | 47              | See <sup>(4)</sup>     | See <sup>(4)</sup> | 1                  | C12    | 1                  | C19    | 1                    | C11    |
| 12                 | 10              | 2                      | C10                | 2                  | C8     | 1                  | C18    | 1                    | C8     |
|                    | 15              | 2                      | C10                | 2                  | C8     | 1                  | C18    | 1                    | C8     |
|                    | 22              | See <sup>(4)</sup>     | See <sup>(4)</sup> | 2                  | C8     | 1                  | C18    | 1                    | C8     |
|                    | 33              | See <sup>(4)</sup>     | See <sup>(4)</sup> | 2                  | C12    | 1                  | C24    | 1                    | C14    |
|                    | 47              | See <sup>(4)</sup>     | See <sup>(4)</sup> | 1                  | C14    | 1                  | C23    | 1                    | C13    |
|                    | 68              | See <sup>(4)</sup>     | See <sup>(4)</sup> | 1                  | C13    | 1                  | C21    | 1                    | C15    |
|                    | 100             | See <sup>(4)</sup>     | See <sup>(4)</sup> | 1                  | C11    | 1                  | C22    | 1                    | C11    |

- (1) No. represents the number of identical capacitor types to be connected in parallel.
- (2) C Code indicates the Capacitor Reference number in [Table 7-1](#) and [Table 7-2](#) for identifying the specific component from the manufacturer.
- (3) Assumes worst case maximum input voltage and load current for a given inductance value.
- (4) Check voltage rating of capacitors to be greater than application input voltage.

### 7.2.3 Adjustable Output Design Example

Locate the Programming Resistors near the Feedback Pin Using Short Leads



**Figure 7-7. Basic Circuit for Adjustable Output Voltage Applications**

#### 7.2.3.1 Detailed Design Procedure

In this example it is desired to convert the voltage from a two battery automotive power supply (voltage range of 20 V to 28 V, typical in large truck applications) to the 14.8-VDC alternator supply typically used to power electronic equipment from single battery 12-V vehicle systems. The load current required is 3.5 A maximum. It is also desired to implement the power supply with all surface mount components.

Step 1: Operating conditions are:

- $V_{OUT} = 14.8 \text{ V}$
- $V_{IN \text{ max}} = 28 \text{ V}$
- $I_{LOAD \text{ max}} = 3.5 \text{ A}$

Step 2: Select an LM2678S-ADJ. To set the output voltage to 14.9-V two resistors need to be chosen ( $R_1$  and  $R_2$  in [Figure 7-7](#)). For the adjustable device the output voltage is set by [Equation 1](#).

$$V_{OUT} = V_{FB} \left( 1 + \frac{R_2}{R_1} \right) \quad (1)$$

where

- $V_{FB}$  is the feedback voltage of typically 1.21 V

A recommended value to use for  $R_1$  is 1k. In this example then  $R_2$  is determined with [Equation 2](#).

$$R_2 = R_1 \left( \frac{V_{OUT}}{V_{FB}} - 1 \right) = 1 \text{ k}\Omega \left( \frac{14.8 \text{ V}}{1.21 \text{ V}} - 1 \right) \quad (2)$$

where

- $R_2 = 11.23 \text{ k}\Omega$

The closest standard 1% tolerance value to use is 11.3 k $\Omega$ .

This sets the nominal output voltage to 14.88 V which is within 0.5% of the target value.

Step 3: To use the nomograph for the adjustable device, [Figure 7-5](#), requires a calculation of the inductor Volt • microsecond constant ( $E \cdot T$  expressed in  $\text{V} \cdot \mu\text{S}$ ) from [Equation 3](#).

$$E \cdot T = (V_{IN(MAX)} - V_{OUT} - V_{SAT}) \cdot \frac{V_{OUT} + V_D}{V_{IN(MAX)} - V_{SAT} + V_D} \cdot \frac{1000}{260} (V \cdot \mu s) \quad (3)$$

where

- $V_{SAT}$  is the voltage drop across the internal power switch which is  $R_{ds(ON)}$  times  $I_{load}$

In this example this can be typically  $0.12 \Omega \times 3.5 \text{ A}$  or  $0.42 \text{ V}$  and  $V_D$  is the voltage drop across the forward biased Schottky diode, typically  $0.5 \text{ V}$ . The switching frequency of  $260 \text{ kHz}$  is the nominal value to use to estimate the ON time of the switch during which energy is stored in the inductor.

For this example,  $E \cdot T$  is found with [Equation 4](#) and [Equation 5](#).

$$E \cdot T = (28 - 14.8 - 0.42) \cdot \frac{14.8 + 0.5}{28 - 0.42 + 0.5} \cdot \frac{1000}{260} (V \cdot \mu s) \quad (4)$$

$$E \cdot T = (12.78 \text{ V}) \cdot \frac{15.3 \text{ V}}{28.08 \text{ V}} \cdot 3.85 (V \cdot \mu s) = 26.8 (V \cdot \mu s) \quad (5)$$

Using [Figure 7-5](#), the intersection of  $27 \text{ V} \cdot \mu\text{s}$  horizontally and the  $3.5 \text{ A}$  vertical line ( $I_{LOAD \text{ max}}$ ) indicates that L48, a  $47\text{-}\mu\text{H}$  inductor, or L49, a  $33\text{-}\mu\text{H}$  inductor can be used. Either inductor will be suitable, but for this example selecting the larger inductance results in lower ripple current.

From [Table 7-3](#), L48 in a surface mount component is available from Pulse Engineering with part number P0848.

Step 4: Use [Table 7-9](#) to determine an output capacitor. With a  $14.8\text{-V}$  output the  $12.5$  to  $15 \text{ V}$  row is used and with a  $47\text{-}\mu\text{H}$  inductor there are three surface mount output capacitor solutions. [Table 7-1](#) provides the actual capacitor characteristics based on the C Code number. Any of the following choices can be used:

- 1  $\times$   $33\text{-}\mu\text{F}$ ,  $20\text{-V}$  AVX TPS (code C6)
- 1  $\times$   $47\text{-}\mu\text{F}$ ,  $20\text{-V}$  Sprague 594 (code C8)
- 1  $\times$   $47\text{-}\mu\text{F}$ ,  $20\text{-V}$  Kemet T495 (code C8)

#### Note

When using the adjustable device in low voltage applications (less than  $3\text{-V}$  output), if the nomograph [Figure 7-5](#) selects an inductance of  $22 \mu\text{H}$  or less [Table 7-9](#) and [Table 7-10](#) do not provide an output capacitor solution. With these conditions the number of output capacitors required for stable operation becomes impractical. TI recommends using either a  $33\text{-}\mu\text{H}$  or  $47\text{-}\mu\text{H}$  inductor and the output capacitors from [Table 7-9](#) and [Table 7-10](#).

Step 5: An input capacitor for this example requires at least a  $35\text{-V}$  WV rating with an RMS current rating of  $1.75 \text{ A}$  ( $1/2 I_{OUT \text{ max}}$ ). [Table 7-1](#) shows that C12, a  $33\text{-}\mu\text{F}$ ,  $35\text{-V}$  capacitor from Sprague, has the highest voltage and current rating of the surface mount components and that two of these capacitor in parallel are adequate.

Step 6: From [Table 7-4](#) a  $5\text{-A}$  or more Schottky diode must be selected. For surface mount diodes with a margin of safety on the voltage rating one of two diodes can be used:

- MBRD1545CT
- 6TQ045S

Step 7: A  $0.01\text{-}\mu\text{F}$  capacitor is used for  $C_{BOOST}$ .

#### 7.2.3.1.1 Capacitor Selection

**Table 7-9. Output Capacitors for Adjustable Output Voltage Applications—Surface Mount** <sup>(1) (2)</sup>

| OUTPUT VOLTAGE (V) | INDUCTANCE ( $\mu\text{H}$ ) | SURFACE MOUNT  |        |                     |        |                   |        |
|--------------------|------------------------------|----------------|--------|---------------------|--------|-------------------|--------|
|                    |                              | AVX TPS SERIES |        | SPRAGUE 594D SERIES |        | KEMET T495 SERIES |        |
|                    |                              | NO.            | C CODE | NO.                 | C CODE | NO.               | C CODE |
| 1.21 to 2.5        | 33 <sup>(3)</sup>            | 7              | C1     | 6                   | C2     | 7                 | C3     |
|                    | 47 <sup>(3)</sup>            | 5              | C1     | 4                   | C2     | 5                 | C3     |
| 2.5 to 3.75        | 33 <sup>(3)</sup>            | 4              | C1     | 3                   | C2     | 4                 | C3     |
|                    | 47 <sup>(3)</sup>            | 3              | C1     | 2                   | C2     | 3                 | C3     |

**Table 7-9. Output Capacitors for Adjustable Output Voltage Applications—Surface Mount (1) (2)**  
(continued)

| OUTPUT VOLTAGE (V) | INDUCTANCE ( $\mu$ H) | SURFACE MOUNT       |        |                     |        |                   |        |
|--------------------|-----------------------|---------------------|--------|---------------------|--------|-------------------|--------|
|                    |                       | AVX TPS SERIES      |        | SPRAGUE 594D SERIES |        | KEMET T495 SERIES |        |
|                    |                       | NO.                 | C CODE | NO.                 | C CODE | NO.               | C CODE |
| 3.75 to 5          | 22                    | 4                   | C1     | 3                   | C2     | 4                 | C3     |
|                    | 33                    | 3                   | C1     | 2                   | C2     | 3                 | C3     |
|                    | 47                    | 2                   | C1     | 2                   | C2     | 2                 | C3     |
| 5 to 6.25          | 22                    | 3                   | C2     | 3                   | C3     | 3                 | C4     |
|                    | 33                    | 2                   | C2     | 2                   | C3     | 2                 | C4     |
|                    | 47                    | 2                   | C2     | 2                   | C3     | 2                 | C4     |
|                    | 68                    | 1                   | C2     | 1                   | C3     | 1                 | C4     |
| 6.25 to 7.5        | 22                    | 3                   | C2     | 1                   | C4     | 3                 | C4     |
|                    | 33                    | 2                   | C2     | 1                   | C3     | 2                 | C4     |
|                    | 47                    | 1                   | C3     | 1                   | C4     | 1                 | C6     |
|                    | 68                    | 1                   | C2     | 1                   | C3     | 1                 | C4     |
| 7.5 to 10          | 33                    | 2                   | C5     | 1                   | C6     | 2                 | C8     |
|                    | 47                    | 1                   | C5     | 1                   | C6     | 2                 | C8     |
|                    | 68                    | 1                   | C5     | 1                   | C6     | 1                 | C8     |
|                    | 100                   | 1                   | C4     | 1                   | C5     | 1                 | C8     |
| 10 to 12.5         | 33                    | 1                   | C5     | 1                   | C6     | 2                 | C8     |
|                    | 47                    | 1                   | C5     | 1                   | C6     | 2                 | C8     |
|                    | 68                    | 1                   | C5     | 1                   | C6     | 1                 | C8     |
|                    | 100                   | 1                   | C5     | 1                   | C6     | 1                 | C8     |
| 12.5 to 15         | 33                    | 1                   | C6     | 1                   | C8     | 1                 | C8     |
|                    | 47                    | 1                   | C6     | 1                   | C8     | 1                 | C8     |
|                    | 68                    | 1                   | C6     | 1                   | C8     | 1                 | C8     |
|                    | 100                   | 1                   | C6     | 1                   | C8     | 1                 | C8     |
| 15 to 20           | 33                    | 1                   | C8     | 1                   | C10    | 2                 | C10    |
|                    | 47                    | 1                   | C8     | 1                   | C9     | 2                 | C10    |
|                    | 68                    | 1                   | C8     | 1                   | C9     | 2                 | C10    |
|                    | 100                   | 1                   | C8     | 1                   | C9     | 1                 | C10    |
| 20 to 30           | 33                    | 2                   | C9     | 2                   | C11    | 2                 | C11    |
|                    | 47                    | 1                   | C10    | 1                   | C12    | 1                 | C11    |
|                    | 68                    | 1                   | C9     | 1                   | C12    | 1                 | C11    |
|                    | 100                   | 1                   | C9     | 1                   | C12    | 1                 | C11    |
| 30 to 37           | 10                    | No values available |        | 4                   | C13    | 8                 | C12    |
|                    | 15                    |                     |        | 3                   | C13    | 5                 | C12    |
|                    | 22                    |                     |        | 2                   | C13    | 4                 | C12    |
|                    | 33                    |                     |        | 1                   | C13    | 3                 | C12    |
|                    | 47                    |                     |        | 1                   | C13    | 2                 | C12    |
|                    | 68                    |                     |        | 1                   | C13    | 2                 | C12    |

- (1) No. represents the number of identical capacitor types to be connected in parallel.
- (2) C Code indicates the Capacitor Reference number in [Table 7-1](#) and [Table 7-2](#) for identifying the specific component from the manufacturer.
- (3) Set to a higher value for a practical design solution.

**Table 7-10. Output Capacitors for Adjustable Output Voltage Applications—Through Hole (1) (2)**

| OUTPUT VOLTAGE (V) | INDUCTANCE (μH)   | THROUGH HOLE           |        |                    |        |                    |        |                      |        |
|--------------------|-------------------|------------------------|--------|--------------------|--------|--------------------|--------|----------------------|--------|
|                    |                   | SANYO OS-CON SA SERIES |        | SANYO MV-GX SERIES |        | NICHICON PL SERIES |        | PANASONIC HFQ SERIES |        |
|                    |                   | NO.                    | C CODE | NO.                | C CODE | NO.                | C CODE | NO.                  | C CODE |
| 1.21 to 2.5        | 33 <sup>(3)</sup> | 2                      | C3     | 5                  | C1     | 5                  | C3     | 3                    | C      |
|                    | 47 <sup>(3)</sup> | 2                      | C2     | 4                  | C1     | 3                  | C3     | 2                    | C5     |
| 2.5 to 3.75        | 33 <sup>(3)</sup> | 1                      | C3     | 3                  | C1     | 3                  | C1     | 2                    | C5     |
|                    | 47 <sup>(3)</sup> | 1                      | C2     | 2                  | C1     | 2                  | C3     | 1                    | C5     |
| 3.75 to 5          | 22                | 1                      | C3     | 3                  | C1     | 3                  | C1     | 2                    | C5     |
|                    | 33                | 1                      | C2     | 2                  | C1     | 2                  | C1     | 1                    | C5     |
|                    | 47                | 1                      | C2     | 2                  | C1     | 1                  | C3     | 1                    | C5     |
| 5 to 6.25          | 22                | 1                      | C5     | 2                  | C6     | 2                  | C3     | 2                    | C5     |
|                    | 33                | 1                      | C4     | 1                  | C6     | 2                  | C1     | 1                    | C5     |
|                    | 47                | 1                      | C4     | 1                  | C6     | 1                  | C3     | 1                    | C5     |
|                    | 68                | 1                      | C4     | 1                  | C6     | 1                  | C1     | 1                    | C5     |
| 6.25 to 7.5        | 22                | 1                      | C5     | 1                  | C6     | 2                  | C1     | 1                    | C5     |
|                    | 33                | 1                      | C4     | 1                  | C6     | 1                  | C3     | 1                    | C5     |
|                    | 47                | 1                      | C4     | 1                  | C6     | 1                  | C1     | 1                    | C5     |
|                    | 68                | 1                      | C4     | 1                  | C2     | 1                  | C1     | 1                    | C5     |
| 7.5 to 10          | 33                | 1                      | C7     | 1                  | C6     | 1                  | C14    | 1                    | C5     |
|                    | 47                | 1                      | C7     | 1                  | C6     | 1                  | C14    | 1                    | C5     |
|                    | 68                | 1                      | C7     | 1                  | C2     | 1                  | C14    | 1                    | C2     |
|                    | 100               | 1                      | C7     | 1                  | C2     | 1                  | C14    | 1                    | C2     |
| 10 to 12.5         | 33                | 1                      | C7     | 1                  | C6     | 1                  | C14    | 1                    | C5     |
|                    | 47                | 1                      | C7     | 1                  | C2     | 1                  | C14    | 1                    | C5     |
|                    | 68                | 1                      | C7     | 1                  | C2     | 1                  | C9     | 1                    | C2     |
|                    | 100               | 1                      | C7     | 1                  | C2     | 1                  | C9     | 1                    | C2     |
| 12.5 to 15         | 33                | 1                      | C9     | 1                  | C10    | 1                  | C15    | 1                    | C2     |
|                    | 47                | 1                      | C9     | 1                  | C10    | 1                  | C15    | 1                    | C2     |
|                    | 68                | 1                      | C9     | 1                  | C10    | 1                  | C15    | 1                    | C2     |
|                    | 100               | 1                      | C9     | 1                  | C10    | 1                  | C15    | 1                    | C2     |
| 15 to 20           | 33                | 1                      | C10    | 1                  | C7     | 1                  | C15    | 1                    | C2     |
|                    | 47                | 1                      | C10    | 1                  | C7     | 1                  | C15    | 1                    | C2     |
|                    | 68                | 1                      | C10    | 1                  | C7     | 1                  | C15    | 1                    | C2     |
|                    | 100               | 1                      | C10    | 1                  | C7     | 1                  | C15    | 1                    | C2     |
| 20 to 30           | 33                | No values available    |        | 1                  | C7     | 1                  | C16    | 1                    | C2     |
|                    | 47                |                        |        | 1                  | C7     | 1                  | C16    | 1                    | C2     |
|                    | 68                |                        |        | 1                  | C7     | 1                  | C16    | 1                    | C2     |
|                    | 100               |                        |        | 1                  | C7     | 1                  | C16    | 1                    | C2     |
| 30 to 37           | 10                | No values available    |        | 1                  | C12    | 1                  | C20    | 1                    | C10    |
|                    | 15                |                        |        | 1                  | C11    | 1                  | C20    | 1                    | C11    |
|                    | 22                |                        |        | 1                  | C11    | 1                  | C20    | 1                    | C10    |
|                    | 33                |                        |        | 1                  | C11    | 1                  | C20    | 1                    | C10    |
|                    | 47                |                        |        | 1                  | C11    | 1                  | C20    | 1                    | C10    |
|                    | 68                |                        |        | 1                  | C11    | 1                  | C20    | 1                    | C10    |

- (1) No. represents the number of identical capacitor types to be connected in parallel.
- (2) C Code indicates the Capacitor Reference number in [Table 7-1](#) and [Table 7-2](#) for identifying the specific component from the manufacturer.
- (3) Set to a higher value for a practical design solution.

### 7.3 Power Supply Recommendations

The LM2678 is designed to operate from an input voltage supply up to 40 V. This input supply must be well regulated and able to withstand maximum input current and maintain a stable voltage.

## 7.4 Layout

### 7.4.1 Layout Guidelines

Board layout is critical for the proper operation of switching power supplies. First, the ground plane area must be sufficient for thermal dissipation purposes. Second, appropriate guidelines must be followed to reduce the effects of switching noise. Switch mode converters are very fast switching devices. In such cases, the rapid increase of input current combined with the parasitic trace inductance generates unwanted  $L di/dt$  noise spikes. The magnitude of this noise tends to increase as the output current increases. This noise can turn into electromagnetic interference (EMI) and can also cause problems in device performance. Therefore, take care in layout to minimize the effect of this switching noise. The most important layout rule is to keep the AC current loops as small as possible. Figure 7-8 shows the current flow in a buck converter. The top schematic shows a dotted line which represents the current flow during the top switch ON-state. The middle schematic shows the current flow during the top switch OFF-state. The bottom schematic shows the currents referred to as AC currents. These AC currents are the most critical because they are changing in a very short time period. The dotted lines of the bottom schematic are the traces to keep as short and wide as possible. This will also yield a small loop area reducing the loop inductance. To avoid functional problems due to layout, review the PCB layout example. Best results are achieved if the placement of the LM2679 device, the bypass capacitor, the Schottky diode, RFBB, RFBT, and the inductor are placed as shown in the example. Note that, in the layout shown, R1 = RFBB and R2 = RFBT. It is also recommended to use 2-oz. copper boards or heavier to help thermal dissipation and to reduce the parasitic inductances of board traces. See [AN-1229 SIMPLE SWITCHER® PCB Layout Guidelines](#) for more information.

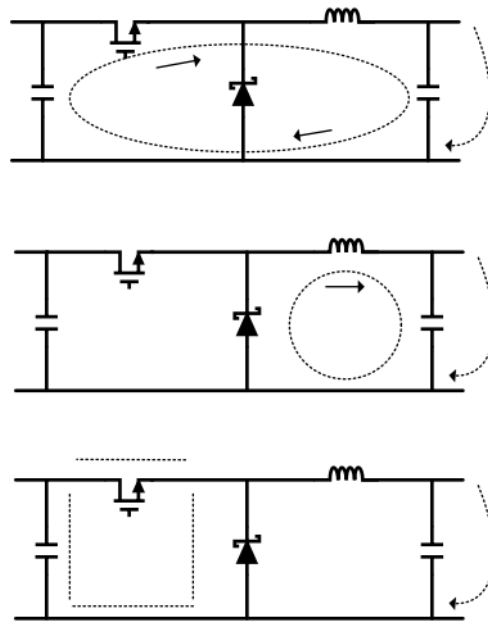


Figure 7-8. Typical Current Flow in Buck Regulator

### 7.4.2 Layout Example

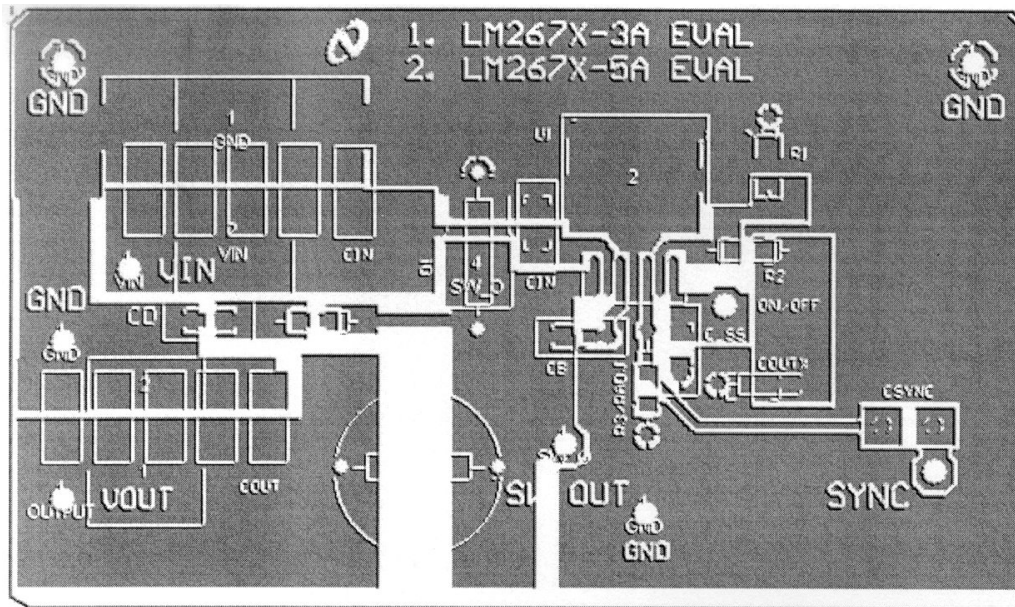


Figure 7-9. Top Layer Foil Pattern of Printed-Circuit Board

## 8 Device and Documentation Support

### 8.1 Device Support

#### 8.1.1 Development Support

##### 8.1.1.1 Custom Design With WEBENCH® Tools

[Click here](#) to create a custom design using the LM2678 device with the WEBENCH® Power Designer.

1. Start by entering the input voltage ( $V_{IN}$ ), output voltage ( $V_{OUT}$ ), and output current ( $I_{OUT}$ ) requirements.
2. Optimize the design for key parameters such as efficiency, footprint, and cost using the optimizer dial.
3. Compare the generated design with other possible solutions from Texas Instruments.

The WEBENCH Power Designer provides a customized schematic along with a list of materials with real-time pricing and component availability.

In most cases, these actions are available:

- Run electrical simulations to see important waveforms and circuit performance
- Run thermal simulations to understand board thermal performance
- Export customized schematic and layout into popular CAD formats
- Print PDF reports for the design, and share the design with colleagues

Get more information about WEBENCH tools at [www.ti.com/WEBENCH](http://www.ti.com/WEBENCH).

### 8.2 Documentation Support

#### 8.2.1 Related Documentation

For related documentation, see the following:

- Texas Instruments, [AN-1187 Leadless Leadframe Package \(LLP\) application note](#)
- Texas Instruments, [AN-1229 SIMPLE SWITCHER® PCB Layout Guidelines application note](#)

### 8.3 Receiving Notification of Documentation Updates

To receive notification of documentation updates, navigate to the device product folder on [ti.com](http://ti.com). Click on *Notifications* to register and receive a weekly digest of any product information that has changed. For change details, review the revision history included in any revised document.

### 8.4 Support Resources

[TI E2E™ support forums](#) are an engineer's go-to source for fast, verified answers and design help — straight from the experts. Search existing answers or ask your own question to get the quick design help you need.

Linked content is provided "AS IS" by the respective contributors. They do not constitute TI specifications and do not necessarily reflect TI's views; see TI's [Terms of Use](#).

### 8.5 Trademarks

TI E2E™ is a trademark of Texas Instruments.

SIMPLE SWITCHER® and WEBENCH® are registered trademarks of Texas Instruments.

All trademarks are the property of their respective owners.

### 8.6 Electrostatic Discharge Caution



This integrated circuit can be damaged by ESD. Texas Instruments recommends that all integrated circuits be handled with appropriate precautions. Failure to observe proper handling and installation procedures can cause damage.

ESD damage can range from subtle performance degradation to complete device failure. Precision integrated circuits may be more susceptible to damage because very small parametric changes could cause the device not to meet its published specifications.

### 8.7 Glossary

[TI Glossary](#) This glossary lists and explains terms, acronyms, and definitions.

## 9 Revision History

NOTE: Page numbers for previous revisions may differ from page numbers in the current version.

| <b>Changes from Revision K (February 2017) to Revision L (June 2025)</b>                              | <b>Page</b> |
|---|-------------|
| • Updated the numbering format for tables, figures, and cross-references throughout the document..... | 1           |
| • Added approved noun following the SIMPLE SWITCHER trademark throughout the document.....            | 1           |
| • Added DAP connection recommendation.....  | 3           |
| • Deleted R <sub>ADJ</sub> specification.....   | 5           |
| • Deleted R <sub>ADJ</sub> specification.....   | 5           |
| • Deleted R <sub>ADJ</sub> specification.....   | 5           |
| • Deleted R <sub>ADJ</sub> specification.....   | 6           |

| <b>Changes from Revision J (June 2016) to Revision K (February 2017)</b> | <b>Page</b> |
|--|-------------|
| • Deleted R <sub>ADJ</sub> = 5.6 k $\Omega$ .....                        | 6           |
| • Deleted and updated with new values for Min, Typ and Max .....         | 6           |
| • Deleted and updated with new values for Min and Max .....              | 6           |
| • Changed soft-start pin to ON/OFF pin.....                              | 6           |
| • Changed to 200 $\mu$ A from 1.5 mA.....                                | 6           |
| • Changed typ and max values to 16 and 15 mA.....                        | 6           |

## 10 Mechanical, Packaging, and Orderable Information

The following pages include mechanical, packaging, and orderable information. This information is the most current data available for the designated devices. This data is subject to change without notice and revision of this document. For browser-based versions of this data sheet, refer to the left-hand navigation.

### 10.1 VSON Package Devices

The LM2678 is offered in the 14-pin VSON surface mount package to allow for a significantly decreased footprint with equivalent power dissipation compared to the DDPAK. For details on mounting and soldering specifications, refer to [AN-1187 Leadless Leadfram Package \(LLP\)](#).

**PACKAGING INFORMATION**

| Orderable part number              | Status<br>(1) | Material type<br>(2) | Package   Pins         | Package qty   Carrier | RoHS<br>(3) | Lead finish/<br>Ball material<br>(4) | MSL rating/<br>Peak reflow<br>(5) | Op temp (°C) | Part marking<br>(6) |
|------------------------------------|---------------|----------------------|------------------------|-----------------------|-------------|--------------------------------------|-----------------------------------|--------------|---------------------|
| <a href="#">LM2678S-12/NOPB</a>    | Active        | Production           | DDPAK/TO-263 (KTW)   7 | 45   TUBE             | ROHS Exempt | SN                                   | Level-3-245C-168 HR               | -40 to 125   | LM2678 S-12         |
| LM2678S-12/NOPB.B                  | Active        | Production           | DDPAK/TO-263 (KTW)   7 | 45   TUBE             | ROHS Exempt | SN                                   | Level-3-245C-168 HR               | -40 to 125   | LM2678 S-12         |
| <a href="#">LM2678S-3.3/NOPB</a>   | Active        | Production           | DDPAK/TO-263 (KTW)   7 | 45   TUBE             | ROHS Exempt | SN                                   | Level-3-245C-168 HR               | -40 to 125   | LM2678 S-3.3        |
| LM2678S-3.3/NOPB.B                 | Active        | Production           | DDPAK/TO-263 (KTW)   7 | 45   TUBE             | ROHS Exempt | SN                                   | Level-3-245C-168 HR               | -40 to 125   | LM2678 S-3.3        |
| <a href="#">LM2678S-5.0/NOPB</a>   | Active        | Production           | DDPAK/TO-263 (KTW)   7 | 45   TUBE             | ROHS Exempt | SN                                   | Level-3-245C-168 HR               | -40 to 125   | LM2678 S-5.0        |
| LM2678S-5.0/NOPB.B                 | Active        | Production           | DDPAK/TO-263 (KTW)   7 | 45   TUBE             | ROHS Exempt | SN                                   | Level-3-245C-168 HR               | -40 to 125   | LM2678 S-5.0        |
| <a href="#">LM2678S-ADJ/NOPB</a>   | Active        | Production           | DDPAK/TO-263 (KTW)   7 | 45   TUBE             | ROHS Exempt | SN                                   | Level-3-245C-168 HR               | -40 to 125   | LM2678 S-ADJ        |
| LM2678S-ADJ/NOPB.B                 | Active        | Production           | DDPAK/TO-263 (KTW)   7 | 45   TUBE             | ROHS Exempt | SN                                   | Level-3-245C-168 HR               | -40 to 125   | LM2678 S-ADJ        |
| <a href="#">LM2678SD-12/NOPB</a>   | Active        | Production           | VSON (NHM)   14        | 250   SMALL T&R       | Yes         | SN                                   | Level-1-260C-UNLIM                | -40 to 125   | S0003BB             |
| LM2678SD-12/NOPB.B                 | Active        | Production           | VSON (NHM)   14        | 250   SMALL T&R       | Yes         | SN                                   | Level-1-260C-UNLIM                | -40 to 125   | S0003BB             |
| <a href="#">LM2678SD-3.3/NOPB</a>  | Active        | Production           | VSON (NHM)   14        | 250   SMALL T&R       | Yes         | SN                                   | Level-1-260C-UNLIM                | -40 to 125   | S0003CB             |
| LM2678SD-3.3/NOPB.B                | Active        | Production           | VSON (NHM)   14        | 250   SMALL T&R       | Yes         | SN                                   | Level-1-260C-UNLIM                | -40 to 125   | S0003CB             |
| <a href="#">LM2678SD-5.0/NOPB</a>  | Active        | Production           | VSON (NHM)   14        | 250   SMALL T&R       | Yes         | SN                                   | Level-1-260C-UNLIM                | -40 to 125   | S0003DB             |
| LM2678SD-5.0/NOPB.B                | Active        | Production           | VSON (NHM)   14        | 250   SMALL T&R       | Yes         | SN                                   | Level-1-260C-UNLIM                | -40 to 125   | S0003DB             |
| <a href="#">LM2678SD-ADJ/NOPB</a>  | Active        | Production           | VSON (NHM)   14        | 250   SMALL T&R       | Yes         | SN                                   | Level-1-260C-UNLIM                | -40 to 125   | S0003EB             |
| LM2678SD-ADJ/NOPB.B                | Active        | Production           | VSON (NHM)   14        | 250   SMALL T&R       | Yes         | SN                                   | Level-1-260C-UNLIM                | -40 to 125   | S0003EB             |
| <a href="#">LM2678SDX-3.3/NOPB</a> | Active        | Production           | VSON (NHM)   14        | 2500   LARGE T&R      | Yes         | SN                                   | Level-1-260C-UNLIM                | -40 to 125   | S0003CB             |
| LM2678SDX-3.3/NOPB.B               | Active        | Production           | VSON (NHM)   14        | 2500   LARGE T&R      | Yes         | SN                                   | Level-1-260C-UNLIM                | -40 to 125   | S0003CB             |
| <a href="#">LM2678SDX-5.0/NOPB</a> | Active        | Production           | VSON (NHM)   14        | 2500   LARGE T&R      | Yes         | SN                                   | Level-1-260C-UNLIM                | -40 to 125   | S0003DB             |
| LM2678SDX-5.0/NOPB.B               | Active        | Production           | VSON (NHM)   14        | 2500   LARGE T&R      | Yes         | SN                                   | Level-1-260C-UNLIM                | -40 to 125   | S0003DB             |
| <a href="#">LM2678SDX-ADJ/NOPB</a> | Active        | Production           | VSON (NHM)   14        | 2500   LARGE T&R      | Yes         | SN                                   | Level-1-260C-UNLIM                | -40 to 125   | S0003EB             |
| LM2678SDX-ADJ/NOPB.B               | Active        | Production           | VSON (NHM)   14        | 2500   LARGE T&R      | Yes         | SN                                   | Level-1-260C-UNLIM                | -40 to 125   | S0003EB             |

| Orderable part number             | Status<br>(1) | Material type<br>(2) | Package   Pins         | Package qty   Carrier | RoHS<br>(3) | Lead finish/<br>Ball material<br>(4) | MSL rating/<br>Peak reflow<br>(5) | Op temp (°C) | Part marking<br>(6) |
|-----------------------------------|---------------|----------------------|------------------------|-----------------------|-------------|--------------------------------------|-----------------------------------|--------------|---------------------|
| <a href="#">LM2678SX-12/NOPB</a>  | Active        | Production           | DDPAK/TO-263 (KTW)   7 | 500   LARGE T&R       | ROHS Exempt | SN                                   | Level-3-245C-168 HR               | -40 to 125   | LM2678 S-12         |
| LM2678SX-12/NOPB.B                | Active        | Production           | DDPAK/TO-263 (KTW)   7 | 500   LARGE T&R       | ROHS Exempt | SN                                   | Level-3-245C-168 HR               | -40 to 125   | LM2678 S-12         |
| <a href="#">LM2678SX-3.3/NOPB</a> | Active        | Production           | DDPAK/TO-263 (KTW)   7 | 500   LARGE T&R       | ROHS Exempt | SN                                   | Level-3-245C-168 HR               | -40 to 125   | LM2678 S-3.3        |
| LM2678SX-3.3/NOPB.B               | Active        | Production           | DDPAK/TO-263 (KTW)   7 | 500   LARGE T&R       | ROHS Exempt | SN                                   | Level-3-245C-168 HR               | -40 to 125   | LM2678 S-3.3        |
| <a href="#">LM2678SX-5.0/NOPB</a> | Active        | Production           | DDPAK/TO-263 (KTW)   7 | 500   LARGE T&R       | ROHS Exempt | SN                                   | Level-3-245C-168 HR               | -40 to 125   | LM2678 S-5.0        |
| LM2678SX-5.0/NOPB.B               | Active        | Production           | DDPAK/TO-263 (KTW)   7 | 500   LARGE T&R       | ROHS Exempt | SN                                   | Level-3-245C-168 HR               | -40 to 125   | LM2678 S-5.0        |
| <a href="#">LM2678SX-ADJ/NOPB</a> | Active        | Production           | DDPAK/TO-263 (KTW)   7 | 500   LARGE T&R       | ROHS Exempt | SN                                   | Level-3-245C-168 HR               | -40 to 125   | LM2678 S-ADJ        |
| LM2678SX-ADJ/NOPB.B               | Active        | Production           | DDPAK/TO-263 (KTW)   7 | 500   LARGE T&R       | ROHS Exempt | SN                                   | Level-3-245C-168 HR               | -40 to 125   | LM2678 S-ADJ        |
| <a href="#">LM2678T-12/NOPB</a>   | Active        | Production           | TO-220 (NDZ)   7       | 45   TUBE             | Yes         | SN                                   | Level-1-NA-UNLIM                  | -40 to 125   | LM2678 T-12         |
| LM2678T-12/NOPB.B                 | Active        | Production           | TO-220 (NDZ)   7       | 45   TUBE             | Yes         | SN                                   | Level-1-NA-UNLIM                  | -40 to 125   | LM2678 T-12         |
| <a href="#">LM2678T-3.3/NOPB</a>  | Active        | Production           | TO-220 (NDZ)   7       | 45   TUBE             | Yes         | SN                                   | Level-1-NA-UNLIM                  | -40 to 125   | LM2678 T-3.3        |
| LM2678T-3.3/NOPB.B                | Active        | Production           | TO-220 (NDZ)   7       | 45   TUBE             | Yes         | SN                                   | Level-1-NA-UNLIM                  | -40 to 125   | LM2678 T-3.3        |
| <a href="#">LM2678T-5.0/NOPB</a>  | Active        | Production           | TO-220 (NDZ)   7       | 45   TUBE             | Yes         | SN                                   | Level-1-NA-UNLIM                  | -40 to 125   | LM2678 T-5.0        |
| LM2678T-5.0/NOPB.B                | Active        | Production           | TO-220 (NDZ)   7       | 45   TUBE             | Yes         | SN                                   | Level-1-NA-UNLIM                  | -40 to 125   | LM2678 T-5.0        |
| <a href="#">LM2678T-ADJ/NOPB</a>  | Active        | Production           | TO-220 (NDZ)   7       | 45   TUBE             | Yes         | SN                                   | Level-1-NA-UNLIM                  | -40 to 125   | LM2678 T-ADJ        |
| LM2678T-ADJ/NOPB.B                | Active        | Production           | TO-220 (NDZ)   7       | 45   TUBE             | Yes         | SN                                   | Level-1-NA-UNLIM                  | -40 to 125   | LM2678 T-ADJ        |

<sup>(1)</sup> **Status:** For more details on status, see our [product life cycle](#).

- (2) **Material type:** When designated, preproduction parts are prototypes/experimental devices, and are not yet approved or released for full production. Testing and final process, including without limitation quality assurance, reliability performance testing, and/or process qualification, may not yet be complete, and this item is subject to further changes or possible discontinuation. If available for ordering, purchases will be subject to an additional waiver at checkout, and are intended for early internal evaluation purposes only. These items are sold without warranties of any kind.
- (3) **RoHS values:** Yes, No, RoHS Exempt. See the [TI RoHS Statement](#) for additional information and value definition.
- (4) **Lead finish/Ball material:** Parts may have multiple material finish options. Finish options are separated by a vertical ruled line. Lead finish/Ball material values may wrap to two lines if the finish value exceeds the maximum column width.
- (5) **MSL rating/Peak reflow:** The moisture sensitivity level ratings and peak solder (reflow) temperatures. In the event that a part has multiple moisture sensitivity ratings, only the lowest level per JEDEC standards is shown. Refer to the shipping label for the actual reflow temperature that will be used to mount the part to the printed circuit board.
- (6) **Part marking:** There may be an additional marking, which relates to the logo, the lot trace code information, or the environmental category of the part.

Multiple part markings will be inside parentheses. Only one part marking contained in parentheses and separated by a "~" will appear on a part. If a line is indented then it is a continuation of the previous line and the two combined represent the entire part marking for that device.

**Important Information and Disclaimer:** The information provided on this page represents TI's knowledge and belief as of the date that it is provided. TI bases its knowledge and belief on information provided by third parties, and makes no representation or warranty as to the accuracy of such information. Efforts are underway to better integrate information from third parties. TI has taken and continues to take reasonable steps to provide representative and accurate information but may not have conducted destructive testing or chemical analysis on incoming materials and chemicals. TI and TI suppliers consider certain information to be proprietary, and thus CAS numbers and other limited information may not be available for release.

In no event shall TI's liability arising out of such information exceed the total purchase price of the TI part(s) at issue in this document sold by TI to Customer on an annual basis.

**TAPE AND REEL INFORMATION**

**QUADRANT ASSIGNMENTS FOR PIN 1 ORIENTATION IN TAPE**

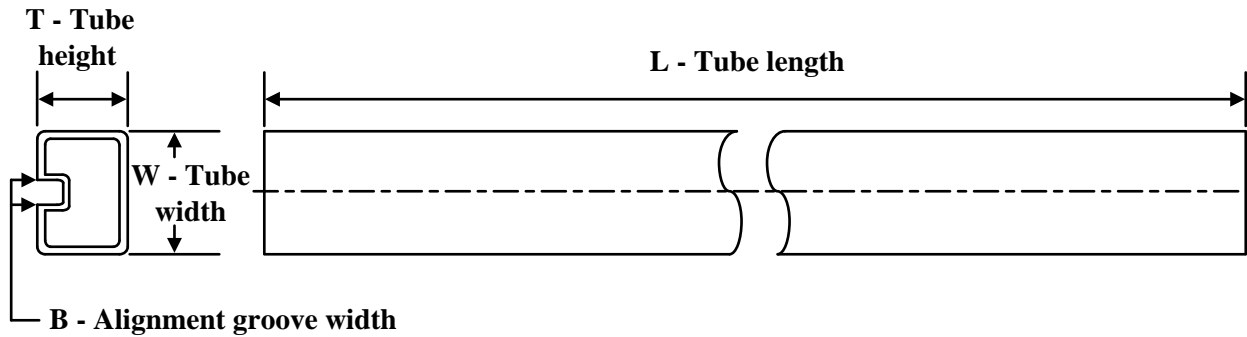

\*All dimensions are nominal

| Device             | Package Type     | Package Drawing | Pins | SPQ  | Reel Diameter (mm) | Reel Width W1 (mm) | A0 (mm) | B0 (mm) | K0 (mm) | P1 (mm) | W (mm) | Pin1 Quadrant |
|--------------------|------------------|-----------------|------|------|--------------------|--------------------|---------|---------|---------|---------|--------|---------------|
| LM2678SD-12/NOPB   | VSON             | NHM             | 14   | 250  | 178.0              | 16.4               | 5.3     | 6.3     | 1.5     | 12.0    | 16.0   | Q1            |
| LM2678SD-3.3/NOPB  | VSON             | NHM             | 14   | 250  | 178.0              | 16.4               | 5.3     | 6.3     | 1.5     | 12.0    | 16.0   | Q1            |
| LM2678SD-5.0/NOPB  | VSON             | NHM             | 14   | 250  | 178.0              | 16.4               | 5.3     | 6.3     | 1.5     | 12.0    | 16.0   | Q1            |
| LM2678SD-ADJ/NOPB  | VSON             | NHM             | 14   | 250  | 178.0              | 16.4               | 5.3     | 6.3     | 1.5     | 12.0    | 16.0   | Q1            |
| LM2678SDX-3.3/NOPB | VSON             | NHM             | 14   | 2500 | 330.0              | 16.4               | 5.3     | 6.3     | 1.5     | 12.0    | 16.0   | Q1            |
| LM2678SDX-5.0/NOPB | VSON             | NHM             | 14   | 2500 | 330.0              | 16.4               | 5.3     | 6.3     | 1.5     | 12.0    | 16.0   | Q1            |
| LM2678SDX-ADJ/NOPB | VSON             | NHM             | 14   | 2500 | 330.0              | 16.4               | 5.3     | 6.3     | 1.5     | 12.0    | 16.0   | Q1            |
| LM2678SX-12/NOPB   | DDPAK/<br>TO-263 | KTW             | 7    | 500  | 330.0              | 24.4               | 10.75   | 14.85   | 5.0     | 16.0    | 24.0   | Q2            |
| LM2678SX-3.3/NOPB  | DDPAK/<br>TO-263 | KTW             | 7    | 500  | 330.0              | 24.4               | 10.75   | 14.85   | 5.0     | 16.0    | 24.0   | Q2            |
| LM2678SX-5.0/NOPB  | DDPAK/<br>TO-263 | KTW             | 7    | 500  | 330.0              | 24.4               | 10.75   | 14.85   | 5.0     | 16.0    | 24.0   | Q2            |
| LM2678SX-ADJ/NOPB  | DDPAK/<br>TO-263 | KTW             | 7    | 500  | 330.0              | 24.4               | 10.75   | 14.85   | 5.0     | 16.0    | 24.0   | Q2            |

**TAPE AND REEL BOX DIMENSIONS**


\*All dimensions are nominal

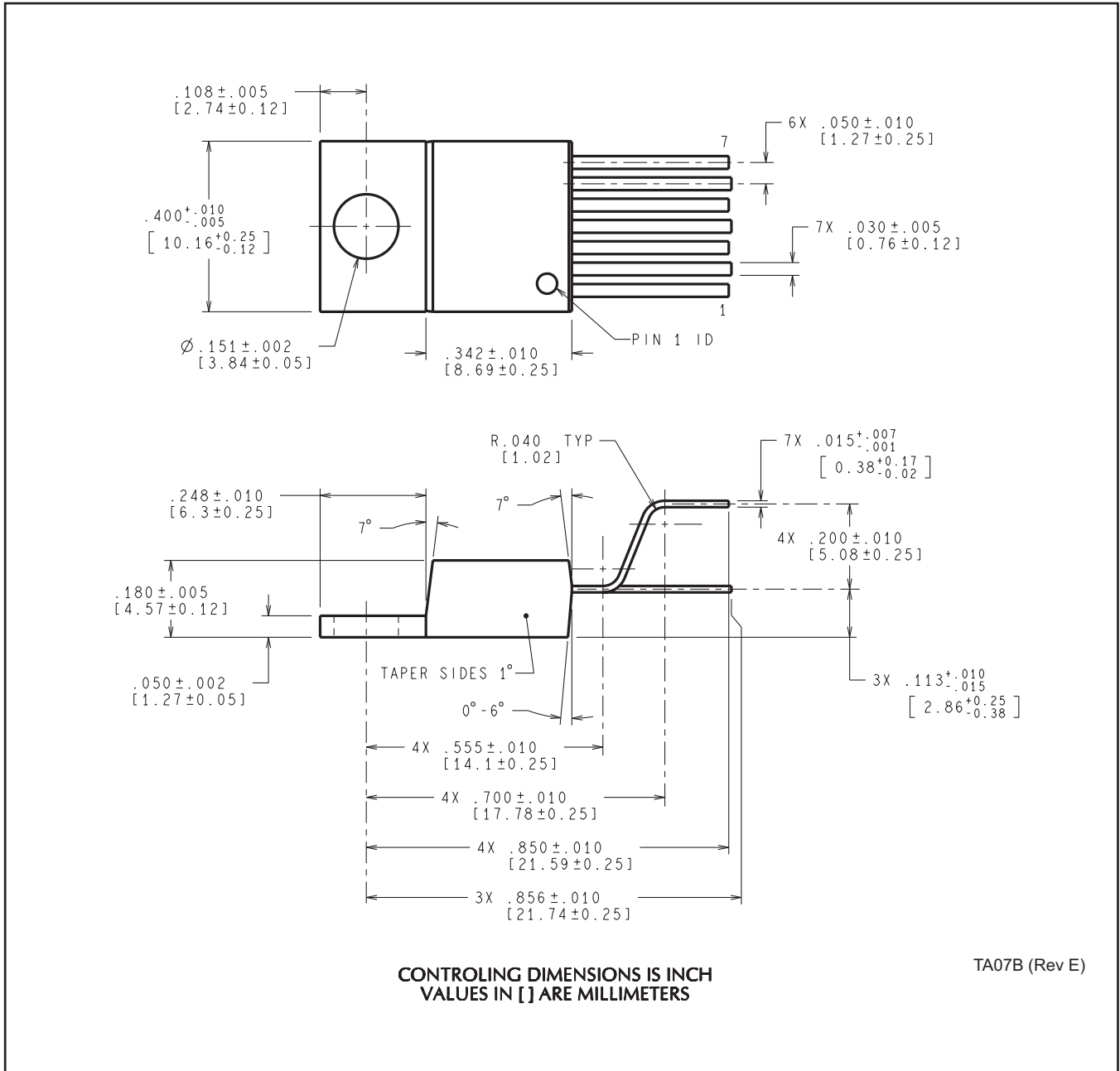
| Device             | Package Type | Package Drawing | Pins | SPQ  | Length (mm) | Width (mm) | Height (mm) |
|--------------------|--------------|-----------------|------|------|-------------|------------|-------------|
| LM2678SD-12/NOPB   | VSON         | NHM             | 14   | 250  | 210.0       | 185.0      | 35.0        |
| LM2678SD-3.3/NOPB  | VSON         | NHM             | 14   | 250  | 208.0       | 191.0      | 35.0        |
| LM2678SD-5.0/NOPB  | VSON         | NHM             | 14   | 250  | 208.0       | 191.0      | 35.0        |
| LM2678SD-ADJ/NOPB  | VSON         | NHM             | 14   | 250  | 208.0       | 191.0      | 35.0        |
| LM2678SDX-3.3/NOPB | VSON         | NHM             | 14   | 2500 | 367.0       | 367.0      | 35.0        |
| LM2678SDX-5.0/NOPB | VSON         | NHM             | 14   | 2500 | 367.0       | 367.0      | 35.0        |
| LM2678SDX-ADJ/NOPB | VSON         | NHM             | 14   | 2500 | 367.0       | 367.0      | 35.0        |
| LM2678SX-12/NOPB   | DDPAK/TO-263 | KTW             | 7    | 500  | 356.0       | 356.0      | 45.0        |
| LM2678SX-3.3/NOPB  | DDPAK/TO-263 | KTW             | 7    | 500  | 356.0       | 356.0      | 45.0        |
| LM2678SX-5.0/NOPB  | DDPAK/TO-263 | KTW             | 7    | 500  | 356.0       | 356.0      | 45.0        |
| LM2678SX-ADJ/NOPB  | DDPAK/TO-263 | KTW             | 7    | 500  | 356.0       | 356.0      | 45.0        |

**TUBE**


\*All dimensions are nominal

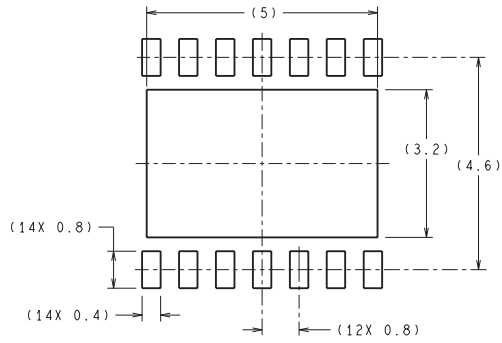
| Device             | Package Name | Package Type | Pins | SPQ | L (mm) | W (mm) | T (μm)  | B (mm) |
|--------------------|--------------|--------------|------|-----|--------|--------|---------|--------|
| LM2678S-12/NOPB    | KTW          | TO-263       | 7    | 45  | 502    | 25     | 8204.2  | 9.19   |
| LM2678S-12/NOPB.B  | KTW          | TO-263       | 7    | 45  | 502    | 25     | 8204.2  | 9.19   |
| LM2678S-3.3/NOPB   | KTW          | TO-263       | 7    | 45  | 502    | 25     | 8204.2  | 9.19   |
| LM2678S-3.3/NOPB.B | KTW          | TO-263       | 7    | 45  | 502    | 25     | 8204.2  | 9.19   |
| LM2678S-5.0/NOPB   | KTW          | TO-263       | 7    | 45  | 502    | 25     | 8204.2  | 9.19   |
| LM2678S-5.0/NOPB.B | KTW          | TO-263       | 7    | 45  | 502    | 25     | 8204.2  | 9.19   |
| LM2678S-ADJ/NOPB   | KTW          | TO-263       | 7    | 45  | 502    | 25     | 8204.2  | 9.19   |
| LM2678S-ADJ/NOPB.B | KTW          | TO-263       | 7    | 45  | 502    | 25     | 8204.2  | 9.19   |
| LM2678T-12/NOPB    | NDZ          | TO-220       | 7    | 45  | 502    | 30     | 30048.2 | 10.74  |
| LM2678T-12/NOPB.B  | NDZ          | TO-220       | 7    | 45  | 502    | 30     | 30048.2 | 10.74  |
| LM2678T-3.3/NOPB   | NDZ          | TO-220       | 7    | 45  | 502    | 30     | 30048.2 | 10.74  |
| LM2678T-3.3/NOPB.B | NDZ          | TO-220       | 7    | 45  | 502    | 30     | 30048.2 | 10.74  |
| LM2678T-5.0/NOPB   | NDZ          | TO-220       | 7    | 45  | 502    | 30     | 30048.2 | 10.74  |
| LM2678T-5.0/NOPB.B | NDZ          | TO-220       | 7    | 45  | 502    | 30     | 30048.2 | 10.74  |
| LM2678T-ADJ/NOPB   | NDZ          | TO-220       | 7    | 45  | 502    | 30     | 30048.2 | 10.74  |
| LM2678T-ADJ/NOPB.B | NDZ          | TO-220       | 7    | 45  | 502    | 30     | 30048.2 | 10.74  |

NDZ0007B

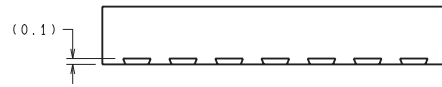




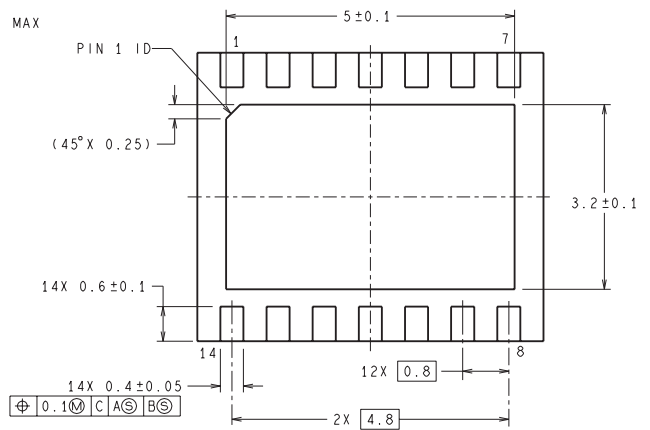
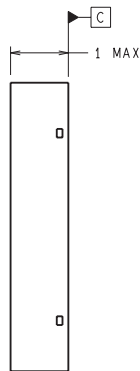
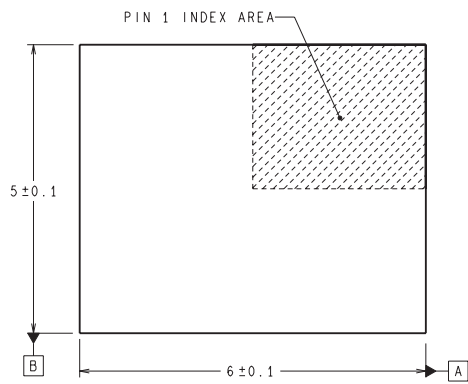
NHM0014A



DIMENSIONS ARE IN MILLIMETERS  
DIMENSIONS IN ( ) FOR REFERENCE ONLY



RECOMMENDED LAND PATTERN



SRC14A (Rev A)

## IMPORTANT NOTICE AND DISCLAIMER

TI PROVIDES TECHNICAL AND RELIABILITY DATA (INCLUDING DATASHEETS), DESIGN RESOURCES (INCLUDING REFERENCE DESIGNS), APPLICATION OR OTHER DESIGN ADVICE, WEB TOOLS, SAFETY INFORMATION, AND OTHER RESOURCES "AS IS" AND WITH ALL FAULTS, AND DISCLAIMS ALL WARRANTIES, EXPRESS AND IMPLIED, INCLUDING WITHOUT LIMITATION ANY IMPLIED WARRANTIES OF MERCHANTABILITY, FITNESS FOR A PARTICULAR PURPOSE OR NON-INFRINGEMENT OF THIRD PARTY INTELLECTUAL PROPERTY RIGHTS.

These resources are intended for skilled developers designing with TI products. You are solely responsible for (1) selecting the appropriate TI products for your application, (2) designing, validating and testing your application, and (3) ensuring your application meets applicable standards, and any other safety, security, regulatory or other requirements.

These resources are subject to change without notice. TI grants you permission to use these resources only for development of an application that uses the TI products described in the resource. Other reproduction and display of these resources is prohibited. No license is granted to any other TI intellectual property right or to any third party intellectual property right. TI disclaims responsibility for, and you fully indemnify TI and its representatives against any claims, damages, costs, losses, and liabilities arising out of your use of these resources.

TI's products are provided subject to [TI's Terms of Sale](#), [TI's General Quality Guidelines](#), or other applicable terms available either on [ti.com](http://ti.com) or provided in conjunction with such TI products. TI's provision of these resources does not expand or otherwise alter TI's applicable warranties or warranty disclaimers for TI products. Unless TI explicitly designates a product as custom or customer-specified, TI products are standard, catalog, general purpose devices.

TI objects to and rejects any additional or different terms you may propose.

Copyright © 2026, Texas Instruments Incorporated

Last updated 10/2025