

# LM3754 Scalable 2-Phase Synchronous Buck Controller with Integrated FET Drivers and Linear Regulator Controller

 Check for Samples: [LM3754](#)

## FEATURES

- Wide Input Voltage Range of 4.5V to 18V
- Up to 12 Channels for 300A Load
- System Accuracy Better Than 1%
- 0.6V to 3.6V Output Voltage Range
- Switching Frequency From 200 kHz to 1 MHz
- Phase Current Sharing  $\pm 12\%$  Max Over Temperature
- Integrated 4.35V  $\pm 2.3\%$  LDO
- Inductor DCR or Sense Resistor Current Sensing
- Interleaved Switching for Low I/O Ripple Current
- Integrated Synchronous NFET Drivers
- Programmable Soft-Start
- Pre-Biased Startup
- Output Voltage Differential Remote Sensing
- Minimum Controllable On-Time of Only 50 ns
- Programmable Enable and Input UVLO
- Power Good flag
- OVP, UVP and Hiccup Over-Current Protection

## APPLICATIONS

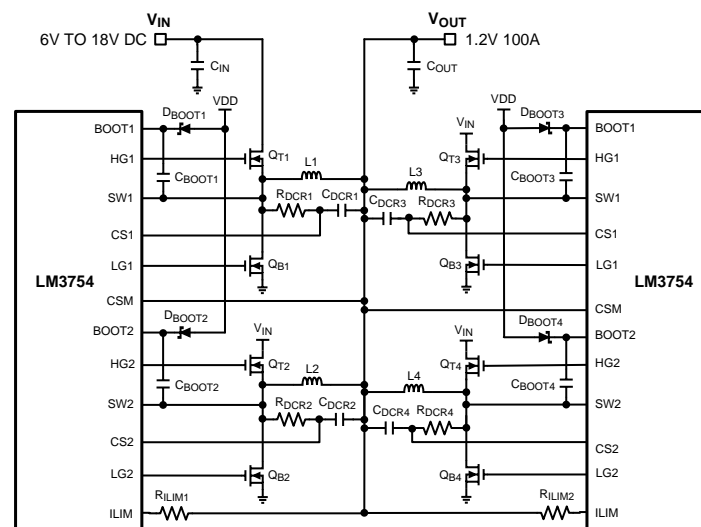
- CPUs, GPUs (Graphic Cards), ASICs, FPGAs, Large Memory Arrays, DDR
- High Current POL Converters
- Networking Systems
- Power Distribution Systems
- Telecom/Datacom DC/DC Converters
- Desktops, Servers and Workstations

## DESCRIPTION

The LM3754 is a full featured single-output dual-phase voltage-mode synchronous PWM buck controller. It can be configured to control from 2 to 12 interleaved power stages creating a single high power output. This controller utilizes voltage-mode control with input voltage feed-forward for high noise immunity. An internal average current loop forces real time current sharing between phases during load transients.

The LM3754 supports adjustable Soft-Start. The Soft-Start function can only drive the output upwards – it will not pull it down, therefore, pre-biased loads will not be discharged. Available in the 5 mm x 5 mm thermally enhanced 32-lead WQFN package with a thermal pad.

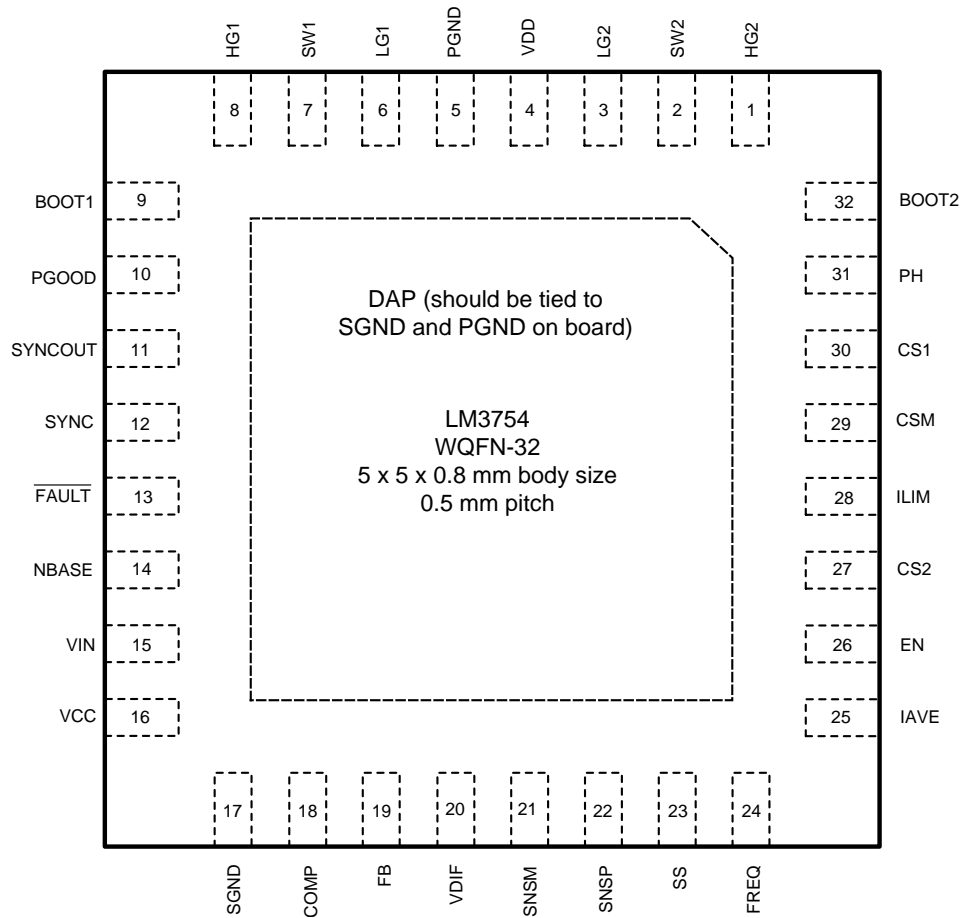
## Simplified Application



Please be aware that an important notice concerning availability, standard warranty, and use in critical applications of Texas Instruments semiconductor products and disclaimers thereto appears at the end of this data sheet.

All trademarks are the property of their respective owners.

## Connection Diagram



**Figure 1. Top View  
32-Lead WQFN**

### Pin Descriptions

Pin Number	Pin Name	Description
1	HG2	Gate drive of the high-side N-channel MOSFET for Phase 2.
2	SW2	Switching node of the power stage of Phase 2.
3	LG2	Gate drive of the low-side N-channel MOSFETs for Phase 2.
4	VDD	Power supply for gate drivers. Decouple VDD to PGND with a ceramic capacitor. VDD can either be supplied by an external 5V $\pm$ 10% bus, or by the internal regulator, which uses an external NPN pass device. If using the internal regulator, connect VDD to the emitter of the NPN pass device.
5	PGND	Power Ground. Tie PGND and SGND together on the board through the DAP.
6	LG1	Gate drive of the low-side N-channel MOSFETs for Phase 1.
7	SW1	Switching node of the power stage of Phase 1.
8	HG1	Gate drive of the high-side N-channel MOSFET for Phase 1.
9	BOOT1	Bootstrap of Phase 1 for the high-side gate drive power supply.
10	PGOOD	Power Good open-drain output. Active HIGH.
11	SYNCOUT	Synchronization Output. For multi-controller systems this pin should be connected to the SYNC pin of the next controller in daisy-chain configuration

### Pin Descriptions (continued)

Pin Number	Pin Name	Description
12	SYNC	Synchronization Input. SYNCOUT of one controller is connected to SYNC of the next controller in a daisy-chain fashion. To synchronize the whole chain of controllers to an external clock, wire the external clock to the SYNC pin of the first controller of the chain (called the Master controller). Otherwise, connect the SYNC input of the Master controller to ground and all of the controllers will be controlled by the internal oscillator of the Master.
13	$\overline{\text{FAULT}}$	Input/Output. Wire the $\overline{\text{FAULT}}$ pin of all controllers together. $\overline{\text{FAULT}}$ gets pulled Low during startup, an over-current fault, or an over-voltage fault. $\overline{\text{FAULT}} = \text{Low}$ signals all controllers to stop switching and prepare for the next startup sequence. The first LM3754 in the system (the Master) supplies the $\overline{\text{FAULT}}$ pin pull-up current for all of the controllers.
14	NBASE	Connect to the base of external series-pass NPN if using the LM3754 internal LDO controller to generate VDD. Otherwise leave unconnected.
15	VIN	Input Voltage. Connect VIN to the input supply rail used to supply the power stages. This input is used to provide the feed-forward for the voltage control of $V_{\text{OUT}}$ and for generating the internal VCC voltage.
16	VCC	Supply for internal control circuitry. Decouple VCC to PGND with a ceramic capacitor. When $V_{\text{IN}} > 5.5\text{V}$ , the internal LDO will supply 4.35V to this pin. When $4.5\text{V} < V_{\text{IN}} < 5.5\text{V}$ , connect VIN to VCC. In this case the internal VCC LDO will turn off and VCC current will be supplied directly by VIN.
17	SGND	Signal Ground. Tie PGND and SGND together on the board through the DAP.
18	COMP	Error Amplifier Output. For the Master, a compensation network is placed between the COMP pin and the FB pin. The COMP pin of the Master should be connected to the SNSP pin of each of the Slaves. The COMP pin of each of the Slaves must be connected to its VDIF pin.
19	FB	Feedback Input. This is the inverting input of the error amplifier. Connect the Master FB pin to the output voltage divider and compensation network. Connect each Slave FB pin to its own VCC pin. This will put that controller in Slave mode and disable its error amplifier.
20	VDIF	Output of the remote-sense differential amplifier. Connect the Master VDIF pin to the output voltage divider and compensation network. The Slave differential amplifier is used to buffer COMP from the Master controller. Connect each Slave VDIF pin to its own COMP pin.
21	SNSM	Inverting input of the remote-sense differential amplifier. Connect SNSM of the Master controller to PGND at the load point. On Slave controllers, the differential amplifier is used to buffer COMP from the Master controller. Connect SNSM of each Slave controller directly to the Master controller SGND pin.
22	SNSP	Non-inverting input of the remote-sense differential amplifier. Connect the SNSP of the Master controller to $V_{\text{OUT}}$ at the load point. On Slave controllers, the differential amplifier is used to buffer COMP of the Master controller. Connect SNSP of each Slave controller to the Master controller COMP pin.
23	SS	Soft-Start. Connect the SS pins of all of the controllers in the system together. At the Master controller, connect a soft-start capacitor between SS and SGND. Only the Master controller supplies the pull up current to the SS capacitor.
24	FREQ	Frequency Adjust. A frequency adjust resistor and decoupling capacitor are connected between FREQ and SGND to program the switching frequency between 200 kHz to 1 MHz (each phase). These components must be supplied on the Master and Slaves, even if the system is synchronized to an external clock.
25	IAVE	Current Averaging. Connect a 4.02 k $\Omega$ , 1%, resistor between each controller's IAVE pin and SGND. In the case where one phase is not used, connect an 8.06 k $\Omega$ resistor. Connect a filter capacitor between IAVE and SGND at each controller.
26	EN	Enable Input. Used for VIN UVLO function, connect EN to the midpoint of a voltage divider from VIN to SGND. The EN pins of all controllers must be wired together. For an on/off EN function, wire the EN pins of all controllers together and control with an open drain output.
27	CS2	Positive current-sense input of Phase 2. Connect to the DCR network or the current-sense resistor of Phase 2. The negative current-sense input is the CSM pin.
28	ILIM	Current Limit Set. Connect a resistor between ILIM and CSM. The resistance between ILIM and CSM programs the current limit.
29	CSM	Negative current-sense input of the internal current-sense amplifiers. Connect to $V_{\text{OUT}}$ .
30	CS1	Positive current-sense input of Phase 1. Connect to the DCR network or the current-sense resistor of Phase 1. The negative current-sense input is the CSM pin.
31	PH	Phase Select Input. Connect this pin to the middle of a resistor divider between VCC and SGND to program the number of phases in the system.
32	BOOT2	Bootstrap pin of Phase 2 for the high-side gate drive power supply.
	DAP	Die Attach Pad. Must be connected to PGND and SGND but cannot be used as the primary ground connection; do not place any traces or vias other than GND in the outer layer under the DAP; see application note AN-1187 (literature number <a href="#">SNOA401</a> ).



These devices have limited built-in ESD protection. The leads should be shorted together or the device placed in conductive foam during storage or handling to prevent electrostatic damage to the MOS gates.

### Absolute Maximum Ratings<sup>(1)(2)</sup>

VIN to SGND, PGND	-0.3V to 24V
SGND to PGND	-0.3V to 0.3V
VCC and VDD to VIN	+0.3V
VDD to PGND	-0.3V to 6V
PGOOD, $\overline{\text{FAULT}}$ to SGND	-0.3V to 6V
VCC, EN, SS, SYNC, CS1, CS2, CSM, ILIM, SNSM, SNSP to SGND	-0.3V to 6V
FREQ, PH, FB to SGND	-0.3 to VCC + 0.3V
BOOT1, BOOT2 to PGND <sup>(3)</sup>	-0.3V to 24V Peak
SW1, SW2 to PGND <sup>(3)</sup>	-0.3VDC to 24V Peak -3V for less than 40 ns
BOOT1 to SW1, BOOT2 to SW2 <sup>(3)</sup>	-0.3V to 6.0V Peak
SYNCOUT	±20 mA
PGOOD, $\overline{\text{FAULT}}$	±20 mA
VDIF	±5 mA
COMP	±4 mA
ESD Rating, HBM <sup>(4)</sup>	2 kV
Junction Temperature ( $T_{J-MAX}$ )	+150°C
Storage Temperature Range	-65°C to +150°C

- (1) Absolute Maximum Ratings indicate limits beyond which damage to the device may occur, including inoperability and degradation of device reliability and/or performance. Functional operation of the device and/or non-degradation at the Absolute Maximum Ratings or other conditions beyond those indicated in the Recommended Operating Conditions is not implied. Operating Range conditions indicate the conditions at which the device is functional and the device should not be operated beyond such conditions. For ensured specifications and conditions, see the Electrical Characteristics table.
- (2) If Military/Aerospace specified devices are required, please contact the Texas Instruments Sales Office/Distributors for availability and specifications.
- (3) Peak is the dc plus transient voltage including switching spikes.
- (4) Human Body Model (HBM) is a 100 pF capacitor discharged through a 1.5 kΩ resistor into each pin. Applicable standard is JESD22-A114C. All pins pass 2 kV HBM except VDD, VIN and VCC which are rated for 1.5 kV.

### Operating Ratings<sup>(1)</sup>

VIN Low Range	4.5V to 5.5V
VIN High Range when using integrated VCC LDO	5.5V to 18V
VIN High Range when using integrated VDD linear regulator controller	6V to 18V
VCC External Supply Voltage	4.5V to 5.5V
VDD External Supply Voltage	4.5V to 5.5V
Output Voltage Range	0.6V to 3.6V
SYNC, EN	0V to 5.5V
SNSM	-0.25V to 1.0V
SNSP to SNSM	0V to 3.6V
IAVE	0V to 1.15V
CS1 and CS2 to CSM	-15 mV to 45 mV
CS1, CS2, ILIM and CSM to SGND	0V to 3.6V
ILIM to CSM	0V to 200 mV
Junction Temperature Range	-5°C to +125°C

- (1) Absolute Maximum Ratings indicate limits beyond which damage to the device may occur, including inoperability and degradation of device reliability and/or performance. Functional operation of the device and/or non-degradation at the Absolute Maximum Ratings or other conditions beyond those indicated in the Recommended Operating Conditions is not implied. Operating Range conditions indicate the conditions at which the device is functional and the device should not be operated beyond such conditions. For ensured specifications and conditions, see the Electrical Characteristics table.

**Operating Ratings<sup>(1)</sup> (continued)**

Thermal Data		
Junction-to-Ambient Thermal Resistance ( $\theta_{JA}$ ), WQFN-32 Package <sup>(2)</sup>		26.4°C/W

(2) Tested on a four layer JEDEC board. Four vias provided under the exposed pad. See JEDEC standards JESD51-5 and JESD51-7.

**Electrical Characteristics**

Limits in standard type are for  $T_J = 25^\circ\text{C}$  only; limits in boldface type apply over the junction temperature ( $T_J$ ) range of  $-5^\circ\text{C}$  to  $+125^\circ\text{C}$ . Minimum and Maximum limits are specified through test, design, or statistical correlation. Typical values represent the most likely parametric norm at  $T_J = 25^\circ\text{C}$ , and are provided for reference purposes only. Unless otherwise stated  $V_{VIN} = 12\text{V}$ ,  $V_{VDD} = 5\text{V}$ ,  $V_{VCC} = \text{internal LDO}$ ,  $V_{EN} = 2\text{V}$ ,  $R_{FRQ} = 78.7\text{ k}\Omega$ ,  $V_{PH} = 0\text{V}$ ,  $V_{CS1} = V_{CS2} = V_{CSM} = V_{SS} = V_{SNSP} = 1.8\text{V}$ ,  $V_{LIM} - V_{CSM} = 100\text{ mV}$ ,  $V_{SNSM} = V_{SYNC} = 0\text{V}$ ,  $V_{SYNCOU}$  floating.

Symbol	Parameter	Conditions	Min	Typ	Max	Units
<b>System Accuracy</b>						
$V_{OUT}$	Output Voltage Accuracy Includes trimmed EA and diff amplifier offset and gain errors; 0.5 mA load at VDIF	$V_{OUT} = 3.6\text{V}$	<b>-0.65</b>	-0.11	<b>0.45</b>	%
		$V_{OUT} = 2.5\text{V}$	<b>-0.75</b>	-0.134	<b>0.6</b>	%
		$V_{OUT} = 1.8\text{V}$	<b>-0.9</b>	-0.165	<b>0.7</b>	%
		$V_{OUT} = 0.6\text{V}$	<b>-2.25</b>	-0.4	<b>1.25</b>	%
<b>Phase Current Equalization</b>						
$\Delta I_{PH}$	Current Equalization (from average per phase current)	$V_{CSM} = 1.8\text{V}$ , $V_{CS1} = V_{CS2} = V_{CSM} + 30\text{ mV}$ , $V_{IAVE} = 740\text{ mV}$ , $V_{COMP} = 1.9\text{V}$	<b>-12</b>		<b>12</b>	%
<b>System Supplies and UVLO</b>						
<b>VIN</b>						
$I_{VIN}$	VIN Operating Current	2-phase switching gate drivers unloaded		15		mA
$I_{VIN-Q}$	VIN Quiescent Current	$V_{FB} = 650\text{ mV}$ , no PWM switching, NBASE is floating (no NPN)		9	<b>18</b>	mA
$I_{VIN-SD}$	VIN Shutdown Current	$V_{EN} = 0\text{V}$		200	<b>450</b>	$\mu\text{A}$
<b>VCC</b>						
$V_{VCC}$	VCC Linear Regulator Output Voltage	0 to 3 mA sourced to an external load; $V_{VIN} = 5.5\text{V}$ to 18V	<b>4.25</b>	4.35	<b>4.45</b>	V
$I_{VCC}$	VCC Input Current from External Supply	$V_{VIN} = 5.5\text{V}$ , $V_{VCC} = 5.5\text{V}$		10	<b>20</b>	mA
$I_{VCC-SD}$	VCC Input Shutdown Current from External Supply	$V_{EN} = 0\text{V}$ , $V_{VIN} = 12\text{V}$ , $V_{VCC} = 5\text{V}$		260		$\mu\text{A}$
$I_{VCC-LIM}$	VCC Output Current Limit	$V_{VCC} = 2.5\text{V}$	<b>9</b>	30	<b>53</b>	mA
		$V_{VCC} = 0\text{V}$		50		
$V_{VCC-EN}$	VCC UVLO Thresholds	$V_{VCC}$ Rising	<b>4.04</b>	4.14	<b>4.24</b>	V
		$V_{VCC}$ Falling	<b>3.9</b>	4	<b>4.1</b>	
$V_{VCC-HYS}$	VCC Threshold Hysteresis			140		mV
$t_{D-VCC}$	VCC UVLO/UVP Debounce Time			8		$\mu\text{s}$
<b>VDD, NBASE, BOOT1, BOOT2, SW1, SW2</b>						
$V_{VDD}$	VDD Controller Regulation Voltage	$V_{VIN} = 6\text{V}$ to 18V	<b>4.6</b>	4.85	<b>5.1</b>	V
$V_{NBASE}$	VIN-to-NBASE Dropout	$V_{VIN} = 5.5\text{V}$ , 700 mV source connected from VDD to NBASE, $I_{NBASE} = 5\text{ mA}$		330		mV
		$V_{VIN} = 5.5\text{V}$ , 700 mV source connected from VDD to NBASE, $I_{NBASE} = 1\text{ mA}$		130		
$V_{NBASE-REG}$	NBASE Load Regulation	$V_{VIN} = 18\text{V}$ , 700 mV source connected from VDD to NBASE, $I_{NBASE}$ steps 1 mA to 5 mA		4		mV
$I_{VDD}$	VDD Operating Current from External Power Supply	$V_{VDD} = V_{VIN} = V_{VCC} = 5.5\text{V}$ , $f_{SW} = 300\text{ kHz}$ , Gate Drivers unloaded		1		mA
$I_{VDD-SD}$	VDD Shutdown Current	$V_{EN} = 0\text{V}$ , $V_{VIN} = 12\text{V}$ , $V_{VDD} = 5\text{V}$		2	<b>30</b>	$\mu\text{A}$
$I_{NBASE-CL}$	NBASE Current Limit	$V_{NBASE} = V_{VDD} + 0.7\text{V}$ , $\Delta V_{VDD} = -100\text{ mV}$	<b>5.8</b>	10		mA
		$V_{NBASE} = V_{VDD} = 0\text{V}$		20		

## Electrical Characteristics (continued)

Limits in standard type are for  $T_J = 25^\circ\text{C}$  only; limits in boldface type apply over the junction temperature ( $T_J$ ) range of  $-5^\circ\text{C}$  to  $+125^\circ\text{C}$ . Minimum and Maximum limits are specified through test, design, or statistical correlation. Typical values represent the most likely parametric norm at  $T_J = 25^\circ\text{C}$ , and are provided for reference purposes only. Unless otherwise stated  $V_{VIN} = 12\text{V}$ ,  $V_{VDD} = 5\text{V}$ ,  $V_{VCC} = \text{internal LDO}$ ,  $V_{EN} = 2\text{V}$ ,  $R_{FRQ} = 78.7\text{ k}\Omega$ ,  $V_{PH} = 0\text{V}$ ,  $V_{CS1} = V_{CS2} = V_{CSM} = V_{SS} = V_{SNSP} = 1.8\text{V}$ ,  $V_{ILIM} - V_{CSM} = 100\text{ mV}$ ,  $V_{SNSM} = V_{SYNC} = 0\text{V}$ ,  $V_{SYNCOU} \text{ floating}$ .

Symbol	Parameter	Conditions	Min	Typ	Max	Units
$I_{BOOT-SD}$	BOOT1, BOOT2 Shutdown Current	$V_{EN} = 0\text{V}$ , $V_{SW1(2)} = 0\text{V}$ , $V_{BOOT} - V_{SW} = 5\text{V}$		4.5	<b>15</b>	$\mu\text{A}$
$I_{BOOT}$	BOOT1, BOOT2 Operating Current	$V_{BOOT1(2)} = 17.0\text{V}$ , $V_{SW1(2)} = 12.0\text{V}$ , $f_{SW} = 300\text{ kHz}$ , Gate Drivers unloaded		650		$\mu\text{A}$
$I_{SW}$	SW1, SW2 Leakage Current with Pre-Biased Output	$V_{VCC} = 0\text{V}$ , $V_{EN} = 0\text{V}$ , $V_{SW1(2)} = 3.6\text{V}$		3		$\mu\text{A}$
$V_{VDD-TH}$	VDD UVLO Thresholds	$V_{VDD}$ Rising	<b>3.8</b>	4.02	<b>4.28</b>	V
		$V_{VDD}$ Falling	<b>3.37</b>	3.71	<b>4.03</b>	V
$V_{VDD-HYS}$	VDD UVLO/UVP Hysteresis			310		mV
$t_{D-VDD}$	VDD UVLO/UVP Debounce Time			11		$\mu\text{s}$
<b>Thermal Shutdown</b>						
$T_{J-SD}$	Thermal Shutdown Threshold	Rising		160		$^\circ\text{C}$
$T_{J-HYS}$	Thermal Shutdown Threshold Hysteresis			30		$^\circ\text{C}$
<b>EN</b>						
$V_{EN-H}$	HIGH Level Input Voltage		<b>1.51</b>			V
$V_{EN-L}$	LOW Level Input Voltage				<b>1.14</b>	V
$V_{EN-TH}$	EN Threshold	$V_{VIN} = 4.5\text{V to }18\text{V}$ , $V_{VCC} = 4.5\text{V}$ (Rising)	<b>1.26</b>	1.39	<b>1.51</b>	V
		$V_{VIN} = 4.5\text{V to }18\text{V}$ , $V_{VCC} = 4.5\text{V}$ (Falling)	<b>1.14</b>	1.25	<b>1.35</b>	V
$V_{EN-HYS}$	EN Threshold Hysteresis			140		mV
$I_{EN}$	EN Input Bias Current	$V_{EN} = 1.5\text{V}$		0.1		$\mu\text{A}$
		$V_{EN} = 1.0\text{V}$		0.4	<b>1.7</b>	$\mu\text{A}$
<b>Reference, Feedback &amp; Error Amplifier: FB, COMP</b>						
$V_{FB}$	FB Voltage Under Regulation	$V_{COMP} = 1.8\text{V}$	<b>0.593</b>	0.599	<b>0.605</b>	V
$V_{FB-REG1}$	FB Voltage $V_{IN}$ Line Regulation	$V_{VIN} = 5.5\text{V to }18\text{V}$		$\pm 0.01$		%
$V_{FB-REG2}$	FB Voltage VCC Line Regulation	$V_{VCC} = V_{VIN} = V_{VDD} = 4.5\text{V to }5.5\text{V}$ (same source)		$\pm 0.15$		%
$I_{FB}$	FB Input Bias Current			45	<b>130</b>	nA
$V_{FB-PTH}$	FB Pin Master/Slave Programming Threshold			3.2		V
$A_{OL}$	DC Gain	FB to COMP, $V_{COMP} = V_{FB} + 1.0\text{V}$		70		dB
$f_{BW}$	Error Amplifier Unity Gain Bandwidth	$R_{COMP-SGND} = 1.5\text{ k}\Omega$ , $C_{COMP-SGND} = 50\text{ pF}$		15		MHz
$V_{COMP-SLEW}$	Error Amplifier Slew Rate			6		V/ $\mu\text{s}$
$V_{COMP-REG}$	COMP Load Regulation, Sourcing	$V_{COMP} = 2.7\text{V}$ , $\Delta I_{COMP} = +1\text{ mA}$ , DC Gain = 40		-3		mV
<b>PWM Ramp and Input Voltage Feed-Forward</b>						
$D_{MAX}$	Maximum Duty Cycle Controlled by Clock	$V_{VIN} = 6\text{V}$ , $V_{COMP} = 3.5\text{V}$	<b>81</b>			%
$D_{FF}$	Duty Cycle Controlled by $V_{IN}$ Feed-Forward	$V_{VIN} = 9\text{V}$ , $V_{COMP} = 2.2\text{V}$		42		%
$t_{ON-MIN}$	Minimum Controllable On-Time			50		ns
$V_{RAMP-MIN}$	PWM Ramp Range	Ramp Minimum		1.3		V
$V_{RAMP-MAX}$		Ramp Maximum		2.8		V
$V_{RAMP}$	PWM Ramp Amplitude			1.5		V

## Electrical Characteristics (continued)

Limits in standard type are for  $T_J = 25^\circ\text{C}$  only; limits in boldface type apply over the junction temperature ( $T_J$ ) range of  $-5^\circ\text{C}$  to  $+125^\circ\text{C}$ . Minimum and Maximum limits are specified through test, design, or statistical correlation. Typical values represent the most likely parametric norm at  $T_J = 25^\circ\text{C}$ , and are provided for reference purposes only. Unless otherwise stated  $V_{VIN} = 12\text{V}$ ,  $V_{VDD} = 5\text{V}$ ,  $V_{VCC} = \text{internal LDO}$ ,  $V_{EN} = 2\text{V}$ ,  $R_{FRQ} = 78.7\text{ k}\Omega$ ,  $V_{PH} = 0\text{V}$ ,  $V_{CS1} = V_{CS2} = V_{CSM} = V_{SS} = V_{SNSP} = 1.8\text{V}$ ,  $V_{ILIM} - V_{CSM} = 100\text{ mV}$ ,  $V_{SNSM} = V_{SYNC} = 0\text{V}$ ,  $V_{SYNCOU}$  floating.

Symbol	Parameter	Conditions	Min	Typ	Max	Units
<b>Differential Amplifier: SNSP, SNSM, VDIF</b>						
$V_{OS-INPUT}$	Input Offset Voltage	$V_{SNSP} = 1.8\text{V}$		3		mV
$R_{INPUT-SNSP}$	Input Resistance of SNSP			30		k $\Omega$
$A_{V-DIF}$	Gain	$V_{SNSP} = 0.6\text{V to } 3.6\text{V}$	<b>0.996</b>	1	<b>1.004</b>	V/V
$f_{BW-DIF}$	3dB Bandwidth			2		MHz
$V_{DIF-REG1}$	VDIF Load Regulation, Sourcing	$V_{VDIF} = 3.6\text{V}$ , $I_{VDIF} = 0.5\text{ mA}$	<b>-3</b>			mV
$V_{DIF-REG2}$	VDIF Load Regulation, Sourcing	$V_{VDIF} = 0.6\text{V}$ , $I_{VDIF} = 0.5\text{ mA}$	<b>-3</b>			mV
<b>Current-Sense, Current Limit and Hiccup Mode: CS1, CS2, CSM, ILIM</b>						
$V_{CS-OS}$	Current-Sense Input Offset Voltage Range, $V_{CS1(2)} - V_{CSM}$	$V_{OUT} = 1.8\text{V}$		$\pm 2$		mV
$I_{CS}$	CS1, CS2 Input Bias Current	$V_{CSM} = 3.6\text{V}$ , $V_{CS1(2)} - V_{CSM} = -15\text{ mV and } +40\text{ mV}$	<b>-200</b>		<b>200</b>	nA
		$V_{CSM} = 0.6\text{V}$ , $V_{CS1(2)} - V_{CSM} = -15\text{ mV and } +40\text{ mV}$	<b>-450</b>		<b>450</b>	nA
$I_{CSM}$	CSM Input Source Bias Current	$V_{CSM} = 0.6\text{V and } 3.6\text{V}$ , $V_{CS1(2)} - V_{CSM} = 40\text{ mV}$		150	<b>240</b>	$\mu\text{A}$
$I_{CSL}$	CS1+ CS2 + CSM + ILIM Leakage Current with Pre-Biased Output	$V_{VCC} = 0\text{V}$ , $V_{EN} = 0\text{V}$ , $V_{CSM} = V_{CS1} = V_{CS2} = V_{ILIM} = 3.6\text{V}$		0.1		$\mu\text{A}$
$f_{BW-CS}$	3dB Bandwidth, CS1(2) to PWM COMPARATOR Input			1.0		MHz
$I_{ILIM-SOURCE}$	ILIM Source Current	$V_{ILIM} = 0.6\text{V to } 3.6\text{V}$ , $V_{VIN} = 5.5\text{V}$	<b>85</b>	94	<b>103</b>	$\mu\text{A}$
$V_{CL}$	Current Limit Threshold Voltage $V_{ILIM} - V_{CS1(2)}$	$V_{ILIM} = 0.6\text{V to } 3.6\text{V}$ , $V_{VIN} = 5.5\text{V}$	<b>-2.5</b>	0	<b>4.6</b>	mV
$t_{D-CL}$	Current Limit Comparator Propagation Delay	$V_{CS1}$ or $V_{CS2}$ stepped from 0.9V to 1.1V, $V_{ILIM} = 1\text{V}$		200		ns
$t_{D-ILIM}$	Master or Slave Fast Current Limit Delay	$V_{FB} = 280\text{ mV}$ , 1-phase over-current: $V_{CS1}$ OR $V_{CS2} > V_{ILIM}$		7		Switch cycles
		$V_{FB} = 280\text{ mV}$ , 2-phase over-current: $V_{CS1}$ AND $V_{CS2} > V_{ILIM}$		3		Switch cycles
$t_{D-HICCUP}$	Master or Slave Over-Current Hiccup Mode Delay	1-phase over-current: $V_{CS1}$ OR $V_{CS2} > V_{ILIM}$		446		Switch cycles
		2-phase over-current: $V_{CS1}$ AND $V_{CS2} > V_{ILIM}$		223		Switch cycles
$t_{D-COOL-DOWN}$	Hiccup Over-Current Cool-Down Time			6		ms
<b>Power Good: PGOOD, OVP, UVP</b>						
$V_{OVP}$	OVP Threshold	$V_{FB}$ rising edge	<b>125</b>	130	<b>135</b>	$\%V_{FB}$
$t_{D-RESTART}$	OVP Restart Delay			2		ms
$N_{OVP-LATCH}$	Number of OVP Events Before Latch-Off			7		
$V_{UVP}$	UVP Threshold	$V_{FB}$ falling edge	<b>75</b>	80	<b>85</b>	$\%V_{FB}$
$V_{UVP-HYS}$	UVP Threshold Hysteresis			25		mV
$t_{D-OVP/UVP}$	OVP/UVP Debounce Time			5		$\mu\text{s}$
$V_{PG-LO}$	PGOOD Low Level	$I_{PGOOD} = -4\text{ mA}$		0.14	<b>0.25</b>	V
$I_{PG-LEAK}$	PGOOD Leakage Current	$V_{PGOOD} = 5.5\text{V}$		5	<b>300</b>	nA

## Electrical Characteristics (continued)

Limits in standard type are for  $T_J = 25^\circ\text{C}$  only; limits in boldface type apply over the junction temperature ( $T_J$ ) range of  $-5^\circ\text{C}$  to  $+125^\circ\text{C}$ . Minimum and Maximum limits are specified through test, design, or statistical correlation. Typical values represent the most likely parametric norm at  $T_J = 25^\circ\text{C}$ , and are provided for reference purposes only. Unless otherwise stated  $V_{VIN} = 12\text{V}$ ,  $V_{VDD} = 5\text{V}$ ,  $V_{VCC} = \text{internal LDO}$ ,  $V_{EN} = 2\text{V}$ ,  $R_{FRQ} = 78.7\text{ k}\Omega$ ,  $V_{PH} = 0\text{V}$ ,  $V_{CS1} = V_{CS2} = V_{CSM} = V_{SS} = V_{SNSP} = 1.8\text{V}$ ,  $V_{ILIM} - V_{CSM} = 100\text{ mV}$ ,  $V_{SNSM} = V_{SYNC} = 0\text{V}$ ,  $V_{SYNCOUT}$  floating.

Symbol	Parameter	Conditions	Min	Typ	Max	Units
<b>FAULT</b>						
$I_{FAULT}$	Internal Pullup Current in Master Mode			325		$\mu\text{A}$
$V_{OL-FAULT}$	$\overline{\text{FAULT}}$ Output Low Level	$I_{FAULT}$ sinking 500 $\mu\text{A}$		0.21		V
$V_{OH-FAULT}$	$\overline{\text{FAULT}}$ Output High Level	$I_{FAULT}$ sourcing 50 $\mu\text{A}$		$V_{CC} - 0.1$		V
<b>Oscillator and Synchronization (PLL): SYNC, SYNCOUT, FREQ</b>						
$f_{SW-MIN}$	Minimum Switching Frequency	$R_{FRQ} = 121\text{ k}\Omega$		200		kHz
$f_{SW-MAX}$	Maximum Switching Frequency	$R_{FRQ} = 21.3\text{ k}\Omega$		1000		kHz
$f_{SW}$	Switching Frequency Accuracy	$R_{FRQ} = 78.7\text{ k}\Omega$	<b>282</b>	300	<b>318</b>	kHz
$f_{SYNC}$	SYNC Frequency Capture Range	200 kHz to 1 MHz		$\pm 25$		%
$V_{SYNC-RISE}$	SYNC Rising Threshold			1.46	<b>1.68</b>	V
$V_{SYNC-FALL}$	SYNC Falling Threshold		<b>1.12</b>	1.3		V
$t_{SYNC-MIN}$	SYNC Minimum Pulse Width			150		ns
$I_{SYNC}$	SYNC Bias Current (internal or external VCC)	$V_{SYNC} = 0$ to 5.5V	<b>-15</b>		<b>25</b>	$\mu\text{A}$
$V_{SYNCOUT-HI}$	SYNCOUT Logic High Level	Sourcing 10 mA, $V_{VCC} = 4.5\text{V}$ external	<b><math>V_{CC} - 0.42</math></b>			V
$V_{SYNCOUT-LO}$	SYNCOUT Logic Low Level	Sinking 10 mA, $V_{VCC} = 4.5\text{V}$ external			<b>0.48</b>	V
$PH_{RATIO}$	$V_{PH}/V_{VCC}$ Divider Ratio to Set Phase Number	2 & 4 Phases		0	<b>0.138</b>	
		3 Phases	<b>0.152</b>	3/14	<b>0.279</b>	
		5 Phases	<b>0.294</b>	5/14	<b>0.418</b>	
		6 Phases	<b>0.438</b>	7/14	<b>0.562</b>	
		8 Phases	<b>0.587</b>	9/14	<b>0.703</b>	
		10 Phases	<b>0.730</b>	11/14	<b>0.844</b>	
	12 Phases	<b>0.874</b>	1			
$I_{PH}$	PH Bias Current	$V_{VCC} = 4.5\text{V}$ forced, $V_{PH} = 0$ to $V_{VCC}$	<b>-150</b>		<b>150</b>	nA
$\Phi_{HG1-N2}$	HG1 to HG2 Phase Shift for 2, 4, 6, 8, 10 or 12-Phase Modes			180		$^\circ$
$\Phi_{HG1-N3}$	HG1 to HG2 Phase Shift for 3-Phase Mode			240		$^\circ$
$\Phi_{HG1-N5}$	HG1 to HG2 Phase Shift for 5-Phase Mode			216		$^\circ$
$\Phi_{SYNC}$	SYNC to SYNCOUT Phase Shift for N-phase Operation	$N > 2$		360/N		$^\circ$
		$N = 2$		90		
$t_{SYNC-ERR}$	SYNC to SYNCOUT Phase Shift Error			5		ns
$t_{SYNC-HG}$	SYNC to HG1(2)			165		ns
$\Phi_{HG-ERR}$	HG1 and HG2 Controller-to-Controller Phase Delay Error	300 kHz, 6-phase		5		$^\circ$
<b>Soft-Start: SS, Pre-Biased Startup</b>						
$I_{SS}$	SS Source Current	$V_{SS} = 0.3\text{V}$	<b>5.7</b>	10	<b>14.6</b>	$\mu\text{A}$
$R_{DS-SS}$	Soft-Start Pull-Down Resistance			750		Ohm
$t_{LG-PW1}$	First LG High Pulse Width during Soft-Start			460		ns



## Electrical Characteristics (continued)

Limits in standard type are for  $T_J = 25^\circ\text{C}$  only; limits in boldface type apply over the junction temperature ( $T_J$ ) range of  $-5^\circ\text{C}$  to  $+125^\circ\text{C}$ . Minimum and Maximum limits are specified through test, design, or statistical correlation. Typical values represent the most likely parametric norm at  $T_J = 25^\circ\text{C}$ , and are provided for reference purposes only. Unless otherwise stated  $V_{VIN} = 12\text{V}$ ,  $V_{VDD} = 5\text{V}$ ,  $V_{VCC} = \text{internal LDO}$ ,  $V_{EN} = 2\text{V}$ ,  $R_{FRQ} = 78.7\text{ k}\Omega$ ,  $V_{PH} = 0\text{V}$ ,  $V_{CS1} = V_{CS2} = V_{CSM} = V_{SS} = V_{SNSP} = 1.8\text{V}$ ,  $V_{ILIM} - V_{CSM} = 100\text{ mV}$ ,  $V_{SNSM} = V_{SYNC} = 0\text{V}$ ,  $V_{SYNCOU}$  floating.

Symbol	Parameter	Conditions	Min	Typ	Max	Units
$t_{LG-GT}$	LG Asynchronous-to-Synchronous Gradual Transition Time			2		ms
$t_{D-EN-SW}$	EN-to-Switching Delay	Delay from EN = High to $\overline{\text{FAULT}} = \text{High}$ ; no pre-bias		2		ms
<b>Gate Drivers</b>						
$I_{PK-HG-SOURCE}$	HG1 and HG2 Peak Source Current	Less than 100 ns		1.9		A
$R_{HG-SOURCE}$	HG1 and HG2 Source Resistance	$V_{BOOT} - V_{SW} = 5\text{V}$		2.5		$\Omega$
$I_{PK-HG-SINK}$	HG1 and HG2 Peak Sink Current	Less than 100 ns		4		A
$R_{HG-SINK}$	HG1 and HG2 Sink Resistance	$V_{BOOT} - V_{SW} = 5\text{V}$		1		$\Omega$
$I_{PK-LG-SOURCE}$	LG1 and LG2 Peak Source Current	Less than 100 ns		2.3		A
$R_{LG-SOURCE}$	LG1 and LG2 Source Resistance			2		$\Omega$
$I_{PK-LG-SINK}$	LG1 and LG2 Peak Sink Current	Less than 100 ns		4		A
$R_{LG-SINK}$	LG1 and LG2 Sink Resistance			1		$\Omega$
$R_{HG-PULLDOWN}$	HG-SW Pull-Down Resistor			16		k $\Omega$
$R_{LG-PULLDOWN}$	LG-PGND Pull-Down Resistor			16		k $\Omega$
$t_{D-HG-LG}$	HG Falling to LG Rising Cross-Conduction Protection Delay (Dead-Time)	SW node not switching		30		ns
$t_{D-LG-HG}$	LG Falling to HG Rising Delay			28		ns
$t_{DS-HG-LG}$	HG Falling to LG Rising Cross-Conduction Protection Delay (Dead-Time)	SW node switching		10		ns

Typical Performance Characteristics

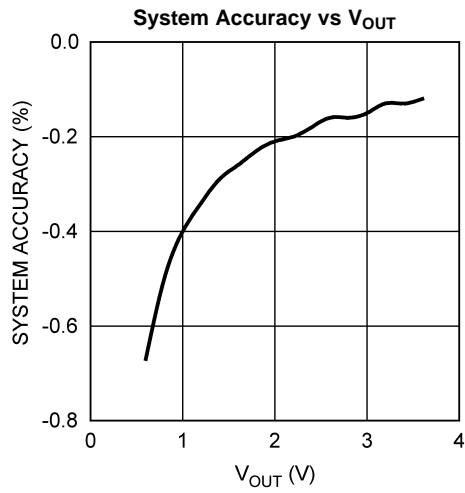


Figure 2.

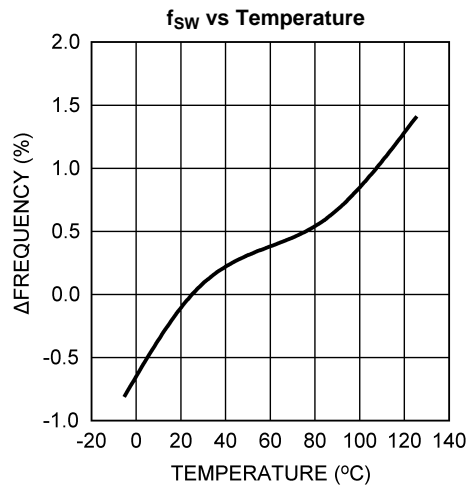


Figure 3.

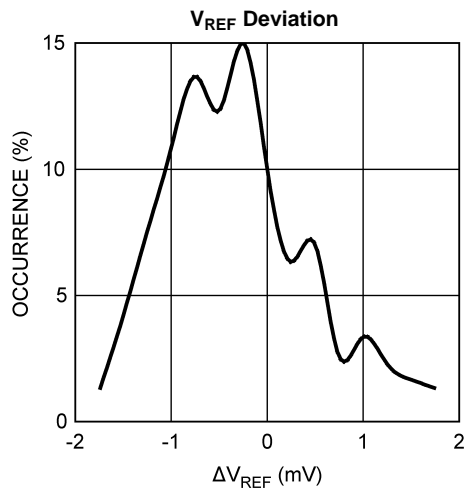


Figure 4.

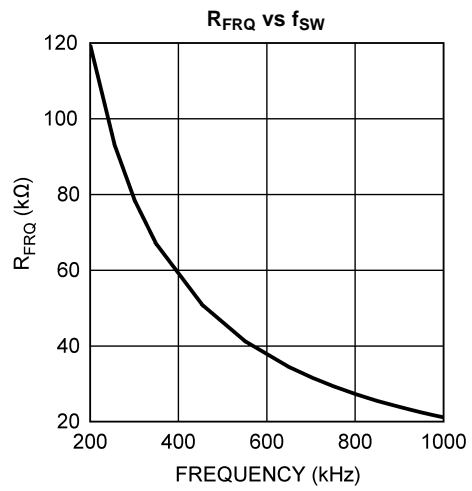


Figure 5.

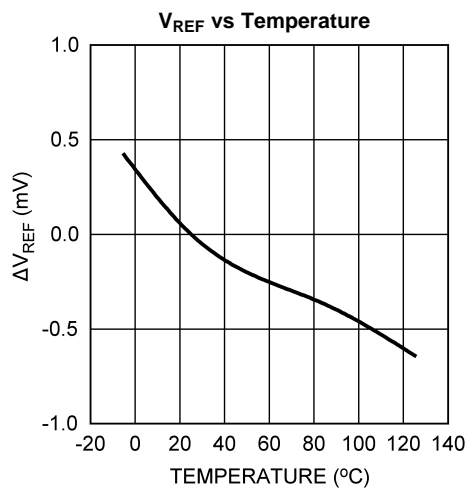


Figure 6.

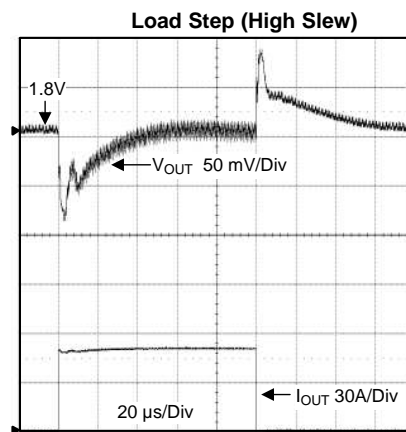


Figure 7.

**Typical Performance Characteristics (continued)**  
**Startup from 0V**

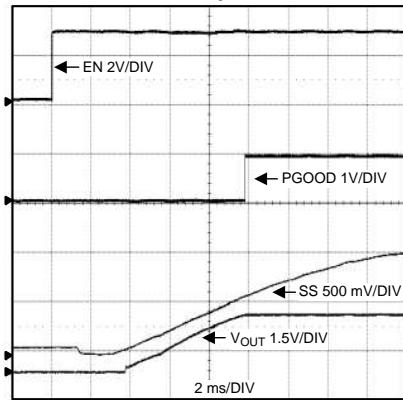


Figure 8.

**Over-Voltage Fault**

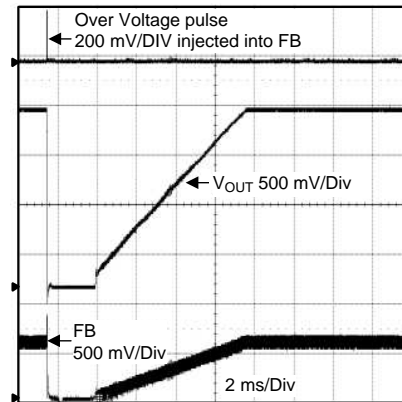


Figure 9.

**Pre-Biased Output Startup**

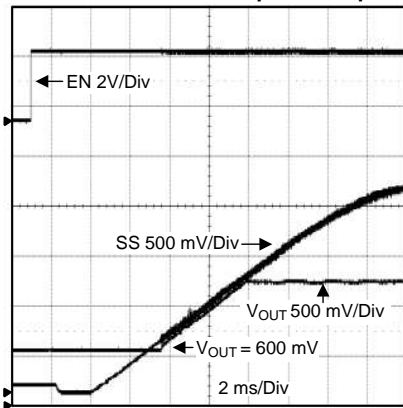


Figure 10.

**Repeated Over-Voltage Conditions**

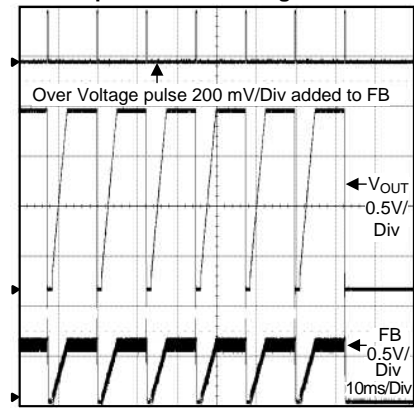


Figure 11.

**Over-Current Fault (Soft Short)**

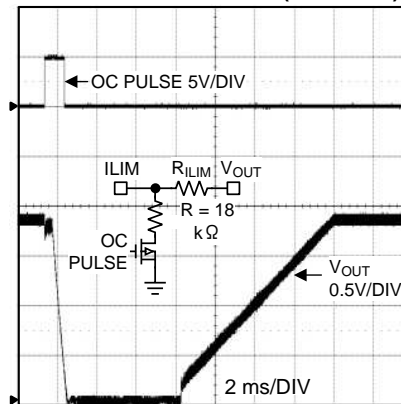
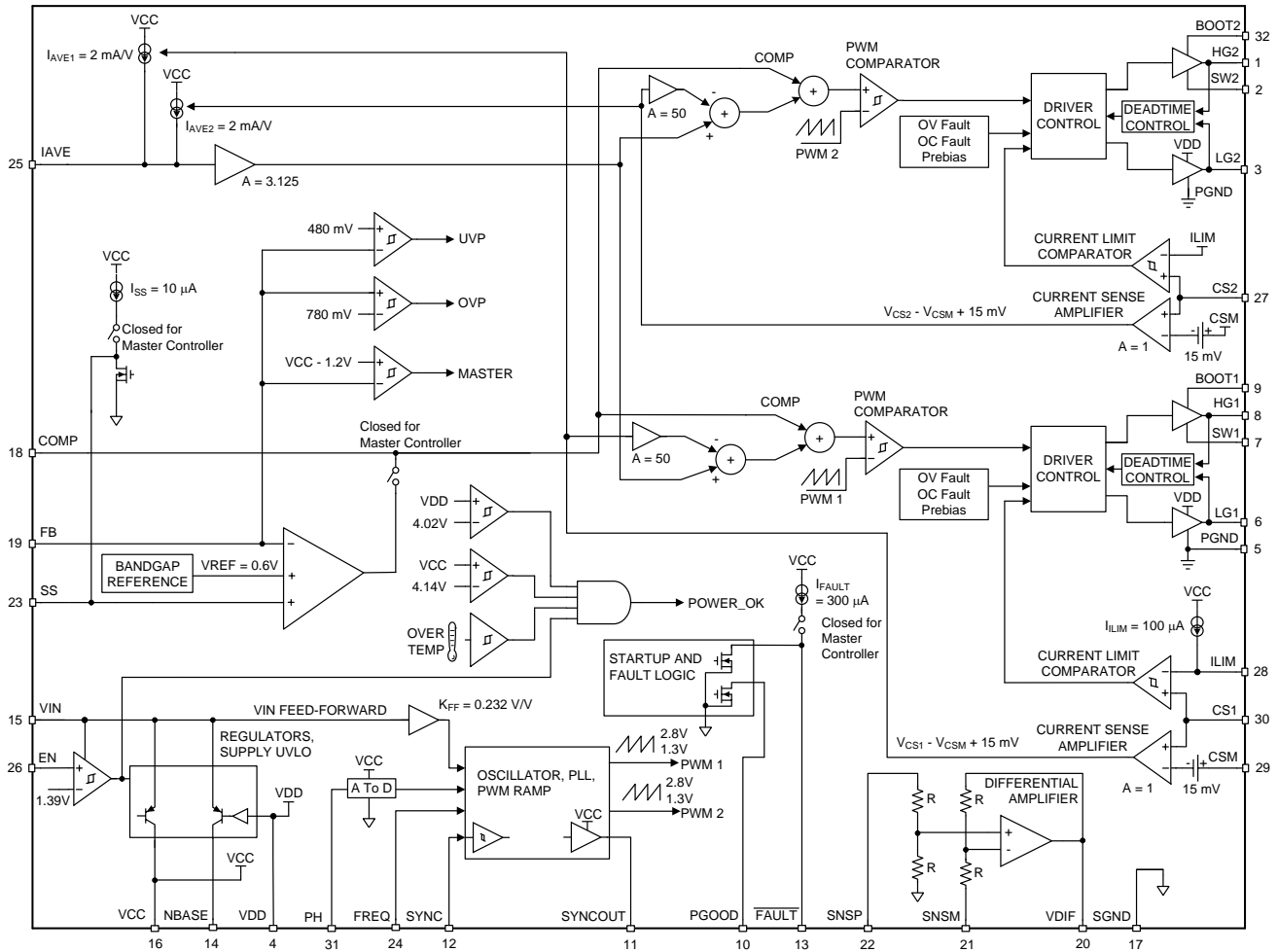


Figure 12.

### Block Diagram



## Functional Description

### General

The LM3754 is a two-phase voltage-mode step-down (buck) switching regulator controller. From one to six LM3754 controllers can be connected together to control from two to twelve phases (2, 3, 4, 5, 6, 8, 10, or 12 phases). Since external switching components can typically handle 25A per phase, a 12 phase system can supply a total of 300A.

Multiple controllers in a system communicate with each other and work together. They will startup and shut down together, each phase on each controller will share current equally, and all the phases will react in unison to fault conditions. In a multi-controller system, all controllers are the same part. One controller functions as the Master and all the others act as Slaves. The Master and Slave are differentiated by how they are connected in the system. The Master controller senses the system output voltage and VIN (as well as SS) and sets the target duty cycle for each phase on all of the controllers. The Master and Slave controllers monitor the current-sense information from each phase. Based on this current information, the controllers adjust the duty cycle on each phase up or down from the target level, in order to achieve optimal current sharing.

Each controller incorporates a phase locked loop (PLL) that communicates with the PLLs on the other controllers. By this means, the switching edges of the different phases are spread out equally within one switch period. For N phases operating at any switching frequency, the angle in degrees between one phase switching and the next is  $360^\circ / N$ . A SYNC pin is available that can be used to lock the Master switching frequency and phase to an external clock.

The LM3754 has a Soft-Start function. The Master controller sources 10  $\mu$ A out of the SS pin so that the output voltage rise time is controlled by the size of the external SS capacitor. The LM3754 will not pull down a pre-biased load. The synchronous NFET switch is not turned on during the soft-start cycle until the SS ramp exceeds either the FB voltage or the internal reference voltage VREF. At this point a gradual transition to synchronous switching is initiated.

### Control Algorithm

The control architecture is primarily voltage-mode. An error amplifier amplifies the difference between the FB pin voltage and the internal reference voltage to generate a COMP signal. This signal is compared against a ramp that consists of a fixed value plus a term proportional to VIN which controls the duty cycle. In order to facilitate current sharing there is an inner current-sense loop. Information for the current through the inductor in each phase is sensed either with a sense resistor or with a DCR arrangement which uses the DC resistance of the inductor. This current-sense signal is connected to the CS pin (CS1 or CS2). The negative reference for current-sense is  $V_{OUT}$  which is common for both phases and connected to the controller's CSM pin. The controller amplifies the (CS1(2) – CSM) voltage difference for each phase, and compares it to the voltage on the IAVE pin, which tracks the average current of all phases. Any phase whose current is more than the average has its duty cycle decreased and vice versa. The IAVE signal is common to all controllers in a system. Each controller outputs a current onto the IAVE bus so that the total current on the bus is the sum of the current signals from all of the phases. An external resistor to ground translates this current signal to a voltage, which all of the controllers read back.

The LM3754 includes an uncommitted differential amplifier. On the Master controller this amplifier is used to remotely sense the converter's output voltage, typically at the load. On the Slave controllers this amplifier is used to buffer the Master controller's COMP signal and level shift it to the Slave controller's local ground.

### Power Connections

The LM3754 has three supply pins, which are VIN, VCC, and VDD. It employs two ground pins, SGND and PGND. VDD and PGND are the power and ground for the gate driver stage that controls the HG and LG pins. The quiescent current drawn by VDD is very small – around 1 mA. To predict the VDD current requirement one can assume it is mostly switching current and use the standard formula:

$$I_{VDD} = (1 \text{ or } 2) \times f_{SW} \times Q_{TOTAL\_PHASE} \quad (1)$$

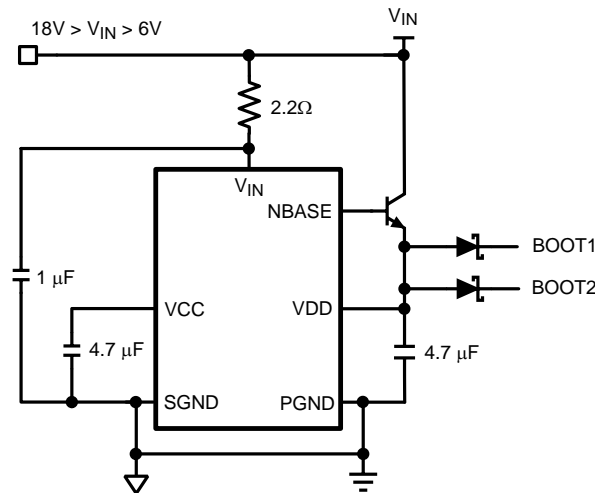
$Q_{TOTAL\_PHASE}$  is the sum of the high-side switch gate charge and the low-side gate charge. The (1 or 2) factor corresponds to one or two phases running. The low-side driver is powered directly from VDD. The high-side driver draws its power from VDD through the external bootstrap Schottky diode. The rest of the controller is powered by VCC and SGND.

The LM3754 has two on-board regulators, one to generate VCC and one to generate VDD. The VCC regulator is self-contained and only needs a 4.7  $\mu\text{F}$  ceramic capacitor to SGND. The VDD regulator uses an external NPN pass device. This device should be sized to meet the  $V_{\text{IN}}$  to VDD dropout requirements for the calculated  $I_{\text{VDD}}$ . The collector of this device goes to  $V_{\text{IN}}$ , the base goes to NBASE and the emitter goes to VDD. VDD also needs a 4.7  $\mu\text{F}$  bypass capacitor to PGND. The internal  $V_{\text{IN}}$  to NBASE dropout is approximately 300 mV. The minimum  $V_{\text{IN}}$  is calculated as:

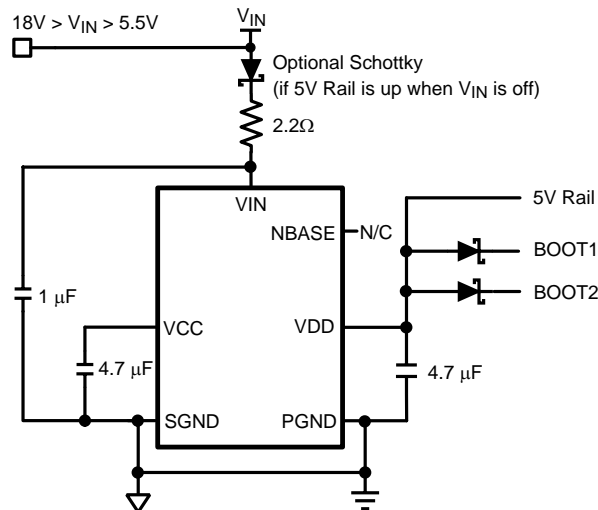
$$V_{\text{IN}_{\text{MIN}}} = V_{\text{DD}_{\text{MIN}}} + V_{\text{BE\_NPN}} + 300 \text{ mV} \quad (2)$$

$$V_{\text{DD}_{\text{MIN}}} = \text{MAX}(V_{\text{DD}_{\text{UVLO}}}, V_{\text{GATE\_MIN}}) \quad (3)$$

$V_{\text{DD}_{\text{UVLO}}}$  is the controller's maximum VDD under-voltage lockout voltage, which is 4.06V.  $V_{\text{GATE\_MIN}}$  is the minimum required gate drive voltage for the power MOSFET switches.  $V_{\text{IN}_{\text{MIN}}}$  is typically 5.5V to 6.0V. For  $V_{\text{IN}}$  less than 5.5V, the regulators are omitted and the VCC and VDD pins are connected as shown in Figure 15.



**Figure 13. Power Connections Using the Internal Regulator**



**Figure 14. Power Connections Using a System 5V Rail**

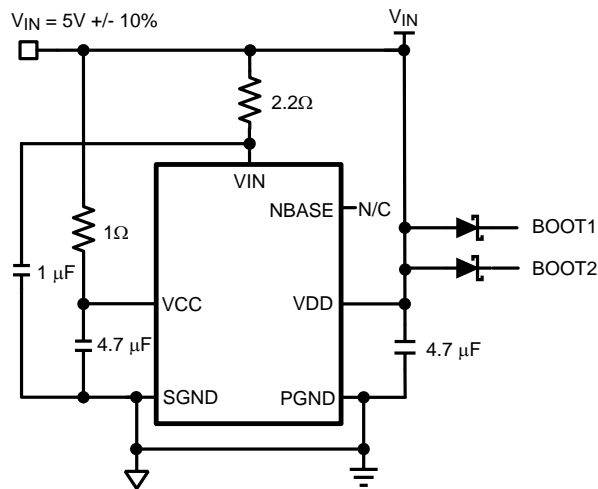


Figure 15. Power Connections for  $V_{IN} = 5V$

### Under-Voltage Lockouts and Enable

The LM3754 controller has internal under-voltage lockout (UVLO) detection on the VCC and VDD supplies. The under-voltage lockout on VIN is set using the EN pin threshold. Connect a voltage divider between VIN and SGND with the midpoint going to the EN pin. The division ratio and the EN pin threshold determine the VIN level that enables the controller. This divider should be used in all cases. If the system does not have a particular VIN under-voltage lockout requirement, the level is set to be below the minimum VIN level at the worst case combination of tolerances and operating conditions.

$$\frac{R_{UV2}}{R_{UV1}} = \frac{V_{IN\_UVLO}}{V_{EN}} - 1 \quad (4)$$

To ensure startup at the lowest input voltage, set the divider to the  $V_{EN\_TH}$  rising max specification. For a higher accuracy VIN UVLO operation, the resistor divider minimum current should be 1 mA or higher. This will reduce the threshold error contribution of the EN pin bias current, which is specified to be less than 1.7  $\mu A$  over temperature. The enable pin can also be used as a digital on-off. To do this, the enable signal should be used to pull down the midpoint of the voltage divider using open-drain logic or a transistor. A customary implementation uses an external MOSFET.

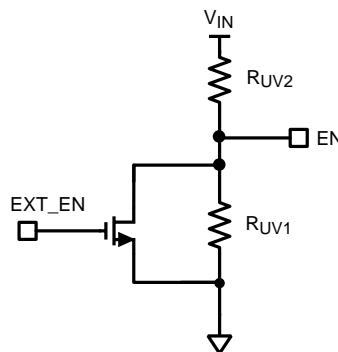


Figure 16. Input Voltage UVLO with External Enable

While the EN pin has a threshold hysteresis of 140 mV typical, a small noise-filtering capacitor may be added between the EN pin and SGND. This is particularly useful when the controller is turning on via the resistor divider by a slowly rising VIN rail.

## Startup Sequence

When EN is below its threshold, the internal regulators are off and the controller is in a low power state. When EN crosses above its threshold the VCC regulator turns on. When VCC rises above its under-voltage lockout threshold the VDD regulator turns on. When VDD rises above its under-voltage lockout threshold the controller is ready to start.

If VDD or VCC is supplied externally and already sitting above its under-voltage lockout point, then the controller is ready for startup as soon as EN crosses above its threshold. Anytime VCC or VDD drops below its UV threshold, switching stops and the controller goes into a standby state. It will go through normal startup once the supplies recover.

When the controller is ready to start, it reads the voltage on the PH pin and determines how many phases are running in the system. By this means the phase delay from SYNC to SYNCOUT through the PLL is configured. Following this the oscillator and PLL turn on and pulses will be observed on SYNCOUT.

A 2 ms timer is initiated so that all of the PLLs in the system can synchronize up. As each controller times out, it stops pulling its FAULT pin low. At the end of this sequence, the FAULT bus rises and the controllers are ready to switch.

The error amplifier uses a different input stage when SS is below VREF. During normal operation the error amplifier employs a low offset bipolar input stage. At startup, the input bias current of this stage is large enough in relation to the soft-start current to affect the soft-start timing. A MOS input stage is used during the soft-start or track phase which has a lower input bias current but a higher input offset voltage. A 40 mV offset is introduced when SS is less than 70 mV. This offset forces the error amplifier output to be low during startup. The offset transitions progressively to zero as SS moves from 0 to 70 mV.

## Soft-Start

The LM3754 implements a soft-start function, and operates so as to prevent discharge of a pre-biased output. The error amplifier amplifies the minimum of VREF or SS at the FB pin. By means of the closed loop regulation through the switching stage, FB will be regulated to SS. The Master controller sources 10  $\mu$ A onto the SS pin, while the Slaves do not source any current. This sets the total soft-start current in a multi-controller system to 10  $\mu$ A.

The SS pin is automatically pulled down to SGND prior to the onset of switching and during a restart from a fault condition. When SS is initially released, COMP is low and no switching occurs. Both LG and HG are held low while SS is below FB, which ensures that a pre-biased load will not be pulled down. When SS crosses above either FB or VREF, COMP will slew up and switching will start. The first switching pulse is a 300 ns LG pulse to charge the external HG bootstrap capacitor. After this the LG pulse width is reduced to zero. This insures that  $V_{OUT}$  does not get pulled down while COMP slews up and the system loop is settling. Pulses on HG cause the high-side FET to turn-on so that FB tracks the SS pin as it slews up. During the switch cycle off-time the inductor current can only flow through the body diode of the synchronous switch. During each successive cycle the LG pulse width gradually increases. Over the course of 0.3 ms to 2.0 ms, depending on the amount of pre-bias, LG pulses get longer until full synchronous switching occurs. The internal timer waits 2 ms, regardless of duty cycle, for this transition in LG pulse width to complete.

Following this PGOOD goes high if FB is above the output under-voltage threshold on the Master, SS is above VREF, no fault conditions are present, and SYNC is toggling on the Slaves.

## Phase Number Selection

The voltage at the PH pin determines the phase shift between the two phases of each controller and also the phase shift between the SYNC and SYNCOUT pulses in a Master-Slave configuration. This voltage is read at startup and the resulting phase configuration saved. The PH pin should be connected to the center of a resistor divider between VCC and SGND to select and program the required number of phases and the corresponding phase delays per [Table 1](#). Each controller requires the same resistor divider at the PH pin.



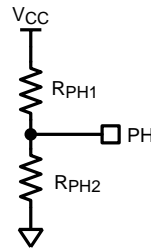


Figure 17. Phase Selection

Table 1. Phase Divider Resistors

Number Of Phases	Divide Ratio Target	R <sub>PH1</sub> (± 1%)	R <sub>PH2</sub> (± 1%)
2 & 4 Phases	0.000	Omit	0
3 Phases	0.214	7870Ω	2150Ω
5 Phases	0.357	6490Ω	3570Ω
6 Phases	0.5	4990Ω	4990Ω
8 Phases	0.643	3570Ω	6490Ω
10 Phases	0.786	2150Ω	7870Ω
12 Phases	1	0	Omit

### Over-Current and Over-Voltage Faults

If any controller experiences a fault condition, it will pull the  $\overline{\text{FAULT}}$  bus low and all of the controllers will stop switching. From the time when EN is low to the point where  $\overline{\text{FAULT}}$  rises, both HG and LG are low so that the SW node of each phase is floating. The  $\overline{\text{FAULT}}$  input may be pulled low externally through an open drain MOSFET to disable the system.

The LM3754 employs cycle-by-cycle current limiting. This occurs on each phase for both Master and Slave controllers. The current (that is the CS1(2) – CSM voltage) is continuously compared to the over-current set point (ILIM – CSM). Any time that the current-sense signal exceeds current limit, the cycle is ended.

In order to determine that a current fault has occurred, each controller counts the number of over-current pulses. When the sum of the counts for phase 1 and phase 2 reaches 446 an over-current fault is declared. The counter is reset after 16 consecutive switching cycles with no over-current on either phase.

There is a second method for achieving an over-current fault, which is meant to react to heavy shorts on V<sub>OUT</sub>. The Master controller will determine that an over-current fault has occurred after 7 over-current cycles if the voltage at the FB pin is less than 50% of its target value. This feature is disabled during startup. Since the Slave controllers do not see the FB voltage, they cannot detect this type of fault.

Any controller which sees an over-current fault will respond by pulling the  $\overline{\text{FAULT}}$  bus low. All of the controllers will react and stop switching. Both HG and LG on each phase will be pulled low. The inductor current in each phase will decay through the body diodes of the low-side switches. The controller which recognized the over-current fault will hold  $\overline{\text{FAULT}}$  low for 6 ms, which determines the hiccup time. This allows the energy stored in the inductors to dissipate. After this,  $\overline{\text{FAULT}}$  is released and all of the controllers will restart together.

The restart after fault process for the LM3754 is the same as the initial startup process. SS is pulled low and the system will go through a full soft-start cycle. Switching will resume when SS crosses above FB.

Over-voltage faults are only recognized by the Master controller. About 5  $\mu$ s after FB crosses above the OVP threshold, which is 30% above VREF, the Master controller declares an over-voltage fault. It pulls the  $\overline{\text{FAULT}}$  bus low and all of the controllers stop switching, with HG being low and LG being high. The low-side MOSFETs pull  $V_{\text{OUT}}$  down to remove the over-voltage condition. As soon as FB crosses below the under-voltage detect point, which is 20% below VREF, the LG outputs go low to turn off the low-side MOSFETs. This prevents the negative inductor current from ramping too high. The Master controller then waits 2 ms to allow any negative inductor current to transition into the high-side MOSFETs body diodes.

The restart from an over-voltage fault is the same as the restart from an over-current fault. In addition there is an over-voltage fault counter. On the seventh over-voltage fault, the system does not restart. It waits for power or EN to be cycled. This counter is reset to zero when power goes low or EN crosses below its threshold.

### PGOOD and PGOOD Delay

PGOOD is an open-drain logic output. It is asserted HIGH when the output voltage level is within the PGOOD window, which is typically  $-20\%$  to  $+30\%$ . In order to operate, the PGOOD output requires a pull-up resistor to an appropriate supply voltage. This voltage is typically the supply for an external monitoring circuit. The resistor is selected so that it limits the PGOOD sink current to less than 4 mA.

PGOOD is delayed from either power-up or VIN under-voltage lockout, and has three primary factors:

- 1) A synchronization delay, set to 2 ms after the slowest controller in the system recognizes a valid level on EN, VCC and VDD. This delay is timed out internally and allows for the phase lock loops to synchronize.
- 2) Soft-Start up, in non-fault conditions.
- 3) Transition period from diode emulation mode to fully synchronous operation, set to 2 ms.

### Current Sense and Current Limit

The LM3754 senses current to enforce equal current sharing and to protect against over-current faults. There are two system options for sensing current; a current-sense resistor, or a DCR configuration which uses the DC resistance of the inductor. The current-sense resistor is more accurate but less efficient than the DCR configuration.

The input range of the differential current-sense signal (CS1(2) – CSM) is from  $-15$  mV to  $+40$  mV. The common mode range is the same as the controller's output range which is 0V to 3.6V. Two considerations determine the value of the current-sense resistor. If the resistor is too large there is an efficiency loss. If it is too small the current-sense signal to the controller will be too low. Choose a resistor that gives a full load current-sense signal of at least 25 mV. This is typically a resistor in the 1 m $\Omega$  to 2 m $\Omega$  range. The current-sense resistor is inserted between the inductor and the load. The load side of the resistor which is  $V_{\text{OUT}}$ , is connected to CSM, the negative current-sense input. This is the negative current-sense reference for both phases. The positive side of the current-sense resistor goes to CS1(2).

For the DCR configuration a series resistor-capacitor combination is substituted for the current-sense resistor. The resistor connects to the switch node (SW) and the capacitor connects to  $V_{\text{OUT}}$ . CSM is connected to  $V_{\text{OUT}}$  as with the sense resistor. CS1(2) is connected to the center point of the resistor and capacitor, so that the current-sense signal is developed across the capacitor. The voltage across the capacitor is a low pass filtered version of the voltage across the resistor-capacitor combination, in the same way the current through the inductor is a low pass filtered version of the voltage applied across the inductor and its intrinsic series resistance. Choose the DCR time constant ( $R_{\text{DCR}} \times C_{\text{DCR}}$ ) to be 1.0 to 1.5 times the inductor time constant ( $L / R_L$ ).  $R_{\text{DCR}}$  is selected so that the CS pin input bias current times  $R_{\text{DCR}}$  does not cause a significant change in the CS voltage. The inductor time constant and the DCR time constant will skew over temperature since the components have different temperature coefficients. Critical applications may employ a correction circuit based on a positive temperature coefficient thermistor (PTC).

The over-current limit is set by placing a resistor between ILIM and CSM. The value of the resistor times the ILIM current of 94  $\mu$ A sets the over-current limit.

## Current Sharing and Current Averaging

The current sharing works by adjusting the duty cycle of each phase up or down to make the phase current equal to the average current. The maximum duty cycle shift is  $\pm 20\%$ .

To determine the average current, each phase sources a current onto the IAVE bus proportional to its load current as measured by the current sense amplifier connected to the CS1(2) and CSM pins. The IAVE pins of all controllers are connected together and a resistance of 8 k $\Omega$  per phase (parallel) to SGND provides the proper voltage level for the IAVE bus. Each phase compares its current sense output to the IAVE bus and sums the resultant voltage into the common COMP signal to adjust the duty cycle for optimum current sharing.

IAVE forms the current sharing bus for the entire power converter. The IAVE pins of all controllers must be connected together. Filter capacitors with a time constant of  $R_{AV} \times C_{AV} = 1 / f_{SW}$  are connected between IAVE and SGND of each controller. The parallel combination of the filter capacitors times the summing resistors (one set per controller) forms the time constant of the current sharing bus.

## Error Amplifier and Loop Compensation

The LM3754 uses a voltage mode PWM control method. This requires a TYPE III or 3 pole, 2 zero compensation for optimum bandwidth and stability. The error amplifier is a voltage type operational amplifier with 70 dB open loop gain and unity gain bandwidth of 15 MHz. This allows for sufficient phase boost at high control loop frequencies without degrading the error amplifier performance.

The error amplifier output COMP connections are different for Master and Slave controllers. For the Master, a compensation network is placed between the COMP pin and the FB pin. The COMP pin of the Master is connected to the SNSP pin of each Slave. The SNSM pin of each Slave is connected to the bottom of the Master feedback divider at SGND. The COMP pin of each Slave is connected to its corresponding VDIF pin. This provides sufficient buffering of the master COMP signal for the internal summing of the current averaging circuit.

## Oscillator and Synchronization

A resistor and decoupling capacitor are connected between FREQ and SGND to program the switching frequency between 200 kHz to 1 MHz. These components must be supplied on each controller, even if the system is synchronized to an external clock.

The switching frequency and synchronization are controlled by the Master. The Master can switch in a free-running mode or be synchronized to an external clock. To synchronize the Master apply the external clock to the SYNC pin of the Master, otherwise ground this pin. The amplitude of the signal on the SYNC pin must be limited to be between 0V and VCC.

The value of the frequency setting resistor is determined as:

$$R_{FRQ} = \frac{1}{f_{SW}} - 142 \text{ ns} \quad (5)$$

$$R_{FRQ} = \frac{40.56 \text{ pF}}{f_{SW}}$$

A 1000 pF ceramic capacitor is used to provide sufficient decoupling. If the Master is synchronized set the resistor according the nominal applied frequency. If the signal on the SYNC pin is below 150 kHz the signal will be ignored and the device will revert to free-running mode. The SYNCOUT signal from the Master is applied to the first Slave's SYNC pin. The SYNCOUT pin of the first Slave is connected to the SYNC pin of the second Slave, and so on, in a daisy chain configuration. SYNCOUT of the last Slave (or the Master in a single controller system) is left unconnected.

The configuration of the system, namely the number of controllers and phases is programmed by the voltage on the PH pin. For each controller connect the midpoint of a resistor divider between VCC and SGND to the PH pin. The division ratios are given in the *Electrical Characteristics* table and nominal resistor values in [Table 1](#). This sets the phase shift between SYNC and the SYNCOUT pin. Where an even number of phases (N) are employed, the phase delay from SYNC to SYNCOUT is  $360^\circ/N$ . The phase difference between the two phases on the same controller is  $180^\circ$ . For systems with an odd number of the phases, the HG2 and LG2 gate drivers on the last Slave are unconnected and the phase arrangement is set according to [Table 1](#)

## Duty Cycle Limitation

The minimum controllable on-time is typically 50 ns. This limits the maximum  $V_{IN}$ ,  $V_{OUT}$  and  $f_{SW}$  combination.

$$f_{SW} < (V_{OUT} / V_{IN}) \times 20 \text{ MHz} \quad (6)$$

The maximum specified duty cycle is 81%. This limits the minimum  $V_{IN}$  to  $V_{OUT}$  ratio.

$$(V_{OUT} / V_{IN}) \times 1.25 < 0.81 \quad (7)$$

The 1.25 term allows margin for efficiency and transient response.

## Thermal Shutdown

The internal thermal shutdown circuit causes the PWM control circuitry to be reset and the NFET drivers to turn off all external power MOSFETs. The controller remains enabled and all bias circuitry remains on. After the die temperature falls below the lower hysteresis point, the controller will restart.

## NFET Synchronous Drivers

The LM3754 has two sets of gate drivers designed for driving N-channel MOSFETs in a synchronous mode. Power to the high-side driver is supplied through the BOOT pin. For the high-side gate HG to turn on the high-side FET, the BOOT voltage must be at least one  $V_{GS}$  greater than  $V_{IN}$ . This voltage is supplied from a local charge pump which consists of a Schottky diode and bootstrap capacitor, shown in Figure 18. For the Schottky, a rating of at least 250 mA and 30V is recommended. A dual package may be used to supply both BOOT1 and BOOT2 for each controller.

Both the bootstrap and the low-side FET driver are fed from VDD. The drive voltage for the top FET driver is about  $V_{DD} - 0.5V$  at light load condition and about  $V_{DD}$  at normal to full load condition.

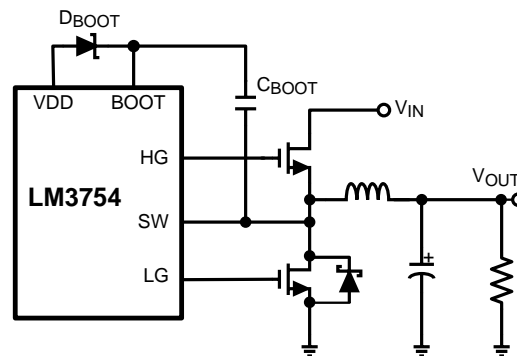


Figure 18. Bootstrap Circuit

## Remote Sense Differential Amplifier

The differential amplifier connected internally to the SNSP, SNSM and VDIF pins is a single stage unity gain Instrumentation amplifier. The differential gain is tightly controlled to within 0.4%.

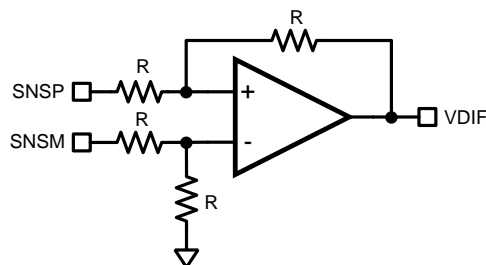


Figure 19. Differential Amplifier

On the master controller, the differential amplifier is used to provide Kelvin sensing of the output voltage at the load. This provides the most accurate sampling for load regulation.

On the slave controllers, the differential amplifier is used to sense the COMP signal of the master controller with respect to its signal ground and drive the COMP pin of that slave controller relative to its local signal ground. This allows the master controller to accurately provide the target duty cycle of the slave controllers.

The differential amplifier has a low output impedance to allow it to drive the COMP pins of the Slave controllers. This is necessary because the current sense signal is internally added to COMP to provide the duty cycle adjustment for phase-to-phase current sharing.

## APPLICATION INFORMATION

### Number of Phases

The number of phases can be calculated by dividing the maximum output load current by 25A. Therefore a 120A load requirement will need at least 5 phases, or 3 controllers. It may be better to use 6 phases which will still require 3 controllers, but will reduce the maximum current/phase to 20A. Increasing the number of phases will also reduce the output voltage ripple and the input capacitor requirements. Note that the 25A/phase is dictated by external components and not by the LM3754. After the number of phases has been chosen, the PH pin on each controller should be programmed as discussed in the [Functional Description](#) under [Phase Number Selection](#). The same number of phases must be selected for each controller.

### Powering Options

The power connections will be determined by the VIN range and the availability of an external 5V rail. This is discussed in detail in the [Functional Description](#) under [Power Connections](#). For 12V input systems, the use of an external 5V rail to power the VDD bus can improve overall system efficiency.

### Multi-Controller Systems

For systems with more than 2 phases, there will be one controller configured as the Master and from 1 to 5 controllers configured as Slave.

The Master controller uses the differential amplifier to sense the output voltage at the load point. It also provides the common COMP signal used by all controllers, provides the loop compensation and synchronizes the system clock to an external clock if one is provided.

The SYNCOUT of the Master is connected to the SYNC input of the first Slave controller.

The Slave controllers are configured by tying the FB input to the VCC pin of that controller. Each Slave uses the differential amplifier to sense the COMP signal of the Master controller and drive its own COMP input. The SYNCOUT of each Slave controller is connected to the SYNC input of the next Slave controller.

All controllers have the same parallel RC components connected from the FREQ pin to local ground corresponding to the desired system clock even if synchronizing to an external clock.

Common connections for all controllers:

- 1) IAVE (each controller will have a parallel RC filter to local ground).
- 2)  $\overline{\text{FAULT}}$
- 3) EN
- 4) SS
- 5) PGOOD

## Soft-Start

To avoid current limit during startup, the soft-start time  $t_{SS}$  should be substantially longer than the time required to charge  $C_{OUT}$  to  $V_{OUT}$  at the maximum output current. To meet this requirement:

$$t_{SS} > \frac{V_{OUT} \times C_{OUT}}{I_{LIMIT} - I_{OUT}} \quad (8)$$

Choose a soft-start capacitor according to the formula:

$$C_{SS} = t_{SS} \times \frac{10 \mu A}{0.6V}$$

where

- $C_{SS}$  is the soft-start capacitor
  - $t_{SS}$  is the soft-start time
- (9)

## External Components Selection

The following is a design example selecting components for the Typical Application Schematic of [Figure 29](#). The circuit is designed for two controller 4-phase operation with 1.2V out at 100A from an input voltage of 6V to 18V. The expected load is a microprocessor or ASIC with fast load transients, and the type of MOSFETs used are in SO-8 or its equivalent packages such as PowerPAK®, PQFN and LFPK (LFPK-i).

### Switching Frequency

The selection of switching frequency is based on the tradeoff between size, cost, and efficiency. In general, a lower frequency means larger, more expensive inductors and capacitors will be needed. A higher switching frequency generally results in a smaller but less efficient solution. For this application a frequency of 300 kHz was selected as a good compromise between the size of the inductor and MOSFETs, transient response and efficiency. Following the equation given for  $R_{FRQ}$  in the [Functional Description](#) under [Oscillator and Synchronization](#), for 300 kHz operation a 78.7 kΩ 1% resistor is used for  $R_{FRQ}$ . A 1000 pF capacitor is used for  $C_{FRQ}$ .

### Output Inductors

The first criterion for selecting an output inductor is the inductance itself. In most buck converters, this value is based on the desired peak-to-peak ripple current,  $\Delta I_L$  that flows in the inductor along with the load current. As with switching frequency, the selection of the inductor is a tradeoff between size and cost. Higher inductance means lower ripple current and hence lower output voltage ripple. Lower inductance results in smaller, less expensive devices. An inductance that gives a ripple current of 1/5 to 2/5 of the maximum output current is a good starting point. ( $\Delta I_L = (1/5 \text{ to } 2/5) \times I_{OUT}$ ). Minimum inductance is calculated from this value, using the maximum input voltage as:

$$L_{MIN} = \frac{V_{IN(MAX)} - V_{OUT}}{f_{SW} \times \Delta I_L} \times D \quad (10)$$

By calculating in terms of amperes, volts, and megahertz, the inductance value will come out in micro henries. The inductor ripple current is found from the minimum inductance equation:

$$\Delta I_L = \frac{V_{IN(MAX)} - V_{OUT}}{f_{SW} \times L_{ACTUAL}} \times D \quad (11)$$

The second criterion is inductor saturation current rating. The LM3754 has an accurately programmed peak current limit. During an output short circuit, the inductor should be chosen so as not to exceed its saturation rating at elevated temperature. For the design example, a standard value of 440 nH is chosen to fall within the  $\Delta I_L = (1/5 \text{ to } 2/5) \times I_{OUT}$  range.

The dc loss in the inductor is determined by its series resistance  $R_L$ . The dc power dissipation is found from:

$$P_{DC} = I_{OUT}^2 \times R_L \quad (12)$$

The ac loss can be estimated from the inductor manufacturer's data, if available. The ac loss is set by the peak-to-peak ripple current  $\Delta I_L$  and the switching frequency  $f_{SW}$ .

## Output Capacitors

The output capacitors filter the inductor ripple current and provide a source of charge for transient load conditions. A wide range of output capacitors may be used with the LM3754 that provides excellent performance. The best performance is typically obtained using aluminum electrolytic, tantalum, polymer, solid aluminum, organic or niobium type chemistries in parallel with ceramic capacitors. The ceramic capacitors provide extremely low impedance to reduce the output ripple voltage and noise spikes, while the aluminum or other capacitors provide a larger bulk capacitance for transient loading.

When selecting the value for the output capacitors the two performance characteristics to consider are the output voltage ripple and transient response. The output voltage ripple for a single phase can be approximated as:

$$\Delta V_O = \Delta I_L \times \sqrt{R_C^2 + \left(\frac{1}{8 \times f_{SW} \times C_O}\right)^2} \quad (13)$$

With all values normalized to a single phase,  $\Delta V_O$  (V) is the peak to peak output voltage ripple,  $\Delta I_L$  (A) is the peak to peak inductor ripple current,  $R_C$  ( $\Omega$ ) is the equivalent series resistance or ESR of the output capacitors,  $f_{SW}$  (Hz) is the switching frequency, and  $C_O$  (F) is the output capacitance. The amount of output ripple that can be tolerated is application specific. A general recommendation is to keep the output ripple less than 1% of the rated output voltage. Figure 20 shows the output voltage ripple for multi-phase operation.

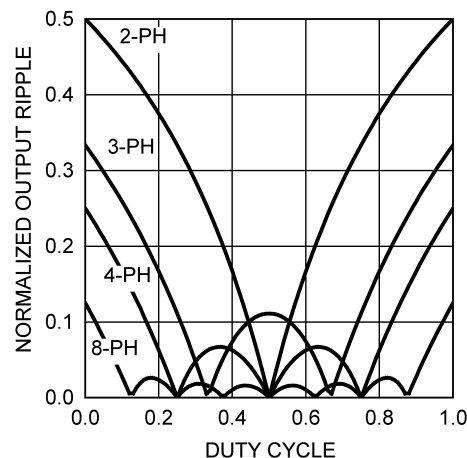


Figure 20. Multi-Phase Output Voltage Ripple

Based on the normalized single phase ripple, the worst case multi-phase output voltage ripple can be approximated as:

$$\Delta V_O(N) = \Delta V_O / N \quad (14)$$

Where N is the number of phases.

The output capacitor selection will also affect the output voltage droop and overshoot during a load transient. The peak transient of the output voltage during a load current step is dependent on many factors. Given sufficient control loop bandwidth an approximation of the transient voltage can be obtained from:

$$V_P = \frac{L \times \Delta I_O^2}{2 \times C_O \times V_L} + \frac{R_C^2 \times C_O \times V_L}{2 \times L} \quad (15)$$

With all values normalized to a single phase,  $V_P$  (V) is the output voltage transient and  $\Delta I_O$  (A) is the load current step change.  $C_O$  (F) is the output capacitance, L (H) is the value of the inductor and  $R_C$  ( $\Omega$ ) is the series resistance of the output capacitor.  $V_L$  (V) is the minimum inductor voltage, which is duty cycle dependent.

For  $D < 0.5$ ,  $V_L = V_{OUT}$

For  $D > 0.5$ ,  $V_L = V_{IN} - V_{OUT}$

This shows that as the input voltage approaches  $V_{OUT}$ , the transient droop will get worse. The recovery overshoot remains fairly constant.

The loss associated with the output capacitor series resistance can be estimated as:

$$P_{CO} = R_C \times \frac{\Delta I_L^2}{\sqrt{12}} \quad (16)$$

### Output Capacitor Design Procedure

For the design example  $V_{IN} = 12V$ ,  $V_{OUT} = 1.2V$ ,  $D = V_{OUT} / V_{IN} = 0.1$ ,  $L = 440 \text{ nH}$ ,  $\Delta I_L = 9A$ ,  $\Delta I_O = 20A$  and  $V_P = 0.12V$ .

To meet the transient voltage specification, the maximum  $R_C$  is:

$$R_C \leq \frac{V_P}{\Delta I_O} \quad (17)$$

For the design example, the maximum  $R_C$  is 6 m $\Omega$ . Choose  $R_C = 3 \text{ m}\Omega$  as the design limit.

From the equation for  $V_P$ , the minimum value of  $C_O$  is:

$$C_O \geq \frac{L \times \Delta I_O^2}{V_P \times V_L} \times \frac{1}{1 + \sqrt{1 - \left(\frac{R_C \times \Delta I_O}{V_P}\right)^2}} \quad (18)$$

For  $D < 0.5$ ,  $V_L = V_{OUT}$

For  $D > 0.5$ ,  $V_L = V_{IN} - V_{OUT}$

With  $R_C = V_P / \Delta I_O$  this reduces to:

$$C_O \geq \frac{L \times \Delta I_O^2}{V_P \times V_L} \quad (19)$$

With  $R_C = 0$  this reduces to:

$$C_O \geq \frac{L \times \Delta I_O^2}{2 \times V_P \times V_L} \quad (20)$$

Since  $D < 0.5$ ,  $V_L = V_{OUT}$ . With  $R_C = 3 \text{ m}\Omega$ , the minimum value for  $C_O$  is 476  $\mu\text{F}$ .

The minimum control loop bandwidth  $f_C$  is given by:

$$f_C \geq \frac{\Delta I_O}{8 \times C_O \times V_P} \quad (21)$$

For the design example, the minimum value for  $f_C$  is 44 kHz. Two 220  $\mu\text{F}$ , 5 m $\Omega$  polymer capacitors in parallel with two 22  $\mu\text{F}$ , 3 m $\Omega$  ceramics per phase will meet the target output voltage ripple and transient specification.

### Input Capacitors

The input capacitors for a buck regulator are used to smooth the large current pulses drawn by the inductor and load when the high-side MOSFET is on. Due to this large ac stress, input capacitors are usually selected on the basis of their ac rms current rating rather than bulk capacitance. Low ESR is beneficial because it reduces the power dissipation in the capacitors. Although any of the capacitor types mentioned in the [Output Capacitors](#) section can be used, ceramic capacitors are common because of their low series resistance. In general the input to a buck converter does not require as much bulk capacitance as the output.

The input capacitors should be selected for rms current rating and minimum ripple voltage. The equation for the rms current and power loss of the input capacitor in a single phase can be estimated as:

$$I_{CIN(RMS)} \approx I_O \times \sqrt{D \times (1 - D)}$$

$$P_{CIN} \approx I_O^2 \times D \times (1 - D) \times R_{CIN}$$



where

- $I_O$  (A) is the output load current
- $R_{CIN}$  ( $\Omega$ ) is the series resistance of the input capacitor

Since the maximum values occur at  $D = 0.5$ , a good estimate of the input capacitor rms current rating in a single phase is one-half of the maximum output current.

Neglecting the series inductance of the input capacitance, the input voltage ripple for a single phase can be estimated as:

$$\Delta V_{IN} = \frac{I_O \times D \times (1 - D)}{C_{IN} \times f_{SW}} + \left( I_O + \frac{\Delta I_L}{2} \right) \times R_{CIN} \quad (23)$$

By defining the maximum input voltage ripple, the minimum requirement for the input capacitance can be calculated as:

$$C_{IN} \geq \frac{I_O \times D \times (1 - D)}{\left( \Delta V_{IN} - \left( I_O + \frac{\Delta I_L}{2} \right) \times R_{CIN} \right) \times f_{SW}} \quad (24)$$

For multi-phase operation, the general equation for the input capacitor rms current is approximated as:

$$I_{CIN(RMS)} \approx I_O \times \sqrt{D \times \left( \frac{1}{N} - D \right)} \quad (25)$$

This is valid for  $D < 1 / N$  and repeats for a total of  $N$  times.  $I_O$  represents the total output current and  $N$  is the number of phases. Figure 21 shows the input capacitor rms current as a function of the output current, duty cycle and number of phases.

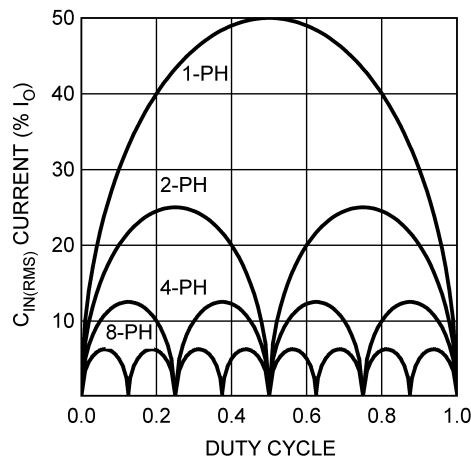


Figure 21. Input Capacitor RMS Current as a Function of Output Current

For multi-phase operation the maximum rms current can be approximated as:

$$I_{CIN(RMS)MAX} \approx 0.5 \times I_O / N \quad (26)$$

In most applications for point-of-load power supplies, the input voltage is the output of another switching converter. This output often has a lot of bulk capacitance, which may provide adequate damping.

When the converter is connected to a remote input power source through a wiring harness, a resonant circuit is formed by the line impedance and the input capacitors. If step input voltage transients are expected near the maximum rating of the LM3754, a careful evaluation of the ringing and possible overshoot at the device VIN pin should be completed. To minimize overshoot make  $C_{IN} > 10 \times L_{IN}$ . The characteristic source impedance and resonant frequency are:

$$Z_S = \sqrt{\frac{L_{IN}}{C_{IN}}} \quad f_S = \frac{1}{2 \times \pi \times \sqrt{L_{IN} \times C_{IN}}} \quad (27)$$

The converter exhibits a negative input impedance which is lowest at the minimum input voltage:

$$Z_{IN} = -\frac{V_{IN}^2}{P_{OUT}} \quad (28)$$

The damping factor for the input filter is given by:

$$\delta = \frac{1}{2} \times \left( \frac{R_{LIN} + R_{CIN}}{Z_S} + \frac{Z_S}{Z_{IN}} \right)$$

where

- $R_{LIN}$  is the input wiring resistance
  - $R_{CIN}$  is the series resistance of the input capacitors
- (29)

The term  $Z_S / Z_{IN}$  will always be negative due to  $Z_{IN}$ .

When  $\delta = 1$ , the input filter is critically damped. This may be difficult to achieve with practical component values. With  $\delta < 0.2$ , the input filter will exhibit significant ringing. If  $\delta$  is zero or negative, there is not enough resistance in the circuit and the input filter will sustain an oscillation.

When operating near the minimum input voltage, an aluminum electrolytic capacitor across  $C_{IN}$  may be needed to damp the input for a typical bench test setup. Any parallel capacitor should be evaluated for its rms current rating. The current will split between the ceramic and aluminum capacitors based on the relative impedance at the switching frequency. Using a square wave approximation, the rms current in each capacitor is found from:

$$C1 = C_{IN1} \quad R1 = R_{CIN1} \quad C2 = C_{IN2} \quad R2 = R_{CIN2}$$

$$X_1 \approx \frac{1}{2.2 \times \pi \times f_{SW} \times C1}$$

$$X_2 \approx \frac{1}{2.2 \times \pi \times f_{SW} \times C2}$$

$$I_{CIN1(RMS)} = \frac{I_{CIN(RMS)} \times \sqrt{R2^2 + X2^2}}{\sqrt{(R1 + R2)^2 + (X1 + X2)^2}}$$

$$I_{CIN2(RMS)} = \frac{I_{CIN(RMS)} \times \sqrt{R1^2 + X1^2}}{\sqrt{(R1 + R2)^2 + (X1 + X2)^2}} \quad (30)$$

### Input Capacitor Design Procedure

Ceramic capacitors are sized to support the required rms current. An aluminum electrolytic capacitor is used for damping. Find the minimum value for the ceramic capacitors from:

$$C_{IN} \geq \frac{I_O}{\Delta V_{IN} \times 4 \times N \times f_{SW}} \quad (31)$$

Allowing  $\Delta V_{IN} = 0.6V$  for the design example, the minimum value is  $C_{IN} = 34.7 \mu F$ . Find the rms current rating from:

$$I_{CIN(RMS)MAX} \approx 0.5 \times I_O / N \quad (32)$$

Using the same criteria, the result is 12.5A rms. Manufacturer data for 4.7 μF, 25V, X7R capacitors in a 1210 package allows for 4A rms with a 20°C temperature rise. For the design example, using two ceramic capacitors for each phase will meet both the input voltage ripple and rms current target. Since the series resistance is so low at about 4 mΩ per capacitor, a parallel aluminum electrolytic is used for damping. A good general rule is to make the damping capacitor at least five times the value of the ceramic. By sizing the aluminum such that it is primarily resistive at the switching frequency, the design is greatly simplified since the ceramic capacitors are primarily reactive. In this case the approximation for the rms current in the damping capacitor is:

$$I_{CIN2(RMS)} \approx \frac{I_{CIN(RMS)}}{2.2 \times \pi \times N \times f_{SW} \times R_{CIN2} \times C_{IN1}}$$

where

- $C_{IN2}$  is the damping capacitance
  - $R_{CIN2}$  is its series resistance
  - $C_{IN1}$  is the ceramic capacitance
- (33)

A 470 μF, 25V, 0.06Ω, 1.19A rms aluminum electrolytic capacitor in a 10 mm x 10.2 mm package is chosen for the damping capacitor. Calculated rms current for the aluminum electrolytic is 0.67A.

## MOSFETs

Selection of the power MOSFETs is governed by a tradeoff between cost, size and efficiency.

Losses in the high-side FET can be broken down into conduction loss, gate charge loss and switching loss. Conduction or  $I^2R$  loss is approximately:

$$P_{COND\_HI} = D \times (I_{OUT}^2 \times R_{DS(on)\_HI} \times 1.3) \text{ (High-side FET)} \quad (34)$$

$$P_{COND\_LO} = (1 - D) \times (I_{OUT}^2 \times R_{DS(on)\_LO} \times 1.3) \text{ (Low-side FET)} \quad (35)$$

In the above equations the factor 1.3 accounts for the increase in MOSFET  $R_{DS(on)}$  due to self heating. Alternatively, the 1.3 can be ignored and the  $R_{DS(on)}$  of the MOSFET estimated using the  $R_{DS(on)}$  vs. Temperature curves in the MOSFET datasheets.

The gate charge loss results from the current driving the gate capacitance of the power MOSFETs, and is approximated as:

$$P_{DR} = V_{IN} \times (Q_{G\_HI} + Q_{G\_LO}) \times f_{SW}$$

where

- $Q_{G\_HI}$  and  $Q_{G\_LO}$  are the total gate charge of the high-side and low-side FETs respectively at the typical 5V driver voltage
- (36)

Gate charge loss differs from conduction and switching losses in that the majority of dissipation occurs in the LM3754 and VDD regulator.

The switching loss occurs during the brief transition period as the FET turns on and off, during which both current and voltage is present in the channel of the FET. This can be approximated as:

$$P_{SW\_ON} = V_{IN} \times I_{L\_VL} \times \alpha \times R_{G\_ON} \times f_{SW} \times \left( \frac{Q_{GD}}{V_{DR} - V_{PLT2}} + C_{ISS} \times \ln \left( \frac{V_{DR} - V_{TH}}{V_{DR} - V_{PLT1}} \right) \right) \quad (37)$$

$$P_{SW\_OFF} = V_{IN} \times I_{L\_PK} \times \beta \times R_{G\_OFF} \times f_{SW}$$

$$\times \left( \frac{Q_{GD}}{V_{PLT2}} + C_{ISS} \times \ln \left( \frac{V_{PLT2}}{V_{TH}} \right) \right)$$

where

- $Q_{GD}$  is the high-side FET Miller charge with a  $V_{DS}$  swing between 0 to  $V_{IN}$
  - $C_{ISS}$  is the input capacitance of the high-side MOSFET in its off state with  $V_{DS} = V_{IN}$
  - $\alpha$  and  $\beta$  are fitting coefficient numbers, which are usually between 0.5 to 1, depending on the board level parasitic inductances and reverse recovery of the low-side power MOSFET body diode
- (38)

Under ideal condition, setting  $\alpha = \beta = 0.5$  is a good starting point. Other variables are defined as:

$$I_{L\_VL} = I_{OUT} - 0.5 \times \Delta I_L \quad (39)$$

$$I_{L\_PK} = I_{OUT} + 0.5 \times \Delta I_L \quad (40)$$

$$V_{PLT1} \approx V_{TH} + \frac{I_{L\_VL}}{g_{mFET\_HI}} \quad (41)$$

$$V_{PLT2} \approx V_{TH} + \frac{I_{L\_PK}}{g_{mFET\_HI}} \quad (42)$$

$$R_{G\_ON} = 5 + R_{G\_INT} + R_{G\_EXT} \quad (43)$$

$$R_{G\_OFF} = 2 + R_{G\_INT} + R_{G\_EXT} \quad (44)$$

Switching loss is calculated for the high-side FET only. 5 and 2 represent the LM3754 high-side driver resistance in the transient region.  $R_{G\_INT}$  is the gate resistance of the high-side FET, and  $R_{G\_EXT}$  is the extra external gate resistance if applicable.  $R_{G\_EXT}$  may be used to damp out excessive parasitic ringing at the switch node.

For this example, the maximum drain-to-source voltage applied to either MOSFET is 18V. The maximum drive voltage at the gate of the high-side MOSFET is 5V, and the maximum drive voltage for the low-side MOSFET is 5V. The selected MOSFET must be able to withstand 18V plus any ringing from drain to source, and be able to handle at least 5V plus ringing from gate to source. If the duty cycle of the converter is small, then the high-side MOSFET should be selected with a low gate charge in order to minimize switching loss whereas the bottom MOSFET should have a low  $R_{DS(on)}$  to minimize conduction loss.

For a typical input voltage of 12V and output current of 25A per phase, the MOSFET selections for the design example are SIR850DP for the high-side MOSFET and 2 x SIR892DP for the low-side MOSFET.

A 2.2Ω resistor for the high-side gate drive may be added in series with the HG output. This helps to control the MOSFET turn-on and ringing at the switch node. Additionally, 0.5A Schottky diodes may be placed across the high-side MOSFETs. The external Schottky diodes have a much faster recovery characteristic than the MOSFET body diode, and help to minimize switching spikes by clamping the SW pin to VIN. Another technique to control ringing at the switch node is to place an RC snubber from SW to PGND directly across the low-side MOSFET. Typical values at 300 kHz are 1Ω and 680 pF.

To improve efficiency, 3A Schottky diodes may be placed across the low-side MOSFETs. The external Schottky diodes have a much lower forward voltage than the MOSFET body diode, and help to minimize the loss due to the body diode recovery characteristic.

## EN and VIN UVLO

For operation at 6V minimum input, set the EN divider to enable the LM3754 at approximately 5.5V nominal. Values of  $R_{UV1} = 1.37 \text{ k}\Omega$  and  $R_{UV2} = 4.02 \text{ k}\Omega$  will meet the target threshold.

## Current Sense

For resistor current sense, a 1 mΩ 1W resistor is used for a full scale voltage of 25 mV at 25A out.

For DCR sensing,  $R_S$  is equal to the inductor resistance of  $R_L = 0.32 \text{ m}\Omega$  plus an estimated trace resistance of 0.2 mΩ. The full scale voltage is about 13 mV at 25A. For equal time constants, the relationship of the integrating RC is determined by:

$$R_{DCR} \times C_{DCR} = \frac{L}{R_L} \quad (45)$$

Choosing  $C_{DCR} = 0.15 \text{ }\mu\text{F}$ :

$$R_{DCR} = 440 \text{ nH} / (0.15 \text{ }\mu\text{F} \times 0.52 \text{ m}\Omega) = 5.64 \text{ k}\Omega. \quad (46)$$

Using a standard value of 5.90 kΩ, the average current through  $R_{DCR}$  is calculated as 203 μA from:

$$I_{DCR} = V_{OUT} / R_{DCR} \quad (47)$$

$I_{DCR}$  is sufficiently high enough to keep the CS input bias current from being a significant error term.

## Current Limit

For the design example, the desired current limit set point is chosen as 34.5A peak per phase, which is about 25% above the full load peak value. Using DCR sense with  $R_S = 0.52 \text{ m}\Omega$ :

$$R_{ILIM} = 34.5\text{A} \times 0.52 \text{ m}\Omega / 94 \mu\text{A} = 191\Omega \quad (48)$$

For resistor sense, the relatively low output inductor value forms a voltage divider with the intrinsic inductance of the sense resistor. When the MOSFETs switch, this adds a step to the otherwise triangular current sense voltage. The step voltage is simply the input voltage times the inductive divider. With  $L = 440 \text{ nH}$  and  $L_S = 1 \text{ nH}$ , the step voltage is:

$$V_{LS} = 12\text{V} \times 1 \text{ nH} / 441 \text{ nH} = 27.2 \text{ mV} \quad (49)$$

Using the same method as DCR sense, an RC filter is added to recover the actual resistive sense voltage. Choosing  $C = 1 \text{ nF}$  the resistor is calculated as:

$$R = 1 \text{ nH} / (1 \text{ nF} \times 1 \text{ m}\Omega) = 1 \text{ k}\Omega \quad (50)$$

The current limit resistor is then calculated as:

$$R_{ILIM} = 34.5\text{A} \times 1 \text{ m}\Omega / 94 \mu\text{A} = 367\Omega \quad (51)$$

The closest standard value of  $365\Omega$  1% is selected for the design example.

## Soft-Start

To prevent over-shoot, the soft-start time is set to be longer than the time it would take to charge the output voltage at the maximum output current. Following the equations in the [Application Information](#) under [Soft-Start](#):

$$t_{SS(MIN)} = (1.2\text{V} \times 484 \mu\text{F}) / (34.5\text{A} - 25\text{A}) = 61 \mu\text{s} \quad (52)$$

Choosing a value of  $C_{SS} = 0.1 \mu\text{F}$ , the soft-start time is:

$$t_{SS} = (0.1 \mu\text{F} \times 0.6\text{V}) / 10 \mu\text{A} = 6 \text{ ms} \quad (53)$$

## VCC, VDD and BOOT

VCC is used as the supply for the internal control and logic circuitry. A  $4.7 \mu\text{F}$  ceramic capacitor provides sufficient filtering for VCC.

$C_{VDD}$  provides power for both the high-side and low-side MOSFET gate drives, and is sized to meet the total gate drive current. Allowing for  $\Delta V_{VDD} = 100 \text{ mV}$  of ripple, the minimum value for  $C_{VDD}$  is found from:

$$C_{VDD} \geq \frac{Q_{G\_HI} + Q_{G\_LO}}{\Delta V_{VDD}} \quad (54)$$

Using  $Q_{G\_HI} = 2 \times 10 \text{ nC}$  and  $Q_{G\_LO} = 4 \times 21 \text{ nC}$  per controller with a 5V gate drive, the minimum value for  $C_{VDD} = 1.04 \mu\text{F}$ . To use common component values,  $C_{VDD1}$  and  $C_{VDD2}$  are also selected as  $4.7 \mu\text{F}$  ceramic.

A general purpose NPN transistor is sized to meet the requirements for the VDD supply. Based on the gate charge of  $104 \text{ nC}$  per controller, the required current is found from:

$$I_{GC} = Q_{G\_TOTAL} \times f_{SW} \quad (55)$$

At  $300 \text{ kHz}$ ,  $I_{GC} = 31.2 \text{ mA}$  per controller. For a two controller system, the minimum HFE for the transistor is determined by:

$$HFE_{MIN} = I_{GC\_TOTAL} / 5 \text{ mA} \quad (56)$$

The power dissipated by the transistor is:

$$P_R = (V_{IN} - V_{DD}) \times I_{GC\_TOTAL} \quad (57)$$

The transistor must support  $62.4 \text{ mA}$  with an HFE of at least 12.5 over the entire operating range. At 18V in the power dissipated is  $0.8\text{W}$ . A CJD44H11 in a DPAK case is chosen for the design example. A  $0.047 \mu\text{F}$  capacitor from base to PGND will improve the transient performance of the VDD supply.

$C_{BOOT}$  provides power for the high-side gate drive, and is sized to meet the required gate drive current. Allowing for  $\Delta V_{BOOT} = 100 \text{ mV}$  of ripple, the minimum value for  $C_{BOOT}$  is found from:

$$C_{BOOT} \geq \frac{Q_{G\_HI}}{\Delta V_{BOOT}} \quad (58)$$



The simplified power stage transfer function (also called the control-to-output transfer function) for the LM3754 can be written as:

$$\frac{\hat{V}_O}{\hat{V}_C} = A_{VP} \times \frac{1 + \frac{s}{\omega_Z}}{1 + \frac{s}{\omega_P \times Q_P} + \frac{s^2}{\omega_P^2}}$$

where

$$A_{VP} = \frac{K_m}{K_D} \quad K_m = \frac{1}{(0.5 - D) \times R_i \times \frac{T}{L} + K_{FF}}$$

$$K_D = 1 + \frac{K_m \times R_i \times H_a(s)}{R_O} \quad \omega_Z = \frac{1}{C_O \times R_C} \quad \omega_P^2 = \frac{K_D}{L \times C_O}$$

$$\omega_P \times Q_P = \frac{K_D}{\frac{L}{R_O} + C_O \times (R_C + K_m \times R_i \times H_a(s))}$$

(60)

With:

$$D = \frac{V_O}{V_{IN}} \quad R_i = A \times R_S$$

$$T = \frac{1}{f_{SW}} \quad H_a(s) = \frac{s \times C_{AV} \times R_{AV}}{1 + s \times C_{AV} \times R_{AV}}$$

(61)

$K_m$  is the dc modulator gain and  $R_i$  is the current-sharing gain.  $K_{FF}$  is the input voltage feed-forward term, which is internally set to a value of 0.232 V/V. The IAVE filter is accounted for by  $H_a(s)$ , which provides additional damping of the modulator transfer function.

$R_{AV}$  sets the gain of the current averaging amplifier. A fixed value of 8 kΩ/phase must be used for proper scaling. Since the effective resistance is in parallel, each LM3754 should have a 4.02 kΩ 1% resistor at IAVE for 2-phase/controller operation.  $C_{AV}$  sets the IAVE filter time constant of the current sharing amplifier. For optimal performance of the current sharing circuit, the IAVE filter is designed to settle to its final value in five switching cycles. The optimal IAVE time constant is defined as:

$$T = C_{AV} \times R_{AV} \quad (62)$$

A value of  $C_{AV} = 1/(R_{AV} \times f_{SW})$  per phase must be used for the optimal time constant. Each LM3754 should have a value of two times the normalized single phase value of  $C_{AV}$  at IAVE for 2-phase/controller operation. In this manner, the IAVE time constant maintains a fixed value of T for any number of phases.

Typical frequency response of the gain and the phase for the power stage are shown in [Figure 23](#) and [Figure 24](#). It is designed for  $V_{IN} = 12V$ ,  $V_{OUT} = 1.2V$ ,  $I_{OUT} = 25A$  per phase and a switching frequency of 300 kHz. For 2-phase operation  $R_{AV} = 4.02$  kΩ and  $C_{AV} = 1000$  pF. The power stage component values per phase are:

$L = 0.44$  μH,  $R_L = 0.52$  mΩ,  $C_{O1} = 440$  μF,  $R_{C1} = 2.5$  mΩ,  $C_{O2} = 44$  μF,  $R_{C2} = 1.5$  mΩ,  $R_S = R_L = 0.52$  mΩ and  $R_O = V_{OUT} / I_{OUT} = 48$  mΩ.

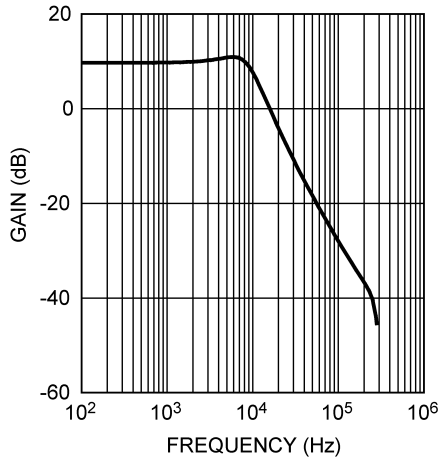


Figure 23. Power Stage Gain

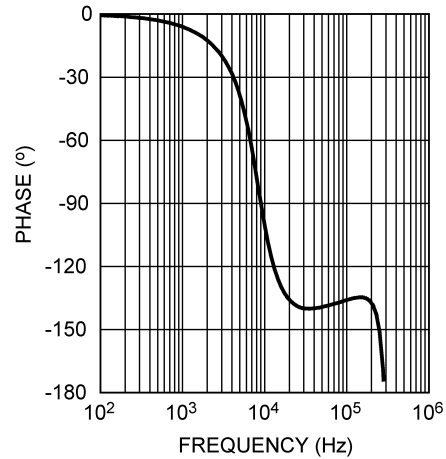


Figure 24. Power Stage Phase

Assuming a pole at the origin, the simplified equation for the error amplifier transfer function can be written in terms of the mid-band gain as:

$$\frac{\hat{V}_C}{\hat{V}_O} = -\frac{A_{VM}}{K_{HF}} \times \frac{1 + \frac{\omega_{ZEA}}{s}}{1 + \frac{s}{\omega_{FP}}} \times \frac{1 + \frac{s}{\omega_{FZ}}}{1 + \frac{s}{\omega_{HF}}}$$

where

$$\begin{aligned} A_{VM} &= \frac{R_{COMP}}{R_{FBT}} & K_{HF} &= 1 + \frac{C_{HF}}{C_{COMP}} \\ \omega_{ZEA} &= \frac{1}{C_{COMP} \times R_{COMP}} & \omega_{FZ} &= \frac{1}{C_{FF} \times (R_{FF} + R_{FBT})} \\ \omega_{FP} &= \frac{1}{C_{FF} \times R_{FF}} & \omega_{HF} &= \frac{C_{HF} + C_{COMP}}{C_{HF} \times C_{COMP} \times R_{COMP}} \end{aligned} \quad (63)$$

In general, the goal of the compensation circuit is to give high gain, a bandwidth that is between one-fifth and one-tenth of the switching frequency, and at least 45° of phase margin.

### Control Loop Design Procedure

Once the power stage design is complete, the power stage components are used to determine the proper frequency compensation. Knowing the dc modulator gain and assuming an ideal single-pole system response, the mid-band error amplifier gain is set by the target crossover frequency. Based on the ideal amplifier transfer function, the zero-pair is set to cancel the complex conjugate pole of the output filter. One pole is set to cancel the ESR of the output capacitor. The second pole is set equal to the switching frequency. A correction factor is used to accommodate the modulator damping when the output filter pole is within a decade of the target crossover frequency.

The compensation components will scale from the feedback divider ratio and selection of the bottom feedback divider resistor. A maximum value for the divider current is typically set at 1 mA. Using a divider current of 200  $\mu$ A will allow for a reasonable range of values. For the bottom feedback resistor  $R_{FBB} = V_{REF} / 200 \mu\text{A} = 3 \text{ k}\Omega$ . Choosing a standard 1% value of 3.01 k $\Omega$ , the top feedback resistor is found from:

$$R_{FBT} = R_{FBB} \times \left( \frac{V_{OUT}}{V_{REF}} - 1 \right) \quad (64)$$

For  $V_{OUT} = 1.2\text{V}$  and  $V_{REF} = 0.6\text{V}$ ,  $R_{FBT} = 3.01 \text{ k}\Omega$ .



Based on the previously defined power stage values, calculate general terms:

$$D = \frac{V_O}{V_{IN}} \quad R_i = A \times R_S \quad T = \frac{1}{f_{SW}}$$

$$K_m = \frac{1}{(0.5 - D) \times R_i \times \frac{T}{L} + K_{FF}} \quad (65)$$

For the design example  $D = 0.1$ ,  $R_i = 0.026\Omega$ ,  $T = 3.33 \mu\text{s}$  and  $K_m = 3.22$ .

Calculate the output filter pole frequency and the ESR zero frequency from:

$$\omega_P = \frac{1}{\sqrt{L \times C_O}} \quad \omega_Z = \frac{1}{C_O \times R_C} \quad (66)$$

For the output filter pole using  $C_O = C_{O1} + C_{O2}$ ,  $\omega_P = 68.5 \text{ krad/sec}$ . Since  $C_{O1} \gg C_{O2}$ , the ESR zero is calculated using  $C_{O1}$  and  $R_{C1}$  as  $\omega_Z = 909 \text{ krad/sec}$ .

Choose a target crossover frequency  $f_C$  greater than the minimum control loop bandwidth from the [Output Capacitors](#) section. The optimum value of the crossover frequency is usually between 5 and 10 times the filter pole frequency. With  $f_P = \omega_P / (2 \times \pi) = 10.9 \text{ kHz}$ , this places  $f_C$  between 54.5 kHz and 109 kHz. The upper limit for  $f_C$  is typically set at 1/5 of the switching frequency.

$$\omega_C = 2 \times \pi \times f_C \quad \omega_{SW} = 2 \times \pi \times f_{SW} \quad (67)$$

Choosing  $f_C = 60 \text{ kHz}$  for the design example  $\omega_C = 377 \text{ krad/sec}$ . The switching frequency is  $\omega_{SW} = 1.88 \text{ Mrad/sec}$ .

For output capacitors with very low ESR, if the target crossover frequency is more than 10 times the filter pole frequency, bandwidth limiting of the error amplifier may occur. See the [Comprehensive Equations](#) section to incorporate the error amplifier bandwidth into the design procedure.

For reference, the parallel equivalent  $C_O$  and  $R_C$  at any frequency can be calculated from:

$$C1 = C_{O1} \quad R1 = R_{C1} \quad C2 = C_{O2} \quad R2 = R_{C2}$$

$$\omega = 2 \times \pi \times f \quad X1 = \frac{1}{\omega \times C1} \quad X2 = \frac{1}{\omega \times C2}$$

$$Z = \frac{\sqrt{R1^2 + X1^2} \times \sqrt{R2^2 + X2^2}}{\sqrt{(R1 + R2)^2 + (X1 + X2)^2}}$$

$$A = \tan^{-1}\left(\frac{X1}{R1}\right) + \tan^{-1}\left(\frac{X2}{R2}\right) - \tan^{-1}\left(\frac{X1 + X2}{R1 + R2}\right)$$

$$C_O = \frac{1}{\omega \times Z \times \sin(A)} \quad R_C = Z \times \cos(A) \quad (68)$$

At the target crossover frequency  $X1 = 0.00603$ ,  $X2 = 0.0603$ ,  $Z = 0.00592$  and  $A = 1.213$ . The parallel equivalent  $C_O = 478 \mu\text{F}$  and  $R_C = 2.1 \text{ m}\Omega$ .

Calculate the error amplifier gain coefficient and the compensation component values. The  $(1 - \omega_P/\omega_C)$  term is the correction factor for the modulator damping.

$$G_C = \frac{\omega_C}{K_m \times \omega_P} \quad C_{HF} = \frac{1}{\omega_{SW} \times G_C \times R_{FBT}}$$

$$C_{COMP} = C_{HF} \times \left( \frac{\omega_{SW}}{\omega_P} - 1 \right) \times \left( 1 - \frac{\omega_P}{\omega_C} \right)$$

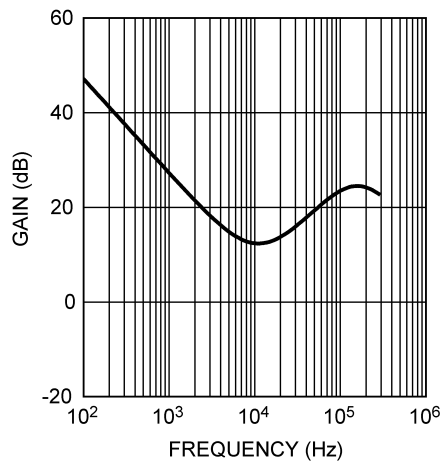
$$R_{COMP} = \frac{1}{\omega_P \times C_{COMP}}$$

$$R_{FF} = R_{FBT} \times \frac{\omega_P}{\omega_Z - \omega_P} \quad C_{FF} = \frac{1}{\omega_Z \times R_{FF}}$$

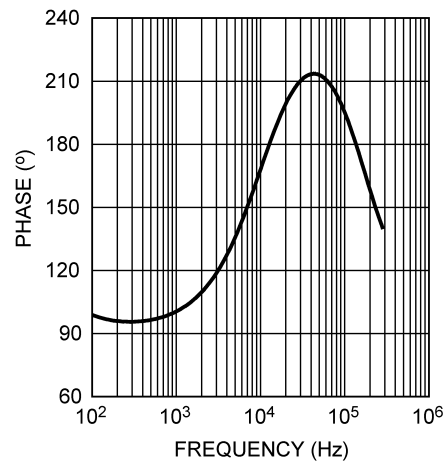
(69)

For the design example, the calculated values are  $G_C = 1.71$ ,  $C_{HF} = 103 \text{ pF}$ ,  $C_{COMP} = 2236 \text{ pF}$ ,  $R_{COMP} = 6527\Omega$ ,  $R_{FF} = 245$  and  $C_{FF} = 4483 \text{ pF}$ .

Using standard values of  $C_{HF} = 100 \text{ pF}$ ,  $C_{COMP} = 2200 \text{ pF}$ ,  $R_{COMP} = 6.2 \text{ k}\Omega$ ,  $R_{FF} = 240\Omega$  and  $C_{FF} = 4700 \text{ pF}$ , the error amplifier plots of gain and phase are shown in [Figure 25](#) and [Figure 26](#).



**Figure 25. Error Amplifier Gain**



**Figure 26. Error Amplifier Phase**

The complete control loop transfer function is equal to the product of the power stage transfer function and error amplifier transfer function. For the Bode plots, the overall loop gain is the equal to the sum in dB and the overall phase is equal to the sum in degrees. Results are shown in [Figure 27](#) and [Figure 28](#). The crossover frequency is 57 kHz with a phase margin of 73°.

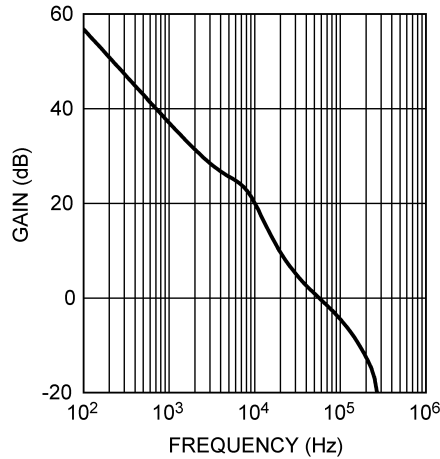


Figure 27. Control Loop Gain

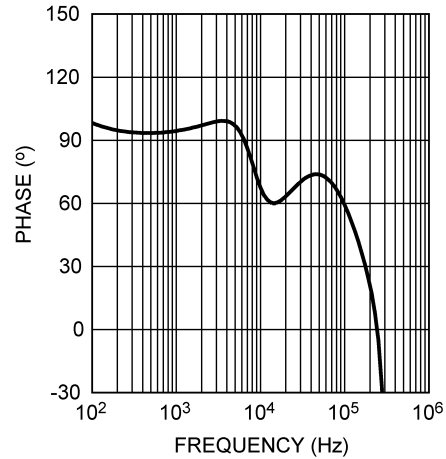


Figure 28. Control Loop Phase

For the small-signal analysis, it is assumed that the control voltage at the COMP pin is dc. In practice, the output ripple voltage is amplified by the error amplifier gain at the switching frequency, which appears at the COMP pin adding to the control ramp. This tends to reduce the modulator gain, which may lower the actual control loop crossover frequency. This effect is greatly reduced as the number of phases is increased.

### Efficiency and Thermal Considerations

The buck regulator steps down the input voltage and has a duty ratio D of:

$$D = \frac{V_{OUT}}{V_{IN}} \times \frac{1}{\eta} \quad (70)$$

Where  $\eta$  is the estimated converter efficiency. The efficiency is defined as:

$$\eta = \frac{P_{OUT}}{P_{OUT} + P_{TOTAL\_LOSS}} \quad (71)$$

The total power dissipated in the power components can be obtained by adding together the loss as mentioned in the [Output Inductors](#), [Output Capacitors](#), [Input Capacitors](#) and [MOSFETs](#) sections.

The highest power dissipating components are the power MOSFETs. The easiest way to determine the power dissipated in the MOSFETs is to measure the total conversion loss ( $P_{IN} - P_{OUT}$ ), then subtract the power loss in the capacitors, inductors, LM3754 and VDD regulator. The resulting power loss is primarily in the switching MOSFETs. Selecting MOSFETs with exposed pads will aid the power dissipation of these devices. Careful attention to  $R_{DS(on)}$  at high temperature should be observed.

If a snubber is used, the power loss can be estimated with an oscilloscope by observation of the resistor voltage drop at both the turn-on and turn-off transitions. Assuming that the RC time constant is  $\ll 1 / f_{SW}$ :

$$P = \frac{1}{2} \times C \times (V_P^2 + V_N^2) \times f_{SW} \quad (72)$$

$V_P$  and  $V_N$  represent the positive and negative peak voltage across the snubber resistor, which is ideally equal to  $V_{IN}$ .

## LM3754 and VDD Regulator Operating Loss

These terms accounts for the currents drawn at the VIN and VDD pins, used for driving the logic circuitry and the power MOSFETs. For the LM3754, the VIN current is equal to the steady state operating current  $I_{VIN}$ . The VDD current is primarily determined by the MOSFET gate charge current  $I_{GC}$ , which is defined as:

$$I_{GC} = Q_{G\_TOTAL} \times f_{SW} \quad (73)$$

$$P_D = (V_{IN} \times I_{VIN}) + (V_{DD} \times I_{GC}) \quad (74)$$

$Q_{G\_TOTAL}$  is the total gate charge of the MOSFETs connected to each LM3754.  $P_D$  represents the total power dissipated in each LM3754.  $I_{VIN}$  is about 15 mA from the *Electrical Characteristics* table. The LM3754 has an exposed thermal pad to aid power dissipation.

The power dissipated in the VDD regulator is determined by:

$$P_R = (V_{IN} - V_{DD}) \times I_{GC\_TOTAL} \quad (75)$$

$I_{GC\_TOTAL}$  is the sum of the MOSFET gate charge currents for all of the controllers.

## Layout Considerations

To produce an optimal power solution with a switching converter, as much care must be taken with the layout and design of the printed circuit board as with the component selection. The following are several guidelines to aid in creating a good layout.

### Kelvin Traces for Gate Drive and Sense Lines

The HG and SW pins provide the gate drive and return for the high-side MOSFETs. These lines should run as parallel pairs to each MOSFET, being connected as close as possible to the respective MOSFET gate and source. Likewise the LG and PGND pins provide the gate drive and return for the low-side MOSFETs. A good ground plane between the PGND pin and the low-side MOSFETs source connections is needed to carry the return current for the low-side gates.

The SNSP and SNSM pins of the Master should be connected as a parallel pair, running from the output power and ground sense points. Keep these lines away from the switch node and output inductor to avoid stray coupling. If possible, the SNSP and SNSM traces should be shielded from the switch node by ground planes.

### SGND and PGND Connections

Good layout techniques include a dedicated ground plane, usually on an internal layer adjacent to the LM3754 and signal component side of the board. Signal level components connected to FB, SS, FREQ, IAVE, EN and PH along with the VCC and VIN bypass capacitors should be tied directly to the SGND pin. Connect the SGND and PGND pins directly to the DAP, with vias from the DAP to the ground plane. The ground plane is then connected to the input capacitors and low-side MOSFET source at each phase.

### Minimize the Switch Node

The copper area that connects the power MOSFETs and output inductor together radiates more EMI as it gets larger. Use just enough copper to give low impedance for the switching currents and provide adequate heat spreading for the MOSFETs.

### Low Impedance Power Path

In a buck regulator the primary switching loop consists of the input capacitor connection to the MOSFETs. Minimizing the area of this loop reduces the stray inductance, which minimizes noise and possible erratic operation. The ceramic input capacitors at each phase should be placed as close as possible to the MOSFETs, with the VIN side of the capacitors connected directly to the high-side MOSFET drain, and the PGND side of the capacitors connected as close as possible to the low-side source. The complete power path includes the input capacitors, power MOSFETs, output inductor, and output capacitors. Keep these components on the same side of the board and connect them with thick traces or copper planes. Avoid connecting these components through vias whenever possible, as vias add inductance and resistance. In general, the power components should be kept close together, minimizing the circuit board losses.

## Comprehensive Equations

### Power Stage Transfer Function

To include all terms, it is easiest to use the impedance form of the equation:

$$\frac{\hat{V}_O}{\hat{V}_C} = \frac{K_m \times Z_O}{Z_O + Z_L + K_m \times R_i \times H(s) \times H_a(s)}$$

where

$$K_m = \frac{1}{(0.5 - D) \times R_i \times \frac{T}{L} + K_{FF}}$$

$$Z_O = \frac{R_O \times (1 + s \times C_O \times R_C)}{1 + s \times C_O \times (R_O + R_C)} \quad Z_L = s \times L + R_{DC}$$

- $R_{DC} = R_{DS(on)_HI} \times D + R_{DS(on)_LO} \times (1 - D) + R_L + R_S$  (76)

With:

$$D = \frac{V_O}{V_{IN}} \quad R_i = A \times R_S \quad H(s) = \frac{s^2}{\omega_n^2}$$

$$T = \frac{1}{f_{SW}} \quad H_a(s) = \frac{s \times C_{AV} \times R_{AV}}{1 + s \times C_{AV} \times R_{AV}} \quad \omega_n = \frac{\pi}{T}$$
 (77)

### Error Amplifier Transfer Function

Using a single-pole operational amplifier model, the complete error amplifier transfer function is given by:

$$\frac{\hat{V}_C}{\hat{V}_O} = -G_{EA}(s) \times \frac{1}{1 + \left( \frac{1}{A_{OL}} + \frac{s}{\omega_{BW}} \right) \times \left( 1 + G_{FB}(s) \right)}$$
 (78)

Where the open loop gain  $A_{OL} = 3162$  (70 dB) and the unity gain bandwidth  $\omega_{BW} = 2 \times \pi \times f_{BW}$ .

The ideal transfer function is expressed in terms of the mid-band gain as:

$$G_{EA}(s) = \frac{A_{VM}}{K_{HF}} \times \frac{1 + \frac{\omega_{ZEA}}{s}}{1 + \frac{s}{\omega_{FP}}} \times \frac{1 + \frac{s}{\omega_{FZ}}}{1 + \frac{s}{\omega_{HF}}}$$
 (79)

The feedback gain is then:

$$G_{FB}(s) = \frac{A_{VM}}{K_{HF} \times K_{FB}} \times \frac{1 + \frac{\omega_{ZEA}}{s}}{1 + \frac{s}{\omega_{FP}}} \times \frac{1 + \frac{s}{\omega_{FB}}}{1 + \frac{s}{\omega_{HF}}}$$

where

$$A_{VM} = \frac{R_{COMP}}{R_{FBT}} \quad K_{HF} = 1 + \frac{C_{HF}}{C_{COMP}}$$

$$\omega_{ZEA} = \frac{1}{C_{COMP} \times R_{COMP}} \quad \omega_{FZ} = \frac{1}{C_{FF} \times (R_{FF} + R_{FBT})}$$

$$\omega_{FP} = \frac{1}{C_{FF} \times R_{FF}} \quad \omega_{HF} = \frac{C_{HF} + C_{COMP}}{C_{HF} \times C_{COMP} \times R_{COMP}}$$

- $K_{FB} = \frac{R_{FBB}}{R_{FBB} + R_{FBT}} \quad \omega_{FB} = \frac{1}{C_{FF} \times (R_{FF} + K_{FB} \times R_{FBT})}$  (80)

### Error Amplifier Bandwidth Limit

When the ideal error amplifier gain reaches the open loop gain-bandwidth limit, the phase goes to zero. To incorporate the amplifier bandwidth into the design procedure, determine the boundary limit with respect to the ESR zero frequency:

$$\omega_{ZB} = \left( \omega_{BW} \times K_m \times \omega_P^2 \right)^{0.333} \quad (81)$$

Based on the relative ESR zero, the crossover frequency is set at 1/3 of the bandwidth limiting frequency.

If  $\omega_z > \omega_{ZB}$ , calculate the optimal crossover frequency from:

$$f_C = \frac{1}{(2 \times \pi) \times 3} \times \left( \omega_{BW} \times K_m \times \omega_P^2 \right)^{0.333} \quad (82)$$

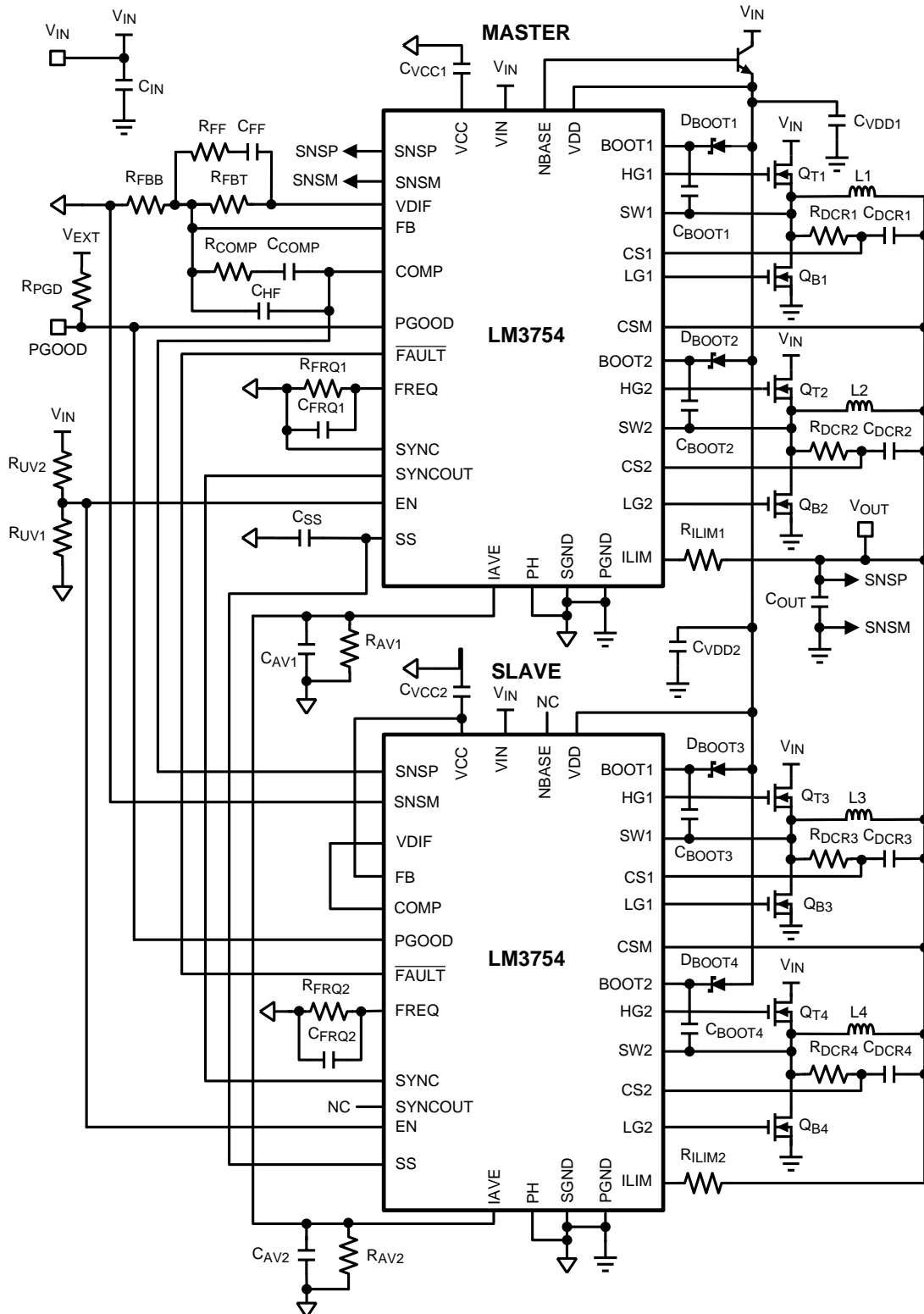
If  $\omega_z < \omega_{ZB}$ , calculate the optimal crossover frequency from:

$$f_C = \frac{1}{(2 \times \pi) \times 3} \times \left( \frac{\omega_{BW} \times K_m \times \omega_P^2}{\omega_Z} \right)^{0.5} \quad (83)$$

Using this method, the maximum phase boost is achieved at the optimal crossover frequency.

In either case, the upper limit for  $f_C$  is typically set at 1/5 of the switching frequency.

Typical Application



All controllers in the system are the same part. The Master and Slave are differentiated by how they are connected in the system.

Figure 29. Typical Application

Design Examples

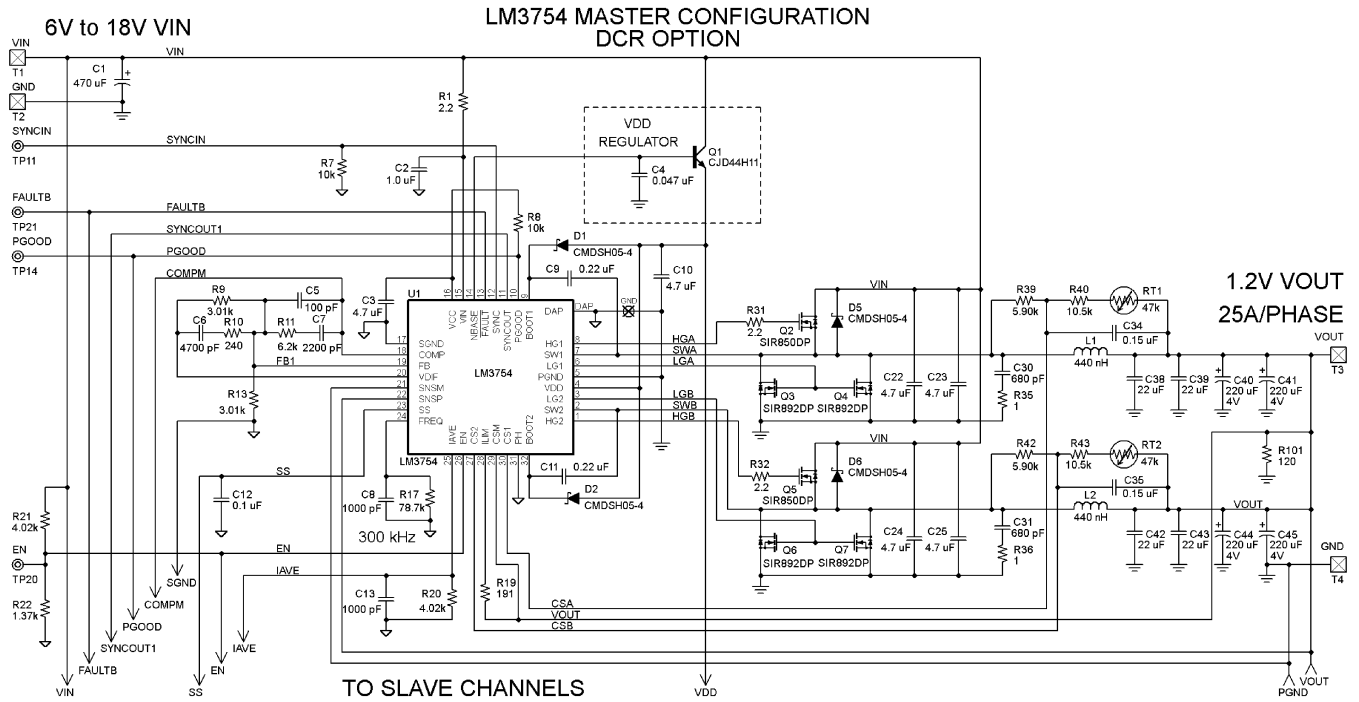


Figure 30. Master with DCR Sense

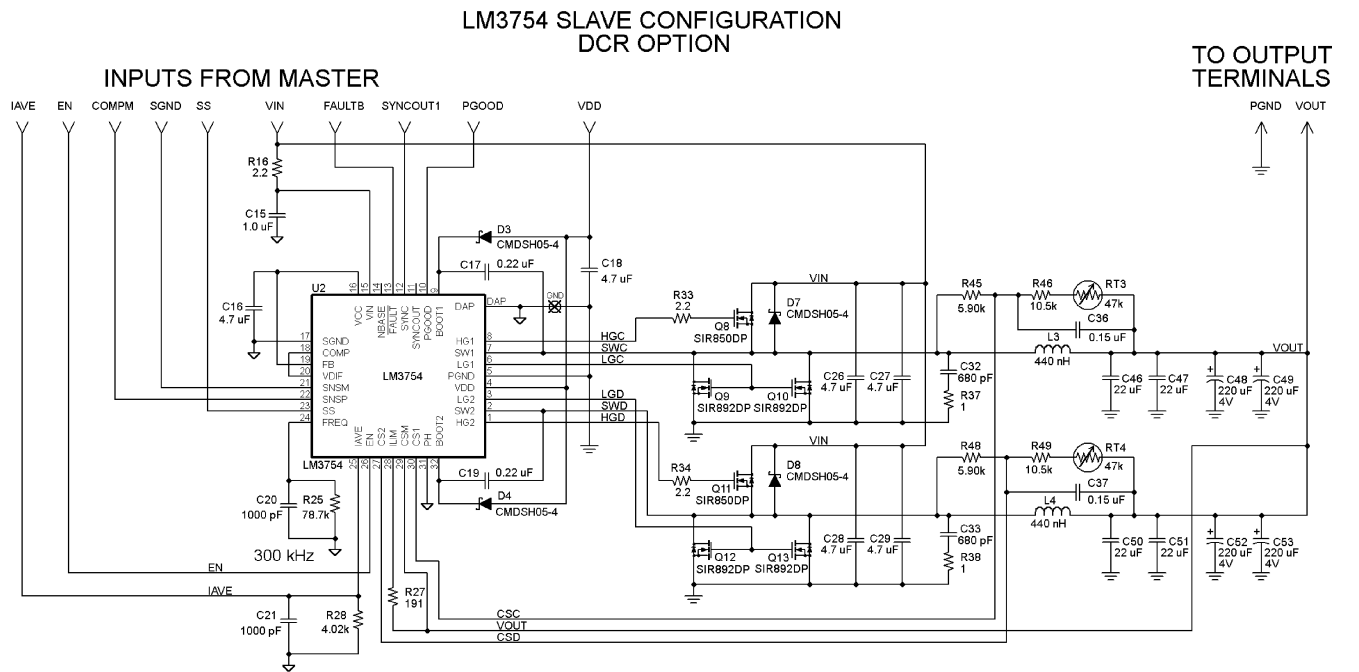


Figure 31. Slave with DCR Sense



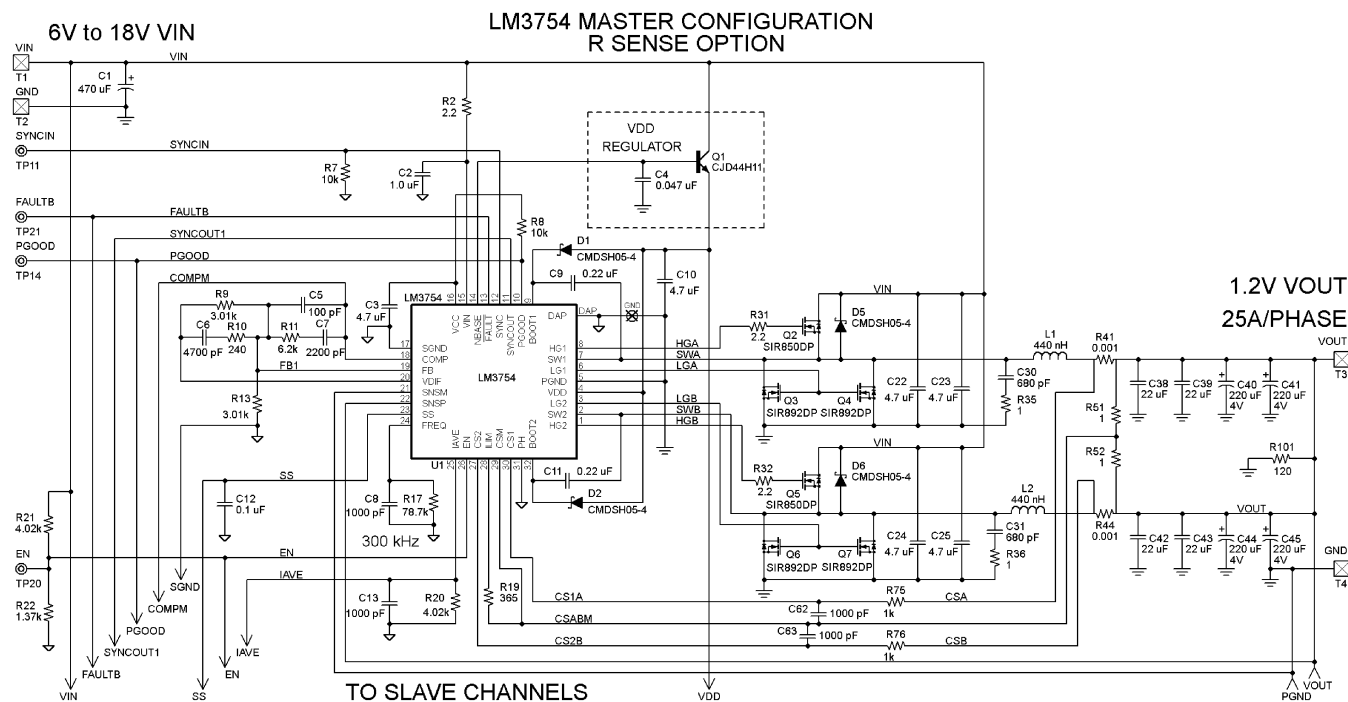


Figure 32. Master with Resistor Sense

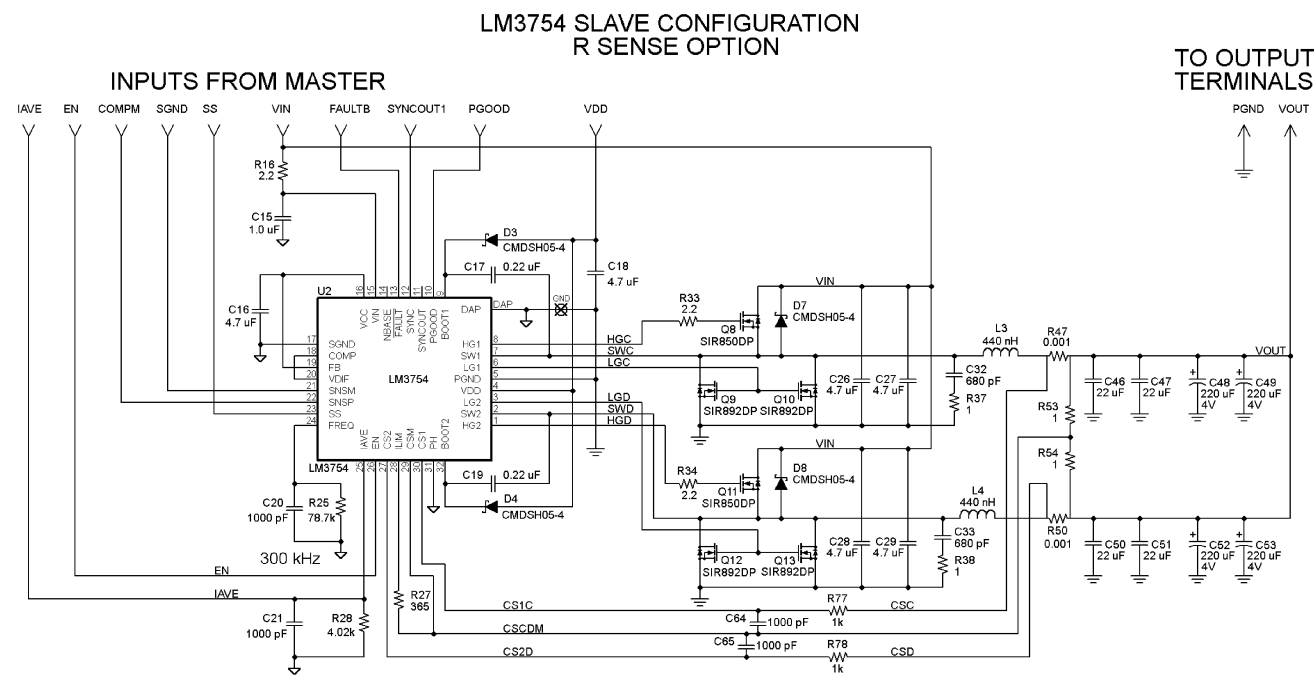


Figure 33. Slave with Resistor Sense

## REVISION HISTORY

Changes from Revision A (April 2013) to Revision B	Page
• Changed layout of National Data Sheet to TI format .....	41

**PACKAGING INFORMATION**

Orderable part number	Status (1)	Material type (2)	Package   Pins	Package qty   Carrier	RoHS (3)	Lead finish/ Ball material (4)	MSL rating/ Peak reflow (5)	Op temp (°C)	Part marking (6)
<a href="#">LM3754SQ/NOPB</a>	Active	Production	WQFN (RTV)   32	1000   SMALL T&R	Yes	SN	Level-3-260C-168 HR	-5 to 125	LM3754
LM3754SQ/NOPB.A	Active	Production	WQFN (RTV)   32	1000   SMALL T&R	Yes	SN	Level-3-260C-168 HR	-5 to 125	LM3754
<a href="#">LM3754SQX/NOPB</a>	Active	Production	WQFN (RTV)   32	4500   LARGE T&R	Yes	SN	Level-3-260C-168 HR	-5 to 125	LM3754
LM3754SQX/NOPB.A	Active	Production	WQFN (RTV)   32	4500   LARGE T&R	Yes	SN	Level-3-260C-168 HR	-5 to 125	LM3754

(1) **Status:** For more details on status, see our [product life cycle](#).

(2) **Material type:** When designated, preproduction parts are prototypes/experimental devices, and are not yet approved or released for full production. Testing and final process, including without limitation quality assurance, reliability performance testing, and/or process qualification, may not yet be complete, and this item is subject to further changes or possible discontinuation. If available for ordering, purchases will be subject to an additional waiver at checkout, and are intended for early internal evaluation purposes only. These items are sold without warranties of any kind.

(3) **RoHS values:** Yes, No, RoHS Exempt. See the [TI RoHS Statement](#) for additional information and value definition.

(4) **Lead finish/Ball material:** Parts may have multiple material finish options. Finish options are separated by a vertical ruled line. Lead finish/Ball material values may wrap to two lines if the finish value exceeds the maximum column width.

(5) **MSL rating/Peak reflow:** The moisture sensitivity level ratings and peak solder (reflow) temperatures. In the event that a part has multiple moisture sensitivity ratings, only the lowest level per JEDEC standards is shown. Refer to the shipping label for the actual reflow temperature that will be used to mount the part to the printed circuit board.

(6) **Part marking:** There may be an additional marking, which relates to the logo, the lot trace code information, or the environmental category of the part.

Multiple part markings will be inside parentheses. Only one part marking contained in parentheses and separated by a "~" will appear on a part. If a line is indented then it is a continuation of the previous line and the two combined represent the entire part marking for that device.

**Important Information and Disclaimer:** The information provided on this page represents TI's knowledge and belief as of the date that it is provided. TI bases its knowledge and belief on information provided by third parties, and makes no representation or warranty as to the accuracy of such information. Efforts are underway to better integrate information from third parties. TI has taken and continues to take reasonable steps to provide representative and accurate information but may not have conducted destructive testing or chemical analysis on incoming materials and chemicals. TI and TI suppliers consider certain information to be proprietary, and thus CAS numbers and other limited information may not be available for release.

In no event shall TI's liability arising out of such information exceed the total purchase price of the TI part(s) at issue in this document sold by TI to Customer on an annual basis.

**TAPE AND REEL INFORMATION**

**QUADRANT ASSIGNMENTS FOR PIN 1 ORIENTATION IN TAPE**

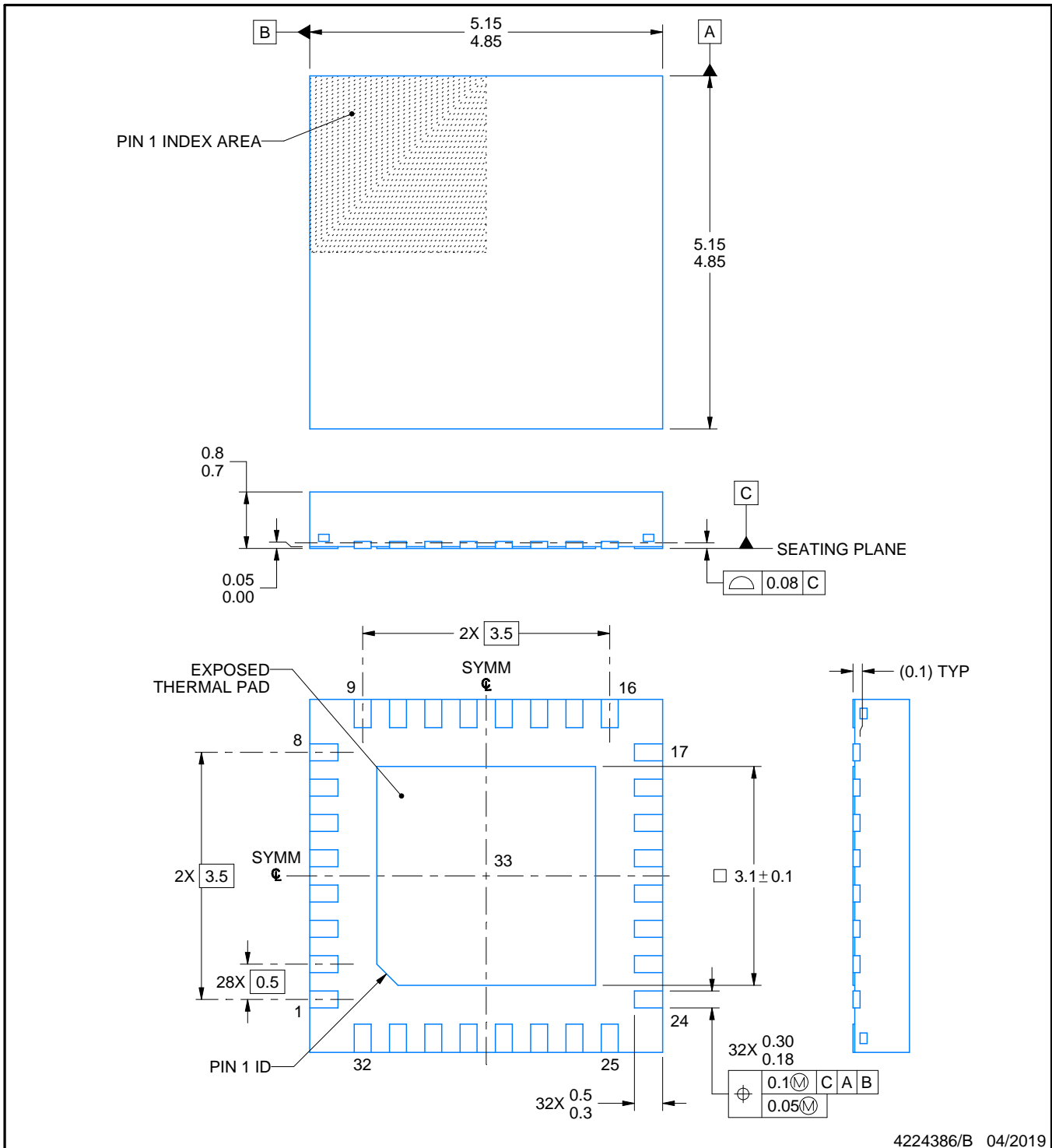
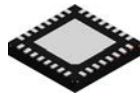

\*All dimensions are nominal

Device	Package Type	Package Drawing	Pins	SPQ	Reel Diameter (mm)	Reel Width W1 (mm)	A0 (mm)	B0 (mm)	K0 (mm)	P1 (mm)	W (mm)	Pin1 Quadrant
LM3754SQ/NOPB	WQFN	RTV	32	1000	177.8	12.4	5.3	5.3	1.3	8.0	12.0	Q1
LM3754SQX/NOPB	WQFN	RTV	32	4500	330.0	12.4	5.3	5.3	1.3	8.0	12.0	Q1

**TAPE AND REEL BOX DIMENSIONS**


\*All dimensions are nominal

Device	Package Type	Package Drawing	Pins	SPQ	Length (mm)	Width (mm)	Height (mm)
LM3754SQ/NOPB	WQFN	RTV	32	1000	208.0	191.0	35.0
LM3754SQX/NOPB	WQFN	RTV	32	4500	356.0	356.0	36.0



4224386/B 04/2019

NOTES:

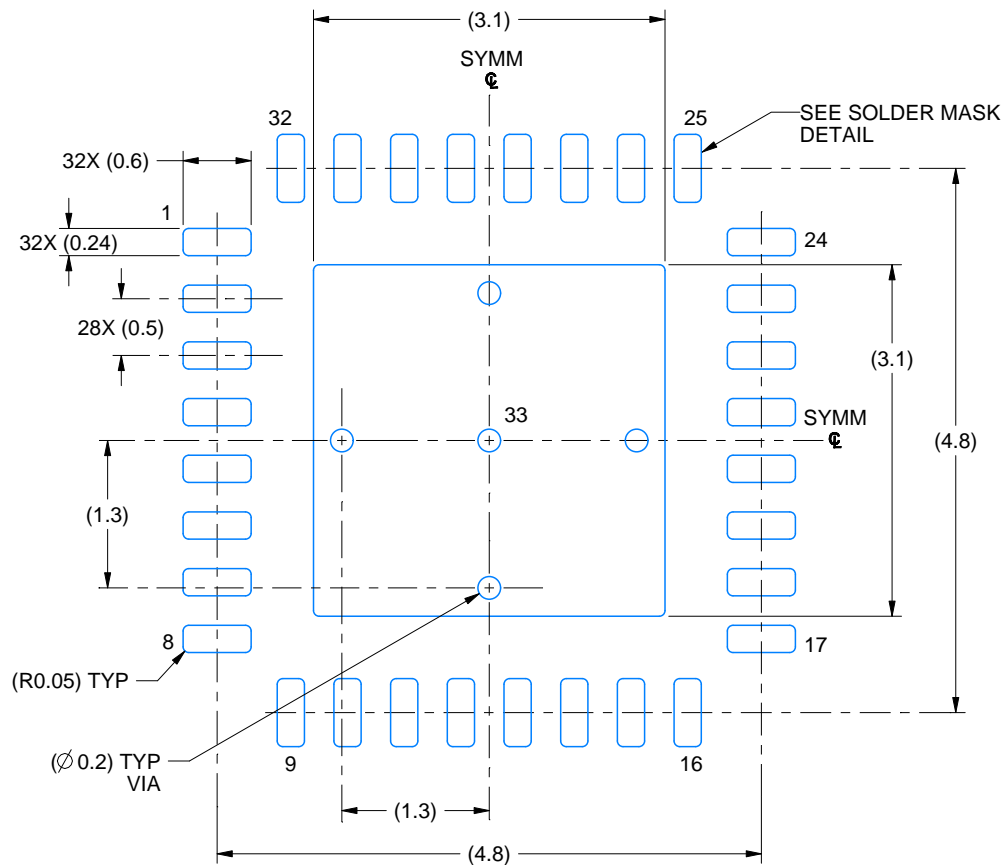
1. All linear dimensions are in millimeters. Any dimensions in parenthesis are for reference only. Dimensioning and tolerancing per ASME Y14.5M.
2. This drawing is subject to change without notice.
3. The package thermal pad must be soldered to the printed circuit board for thermal and mechanical performance.

# EXAMPLE BOARD LAYOUT

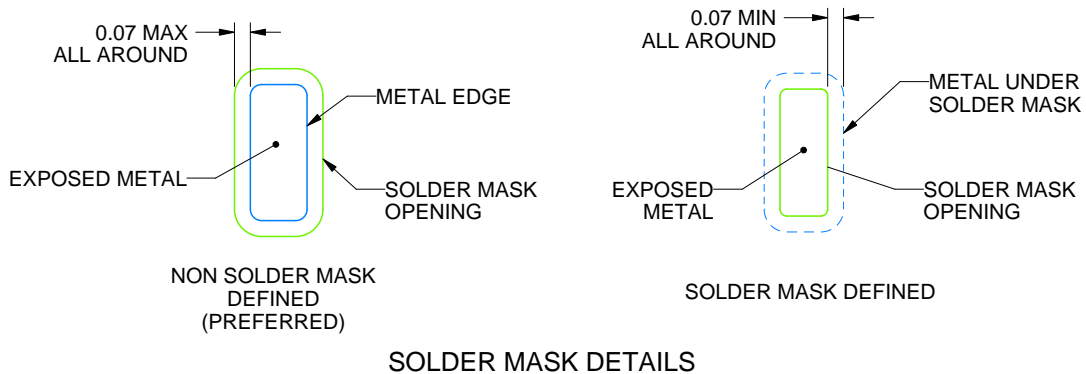
RTV0032A

WQFN - 0.8 mm max height

PLASTIC QUAD FLATPACK - NO LEAD



LAND PATTERN EXAMPLE  
EXPOSED METAL SHOWN  
SCALE: 15X



4224386/B 04/2019

NOTES: (continued)

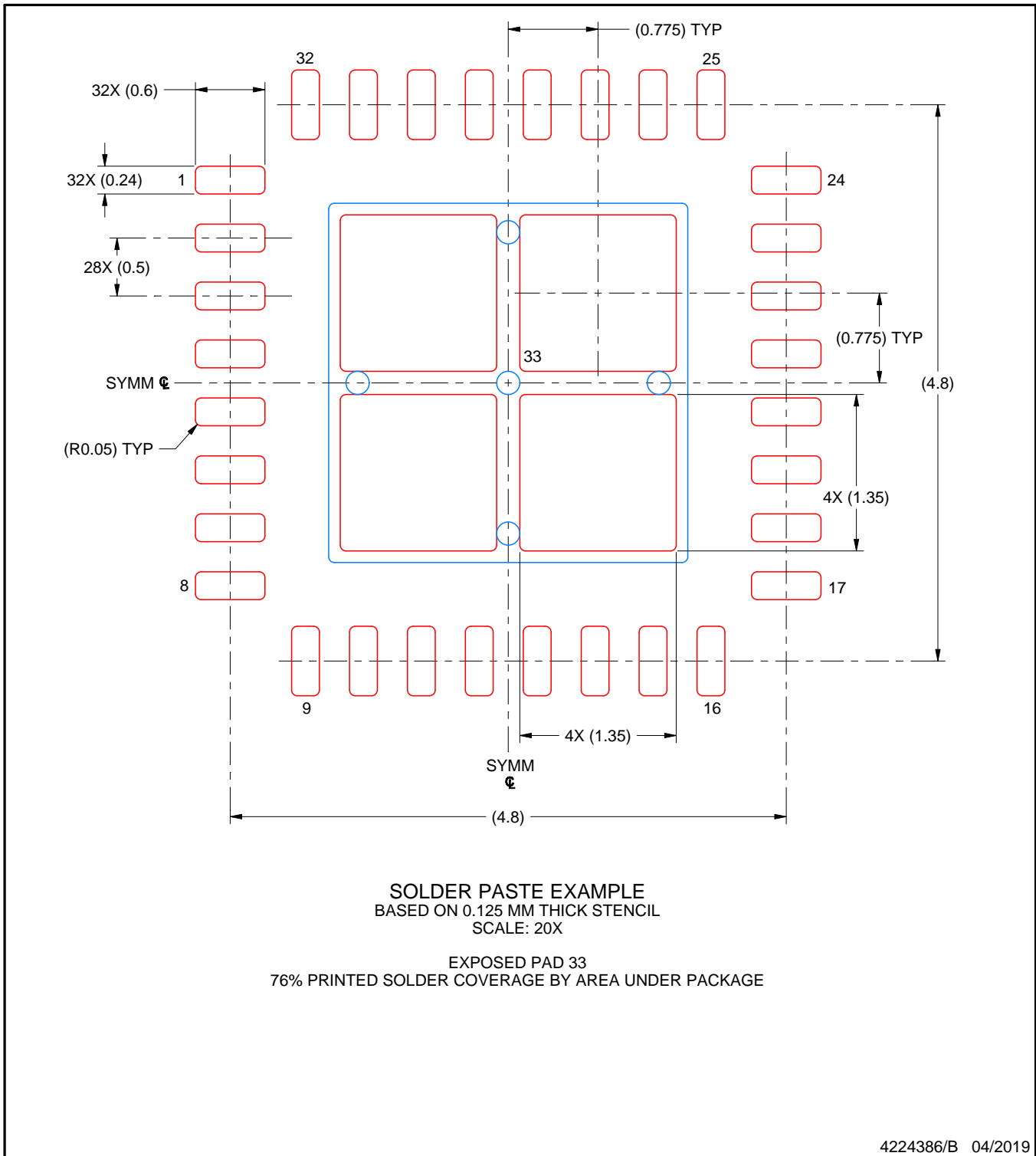
- This package is designed to be soldered to a thermal pad on the board. For more information, see Texas Instruments literature number SLUA271 ([www.ti.com/lit/sluea271](http://www.ti.com/lit/sluea271)).
- Vias are optional depending on application, refer to device data sheet. If any vias are implemented, refer to their locations shown on this view. It is recommended that vias under paste be filled, plugged or tented.

# EXAMPLE STENCIL DESIGN

RTV0032A

WQFN - 0.8 mm max height

PLASTIC QUAD FLATPACK - NO LEAD



NOTES: (continued)

6. Laser cutting apertures with trapezoidal walls and rounded corners may offer better paste release. IPC-7525 may have alternate design recommendations.



## IMPORTANT NOTICE AND DISCLAIMER

TI PROVIDES TECHNICAL AND RELIABILITY DATA (INCLUDING DATASHEETS), DESIGN RESOURCES (INCLUDING REFERENCE DESIGNS), APPLICATION OR OTHER DESIGN ADVICE, WEB TOOLS, SAFETY INFORMATION, AND OTHER RESOURCES "AS IS" AND WITH ALL FAULTS, AND DISCLAIMS ALL WARRANTIES, EXPRESS AND IMPLIED, INCLUDING WITHOUT LIMITATION ANY IMPLIED WARRANTIES OF MERCHANTABILITY, FITNESS FOR A PARTICULAR PURPOSE OR NON-INFRINGEMENT OF THIRD PARTY INTELLECTUAL PROPERTY RIGHTS.

These resources are intended for skilled developers designing with TI products. You are solely responsible for (1) selecting the appropriate TI products for your application, (2) designing, validating and testing your application, and (3) ensuring your application meets applicable standards, and any other safety, security, regulatory or other requirements.

These resources are subject to change without notice. TI grants you permission to use these resources only for development of an application that uses the TI products described in the resource. Other reproduction and display of these resources is prohibited. No license is granted to any other TI intellectual property right or to any third party intellectual property right. TI disclaims responsibility for, and you fully indemnify TI and its representatives against any claims, damages, costs, losses, and liabilities arising out of your use of these resources.

TI's products are provided subject to [TI's Terms of Sale](#), [TI's General Quality Guidelines](#), or other applicable terms available either on [ti.com](#) or provided in conjunction with such TI products. TI's provision of these resources does not expand or otherwise alter TI's applicable warranties or warranty disclaimers for TI products. Unless TI explicitly designates a product as custom or customer-specified, TI products are standard, catalog, general purpose devices.

TI objects to and rejects any additional or different terms you may propose.

Copyright © 2025, Texas Instruments Incorporated

Last updated 10/2025