

LM4040-N/-Q1 Precision Micropower Shunt Voltage Reference

1 Features

- LM4040-N-Q1 AEC Q-100 qualified for automotive applications
 - Extended Grade 1: -40°C to $+125^{\circ}\text{C}$, T_A
 - Industrial Grade 3: -40°C to $+85^{\circ}\text{C}$, T_A
- Small packages: SOT-23, TO-92, and SC70
- No output capacitor required
- Tolerates capacitive loads
- Fixed reverse breakdown voltages of 2.048V, 2.5V, 3V, 4.096V, 5V, 8.192V, and 10V
- Key specifications (2.5V LM4040-N)
 - Output voltage tolerance (A Grade, 25°C): $\pm 0.1\%$ (maximum)
 - Low output noise (10Hz to 10kHz): $35\mu\text{V}_{\text{rms}}$ (typical)
 - Wide operating current range: $60\mu\text{A}$ to 15mA
 - Industrial temperature range: -40°C to $+85^{\circ}\text{C}$
 - Extended temperature range: -40°C to $+125^{\circ}\text{C}$
 - Low temperature coefficient: 100ppm/ $^{\circ}\text{C}$ (maximum)

2 Applications

- [Field Transmitters](#)
- [Energy Infrastructure](#)
- [Data Acquisition](#)
- [Analog Input Module](#)
- [Automotive](#)
- [Audio and Video](#)

3 Description

Designed for space-critical applications, the LM4040-N precision voltage reference is available in small SC70 and SOT-23 surface-mount package. The advanced design of the LM4040-N eliminates the need for an external stabilizing capacitor while maintaining stability with any capacitive load, thus making the LM4040-N easy to use. Further reducing design effort is the availability of several fixed reverse breakdown voltages: 2.048V, 2.5V, 3V, 4.096V, 5V, 8.192V, and 10V. The minimum operating current increases from $60\mu\text{A}$ for the 2.5V LM4040-N to $100\mu\text{A}$ for the 10V LM4040-N. All versions have a maximum operating current of 15mA.

The LM4040-N uses a fuse and Zener-zap reverse breakdown voltage trim during wafer sort to make sure that the prime parts have an accuracy of better than $\pm 0.1\%$ (A grade) at 25°C . Bandgap reference temperature drift curvature correction and low dynamic impedance provide stable reverse breakdown voltage accuracy over a wide range of operating temperatures and currents.

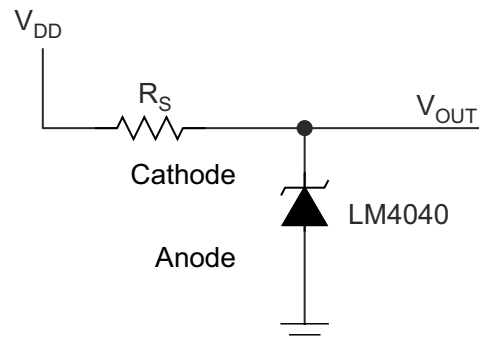
Also available is the LM4041-N with two reverse breakdown voltage versions: adjustable and 1.2V. See the LM4041-N data sheet ([SNOS641](#)).

Device Information

PART NUMBER	PACKAGE ⁽¹⁾	BODY SIZE (NOM) ⁽²⁾
LM4040-N	TO-92 (3)	4.30mm × 4.30mm
	SC70 (5)	2.00mm × 1.25mm
	SOT-23 (3)	2.92mm × 1.30mm

(1) For all available packages, see the orderable addendum at the end of the data sheet.

(2) The package size (length × width) is a nominal value and includes pins, where applicable.



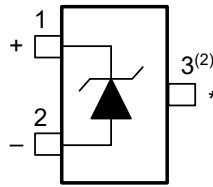
Shunt Reference Application Schematic



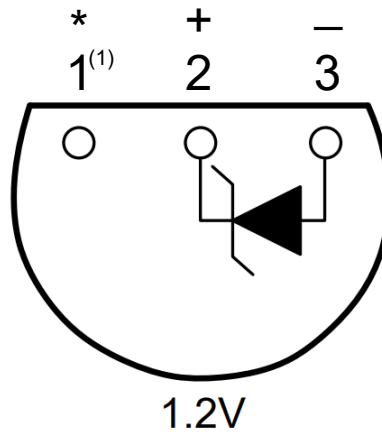
Table of Contents

1 Features	1	5.17 Electrical Characteristics: 5V LM4040-N V_R Tolerance Grades 'C' And 'D'; Temperature Grade 'I'..	27
2 Applications	1	5.18 Electrical Characteristics: 5V LM4040-N V_R Tolerance Grades 'C' And 'D'; Temperature Grade 'E'.....	29
3 Description	1	5.19 Electrical Characteristics: 8.2V LM4040-N V_R Tolerance Grades 'A' And 'B'; Temperature Grade 'I'..	31
4 Pin Configuration and Functions	3	5.20 Electrical Characteristics: 8.2V Lm4040-N V_R Tolerance Grades 'C' And 'D'; Temperature Grade 'I'..	32
5 Specifications	5	5.21 Electrical Characteristics: 10V LM4040-N V_R Tolerance Grades 'A' And 'B'; Temperature Grade 'I'..	33
5.1 Absolute Maximum Ratings.....	5	5.22 Electrical Characteristics: 10V LM4040-N V_R Tolerance Grades 'C' And 'D'; Temperature Grade 'I'..	34
5.2 ESD Ratings.....	5	5.23 Typical Characteristics.....	36
5.3 Recommended Operating Conditions.....	6	6 Parameter Measurement Information	38
5.4 Thermal Information.....	6	7 Detailed Description	39
5.5 Electrical Characteristics: 2V LM4040-N V_R Tolerance Grades 'A' And 'B'; Temperature Grade 'I'....	7	7.1 Overview.....	39
5.6 Electrical Characteristics: 2V LM4040-N V_R Tolerance Grades 'C', 'D', And 'E'; Temperature Grade 'I'.....	8	7.2 Functional Block Diagram.....	39
5.7 Electrical Characteristics: 2V LM4040-N V_R Tolerance Grades 'C', 'D', And 'E'; Temperature Grade 'E'.....	10	7.3 Feature Description.....	39
5.8 Electrical Characteristics: 2.5V LM4040-N V_R Tolerance Grades 'A' And 'B'; Temperature Grade 'I' (AEC Grade 3).....	12	7.4 Device Functional Modes.....	39
5.9 Electrical Characteristics: 2.5V LM4040-N V_R Tolerance Grades 'C', 'D', and 'E'; Temperature Grade 'I' (AEC Grade 3).....	13	8 Application and Implementation	40
5.10 Electrical Characteristics: 2.5V LM4040-N V_R Tolerance Grades 'C', 'D', And 'E'; Temperature Grade 'E' (AEC Grade 1).....	16	8.1 Application Information.....	40
5.11 Electrical Characteristics: 3V LM4040-N V_R Tolerance Grades 'A' And 'B'; Temperature Grade 'I'..	18	8.2 Typical Applications.....	41
5.12 Electrical Characteristics: 3V LM4040-N V_R Tolerance Grades 'C', 'D', And 'E'; Temperature Grade 'I'.....	19	8.3 Power Supply Recommendations.....	47
5.13 Electrical Characteristics: 3V LM4040-N V_R Tolerance Grades 'C', 'D', And 'E'; Temperature Grade 'E'.....	21	8.4 Layout.....	47
5.14 Electrical Characteristics: 4.1V LM4040-N V_R Tolerance Grades 'A' And 'B'; Temperature Grade 'I'..	23	9 Device and Documentation Support	49
5.15 Electrical Characteristics: 4.1V LM4040-N V_R Tolerance Grades 'C' and 'D'; Temperature Grade 'I'..	24	9.1 Documentation Support.....	49
5.16 Electrical Characteristics: 5V LM4040-N V_R Tolerance Grades 'A' And 'B'; Temperature Grade 'I'..	26	9.2 Related Links.....	49
		9.3 Receiving Notification of Documentation Updates....	49
		9.4 Support Resources.....	49
		9.5 Trademarks.....	49
		9.6 Electrostatic Discharge Caution.....	49
		9.7 Glossary.....	49
		10 Revision History	50
		11 Mechanical, Packaging, And Orderable Information	53
		11.1 SOT-23 and SC70 Package Marking Information...	53

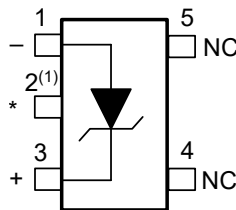
4 Pin Configuration and Functions



**Figure 4-1. DBZ Package
3-Pin SOT-23
Top View**



**Figure 4-2. LP Package
3-Pin TO-92
Bottom View**



**Figure 4-3. DCK Package
5-Pin SC70
Top View**

Table 4-1. Pin Functions

NAME	PIN			I/O	DESCRIPTION
	SOT-23	TO-92	SC70		
Anode	2	3	1	O	Anode pin, normally grounded
Cathode	1	2	3	I/O	Shunt Current/Output Voltage
*	3 ⁽²⁾	1 ⁽¹⁾	2 ⁽¹⁾	—	Must float or connect to anode
NC	—	—	4, 5	—	No connect

- (1) This pin must be left floating or connected to pin 1. **In applications with high electromagnetic interference (for example, when placed near transformers or other electromagnetic sources) or significant high-frequency switching noise, TI recommends to connect this pin to the anode.**
- (2) This pin must be left floating or connected to pin 2. **In applications with high electromagnetic interference (for example, when placed near transformers or other electromagnetic sources) or significant high-frequency switching noise, TI recommends to connect this pin to the anode.**

5 Specifications

5.1 Absolute Maximum Ratings

over operating free-air temperature range (unless otherwise noted)^{(1) (2)}

		MIN	MAX	UNIT
Reverse current			20	mA
Forward current			10	mA
Power dissipation ($T_A = 25^\circ\text{C}$) ⁽³⁾	SOT-23 (M3) package		306	mW
	TO-92 (Z) package		550	mW
	SC70 (M7) package		241	mW
Storage temperature, T_{stg}		-65	150	$^\circ\text{C}$

- (1) Stresses beyond those listed under *Absolute Maximum Ratings* can cause permanent damage to the device. These are stress ratings only, which do not imply functional operation of the device at these or any other conditions beyond those indicated under [Section 5.3](#). Exposure to absolute-maximum-rated conditions for extended periods can affect device reliability.
- (2) If Military/Aerospace specified devices are required, please contact the Texas Instruments Sales Office/ Distributors for availability and specifications.
- (3) The maximum power dissipation must be derated at elevated temperatures and is dictated by T_{Jmax} (maximum junction temperature), $R_{\theta JA}$ (junction to ambient thermal resistance), and T_A (ambient temperature). The maximum allowable power dissipation at any temperature is $PD_{max} = (T_{Jmax} - T_A)/R_{\theta JA}$ or the number given in the *Absolute Maximum Ratings*, whichever is lower. For the LM4040-N, $T_{Jmax} = 125^\circ\text{C}$, and the typical thermal resistance ($R_{\theta JA}$), when board mounted, is 326°C/W for the SOT-23 package, and 180°C/W with 0.4" lead length and 170°C/W with 0.125" lead length for the TO-92 package and 415°C/W for the SC70 Package.

5.2 ESD Ratings

			VALUE	UNIT
$V_{(ESD)}$	Electrostatic discharge	Human-body model (HBM), per AEC Q100-002 ⁽¹⁾ & per ANSI/ESDA/ JEDEC JS-001 ⁽²⁾	± 2000	V
		Charged-device model (CDM), per AEC Q100-011, per JEDEC specification JESD22-C101 ⁽³⁾	± 750	

- (1) AEC Q100-002 indicates that HBM stressing shall be in accordance with the ANSI/ESDA/JEDEC JS-001 specification.
- (2) JEDEC document JEP155 states that 500V HBM allows safe manufacturing with a standard ESD control process.
- (3) JEDEC document JEP157 states that 250V CDM allows safe manufacturing with a standard ESD control process

5.3 Recommended Operating Conditions

over operating free-air temperature range (unless otherwise noted)^{(1) (2)}

		MIN	MAX	UNIT
Temperature ($T_{\min} \leq T_A \leq T_{\max}$)	Industrial Temperature	$-40^{\circ}\text{C} \leq T_A \leq 85$		$^{\circ}\text{C}$
	Extended Temperature	$-40 \leq T_A \leq 125^{\circ}\text{C}$		$^{\circ}\text{C}$
Reverse Current	LM4040-N-2.0	60	15	μA to mA
	LM4040-N-2.5	60	15	μA to mA
	LM4040-N-3.0	62	15	μA to mA
	LM4040-N-4.1	68	15	μA to mA
	LM4040-N-5.0	74	15	μA to mA
	LM4040-N-8.2	91	15	μA to mA
	LM4040-N-10.0	100	15	μA to mA

- (1) *Absolute Maximum Ratings* indicate limits beyond which damage to the device can occur. *Recommended Operating Conditions* indicate conditions for which the device is functional, but do not maintain specific performance limits. For verified specifications and test conditions, see the *Electrical Characteristics*. The verified specifications apply only for the test conditions listed. Some performance characteristics can degrade when the device is not operated under the listed test conditions.
- (2) The maximum power dissipation must be derated at elevated temperatures and is dictated by T_{Jmax} (maximum junction temperature), $R_{\theta\text{JA}}$ (junction to ambient thermal resistance), and T_A (ambient temperature). The maximum allowable power dissipation at any temperature is $\text{PD}_{\text{max}} = (T_{\text{Jmax}} - T_A)/R_{\theta\text{JA}}$ or the number given in the Absolute Maximum Ratings, whichever is lower. For the LM4040-N, $T_{\text{Jmax}} = 125^{\circ}\text{C}$, and the typical thermal resistance ($R_{\theta\text{JA}}$), when board mounted, is $326^{\circ}\text{C}/\text{W}$ for the SOT-23 package, and $180^{\circ}\text{C}/\text{W}$ with 0.4" lead length and $170^{\circ}\text{C}/\text{W}$ with 0.125" lead length for the TO-92 package and $415^{\circ}\text{C}/\text{W}$ for the SC70 package.

5.4 Thermal Information

THERMAL METRIC ⁽¹⁾		LM4040-N			UNIT
		DBZ (SOT-23)	LP (TO-92)	DCK (SC70)	
		3 PINS	3 PINS	5 PINS	
$R_{\theta\text{JA}}$	Junction-to-ambient thermal resistance	291.9	166	267	$^{\circ}\text{C}/\text{W}$
$R_{\theta\text{JC(top)}}$	Junction-to-case (top) thermal resistance	114.3	88.2	95.6	$^{\circ}\text{C}/\text{W}$
$R_{\theta\text{JB}}$	Junction-to-board thermal resistance	62.3	145.2	48.1	$^{\circ}\text{C}/\text{W}$
ψ_{JT}	Junction-to-top characterization parameter	7.4	32.5	2.4	$^{\circ}\text{C}/\text{W}$
ψ_{JB}	Junction-to-board characterization parameter	61	N/A	47.3	$^{\circ}\text{C}/\text{W}$
$R_{\theta\text{JC(bot)}}$	Junction-to-case (bottom) thermal resistance	N/A	N/A	N/A	$^{\circ}\text{C}/\text{W}$

- (1) For more information about traditional and new thermal metrics, see the [Semiconductor and IC Package Thermal Metrics](#) application report (SPRA953).

5.5 Electrical Characteristics: 2V LM4040-N V_R Tolerance Grades 'A' And 'B'; Temperature Grade 'I'

all other limits $T_A = T_J = 25^\circ\text{C}$. The grades A and B designate initial Reverse Breakdown Voltage tolerances of $\pm 0.1\%$ and $\pm 0.2\%$, respectively.

PARAMETER		TEST CONDITIONS		MIN ⁽¹⁾	TYP	MAX ⁽¹⁾	UNIT	
V_R	Reverse Breakdown Voltage	$I_R = 100\mu\text{A}$			2.048		V	
	Reverse Breakdown Voltage Tolerance ⁽²⁾	$I_R = 100\mu\text{A}$	LM4040AIM3 LM4040AIZ			± 2	mV	
			LM4040BIM3 LM4040BIZ LM4040BIM7			± 4.1	mV	
			LM4040AIM3 LM4040AIZ	$T_A = T_J = T_{\text{MIN}}$ to T_{MAX}			± 15	mV
			LM4040BIM3 LM4040BIZ LM4040BIM7	$T_A = T_J = T_{\text{MIN}}$ to T_{MAX}			± 17	mV
I_{RMIN}	Minimum Operating Current	$T_A = T_J = 25^\circ\text{C}$			45	60	μA	
		$T_A = T_J = T_{\text{MIN}}$ to T_{MAX}				65		
$\Delta V_R / \Delta T$	Average Reverse Breakdown Voltage Temperature Coefficient ⁽²⁾	$I_R = 10\text{mA}$			± 20		ppm/ $^\circ\text{C}$	
		$I_R = 1\text{mA}$	$T_A = T_J = 25^\circ\text{C}$			± 15	ppm/ $^\circ\text{C}$	
			$T_A = T_J = T_{\text{MIN}}$ to T_{MAX}			± 100		
$I_R = 100\mu\text{A}$					± 15	ppm/ $^\circ\text{C}$		
$\Delta V_R / \Delta I_R$	Reverse Breakdown Voltage Change with Operating Current Change ⁽³⁾	$I_{\text{RMIN}} \leq I_R \leq 1\text{mA}$	$T_A = T_J = 25^\circ\text{C}$		0.3	0.8	mV	
			$T_A = T_J = T_{\text{MIN}}$ to T_{MAX}			1		
		$1\text{mA} \leq I_R \leq 15\text{mA}$	$T_A = T_J = 25^\circ\text{C}$			2.5	6	mV
			$T_A = T_J = T_{\text{MIN}}$ to T_{MAX}				8	
Z_R	Reverse Dynamic Impedance	$I_R = 1\text{mA}$, $f = 120\text{Hz}$, $I_{\text{AC}} = 0.1 I_R$			0.3	0.8	Ω	
e_N	Wideband Noise	$I_R = 100\mu\text{A}$ $10\text{Hz} \leq f \leq 10\text{kHz}$			35		μV_{rms}	
ΔV_R	Reverse Breakdown Voltage Long Term Stability	$t = 1000\text{hrs}$ $T = 25^\circ\text{C} \pm 0.1^\circ\text{C}$ $I_R = 100\mu\text{A}$			120		ppm	
V_{HYST}	Thermal Hysteresis ⁽⁴⁾	$\Delta T = -40^\circ\text{C}$ to 125°C			0.08%			

- Limits are 100% production tested at 25°C . Limits over temperature are verified through correlation using Statistical Quality Control (SQC) methods. The limits are used to calculate AOQL.
- The overtemperature limit for Reverse Breakdown Voltage Tolerance is defined as the room temperature Reverse Breakdown Voltage $\pm [(\Delta V_R / \Delta T)(\text{max}\Delta T)(V_R)]$. Where, $\Delta V_R / \Delta T$ is the V_R temperature coefficient, $\text{max}\Delta T$ is the maximum difference in temperature from the reference point of 25°C to T_{MIN} or T_{MAX} , and V_R is the reverse breakdown voltage. The total overtemperature tolerance for the different grades in the industrial temperature range where $\text{max}\Delta T = 65^\circ\text{C}$ is shown below:
 A-grade: $\pm 0.75\% = \pm 0.1\% \pm 100\text{ppm}/^\circ\text{C} \times 65^\circ\text{C}$
 B-grade: $\pm 0.85\% = \pm 0.2\% \pm 100\text{ppm}/^\circ\text{C} \times 65^\circ\text{C}$
 C-grade: $\pm 1.15\% = \pm 0.5\% \pm 100\text{ppm}/^\circ\text{C} \times 65^\circ\text{C}$
 D-grade: $\pm 1.98\% = \pm 1.0\% \pm 150\text{ppm}/^\circ\text{C} \times 65^\circ\text{C}$
 E-grade: $\pm 2.98\% = \pm 2.0\% \pm 150\text{ppm}/^\circ\text{C} \times 65^\circ\text{C}$
 The total overtemperature tolerance for the different grades in the extended temperature range where $\text{max}\Delta T = 100^\circ\text{C}$ is shown below:
 C-grade: $\pm 1.5\% = \pm 0.5\% \pm 100\text{ppm}/^\circ\text{C} \times 100^\circ\text{C}$
 D-grade: $\pm 2.5\% = \pm 1.0\% \pm 150\text{ppm}/^\circ\text{C} \times 100^\circ\text{C}$
 E-grade: $\pm 3.5\% = \pm 2.0\% \pm 150\text{ppm}/^\circ\text{C} \times 100^\circ\text{C}$
 Therefore, as an example, the A-grade 2.5V LM4040-N has an overtemperature Reverse Breakdown Voltage tolerance of $\pm 2.5\text{V} \times 0.75\% = \pm 19\text{mV}$.
- Load regulation is measured on pulse basis from no load to the specified load current. Output changes due to die temperature change must be taken into account separately.
- Thermal hysteresis is defined as the difference in voltage measured at 25°C after cycling to temperature -40°C and the 25°C measurement after cycling to temperature 125°C .

5.6 Electrical Characteristics: 2V LM4040-N V_R Tolerance Grades 'C', 'D', And 'E'; Temperature Grade 'I'

all other limits $T_A = T_J = 25^\circ\text{C}$. The grades C, D and E designate initial Reverse Breakdown Voltage tolerances of $\pm 0.5\%$, $\pm 1\%$ and $\pm 2\%$, respectively.

PARAMETER		TEST CONDITIONS		MIN ⁽²⁾	TYP ⁽¹⁾	MAX ⁽²⁾	UNIT	
V_R	Reverse Breakdown Voltage	$I_R = 100\mu\text{A}$			2.048		V	
	Reverse Breakdown Voltage Tolerance ⁽³⁾	$I_R = 100\mu\text{A}$	LM4040CIM3 LM4040CIZ LM4040CIM7	$T_A = T_J = 25^\circ\text{C}$		± 10	mV	
				$T_A = T_J = T_{\text{MIN}}$ to T_{MAX}		± 23		
			LM4040DIM3 LM4040DIZ LM4040DIM7	$T_A = T_J = 25^\circ\text{C}$		± 20		
				$T_A = T_J = T_{\text{MIN}}$ to T_{MAX}		± 40		
			LM4040EIZ LM4040EIM7	$T_A = T_J = 25^\circ\text{C}$		± 41		
		$T_A = T_J = T_{\text{MIN}}$ to T_{MAX}		± 60				
I_{RMIN}	Minimum Operating Current		LM4040CIM3 LM4040CIZ LM4040CIM7	$T_A = T_J = 25^\circ\text{C}$	45	60	μA	
				$T_A = T_J = T_{\text{MIN}}$ to T_{MAX}		65		
			LM4040DIM3 LM4040DIZ LM4040DIM7	$T_A = T_J = 25^\circ\text{C}$	45	65		
				$T_A = T_J = T_{\text{MIN}}$ to T_{MAX}		70		
			LM4040EIZ LM4040EIM7	$T_A = T_J = 25^\circ\text{C}$	45	65		
				$T_A = T_J = T_{\text{MIN}}$ to T_{MAX}		70		
$\Delta V_R/\Delta T$	Average Reverse Breakdown Voltage Temperature Coefficient ⁽³⁾	$I_R = 10\text{mA}$	LM4040CIM3 LM4040CIZ LM4040CIM7	$T_A = T_J = 25^\circ\text{C}$		± 20	ppm/ $^\circ\text{C}$	
				$T_A = T_J = T_{\text{MIN}}$ to T_{MAX}		± 15		
		$I_R = 1\text{mA}$	LM4040DIM3 LM4040DIZ LM4040DIM7	$T_A = T_J = 25^\circ\text{C}$		± 100		
				$T_A = T_J = T_{\text{MIN}}$ to T_{MAX}		± 15		
			LM4040EIZ LM4040EIM7	$T_A = T_J = 25^\circ\text{C}$		± 150		
				$T_A = T_J = T_{\text{MIN}}$ to T_{MAX}		± 150		
$I_R = 100\mu\text{A}$				± 15				
$\Delta V_R/\Delta I_R$	Reverse Breakdown Voltage Change with Operating Current Change ⁽⁴⁾	$I_{\text{RMIN}} \leq I_R \leq 1\text{mA}$	LM4040CIM3 LM4040CIZ LM4040CIM7	$T_A = T_J = 25^\circ\text{C}$	0.3	0.8	mV	
				$T_A = T_J = T_{\text{MIN}}$ to T_{MAX}		1		
			LM4040DIM3 LM4040DIZ LM4040DIM7	$T_A = T_J = 25^\circ\text{C}$	0.3	1		
				$T_A = T_J = T_{\text{MIN}}$ to T_{MAX}		1.2		
			LM4040EIZ LM4040EIM7	$T_A = T_J = 25^\circ\text{C}$	0.3	1		
				$T_A = T_J = T_{\text{MIN}}$ to T_{MAX}		1.2		
		$1\text{mA} \leq I_R \leq 15\text{mA}$	LM4040CIM3 LM4040CIZ LM4040CIM7	$T_A = T_J = 25^\circ\text{C}$		2.5		6
				$T_A = T_J = T_{\text{MIN}}$ to T_{MAX}		8		
			LM4040DIM3 LM4040DIZ LM4040DIM7	$T_A = T_J = 25^\circ\text{C}$		2.5		8
				$T_A = T_J = T_{\text{MIN}}$ to T_{MAX}		10		
			LM4040EIZ LM4040EIM7	$T_A = T_J = 25^\circ\text{C}$		2.5		8
				$T_A = T_J = T_{\text{MIN}}$ to T_{MAX}		10		
Z_R	Reverse Dynamic Impedance	$I_R = 1\text{mA}$, $f = 120\text{Hz}$ $I_{\text{AC}} = 0.1 I_R$	LM4040CIM3 LM4040CIZ LM4040CIM7		0.3	0.9	Ω	
			LM4040DIM3 LM4040DIZ LM4040DIM7		0.3	1.1		
			LM4040EIZ LM4040EIM7		0.3	1.1		
e_N	Wideband Noise	$I_R = 100\mu\text{A}$ $10\text{Hz} \leq f \leq 10\text{kHz}$			35		μV_{rms}	

5.6 Electrical Characteristics: 2V LM4040-N V_R Tolerance Grades 'C', 'D', And 'E'; Temperature Grade 'I' (continued)

all other limits $T_A = T_J = 25^\circ\text{C}$. The grades C, D and E designate initial Reverse Breakdown Voltage tolerances of $\pm 0.5\%$, $\pm 1\%$ and $\pm 2\%$, respectively.

PARAMETER		TEST CONDITIONS	MIN ⁽²⁾	TYP ⁽¹⁾	MAX ⁽²⁾	UNIT
ΔV_R	Reverse Breakdown Voltage Long Term Stability	t = 1000 hrs T = $25^\circ\text{C} \pm 0.1^\circ\text{C}$ $I_R = 100\mu\text{A}$		120		ppm
V_{HYST}	Thermal Hysteresis ⁽⁵⁾	$\Delta T = -40^\circ\text{C}$ to 125°C		0.08%		

- (1) Typicals are at $T_J = 25^\circ\text{C}$ and represent most likely parametric norm.
- (2) Limits are 100% production tested at 25°C . Limits over temperature are verified through correlation using Statistical Quality Control (SQC) methods. The limits are used to calculate AOQL.
- (3) The overtemperature limit for Reverse Breakdown Voltage Tolerance is defined as the room temperature Reverse Breakdown Voltage Tolerance $\pm[(\Delta V_R/\Delta T)(\max\Delta T)(V_R)]$. Where, $\Delta V_R/\Delta T$ is the V_R temperature coefficient, $\max\Delta T$ is the maximum difference in temperature from the reference point of 25°C to T_{MIN} or T_{MAX} , and V_R is the reverse breakdown voltage. The total overtemperature tolerance for the different grades in the industrial temperature range where $\max\Delta T = 65^\circ\text{C}$ is shown below:
 A-grade: $\pm 0.75\% = \pm 0.1\% \pm 100\text{ppm}/^\circ\text{C} \times 65^\circ\text{C}$
 B-grade: $\pm 0.85\% = \pm 0.2\% \pm 100\text{ppm}/^\circ\text{C} \times 65^\circ\text{C}$
 C-grade: $\pm 1.15\% = \pm 0.5\% \pm 100\text{ppm}/^\circ\text{C} \times 65^\circ\text{C}$
 D-grade: $\pm 1.98\% = \pm 1.0\% \pm 150\text{ppm}/^\circ\text{C} \times 65^\circ\text{C}$
 E-grade: $\pm 2.98\% = \pm 2.0\% \pm 150\text{ppm}/^\circ\text{C} \times 65^\circ\text{C}$
 The total overtemperature tolerance for the different grades in the extended temperature range where $\max\Delta T = 100^\circ\text{C}$ is shown below:
 C-grade: $\pm 1.5\% = \pm 0.5\% \pm 100\text{ppm}/^\circ\text{C} \times 100^\circ\text{C}$
 D-grade: $\pm 2.5\% = \pm 1.0\% \pm 150\text{ppm}/^\circ\text{C} \times 100^\circ\text{C}$
 E-grade: $\pm 3.5\% = \pm 2.0\% \pm 150\text{ppm}/^\circ\text{C} \times 100^\circ\text{C}$
 Therefore, as an example, the A-grade 2.5V LM4040-N has an overtemperature Reverse Breakdown Voltage tolerance of $\pm 2.5\text{V} \times 0.75\% = \pm 19\text{mV}$.
- (4) Load regulation is measured on pulse basis from no load to the specified load current. Output changes due to die temperature change must be taken into account separately.
- (5) Thermal hysteresis is defined as the difference in voltage measured at 25°C after cycling to temperature -40°C and the 25°C measurement after cycling to temperature 125°C .

5.7 Electrical Characteristics: 2V LM4040-N V_R Tolerance Grades 'C', 'D', And 'E'; Temperature Grade 'E'

all other limits $T_A = T_J = 25^\circ\text{C}$. The grades C, D and E designate initial Reverse Breakdown Voltage tolerances of $\pm 0.5\%$, $\pm 1\%$ and $\pm 2\%$, respectively.

PARAMETER		TEST CONDITIONS		MIN ⁽²⁾	TYP ⁽¹⁾	MAX ⁽²⁾	UNIT	
V_R	Reverse Breakdown Voltage	$I_R = 100\mu\text{A}$			2.048		V	
	Reverse Breakdown Voltage Tolerance ⁽³⁾	$I_R = 100\mu\text{A}$	LM4040CEM3	$T_A = T_J = 25^\circ\text{C}$			± 10	mV
				$T_A = T_J = T_{\text{MIN}}$ to T_{MAX}			± 30	
			LM4040DEM3	$T_A = T_J = 25^\circ\text{C}$			± 20	
				$T_A = T_J = T_{\text{MIN}}$ to T_{MAX}			± 50	
			LM4040EEM3	$T_A = T_J = 25^\circ\text{C}$			± 41	
$T_A = T_J = T_{\text{MIN}}$ to T_{MAX}						± 70		
I_{RMIN}	Minimum Operating Current		LM4040CEM3	$T_A = T_J = 25^\circ\text{C}$	45	60	μA	
				$T_A = T_J = T_{\text{MIN}}$ to T_{MAX}				68
			LM4040DEM3	$T_A = T_J = 25^\circ\text{C}$	45	65		
				$T_A = T_J = T_{\text{MIN}}$ to T_{MAX}				73
			LM4040EEM3	$T_A = T_J = 25^\circ\text{C}$	45	65		
				$T_A = T_J = T_{\text{MIN}}$ to T_{MAX}				73
$\Delta V_R/\Delta T$	Average Reverse Breakdown Voltage Temperature Coefficient ⁽³⁾	$I_R = 10\text{mA}$	LM4040CEM3	$T_A = T_J = 25^\circ\text{C}$		± 20	ppm/ $^\circ\text{C}$	
				$T_A = T_J = T_{\text{MIN}}$ to T_{MAX}				± 15
		$I_R = 1\text{mA}$	LM4040CEM3	$T_A = T_J = 25^\circ\text{C}$		± 15		
				$T_A = T_J = T_{\text{MIN}}$ to T_{MAX}				± 100
			LM4040DEM3	$T_A = T_J = 25^\circ\text{C}$		± 15		
				$T_A = T_J = T_{\text{MIN}}$ to T_{MAX}				± 150
		LM4040EEM3	$T_A = T_J = 25^\circ\text{C}$		± 15			
			$T_A = T_J = T_{\text{MIN}}$ to T_{MAX}			± 150		
$\Delta V_R/\Delta I_R$	Reverse Breakdown Voltage Change with Operating Current Change ⁽⁴⁾	$I_{\text{RMIN}} \leq I_R \leq 1\text{mA}$	LM4040CEM3	$T_A = T_J = 25^\circ\text{C}$	0.3	0.8	mV	
				$T_A = T_J = T_{\text{MIN}}$ to T_{MAX}				1
			LM4040DEM3	$T_A = T_J = 25^\circ\text{C}$	0.3	1		
				$T_A = T_J = T_{\text{MIN}}$ to T_{MAX}				1.2
			LM4040EEM3	$T_A = T_J = 25^\circ\text{C}$	0.3	1		
				$T_A = T_J = T_{\text{MIN}}$ to T_{MAX}				1.2
		$1\text{mA} \leq I_R \leq 15\text{mA}$	LM4040CEM3	$T_A = T_J = 25^\circ\text{C}$	2.5	6		
				$T_A = T_J = T_{\text{MIN}}$ to T_{MAX}				8
			LM4040DEM3	$T_A = T_J = 25^\circ\text{C}$	2.5	8		
				$T_A = T_J = T_{\text{MIN}}$ to T_{MAX}				10
			LM4040EEM3	$T_A = T_J = 25^\circ\text{C}$	2.5	8		
				$T_A = T_J = T_{\text{MIN}}$ to T_{MAX}				10
Z_R	Reverse Dynamic Impedance	$I_R = 1\text{mA}$, $f = 120\text{Hz}$, $I_{\text{AC}} = 0.1 I_R$	LM4040CEM3		0.3	0.9	Ω	
			LM4040DEM3		0.3	1.1		
			LM4040EEM3		0.3	1.1		
e_N	Wideband Noise	$I_R = 100\mu\text{A}$ $10\text{Hz} \leq f \leq 10\text{kHz}$			35		μV_{rms}	
ΔV_R	Reverse Breakdown Voltage Long Term Stability	$t = 1000\text{ hrs}$ $T = 25^\circ\text{C} \pm 0.1^\circ\text{C}$ $I_R = 100\mu\text{A}$			120		ppm	
V_{HYST}	Thermal Hysteresis ⁽⁵⁾	$\Delta T = -40^\circ\text{C}$ to 125°C			0.08%			

(1) Typicals are at $T_J = 25^\circ\text{C}$ and represent most likely parametric norm.

(2) Limits are 100% production tested at 25°C . Limits over temperature are verified through correlation using Statistical Quality Control (SQC) methods. The limits are used to calculate AOQL.

- (3) The overtemperature limit for Reverse Breakdown Voltage Tolerance is defined as the room temperature Reverse Breakdown Voltage Tolerance $\pm[(\Delta V_R/\Delta T)(\max\Delta T)(V_R)]$. Where, $\Delta V_R/\Delta T$ is the V_R temperature coefficient, $\max\Delta T$ is the maximum difference in temperature from the reference point of 25°C to T_{MIN} or T_{MAX} , and V_R is the reverse breakdown voltage. The total overtemperature tolerance for the different grades in the industrial temperature range where $\max\Delta T = 65^\circ\text{C}$ is shown below:
- A-grade: $\pm 0.75\% = \pm 0.1\% \pm 100\text{ppm}/^\circ\text{C} \times 65^\circ\text{C}$
 B-grade: $\pm 0.85\% = \pm 0.2\% \pm 100\text{ppm}/^\circ\text{C} \times 65^\circ\text{C}$
 C-grade: $\pm 1.15\% = \pm 0.5\% \pm 100\text{ppm}/^\circ\text{C} \times 65^\circ\text{C}$
 D-grade: $\pm 1.98\% = \pm 1.0\% \pm 150\text{ppm}/^\circ\text{C} \times 65^\circ\text{C}$
 E-grade: $\pm 2.98\% = \pm 2.0\% \pm 150\text{ppm}/^\circ\text{C} \times 65^\circ\text{C}$
- The total overtemperature tolerance for the different grades in the extended temperature range where $\max\Delta T = 100^\circ\text{C}$ is shown below:
- C-grade: $\pm 1.5\% = \pm 0.5\% \pm 100\text{ppm}/^\circ\text{C} \times 100^\circ\text{C}$
 D-grade: $\pm 2.5\% = \pm 1.0\% \pm 150\text{ppm}/^\circ\text{C} \times 100^\circ\text{C}$
 E-grade: $\pm 3.5\% = \pm 2.0\% \pm 150\text{ppm}/^\circ\text{C} \times 100^\circ\text{C}$
- Therefore, as an example, the A-grade 2.5V LM4040-N has an overtemperature Reverse Breakdown Voltage tolerance of $\pm 2.5\text{V} \times 0.75\% = \pm 19\text{mV}$.
- (4) Load regulation is measured on pulse basis from no load to the specified load current. Output changes due to die temperature change must be taken into account separately.
- (5) Thermal hysteresis is defined as the difference in voltage measured at 25°C after cycling to temperature -40°C and the 25°C measurement after cycling to temperature 125°C .

5.8 Electrical Characteristics: 2.5V LM4040-N V_R Tolerance Grades 'A' And 'B'; Temperature Grade 'I' (AEC Grade 3)

all other limits $T_A = T_J = 25^\circ\text{C}$. The grades A and B designate initial Reverse Breakdown Voltage tolerances of $\pm 0.1\%$ and $\pm 0.2\%$, respectively.

PARAMETER		TEST CONDITIONS		MIN ⁽²⁾	TYP ⁽¹⁾	MAX ⁽²⁾	UNIT
V_R	Reverse Breakdown Voltage	$I_R = 100\mu\text{A}$			2.5		V
	Reverse Breakdown Voltage Tolerance ⁽³⁾	$I_R = 100\mu\text{A}$	LM4040AIM3 LM4040AIZ LM4040AIM3	$T_A = T_J = 25^\circ\text{C}$		± 2.5	mV
				$T_A = T_J = T_{\text{MIN}} \text{ to } T_{\text{MAX}}$		± 19	
			LM4040BIM3 LM4040BIZ LM4040BIM7 LM4040QBIM3	$T_A = T_J = 25^\circ\text{C}$		± 5	
			$T_A = T_J = T_{\text{MIN}} \text{ to } T_{\text{MAX}}$		± 21		
$I_{R\text{MIN}}$	Minimum Operating Current			$T_A = T_J = 25^\circ\text{C}$	45	60	μA
				$T_A = T_J = T_{\text{MIN}} \text{ to } T_{\text{MAX}}$		65	
$\Delta V_R / \Delta T$	Average Reverse Breakdown Voltage Temperature Coefficient ⁽³⁾	$I_R = 10\text{mA}$				± 20	ppm/ $^\circ\text{C}$
		$I_R = 1\text{mA}$			$T_A = T_J = 25^\circ\text{C}$	± 15	
					$T_A = T_J = T_{\text{MIN}} \text{ to } T_{\text{MAX}}$	± 100	
		$I_R = 100\mu\text{A}$				± 15	
$\Delta V_R / \Delta I_R$	Reverse Breakdown Voltage Change with Operating Current Change ⁽⁴⁾	$I_{R\text{MIN}} \leq I_R \leq 1\text{mA}$	$T_A = T_J = 25^\circ\text{C}$		0.3	0.8	mV
			$T_A = T_J = T_{\text{MIN}} \text{ to } T_{\text{MAX}}$			1	
		$1\text{mA} \leq I_R \leq 15\text{mA}$	$T_A = T_J = 25^\circ\text{C}$		2.5	6	
			$T_A = T_J = T_{\text{MIN}} \text{ to } T_{\text{MAX}}$			8	
Z_R	Reverse Dynamic Impedance	$I_R = 1\text{mA}$, $f = 120\text{Hz}$, $I_{\text{AC}} = 0.1 I_R$			0.3	0.8	Ω
e_N	Wideband Noise	$I_R = 100\mu\text{A}$ $10\text{Hz} \leq f \leq 10\text{kHz}$			35		μV_{rms}
ΔV_R	Reverse Breakdown Voltage Long Term Stability	$t = 1000 \text{ hrs}$ $T = 25^\circ\text{C} \pm 0.1^\circ\text{C}$ $I_R = 100\mu\text{A}$			120		ppm
V_{HYST}	Thermal Hysteresis ⁽⁵⁾	$\Delta T = -40^\circ\text{C} \text{ to } 125^\circ\text{C}$			0.08%		

- Typicals are at $T_J = 25^\circ\text{C}$ and represent most likely parametric norm.
- Limits are 100% production tested at 25°C . Limits over temperature are verified through correlation using Statistical Quality Control (SQC) methods. The limits are used to calculate AOQL.
- The overtemperature limit for Reverse Breakdown Voltage Tolerance is defined as the room temperature Reverse Breakdown Voltage Tolerance $\pm[(\Delta V_R / \Delta T)(\text{max}\Delta T)(V_R)]$. Where, $\Delta V_R / \Delta T$ is the V_R temperature coefficient, $\text{max}\Delta T$ is the maximum difference in temperature from the reference point of 25°C to T_{MIN} or T_{MAX} , and V_R is the reverse breakdown voltage. The total overtemperature tolerance for the different grades in the industrial temperature range where $\text{max}\Delta T = 65^\circ\text{C}$ is shown below:
 A-grade: $\pm 0.75\% = \pm 0.1\% \pm 100\text{ppm}/^\circ\text{C} \times 65^\circ\text{C}$
 B-grade: $\pm 0.85\% = \pm 0.2\% \pm 100\text{ppm}/^\circ\text{C} \times 65^\circ\text{C}$
 C-grade: $\pm 1.15\% = \pm 0.5\% \pm 100\text{ppm}/^\circ\text{C} \times 65^\circ\text{C}$
 D-grade: $\pm 1.98\% = \pm 1.0\% \pm 150\text{ppm}/^\circ\text{C} \times 65^\circ\text{C}$
 E-grade: $\pm 2.98\% = \pm 2.0\% \pm 150\text{ppm}/^\circ\text{C} \times 65^\circ\text{C}$
 The total overtemperature tolerance for the different grades in the extended temperature range where $\text{max}\Delta T = 100^\circ\text{C}$ is shown below:
 C-grade: $\pm 1.5\% = \pm 0.5\% \pm 100\text{ppm}/^\circ\text{C} \times 100^\circ\text{C}$
 D-grade: $\pm 2.5\% = \pm 1.0\% \pm 150\text{ppm}/^\circ\text{C} \times 100^\circ\text{C}$
 E-grade: $\pm 3.5\% = \pm 2.0\% \pm 150\text{ppm}/^\circ\text{C} \times 100^\circ\text{C}$
 Therefore, as an example, the A-grade 2.5V LM4040-N has an overtemperature Reverse Breakdown Voltage tolerance of $\pm 2.5\text{V} \times 0.75\% = \pm 19 \text{ mV}$.
- Load regulation is measured on pulse basis from no load to the specified load current. Output changes due to die temperature change must be taken into account separately.
- Thermal hysteresis is defined as the difference in voltage measured at 25°C after cycling to temperature -40°C and the 25°C measurement after cycling to temperature 125°C .

5.9 Electrical Characteristics: 2.5V LM4040-N V_R Tolerance Grades 'C', 'D', and 'E'; Temperature Grade 'I' (AEC Grade 3)

all other limits $T_A = T_J = 25^\circ\text{C}$. The grades C, D and E designate initial Reverse Breakdown Voltage tolerances of $\pm 0.5\%$, $\pm 1\%$ and $\pm 2\%$, respectively.

PARAMETER		TEST CONDITIONS		MIN ⁽²⁾	TYP ⁽¹⁾	MAX ⁽²⁾	UNIT
V_R	Reverse Breakdown Voltage	$I_R = 100\mu\text{A}$			2.5		V
	Reverse Breakdown Voltage Tolerance ⁽³⁾	$I_R = 100\mu\text{A}$	LM4040CIZ LM4040CIM3 LM4040CIM7 LM4040QCIM3	$T_A = T_J = 25^\circ\text{C}$		± 12	mV
				$T_A = T_J = T_{\text{MIN}}$ to T_{MAX}		± 29	
			LM4040DIZ LM4040DIM3 LM4040DIM7 LM4040QDIM3	$T_A = T_J = 25^\circ\text{C}$		± 25	
				$T_A = T_J = T_{\text{MIN}}$ to T_{MAX}		± 49	
			LM4040EIZ LM4040EIM3 LM4040EIM7 LM4040QEIM3	$T_A = T_J = 25^\circ\text{C}$		± 50	
		$T_A = T_J = T_{\text{MIN}}$ to T_{MAX}		± 74			
I_{RMIN}	Minimum Operating Current	$I_R = 10\text{mA}$	LM4040CIZ LM4040CIM3 LM4040CIM7 LM4040QCIM3	$T_A = T_J = 25^\circ\text{C}$	45	60	μA
				$T_A = T_J = T_{\text{MIN}}$ to T_{MAX}		65	
			LM4040DIZ LM4040DIM3 LM4040DIM7 LM4040QDIM3	$T_A = T_J = 25^\circ\text{C}$	45	65	
				$T_A = T_J = T_{\text{MIN}}$ to T_{MAX}		70	
			LM4040EIZ LM4040EIM3 LM4040EIM7 LM4040QEIM3	$T_A = T_J = 25^\circ\text{C}$	45	65	
				$T_A = T_J = T_{\text{MIN}}$ to T_{MAX}		70	
$\Delta V_R/\Delta T$	Average Reverse Breakdown Voltage Temperature Coefficient ⁽³⁾	$I_R = 10\text{mA}$	LM4040CIZ LM4040CIM3 LM4040CIM7 LM4040QCIM3	$T_A = T_J = 25^\circ\text{C}$		± 20	ppm/ $^\circ\text{C}$
				$T_A = T_J = T_{\text{MIN}}$ to T_{MAX}		± 15	
		$I_R = 1\text{mA}$	LM4040CIZ LM4040CIM3 LM4040CIM7 LM4040QCIM3	$T_A = T_J = 25^\circ\text{C}$		± 100	
			LM4040DIZ LM4040DIM3 LM4040DIM7 LM4040QDIM3	$T_A = T_J = 25^\circ\text{C}$		± 15	
				$T_A = T_J = T_{\text{MIN}}$ to T_{MAX}		± 150	
			LM4040EIZ LM4040EIM3 LM4040EIM7 LM4040QEIM3	$T_A = T_J = 25^\circ\text{C}$		± 15	
				$T_A = T_J = T_{\text{MIN}}$ to T_{MAX}		± 150	
$I_R = 100\mu\text{A}$				± 15			

5.9 Electrical Characteristics: 2.5V LM4040-N V_R Tolerance Grades 'C', 'D', and 'E'; Temperature Grade 'I' (AEC Grade 3) (continued)

all other limits $T_A = T_J = 25^\circ\text{C}$. The grades C, D and E designate initial Reverse Breakdown Voltage tolerances of $\pm 0.5\%$, $\pm 1\%$ and $\pm 2\%$, respectively.

PARAMETER	TEST CONDITIONS		MIN ⁽²⁾	TYP ⁽¹⁾	MAX ⁽²⁾	UNIT
$\Delta V_R/\Delta I_R$ Reverse Breakdown Voltage Change with Operating Current Change ⁽⁴⁾	$I_{RMIN} \leq I_R \leq 1\text{mA}$	LM4040CIZ LM4040CIM3 LM4040CIM7 LM4040QCIM3	$T_A = T_J = 25^\circ\text{C}$	0.3	0.8	mV
			$T_A = T_J = T_{MIN}$ to T_{MAX}		1	
		LM4040DIZ LM4040DIM3 LM4040DIM7 LM4040QDIM3	$T_A = T_J = 25^\circ\text{C}$	0.3	1	
			$T_A = T_J = T_{MIN}$ to T_{MAX}		1.2	
		LM4040EIZ LM4040EIM3 LM4040EIM7 LM4040QEIM3	$T_A = T_J = 25^\circ\text{C}$	0.3	1	
			$T_A = T_J = T_{MIN}$ to T_{MAX}		1.2	
	$1\text{mA} \leq I_R \leq 15\text{mA}$	LM4040CIZ LM4040CIM3 LM4040CIM7 LM4040QCIM3	$T_A = T_J = 25^\circ\text{C}$	2.5	6	
			$T_A = T_J = T_{MIN}$ to T_{MAX}		8	
		LM4040DIZ LM4040DIM3 LM4040DIM7 LM4040QDIM3	$T_A = T_J = 25^\circ\text{C}$	2.5	8	
			$T_A = T_J = T_{MIN}$ to T_{MAX}		10	
LM4040EIZ LM4040EIM3 LM4040EIM7 LM4040QEIM3		$T_A = T_J = 25^\circ\text{C}$	2.5	8		
		$T_A = T_J = T_{MIN}$ to T_{MAX}		10		
Z_R Reverse Dynamic Impedance	$I_R = 1\text{mA}$, $f = 120\text{Hz}$ $I_{AC} = 0.1 I_R$	LM4040CIZ LM4040CIM3 LM4040CIM7 LM4040QCIM3		0.3	0.9	Ω
		LM4040DIZ LM4040DIM3 LM4040DIM7 LM4040QDIM3		0.3	1.1	
		LM4040EIZ LM4040EIM3 LM4040EIM7 LM4040QEIM3		0.3	1.1	
e_N Wideband Noise	$I_R = 100\mu\text{A}$ $10\text{Hz} \leq f \leq 10\text{kHz}$		35		μV_{rms}	
ΔV_R Reverse Breakdown Voltage Long Term Stability	$t = 1000\text{hrs}$ $T = 25^\circ\text{C} \pm 0.1^\circ\text{C}$ $I_R = 100\mu\text{A}$		120		ppm	
V_{HYST} Thermal Hysteresis ⁽⁵⁾	$\Delta T = -40^\circ\text{C}$ to 125°C		0.08%			

- Typicals are at $T_J = 25^\circ\text{C}$ and represent most likely parametric norm.
- Limits are 100% production tested at 25°C . Limits over temperature are verified through correlation using Statistical Quality Control (SQC) methods. The limits are used to calculate AOQL.
- The overtemperature limit for Reverse Breakdown Voltage Tolerance is defined as the room temperature Reverse Breakdown Voltage Tolerance $\pm[(\Delta V_R/\Delta T)(\text{max}\Delta T)(V_R)]$. Where, $\Delta V_R/\Delta T$ is the V_R temperature coefficient, $\text{max}\Delta T$ is the maximum difference in temperature from the reference point of 25°C to T_{MIN} or T_{MAX} , and V_R is the reverse breakdown voltage. The total overtemperature tolerance for the different grades in the industrial temperature range where $\text{max}\Delta T = 65^\circ\text{C}$ is shown below:
 A-grade: $\pm 0.75\% = \pm 0.1\% \pm 100\text{ppm}/^\circ\text{C} \times 65^\circ\text{C}$
 B-grade: $\pm 0.85\% = \pm 0.2\% \pm 100\text{ppm}/^\circ\text{C} \times 65^\circ\text{C}$
 C-grade: $\pm 1.15\% = \pm 0.5\% \pm 100\text{ppm}/^\circ\text{C} \times 65^\circ\text{C}$
 D-grade: $\pm 1.98\% = \pm 1.0\% \pm 150\text{ppm}/^\circ\text{C} \times 65^\circ\text{C}$
 E-grade: $\pm 2.98\% = \pm 2.0\% \pm 150\text{ppm}/^\circ\text{C} \times 65^\circ\text{C}$
 The total overtemperature tolerance for the different grades in the extended temperature range where $\text{max}\Delta T = 100^\circ\text{C}$ is shown below:
 C-grade: $\pm 1.5\% = \pm 0.5\% \pm 100\text{ppm}/^\circ\text{C} \times 100^\circ\text{C}$
 D-grade: $\pm 2.5\% = \pm 1.0\% \pm 150\text{ppm}/^\circ\text{C} \times 100^\circ\text{C}$
 E-grade: $\pm 3.5\% = \pm 2.0\% \pm 150\text{ppm}/^\circ\text{C} \times 100^\circ\text{C}$
 Therefore, as an example, the A-grade 2.5V LM4040-N has an overtemperature Reverse Breakdown Voltage tolerance of $\pm 2.5\text{V} \times 0.75\% = \pm 19\text{mV}$.

- (4) Load regulation is measured on pulse basis from no load to the specified load current. Output changes due to die temperature change must be taken into account separately.
- (5) Thermal hysteresis is defined as the difference in voltage measured at 25°C after cycling to temperature –40°C and the 25°C measurement after cycling to temperature 125°C.

5.10 Electrical Characteristics: 2.5V LM4040-N V_R Tolerance Grades 'C', 'D', And 'E'; Temperature Grade 'E' (AEC Grade 1)

all other limits $T_A = T_J = 25^\circ\text{C}$. The grades C, D and E designate initial Reverse Breakdown Voltage tolerances of $\pm 0.5\%$, $\pm 1\%$ and $\pm 2\%$, respectively.

PARAMETER		TEST CONDITIONS		MIN ⁽²⁾	TYP ⁽¹⁾	MAX ⁽²⁾	UNIT	
V_R	Reverse Breakdown Voltage	$I_R = 100\mu\text{A}$			2.5		V	
	Reverse Breakdown Voltage Tolerance ⁽³⁾	$I_R = 100\mu\text{A}$	LM4040CEM3 LM4040QCEM3	$T_A = T_J = 25^\circ\text{C}$		± 12	mV	
				$T_A = T_J = T_{\text{MIN}}$ to T_{MAX}		± 38		
			LM4040DEM3 LM4040QDEM3	$T_A = T_J = 25^\circ\text{C}$		± 25		
				$T_A = T_J = T_{\text{MIN}}$ to T_{MAX}		± 63		
		LM4040EEM3 LM4040QEEM3	$T_A = T_J = 25^\circ\text{C}$		± 50			
			$T_A = T_J = T_{\text{MIN}}$ to T_{MAX}		± 88			
I_{RMIN}	Minimum Operating Current		LM4040CEM3 LM4040QCEM3	$T_A = T_J = 25^\circ\text{C}$	45	60	μA	
				$T_A = T_J = T_{\text{MIN}}$ to T_{MAX}		68		
			LM4040DEM3 LM4040QDEM3	$T_A = T_J = 25^\circ\text{C}$	45	65		
				$T_A = T_J = T_{\text{MIN}}$ to T_{MAX}		73		
			LM4040EEM3 LM4040QEEM3	$T_A = T_J = 25^\circ\text{C}$	45	65		
			$T_A = T_J = T_{\text{MIN}}$ to T_{MAX}		73			
$\Delta V_R/\Delta T$	Average Reverse Breakdown Voltage Temperature Coefficient ⁽³⁾	$I_R = 10\text{mA}$	LM4040CEM3 LM4040QCEM3	$T_A = T_J = 25^\circ\text{C}$	± 20		ppm/ $^\circ\text{C}$	
				$T_A = T_J = T_{\text{MIN}}$ to T_{MAX}		± 15		
		$I_R = 1\text{mA}$	LM4040DEM3 LM4040QDEM3	$T_A = T_J = 25^\circ\text{C}$		± 15		
				$T_A = T_J = T_{\text{MIN}}$ to T_{MAX}		± 150		
			LM4040EEM3 LM4040QEEM3	$T_A = T_J = 25^\circ\text{C}$		± 15		
			$T_A = T_J = T_{\text{MIN}}$ to T_{MAX}		± 150			
		$I_R = 100\mu\text{A}$			± 15			
$\Delta V_R/\Delta I_R$	Reverse Breakdown Voltage Change with Operating Current Change ⁽⁴⁾	$I_{\text{RMIN}} \leq I_R \leq 1\text{mA}$	LM4040CEM3 LM4040QCEM3	$T_A = T_J = 25^\circ\text{C}$	0.3	0.8	mV	
				$T_A = T_J = T_{\text{MIN}}$ to T_{MAX}		1		
			LM4040DEM3 LM4040QDEM3	$T_A = T_J = 25^\circ\text{C}$	0.3	1		
				$T_A = T_J = T_{\text{MIN}}$ to T_{MAX}		1.2		
		$1\text{mA} \leq I_R \leq 15\text{mA}$	LM4040EEM3 LM4040QEEM3	$T_A = T_J = 25^\circ\text{C}$	0.3	1		
				$T_A = T_J = T_{\text{MIN}}$ to T_{MAX}		1.2		
			LM4040CEM3 LM4040QCEM3	$T_A = T_J = 25^\circ\text{C}$	2.5	6		
				$T_A = T_J = T_{\text{MIN}}$ to T_{MAX}		8		
			LM4040DEM3 LM4040QDEM3	$T_A = T_J = 25^\circ\text{C}$	2.5	8		
				$T_A = T_J = T_{\text{MIN}}$ to T_{MAX}		10		
		LM4040EEM3 LM4040QEEM3	$T_A = T_J = 25^\circ\text{C}$	2.5	8			
			$T_A = T_J = T_{\text{MIN}}$ to T_{MAX}		10			
Z_R	Reverse Dynamic Impedance	$I_R = 1\text{mA}$, $f = 120\text{Hz}$, $I_{\text{AC}} = 0.1 I_R$	LM4040CEM3 LM4040QCEM3		0.3	0.9	Ω	
			LM4040DEM3 LM4040QDEM3		0.3	1.1		
			LM4040EEM3 LM4040QEEM3		0.3	1.1		
ϵ_N	Wideband Noise	$I_R = 100\mu\text{A}$ $10\text{Hz} \leq f \leq 10\text{kHz}$			35		μV_{rms}	
ΔV_R	Reverse Breakdown Voltage Long Term Stability	$t = 1000\text{ hrs}$ $T = 25^\circ\text{C} \pm 0.1^\circ\text{C}$ $I_R = 100\mu\text{A}$			120		ppm	
V_{HYST}	Thermal Hysteresis ⁽⁵⁾	$\Delta T = -40^\circ\text{C}$ to 125°C			0.08%			

(1) Typicals are at $T_J = 25^\circ\text{C}$ and represent most likely parametric norm.

- (2) Limits are 100% production tested at 25°C. Limits over temperature are verified through correlation using Statistical Quality Control (SQC) methods. The limits are used to calculate AOQL.
- (3) The overtemperature limit for Reverse Breakdown Voltage Tolerance is defined as the room temperature Reverse Breakdown Voltage Tolerance $\pm[(\Delta V_R/\Delta T)(\max\Delta T)(V_R)]$. Where, $\Delta V_R/\Delta T$ is the V_R temperature coefficient, $\max\Delta T$ is the maximum difference in temperature from the reference point of 25°C to T_{MIN} or T_{MAX} , and V_R is the reverse breakdown voltage. The total overtemperature tolerance for the different grades in the industrial temperature range where $\max\Delta T = 65^\circ\text{C}$ is shown below:
- A-grade: $\pm 0.75\% = \pm 0.1\% \pm 100\text{ppm}/^\circ\text{C} \times 65^\circ\text{C}$
 B-grade: $\pm 0.85\% = \pm 0.2\% \pm 100\text{ppm}/^\circ\text{C} \times 65^\circ\text{C}$
 C-grade: $\pm 1.15\% = \pm 0.5\% \pm 100\text{ppm}/^\circ\text{C} \times 65^\circ\text{C}$
 D-grade: $\pm 1.98\% = \pm 1.0\% \pm 150\text{ppm}/^\circ\text{C} \times 65^\circ\text{C}$
 E-grade: $\pm 2.98\% = \pm 2.0\% \pm 150\text{ppm}/^\circ\text{C} \times 65^\circ\text{C}$
- The total overtemperature tolerance for the different grades in the extended temperature range where $\max\Delta T = 100^\circ\text{C}$ is shown below:
- C-grade: $\pm 1.5\% = \pm 0.5\% \pm 100\text{ppm}/^\circ\text{C} \times 100^\circ\text{C}$
 D-grade: $\pm 2.5\% = \pm 1.0\% \pm 150\text{ppm}/^\circ\text{C} \times 100^\circ\text{C}$
 E-grade: $\pm 3.5\% = \pm 2.0\% \pm 150\text{ppm}/^\circ\text{C} \times 100^\circ\text{C}$
- Therefore, as an example, the A-grade 2.5V LM4040-N has an overtemperature Reverse Breakdown Voltage tolerance of $\pm 2.5\text{V} \times 0.75\% = \pm 19\text{mV}$.
- (4) Load regulation is measured on pulse basis from no load to the specified load current. Output changes due to die temperature change must be taken into account separately.
- (5) Thermal hysteresis is defined as the difference in voltage measured at +25°C after cycling to temperature -40°C and the 25°C measurement after cycling to temperature 125°C.

5.11 Electrical Characteristics: 3V LM4040-N V_R Tolerance Grades 'A' And 'B'; Temperature Grade 'I'

all other limits $T_A = T_J = 25^\circ\text{C}$. The grades A and B designate initial Reverse Breakdown Voltage tolerances of $\pm 0.1\%$ and $\pm 0.2\%$, respectively.

PARAMETER		TEST CONDITIONS		MIN ⁽²⁾	TYP ⁽¹⁾	MAX ⁽²⁾	UNIT
V_R	Reverse Breakdown Voltage	$I_R = 100\mu\text{A}$			3		V
	Reverse Breakdown Voltage Tolerance ⁽³⁾	$I_R = 100\mu\text{A}$	LM4040AIM3 LM4040AIZ	$T_A = T_J = 25^\circ\text{C}$		± 3	mV
				$T_A = T_J = T_{\text{MIN}}$ to T_{MAX}		± 22	
			LM4040BIM3 LM4040BIZ LM4040BIM7	$T_A = T_J = 25^\circ\text{C}$		± 6	
			$T_A = T_J = T_{\text{MIN}}$ to T_{MAX}		± 26		
$I_{R\text{MIN}}$	Minimum Operating Current		$T_A = T_J = 25^\circ\text{C}$		47	62	μA
			$T_A = T_J = T_{\text{MIN}}$ to T_{MAX}			67	
$\Delta V_R / \Delta T$	Average Reverse Breakdown Voltage Temperature Coefficient ⁽³⁾	$I_R = 10\text{mA}$			± 20		ppm/ $^\circ\text{C}$
		$I_R = 1\text{mA}$	$T_A = T_J = 25^\circ\text{C}$		± 15		
			$T_A = T_J = T_{\text{MIN}}$ to T_{MAX}			± 100	
		$I_R = 100\mu\text{A}$				± 15	
$\Delta V_R / \Delta I_R$	Reverse Breakdown Voltage Change with Operating Current Change ⁽⁴⁾	$I_{R\text{MIN}} \leq I_R \leq 1\text{mA}$	$T_A = T_J = 25^\circ\text{C}$		0.6	0.8	mV
			$T_A = T_J = T_{\text{MIN}}$ to T_{MAX}			1.1	
		$1\text{mA} \leq I_R \leq 15\text{mA}$	$T_A = T_J = 25^\circ\text{C}$		2.7	6	
			$T_A = T_J = T_{\text{MIN}}$ to T_{MAX}			9	
Z_R	Reverse Dynamic Impedance	$I_R = 1\text{mA}$, $f = 120\text{Hz}$, $I_{\text{AC}} = 0.1 I_R$			0.4	0.9	Ω
e_N	Wideband Noise	$I_R = 100\mu\text{A}$ $10\text{Hz} \leq f \leq 10\text{kHz}$			35		μV_{rms}
ΔV_R	Reverse Breakdown Voltage Long Term Stability	$t = 1000$ hrs $T = 25^\circ\text{C} \pm 0.1^\circ\text{C}$ $I_R = 100\mu\text{A}$			120		ppm
V_{HYST}	Thermal Hysteresis ⁽⁵⁾	$\Delta T = -40^\circ\text{C}$ to 125°C			0.08%		

(1) Typicals are at $T_J = 25^\circ\text{C}$ and represent most likely parametric norm.

(2) Limits are 100% production tested at 25°C . Limits over temperature are verified through correlation using Statistical Quality Control (SQC) methods. The limits are used to calculate AOQL.

(3) The overtemperature limit for Reverse Breakdown Voltage Tolerance is defined as the room temperature Reverse Breakdown Voltage Tolerance $\pm[(\Delta V_R / \Delta T)(\text{max}\Delta T)(V_R)]$. Where, $\Delta V_R / \Delta T$ is the V_R temperature coefficient, $\text{max}\Delta T$ is the maximum difference in temperature from the reference point of 25°C to T_{MIN} or T_{MAX} , and V_R is the reverse breakdown voltage. The total overtemperature tolerance for the different grades in the industrial temperature range where $\text{max}\Delta T = 65^\circ\text{C}$ is shown below:

A-grade: $\pm 0.75\% = \pm 0.1\% \pm 100\text{ppm}/^\circ\text{C} \times 65^\circ\text{C}$

B-grade: $\pm 0.85\% = \pm 0.2\% \pm 100\text{ppm}/^\circ\text{C} \times 65^\circ\text{C}$

C-grade: $\pm 1.15\% = \pm 0.5\% \pm 100\text{ppm}/^\circ\text{C} \times 65^\circ\text{C}$

D-grade: $\pm 1.98\% = \pm 1.0\% \pm 150\text{ppm}/^\circ\text{C} \times 65^\circ\text{C}$

E-grade: $\pm 2.98\% = \pm 2.0\% \pm 150\text{ppm}/^\circ\text{C} \times 65^\circ\text{C}$

The total overtemperature tolerance for the different grades in the extended temperature range where $\text{max}\Delta T = 100^\circ\text{C}$ is shown below:

C-grade: $\pm 1.5\% = \pm 0.5\% \pm 100\text{ppm}/^\circ\text{C} \times 100^\circ\text{C}$

D-grade: $\pm 2.5\% = \pm 1.0\% \pm 150\text{ppm}/^\circ\text{C} \times 100^\circ\text{C}$

E-grade: $\pm 3.5\% = \pm 2.0\% \pm 150\text{ppm}/^\circ\text{C} \times 100^\circ\text{C}$

Therefore, as an example, the A-grade 2.5V LM4040-N has an overtemperature Reverse Breakdown Voltage tolerance of $\pm 2.5\text{V} \times 0.75\% = \pm 19$ mV.

(4) Load regulation is measured on pulse basis from no load to the specified load current. Output changes due to die temperature change must be taken into account separately.

(5) Thermal hysteresis is defined as the difference in voltage measured at $+25^\circ\text{C}$ after cycling to temperature -40°C and the 25°C measurement after cycling to temperature 125°C .

5.12 Electrical Characteristics: 3V LM4040-N V_R Tolerance Grades 'C', 'D', And 'E'; Temperature Grade 'I'

all other limits $T_A = T_J = 25^\circ\text{C}$. The grades C, D and E designate initial Reverse Breakdown Voltage tolerances of $\pm 0.5\%$, $\pm 1\%$ and $\pm 2\%$, respectively.

PARAMETER		TEST CONDITIONS		MIN ⁽²⁾	TYP ⁽¹⁾	MAX ⁽²⁾	UNIT	
V_R	Reverse Breakdown Voltage	$I_R = 100\mu\text{A}$			3		V	
	Reverse Breakdown Voltage Tolerance ⁽³⁾	$I_R = 100\mu\text{A}$	LM4040CIM3 LM4040CIZ LM4040CIM7	$T_A = T_J = 25^\circ\text{C}$		± 15		mV
				$T_A = T_J = T_{\text{MIN}}$ to T_{MAX}		± 34		
			LM4040DIM3 LM4040DIZ LM4040DIM7	$T_A = T_J = 25^\circ\text{C}$		± 30		
				$T_A = T_J = T_{\text{MIN}}$ to T_{MAX}		± 59		
			LM4040EIM7 LM4040EIZ	$T_A = T_J = 25^\circ\text{C}$		± 60		
		$T_A = T_J = T_{\text{MIN}}$ to T_{MAX}		± 89				
I_{RMIN}	Minimum Operating Current		LM4040CIM3 LM4040CIZ LM4040CIM7	$T_A = T_J = 25^\circ\text{C}$	45	60	μA	
				$T_A = T_J = T_{\text{MIN}}$ to T_{MAX}		65		
			LM4040DIM3 LM4040DIZ LM4040DIM7	$T_A = T_J = 25^\circ\text{C}$	45	65		
				$T_A = T_J = T_{\text{MIN}}$ to T_{MAX}		70		
			LM4040EIM7 LM4040EIZ	$T_A = T_J = 25^\circ\text{C}$	45	65		
				$T_A = T_J = T_{\text{MIN}}$ to T_{MAX}		70		
$\Delta V_R/\Delta T$	Average Reverse Breakdown Voltage Temperature Coefficient ⁽³⁾	$I_R = 10\text{mA}$			± 20		ppm/ $^\circ\text{C}$	
		$I_R = 1\text{mA}$	LM4040CIM3 LM4040CIZ LM4040CIM7	$T_A = T_J = 25^\circ\text{C}$		± 15		
				$T_A = T_J = T_{\text{MIN}}$ to T_{MAX}		± 100		
			LM4040DIM3 LM4040DIZ LM4040DIM7	$T_A = T_J = 25^\circ\text{C}$		± 15		
				$T_A = T_J = T_{\text{MIN}}$ to T_{MAX}		± 150		
			LM4040EIM7 LM4040EIZ	$T_A = T_J = 25^\circ\text{C}$		± 15		
	$T_A = T_J = T_{\text{MIN}}$ to T_{MAX}		± 150					
		$I_R = 100\mu\text{A}$			± 15			
$\Delta V_R/\Delta I_R$	Reverse Breakdown Voltage Change with Operating Current Change ⁽⁴⁾	$I_{\text{RMIN}} \leq I_R \leq 1\text{mA}$	LM4040CIM3 LM4040CIZ LM4040CIM7	$T_A = T_J = 25^\circ\text{C}$	0.4	0.8	mV	
				$T_A = T_J = T_{\text{MIN}}$ to T_{MAX}		1.1		
			LM4040DIM3 LM4040DIZ LM4040DIM7	$T_A = T_J = 25^\circ\text{C}$	0.4	1.1		
				$T_A = T_J = T_{\text{MIN}}$ to T_{MAX}		1.3		
			LM4040EIM7 LM4040EIZ	$T_A = T_J = 25^\circ\text{C}$	0.4	1.1		
				$T_A = T_J = T_{\text{MIN}}$ to T_{MAX}		1.3		
		$1\text{mA} \leq I_R \leq 15\text{mA}$	LM4040CIM3 LM4040CIZ LM4040CIM7	$T_A = T_J = 25^\circ\text{C}$	2.7	6		
				$T_A = T_J = T_{\text{MIN}}$ to T_{MAX}		9		
			LM4040DIM3 LM4040DIZ LM4040DIM7	$T_A = T_J = 25^\circ\text{C}$	2.7	8		
				$T_A = T_J = T_{\text{MIN}}$ to T_{MAX}		11		
			LM4040EIM7 LM4040EIZ	$T_A = T_J = 25^\circ\text{C}$	2.7	8		
				$T_A = T_J = T_{\text{MIN}}$ to T_{MAX}		11		
Z_R	Reverse Dynamic Impedance	$I_R = 1\text{mA}$, $f = 120\text{Hz}$ $I_{\text{AC}} = 0.1 I_R$	LM4040CIM3 LM4040CIZ LM4040CIM7		0.4	0.9	Ω	
			LM4040DIM3 LM4040DIZ LM4040DIM7		0.4	1.2		
			LM4040EIM7 LM4040EIZ		0.4	1.2		
e_N	Wideband Noise	$I_R = 100\mu\text{A}$ $10\text{Hz} \leq f \leq 10\text{kHz}$			35		μV_{rms}	

5.12 Electrical Characteristics: 3V LM4040-N V_R Tolerance Grades 'C', 'D', And 'E'; Temperature Grade 'I' (continued)

all other limits $T_A = T_J = 25^\circ\text{C}$. The grades C, D and E designate initial Reverse Breakdown Voltage tolerances of $\pm 0.5\%$, $\pm 1\%$ and $\pm 2\%$, respectively.

PARAMETER		TEST CONDITIONS	MIN ⁽²⁾	TYP ⁽¹⁾	MAX ⁽²⁾	UNIT
ΔV_R	Reverse Breakdown Voltage Long Term Stability	t = 1000 hrs T = $25^\circ\text{C} \pm 0.1^\circ\text{C}$ $I_R = 100\mu\text{A}$		120		ppm
V_{HYST}	Thermal Hysteresis ⁽⁵⁾	$\Delta T = -40^\circ\text{C}$ to 125°C		0.08%		

- (1) Typicals are at $T_J = 25^\circ\text{C}$ and represent most likely parametric norm.
- (2) Limits are 100% production tested at 25°C . Limits over temperature are verified through correlation using Statistical Quality Control (SQC) methods. The limits are used to calculate AOQL.
- (3) The overtemperature limit for Reverse Breakdown Voltage Tolerance is defined as the room temperature Reverse Breakdown Voltage Tolerance $\pm[(\Delta V_R/\Delta T)(\max\Delta T)(V_R)]$. Where, $\Delta V_R/\Delta T$ is the V_R temperature coefficient, $\max\Delta T$ is the maximum difference in temperature from the reference point of 25°C to T_{MIN} or T_{MAX} , and V_R is the reverse breakdown voltage. The total overtemperature tolerance for the different grades in the industrial temperature range where $\max\Delta T = 65^\circ\text{C}$ is shown below:
 A-grade: $\pm 0.75\% = \pm 0.1\% \pm 100\text{ppm}/^\circ\text{C} \times 65^\circ\text{C}$
 B-grade: $\pm 0.85\% = \pm 0.2\% \pm 100\text{ppm}/^\circ\text{C} \times 65^\circ\text{C}$
 C-grade: $\pm 1.15\% = \pm 0.5\% \pm 100\text{ppm}/^\circ\text{C} \times 65^\circ\text{C}$
 D-grade: $\pm 1.98\% = \pm 1.0\% \pm 150\text{ppm}/^\circ\text{C} \times 65^\circ\text{C}$
 E-grade: $\pm 2.98\% = \pm 2.0\% \pm 150\text{ppm}/^\circ\text{C} \times 65^\circ\text{C}$
 The total overtemperature tolerance for the different grades in the extended temperature range where $\max\Delta T = 100^\circ\text{C}$ is shown below:
 C-grade: $\pm 1.5\% = \pm 0.5\% \pm 100\text{ppm}/^\circ\text{C} \times 100^\circ\text{C}$
 D-grade: $\pm 2.5\% = \pm 1.0\% \pm 150\text{ppm}/^\circ\text{C} \times 100^\circ\text{C}$
 E-grade: $\pm 3.5\% = \pm 2.0\% \pm 150\text{ppm}/^\circ\text{C} \times 100^\circ\text{C}$
 Therefore, as an example, the A-grade 2.5V LM4040-N has an overtemperature Reverse Breakdown Voltage tolerance of $\pm 2.5\text{V} \times 0.75\% = \pm 19\text{mV}$.
- (4) Load regulation is measured on pulse basis from no load to the specified load current. Output changes due to die temperature change must be taken into account separately.
- (5) Thermal hysteresis is defined as the difference in voltage measured at $+25^\circ\text{C}$ after cycling to temperature -40°C and the 25°C measurement after cycling to temperature 125°C .

5.13 Electrical Characteristics: 3V LM4040-N V_R Tolerance Grades 'C', 'D', And 'E'; Temperature Grade 'E'

all other limits $T_A = T_J = 25^\circ\text{C}$. The grades C, D and E designate initial Reverse Breakdown Voltage tolerances of $\pm 0.5\%$, $\pm 1\%$ and $\pm 2\%$, respectively.

PARAMETER		TEST CONDITIONS		MIN ⁽²⁾	TYP ⁽¹⁾	MAX ⁽²⁾	UNIT
V_R	Reverse Breakdown Voltage	$I_R = 100\mu\text{A}$			3		V
	Reverse Breakdown Voltage Tolerance ⁽³⁾	$I_R = 100\mu\text{A}$	LM4040CEM3	$T_A = T_J = 25^\circ\text{C}$		± 15	mV
				$T_A = T_J = T_{\text{MIN}}$ to T_{MAX}		± 45	
			LM4040DEM3	$T_A = T_J = 25^\circ\text{C}$		± 30	
				$T_A = T_J = T_{\text{MIN}}$ to T_{MAX}		± 75	
LM4040EEM3	$T_A = T_J = 25^\circ\text{C}$		± 60				
	$T_A = T_J = T_{\text{MIN}}$ to T_{MAX}		± 105				
I_{RMIN}	Minimum Operating Current	$I_R = 10\text{mA}$	LM4040CEM3	$T_A = T_J = 25^\circ\text{C}$	47	62	μA
				$T_A = T_J = T_{\text{MIN}}$ to T_{MAX}		70	
			LM4040DEM3	$T_A = T_J = 25^\circ\text{C}$	47	67	
				$T_A = T_J = T_{\text{MIN}}$ to T_{MAX}		75	
			LM4040EEM3	$T_A = T_J = 25^\circ\text{C}$	47	67	
				$T_A = T_J = T_{\text{MIN}}$ to T_{MAX}		75	
$\Delta V_R/\Delta T$	Average Reverse Breakdown Voltage Temperature Coefficient ⁽³⁾	$I_R = 10\text{mA}$	LM4040CEM3	$T_A = T_J = 25^\circ\text{C}$	± 20	ppm/ $^\circ\text{C}$	
				$T_A = T_J = T_{\text{MIN}}$ to T_{MAX}	± 15		
		$I_R = 1\text{mA}$	LM4040DEM3	$T_A = T_J = 25^\circ\text{C}$	± 15		
				$T_A = T_J = T_{\text{MIN}}$ to T_{MAX}	± 150		
			LM4040EEM3	$T_A = T_J = 25^\circ\text{C}$	± 15		
				$T_A = T_J = T_{\text{MIN}}$ to T_{MAX}	± 150		
		$I_R = 100\mu\text{A}$		± 15			
$\Delta V_R/\Delta I_R$	Reverse Breakdown Voltage Change with Operating Current Change ⁽⁴⁾	$I_{\text{RMIN}} \leq I_R \leq 1\text{mA}$	LM4040CEM3	$T_A = T_J = 25^\circ\text{C}$	0.4	0.8	
				$T_A = T_J = T_{\text{MIN}}$ to T_{MAX}		1.1	
			LM4040DEM3	$T_A = T_J = 25^\circ\text{C}$	0.4	1.1	
				$T_A = T_J = T_{\text{MIN}}$ to T_{MAX}		1.3	
			LM4040EEM3	$T_A = T_J = 25^\circ\text{C}$	0.4	1.1	
				$T_A = T_J = T_{\text{MIN}}$ to T_{MAX}		1.3	
		$1\text{mA} \leq I_R \leq 15\text{mA}$	LM4040CEM3	$T_A = T_J = 25^\circ\text{C}$	2.7	6.0	
				$T_A = T_J = T_{\text{MIN}}$ to T_{MAX}		9	
			LM4040DEM3	$T_A = T_J = 25^\circ\text{C}$	2.7	8	
				$T_A = T_J = T_{\text{MIN}}$ to T_{MAX}		11.0	
			LM4040EEM3	$T_A = T_J = 25^\circ\text{C}$	2.7	8	
				$T_A = T_J = T_{\text{MIN}}$ to T_{MAX}		11.0	
Z_R	Reverse Dynamic Impedance	$I_R = 1\text{mA}$, $f = 120\text{Hz}$, $I_{\text{AC}} = 0.1 I_R$	LM4040CEM3	0.4	0.9	Ω	
			LM4040DEM3	0.4	1.2		
			LM4040EEM3	0.4	1.2		
e_N	Wideband Noise	$I_R = 100\mu\text{A}$ $10\text{Hz} \leq f \leq 10\text{kHz}$		35		μV_{rms}	
ΔV_R	Reverse Breakdown Voltage Long Term Stability	$t = 1000\text{ hrs}$ $T = 25^\circ\text{C} \pm 0.1^\circ\text{C}$ $I_R = 100\mu\text{A}$		120		ppm	
V_{HYST}	Thermal Hysteresis ⁽⁵⁾	$\Delta T = -40^\circ\text{C}$ to 125°C		0.08%			

(1) Typicals are at $T_J = 25^\circ\text{C}$ and represent most likely parametric norm.

(2) Limits are 100% production tested at 25°C . Limits over temperature are verified through correlation using Statistical Quality Control (SQC) methods. The limits are used to calculate AOQL.

- (3) The (overtemperature) limit for Reverse Breakdown Voltage Tolerance is defined as the room temperature Reverse Breakdown Voltage Tolerance $\pm[(\Delta V_R/\Delta T)(\max\Delta T)(V_R)]$. Where, $\Delta V_R/\Delta T$ is the V_R temperature coefficient, $\max\Delta T$ is the maximum difference in temperature from the reference point of 25°C to T_{MIN} or T_{MAX} , and V_R is the reverse breakdown voltage. The total overtemperature tolerance for the different grades in the industrial temperature range where $\max\Delta T = 65^\circ\text{C}$ is shown below:
- A-grade: $\pm 0.75\% = \pm 0.1\% \pm 100\text{ppm}/^\circ\text{C} \times 65^\circ\text{C}$
 B-grade: $\pm 0.85\% = \pm 0.2\% \pm 100\text{ppm}/^\circ\text{C} \times 65^\circ\text{C}$
 C-grade: $\pm 1.15\% = \pm 0.5\% \pm 100\text{ppm}/^\circ\text{C} \times 65^\circ\text{C}$
 D-grade: $\pm 1.98\% = \pm 1.0\% \pm 150\text{ppm}/^\circ\text{C} \times 65^\circ\text{C}$
 E-grade: $\pm 2.98\% = \pm 2.0\% \pm 150\text{ppm}/^\circ\text{C} \times 65^\circ\text{C}$
- The total overtemperature tolerance for the different grades in the extended temperature range where $\max\Delta T = 100^\circ\text{C}$ is shown below:
- C-grade: $\pm 1.5\% = \pm 0.5\% \pm 100\text{ppm}/^\circ\text{C} \times 100^\circ\text{C}$
 D-grade: $\pm 2.5\% = \pm 1.0\% \pm 150\text{ppm}/^\circ\text{C} \times 100^\circ\text{C}$
 E-grade: $\pm 3.5\% = \pm 2.0\% \pm 150\text{ppm}/^\circ\text{C} \times 100^\circ\text{C}$
- Therefore, as an example, the A-grade 2.5V LM4040-N has an overtemperature Reverse Breakdown Voltage tolerance of $\pm 2.5\text{V} \times 0.75\% = \pm 19\text{mV}$.
- (4) Load regulation is measured on pulse basis from no load to the specified load current. Output changes due to die temperature change must be taken into account separately.
- (5) Thermal hysteresis is defined as the difference in voltage measured at +25°C after cycling to temperature -40°C and the 25°C measurement after cycling to temperature 125°C.

5.14 Electrical Characteristics: 4.1V LM4040-N V_R Tolerance Grades 'A' And 'B'; Temperature Grade 'I'

all other limits $T_A = T_J = 25^\circ\text{C}$. The grades A and B designate initial Reverse Breakdown Voltage tolerances of $\pm 0.1\%$ and $\pm 0.2\%$, respectively.

PARAMETER		TEST CONDITIONS		MIN ⁽²⁾	TYP ⁽¹⁾	MAX ⁽²⁾	UNIT
V_R	Reverse Breakdown Voltage	$I_R = 100\mu\text{A}$			4.096		V
	Reverse Breakdown Voltage Tolerance ⁽³⁾	$I_R = 100\mu\text{A}$	LM4040AIM3 LM4040AIZ	$T_A = T_J = 25^\circ\text{C}$		± 4.1	mV
				$T_A = T_J = T_{\text{MIN}} \text{ to } T_{\text{MAX}}$		± 31	
			LM4040BIM3 LM4040BIZ LM4040BIM7	$T_A = T_J = 25^\circ\text{C}$		± 8.2	
			$T_A = T_J = T_{\text{MIN}} \text{ to } T_{\text{MAX}}$		± 35		
I_{RMIN}	Minimum Operating Current		$T_A = T_J = 25^\circ\text{C}$		50	68	μA
			$T_A = T_J = T_{\text{MIN}} \text{ to } T_{\text{MAX}}$			73	
$\Delta V_R / \Delta T$	Average Reverse Breakdown Voltage Temperature Coefficient ⁽³⁾	$I_R = 10\text{mA}$			± 30		ppm/ $^\circ\text{C}$
		$I_R = 1\text{mA}$	$T_A = T_J = 25^\circ\text{C}$		± 20		
			$T_A = T_J = T_{\text{MIN}} \text{ to } T_{\text{MAX}}$			± 100	
$I_R = 100\mu\text{A}$				± 20			
$\Delta V_R / \Delta I_R$	Reverse Breakdown Voltage Change with Operating Current Change ⁽⁴⁾	$I_{\text{RMIN}} \leq I_R \leq 1\text{mA}$	$T_A = T_J = 25^\circ\text{C}$		0.5	0.9	mV
			$T_A = T_J = T_{\text{MIN}} \text{ to } T_{\text{MAX}}$			1.2	
		$1\text{mA} \leq I_R \leq 15\text{mA}$	$T_A = T_J = 25^\circ\text{C}$		3	7	
			$T_A = T_J = T_{\text{MIN}} \text{ to } T_{\text{MAX}}$			10	
Z_R	Reverse Dynamic Impedance	$I_R = 1\text{mA}, f = 120\text{Hz}, I_{\text{AC}} = 0.1 I_R$			0.5	1	Ω
e_N	Wideband Noise	$I_R = 100\mu\text{A}$ $10\text{Hz} \leq f \leq 10\text{kHz}$			80		μV_{rms}
ΔV_R	Reverse Breakdown Voltage Long Term Stability	$t = 1000 \text{ hrs}$ $T = 25^\circ\text{C} \pm 0.1^\circ\text{C}$ $I_R = 100\mu\text{A}$			120		ppm
V_{HYST}	Thermal Hysteresis ⁽⁵⁾	$\Delta T = -40^\circ\text{C} \text{ to } 125^\circ\text{C}$			0.08%		

- (1) Typicals are at $T_J = 25^\circ\text{C}$ and represent most likely parametric norm.
- (2) Limits are 100% production tested at 25°C . Limits over temperature are verified through correlation using Statistical Quality Control (SQC) methods. The limits are used to calculate AOQL.
- (3) The (overtemperature) limit for Reverse Breakdown Voltage Tolerance is defined as the room temperature Reverse Breakdown Voltage Tolerance $\pm [(\Delta V_R / \Delta T)(\text{max}\Delta T)(V_R)]$. Where, $\Delta V_R / \Delta T$ is the V_R temperature coefficient, $\text{max}\Delta T$ is the maximum difference in temperature from the reference point of 25°C to T_{MIN} or T_{MAX} , and V_R is the reverse breakdown voltage. The total overtemperature tolerance for the different grades in the industrial temperature range where $\text{max}\Delta T = 65^\circ\text{C}$ is shown below:
 A-grade: $\pm 0.75\% = \pm 0.1\% \pm 100\text{ppm}/^\circ\text{C} \times 65^\circ\text{C}$
 B-grade: $\pm 0.85\% = \pm 0.2\% \pm 100\text{ppm}/^\circ\text{C} \times 65^\circ\text{C}$
 C-grade: $\pm 1.15\% = \pm 0.5\% \pm 100\text{ppm}/^\circ\text{C} \times 65^\circ\text{C}$
 D-grade: $\pm 1.98\% = \pm 1.0\% \pm 150\text{ppm}/^\circ\text{C} \times 65^\circ\text{C}$
 E-grade: $\pm 2.98\% = \pm 2.0\% \pm 150\text{ppm}/^\circ\text{C} \times 65^\circ\text{C}$
 The total overtemperature tolerance for the different grades in the extended temperature range where $\text{max}\Delta T = 100^\circ\text{C}$ is shown below:
 C-grade: $\pm 1.5\% = \pm 0.5\% \pm 100\text{ppm}/^\circ\text{C} \times 100^\circ\text{C}$
 D-grade: $\pm 2.5\% = \pm 1.0\% \pm 150\text{ppm}/^\circ\text{C} \times 100^\circ\text{C}$
 E-grade: $\pm 3.5\% = \pm 2.0\% \pm 150\text{ppm}/^\circ\text{C} \times 100^\circ\text{C}$
 Therefore, as an example, the A-grade 2.5V LM4040-N has an overtemperature Reverse Breakdown Voltage tolerance of $\pm 2.5\text{V} \times 0.75\% = \pm 19 \text{ mV}$.
- (4) Load regulation is measured on pulse basis from no load to the specified load current. Output changes due to die temperature change must be taken into account separately.
- (5) Thermal hysteresis is defined as the difference in voltage measured at $+25^\circ\text{C}$ after cycling to temperature -40°C and the 25°C measurement after cycling to temperature 125°C .

5.15 Electrical Characteristics: 4.1V LM4040-N V_R Tolerance Grades 'C' and 'D'; Temperature Grade 'I'

all other limits $T_A = T_J = 25^\circ\text{C}$. The grades C and D designate initial Reverse Breakdown Voltage tolerances of $\pm 0.5\%$ and $\pm 1\%$, respectively.

PARAMETER		TEST CONDITIONS		MIN ⁽²⁾	TYP ⁽¹⁾	MAX ⁽²⁾	UNIT	
V_R	Reverse Breakdown Voltage	$I_R = 100\mu\text{A}$			4.096		V	
	Reverse Breakdown Voltage Tolerance ⁽³⁾	$I_R = 100\mu\text{A}$	LM4040CIM3 LM4040CIZ LM4040CIM7	$T_A = T_J = 25^\circ\text{C}$		± 20	mV	
				$T_A = T_J = T_{\text{MIN}}$ to T_{MAX}		± 47		
			LM4040DIM3 LM4040DIZ LM4040DIM7	$T_A = T_J = 25^\circ\text{C}$		± 41		
			$T_A = T_J = T_{\text{MIN}}$ to T_{MAX}		± 81			
$I_{R\text{MIN}}$	Minimum Operating Current		LM4040CIM3 LM4040CIZ LM4040CIM7	$T_A = T_J = 25^\circ\text{C}$		50	μA	
				$T_A = T_J = T_{\text{MIN}}$ to T_{MAX}		73		
			LM4040DIM3 LM4040DIZ LM4040DIM7	$T_A = T_J = 25^\circ\text{C}$		50		73
				$T_A = T_J = T_{\text{MIN}}$ to T_{MAX}		78		
$\frac{\Delta V_R}{\Delta T}$	Average Reverse Breakdown Voltage Temperature Coefficient ⁽³⁾	$I_R = 10\text{mA}$			± 30		ppm/ $^\circ\text{C}$	
		$I_R = 1\text{mA}$	LM4040CIM3 LM4040CIZ LM4040CIM7	$T_A = T_J = 25^\circ\text{C}$		± 20		± 100
				$T_A = T_J = T_{\text{MIN}}$ to T_{MAX}				
			LM4040DIM3 LM4040DIZ LM4040DIM7	$T_A = T_J = 25^\circ\text{C}$		± 20		± 150
				$T_A = T_J = T_{\text{MIN}}$ to T_{MAX}				
$I_R = 100\mu\text{A}$				± 20				
$\frac{\Delta V_R}{\Delta I_R}$	Reverse Breakdown Voltage Change with Operating Current Change ⁽⁴⁾	$I_{R\text{MIN}} \leq I_R \leq 1\text{mA}$	LM4040CIM3 LM4040CIZ LM4040CIM7	$T_A = T_J = 25^\circ\text{C}$	0.5	0.9	mV	
				$T_A = T_J = T_{\text{MIN}}$ to T_{MAX}		1.2		
			LM4040DIM3 LM4040DIZ LM4040DIM7	$T_A = T_J = 25^\circ\text{C}$	0.5	1.2		
				$T_A = T_J = T_{\text{MIN}}$ to T_{MAX}		1.5		
		$1\text{mA} \leq I_R \leq 15\text{mA}$	LM4040CIM3 LM4040CIZ LM4040CIM7	$T_A = T_J = 25^\circ\text{C}$	3	7		
				$T_A = T_J = T_{\text{MIN}}$ to T_{MAX}		10		
			LM4040DIM3 LM4040DIZ LM4040DIM7	$T_A = T_J = 25^\circ\text{C}$	3	9		
				$T_A = T_J = T_{\text{MIN}}$ to T_{MAX}		13		
Z_R	Reverse Dynamic Impedance	$I_R = 1\text{mA}$, $f = 120\text{Hz}$, $I_{AC} = 0.1 I_R$	LM4040CIM3 LM4040CIZ LM4040CIM7		0.5	1	Ω	
			LM4040DIM3 LM4040DIZ LM4040DIM7		0.5	1.3		
e_N	Wideband Noise	$I_R = 100\mu\text{A}$ $10\text{Hz} \leq f \leq 10\text{kHz}$			80		μV_{rms}	
ΔV_R	Reverse Breakdown Voltage Long Term Stability	$t = 1000\text{hrs}$ $T = 25^\circ\text{C} \pm 0.1^\circ\text{C}$ $I_R = 100\mu\text{A}$			120		ppm	
V_{HYST}	Thermal Hysteresis ⁽⁵⁾	$\Delta T = -40^\circ\text{C}$ to 125°C			0.08%			

(1) Typicals are at $T_J = 25^\circ\text{C}$ and represent most likely parametric norm.

(2) Limits are 100% production tested at 25°C . Limits over temperature are verified through correlation using Statistical Quality Control (SQC) methods. The limits are used to calculate AOQL.

(3) The (overtemperature) limit for Reverse Breakdown Voltage Tolerance is defined as the room temperature Reverse Breakdown Voltage Tolerance $\pm[(\Delta V_R/\Delta T)(\text{max}\Delta T)(V_R)]$. Where, $\Delta V_R/\Delta T$ is the V_R temperature coefficient, $\text{max}\Delta T$ is the maximum difference in temperature from the reference point of 25°C to T_{MIN} or T_{MAX} , and V_R is the reverse breakdown voltage. The total overtemperature tolerance for the different grades in the industrial temperature range where $\text{max}\Delta T = 65^\circ\text{C}$ is shown below:

A-grade: $\pm 0.75\% = \pm 0.1\% \pm 100\text{ppm}/^\circ\text{C} \times 65^\circ\text{C}$

B-grade: $\pm 0.85\% = \pm 0.2\% \pm 100\text{ppm}/^\circ\text{C} \times 65^\circ\text{C}$

C-grade: $\pm 1.15\% = \pm 0.5\% \pm 100\text{ppm}/^\circ\text{C} \times 65^\circ\text{C}$

D-grade: $\pm 1.98\% = \pm 1.0\% \pm 150\text{ppm}/^\circ\text{C} \times 65^\circ\text{C}$

E-grade: $\pm 2.98\% = \pm 2.0\% \pm 150\text{ppm}/^\circ\text{C} \times 65^\circ\text{C}$

The total overtemperature tolerance for the different grades in the extended temperature range where $\max \Delta T = 100^\circ\text{C}$ is shown below:

C-grade: $\pm 1.5\% = \pm 0.5\% \pm 100\text{ppm}/^\circ\text{C} \times 100^\circ\text{C}$

D-grade: $\pm 2.5\% = \pm 1.0\% \pm 150\text{ppm}/^\circ\text{C} \times 100^\circ\text{C}$

E-grade: $\pm 3.5\% = \pm 2.0\% \pm 150\text{ppm}/^\circ\text{C} \times 100^\circ\text{C}$

Therefore, as an example, the A-grade 2.5V LM4040-N has an overtemperature Reverse Breakdown Voltage tolerance of $\pm 2.5\text{V} \times 0.75\% = \pm 19\text{ mV}$.

- (4) Load regulation is measured on pulse basis from no load to the specified load current. Output changes due to die temperature change must be taken into account separately.
- (5) Thermal hysteresis is defined as the difference in voltage measured at $+25^\circ\text{C}$ after cycling to temperature -40°C and the 25°C measurement after cycling to temperature 125°C .

5.16 Electrical Characteristics: 5V LM4040-N V_R Tolerance Grades 'A' And 'B'; Temperature Grade 'I'

all other limits $T_A = T_J = 25^\circ\text{C}$. The grades A and B designate initial Reverse Breakdown Voltage tolerances of $\pm 0.1\%$ and $\pm 0.2\%$, respectively.

PARAMETER		TEST CONDITIONS		MIN ⁽²⁾	TYP ⁽¹⁾	MAX ⁽²⁾	UNIT
V_R	Reverse Breakdown Voltage	$I_R = 100\mu\text{A}$			5		V
	Reverse Breakdown Voltage Tolerance ⁽³⁾	$I_R = 100\mu\text{A}$	LM4040AIM3 LM4040AIZ	$T_A = T_J = 25^\circ\text{C}$		± 5	mV
				$T_A = T_J = T_{\text{MIN}}$ to T_{MAX}		± 38	
			LM4040BIM3 LM4040BIZ LM4040BIM7	$T_A = T_J = 25^\circ\text{C}$		± 10	
			$T_A = T_J = T_{\text{MIN}}$ to T_{MAX}		± 43		
I_{RMIN}	Minimum Operating Current			$T_A = T_J = 25^\circ\text{C}$	54	74	μA
				$T_A = T_J = T_{\text{MIN}}$ to T_{MAX}		80	
$\Delta V_R / \Delta T$	Average Reverse Breakdown Voltage Temperature Coefficient ⁽³⁾	$I_R = 10\text{mA}$		$T_A = T_J = 25^\circ\text{C}$	± 30		ppm/ $^\circ\text{C}$
				$T_A = T_J = 25^\circ\text{C}$	± 20		
				$T_A = T_J = T_{\text{MIN}}$ to T_{MAX}		± 100	
$\Delta V_R / \Delta I_R$	Reverse Breakdown Voltage Change with Operating Current Change ⁽⁴⁾	$I_{\text{RMIN}} \leq I_R \leq 1\text{mA}$		$T_A = T_J = 25^\circ\text{C}$	0.5	1	mV
				$T_A = T_J = T_{\text{MIN}}$ to T_{MAX}		1.4	
		$1\text{mA} \leq I_R \leq 15\text{mA}$		$T_A = T_J = 25^\circ\text{C}$	3.5	8	
				$T_A = T_J = T_{\text{MIN}}$ to T_{MAX}		12	
Z_R	Reverse Dynamic Impedance	$I_R = 1\text{mA}$, $f = 120\text{Hz}$, $I_{\text{AC}} = 0.1 I_R$			0.5	1.1	Ω
e_N	Wideband Noise	$I_R = 100\mu\text{A}$ $10\text{Hz} \leq f \leq 10\text{kHz}$			80		μV_{rms}
ΔV_R	Reverse Breakdown Voltage Long Term Stability	$t = 1000\text{hrs}$ $T = 25^\circ\text{C} \pm 0.1^\circ\text{C}$ $I_R = 100\mu\text{A}$			120		ppm
V_{HYST}	Thermal Hysteresis ⁽⁵⁾	$\Delta T = -40^\circ\text{C}$ to 125°C			0.08%		

(1) Typicals are at $T_J = 25^\circ\text{C}$ and represent most likely parametric norm.

(2) Limits are 100% production tested at 25°C . Limits over temperature are verified through correlation using Statistical Quality Control (SQC) methods. The limits are used to calculate AOQL.

(3) The (overtemperature) limit for Reverse Breakdown Voltage Tolerance is defined as the room temperature Reverse Breakdown Voltage Tolerance $\pm[(\Delta V_R / \Delta T)(\text{max}\Delta T)(V_R)]$. Where, $\Delta V_R / \Delta T$ is the V_R temperature coefficient, $\text{max}\Delta T$ is the maximum difference in temperature from the reference point of 25°C to T_{MIN} or T_{MAX} , and V_R is the reverse breakdown voltage. The total overtemperature tolerance for the different grades in the industrial temperature range where $\text{max}\Delta T = 65^\circ\text{C}$ is shown below:

A-grade: $\pm 0.75\% = \pm 0.1\% \pm 100\text{ppm}/^\circ\text{C} \times 65^\circ\text{C}$

B-grade: $\pm 0.85\% = \pm 0.2\% \pm 100\text{ppm}/^\circ\text{C} \times 65^\circ\text{C}$

C-grade: $\pm 1.15\% = \pm 0.5\% \pm 100\text{ppm}/^\circ\text{C} \times 65^\circ\text{C}$

D-grade: $\pm 1.98\% = \pm 1.0\% \pm 150\text{ppm}/^\circ\text{C} \times 65^\circ\text{C}$

E-grade: $\pm 2.98\% = \pm 2.0\% \pm 150\text{ppm}/^\circ\text{C} \times 65^\circ\text{C}$

The total overtemperature tolerance for the different grades in the extended temperature range where $\text{max}\Delta T = 100^\circ\text{C}$ is shown below:

C-grade: $\pm 1.5\% = \pm 0.5\% \pm 100\text{ppm}/^\circ\text{C} \times 100^\circ\text{C}$

D-grade: $\pm 2.5\% = \pm 1.0\% \pm 150\text{ppm}/^\circ\text{C} \times 100^\circ\text{C}$

E-grade: $\pm 3.5\% = \pm 2.0\% \pm 150\text{ppm}/^\circ\text{C} \times 100^\circ\text{C}$

Therefore, as an example, the A-grade 2.5V LM4040-N has an overtemperature Reverse Breakdown Voltage tolerance of $\pm 2.5\text{V} \times 0.75\% = \pm 19\text{mV}$.

(4) Load regulation is measured on pulse basis from no load to the specified load current. Output changes due to die temperature change must be taken into account separately.

(5) Thermal hysteresis is defined as the difference in voltage measured at $+25^\circ\text{C}$ after cycling to temperature -40°C and the 25°C measurement after cycling to temperature 125°C .

5.17 Electrical Characteristics: 5V LM4040-N V_R Tolerance Grades 'C' And 'D'; Temperature Grade 'I'

all other limits $T_A = T_J = 25^\circ\text{C}$. The grades C and D designate initial Reverse Breakdown Voltage tolerances of $\pm 0.5\%$ and $\pm 1\%$, respectively.

PARAMETER		TEST CONDITIONS		MIN ⁽²⁾	TYP ⁽¹⁾	MAX ⁽²⁾	UNIT	
V_R	Reverse Breakdown Voltage	$I_R = 100\mu\text{A}$			5		V	
	Reverse Breakdown Voltage Tolerance ⁽³⁾	$I_R = 100\mu\text{A}$	LM4040CIM3 LM4040CIZ LM4040CIM7	$T_A = T_J = 25^\circ\text{C}$		± 25	mV	
				$T_A = T_J = T_{\text{MIN}}$ to T_{MAX}		± 58		
			LM4040DIM3 LM4040DIZ LM4040DIM7	$T_A = T_J = 25^\circ\text{C}$		± 50		
			$T_A = T_J = T_{\text{MIN}}$ to T_{MAX}		± 99			
$I_{R\text{MIN}}$	Minimum Operating Current		LM4040CIM3 LM4040CIZ LM4040CIM7	$T_A = T_J = 25^\circ\text{C}$	54	74	μA	
				$T_A = T_J = T_{\text{MIN}}$ to T_{MAX}		80		
			LM4040DIM3 LM4040DIZ LM4040DIM7	$T_A = T_J = 25^\circ\text{C}$	54	79		
				$T_A = T_J = T_{\text{MIN}}$ to T_{MAX}		85		
$\frac{\Delta V_R}{\Delta T}$	Average Reverse Breakdown Voltage Temperature Coefficient ⁽³⁾	$I_R = 10\text{mA}$			± 30		ppm/ $^\circ\text{C}$	
		$I_R = 1\text{mA}$	LM4040CIM3 LM4040CIZ LM4040CIM7	$T_A = T_J = 25^\circ\text{C}$		± 20		
				$T_A = T_J = T_{\text{MIN}}$ to T_{MAX}		± 100		
			LM4040DIM3 LM4040DIZ LM4040DIM7	$T_A = T_J = 25^\circ\text{C}$		± 20		
				$T_A = T_J = T_{\text{MIN}}$ to T_{MAX}		± 150		
$I_R = 100\mu\text{A}$				± 20				
$\frac{\Delta V_R}{\Delta I_R}$	Reverse Breakdown Voltage Change with Operating Current Change ⁽⁴⁾	$I_{R\text{MIN}} \leq I_R \leq 1\text{mA}$	LM4040CIM3 LM4040CIZ LM4040CIM7	$T_A = T_J = 25^\circ\text{C}$	0.5	1	mV	
				$T_A = T_J = T_{\text{MIN}}$ to T_{MAX}		1.4		
			LM4040DIM3 LM4040DIZ LM4040DIM7	$T_A = T_J = 25^\circ\text{C}$	0.5	1.3		
				$T_A = T_J = T_{\text{MIN}}$ to T_{MAX}		1.8		
		$1\text{mA} \leq I_R \leq 15\text{mA}$	LM4040CIM3 LM4040CIZ LM4040CIM7	$T_A = T_J = 25^\circ\text{C}$	3.5	8		
				$T_A = T_J = T_{\text{MIN}}$ to T_{MAX}		12		
			LM4040DIM3 LM4040DIZ LM4040DIM7	$T_A = T_J = 25^\circ\text{C}$	3.5	10		
				$T_A = T_J = T_{\text{MIN}}$ to T_{MAX}		15		
Z_R	Reverse Dynamic Impedance	$I_R = 1\text{mA}$, $f = 120\text{Hz}$, $I_{AC} = 0.1 I_R$	$T_A = T_J = 25^\circ\text{C}$		0.5	1.1	Ω	
			$T_A = T_J = T_{\text{MIN}}$ to T_{MAX}			1.5		
e_N	Wideband Noise	$I_R = 100\mu\text{A}$ $10\text{Hz} \leq f \leq 10\text{kHz}$			80		μV_{rms}	
ΔV_R	Reverse Breakdown Voltage Long Term Stability	$t = 1000\text{ hrs}$ $T = 25^\circ\text{C} \pm 0.1^\circ\text{C}$ $I_R = 100\mu\text{A}$			120		ppm	
V_{HYST}	Thermal Hysteresis ⁽⁵⁾	$\Delta T = -40^\circ\text{C}$ to 125°C			0.08%			

- (1) Typicals are at $T_J = 25^\circ\text{C}$ and represent most likely parametric norm.
- (2) Limits are 100% production tested at 25°C . Limits over temperature are verified through correlation using Statistical Quality Control (SQC) methods. The limits are used to calculate AOQL.
- (3) The (overtemperature) limit for Reverse Breakdown Voltage Tolerance is defined as the room temperature Reverse Breakdown Voltage Tolerance $\pm[(\Delta V_R/\Delta T)(\text{max}\Delta T)(V_R)]$. Where, $\Delta V_R/\Delta T$ is the V_R temperature coefficient, $\text{max}\Delta T$ is the maximum difference in temperature from the reference point of 25°C to T_{MIN} or T_{MAX} , and V_R is the reverse breakdown voltage. The total overtemperature tolerance for the different grades in the industrial temperature range where $\text{max}\Delta T = 65^\circ\text{C}$ is shown below:
 A-grade: $\pm 0.75\% = \pm 0.1\% \pm 100\text{ppm}/^\circ\text{C} \times 65^\circ\text{C}$
 B-grade: $\pm 0.85\% = \pm 0.2\% \pm 100\text{ppm}/^\circ\text{C} \times 65^\circ\text{C}$
 C-grade: $\pm 1.15\% = \pm 0.5\% \pm 100\text{ppm}/^\circ\text{C} \times 65^\circ\text{C}$
 D-grade: $\pm 1.98\% = \pm 1.0\% \pm 150\text{ppm}/^\circ\text{C} \times 65^\circ\text{C}$
 E-grade: $\pm 2.98\% = \pm 2.0\% \pm 150\text{ppm}/^\circ\text{C} \times 65^\circ\text{C}$
 The total overtemperature tolerance for the different grades in the extended temperature range where $\text{max}\Delta T = 100^\circ\text{C}$ is shown below:
 C-grade: $\pm 1.5\% = \pm 0.5\% \pm 100\text{ppm}/^\circ\text{C} \times 100^\circ\text{C}$

LM4040-N, LM4040-N-Q1SNOS633N – DECEMBER 1991 – REVISED AUGUST 2025

D-grade: $\pm 2.5\% = \pm 1.0\% \pm 150\text{ppm}/^\circ\text{C} \times 100^\circ\text{C}$ E-grade: $\pm 3.5\% = \pm 2.0\% \pm 150\text{ppm}/^\circ\text{C} \times 100^\circ\text{C}$ Therefore, as an example, the A-grade 2.5V LM4040-N has an overtemperature Reverse Breakdown Voltage tolerance of $\pm 2.5\text{V} \times 0.75\% = \pm 19\text{ mV}$.

- (4) Load regulation is measured on pulse basis from no load to the specified load current. Output changes due to die temperature change must be taken into account separately.
- (5) Thermal hysteresis is defined as the difference in voltage measured at $+25^\circ\text{C}$ after cycling to temperature -40°C and the 25°C measurement after cycling to temperature 125°C .

5.18 Electrical Characteristics: 5V LM4040-N V_R Tolerance Grades 'C' And 'D'; Temperature Grade 'E'

all other limits $T_A = T_J = 25^\circ\text{C}$. The grades C and D designate initial Reverse Breakdown Voltage tolerances of $\pm 0.5\%$ and $\pm 1\%$, respectively.

PARAMETER		TEST CONDITIONS		MIN ⁽¹⁾	TYP	MAX ⁽¹⁾	UNIT
V_R	Reverse Breakdown Voltage	$I_R = 100\mu\text{A}$			5		V
	Reverse Breakdown Voltage Tolerance ⁽²⁾	$I_R = 100\mu\text{A}$	LM4040CEM3	$T_A = T_J = 25^\circ\text{C}$		± 25	mV
				$T_A = T_J = T_{\text{MIN}} \text{ to } T_{\text{MAX}}$		± 75	
			LM4040DEM3	$T_A = T_J = 25^\circ\text{C}$		± 50	
				$T_A = T_J = T_{\text{MIN}} \text{ to } T_{\text{MAX}}$		± 125	
I_{RMIN}	Minimum Operating Current		LM4040CEM3	$T_A = T_J = 25^\circ\text{C}$	54	74	μA
				$T_A = T_J = T_{\text{MIN}} \text{ to } T_{\text{MAX}}$		83	
			LM4040DEM3	$T_A = T_J = 25^\circ\text{C}$	54	79	
				$T_A = T_J = T_{\text{MIN}} \text{ to } T_{\text{MAX}}$		88	
$\Delta V_R / \Delta T$	Average Reverse Breakdown Voltage Temperature Coefficient ⁽²⁾	$I_R = 10\text{mA}$			± 30		ppm/ $^\circ\text{C}$
		$I_R = 1\text{mA}$	LM4040CEM3	$T_A = T_J = 25^\circ\text{C}$		± 20	
				$T_A = T_J = T_{\text{MIN}} \text{ to } T_{\text{MAX}}$		± 100	
			LM4040DEM3	$T_A = T_J = 25^\circ\text{C}$		± 20	
				$T_A = T_J = T_{\text{MIN}} \text{ to } T_{\text{MAX}}$		± 150	
$I_R = 100\mu\text{A}$				± 20			
$\Delta V_R / \Delta I_R$	Reverse Breakdown Voltage Change with Operating Current Change ⁽³⁾	$I_{\text{RMIN}} \leq I_R \leq 1\text{mA}$	LM4040CEM3	$T_A = T_J = 25^\circ\text{C}$	0.5	1	mV
				$T_A = T_J = T_{\text{MIN}} \text{ to } T_{\text{MAX}}$		1.4	
			LM4040DEM3	$T_A = T_J = 25^\circ\text{C}$	0.5	1	
				$T_A = T_J = T_{\text{MIN}} \text{ to } T_{\text{MAX}}$		1.8	
		$1\text{mA} \leq I_R \leq 15\text{mA}$	LM4040CEM3	$T_A = T_J = 25^\circ\text{C}$	3.5	8	
				$T_A = T_J = T_{\text{MIN}} \text{ to } T_{\text{MAX}}$		12	
			LM4040DEM3	$T_A = T_J = 25^\circ\text{C}$	3.5	8	
				$T_A = T_J = T_{\text{MIN}} \text{ to } T_{\text{MAX}}$		15	
Z_R	Reverse Dynamic Impedance	$I_R = 1\text{mA}, f = 120\text{Hz}, I_{\text{AC}} = 0.1 I_R$			0.5	1.1	Ω
e_N	Wideband Noise	$I_R = 100\mu\text{A}$ $10\text{Hz} \leq f \leq 10\text{kHz}$			80		μV_{rms}
ΔV_R	Reverse Breakdown Voltage Long Term Stability	$t = 1000 \text{ hrs}$ $T = 25^\circ\text{C} \pm 0.1^\circ\text{C}$ $I_R = 100\mu\text{A}$			120		ppm
V_{HYST}	Thermal Hysteresis ⁽⁴⁾	$\Delta T = -40^\circ\text{C} \text{ to } 125^\circ\text{C}$			0.08%		

(1) Limits are 100% production tested at 25°C . Limits over temperature are verified through correlation using Statistical Quality Control (SQC) methods. The limits are used to calculate AOQL.

(2) The (overtemperature) limit for Reverse Breakdown Voltage Tolerance is defined as the room temperature Reverse Breakdown Voltage Tolerance $\pm [(\Delta V_R / \Delta T)(\text{max} \Delta T)(V_R)]$. Where, $\Delta V_R / \Delta T$ is the V_R temperature coefficient, $\text{max} \Delta T$ is the maximum difference in temperature from the reference point of 25°C to T_{MIN} or T_{MAX} , and V_R is the reverse breakdown voltage. The total overtemperature tolerance for the different grades in the industrial temperature range where $\text{max} \Delta T = 65^\circ\text{C}$ is shown below:

A-grade: $\pm 0.75\% = \pm 0.1\% \pm 100\text{ppm}/^\circ\text{C} \times 65^\circ\text{C}$

B-grade: $\pm 0.85\% = \pm 0.2\% \pm 100\text{ppm}/^\circ\text{C} \times 65^\circ\text{C}$

C-grade: $\pm 1.15\% = \pm 0.5\% \pm 100\text{ppm}/^\circ\text{C} \times 65^\circ\text{C}$

D-grade: $\pm 1.98\% = \pm 1.0\% \pm 150\text{ppm}/^\circ\text{C} \times 65^\circ\text{C}$

E-grade: $\pm 2.98\% = \pm 2.0\% \pm 150\text{ppm}/^\circ\text{C} \times 65^\circ\text{C}$

The total overtemperature tolerance for the different grades in the extended temperature range where $\text{max} \Delta T = 100^\circ\text{C}$ is shown below:

C-grade: $\pm 1.5\% = \pm 0.5\% \pm 100\text{ppm}/^\circ\text{C} \times 100^\circ\text{C}$

D-grade: $\pm 2.5\% = \pm 1.0\% \pm 150\text{ppm}/^\circ\text{C} \times 100^\circ\text{C}$

E-grade: $\pm 3.5\% = \pm 2.0\% \pm 150\text{ppm}/^\circ\text{C} \times 100^\circ\text{C}$

Therefore, as an example, the A-grade 2.5V LM4040-N has an overtemperature Reverse Breakdown Voltage tolerance of $\pm 2.5\text{V} \times 0.75\% = \pm 19 \text{ mV}$.

(3) Load regulation is measured on pulse basis from no load to the specified load current. Output changes due to die temperature change must be taken into account separately.

- (4) Thermal hysteresis is defined as the difference in voltage measured at +25°C after cycling to temperature -40°C and the 25°C measurement after cycling to temperature 125°C.

5.19 Electrical Characteristics: 8.2V LM4040-N V_R Tolerance Grades 'A' And 'B'; Temperature Grade 'I'

all other limits $T_A = T_J = 25^\circ\text{C}$. The grades A and B designate initial Reverse Breakdown Voltage tolerances of $\pm 0.1\%$ and $\pm 0.2\%$, respectively.

PARAMETER		TEST CONDITIONS		MIN ⁽²⁾	TYP ⁽¹⁾	MAX ⁽²⁾	UNIT
V_R	Reverse Breakdown Voltage	$I_R = 150\mu\text{A}$			8.192		V
	Reverse Breakdown Voltage Tolerance ⁽³⁾	$I_R = 150\mu\text{A}$	LM4040AIM3 LM4040AIZ	$T_A = T_J = 25^\circ\text{C}$		± 8.2	mV
				$T_A = T_J = T_{\text{MIN}}$ to T_{MAX}		± 61	
			LM4040BIM3 LM4040BIZ	$T_A = T_J = 25^\circ\text{C}$		± 16	
			$T_A = T_J = T_{\text{MIN}}$ to T_{MAX}		± 70		
I_{RMIN}	Minimum Operating Current		$T_A = T_J = 25^\circ\text{C}$		67	91	μA
			$T_A = T_J = T_{\text{MIN}}$ to T_{MAX}			95	
$\Delta V_R/\Delta T$	Average Reverse Breakdown Voltage Temperature Coefficient ⁽³⁾	$I_R = 10\text{mA}$			± 40		ppm/ $^\circ\text{C}$
		$I_R = 1\text{mA}$	$T_A = T_J = 25^\circ\text{C}$		± 20		
			$T_A = T_J = T_{\text{MIN}}$ to T_{MAX}			± 100	
$I_R = 150\mu\text{A}$				± 20			
$\Delta V_R/\Delta I_R$	Reverse Breakdown Voltage Change with Operating Current Change ⁽⁴⁾	$I_{\text{RMIN}} \leq I_R \leq 1\text{mA}$	$T_A = T_J = 25^\circ\text{C}$		0.6	1.3	mV
			$T_A = T_J = T_{\text{MIN}}$ to T_{MAX}			2.5	
		$1\text{mA} \leq I_R \leq 15\text{mA}$	$T_A = T_J = 25^\circ\text{C}$		7	10	
			$T_A = T_J = T_{\text{MIN}}$ to T_{MAX}			18	
Z_R	Reverse Dynamic Impedance	$I_R = 1\text{mA}$, $f = 120\text{Hz}$, $I_{\text{AC}} = 0.1 I_R$			0.6	1.5	Ω
e_N	Wideband Noise	$I_R = 150\mu\text{A}$ $10\text{Hz} \leq f \leq 10\text{kHz}$			130		μV_{rms}
ΔV_R	Reverse Breakdown Voltage Long Term Stability	$t = 1000\text{hrs}$ $T = 25^\circ\text{C} \pm 0.1^\circ\text{C}$ $I_R = 150\mu\text{A}$			120		ppm
V_{HYST}	Thermal Hysteresis ⁽⁵⁾	$\Delta T = -40^\circ\text{C}$ to 125°C			0.08%		

- Typicals are at $T_J = 25^\circ\text{C}$ and represent most likely parametric norm.
- Limits are 100% production tested at 25°C . Limits over temperature are verified through correlation using Statistical Quality Control (SQC) methods. The limits are used to calculate AOQL.
- The (overtemperature) limit for Reverse Breakdown Voltage Tolerance is defined as the room temperature Reverse Breakdown Voltage Tolerance $\pm[(\Delta V_R/\Delta T)(\text{max}\Delta T)(V_R)]$. Where, $\Delta V_R/\Delta T$ is the V_R temperature coefficient, $\text{max}\Delta T$ is the maximum difference in temperature from the reference point of 25°C to T_{MIN} or T_{MAX} , and V_R is the reverse breakdown voltage. The total overtemperature tolerance for the different grades in the industrial temperature range where $\text{max}\Delta T = 65^\circ\text{C}$ is shown below:
 A-grade: $\pm 0.75\% = \pm 0.1\% \pm 100\text{ppm}/^\circ\text{C} \times 65^\circ\text{C}$
 B-grade: $\pm 0.85\% = \pm 0.2\% \pm 100\text{ppm}/^\circ\text{C} \times 65^\circ\text{C}$
 C-grade: $\pm 1.15\% = \pm 0.5\% \pm 100\text{ppm}/^\circ\text{C} \times 65^\circ\text{C}$
 D-grade: $\pm 1.98\% = \pm 1.0\% \pm 150\text{ppm}/^\circ\text{C} \times 65^\circ\text{C}$
 E-grade: $\pm 2.98\% = \pm 2.0\% \pm 150\text{ppm}/^\circ\text{C} \times 65^\circ\text{C}$
 The total overtemperature tolerance for the different grades in the extended temperature range where $\text{max}\Delta T = 100^\circ\text{C}$ is shown below:
 C-grade: $\pm 1.5\% = \pm 0.5\% \pm 100\text{ppm}/^\circ\text{C} \times 100^\circ\text{C}$
 D-grade: $\pm 2.5\% = \pm 1.0\% \pm 150\text{ppm}/^\circ\text{C} \times 100^\circ\text{C}$
 E-grade: $\pm 3.5\% = \pm 2.0\% \pm 150\text{ppm}/^\circ\text{C} \times 100^\circ\text{C}$
 Therefore, as an example, the A-grade 2.5V LM4040-N has an overtemperature Reverse Breakdown Voltage tolerance of $\pm 2.5\% \times 0.75\% = \pm 19\text{mV}$.
- Load regulation is measured on pulse basis from no load to the specified load current. Output changes due to die temperature change must be taken into account separately.
- Thermal hysteresis is defined as the difference in voltage measured at $+25^\circ\text{C}$ after cycling to temperature -40°C and the 25°C measurement after cycling to temperature 125°C .

5.20 Electrical Characteristics: 8.2V Lm4040-N V_R Tolerance Grades 'C' And 'D'; Temperature Grade 'I'

all other limits $T_A = T_J = 25^\circ\text{C}$. The grades C and D designate initial Reverse Breakdown Voltage tolerances of $\pm 0.5\%$ and $\pm 1\%$, respectively.

PARAMETER		TEST CONDITIONS		MIN ⁽²⁾	TYP ⁽¹⁾	MAX ⁽²⁾	UNIT
V_R	Reverse Breakdown Voltage	$I_R = 150\mu\text{A}$			8.192		V
	Reverse Breakdown Voltage Tolerance ⁽³⁾	$I_R = 150\mu\text{A}$	LM4040CIM3 LM4040CIZ	$T_A = T_J = 25^\circ\text{C}$		± 41	mV
				$T_A = T_J = T_{\text{MIN}} \text{ to } T_{\text{MAX}}$		± 94	
			LM4040DIM3 LM4040DIZ	$T_A = T_J = 25^\circ\text{C}$		± 82	
			$T_A = T_J = T_{\text{MIN}} \text{ to } T_{\text{MAX}}$		± 162		
$I_{R\text{MIN}}$	Minimum Operating Current		LM4040CIM3 LM4040CIZ	$T_A = T_J = 25^\circ\text{C}$	67	91	μA
				$T_A = T_J = T_{\text{MIN}} \text{ to } T_{\text{MAX}}$		95	
			LM4040DIM3 LM4040DIZ	$T_A = T_J = 25^\circ\text{C}$	67	96	
				$T_A = T_J = T_{\text{MIN}} \text{ to } T_{\text{MAX}}$		100	
$\Delta V_R / \Delta T$	Average Reverse Breakdown Voltage Temperature Coefficient ⁽³⁾	$I_R = 10\text{mA}$			± 40		ppm/ $^\circ\text{C}$
		$I_R = 1\text{mA}$	LM4040CIM3 LM4040CIZ	$T_A = T_J = 25^\circ\text{C}$	± 20		
				$T_A = T_J = T_{\text{MIN}} \text{ to } T_{\text{MAX}}$		± 100	
			LM4040DIM3 LM4040DIZ	$T_A = T_J = 25^\circ\text{C}$	± 20		
				$T_A = T_J = T_{\text{MIN}} \text{ to } T_{\text{MAX}}$		± 150	
$I_R = 150\mu\text{A}$			± 20				
$\Delta V_R / \Delta I_R$	Reverse Breakdown Voltage Change with Operating Current Change ⁽⁴⁾	$I_{R\text{MIN}} \leq I_R \leq 1\text{mA}$	LM4040CIM3 LM4040CIZ	$T_A = T_J = 25^\circ\text{C}$	0.6	1.3	mV
				$T_A = T_J = T_{\text{MIN}} \text{ to } T_{\text{MAX}}$		2.5	
			LM4040DIM3 LM4040DIZ	$T_A = T_J = 25^\circ\text{C}$	0.6	1.7	
				$T_A = T_J = T_{\text{MIN}} \text{ to } T_{\text{MAX}}$		3	
		$1\text{mA} \leq I_R \leq 15\text{mA}$	LM4040CIM3 LM4040CIZ	$T_A = T_J = 25^\circ\text{C}$	7	10	
				$T_A = T_J = T_{\text{MIN}} \text{ to } T_{\text{MAX}}$		18	
			LM4040DIM3 LM4040DIZ	$T_A = T_J = 25^\circ\text{C}$	7	15	
				$T_A = T_J = T_{\text{MIN}} \text{ to } T_{\text{MAX}}$		24	
Z_R	Reverse Dynamic Impedance	$I_R = 1\text{mA}$, $f = 120\text{Hz}$, $I_{\text{AC}} = 0.1 I_R$	LM4040CIM3 LM4040CIZ		0.6	1.5	Ω
			LM4040DIM3 LM4040DIZ		0.6	1.9	
e_N	Wideband Noise	$I_R = 150\mu\text{A}$ $10\text{Hz} \leq f \leq 10\text{kHz}$			130		μV_{rms}
ΔV_R	Reverse Breakdown Voltage Long Term Stability	$t = 1000 \text{ hrs}$ $T = 25^\circ\text{C} \pm 0.1^\circ\text{C}$ $I_R = 150\mu\text{A}$			120		ppm
V_{HYST}	Thermal Hysteresis ⁽⁵⁾	$\Delta T = -40^\circ\text{C} \text{ to } 125^\circ\text{C}$			0.08%		

(1) Typicals are at $T_J = 25^\circ\text{C}$ and represent most likely parametric norm.

(2) Limits are 100% production tested at 25°C . Limits over temperature are verified through correlation using Statistical Quality Control (SQC) methods. The limits are used to calculate AOQL.

(3) The (overtemperature) limit for Reverse Breakdown Voltage Tolerance is defined as the room temperature Reverse Breakdown Voltage Tolerance $\pm[(\Delta V_R / \Delta T)(\text{max}\Delta T)(V_R)]$. Where, $\Delta V_R / \Delta T$ is the V_R temperature coefficient, $\text{max}\Delta T$ is the maximum difference in temperature from the reference point of 25°C to T_{MIN} or T_{MAX} , and V_R is the reverse breakdown voltage. The total overtemperature tolerance for the different grades in the industrial temperature range where $\text{max}\Delta T = 65^\circ\text{C}$ is shown below:

A-grade: $\pm 0.75\% = \pm 0.1\% \pm 100\text{ppm}/^\circ\text{C} \times 65^\circ\text{C}$

B-grade: $\pm 0.85\% = \pm 0.2\% \pm 100\text{ppm}/^\circ\text{C} \times 65^\circ\text{C}$

C-grade: $\pm 1.15\% = \pm 0.5\% \pm 100\text{ppm}/^\circ\text{C} \times 65^\circ\text{C}$

D-grade: $\pm 1.98\% = \pm 1.0\% \pm 150\text{ppm}/^\circ\text{C} \times 65^\circ\text{C}$

E-grade: $\pm 2.98\% = \pm 2.0\% \pm 150\text{ppm}/^\circ\text{C} \times 65^\circ\text{C}$

The total overtemperature tolerance for the different grades in the extended temperature range where $\text{max}\Delta T = 100^\circ\text{C}$ is shown below:

C-grade: $\pm 1.5\% = \pm 0.5\% \pm 100\text{ppm}/^\circ\text{C} \times 100^\circ\text{C}$

D-grade: $\pm 2.5\% = \pm 1.0\% \pm 150\text{ppm}/^\circ\text{C} \times 100^\circ\text{C}$

E-grade: $\pm 3.5\% = \pm 2.0\% \pm 150\text{ppm}/^\circ\text{C} \times 100^\circ\text{C}$

Therefore, as an example, the A-grade 2.5V LM4040-N has an overtemperature Reverse Breakdown Voltage tolerance of $\pm 2.5V \times 0.75\% = \pm 19\text{ mV}$.

- (4) Load regulation is measured on pulse basis from no load to the specified load current. Output changes due to die temperature change must be taken into account separately.
- (5) Thermal hysteresis is defined as the difference in voltage measured at +25°C after cycling to temperature -40°C and the 25°C measurement after cycling to temperature 125°C.

5.21 Electrical Characteristics: 10V LM4040-N V_R Tolerance Grades 'A' And 'B'; Temperature Grade 'I'

all other limits $T_A = T_J = 25^\circ\text{C}$. The grades A and B designate initial Reverse Breakdown Voltage tolerances of $\pm 0.1\%$ and $\pm 0.2\%$, respectively.

PARAMETER		TEST CONDITIONS		MIN ⁽²⁾	TYP ⁽¹⁾	MAX ⁽²⁾	UNIT
V_R	Reverse Breakdown Voltage	$I_R = 150\mu\text{A}$			10		V
	Reverse Breakdown Voltage Tolerance ⁽³⁾	$I_R = 150\mu\text{A}$	LM4040AIM3	$T_A = T_J = 25^\circ\text{C}$		± 10	mV
			LM4040AIZ	$T_A = T_J = T_{\text{MIN}} \text{ to } T_{\text{MAX}}$		± 75	
			LM4040BIM3	$T_A = T_J = 25^\circ\text{C}$		± 20	
			LM4040BIZ	$T_A = T_J = T_{\text{MIN}} \text{ to } T_{\text{MAX}}$		± 85	
I_{RMIN}	Minimum Operating Current		$T_A = T_J = 25^\circ\text{C}$		75	100	μA
			$T_A = T_J = T_{\text{MIN}} \text{ to } T_{\text{MAX}}$			103	
$\Delta V_R/\Delta T$	Average Reverse Breakdown Voltage Temperature Coefficient ⁽³⁾	$I_R = 10\text{mA}$			± 40		ppm/ $^\circ\text{C}$
		$I_R = 1\text{mA}$	$T_A = T_J = 25^\circ\text{C}$		± 20		
			$T_A = T_J = T_{\text{MIN}} \text{ to } T_{\text{MAX}}$			± 100	
		$I_R = 150\mu\text{A}$			± 20		
$\Delta V_R/\Delta I_R$	Reverse Breakdown Voltage Change with Operating Current Change ⁽⁴⁾	$I_{\text{RMIN}} \leq I_R \leq 1\text{mA}$	$T_A = T_J = 25^\circ\text{C}$		0.8	1.5	mV
			$T_A = T_J = T_{\text{MIN}} \text{ to } T_{\text{MAX}}$			3.8	
		$1\text{mA} \leq I_R \leq 15\text{mA}$	$T_A = T_J = 25^\circ\text{C}$		8	12	
			$T_A = T_J = T_{\text{MIN}} \text{ to } T_{\text{MAX}}$			23	
Z_R	Reverse Dynamic Impedance	$I_R = 1\text{mA}$, $f = 120\text{Hz}$, $I_{\text{AC}} = 0.1 I_R$			0.7	1.7	Ω
e_N	Wideband Noise	$I_R = 150\mu\text{A}$ $10\text{Hz} \leq f \leq 10\text{kHz}$			180		μV_{rms}
ΔV_R	Reverse Breakdown Voltage Long Term Stability	$t = 1000\text{ hrs}$ $T = 25^\circ\text{C} \pm 0.1^\circ\text{C}$ $I_R = 150\mu\text{A}$			120		ppm
V_{HYST}	Thermal Hysteresis ⁽⁵⁾	$\Delta T = -40^\circ\text{C} \text{ to } 125^\circ\text{C}$			0.08%		

- (1) Typicals are at $T_J = 25^\circ\text{C}$ and represent most likely parametric norm.
- (2) Limits are 100% production tested at 25°C. Limits over temperature are verified through correlation using Statistical Quality Control (SQC) methods. The limits are used to calculate AOQL.
- (3) The (overtemperature) limit for Reverse Breakdown Voltage Tolerance is defined as the room temperature Reverse Breakdown Voltage Tolerance $\pm[(\Delta V_R/\Delta T)(\text{max}\Delta T)(V_R)]$. Where, $\Delta V_R/\Delta T$ is the V_R temperature coefficient, $\text{max}\Delta T$ is the maximum difference in temperature from the reference point of 25°C to T_{MIN} or T_{MAX} , and V_R is the reverse breakdown voltage. The total overtemperature tolerance for the different grades in the industrial temperature range where $\text{max}\Delta T = 65^\circ\text{C}$ is shown below:
 A-grade: $\pm 0.75\% = \pm 0.1\% \pm 100\text{ppm}/^\circ\text{C} \times 65^\circ\text{C}$
 B-grade: $\pm 0.85\% = \pm 0.2\% \pm 100\text{ppm}/^\circ\text{C} \times 65^\circ\text{C}$
 C-grade: $\pm 1.15\% = \pm 0.5\% \pm 100\text{ppm}/^\circ\text{C} \times 65^\circ\text{C}$
 D-grade: $\pm 1.98\% = \pm 1.0\% \pm 150\text{ppm}/^\circ\text{C} \times 65^\circ\text{C}$
 E-grade: $\pm 2.98\% = \pm 2.0\% \pm 150\text{ppm}/^\circ\text{C} \times 65^\circ\text{C}$
 The total overtemperature tolerance for the different grades in the extended temperature range where $\text{max}\Delta T = 100^\circ\text{C}$ is shown below:
 C-grade: $\pm 1.5\% = \pm 0.5\% \pm 100\text{ppm}/^\circ\text{C} \times 100^\circ\text{C}$
 D-grade: $\pm 2.5\% = \pm 1.0\% \pm 150\text{ppm}/^\circ\text{C} \times 100^\circ\text{C}$
 E-grade: $\pm 3.5\% = \pm 2.0\% \pm 150\text{ppm}/^\circ\text{C} \times 100^\circ\text{C}$
 Therefore, as an example, the A-grade 2.5V LM4040-N has an overtemperature Reverse Breakdown Voltage tolerance of $\pm 2.5V \times 0.75\% = \pm 19\text{ mV}$.
- (4) Load regulation is measured on pulse basis from no load to the specified load current. Output changes due to die temperature change must be taken into account separately.
- (5) Thermal hysteresis is defined as the difference in voltage measured at +25°C after cycling to temperature -40°C and the 25°C measurement after cycling to temperature 125°C.

5.22 Electrical Characteristics: 10V LM4040-N V_R Tolerance Grades 'C' And 'D'; Temperature Grade 'I'

all other limits $T_A = T_J = 25^\circ\text{C}$. The grades C and D designate initial Reverse Breakdown Voltage tolerances of $\pm 0.5\%$ and $\pm 1\%$, respectively.

PARAMETER		TEST CONDITIONS		MIN ⁽²⁾	TYP ⁽¹⁾	MAX ⁽²⁾	UNIT
V_R	Reverse Breakdown Voltage	$I_R = 150\mu\text{A}$			10		V
	Reverse Breakdown Voltage Tolerance ⁽³⁾	$I_R = 150\mu\text{A}$	LM4040CIM3	$T_A = T_J = 25^\circ\text{C}$		± 50	mV
			LM4040CIZ	$T_A = T_J = T_{\text{MIN}}$ to T_{MAX}		± 115	
			LM4040DIM3	$T_A = T_J = 25^\circ\text{C}$		± 100	
LM4040DIZ	$T_A = T_J = T_{\text{MIN}}$ to T_{MAX}		± 198				
I_{RMIN}	Minimum Operating Current		LM4040CIM3	$T_A = T_J = 25^\circ\text{C}$	75	100	μA
			LM4040CIZ	$T_A = T_J = T_{\text{MIN}}$ to T_{MAX}		103	
			LM4040DIM3	$T_A = T_J = 25^\circ\text{C}$	75	110	
			LM4040DIZ	$T_A = T_J = T_{\text{MIN}}$ to T_{MAX}		113	
$\Delta V_R/\Delta T$	Average Reverse Breakdown Voltage Temperature Coefficient ⁽³⁾	$I_R = 10\text{mA}$			± 40		ppm/ $^\circ\text{C}$
		$I_R = 1\text{mA}$	LM4040CIM3	$T_A = T_J = 25^\circ\text{C}$		± 20	
			LM4040CIZ	$T_A = T_J = T_{\text{MIN}}$ to T_{MAX}		± 100	
			LM4040DIM3	$T_A = T_J = 25^\circ\text{C}$		± 20	
		LM4040DIZ	$T_A = T_J = T_{\text{MIN}}$ to T_{MAX}		± 150		
$I_R = 150\mu\text{A}$				± 20			
$\Delta V_R/\Delta I_R$	Reverse Breakdown Voltage Change with Operating Current Change ⁽⁴⁾	$I_{\text{RMIN}} \leq I_R \leq 1\text{mA}$	LM4040CIM3	$T_A = T_J = 25^\circ\text{C}$	0.8	1.5	mV
			LM4040CIZ	$T_A = T_J = T_{\text{MIN}}$ to T_{MAX}		3.8	
			LM4040DIM3	$T_A = T_J = 25^\circ\text{C}$	0.8	2	
			LM4040DIZ	$T_A = T_J = T_{\text{MIN}}$ to T_{MAX}		4	
		$1\text{mA} \leq I_R \leq 15\text{mA}$	LM4040CIM3	$T_A = T_J = 25^\circ\text{C}$	8	12	
			LM4040CIZ	$T_A = T_J = T_{\text{MIN}}$ to T_{MAX}		23	
LM4040DIM3	$T_A = T_J = 25^\circ\text{C}$	8	18				
LM4040DIZ	$T_A = T_J = T_{\text{MIN}}$ to T_{MAX}		29				
Z_R	Reverse Dynamic Impedance	$I_R = 1\text{mA}$, $f = 120\text{Hz}$, $I_{\text{AC}} = 0.1 I_R$	LM4040CIM3		0.7	1.7	Ω
			LM4040CIZ				
			LM4040DIM3			2.3	
			LM4040DIZ				
e_N	Wideband Noise	$I_R = 150\mu\text{A}$ $10\text{Hz} \leq f \leq 10\text{kHz}$			180		μV_{rms}
ΔV_R	Reverse Breakdown Voltage Long Term Stability	$t = 1000\text{ hrs}$ $T = 25^\circ\text{C} \pm 0.1^\circ\text{C}$ $I_R = 150\mu\text{A}$			120		ppm
V_{HYST}	Thermal Hysteresis ⁽⁵⁾	$\Delta T = -40^\circ\text{C}$ to 125°C			0.08%		

(1) Typicals are at $T_J = 25^\circ\text{C}$ and represent most likely parametric norm.

(2) Limits are 100% production tested at 25°C . Limits over temperature are verified through correlation using Statistical Quality Control (SQC) methods. The limits are used to calculate AOQL.

(3) The (overtemperature) limit for Reverse Breakdown Voltage Tolerance is defined as the room temperature Reverse Breakdown Voltage Tolerance $\pm[(\Delta V_R/\Delta T)(\text{max}\Delta T)(V_R)]$. Where, $\Delta V_R/\Delta T$ is the V_R temperature coefficient, $\text{max}\Delta T$ is the maximum difference in temperature from the reference point of 25°C to T_{MIN} or T_{MAX} , and V_R is the reverse breakdown voltage. The total overtemperature tolerance for the different grades in the industrial temperature range where $\text{max}\Delta T = 65^\circ\text{C}$ is shown below:

A-grade: $\pm 0.75\% = \pm 0.1\% \pm 100\text{ppm}/^\circ\text{C} \times 65^\circ\text{C}$

B-grade: $\pm 0.85\% = \pm 0.2\% \pm 100\text{ppm}/^\circ\text{C} \times 65^\circ\text{C}$

C-grade: $\pm 1.15\% = \pm 0.5\% \pm 100\text{ppm}/^\circ\text{C} \times 65^\circ\text{C}$

D-grade: $\pm 1.98\% = \pm 1.0\% \pm 150\text{ppm}/^\circ\text{C} \times 65^\circ\text{C}$

E-grade: $\pm 2.98\% = \pm 2.0\% \pm 150\text{ppm}/^\circ\text{C} \times 65^\circ\text{C}$

The total overtemperature tolerance for the different grades in the extended temperature range where $\text{max}\Delta T = 100^\circ\text{C}$ is shown below:

C-grade: $\pm 1.5\% = \pm 0.5\% \pm 100\text{ppm}/^\circ\text{C} \times 100^\circ\text{C}$

D-grade: $\pm 2.5\% = \pm 1.0\% \pm 150\text{ppm}/^\circ\text{C} \times 100^\circ\text{C}$

E-grade: $\pm 3.5\% = \pm 2.0\% \pm 150\text{ppm}/^\circ\text{C} \times 100^\circ\text{C}$

Therefore, as an example, the A-grade 2.5V LM4040-N has an overtemperature Reverse Breakdown Voltage tolerance of $\pm 2.5V \times 0.75\% = \pm 19\text{ mV}$.

- (4) Load regulation is measured on pulse basis from no load to the specified load current. Output changes due to die temperature change must be taken into account separately.
- (5) Thermal hysteresis is defined as the difference in voltage measured at +25°C after cycling to temperature -40°C and the 25°C measurement after cycling to temperature 125°C.

5.23 Typical Characteristics

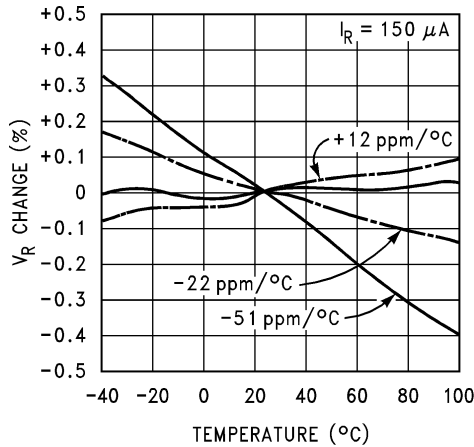


Figure 5-1. Temperature Drift For Different Average Temperature Coefficient

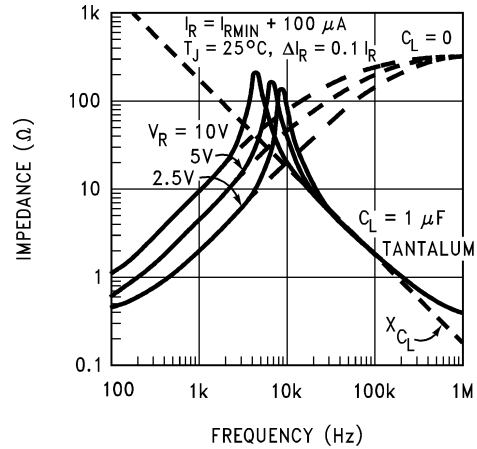


Figure 5-2. Output Impedance vs Frequency

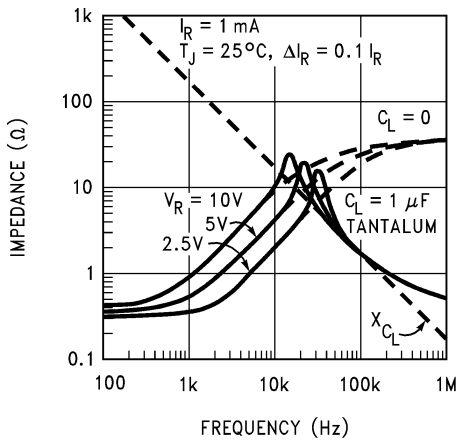


Figure 5-3. Output Impedance vs Frequency

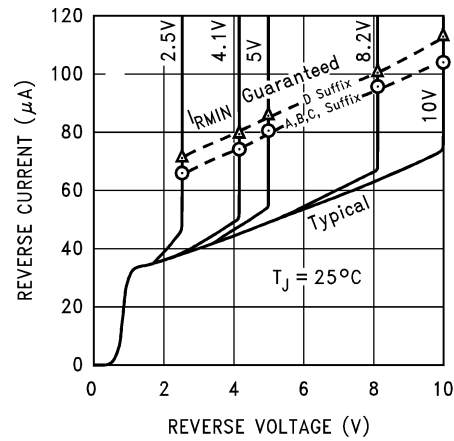


Figure 5-4. Reverse Characteristics And Minimum Operating Current

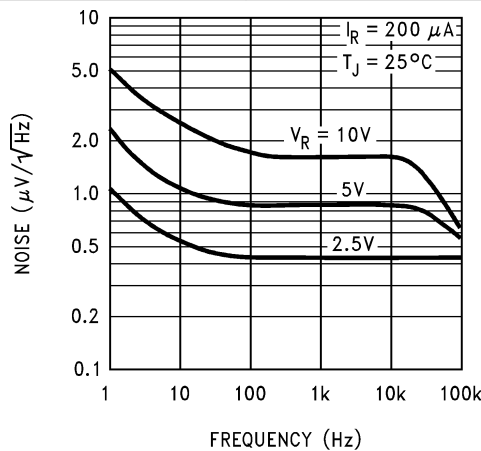


Figure 5-5. Noise Voltage vs Frequency

5.23.1 Start-Up Characteristics

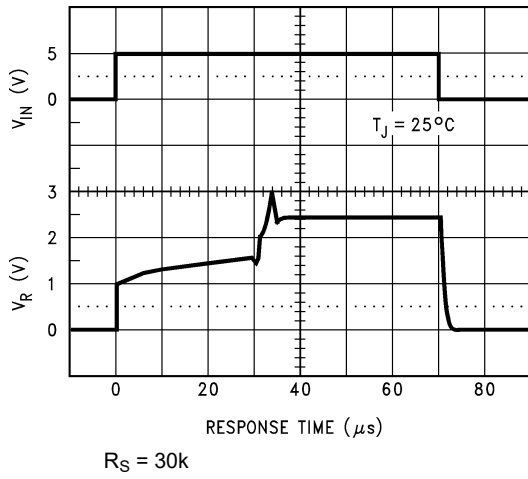


Figure 5-6. Input Voltage Step Response LM4040-N-2.5

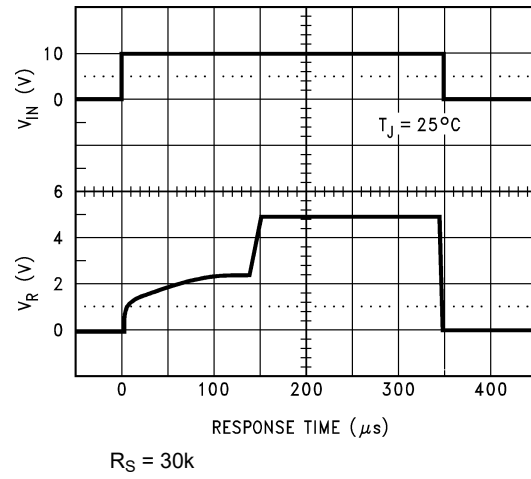


Figure 5-7. Input Voltage Step Response LM4040-N-5

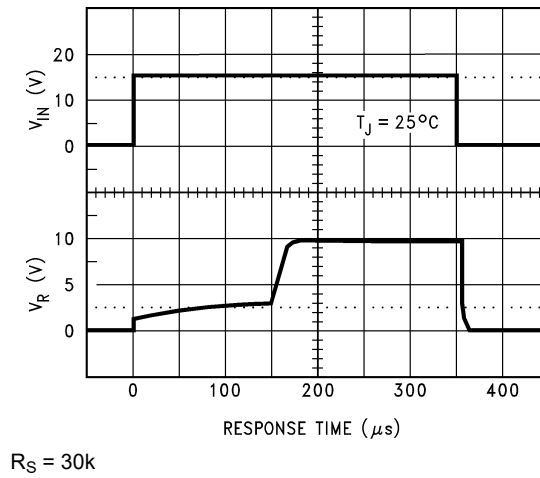


Figure 5-8. Input Voltage Step Response LM4040-N-10

6 Parameter Measurement Information

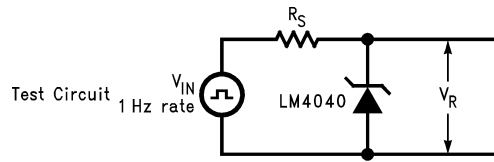


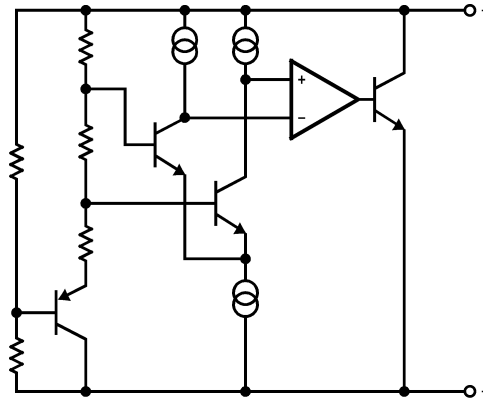
Figure 6-1. Test Circuit

7 Detailed Description

7.1 Overview

The LM4040 device is a precision micropower shunt voltage reference available in 7 different fixed-output voltage options and three different packages to meet small footprint requirements. The part is also available in five different tolerance grades.

7.2 Functional Block Diagram



7.3 Feature Description

The LM4040 device is effectively a precision Zener diode. The part requires a small quiescent current for regulation, and regulates the output voltage by shunting more or less current to ground, depending on input voltage and load. The only external component requirement is a resistor between the cathode and the input voltage to set the input current. An external capacitor can be used on the input or output, but is not required.

7.4 Device Functional Modes

The LM4040 device is a fixed output voltage part, where the feedback is internal. Therefore, the part can only operate in a closed loop mode and the output voltage cannot be adjusted. The output voltage remains in regulation as long as I_R is between I_{RMIN} , see [Section 5.5](#), and I_{RMAX} , 15mA. Proper selection of the external resistor for input voltage range and load current range make sure these conditions are met.

8 Application and Implementation

Note

Information in the following applications sections is not part of the TI component specification, and TI does not warrant its accuracy or completeness. TI's customers are responsible for determining suitability of components for their purposes, as well as validating and testing their design implementation to confirm system functionality.

8.1 Application Information

The LM4040-N is a precision micropower curvature-corrected bandgap shunt voltage reference. For space critical applications, the LM4040-N is available in SOT-23 and SC70 surface-mount packages. The LM4040-N has been designed for stable operation without the need of an external capacitor connected between the + pin and the – pin. If, however, a bypass capacitor is used, the LM4040-N remains stable. Reducing design effort is the availability of several fixed reverse breakdown voltages: 2.048V, 2.5V, 3V, 4.096V, 5V, 8.192V, and 10V. The minimum operating current increases from 60µA for the LM4040-N-2.048 and LM4040-N-2.5 to 100µA for the 10V LM4040-N. All versions have a maximum operating current of 15mA.

LM4040-Ns in the SOT-23 packages have a parasitic Schottky diode between pin 2 (–) and pin 3 (Die attach interface contact). Therefore, pin 3 of the SOT-23 package must be left floating or connected to pin 2.

LM4040-Ns in the SC70 have a parasitic Schottky diode between pin 1 (–) and pin 2 (Die attach interface contact). Therefore, pin 2 must be left floating or connected to pin 1.

The 4.096V version allows single 5V 12-bit ADCs or DACs to operate with an LSB equal to 1mV. For 12-bit ADCs or DACs that operate on supplies of 10V or greater, the 8.192V version gives 2mV per LSB.

The typical thermal hysteresis specification is defined as the change in 25°C voltage measured after thermal cycling. The device is thermal cycled to temperature –40°C and then measured at 25°C. Next the device is thermal cycled to temperature 125°C and again measured at 25°C. The resulting V_{OUT} delta shift between the 25°C measurements is thermal hysteresis. Thermal hysteresis is common in precision references and is induced by thermal-mechanical package stress. Changes in environmental storage temperature, operating temperature and board mounting temperature are all factors that can contribute to thermal hysteresis.

In a conventional shunt regulator application ([Figure 8-1](#)), an external series resistor (R_S) is connected between the supply voltage and the LM4040-N. R_S determines the current that flows through the load (I_L) and the LM4040-N (I_Q). Since load current and supply voltage can vary, R_S must be small enough to supply at least the minimum acceptable I_Q to the LM4040-N even when the supply voltage is at the minimum and the load current is at the maximum value. When the supply voltage is at the maximum and I_L is at the minimum, R_S must be large enough so that the current flowing through the LM4040-N is less than 15mA.

R_S is determined by the supply voltage, (V_S), the load and operating current, (I_L and I_Q), and the LM4040-N's reverse breakdown voltage, V_R .

$$R_S = \frac{V_S - V_R}{I_L + I_Q} \quad (1)$$

8.2 Typical Applications

8.2.1 Shunt Regulator

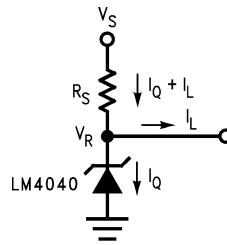


Figure 8-1. Shunt Regulator Schematic

8.2.1.1 Design Requirements

$$V_{IN} > V_{OUT}$$

Select R_S such that:

$$I_{RMIN} < I_R < I_{RMAX} \text{ where } I_{RMAX} = 15\text{mA}$$

See [Section 5.5](#)

for minimum operating current for each voltage option and grade.

8.2.1.2 Detailed Design Procedure

The resistor R_S must be selected such that current I_R remains in the operational region of the part for the entire V_{IN} range and load current range. The two extremes to consider are V_{IN} at the minimum, and the load at the maximum, where R_S must be small enough for I_R to remain above I_{RMIN} . The other extreme is V_{IN} at the maximum, and the load at the minimum, where R_S must be large enough to maintain $I_R < I_{RMAX}$. For most designs, $0.1\text{mA} \leq I_R \leq 1\text{mA}$ is a good starting point.

Use [Equation 2](#) and [Equation 3](#) to set R_S between R_{S_MIN} and R_{S_MAX} .

$$R_{S_MIN} = \frac{V_{IN_MAX} - V_{OUT}}{I_{LOAD_MIN} + I_{R_MAX}} \quad (2)$$

$$R_{S_MAX} = \frac{V_{IN_MIN} - V_{OUT}}{I_{LOAD_MAX} + I_{R_MIN}} \quad (3)$$

8.2.1.3 Application Curve

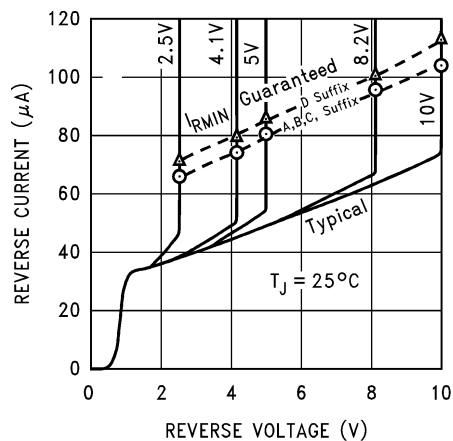
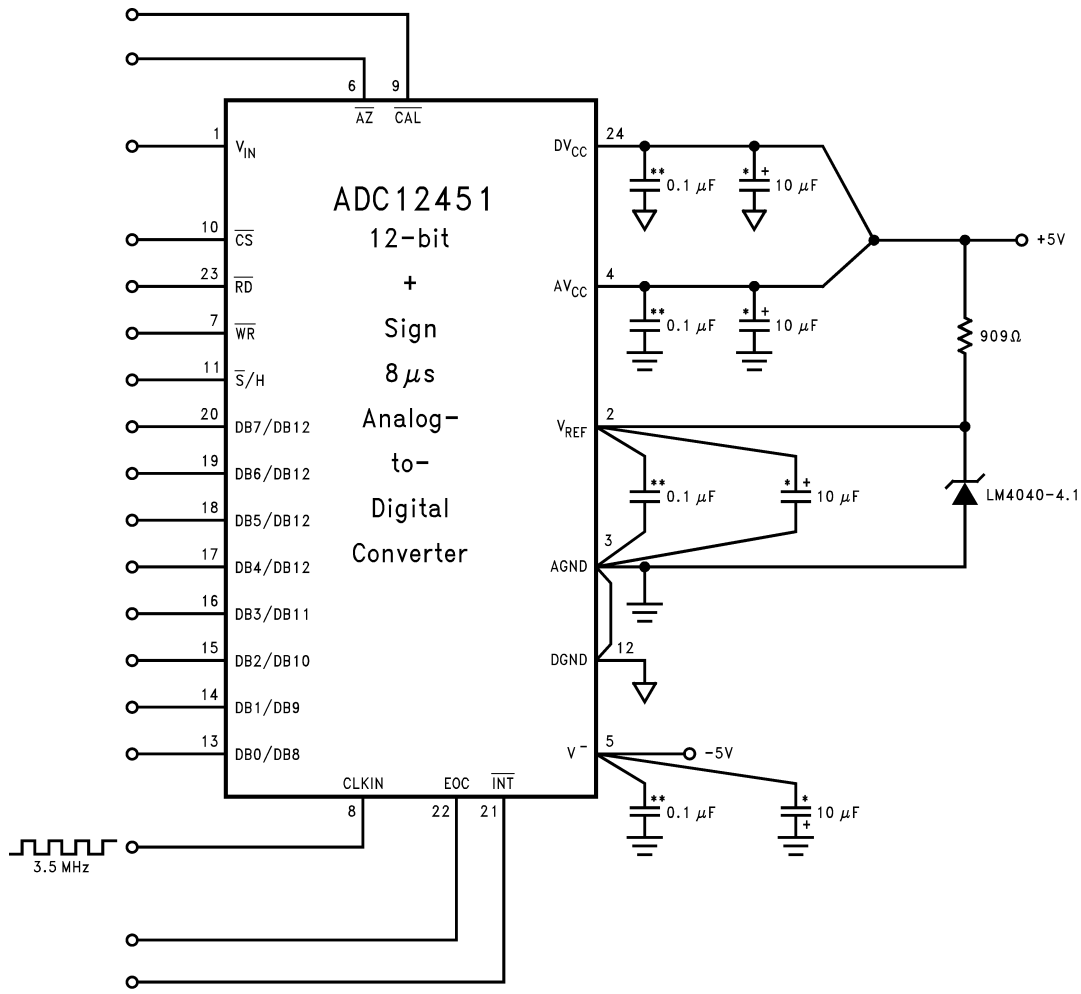


Figure 8-2. Reverse Characteristics And Minimum Operating Current

8.2.2 4.1V ADC Application



**Ceramic monolithic *Tantalum

Figure 8-3. 4.1V LM4040-N'S Nominal 4.096 Breakdown Voltage Gives ADC12451 1 MV/LSB

8.2.2.1 Design Requirements

The only design requirement is for an output voltage of 4.096V.

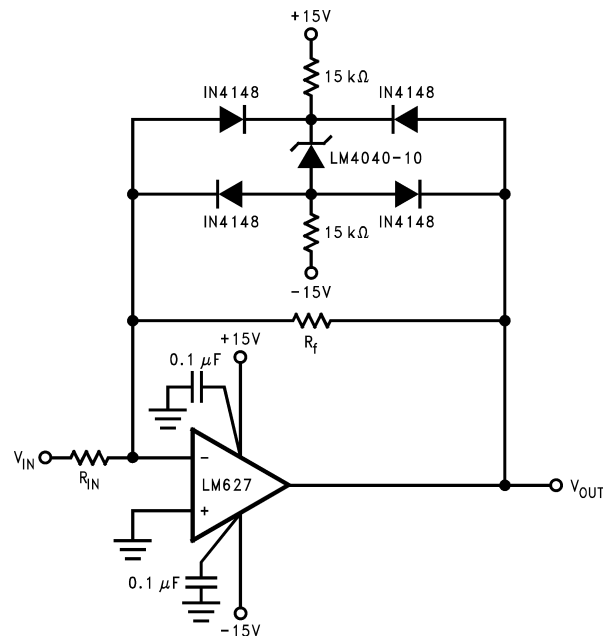
8.2.2.2 Detailed Design Procedure

Using an LM4040-4.1, select an appropriate R_S to sufficiently power the device. Set the target I_R for 1mA. With an input voltage of 5V, the resistor can be calculated:

$$R = \frac{5\text{ V} - 4.096\text{ V}}{1\text{ mA}} = 904\ \Omega \tag{4}$$

The closest available resistance of 909Ω is used here, which in turn yields an I_R of 994μA.

8.2.3 Bounded Amplifier



Nominal clamping voltage is $\pm 11.5\text{V}$ (LM4040-N's reverse breakdown voltage +2 diode V_F).

Figure 8-4. Bounded Amplifier Reduces Saturation-Induced Delays and Can Prevent Succeeding Stage Damage

8.2.3.1 Design Requirements

Design an amplifier with output clamped at $\pm 11.5\text{V}$.

8.2.3.2 Detailed Design Procedure

With amplifier rails of $\pm 15\text{V}$, the output can be bound to $\pm 11.5\text{V}$ with the LM4040-10 and two nominal diode voltage drops of 0.7V .

$$V_{\text{OUTBound}} = 2 \times V_{\text{FWD}} + V_Z \quad (5)$$

$$V_{\text{OUTBound}} = 1.4\text{V} + 10\text{V} \quad (6)$$

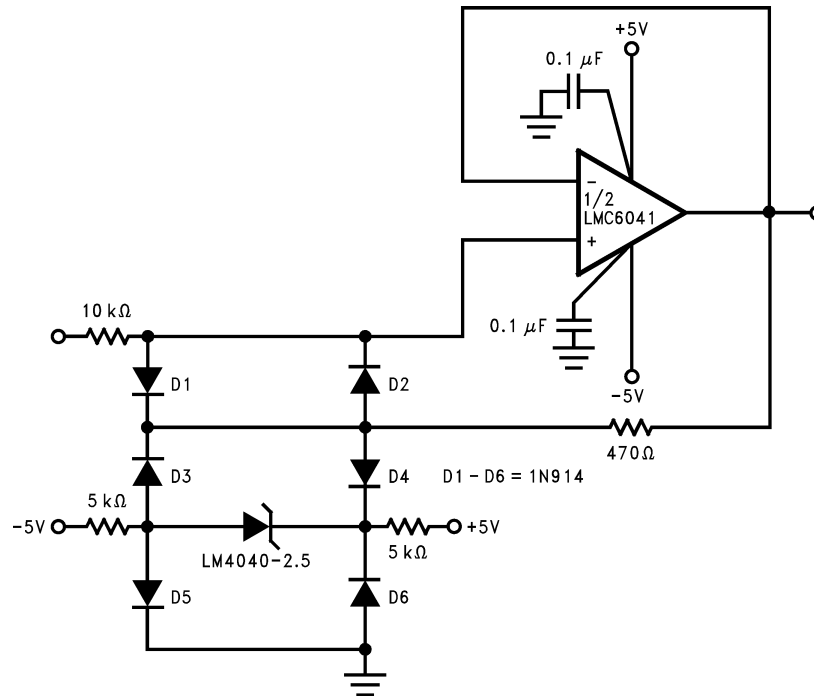
Select $R_S = 15\text{k}\Omega$ to keep I_R low. Calculate I_R to confirm R_S selection.

$$I_R = (V_{\text{IN}} - V_{\text{OUT}}) / R, \text{ however in this case, the negative supply must be taken into account.} \quad (7)$$

$$I_R = (V_{\text{IN}+} - V_{\text{IN}-} - V_{\text{OUT}}) / R = (30\text{V} - 10\text{V}) / (R_{S1} + R_{S2}) = 20\text{V} / 30\text{k}\Omega = 0.667\text{mA} \quad (8)$$

This is an acceptable value for I_R that does not draw excessive current, but prevents the part from being starved for current.

8.2.4 Protecting Op-Amp Input



The bounding voltage is ± 4 V with the 2.5V LM4040-N (LM4040-N's reverse breakdown voltage + 3 diode V_F).

Figure 8-5. Protecting Op Amp Input

8.2.4.1 Design Requirements

Limit the input voltage to the op-amp to ± 4 V.

8.2.4.2 Detailed Design Procedure

Similar to [Section 8.2.3](#), this design uses a LM4040-2.5 and three forward diode voltage drops to create a voltage clamp. The procedure for selecting the R_S resistors, in this case $5\text{k}\Omega$, is the same as [Section 8.2.3.2](#).

$$I_R = (V_{IN+} - V_{IN-} - V_{OUT}) / R = (10\text{V} - 2.5\text{V}) / (R_{S1} + R_{S2}) = 7.5\text{V} / 10\text{k}\Omega = 0.750\text{mA} \quad (9)$$

8.2.5 Precision $\pm 4.096\text{V}$ Reference

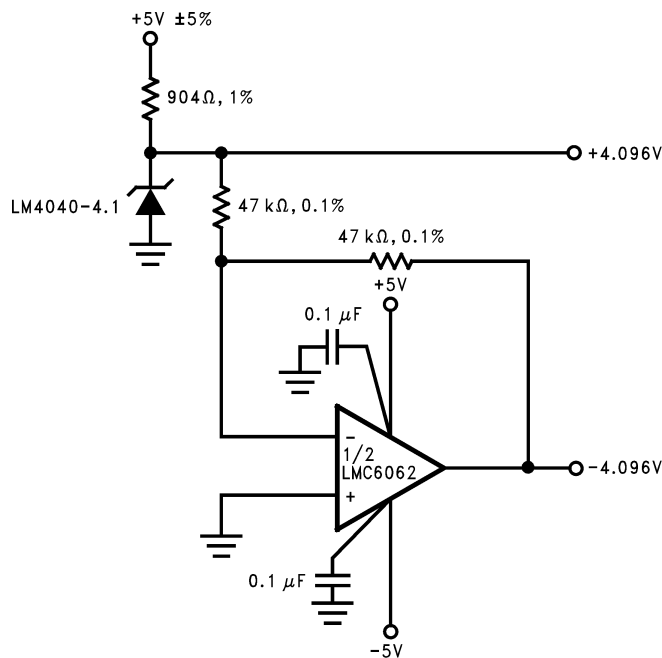


Figure 8-6. Precision $\pm 4.096\text{V}$ Reference

8.2.5.1 Design Requirements

Use a single voltage reference to create positive and negative reference rails, $\pm 4.096\text{V}$.

8.2.5.2 Detailed Design Procedure

The procedure for selecting the R_S resistor is same as detailed in [Section 8.2.2.2](#). The output of the voltage reference is used as the inverting input to the op-amp, with unity gain.

8.2.6 Precision Current Sink/Source

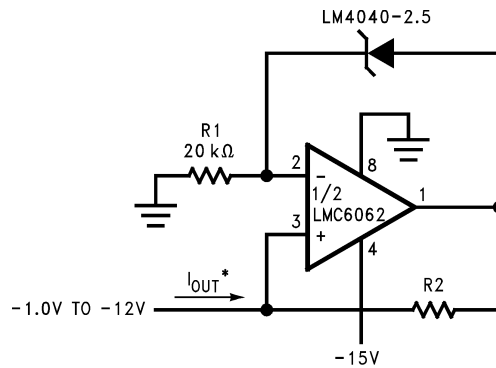


Figure 8-7. Precision 1mA Current Sink

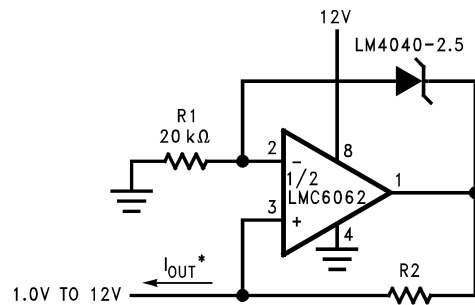


Figure 8-8. Precision 1mA Current Source

8.2.6.1 Design Requirements

Create precision 1mA current sink and/or 1mA current source.

8.2.6.2 Detailed Design Procedure

Set R1 such that the current through the shunt reference, I_R , is greater than I_{RMIN} .

$I_{OUT} = V_{OUT} / R_2$ where V_{OUT} is the voltage drop across the shunt reference. In this case,

$$I_{OUT} = 2.5 / R_2$$

8.3 Power Supply Recommendations

While a bypass capacitor is not required on the input voltage line, TI recommends reducing noise on the input which can affect the output. A 0.1μF ceramic capacitor or larger is recommended.

8.4 Layout

8.4.1 Layout Guidelines

Place external components as close to the device as possible. Place RS close the cathode, as well as the input bypass capacitor, if used.

8.4.2 Layout Example

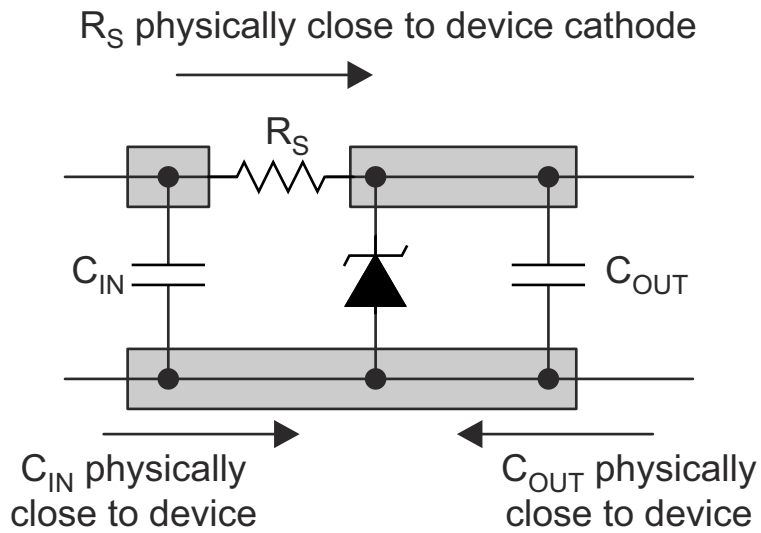


Figure 8-9. Layout Diagram

9 Device and Documentation Support

9.1 Documentation Support

9.1.1 Related Documentation

For related documentation, see the following:

- [Absolute Maximum Ratings for Soldering Application Report](#) (SNOA549)
- [LM4041-N/LM4041-N-Q1 Precision Micropower Shunt Voltage Reference](#) (SNOS641)

9.2 Related Links

The table below lists quick access links. Categories include technical documents, support and community resources, tools and software, and quick access to order now.

Table 9-1. Related Links

PARTS	PRODUCT FOLDER	ORDER NOW	TECHNICAL DOCUMENTS	TOOLS & SOFTWARE	SUPPORT & COMMUNITY
LM4040-N	Click here	Click here	Click here	Click here	Click here
LM4040-N-Q1	Click here	Click here	Click here	Click here	Click here

9.3 Receiving Notification of Documentation Updates

To receive notification of documentation updates, navigate to the device product folder on ti.com. Click on *Notifications* to register and receive a weekly digest of any product information that has changed. For change details, review the revision history included in any revised document.

9.4 Support Resources

[TI E2E™ support forums](#) are an engineer's go-to source for fast, verified answers and design help — straight from the experts. Search existing answers or ask your own question to get the quick design help you need.

Linked content is provided "AS IS" by the respective contributors. They do not constitute TI specifications and do not necessarily reflect TI's views; see TI's [Terms of Use](#).

9.5 Trademarks

TI E2E™ is a trademark of Texas Instruments.
All trademarks are the property of their respective owners.

9.6 Electrostatic Discharge Caution



This integrated circuit can be damaged by ESD. Texas Instruments recommends that all integrated circuits be handled with appropriate precautions. Failure to observe proper handling and installation procedures can cause damage.

ESD damage can range from subtle performance degradation to complete device failure. Precision integrated circuits may be more susceptible to damage because very small parametric changes could cause the device not to meet its published specifications.

9.7 Glossary

[TI Glossary](#) This glossary lists and explains terms, acronyms, and definitions.

10 Revision History

NOTE: Page numbers for previous revisions may differ from page numbers in the current version.

Changes from Revision M (March 2025) to Revision N (August 2025)	Page
• Updated CDM value from 500V to 750V	5

Changes from Revision L (October 2018) to Revision M (March 2025) **Page**

• Updated pinout diagrams.....	3
• Updated CDM ESD rating.....	5
• Updated reverse breakdown voltage change with operating current change specification.....	33
• Updated reverse breakdown voltage change with operating current change specification.	34
• Added information on part numbers.	53

Changes from Revision K (June 2016) to Revision L (June 2024)

Page

- Updated the numbering format for tables, figures, and cross-references throughout the document..... 1
 - Removed soldering information from the *Absolute Maximum Ratings* table 5
-

11 Mechanical, Packaging, And Orderable Information

The following pages include mechanical, packaging, and orderable information. This information is the most current data available for the designated devices. This data is subject to change without notice and revision of this document. For browser-based versions of this data sheet, refer to the left-hand navigation. Part numbers containing an "X" contain the same electrical properties as those which do not contain an "X"

11.1 SOT-23 and SC70 Package Marking Information

Only three fields of marking are possible on the SOT-23's and SC70's small surface. This table gives the meaning of the three fields.

First Field:

R = Reference

Second Field: Voltage Option

J = 2.048V Voltage Option

2 = 2.5V Voltage Option

K = 3V Voltage Option

4 = 4.096V Voltage Option

5 = 5V Voltage Option

8 = 8.192V Voltage Option

0 = 10V Voltage Option

Third Field: Initial Reverse Breakdown Voltage or Reference Voltage Tolerance

A = $\pm 0.1\%$

B = $\pm 0.2\%$

C = $+0.5\%$

D = $\pm 1.0\%$

E = $\pm 2.0\%$

PART MARKING	FIELD DEFINITION
RJA (SOT-23 only)	Reference, 2.048V, $\pm 0.1\%$
R2A (SOT-23 only)	Reference, 2.5V, $\pm 0.1\%$
RKA (SOT-23 only)	Reference, 3V, $\pm 0.1\%$
R4A (SOT-23 only)	Reference, 4.096V, $\pm 0.1\%$
R5A (SOT-23 only)	Reference, 5V, $\pm 0.1\%$
R8A (SOT-23 only)	Reference, 8.192V, $\pm 0.1\%$
R0A (SOT-23 only)	Reference, 10V, $\pm 0.1\%$
RJB	Reference, 2.048V, $\pm 0.2\%$
R2B	Reference, 2.5V, $\pm 0.2\%$
RKB	Reference, 3V, $\pm 0.2\%$
R4B	Reference, 4.096V, $\pm 0.2\%$
R5B	Reference, 5V, $\pm 0.2\%$
R8B (SOT-23 only)	Reference, 8.192V, $\pm 0.2\%$
R0B (SOT-23 only)	Reference, 10V, $\pm 0.2\%$
RJC	Reference, 2.048V, $\pm 0.5\%$
R2C	Reference, 2.5V, $\pm 0.5\%$

PART MARKING	FIELD DEFINITION
RKC	Reference, 3V, $\pm 0.5\%$
R4C	Reference, 4.096V, $\pm 0.5\%$
R5C	Reference, 5V, $\pm 0.5\%$
R8C (SOT-23 only)	Reference, 8.192V, $\pm 0.5\%$
R0C (SOT-23 only)	Reference, 10V, $\pm 0.5\%$
RJD	Reference, 2.048V, $\pm 1.0\%$
R2D	Reference, 2.5V, $\pm 1.0\%$
RKD	Reference, 3V, $\pm 1.0\%$
R4D	Reference, 4.096V, $\pm 1.0\%$
R5D	Reference, 5V, $\pm 1.0\%$
R8D (SOT-23 only)	Reference, 8.192V, $\pm 1.0\%$
R0D (SOT-23 only)	Reference, 10V, $\pm 1.0\%$
RJE	Reference, 2.048V, $\pm 2.0\%$
R2E	Reference, 2.5V, $\pm 2.0\%$
RKE	Reference, 3V, $\pm 2.0\%$

PACKAGING INFORMATION

Orderable part number	Status (1)	Material type (2)	Package Pins	Package qty Carrier	RoHS (3)	Lead finish/ Ball material (4)	MSL rating/ Peak reflow (5)	Op temp (°C)	Part marking (6)
LM4040AIM3-10.0/NO.A	Active	Production	SOT-23 (DBZ) 3	3000 LARGE T&R	Yes	SN	Level-1-260C-UNLIM	-40 to 85	R0A
LM4040AIM3-10.0/NOPB	Active	Production	SOT-23 (DBZ) 3	3000 LARGE T&R	Yes	SN	Level-1-260C-UNLIM	-40 to 85	R0A
LM4040AIM3-2.0/NO.A	Active	Production	SOT-23 (DBZ) 3	3000 SMALL T&R	Yes	NIPDAU	Level-1-260C-UNLIM	-40 to 85	RJA
LM4040AIM3-2.0/NO.B	Active	Production	SOT-23 (DBZ) 3	3000 SMALL T&R	-	Call TI	Call TI	-40 to 85	
LM4040AIM3-2.0/NOPB	Active	Production	SOT-23 (DBZ) 3	3000 SMALL T&R	Yes	NIPDAU SN	Level-1-260C-UNLIM	-	RJA
LM4040AIM3-2.5/NO.A	Active	Production	SOT-23 (DBZ) 3	3000 SMALL T&R	Yes	NIPDAU	Level-1-260C-UNLIM	-40 to 85	R2A
LM4040AIM3-2.5/NO.B	Active	Production	SOT-23 (DBZ) 3	3000 SMALL T&R	-	Call TI	Call TI	-40 to 85	
LM4040AIM3-2.5/NOPB	Active	Production	SOT-23 (DBZ) 3	3000 SMALL T&R	Yes	NIPDAU SN	Level-1-260C-UNLIM	-	R2A
LM4040AIM3-3.0/NO.A	Active	Production	SOT-23 (DBZ) 3	3000 SMALL T&R	Yes	NIPDAU	Level-1-260C-UNLIM	-40 to 85	RKA
LM4040AIM3-3.0/NOPB	Active	Production	SOT-23 (DBZ) 3	3000 SMALL T&R	Yes	NIPDAU	Level-1-260C-UNLIM	-	RKA
LM4040AIM3-4.1/NO.A	Active	Production	SOT-23 (DBZ) 3	3000 SMALL T&R	Yes	NIPDAU	Level-1-260C-UNLIM	-40 to 85	R4A
LM4040AIM3-4.1/NOPB	Active	Production	SOT-23 (DBZ) 3	3000 SMALL T&R	Yes	NIPDAU	Level-1-260C-UNLIM	-	R4A
LM4040AIM3-5.0/NO.A	Active	Production	SOT-23 (DBZ) 3	3000 SMALL T&R	Yes	NIPDAU	Level-1-260C-UNLIM	-40 to 85	R5A
LM4040AIM3-5.0/NO.B	Active	Production	SOT-23 (DBZ) 3	3000 SMALL T&R	-	Call TI	Call TI	-40 to 85	
LM4040AIM3-5.0/NOPB	Active	Production	SOT-23 (DBZ) 3	3000 SMALL T&R	Yes	NIPDAU SN	Level-1-260C-UNLIM	-	R5A
LM4040AIM3X-10/NO.A	Active	Production	SOT-23 (DBZ) 3	3000 LARGE T&R	Yes	SN	Level-1-260C-UNLIM	-40 to 85	R0A
LM4040AIM3X-10/NOPB	Active	Production	SOT-23 (DBZ) 3	3000 LARGE T&R	Yes	SN	Level-1-260C-UNLIM	-	R0A
LM4040AIM3X-2.0/G4	Active	Production	SOT-23 (DBZ) 3	3000 LARGE T&R	Yes	NIPDAU	Level-1-260C-UNLIM	-40 to 85	RJA
LM4040AIM3X-2.0/G4.A	Active	Production	SOT-23 (DBZ) 3	3000 LARGE T&R	Yes	NIPDAU	Level-1-260C-UNLIM	-40 to 85	RJA
LM4040AIM3X-2.0/NO.A	Active	Production	SOT-23 (DBZ) 3	3000 LARGE T&R	Yes	NIPDAU	Level-1-260C-UNLIM	-40 to 85	RJA
LM4040AIM3X-2.0/NOPB	Active	Production	SOT-23 (DBZ) 3	3000 LARGE T&R	Yes	NIPDAU SN	Level-1-260C-UNLIM	-	RJA
LM4040AIM3X-2.5/NO.A	Active	Production	SOT-23 (DBZ) 3	3000 LARGE T&R	Yes	NIPDAU	Level-1-260C-UNLIM	-40 to 85	R2A
LM4040AIM3X-2.5/NO.B	Active	Production	SOT-23 (DBZ) 3	3000 LARGE T&R	-	Call TI	Call TI	-40 to 85	
LM4040AIM3X-2.5/NOPB	Active	Production	SOT-23 (DBZ) 3	3000 LARGE T&R	Yes	NIPDAU SN	Level-1-260C-UNLIM	-	R2A
LM4040AIM3X-3.0/NO.A	Active	Production	SOT-23 (DBZ) 3	3000 LARGE T&R	Yes	NIPDAU	Level-1-260C-UNLIM	-40 to 85	RKA
LM4040AIM3X-3.0/NO.B	Active	Production	SOT-23 (DBZ) 3	3000 LARGE T&R	-	Call TI	Call TI	-40 to 85	
LM4040AIM3X-3.0/NOPB	Active	Production	SOT-23 (DBZ) 3	3000 LARGE T&R	Yes	NIPDAU SN	Level-1-260C-UNLIM	-	RKA
LM4040AIM3X-4.1/NO.A	Active	Production	SOT-23 (DBZ) 3	3000 LARGE T&R	Yes	NIPDAU	Level-1-260C-UNLIM	-40 to 85	R4A
LM4040AIM3X-4.1/NO.B	Active	Production	SOT-23 (DBZ) 3	3000 LARGE T&R	-	Call TI	Call TI	-40 to 85	

Orderable part number	Status (1)	Material type (2)	Package Pins	Package qty Carrier	RoHS (3)	Lead finish/ Ball material (4)	MSL rating/ Peak reflow (5)	Op temp (°C)	Part marking (6)
LM4040AIM3X-4.1/NOPB	Active	Production	SOT-23 (DBZ) 3	3000 LARGE T&R	Yes	NIPDAU SN	Level-1-260C-UNLIM	-	R4A
LM4040AIM3X-5.0/NO.A	Active	Production	SOT-23 (DBZ) 3	3000 LARGE T&R	Yes	NIPDAU	Level-1-260C-UNLIM	-40 to 85	R5A
LM4040AIM3X-5.0/NO.B	Active	Production	SOT-23 (DBZ) 3	3000 LARGE T&R	-	Call TI	Call TI	-40 to 85	
LM4040AIM3X-5.0/NOPB	Active	Production	SOT-23 (DBZ) 3	3000 LARGE T&R	Yes	NIPDAU SN	Level-1-260C-UNLIM	-	R5A
LM4040AIZ-10.0/NOPB	Active	Production	TO-92 (LP) 3	1800 BULK	Yes	Call TI	N/A for Pkg Type	-	4040A IZ10
LM4040AIZ-2.5/NOPB	Active	Production	TO-92 (LP) 3	1800 BULK	Yes	Call TI Sn	N/A for Pkg Type	-	4040A IZ2.5
LM4040AIZ-2.5/NOPB.A	Active	Production	TO-92 (LP) 3	1800 BULK	Yes	SN	N/A for Pkg Type	-40 to 85	4040A IZ2.5
LM4040AIZ-2.5/NOPB.B	Active	Production	TO-92 (LP) 3	1800 BULK	Yes	SN	N/A for Pkg Type	-40 to 85	4040A IZ2.5
LM4040AIZ-4.1/NOPB	Active	Production	TO-92 (LP) 3	1800 BULK	Yes	Call TI Sn	N/A for Pkg Type	-	4040A IZ4.1
LM4040AIZ-4.1/NOPB.A	Active	Production	TO-92 (LP) 3	1800 BULK	Yes	Call TI	N/A for Pkg Type	-40 to 85	4040A IZ4.1
LM4040AIZ-4.1/NOPB.B	Active	Production	TO-92 (LP) 3	1800 BULK	Yes	Call TI	N/A for Pkg Type	-40 to 85	4040A IZ4.1
LM4040AIZ-5.0/NOPB	Active	Production	TO-92 (LP) 3	1800 BULK	Yes	Call TI Sn	N/A for Pkg Type	-	4040A IZ5.0
LM4040AIZ-5.0/NOPB.A	Active	Production	TO-92 (LP) 3	1800 BULK	Yes	Call TI	N/A for Pkg Type	-40 to 85	4040A IZ5.0
LM4040AIZ-5.0/NOPB.B	Active	Production	TO-92 (LP) 3	1800 BULK	Yes	Call TI	N/A for Pkg Type	-40 to 85	4040A IZ5.0
LM4040BIM3-10.0/NO.A	Active	Production	SOT-23 (DBZ) 3	3000 LARGE T&R	Yes	SN	Level-1-260C-UNLIM	-40 to 85	R0B
LM4040BIM3-10.0/NOPB	Active	Production	SOT-23 (DBZ) 3	3000 LARGE T&R	Yes	SN	Level-1-260C-UNLIM	-	R0B
LM4040BIM3-2.0/NO.A	Active	Production	SOT-23 (DBZ) 3	3000 SMALL T&R	Yes	NIPDAU	Level-1-260C-UNLIM	-40 to 85	RJB
LM4040BIM3-2.0/NOPB	Active	Production	SOT-23 (DBZ) 3	3000 SMALL T&R	Yes	NIPDAU	Level-1-260C-UNLIM	-	RJB
LM4040BIM3-2.5	Obsolete	Production	SOT-23 (DBZ) 3	-	-	Call TI	Call TI	-	R2B
LM4040BIM3-2.5/NO.A	Active	Production	SOT-23 (DBZ) 3	3000 SMALL T&R	Yes	NIPDAU	Level-1-260C-UNLIM	-40 to 85	R2B
LM4040BIM3-2.5/NO.B	Active	Production	SOT-23 (DBZ) 3	3000 SMALL T&R	-	Call TI	Call TI	-40 to 85	
LM4040BIM3-2.5/NOPB	Active	Production	SOT-23 (DBZ) 3	3000 SMALL T&R	Yes	NIPDAU	Level-1-260C-UNLIM	-	R2B
LM4040BIM3-3.0/NO.A	Active	Production	SOT-23 (DBZ) 3	3000 SMALL T&R	Yes	NIPDAU	Level-1-260C-UNLIM	-40 to 85	RKB

Orderable part number	Status (1)	Material type (2)	Package Pins	Package qty Carrier	RoHS (3)	Lead finish/ Ball material (4)	MSL rating/ Peak reflow (5)	Op temp (°C)	Part marking (6)
LM4040BIM3-3.0/NOPB	Active	Production	SOT-23 (DBZ) 3	3000 SMALL T&R	Yes	NIPDAU	Level-1-260C-UNLIM	-	RKB
LM4040BIM3-4.1/NO.A	Active	Production	SOT-23 (DBZ) 3	3000 SMALL T&R	Yes	NIPDAU	Level-1-260C-UNLIM	-40 to 85	R4B
LM4040BIM3-4.1/NOPB	Active	Production	SOT-23 (DBZ) 3	3000 SMALL T&R	Yes	NIPDAU	Level-1-260C-UNLIM	-	R4B
LM4040BIM3-5.0/NO.A	Active	Production	SOT-23 (DBZ) 3	3000 SMALL T&R	Yes	NIPDAU	Level-1-260C-UNLIM	-40 to 85	R5B
LM4040BIM3-5.0/NO.B	Active	Production	SOT-23 (DBZ) 3	3000 SMALL T&R	-	Call TI	Call TI	-40 to 85	
LM4040BIM3-5.0/NOPB	Active	Production	SOT-23 (DBZ) 3	3000 SMALL T&R	Yes	NIPDAU	Level-1-260C-UNLIM	-	R5B
LM4040BIM3-8.2/NO.A	Active	Production	SOT-23 (DBZ) 3	3000 LARGE T&R	Yes	SN	Level-1-260C-UNLIM	-40 to 85	R8B
LM4040BIM3-8.2/NO.B	Active	Production	SOT-23 (DBZ) 3	3000 LARGE T&R	Yes	SN	Level-1-260C-UNLIM	-40 to 85	R8B
LM4040BIM3-8.2/NOPB	Active	Production	SOT-23 (DBZ) 3	3000 LARGE T&R	Yes	SN	Level-1-260C-UNLIM	-	R8B
LM4040BIM3X-10/NO.A	Active	Production	SOT-23 (DBZ) 3	3000 LARGE T&R	Yes	SN	Level-1-260C-UNLIM	-40 to 85	R0B
LM4040BIM3X-10/NOPB	Active	Production	SOT-23 (DBZ) 3	3000 LARGE T&R	Yes	SN	Level-1-260C-UNLIM	-	R0B
LM4040BIM3X-2.0/NO.A	Active	Production	SOT-23 (DBZ) 3	3000 LARGE T&R	Yes	NIPDAU	Level-1-260C-UNLIM	-40 to 85	RJB
LM4040BIM3X-2.0/NO.B	Active	Production	SOT-23 (DBZ) 3	3000 LARGE T&R	-	Call TI	Call TI	-40 to 85	
LM4040BIM3X-2.0/NOPB	Active	Production	SOT-23 (DBZ) 3	3000 LARGE T&R	Yes	NIPDAU	Level-1-260C-UNLIM	-	RJB
LM4040BIM3X-2.5/NO.A	Active	Production	SOT-23 (DBZ) 3	3000 LARGE T&R	Yes	NIPDAU	Level-1-260C-UNLIM	-40 to 85	R2B
LM4040BIM3X-2.5/NO.B	Active	Production	SOT-23 (DBZ) 3	3000 LARGE T&R	-	Call TI	Call TI	-40 to 85	
LM4040BIM3X-2.5/NOPB	Active	Production	SOT-23 (DBZ) 3	3000 LARGE T&R	Yes	NIPDAU	Level-1-260C-UNLIM	-	R2B
LM4040BIM3X-3.0/NO.A	Active	Production	SOT-23 (DBZ) 3	3000 LARGE T&R	Yes	NIPDAU	Level-1-260C-UNLIM	-40 to 85	RKB
LM4040BIM3X-3.0/NO.B	Active	Production	SOT-23 (DBZ) 3	3000 LARGE T&R	-	Call TI	Call TI	-40 to 85	
LM4040BIM3X-3.0/NOPB	Active	Production	SOT-23 (DBZ) 3	3000 LARGE T&R	Yes	NIPDAU	Level-1-260C-UNLIM	-	RKB
LM4040BIM3X-4.1/NO.A	Active	Production	SOT-23 (DBZ) 3	3000 LARGE T&R	Yes	NIPDAU	Level-1-260C-UNLIM	-40 to 85	R4B
LM4040BIM3X-4.1/NOPB	Active	Production	SOT-23 (DBZ) 3	3000 LARGE T&R	Yes	NIPDAU	Level-1-260C-UNLIM	-	R4B
LM4040BIM3X-5.0/NO.A	Active	Production	SOT-23 (DBZ) 3	3000 LARGE T&R	Yes	NIPDAU	Level-1-260C-UNLIM	-40 to 85	R5B
LM4040BIM3X-5.0/NOPB	Active	Production	SOT-23 (DBZ) 3	3000 LARGE T&R	Yes	NIPDAU	Level-1-260C-UNLIM	-	R5B
LM4040BIM7-2.0/NO.A	Active	Production	SC70 (DCK) 5	3000 LARGE T&R	Yes	SN	Level-1-260C-UNLIM	-40 to 85	RJB
LM4040BIM7-2.0/NO.B	Active	Production	SC70 (DCK) 5	3000 LARGE T&R	Yes	SN	Level-1-260C-UNLIM	-40 to 85	RJB
LM4040BIM7-2.0/NOPB	Active	Production	SC70 (DCK) 5	3000 LARGE T&R	Yes	SN	Level-1-260C-UNLIM	-	RJB
LM4040BIM7-2.5/NO.A	Active	Production	SC70 (DCK) 5	3000 SMALL T&R	Yes	SN	Level-1-260C-UNLIM	-40 to 85	R2B
LM4040BIM7-2.5/NOPB	Active	Production	SC70 (DCK) 5	3000 SMALL T&R	Yes	SN	Level-1-260C-UNLIM	-	R2B
LM4040BIM7-5.0/NO.A	Active	Production	SC70 (DCK) 5	3000 LARGE T&R	Yes	SN	Level-1-260C-UNLIM	-40 to 85	R5B
LM4040BIM7-5.0/NOPB	Active	Production	SC70 (DCK) 5	3000 LARGE T&R	Yes	SN	Level-1-260C-UNLIM	-	R5B

Orderable part number	Status (1)	Material type (2)	Package Pins	Package qty Carrier	RoHS (3)	Lead finish/ Ball material (4)	MSL rating/ Peak reflow (5)	Op temp (°C)	Part marking (6)
LM4040BIM7X-2.5/NO.A	Active	Production	SC70 (DCK) 5	3000 LARGE T&R	Yes	SN	Level-1-260C-UNLIM	-40 to 85	R2B
LM4040BIM7X-2.5/NOPB	Active	Production	SC70 (DCK) 5	3000 LARGE T&R	Yes	SN	Level-1-260C-UNLIM	-	R2B
LM4040BIZ-10.0/NOPB	Active	Production	TO-92 (LP) 3	1800 BULK	Yes	Call TI	N/A for Pkg Type	-	4040B IZ10
LM4040BIZ-2.5/NOPB	Active	Production	TO-92 (LP) 3	1800 BULK	Yes	Call TI Sn	N/A for Pkg Type	-	4040B IZ2.5
LM4040BIZ-2.5/NOPB.A	Active	Production	TO-92 (LP) 3	1800 BULK	Yes	Call TI	N/A for Pkg Type	-40 to 85	4040B IZ2.5
LM4040BIZ-2.5/NOPB.B	Active	Production	TO-92 (LP) 3	1800 BULK	Yes	Call TI	N/A for Pkg Type	-40 to 85	4040B IZ2.5
LM4040BIZ-4.1/NOPB	Active	Production	TO-92 (LP) 3	1800 BULK	Yes	Call TI Sn	N/A for Pkg Type	-	4040B IZ4.1
LM4040BIZ-4.1/NOPB.A	Active	Production	TO-92 (LP) 3	1800 BULK	Yes	SN	N/A for Pkg Type	-40 to 85	4040B IZ4.1
LM4040BIZ-4.1/NOPB.B	Active	Production	TO-92 (LP) 3	1800 BULK	Yes	SN	N/A for Pkg Type	-40 to 85	4040B IZ4.1
LM4040BIZ-5.0/NOPB	Active	Production	TO-92 (LP) 3	1800 BULK	Yes	Call TI Sn	N/A for Pkg Type	-	4040B IZ5.0
LM4040BIZ-5.0/NOPB.A	Active	Production	TO-92 (LP) 3	1800 BULK	Yes	SN	N/A for Pkg Type	-40 to 85	4040B IZ5.0
LM4040BIZ-5.0/NOPB.B	Active	Production	TO-92 (LP) 3	1800 BULK	Yes	SN	N/A for Pkg Type	-40 to 85	4040B IZ5.0
LM4040CEM3-2.5/NO.A	Active	Production	SOT-23 (DBZ) 3	3000 LARGE T&R	Yes	NIPDAU	Level-1-260C-UNLIM	-40 to 85	R2C
LM4040CEM3-2.5/NO.B	Active	Production	SOT-23 (DBZ) 3	3000 LARGE T&R	-	Call TI	Call TI	-40 to 85	
LM4040CEM3-2.5/NOPB	Active	Production	SOT-23 (DBZ) 3	3000 LARGE T&R	Yes	NIPDAU	Level-1-260C-UNLIM	-	R2C
LM4040CEM3-3.0/NO.A	Active	Production	SOT-23 (DBZ) 3	3000 SMALL T&R	Yes	NIPDAU	Level-1-260C-UNLIM	-40 to 85	RKC
LM4040CEM3-3.0/NOPB	Active	Production	SOT-23 (DBZ) 3	3000 SMALL T&R	Yes	NIPDAU	Level-1-260C-UNLIM	-	RKC
LM4040CEM3-5.0/NO.A	Active	Production	SOT-23 (DBZ) 3	3000 SMALL T&R	Yes	NIPDAU	Level-1-260C-UNLIM	-40 to 85	R5C
LM4040CEM3-5.0/NOPB	Active	Production	SOT-23 (DBZ) 3	3000 SMALL T&R	Yes	NIPDAU	Level-1-260C-UNLIM	-	R5C
LM4040CEM3X-3.0/NO.A	Active	Production	SOT-23 (DBZ) 3	3000 LARGE T&R	Yes	NIPDAU	Level-1-260C-UNLIM	-40 to 85	RKC
LM4040CEM3X-3.0/NOPB	Active	Production	SOT-23 (DBZ) 3	3000 LARGE T&R	Yes	NIPDAU	Level-1-260C-UNLIM	-	RKC
LM4040CEM3X-5.0/NO.A	Active	Production	SOT-23 (DBZ) 3	3000 LARGE T&R	Yes	NIPDAU	Level-1-260C-UNLIM	-40 to 85	R5C
LM4040CEM3X-5.0/NO.B	Active	Production	SOT-23 (DBZ) 3	3000 LARGE T&R	-	Call TI	Call TI	-40 to 85	

Orderable part number	Status (1)	Material type (2)	Package Pins	Package qty Carrier	RoHS (3)	Lead finish/ Ball material (4)	MSL rating/ Peak reflow (5)	Op temp (°C)	Part marking (6)
LM4040CEM3X-5.0/NOPB	Active	Production	SOT-23 (DBZ) 3	3000 LARGE T&R	Yes	NIPDAU	Level-1-260C-UNLIM	-	R5C
LM4040CIM3-10.0/NO.A	Active	Production	SOT-23 (DBZ) 3	3000 LARGE T&R	Yes	SN	Level-1-260C-UNLIM	-40 to 85	R0C
LM4040CIM3-10.0/NOPB	Active	Production	SOT-23 (DBZ) 3	3000 LARGE T&R	Yes	SN	Level-1-260C-UNLIM	-	R0C
LM4040CIM3-2.0/NO.A	Active	Production	SOT-23 (DBZ) 3	3000 SMALL T&R	Yes	NIPDAU	Level-1-260C-UNLIM	-40 to 85	RJC
LM4040CIM3-2.0/NOPB	Active	Production	SOT-23 (DBZ) 3	3000 SMALL T&R	Yes	NIPDAU	Level-1-260C-UNLIM	-	RJC
LM4040CIM3-2.5/NO.A	Active	Production	SOT-23 (DBZ) 3	3000 SMALL T&R	Yes	NIPDAU	Level-1-260C-UNLIM	-40 to 85	R2C
LM4040CIM3-2.5/NO.B	Active	Production	SOT-23 (DBZ) 3	3000 SMALL T&R	-	Call TI	Call TI	-40 to 85	
LM4040CIM3-2.5/NOPB	Active	Production	SOT-23 (DBZ) 3	3000 SMALL T&R	Yes	NIPDAU SN	Level-1-260C-UNLIM	-	R2C
LM4040CIM3-3.0/NO.A	Active	Production	SOT-23 (DBZ) 3	3000 SMALL T&R	Yes	NIPDAU	Level-1-260C-UNLIM	-40 to 85	RKC
LM4040CIM3-3.0/NO.B	Active	Production	SOT-23 (DBZ) 3	3000 SMALL T&R	-	Call TI	Call TI	-40 to 85	
LM4040CIM3-3.0/NOPB	Active	Production	SOT-23 (DBZ) 3	3000 SMALL T&R	Yes	NIPDAU	Level-1-260C-UNLIM	-	RKC
LM4040CIM3-4.1/NO.A	Active	Production	SOT-23 (DBZ) 3	3000 SMALL T&R	Yes	NIPDAU	Level-1-260C-UNLIM	-40 to 85	R4C
LM4040CIM3-4.1/NO.B	Active	Production	SOT-23 (DBZ) 3	3000 SMALL T&R	-	Call TI	Call TI	-40 to 85	
LM4040CIM3-4.1/NOPB	Active	Production	SOT-23 (DBZ) 3	3000 SMALL T&R	Yes	NIPDAU	Level-1-260C-UNLIM	-	R4C
LM4040CIM3-5.0/NO.A	Active	Production	SOT-23 (DBZ) 3	3000 SMALL T&R	Yes	NIPDAU	Level-1-260C-UNLIM	-40 to 85	R5C
LM4040CIM3-5.0/NO.B	Active	Production	SOT-23 (DBZ) 3	3000 SMALL T&R	-	Call TI	Call TI	-40 to 85	
LM4040CIM3-5.0/NOPB	Active	Production	SOT-23 (DBZ) 3	3000 SMALL T&R	Yes	NIPDAU	Level-1-260C-UNLIM	-	R5C
LM4040CIM3-8.2/NO.A	Active	Production	SOT-23 (DBZ) 3	3000 LARGE T&R	Yes	SN	Level-1-260C-UNLIM	-40 to 85	R8C
LM4040CIM3-8.2/NOPB	Active	Production	SOT-23 (DBZ) 3	3000 LARGE T&R	Yes	SN	Level-1-260C-UNLIM	-	R8C
LM4040CIM3X-10/NO.A	Active	Production	SOT-23 (DBZ) 3	3000 LARGE T&R	Yes	SN	Level-1-260C-UNLIM	-40 to 85	R0C
LM4040CIM3X-10/NOPB	Active	Production	SOT-23 (DBZ) 3	3000 LARGE T&R	Yes	SN	Level-1-260C-UNLIM	-	R0C
LM4040CIM3X-2.0/NO.A	Active	Production	SOT-23 (DBZ) 3	3000 LARGE T&R	Yes	NIPDAU	Level-1-260C-UNLIM	-40 to 85	RJC
LM4040CIM3X-2.0/NO.B	Active	Production	SOT-23 (DBZ) 3	3000 LARGE T&R	-	Call TI	Call TI	-40 to 85	
LM4040CIM3X-2.0/NOPB	Active	Production	SOT-23 (DBZ) 3	3000 LARGE T&R	Yes	NIPDAU	Level-1-260C-UNLIM	-	RJC
LM4040CIM3X-2.5/G4	Active	Production	SOT-23 (DBZ) 3	3000 LARGE T&R	Yes	NIPDAU	Level-1-260C-UNLIM	-40 to 85	R2C
LM4040CIM3X-2.5/G4.A	Active	Production	SOT-23 (DBZ) 3	3000 LARGE T&R	Yes	NIPDAU	Level-1-260C-UNLIM	-40 to 85	R2C
LM4040CIM3X-2.5/NO.A	Active	Production	SOT-23 (DBZ) 3	3000 LARGE T&R	Yes	NIPDAU	Level-1-260C-UNLIM	-40 to 85	R2C
LM4040CIM3X-2.5/NO.B	Active	Production	SOT-23 (DBZ) 3	3000 LARGE T&R	-	Call TI	Call TI	-40 to 85	
LM4040CIM3X-2.5/NOPB	Active	Production	SOT-23 (DBZ) 3	3000 LARGE T&R	Yes	NIPDAU	Level-1-260C-UNLIM	-	R2C
LM4040CIM3X-3.0/NO.A	Active	Production	SOT-23 (DBZ) 3	3000 LARGE T&R	Yes	NIPDAU	Level-1-260C-UNLIM	-40 to 85	RKC
LM4040CIM3X-3.0/NO.B	Active	Production	SOT-23 (DBZ) 3	3000 LARGE T&R	-	Call TI	Call TI	-40 to 85	

Orderable part number	Status (1)	Material type (2)	Package Pins	Package qty Carrier	RoHS (3)	Lead finish/ Ball material (4)	MSL rating/ Peak reflow (5)	Op temp (°C)	Part marking (6)
LM4040CIM3X-3.0/NOPB	Active	Production	SOT-23 (DBZ) 3	3000 LARGE T&R	Yes	NIPDAU	Level-1-260C-UNLIM	-	RKC
LM4040CIM3X-4.1/G4	Active	Production	SOT-23 (DBZ) 3	3000 LARGE T&R	Yes	NIPDAU	Level-1-260C-UNLIM	-40 to 85	R4C
LM4040CIM3X-4.1/G4.A	Active	Production	SOT-23 (DBZ) 3	3000 LARGE T&R	Yes	NIPDAU	Level-1-260C-UNLIM	-40 to 85	R4C
LM4040CIM3X-4.1/NO.A	Active	Production	SOT-23 (DBZ) 3	3000 LARGE T&R	Yes	NIPDAU	Level-1-260C-UNLIM	-40 to 85	R4C
LM4040CIM3X-4.1/NO.B	Active	Production	SOT-23 (DBZ) 3	3000 LARGE T&R	-	Call TI	Call TI	-40 to 85	
LM4040CIM3X-4.1/NOPB	Active	Production	SOT-23 (DBZ) 3	3000 LARGE T&R	Yes	NIPDAU	Level-1-260C-UNLIM	-	R4C
LM4040CIM3X-5.0/NO.A	Active	Production	SOT-23 (DBZ) 3	3000 LARGE T&R	Yes	NIPDAU	Level-1-260C-UNLIM	-40 to 85	R5C
LM4040CIM3X-5.0/NO.B	Active	Production	SOT-23 (DBZ) 3	3000 LARGE T&R	-	Call TI	Call TI	-40 to 85	
LM4040CIM3X-5.0/NOPB	Active	Production	SOT-23 (DBZ) 3	3000 LARGE T&R	Yes	NIPDAU	Level-1-260C-UNLIM	-	R5C
LM4040CIM7-2.0/NO.A	Active	Production	SC70 (DCK) 5	3000 LARGE T&R	Yes	SN	Level-1-260C-UNLIM	-40 to 85	RJC
LM4040CIM7-2.0/NOPB	Active	Production	SC70 (DCK) 5	3000 LARGE T&R	Yes	SN	Level-1-260C-UNLIM	-	RJC
LM4040CIM7-2.5/NO.A	Active	Production	SC70 (DCK) 5	3000 SMALL T&R	Yes	SN	Level-1-260C-UNLIM	-40 to 85	R2C
LM4040CIM7-2.5/NOPB	Active	Production	SC70 (DCK) 5	3000 SMALL T&R	Yes	SN	Level-1-260C-UNLIM	-	R2C
LM4040CIM7X-2.5/NO.A	Active	Production	SC70 (DCK) 5	3000 LARGE T&R	Yes	SN	Level-1-260C-UNLIM	-40 to 85	R2C
LM4040CIM7X-2.5/NOPB	Active	Production	SC70 (DCK) 5	3000 LARGE T&R	Yes	SN	Level-1-260C-UNLIM	-	R2C
LM4040CIZ-10.0/NOPB	Active	Production	TO-92 (LP) 3	1800 BULK	Yes	Call TI	N/A for Pkg Type	-	4040C IZ10
LM4040CIZ-2.5/LFT8	Active	Production	TO-92 (LP) 3	2000 LARGE T&R	Yes	Call TI	N/A for Pkg Type	-	4040C IZ2.5
LM4040CIZ-2.5/LFT8.A	Active	Production	TO-92 (LP) 3	2000 LARGE T&R	Yes	Call TI	N/A for Pkg Type	-40 to 85	4040C IZ2.5
LM4040CIZ-2.5/LFT8.B	Active	Production	TO-92 (LP) 3	2000 LARGE T&R	Yes	Call TI	N/A for Pkg Type	-40 to 85	4040C IZ2.5
LM4040CIZ-2.5/NOPB	Active	Production	TO-92 (LP) 3	1800 BULK	Yes	Call TI Sn	N/A for Pkg Type	-	4040C IZ2.5
LM4040CIZ-2.5/NOPB.A	Active	Production	TO-92 (LP) 3	1800 BULK	Yes	SN	N/A for Pkg Type	-40 to 85	4040C IZ2.5
LM4040CIZ-2.5/NOPB.B	Active	Production	TO-92 (LP) 3	1800 BULK	Yes	SN	N/A for Pkg Type	-40 to 85	4040C IZ2.5
LM4040CIZ-4.1/NOPB	Active	Production	TO-92 (LP) 3	1800 BULK	Yes	Call TI Sn	N/A for Pkg Type	-	4040C IZ4.1
LM4040CIZ-4.1/NOPB.A	Active	Production	TO-92 (LP) 3	1800 BULK	Yes	SN	N/A for Pkg Type	-40 to 85	4040C IZ4.1

Orderable part number	Status (1)	Material type (2)	Package Pins	Package qty Carrier	RoHS (3)	Lead finish/ Ball material (4)	MSL rating/ Peak reflow (5)	Op temp (°C)	Part marking (6)
LM4040CIZ-4.1/NOPB.B	Active	Production	TO-92 (LP) 3	1800 BULK	Yes	SN	N/A for Pkg Type	-40 to 85	4040C IZ4.1
LM4040CIZ-5.0/NOPB	Active	Production	TO-92 (LP) 3	1800 BULK	Yes	Call TI Sn	N/A for Pkg Type	-	4040C IZ5.0
LM4040CIZ-5.0/NOPB.A	Active	Production	TO-92 (LP) 3	1800 BULK	Yes	SN	N/A for Pkg Type	-40 to 85	4040C IZ5.0
LM4040CIZ-5.0/NOPB.B	Active	Production	TO-92 (LP) 3	1800 BULK	Yes	SN	N/A for Pkg Type	-40 to 85	4040C IZ5.0
LM4040DEM3-2.0/NO.A	Active	Production	SOT-23 (DBZ) 3	3000 LARGE T&R	Yes	NIPDAU	Level-1-260C-UNLIM	-40 to 85	RJD
LM4040DEM3-2.0/NOPB	Active	Production	SOT-23 (DBZ) 3	3000 LARGE T&R	Yes	NIPDAU	Level-1-260C-UNLIM	-	RJD
LM4040DEM3-2.5/NO.A	Active	Production	SOT-23 (DBZ) 3	3000 SMALL T&R	Yes	NIPDAU	Level-1-260C-UNLIM	-40 to 85	R2D
LM4040DEM3-2.5/NO.B	Active	Production	SOT-23 (DBZ) 3	3000 SMALL T&R	-	Call TI	Call TI	-40 to 85	
LM4040DEM3-2.5/NOPB	Active	Production	SOT-23 (DBZ) 3	3000 SMALL T&R	Yes	NIPDAU SN	Level-1-260C-UNLIM	-	R2D
LM4040DEM3-3.0/NO.A	Active	Production	SOT-23 (DBZ) 3	3000 LARGE T&R	Yes	NIPDAU	Level-1-260C-UNLIM	-40 to 85	RKD
LM4040DEM3-3.0/NO.B	Active	Production	SOT-23 (DBZ) 3	3000 LARGE T&R	-	Call TI	Call TI	-40 to 85	
LM4040DEM3-3.0/NOPB	Active	Production	SOT-23 (DBZ) 3	3000 LARGE T&R	Yes	NIPDAU	Level-1-260C-UNLIM	-	RKD
LM4040DEM3-5.0/NO.A	Active	Production	SOT-23 (DBZ) 3	3000 SMALL T&R	Yes	NIPDAU	Level-1-260C-UNLIM	-40 to 85	R5D
LM4040DEM3-5.0/NOPB	Active	Production	SOT-23 (DBZ) 3	3000 SMALL T&R	Yes	NIPDAU	Level-1-260C-UNLIM	-	R5D
LM4040DEM3X-2.5/NO.A	Active	Production	SOT-23 (DBZ) 3	3000 LARGE T&R	Yes	NIPDAU	Level-1-260C-UNLIM	-40 to 85	R2D
LM4040DEM3X-2.5/NO.B	Active	Production	SOT-23 (DBZ) 3	3000 LARGE T&R	-	Call TI	Call TI	-40 to 85	
LM4040DEM3X-2.5/NOPB	Active	Production	SOT-23 (DBZ) 3	3000 LARGE T&R	Yes	NIPDAU SN	Level-1-260C-UNLIM	-	R2D
LM4040DEM3X-5.0/NO.A	Active	Production	SOT-23 (DBZ) 3	3000 LARGE T&R	Yes	NIPDAU	Level-1-260C-UNLIM	-40 to 85	R5D
LM4040DEM3X-5.0/NO.B	Active	Production	SOT-23 (DBZ) 3	3000 LARGE T&R	-	Call TI	Call TI	-40 to 85	
LM4040DEM3X-5.0/NOPB	Active	Production	SOT-23 (DBZ) 3	3000 LARGE T&R	Yes	NIPDAU	Level-1-260C-UNLIM	-	R5D
LM4040DIM3-10.0/NO.A	Active	Production	SOT-23 (DBZ) 3	3000 LARGE T&R	Yes	SN	Level-1-260C-UNLIM	-40 to 85	R0D
LM4040DIM3-10.0/NOPB	Active	Production	SOT-23 (DBZ) 3	3000 LARGE T&R	Yes	SN	Level-1-260C-UNLIM	-	R0D
LM4040DIM3-2.0/NO.A	Active	Production	SOT-23 (DBZ) 3	3000 SMALL T&R	Yes	NIPDAU	Level-1-260C-UNLIM	-40 to 85	RJD
LM4040DIM3-2.0/NOPB	Active	Production	SOT-23 (DBZ) 3	3000 SMALL T&R	Yes	NIPDAU	Level-1-260C-UNLIM	-	RJD
LM4040DIM3-2.5/NO.A	Active	Production	SOT-23 (DBZ) 3	3000 SMALL T&R	Yes	NIPDAU	Level-1-260C-UNLIM	-40 to 85	R2D
LM4040DIM3-2.5/NO.B	Active	Production	SOT-23 (DBZ) 3	3000 SMALL T&R	-	Call TI	Call TI	-40 to 85	
LM4040DIM3-2.5/NOPB	Active	Production	SOT-23 (DBZ) 3	3000 SMALL T&R	Yes	NIPDAU SN	Level-1-260C-UNLIM	-	R2D
LM4040DIM3-3.0/NO.A	Active	Production	SOT-23 (DBZ) 3	3000 SMALL T&R	Yes	NIPDAU	Level-1-260C-UNLIM	-40 to 85	RKD

Orderable part number	Status (1)	Material type (2)	Package Pins	Package qty Carrier	RoHS (3)	Lead finish/ Ball material (4)	MSL rating/ Peak reflow (5)	Op temp (°C)	Part marking (6)
LM4040DIM3-3.0/NOPB	Active	Production	SOT-23 (DBZ) 3	3000 SMALL T&R	Yes	NIPDAU	Level-1-260C-UNLIM	-	RKD
LM4040DIM3-4.1/NO.A	Active	Production	SOT-23 (DBZ) 3	3000 SMALL T&R	Yes	NIPDAU	Level-1-260C-UNLIM	-40 to 85	R4D
LM4040DIM3-4.1/NO.B	Active	Production	SOT-23 (DBZ) 3	3000 SMALL T&R	-	Call TI	Call TI	-40 to 85	
LM4040DIM3-4.1/NOPB	Active	Production	SOT-23 (DBZ) 3	3000 SMALL T&R	Yes	NIPDAU	Level-1-260C-UNLIM	-	R4D
LM4040DIM3-5.0/NO.A	Active	Production	SOT-23 (DBZ) 3	3000 SMALL T&R	Yes	NIPDAU	Level-1-260C-UNLIM	-40 to 85	R5D
LM4040DIM3-5.0/NOPB	Active	Production	SOT-23 (DBZ) 3	3000 SMALL T&R	Yes	NIPDAU	Level-1-260C-UNLIM	-	R5D
LM4040DIM3-8.2/NO.A	Active	Production	SOT-23 (DBZ) 3	3000 LARGE T&R	Yes	SN	Level-1-260C-UNLIM	-40 to 85	R8D
LM4040DIM3-8.2/NO.B	Active	Production	SOT-23 (DBZ) 3	3000 LARGE T&R	Yes	SN	Level-1-260C-UNLIM	-40 to 85	R8D
LM4040DIM3-8.2/NOPB	Active	Production	SOT-23 (DBZ) 3	3000 LARGE T&R	Yes	SN	Level-1-260C-UNLIM	-	R8D
LM4040DIM3X-10/NO.A	Active	Production	SOT-23 (DBZ) 3	3000 LARGE T&R	Yes	SN	Level-1-260C-UNLIM	-40 to 85	R0D
LM4040DIM3X-10/NOPB	Active	Production	SOT-23 (DBZ) 3	3000 LARGE T&R	Yes	SN	Level-1-260C-UNLIM	-	R0D
LM4040DIM3X-2.0/NO.A	Active	Production	SOT-23 (DBZ) 3	3000 LARGE T&R	Yes	NIPDAU	Level-1-260C-UNLIM	-40 to 85	RJD
LM4040DIM3X-2.0/NO.B	Active	Production	SOT-23 (DBZ) 3	3000 LARGE T&R	-	Call TI	Call TI	-40 to 85	
LM4040DIM3X-2.0/NOPB	Active	Production	SOT-23 (DBZ) 3	3000 LARGE T&R	Yes	NIPDAU	Level-1-260C-UNLIM	-	RJD
LM4040DIM3X-2.5/NO.A	Active	Production	SOT-23 (DBZ) 3	3000 LARGE T&R	Yes	NIPDAU	Level-1-260C-UNLIM	-40 to 85	R2D
LM4040DIM3X-2.5/NO.B	Active	Production	SOT-23 (DBZ) 3	3000 LARGE T&R	-	Call TI	Call TI	-40 to 85	
LM4040DIM3X-2.5/NOPB	Active	Production	SOT-23 (DBZ) 3	3000 LARGE T&R	Yes	NIPDAU SN	Level-1-260C-UNLIM	-	R2D
LM4040DIM3X-3.0/NO.A	Active	Production	SOT-23 (DBZ) 3	3000 LARGE T&R	Yes	NIPDAU	Level-1-260C-UNLIM	-40 to 85	RKD
LM4040DIM3X-3.0/NO.B	Active	Production	SOT-23 (DBZ) 3	3000 LARGE T&R	-	Call TI	Call TI	-40 to 85	
LM4040DIM3X-3.0/NOPB	Active	Production	SOT-23 (DBZ) 3	3000 LARGE T&R	Yes	NIPDAU	Level-1-260C-UNLIM	-	RKD
LM4040DIM3X-4.1/NO.A	Active	Production	SOT-23 (DBZ) 3	3000 LARGE T&R	Yes	NIPDAU	Level-1-260C-UNLIM	-40 to 85	R4D
LM4040DIM3X-4.1/NO.B	Active	Production	SOT-23 (DBZ) 3	3000 LARGE T&R	-	Call TI	Call TI	-40 to 85	
LM4040DIM3X-4.1/NOPB	Active	Production	SOT-23 (DBZ) 3	3000 LARGE T&R	Yes	NIPDAU	Level-1-260C-UNLIM	-	R4D
LM4040DIM3X-5.0/NO.A	Active	Production	SOT-23 (DBZ) 3	3000 LARGE T&R	Yes	NIPDAU	Level-1-260C-UNLIM	-40 to 85	R5D
LM4040DIM3X-5.0/NO.B	Active	Production	SOT-23 (DBZ) 3	3000 LARGE T&R	-	Call TI	Call TI	-40 to 85	
LM4040DIM3X-5.0/NOPB	Active	Production	SOT-23 (DBZ) 3	3000 LARGE T&R	Yes	NIPDAU	Level-1-260C-UNLIM	-	R5D
LM4040DIM7-2.0/NO.A	Active	Production	SC70 (DCK) 5	3000 LARGE T&R	Yes	SN	Level-1-260C-UNLIM	-40 to 85	RJD
LM4040DIM7-2.0/NOPB	Active	Production	SC70 (DCK) 5	3000 LARGE T&R	Yes	SN	Level-1-260C-UNLIM	-	RJD
LM4040DIM7-2.5/NO.A	Active	Production	SC70 (DCK) 5	3000 LARGE T&R	Yes	SN	Level-1-260C-UNLIM	-40 to 85	R2D
LM4040DIM7-2.5/NOPB	Active	Production	SC70 (DCK) 5	3000 LARGE T&R	Yes	SN	Level-1-260C-UNLIM	-	R2D
LM4040DIM7-5.0/NO.A	Active	Production	SC70 (DCK) 5	3000 LARGE T&R	Yes	SN	Level-1-260C-UNLIM	-40 to 85	R5D

Orderable part number	Status (1)	Material type (2)	Package Pins	Package qty Carrier	RoHS (3)	Lead finish/ Ball material (4)	MSL rating/ Peak reflow (5)	Op temp (°C)	Part marking (6)
LM4040DIM7-5.0/NOPB	Active	Production	SC70 (DCK) 5	3000 LARGE T&R	Yes	SN	Level-1-260C-UNLIM	-	R5D
LM4040DIZ-10.0/NOPB	Active	Production	TO-92 (LP) 3	1800 BULK	Yes	Call TI	N/A for Pkg Type	-	4040D IZ10
LM4040DIZ-2.5/NOPB	Active	Production	TO-92 (LP) 3	1800 BULK	Yes	Call TI Sn	N/A for Pkg Type	-	4040D IZ2.5
LM4040DIZ-2.5/NOPB.A	Active	Production	TO-92 (LP) 3	1800 BULK	Yes	Call TI	N/A for Pkg Type	-40 to 85	4040D IZ2.5
LM4040DIZ-2.5/NOPB.B	Active	Production	TO-92 (LP) 3	1800 BULK	Yes	Call TI	N/A for Pkg Type	-40 to 85	4040D IZ2.5
LM4040DIZ-4.1/NOPB	Active	Production	TO-92 (LP) 3	1800 BULK	Yes	Call TI Sn	N/A for Pkg Type	-	4040D IZ4.1
LM4040DIZ-4.1/NOPB.A	Active	Production	TO-92 (LP) 3	1800 BULK	Yes	SN	N/A for Pkg Type	-40 to 85	4040D IZ4.1
LM4040DIZ-4.1/NOPB.B	Active	Production	TO-92 (LP) 3	1800 BULK	Yes	SN	N/A for Pkg Type	-40 to 85	4040D IZ4.1
LM4040DIZ-5.0/LFT1	Active	Production	TO-92 (LP) 3	2000 LARGE T&R	Yes	SN	N/A for Pkg Type	-	4040D IZ5.0
LM4040DIZ-5.0/LFT1.B	Active	Production	TO-92 (LP) 3	2000 LARGE T&R	Yes	SN	N/A for Pkg Type	-40 to 85	4040D IZ5.0
LM4040DIZ-5.0/NOPB	Active	Production	TO-92 (LP) 3	1800 BULK	Yes	Call TI Sn	N/A for Pkg Type	-	4040D IZ5.0
LM4040DIZ-5.0/NOPB.A	Active	Production	TO-92 (LP) 3	1800 BULK	Yes	SN	N/A for Pkg Type	-40 to 85	4040D IZ5.0
LM4040DIZ-5.0/NOPB.B	Active	Production	TO-92 (LP) 3	1800 BULK	Yes	SN	N/A for Pkg Type	-40 to 85	4040D IZ5.0
LM4040EEM3-2.5/NO.A	Active	Production	SOT-23 (DBZ) 3	3000 LARGE T&R	Yes	NIPDAU	Level-1-260C-UNLIM	-40 to 85	R2E
LM4040EEM3-2.5/NOPB	Active	Production	SOT-23 (DBZ) 3	3000 LARGE T&R	Yes	NIPDAU	Level-1-260C-UNLIM	-	R2E
LM4040EIM3-2.5/NO.A	Active	Production	SOT-23 (DBZ) 3	3000 LARGE T&R	Yes	NIPDAU	Level-1-260C-UNLIM	-40 to 85	R2E
LM4040EIM3-2.5/NOPB	Active	Production	SOT-23 (DBZ) 3	3000 LARGE T&R	Yes	NIPDAU	Level-1-260C-UNLIM	-	R2E
LM4040EIM3-3.0/NO.A	Active	Production	SOT-23 (DBZ) 3	1000 SMALL T&R	Yes	NIPDAU	Level-1-260C-UNLIM	-40 to 85	RKE
LM4040EIM3-3.0/NOPB	Active	Production	SOT-23 (DBZ) 3	1000 SMALL T&R	Yes	NIPDAU	Level-1-260C-UNLIM	-	RKE
LM4040EIM3X-2.5/NO.A	Active	Production	SOT-23 (DBZ) 3	3000 LARGE T&R	Yes	NIPDAU	Level-1-260C-UNLIM	-40 to 85	R2E
LM4040EIM3X-2.5/NO.B	Active	Production	SOT-23 (DBZ) 3	3000 LARGE T&R	-	Call TI	Call TI	-40 to 85	
LM4040EIM3X-2.5/NOPB	Active	Production	SOT-23 (DBZ) 3	3000 LARGE T&R	Yes	NIPDAU SN	Level-1-260C-UNLIM	-	R2E

Orderable part number	Status (1)	Material type (2)	Package Pins	Package qty Carrier	RoHS (3)	Lead finish/ Ball material (4)	MSL rating/ Peak reflow (5)	Op temp (°C)	Part marking (6)
LM4040EIM3X-3.0/NO.A	Active	Production	SOT-23 (DBZ) 3	3000 LARGE T&R	Yes	NIPDAU	Level-1-260C-UNLIM	-40 to 85	RKE
LM4040EIM3X-3.0/NOPB	Active	Production	SOT-23 (DBZ) 3	3000 LARGE T&R	Yes	NIPDAU	Level-1-260C-UNLIM	-	RKE
LM4040EIM7-2.0/NO.A	Active	Production	SC70 (DCK) 5	3000 LARGE T&R	Yes	SN	Level-1-260C-UNLIM	-40 to 85	RJE
LM4040EIM7-2.0/NOPB	Active	Production	SC70 (DCK) 5	3000 LARGE T&R	Yes	SN	Level-1-260C-UNLIM	-	RJE
LM4040QAIM3-2.5/NO.A	Active	Production	SOT-23 (DBZ) 3	3000 SMALL T&R	Yes	SN	Level-1-260C-UNLIM	-40 to 125	R6A
LM4040QAIM3-2.5/NOPB	Active	Production	SOT-23 (DBZ) 3	3000 SMALL T&R	Yes	SN	Level-1-260C-UNLIM	-	R6A
LM4040QAIM3X2.5/NO.A	Active	Production	SOT-23 (DBZ) 3	3000 LARGE T&R	Yes	SN	Level-1-260C-UNLIM	-40 to 125	R6A
LM4040QAIM3X2.5/NO.B	Active	Production	SOT-23 (DBZ) 3	3000 LARGE T&R	Yes	SN	Level-1-260C-UNLIM	-40 to 125	R6A
LM4040QAIM3X2.5/NOPB	Active	Production	SOT-23 (DBZ) 3	3000 LARGE T&R	Yes	SN	Level-1-260C-UNLIM	-	R6A
LM4040QBIM3-2.5/NOPB	NRND	Production	SOT-23 (DBZ) 3	1000 SMALL T&R	Yes	SN	Level-1-260C-UNLIM	-	R6B
LM4040QBIM3X2.5/NO.A	Active	Production	SOT-23 (DBZ) 3	3000 LARGE T&R	Yes	SN	Level-1-260C-UNLIM	-40 to 125	R6B
LM4040QBIM3X2.5/NO.B	Active	Production	SOT-23 (DBZ) 3	3000 LARGE T&R	Yes	SN	Level-1-260C-UNLIM	-40 to 125	R6B
LM4040QBIM3X2.5/NOPB	Active	Production	SOT-23 (DBZ) 3	3000 LARGE T&R	Yes	SN	Level-1-260C-UNLIM	-	R6B
LM4040QCEM3-2.5/NO.A	Active	Production	SOT-23 (DBZ) 3	3000 LARGE T&R	Yes	SN	Level-1-260C-UNLIM	-40 to 125	R2C
LM4040QCEM3-2.5/NOPB	Active	Production	SOT-23 (DBZ) 3	3000 LARGE T&R	Yes	SN	Level-1-260C-UNLIM	-	R2C
LM4040QCEM3-3.0/NO.A	Active	Production	SOT-23 (DBZ) 3	3000 LARGE T&R	Yes	SN	Level-1-260C-UNLIM	-40 to 125	R3C
LM4040QCEM3-3.0/NOPB	Active	Production	SOT-23 (DBZ) 3	3000 LARGE T&R	Yes	SN	Level-1-260C-UNLIM	-40 to 125	R3C
LM4040QCIM3-2.5/NO.A	Active	Production	SOT-23 (DBZ) 3	3000 SMALL T&R	Yes	SN	Level-1-260C-UNLIM	-40 to 125	R6C
LM4040QCIM3-2.5/NOPB	Active	Production	SOT-23 (DBZ) 3	3000 SMALL T&R	Yes	SN	Level-1-260C-UNLIM	-	R6C
LM4040QCIM3X2.5/NO.A	Active	Production	SOT-23 (DBZ) 3	3000 LARGE T&R	Yes	SN	Level-1-260C-UNLIM	-40 to 125	R6C
LM4040QCIM3X2.5/NOPB	Active	Production	SOT-23 (DBZ) 3	3000 LARGE T&R	Yes	SN	Level-1-260C-UNLIM	-	R6C
LM4040QDEM3-2.5/NO.A	Active	Production	SOT-23 (DBZ) 3	3000 LARGE T&R	Yes	SN	Level-1-260C-UNLIM	-40 to 125	R2D
LM4040QDEM3-2.5/NOPB	Active	Production	SOT-23 (DBZ) 3	3000 LARGE T&R	Yes	SN	Level-1-260C-UNLIM	-	R2D
LM4040QDEM3-3.0/NO.A	Active	Production	SOT-23 (DBZ) 3	3000 LARGE T&R	Yes	SN	Level-1-260C-UNLIM	-40 to 125	R3D
LM4040QDEM3-3.0/NOPB	Active	Production	SOT-23 (DBZ) 3	3000 LARGE T&R	Yes	SN	Level-1-260C-UNLIM	-40 to 125	R3D
LM4040QDIM3-2.5/NO.A	Active	Production	SOT-23 (DBZ) 3	3000 SMALL T&R	Yes	SN	Level-1-260C-UNLIM	-40 to 125	R6D
LM4040QDIM3-2.5/NOPB	Active	Production	SOT-23 (DBZ) 3	3000 SMALL T&R	Yes	SN	Level-1-260C-UNLIM	-	R6D
LM4040QDIM3X2.5/NO.A	Active	Production	SOT-23 (DBZ) 3	3000 LARGE T&R	Yes	SN	Level-1-260C-UNLIM	-40 to 125	R6D
LM4040QDIM3X2.5/NOPB	Active	Production	SOT-23 (DBZ) 3	3000 LARGE T&R	Yes	SN	Level-1-260C-UNLIM	-	R6D
LM4040QEEM3-2.5/NO.A	Active	Production	SOT-23 (DBZ) 3	3000 LARGE T&R	Yes	SN	Level-1-260C-UNLIM	-40 to 125	R2E
LM4040QEEM3-2.5/NOPB	Active	Production	SOT-23 (DBZ) 3	3000 LARGE T&R	Yes	SN	Level-1-260C-UNLIM	-	R2E

Orderable part number	Status (1)	Material type (2)	Package Pins	Package qty Carrier	RoHS (3)	Lead finish/ Ball material (4)	MSL rating/ Peak reflow (5)	Op temp (°C)	Part marking (6)
LM4040QEEM3-3.0/NO.A	Active	Production	SOT-23 (DBZ) 3	3000 LARGE T&R	Yes	SN	Level-1-260C-UNLIM	-40 to 125	R3E
LM4040QEEM3-3.0/NOPB	Active	Production	SOT-23 (DBZ) 3	3000 LARGE T&R	Yes	SN	Level-1-260C-UNLIM	-40 to 125	R3E
LM4040QEIM3-2.5/NO.A	Active	Production	SOT-23 (DBZ) 3	3000 SMALL T&R	Yes	SN	Level-1-260C-UNLIM	-40 to 125	R6E
LM4040QEIM3-2.5/NOPB	Active	Production	SOT-23 (DBZ) 3	3000 SMALL T&R	Yes	SN	Level-1-260C-UNLIM	-	R6E
LM4040QEIM3X2.5/NO.A	Active	Production	SOT-23 (DBZ) 3	3000 LARGE T&R	Yes	SN	Level-1-260C-UNLIM	-40 to 125	R6E
LM4040QEIM3X2.5/NOPB	Active	Production	SOT-23 (DBZ) 3	3000 LARGE T&R	Yes	SN	Level-1-260C-UNLIM	-	R6E

(1) **Status:** For more details on status, see our [product life cycle](#).

(2) **Material type:** When designated, preproduction parts are prototypes/experimental devices, and are not yet approved or released for full production. Testing and final process, including without limitation quality assurance, reliability performance testing, and/or process qualification, may not yet be complete, and this item is subject to further changes or possible discontinuation. If available for ordering, purchases will be subject to an additional waiver at checkout, and are intended for early internal evaluation purposes only. These items are sold without warranties of any kind.

(3) **RoHS values:** Yes, No, RoHS Exempt. See the [TI RoHS Statement](#) for additional information and value definition.

(4) **Lead finish/Ball material:** Parts may have multiple material finish options. Finish options are separated by a vertical ruled line. Lead finish/Ball material values may wrap to two lines if the finish value exceeds the maximum column width.

(5) **MSL rating/Peak reflow:** The moisture sensitivity level ratings and peak solder (reflow) temperatures. In the event that a part has multiple moisture sensitivity ratings, only the lowest level per JEDEC standards is shown. Refer to the shipping label for the actual reflow temperature that will be used to mount the part to the printed circuit board.

(6) **Part marking:** There may be an additional marking, which relates to the logo, the lot trace code information, or the environmental category of the part.

Multiple part markings will be inside parentheses. Only one part marking contained in parentheses and separated by a "~" will appear on a part. If a line is indented then it is a continuation of the previous line and the two combined represent the entire part marking for that device.

Important Information and Disclaimer: The information provided on this page represents TI's knowledge and belief as of the date that it is provided. TI bases its knowledge and belief on information provided by third parties, and makes no representation or warranty as to the accuracy of such information. Efforts are underway to better integrate information from third parties. TI has taken and continues to take reasonable steps to provide representative and accurate information but may not have conducted destructive testing or chemical analysis on incoming materials and chemicals. TI and TI suppliers consider certain information to be proprietary, and thus CAS numbers and other limited information may not be available for release.

In no event shall TI's liability arising out of such information exceed the total purchase price of the TI part(s) at issue in this document sold by TI to Customer on an annual basis.

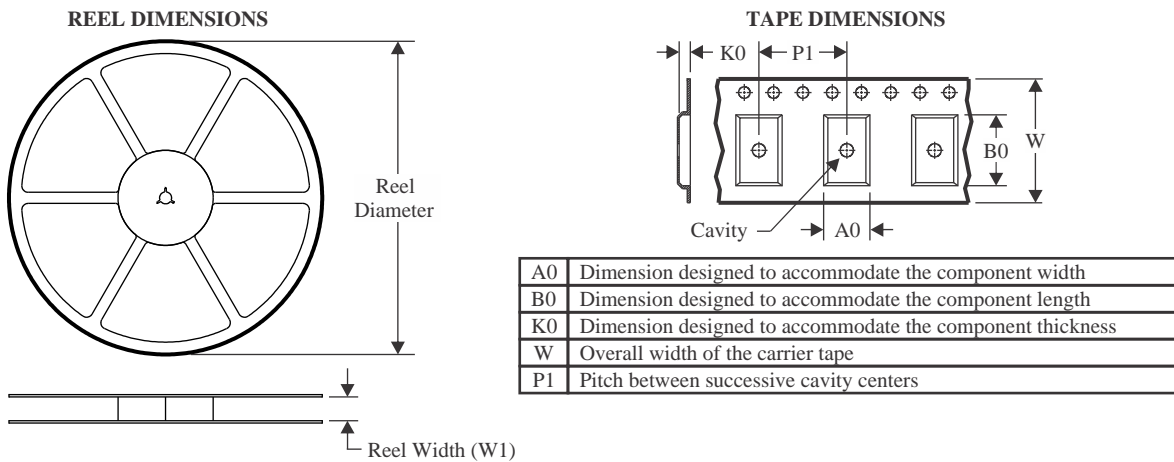
OTHER QUALIFIED VERSIONS OF LM4040-N, LM4040-N-Q1 :

- Catalog : [LM4040-N](#)
- Automotive : [LM4040-N-Q1](#)

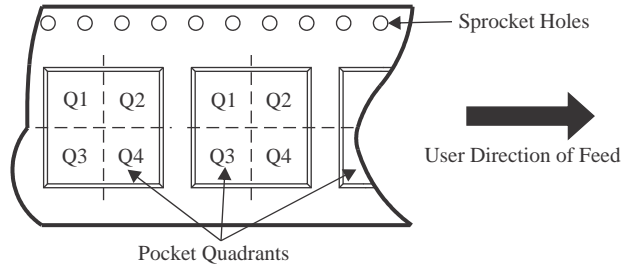
NOTE: Qualified Version Definitions:

- Catalog - TI's standard catalog product
- Automotive - Q100 devices qualified for high-reliability automotive applications targeting zero defects

TAPE AND REEL INFORMATION



QUADRANT ASSIGNMENTS FOR PIN 1 ORIENTATION IN TAPE



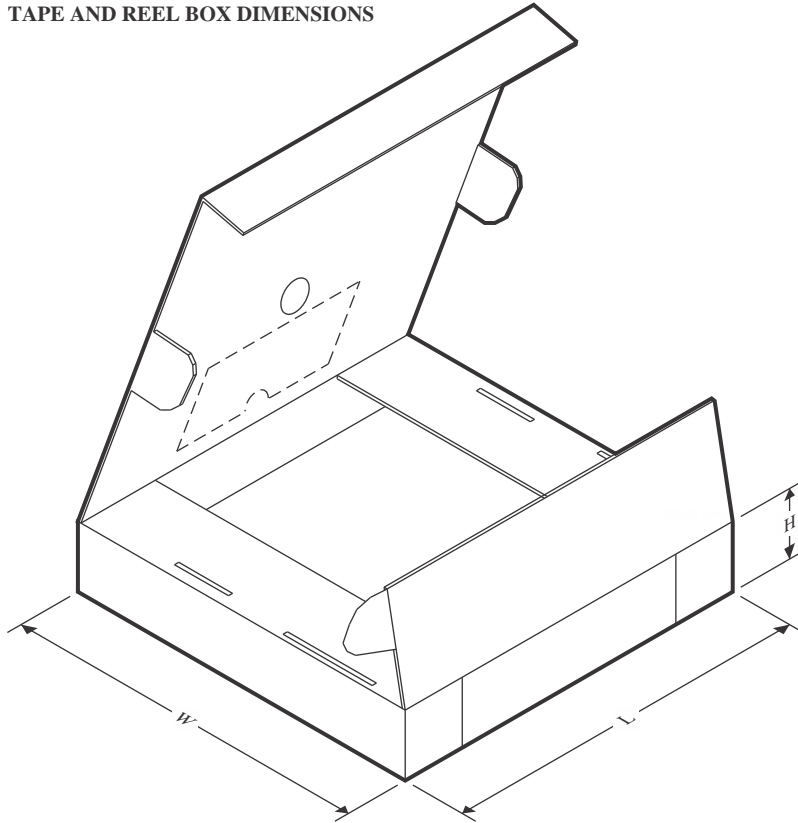
*All dimensions are nominal

Device	Package Type	Package Drawing	Pins	SPQ	Reel Diameter (mm)	Reel Width W1 (mm)	A0 (mm)	B0 (mm)	K0 (mm)	P1 (mm)	W (mm)	Pin1 Quadrant
LM4040AIM3-10.0/NOPB	SOT-23	DBZ	3	3000	178.0	8.4	3.3	2.9	1.22	4.0	8.0	Q3
LM4040AIM3-2.0/NOPB	SOT-23	DBZ	3	3000	180.0	8.4	2.9	3.35	1.35	4.0	8.0	Q3
LM4040AIM3-2.5/NOPB	SOT-23	DBZ	3	3000	180.0	8.4	2.9	3.35	1.35	4.0	8.0	Q3
LM4040AIM3-3.0/NOPB	SOT-23	DBZ	3	3000	180.0	8.4	2.9	3.35	1.35	4.0	8.0	Q3
LM4040AIM3-4.1/NOPB	SOT-23	DBZ	3	3000	180.0	8.4	2.9	3.35	1.35	4.0	8.0	Q3
LM4040AIM3-5.0/NOPB	SOT-23	DBZ	3	3000	180.0	8.4	2.9	3.35	1.35	4.0	8.0	Q3
LM4040AIM3X-10/NOPB	SOT-23	DBZ	3	3000	178.0	8.4	3.3	2.9	1.22	4.0	8.0	Q3
LM4040AIM3X-2.0/G4	SOT-23	DBZ	3	3000	180.0	8.4	2.9	3.35	1.35	4.0	8.0	Q3
LM4040AIM3X-2.0/NOPB	SOT-23	DBZ	3	3000	180.0	8.4	2.9	3.35	1.35	4.0	8.0	Q3
LM4040AIM3X-2.5/NOPB	SOT-23	DBZ	3	3000	180.0	8.4	2.9	3.35	1.35	4.0	8.0	Q3
LM4040AIM3X-3.0/NOPB	SOT-23	DBZ	3	3000	180.0	8.4	2.9	3.35	1.35	4.0	8.0	Q3
LM4040AIM3X-4.1/NOPB	SOT-23	DBZ	3	3000	180.0	8.4	2.9	3.35	1.35	4.0	8.0	Q3
LM4040AIM3X-5.0/NOPB	SOT-23	DBZ	3	3000	180.0	8.4	2.9	3.35	1.35	4.0	8.0	Q3
LM4040BIM3-10.0/NOPB	SOT-23	DBZ	3	3000	178.0	8.4	3.3	2.9	1.22	4.0	8.0	Q3
LM4040BIM3-2.0/NOPB	SOT-23	DBZ	3	3000	180.0	8.4	2.9	3.35	1.35	4.0	8.0	Q3
LM4040BIM3-2.5/NOPB	SOT-23	DBZ	3	3000	180.0	8.4	2.9	3.35	1.35	4.0	8.0	Q3

Device	Package Type	Package Drawing	Pins	SPQ	Reel Diameter (mm)	Reel Width W1 (mm)	A0 (mm)	B0 (mm)	K0 (mm)	P1 (mm)	W (mm)	Pin1 Quadrant
LM4040BIM3-3.0/NOPB	SOT-23	DBZ	3	3000	180.0	8.4	2.9	3.35	1.35	4.0	8.0	Q3
LM4040BIM3-4.1/NOPB	SOT-23	DBZ	3	3000	180.0	8.4	2.9	3.35	1.35	4.0	8.0	Q3
LM4040BIM3-5.0/NOPB	SOT-23	DBZ	3	3000	180.0	8.4	2.9	3.35	1.35	4.0	8.0	Q3
LM4040BIM3-8.2/NOPB	SOT-23	DBZ	3	3000	178.0	8.4	3.3	2.9	1.22	4.0	8.0	Q3
LM4040BIM3X-10/NOPB	SOT-23	DBZ	3	3000	178.0	8.4	3.3	2.9	1.22	4.0	8.0	Q3
LM4040BIM3X-2.0/NOPB	SOT-23	DBZ	3	3000	180.0	8.4	2.9	3.35	1.35	4.0	8.0	Q3
LM4040BIM3X-2.5/NOPB	SOT-23	DBZ	3	3000	180.0	8.4	2.9	3.35	1.35	4.0	8.0	Q3
LM4040BIM3X-3.0/NOPB	SOT-23	DBZ	3	3000	180.0	8.4	2.9	3.35	1.35	4.0	8.0	Q3
LM4040BIM3X-4.1/NOPB	SOT-23	DBZ	3	3000	180.0	8.4	2.9	3.35	1.35	4.0	8.0	Q3
LM4040BIM3X-5.0/NOPB	SOT-23	DBZ	3	3000	180.0	8.4	2.9	3.35	1.35	4.0	8.0	Q3
LM4040BIM7-2.0/NOPB	SC70	DCK	5	3000	180.0	8.4	2.3	2.55	1.2	4.0	8.0	Q3
LM4040BIM7-2.0/NOPB	SC70	DCK	5	3000	178.0	8.4	2.25	2.45	1.2	4.0	8.0	Q3
LM4040BIM7-2.5/NOPB	SC70	DCK	5	3000	180.0	8.4	2.3	2.55	1.2	4.0	8.0	Q3
LM4040BIM7-2.5/NOPB	SC70	DCK	5	3000	178.0	8.4	2.25	2.45	1.2	4.0	8.0	Q3
LM4040BIM7-5.0/NOPB	SC70	DCK	5	3000	180.0	8.4	2.3	2.55	1.2	4.0	8.0	Q3
LM4040BIM7-5.0/NOPB	SC70	DCK	5	3000	178.0	8.4	2.25	2.45	1.2	4.0	8.0	Q3
LM4040BIM7X-2.5/NOPB	SC70	DCK	5	3000	180.0	8.4	2.3	2.55	1.2	4.0	8.0	Q3
LM4040BIM7X-2.5/NOPB	SC70	DCK	5	3000	178.0	8.4	2.25	2.45	1.2	4.0	8.0	Q3
LM4040CEM3-2.5/NOPB	SOT-23	DBZ	3	3000	180.0	8.4	2.9	3.35	1.35	4.0	8.0	Q3
LM4040CEM3-3.0/NOPB	SOT-23	DBZ	3	3000	180.0	8.4	2.9	3.35	1.35	4.0	8.0	Q3
LM4040CEM3-5.0/NOPB	SOT-23	DBZ	3	3000	180.0	8.4	2.9	3.35	1.35	4.0	8.0	Q3
LM4040CEM3X-3.0/NOPB	SOT-23	DBZ	3	3000	180.0	8.4	2.9	3.35	1.35	4.0	8.0	Q3
LM4040CEM3X-5.0/NOPB	SOT-23	DBZ	3	3000	180.0	8.4	2.9	3.35	1.35	4.0	8.0	Q3
LM4040CIM3-10.0/NOPB	SOT-23	DBZ	3	3000	178.0	8.4	3.3	2.9	1.22	4.0	8.0	Q3
LM4040CIM3-2.0/NOPB	SOT-23	DBZ	3	3000	180.0	8.4	2.9	3.35	1.35	4.0	8.0	Q3
LM4040CIM3-2.5/NOPB	SOT-23	DBZ	3	3000	180.0	8.4	2.9	3.35	1.35	4.0	8.0	Q3
LM4040CIM3-3.0/NOPB	SOT-23	DBZ	3	3000	180.0	8.4	2.9	3.35	1.35	4.0	8.0	Q3
LM4040CIM3-4.1/NOPB	SOT-23	DBZ	3	3000	180.0	8.4	2.9	3.35	1.35	4.0	8.0	Q3
LM4040CIM3-5.0/NOPB	SOT-23	DBZ	3	3000	180.0	8.4	2.9	3.35	1.35	4.0	8.0	Q3
LM4040CIM3-8.2/NOPB	SOT-23	DBZ	3	3000	178.0	8.4	3.3	2.9	1.22	4.0	8.0	Q3
LM4040CIM3X-10/NOPB	SOT-23	DBZ	3	3000	178.0	8.4	3.3	2.9	1.22	4.0	8.0	Q3
LM4040CIM3X-2.0/NOPB	SOT-23	DBZ	3	3000	180.0	8.4	2.9	3.35	1.35	4.0	8.0	Q3
LM4040CIM3X-2.5/G4	SOT-23	DBZ	3	3000	180.0	8.4	2.9	3.35	1.35	4.0	8.0	Q3
LM4040CIM3X-2.5/NOPB	SOT-23	DBZ	3	3000	180.0	8.4	2.9	3.35	1.35	4.0	8.0	Q3
LM4040CIM3X-3.0/NOPB	SOT-23	DBZ	3	3000	180.0	8.4	2.9	3.35	1.35	4.0	8.0	Q3
LM4040CIM3X-4.1/G4	SOT-23	DBZ	3	3000	180.0	8.4	2.9	3.35	1.35	4.0	8.0	Q3
LM4040CIM3X-4.1/NOPB	SOT-23	DBZ	3	3000	180.0	8.4	2.9	3.35	1.35	4.0	8.0	Q3
LM4040CIM3X-5.0/NOPB	SOT-23	DBZ	3	3000	180.0	8.4	2.9	3.35	1.35	4.0	8.0	Q3
LM4040CIM7-2.0/NOPB	SC70	DCK	5	3000	180.0	8.4	2.3	2.55	1.2	4.0	8.0	Q3
LM4040CIM7-2.0/NOPB	SC70	DCK	5	3000	178.0	8.4	2.25	2.45	1.2	4.0	8.0	Q3
LM4040CIM7-2.5/NOPB	SC70	DCK	5	3000	180.0	8.4	2.3	2.55	1.2	4.0	8.0	Q3

Device	Package Type	Package Drawing	Pins	SPQ	Reel Diameter (mm)	Reel Width W1 (mm)	A0 (mm)	B0 (mm)	K0 (mm)	P1 (mm)	W (mm)	Pin1 Quadrant
LM4040CIM7-2.5/NOPB	SC70	DCK	5	3000	178.0	8.4	2.25	2.45	1.2	4.0	8.0	Q3
LM4040CIM7X-2.5/NOPB	SC70	DCK	5	3000	180.0	8.4	2.3	2.55	1.2	4.0	8.0	Q3
LM4040CIM7X-2.5/NOPB	SC70	DCK	5	3000	178.0	8.4	2.25	2.45	1.2	4.0	8.0	Q3
LM4040DEM3-2.0/NOPB	SOT-23	DBZ	3	3000	180.0	8.4	2.9	3.35	1.35	4.0	8.0	Q3
LM4040DEM3-2.5/NOPB	SOT-23	DBZ	3	3000	180.0	8.4	2.9	3.35	1.35	4.0	8.0	Q3
LM4040DEM3-3.0/NOPB	SOT-23	DBZ	3	3000	180.0	8.4	2.9	3.35	1.35	4.0	8.0	Q3
LM4040DEM3-5.0/NOPB	SOT-23	DBZ	3	3000	180.0	8.4	2.9	3.35	1.35	4.0	8.0	Q3
LM4040DEM3X-2.5/NOPB	SOT-23	DBZ	3	3000	180.0	8.4	2.9	3.35	1.35	4.0	8.0	Q3
LM4040DEM3X-5.0/NOPB	SOT-23	DBZ	3	3000	180.0	8.4	2.9	3.35	1.35	4.0	8.0	Q3
LM4040DIM3-10.0/NOPB	SOT-23	DBZ	3	3000	178.0	8.4	3.3	2.9	1.22	4.0	8.0	Q3
LM4040DIM3-2.0/NOPB	SOT-23	DBZ	3	3000	180.0	8.4	2.9	3.35	1.35	4.0	8.0	Q3
LM4040DIM3-2.5/NOPB	SOT-23	DBZ	3	3000	180.0	8.4	2.9	3.35	1.35	4.0	8.0	Q3
LM4040DIM3-3.0/NOPB	SOT-23	DBZ	3	3000	180.0	8.4	2.9	3.35	1.35	4.0	8.0	Q3
LM4040DIM3-4.1/NOPB	SOT-23	DBZ	3	3000	180.0	8.4	2.9	3.35	1.35	4.0	8.0	Q3
LM4040DIM3-5.0/NOPB	SOT-23	DBZ	3	3000	180.0	8.4	2.9	3.35	1.35	4.0	8.0	Q3
LM4040DIM3-8.2/NOPB	SOT-23	DBZ	3	3000	178.0	8.4	3.3	2.9	1.22	4.0	8.0	Q3
LM4040DIM3X-10/NOPB	SOT-23	DBZ	3	3000	178.0	8.4	3.3	2.9	1.22	4.0	8.0	Q3
LM4040DIM3X-2.0/NOPB	SOT-23	DBZ	3	3000	180.0	8.4	2.9	3.35	1.35	4.0	8.0	Q3
LM4040DIM3X-2.5/NOPB	SOT-23	DBZ	3	3000	180.0	8.4	2.9	3.35	1.35	4.0	8.0	Q3
LM4040DIM3X-3.0/NOPB	SOT-23	DBZ	3	3000	180.0	8.4	2.9	3.35	1.35	4.0	8.0	Q3
LM4040DIM3X-4.1/NOPB	SOT-23	DBZ	3	3000	180.0	8.4	2.9	3.35	1.35	4.0	8.0	Q3
LM4040DIM3X-5.0/NOPB	SOT-23	DBZ	3	3000	180.0	8.4	2.9	3.35	1.35	4.0	8.0	Q3
LM4040DIM7-2.0/NOPB	SC70	DCK	5	3000	178.0	8.4	2.25	2.45	1.2	4.0	8.0	Q3
LM4040DIM7-2.0/NOPB	SC70	DCK	5	3000	180.0	8.4	2.3	2.55	1.2	4.0	8.0	Q3
LM4040DIM7-2.5/NOPB	SC70	DCK	5	3000	180.0	8.4	2.3	2.55	1.2	4.0	8.0	Q3
LM4040DIM7-2.5/NOPB	SC70	DCK	5	3000	178.0	8.4	2.25	2.45	1.2	4.0	8.0	Q3
LM4040DIM7-5.0/NOPB	SC70	DCK	5	3000	180.0	8.4	2.3	2.55	1.2	4.0	8.0	Q3
LM4040DIM7-5.0/NOPB	SC70	DCK	5	3000	178.0	8.4	2.25	2.45	1.2	4.0	8.0	Q3
LM4040EEM3-2.5/NOPB	SOT-23	DBZ	3	3000	180.0	8.4	2.9	3.35	1.35	4.0	8.0	Q3
LM4040EIM3-2.5/NOPB	SOT-23	DBZ	3	3000	180.0	8.4	2.9	3.35	1.35	4.0	8.0	Q3
LM4040EIM3-3.0/NOPB	SOT-23	DBZ	3	1000	180.0	8.4	2.9	3.35	1.35	4.0	8.0	Q3
LM4040EIM3X-2.5/NOPB	SOT-23	DBZ	3	3000	180.0	8.4	2.9	3.35	1.35	4.0	8.0	Q3
LM4040EIM3X-3.0/NOPB	SOT-23	DBZ	3	3000	180.0	8.4	2.9	3.35	1.35	4.0	8.0	Q3
LM4040EIM7-2.0/NOPB	SC70	DCK	5	3000	178.0	8.4	2.25	2.45	1.2	4.0	8.0	Q3
LM4040EIM7-2.0/NOPB	SC70	DCK	5	3000	180.0	8.4	2.3	2.55	1.2	4.0	8.0	Q3
LM4040QAIM3-2.5/NOPB	SOT-23	DBZ	3	3000	178.0	8.4	3.3	2.9	1.22	4.0	8.0	Q3
LM4040QAIM3-2.5/NOPB	SOT-23	DBZ	3	3000	180.0	8.4	3.2	2.85	1.3	4.0	8.0	Q3
LM4040QAIM3X2.5/NOPB	SOT-23	DBZ	3	3000	180.0	8.4	3.2	2.85	1.3	4.0	8.0	Q3
LM4040QAIM3X2.5/NOPB	SOT-23	DBZ	3	3000	178.0	8.4	3.3	2.9	1.22	4.0	8.0	Q3
LM4040QBIM3-2.5/NOPB	SOT-23	DBZ	3	1000	178.0	8.4	3.3	2.9	1.22	4.0	8.0	Q3
LM4040QBIM3X2.5/NOPB	SOT-23	DBZ	3	3000	180.0	8.4	3.2	2.85	1.3	4.0	8.0	Q3

Device	Package Type	Package Drawing	Pins	SPQ	Reel Diameter (mm)	Reel Width W1 (mm)	A0 (mm)	B0 (mm)	K0 (mm)	P1 (mm)	W (mm)	Pin1 Quadrant
LM4040QBIM3X2.5/NOPB	SOT-23	DBZ	3	3000	178.0	8.4	3.3	2.9	1.22	4.0	8.0	Q3
LM4040QCEM3-2.5/NOPB	SOT-23	DBZ	3	3000	180.0	8.4	3.2	2.85	1.3	4.0	8.0	Q3
LM4040QCEM3-2.5/NOPB	SOT-23	DBZ	3	3000	178.0	8.4	3.3	2.9	1.22	4.0	8.0	Q3
LM4040QCEM3-3.0/NOPB	SOT-23	DBZ	3	3000	180.0	8.4	3.2	2.85	1.3	4.0	8.0	Q3
LM4040QCEM3-3.0/NOPB	SOT-23	DBZ	3	3000	178.0	8.4	3.3	2.9	1.22	4.0	8.0	Q3
LM4040QCIM3-2.5/NOPB	SOT-23	DBZ	3	3000	180.0	8.4	3.2	2.85	1.3	4.0	8.0	Q3
LM4040QCIM3-2.5/NOPB	SOT-23	DBZ	3	3000	178.0	8.4	3.3	2.9	1.22	4.0	8.0	Q3
LM4040QCIM3X2.5/NOPB	SOT-23	DBZ	3	3000	180.0	8.4	3.2	2.85	1.3	4.0	8.0	Q3
LM4040QCIM3X2.5/NOPB	SOT-23	DBZ	3	3000	178.0	8.4	3.3	2.9	1.22	4.0	8.0	Q3
LM4040QDEM3-2.5/NOPB	SOT-23	DBZ	3	3000	180.0	8.4	3.2	2.85	1.3	4.0	8.0	Q3
LM4040QDEM3-2.5/NOPB	SOT-23	DBZ	3	3000	178.0	8.4	3.3	2.9	1.22	4.0	8.0	Q3
LM4040QDEM3-3.0/NOPB	SOT-23	DBZ	3	3000	180.0	8.4	3.2	2.85	1.3	4.0	8.0	Q3
LM4040QDEM3-3.0/NOPB	SOT-23	DBZ	3	3000	178.0	8.4	3.3	2.9	1.22	4.0	8.0	Q3
LM4040QDIM3-2.5/NOPB	SOT-23	DBZ	3	3000	178.0	8.4	3.3	2.9	1.22	4.0	8.0	Q3
LM4040QDIM3-2.5/NOPB	SOT-23	DBZ	3	3000	180.0	8.4	3.2	2.85	1.3	4.0	8.0	Q3
LM4040QDIM3X2.5/NOPB	SOT-23	DBZ	3	3000	178.0	8.4	3.3	2.9	1.22	4.0	8.0	Q3
LM4040QDIM3X2.5/NOPB	SOT-23	DBZ	3	3000	180.0	8.4	3.2	2.85	1.3	4.0	8.0	Q3
LM4040QEEM3-2.5/NOPB	SOT-23	DBZ	3	3000	180.0	8.4	3.2	2.85	1.3	4.0	8.0	Q3
LM4040QEEM3-2.5/NOPB	SOT-23	DBZ	3	3000	178.0	8.4	3.3	2.9	1.22	4.0	8.0	Q3
LM4040QEEM3-3.0/NOPB	SOT-23	DBZ	3	3000	178.0	8.4	3.3	2.9	1.22	4.0	8.0	Q3
LM4040QEEM3-3.0/NOPB	SOT-23	DBZ	3	3000	180.0	8.4	3.2	2.85	1.3	4.0	8.0	Q3
LM4040QEIM3-2.5/NOPB	SOT-23	DBZ	3	3000	178.0	8.4	3.3	2.9	1.22	4.0	8.0	Q3
LM4040QEIM3-2.5/NOPB	SOT-23	DBZ	3	3000	180.0	8.4	3.2	2.85	1.3	4.0	8.0	Q3
LM4040QEIM3X2.5/NOPB	SOT-23	DBZ	3	3000	178.0	8.4	3.3	2.9	1.22	4.0	8.0	Q3
LM4040QEIM3X2.5/NOPB	SOT-23	DBZ	3	3000	180.0	8.4	3.2	2.85	1.3	4.0	8.0	Q3

TAPE AND REEL BOX DIMENSIONS


*All dimensions are nominal

Device	Package Type	Package Drawing	Pins	SPQ	Length (mm)	Width (mm)	Height (mm)
LM4040AIM3-10.0/NOPB	SOT-23	DBZ	3	3000	208.0	191.0	35.0
LM4040AIM3-2.0/NOPB	SOT-23	DBZ	3	3000	210.0	185.0	35.0
LM4040AIM3-2.5/NOPB	SOT-23	DBZ	3	3000	210.0	185.0	35.0
LM4040AIM3-3.0/NOPB	SOT-23	DBZ	3	3000	210.0	185.0	35.0
LM4040AIM3-4.1/NOPB	SOT-23	DBZ	3	3000	210.0	185.0	35.0
LM4040AIM3-5.0/NOPB	SOT-23	DBZ	3	3000	210.0	185.0	35.0
LM4040AIM3X-10/NOPB	SOT-23	DBZ	3	3000	208.0	191.0	35.0
LM4040AIM3X-2.0/G4	SOT-23	DBZ	3	3000	210.0	185.0	35.0
LM4040AIM3X-2.0/NOPB	SOT-23	DBZ	3	3000	210.0	185.0	35.0
LM4040AIM3X-2.5/NOPB	SOT-23	DBZ	3	3000	210.0	185.0	35.0
LM4040AIM3X-3.0/NOPB	SOT-23	DBZ	3	3000	210.0	185.0	35.0
LM4040AIM3X-4.1/NOPB	SOT-23	DBZ	3	3000	210.0	185.0	35.0
LM4040AIM3X-5.0/NOPB	SOT-23	DBZ	3	3000	210.0	185.0	35.0
LM4040BIM3-10.0/NOPB	SOT-23	DBZ	3	3000	208.0	191.0	35.0
LM4040BIM3-2.0/NOPB	SOT-23	DBZ	3	3000	210.0	185.0	35.0
LM4040BIM3-2.5/NOPB	SOT-23	DBZ	3	3000	210.0	185.0	35.0
LM4040BIM3-3.0/NOPB	SOT-23	DBZ	3	3000	210.0	185.0	35.0
LM4040BIM3-4.1/NOPB	SOT-23	DBZ	3	3000	210.0	185.0	35.0

Device	Package Type	Package Drawing	Pins	SPQ	Length (mm)	Width (mm)	Height (mm)
LM4040BIM3-5.0/NOPB	SOT-23	DBZ	3	3000	210.0	185.0	35.0
LM4040BIM3-8.2/NOPB	SOT-23	DBZ	3	3000	208.0	191.0	35.0
LM4040BIM3X-10/NOPB	SOT-23	DBZ	3	3000	208.0	191.0	35.0
LM4040BIM3X-2.0/NOPB	SOT-23	DBZ	3	3000	210.0	185.0	35.0
LM4040BIM3X-2.5/NOPB	SOT-23	DBZ	3	3000	210.0	185.0	35.0
LM4040BIM3X-3.0/NOPB	SOT-23	DBZ	3	3000	210.0	185.0	35.0
LM4040BIM3X-4.1/NOPB	SOT-23	DBZ	3	3000	210.0	185.0	35.0
LM4040BIM3X-5.0/NOPB	SOT-23	DBZ	3	3000	210.0	185.0	35.0
LM4040BIM7-2.0/NOPB	SC70	DCK	5	3000	210.0	185.0	35.0
LM4040BIM7-2.0/NOPB	SC70	DCK	5	3000	208.0	191.0	35.0
LM4040BIM7-2.5/NOPB	SC70	DCK	5	3000	210.0	185.0	35.0
LM4040BIM7-2.5/NOPB	SC70	DCK	5	3000	208.0	191.0	35.0
LM4040BIM7-5.0/NOPB	SC70	DCK	5	3000	210.0	185.0	35.0
LM4040BIM7-5.0/NOPB	SC70	DCK	5	3000	208.0	191.0	35.0
LM4040BIM7X-2.5/NOPB	SC70	DCK	5	3000	210.0	185.0	35.0
LM4040BIM7X-2.5/NOPB	SC70	DCK	5	3000	208.0	191.0	35.0
LM4040CEM3-2.5/NOPB	SOT-23	DBZ	3	3000	210.0	185.0	35.0
LM4040CEM3-3.0/NOPB	SOT-23	DBZ	3	3000	210.0	185.0	35.0
LM4040CEM3-5.0/NOPB	SOT-23	DBZ	3	3000	210.0	185.0	35.0
LM4040CEM3X-3.0/NOPB	SOT-23	DBZ	3	3000	210.0	185.0	35.0
LM4040CEM3X-5.0/NOPB	SOT-23	DBZ	3	3000	210.0	185.0	35.0
LM4040CIM3-10.0/NOPB	SOT-23	DBZ	3	3000	208.0	191.0	35.0
LM4040CIM3-2.0/NOPB	SOT-23	DBZ	3	3000	210.0	185.0	35.0
LM4040CIM3-2.5/NOPB	SOT-23	DBZ	3	3000	210.0	185.0	35.0
LM4040CIM3-3.0/NOPB	SOT-23	DBZ	3	3000	210.0	185.0	35.0
LM4040CIM3-4.1/NOPB	SOT-23	DBZ	3	3000	210.0	185.0	35.0
LM4040CIM3-5.0/NOPB	SOT-23	DBZ	3	3000	210.0	185.0	35.0
LM4040CIM3-8.2/NOPB	SOT-23	DBZ	3	3000	208.0	191.0	35.0
LM4040CIM3X-10/NOPB	SOT-23	DBZ	3	3000	208.0	191.0	35.0
LM4040CIM3X-2.0/NOPB	SOT-23	DBZ	3	3000	210.0	185.0	35.0
LM4040CIM3X-2.5/G4	SOT-23	DBZ	3	3000	210.0	185.0	35.0
LM4040CIM3X-2.5/NOPB	SOT-23	DBZ	3	3000	210.0	185.0	35.0
LM4040CIM3X-3.0/NOPB	SOT-23	DBZ	3	3000	210.0	185.0	35.0
LM4040CIM3X-4.1/G4	SOT-23	DBZ	3	3000	210.0	185.0	35.0
LM4040CIM3X-4.1/NOPB	SOT-23	DBZ	3	3000	210.0	185.0	35.0
LM4040CIM3X-5.0/NOPB	SOT-23	DBZ	3	3000	210.0	185.0	35.0
LM4040CIM7-2.0/NOPB	SC70	DCK	5	3000	210.0	185.0	35.0
LM4040CIM7-2.0/NOPB	SC70	DCK	5	3000	208.0	191.0	35.0
LM4040CIM7-2.5/NOPB	SC70	DCK	5	3000	210.0	185.0	35.0
LM4040CIM7-2.5/NOPB	SC70	DCK	5	3000	208.0	191.0	35.0
LM4040CIM7X-2.5/NOPB	SC70	DCK	5	3000	210.0	185.0	35.0
LM4040CIM7X-2.5/NOPB	SC70	DCK	5	3000	208.0	191.0	35.0
LM4040DEM3-2.0/NOPB	SOT-23	DBZ	3	3000	210.0	185.0	35.0

Device	Package Type	Package Drawing	Pins	SPQ	Length (mm)	Width (mm)	Height (mm)
LM4040DEM3-2.5/NOPB	SOT-23	DBZ	3	3000	210.0	185.0	35.0
LM4040DEM3-3.0/NOPB	SOT-23	DBZ	3	3000	210.0	185.0	35.0
LM4040DEM3-5.0/NOPB	SOT-23	DBZ	3	3000	210.0	185.0	35.0
LM4040DEM3X-2.5/NOPB	SOT-23	DBZ	3	3000	210.0	185.0	35.0
LM4040DEM3X-5.0/NOPB	SOT-23	DBZ	3	3000	210.0	185.0	35.0
LM4040DIM3-10.0/NOPB	SOT-23	DBZ	3	3000	208.0	191.0	35.0
LM4040DIM3-2.0/NOPB	SOT-23	DBZ	3	3000	210.0	185.0	35.0
LM4040DIM3-2.5/NOPB	SOT-23	DBZ	3	3000	210.0	185.0	35.0
LM4040DIM3-3.0/NOPB	SOT-23	DBZ	3	3000	210.0	185.0	35.0
LM4040DIM3-4.1/NOPB	SOT-23	DBZ	3	3000	210.0	185.0	35.0
LM4040DIM3-5.0/NOPB	SOT-23	DBZ	3	3000	210.0	185.0	35.0
LM4040DIM3-8.2/NOPB	SOT-23	DBZ	3	3000	208.0	191.0	35.0
LM4040DIM3X-10/NOPB	SOT-23	DBZ	3	3000	208.0	191.0	35.0
LM4040DIM3X-2.0/NOPB	SOT-23	DBZ	3	3000	210.0	185.0	35.0
LM4040DIM3X-2.5/NOPB	SOT-23	DBZ	3	3000	210.0	185.0	35.0
LM4040DIM3X-3.0/NOPB	SOT-23	DBZ	3	3000	210.0	185.0	35.0
LM4040DIM3X-4.1/NOPB	SOT-23	DBZ	3	3000	210.0	185.0	35.0
LM4040DIM3X-5.0/NOPB	SOT-23	DBZ	3	3000	210.0	185.0	35.0
LM4040DIM7-2.0/NOPB	SC70	DCK	5	3000	208.0	191.0	35.0
LM4040DIM7-2.0/NOPB	SC70	DCK	5	3000	210.0	185.0	35.0
LM4040DIM7-2.5/NOPB	SC70	DCK	5	3000	210.0	185.0	35.0
LM4040DIM7-2.5/NOPB	SC70	DCK	5	3000	208.0	191.0	35.0
LM4040DIM7-5.0/NOPB	SC70	DCK	5	3000	210.0	185.0	35.0
LM4040DIM7-5.0/NOPB	SC70	DCK	5	3000	208.0	191.0	35.0
LM4040EEM3-2.5/NOPB	SOT-23	DBZ	3	3000	210.0	185.0	35.0
LM4040EIM3-2.5/NOPB	SOT-23	DBZ	3	3000	210.0	185.0	35.0
LM4040EIM3-3.0/NOPB	SOT-23	DBZ	3	1000	210.0	185.0	35.0
LM4040EIM3X-2.5/NOPB	SOT-23	DBZ	3	3000	210.0	185.0	35.0
LM4040EIM3X-3.0/NOPB	SOT-23	DBZ	3	3000	210.0	185.0	35.0
LM4040EIM7-2.0/NOPB	SC70	DCK	5	3000	208.0	191.0	35.0
LM4040EIM7-2.0/NOPB	SC70	DCK	5	3000	210.0	185.0	35.0
LM4040QAIM3-2.5/NOPB	SOT-23	DBZ	3	3000	208.0	191.0	35.0
LM4040QAIM3-2.5/NOPB	SOT-23	DBZ	3	3000	210.0	185.0	35.0
LM4040QAIM3X2.5/NOPB	SOT-23	DBZ	3	3000	210.0	185.0	35.0
LM4040QAIM3X2.5/NOPB	SOT-23	DBZ	3	3000	208.0	191.0	35.0
LM4040QBIM3-2.5/NOPB	SOT-23	DBZ	3	1000	208.0	191.0	35.0
LM4040QBIM3X2.5/NOPB	SOT-23	DBZ	3	3000	210.0	185.0	35.0
LM4040QBIM3X2.5/NOPB	SOT-23	DBZ	3	3000	208.0	191.0	35.0
LM4040QCEM3-2.5/NOPB	SOT-23	DBZ	3	3000	210.0	185.0	35.0
LM4040QCEM3-2.5/NOPB	SOT-23	DBZ	3	3000	208.0	191.0	35.0
LM4040QCEM3-3.0/NOPB	SOT-23	DBZ	3	3000	210.0	185.0	35.0
LM4040QCEM3-3.0/NOPB	SOT-23	DBZ	3	3000	208.0	191.0	35.0
LM4040QCIM3-2.5/NOPB	SOT-23	DBZ	3	3000	210.0	185.0	35.0

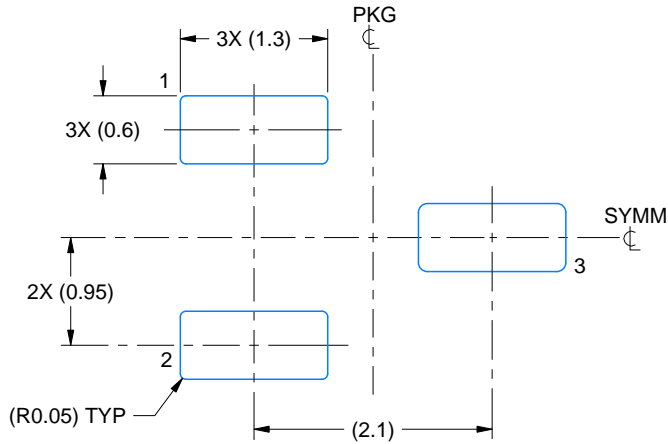
Device	Package Type	Package Drawing	Pins	SPQ	Length (mm)	Width (mm)	Height (mm)
LM4040QCIM3-2.5/NOPB	SOT-23	DBZ	3	3000	208.0	191.0	35.0
LM4040QCIM3X2.5/NOPB	SOT-23	DBZ	3	3000	210.0	185.0	35.0
LM4040QCIM3X2.5/NOPB	SOT-23	DBZ	3	3000	208.0	191.0	35.0
LM4040QDEM3-2.5/NOPB	SOT-23	DBZ	3	3000	210.0	185.0	35.0
LM4040QDEM3-2.5/NOPB	SOT-23	DBZ	3	3000	208.0	191.0	35.0
LM4040QDEM3-3.0/NOPB	SOT-23	DBZ	3	3000	210.0	185.0	35.0
LM4040QDEM3-3.0/NOPB	SOT-23	DBZ	3	3000	208.0	191.0	35.0
LM4040QDIM3-2.5/NOPB	SOT-23	DBZ	3	3000	208.0	191.0	35.0
LM4040QDIM3-2.5/NOPB	SOT-23	DBZ	3	3000	210.0	185.0	35.0
LM4040QDIM3X2.5/NOPB	SOT-23	DBZ	3	3000	208.0	191.0	35.0
LM4040QDIM3X2.5/NOPB	SOT-23	DBZ	3	3000	210.0	185.0	35.0
LM4040QEEM3-2.5/NOPB	SOT-23	DBZ	3	3000	210.0	185.0	35.0
LM4040QEEM3-2.5/NOPB	SOT-23	DBZ	3	3000	208.0	191.0	35.0
LM4040QEEM3-3.0/NOPB	SOT-23	DBZ	3	3000	208.0	191.0	35.0
LM4040QEEM3-3.0/NOPB	SOT-23	DBZ	3	3000	210.0	185.0	35.0
LM4040QEIM3-2.5/NOPB	SOT-23	DBZ	3	3000	208.0	191.0	35.0
LM4040QEIM3-2.5/NOPB	SOT-23	DBZ	3	3000	210.0	185.0	35.0
LM4040QEIM3X2.5/NOPB	SOT-23	DBZ	3	3000	208.0	191.0	35.0
LM4040QEIM3X2.5/NOPB	SOT-23	DBZ	3	3000	210.0	185.0	35.0

EXAMPLE BOARD LAYOUT

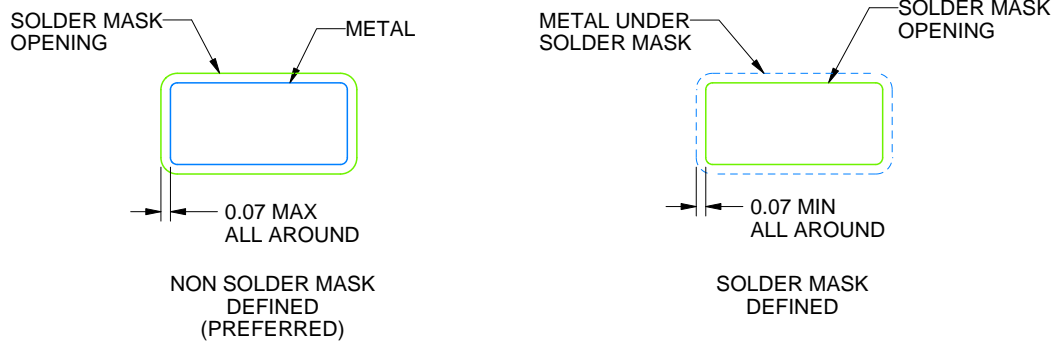
DBZ0003A

SOT-23 - 1.12 mm max height

SMALL OUTLINE TRANSISTOR



LAND PATTERN EXAMPLE
SCALE:15X



SOLDER MASK DETAILS

4214838/F 08/2024

NOTES: (continued)

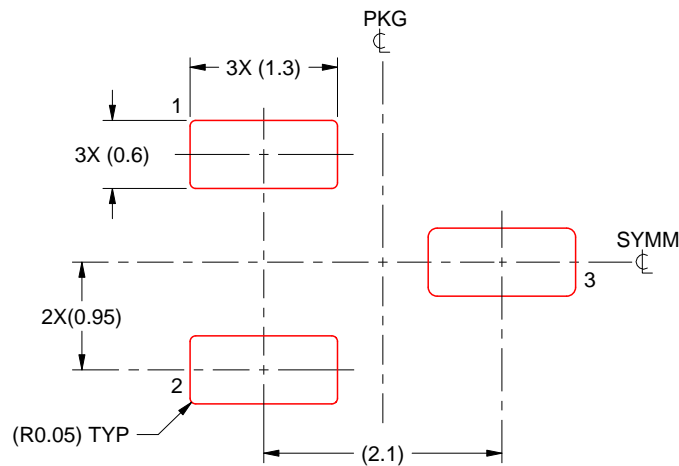
- 5. Publication IPC-7351 may have alternate designs.
- 6. Solder mask tolerances between and around signal pads can vary based on board fabrication site.

EXAMPLE STENCIL DESIGN

DBZ0003A

SOT-23 - 1.12 mm max height

SMALL OUTLINE TRANSISTOR



SOLDER PASTE EXAMPLE
BASED ON 0.125 THICK STENCIL
SCALE:15X

4214838/F 08/2024

NOTES: (continued)

7. Laser cutting apertures with trapezoidal walls and rounded corners may offer better paste release. IPC-7525 may have alternate design recommendations.
8. Board assembly site may have different recommendations for stencil design.

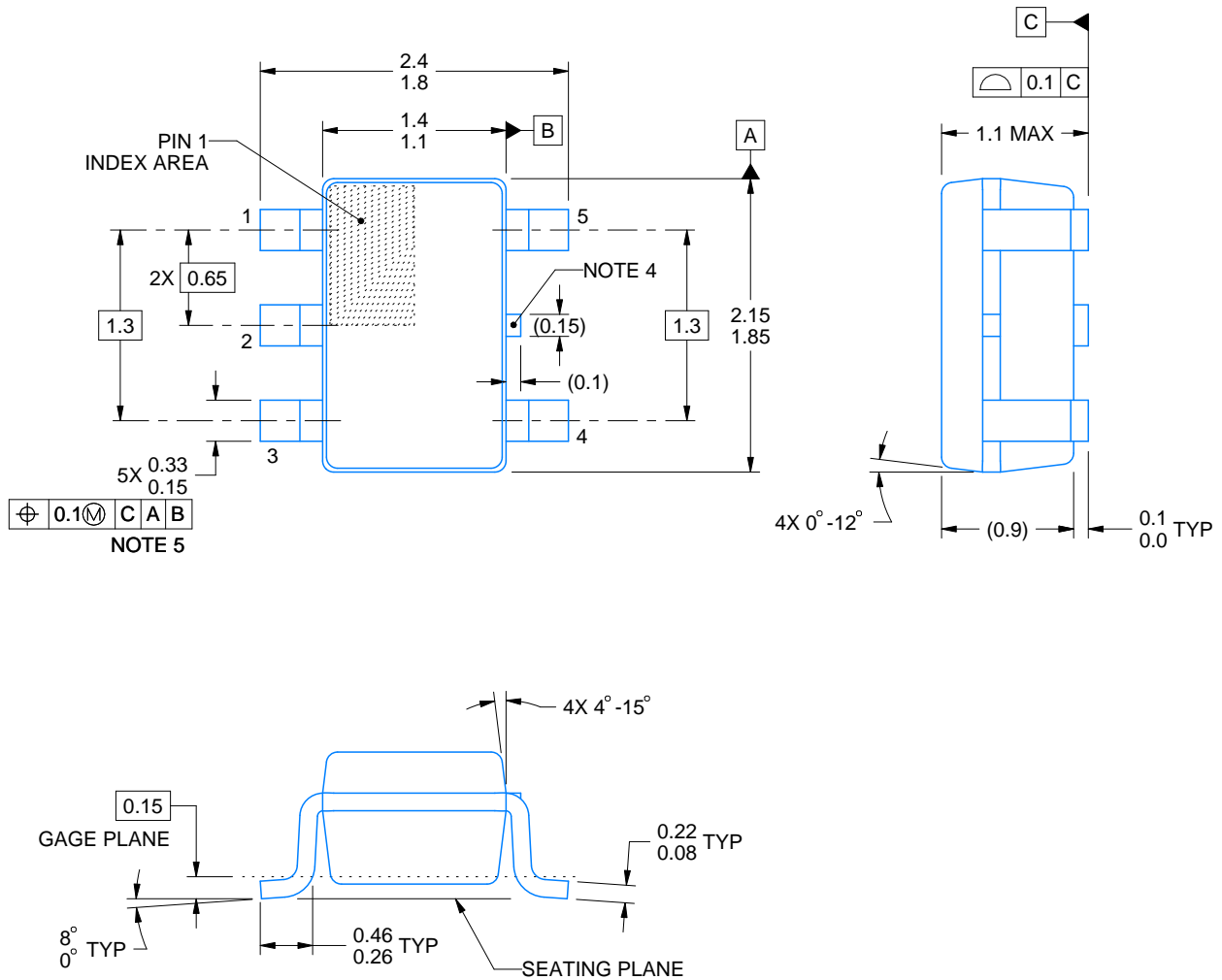
DCK0005A



PACKAGE OUTLINE

SOT - 1.1 max height

SMALL OUTLINE TRANSISTOR



4214834/G 11/2024

NOTES:

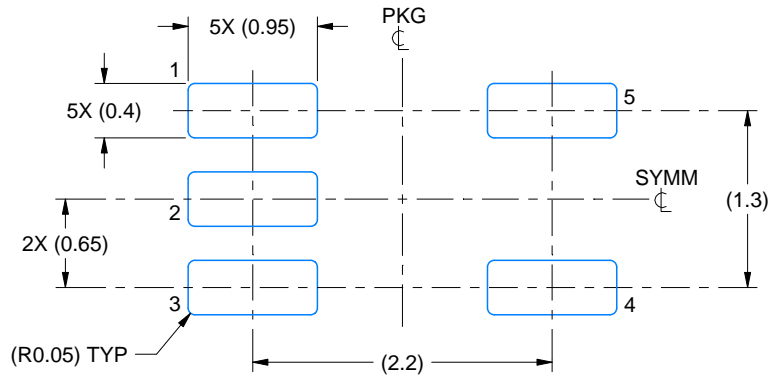
1. All linear dimensions are in millimeters. Any dimensions in parenthesis are for reference only. Dimensioning and tolerancing per ASME Y14.5M.
2. This drawing is subject to change without notice.
3. Reference JEDEC MO-203.
4. Support pin may differ or may not be present.
5. Lead width does not comply with JEDEC.
6. Body dimensions do not include mold flash, protrusions, or gate burrs. Mold flash, protrusions, or gate burrs shall not exceed 0.25mm per side

EXAMPLE BOARD LAYOUT

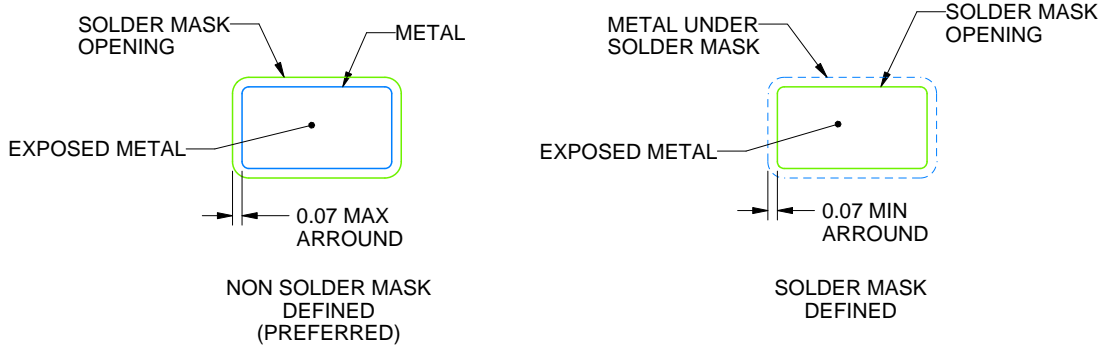
DCK0005A

SOT - 1.1 max height

SMALL OUTLINE TRANSISTOR



LAND PATTERN EXAMPLE
EXPOSED METAL SHOWN
SCALE:18X



SOLDER MASK DETAILS

4214834/G 11/2024

NOTES: (continued)

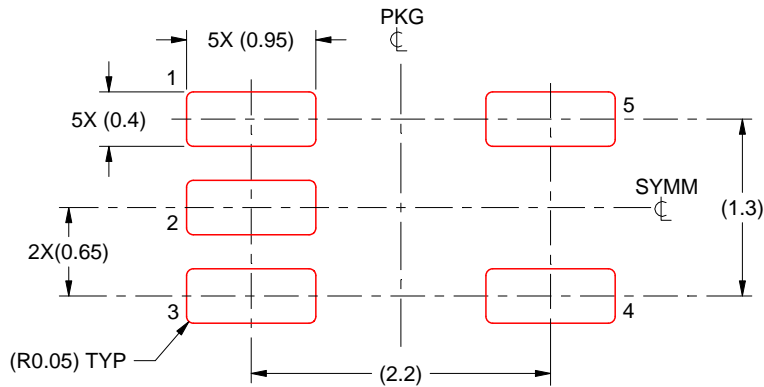
- 7. Publication IPC-7351 may have alternate designs.
- 8. Solder mask tolerances between and around signal pads can vary based on board fabrication site.

EXAMPLE STENCIL DESIGN

DCK0005A

SOT - 1.1 max height

SMALL OUTLINE TRANSISTOR



SOLDER PASTE EXAMPLE
BASED ON 0.125 THICK STENCIL
SCALE: 18X

4214834/G 11/2024

NOTES: (continued)

9. Laser cutting apertures with trapezoidal walls and rounded corners may offer better paste release. IPC-7525 may have alternate design recommendations.
10. Board assembly site may have different recommendations for stencil design.

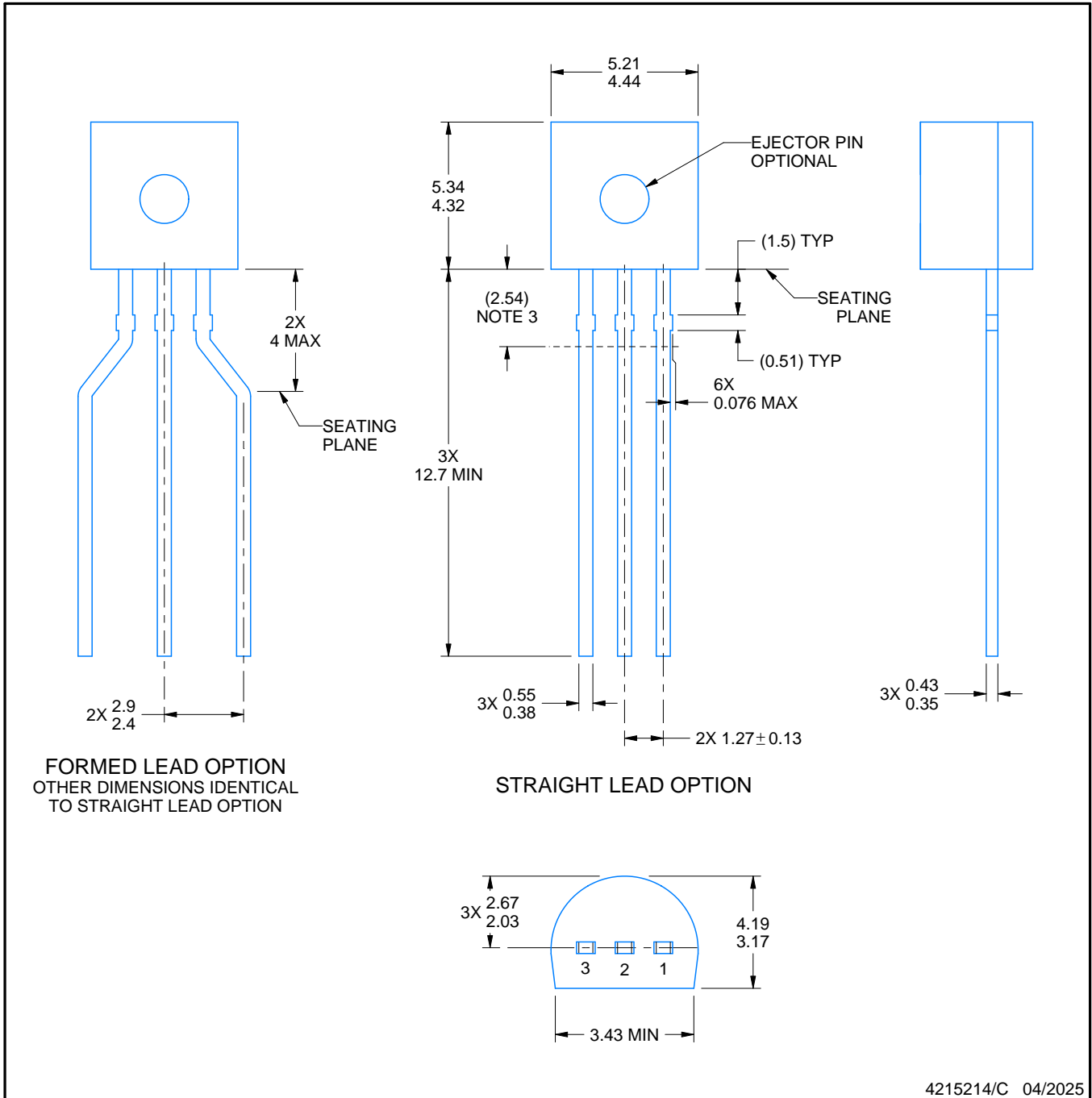
LP0003A



PACKAGE OUTLINE

TO-92 - 5.34 mm max height

TO-92



4215214/C 04/2025

NOTES:

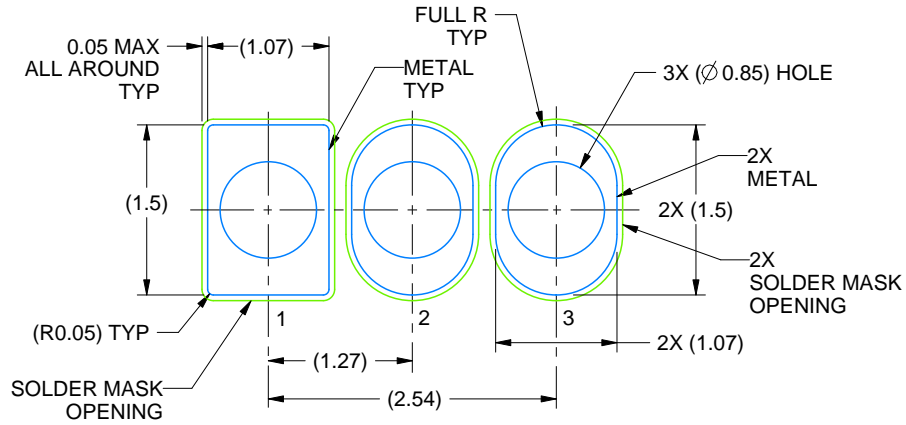
1. All linear dimensions are in millimeters. Any dimensions in parenthesis are for reference only. Dimensioning and tolerancing per ASME Y14.5M.
2. This drawing is subject to change without notice.
3. Lead dimensions are not controlled within this area.
4. Reference JEDEC TO-226, variation AA.
5. Shipping method:
 - a. Straight lead option available in bulk pack only.
 - b. Formed lead option available in tape and reel or ammo pack.
 - c. Specific products can be offered in limited combinations of shipping medium and lead options.
 - d. Consult product folder for more information on available options.

EXAMPLE BOARD LAYOUT

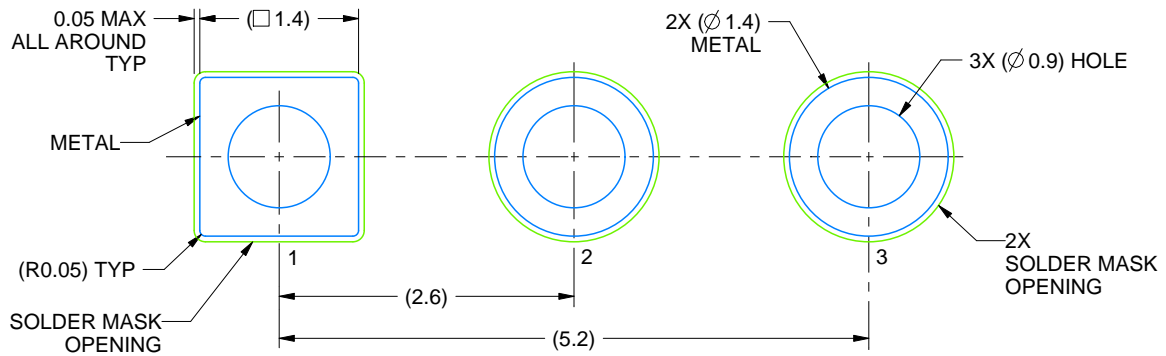
LP0003A

TO-92 - 5.34 mm max height

TO-92



LAND PATTERN EXAMPLE
STRAIGHT LEAD OPTION
NON-SOLDER MASK DEFINED
SCALE:15X



LAND PATTERN EXAMPLE
FORMED LEAD OPTION
NON-SOLDER MASK DEFINED
SCALE:15X

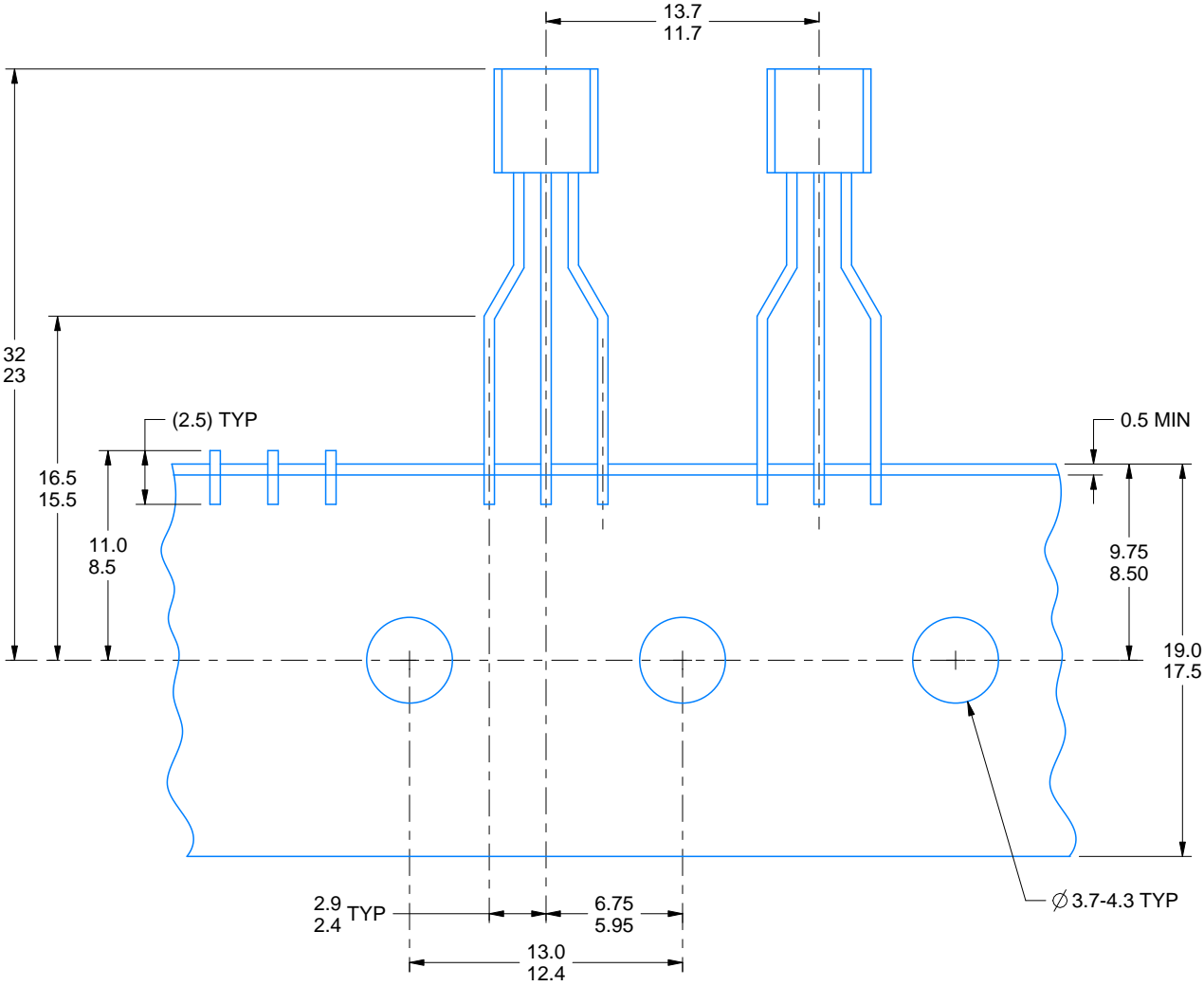
4215214/C 04/2025

TAPE SPECIFICATIONS

LP0003A

TO-92 - 5.34 mm max height

TO-92



FOR FORMED LEAD OPTION PACKAGE

4215214/C 04/2025

IMPORTANT NOTICE AND DISCLAIMER

TI PROVIDES TECHNICAL AND RELIABILITY DATA (INCLUDING DATASHEETS), DESIGN RESOURCES (INCLUDING REFERENCE DESIGNS), APPLICATION OR OTHER DESIGN ADVICE, WEB TOOLS, SAFETY INFORMATION, AND OTHER RESOURCES "AS IS" AND WITH ALL FAULTS, AND DISCLAIMS ALL WARRANTIES, EXPRESS AND IMPLIED, INCLUDING WITHOUT LIMITATION ANY IMPLIED WARRANTIES OF MERCHANTABILITY, FITNESS FOR A PARTICULAR PURPOSE OR NON-INFRINGEMENT OF THIRD PARTY INTELLECTUAL PROPERTY RIGHTS.

These resources are intended for skilled developers designing with TI products. You are solely responsible for (1) selecting the appropriate TI products for your application, (2) designing, validating and testing your application, and (3) ensuring your application meets applicable standards, and any other safety, security, regulatory or other requirements.

These resources are subject to change without notice. TI grants you permission to use these resources only for development of an application that uses the TI products described in the resource. Other reproduction and display of these resources is prohibited. No license is granted to any other TI intellectual property right or to any third party intellectual property right. TI disclaims responsibility for, and you fully indemnify TI and its representatives against any claims, damages, costs, losses, and liabilities arising out of your use of these resources.

TI's products are provided subject to [TI's Terms of Sale](#), [TI's General Quality Guidelines](#), or other applicable terms available either on ti.com or provided in conjunction with such TI products. TI's provision of these resources does not expand or otherwise alter TI's applicable warranties or warranty disclaimers for TI products. Unless TI explicitly designates a product as custom or customer-specified, TI products are standard, catalog, general purpose devices.

TI objects to and rejects any additional or different terms you may propose.

Copyright © 2026, Texas Instruments Incorporated

Last updated 10/2025