

# LP8867C-Q1, LP8869C-Q1 Low EMI Automotive LED Driver with 4-, 3- Channels

## 1 Features

- AEC-Q100 Qualified for automotive applications:
  - Device temperature grade 1:  $-40^{\circ}\text{C}$  to  $+125^{\circ}\text{C}$ ,  $T_A$
- 3-, 4-Channel 120-mA LED driver for automotive LCD display
  - High dimming ratio of 10 000:1 at 100 Hz
  - Current matching 1% (typical)
  - LED String current up to 120 mA per channel
  - Outputs can be combined externally for higher current per string
- Integrated boost and SEPIC converter for LED string power
  - Input voltage operating range 4.5 V to 40 V
  - Output voltage up to 45 V
  - Integrated 3.3-A Switch FET
  - Switching frequency 300 kHz to 2.2 MHz
  - Switching synchronization input
  - Spread spectrum for lower EMI
- Protection and fault detection
  - Fault output
  - Input voltage OVP, UVLO
  - Boost OVP
  - SW OVP
  - LED Open and short fault detection
  - Thermal shutdown

## 2 Applications

- Backlight for:
  - Automotive infotainment
  - Automotive instrument clusters
  - Smart mirrors
  - Heads-up displays (HUD)

## 3 Description

The LP8867C-Q1, LP8869C-Q1 is an automotive highly-integrated, low-EMI, easy-to-use LED driver with DC-DC converter. The DC-DC converter supports both boost and SEPIC mode operation. The device has four or three high-precision current sinks that can be combined for higher current capability.

The DC-DC converter has adaptive output voltage control based on the LED forward voltages. This feature minimizes the power consumption by adjusting the voltage to the lowest sufficient level in all conditions. For EMI reduction DC-DC supports spread spectrum for switching frequency and an external synchronization with dedicated pin. A wide-range adjustable frequency allows the LP886xC-Q1 to avoid disturbance for sensitive frequency band.

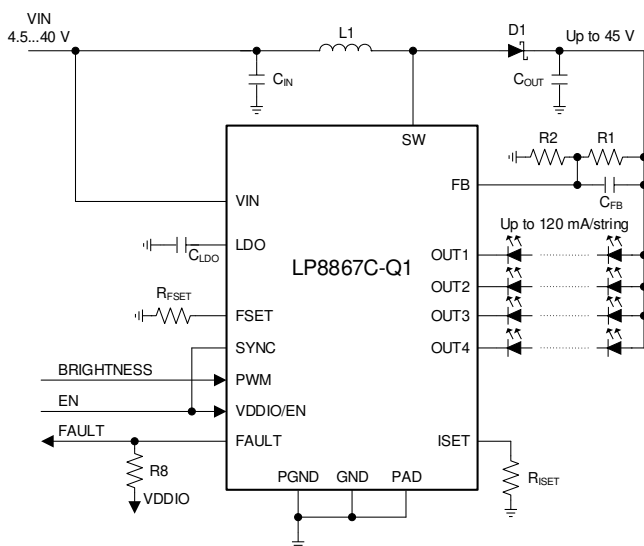
The input voltage range for the LP886xC-Q1 is from 4.5 V to 40 V to support automotive stop, start and load dump condition. The LP886xC-Q1 integrates extensive fault detection features.

### Device Information<sup>(1)</sup>

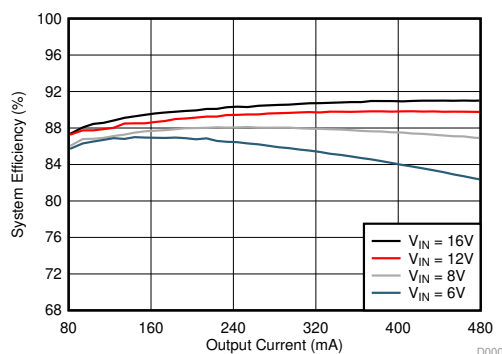
PART NUMBER	PACKAGE	BODY SIZE (NOM)
LP8867C-Q1	HTSSOP (20)	6.50 mm x 4.40 mm
LP8869C-Q1		

(1) For all available packages, see the orderable addendum at the end of the data sheet.

### Simplified Schematic



### System Efficiency



## Table of Contents

<b>1 Features</b> .....	<b>1</b>	8.1 Overview .....	<b>11</b>
<b>2 Applications</b> .....	<b>1</b>	8.2 Functional Block Diagram .....	<b>12</b>
<b>3 Description</b> .....	<b>1</b>	8.3 Feature Description .....	<b>13</b>
<b>4 Revision History</b> .....	<b>2</b>	8.4 Device Functional Modes .....	<b>22</b>
<b>5 Device Comparison Table</b> .....	<b>3</b>	<b>9 Application and Implementation</b> .....	<b>24</b>
<b>6 Pin Configuration and Functions</b> .....	<b>3</b>	9.1 Application Information .....	<b>24</b>
<b>7 Specifications</b> .....	<b>5</b>	9.2 Typical Applications .....	<b>24</b>
7.1 Absolute Maximum Ratings .....	<b>5</b>	<b>10 Power Supply Recommendations</b> .....	<b>29</b>
7.2 ESD Ratings .....	<b>5</b>	<b>11 Layout</b> .....	<b>30</b>
7.3 Recommended Operating Conditions .....	<b>5</b>	11.1 Layout Guidelines .....	<b>30</b>
7.4 Thermal Information .....	<b>6</b>	11.2 Layout Example .....	<b>31</b>
7.5 Electrical Characteristics .....	<b>6</b>	<b>12 Device and Documentation Support</b> .....	<b>32</b>
7.6 Internal LDO Electrical Characteristics .....	<b>6</b>	12.1 Device Support .....	<b>32</b>
7.7 Protection Electrical Characteristics .....	<b>6</b>	12.2 Documentation Support .....	<b>32</b>
7.8 Current Sinks Electrical Characteristics .....	<b>7</b>	12.3 Receiving Notification of Documentation Updates .....	<b>32</b>
7.9 PWM Brightness Control Electrical Characteristics .....	<b>7</b>	12.4 Community Resources .....	<b>32</b>
7.10 Boost and SEPIC Converter Characteristics .....	<b>7</b>	12.5 Trademarks .....	<b>32</b>
7.11 Logic Interface Characteristics .....	<b>7</b>	12.6 Electrostatic Discharge Caution .....	<b>32</b>
7.12 Typical Characteristics .....	<b>9</b>	12.7 Glossary .....	<b>32</b>
<b>8 Detailed Description</b> .....	<b>11</b>	<b>13 Mechanical, Packaging, and Orderable Information</b> .....	<b>32</b>

## 4 Revision History

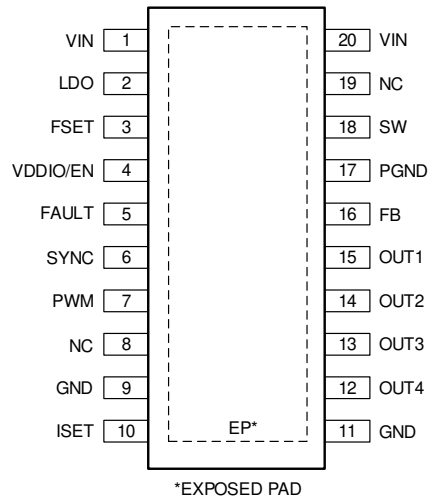
DATE	REVISION	NOTES
August 2019	*	Initial Release

## 5 Device Comparison Table

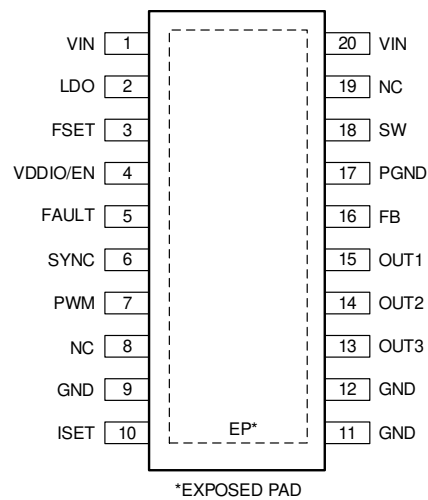
	LP8869-Q1	LP8869C-Q1	LP8867-Q1	LP8867C-Q1
Number of LED channels	3	3	4	4
LED current / channel	120 mA	120 mA	120 mA	120 mA
Power Line FET Control and Automatic Current De-rating Support	Yes	No	Yes	No

## 6 Pin Configuration and Functions

**LP8867C-Q1 PWP Package**  
20-Pin HTSSOP With Exposed Thermal Pad  
Top View



**LP8869C-Q1 PWP Package**  
20-Pin HTSSOP With Exposed Thermal Pad  
Top View



### Pin Functions

PIN		TYPE <sup>(1)</sup>	DESCRIPTION
NO.	NAME		
1	VIN	A	Input power pin and pin for input voltage detection for OVP protection
2	LDO	A	Output of internal LDO; connect a 1- $\mu$ F decoupling capacitor between this pin and noise-free GND. Put the capacitor as close to the chip as possible.
3	FSET	A	DC-DC (boost or SEPIC) switching frequency setting resistor; for normal operation, resistor value from 24 k $\Omega$ to 219 k $\Omega$ must be connected between this pin and ground.
4	VDDIO/EN	I	Enable input for the device as well as supply input (VDDIO) for digital pins.
5	FAULT	OD	Fault signal output. If unused, the pin may be left floating.
6	SYNC	I	Input for synchronizing DC-DC converter. If synchronization is not used, connect this pin to GND to disable spread spectrum or to VDDIO/EN to enable spread spectrum.
7	PWM	I	PWM dimming input.
8	NC	—	No connect
9	GND	G	Ground
10	ISET	A	LED current setting resistor; for normal operation, resistor value from 20 k $\Omega$ to 129 k $\Omega$ must be connected between this pin and ground.
11	GND	G	Ground.
12	OUT4/GND	A	Current sink output for LP8867C-Q1 This pin must be connected to GND if not used. GND pin for LP8869C-Q1
13	OUT3	A	Current sink output. This pin must be connected to GND if not used.
14	OUT2	A	Current sink output. This pin must be connected to GND if not used.
15	OUT1	A	Current sink output. This pin must be connected to GND if not used.
16	FB	A	DC-DC (boost or SEPIC) feedback input; for normal operation this pin must be connected to the middle of a resistor divider between $V_{OUT}$ and ground using feedback resistor values greater than 5k $\Omega$ .
17	PGND	G	DC-DC (boost or SEPIC) power ground.
18	SW	A	DC-DC (boost or SEPIC) switch pin.
19	NC	—	No connect
20	VIN	A	Input power pin and pin for input voltage detection for OVP protection

(1) A: Analog pin, G: Ground pin, P: Power pin, I: Input pin, I/O: Input/Output pin, O: Output pin, OD: Open Drain pin

## 7 Specifications

### 7.1 Absolute Maximum Ratings

over operating free-air temperature range (unless otherwise noted)<sup>(1)(2)</sup>

		MIN	MAX	UNIT
Voltage on pins	VIN, SD, SW, FB	-0.3	50	V
	OUT1, OUT2, OUT3, OUT4	-0.3	45	
	LDO, SYNC, FSET, ISET, PWM, VDDIO/EN, FAULT	-0.3	5.5	
Continuous power dissipation <sup>(3)</sup>		Internally Limited		
Ambient temperature, T <sub>A</sub> <sup>(4)</sup>		-40	125	°C
Junction temperature, T <sub>J</sub> <sup>(4)</sup>		-40	150	°C
Storage temperature, T <sub>stg</sub>		-65	150	°C

- (1) Stresses beyond those listed under *Absolute Maximum Ratings* may cause permanent damage to the device. These are stress ratings only, which do not imply functional operation of the device at these or any other conditions beyond those indicated under *Recommended Operating Conditions*. Exposure to absolute-maximum-rated conditions for extended periods may affect device reliability.
- (2) All voltages are with respect to the potential at the GND pins.
- (3) Internal thermal shutdown circuitry protects the device from permanent damage. Thermal shutdown engages at T<sub>J</sub> = 165°C (typical) and disengages at T<sub>J</sub> = 145°C (typical).
- (4) In applications where high power dissipation and/or poor package thermal resistance is present, the maximum ambient temperature may have to be derated. Maximum ambient temperature (T<sub>A-MAX</sub>) is dependent on the maximum operating junction temperature (T<sub>J-MAX-OP</sub> = 150°C), the maximum power dissipation of the device in the application (P<sub>D-MAX</sub>), and the junction-to ambient thermal resistance of the part/package in the application (R<sub>θJA</sub>), as given by the following equation: T<sub>A-MAX</sub> = T<sub>J-MAX-OP</sub> - (R<sub>θJA</sub> × P<sub>D-MAX</sub>).

### 7.2 ESD Ratings

			VALUE	UNIT	
V <sub>(ESD)</sub>	Electrostatic discharge	Human-body model (HBM), per AEC Q100-002, all pins <sup>(1)</sup>	±2000	V	
		Charged-device model (CDM), per AEC Q100-011	Corner pins (1, 10, 11 and 20)		±750
			All pins		±500

- (1) AEC Q100-002 indicates that HBM stressing shall be in accordance with the ANSI/ESDA/JEDEC JS-001 specification.

### 7.3 Recommended Operating Conditions

Over operating free-air temperature range (unless otherwise noted)<sup>(1)</sup>

		MIN	NOM	MAX	UNIT
Voltage on pins	VIN	4.5	12	45	V
	SW	0		45	
	OUT1, OUT2, OUT3, OUT4	0		40	
	FB, FSET, LDO, ISET, VDDIO/EN, FAULT	0		5.25	
	SYNC, PWM	0		VDDIO/EN	

- (1) All voltages are with respect to the potential at the GND pins.

## 7.4 Thermal Information

THERMAL METRIC <sup>(1)</sup>		LP886xC-Q1	UNIT
		PWP (HTSSOP)	
		20 PINS	
$R_{\theta JA}$	Junction-to-ambient thermal resistance <sup>(2)</sup>	44.2	°C/W
$R_{\theta JCTop}$	Junction-to-case (top) thermal resistance	26.5	°C/W
$R_{\theta JB}$	Junction-to-board thermal resistance	22.4	°C/W
$\Psi_{JT}$	Junction-to-top characterization parameter	0.9	°C/W
$\Psi_{JB}$	Junction-to-board characterization parameter	22.2	°C/W
$R_{\theta JCBot}$	Junction-to-case (bottom) thermal resistance	2.5	°C/W

- (1) For more information about traditional and new thermal metrics, see [Semiconductor and IC Package Thermal Metrics](#).  
 (2) Junction-to-ambient thermal resistance is highly application and board-layout dependent. In applications where high maximum power dissipation exists, special care must be paid to thermal dissipation issues in board design.

## 7.5 Electrical Characteristics

Limits apply over the full operation temperature range  $-40^{\circ}\text{C} \leq T_A \leq +125^{\circ}\text{C}$ , unless otherwise specified,  $V_{IN} = 12\text{V}$ .

PARAMETER		TEST CONDITIONS	MIN	TYP	MAX	UNIT
$I_Q$	Standby supply current	Device disabled, $V_{DDIO/EN} = 0\text{V}$ , $V_{IN} = 12\text{V}$		4.5	20	$\mu\text{A}$
	Active supply current	$V_{IN} = 12\text{V}$ , $V_{OUT} = 26\text{V}$ , output current 80 mA/channel, converter $f_{SW} = 300\text{kHz}$		5	12	mA

## 7.6 Internal LDO Electrical Characteristics

Limits apply over the full operation temperature range  $-40^{\circ}\text{C} \leq T_A \leq +125^{\circ}\text{C}$ , unless otherwise specified,  $V_{IN} = 12\text{V}$ .

PARAMETER		TEST CONDITIONS	MIN	TYP	MAX	UNIT
$V_{LDO}$	Output voltage	$V_{IN} = 12\text{V}$	4.15	4.3	4.55	V
$V_{DR}$	Dropout voltage		120	300	430	mV
$I_{SHORT}$	Short circuit current			50		mA
$I_{EXT}$	Current for external load				5	mA

## 7.7 Protection Electrical Characteristics

Limits apply over the full operation temperature range  $-40^{\circ}\text{C} \leq T_A \leq +125^{\circ}\text{C}$ , unless otherwise specified,  $V_{IN} = 12\text{V}$ .

PARAMETER		TEST CONDITIONS	MIN	TYP	MAX	UNIT
$V_{OVP}$	VIN OVP threshold voltage		41	42	44	V
$V_{UVLO}$	VIN UVLO Falling threshold		3.7	3.85	4	V
$V_{UVLO\_HYST}$	VIN UVLO Rising threshold - VIN UVLO Falling threshold			150		mV
$V_{FB\_OVP}$	FB threshold for BST_OVP fault			2.3		V
$T_{TSD}$	Thermal shutdown Rising threshold		150	165	175	°C
$T_{TSD\_HYS}$	Thermal shutdown Rising threshold - Thermal shutdown Falling threshold			20		°C

## 7.8 Current Sinks Electrical Characteristics

Limits apply over the full operation temperature range  $-40^{\circ}\text{C} \leq T_A \leq +125^{\circ}\text{C}$ , unless otherwise specified,  $V_{IN} = 12\text{V}$ .

PARAMETER		TEST CONDITIONS	MIN	TYP	MAX	UNIT
$I_{LEAKAGE}$	Leakage current	Outputs OUT1 to OUT4, $V_{OUTx} = 45\text{V}$ , EN = L		0.1	5	$\mu\text{A}$
$I_{MAX}$	Maximum current	OUT1, OUT2, OUT3, OUT4, $R_{ISET} = 20\text{k}\Omega$		120		mA
$I_{OUT}$	Output current accuracy	$I_{OUT} = 100\text{mA}$	-5%		5%	
$I_{MATCH}$	Output current matching <sup>(1)</sup>	$I_{OUT} = 100\text{mA}$ , PWM duty = 100%		1%	5%	
$V_{LOW\_COMP}$	Low comparator threshold			0.9		V
$V_{MID\_COMP}$	Mid comparator threshold			1.9		V
$V_{HIGH\_COMP}$	High comparator threshold		5.6	6	7	V

- (1) Output Current Accuracy is the difference between the actual value of the output current and programmed value of this current. Matching is the maximum difference from the average. For the constant current sinks on the part (OUTx), the following are determined: the maximum output current (MAX), the minimum output current (MIN), and the average output current of all outputs (AVG). Matching number is calculated: (MAX-MIN)/AVG. The typical specification provided is the most likely norm of the matching figure for all parts. LED current sinks were characterized with 1-V headroom voltage. Note that some manufacturers have different definitions in use.

## 7.9 PWM Brightness Control Electrical Characteristics

Limits apply over the full operation temperature range  $-40^{\circ}\text{C} \leq T_A \leq +125^{\circ}\text{C}$ , unless otherwise specified,  $V_{IN} = 12\text{V}$ .

PARAMETER		TEST CONDITIONS	MIN	TYP	MAX	UNIT
$f_{PWM}$	PWM input frequency		100		20 000	Hz
$t_{ON/OFF}$	Minimum on/off time <sup>(1)</sup>			0.5		$\mu\text{s}$

- (1) This specification is not ensured by ATE.

## 7.10 Boost and SEPIC Converter Characteristics

Limits apply over the full operation temperature range  $-40^{\circ}\text{C} \leq T_A \leq +125^{\circ}\text{C}$ , unless otherwise specified,  $V_{IN} = 12\text{V}$ .

PARAMETER		TEST CONDITIONS	MIN	TYP	MAX	UNIT
$V_{IN}$	Input voltage		4.5		40	V
$V_{OUT}$	Output voltage		6		45	
$f_{SW\_MIN}$	Minimum switching frequency	Defined by $R_{FSET}$ resistor		300		kHz
$f_{SW\_MAX}$	Maximum switching frequency	Defined by $R_{FSET}$ resistor		2 200		kHz
$t_{OFF}$	Minimum switch OFF time <sup>(1)</sup>	$f_{SW} \geq 1.15\text{MHz}$			55	ns
$I_{SW\_MAX}$	SW current limit first triggered		3.3	3.7	4.1	A
$t_{SW\_MAX}$	SW current limit first triggered period			1.6		s
$I_{SW\_LIM}$	SW current limit		3	3.35	3.7	A
$R_{DSON}$	FET $R_{DSON}$			240	400	m $\Omega$
$f_{SYNC}$	External SYNC frequency		300		2 200	kHz
$t_{SYNC\_ON}$	External SYNC on time <sup>(1)</sup>		150			ns
$t_{SYNC\_OFF}$	External SYNC off time <sup>(1)</sup>		150			ns

- (1) This specification is not ensured by ATE.

## 7.11 Logic Interface Characteristics

Limits apply over the full operation temperature range  $-40^{\circ}\text{C} \leq T_A \leq +125^{\circ}\text{C}$ , unless otherwise specified,  $V_{IN} = 12\text{V}$ .

PARAMETER		TEST CONDITIONS	MIN	TYP	MAX	UNIT
<b>LOGIC INPUT VDDIO/EN</b>						
$V_{IL}$	Input low level				0.4	V
$V_{IH}$	Input high level		1.65			
$I_{EN}$	Input DC current		-1	5	30	$\mu\text{A}$
	Input transient current during VDDIO/EN powering up				1.2	mA
<b>LOGIC INPUT SYNC, PWM</b>						

**Logic Interface Characteristics (continued)**

 Limits apply over the full operation temperature range  $-40^{\circ}\text{C} \leq T_A \leq +125^{\circ}\text{C}$ , unless otherwise specified,  $V_{IN} = 12\text{V}$ .

PARAMETER		TEST CONDITIONS	MIN	TYP	MAX	UNIT
$V_{IL}$	Input low level				$0.2 \times V_{DDIO/EN}$	V
$V_{IH}$	Input high level		$0.8 \times V_{DDIO/EN}$			V
$I_I$	Input current		-1		1	$\mu\text{A}$
<b>LOGIC OUTPUT FAULT</b>						
$V_{OL}$	Output low level	Pullup current 3 mA		0.3	0.5	V
$I_{LEAKAGE}$	Output leakage current	$V = 5.5\text{ V}$			1	$\mu\text{A}$



## 7.12 Typical Characteristics

Unless otherwise specified: D = NRVB460MFS, T<sub>A</sub> = 25°C

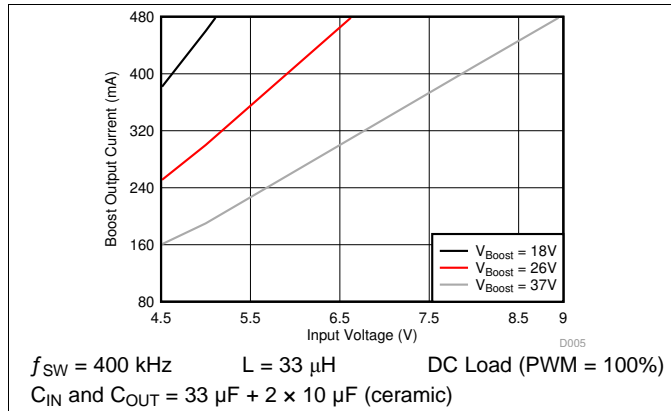


Figure 1. Maximum Boost Current

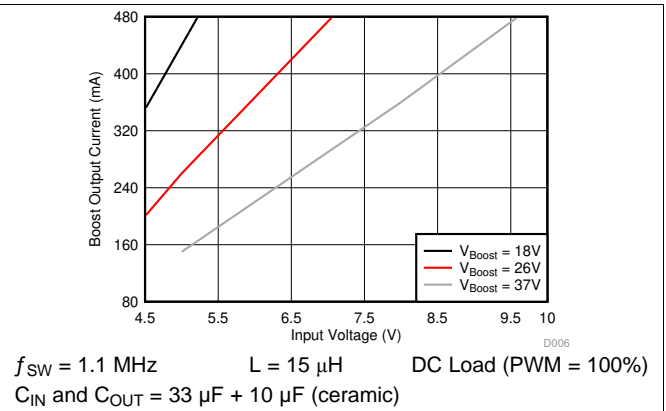


Figure 2. Maximum Boost Current

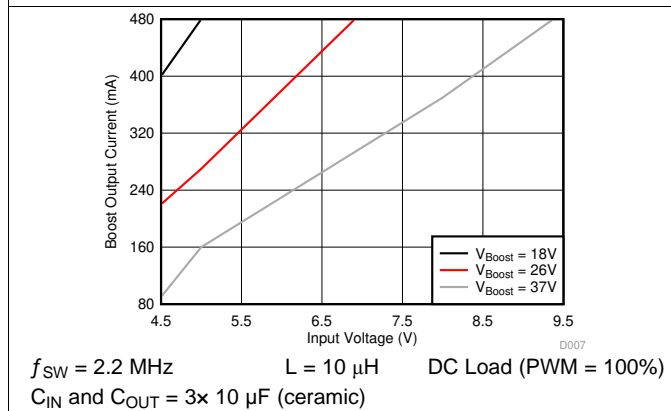


Figure 3. Maximum Boost Current

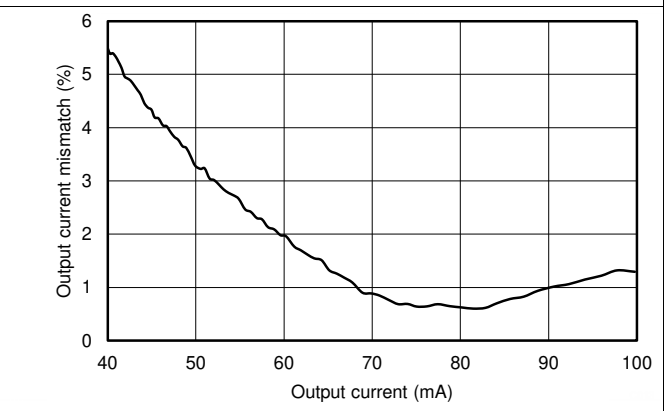


Figure 4. LED Current Sink Matching

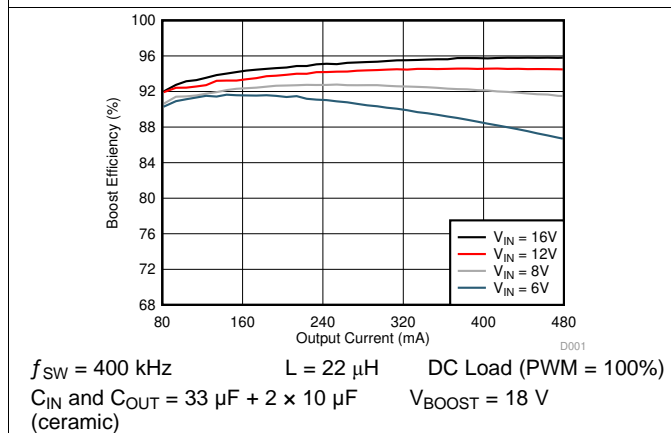


Figure 5. Boost Efficiency

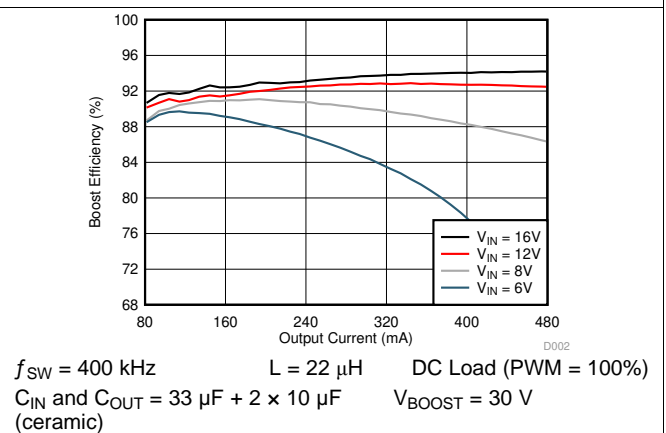
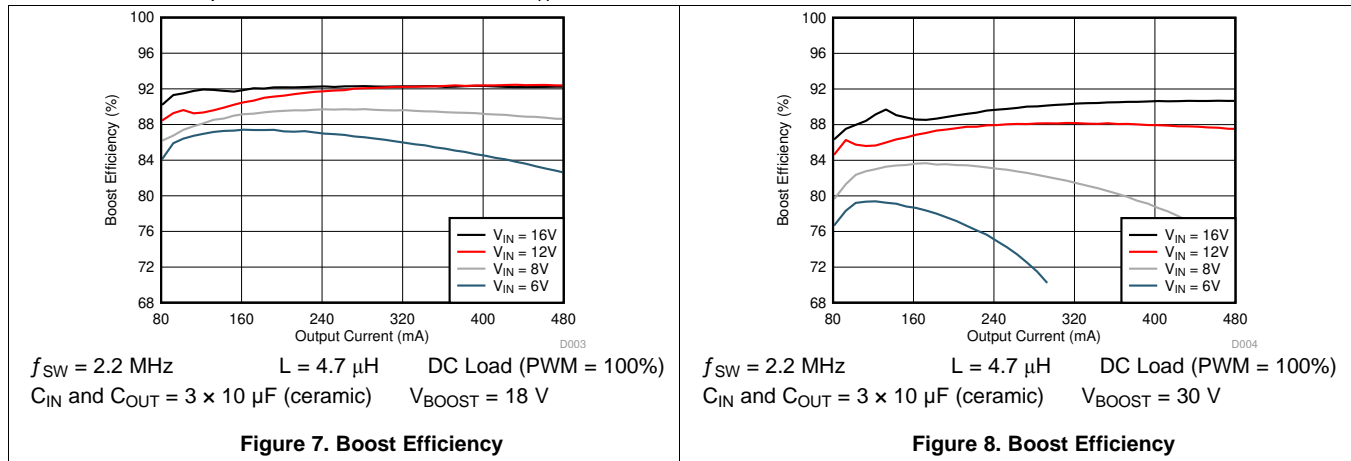


Figure 6. Boost Efficiency

### Typical Characteristics (continued)

Unless otherwise specified: D = NRVB460MFS, T<sub>A</sub> = 25°C



## 8 Detailed Description

### 8.1 Overview

The LP8867C-Q1, LP8869C-Q1 is a highly integrated LED driver for automotive infotainment, cluster and HUD medium-size LCD backlight applications. It includes a DC-DC with an integrated FET, supporting both boost and SEPIC modes, an internal LDO enabling direct connection to battery without need for a pre-regulated supply and 3 or 4 LED current sinks. The VDDIO/EN pin provides the supply voltage for digital IOs (PWM and SYNC inputs) and at the same time enables the device.

The switching frequency on the DC-DC converter is set by a resistor connected to the FSET pin. The maximum voltage of the DC-DC is set by a resistive divider connected to the FB pin. For the best efficiency, the output voltage is adapted automatically to the minimum necessary level needed to drive the LED strings. This is done by monitoring LEDs' cathode voltage in real time. For EMI reduction, two optional features are available:

- Spread spectrum, which reduces EMI noise around the switching frequency and its harmonic frequencies
- DC-DC can be synchronized to an external frequency connected to SYNC pin

The 3 or 4 constant current outputs OUT1, OUT2, OUT3, and OUT4 provide LED current up to 120 mA. Value for the current per OUT pin is set with a resistor connected to ISET pin. Current sinks that are not used must be connected to ground. Grounded current sink is disabled and excluded from boost adaptive voltage detection loop.

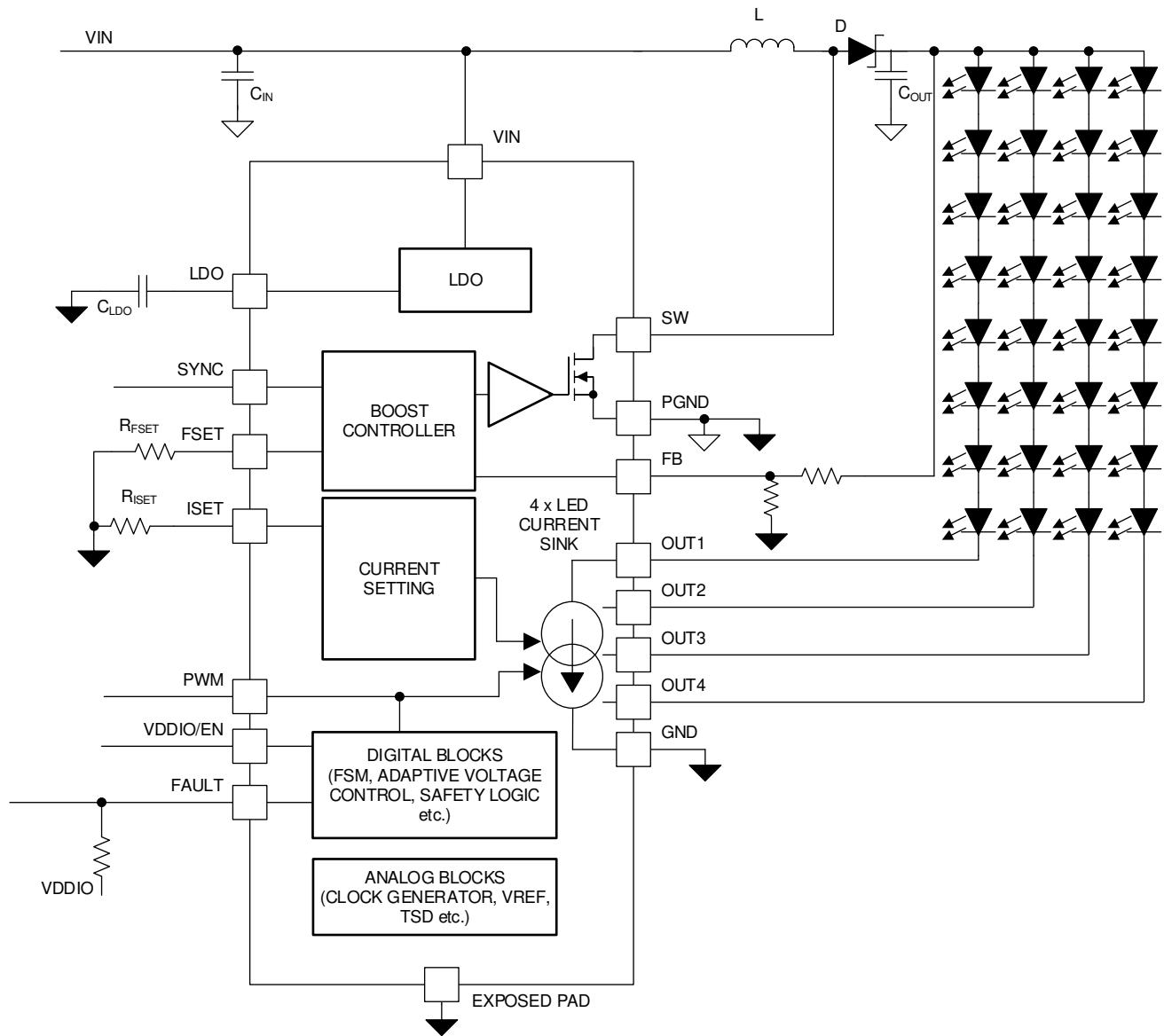
Brightness is controlled with the PWM input. Frequency range for the input PWM is from 100 Hz to 20 kHz. LED output PWM behavior follows the input PWM so the output frequency is equal to the input frequency.

LP886xC-Q1 has extensive fault detection features:

- LED open and short detection
- $V_{IN}$  input overvoltage protection
- $V_{IN}$  input undervoltage protection
- $V_{Boost}$  output overvoltage protection
- SW overvoltage protection
- Thermal shutdown in case of chip overheated

Fault condition is indicated through the FAULT output pin.

## 8.2 Functional Block Diagram



## 8.3 Feature Description

### 8.3.1 Integrated DC-DC Converter

The LP886xC-Q1 DC-DC converter generates supply voltage for the LEDs and can operate in boost mode or in SEPIC mode. The output voltage, switching frequency are all configured by external resistors.

#### 8.3.1.1 DC-DC Converter Parameter Configuration

The LP886xC-Q1 converter is a current-peak mode DC-DC converter, where the switch FET's current and the output voltage feedback are measured and controlled. The block diagram shown in [Figure 9](#)

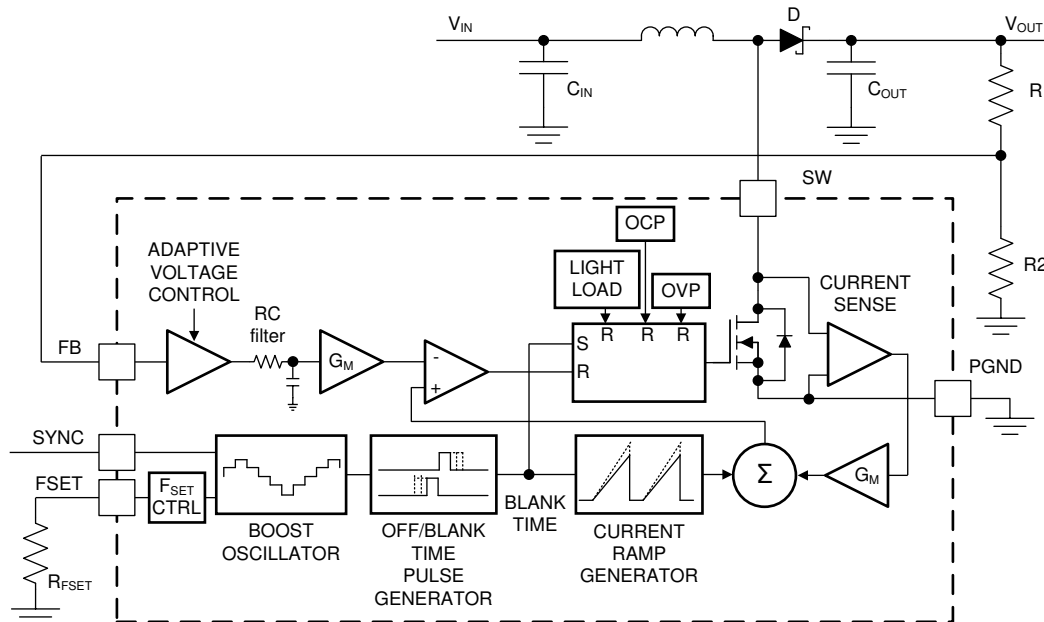


Figure 9. Boost Block Diagram

#### 8.3.1.1.1 Switching Frequency

Switching frequency is adjustable between 300 kHz and 2.2 MHz with  $R_{FSET}$  resistor as [Equation 1](#):

$$f_{SW} = 67600 / (R_{FSET} + 6.4)$$

where

- $f_{SW}$  is switching frequency, kHz
- $R_{FSET}$  is frequency setting resistor, k $\Omega$

(1)

For example, if  $R_{FSET}$  is set to 163 k $\Omega$ ,  $f_{SW}$  will be 400 kHz.

In most cases, lower switching frequency has higher system efficiency and lower internal temperature increase.

#### 8.3.1.1.2 Spread Spectrum and External SYNC

LP886xC-Q1 has an optional spread spectrum feature ( $\pm 3\%$  from central frequency, 1-kHz modulation frequency) which reduces EMI noise at the switching frequency and its harmonic frequencies. If SYNC pin level is low, spread spectrum function is disabled. If SYNC pin level is high, spread spectrum function is enabled.

LP886xC-Q1 DC-DC converter can be driven by an external SYNC signal between 300 kHz and 2.2 MHz. When external synchronization is used, spread spectrum is not available. If the external synchronization input disappears, DC-DC continues operation at the frequency defined by  $R_{FSET}$  resistor and spread spectrum function will be enabled/disabled depending on the final SYNC pin level.

External SYNC frequency must be 1.2 to 1.5 times higher than the frequency defined by  $R_{FSET}$  resistor. In external SYNC configuration, minimum frequency setting with  $R_{FSET}$  could go as low as 250 kHz to support 300-kHz switching with external clock.

## Feature Description (continued)

**Table 1. DC-DC Synchronization Mode**

SYNC PIN INPUT	MODE
Low	Spread spectrum disabled
High	Spread spectrum enabled
300 to 2200 kHz frequency	Spread spectrum disabled, external synchronization mode

### 8.3.1.1.3 Recommended Component Value and Internal Parameters

The LP886xC-Q1 DC-DC converter has an internal compensation network to ensure the stability. There's no external component needed for compensation. It's strongly recommended that the inductance value and the boost input and output capacitors value follow the requirement of [Table 2](#). Also, the DC-DC internal parameters are chosen automatically according to the selected switching frequency (see [Table 2](#)) to ensure stability.

**Table 2. Boost Converter Parameters<sup>(1)</sup>**

RANGE	FREQUENCY (kHz)	TYPICAL INDUCTANCE (μH)	TYPICAL BOOST INPUT AND OUTPUT CAPACITORS (μF)	MINIMUM SWITCH OFF TIME (ns) <sup>(2)</sup>	BLANK TIME (ns)
1	300 to 480	22 or 33	2 × 10 (cer.) + 33 (electr.)	150	95
2	480 to 1150	15	10 (cer.) + 33 (electr.)	60	95
3	1150 to 1650	10	3 × 10 (cer.)	40	95
4	1650 to 2200	4.7 or 10	3 × 10 (cer.)	40	70

(1) Parameters are for reference only

(2) Due to current sensing comparator delay the actual minimum off time is 6 ns (typical) longer than in the table.

### 8.3.1.1.4 DC-DC Converter Switching Current Limit

The LP886xC-Q1 DC-DC converter has an internal SW FET inside chip's SW pin. The internal FET current is limited to 3.35 A (typical). The DC-DC converter will sense the internal FET current, and turn off the internal FET cycle-by-cycle when the internal FET current reaches the limit.

To support start transient condition, the current limit could be automatically increased to 3.7 A for a short period of 1.6 seconds when a 3.35-A limit is reached.

#### NOTE

Application condition where the 3.35-A limit is exceeded continuously is not allowed. In this case the current limit would be 3.35 A for 1.6 seconds followed by 3.7-A limit for 1.6 seconds, and this 3.2-second period repeats.

### 8.3.1.1.5 DC-DC Converter Light Load Mode

LP886xC-Q1 DC-DC converter will enter into light load mode in below condition:

- $V_{IN}$  voltage is very close to  $V_{OUT}$
- Loading current is very low
- PWM pulse width is very short

When DC-DC converter enters into light load mode, DC-DC converter stops switching occasionally to make sure boost output voltage won't rise up too much. It could also be called as PFM mode, since the DC-DC converter switching frequency will change in this mode.

### 8.3.1.2 Adaptive Voltage Control

The LP886xC-Q1 DC/DC converter generates the supply voltage for the LEDs. During normal operation, boost output voltage is adjusted automatically based on the LED cathode (OUTx pin) voltages. This is called adaptive boost control. Only the active LED outputs are monitored to control the adaptive boost voltage. Any LED strings with open or short faults are removed from the adaptive voltage control loop. The OUTx pin voltages are periodically monitored by the control loop. The boost voltage is raised if any of the OUTx voltage falls below the

$V_{LOW\_COMP}$  threshold. The boost voltage is also lowered if all OUTx voltages are higher than  $V_{LOW\_COMP}$  threshold. The boost voltage keeps unchanged when one of OUTx voltage touches the  $V_{LOW\_COMP}$  threshold. In normal operation, the lowest voltage among the OUTx pins is around  $V_{LOW\_COMP}$ , and boost voltage stays constant.  $V_{LOW\_COMP}$  level is the minimum voltage which could guarantee proper LED current sink operation. See Figure 10 for how the boost voltage automatically scales based on the OUT1-4 pin voltage.

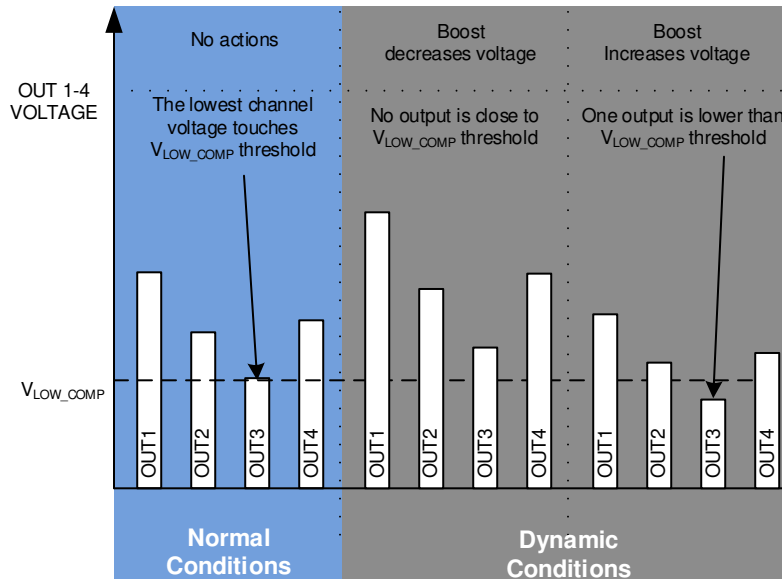


Figure 10. Adaptive Boost Voltage Control Loop Function

### 8.3.1.2.1 Using Two-Divider

$V_{BOOST\_MAX}$  voltage should be chosen based on the maximum voltage required for LED strings. Recommended maximum voltage is about 3 to 5-V higher than maximum LED string voltage. DC-DC output voltage is adjusted automatically based on LED cathode voltage. The maximum, minimum and initial boost voltages can be calculated with Equation 2:

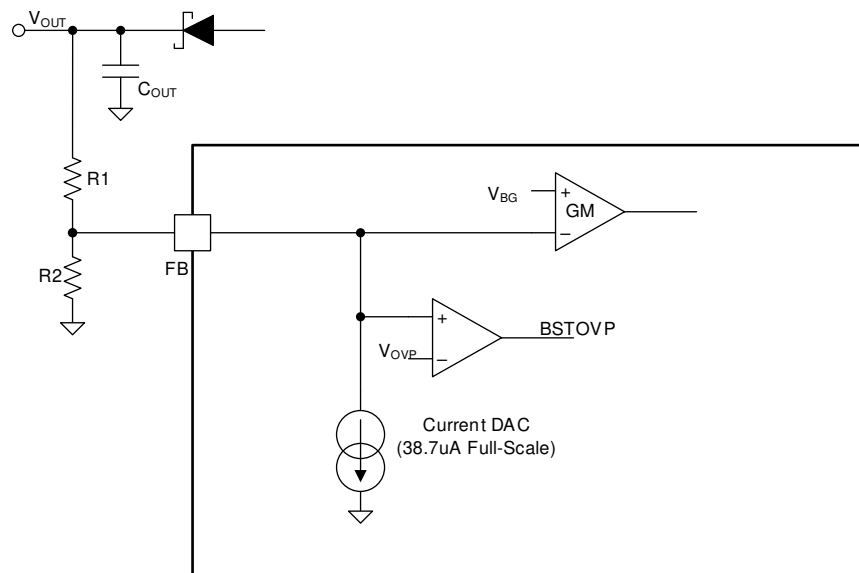
$$V_{BOOST} = \left( \frac{V_{BG}}{R2} + K \times 0.0387 \right) \times R1 + V_{BG}$$

where

- $V_{BG} = 1.2 \text{ V}$
- R2 recommended value is 10 k $\Omega$  to 200 k $\Omega$
- R1/R2 recommended value is 5 to 10 for <1150kHz DC-DC switching frequency
- R1/R2 recommended value is 10 to 20 for >1150kHz DC-DC switching frequency
- K = 1 for maximum adaptive boost voltage (typical)
- K = 0 for minimum adaptive boost voltage (typical)
- K = 0.88 for initial boost voltage (typical)

(2)

For example, if  $R_1$  is set to 750 k $\Omega$  and  $R_2$  is set to 130 k $\Omega$ ,  $V_{BOOST}$  will be in the range of 8.1 V to 37.1 V.


**Figure 11. FB External Two-Divider Resistors**

### 8.3.1.2.2 Using T-Divider

Alternatively, a T-divider can be used if resistance less than 100 kΩ is required for the external resistive divider. Then the maximum, minimum and initial boost voltages can be calculated with

$$V_{\text{BOOST}} = \left( \frac{R_1 \times R_3}{R_2} + R_1 + R_3 \right) K \times 0.0387 + \left( \frac{R_1}{R_2} + 1 \right) \times V_{\text{BG}}$$

where

- $V_{\text{BG}} = 1.2 \text{ V}$
- R2 recommended value is 10 kΩ to 200 kΩ
- R1/R2 recommended value is 5 to 10 for <1150kHz DC-DC switching frequency
- R1/R2 recommended value is 10 to 20 for >1150kHz DC-DC switching frequency
- $K = 1$  for maximum adaptive boost voltage (typical)
- $K = 0$  for minimum adaptive boost voltage (typical)
- $K = 0.88$  for initial boost voltage (typical)

(3)

For example, if  $R_1$  is set to 100 kΩ,  $R_2$  is set to 10 kΩ and  $R_3$  is set to 60 kΩ,  $V_{\text{BOOST}}$  will be in the range of 13.2 V to 42.6 V.



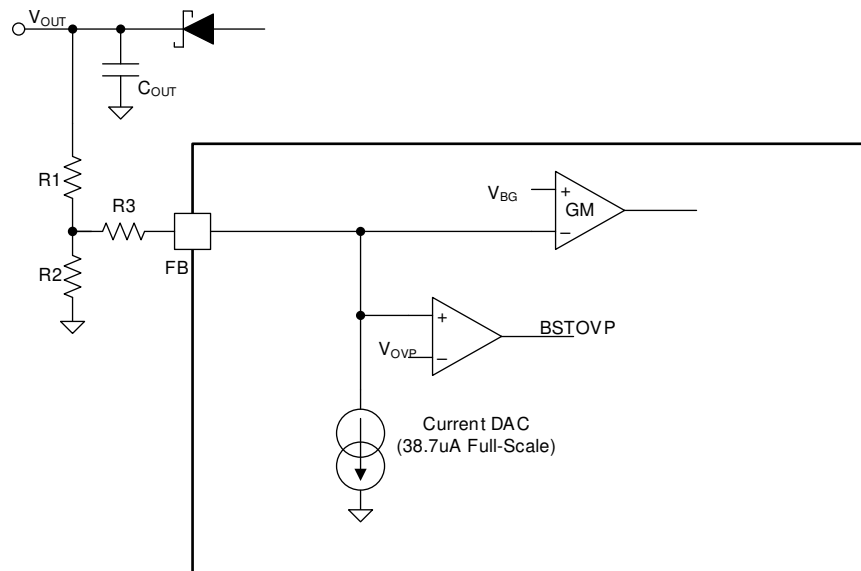


Figure 12. FB external T-divider resistors

### 8.3.1.2.3 Feedback Capacitor

When operating with no electrolytic capacitor in boost output, which is a typical case when boost frequency is in the 1.15-MHz to 2.2-MHz range, a feedback capacitor needs to be put in parallel with R1 to ensure the loop stability. The value of the capacitor is recommended to be:

$$C_{FB} = \frac{1}{2\pi f_z R1}$$

where

- $f_z = 20 \text{ kHz}$

(4)

For example, if R<sub>1</sub> is set to 750 kΩ, C<sub>FB</sub> needs to be around 11 pF.

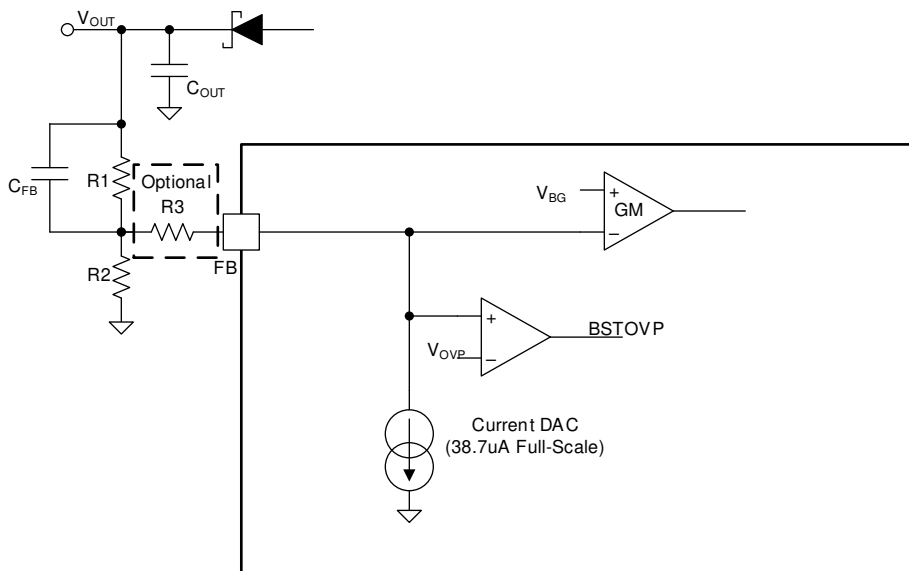


Figure 13. FB External Resistors With Capacitor When Operating With No Electrolytic Capacitor In Boost Output

### 8.3.2 Internal LDO

The internal LDO regulator converts the input voltage at VIN to a 4.3-V output voltage for internal use. Connect a minimum of 1- $\mu$ F ceramic capacitor from LDO pin to ground, as close to the LDO pin as possible.

### 8.3.3 LED Current Sinks

#### 8.3.3.1 LED Output Configuration

LP886xC-Q1 detects LED output configuration during start-up. Any current sink output connected to ground is disabled and excluded from the adaptive voltage control of the DC-DC converter and fault detections.

If more current is needed, LP886xC-Q1's output could also be connected together to support the high current LED.

#### 8.3.3.2 LED Current Setting

The output current of the LED outputs is controlled with external R<sub>ISSET</sub> resistor. R<sub>ISSET</sub> value for the target LED current per channel can be calculated using [Equation 5](#):

$$I_{LED} = 2000 \times \frac{V_{BG}}{R_{ISSET}}$$

where

- V<sub>BG</sub> = 1.2 V
- R<sub>ISSET</sub> is current setting resistor, k $\Omega$
- I<sub>LED</sub> is output current per OUTx pin, mA (5)

For example, if R<sub>ISSET</sub> is set to 20 k $\Omega$ , I<sub>LED</sub> will be 120 mA per channel.

#### 8.3.3.3 Brightness Control

LP886xC-Q1 controls the brightness of the display with conventional PWM. Output PWM directly follows the input PWM. Input PWM frequency can be in the range of 100 Hz to 20 kHz.

### 8.3.4 Protection and Fault Detections

The LP886xC-Q1 has fault detection for LED open and short, VIN input overvoltage protection (VIN\_OVP), VIN undervoltage protection (VIN\_UVLO), Boost output overvoltage protection (BST\_OVP), SW overvoltage protection (SW\_OVP) and thermal shutdown (TSD).

#### 8.3.4.1 Supply Fault and Protection

##### 8.3.4.1.1 VIN Undervoltage Fault (VIN\_UVLO)

The LP886xC-Q1 device supports VIN undervoltage protection. The VIN undervoltage falling threshold is 3.85-V typical and rising threshold is 4-V typical. If during operation of the LP886xC-Q1 device, the VIN pin voltage falls below the VIN undervoltage falling threshold, the boost, LED outputs, and power-line FET will be turned off, and the device will enter FAULT RECOVERY mode. The FAULT pin will be pulled low. The LP886xC-Q1 will exit FAULT RECOVERY mode after 100 ms and try the start-up sequence again. VIN\_UVLO fault detection is available in SOFT START, BOOST START, and NORMAL state.

##### 8.3.4.1.2 VIN Overvoltage Fault (VIN\_OVP)

The LP886xC-Q1 device supports VIN overvoltage protection. The VIN overvoltage threshold is 42-V typical. If during LP886xC-Q1 operation, VIN pin voltage rises above the VIN overvoltage threshold, the boost, LED outputs and the power-line FET will be turned off, and the device will enter FAULT RECOVERY mode. The FAULT pin will be pulled low. The LP886xC-Q1 will exit FAULT RECOVERY mode after 100 ms and try the start-up sequence again. VIN\_OVP fault detection is available in SOFT START, BOOST START and NORMAL state.

### 8.3.4.2 Boost Fault and Protection

#### 8.3.4.2.1 Boost Overvoltage Fault (BST\_OVP)

The LP886xC-Q1 device supports boost overvoltage protection. If during LP886xC-Q1 operation, the FB pin voltage exceeds the  $V_{FB\_OVP}$  threshold, which is 2.3-V typical, the boost, LED outputs and the power-line FET will be turned off, and the device will enter FAULT RECOVERY mode. The FAULT pin will be pulled low. The LP886xC-Q1 will exit FAULT RECOVERY mode after 100 ms and try the start-up sequence again. BST\_OVP fault detection is available in NORMAL state.

Calculating back from FB pin voltage threshold to boost output OVP voltage threshold, the value is not a static threshold, but a dynamic threshold changing with the current target boost adaptive voltage:

$$V_{BOOST\_OVP} = V_{BOOST} + \left( \frac{R_1}{R_2} + 1 \right) \times (V_{FB\_OVP} - V_{BG})$$

where

- $V_{BOOST}$  is the current target boost adaptive voltage, which in most time is the current largest LED string forward voltage among multiple strings + 0.9 V in steady state
- $V_{FB\_OVP} = 2.3 \text{ V}$
- $V_{BG} = 1.2 \text{ V}$
- $R_1$  and  $R_2$  is the resistor value of FB external network in [Using Two-Divider](#) and [Using T-Divider](#) (6)

For example, if  $R_1$  is set to 750 k $\Omega$  and  $R_2$  is set to 130 k $\Omega$ ,  $V_{BOOST}$  will report OVP when the boost voltage is 7.4 V above target boost voltage.

This equation holds true in both two-divider FB external network and T-divider FB external network.

#### 8.3.4.2.2 SW Overvoltage Fault (SW\_OVP)

Besides boost overvoltage protection, the LP886xC-Q1 supports SW pin overvoltage protection to further protect the boost system from overvoltage scenario. If during LP886xC-Q1 operation, the SW pin voltage exceeds the  $V_{SW\_OVP}$  threshold, which is 49-V typical, the boost, LED outputs and the power-line FET are turned off, and the device will enter FAULT RECOVERY mode. The FAULT pin will be pulled low. The LP886xC-Q1 will exit FAULT RECOVERY mode after 100 ms and try the start-up sequence again. SW\_OVP fault detection is available in SOFT START, BOOST START and NORMAL state.

### 8.3.4.3 LED Fault and Protection

Every LED current sink has 3 comparators for LED fault detections.

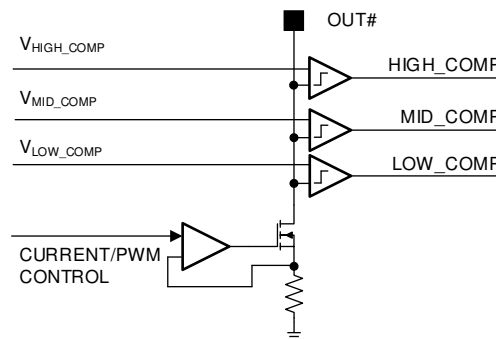


Figure 14. Comparators for LED Fault Detection

Figure 15 shows cases which generates LED faults. Any LED faults will pull the Fault pin low.

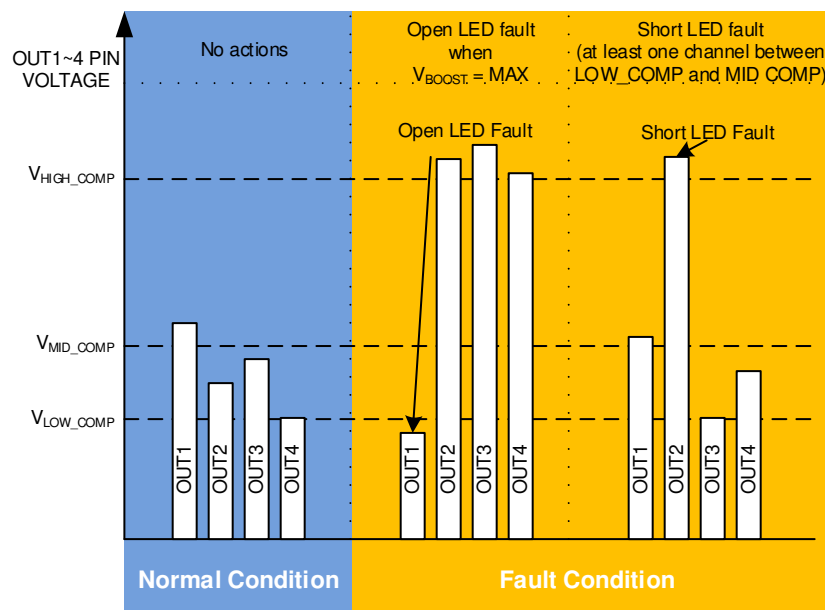
### 8.3.4.3.1 LED Open Fault (LED\_OPEN)

During normal operation, boost voltage is raised if any of the used LED outputs falls below the  $V_{LOW\_COMP}$  threshold. Open LED fault is detected if boost output voltage has reached the maximum and at least one LED output is still below the threshold. The open string is then disconnected from the boost adaptive control loop and its output is disabled.

### 8.3.4.3.2 LED Short Fault (LED\_SHORT)

Shorted LED fault is detected if one or more LED outputs are above the  $V_{HIGH\_COMP}$  threshold (typical 6 V) and at least one LED output is inside the normal operation window (between  $V_{LOW\_COMP}$  and  $V_{MID\_COMP}$ , typical 0.9 V and 1.9 V). The shorted string is disconnected from the boost adaptive control loop and its output is disabled.

LED Open fault detection and LED Short fault detection are available only in NORMAL state.



**Figure 15. Protection and DC-DC Voltage Adaptation Algorithms**

If LED fault is detected, the device continues normal operation and only the faulty string is disabled. The fault is indicated via the FAULT pin which can be released by toggling VDDIO/EN pin low for a short period of 2  $\mu$ s to 20  $\mu$ s. LEDs are turned off for this period but the device stays in NORMAL state. If VDDIO/EN is low longer, the device goes to STANDBY and restarts when EN goes high again.

This means if the system doesn't want to simply disable the device because of LED faults. It could clear the LED faults by toggling VDDIO/EN pin low for a short period of 2  $\mu$ s to 20  $\mu$ s.

### 8.3.4.4 Thermal Fault and Protection (TSD)

If the die temperature of LP886xC-Q1 reaches the thermal shutdown threshold  $T_{TSD}$ , which is 165°C typical, the boost, power-line FET and LED outputs are turned off to protect the device from damage. The FAULT pin will be pulled low. The LP886xC-Q1 will exit FAULT RECOVERY mode after 100 ms and try the start-up sequence again. Only if the die temperature drops lower than  $T_{TSD} - T_{TSD\_HYS}$ , which is 145°C typical, the device could start-up normally. TSD fault detection is available in SOFT START, BOOST START and NORMAL state.

### 8.3.4.5 Overview of the Fault and Protection Schemes

A summary of the LP886xC-Q1 fault detection behavior is shown in [Table 3](#). Detected faults (excluding LED open or short) cause device to enter FAULT RECOVERY state. In FAULT\_RECOVERY the DC-DC and LED current sinks of the device are disabled, and the FAULT pin is pulled low. The device will exit FAULT RECOVERY mode after 100 ms and try the start-up sequence again. When recovery is successful and device enters into NORMAL state, the FAULT pin is released high.

**Table 3. Fault Detections**

FAULT/ PROTECTION	FAULT NAME	CONDITION	FAULT PIN	Enter FAULT_RECOVERY STATE	ACTIVE STATE	ACTION
VIN overvoltage protection	VIN_OVP	VIN > 42 V	Yes	Yes	SOFT START, BOOST START, NORMAL	Device enters into FAULT RECOVERY state, and restarts after 100 ms
VIN undervoltage protection	VIN_UVLO	Effective when VIN < 3.85 V Released when VIN >4 V	Yes	Yes	SOFT START, BOOST START, NORMAL	Device enters into FAULT RECOVERY state, and restarts after 100 ms
Open LED fault	LED_OPEN	Adaptive Voltage is max. and any OUTx voltage < 0.9 V	Yes	No	NORMAL	Open string is removed from the DC-DC voltage control loop and output is disabled. Fault pin low could be released by toggling VDDIO/EN pin, If VDDIO/EN is low for a period of 2 μs to 20 μs, LEDs are turned off for this period but device stays in NORMAL.
Shorted LED fault	LED_SHORT	One of OUTx voltage is [0.9 V, 1.9 V] and any OUTx voltage > 6 V	Yes	No	NORMAL	Short string is removed from the DC-DC voltage control loop and output is disabled. Fault pin low could be released by toggling VDDIO/EN pin, If VDDIO/EN is low for a period of 2 μs to 20 μs, LEDs are turned off for this period but device stays NORMAL.
Boost overvoltage protection	BST_OVP	V <sub>FB</sub> > 2.3 V	Yes	Yes	NORMAL	Fault is detected if boost overvoltage condition duration is more than 560 ms Device enters into FAULT RECOVERY state, and restarts after 100 ms
SW overvoltage protection	SW_OVP	V <sub>SW</sub> > 49 V	Yes	Yes	SOFT START, BOOST START, NORMAL	Device enters into FAULT RECOVERY state, and restarts after 100 ms
Thermal protection	TSD	Effective when T <sub>j</sub> > 165 °C Released when T <sub>j</sub> < 145 °C	Yes	Yes	SOFT START, BOOST START, NORMAL	Device enters into FAULT RECOVERY state, and restarts until TSD fault is released

## 8.4 Device Functional Modes

### 8.4.1 STANDBY State

The LP886xC-Q1 enters STANDBY state when the VIN voltage powers on and voltage is higher than VINUVLO rising threshold, which is 4-V typical. In STANDBY state, the device is able to detect VDDIO/EN signal. When VDDIO/EN is pulled high, the internal LDO wakes up and the device enters into SOFT START state. The device will re-enter the STANDBY state when VDDIO/EN is pulled low for more than 50  $\mu$ s.

### 8.4.2 SOFT START State

In SOFT START state, Power-line FET is enabled, and boost input and output capacitors are charged to VIN level. VIN\_OVP, VIN\_UVLO, SW\_OVP and TSD fault are active. After 65 ms, the device enters into BOOST START state.

### 8.4.3 BOOST START State

In BOOST START state, DC-DC controller is turned on and boost voltage is ramped to initial boost voltage level with reduced current limit. VIN\_OVP, VIN\_UVLO, SW\_OVP and TSD fault are active in this state. After 50 ms, LED outputs do a one-time detection on grounded outputs. Grounded outputs are disabled and excluded from the adaptive voltage control loop. Then the device enters into NORMAL state.

### 8.4.4 NORMAL State

In NORMAL state, LED drivers are enabled when PWM signal is high. All faults are active in this state. Fault pin will be released high in the start of NORMAL state if recovering from FAULT RECOVERY state and no fault is available.

### 8.4.5 FAULT RECOVERY State

Non-LED faults can trigger fault recovery state. LED drivers, boost converter and power-line FET are all disabled. After 100 ms, the device attempts to restart from SOFT START state if VDDIO/EN is still high.

### 8.4.6 State Diagram and Timing Diagram for Start-up and Shutdown

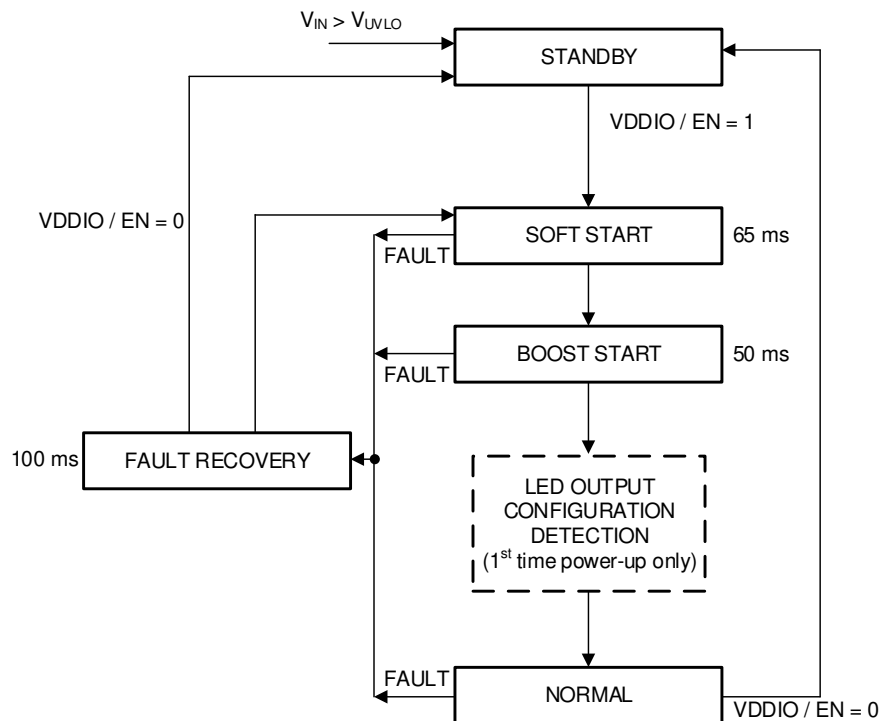
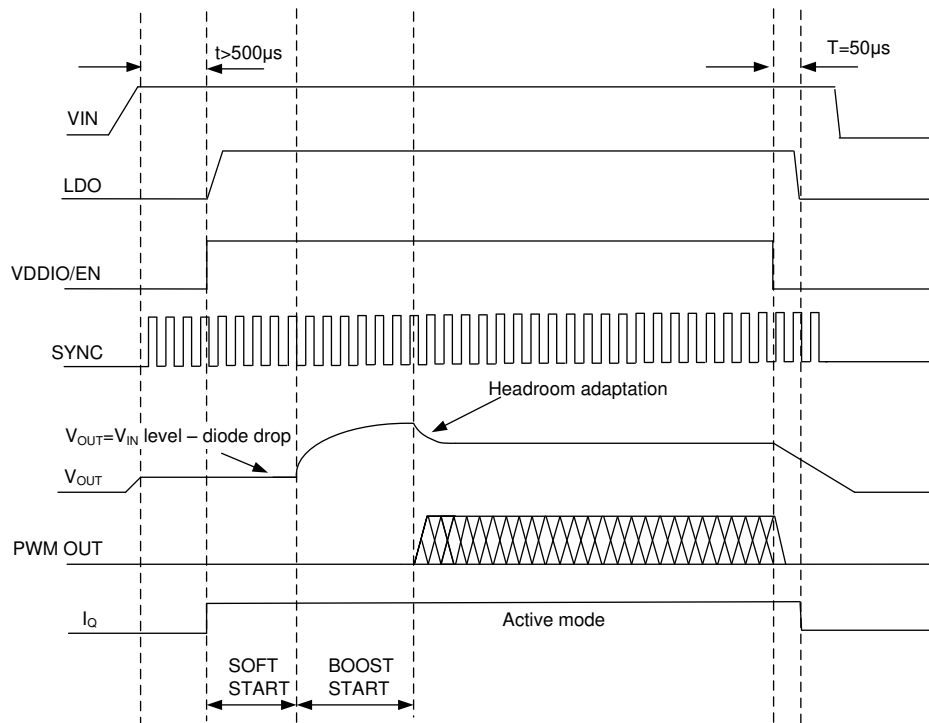


Figure 16. State Diagram

**Device Functional Modes (continued)**



**Figure 17. Timing Diagram for the Typical Start-Up and Shutdown**

## 9 Application and Implementation

### NOTE

Information in the following applications sections is not part of the TI component specification, and TI does not warrant its accuracy or completeness. TI's customers are responsible for determining suitability of components for their purposes. Customers should validate and test their design implementation to confirm system functionality.

### 9.1 Application Information

The LP886xC-Q1 is designed for automotive applications. The input voltage ( $V_{IN}$ ) is intended to be connected to the automotive battery, which supports voltage range from 4.5 V to 40 V. Device internal circuitry is powered from the integrated LDO.

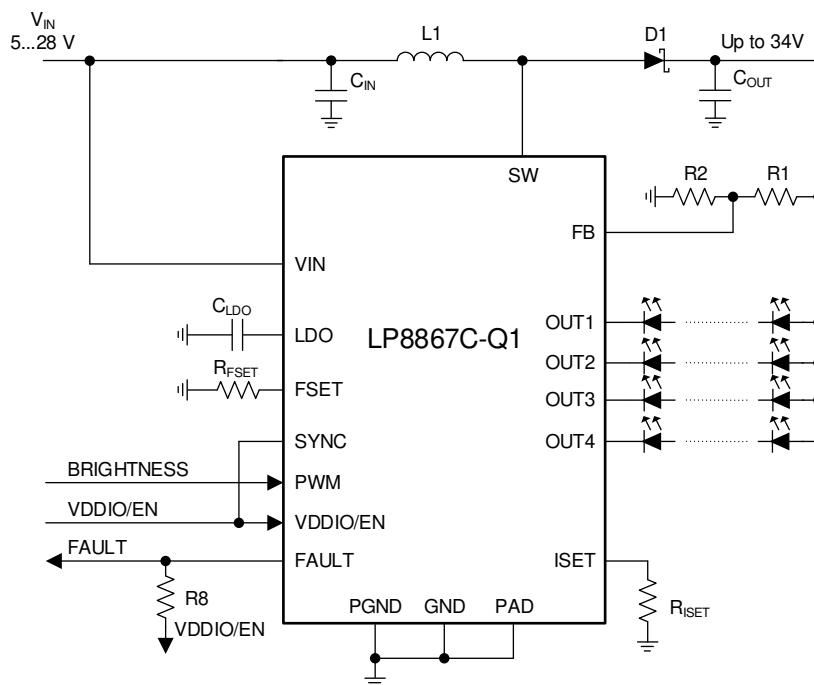
The LP886xC-Q1 uses a simple four-wire control:

- VDDIO/EN for enable
- PWM input for brightness control
- SYNC pin for boost synchronisation (optional)
- FAULT output to indicate fault condition (optional)

### 9.2 Typical Applications

#### 9.2.1 Typical Application for 4 LED Strings

Figure 18 shows the typical application for LP8867-Q1 which supports 4 LED strings, 100 mA per string, with a boost switching frequency of 400 kHz.



**Figure 18. Four Strings 100 mA per String Configuration**



## Typical Applications (continued)

### 9.2.1.1 Design Requirements

DESIGN PARAMETER	VALUE
V <sub>IN</sub> voltage range	5 V – 28 V
LED string	4P8S LEDs (30 V max)
LED string current	100 mA
Maximum boost voltage	34 V
Boost switching frequency	400 kHz
External boost sync	not used
Boost spread spectrum	enabled
L1	33 μH
C <sub>IN</sub>	100 μF, 50 V
C <sub>IN BOOST</sub>	2 × (10 μF, 50-V ceramic) + 33 μF, 50-V electrolytic
C <sub>OUT</sub>	2 × (10 μF, 50-V ceramic) + 33 μF, 50-V electrolytic
C <sub>LDO</sub>	1 μF, 10 V
R <sub>ISET</sub>	24 kΩ
R <sub>FSET</sub>	160 kΩ
R1	685 kΩ
R2	130 kΩ
R8	10 kΩ

### 9.2.1.2 Detailed Design Procedure

#### 9.2.1.2.1 Inductor Selection

There are two main considerations when choosing an inductor; the inductor must not saturate, and the inductor current ripple must be small enough to achieve the desired output voltage ripple. Different saturation current rating specifications are followed by different manufacturers so attention must be given to details. Saturation current ratings are typically specified at 25°C. However, ratings at the maximum ambient temperature of application should be requested from the manufacturer. Shielded inductors radiate less noise and are preferred. The saturation current must be greater than the sum of the maximum load current, and the worst case average-to-peak inductor current. Equation 7 shows the worst case conditions

$$I_{SAT} > \frac{I_{OUTMAX}}{D'} + I_{RIPPLE} \quad \text{For Boost}$$

$$\text{Where } I_{RIPPLE} = \frac{(V_{OUT} - V_{IN})}{(2 \times L \times f)} \times \frac{V_{IN}}{V_{OUT}}$$

$$\text{Where } D = \frac{(V_{OUT} - V_{IN})}{(V_{OUT})} \text{ and } D' = (1 - D)$$

- I<sub>RIPPLE</sub> - peak inductor current
- I<sub>OUTMAX</sub> - maximum load current
- V<sub>IN</sub> - minimum input voltage in application
- L - min inductor value including worst case tolerances
- f - minimum switching frequency
- V<sub>OUT</sub> - output voltage
- D - Duty Cycle for CCM Operation

(7)

As a result, the inductor should be selected according to the I<sub>SAT</sub>. A more conservative and recommended approach is to choose an inductor that has a saturation current rating greater than the maximum current limit. A saturation current rating of at least 4.1 A is recommended for most applications. See Table 2 for recommended inductance value for the different switching frequency ranges. The inductor's resistance should be less than 300 mΩ for good efficiency.

See detailed information in [Understanding Boost Power Stages in Switch Mode Power Supplies](#). [Power Stage Designer Tool](#) can be used for the boost calculation.

### 9.2.1.2.2 Output Capacitor Selection

A ceramic capacitor with  $2 \times V_{MAX\_BOOST}$  or more voltage rating is recommended for the output capacitor. The DC-bias effect can reduce the effective capacitance by up to 80%, which needs to be considered in capacitance value selection. If the selected ceramic capacitors' voltage rating is less than  $2 \times V_{MAX\_BOOST}$ , an alternative way is to increase the number of ceramic capacitors. Capacitance recommendations for different switching frequencies are shown in [Table 2](#). To minimize audible noise of ceramic capacitors their physical size should typically be minimized.

### 9.2.1.2.3 Input Capacitor Selection

A ceramic capacitor with  $2 \times V_{IN\_MAX}$  or more voltage rating is recommended for the input capacitor. The DC-bias effect can reduce the effective capacitance by up to 80%, which needs to be considered in capacitance value selection. If the selected ceramic capacitors' voltage rating is less than  $2 \times V_{MAX\_BOOST}$ , an alternative way is to increase the number of ceramic capacitors. Capacitance recommendations for different boost switching frequencies are shown in [Table 2](#).

### 9.2.1.2.4 LDO Output Capacitor

A ceramic capacitor with at least 10-V voltage rating is recommended for the output capacitor of the LDO. The DC-bias effect can reduce the effective capacitance by up to 80%, which needs to be considered in capacitance value selection. Typically a 1- $\mu$ F capacitor is sufficient.

### 9.2.1.2.5 Diode

A Schottky diode should be used for the boost output diode. Do not use ordinary rectifier diodes, because slow switching speeds and long recovery times degrade the efficiency and the load regulation. Diode rating for peak repetitive current should be greater than inductor peak current (up to 4.1 A) to ensure reliable operation in boost mode. Average current rating should be greater than the maximum output current. Schottky diodes with a low forward drop and fast switching speeds are ideal for increasing efficiency. Choose a reverse breakdown voltage of the Schottky diode significantly larger than the output voltage. The junction capacitance of Schottky diodes are also very important. Big junction capacitance leads to huge reverse current and big noise when boost is switching. A <500-pF junction capacitance at  $V_R = 0.1$  V Schottky diode is recommended.

### 9.2.1.3 Application Curves

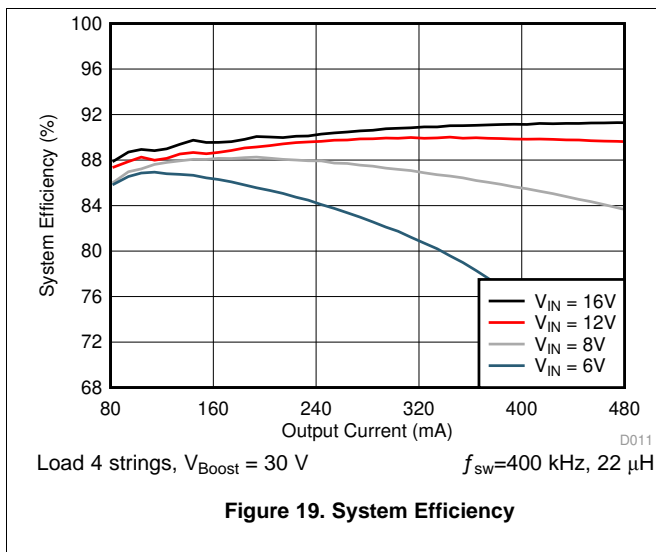


Figure 19. System Efficiency

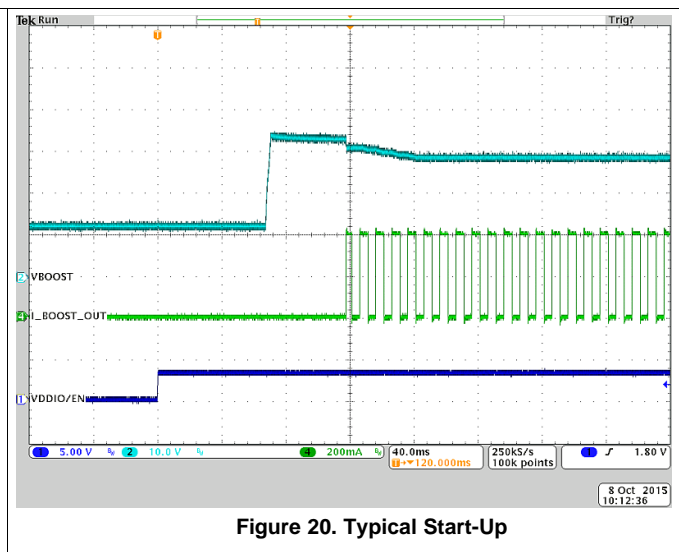


Figure 20. Typical Start-Up

### 9.2.2 SEPIC Mode Application

When LED string voltage can be above or below  $V_{IN}$  voltage, SEPIC configuration can be used. In this example, two separate coils or coupled coil could both be used for SEPIC. Separate coils can enable lower height external components to be used, compared to a coupled coil solution. On the other hand, coupled coil typically maximizes the efficiency. Also, in this example, an external clock is used to synchronize SEPIC switching frequency. External clock input can be modulated to spread switching frequency spectrum.

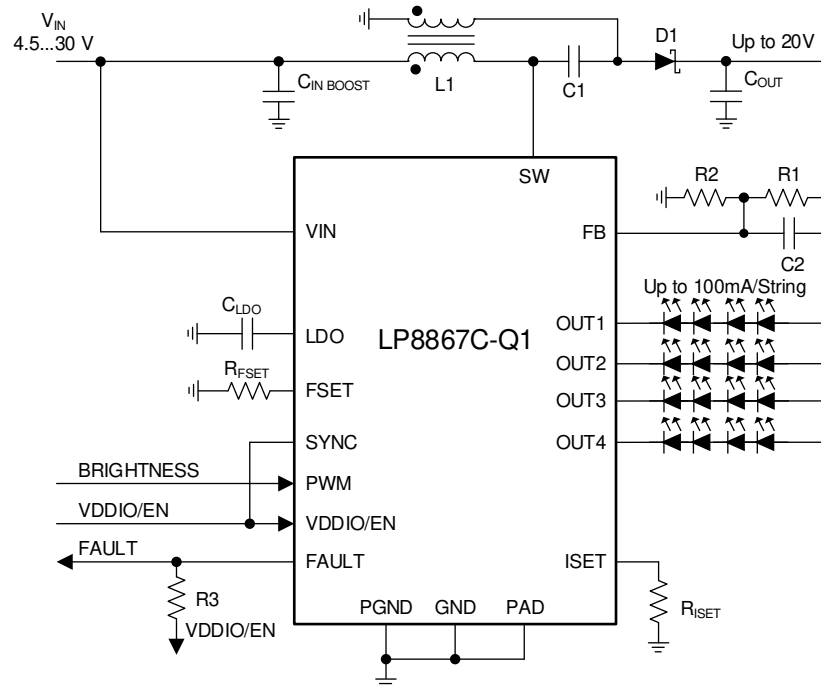


Figure 21. SEPIC Mode, 4 Strings 100 mA and String Configuration

### 9.2.2.1 Design Requirements

DESIGN PARAMETER	VALUE
$V_{IN}$ voltage range	4.5 V – 30 V
LED string	4P4S LEDs (15 V max)
LED string current	100 mA
Maximum output voltage	20 V
SEPIC switching frequency	2.2 MHz
External sync for SEPIC	used
Spread spectrum	Internal spread spectrum disabled (external sync used)
L1, L2	4.7 $\mu$ H
$C_{IN}$	10 $\mu$ F 50 V
$C_{IN\ SEPIC}$	2 x 10 $\mu$ F, 50-V ceramic + 33 $\mu$ F, 50-V electrolytic
C1	10- $\mu$ F 50-V ceramic
C2	30 pF
$C_{OUT}$	2 x 10 $\mu$ F, 50-V ceramic + 33 $\mu$ F, 50-V electrolytic
$C_{LDO}$	1 $\mu$ F, 10 V
$R_{ISET}$	24 k $\Omega$
$R_{FSET}$	24 k $\Omega$
R1	265 k $\Omega$
R2	37 k $\Omega$
R3	10 k $\Omega$

### 9.2.2.2 Detailed Design Procedure

In SEPIC mode the maximum voltage at the SW pin is equal to the sum of the input voltage and the output voltage. Because of this, the maximum sum of input and output voltage must be limited below 49 V. See the [Detailed Design Procedure](#) section for general external component guidelines. Main differences of SEPIC compared to boost are described below.

[Power Stage Designer™ Tool](#) can be used for modeling SEPIC behavior. For detailed explanation on SEPIC see Texas Instruments Analog Applications Journal [Designing DC/DC Converters Based on SEPIC Topology](#).

#### 9.2.2.2.1 Inductor

In SEPIC mode, currents flowing through the coupled inductors or the two separate inductors L1 and L2 are the input current and output current, respectively. Values can be calculated using [Power Stage Designer™ Tool](#) or using equations in [Designing DC/DC Converters Based on SEPIC Topology](#).

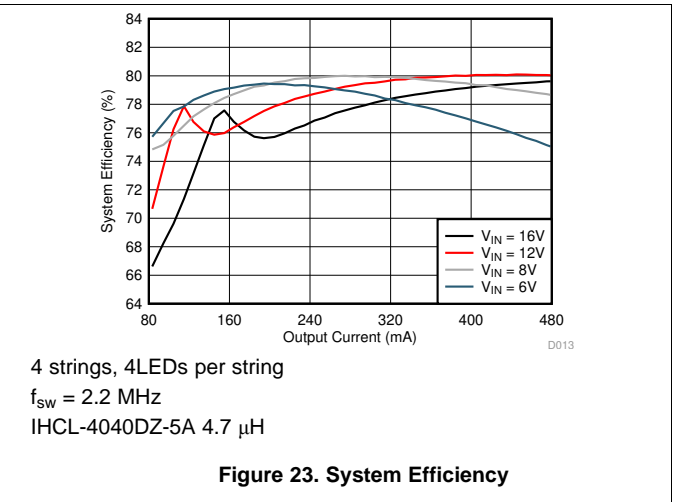
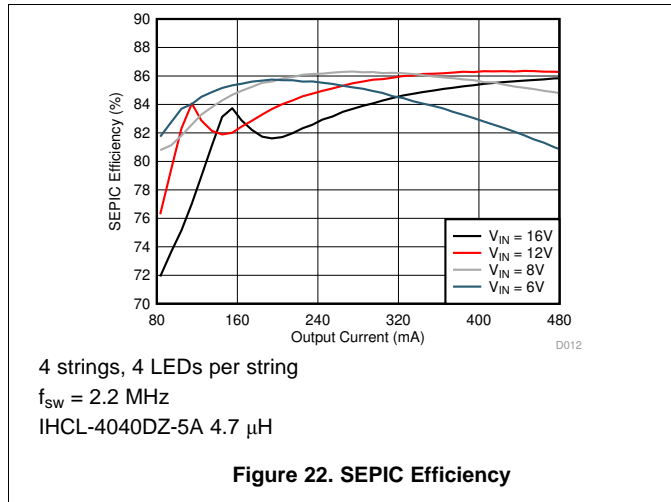
#### 9.2.2.2.2 Diode

In SEPIC mode diode peak current is equal to the sum of input and output currents. Diode rating for peak repetitive current should be greater than SW pin current limit (up to 4.1 A for transients) to ensure reliable operation in boost mode. Average current rating should be greater than the maximum output current. Diode voltage rating must be higher than sum of input and output voltages.

#### 9.2.2.2.3 Capacitor C1

TI recommends a ceramic capacitor with low ESR. Capacitor voltage rating must be higher than maximum input voltage.

### 9.2.2.3 Application Curves



## 10 Power Supply Recommendations

The device is designed to operate from an automotive battery. Device should be protected from reversal voltage and voltage dump over 50 V. The resistance of the input supply rail must be low enough so that the input current transient does not cause a high drop at LP886xC-Q1 VIN pin. If the input supply is connected by using long wires, additional bulk capacitance may be required in addition to the ceramic bypass capacitors in the VIN line.

## 11 Layout

### 11.1 Layout Guidelines

Figure 24 is a layout recommendation for LP886xV-Q1 used to demonstrate the principles of a good layout. This layout can be adapted to the actual application layout if or where possible. It is important that all boost components are close to the chip, and the high current traces must be wide enough. By placing boost components on one side of the chip it is easy to keep the ground plane intact below the high current paths. This way other chip pins can be routed more easily without splitting the ground plane. Bypass LDO capacitor must be placed as close as possible to the device.

Here are some main points to help the PCB layout work:

- Current loops need to be minimized:
  - For low frequency the minimal current loop can be achieved by placing the boost components as close as possible to the SW and PGND pins. Input and output capacitor grounds must be close to each other to minimize current loop size.
  - Minimal current loops for high frequencies can be achieved by making sure that the ground plane is intact under the current traces. High-frequency return currents find a route with minimum impedance, which is the route with minimum loop area, not necessarily the shortest path. Minimum loop area is formed when return current flows just under the **positive** current route in the ground plane, if the ground plane is intact under the route. To minimize the current loop for high frequencies:
    - Inductor's pin in SW node needs to be as near as possible to chip's SW pin
    - Put a small capacitor as near as possible to the diode's pin in boost output node and arrange vias to PGND plane close to the capacitor's GND pin.
- Use separate power and noise-free grounds. PGND is used for boost converter return current and noise-free ground is used for more sensitive signals, such as LDO bypass capacitor grounding as well as grounding the GND pin of the device.
- Boost output feedback voltage to LEDs must be taken out *after* the output capacitors, not straight from the diode cathode.
- Place LDO 1- $\mu$ F bypass capacitor as close as possible to the LDO pin.
- Input and output capacitors require strong grounding (wide traces, many vias to GND plane).

## 11.2 Layout Example

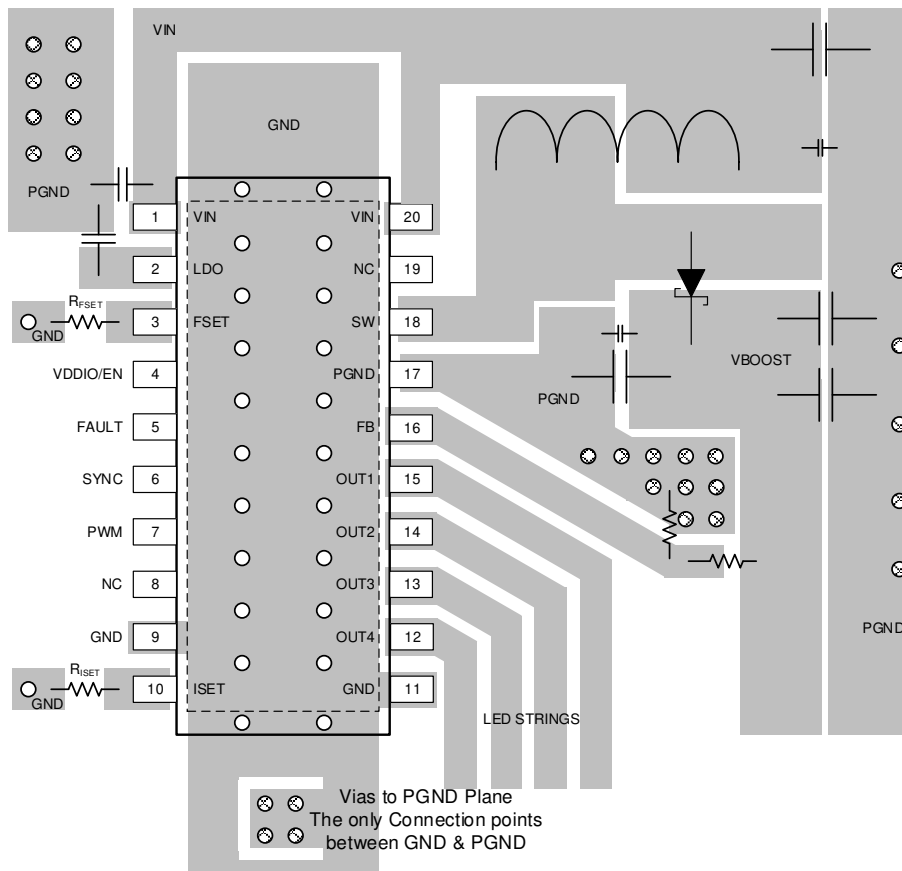


Figure 24. LP886xC-Q1 Boost Layout

## 12 Device and Documentation Support

### 12.1 Device Support

#### 12.1.1 Development Support

Power Stage Designer™ Tool can be used for both boost and SEPIC: <http://www.ti.com/tool/powerstage-designer>

### 12.2 Documentation Support

#### 12.2.1 Related Documentation

For related documentation see the following:

- [PowerPAD™ Thermally Enhanced Package](#)
- [Understanding Boost Power Stages in Switch Mode Power Supplies](#)
- [Designing DC-DC Converters Based on SEPIC Topology](#)

### 12.3 Receiving Notification of Documentation Updates

To receive notification of documentation updates, navigate to the device product folder on ti.com. In the upper right corner, click on *Alert me* to register and receive a weekly digest of any product information that has changed. For change details, review the revision history included in any revised document.

### 12.4 Community Resources

TI E2E™ support forums are an engineer's go-to source for fast, verified answers and design help — straight from the experts. Search existing answers or ask your own question to get the quick design help you need.

Linked content is provided "AS IS" by the respective contributors. They do not constitute TI specifications and do not necessarily reflect TI's views; see TI's [Terms of Use](#).

### 12.5 Trademarks

Power Stage Designer, E2E are trademarks of Texas Instruments. All other trademarks are the property of their respective owners.

### 12.6 Electrostatic Discharge Caution



These devices have limited built-in ESD protection. The leads should be shorted together or the device placed in conductive foam during storage or handling to prevent electrostatic damage to the MOS gates.

### 12.7 Glossary

[SLYZ022](#) — *TI Glossary*.

This glossary lists and explains terms, acronyms, and definitions.

## 13 Mechanical, Packaging, and Orderable Information

The following pages include mechanical, packaging, and orderable information. This information is the most current data available for the designated devices. This data is subject to change without notice and revision of this document. For browser-based versions of this data sheet, refer to the left-hand navigation.



**PACKAGING INFORMATION**

Orderable Device	Status (1)	Package Type	Package Drawing	Pins	Package Qty	Eco Plan (2)	Lead finish/ Ball material (6)	MSL Peak Temp (3)	Op Temp (°C)	Device Marking (4/5)	Samples
LP8867CQPWPRQ1	ACTIVE	HTSSOP	PWP	20	2000	RoHS & Green	NIPDAU	Level-2-260C-1 YEAR	-40 to 125	8867CQ	<a href="#">Samples</a>
LP8869CQPWPRQ1	ACTIVE	HTSSOP	PWP	20	2000	RoHS & Green	NIPDAU	Level-2-260C-1 YEAR	-40 to 125	8869CQ	<a href="#">Samples</a>

(1) The marketing status values are defined as follows:

**ACTIVE:** Product device recommended for new designs.

**LIFEBUY:** TI has announced that the device will be discontinued, and a lifetime-buy period is in effect.

**NRND:** Not recommended for new designs. Device is in production to support existing customers, but TI does not recommend using this part in a new design.

**PREVIEW:** Device has been announced but is not in production. Samples may or may not be available.

**OBSOLETE:** TI has discontinued the production of the device.

(2) **RoHS:** TI defines "RoHS" to mean semiconductor products that are compliant with the current EU RoHS requirements for all 10 RoHS substances, including the requirement that RoHS substance do not exceed 0.1% by weight in homogeneous materials. Where designed to be soldered at high temperatures, "RoHS" products are suitable for use in specified lead-free processes. TI may reference these types of products as "Pb-Free".

**RoHS Exempt:** TI defines "RoHS Exempt" to mean products that contain lead but are compliant with EU RoHS pursuant to a specific EU RoHS exemption.

**Green:** TI defines "Green" to mean the content of Chlorine (Cl) and Bromine (Br) based flame retardants meet JS709B low halogen requirements of <=1000ppm threshold. Antimony trioxide based flame retardants must also meet the <=1000ppm threshold requirement.

(3) MSL, Peak Temp. - The Moisture Sensitivity Level rating according to the JEDEC industry standard classifications, and peak solder temperature.

(4) There may be additional marking, which relates to the logo, the lot trace code information, or the environmental category on the device.

(5) Multiple Device Markings will be inside parentheses. Only one Device Marking contained in parentheses and separated by a "~" will appear on a device. If a line is indented then it is a continuation of the previous line and the two combined represent the entire Device Marking for that device.

(6) Lead finish/Ball material - Orderable Devices may have multiple material finish options. Finish options are separated by a vertical ruled line. Lead finish/Ball material values may wrap to two lines if the finish value exceeds the maximum column width.

**Important Information and Disclaimer:**The information provided on this page represents TI's knowledge and belief as of the date that it is provided. TI bases its knowledge and belief on information provided by third parties, and makes no representation or warranty as to the accuracy of such information. Efforts are underway to better integrate information from third parties. TI has taken and continues to take reasonable steps to provide representative and accurate information but may not have conducted destructive testing or chemical analysis on incoming materials and chemicals. TI and TI suppliers consider certain information to be proprietary, and thus CAS numbers and other limited information may not be available for release.

In no event shall TI's liability arising out of such information exceed the total purchase price of the TI part(s) at issue in this document sold by TI to Customer on an annual basis.



**TAPE AND REEL INFORMATION**

**QUADRANT ASSIGNMENTS FOR PIN 1 ORIENTATION IN TAPE**


\*All dimensions are nominal

Device	Package Type	Package Drawing	Pins	SPQ	Reel Diameter (mm)	Reel Width W1 (mm)	A0 (mm)	B0 (mm)	K0 (mm)	P1 (mm)	W (mm)	Pin1 Quadrant
LP8867CQPWRQ1	HTSSOP	PWP	20	2000	330.0	16.4	6.95	7.0	1.4	8.0	16.0	Q1
LP8867CQPWRQ1	HTSSOP	PWP	20	2000	330.0	16.4	6.95	7.1	1.6	8.0	16.0	Q1
LP8869CQPWRQ1	HTSSOP	PWP	20	2000	330.0	16.4	6.95	7.1	1.6	8.0	16.0	Q1
LP8869CQPWRQ1	HTSSOP	PWP	20	2000	330.0	16.4	6.95	7.0	1.4	8.0	16.0	Q1

**TAPE AND REEL BOX DIMENSIONS**


\*All dimensions are nominal

Device	Package Type	Package Drawing	Pins	SPQ	Length (mm)	Width (mm)	Height (mm)
LP8867CQPWPRQ1	HTSSOP	PWP	20	2000	356.0	356.0	35.0
LP8867CQPWPRQ1	HTSSOP	PWP	20	2000	350.0	350.0	43.0
LP8869CQPWPRQ1	HTSSOP	PWP	20	2000	350.0	350.0	43.0
LP8869CQPWPRQ1	HTSSOP	PWP	20	2000	356.0	356.0	35.0

# THERMAL PAD MECHANICAL DATA

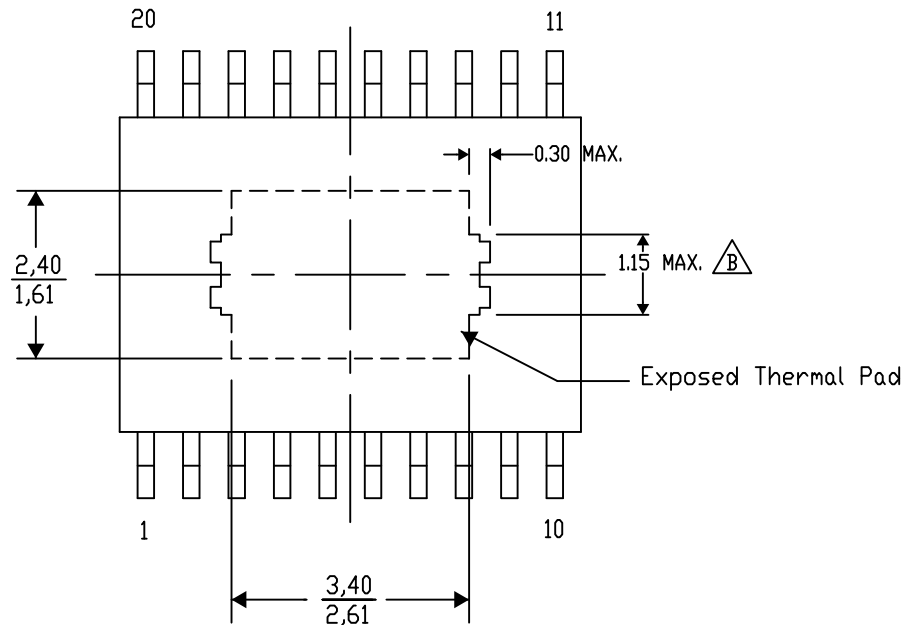
## PWP (R-PDSO-G20) PowerPAD™ SMALL PLASTIC OUTLINE

### THERMAL INFORMATION

This PowerPAD™ package incorporates an exposed thermal pad that is designed to be attached to a printed circuit board (PCB). The thermal pad must be soldered directly to the PCB. After soldering, the PCB can be used as a heatsink. In addition, through the use of thermal vias, the thermal pad can be attached directly to the appropriate copper plane shown in the electrical schematic for the device, or alternatively, can be attached to a special heatsink structure designed into the PCB. This design optimizes the heat transfer from the integrated circuit (IC).

For additional information on the PowerPAD package and how to take advantage of its heat dissipating abilities, refer to Technical Brief, PowerPAD Thermally Enhanced Package, Texas Instruments Literature No. SLMA002 and Application Brief, PowerPAD Made Easy, Texas Instruments Literature No. SLMA004. Both documents are available at [www.ti.com](http://www.ti.com).

The exposed thermal pad dimensions for this package are shown in the following illustration.



4206332-15/AO 01/16

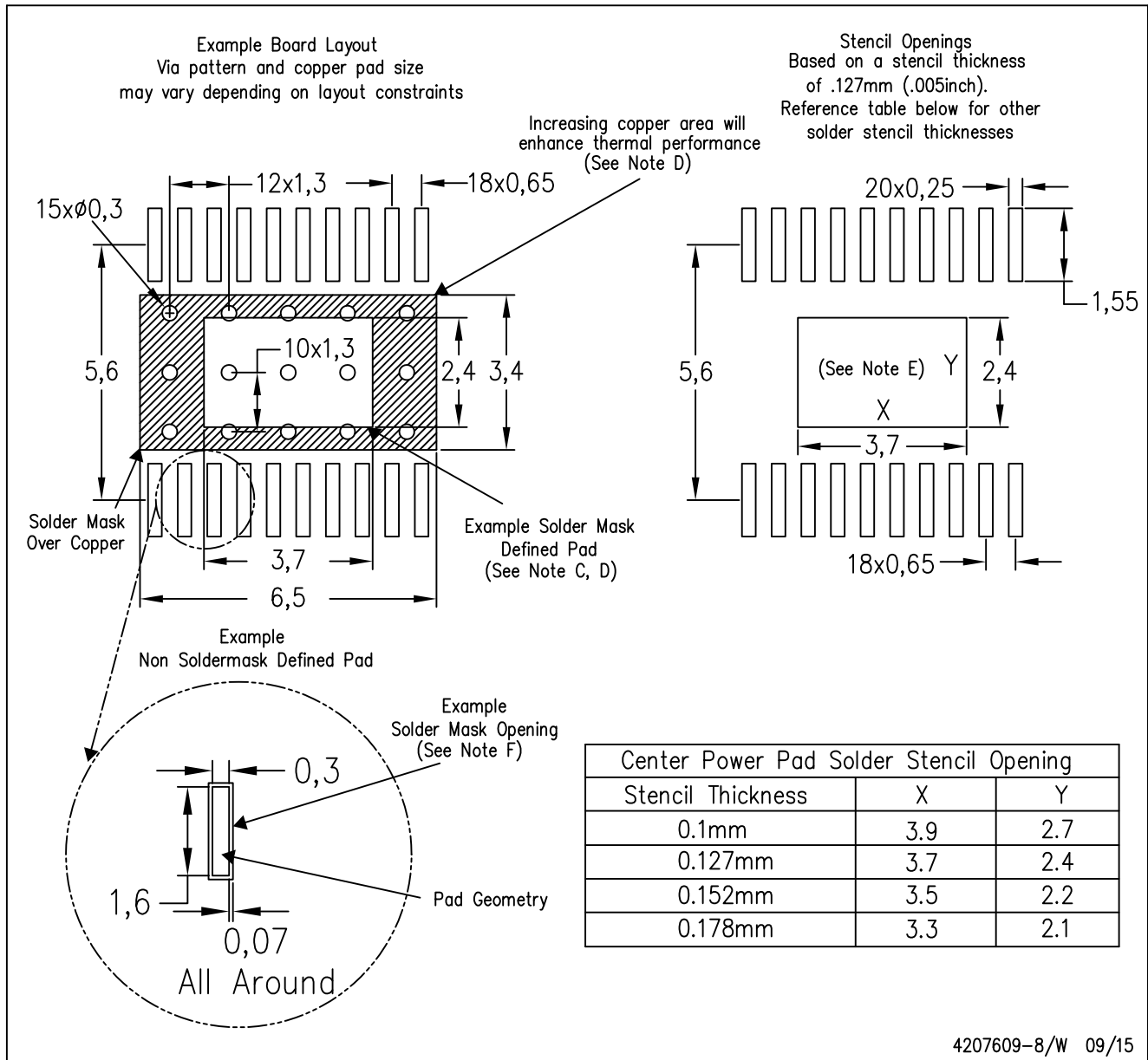
NOTE: A. All linear dimensions are in millimeters

 Exposed tie strap features may not be present.

PowerPAD is a trademark of Texas Instruments

PWP (R-PDSO-G20)

PowerPAD™ PLASTIC SMALL OUTLINE

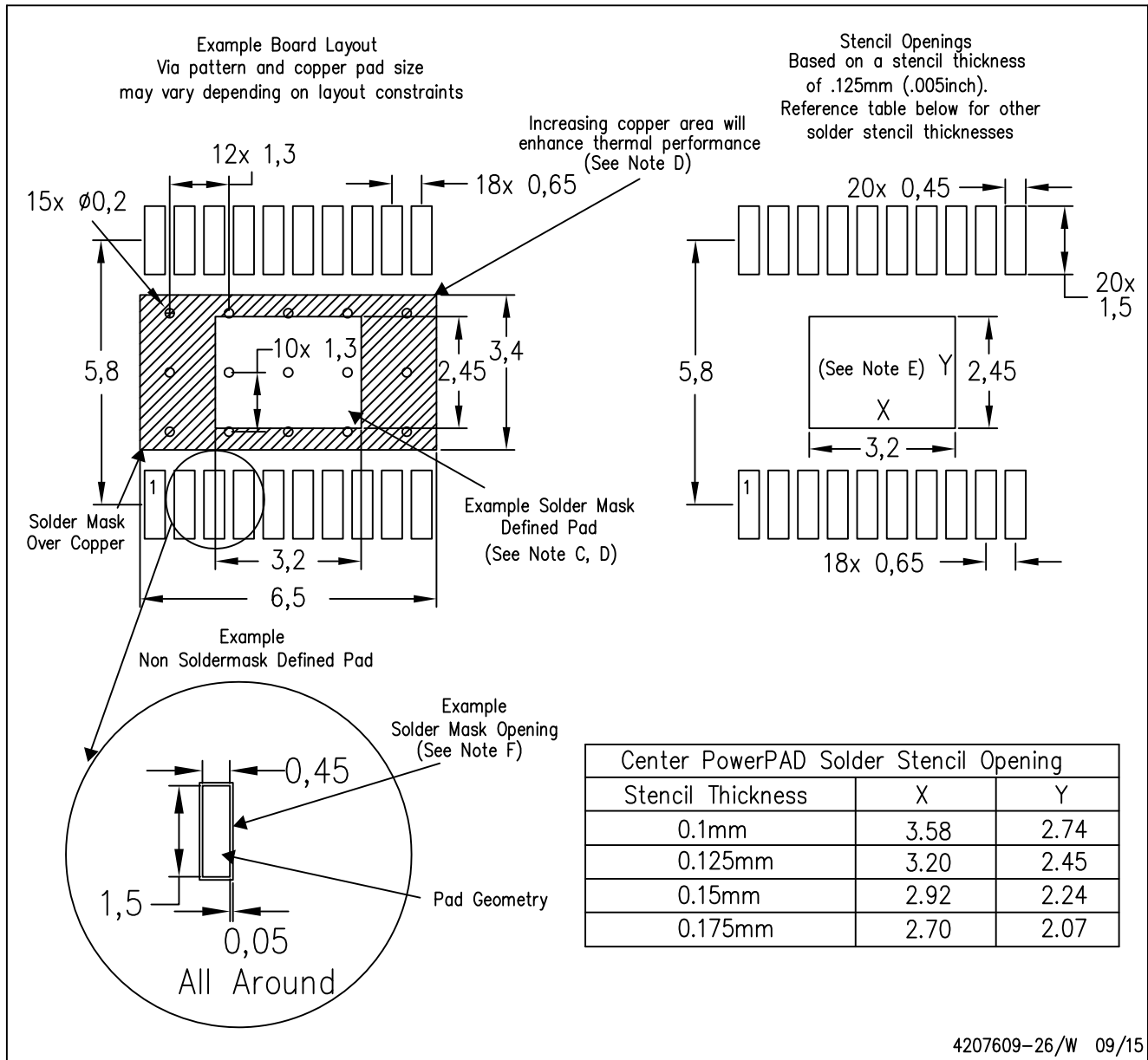


- NOTES:
- A. All linear dimensions are in millimeters.
  - B. This drawing is subject to change without notice.
  - C. Customers should place a note on the circuit board fabrication drawing not to alter the center solder mask defined pad.
  - D. This package is designed to be soldered to a thermal pad on the board. Refer to Technical Brief, PowerPad Thermally Enhanced Package, Texas Instruments Literature No. SLMA002, SLMA004, and also the Product Data Sheets for specific thermal information, via requirements, and recommended board layout. These documents are available at [www.ti.com](http://www.ti.com) <<http://www.ti.com>>. Publication IPC-7351 is recommended for alternate designs.
  - E. Laser cutting apertures with trapezoidal walls and also rounding corners will offer better paste release. Customers should contact their board assembly site for stencil design recommendations. Example stencil design based on a 50% volumetric metal load solder paste. Refer to IPC-7525 for other stencil recommendations.
  - F. Customers should contact their board fabrication site for solder mask tolerances between and around signal pads.



PWP (R-PDSO-G20)

PowerPAD™ PLASTIC SMALL OUTLINE



- NOTES:
- All linear dimensions are in millimeters.
  - This drawing is subject to change without notice.
  - Customers should place a note on the circuit board fabrication drawing not to alter the center solder mask defined pad.
  - This package is designed to be soldered to a thermal pad on the board. Refer to Technical Brief, PowerPad Thermally Enhanced Package, Texas Instruments Literature No. SLMA002, SLMA004, and also the Product Data Sheets for specific thermal information, via requirements, and recommended board layout. These documents are available at [www.ti.com](http://www.ti.com) <<http://www.ti.com>>. Publication IPC-7351 is recommended for alternate designs.
  - Laser cutting apertures with trapezoidal walls and also rounding corners will offer better paste release. Customers should contact their board assembly site for stencil design recommendations. Example stencil design based on a 50% volumetric metal load solder paste. Refer to IPC-7525 for other stencil recommendations.
  - Customers should contact their board fabrication site for solder mask tolerances between and around signal pads.



## IMPORTANT NOTICE AND DISCLAIMER

TI PROVIDES TECHNICAL AND RELIABILITY DATA (INCLUDING DATA SHEETS), DESIGN RESOURCES (INCLUDING REFERENCE DESIGNS), APPLICATION OR OTHER DESIGN ADVICE, WEB TOOLS, SAFETY INFORMATION, AND OTHER RESOURCES "AS IS" AND WITH ALL FAULTS, AND DISCLAIMS ALL WARRANTIES, EXPRESS AND IMPLIED, INCLUDING WITHOUT LIMITATION ANY IMPLIED WARRANTIES OF MERCHANTABILITY, FITNESS FOR A PARTICULAR PURPOSE OR NON-INFRINGEMENT OF THIRD PARTY INTELLECTUAL PROPERTY RIGHTS.

These resources are intended for skilled developers designing with TI products. You are solely responsible for (1) selecting the appropriate TI products for your application, (2) designing, validating and testing your application, and (3) ensuring your application meets applicable standards, and any other safety, security, regulatory or other requirements.

These resources are subject to change without notice. TI grants you permission to use these resources only for development of an application that uses the TI products described in the resource. Other reproduction and display of these resources is prohibited. No license is granted to any other TI intellectual property right or to any third party intellectual property right. TI disclaims responsibility for, and you will fully indemnify TI and its representatives against, any claims, damages, costs, losses, and liabilities arising out of your use of these resources.

TI's products are provided subject to [TI's Terms of Sale](#) or other applicable terms available either on [ti.com](https://www.ti.com) or provided in conjunction with such TI products. TI's provision of these resources does not expand or otherwise alter TI's applicable warranties or warranty disclaimers for TI products.

TI objects to and rejects any additional or different terms you may have proposed.

Mailing Address: Texas Instruments, Post Office Box 655303, Dallas, Texas 75265  
Copyright © 2023, Texas Instruments Incorporated