

## MSP430G2x44 Mixed-Signal Microcontrollers

### 1 Device Overview

#### 1.1 Features

- Low Supply-Voltage Range: 1.8 V to 3.6 V
- Ultra-Low Power Consumption
  - Active Mode: 270  $\mu$ A at 1 MHz, 2.2 V
  - Standby Mode: 1  $\mu$ A
  - Off Mode (RAM Retention): 0.1  $\mu$ A
- Ultra-Fast Wakeup From Standby Mode in Less Than 1  $\mu$ s
- 16-Bit RISC Architecture, 62.5-ns Instruction Cycle Time
- Basic Clock Module Configurations
  - Internal Frequencies up to 16 MHz With Four Calibrated Frequencies
  - Internal Very-Low-Power Low-Frequency (LF) Oscillator
  - 32-kHz Crystal
  - High-Frequency (HF) Crystal up to 16 MHz
  - Resonator
  - External Digital Clock Source
  - External Resistor
- 16-Bit Timer\_A With Three Capture/Compare Registers
- 16-Bit Timer\_B With Three Capture/Compare Registers
- Universal Serial Communication Interface (USCI)
  - Enhanced UART Supports Automatic Baud-Rate Detection (LIN)
  - IrDA Encoder and Decoder
  - Synchronous SPI
  - I<sup>2</sup>C
- 10-Bit 200-kbps Analog-to-Digital Converter (ADC) With Internal Reference, Sample-and-Hold, Autoscan, and Data Transfer Controller
- Brownout Detector
- Serial Onboard Programming, No External Programming Voltage Needed, Programmable Code Protection by Security Fuse
- Bootstrap Loader (BSL)
- On-Chip Emulation Module
- Family Members
  - MSP430G2444
    - 8KB + 256B Flash Memory
    - 512B RAM
  - MSP430G2544
    - 16KB + 256B Flash Memory
    - 512B RAM
  - MSP430G2744
    - 32KB + 256B Flash Memory
    - 1KB RAM
- [Section 3](#) Summarizes the Available Family Members
- Package Options
  - TSSOP: 38 Pin (DA)
  - QFN: 40 Pin (RHA)
  - DSBGA: 49 Pin (YFF)
  - PDIP: 40 Pin (N) Available in Sampling Quantities as [PMS430G2744IN40](#)
- For Complete Module Descriptions, See the *MSP430x2xx Family User's Guide* ([SLAU144](#))

#### 1.2 Applications

- Sensor Systems
- Radio-Frequency Sensor Front End

#### 1.3 Description

The Texas Instruments MSP430™ family of ultra-low-power microcontrollers consists of several devices featuring different sets of peripherals targeted for various applications. The architecture, combined with five low-power modes, is optimized to achieve extended battery life in portable measurement applications. The device features a powerful 16-bit RISC CPU, 16-bit registers, and constant generators that contribute to maximum code efficiency. The digitally controlled oscillator (DCO) allows the device to wake up from low-power modes to active mode in less than 1  $\mu$ s.

The MSP430G2x44 series is an ultra-low-power mixed-signal microcontroller with two built-in 16-bit timers, a universal serial communication interface (USCI), 10-bit analog-to-digital converter (ADC) with integrated reference and data transfer controller (DTC), and 32 I/O pins.



Typical applications include sensor systems that capture analog signals, convert them to digital values, and then process the data for display or for transmission to a host system. Stand-alone radio-frequency (RF) sensor front ends are another area of application.

Device Information<sup>(1)</sup>

PART NUMBER	PACKAGE	BODY SIZE <sup>(2)</sup>
MSP430G2744DA	TSSOP (38)	12.5 mm x 6.2 mm
MSP430G2744RHA	VQFN (40)	6 mm x 6 mm
MSP430G2744YFF	DSBGA (49)	3.1 mm x 3.1 mm
MSP430G2744N	PDIP (40)	52.46 mm x 13.71 mm

(1) For the most current part, package, and ordering information for all available devices, see the *Package Option Addendum* in Section 8, or see the TI web site at [www.ti.com](http://www.ti.com).

(2) The sizes shown here are approximations. For the package dimensions with tolerances, see the *Mechanical Data* in Section 8.

1.4 Functional Block Diagram

Figure 1-1 shows the functional block diagram of the MSP430G2x44 devices.

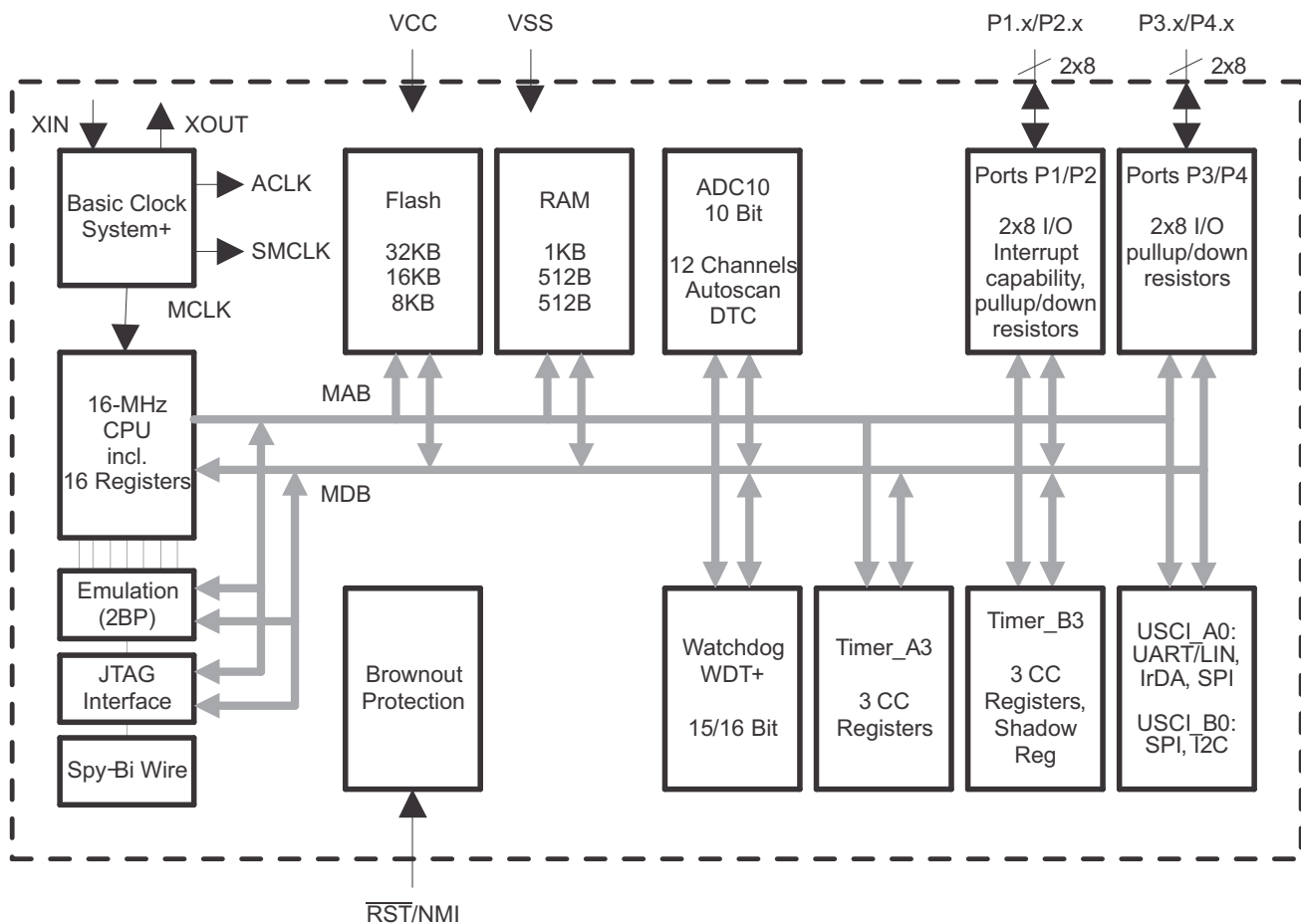


Figure 1-1. Functional Block Diagram

## Table of Contents

<b>1</b>	<b>Device Overview</b> .....	<b>1</b>	5.27	USCI (SPI Slave Mode) .....	<b>30</b>
1.1	Features .....	1	5.28	USCI (I <sup>2</sup> C Mode) .....	<b>31</b>
1.2	Applications .....	1	5.29	10-Bit ADC, Power Supply and Input Range Conditions .....	<b>32</b>
1.3	Description .....	1	5.30	10-Bit ADC, Built-In Voltage Reference .....	<b>33</b>
1.4	Functional Block Diagram .....	2	5.31	10-Bit ADC, External Reference .....	<b>34</b>
<b>2</b>	<b>Revision History</b> .....	<b>4</b>	5.32	10-Bit ADC, Timing Parameters .....	<b>34</b>
<b>3</b>	<b>Device Comparison</b> .....	<b>5</b>	5.33	10-Bit ADC, Linearity Parameters .....	<b>35</b>
<b>4</b>	<b>Terminal Configuration and Functions</b> .....	<b>6</b>	5.34	10-Bit ADC, Temperature Sensor and Built-In V <sub>MID</sub> .....	<b>35</b>
4.1	Pin Diagrams .....	6	5.35	Flash Memory .....	<b>36</b>
4.2	Signal Descriptions .....	10	5.36	RAM .....	<b>36</b>
<b>5</b>	<b>Specifications</b> .....	<b>13</b>	5.37	JTAG and Spy-Bi-Wire Interface .....	<b>37</b>
5.1	Absolute Maximum Ratings .....	13	5.38	JTAG Fuse .....	<b>37</b>
5.2	Handling Ratings .....	13	<b>6</b>	<b>Detailed Description</b> .....	<b>38</b>
5.3	Recommended Operating Conditions .....	13	6.1	CPU .....	<b>38</b>
5.4	Active Mode Supply Current (Into DV <sub>CC</sub> + AV <sub>CC</sub> ) Excluding External Current .....	15	6.2	Instruction Set .....	<b>39</b>
5.5	Typical Characteristics - Active-Mode Supply Current (Into DV <sub>CC</sub> + AV <sub>CC</sub> ) .....	15	6.3	Operating Modes .....	<b>40</b>
5.6	Low-Power-Mode Supply Currents (Into V <sub>CC</sub> ) Excluding External Current .....	16	6.4	Interrupt Vector Addresses .....	<b>41</b>
5.7	Schmitt-Trigger Inputs (Ports P1, P2, P3, P4, and RST/NMI) .....	17	6.5	Special Function Registers .....	<b>42</b>
5.8	Leakage Current, Ports Px .....	17	6.6	Memory Organization .....	<b>43</b>
5.9	Outputs, Ports Px .....	17	6.7	Bootstrap Loader (BSL) .....	<b>43</b>
5.10	Output Frequency, Ports Px .....	17	6.8	Flash Memory .....	<b>43</b>
5.11	Typical Characteristics - Outputs .....	18	6.9	Peripherals .....	<b>44</b>
5.12	POR and BOR .....	19	6.10	Oscillator and System Clock .....	<b>44</b>
5.13	Typical Characteristics - POR and BOR .....	20	6.11	Brownout .....	<b>44</b>
5.14	DCO Frequency .....	21	6.12	Digital I/O .....	<b>44</b>
5.15	Calibrated DCO Frequencies, Tolerance .....	22	6.13	Watchdog Timer (WDT+) .....	<b>44</b>
5.16	Wake-Up From Lower-Power Modes (LPM3, LPM4) .....	23	6.14	Timer_A3 .....	<b>45</b>
5.17	Typical Characteristics - DCO Clock Wake-Up Time From LPM3 or LPM4 .....	23	6.15	Timer_B3 .....	<b>46</b>
5.18	DCO With External Resistor R <sub>OSC</sub> .....	24	6.16	Universal Serial Communications Interface (USCI) .....	<b>46</b>
5.19	Typical Characteristics - DCO With External Resistor R <sub>OSC</sub> .....	24	6.17	ADC10 .....	<b>46</b>
5.20	Crystal Oscillator LFXT1, Low-Frequency Mode ...	25	6.18	Peripheral File Map .....	<b>47</b>
5.21	Internal Very-Low-Power Low-Frequency Oscillator (VLO) .....	25	6.19	Port Schematics .....	<b>50</b>
5.22	Crystal Oscillator LFXT1, High-Frequency Mode ...	26	<b>7</b>	<b>Device and Documentation Support</b> .....	<b>69</b>
5.23	Typical Characteristics - LFXT1 Oscillator in HF Mode (XTS = 1) .....	27	7.1	Device Support .....	<b>69</b>
5.24	Timer_A, Timer_B .....	28	7.2	Documentation Support .....	<b>72</b>
5.25	USCI (UART Mode) .....	28	7.3	Related Links .....	<b>72</b>
5.26	USCI (SPI Master Mode) .....	29	7.4	Community Resources .....	<b>72</b>
			7.5	Trademarks .....	<b>72</b>
			7.6	Electrostatic Discharge Caution .....	<b>72</b>
			7.7	Glossary .....	<b>72</b>
			<b>8</b>	<b>Mechanical, Packaging, and Orderable Information</b> .....	<b>73</b>

## 2 Revision History

NOTE: Page numbers for previous revisions may differ from page numbers in the current version.

Changes from Revision B (March 2013) to Revision C	Page
• Document formatting changes throughout, including addition of section numbering .....	<a href="#">1</a>
• Added Device Information table .....	<a href="#">2</a>
• Added <a href="#">Section 3</a> ; moved and renamed <a href="#">Table 3-1</a> .....	<a href="#">5</a>
• Corrected size of RAM for MSP430G2744 in <a href="#">Table 3-1</a> .....	<a href="#">5</a>
• Added <a href="#">Section 5</a> and moved all electrical specifications to it .....	<a href="#">13</a>
• Added <a href="#">Section 5.2</a> and moved $T_{sig}$ to it .....	<a href="#">13</a>
• Added <a href="#">Section 7</a> and moved Tools Support, Device Nomenclature, ESD Caution, and Trademarks sections to it ...	<a href="#">69</a>
• Added <a href="#">Section 8</a> .....	<a href="#">73</a>

### 3 Device Comparison

Table 3-1 summarizes the available family members.

**Table 3-1. Device Comparison<sup>(1)(2)</sup>**

Device	BSL	EEM	Flash (KB)	RAM (B)	Timer_A	Timer_B	ADC10 Channel	USCI_A0, USCI_B0	Clock	I/O	Package Type
MSP430G2744IRHA40	1	1	32	1K	TA3	TB3	12	1	HF, LF, DCO, VLO	32	40-QFN
32										38-TSSOP	
32										49-DSBGA	
MSP430G2544IRHA40	1	1	16	512	TA3	TB3	12	1	HF, LF, DCO, VLO	32	40-QFN
32										38-TSSOP	
32										49-DSBGA	
MSP430G2444IRHA40	1	1	8	512	TA3	TB3	12	1	HF, LF, DCO, VLO	32	40-QFN
32										38-TSSOP	
32										49-DSBGA	

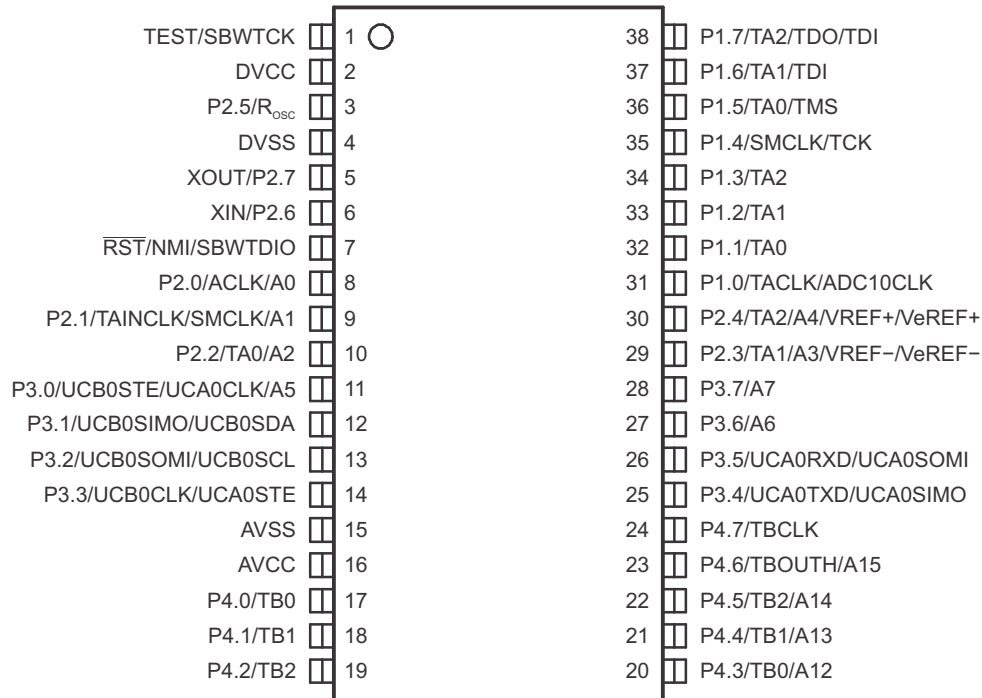
(1) For the most current package and ordering information, see the *Package Option Addendum* in [Section 8](#), or see the TI web site at [www.ti.com](http://www.ti.com).

(2) Package drawings, thermal data, and symbolization are available at [www.ti.com/packaging](http://www.ti.com/packaging).

## 4 Terminal Configuration and Functions

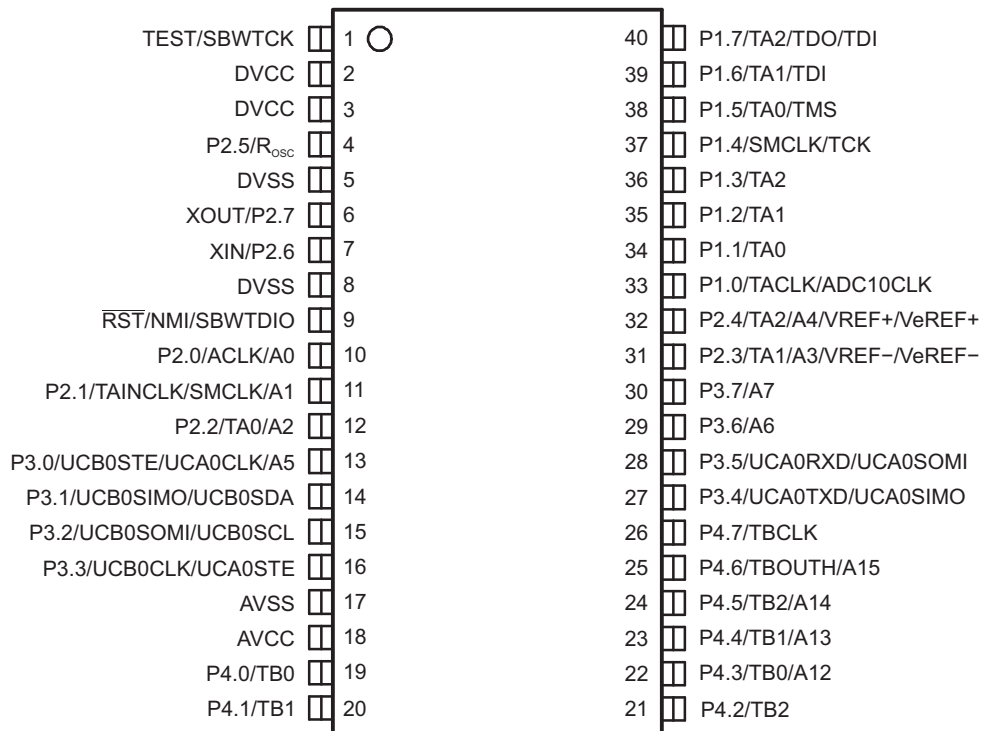
### 4.1 Pin Diagrams

Figure 4-1 shows the pin diagram for the 38-pin DA package.



**Figure 4-1. 38-Pin TSSOP (DA Package) (Top View)**

Figure 4-2 shows the pin diagram for the 40-pin N package.



**Figure 4-2. 40-Pin PDIP (N Package) (Top View)**

Figure 4-3 shows the pin diagram for the 40-pin RHA package.

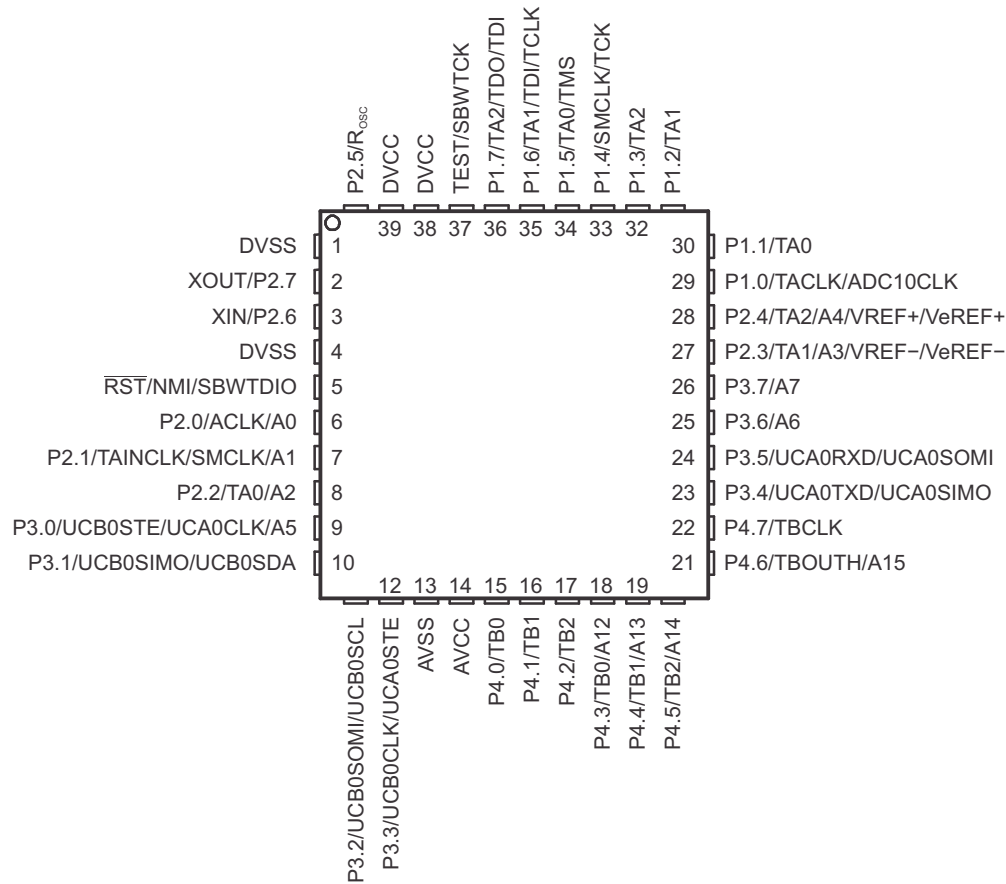


Figure 4-3. 40-Pin QFN (RHA Package) (Top View)



Figure 4-4 shows the pin diagram for the 49-pin YFF package.

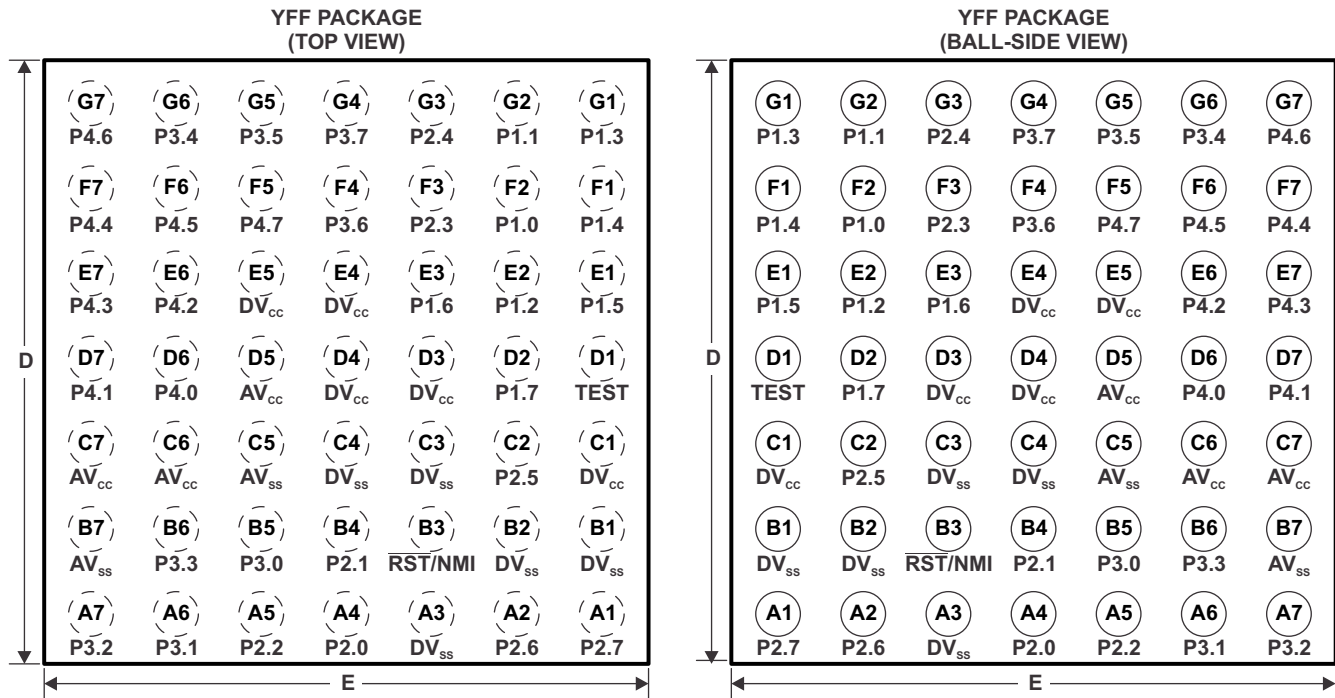


Figure 4-4. 49-Pin DSBGA (YFF Package)

## 4.2 Signal Descriptions

Table 4-1 describes the signals for all device variants and package options.

**Table 4-1. Terminal Functions**

NAME	TERMINAL NO.				I/O	DESCRIPTION
	YFF	DA	N	RHA		
P1.0/TACLK/ADC10CLK	F2	31	33	29	I/O	General-purpose digital I/O pin Timer_A, clock signal TACLK input ADC10, conversion clock
P1.1/TA0	G2	32	34	30	I/O	General-purpose digital I/O pin Timer_A, capture: CCI0A input, compare: OUT0 output; BSL transmit
P1.2/TA1	E2	33	35	31	I/O	General-purpose digital I/O pin Timer_A, capture: CCI1A input, compare: OUT1 output
P1.3/TA2	G1	34	36	32	I/O	General-purpose digital I/O pin Timer_A, capture: CCI2A input, compare: OUT2 output
P1.4/SMCLK/TCK	F1	35	37	33	I/O	General-purpose digital I/O pin SMCLK signal output Test Clock input for device programming and test
P1.5/TA0/TMS	E1	36	38	34	I/O	General-purpose digital I/O pin Timer_A, compare: OUT0 output Test Mode Select input for device programming and test
P1.6/TA1/TDI/TCLK	E3	37	39	35	I/O	General-purpose digital I/O pin Timer_A, compare: OUT1 output Test Data Input or Test Clock Input for programming and test
P1.7/TA2/TDO/TDI <sup>(1)</sup>	D2	38	40	36	I/O	General-purpose digital I/O pin Timer_A, compare: OUT2 output Test Data Output or Test Data Input for programming and test
P2.0/ACLK/A0	A4	8	10	6	I/O	General-purpose digital I/O pin ACLK output ADC10, analog input A0
P2.1/TAINCLK/ SMCLK/A1	B4	9	11	7	I/O	General-purpose digital I/O pin Timer_A, clock signal at INCLK, SMCLK signal output ADC10, analog input A1
P2.2/TA0/A2	A5	10	12	8	I/O	General-purpose digital I/O pin Timer_A, capture: CCI0B input; BSL receive, compare: OUT0 output ADC10, analog input A2
P2.3/TA1/A3/ $V_{REF-}/V_{eREF-}$	F3	29	31	27	I/O	General-purpose digital I/O pin Timer_A, capture CCI1B input, compare: OUT1 output ADC10, analog input A3 Negative reference voltage output/input
P2.4/TA2/A4/ $V_{REF+}/V_{eREF+}$	G3	30	32	28	I/O	General-purpose digital I/O pin Timer_A, compare: OUT2 output ADC10, analog input A4 Positive reference voltage output/input
P2.5/R <sub>OSC</sub>	C2	3	4	40	I/O	General-purpose digital I/O pin Input for external DCO resistor to define DCO frequency

(1) TDO or TDI is selected via JTAG instruction.

**Table 4-1. Terminal Functions (continued)**

TERMINAL					I/O	DESCRIPTION
NAME	NO.					
	YFF	DA	N	RHA		
XIN/P2.6	A2	6	7	3	I/O	Input terminal of crystal oscillator General-purpose digital I/O pin
XOUT/P2.7	A1	5	6	2	I/O	Output terminal of crystal oscillator General-purpose digital I/O pin <sup>(2)</sup>
P3.0/UCB0STE/ UCA0CLK/A5	B5	11	13	9	I/O	General-purpose digital I/O pin USCI_B0 slave transmit enable USCI_A0 clock input/output ADC10, analog input A5
P3.1/UCB0SIMO/ UCB0SDA	A6	12	14	10	I/O	General-purpose digital I/O pin USCI_B0 slave in, master out in SPI mode USCI_B0 SDA I2C data in I2C mode
P3.2/UCB0SOMI/ UCB0SCL	A7	13	15	11	I/O	General-purpose digital I/O pin USCI_B0 slave out, master in SPI mode USCI_B0 SCL I2C clock in I2C mode
P3.3/UCB0CLK/ UCA0STE	B6	14	16	12	I/O	General-purpose digital I/O pin USCI_B0 clock input/output USCI_A0 slave transmit enable
P3.4/UCA0TXD/ UCA0SIMO	G6	25	27	23	I/O	General-purpose digital I/O pin USCI_A0 transmit data output in UART mode USCI_A0 slave in, master out in SPI mode
P3.5/UCA0RXD/ UCA0SOMI	G5	26	28	24	I/O	General-purpose digital I/O pin USCI_A0 receive data input in UART mode USCI_A0 slave out, master in SPI mode
P3.6/A6	F4	27	29	25	I/O	General-purpose digital I/O pin ADC10 analog input A6
P3.7/A7	G4	28	30	26	I/O	General-purpose digital I/O pin ADC10 analog input A7
P4.0/TB0	D6	17	19	15	I/O	General-purpose digital I/O pin Timer_B, capture: CCI0A input, compare: OUT0 output
P4.1/TB1	D7	18	20	16	I/O	General-purpose digital I/O pin Timer_B, capture: CCI1A input, compare: OUT1 output
P4.2/TB2	E6	19	21	17	I/O	General-purpose digital I/O pin Timer_B, capture: CCI2A input, compare: OUT2 output
P4.3/TB0/A12	E7	20	22	18	I/O	General-purpose digital I/O pin Timer_B, capture: CCI0B input, compare: OUT0 output ADC10 analog input A12
P4.4/TB1/A13	F7	21	23	19	I/O	General-purpose digital I/O pin Timer_B, capture: CCI1B input, compare: OUT1 output ADC10 analog input A13
P4.5/TB2/A14	F6	22	24	20	I/O	General-purpose digital I/O pin Timer_B, compare: OUT2 output ADC10 analog input A14

(2) If XOUT/P2.7 is used as an input, excess current flows until P2SEL.7 is cleared. This is due to the oscillator output driver connection to this pad after reset.

**Table 4-1. Terminal Functions (continued)**

TERMINAL					I/O	DESCRIPTION
NAME	NO.					
	YFF	DA	N	RHA		
P4.6/TBOUTH/A15	G7	23	25	21	I/O	General-purpose digital I/O pin Timer_B, switch all TB0 to TB3 outputs to high impedance ADC10 analog input A15
P4.7/TBCLK	F5	24	26	22	I/O	General-purpose digital I/O pin Timer_B, clock signal TBCLK input
$\overline{\text{RST}}/\text{NMI}/\text{SBWTDIO}$	B3	7	9	5	I	Reset or nonmaskable interrupt input Spy-Bi-Wire test data input/output during programming and test
TEST/SBWTK	D1	1	1	37	I	Selects test mode for JTAG pins on Port 1. The device protection fuse is connected to TEST. Spy-Bi-Wire test clock input during programming and test
DV <sub>CC</sub>	C1, D3, D4, E4, E5	2	2, 3	38, 39		Digital supply voltage
AV <sub>CC</sub>	C6, C7, D5	16	18	14		Analog supply voltage
DV <sub>SS</sub>	A3, B1, B2, C3, C4	4	5, 8	1, 4		Digital ground reference
AV <sub>SS</sub>	B7, C5	15	17	13		Analog ground reference
QFN Pad	NA	NA	NA	Pad	NA	QFN package pad; connection to DV <sub>SS</sub> recommended.

## 5 Specifications

### 5.1 Absolute Maximum Ratings<sup>(1)(2)</sup>

	MIN	MAX	UNIT
Voltage applied at $V_{CC}$	-0.3	4.1	V
Voltage applied to any pin <sup>(3)</sup>	-0.3	$V_{CC} + 0.3$	V
Diode current at any device terminal		$\pm 2$	mA

- (1) Stresses beyond those listed under *Absolute Maximum Ratings* may cause permanent damage to the device. These are stress ratings only, and functional operation of the device at these or any other conditions beyond those indicated under *Recommended Operating Conditions* is not implied. Exposure to absolute-maximum-rated conditions for extended periods may affect device reliability.
- (2) All voltages referenced to  $V_{SS}$ .
- (3) The JTAG fuse-blow voltage,  $V_{FB}$ , is allowed to exceed the absolute maximum rating. The voltage is applied to the TEST pin when blowing the JTAG fuse.

### 5.2 Handling Ratings

	MIN	MAX	UNIT
$T_{stg}$			
Storage temperature (programmed or unprogrammed device) <sup>(1)</sup>	-55	150	°C

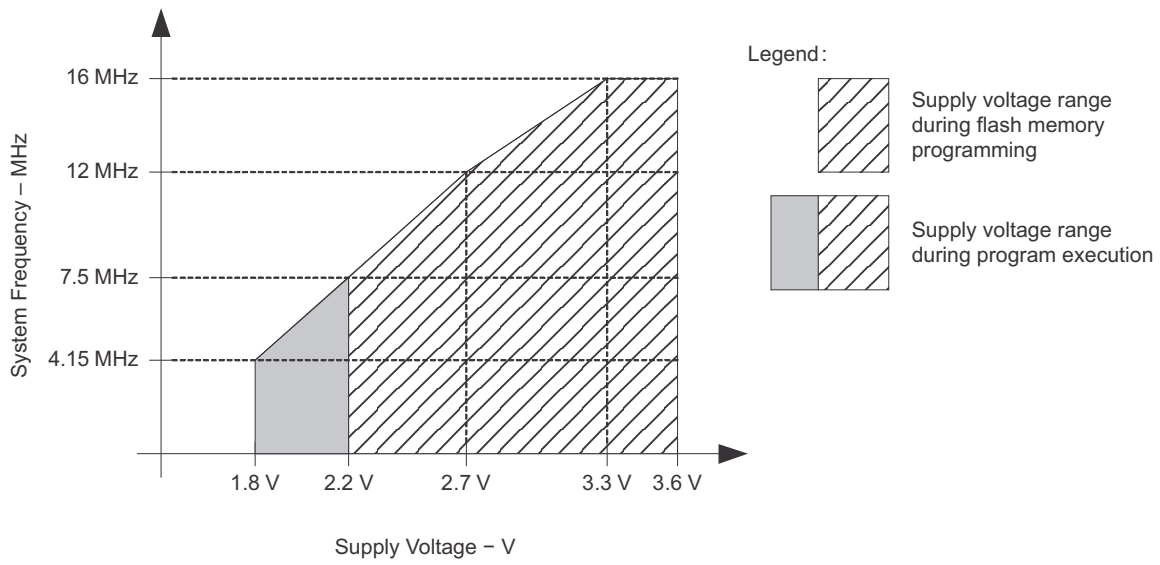
- (1) Higher temperature may be applied during board soldering process according to the current JEDEC J-STD-020 specification with peak reflow temperatures not higher than classified on the device label on the shipping boxes or reels.

### 5.3 Recommended Operating Conditions<sup>(1)(2)</sup>

Typical values are specified at  $V_{CC} = 3.3$  V and  $T_A = 25^\circ\text{C}$  (unless otherwise noted)

			MIN	NOM	MAX	UNIT	
$V_{CC}$	Supply voltage	$AV_{CC} = DV_{CC} = V_{CC}$	During program execution		1.8	3.6	V
			During program and erase of flash memory		2.2	3.6	V
$V_{SS}$	Supply voltage	$AV_{SS} = DV_{SS} = V_{SS}$		0		V	
$T_A$	Operating free-air temperature		-40		85	°C	
$f_{SYSTEM}$	Processor frequency (maximum MCLK frequency) <sup>(1)(2)</sup> (see <a href="#">Figure 5-1</a> )	$V_{CC} = 1.8$ V, Duty cycle = 50% $\pm$ 10%	dc		4.15	MHz	
		$V_{CC} = 2.7$ V, Duty cycle = 50% $\pm$ 10%	dc		12		
		$V_{CC} \geq 3.3$ V, Duty cycle = 50% $\pm$ 10%	dc		16		

- (1) The MSP430 CPU is clocked directly with MCLK. Both the high and low phase of MCLK must not exceed the pulse width of the specified maximum frequency.
- (2) Modules might have a different maximum input clock specification. See the specification of the respective module in this data sheet.



NOTE: Minimum processor frequency is defined by system clock. Flash program or erase operations require a minimum  $V_{CC}$  of 2.2 V.

**Figure 5-1. Operating Area**

### 5.4 Active Mode Supply Current (Into DV<sub>CC</sub> + AV<sub>CC</sub>) Excluding External Current<sup>(1)(2)</sup>

over recommended ranges of supply voltage and operating free-air temperature (unless otherwise noted)

PARAMETER	TEST CONDITIONS	T <sub>A</sub>	V <sub>CC</sub>	MIN	TYP	MAX	UNIT
I <sub>AM,1MHz</sub> Active mode (AM) current (1 MHz)	f <sub>DCO</sub> = f <sub>MCLK</sub> = f <sub>SMCLK</sub> = 1 MHz, f <sub>ACLK</sub> = 32768 Hz, Program executes in flash, BCSCTL1 = CALBC1_1MHZ, DCOCTL = CALDCO_1MHZ, CPUOFF = 0, SCG0 = 0, SCG1 = 0, OSCOFF = 0		2.2 V	270			μA
			3 V	390	550		

- (1) All inputs are tied to 0 V or V<sub>CC</sub>. Outputs do not source or sink any current.
- (2) The currents are characterized with a Micro Crystal CC4V-T1A SMD crystal with a load capacitance of 9 pF. The internal and external load capacitance is chosen to closely match the required 9 pF.

### 5.5 Typical Characteristics - Active-Mode Supply Current (Into DV<sub>CC</sub> + AV<sub>CC</sub>)

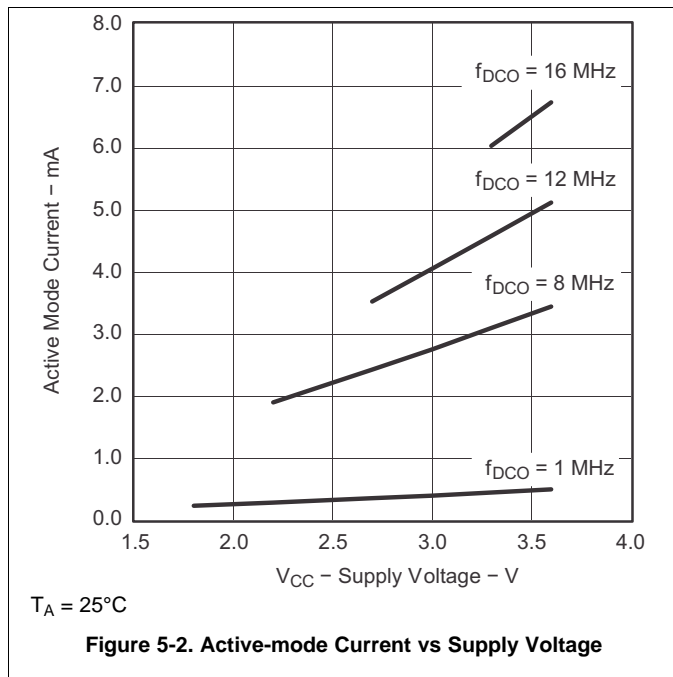


Figure 5-2. Active-mode Current vs Supply Voltage

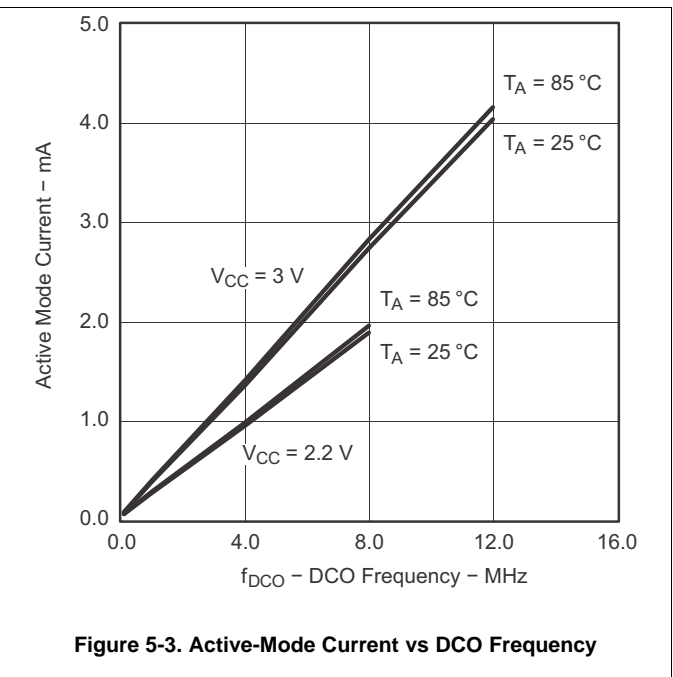


Figure 5-3. Active-Mode Current vs DCO Frequency

## 5.6 Low-Power-Mode Supply Currents (Into $V_{CC}$ ) Excluding External Current<sup>(1)(2)</sup>

over recommended ranges of supply voltage and operating free-air temperature (unless otherwise noted)

PARAMETER		TEST CONDITIONS	$T_A$	$V_{CC}$	MIN	TYP	MAX	UNIT
$I_{LPM0,1MHz}$	Low-power mode 0 (LPM0) current <sup>(3)</sup>	$f_{MCLK} = 0$ MHz, $f_{SMCLK} = f_{DCO} = 1$ MHz, $f_{ACLK} = 32768$ Hz, BCSCTL1 = CALBC1_1MHZ, DCOCTL = CALDCO_1MHZ, CPUOFF = 1, SCG0 = 0, SCG1 = 0, OSCOFF = 0	25°C	2.2 V		75	90	$\mu$ A
$I_{LPM2}$	Low-power mode 2 (LPM2) current <sup>(4)</sup>	$f_{MCLK} = f_{SMCLK} = 0$ MHz, $f_{DCO} = 1$ MHz, $f_{ACLK} = 32768$ Hz, BCSCTL1 = CALBC1_1MHZ, DCOCTL = CALDCO_1MHZ, CPUOFF = 1, SCG0 = 0, SCG1 = 1, OSCOFF = 0	25°C	2.2 V		22		$\mu$ A
$I_{LPM3,LFXT1}$	Low-power mode 3 (LPM3) current <sup>(4)</sup>	$f_{DCO} = f_{MCLK} = f_{SMCLK} = 0$ MHz, $f_{ACLK} = 32768$ Hz, CPUOFF = 1, SCG0 = 1, SCG1 = 1, OSCOFF = 0	25°C	2.2 V		1	2	$\mu$ A
$I_{LPM3,VLO}$	Low-power mode 3 current, (LPM3) <sup>(4)</sup>	$f_{DCO} = f_{MCLK} = f_{SMCLK} = 0$ MHz, $f_{ACLK}$ from internal LF oscillator (VLO), CPUOFF = 1, SCG0 = 1, SCG1 = 1, OSCOFF = 0	25°C	2.2 V		0.5	1	$\mu$ A
$I_{LPM4}$	Low-power mode 4 (LPM4) current <sup>(5)</sup>	$f_{DCO} = f_{MCLK} = f_{SMCLK} = 0$ MHz, $f_{ACLK} = 0$ Hz, CPUOFF = 1, SCG0 = 1, SCG1 = 1, OSCOFF = 1	25°C	2.2 V		0.1	0.5	$\mu$ A
			85°C			1.5	3	

(1) All inputs are tied to 0 V or  $V_{CC}$ . Outputs do not source or sink any current.

(2) The currents are characterized with a Micro Crystal CC4V-T1A SMD crystal with a load capacitance of 9 pF. The internal and external load capacitance is chosen to closely match the required 9 pF.

(3) Current for brownout and WDT clocked by SMCLK included.

(4) Current for brownout and WDT clocked by ACLK included.

(5) Current for brownout included.



## 5.7 Schmitt-Trigger Inputs (Ports P1, P2, P3, P4, and $\overline{\text{RST/NMI}}$ )

over recommended ranges of supply voltage and operating free-air temperature (unless otherwise noted)

PARAMETER		TEST CONDITIONS	$V_{CC}$	MIN	TYP	MAX	UNIT
$V_{IT+}$	Positive-going input threshold voltage			0.45 $V_{CC}$		0.75 $V_{CC}$	V
			3 V	1.35		2.25	
$V_{IT-}$	Negative-going input threshold voltage			0.25 $V_{CC}$		0.55 $V_{CC}$	V
			3 V	0.75		1.65	
$V_{hys}$	Input voltage hysteresis ( $V_{IT+} - V_{IT-}$ )		3 V	0.3		1	V
$R_{Pull}$	Pullup or pulldown resistor	For pullup: $V_{IN} = V_{SS}$ , For pulldown: $V_{IN} = V_{CC}$	3 V	20	35	50	k $\Omega$
$C_I$	Input capacitance	$V_{IN} = V_{SS}$ or $V_{CC}$			5		pF

## 5.8 Leakage Current, Ports Px

over recommended ranges of supply voltage and operating free-air temperature (unless otherwise noted)

PARAMETER		TEST CONDITIONS	$V_{CC}$	MIN	TYP	MAX	UNIT
$I_{lkg(Px.y)}$	High-impedance leakage current	(1) (2)	3 V			$\pm 50$	nA

- (1) The leakage current is measured with  $V_{SS}$  or  $V_{CC}$  applied to the corresponding pin(s), unless otherwise noted.  
 (2) The leakage of the digital port pins is measured individually. The port pin is selected for input and the pullup or pulldown resistor is disabled.

## 5.9 Outputs, Ports Px

over recommended ranges of supply voltage and operating free-air temperature (unless otherwise noted)

PARAMETER		TEST CONDITIONS	$V_{CC}$	MIN	TYP	MAX	UNIT
$V_{OH}$	High-level output voltage	$I_{OH(max)} = -6$ mA <sup>(1)</sup>	3 V	$V_{CC} - 0.3$			V
$V_{OL}$	Low-level output voltage	$I_{OL(max)} = 6$ mA <sup>(1)</sup>	3 V	$V_{SS} + 0.3$			V

- (1) The maximum total current,  $I_{OH(max)}$  and  $I_{OL(max)}$ , for all outputs combined, should not exceed  $\pm 48$  mA to hold the maximum voltage drop specified.

## 5.10 Output Frequency, Ports Px

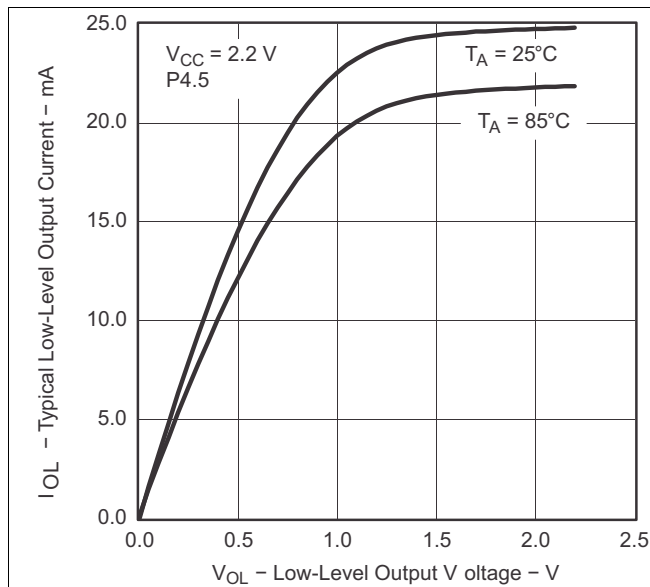
over recommended ranges of supply voltage and operating free-air temperature (unless otherwise noted)

PARAMETER		TEST CONDITIONS	$V_{CC}$	MIN	TYP	MAX	UNIT
$f_{Px.y}$	Port output frequency (with load)	$Px.y$ , $C_L = 20$ pF, $R_L = 1$ k $\Omega$ against $V_{CC}/2$ <sup>(1)(2)</sup>	3 V		12		MHz
$f_{Port\_CLK}$	Clock output frequency	$Px.y$ , $C_L = 20$ pF <sup>(2)</sup>	3 V		16		MHz

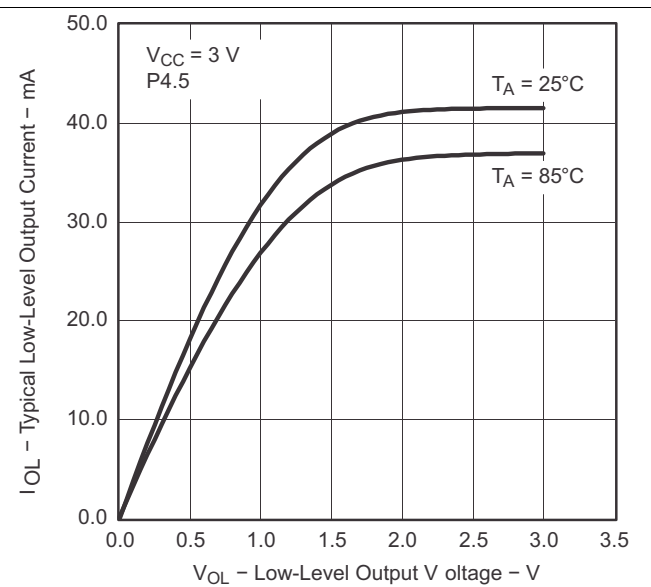
- (1) Alternatively, a resistive divider with two 2-k $\Omega$  resistors between  $V_{CC}$  and  $V_{SS}$  is used as load. The output is connected to the center tap of the divider.  
 (2) The output voltage reaches at least 10% and 90%  $V_{CC}$  at the specified toggle frequency.

## 5.11 Typical Characteristics - Outputs

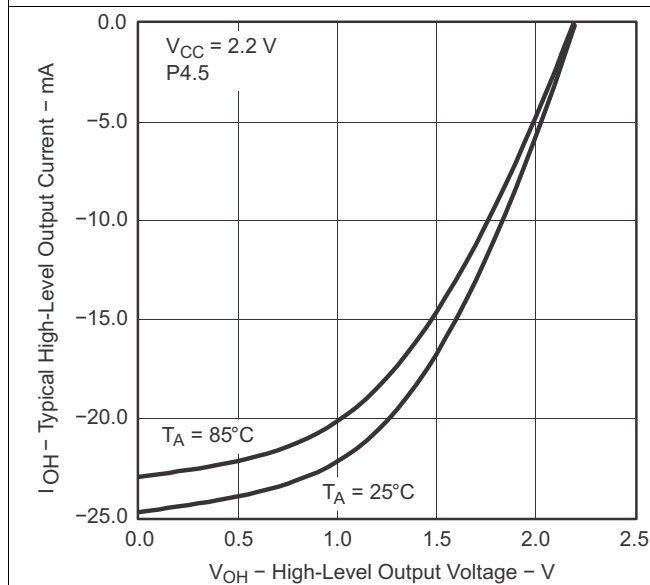
One output loaded at a time.



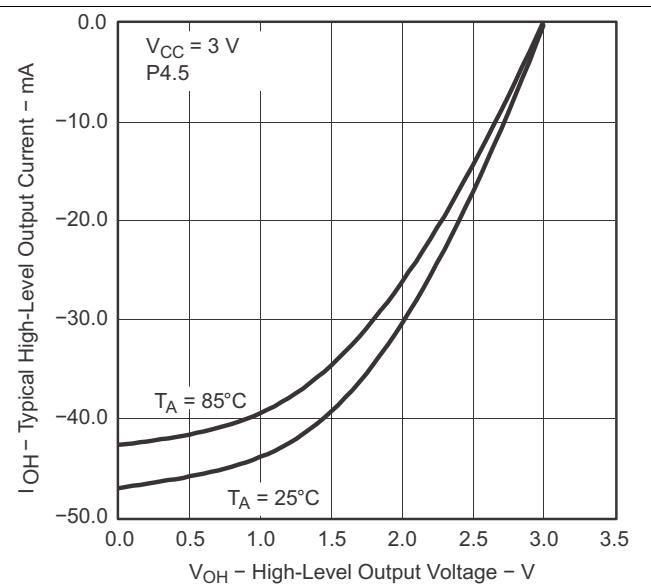
**Figure 5-4. Typical Low-Level Output Current vs Low-Level Output Voltage**



**Figure 5-5. Typical Low-Level Output Current vs Low-Level Output Voltage**



**Figure 5-6. Typical High-Level Output Current vs High-Level Output Voltage**



**Figure 5-7. Typical High-Level Output Current vs High-Level Output Voltage**

### 5.12 POR and BOR<sup>(1)(2)</sup>

over recommended ranges of supply voltage and operating free-air temperature (unless otherwise noted)

PARAMETER		TEST CONDITIONS	V <sub>CC</sub>	MIN	TYP	MAX	UNIT
V <sub>CC(start)</sub>	See Figure 5-8	dV <sub>CC</sub> /dt ≤ 3 V/s			0.7 × V <sub>(B_IT-)</sub>		V
V <sub>(B_IT-)</sub>	See Figure 5-8 through Figure 5-10	dV <sub>CC</sub> /dt ≤ 3 V/s			1.35		V
V <sub>hys(B_IT-)</sub>	See Figure 5-8	dV <sub>CC</sub> /dt ≤ 3 V/s			140		mV
t <sub>d(BOR)</sub>	See Figure 5-8				2000		μs
t <sub>(reset)</sub>	Pulse duration needed at $\overline{\text{RST}}/\text{NMI}$ pin to accept reset internally		2.2 V	2			μs

- (1) The current consumption of the brownout module is already included in the I<sub>CC</sub> current consumption data. The voltage level V<sub>(B\_IT-)</sub> + V<sub>hys(B\_IT-)</sub> is ≤ 1.8 V.
- (2) During power up, the CPU begins code execution following a period of t<sub>d(BOR)</sub> after V<sub>CC</sub> = V<sub>(B\_IT-)</sub> + V<sub>hys(B\_IT-)</sub>. The default DCO settings must not be changed until V<sub>CC</sub> ≥ V<sub>CC(min)</sub>, where V<sub>CC(min)</sub> is the minimum supply voltage for the desired operating frequency.

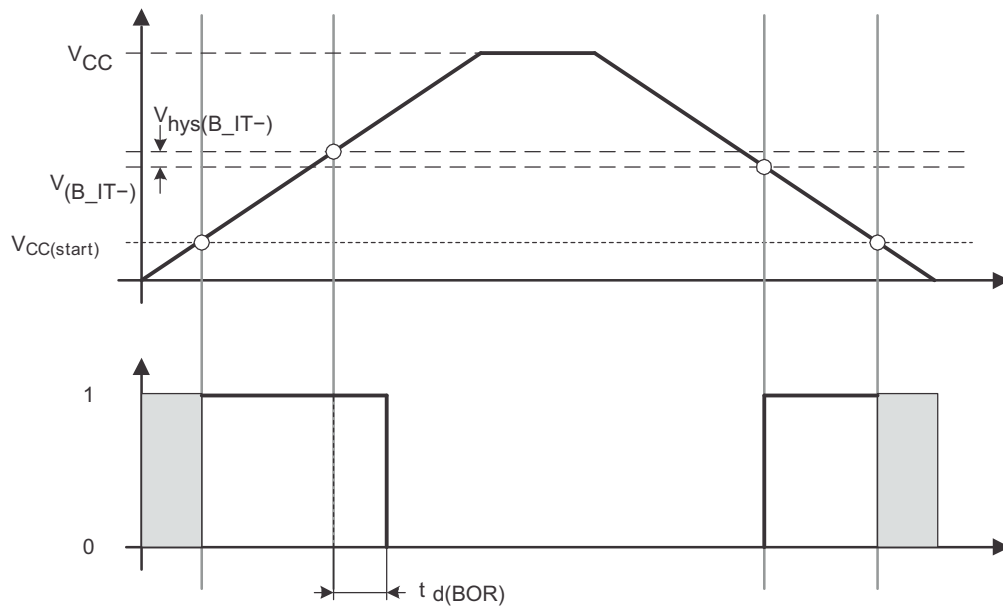
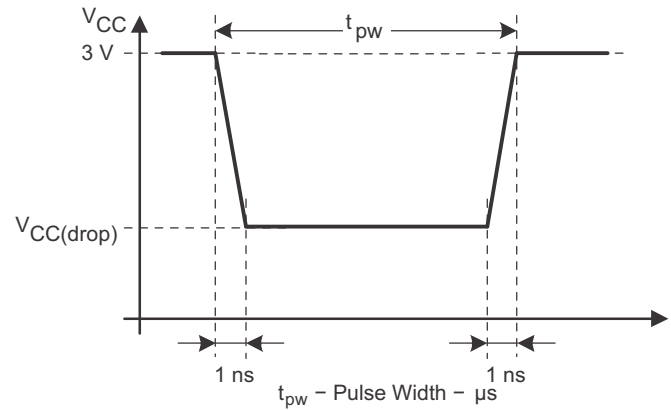
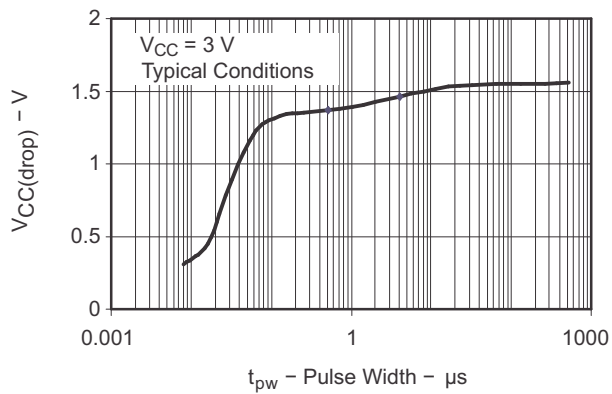
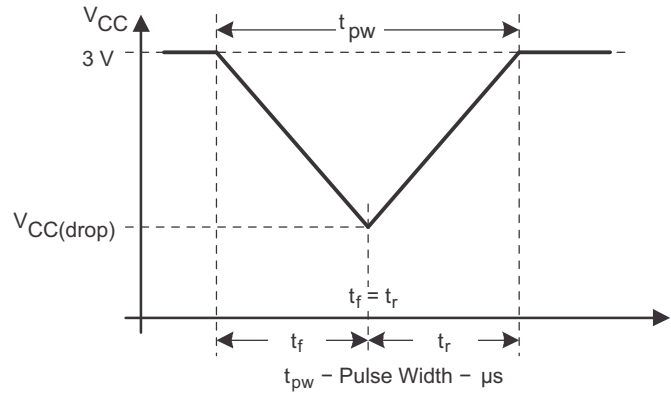
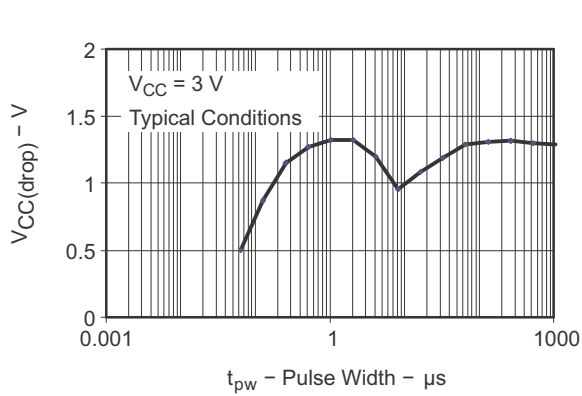


Figure 5-8. POR and BOR vs Supply Voltage

### 5.13 Typical Characteristics - POR and BOR



**Figure 5-9.  $V_{CC(drop)}$  Level With a Square Voltage Drop to Generate a POR or BOR Signal**



**Figure 5-10.  $V_{CC(drop)}$  Level With a Triangular Voltage Drop to Generate a POR or BOR Signal**

## 5.14 DCO Frequency

over recommended ranges of supply voltage and operating free-air temperature (unless otherwise noted)

PARAMETER		TEST CONDITIONS	V <sub>CC</sub>	MIN	TYP	MAX	UNIT
V <sub>CC</sub>	Supply voltage range	RSELx < 14		1.8		3.6	V
		RSELx = 14		2.2		3.6	
		RSELx = 15		3.0		3.6	
f <sub>DCO(0,0)</sub>	DCO frequency (0, 0)	RSELx = 0, DCOx = 0, MODx = 0	3 V	0.06		0.14	MHz
f <sub>DCO(0,3)</sub>	DCO frequency (0, 3)	RSELx = 0, DCOx = 3, MODx = 0	3 V	0.07		0.17	MHz
f <sub>DCO(1,3)</sub>	DCO frequency (1, 3)	RSELx = 1, DCOx = 3, MODx = 0	3 V				MHz
f <sub>DCO(2,3)</sub>	DCO frequency (2, 3)	RSELx = 2, DCOx = 3, MODx = 0	3 V				MHz
f <sub>DCO(3,3)</sub>	DCO frequency (3, 3)	RSELx = 3, DCOx = 3, MODx = 0	3 V				MHz
f <sub>DCO(4,3)</sub>	DCO frequency (4, 3)	RSELx = 4, DCOx = 3, MODx = 0	3 V				MHz
f <sub>DCO(5,3)</sub>	DCO frequency (5, 3)	RSELx = 5, DCOx = 3, MODx = 0	3 V				MHz
f <sub>DCO(6,3)</sub>	DCO frequency (6, 3)	RSELx = 6, DCOx = 3, MODx = 0	3 V	0.54		1.06	MHz
f <sub>DCO(7,3)</sub>	DCO frequency (7, 3)	RSELx = 7, DCOx = 3, MODx = 0	3 V	0.80		1.50	MHz
f <sub>DCO(8,3)</sub>	DCO frequency (8, 3)	RSELx = 8, DCOx = 3, MODx = 0	3 V		1.6		MHz
f <sub>DCO(9,3)</sub>	DCO frequency (9, 3)	RSELx = 9, DCOx = 3, MODx = 0	3 V		2.3		MHz
f <sub>DCO(10,3)</sub>	DCO frequency (10, 3)	RSELx = 10, DCOx = 3, MODx = 0	3 V		3.4		MHz
f <sub>DCO(11,3)</sub>	DCO frequency (11, 3)	RSELx = 11, DCOx = 3, MODx = 0	3 V		4.25		MHz
f <sub>DCO(12,3)</sub>	DCO frequency (12, 3)	RSELx = 12, DCOx = 3, MODx = 0	3 V	4.30		7.30	MHz
f <sub>DCO(13,3)</sub>	DCO frequency (13, 3)	RSELx = 13, DCOx = 3, MODx = 0	3 V	6.00		9.60	MHz
f <sub>DCO(14,3)</sub>	DCO frequency (14, 3)	RSELx = 14, DCOx = 3, MODx = 0	3 V	8.60		13.9	MHz
f <sub>DCO(15,3)</sub>	DCO frequency (15, 3)	RSELx = 15, DCOx = 3, MODx = 0	3 V	12.0		18.5	MHz
f <sub>DCO(15,7)</sub>	DCO frequency (15, 7)	RSELx = 15, DCOx = 7, MODx = 0	3 V	16.0		26.0	MHz
S <sub>RSEL</sub>	Frequency step between range RSEL and RSEL+1	S <sub>RSEL</sub> = f <sub>DCO(RSEL+1,DCO)</sub> / f <sub>DCO(RSEL,DCO)</sub>	3 V		1.35		ratio
S <sub>DCO</sub>	Frequency step between tap DCO and DCO+1	S <sub>DCO</sub> = f <sub>DCO(RSEL,DCO+1)</sub> / f <sub>DCO(RSEL,DCO)</sub>	3 V		1.08		ratio
	Duty cycle	Measured at SMCLK	3 V		50%		

## 5.15 Calibrated DCO Frequencies, Tolerance

over recommended ranges of supply voltage and operating free-air temperature (unless otherwise noted)

PARAMETER	TEST CONDITIONS	T <sub>A</sub>	V <sub>CC</sub>	MIN	TYP	MAX	UNIT
1-MHz tolerance over temperature <sup>(1)</sup>	BCSCTL1 = CALBC1_1MHZ, DCOCTL = CALDCO_1MHZ, calibrated at 30°C and 3 V	0°C to 85°C	3 V	-3%	±0.5%	+3%	
1-MHz tolerance over V <sub>CC</sub>	BCSCTL1 = CALBC1_1MHZ, DCOCTL = CALDCO_1MHZ, calibrated at 30°C and 3 V	30°C	1.8 V to 3.6 V	-3%	±2%	+3%	
1-MHz tolerance overall	BCSCTL1 = CALBC1_1MHZ, DCOCTL = CALDCO_1MHZ, calibrated at 30°C and 3 V	-40°C to 85°C	1.8 V to 3.6 V	-6%	±3%	+6%	
8-MHz tolerance over temperature <sup>(1)</sup>	BCSCTL1 = CALBC1_8MHZ, DCOCTL = CALDCO_8MHZ, calibrated at 30°C and 3 V	0°C to 85°C	3 V	-3%	±0.5%	+3%	
8-MHz tolerance over V <sub>CC</sub>	BCSCTL1 = CALBC1_8MHZ, DCOCTL = CALDCO_8MHZ, calibrated at 30°C and 3 V	30°C	2.2 V to 3.6 V	-3%	±2%	+3%	
8-MHz tolerance overall	BCSCTL1 = CALBC1_8MHZ, DCOCTL = CALDCO_8MHZ, calibrated at 30°C and 3 V	-40°C to 85°C	2.2 V to 3.6 V	-6%	±3%	+6%	
12-MHz tolerance over temperature <sup>(1)</sup>	BCSCTL1 = CALBC1_12MHZ, DCOCTL = CALDCO_12MHZ, calibrated at 30°C and 3 V	0°C to 85°C	3 V	-3%	±0.5%	+3%	
12-MHz tolerance over V <sub>CC</sub>	BCSCTL1 = CALBC1_12MHZ, DCOCTL = CALDCO_12MHZ, calibrated at 30°C and 3 V	30°C	2.7 V to 3.6 V	-3%	±2%	+3%	
12-MHz tolerance overall	BCSCTL1 = CALBC1_12MHZ, DCOCTL = CALDCO_12MHZ, calibrated at 30°C and 3 V	-40°C to 85°C	2.7 V to 3.6 V	-6%	±3%	+6%	
16-MHz tolerance over temperature <sup>(1)</sup>	BCSCTL1 = CALBC1_16MHZ, DCOCTL = CALDCO_16MHZ, calibrated at 30°C and 3 V	0°C to 85°C	3 V	-3%	±0.5%	+3%	
16-MHz tolerance over V <sub>CC</sub>	BCSCTL1 = CALBC1_16MHZ, DCOCTL = CALDCO_16MHZ, calibrated at 30°C and 3 V	30°C	3.3 V to 3.6 V	-3%	±2%	+3%	
16-MHz tolerance overall	BCSCTL1 = CALBC1_16MHZ, DCOCTL = CALDCO_16MHZ, calibrated at 30°C and 3 V	-40°C to 85°C	3.3 V to 3.6 V	-6%	±3%	+6%	

(1) This is the frequency change from the measured frequency at 30°C over temperature.

### 5.16 Wake-Up From Lower-Power Modes (LPM3, LPM4)

over recommended ranges of supply voltage and operating free-air temperature (unless otherwise noted)

PARAMETER	TEST CONDITIONS	V <sub>CC</sub>	MIN	TYP	MAX	UNIT
t <sub>DCO,LPM3/4</sub>	DCO clock wake-up time from LPM3 or LPM4 <sup>(1)</sup> BCSCTL1 = CALBC1_1MHZ, DCOCTL = CALDCO_1MHZ	3 V		1.5		μs
t <sub>CPU,LPM3/4</sub>	CPU wake-up time from LPM3 or LPM4 <sup>(2)</sup>			1 / f <sub>MCLK</sub> + t <sub>Clock,LPM3/4</sub>		

- (1) The DCO clock wake-up time is measured from the edge of an external wake-up signal (for example, a port interrupt) to the first clock edge observable externally on a clock pin (MCLK or SMCLK).
- (2) Parameter applicable only if DCOCLK is used for MCLK.

### 5.17 Typical Characteristics - DCO Clock Wake-Up Time From LPM3 or LPM4

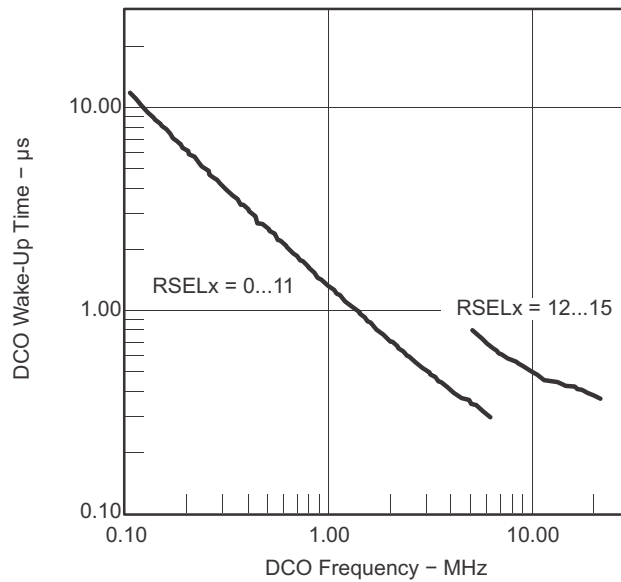


Figure 5-11. Clock Wake-Up Time From LPM3 vs DCO Frequency

### 5.18 DCO With External Resistor $R_{OSC}$ <sup>(1)</sup>

over recommended ranges of supply voltage and operating free-air temperature (unless otherwise noted)

PARAMETER	TEST CONDITIONS	$V_{CC}$	MIN	TYP	MAX	UNIT
$f_{DCO,ROSC}$	DCOR = 1, RSELx = 4, DCOx = 3, MODx = 0, $T_A = 25^\circ C$	2.2 V		1.8		MHz
		3 V		1.95		
$D_T$	DCOR = 1, RSELx = 4, DCOx = 3, MODx = 0	2.2 V, 3 V		$\pm 0.1$		%/ $^\circ C$
$D_V$	DCOR = 1, RSELx = 4, DCOx = 3, MODx = 0	2.2 V, 3 V		10		%/V

(1)  $R_{OSC} = 100\text{ k}\Omega$ . Metal film resistor, type 0257, 0.6 W with 1% tolerance and  $T_K = \pm 50\text{ ppm}/^\circ C$ .

### 5.19 Typical Characteristics - DCO With External Resistor $R_{OSC}$

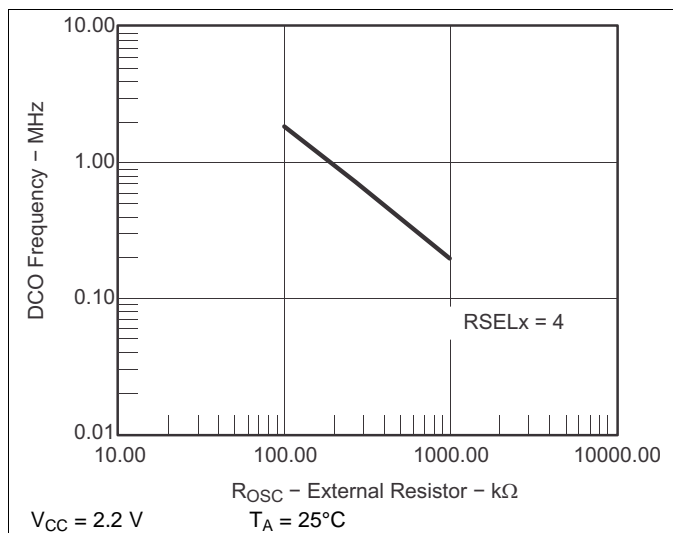


Figure 5-12. DCO Frequency vs  $R_{osc}$

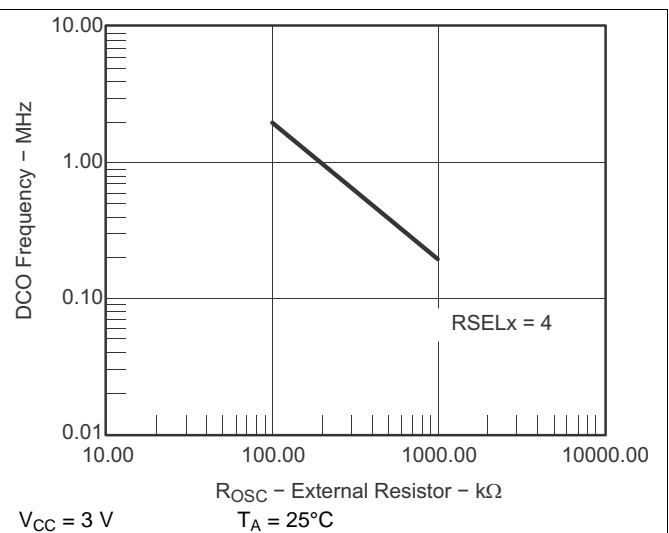


Figure 5-13. DCO Frequency vs  $R_{osc}$

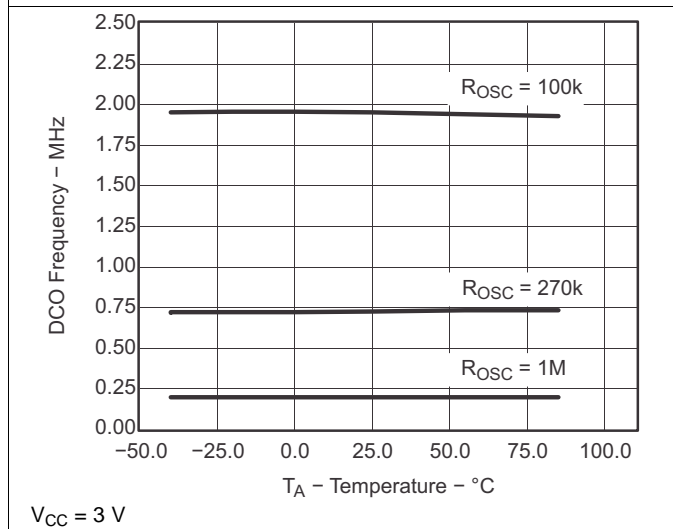


Figure 5-14. DCO Frequency vs Temperature

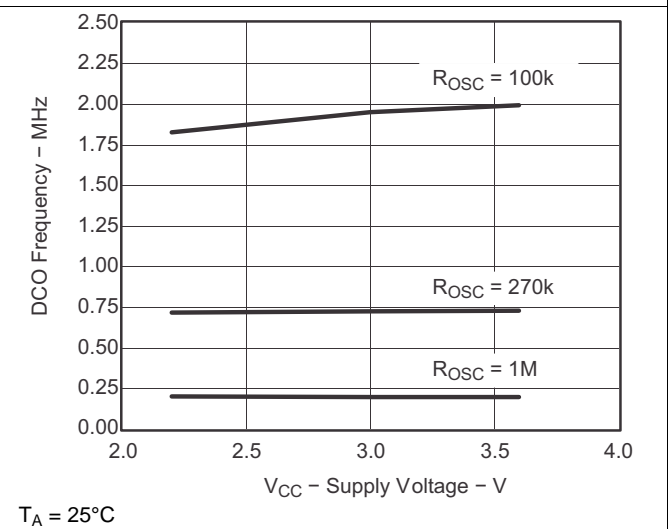


Figure 5-15. DCO Frequency vs Supply Voltage



## 5.20 Crystal Oscillator LFXT1, Low-Frequency Mode<sup>(1)</sup>

over recommended ranges of supply voltage and operating free-air temperature (unless otherwise noted)

PARAMETER		TEST CONDITIONS	V <sub>CC</sub>	MIN	TYP	MAX	UNIT
f <sub>LFXT1,LF</sub>	LFXT1 oscillator crystal frequency, LF mode 0, 1	XTS = 0, LFXT1Sx = 0 or 1	1.8 V to 3.6 V		32768		Hz
f <sub>LFXT1,LF,logic</sub>	LFXT1 oscillator logic level square wave input frequency, LF mode	XTS = 0, XCAPx = 0, LFXT1Sx = 3	1.8 V to 3.6 V	10000	32768	50000	Hz
O <sub>A,LF</sub>	Oscillation allowance for LF crystals	XTS = 0, LFXT1Sx = 0, f <sub>LFXT1,LF</sub> = 32768 Hz, C <sub>L,eff</sub> = 6 pF			500		kΩ
		XTS = 0, LFXT1Sx = 0, f <sub>LFXT1,LF</sub> = 32768 Hz, C <sub>L,eff</sub> = 12 pF			200		
C <sub>L,eff</sub>	Integrated effective load capacitance, LF mode <sup>(2)</sup>	XTS = 0, XCAPx = 0			1		pF
		XTS = 0, XCAPx = 1			5.5		
		XTS = 0, XCAPx = 2			8.5		
		XTS = 0, XCAPx = 3			11		
	Duty cycle, LF mode	XTS = 0, Measured at P2.0/ACLK, f <sub>LFXT1,LF</sub> = 32768 Hz	2.2 V	30%	50%	70%	
f <sub>Fault,LF</sub>	Oscillator fault frequency, LF mode <sup>(3)</sup>	XTS = 0, XCAPx = 0, LFXT1Sx = 3 <sup>(4)</sup>	2.2 V	10		10000	Hz

- (1) To improve EMI on the XT1 oscillator, the following guidelines should be observed.
- Keep the trace between the device and the crystal as short as possible.
  - Design a good ground plane around the oscillator pins.
  - Prevent crosstalk from other clock or data lines into oscillator pins XIN and XOUT.
  - Avoid running PCB traces underneath or adjacent to the XIN and XOUT pins.
  - Use assembly materials and processes that avoid any parasitic load on the oscillator XIN and XOUT pins.
  - If conformal coating is used, make sure that it does not induce capacitive or resistive leakage between the oscillator pins.
  - Do not route the XOUT line to the JTAG header to support the serial programming adapter as shown in other documentation. This signal is no longer required for the serial programming adapter.
- (2) Includes parasitic bond and package capacitance (approximately 2 pF per pin). Because the PCB adds additional capacitance, it is recommended to verify the correct load by measuring the ACLK frequency. For a correct setup, the effective load capacitance should always match the specification of the crystal that is used.
- (3) Frequencies below the MIN specification set the fault flag. Frequencies above the MAX specification do not set the fault flag. Frequencies between the MIN and MAX specifications might set the flag.
- (4) Measured with logic-level input frequency but also applies to operation with crystals.

## 5.21 Internal Very-Low-Power Low-Frequency Oscillator (VLO)

over recommended ranges of supply voltage and operating free-air temperature (unless otherwise noted)

PARAMETER		T <sub>A</sub>	V <sub>CC</sub>	MIN	TYP	MAX	UNIT
f <sub>VLO</sub>	VLO frequency	-40°C to 85°C	3 V	4	12	20	kHz
df <sub>VLO</sub> /dT	VLO frequency temperature drift <sup>(1)</sup>	-40°C to 85°C	3 V		0.5		%/°C
df <sub>VLO</sub> /dV <sub>CC</sub>	VLO frequency supply voltage drift <sup>(2)</sup>	25°C	1.8 V to 3.6 V		4		%/V

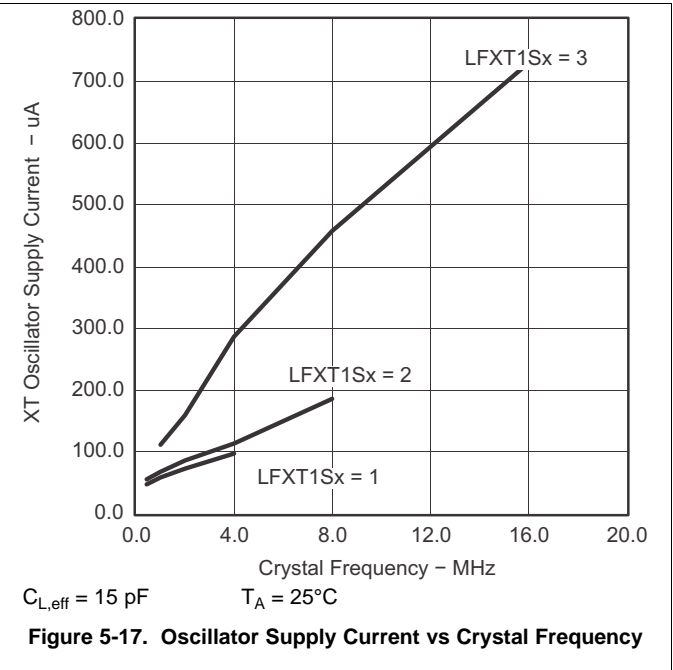
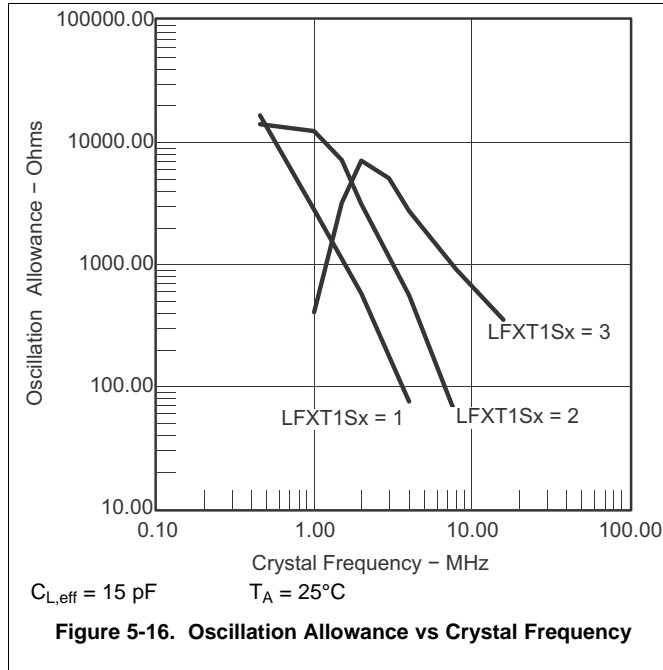
- (1) Calculated using the box method:  
I version: [MAX(-40...85°C) - MIN(-40...85°C)]/MIN(-40...85°C)/[85°C - (-40°C)]
- (2) Calculated using the box method: [MAX(1.8...3.6 V) - MIN(1.8...3.6 V)]/MIN(1.8...3.6 V)/(3.6 V - 1.8 V)

## 5.22 Crystal Oscillator LFXT1, High-Frequency Mode<sup>(1)</sup>

PARAMETER		TEST CONDITIONS	V <sub>CC</sub>	MIN	TYP	MAX	UNIT
f <sub>LFXT1,HF0</sub>	LFXT1 oscillator crystal frequency, HF mode 0	XTS = 1, LFXT1Sx = 0	1.8 V to 3.6 V	0.4		1	MHz
f <sub>LFXT1,HF1</sub>	LFXT1 oscillator crystal frequency, HF mode 1	XTS = 1, LFXT1Sx = 1	1.8 V to 3.6 V	1		4	MHz
f <sub>LFXT1,HF2</sub>	LFXT1 oscillator crystal frequency, HF mode 2	XTS = 1, LFXT1Sx = 2	1.8 V to 3.6 V	2		10	MHz
			2.2 V to 3.6 V	2		12	
			3 V to 3.6 V	2		16	
f <sub>LFXT1,HF,logic</sub>	LFXT1 oscillator logic-level square-wave input frequency, HF mode	XTS = 1, LFXT1Sx = 3	1.8 V to 3.6 V	0.4		10	MHz
			2.2 V to 3.6 V	0.4		12	
			3 V to 3.6 V	0.4		16	
O <sub>AHF</sub>	Oscillation allowance for HF crystals (see Figure 5-16 and Figure 5-17)	XTS = 1, LFXT1Sx = 0, f <sub>LFXT1,HF</sub> = 1 MHz, C <sub>L,eff</sub> = 15 pF			2700		Ω
		XTS = 1, LFXT1Sx = 1, f <sub>LFXT1,HF</sub> = 4 MHz, C <sub>L,eff</sub> = 15 pF			800		
		XTS = 1, LFXT1Sx = 2, f <sub>LFXT1,HF</sub> = 16 MHz, C <sub>L,eff</sub> = 15 pF			300		
C <sub>L,eff</sub>	Integrated effective load capacitance, HF mode <sup>(2)</sup>	XTS = 1 <sup>(3)</sup>			1		pF
	Duty cycle, HF mode	XTS = 1, Measured at P2.0/ACLK, f <sub>LFXT1,HF</sub> = 10 MHz	2.2 V	40%	50%	60%	
		XTS = 1, Measured at P2.0/ACLK, f <sub>LFXT1,HF</sub> = 16 MHz		40%	50%	60%	
f <sub>Fault,HF</sub>	Oscillator fault frequency <sup>(4)</sup>	XTS = 1, LFXT1Sx = 3 <sup>(5)</sup>	2.2 V	30		300	kHz

- (1) To improve EMI on the XT1 oscillator the following guidelines should be observed:
- Keep the trace between the device and the crystal as short as possible.
  - Design a good ground plane around the oscillator pins.
  - Prevent crosstalk from other clock or data lines into oscillator pins XIN and XOUT.
  - Avoid running PCB traces underneath or adjacent to the XIN and XOUT pins.
  - Use assembly materials and processes that avoid any parasitic load on the oscillator XIN and XOUT pins.
  - If conformal coating is used, make sure that it does not induce capacitive or resistive leakage between the oscillator pins.
  - Do not route the XOUT line to the JTAG header to support the serial programming adapter as shown in other documentation. This signal is no longer required for the serial programming adapter.
- (2) Includes parasitic bond and package capacitance (approximately 2 pF per pin). Because the PCB adds additional capacitance, it is recommended to verify the correct load by measuring the ACLK frequency. For a correct setup, the effective load capacitance should always match the specification of the used crystal.
- (3) Requires external capacitors at both terminals. Values are specified by crystal manufacturers.
- (4) Frequencies below the MIN specification set the fault flag. Frequencies above the MAX specification do not set the fault flag. Frequencies between the MIN and MAX specifications might set the flag.
- (5) Measured with logic-level input frequency, but also applies to operation with crystals.

5.23 Typical Characteristics - LFXT1 Oscillator in HF Mode (XTS = 1)



## 5.24 Timer\_A, Timer\_B

over recommended ranges of supply voltage and operating free-air temperature (unless otherwise noted)

PARAMETER		TEST CONDITIONS	V <sub>CC</sub>	MIN	TYP	MAX	UNIT
f <sub>TA</sub>	Timer_A clock frequency	SMCLK, Duty cycle = 50% ± 10%			f <sub>SYSTEM</sub>		MHz
t <sub>TA,cap</sub>	Timer_A capture timing	TAx, TBx	3 V	20			ns

## 5.25 USCI (UART Mode)

over recommended ranges of supply voltage and operating free-air temperature (unless otherwise noted)

PARAMETER		TEST CONDITIONS	V <sub>CC</sub>	MIN	TYP	MAX	UNIT
f <sub>USCI</sub>	USCI input clock frequency	Internal: SMCLK, ACLK External: UCLK Duty cycle = 50% ± 10%			f <sub>SYSTEM</sub>		MHz
f <sub>max,BITCLK</sub>	Maximum BITCLK clock frequency (equals baud rate in MBaud)		3 V	2			MHz
t <sub>r</sub>	UART receive deglitch time <sup>(1)</sup>		3 V	50	100	600	ns

(1) The DCO wake-up time must be considered in LPM3/4 for baud rates above 1 MHz.

## 5.26 USCI (SPI Master Mode)<sup>(1)</sup>

over recommended ranges of supply voltage and operating free-air temperature (unless otherwise noted)  
(see [Figure 5-18](#) and [Figure 5-19](#))

PARAMETER	TEST CONDITIONS	V <sub>CC</sub>	MIN	TYP	MAX	UNIT
f <sub>USCI</sub>	USCI input clock frequency	SMCLK, duty cycle = 50% ± 10%			f <sub>SYSTEM</sub>	MHz
t <sub>SU,MI</sub>	SOMI input data setup time		3 V	75		ns
t <sub>HD,MI</sub>	SOMI input data hold time		3 V	0		ns
t <sub>VALID,MO</sub>	SIMO output data valid time	UCLK edge to SIMO valid, C <sub>L</sub> = 20 pF	3 V		20	ns

(1)  $f_{UCxCLK} = 1/2t_{LO/HI}$  with  $t_{LO/HI} \geq \max(t_{VALID,MO}(USCI) + t_{SU,SI}(Slave), t_{SU,MI}(USCI) + t_{VALID,SO}(Slave))$ .  
For the slave parameters  $t_{SU,SI}(Slave)$  and  $t_{VALID,SO}(Slave)$ , see the SPI parameters of the attached slave.

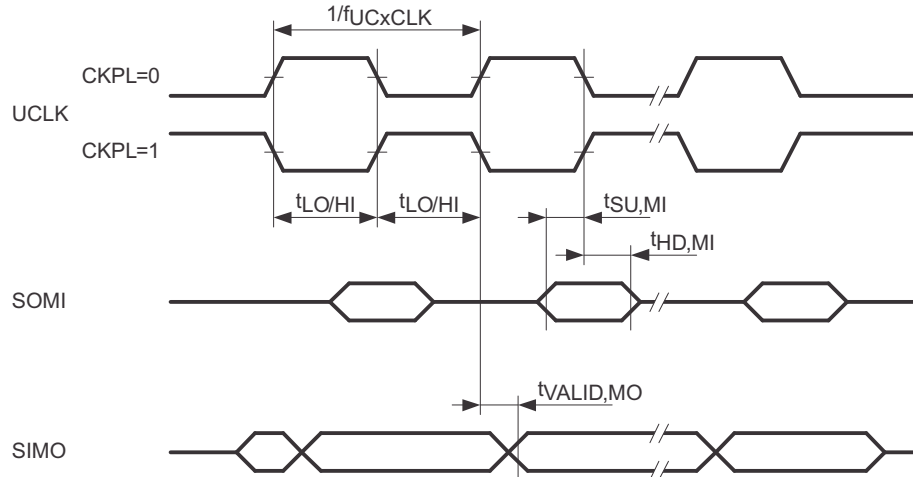


Figure 5-18. SPI Master Mode, CKPH = 0

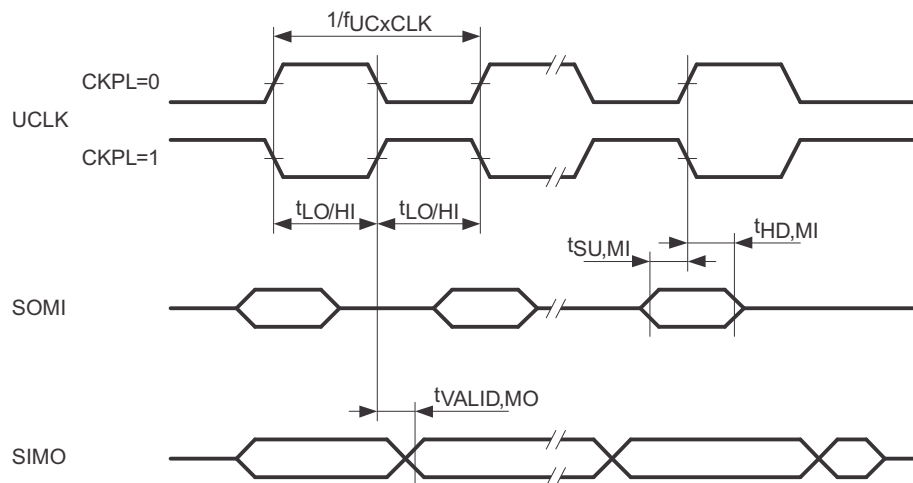


Figure 5-19. SPI Master Mode, CKPH = 1

### 5.27 USCI (SPI Slave Mode)<sup>(1)</sup>

over recommended ranges of supply voltage and operating free-air temperature (unless otherwise noted)  
(see [Figure 5-20](#) and [Figure 5-21](#))

PARAMETER	TEST CONDITIONS	V <sub>CC</sub>	MIN	TYP	MAX	UNIT
t <sub>STE,LEAD</sub>	STE lead time, STE low to clock	3 V		50		ns
t <sub>STE,LAG</sub>	STE lag time, Last clock to STE high	3 V	10			ns
t <sub>STE,ACC</sub>	STE access time, STE low to SOMI data out	3 V		50		ns
t <sub>STE,DIS</sub>	STE disable time, STE high to SOMI high impedance	3 V		50		ns
t <sub>SU,SI</sub>	SIMO input data setup time	3 V	15			ns
t <sub>HD,SI</sub>	SIMO input data hold time	3 V	10			ns
t <sub>VALID,SO</sub>	SOMI output data valid time	UCLK edge to SOMI valid, C <sub>L</sub> = 20 pF		50	75	ns

(1)  $f_{UCxCLK} = 1/2t_{LO/HI}$  with  $t_{LO/HI} \geq \max(t_{VALID,MO(Master)} + t_{SU,SI(USCI)}, t_{SU,MI(Master)} + t_{VALID,SO(USCI)})$ .  
For the master's parameters  $t_{SU,MI(Master)}$  and  $t_{VALID,MO(Master)}$  refer to the SPI parameters of the attached slave.

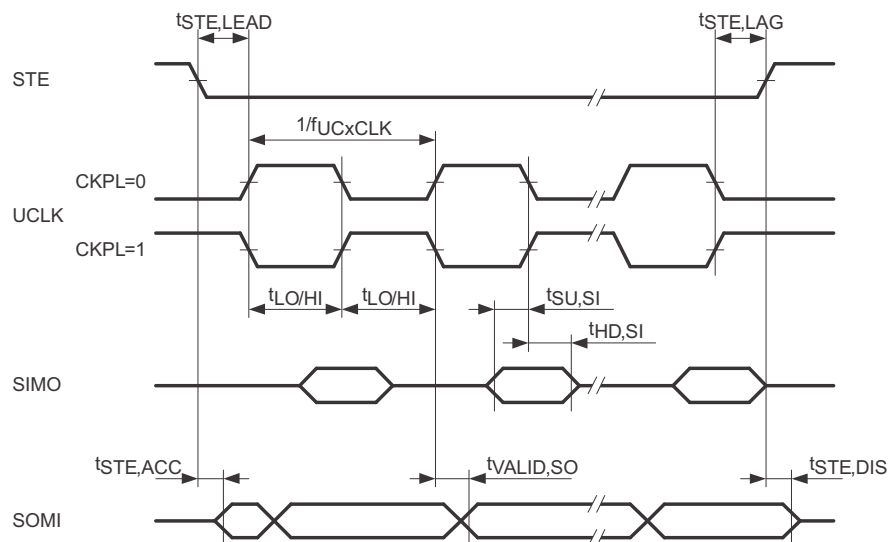


Figure 5-20. SPI Slave Mode, CKPH = 0

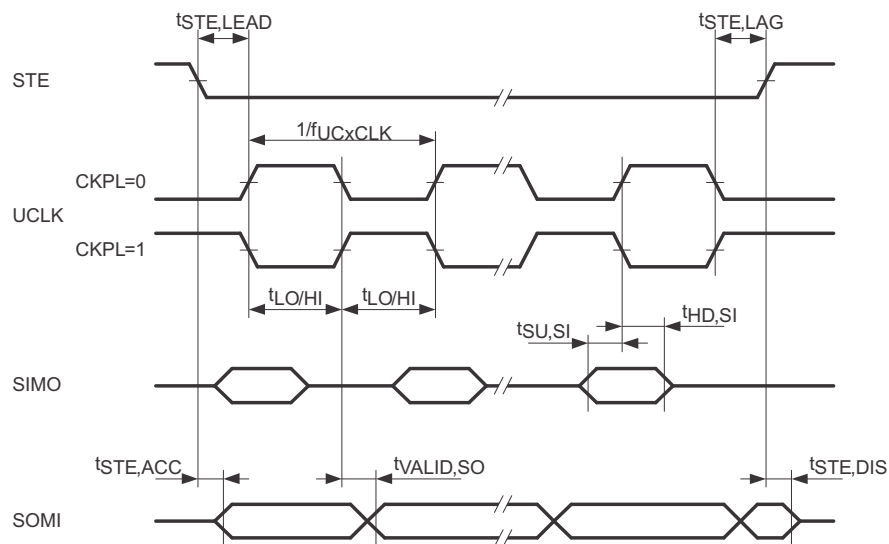


Figure 5-21. SPI Slave Mode, CKPH = 1

## 5.28 USCI (I<sup>2</sup>C Mode)

over recommended ranges of supply voltage and operating free-air temperature (unless otherwise noted) (see [Figure 5-22](#))

PARAMETER	TEST CONDITIONS	V <sub>CC</sub>	MIN	TYP	MAX	UNIT
f <sub>USCI</sub>	USCI input clock frequency			f <sub>SYSTEM</sub>		MHz
f <sub>SCL</sub>	SCL clock frequency	3 V	0		400	kHz
t <sub>HD,STA</sub>	Hold time (repeated) START	3 V	f <sub>SCL</sub> ≤ 100 kHz		4	μs
			f <sub>SCL</sub> > 100 kHz		0.6	
t <sub>SU,STA</sub>	Setup time for a repeated START	3 V	f <sub>SCL</sub> ≤ 100 kHz		4.7	μs
			f <sub>SCL</sub> > 100 kHz		0.6	
t <sub>HD,DAT</sub>	Data hold time	3 V	0			ns
t <sub>SU,DAT</sub>	Data setup time	3 V	250			ns
t <sub>SU,STO</sub>	Setup time for STOP	3 V	4			μs
t <sub>SP</sub>	Pulse duration of spikes suppressed by input filter	3 V	50	100	600	ns

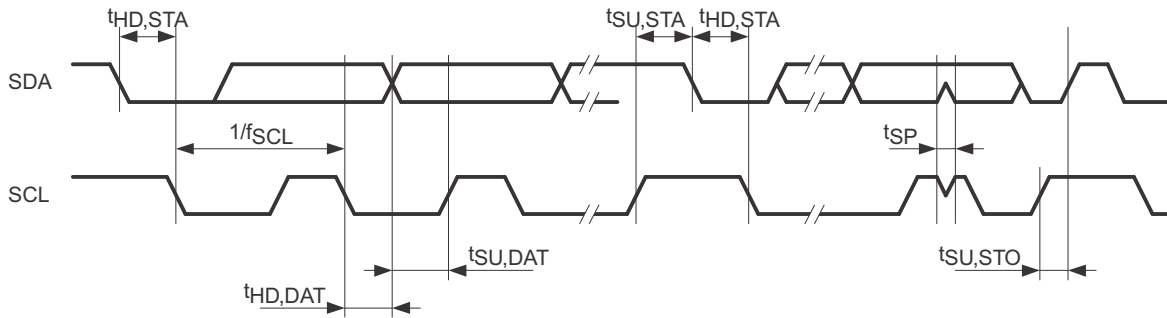


Figure 5-22. I<sup>2</sup>C Mode Timing

## 5.29 10-Bit ADC, Power Supply and Input Range Conditions<sup>(1)</sup>

over recommended ranges of supply voltage and operating free-air temperature (unless otherwise noted)<sup>(1)</sup>

PARAMETER		TEST CONDITIONS	T <sub>A</sub>	V <sub>CC</sub>	MIN	TYP	MAX	UNIT
V <sub>CC</sub>	Analog supply voltage range	V <sub>SS</sub> = 0 V			2.2		3.6	V
V <sub>Ax</sub>	Analog input voltage range <sup>(2)</sup>	All Ax terminals, Analog inputs selected in ADC10AE register		3 V	0		V <sub>CC</sub>	V
I <sub>ADC10</sub>	ADC10 supply current <sup>(3)</sup>	f <sub>ADC10CLK</sub> = 5 MHz, ADC10ON = 1, REFON = 0, ADC10SHT0 = 1, ADC10SHT1 = 0, ADC10DIV = 0	25°C	3 V		0.6		mA
I <sub>REF+</sub>	Reference supply current, reference buffer disabled <sup>(4)</sup>	f <sub>ADC10CLK</sub> = 5 MHz, ADC10ON = 0, REF2_5V = 0, REFON = 1, REFOUT = 0	25°C	3 V		0.25		mA
		f <sub>ADC10CLK</sub> = 5 MHz, ADC10ON = 0, REF2_5V = 1, REFON = 1, REFOUT = 0				0.25		
I <sub>REFB,0</sub>	Reference buffer supply current with ADC10SR = 0 <sup>(4)</sup>	f <sub>ADC10CLK</sub> = 5 MHz, ADC10ON = 0, REFON = 1, REF2_5V = 0, REFOUT = 1, ADC10SR = 0	25°C	3 V		1.1		mA
I <sub>REFB,1</sub>	Reference buffer supply current with ADC10SR = 1 <sup>(4)</sup>	f <sub>ADC10CLK</sub> = 5 MHz, ADC10ON = 0, REFON = 1, REF2_5V = 0, REFOUT = 1, ADC10SR = 1	25°C	3 V		0.5		mA
C <sub>I</sub>	Input capacitance	Only one terminal Ax selected at a time	25°C	3 V			27	pF
R <sub>I</sub>	Input MUX ON resistance	0 V ≤ V <sub>Ax</sub> ≤ V <sub>CC</sub>	25°C	3 V		1000		Ω

(1) The leakage current is defined in the leakage current table with Px.x/Ax parameter.

(2) The analog input voltage range must be within the selected reference voltage range V<sub>R+</sub> to V<sub>R-</sub> for valid conversion results.

(3) The internal reference supply current is not included in current consumption parameter I<sub>ADC10</sub>.

(4) The internal reference current is supplied from terminal AVCC. Consumption is independent of the ADC10ON control bit, unless a conversion is active. The REFON bit enables the built-in reference to settle before starting an A/D conversion.



### 5.30 10-Bit ADC, Built-In Voltage Reference

over recommended ranges of supply voltage and operating free-air temperature (unless otherwise noted)

PARAMETER		TEST CONDITIONS	V <sub>CC</sub>	MIN	TYP	MAX	UNIT
V <sub>CC,REF+</sub>	Positive built-in reference analog supply voltage range	I <sub>VREF+</sub> ≤ 1 mA, REF2_5V = 0		2.2			V
		I <sub>VREF+</sub> ≤ 1 mA, REF2_5V = 1		2.9			
V <sub>REF+</sub>	Positive built-in reference voltage	I <sub>VREF+</sub> ≤ I <sub>VREF+max</sub> , REF2_5V = 0	3 V	1.41	1.5	1.59	V
		I <sub>VREF+</sub> ≤ I <sub>VREF+max</sub> , REF2_5V = 1	3 V	2.35	2.5	2.65	
I <sub>LD,VREF+</sub>	Maximum VREF+ load current		3 V	±1			mA
	VREF+ load regulation	I <sub>VREF+</sub> = 500 μA ± 100 μA, Analog input voltage V <sub>AX</sub> ≈ 0.75 V, REF2_5V = 0	3 V	±2			LSB
		I <sub>VREF+</sub> = 500 μA ± 100 μA, Analog input voltage V <sub>AX</sub> ≈ 1.25 V, REF2_5V = 1	3 V	±2			
	VREF+ load regulation response time	I <sub>VREF+</sub> = 100 μA to 900 μA, V <sub>AX</sub> ≈ 0.5 × V <sub>REF+</sub> , Error of conversion result ≤ 1 LSB, ADC10SR = 0	3 V	400			ns
C <sub>VREF+</sub>	Maximum capacitance at pin VREF+	I <sub>VREF+</sub> ≤ ±1 mA, REFON = 1, REFOUT = 1	3 V	100			pF
TC <sub>VREF+</sub>	Temperature coefficient <sup>(1)</sup>	I <sub>VREF+</sub> = constant with 0 mA ≤ I <sub>VREF+</sub> ≤ 1 mA	3 V	±100			ppm/°C
t <sub>REFON</sub>	Settling time of internal reference voltage	I <sub>VREF+</sub> = 0.5 mA, REF2_5V = 0, REFON = 0 to 1	3.6 V	30			μs
t <sub>REFBURST</sub>	Settling time of reference buffer to 99.9% VREF	I <sub>VREF+</sub> = 0.5 mA, REF2_5V = 1, REFON = 1, REFBURST = 1, ADC10SR = 0	3 V	2			μs

(1) Calculated using the box method:

I temperature: (MAX(-40 to 85°C) – MIN(-40 to 85°C)) / MIN(-40 to 85°C) / (85°C – (-40°C))

### 5.31 10-Bit ADC, External Reference<sup>(1)</sup>

over recommended ranges of supply voltage and operating free-air temperature (unless otherwise noted)

PARAMETER		TEST CONDITIONS	V <sub>CC</sub>	MIN	TYP	MAX	UNIT
V <sub>eREF+</sub>	Positive external reference input voltage range <sup>(2)</sup>	V <sub>eREF+</sub> > V <sub>eREF-</sub> , SREF1 = 1, SREF0 = 0		1.4		V <sub>CC</sub>	V
		V <sub>eREF-</sub> ≤ V <sub>eREF+</sub> ≤ V <sub>CC</sub> - 0.15 V, SREF1 = 1, SREF0 = 1 <sup>(3)</sup>		1.4		3	
V <sub>eREF-</sub>	Negative external reference input voltage range <sup>(4)</sup>	V <sub>eREF+</sub> > V <sub>eREF-</sub>		0		1.2	V
ΔV <sub>eREF</sub>	Differential external reference input voltage range ΔV <sub>eREF</sub> = V <sub>eREF+</sub> - V <sub>eREF-</sub>	V <sub>eREF+</sub> > V <sub>eREF-</sub> <sup>(5)</sup>		1.4		V <sub>CC</sub>	V
I <sub>VeREF+</sub>	Static input current into VeREF+	0 V ≤ V <sub>eREF+</sub> ≤ V <sub>CC</sub> , SREF1 = 1, SREF0 = 0	3 V		±1		μA
		0 V ≤ V <sub>eREF+</sub> ≤ V <sub>CC</sub> - 0.15 V ≤ 3 V, SREF1 = 1, SREF0 = 1 <sup>(3)</sup>	3 V		0		
I <sub>VeREF-</sub>	Static input current into VeREF-	0 V ≤ V <sub>eREF-</sub> ≤ V <sub>CC</sub>	3 V		±1		μA

- (1) The external reference is used during conversion to charge and discharge the capacitance array. The input capacitance, C<sub>I</sub>, is also the dynamic load for an external reference during conversion. The dynamic impedance of the reference supply should follow the recommendations on analog-source impedance to allow the charge to settle for 10-bit accuracy.
- (2) The accuracy limits the minimum positive external reference voltage. Lower reference voltage levels may be applied with reduced accuracy requirements.
- (3) Under this condition, the external reference is internally buffered. The reference buffer is active and requires the reference buffer supply current I<sub>REFB</sub>. The current consumption can be limited to the sample and conversion period with REBURST = 1.
- (4) The accuracy limits the maximum negative external reference voltage. Higher reference voltage levels may be applied with reduced accuracy requirements.
- (5) The accuracy limits the minimum external differential reference voltage. Lower differential reference voltage levels may be applied with reduced accuracy requirements.

### 5.32 10-Bit ADC, Timing Parameters

over recommended ranges of supply voltage and operating free-air temperature (unless otherwise noted)

PARAMETER		TEST CONDITIONS	V <sub>CC</sub>	MIN	TYP	MAX	UNIT
f <sub>ADC10CLK</sub>	ADC10 input clock frequency	For specified performance of ADC10 linearity parameters	2.2 V, 3 V	ADC10SR = 0	0.45	6.3	MHz
				ADC10SR = 1	0.45	1.5	
f <sub>ADC10OSC</sub>	ADC10 built-in oscillator frequency	ADC10DIVx = 0, ADC10SSELx = 0, f <sub>ADC10CLK</sub> = f <sub>ADC10OSC</sub>	2.2 V, 3 V	3.7		6.3	MHz
t <sub>CONVERT</sub>	Conversion time	ADC10 built-in oscillator, ADC10SSELx = 0, f <sub>ADC10CLK</sub> = f <sub>ADC10OSC</sub>	2.2 V, 3 V	2.06		3.51	μs
		f <sub>ADC10CLK</sub> from ACLK, MCLK or SMCLK, ADC10SSELx ≠ 0				13 × ADC10DIVx × 1 / f <sub>ADC10CLK</sub>	
t <sub>ADC10ON</sub>	Turn on settling time of the ADC <sup>(1)</sup>					100	ns

- (1) The condition is that the error in a conversion started after t<sub>ADC10ON</sub> is less than ±0.5 LSB. The reference and input signal are already settled.

### 5.33 10-Bit ADC, Linearity Parameters<sup>(1)</sup>

over recommended ranges of supply voltage and operating free-air temperature (unless otherwise noted)

PARAMETER		TEST CONDITIONS	V <sub>CC</sub>	MIN	TYP	MAX	UNIT
E <sub>I</sub>	Integral linearity error	SREFx = 010	3 V			±1	LSB
E <sub>D</sub>	Differential linearity error	SREFx = 010	3 V			±1	LSB
E <sub>O</sub>	Offset error	Source impedance R <sub>S</sub> < 100 Ω, SREFx = 010	3 V			±1	LSB
E <sub>G</sub>	Gain error	SREFx = 010	3 V		±1.1	±2	LSB
E <sub>T</sub>	Total unadjusted error	SREFx = 010	3 V		±2	±6	LSB

(1) Using the integrated reference buffer (SREFx = 010) increases the gain, and offset and total unadjusted error.

### 5.34 10-Bit ADC, Temperature Sensor and Built-In V<sub>MID</sub><sup>(1)</sup>

over recommended ranges of supply voltage and operating free-air temperature (unless otherwise noted)

PARAMETER		TEST CONDITIONS	V <sub>CC</sub>	MIN	TYP	MAX	UNIT
I <sub>SENSOR</sub>	Temperature sensor supply current <sup>(1)</sup>	REFON = 0, INCHx = 0Ah, T <sub>A</sub> = 25°C	3 V		60		μA
TC <sub>SENSOR</sub>		ADC10ON = 1, INCHx = 0Ah <sup>(2)</sup>	3 V		3.55		mV/°C
t <sub>SENSOR(sample)</sub>	Sample time required if channel 10 is selected <sup>(3)</sup>	ADC10ON = 1, INCHx = 0Ah, Error of conversion result ≤ 1 LSB	3 V	30			μs
I <sub>VMID</sub>	Current into divider at channel 11	ADC10ON = 1, INCHx = 0Bh	3 V			<sup>(3)</sup>	μA
V <sub>MID</sub>	V <sub>CC</sub> divider at channel 11	ADC10ON = 1, INCHx = 0Bh, V <sub>MID</sub> ≈ 0.5 × V <sub>CC</sub>	3 V		1.5		V
t <sub>VMID(sample)</sub>	Sample time required if channel 11 is selected <sup>(4)</sup>	ADC10ON = 1, INCHx = 0Bh, Error of conversion result ≤ 1 LSB	3 V	1220			ns

(1) The sensor current I<sub>SENSOR</sub> is consumed if (ADC10ON = 1 and REFON = 1), or (ADC10ON = 1 and INCH = 0Ah and sample signal is high). When REFON = 1, I<sub>SENSOR</sub> is included in I<sub>REF+</sub>. When REFON = 0, I<sub>SENSOR</sub> applies during conversion of the temperature sensor input (INCH = 0Ah).

(2) The following formula can be used to calculate the temperature sensor output voltage:

$$V_{\text{Sensor,typ}} = TC_{\text{Sensor}} (273 + T [^{\circ}\text{C}]) + V_{\text{Offset,sensor}} [\text{mV}] \text{ or}$$

$$V_{\text{Sensor,typ}} = TC_{\text{Sensor}} T [^{\circ}\text{C}] + V_{\text{Sensor}}(T_A = 0^{\circ}\text{C}) [\text{mV}]$$

(3) No additional current is needed. The V<sub>MID</sub> is used during sampling.

(4) The on time, t<sub>VMID(on)</sub>, is included in the sampling time, t<sub>VMID(sample)</sub>; no additional on time is needed.

### 5.35 Flash Memory

over recommended ranges of supply voltage and operating free-air temperature (unless otherwise noted)

PARAMETER		TEST CONDITIONS	V <sub>CC</sub>	MIN	TYP	MAX	UNIT
V <sub>CC (PGM/ERASE)</sub>	Program and erase supply voltage			2.2		3.6	V
f <sub>FTG</sub>	Flash timing generator frequency			257		476	kHz
I <sub>PGM</sub>	Supply current from V <sub>CC</sub> during program		2.2 V, 3.6 V		1	5	mA
I <sub>ERASE</sub>	Supply current from V <sub>CC</sub> during erase		2.2 V, 3.6 V		1	7	mA
t <sub>CPT</sub>	Cumulative program time <sup>(1)</sup>		2.2 V, 3.6 V			10	ms
t <sub>CMErase</sub>	Cumulative mass erase time		2.2 V, 3.6 V	20			ms
	Program and erase endurance			10 <sup>4</sup>	10 <sup>5</sup>		cycles
t <sub>Retention</sub>	Data retention duration	T <sub>J</sub> = 25°C		100			years
t <sub>Word</sub>	Word or byte program time	(2)			30		t <sub>FTG</sub>
t <sub>Block, 0</sub>	Block program time for first byte or word	(2)			25		t <sub>FTG</sub>
t <sub>Block, 1-63</sub>	Block program time for each additional byte or word	(2)			18		t <sub>FTG</sub>
t <sub>Block, End</sub>	Block program end-sequence wait time	(2)			6		t <sub>FTG</sub>
t <sub>Mass Erase</sub>	Mass erase time	(2)			10593		t <sub>FTG</sub>
t <sub>Seg Erase</sub>	Segment erase time	(2)			4819		t <sub>FTG</sub>

(1) The cumulative program time must not be exceeded when writing to a 64-byte flash block. This parameter applies to all programming methods: individual word write, individual byte write, and block write modes.

(2) These values are hardwired into the state machine of the flash controller (t<sub>FTG</sub> = 1/f<sub>FTG</sub>).

### 5.36 RAM

over recommended ranges of supply voltage and operating free-air temperature (unless otherwise noted)

PARAMETER		TEST CONDITIONS	MIN	MAX	UNIT
V <sub>(RAMh)</sub>	RAM retention supply voltage <sup>(1)</sup>	CPU halted	1.6		V

(1) This parameter defines the minimum supply voltage V<sub>CC</sub> when the data in RAM remains unchanged. No program execution should happen during this supply voltage condition.

### 5.37 JTAG and Spy-Bi-Wire Interface

over recommended ranges of supply voltage and operating free-air temperature (unless otherwise noted)

PARAMETER		V <sub>CC</sub>	MIN	TYP	MAX	UNIT
f <sub>SBW</sub>	Spy-Bi-Wire input frequency	2.2 V	0		20	MHz
t <sub>SBW,Low</sub>	Spy-Bi-Wire low clock pulse duration	2.2 V	0.025		15	μs
t <sub>SBW,En</sub>	Spy-Bi-Wire enable time (TEST high to acceptance of first clock edge <sup>(1)</sup> )	2.2 V			1	μs
t <sub>SBW,Ret</sub>	Spy-Bi-Wire return to normal operation time	2.2 V	15		100	μs
f <sub>TCK</sub>	TCK input frequency <sup>(2)</sup>	2.2 V	0		5	MHz
R <sub>Internal</sub>	Internal pulldown resistance on TEST	2.2 V	25	60	90	kΩ

- (1) Tools accessing the Spy-Bi-Wire interface need to wait for the maximum t<sub>SBW,En</sub> time after pulling the TEST/SBWTCK pin high before applying the first SBWTCK clock edge.
- (2) f<sub>TCK</sub> may be restricted to meet the timing requirements of the module selected.

### 5.38 JTAG Fuse<sup>(1)</sup>

over recommended ranges of supply voltage and operating free-air temperature (unless otherwise noted)

PARAMETER		TEST CONDITIONS	MIN	MAX	UNIT
V <sub>CC(FB)</sub>	Supply voltage during fuse-blow condition	T <sub>A</sub> = 25°C	2.5		V
V <sub>FB</sub>	Voltage level on TEST for fuse blow		6	7	V
I <sub>FB</sub>	Supply current into TEST during fuse blow			100	mA
t <sub>FB</sub>	Time to blow fuse			1	ms

- (1) After the fuse is blown, no further access to the JTAG/Test, Spy-Bi-Wire, or emulation feature is possible, and JTAG is switched to bypass mode.

## 6 Detailed Description

### 6.1 CPU

The MSP430™ CPU has a 16-bit RISC architecture that is highly transparent to the application. All operations, other than program-flow instructions, are performed as register operations in conjunction with seven addressing modes for source operand and four addressing modes for destination operand.

The CPU is integrated with 16 registers that provide reduced instruction execution time. The register-to-register operation execution time is one cycle of the CPU clock.

Four of the registers, R0 to R3, are dedicated as program counter, stack pointer, status register, and constant generator respectively. The remaining registers are general-purpose registers.

Peripherals are connected to the CPU using data, address, and control buses and can be handled with all instructions.

Program Counter	PC/R0
Stack Pointer	SP/R1
Status Register	SR/CG1/R2
Constant Generator	CG2/R3
General-Purpose Register	R4
General-Purpose Register	R5
General-Purpose Register	R6
General-Purpose Register	R7
General-Purpose Register	R8
General-Purpose Register	R9
General-Purpose Register	R10
General-Purpose Register	R11
General-Purpose Register	R12
General-Purpose Register	R13
General-Purpose Register	R14
General-Purpose Register	R15

## 6.2 Instruction Set

The instruction set consists of 51 instructions with three formats and seven address modes. Each instruction can operate on word and byte data. [Table 6-1](#) shows examples of the three types of instruction formats; [Table 6-2](#) shows the address modes.

**Table 6-1. Instruction Word Formats**

INSTRUCTION FORMAT	EXAMPLE	OPERATION
Dual operands, source-destination	ADD R4,R5	R4 + R5 → R5
Single operands, destination only	CALL R8	PC → (TOS), R8 → PC
Relative jump, unconditional/conditional	JNE	Jump-on-equal bit = 0

**Table 6-2. Address Mode Descriptions**

ADDRESS MODE	S <sup>(1)</sup>	D <sup>(2)</sup>	SYNTAX	EXAMPLE	OPERATION
Register	✓	✓	MOV Rs,Rd	MOV R10,R11	R10 → R11
Indexed	✓	✓	MOV X(Rn),Y(Rm)	MOV 2(R5),6(R6)	M(2+R5) → M(6+R6)
Symbolic (PC relative)	✓	✓	MOV EDE,TONI		M(EDE) → M(TONI)
Absolute	✓	✓	MOV &MEM,&TCDAT		M(MEM) → M(TCDAT)
Indirect	✓		MOV @Rn,Y(Rm)	MOV @R10,Tab(R6)	M(R10) → M(Tab+R6)
Indirect autoincrement	✓		MOV @Rn+,Rm	MOV @R10+,R11	M(R10) → R11 R10 + 2 → R10
Immediate	✓		MOV #X,TONI	MOV #45,TONI	#45 → M(TONI)

(1) S = source

(2) D = destination

### 6.3 Operating Modes

The MSP430 microcontrollers have one active mode and five software-selectable low-power modes of operation. An interrupt event can wake up the device from any of the five low-power modes, service the request, and restore back to the low-power mode on return from the interrupt program.

The following six operating modes can be configured by software:

- Active mode (AM)
  - All clocks are active.
- Low-power mode 0 (LPM0)
  - CPU is disabled.
  - ACLK and SMCLK remain active.
  - MCLK is disabled.
- Low-power mode 1 (LPM1)
  - CPU is disabled.
  - ACLK and SMCLK remain active.
  - MCLK is disabled.
  - DCO dc-generator is disabled if DCO not used in active mode.
- Low-power mode 2 (LPM2)
  - CPU is disabled.
  - ACLK remains active.
  - MCLK and SMCLK are disabled.
  - DCO dc-generator remains enabled.
- Low-power mode 3 (LPM3)
  - CPU is disabled.
  - ACLK remains active.
  - MCLK and SMCLK are disabled.
  - DCO dc-generator is disabled.
- Low-power mode 4 (LPM4)
  - CPU is disabled.
  - ACLK, MCLK, and SMCLK are disabled.
  - DCO dc-generator is disabled.
  - Crystal oscillator is stopped.



## 6.4 Interrupt Vector Addresses

The interrupt vectors and the power-up starting address are located in the address range of 0FFFFh to 0FFC0h. The vector contains the 16-bit address of the appropriate interrupt handler instruction sequence.

If the reset vector (located at address 0FFFEh) contains 0FFFFh (for example, if flash is not programmed), the CPU goes into LPM4 immediately after power up.

**Table 6-3. Interrupt Vector Addresses**

INTERRUPT SOURCE	INTERRUPT FLAG	SYSTEM INTERRUPT	WORD ADDRESS	PRIORITY
Power-up External reset Watchdog Flash key violation PC out-of-range <sup>(1)</sup>	PORIFG RSTIFG WDTIFG KEYV <sup>(2)</sup>	Reset	0FFFEh	31, highest
NMI Oscillator fault Flash memory access violation	NMIIFG OFIFG ACCVIFG <sup>(2)(3)</sup>	(non)-maskable, (non)-maskable, (non)-maskable	0FFFCh	30
Timer_B3	TBCCR0 CCIFG <sup>(4)</sup>	maskable	0FFFAh	29
Timer_B3	TBCCR1 and TBCCR2 CCIFGs, TBIFG <sup>(2)(4)</sup>	maskable	0FFF8h	28
			0FFF6h	27
Watchdog Timer	WDTIFG	maskable	0FFF4h	26
Timer_A3	TACCR0 CCIFG <sup>(3)</sup>	maskable	0FFF2h	25
Timer_A3	TACCR1 CCIFG TACCR2 CCIFG TAIFG <sup>(2)(4)</sup>	maskable	0FFF0h	24
USCI_A0 or USCI_B0 Receive	UCA0RXIFG, UCB0RXIFG <sup>(2)</sup>	maskable	0FFEEh	23
USCI_A0 or USCI_B0 Transmit	UCA0TXIFG, UCB0TXIFG <sup>(2)</sup>	maskable	0FFECh	22
ADC10	ADC10IFG <sup>(4)</sup>	maskable	0FFEAh	21
			0FFE8h	20
I/O Port P2 (eight flags)	P2IFG.0 to P2IFG.7 <sup>(2)(4)</sup>	maskable	0FFE6h	19
I/O Port P1 (eight flags)	P1IFG.0 to P1IFG.7 <sup>(2)(4)</sup>	maskable	0FFE4h	18
			0FFE2h	17
			0FFE0h	16
<sup>(5)</sup>			0FFDEh	15
<sup>(6)</sup>			0FFDCh to 0FFC0h	14 to 0, lowest

(1) A reset is generated if the CPU tries to fetch instructions from within the module register memory address range (0h to 01FFh) or from within unused address range.

(2) Multiple source flags

(3) (non)-maskable: the individual interrupt-enable bit can disable an interrupt event, but the general interrupt enable cannot. Nonmaskable: neither the individual nor the general interrupt-enable bit will disable an interrupt event.

(4) Interrupt flags are located in the module.

(5) This location is used as bootstrap loader security key (BSLSKEY).

A 0AA55h at this location disables the BSL completely.


A zero (0h) disables the erasure of the flash if an invalid password is supplied.

(6) The interrupt vectors at addresses 0FFDCh to 0FFC0h are not used in this device and can be used for regular program code if necessary.

## 6.5 Special Function Registers

Most interrupt and module enable bits are collected into the lowest address space. Special function register bits not allocated to a functional purpose are not physically present in the device. Simple software access is provided with this arrangement.

### Legend

rw	Bit can be read and written.
rw-0, 1	Bit can be read and written. It is Reset or Set by PUC.
rw-(0), (1)	Bit can be read and written. It is Reset or Set by POR.
	SFR bit is not present in device.

**Table 6-4. Interrupt Enable 1**

Address	7	6	5	4	3	2	1	0
00h			ACCVIE	NMIIE			OFIE	WDTIE
			rw-0	rw-0			rw-0	rw-0

WDTIE	Watchdog timer interrupt enable. Inactive if watchdog mode is selected. Active if watchdog timer is configured in interval timer mode.
OFIE	Oscillator fault interrupt enable
NMIIE	(Non)maskable interrupt enable
ACCVIE	Flash access violation interrupt enable

**Table 6-5. Interrupt Enable 2**

Address	7	6	5	4	3	2	1	0
01h					UCB0TXIE	UCB0RXIE	UCA0TXIE	UCA0RXIE
					rw-0	rw-0	rw-0	rw-0

UCA0RXIE	USCI_A0 receive-interrupt enable
UCA0TXIE	USCI_A0 transmit-interrupt enable
UCB0RXIE	USCI_B0 receive-interrupt enable
UCB0TXIE	USCI_B0 transmit-interrupt enable

**Table 6-6. Interrupt Flag Register 1**

Address	7	6	5	4	3	2	1	0
02h				NMIIFG	RSTIFG	PORIFG	OFIFG	WDTIFG
				rw-0	rw-(0)	rw-(1)	rw-1	rw-(0)

WDTIFG	Set on watchdog timer overflow (in watchdog mode) or security key violation. Reset on V <sub>CC</sub> power-up or a reset condition at $\overline{\text{RST}}$ /NMI pin in reset mode.
OFIFG	Flag set on oscillator fault
RSTIFG	External reset interrupt flag. Set on a reset condition at $\overline{\text{RST}}$ /NMI pin in reset mode. Reset on V <sub>CC</sub> power up.
PORIFG	Power-on reset interrupt flag. Set on V <sub>CC</sub> power up.
NMIIFG	Set via $\overline{\text{RST}}$ /NMI pin

**Table 6-7. Interrupt Flag Register 2**

Address	7	6	5	4	3	2	1	0
03h					UCB0TXIFG	UCB0RXIFG	UCA0TXIFG	UCA0RXIFG
					rw-1	rw-0	rw-1	rw-0

UCA0RXIFG	USCI_A0 receive interrupt flag
UCA0TXIFG	USCI_A0 transmit interrupt flag
UCB0RXIFG	USCI_B0 receive interrupt flag
UCB0TXIFG	USCI_B0 transmit interrupt flag

## 6.6 Memory Organization

**Table 6-8. Memory Organization**

		<b>MSP430G2444</b>	<b>MSP430G2544</b>	<b>MSP430G2744</b>
Memory Main: interrupt vector Main: code memory	Size Flash Flash	8KB Flash 0FFFFh-0FFC0h 0FFFFh-0E000h	16KB Flash 0FFFFh-0FFC0h 0FFFFh-0C000h	32KB Flash 0FFFFh-0FFC0h 0FFFFh-08000h
Information memory	Size Flash	256 Byte 010FFh-01000h	256 Byte 010FFh-01000h	256 Byte 010FFh-01000h
Boot memory	Size ROM	1KB 0FFFh-0C00h	1KB 0FFFh-0C00h	1KB 0FFFh-0C00h
RAM	Size	512 Byte 03FFh-0200h	512 Byte 03FFh-0200h	1KB 05FFh-0200h
Peripherals	16-bit 8-bit 8-bit SFR	01FFh-0100h 0FFh-010h 0Fh-00h	01FFh-0100h 0FFh-010h 0Fh-00h	01FFh-0100h 0FFh-010h 0Fh-00h

## 6.7 Bootstrap Loader (BSL)

The MSP430 bootstrap loader (BSL) enables users to program the flash memory or RAM using a UART serial interface. Access to the MSP430 memory via the BSL is protected by user-defined password. For complete description of the features of the BSL and its implementation, see the *MSP430 Programming Via the Bootstrap Loader User's Guide* ([SLAU319](#)).

**Table 6-9. BSL Function Pins**

<b>BSL FUNCTION</b>	<b>DA PACKAGE PINS</b>	<b>RHA PACKAGE PINS</b>	<b>YFF PACKAGE PINS</b>
Data transmit	32 - P1.1	30 - P1.1	G3 - P1.1
Data receive	10 - P2.2	8 - P2.2	A5 - P2.2

## 6.8 Flash Memory

The flash memory can be programmed via the JTAG port, the bootstrap loader, or in-system by the CPU. The CPU can perform single-byte and single-word writes to the flash memory. Features of the flash memory include:

- Flash memory has  $n$  segments of main memory and four segments of information memory (A to D) of 64 bytes each. Each segment in main memory is 512 bytes in size.
- Segments 0 to  $n$  may be erased in one step, or each segment may be individually erased.
- Segments A to D can be erased individually, or as a group with segments 0 to  $n$ . Segments A to D are also called *information memory*.
- Segment A contains calibration data. After reset, segment A is protected against programming and erasing. It can be unlocked, but care should be taken not to erase this segment if the device-specific calibration data is required.

## 6.9 Peripherals

Peripherals are connected to the CPU through data, address, and control buses and can be handled using all instructions. For complete module descriptions, see the *MSP430x2xx Family User's Guide* ([SLAU144](#)).

## 6.10 Oscillator and System Clock

The clock system is supported by the basic clock module that includes support for a 32768-Hz watch crystal oscillator, an internal very-low-power low-frequency oscillator, an internal digitally-controlled oscillator (DCO), and a high-frequency crystal oscillator. The basic clock module is designed to meet the requirements of both low system cost and low power consumption. The internal DCO provides a fast turn-on clock source and stabilizes in less than 1  $\mu$ s. The basic clock module provides the following clock signals:

- Auxiliary clock (ACLK), sourced from a 32768-Hz watch crystal, a high-frequency crystal, or the internal very-low-power LF oscillator.
- Main clock (MCLK), the system clock used by the CPU.
- Sub-Main clock (SMCLK), the sub-system clock used by the peripheral modules.

**Table 6-10. DCO Calibration Data  
(Provided From Factory in Flash Information Memory Segment A)**

DCO FREQUENCY	CALIBRATION REGISTER	SIZE	ADDRESS
1 MHz	CALBC1_1MHZ	byte	010FFh
	CALDCO_1MHZ	byte	010FEh
8 MHz	CALBC1_8MHZ	byte	010FDh
	CALDCO_8MHZ	byte	010FCh
12 MHz	CALBC1_12MHZ	byte	010FBh
	CALDCO_12MHZ	byte	010FAh
16 MHz	CALBC1_16MHZ	byte	010F9h
	CALDCO_16MHZ	byte	010F8h

## 6.11 Brownout

The brownout circuit is implemented to provide the proper internal reset signal to the device during power on and power off.

## 6.12 Digital I/O

There are four 8-bit I/O ports implemented—ports P1, P2, P3, and P4:

- All individual I/O bits are independently programmable.
- Any combination of input, output, and interrupt condition is possible.
- Edge-selectable interrupt input capability for all eight bits of port P1 and P2.
- Read and write access to port-control registers is supported by all instructions.
- Each I/O has an individually programmable pullup or pulldown resistor.

## 6.13 Watchdog Timer (WDT+)

The primary function of the WDT+ module is to perform a controlled system restart after a software problem occurs. If the selected time interval expires, a system reset is generated. If the watchdog function is not needed in an application, the module can be disabled or configured as an interval timer and can generate interrupts at selected time intervals.

## 6.14 Timer\_A3

Timer\_A3 is a 16-bit timer/counter with three capture/compare registers. Timer\_A3 can support multiple capture/comparers, PWM outputs, and interval timing. Timer\_A3 also has extensive interrupt capabilities. Interrupts may be generated from the counter on overflow conditions and from each of the capture/compare registers.

**Table 6-11. Timer\_A3 Signal Connections**

INPUT PIN NUMBER				DEVICE INPUT SIGNAL	MODULE INPUT NAME	MODULE BLOCK	MODULE OUTPUT SIGNAL	OUTPUT PIN NUMBER			
DA	N	RHA	YFF					DA	N	RHA	YFF
31 - P1.0	33 - P1.0	29 - P1.0	F2 - P1.0	TACLK	TACLK	Timer	NA				
				ACLK	ACLK						
				SMCLK	SMCLK						
9 - P2.1	11 - P2.1	7 - P2.1	B4 - P2.1	TAINCLK	INCLK						
32 - P1.1	34 - P1.1	30 - P1.1	G2 - P1.1	TA0	CCI0A	CCR0	TA0	32 - P1.1	34 - P1.1	30 - P1.1	G2 - P1.1
10 - P2.2	12 - P2.2	8 - P2.2	A5 - P2.2	TA0	CCI0B			10 - P2.2	12 - P2.2	8 - P2.2	A5 - P2.2
				V <sub>SS</sub>	GND			36 - P1.5	38 - P1.5	34 - P1.5	E1 - P1.5
				V <sub>CC</sub>	V <sub>CC</sub>						
33 - P1.2	35 - P1.2	31 - P1.2	E2 - P1.2	TA1	CCI1A	CCR1	TA1	33 - P1.2	35 - P1.2	31 - P1.2	E2 - P1.2
29 - P2.3	31 - P2.3	27 - P2.3	F3 - P2.3	TA1	CCI1B			29 - P2.3	31 - P2.3	27 - P2.3	F3 - P2.3
				V <sub>SS</sub>	GND			37 - P1.6	39 - P1.6	35 - P1.6	E3 - P1.6
				V <sub>CC</sub>	V <sub>CC</sub>						
34 - P1.3	36 - P1.3	32 - P1.3	G1 - P1.3	TA2	CCI2A	CCR2	TA2	34 - P1.3	36 - P1.3	32 - P1.3	G1 - P1.3
				ACLK (internal)	CCI2B			30 - P2.4	32 - P2.4	28 - P2.4	G3 - P2.4
				V <sub>SS</sub>	GND			38 - P1.7	40 - P1.7	36 - P1.7	D2 - P1.7
				V <sub>CC</sub>	V <sub>CC</sub>						

## 6.15 Timer\_B3

Timer\_B3 is a 16-bit timer/counter with three capture/compare registers. Timer\_B3 can support multiple capture/compares, PWM outputs, and interval timing. Timer\_B3 also has extensive interrupt capabilities. Interrupts may be generated from the counter on overflow conditions and from each of the capture/compare registers.

**Table 6-12. Timer\_B3 Signal Connections**

INPUT PIN NUMBER				DEVICE INPUT SIGNAL	MODULE INPUT NAME	MODULE BLOCK	MODULE OUTPUT SIGNAL	OUTPUT PIN NUMBER			
DA	N	RHA	YFF					DA	N	RHA	YFF
24 - P4.7	26 - P4.7	22 - P4.7	F5 - P4.7	TBCLK	TBCLK	Timer	NA				
				ACLK	ACLK						
				SMCLK	SMCLK						
24 - P4.7	26 - P4.7	22 - P4.7	F5 - P4.7	TBCLK	INCLK						
17 - P4.0	19 - P4.0	15 - P4.0	D6 - P4.0	TB0	CCI0A	CCR0	TB0	17 - P4.0	19 - P4.0	15 - P4.0	D6 - P4.0
20 - P4.3	22 - P4.3	18 - P4.3	E7 - P4.3	TB0	CCI0B			20 - P4.3	22 - P4.3	18 - P4.3	E7 - P4.3
				V <sub>SS</sub>	GND						
				V <sub>CC</sub>	V <sub>CC</sub>						
18 - P4.1	21 - P4.1	16 - P4.1	D7 - P4.1	TB1	CCI1A	CCR1	TB1	18 - P4.1	20 - P4.1	16 - P4.1	D7 - P4.1
21 - P4.4	23 - P4.4	19 - P4.4	F7 - P4.4	TB1	CCI1B			21 - P4.4	23 - P4.4	19 - P4.4	F7 - P4.4
				V <sub>SS</sub>	GND						
				V <sub>CC</sub>	V <sub>CC</sub>						
19 - P4.2	21 - P4.2	17 - P4.2	E6 - P4.2	TB2	CCI2A	CCR2	TB2	19 - P4.2	21 - P4.2	17 - P4.2	E6 - P4.2
				ACLK (internal)	CCI2B			22 - P4.5	24 - P4.5	20 - P4.5	F6 - P4.5
				V <sub>SS</sub>	GND						
				V <sub>CC</sub>	V <sub>CC</sub>						

## 6.16 Universal Serial Communications Interface (USCI)

The USCI module is used for serial data communication. The USCI module supports synchronous communication protocols like SPI (3 or 4 pin), I2C and asynchronous communication protocols such as UART, enhanced UART with automatic baudrate detection (LIN), and IrDA.

USCI\_A0 provides support for SPI (3 or 4 pin), UART, enhanced UART, and IrDA.

USCI\_B0 provides support for SPI (3 or 4 pin) and I2C.

## 6.17 ADC10

The ADC10 module supports fast, 10-bit analog-to-digital conversions. The module implements a 10-bit SAR core, sample select control, reference generator and data transfer controller, or DTC, for automatic conversion result handling allowing ADC samples to be converted and stored without any CPU intervention.

## 6.18 Peripheral File Map

Table 6-13 lists the peripheral registers that have word access, and Table 6-14 lists the peripheral registers that have byte access.

**Table 6-13. Peripherals With Word Access**

MODULE	REGISTER NAME	ACRONYM	ADDRESS OFFSET
<b>ADC10</b>	ADC data transfer start address	ADC10SA	1BCh
	ADC memory	ADC10MEM	1B4h
	ADC control register 1	ADC10CTL1	1B2h
	ADC control register 0	ADC10CTL0	1B0h
	ADC analog enable 0	ADC10AE0	04Ah
	ADC analog enable 1	ADC10AE1	04Bh
	ADC data transfer control register 1	ADC10DTC1	049h
	ADC data transfer control register 0	ADC10DTC0	048h
<b>Timer_B</b>	Capture/compare register	TBCCR2	0196h
	Capture/compare register	TBCCR1	0194h
	Capture/compare register	TBCCR0	0192h
	Timer_B register	TBR	0190h
	Capture/compare control	TBCCTL2	0186h
	Capture/compare control	TBCCTL1	0184h
	Capture/compare control	TBCCTL0	0182h
	Timer_B control	TBCTL	0180h
	Timer_B interrupt vector	TBIV	011Eh
<b>Timer_A</b>	Capture/compare register	TACCR2	0176h
	Capture/compare register	TACCR1	0174h
	Capture/compare register	TACCR0	0172h
	Timer_A register	TAR	0170h
	Capture/compare control	TACCTL2	0166h
	Capture/compare control	TACCTL1	0164h
	Capture/compare control	TACCTL0	0162h
	Timer_A control	TACTL	0160h
	Timer_A interrupt vector	TAIV	012Eh
<b>Flash Memory</b>	Flash control 3	FCTL3	012Ch
	Flash control 2	FCTL2	012Ah
	Flash control 1	FCTL1	0128h
<b>Watchdog Timer+</b>	Watchdog/timer control	WDTCTL	0120h

**Table 6-14. Peripherals With Byte Access**

MODULE	REGISTER NAME	ACRONYM	ADDRESS OFFSET
<b>USCI_B0</b>	USCI_B0 transmit buffer	UCB0TXBUF	06Fh
	USCI_B0 receive buffer	UCB0RXBUF	06Eh
	USCI_B0 status	UCB0STAT	06Dh
	USCI_B0 bit rate control 1	UCB0BR1	06Bh
	USCI_B0 bit rate control 0	UCB0BR0	06Ah
	USCI_B0 control 1	UCB0CTL1	069h
	USCI_B0 control 0	UCB0CTL0	068h
	USCI_B0 I2C slave address	UCB0SA	011Ah
	USCI_B0 I2C own address	UCB0OA	0118h
<b>USCI_A0</b>	USCI_A0 transmit buffer	UCA0TXBUF	067h
	USCI_A0 receive buffer	UCA0RXBUF	066h
	USCI_A0 status	UCA0STAT	065h
	USCI_A0 modulation control	UCA0MCTL	064h
	USCI_A0 baud rate control 1	UCA0BR1	063h
	USCI_A0 baud rate control 0	UCA0BR0	062h
	USCI_A0 control 1	UCA0CTL1	061h
	USCI_A0 control 0	UCA0CTL0	060h
	USCI_A0 IrDA receive control	UCA0IRRCTL	05Fh
	USCI_A0 IrDA transmit control	UCA0IRTCTL	05Eh
	USCI_A0 auto baud rate control	UCA0ABCTL	05Dh
	<b>Basic Clock System+</b>	Basic clock system control 3	BCSCTL3
Basic clock system control 2		BCSCTL2	058h
Basic clock system control 1		BCSCTL1	057h
DCO clock frequency control		DCOCTL	056h
<b>Port P4</b>	Port P4 resistor enable	P4REN	011h
	Port P4 selection	P4SEL	01Fh
	Port P4 direction	P4DIR	01Eh
	Port P4 output	P4OUT	01Dh
	Port P4 input	P4IN	01Ch
<b>Port P3</b>	Port P3 resistor enable	P3REN	010h
	Port P3 selection	P3SEL	01Bh
	Port P3 direction	P3DIR	01Ah
	Port P3 output	P3OUT	019h
	Port P3 input	P3IN	018h
<b>Port P2</b>	Port P2 resistor enable	P2REN	02Fh
	Port P2 selection	P2SEL	02Eh
	Port P2 interrupt enable	P2IE	02Dh
	Port P2 interrupt edge select	P2IES	02Ch
	Port P2 interrupt flag	P2IFG	02Bh
	Port P2 direction	P2DIR	02Ah
	Port P2 output	P2OUT	029h
	Port P2 input	P2IN	028h



**Table 6-14. Peripherals With Byte Access (continued)**

MODULE	REGISTER NAME	ACRONYM	ADDRESS OFFSET
<b>Port P1</b>	Port P1 resistor enable	P1REN	027h
	Port P1 selection	P1SEL	026h
	Port P1 interrupt enable	P1IE	025h
	Port P1 interrupt edge select	P1IES	024h
	Port P1 interrupt flag	P1IFG	023h
	Port P1 direction	P1DIR	022h
	Port P1 output	P1OUT	021h
	Port P1 input	P1IN	020h
<b>Special Function</b>	SFR interrupt flag 2	IFG2	003h
	SFR interrupt flag 1	IFG1	002h
	SFR interrupt enable 2	IE2	001h
	SFR interrupt enable 1	IE1	000h

## 6.19 Port Schematics

### 6.19.1 Port P1 Pin Schematic: P1.0 to P1.3, Input/Output With Schmitt Trigger

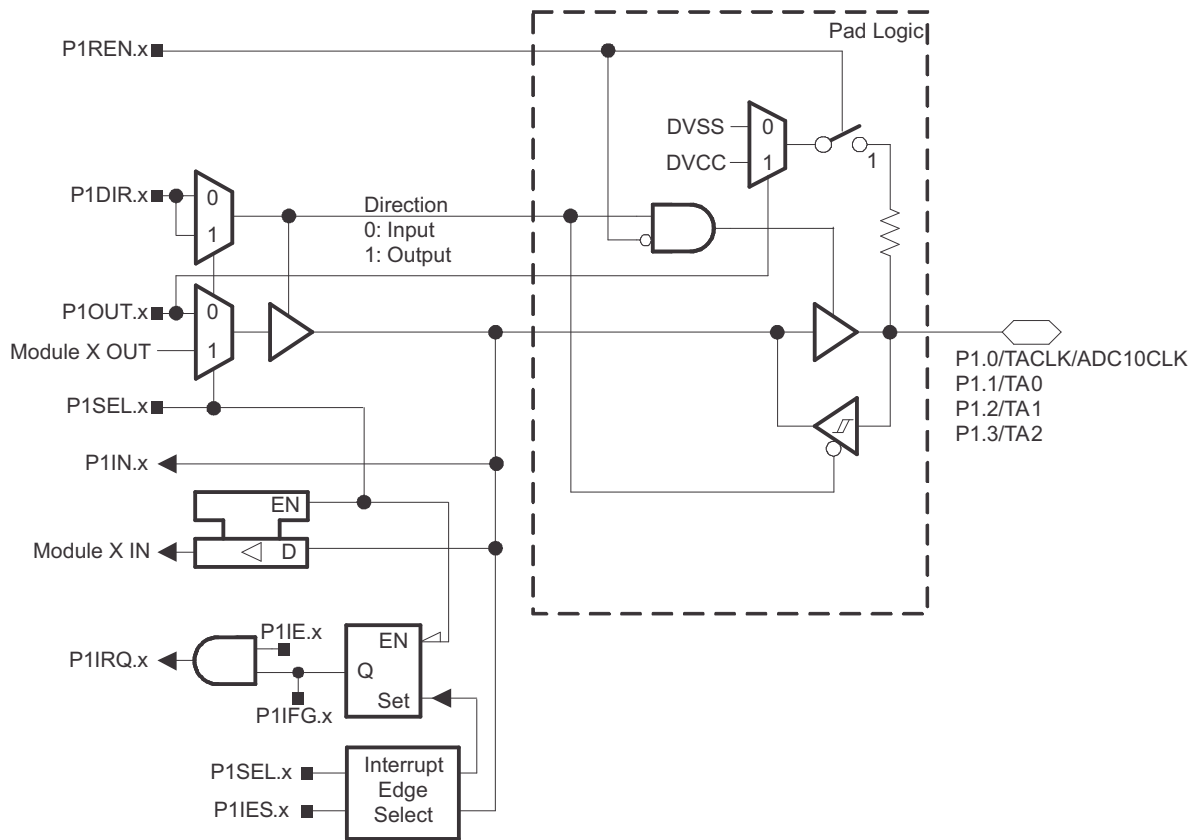
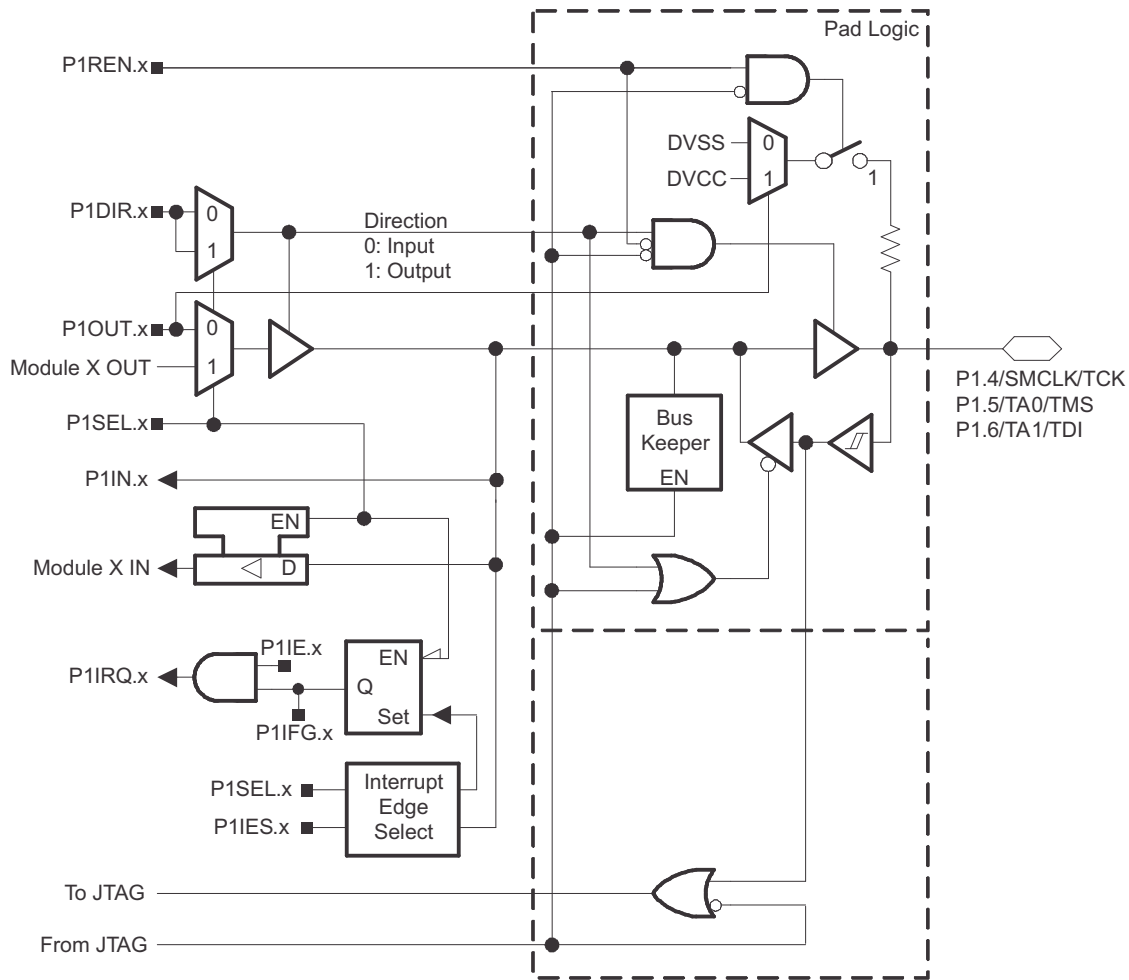


Table 6-15. Port P1 (P1.0 to P1.3) Pin Functions

PIN NAME (P1.x)	x	FUNCTION	CONTROL BITS OR SIGNALS	
			P1DIR.x	P1SEL.x
P1.0/TACLK/ADC10CLK	0	P1.0 <sup>(1)</sup>	I: 0; O: 1	0
		Timer_A3.TACLK	0	1
		ADC10CLK	1	1
P1.1/TA0	1	P1.1 <sup>(1)</sup> (I/O)	I: 0; O: 1	0
		Timer_A3.CCI0A	0	1
		Timer_A3.TA0	1	1
P1.2/TA1	2	P1.2 <sup>(1)</sup> (I/O)	I: 0; O: 1	0
		Timer_A3.CCI1A	0	1
		Timer_A3.TA1	1	1
P1.3/TA2	3	P1.3 <sup>(1)</sup> (I/O)	I: 0; O: 1	0
		Timer_A3.CCI2A	0	1
		Timer_A3.TA2	1	1

(1) Default after reset (PUC, POR)

**6.19.2 Port P1 Pin Schematic: P1.4 to P1.6, Input/Output With Schmitt Trigger and In-System Access Features**



**Table 6-16. Port P1 (P1.4 to P1.6) Pin Functions**

PIN NAME (P1.x)	x	FUNCTION	CONTROL BITS OR SIGNALS <sup>(1)</sup>		
			P1DIR.x	P1SEL.x	4-Wire JTAG
P1.4/SMCLK/TCK	4	P1.4 <sup>(2)</sup> (I/O)	I: 0; O: 1	0	0
		SMCLK	1	1	0
		TCK	X	X	1
P1.5/TA0/TMS	5	P1.5 <sup>(2)</sup> (I/O)	I: 0; O: 1	0	0
		Timer_A3.TA0	1	1	0
		TMS	X	X	1
P1.6/TA1/TDI/TCLK	6	P1.6 <sup>(2)</sup> (I/O)	I: 0; O: 1	0	0
		Timer_A3.TA1	1	1	0
		TDI/TCLK <sup>(3)</sup>	X	X	1

(1) X = Don't care

(2) Default after reset (PUC, POR)

(3) Function controlled by JTAG

### 6.19.3 Port P1 Pin Schematic: P1.7, Input/Output With Schmitt Trigger and In-System Access Features

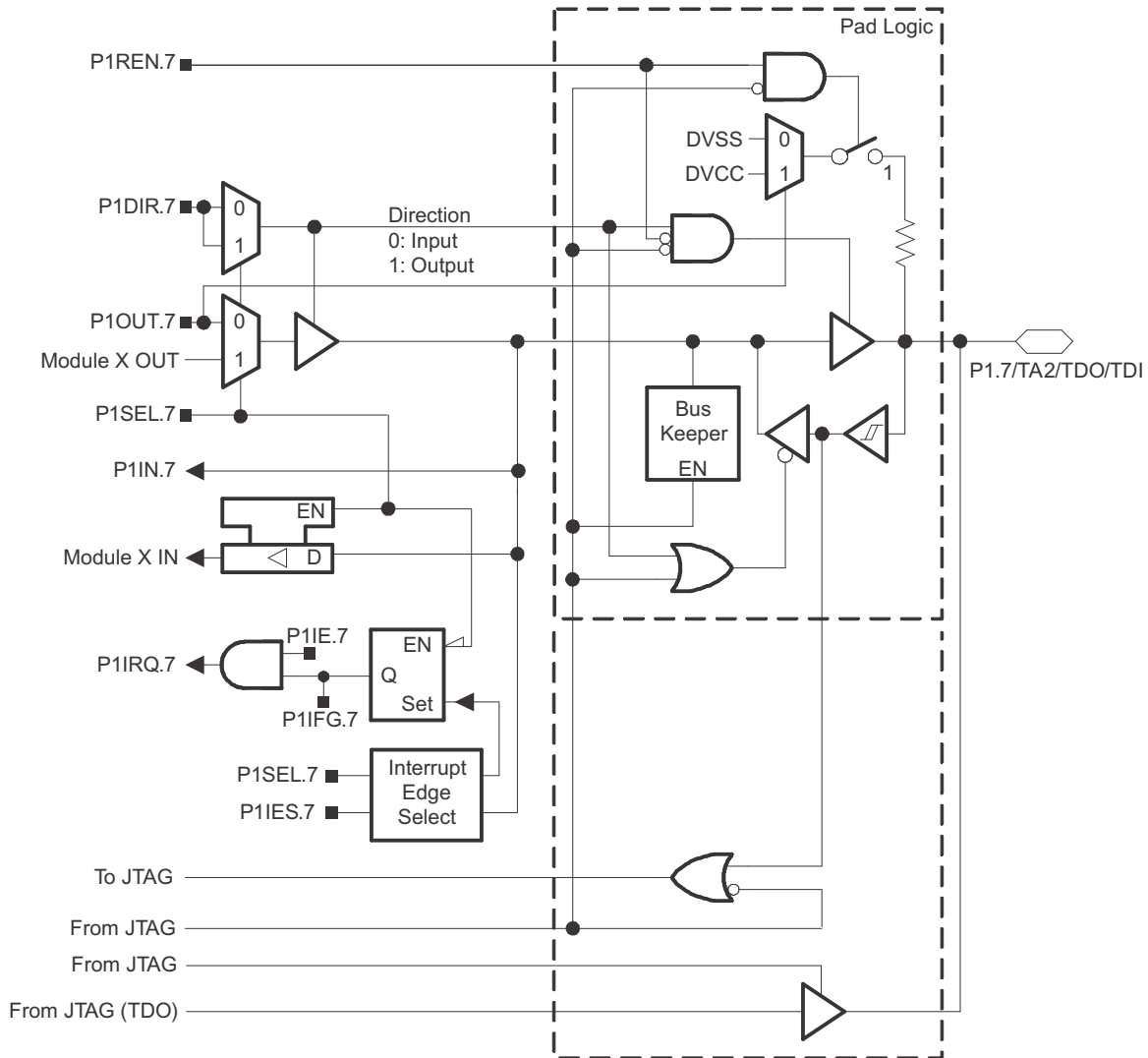


Table 6-17. Port P1 (P1.7) Pin Functions

PIN NAME (P1.x)	x	FUNCTION	CONTROL BITS OR SIGNALS <sup>(1)</sup>		
			P1DIR.x	P1SEL.x	4-Wire JTAG
P1.7/TA2/TDO/TDI	7	P1.7 <sup>(2)</sup> (I/O)	I: 0; O: 1	0	0
		Timer_A3.TA2	1	1	0
		TDO/TDI <sup>(3)</sup>	X	X	1

(1) X = Don't care

(2) Default after reset (PUC, POR)

(3) Function controlled by JTAG

6.19.4 Port P2 Pin Schematic: P2.0, P2.2, Input/Output With Schmitt Trigger

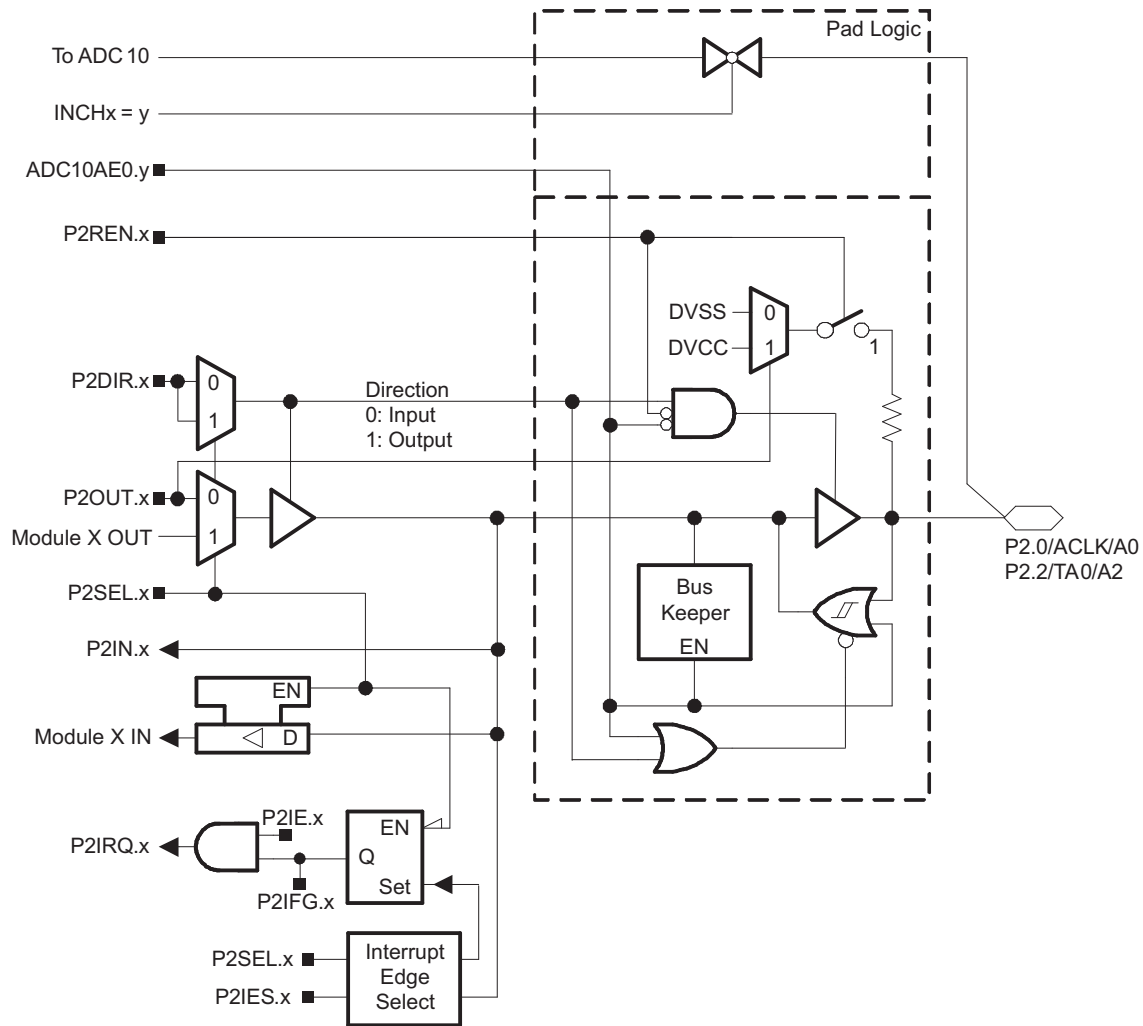


Table 6-18. Port P2 (P2.0, P2.2) Pin Functions

Pin Name (P2.x)	x	y	FUNCTION	CONTROL BITS OR SIGNALS <sup>(1)</sup>		
				P2DIR.x	P2SEL.x	ADC10AE0.y
P2.0/ACLK/A0	0	0	P2.0 <sup>(2)</sup> (I/O)	I: 0; O: 1	0	0
			ACLK	1	1	0
			A0 <sup>(3)</sup>	X	X	1
P2.2/TA0/A2	2	2	P2.2 <sup>(2)</sup> (I/O)	I: 0; O: 1	0	0
			Timer_A3.CCI0B	0	1	0
			Timer_A3.TA0	1	1	0
			A2 <sup>(3)</sup>	X	X	1

(1) X = Don't care

(2) Default after reset (PUC, POR)

(3) Setting the ADC10AE0.y bit disables the output driver and the input Schmitt trigger to prevent parasitic cross currents when applying analog signals.

### 6.19.5 Port P2 Pin Schematic: P2.1, Input/Output With Schmitt Trigger

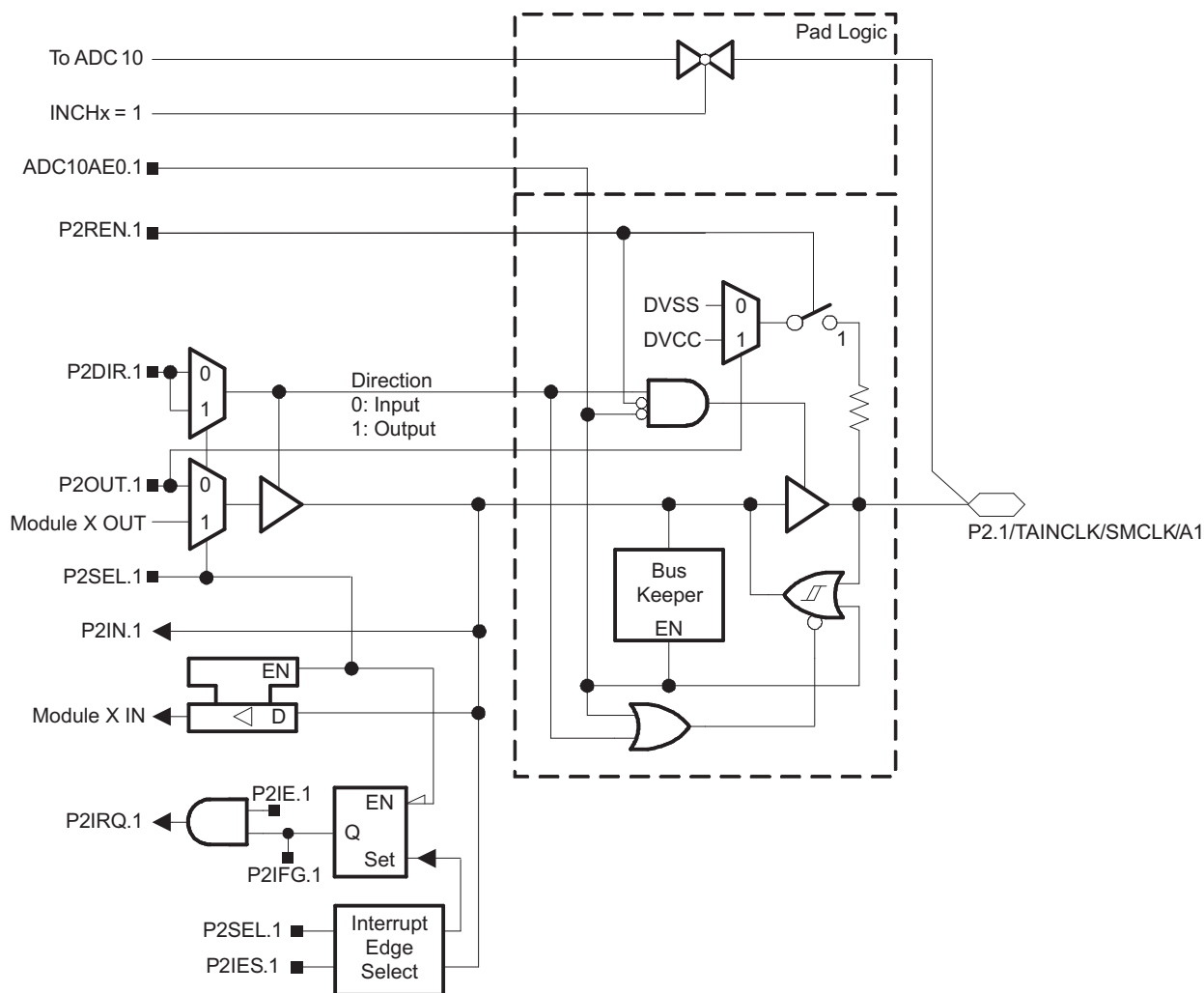


Table 6-19. Port P2 (P2.1) Pin Functions

PIN NAME (P2.x)	x	y	FUNCTION	CONTROL BITS OR SIGNALS <sup>(1)</sup>		
				P2DIR.x	P2SEL.x	ADC10AE0.y
P2.1/TAINCLK/ SMCLK/A1	1	1	P2.1 <sup>(2)</sup> (I/O)	I: 0; O: 1	0	0
			Timer_A3.INCLK	0	1	0
			SMCLK	1	1	0
			A1 <sup>(3)</sup>	X	X	1

(1) X = Don't care

(2) Default after reset (PUC, POR)

(3) Setting the ADC10AE0.y bit disables the output driver and the input Schmitt trigger to prevent parasitic cross currents when applying analog signals.

6.19.6 Port P2 Pin Schematic: P2.3, Input/Output With Schmitt Trigger

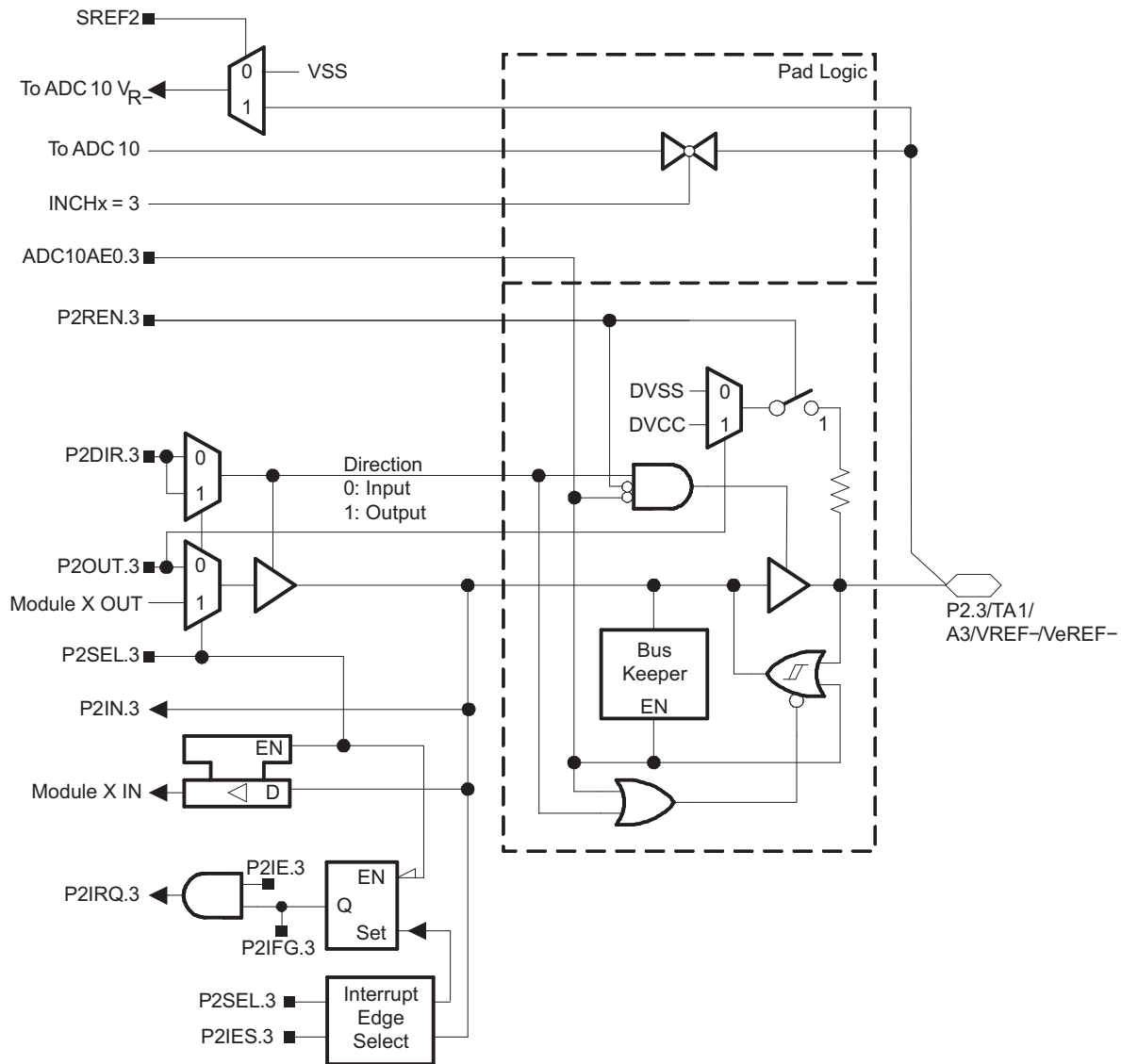


Table 6-20. Port P2 (P2.3) Pin Functions

PIN NAME (P2.x)	x	y	FUNCTION	CONTROL BITS OR SIGNALS <sup>(1)</sup>		
				P2DIR.x	P2SEL.x	ADC10AE0.y
P2.3/TA1/A3/ VREF- /VeREF-	3	3	P2.3 <sup>(2)</sup> (I/O)	I: 0; O: 1	0	0
			Timer_A3.CC1B	0	1	0
			Timer_A3.TA1	1	1	0
			A3/VREF-/VeREF- <sup>(3)</sup>	X	X	1

(1) X = Don't care

(2) Default after reset (PUC, POR)

(3) Setting the ADC10AE0.y bit disables the output driver and the input Schmitt trigger to prevent parasitic cross currents when applying analog signals.

### 6.19.7 Port P2 Pin Schematic: P2.4, Input/Output With Schmitt Trigger

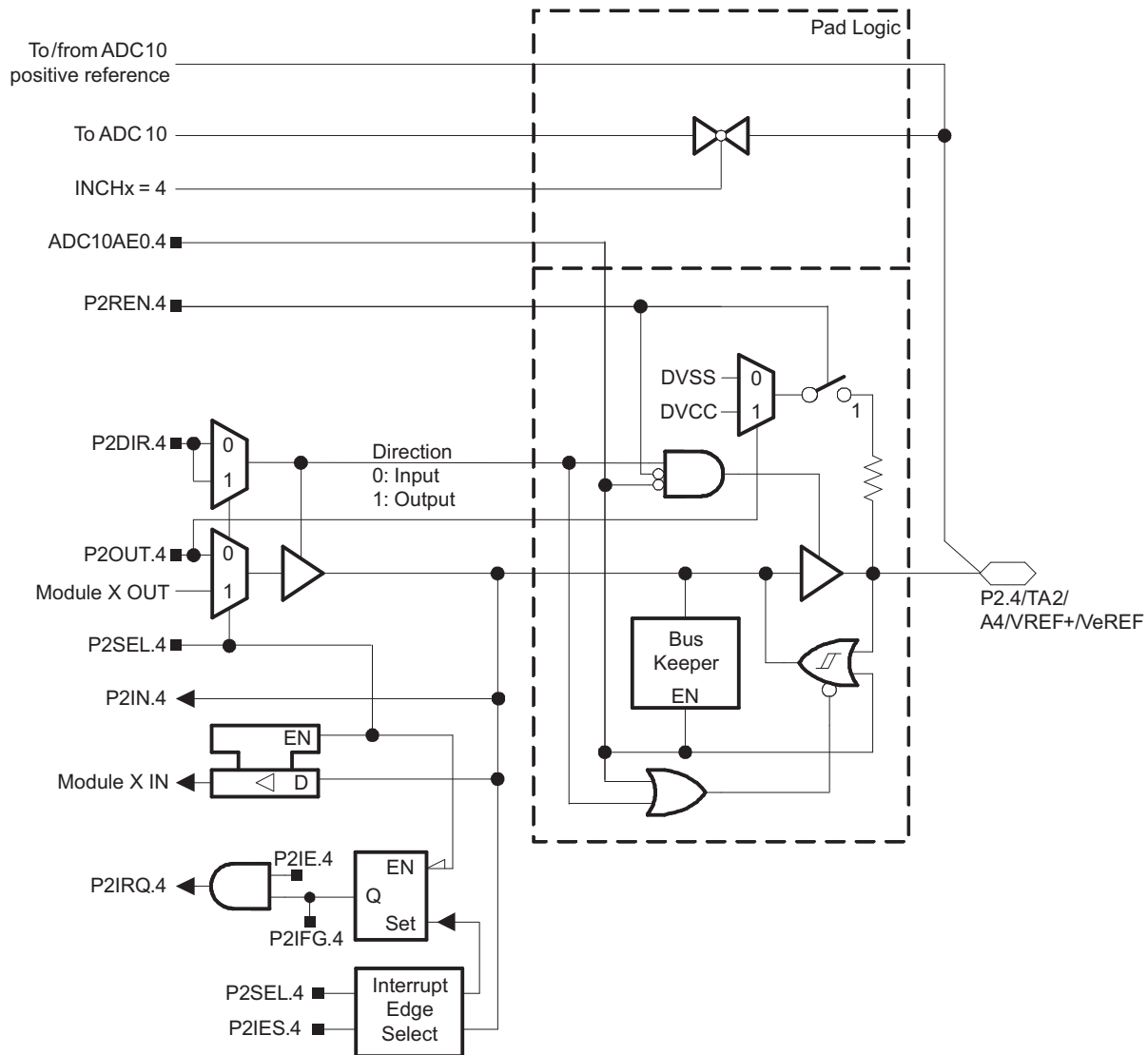


Table 6-21. Port P2 (P2.4) Pin Functions

PIN NAME (P2.x)	x	y	FUNCTION	CONTROL BITS OR SIGNALS <sup>(1)</sup>		
				P2DIR.x	P2SEL.x	ADC10AE0.y
P2.4/TA2/A4/VREF+/VeREF+	4	4	P2.4 <sup>(2)</sup> (I/O)	I: 0; O: 1	0	0
			Timer_A3.TA2	1	1	0
			A4/VREF+/VeREF+ <sup>(3)</sup>	X	X	1

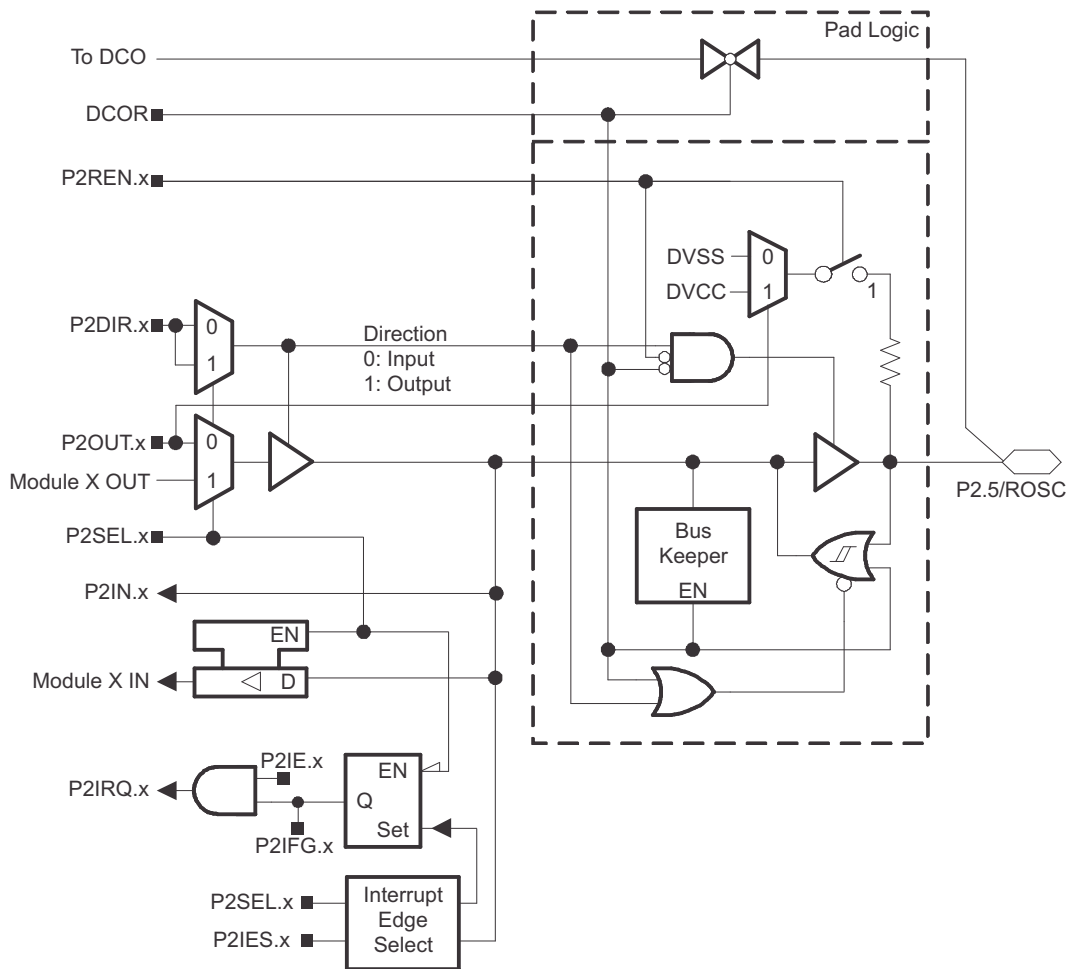
(1) X = Don't care

(2) Default after reset (PUC, POR)

(3) Setting the ADC10AE0.y bit disables the output driver and the input Schmitt trigger to prevent parasitic cross currents when applying analog signals.



**6.19.8 Port P2 Pin Schematic: P2.5, Input/Output With Schmitt Trigger and External R<sub>OSC</sub> for DCO**



**Table 6-22. Port P2 (P2.5) Pin Functions**

PIN NAME (P2.x)	x	FUNCTION	CONTROL BITS OR SIGNALS <sup>(1)</sup>		
			P2DIR.x	P2SEL.x	DCOR
P2.5/R <sub>osc</sub>	5	P2.5 <sup>(2)</sup> (I/O)	I: 0; O: 1	0	0
		N/A <sup>(3)</sup>	0	1	0
		DV <sub>SS</sub>	1	1	0
		R <sub>osc</sub>	X	X	1

(1) X = Don't care

(2) Default after reset (PUC, POR)

(3) N/A = Not available or not applicable

### 6.19.9 Port P2 Pin Schematic: P2.6, Input/Output With Schmitt Trigger and Crystal Oscillator Input

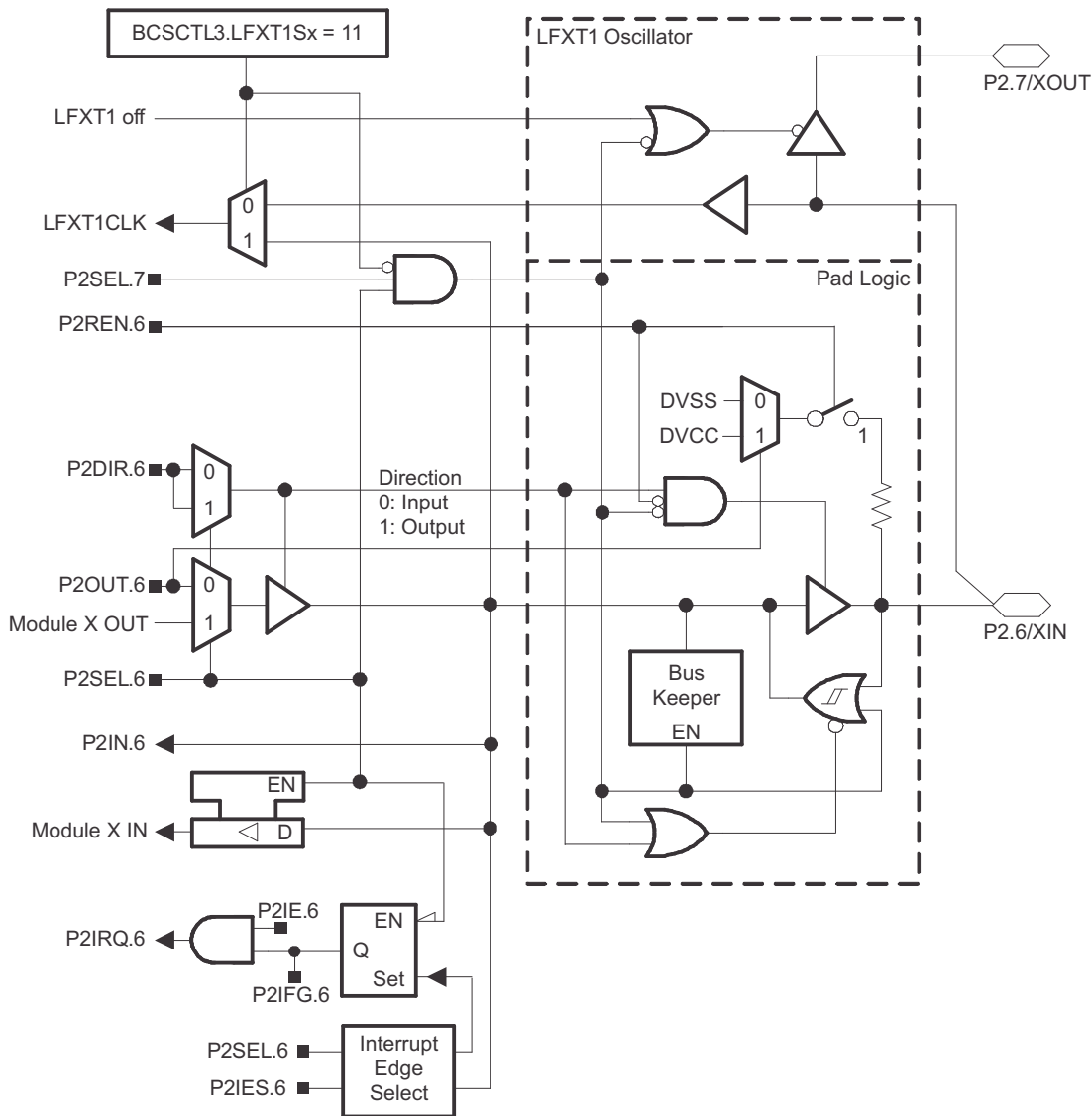


Table 6-23. Port P2 (P2.6) Pin Functions

PIN NAME (P2.x)	x	FUNCTION	CONTROL BITS OR SIGNALS <sup>(1)</sup>	
			P2DIR.x	P2SEL.x
P2.6/XIN	6	P2.6 (I/O)	I: 0; O: 1	0
		XIN <sup>(2)</sup>	X	1

(1) X = Don't care

(2) Default after reset (PUC, POR)

6.19.10 Port P2 Pin Schematic: P2.7, Input/Output With Schmitt Trigger and Crystal Oscillator Output

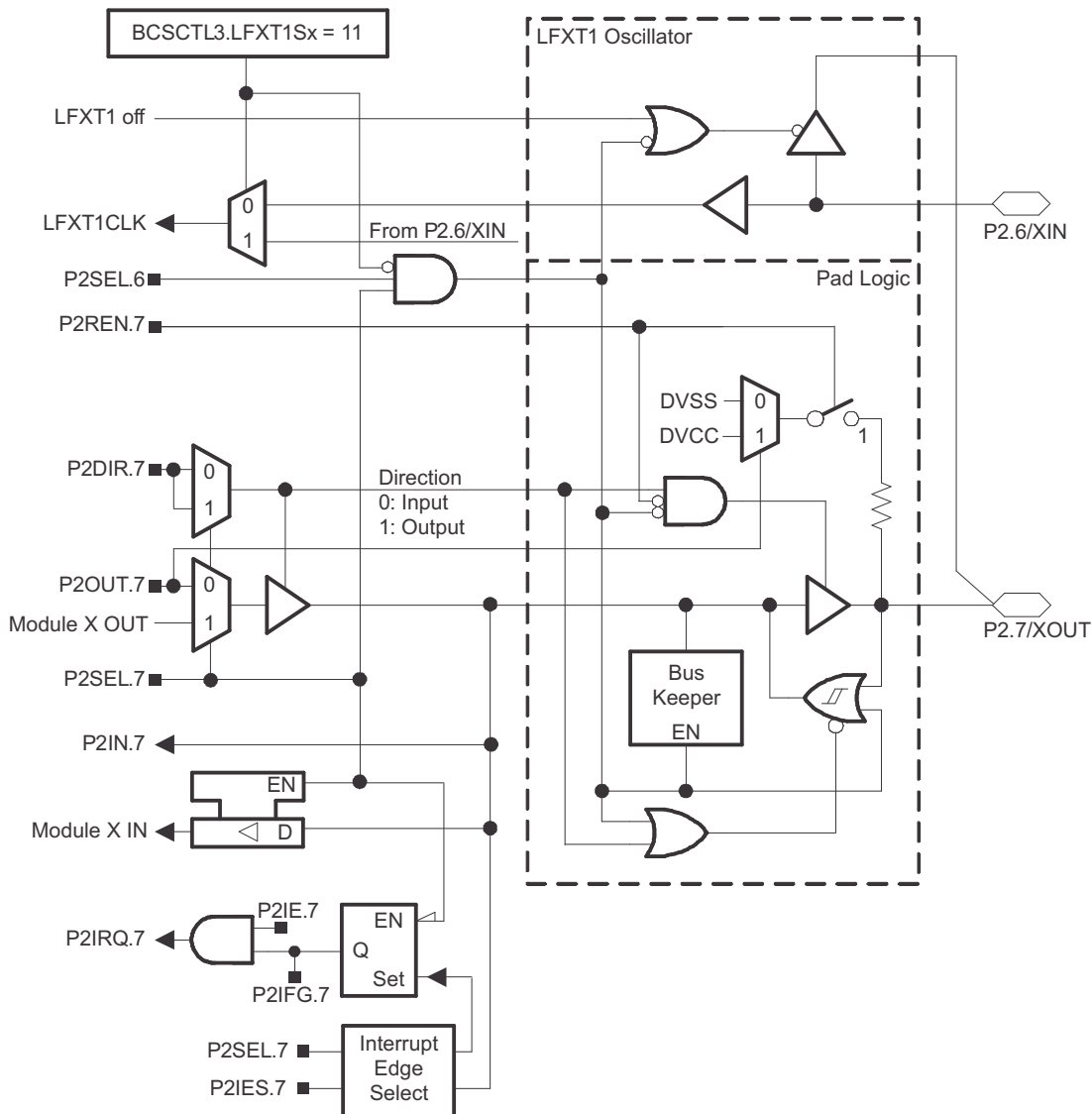


Table 6-24. Port P2 (P2.7) Pin Functions

PIN NAME (P2.x)	x	FUNCTION	CONTROL BITS OR SIGNALS <sup>(1)</sup>	
			P2DIR.x	P2SEL.x
XOUT/P2.7	7	P2.7 (I/O)	I: 0; O: 1	0
		XOUT <sup>(2) (3)</sup>	X	1

- (1) X = Don't care
- (2) Default after reset (PUC, POR)
- (3) If the pin XOUT/P2.7 is used as an input a current can flow until P2SEL.7 is cleared due to the oscillator output driver connection to this pin after reset.

### 6.19.11 Port P3 Pin Schematic: P3.0, Input/Output With Schmitt Trigger

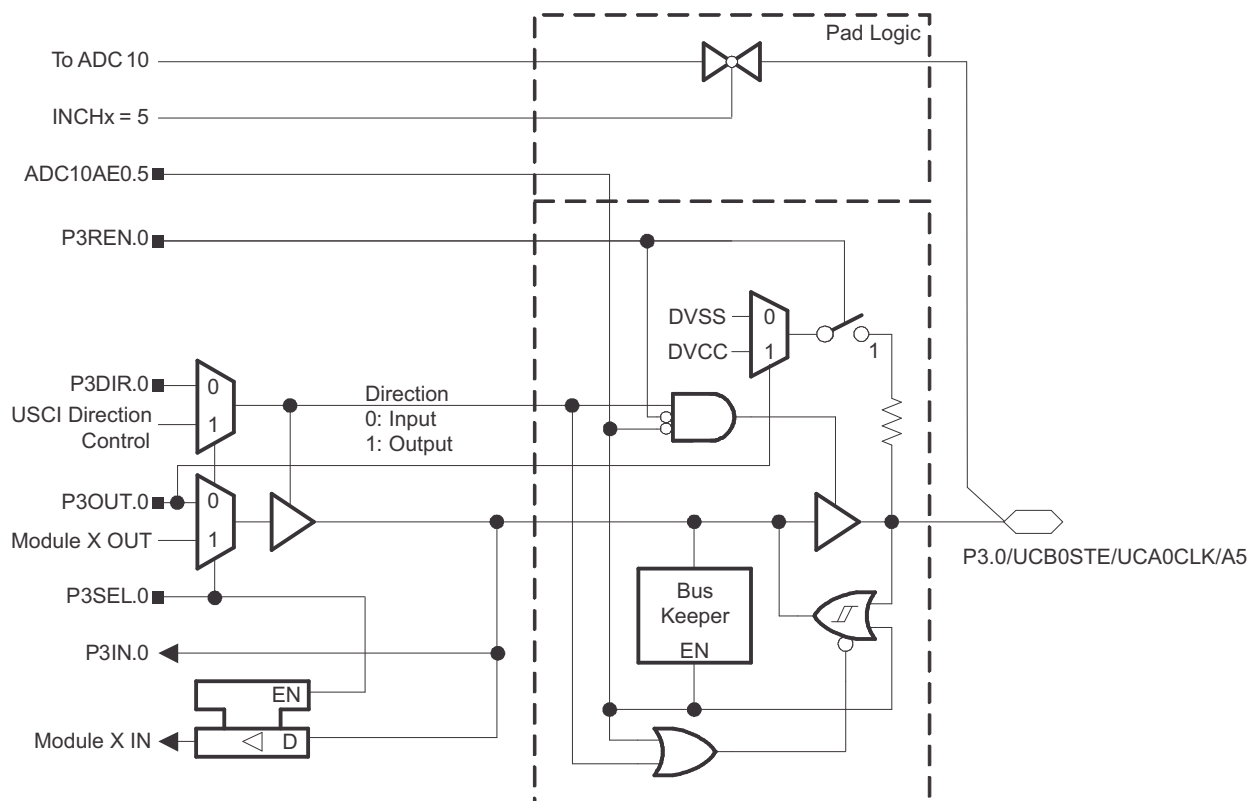


Table 6-25. Port P3 (P3.0) Pin Functions

PIN NAME (P1.x)	x	y	FUNCTION	CONTROL BITS OR SIGNALS <sup>(1)</sup>		
				P3DIR.x	P3SEL.x	ADC10AE0.y
P3.0/UCB0STE/ UCA0CLK/A5	0	5	P3.0 <sup>(2)</sup> (I/O)	I: 0; O: 1	0	0
			UCB0STE/UCA0CLK <sup>(3) (4)</sup>	X	1	0
			A5 <sup>(5)</sup>	X	X	1

- (1) X = Don't care
- (2) Default after reset (PUC, POR)
- (3) The pin direction is controlled by the USCI module.
- (4) UCA0CLK function takes precedence over UCB0STE function. If the pin is required as UCA0CLK input or output, USCI\_B0 is forced to 3-wire SPI mode if 4-wire SPI mode is selected.
- (5) Setting the ADC10AE0.y bit disables the output driver and the input Schmitt trigger to prevent parasitic cross currents when applying analog signals.

6.19.12 Port P3 Pin Schematic: P3.1 to P3.5, Input/Output With Schmitt Trigger

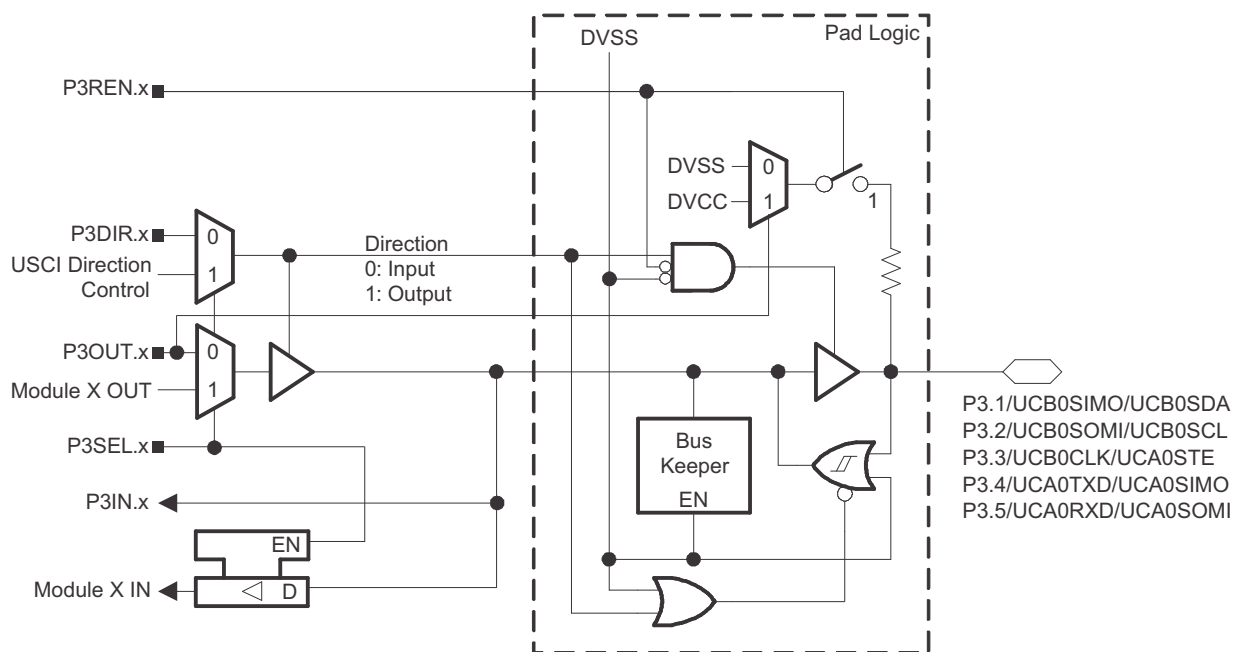


Table 6-26. Port P3 (P3.1 to P3.5) Pin Functions

PIN NAME (P3.x)	x	FUNCTION	CONTROL BITS OR SIGNALS <sup>(1)</sup>	
			P3DIR.x	P3SEL.x
P3.1/UCB0SIMO/UCB0SDA	1	P3.1 <sup>(2)</sup> (I/O)	I: 0; O: 1	0
		UCB0SIMO/UCB0SDA <sup>(3)</sup>	X	1
P3.2/UCB0SOMI/UCB0SCL	2	P3.2 <sup>(2)</sup> (I/O)	I: 0; O: 1	0
		UCB0SOMI/UCB0SCL <sup>(3)</sup>	X	1
P3.3/UCB0CLK/UCA0STE	3	P3.3 <sup>(2)</sup> (I/O)	I: 0; O: 1	0
		UCB0CLK/UCA0STE <sup>(3) (4)</sup>	X	1
P3.4/UCA0TXD/UCA0SIMO	4	P3.4 <sup>(2)</sup> (I/O)	I: 0; O: 1	0
		UCA0TXD/UCA0SIMO <sup>(3)</sup>	X	1
P3.5/UCA0RXD/UCA0SOMI	5	P3.5 <sup>(2)</sup> (I/O)	I: 0; O: 1	0
		UCA0RXD/UCA0SOMI <sup>(3)</sup>	X	1

- (1) X = Don't care
- (2) Default after reset (PUC, POR)
- (3) The pin direction is controlled by the USCI module.
- (4) UCB0CLK function takes precedence over UCA0STE function. If the pin is required as UCB0CLK input or output, USCI\_A0 is forced to 3-wire SPI mode even if 4-wire SPI mode is selected.

### 6.19.13 Port P3 Pin Schematic: P3.6 to P3.7, Input/Output With Schmitt Trigger

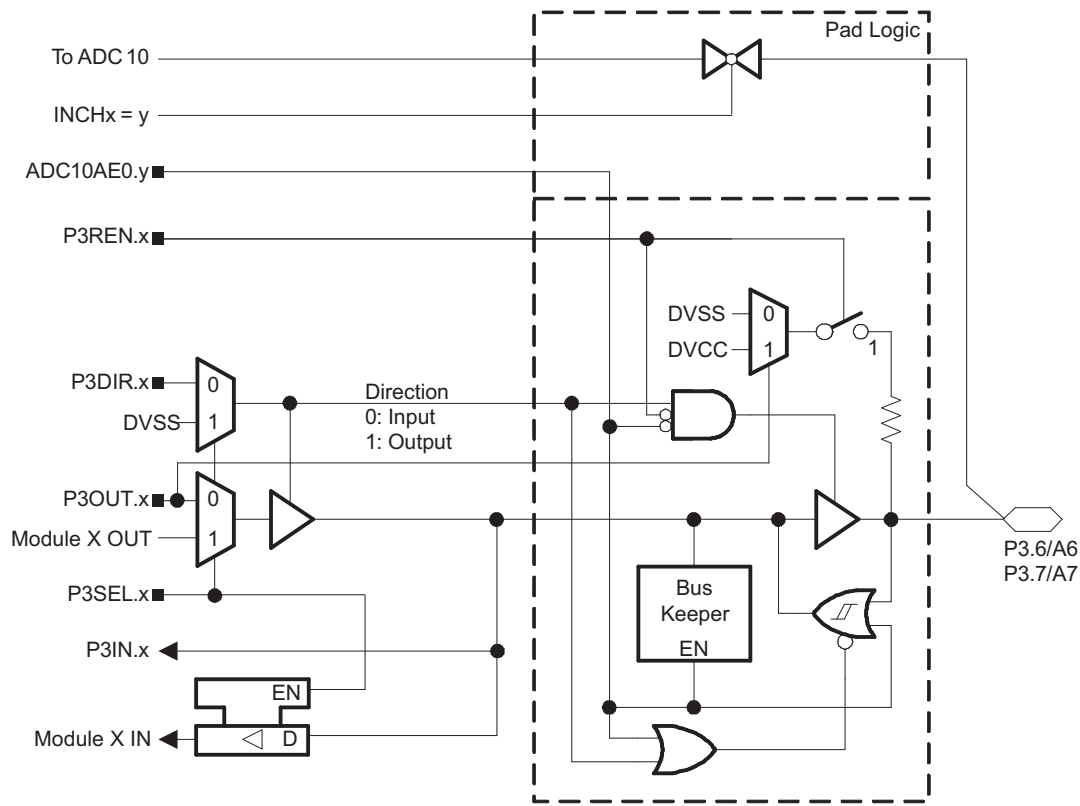


Table 6-27. Port P3 (P3.6, P3.7) Pin Functions

PIN NAME (P3.x)	x	y	FUNCTION	CONTROL BITS OR SIGNALS <sup>(1)</sup>		
				P3DIR.x	P3SEL.x	ADC10AE0.y
P3.6/A6	6	6	P3.6 <sup>(2)</sup> (I/O)	I: 0; O: 1	0	0
			A6/ <sup>(3)</sup>	X	X	1
P3.7/A7	7	7	P3.7 <sup>(2)</sup> (I/O)	I: 0; O: 1	0	0
			A7/ <sup>(3)</sup>	X	X	1

(1) X = Don't care

(2) Default after reset (PUC, POR)

(3) Setting the ADC10AE0.y bit disables the output driver and the input Schmitt trigger to prevent parasitic cross currents when applying analog signals.

6.19.14 Port P4 Pin Schematic: P4.0 to P4.2, Input/Output With Schmitt Trigger

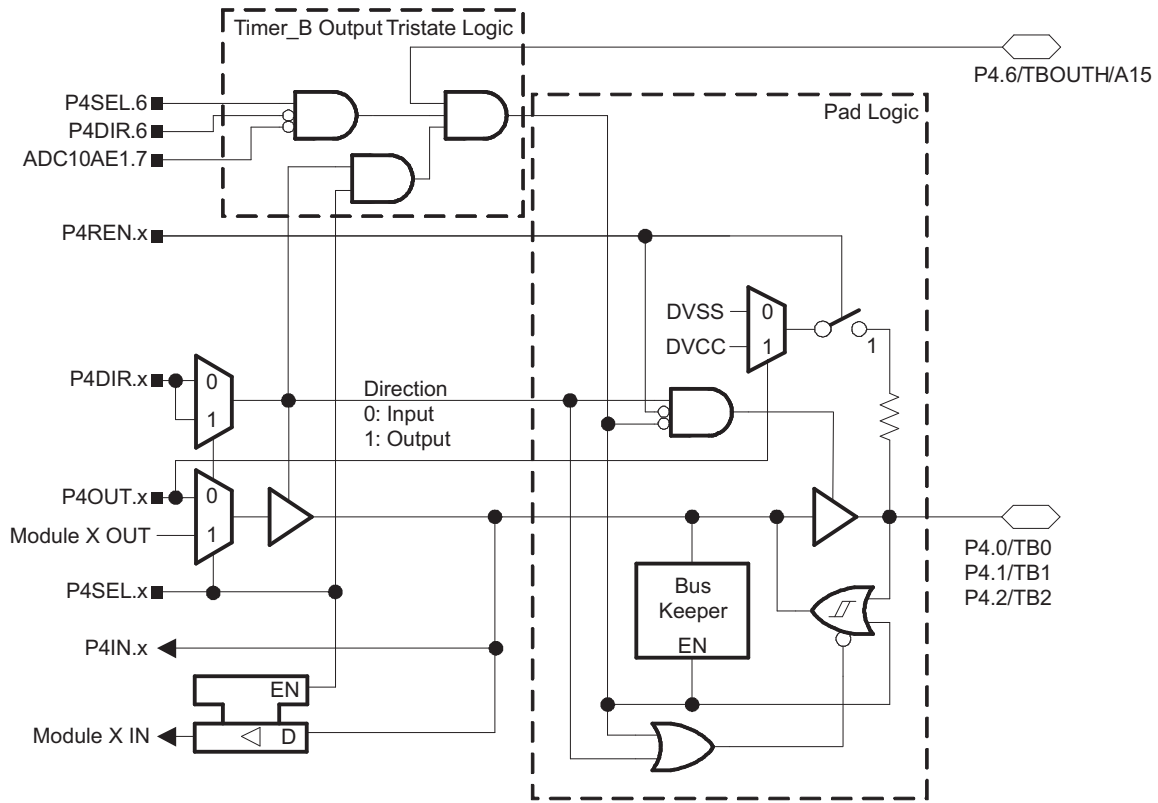


Table 6-28. Port P4 (P4.0 to P4.2) Pin Functions

PIN NAME (P4.x)	x	FUNCTION	CONTROL BITS OR SIGNALS	
			P4DIR.x	P4SEL.x
P4.0/TB0	0	P4.0 <sup>(1)</sup> (I/O)	I: 0; O: 1	0
		Timer_B3.CCI0A	0	1
		Timer_B3.TB0	1	1
P4.1/TB1	1	P4.1 <sup>(1)</sup> (I/O)	I: 0; O: 1	0
		Timer_B3.CCI1A	0	1
		Timer_B3.TB1	1	1
P4.2/TB2	2	P4.2 <sup>(1)</sup> (I/O)	I: 0; O: 1	0
		Timer_B3.CCI2A	0	1
		Timer_B3.TB2	1	1

(1) Default after reset (PUC, POR)

### 6.19.15 Port P4 Pin Schematic: P4.3 to P4.4, Input/Output With Schmitt Trigger

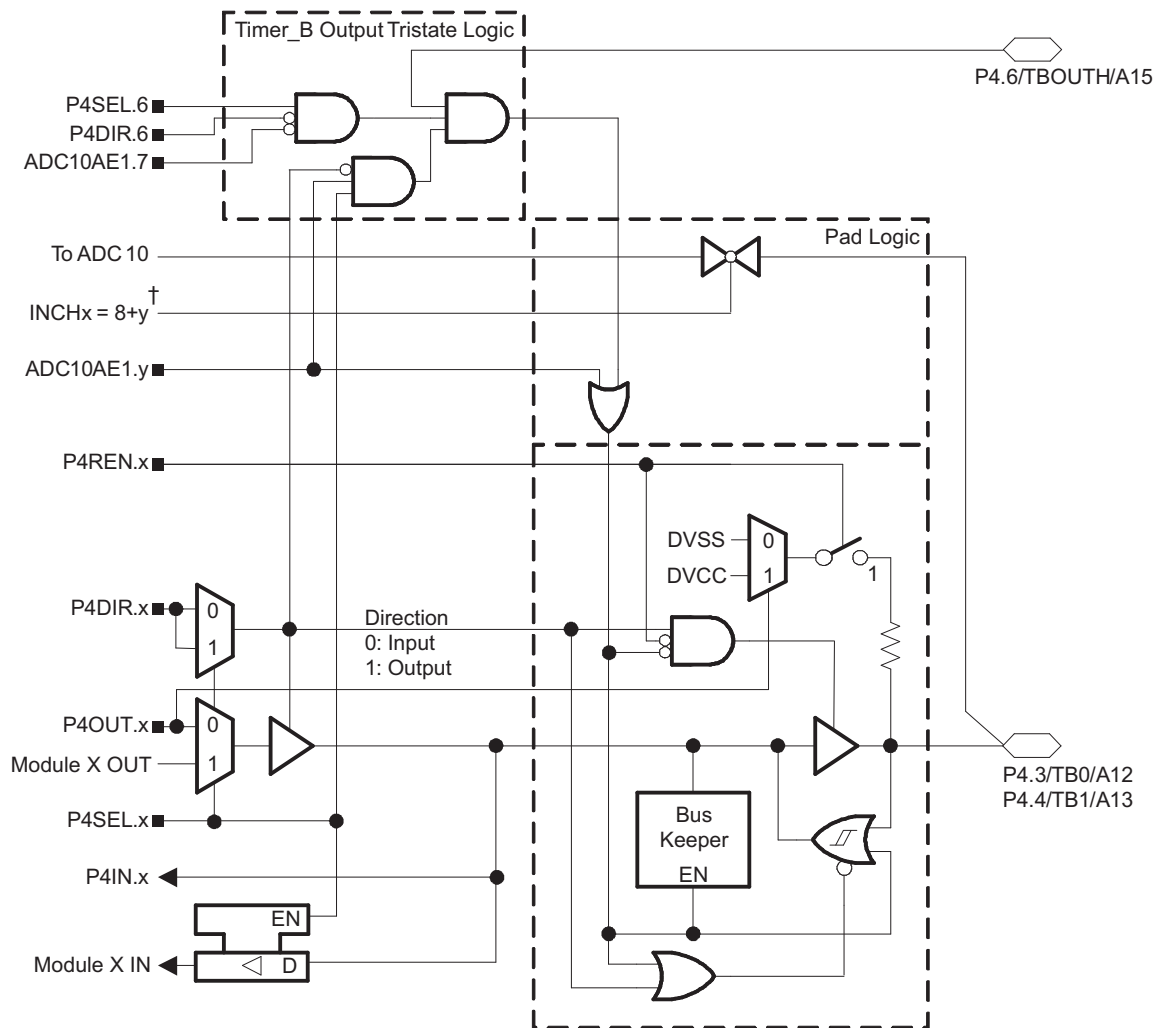


Table 6-29. Port P4 (P4.3 to P4.4) Pin Functions

PIN NAME (P4.x)	x	y	FUNCTION	CONTROL BITS OR SIGNALS <sup>(1)</sup>		
				P4DIR.x	P4SEL.x	ADC10AE1.y
P4.3/TB0/A12	3	4	P4.3 <sup>(2)</sup> (I/O)	I: 0; O: 1	0	0
			Timer_B3.CCI0B	0	1	0
			Timer_B3.TB0	1	1	0
			A12 <sup>(3)</sup>	X	X	1
P4.4/TB1/A13	4	5	P4.4 <sup>(2)</sup> (I/O)	I: 0; O: 1	0	0
			Timer_B3.CCI1B	0	1	0
			Timer_B3.TB1	1	1	0
			A13 <sup>(3)</sup>	X	X	1

(1) X = Don't care

(2) Default after reset (PUC, POR)

(3) Setting the ADC10AE1.y bit disables the output driver and the input Schmitt trigger to prevent parasitic cross currents when applying analog signals.



6.19.16 Port P4 Pin Schematic: P4.5, Input/Output With Schmitt Trigger

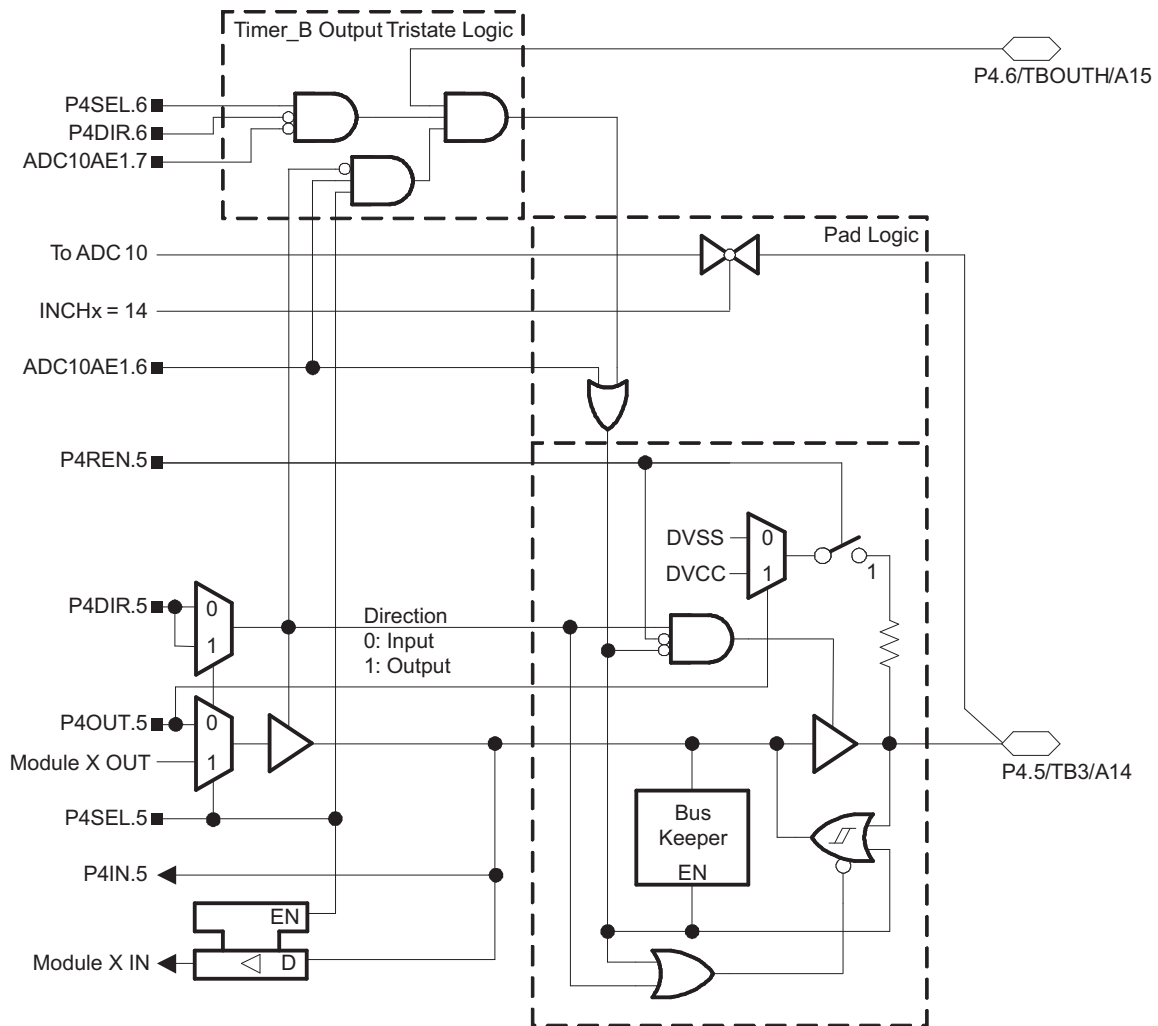


Table 6-30. Port P4 (P4.5) Pin Functions

PIN NAME (P4.x)	x	y	FUNCTION	CONTROL BITS OR SIGNALS <sup>(1)</sup>		
				P4DIR.x	P4SEL.x	ADC10AE1.y
P4.5/TB3/A14	5	6	P4.5 <sup>(2)</sup> (I/O)	I: 0; O: 1	0	0
			Timer_B3.TB2	1	1	0
			A14 <sup>(3)</sup>	X	X	1

- (1) X = Don't care
- (2) Default after reset (PUC, POR)
- (3) Setting the ADC10AE1.y bit disables the output driver and the input Schmitt trigger to prevent parasitic cross currents when applying analog signals.

### 6.19.17 Port P4 Pin Schematic: P4.6, Input/Output With Schmitt Trigger

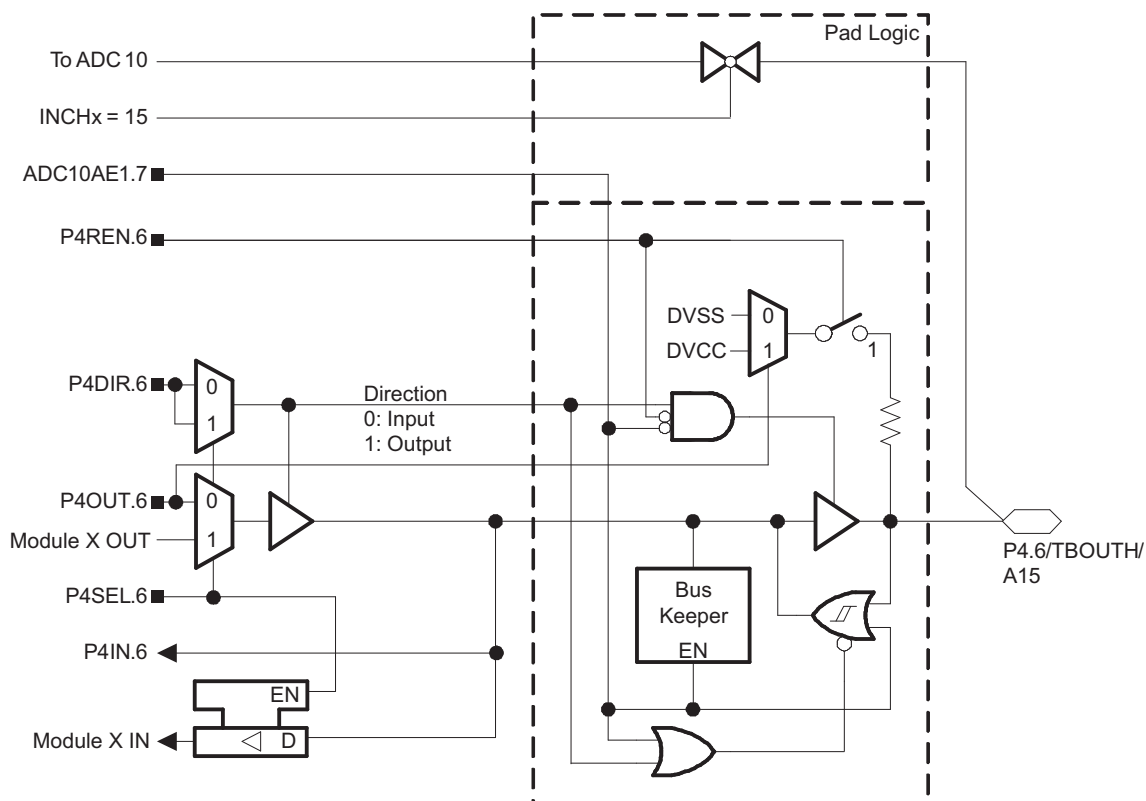


Table 6-31. Port P4 (P4.6) Pin Functions

PIN NAME (P4.x)	x	y	FUNCTION	CONTROL BITS OR SIGNALS <sup>(1)</sup>		
				P4DIR.x	P4SEL.x	ADC10AE1.y
P4.6/TBOUTH/A15	6	7	P4.6 <sup>(2)</sup> (I/O)	I: 0; O: 1	0	0
			TBOUTH	0	1	0
			DV <sub>SS</sub>	1	1	0
			A15 <sup>(3)</sup>	X	X	1

(1) X = Don't care

(2) Default after reset (PUC, POR)

(3) Setting the ADC10AE1.y bit disables the output driver and the input Schmitt trigger to prevent parasitic cross currents when applying analog signals.

6.19.18 Port P4 Pin Schematic: P4.7, Input/Output With Schmitt Trigger

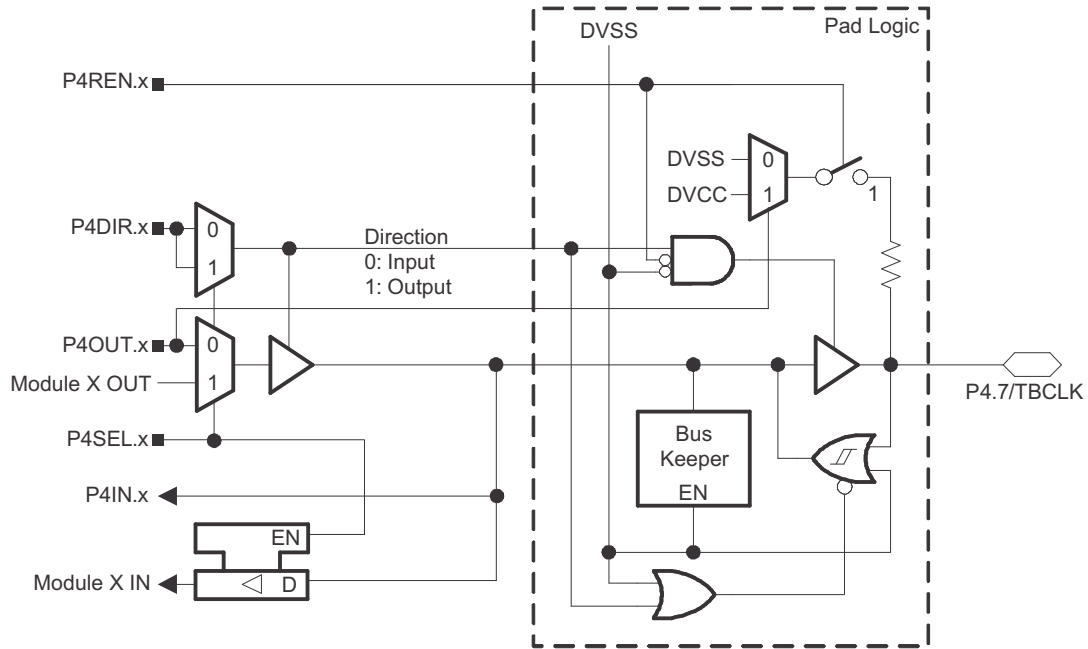


Table 6-32. Port P4 (Pr.7) Pin Functions

PIN NAME (P4.x)	x	FUNCTION	CONTROL BITS OR SIGNALS	
			P4DIR.x	P4SEL.x
P4.7/TBCLK	7	P4.7 <sup>(1)</sup> (I/O)	I: 0; O: 1	0
		Timer_B3.TBCLK	0	1
		DV <sub>SS</sub>	1	1

(1) Default after reset (PUC, POR)

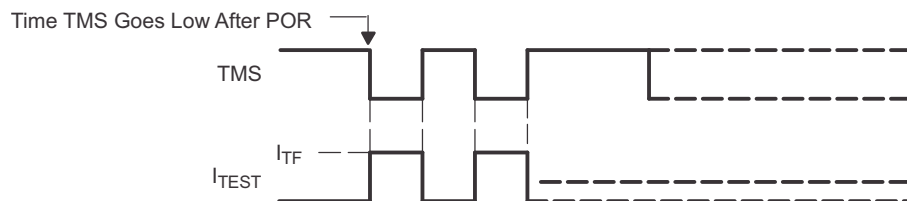
### 6.19.19 JTAG Fuse Check Mode

MSP430 devices that have the fuse on the TEST terminal have a fuse check mode that tests the continuity of the fuse the first time the JTAG port is accessed after a power-on reset (POR). When activated, a fuse check current,  $I_{TF}$ , of 1 mA at 3 V, 2.5 mA at 5 V can flow from the TEST pin to ground if the fuse is not burned. Care must be taken to avoid accidentally activating the fuse check mode and increasing overall system power consumption.

When the TEST pin is again taken low after a test or programming session, the fuse check mode and sense currents are terminated.

Activation of the fuse check mode occurs with the first negative edge on the TMS pin after power up or if TMS is held low during power up. The second positive edge on the TMS pin deactivates the fuse check mode. After deactivation, the fuse check mode remains inactive until another POR occurs. After each POR, the fuse check mode has the potential to be activated.

The fuse check current flows only when the fuse check mode is active and the TMS pin is in a low state (see [Figure 6-1](#)). Therefore, the additional current flow can be prevented by holding the TMS pin high (default condition).



**Figure 6-1. Fuse Check Mode Current**

#### NOTE

The CODE and RAM data protection is ensured if the JTAG fuse is blown and the 256-bit bootloader access key is used. Also, see the [Bootstrap Loader](#) section for more information.

## 7 Device and Documentation Support

### 7.1 Device Support

#### 7.1.1 Getting Started

For an introduction to the MSP430™ family of devices and the tools and libraries that are available to help with your development, visit the [Getting Started page](#).

#### 7.1.2 Development Tools Support

All MSP430™ microcontrollers are supported by a wide variety of software and hardware development tools. Tools are available from TI and various third parties. See them all at [www.ti.com/msp430tools](http://www.ti.com/msp430tools).

##### 7.1.2.1 Hardware Features

See the *Code Composer Studio for MSP430 User's Guide* ([SLAU157](#)) for details on the available features.

MSP430 Architecture	4-Wire JTAG	2-Wire JTAG	Break-points (N)	Range Break-points	Clock Control	State Sequencer	Trace Buffer	LPMx.5 Debugging Support
MSP430	Yes	Yes	2	No	Yes	No	No	No

##### 7.1.2.2 Recommended Hardware Options

###### 7.1.2.2.1 Target Socket Boards

The target socket boards allow easy programming and debugging of the device using JTAG. They also feature header pin outs for prototyping. Target socket boards are orderable individually or as a kit with the JTAG programmer and debugger included. The following table shows the compatible target boards and the supported packages.

Package	Target Board and Programmer Bundle	Target Board Only
38-pin TSSOP (DA)	<a href="#">MSP-FET430U38</a>	<a href="#">MSP-TS430DA38</a>

###### 7.1.2.2.2 Experimenter Boards

Experimenter Boards and Evaluation kits are available for some MSP430 devices. These kits feature additional hardware components and connectivity for full system evaluation and prototyping. See [www.ti.com/msp430tools](http://www.ti.com/msp430tools) for details.

###### 7.1.2.2.3 Debugging and Programming Tools

Hardware programming and debugging tools are available from TI and from its third party suppliers. See the full list of available tools at [www.ti.com/msp430tools](http://www.ti.com/msp430tools).

###### 7.1.2.2.4 Production Programmers

The production programmers expedite loading firmware to devices by programming several devices simultaneously.

Part Number	PC Port	Features	Provider
<a href="#">MSP-GANG</a>	Serial and USB	Program up to eight devices at a time. Works with PC or standalone.	Texas Instruments

##### 7.1.2.3 Recommended Software Options

###### 7.1.2.3.1 Integrated Development Environments

Software development tools are available from TI or from third parties. Open source solutions are also available.

This device is supported by Code Composer Studio™ IDE (CCS).

### 7.1.2.3.2 *MSP430Ware*

[MSP430Ware](#) is a collection of code examples, data sheets, and other design resources for all MSP430 devices delivered in a convenient package. MSP430Ware is available as a component of CCS or as a standalone package.

### 7.1.2.3.3 *Command-Line Programmer*

[MSP430 Flasher](#) is an open-source, shell-based interface for programming MSP430 microcontrollers through a FET programmer or eZ430 using JTAG or Spy-Bi-Wire (SBW) communication. MSP430 Flasher can be used to download binary files (.txt or .hex) files directly to the MSP430 Flash without the need for an IDE.

## 7.1.3 *Device and Development Tool Nomenclature*

To designate the stages in the product development cycle, TI assigns prefixes to the part numbers of all MSP430 MCU devices and support tools. Each MSP430 MCU commercial family member has one of three prefixes: MSP, PMS, or XMS (for example, MSP430F5259). Texas Instruments recommends two of three possible prefix designators for its support tools: MSP and MSPX. These prefixes represent evolutionary stages of product development from engineering prototypes (with XMS for devices and MSPX for tools) through fully qualified production devices and tools (with MSP for devices and MSP for tools).

Device development evolutionary flow:

**XMS** – Experimental device that is not necessarily representative of the final device's electrical specifications

**PMS** – Final silicon die that conforms to the device's electrical specifications but has not completed quality and reliability verification

**MSP** – Fully qualified production device

Support tool development evolutionary flow:

**MSPX** – Development-support product that has not yet completed Texas Instruments internal qualification testing.

**MSP** – Fully-qualified development-support product

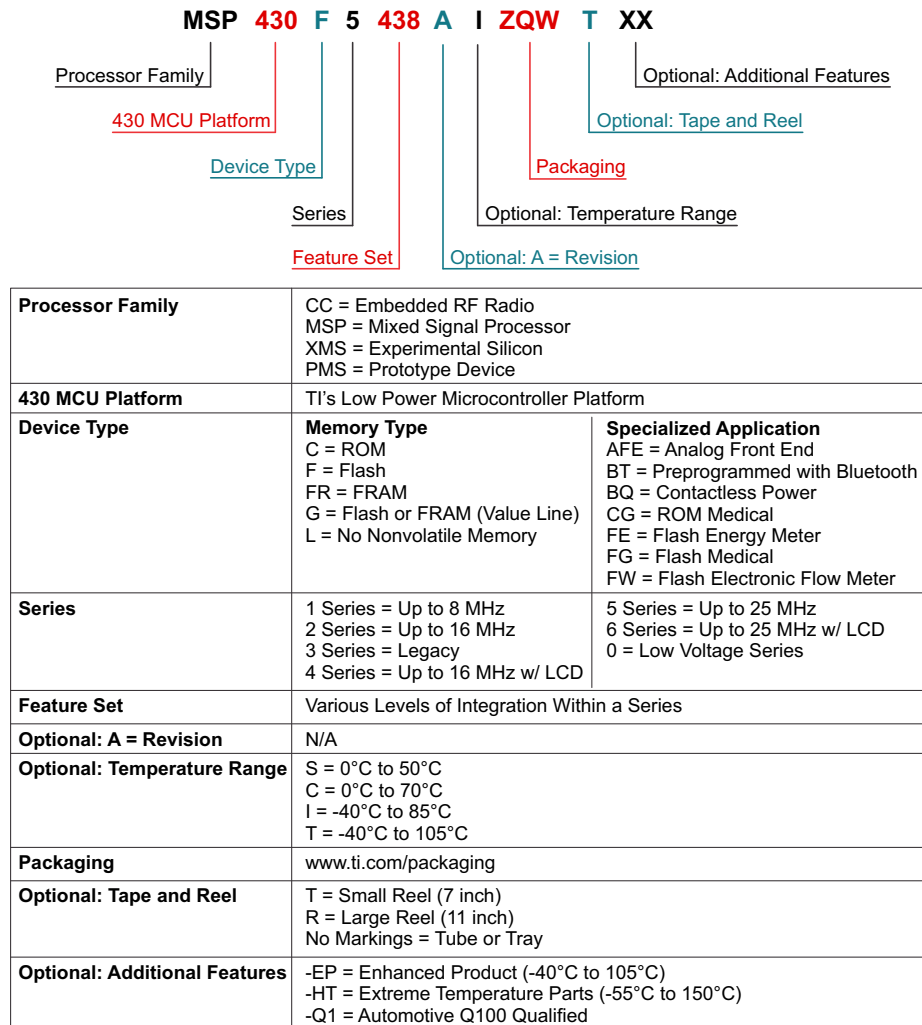
XMS and PMS devices and MSPX development-support tools are shipped against the following disclaimer:

"Developmental product is intended for internal evaluation purposes."

MSP devices and MSP development-support tools have been characterized fully, and the quality and reliability of the device have been demonstrated fully. TI's standard warranty applies.

Predictions show that prototype devices (XMS and PMS) have a greater failure rate than the standard production devices. Texas Instruments recommends that these devices not be used in any production system because their expected end-use failure rate still is undefined. Only qualified production devices are to be used.

TI device nomenclature also includes a suffix with the device family name. This suffix indicates the package type (for example, PZP) and temperature range (for example, T). [Figure 7-1](#) provides a legend for reading the complete device name for any family member.



**Figure 7-1. Device Nomenclature**

## 7.2 Documentation Support

The following documents describe the MSP430G2x44 devices. Copies of these documents are available on the Internet at [www.ti.com](http://www.ti.com).

[SLAU144](#) **MSP430x2xx Family User's Guide.** Detailed information on the modules and peripherals available in this device family.

[SLAZ497](#) **MSP430G2744 Device Erratasheet.** Describes the known exceptions to the functional specifications for all silicon revisions of the device.

[SLAZ498](#) **MSP430G2544 Device Erratasheet.** Describes the known exceptions to the functional specifications for all silicon revisions of the device.

[SLAZ499](#) **MSP430G2444 Device Erratasheet.** Describes the known exceptions to the functional specifications for all silicon revisions of the device.

## 7.3 Related Links

Table 7-1 lists quick access links. Categories include technical documents, support and community resources, tools and software, and quick access to sample or buy.

Table 7-1. Related Links

PARTS	PRODUCT FOLDER	SAMPLE & BUY	TECHNICAL DOCUMENTS	TOOLS & SOFTWARE	SUPPORT & COMMUNITY
MSP430G2744	<a href="#">Click here</a>	<a href="#">Click here</a>	<a href="#">Click here</a>	<a href="#">Click here</a>	<a href="#">Click here</a>
MSP430G2544	<a href="#">Click here</a>	<a href="#">Click here</a>	<a href="#">Click here</a>	<a href="#">Click here</a>	<a href="#">Click here</a>
MSP430G2444	<a href="#">Click here</a>	<a href="#">Click here</a>	<a href="#">Click here</a>	<a href="#">Click here</a>	<a href="#">Click here</a>

## 7.4 Community Resources

The following links connect to TI community resources. Linked contents are provided "AS IS" by the respective contributors. They do not constitute TI specifications and do not necessarily reflect TI's views; see TI's [Terms of Use](#).

### [TI E2E™ Community](#)

TI's *Engineer-to-Engineer (E2E) Community*. Created to foster collaboration among engineers. At [e2e.ti.com](http://e2e.ti.com), you can ask questions, share knowledge, explore ideas, and help solve problems with fellow engineers.

### [TI Embedded Processors Wiki](#)

*Texas Instruments Embedded Processors Wiki*. Established to help developers get started with embedded processors from Texas Instruments and to foster innovation and growth of general knowledge about the hardware and software surrounding these devices.

## 7.5 Trademarks

MSP430, Code Composer Studio, E2E are trademarks of Texas Instruments. All other trademarks are the property of their respective owners.

## 7.6 Electrostatic Discharge Caution



This integrated circuit can be damaged by ESD. Texas Instruments recommends that all integrated circuits be handled with appropriate precautions. Failure to observe proper handling and installation procedures can cause damage.

ESD damage can range from subtle performance degradation to complete device failure. Precision integrated circuits may be more susceptible to damage because very small parametric changes could cause the device not to meet its published specifications.

## 7.7 Glossary

[SLYZ022](#) — *TI Glossary*.

This glossary lists and explains terms, acronyms, and definitions.



## 8 Mechanical, Packaging, and Orderable Information

The following pages include mechanical packaging and orderable information. This information is the most current data available for the designated devices. This data is subject to change without notice and revision of this document. For browser-based versions of this data sheet, refer to the left-hand navigation.

**PACKAGING INFORMATION**

Orderable part number	Status (1)	Material type (2)	Package   Pins	Package qty   Carrier	RoHS (3)	Lead finish/ Ball material (4)	MSL rating/ Peak reflow (5)	Op temp (°C)	Part marking (6)
<a href="#">MSP430G2444IDA38</a>	Active	Production	TSSOP (DA)   38	40   TUBE	Yes	NIPDAU	Level-2-260C-1 YEAR	-40 to 85	M430G2444
MSP430G2444IDA38.B	Active	Production	TSSOP (DA)   38	40   TUBE	Yes	NIPDAU	Level-2-260C-1 YEAR	-40 to 85	M430G2444
<a href="#">MSP430G2444IDA38R</a>	Active	Production	TSSOP (DA)   38	2000   LARGE T&R	Yes	NIPDAU	Level-2-260C-1 YEAR	-40 to 85	M430G2444
MSP430G2444IDA38R.B	Active	Production	TSSOP (DA)   38	2000   LARGE T&R	Yes	NIPDAU	Level-2-260C-1 YEAR	-40 to 85	M430G2444
<a href="#">MSP430G2444IRHA40R</a>	Active	Production	VQFN (RHA)   40	2500   LARGE T&R	Yes	NIPDAU	Level-3-260C-168 HR	-40 to 85	M430 G2444
MSP430G2444IRHA40R.B	Active	Production	VQFN (RHA)   40	2500   LARGE T&R	Yes	NIPDAU	Level-3-260C-168 HR	-40 to 85	M430 G2444
<a href="#">MSP430G2444IRHA40T</a>	Active	Production	VQFN (RHA)   40	250   SMALL T&R	Yes	NIPDAU	Level-3-260C-168 HR	-40 to 85	M430 G2444
MSP430G2444IRHA40T.B	Active	Production	VQFN (RHA)   40	250   SMALL T&R	Yes	NIPDAU	Level-3-260C-168 HR	-40 to 85	M430 G2444
<a href="#">MSP430G2444IYFFT</a>	Active	Production	DSBGA (YFF)   49	250   SMALL T&R	Yes	SNAGCU	Level-1-260C-UNLIM	-40 to 85	M430G2444
MSP430G2444IYFFT.B	Active	Production	DSBGA (YFF)   49	250   SMALL T&R	Yes	SNAGCU	Level-1-260C-UNLIM	-40 to 85	M430G2444
<a href="#">MSP430G2544IDA38</a>	Active	Production	TSSOP (DA)   38	40   TUBE	Yes	NIPDAU	Level-2-260C-1 YEAR	-40 to 85	M430G2544
MSP430G2544IDA38.B	Active	Production	TSSOP (DA)   38	40   TUBE	Yes	NIPDAU	Level-2-260C-1 YEAR	-40 to 85	M430G2544
<a href="#">MSP430G2544IDA38R</a>	Active	Production	TSSOP (DA)   38	2000   LARGE T&R	Yes	NIPDAU	Level-2-260C-1 YEAR	-40 to 85	M430G2544
MSP430G2544IDA38R.B	Active	Production	TSSOP (DA)   38	2000   LARGE T&R	Yes	NIPDAU	Level-2-260C-1 YEAR	-40 to 85	M430G2544
<a href="#">MSP430G2544IRHA40R</a>	Active	Production	VQFN (RHA)   40	2500   LARGE T&R	Yes	NIPDAU	Level-3-260C-168 HR	-40 to 85	M430 G2544
MSP430G2544IRHA40R.B	Active	Production	VQFN (RHA)   40	2500   LARGE T&R	Yes	NIPDAU	Level-3-260C-168 HR	-40 to 85	M430 G2544
<a href="#">MSP430G2544IRHA40T</a>	Active	Production	VQFN (RHA)   40	250   SMALL T&R	Yes	NIPDAU	Level-3-260C-168 HR	-40 to 85	M430 G2544
MSP430G2544IRHA40T.B	Active	Production	VQFN (RHA)   40	250   SMALL T&R	Yes	NIPDAU	Level-3-260C-168 HR	-40 to 85	M430 G2544
<a href="#">MSP430G2744IDA38</a>	Active	Production	TSSOP (DA)   38	40   TUBE	Yes	NIPDAU	Level-2-260C-1 YEAR	-40 to 85	M430G2744
MSP430G2744IDA38.B	Active	Production	TSSOP (DA)   38	40   TUBE	Yes	NIPDAU	Level-2-260C-1 YEAR	-40 to 85	M430G2744
<a href="#">MSP430G2744IDA38R</a>	Active	Production	TSSOP (DA)   38	2000   LARGE T&R	Yes	NIPDAU	Level-2-260C-1 YEAR	-40 to 85	M430G2744
MSP430G2744IDA38R.B	Active	Production	TSSOP (DA)   38	2000   LARGE T&R	Yes	NIPDAU	Level-2-260C-1 YEAR	-40 to 85	M430G2744

Orderable part number	Status (1)	Material type (2)	Package   Pins	Package qty   Carrier	RoHS (3)	Lead finish/ Ball material (4)	MSL rating/ Peak reflow (5)	Op temp (°C)	Part marking (6)
<a href="#">MSP430G2744IRHA40R</a>	Active	Production	VQFN (RHA)   40	2500   LARGE T&R	Yes	NIPDAU	Level-3-260C-168 HR	-40 to 85	M430 G2744
MSP430G2744IRHA40R.B	Active	Production	VQFN (RHA)   40	2500   LARGE T&R	Yes	NIPDAU	Level-3-260C-168 HR	-40 to 85	M430 G2744
<a href="#">MSP430G2744IRHA40T</a>	Active	Production	VQFN (RHA)   40	250   SMALL T&R	Yes	NIPDAU	Level-3-260C-168 HR	-40 to 85	M430 G2744
MSP430G2744IRHA40T.B	Active	Production	VQFN (RHA)   40	250   SMALL T&R	Yes	NIPDAU	Level-3-260C-168 HR	-40 to 85	M430 G2744
<a href="#">MSP430G2744IYFFR</a>	Active	Production	DSBGA (YFF)   49	2500   LARGE T&R	Yes	SNAGCU	Level-1-260C-UNLIM	-40 to 85	M430G2744
MSP430G2744IYFFR.B	Active	Production	DSBGA (YFF)   49	2500   LARGE T&R	Yes	SNAGCU	Level-1-260C-UNLIM	-40 to 85	M430G2744

(1) **Status:** For more details on status, see our [product life cycle](#).

(2) **Material type:** When designated, preproduction parts are prototypes/experimental devices, and are not yet approved or released for full production. Testing and final process, including without limitation quality assurance, reliability performance testing, and/or process qualification, may not yet be complete, and this item is subject to further changes or possible discontinuation. If available for ordering, purchases will be subject to an additional waiver at checkout, and are intended for early internal evaluation purposes only. These items are sold without warranties of any kind.

(3) **RoHS values:** Yes, No, RoHS Exempt. See the [TI RoHS Statement](#) for additional information and value definition.

(4) **Lead finish/Ball material:** Parts may have multiple material finish options. Finish options are separated by a vertical ruled line. Lead finish/Ball material values may wrap to two lines if the finish value exceeds the maximum column width.

(5) **MSL rating/Peak reflow:** The moisture sensitivity level ratings and peak solder (reflow) temperatures. In the event that a part has multiple moisture sensitivity ratings, only the lowest level per JEDEC standards is shown. Refer to the shipping label for the actual reflow temperature that will be used to mount the part to the printed circuit board.

(6) **Part marking:** There may be an additional marking, which relates to the logo, the lot trace code information, or the environmental category of the part.

Multiple part markings will be inside parentheses. Only one part marking contained in parentheses and separated by a "~" will appear on a part. If a line is indented then it is a continuation of the previous line and the two combined represent the entire part marking for that device.

**Important Information and Disclaimer:** The information provided on this page represents TI's knowledge and belief as of the date that it is provided. TI bases its knowledge and belief on information provided by third parties, and makes no representation or warranty as to the accuracy of such information. Efforts are underway to better integrate information from third parties. TI has taken and continues to take reasonable steps to provide representative and accurate information but may not have conducted destructive testing or chemical analysis on incoming materials and chemicals. TI and TI suppliers consider certain information to be proprietary, and thus CAS numbers and other limited information may not be available for release.

In no event shall TI's liability arising out of such information exceed the total purchase price of the TI part(s) at issue in this document sold by TI to Customer on an annual basis.

## TAPE AND REEL INFORMATION



### QUADRANT ASSIGNMENTS FOR PIN 1 ORIENTATION IN TAPE



\*All dimensions are nominal

Device	Package Type	Package Drawing	Pins	SPQ	Reel Diameter (mm)	Reel Width W1 (mm)	A0 (mm)	B0 (mm)	K0 (mm)	P1 (mm)	W (mm)	Pin1 Quadrant
MSP430G2444IDA38R	TSSOP	DA	38	2000	330.0	24.4	8.6	13.0	1.8	12.0	24.0	Q1
MSP430G2444IRHA40R	VQFN	RHA	40	2500	330.0	16.4	6.3	6.3	1.1	12.0	16.0	Q2
MSP430G2444IRHA40R	VQFN	RHA	40	2500	330.0	16.4	6.3	6.3	1.1	12.0	16.0	Q2
MSP430G2444IRHA40T	VQFN	RHA	40	250	180.0	16.4	6.3	6.3	1.1	12.0	16.0	Q2
MSP430G2444IRHA40T	VQFN	RHA	40	250	180.0	16.4	6.3	6.3	1.1	12.0	16.0	Q2
MSP430G2444IYFFT	DSBGA	YFF	49	250	180.0	12.4	3.5	3.7	0.81	8.0	12.0	Q2
MSP430G2544IDA38R	TSSOP	DA	38	2000	330.0	24.4	8.6	13.0	1.8	12.0	24.0	Q1
MSP430G2544IRHA40R	VQFN	RHA	40	2500	330.0	16.4	6.3	6.3	1.1	12.0	16.0	Q2
MSP430G2544IRHA40R	VQFN	RHA	40	2500	330.0	16.4	6.3	6.3	1.1	12.0	16.0	Q2
MSP430G2544IRHA40T	VQFN	RHA	40	250	180.0	16.4	6.3	6.3	1.1	12.0	16.0	Q2
MSP430G2544IRHA40T	VQFN	RHA	40	250	180.0	16.4	6.3	6.3	1.1	12.0	16.0	Q2
MSP430G2744IDA38R	TSSOP	DA	38	2000	330.0	24.4	8.6	13.0	1.8	12.0	24.0	Q1
MSP430G2744IRHA40R	VQFN	RHA	40	2500	330.0	16.4	6.3	6.3	1.1	12.0	16.0	Q2
MSP430G2744IRHA40T	VQFN	RHA	40	250	180.0	16.4	6.3	6.3	1.1	12.0	16.0	Q2
MSP430G2744IYFFR	DSBGA	YFF	49	2500	330.0	12.4	3.5	3.7	0.81	8.0	12.0	Q2

## TAPE AND REEL BOX DIMENSIONS



\*All dimensions are nominal

Device	Package Type	Package Drawing	Pins	SPQ	Length (mm)	Width (mm)	Height (mm)
MSP430G2444IDA38R	TSSOP	DA	38	2000	350.0	350.0	43.0
MSP430G2444IRHA40R	VQFN	RHA	40	2500	367.0	367.0	35.0
MSP430G2444IRHA40R	VQFN	RHA	40	2500	367.0	367.0	38.0
MSP430G2444IRHA40T	VQFN	RHA	40	250	210.0	185.0	35.0
MSP430G2444IRHA40T	VQFN	RHA	40	250	210.0	185.0	35.0
MSP430G2444IYFFT	DSBGA	YFF	49	250	182.0	182.0	20.0
MSP430G2544IDA38R	TSSOP	DA	38	2000	350.0	350.0	43.0
MSP430G2544IRHA40R	VQFN	RHA	40	2500	367.0	367.0	38.0
MSP430G2544IRHA40R	VQFN	RHA	40	2500	367.0	367.0	35.0
MSP430G2544IRHA40T	VQFN	RHA	40	250	210.0	185.0	35.0
MSP430G2544IRHA40T	VQFN	RHA	40	250	210.0	185.0	35.0
MSP430G2744IDA38R	TSSOP	DA	38	2000	350.0	350.0	43.0
MSP430G2744IRHA40R	VQFN	RHA	40	2500	367.0	367.0	38.0
MSP430G2744IRHA40T	VQFN	RHA	40	250	210.0	185.0	35.0
MSP430G2744IYFFR	DSBGA	YFF	49	2500	335.0	335.0	25.0

**TUBE**


\*All dimensions are nominal

Device	Package Name	Package Type	Pins	SPQ	L (mm)	W (mm)	T (μm)	B (mm)
MSP430G2444IDA38	DA	TSSOP	38	40	530	11.89	3600	4.9
MSP430G2444IDA38.B	DA	TSSOP	38	40	530	11.89	3600	4.9
MSP430G2544IDA38	DA	TSSOP	38	40	530	11.89	3600	4.9
MSP430G2544IDA38.B	DA	TSSOP	38	40	530	11.89	3600	4.9
MSP430G2744IDA38	DA	TSSOP	38	40	530	11.89	3600	4.9
MSP430G2744IDA38.B	DA	TSSOP	38	40	530	11.89	3600	4.9

DA (R-PDSO-G\*\*)   
 38 PIN SHOWN

PLASTIC SMALL-OUTLINE PACKAGE



- NOTES:
- A. All linear dimensions are in millimeters.
  - B. This drawing is subject to change without notice.
  - C. Body dimensions do not include mold flash or protrusion. Mold flash and protrusion shall not exceed 0.15 per side.
  - Falls within JEDEC MO-153, except 30 pin body length.



DA (R-PDSO-G38)

PLASTIC SMALL OUTLINE



- NOTES:
- A. All linear dimensions are in millimeters.
  - B. This drawing is subject to change without notice.
  - C. Laser cutting apertures with trapezoidal walls and also rounding corners will offer better paste release. Customers should contact their board assembly site for stencil design recommendations. Example stencil design based on a 50% volumetric metal load solder paste. Refer to IPC-7525 for other stencil recommendations.
  - D. Contact the board fabrication site for recommended soldermask tolerances.

## GENERIC PACKAGE VIEW

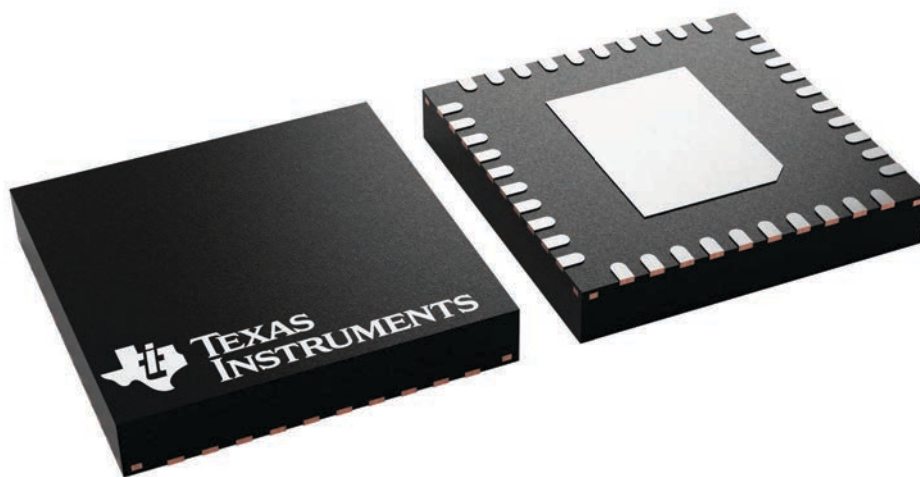
**RHA 40**

**VQFN - 1 mm max height**

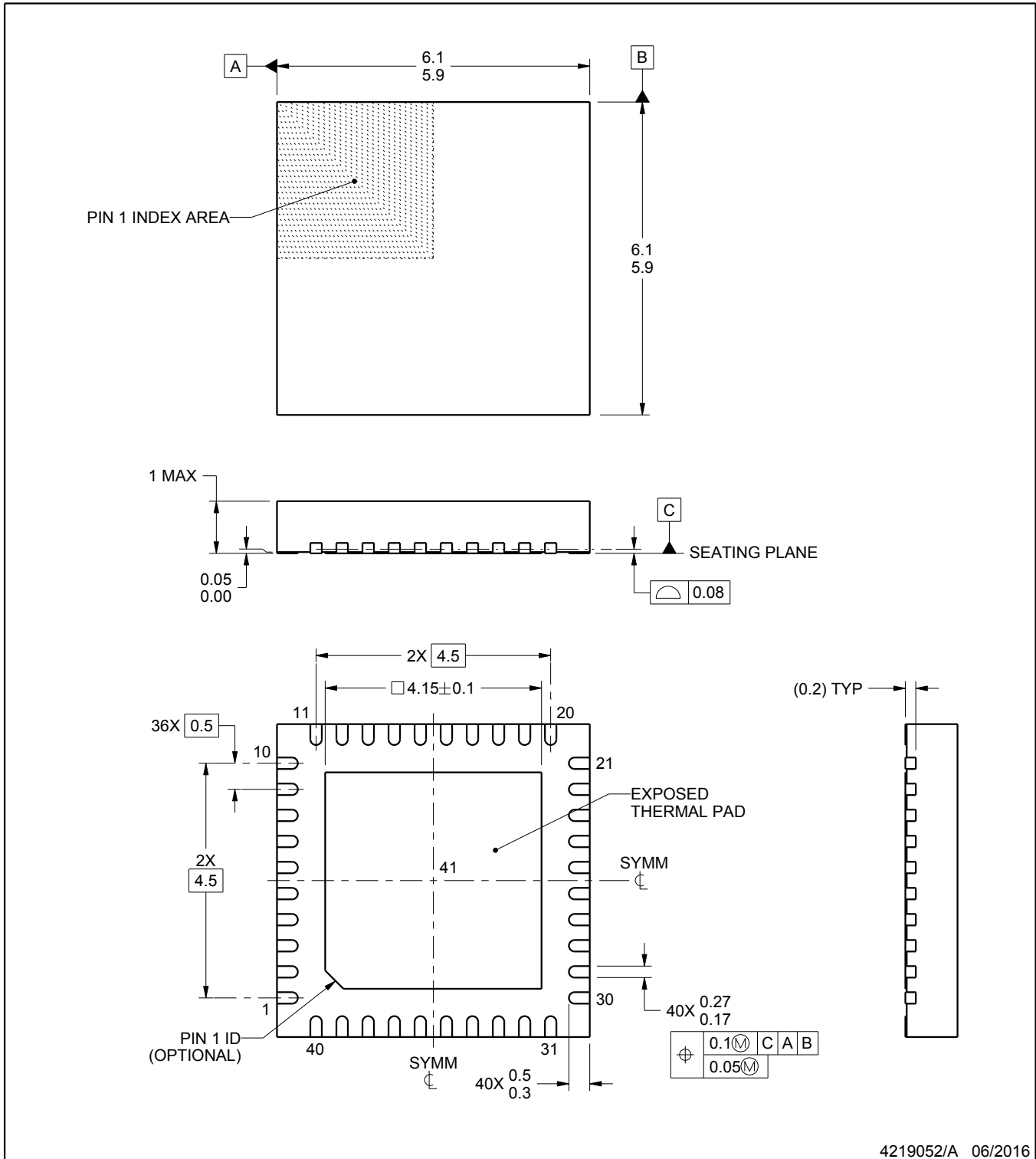
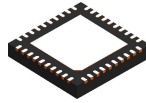
6 x 6, 0.5 mm pitch

PLASTIC QUAD FLATPACK - NO LEAD

This image is a representation of the package family, actual package may vary.  
Refer to the product data sheet for package details.



4225870/A



4219052/A 06/2016

NOTES:

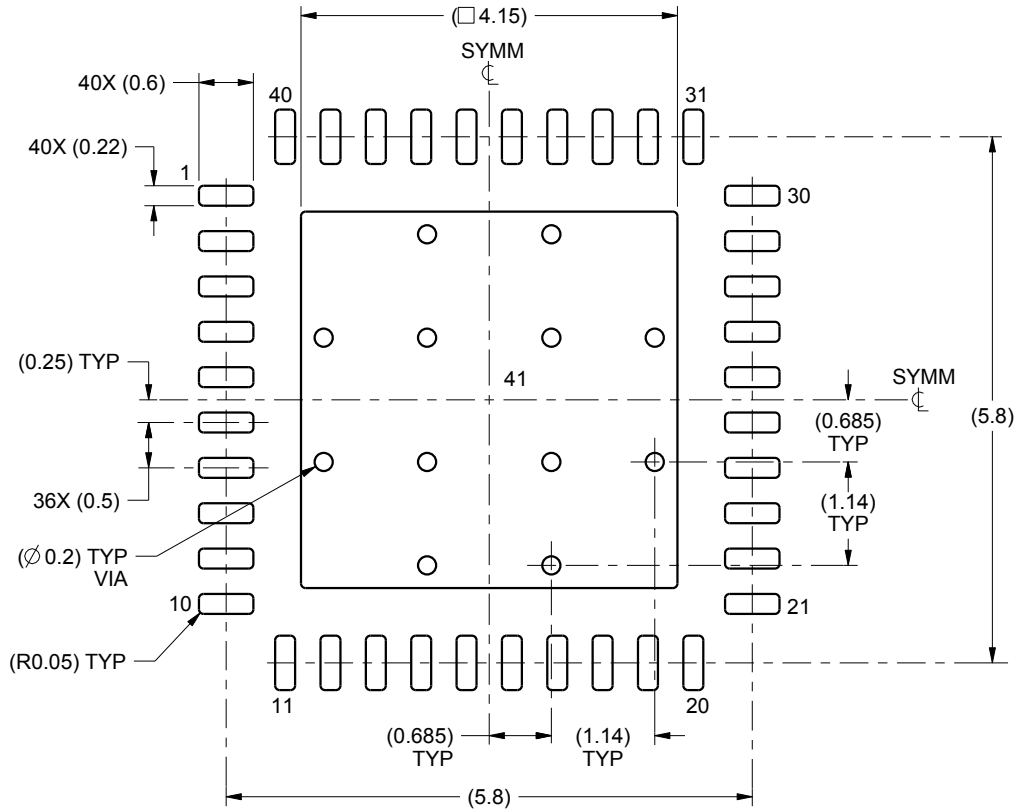
1. All linear dimensions are in millimeters. Any dimensions in parenthesis are for reference only. Dimensioning and tolerancing per ASME Y14.5M.
2. This drawing is subject to change without notice.
3. The package thermal pad must be soldered to the printed circuit board for thermal and mechanical performance.

# EXAMPLE BOARD LAYOUT

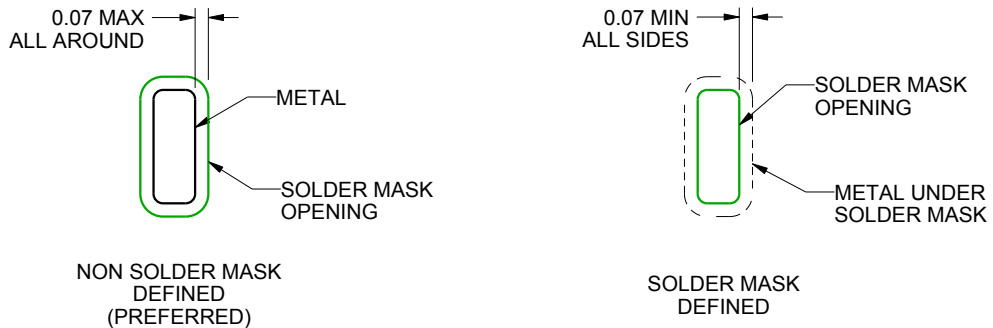
RHA0040B

VQFN - 1 mm max height

PLASTIC QUAD FLATPACK - NO LEAD



LAND PATTERN EXAMPLE  
SCALE:12X



SOLDER MASK DETAILS

4219052/A 06/2016

NOTES: (continued)

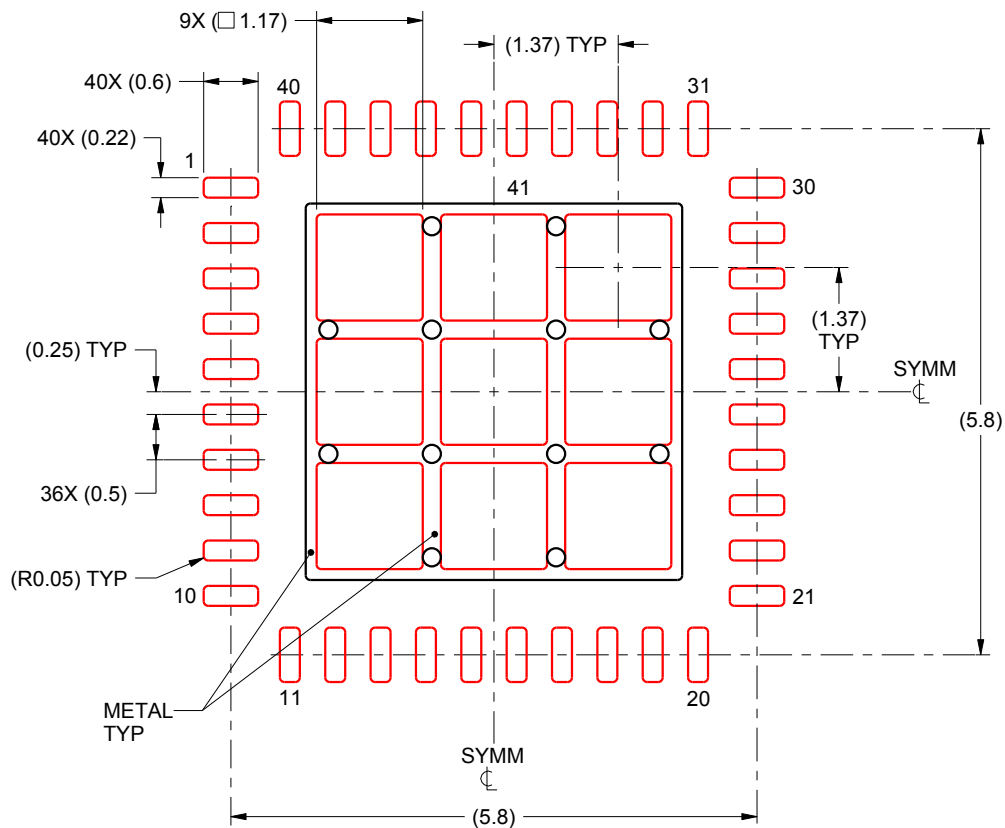
4. This package is designed to be soldered to a thermal pad on the board. For more information, see Texas Instruments literature number SLUA271 ([www.ti.com/lit/slua271](http://www.ti.com/lit/slua271)).

# EXAMPLE STENCIL DESIGN

RHA0040B

VQFN - 1 mm max height

PLASTIC QUAD FLATPACK - NO LEAD



**SOLDER PASTE EXAMPLE**  
BASED ON 0.125 mm THICK STENCIL

EXPOSED PAD 41:  
72% PRINTED SOLDER COVERAGE BY AREA UNDER PACKAGE  
SCALE:12X

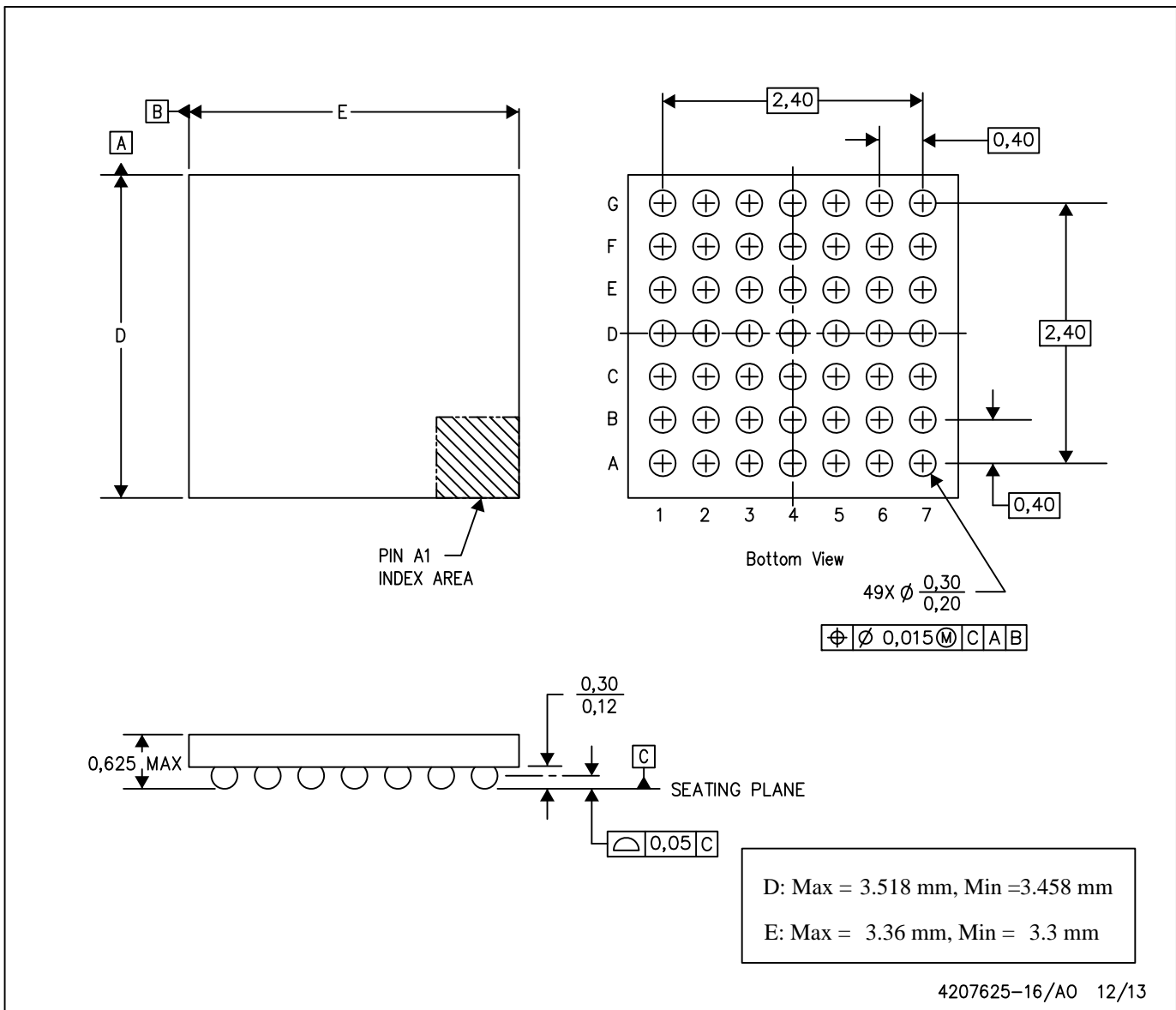
4219052/A 06/2016

NOTES: (continued)

5. Laser cutting apertures with trapezoidal walls and rounded corners may offer better paste release. IPC-7525 may have alternate design recommendations.

YFF (R-XBGA-N49)

DIE-SIZE BALL GRID ARRAY



- NOTES: A. All linear dimensions are in millimeters. Dimensioning and tolerancing per ASME Y14.5M-1994.  
 B. This drawing is subject to change without notice.  
 C. NanoFree™ package configuration.

NanoFree is a trademark of Texas Instruments.

## IMPORTANT NOTICE AND DISCLAIMER

TI PROVIDES TECHNICAL AND RELIABILITY DATA (INCLUDING DATASHEETS), DESIGN RESOURCES (INCLUDING REFERENCE DESIGNS), APPLICATION OR OTHER DESIGN ADVICE, WEB TOOLS, SAFETY INFORMATION, AND OTHER RESOURCES "AS IS" AND WITH ALL FAULTS, AND DISCLAIMS ALL WARRANTIES, EXPRESS AND IMPLIED, INCLUDING WITHOUT LIMITATION ANY IMPLIED WARRANTIES OF MERCHANTABILITY, FITNESS FOR A PARTICULAR PURPOSE OR NON-INFRINGEMENT OF THIRD PARTY INTELLECTUAL PROPERTY RIGHTS.

These resources are intended for skilled developers designing with TI products. You are solely responsible for (1) selecting the appropriate TI products for your application, (2) designing, validating and testing your application, and (3) ensuring your application meets applicable standards, and any other safety, security, regulatory or other requirements.

These resources are subject to change without notice. TI grants you permission to use these resources only for development of an application that uses the TI products described in the resource. Other reproduction and display of these resources is prohibited. No license is granted to any other TI intellectual property right or to any third party intellectual property right. TI disclaims responsibility for, and you fully indemnify TI and its representatives against any claims, damages, costs, losses, and liabilities arising out of your use of these resources.

TI's products are provided subject to [TI's Terms of Sale](#), [TI's General Quality Guidelines](#), or other applicable terms available either on [ti.com](#) or provided in conjunction with such TI products. TI's provision of these resources does not expand or otherwise alter TI's applicable warranties or warranty disclaimers for TI products. Unless TI explicitly designates a product as custom or customer-specified, TI products are standard, catalog, general purpose devices.

TI objects to and rejects any additional or different terms you may propose.

Copyright © 2025, Texas Instruments Incorporated

Last updated 10/2025