

## 8-CHANNEL HALF-DUPLEX M-LVDS LINE TRANSCEIVERS

### FEATURES

- **Low-Voltage Differential 30-Ω to 55-Ω Line Drivers and Receivers for Signaling Rates <sup>(1)</sup> Up to 250 Mbps; Clock Frequencies Up to 125 MHz**
- **Meets or Exceeds the M-LVDS Standard TIA/EIA-899 for Multipoint Data Interchange**
- **Controlled Driver Output Voltage Transition Times for Improved Signal Quality**
- **-1 V to 3.4 V Common-Mode Voltage Range Allows Data Transfer With 2 V of Ground Noise**
- **Bus Pins High Impedance When Driver Disabled or  $V_{CC} \leq 1.5$  V**
- **Independent Enables for each Driver**
- **Bus Pin ESD Protection Exceeds 8 kV**
- **Packaged in 64-Pin TSSOP (DGG)**
- **M-LVDS Bus Power Up/Down Glitch Free**

### APPLICATIONS

- **Parallel Multipoint Data and Clock Transmission Via Backplanes and Cables**
- **Low-Power High-Speed Short-Reach Alternative to TIA/EIA-485**
- **Cellular Base Stations**
- **Central-Office Switches**
- **Network Switches and Routers**

### DESCRIPTION

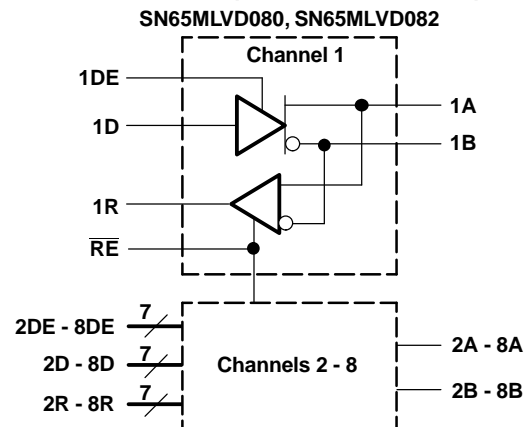
The SN65MLVD080 and SN65MLVD082 provide eight half-duplex transceivers for transmitting and receiving Multipoint-Low-Voltage Differential Signals in full compliance with the TIA/EIA-899 (M-LVDS) standard, which are optimized to operate at signaling rates up to 250 Mbps. The driver outputs have been designed to support multipoint buses presenting loads as low as 30-Ω and incorporates controlled transition times to allow for stubs off of the backbone transmission line.

- (1) The signaling rate of a line, is the number of voltage transitions that are made per second expressed in the units bps (bits per second).

The M-LVDS standard defines two types of receivers, designated as Type-1 and Type-2. Type-1 receivers (SN65MLVD080) have thresholds centered about zero with 25 mV of hysteresis to prevent output oscillations with loss of input; Type-2 receivers (SN65MLVD082) implement a failsafe by using an offset threshold. In addition, the driver rise and fall times are between 1 and 2.0 ns, complying with the M-LVDS standard to provide operation at 250 Mbps while also accommodating stubs on the bus. Receiver outputs are slew rate controlled to reduce EMI and crosstalk effects associated with large current surges. The M-LVDS standard allows for 32 nodes on the bus providing a high-speed replacement for RS-485 where lower common-mode can be tolerated or when higher signaling rates are needed.

The driver logic inputs and the receiver logic outputs are on separate pins rather than tied together as in some transceiver designs. The drivers have separate enables (DE) and the receivers are enabled globally through ( $\overline{RE}$ ). This arrangement of separate logic inputs, logic outputs, and enable pins allows for a listen-while-talking operation. The devices are characterized for operation from -40°C to 85°C.

### LOGIC DIAGRAM (POSITIVE LOGIC)



Please be aware that an important notice concerning availability, standard warranty, and use in critical applications of Texas Instruments semiconductor products and disclaimers thereto appears at the end of this data sheet.



These devices have limited built-in ESD protection. The leads should be shorted together or the device placed in conductive foam during storage or handling to prevent electrostatic damage to the MOS gates.

## ORDERING INFORMATION

PART NUMBER	RECEIVER TYPE	PACKAGE MARKING	PACKAGE/CARRIER
SN65MLVD080DGG	Type 1	MLVD080	64-Pin TSSOP/Tube
SM65MLVD080DGGR	Type 1	MLVD080	64-Pin TSSOP/Tape and Reeled
SN65MLVD082DGG	Type 2	MLVD082	64-Pin TSSOP/Tube
SM65MLVD082DGGR	Type 2	MLVD082	64-Pin TSSOP/Tape and Reeled

## PACKAGE DISSIPATION RATINGS

PACKAGE	PCB JEDEC STANDARD	$T_A \leq 25^\circ\text{C}$ POWER RATING	DERATING FACTOR <sup>(1)</sup> ABOVE $T_A = 25^\circ\text{C}$	$T_A = 85^\circ\text{C}$ POWER RATING
DGG	Low-K <sup>(2)</sup>	1204.7 mW	10.5 mW/°C	576 mW
DGG	High-K <sup>(3)</sup>	1839.4 mW	16.0 mW/°C	880 mW

(1) This is the inverse of the junction-to-ambient thermal resistance when board mounted and with no air flow.

(2) In accordance with the Low-K thermal metric definitions of EIA/JESD51-3.

(3) In accordance with the High-K thermal metric definitions of EIA/JESD51-7.

## THERMAL CHARACTERISTICS

PARAMETER	TEST CONDITIONS	MIN	TYP	MAX	UNIT
$\theta_{JB}$ Junction-to-board thermal resistance			41.08		°C/W
$\theta_{JC}$ Junction-to-case thermal resistance			6.78		°C/W
Device power dissipation	$V_{CC} = 3.3\text{ V}$ , $DE = V_{CC}$ , $\overline{RE} = \text{GND}$ , $C_L = 15\text{ pF}$ , $R_L = 50\ \Omega$ , 250 Mbps random data on each input		477		mW
	$V_{CC} = 3.6\text{ V}$ , $DE = V_{CC}$ , $\overline{RE} = \text{GND}$ , $C_L = 15\text{ pF}$ , $R_L = 50\ \Omega$ , 250 Mbps data on one input and 125 MHz clock on the others			854 <sup>(1)</sup>	

(1) When all channels are running at a 125-MHz clock frequency, a 250 lfm is required for a low-K board, and 150 lfm is required for a high-K board. In such applications, a TI 1:8 or dual 1:4 M-LVDS buffer is highly recommended, SN65MLVD128 or SN65MLVD129, to fan out clock signals in multiple paths.

## ABSOLUTE MAXIMUM RATINGS

over operating free-air temperature range unless otherwise noted<sup>(1)</sup>

		SN65MLVD080, 082	
Supply voltage range <sup>(2)</sup> , $V_{CC}$		-0.5 V to 4 V	
Input voltage range	D, DE, $\overline{RE}$	-0.5 V to 4 V	
	A, B	-1.8 V to 4 V	
Output voltage range	R	-0.3 V to 4 V	
	A, or B	-1.8 V to 4 V	
Electrostatic discharge	Human Body Model <sup>(3)</sup>	A, B	±8 kV
		All pins	±2 kV
	Charged-Device Model <sup>(4)</sup>	All pins	±1500 V
Continuous power dissipation		See Dissipation Rating Table	
Storage temperature range		-65°C to 150°C	

(1) Stresses beyond those listed under *absolute maximum ratings* may cause permanent damage to the device. These are stress ratings only, and functional operation of the device at these or any other conditions beyond those indicated under *recommended operating conditions* is not implied. Exposure to absolute-maximum-rated conditions for extended periods may affect device reliability.

(2) All voltage values, except differential I/O bus voltages, are with respect to network ground terminal.

(3) Tested in accordance with JEDEC Standard 22, Test Method A114-A.

(4) Tested in accordance with JEDEC Standard 22, Test Method C101.

## RECOMMENDED OPERATING CONDITIONS

	MIN	NOM	MAX	UNIT
$V_{CC}$ Supply voltage	3	3.3	3.6	V
$V_{IH}$ High-level input voltage	2		$V_{CC}$	V
$V_{IL}$ Low-level input voltage	GND		0.8	V
Voltage at any bus terminal $V_A$ or $V_B$	-1.4		3.8	V
$ V_{ID} $ Magnitude of differential input voltage	0.05		$V_{CC}$	V
$T_A$ Operating free-air temperature	-40		85	°C
Maximum junction temperature			140	°C

## DEVICE ELECTRICAL CHARACTERISTICS

over recommended operating conditions unless otherwise noted

PARAMETER		TEST CONDITIONS	MIN	TYP <sup>(1)</sup>	MAX	UNIT
$I_{CC}$ Supply current	Driver only	$\overline{RE}$ and DE at $V_{CC}$ , $R_L = 50 \Omega$ , All others open		110	140	mA
	Both disabled	$\overline{RE}$ at $V_{CC}$ , DE at 0 V, $R_L = \text{No Load}$ , All others open		5	8	
	Both enabled	$\overline{RE}$ at 0 V, DE at $V_{CC}$ , $R_L = 50 \Omega$ , $C_L = 15 \text{ pF}$ , All others open		140	180	
	Receiver only	$\overline{RE}$ at 0 V, DE at 0 V, $C_L = 15 \text{ pF}$ , All others open		38	50	

(1) All typical values are at 25°C and with a 3.3-V supply voltage.

## DRIVER ELECTRICAL CHARACTERISTICS

over recommended operating conditions unless otherwise noted

PARAMETER		TEST CONDITIONS	MIN <sup>(1)</sup>	TYP <sup>(2)</sup>	MAX	UNIT
$ V_{AB} $	Differential output voltage magnitude (A, B)	See <a href="#">Figure 2</a>	480		650	mV
$\Delta V_{AB} $	Change in differential output voltage magnitude between logic states (A, B)		-50		50	mV
$V_{OS(SS)}$	Steady-state common-mode output voltage (A, B)	See <a href="#">Figure 3</a>	0.8		1.2	V
$\Delta V_{OS(SS)}$	Change in steady-state common-mode output voltage between logic states (A, B)		-50		50	mV
$V_{OS(PP)}$	Peak-to-peak common-mode output voltage (A, B)				150	mV
$V_{A(OC)}$	Maximum steady-state open-circuit output voltage (A, B)	See <a href="#">Figure 7</a>	0		2.4	V
$V_{B(OC)}$	Maximum steady-state open-circuit output voltage (A, B)		0		2.4	V
$V_{P(H)}$	Voltage overshoot, low-to-high level output (A, B)	See <a href="#">Figure 5</a>			1.2 $V_{SS}$	V
$V_{P(L)}$	Voltage overshoot, high-to-low level output (A, B)		-0.2 $V_{SS}$			V
$I_{IH}$	High-level input current (D, DE)	$V_{IH} = 2 \text{ V to } V_{CC}$			10	$\mu\text{A}$
$I_{IL}$	Low-level input current (D, DE)	$V_{IL} = \text{GND to } 0.8 \text{ V}$			10	$\mu\text{A}$
$ I_{OS} $	Differential short-circuit output current magnitude (A, B)	See <a href="#">Figure 4</a>			24	mA
$C_i$	Input capacitance (D, DE)	$V_i = 0.4 \sin(30E6\pi t) + 0.5 \text{ V}$ <sup>(3)</sup>		5		pF

(1) The algebraic convention, in which the least positive (most negative) limit is designated as minimum is used in this data sheet.

(2) All typical values are at 25°C and with a 3.3-V supply voltage.

(3) HP4194A impedance analyzer (or equivalent)

## RECEIVER ELECTRICAL CHARACTERISTICS

over recommended operating conditions unless otherwise noted

PARAMETER		TEST CONDITIONS	MIN	TYP <sup>(1)</sup>	MAX	UNIT
V <sub>IT+</sub>	Positive-going differential input voltage threshold (A, B)	Type 1			50	mV
		Type 2			150	
V <sub>IT-</sub>	Negative-going differential input voltage threshold (A, B)	Type 1	See Figure 9, Table 1 and Table 2		-50	mV
		Type 2			50	
V <sub>HYS</sub>	Differential input voltage hysteresis, (V <sub>IT+</sub> – V <sub>IT-</sub> ) (A, B)	Type 1			25	mV
		Type 2			0	
V <sub>OH</sub>	High-level output voltage (R)	I <sub>OH</sub> = –8 mA	2.4			V
V <sub>OL</sub>	Low-level output voltage (R)	I <sub>OL</sub> = 8 mA			0.4	V
I <sub>IH</sub>	High-level input current ( $\overline{RE}$ )	V <sub>IH</sub> = 2 V to V <sub>CC</sub>	-10			μA
I <sub>IL</sub>	Low-level input current ( $\overline{RE}$ )	V <sub>IL</sub> = GND to 0.8 V	-10			μA
I <sub>OZ</sub>	High-impedance output current (R)	V <sub>O</sub> = 0 V or V <sub>CC</sub>	-10		15	μA

(1) All typical values are at 25°C and with a 3.3-V supply voltage.

## BUS INPUT AND OUTPUT ELECTRICAL CHARACTERISTICS

over recommended operating conditions unless otherwise noted

PARAMETER		TEST CONDITIONS	MIN	TYP <sup>(1)</sup>	MAX	UNIT
I <sub>A</sub>	Receiver or transceiver with driver disabled input current	V <sub>A</sub> = 3.8 V, V <sub>B</sub> = 1.2 V	0		32	μA
		V <sub>A</sub> = 0 V or 2.4 V, V <sub>B</sub> = 1.2 V	-20		20	
		V <sub>A</sub> = –1.4 V, V <sub>B</sub> = 1.2 V	-32		0	
I <sub>B</sub>	Receiver or transceiver with driver disabled input current	V <sub>B</sub> = 3.8 V, V <sub>A</sub> = 1.2 V	0		32	μA
		V <sub>B</sub> = 0 V or 2.4 V, V <sub>A</sub> = 1.2 V	-20		20	
		V <sub>B</sub> = –1.4 V, V <sub>A</sub> = 1.2 V	-32		0	
I <sub>AB</sub>	Receiver or transceiver with driver disabled differential input current (I <sub>A</sub> – I <sub>B</sub> )	V <sub>A</sub> = V <sub>B</sub> , 1.4 ≤ V <sub>A</sub> ≤ 3.8 V	-4		4	μA
I <sub>A(OFF)</sub>	Receiver or transceiver power-off input current	V <sub>A</sub> = 3.8 V, V <sub>B</sub> = 1.2 V, 0 V ≤ V <sub>CC</sub> ≤ 1.5 V	0		32	μA
		V <sub>A</sub> = 0 V or 2.4 V, V <sub>B</sub> = 1.2 V, 0 V ≤ V <sub>CC</sub> ≤ 1.5 V	-20		20	
		V <sub>A</sub> = –1.4 V, V <sub>B</sub> = 1.2 V, 0 V ≤ V <sub>CC</sub> ≤ 1.5 V	-32		0	
I <sub>B(OFF)</sub>	Receiver or transceiver power-off input current	V <sub>B</sub> = 3.8 V, V <sub>A</sub> = 1.2 V, 0 V ≤ V <sub>CC</sub> ≤ 1.5 V	0		32	μA
		V <sub>B</sub> = 0 V or 2.4 V, V <sub>A</sub> = 1.2 V, 0 V ≤ V <sub>CC</sub> ≤ 1.5 V	-20		20	
		V <sub>B</sub> = –1.4 V, V <sub>A</sub> = 1.2 V, 0 V ≤ V <sub>CC</sub> ≤ 1.5 V	-32		0	
I <sub>AB(OFF)</sub>	Receiver input or transceiver power-off differential input current (I <sub>A(off)</sub> – I <sub>B(off)</sub> )	V <sub>A</sub> = V <sub>B</sub> , 0 V ≤ V <sub>CC</sub> ≤ 1.5 V, –1.4 ≤ V <sub>A</sub> ≤ 3.8 V	-4		4	μA
C <sub>A</sub>	Transceiver with driver disabled input capacitance	V <sub>A</sub> = 0.4 sin (30E6πt) + 0.5 V <sup>(2)</sup> , V <sub>B</sub> = 1.2 V			5	pF
C <sub>B</sub>	Transceiver with driver disabled input capacitance	V <sub>B</sub> = 0.4 sin (30E6πt) + 0.5 V <sup>(2)</sup> , V <sub>A</sub> = 1.2 V			5	pF
C <sub>AB</sub>	Transceiver with driver disabled differential input capacitance	V <sub>AB</sub> = 0.4 sin (30E6πt)V <sup>(2)</sup>			3	pF
C <sub>A/B</sub>	Transceiver with driver disabled input capacitance balance, (C <sub>A</sub> /C <sub>B</sub> )		0.99		1.01	

(1) All typical values are at 25°C and with a 3.3-V supply voltage.

(2) HP4194A impedance analyzer (or equivalent)

## DRIVER SWITCHING CHARACTERISTICS

over recommended operating conditions unless otherwise noted

PARAMETER		TEST CONDITIONS	MIN	TYP <sup>(1)</sup>	MAX	UNIT
$t_{pLH}$	Propagation delay time, low-to-high-level output	See Figure 5	1	1.5	2.4	ns
$t_{pHL}$	Propagation delay time, high-to-low-level output		1	1.5	2.4	ns
$t_r$	Differential output signal rise time		1		2	ns
$t_f$	Differential output signal fall time		1		2	ns
$t_{sk(o)}$	Output skew				350	ps
$t_{sk(p)}$	Pulse skew ( $ t_{pHL} - t_{pLH} $ )			0	150	ps
$t_{sk(pp)}$	Part-to-part skew <sup>(2)</sup>				600	ps
$t_{jit(per)}$	Period jitter, rms (1 standard deviation) <sup>(3)</sup>		100 MHz clock input <sup>(4)</sup>		4	ps
$t_{jit(c-c)}$	Cycle-to-cycle jitter, rms				45	ps
$t_{jit(det)}$	Deterministic jitter		200 Mbps 2 <sup>15</sup> -1 PRBS input <sup>(5)</sup>			150
$t_{jit(pp)}$	Peak-to-peak jitter <sup>(2)(6)</sup>				190	ps
$t_{PZH}$	Enable time, high-impedance-to-high-level output	See Figure 6				7
$t_{PZL}$	Enable time, high-impedance-to-low-level output				7	ns
$t_{PHZ}$	Disable time, high-level-to-high-impedance output				7	ns
$t_{PLZ}$	Disable time, low-level-to-high-impedance output				7	ns

(1) All typical values are at 25°C and with a 3.3-V supply voltage.

(2)  $t_{sk(pp)}$  is the magnitude of the time difference in propagation delay times between any specified terminals of two devices when both devices operate with the same supply voltages, at the same temperature, and have identical packages and test circuits.

(3) Jitter is ensured by design and characterization. Stimulus jitter has been subtracted from the numbers.

(4)  $t_r = t_f = 0.5$  ns (10% to 90%), measured over 30 k samples.

(5)  $t_r = t_f = 0.5$  ns (10% to 90%), measured over 100 k samples.

(6) Peak-to-peak jitter includes jitter due to pulse skew ( $t_{sk(p)}$ ).

## RECEIVER SWITCHING CHARACTERISTICS

over recommended operating conditions unless otherwise noted

PARAMETER		TEST CONDITIONS	MIN	TYP <sup>(1)</sup>	MAX	UNIT
$t_{pLH}$	Propagation delay time, low-to-high-level output	$C_L = 15$ pF, See <a href="#">Figure 10</a>	2	4	6	ns
$t_{pHL}$	Propagation delay time, high-to-low-level output		2	4	6	ns
$t_r$	Output signal rise time		1		2.3	ns
$t_f$	Output signal fall time		1		2.3	ns
$t_{sk(o)}$	Output skew				350	ps
$t_{sk(p)}$	Pulse skew ( $ t_{pHL} - t_{pLH} $ )			50	350	ps
$t_{sk(pp)}$	Part-to-part skew <sup>(2)</sup>				1	ns
$t_{jit(per)}$	Period jitter, rms (1 standard deviation) <sup>(3)</sup>	100 MHz clock input <sup>(4)</sup>			7	ps
$t_{jit(c-c)}$	Cycle-to-cycle jitter, rms				110	ps
$t_{jit(det)}$	Deterministic jitter	Type 1			550	ps
		Type 2			480	ps
$t_{jit(pp)}$	Peak-to-peak jitter <sup>(3)(6)</sup>	Type 1			720	ps
		Type 2			660	ps
$t_{pZH}$	Enable time, high-impedance-to-high-level output	$C_L = 15$ pF, See <a href="#">Figure 11</a>			30	ns
$t_{pZL}$	Enable time, high-impedance-to-low-level output				30	ns
$t_{pHZ}$	Disable time, high-level-to-high-impedance output				18	ns
$t_{pLZ}$	Disable time, low-level-to-high-impedance output				28	ns
			200 Mbps 2 <sup>15</sup> -1 PRBS input <sup>(5)</sup>			

(1) All typical values are at 25°C and with a 3.3-V supply voltage.

(2)  $t_{sk(pp)}$  is the magnitude of the time difference in propagation delay times between any specified terminals of two devices when both devices operate with the same supply voltages, at the same temperature, and have identical packages and test circuits.

(3) Jitter is ensured by design and characterization. Stimulus jitter has been subtracted from the numbers.

(4)  $V_{ID} = 200$  mV<sub>pp</sub> ('080),  $V_{ID} = 400$  mV<sub>pp</sub> ('082),  $V_{cm} = 1$  V,  $t_r = t_f = 0.5$  ns (10% to 90%), measured over 30 k samples.

(5)  $V_{ID} = 200$  mV<sub>pp</sub> ('080),  $V_{ID} = 400$  mV<sub>pp</sub> ('082),  $V_{cm} = 1$  V,  $t_r = t_f = 0.5$  ns (10% to 90%), measured over 100 k samples.

(6) Peak-to-peak jitter includes jitter due to pulse skew ( $t_{sk(p)}$ ).

PARAMETER MEASUREMENT INFORMATION

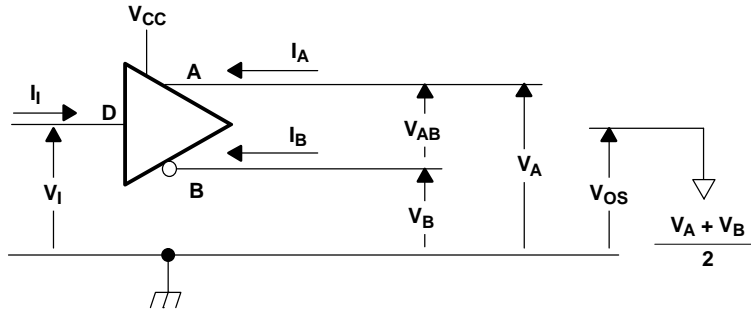
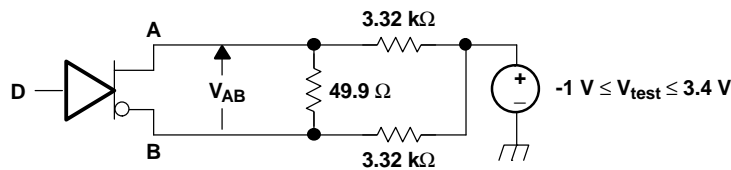
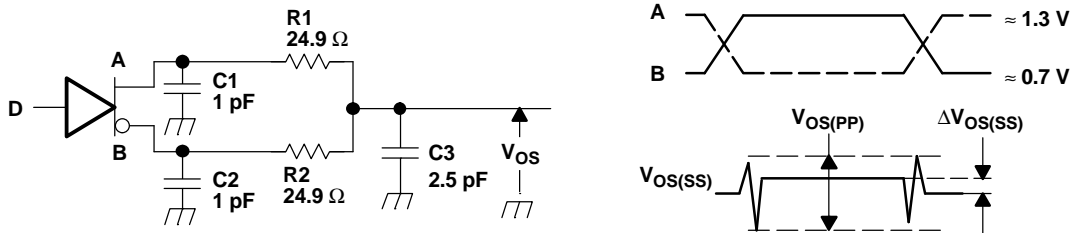


Figure 1. Driver Voltage and Current Definitions



NOTE: All resistors are 1% tolerance.

Figure 2. Differential Output Voltage Test Circuit



- A. All input pulses are supplied by a generator having the following characteristics:  $t_r$  or  $t_f \leq 1$  ns, pulse frequency = 1 MHz, duty cycle =  $50 \pm 5\%$ .
- B. C1, C2 and C3 include instrumentation and fixture capacitance within 2 cm of the D.U.T. and are  $\pm 20\%$ .
- C. R1 and R2 are metal film, surface mount,  $\pm 1\%$ , and located within 2 cm of the D.U.T.
- D. The measurement of  $V_{OS(PP)}$  is made on test equipment with a  $-3$  dB bandwidth of at least 1 GHz.

Figure 3. Test Circuit and Definitions for the Driver Common-Mode Output Voltage

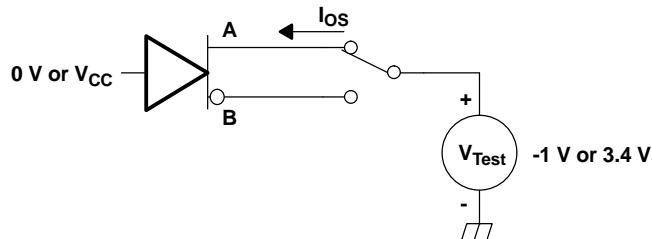
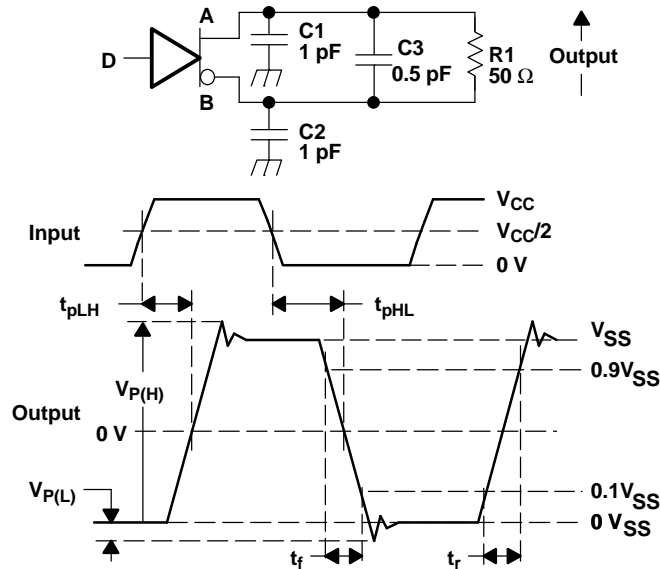


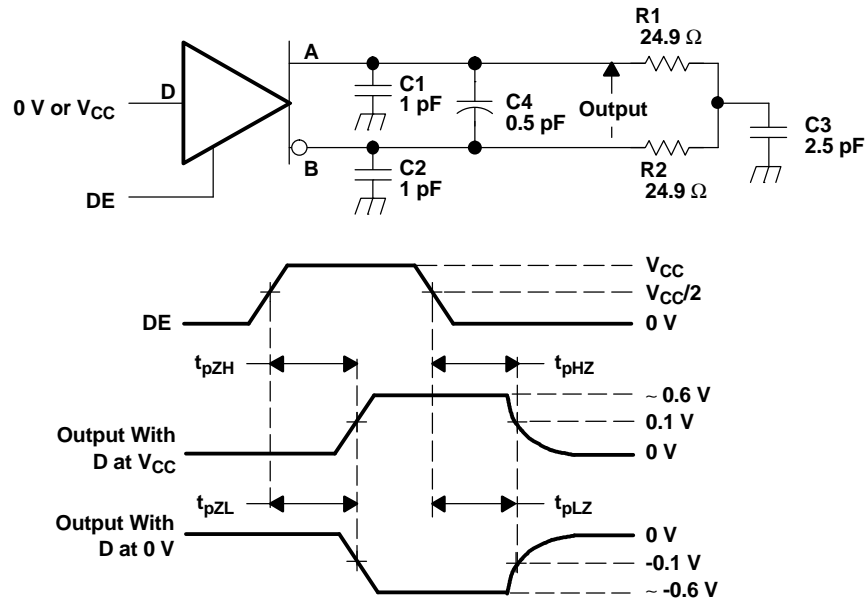
Figure 4. Driver Short-Circuit Test Circuit

PARAMETER MEASUREMENT INFORMATION (continued)



- A. All input pulses are supplied by a generator having the following characteristics:  $t_r$  or  $t_f \leq 1$  ns, frequency = 1 MHz, duty cycle =  $50 \pm 5\%$ .
- B. C1, C2, and C3 include instrumentation and fixture capacitance within 2 cm of the D.U.T. and are  $\pm 20\%$ .
- C. R1 is a metal film, surface mount, and 1% tolerance and located within 2 cm of the D.U.T.
- D. The measurement is made on test equipment with a  $-3$  dB bandwidth of at least 1 GHz.

Figure 5. Driver Test Circuit, Timing, and Voltage Definitions for the Differential Output Signal



- A. All input pulses are supplied by a generator having the following characteristics:  $t_r$  or  $t_f \leq 1$  ns, frequency = 1 MHz, duty cycle =  $50 \pm 5\%$ .
- B. C1, C2, C3, and C4 includes instrumentation and fixture capacitance within 2 cm of the D.U.T. and are  $\pm 20\%$ .
- C. R1 and R2 are metal film, surface mount, and 1% tolerance and located within 2 cm of the D.U.T.
- D. The measurement is made on test equipment with a  $-3$  dB bandwidth of at least 1 GHz.

Figure 6. Driver Enable and Disable Time Circuit and Definitions

PARAMETER MEASUREMENT INFORMATION (continued)

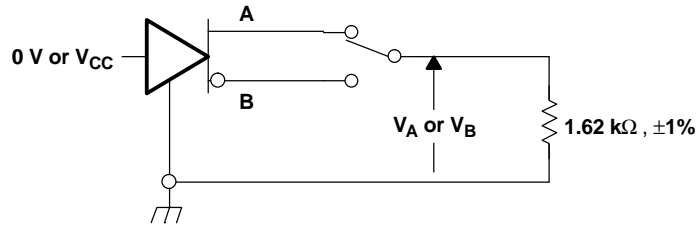
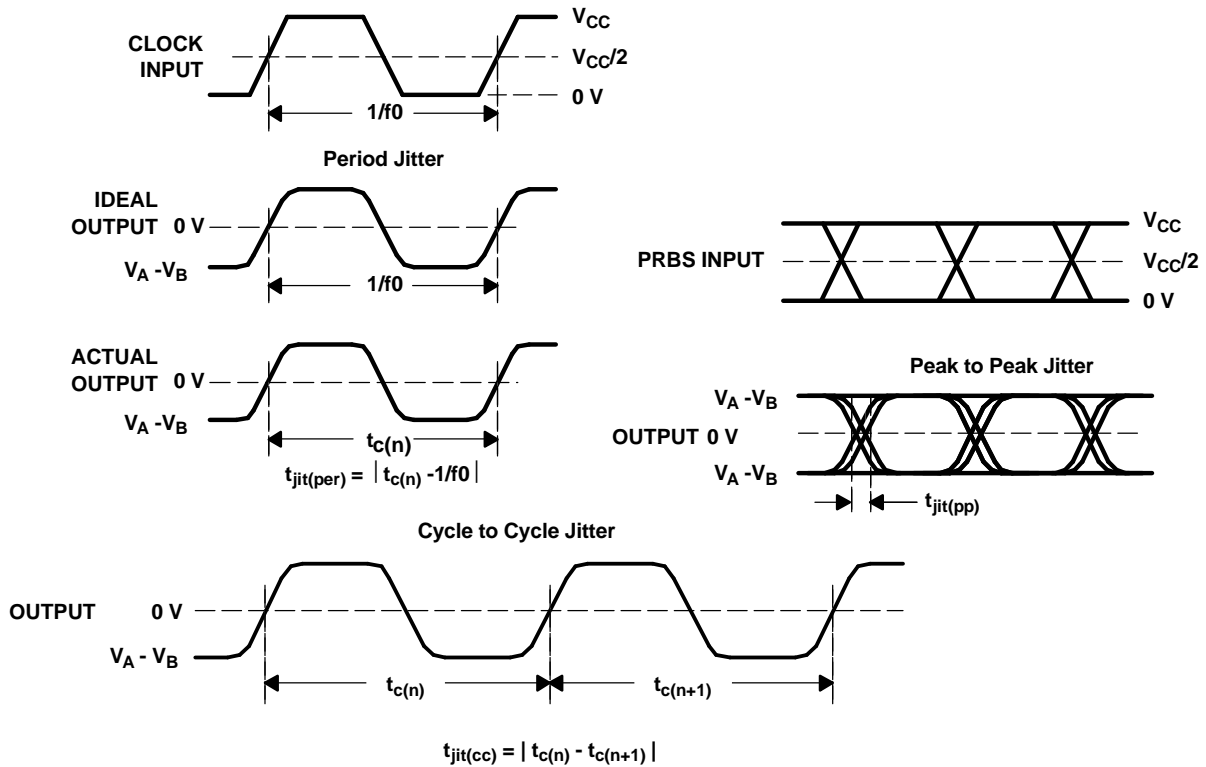


Figure 7. Maximum Steady State Output Voltage



- A. All input pulses are supplied by an Agilent 8304A Stimulus System with plug-in TBD.
- B. The measurement is made on a TEK TDS6604 running TDSJIT3 application software
- C. Period jitter and cycle-to-cycle jitter are measured using a 100 MHz 50 ±1% duty cycle clock input.
- D. Peak-to-peak jitter and deterministic jitter are measured using a 200 Mbps 2<sup>15</sup>-1 PRBS input.

Figure 8. Driver Jitter Measurement Waveforms

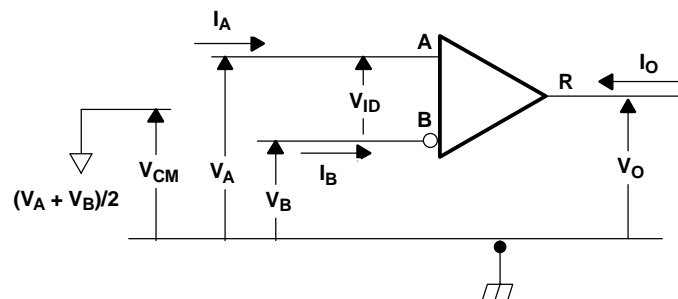


Figure 9. Receiver Voltage and Current Definitions

Table 1. Type-1 Receiver Input Threshold Test Voltages

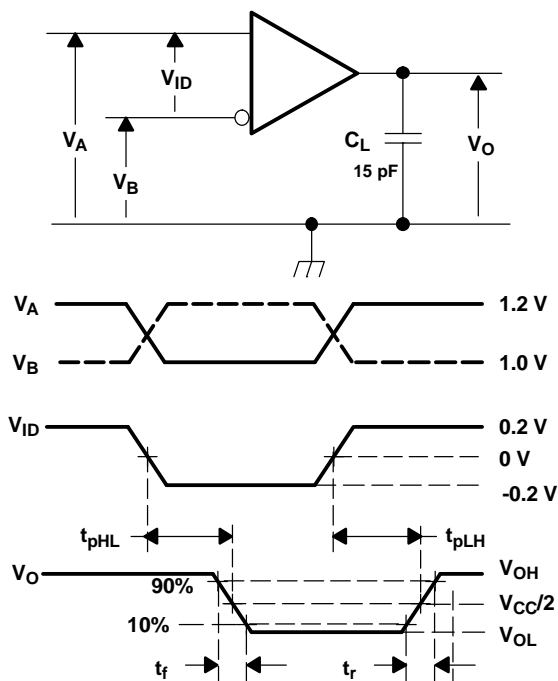
APPLIED VOLTAGES		RESULTING DIFFERENTIAL INPUT VOLTAGE	RESULTING COMMON-MODE INPUT VOLTAGE	RECEIVER OUTPUT <sup>(1)</sup>
V <sub>IA</sub>	V <sub>IB</sub>	V <sub>ID</sub>	V <sub>IC</sub>	
2.400	0.000	2.400	1.200	H
0.000	2.400	-2.400	1.200	L
3.400	3.350	0.050	3.375	H
3.350	3.400	-0.050	3.375	L
-1.350	-1.400	0.050	-1.375	H
-1.400	-1.350	-0.050	-1.375	L

(1) H= high level, L = low level, output state assumes receiver is enabled ( $\overline{RE} = L$ )

Table 2. Type-2 Receiver Input Threshold Test Voltages

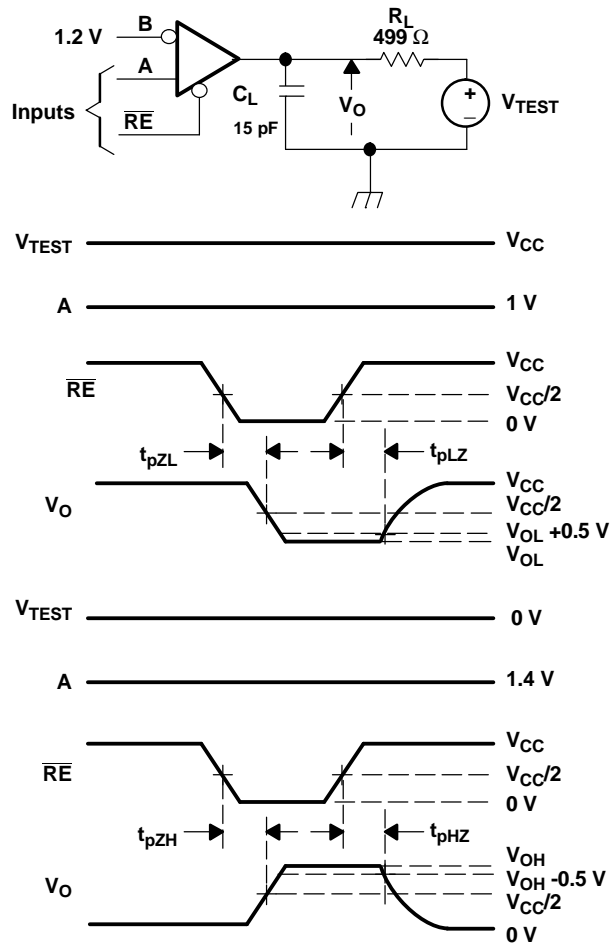
APPLIED VOLTAGES		RESULTING DIFFERENTIAL INPUT VOLTAGE	RESULTING COMMON-MODE INPUT VOLTAGE	RECEIVER OUTPUT <sup>(1)</sup>
V <sub>IA</sub>	V <sub>IB</sub>	V <sub>ID</sub>	V <sub>IC</sub>	
2.400	0.000	2.400	1.200	H
0.000	2.400	-2.400	1.200	L
3.400	3.250	0.150	3.325	H
3.400	3.350	0.050	3.375	L
-1.250	-1.400	0.150	-1.325	H
-1.350	-1.400	0.050	-1.375	L

(1) H= high level, L = low level, output state assumes receiver is enabled ( $\overline{RE} = L$ )



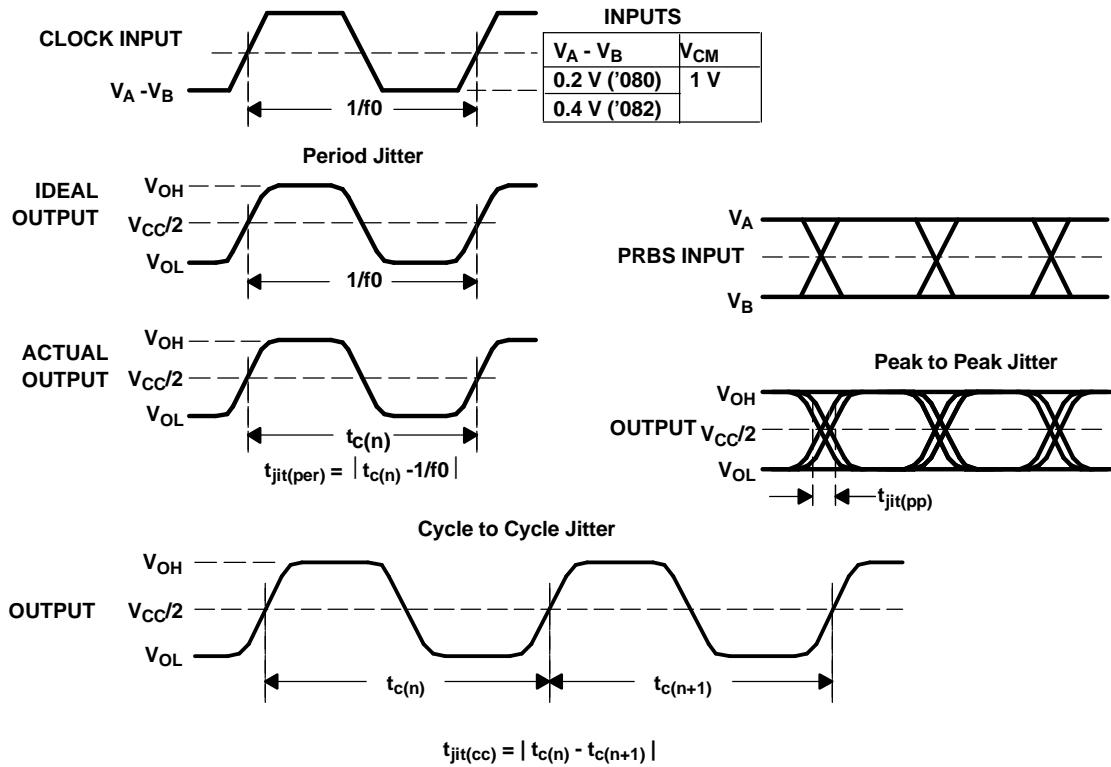
- A. All input pulses are supplied by a generator having the following characteristics:  $t_r$  or  $t_f \leq 1$  ns, frequency = 1 MHz, duty cycle =  $50 \pm 5\%$ .  $C_L$  is a combination of a 20%-tolerance, low-loss ceramic, surface-mount capacitor and fixture capacitance within 2 cm of the D.U.T.
- B. The measurement is made on test equipment with a -3 dB bandwidth of at least 1 GHz.

Figure 10. Receiver Timing Test Circuit and Waveforms



- All input pulses are supplied by a generator having the following characteristics:  $t_r$  or  $t_f \leq 1$  ns, frequency = 1 MHz, duty cycle =  $50 \pm 5\%$ .
- $R_L$  is 1% tolerance, metal film, surface mount, and located within 2 cm of the D.U.T.
- $C_L$  is the instrumentation and fixture capacitance within 2 cm of the DUT and  $\pm 20\%$ . The measurement is made on test equipment with a -3 dB bandwidth of at least 1 GHz.

**Figure 11. Receiver Enable/Disable Time Test Circuit and Waveforms**



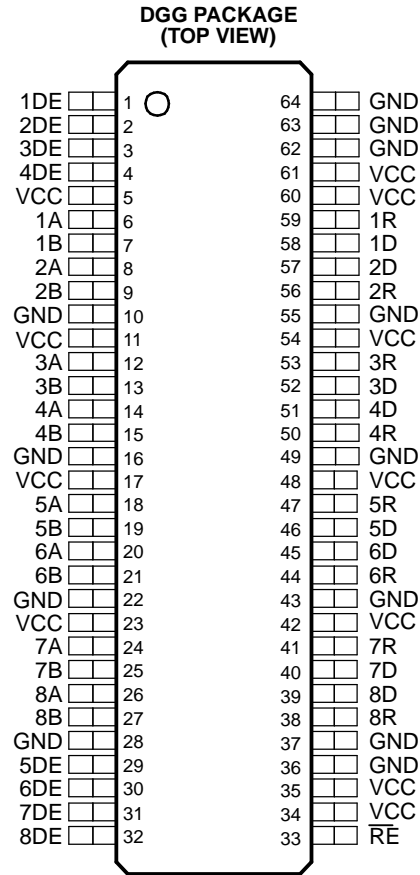
- A. All input pulses are supplied by an Agilent 8304A Stimulus System with plug-in TBD.
- B. The measurement is made on a TEK TDS6604 running TDSJIT3 application software
- C. Period jitter and cycle-to-cycle jitter are measured using a 100 MHz 50 ±1% duty cycle clock input.
- D. Peak-to-peak jitter and deterministic jitter are measured using a 200 Mbps 2<sup>15</sup>-1 PRBS input.

**Figure 12. Receiver Jitter Measurement Waveforms**

**Table 3. Terminal Functions**

NAME	PIN		TYPE	DESCRIPTION
		NO.		
1D-8D	58, 57, 52, 51, 46, 45, 40, 39		Input	Data inputs for drivers
1R-8R	59, 56, 53, 50, 47, 44, 41, 38		Output	Data output for receivers
1A-8A	6, 8, 12, 14, 18, 20, 24, 26		Bus I/O	M-LVDS bus noninverting input/output
1B-8B	7, 9, 13, 15, 19, 21, 25, 27		Bus I/O	M-LVDS bus inverting input/output
GND	10, 16, 22, 28, 36, 37, 43, 49, 55, 62, 63, 64		Power	Circuit ground
V <sub>CC</sub>	5, 11, 17, 23, 34, 35, 42, 48, 54, 60, 61		Power	Supply voltage
$\overline{RE}$	33		Input	Receiver enable, active low, enables all receivers
1DE-8DE	1, 2, 3, 4, 29, 30, 31, 32		Input	Driver enable, active high, individual enables

**PIN ASSIGNMENTS**



**DEVICE FUNCTION TABLE**

**RECEIVER (080)**

INPUTS		OUTPUT
$V_{ID} = V_A - V_B$	RE	R
$V_{ID} \geq 50 \text{ mV}$	L	H
$-50 \text{ mV} < V_{ID} < 50 \text{ mV}$	L	?
$V_{ID} \leq -50 \text{ mV}$	L	L
X	H	Z
X	Open	Z
Open Circuit	L	?

**RECEIVER (082)**

INPUTS		OUTPUT
$V_{ID} = V_A - V_B$	RE	R
$V_{ID} \geq 150 \text{ mV}$	L	H
$50 \text{ mV} < V_{ID} < 150 \text{ mV}$	L	?
$V_{ID} \leq 50 \text{ mV}$	L	L
X	H	Z
X	Open	Z
Open Circuit	L	L

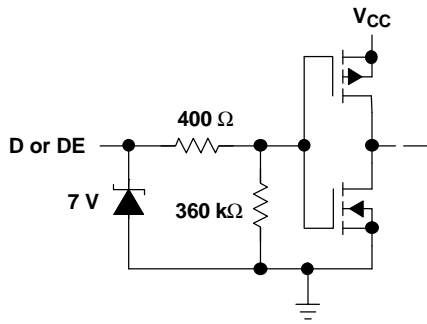
**DRIVERS**

INPUT	ENABLE	OUTPUTS	
		A OR Y	B OR Z
L	H	L	H
H	H	H	L
OPEN	H	L	H
X	OPEN	Z	Z
X	L	Z	Z

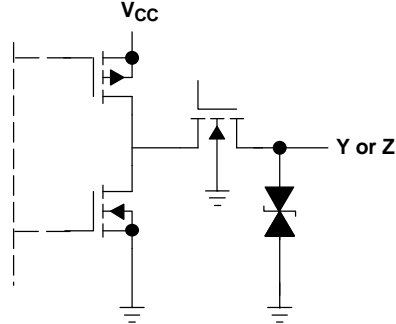
H = high level, L = low level, Z = high impedance, X = Don't care, ? = indeterminate

EQUIVALENT INPUT AND OUTPUT SCHEMATIC DIAGRAMS

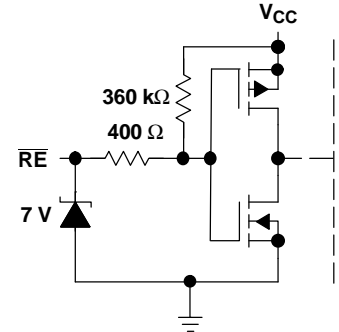
DRIVER INPUT AND DRIVER ENABLE



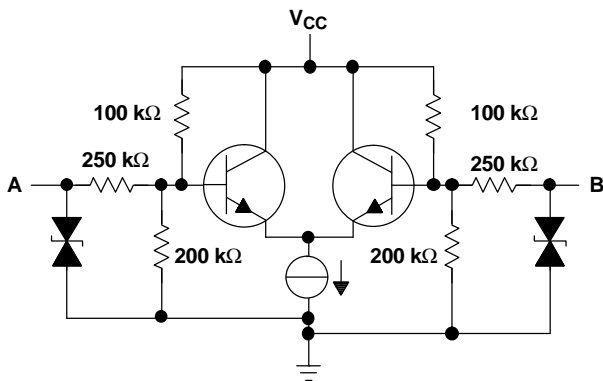
DRIVER OUTPUT



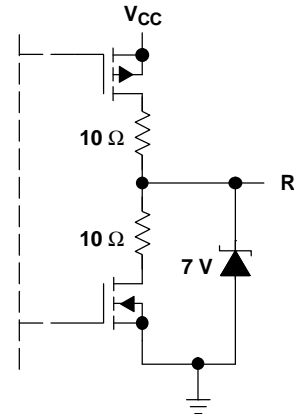
RECEIVER ENABLE



RECEIVER INPUT



RECEIVER OUTPUT



**TYPICAL CHARACTERISTICS**

**SUPPLY CURRENT  
VS  
FREQUENCY**

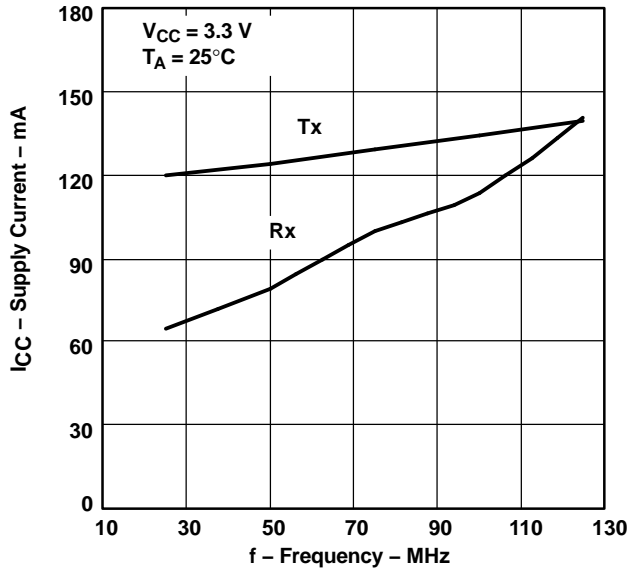


Figure 13.

**SUPPLY CURRENT  
VS  
FREE-AIR TEMPERATURE**

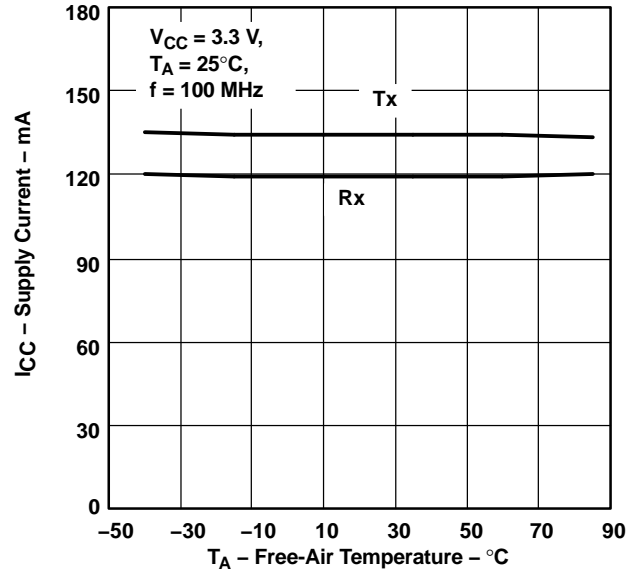


Figure 14.

**DIFFERENTIAL OUTPUT VOLTAGE  
VS  
FREQUENCY**

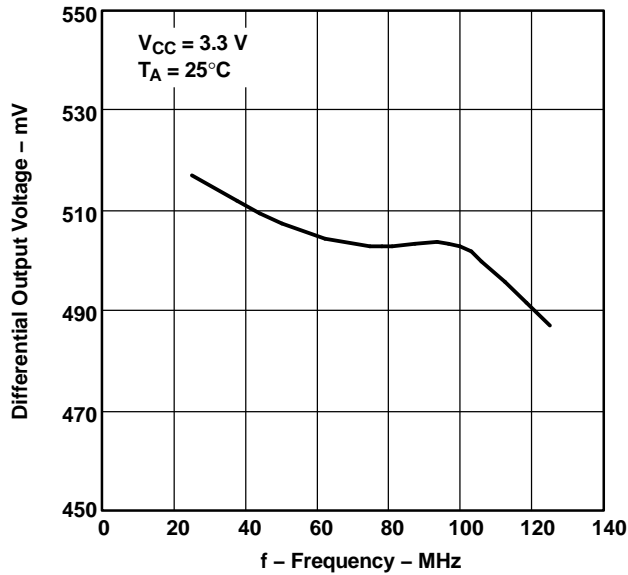


Figure 15.

**DIFFERENTIAL OUTPUT VOLTAGE  
VS  
OUTPUT RESISTANCE**

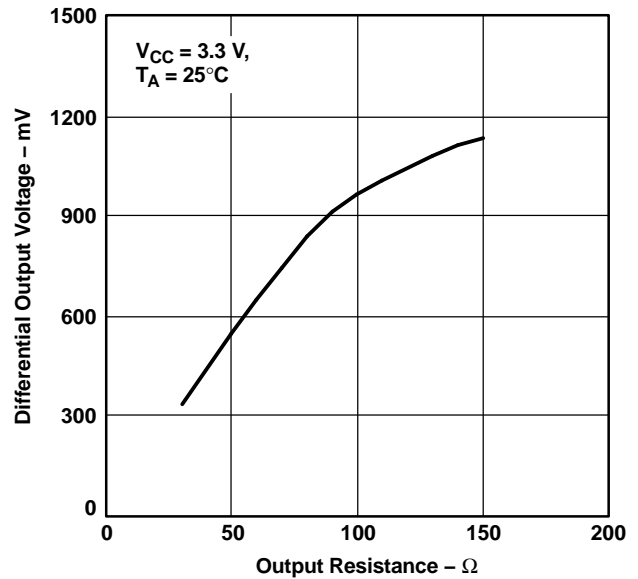
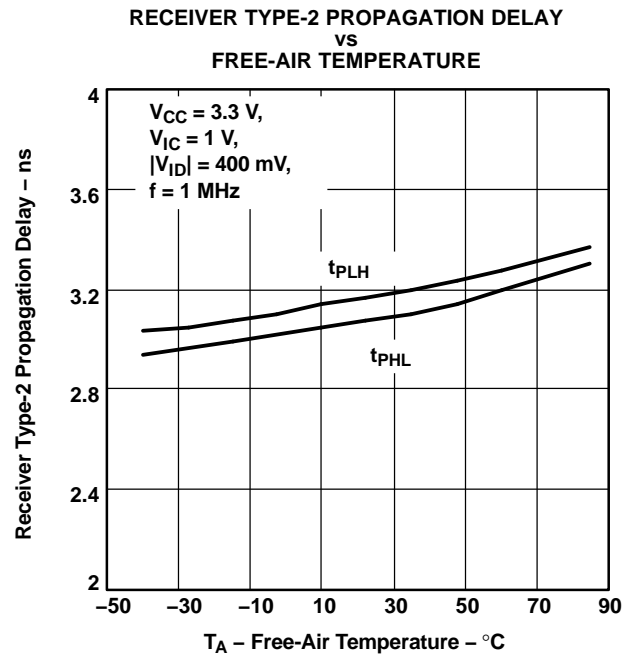
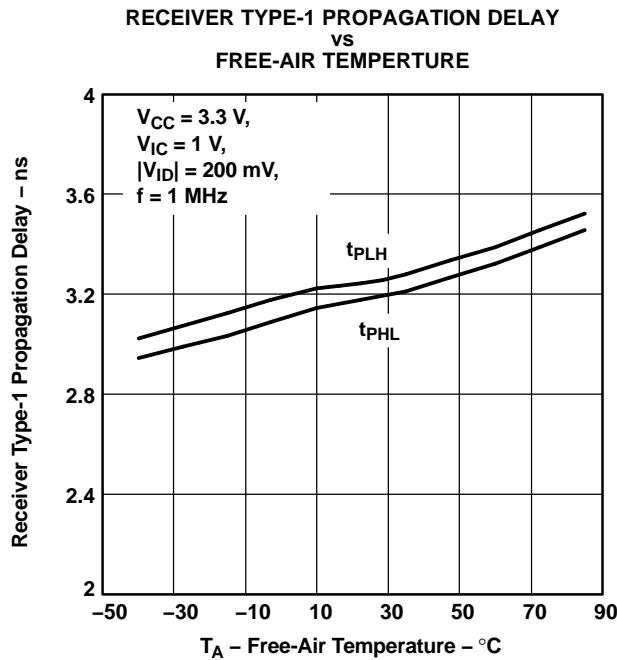
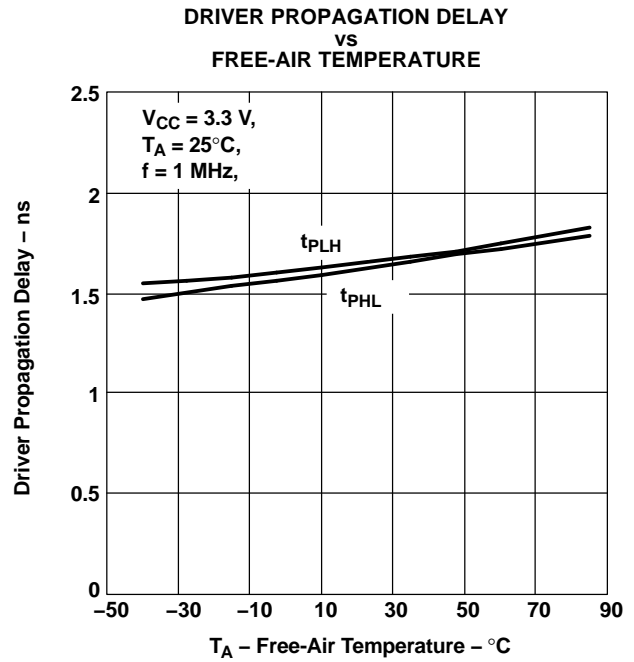
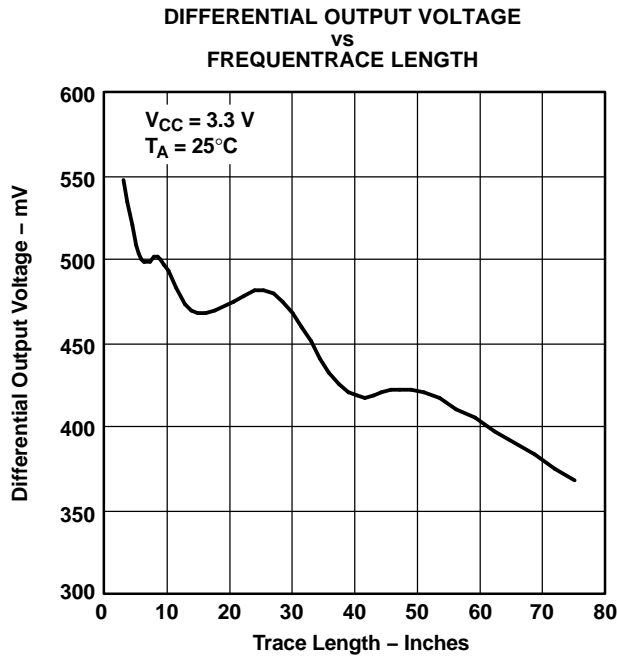
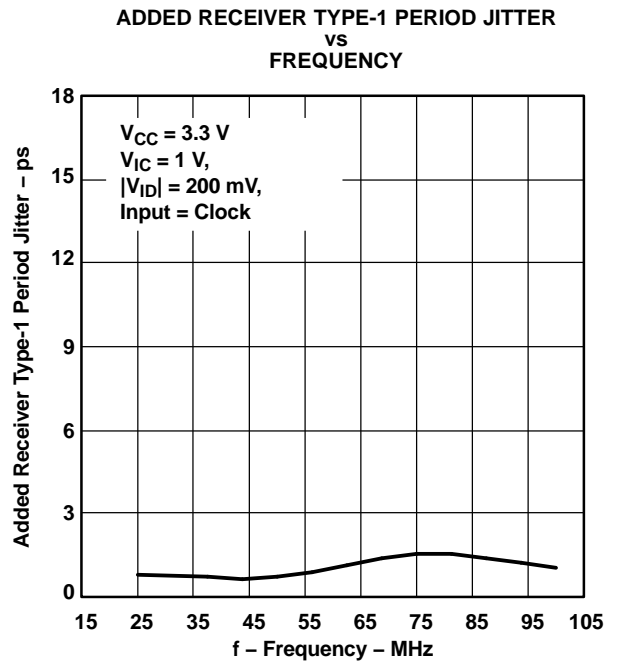
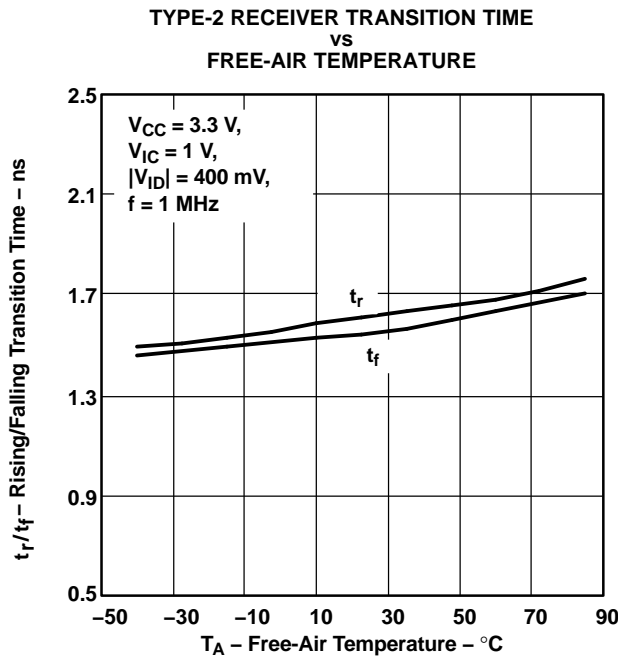
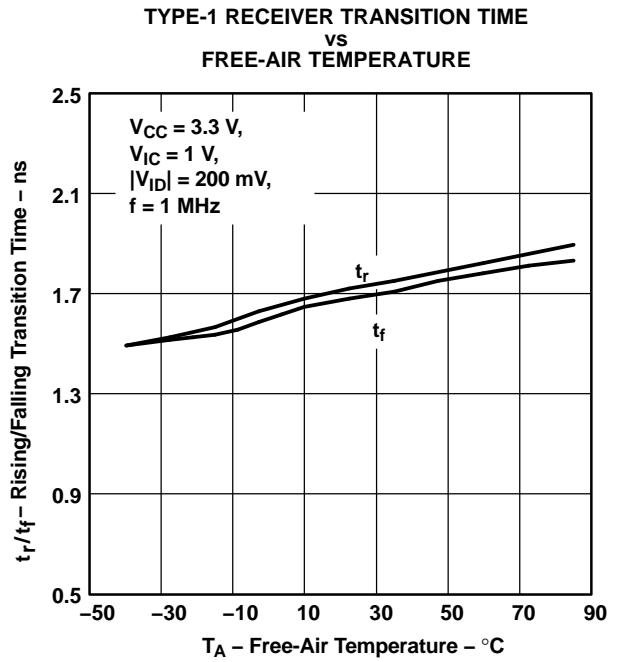
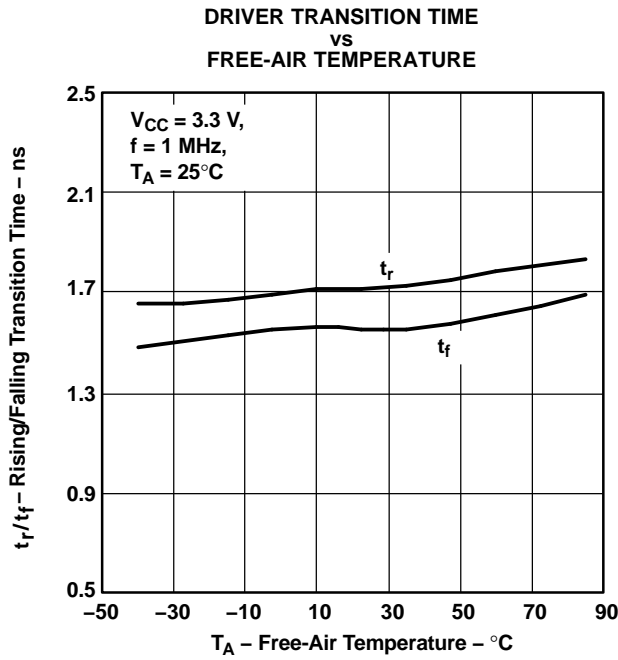


Figure 16.

TYPICAL CHARACTERISTICS (continued)



TYPICAL CHARACTERISTICS (continued)



TYPICAL CHARACTERISTICS (continued)

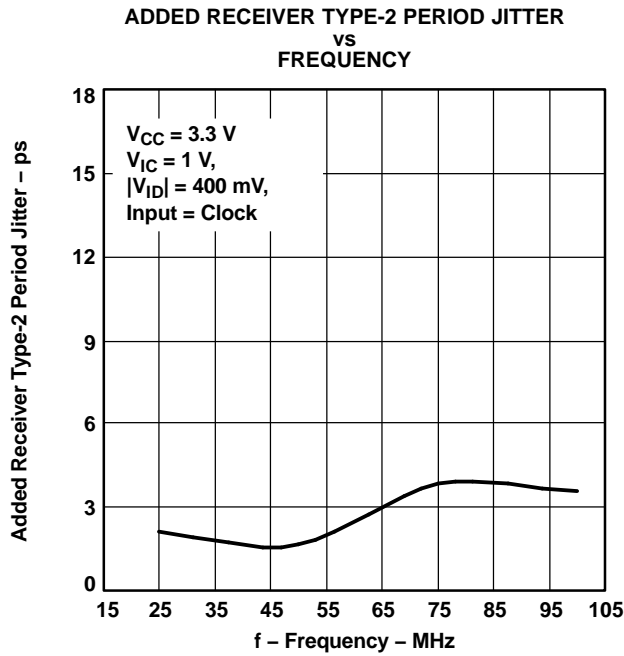


Figure 25.

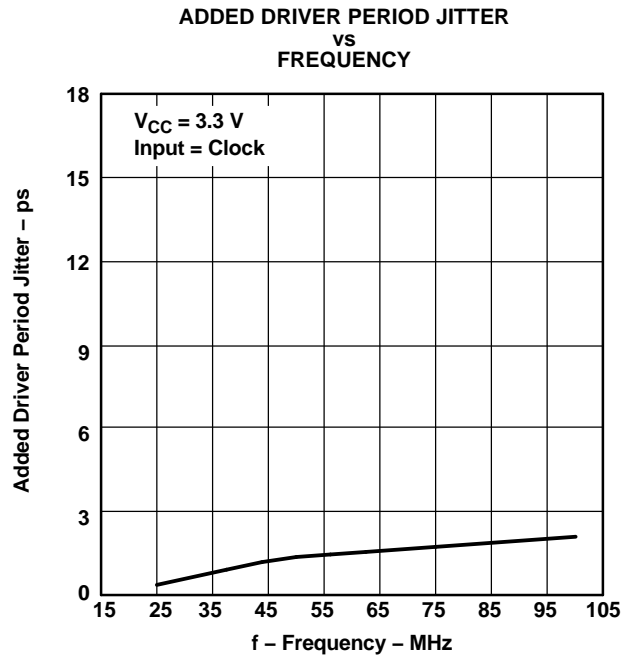


Figure 26.

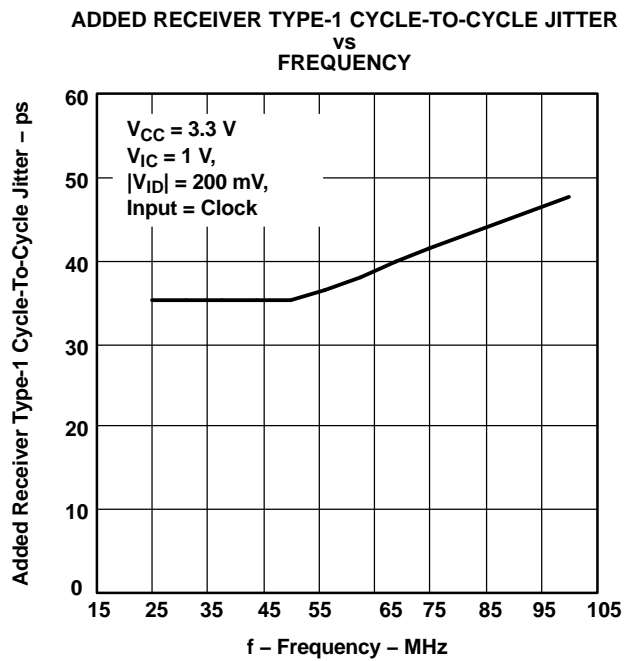


Figure 27.

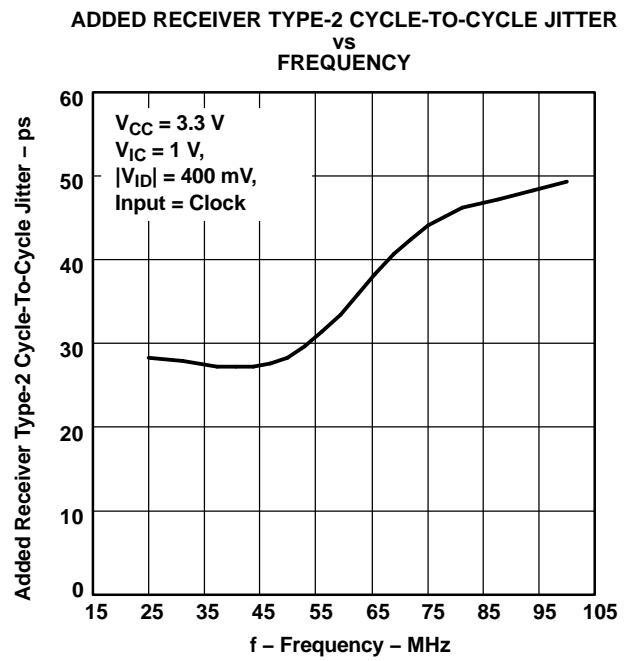


Figure 28.

**TYPICAL CHARACTERISTICS (continued)**

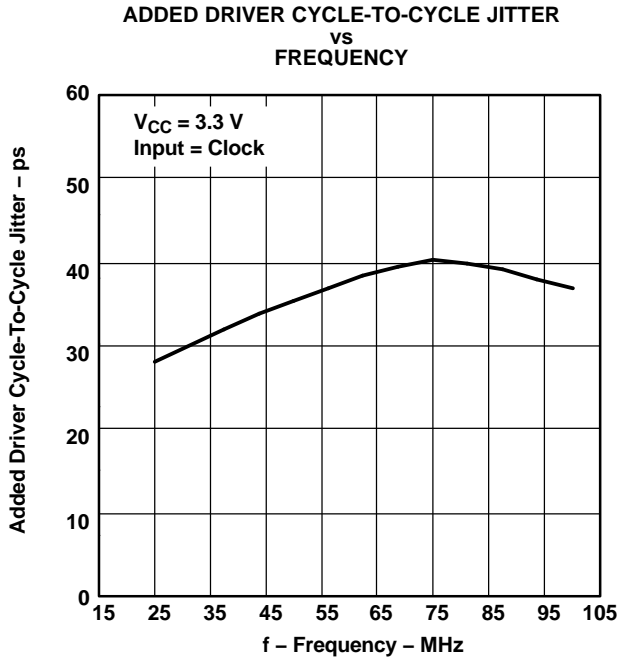


Figure 29.

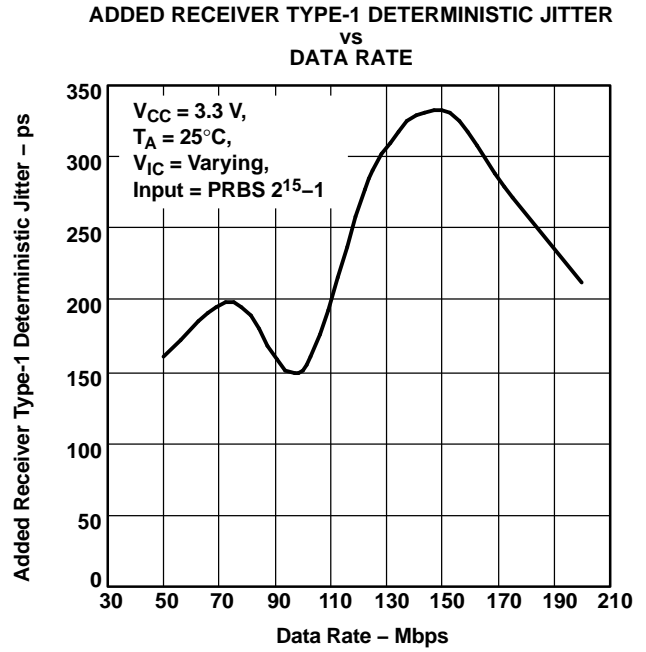


Figure 30.

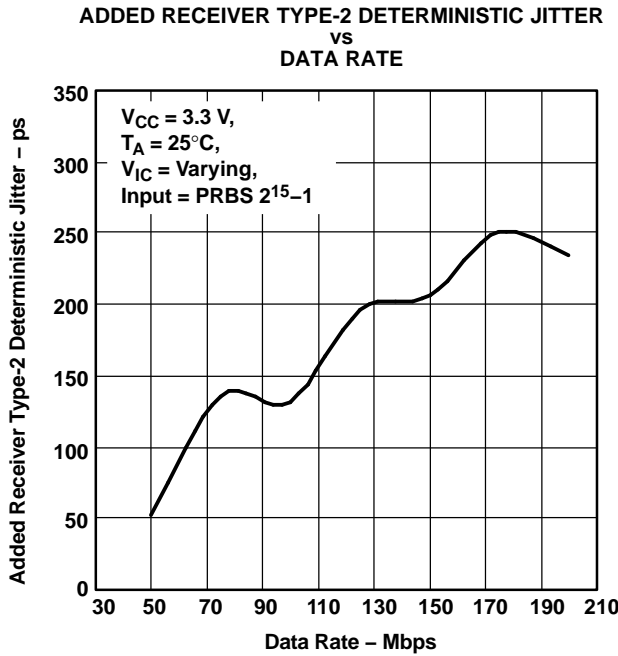


Figure 31.

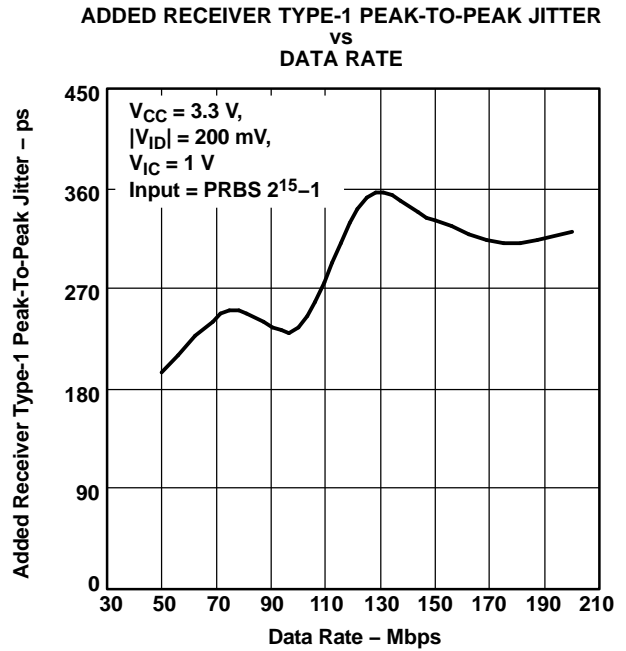


Figure 32.

TYPICAL CHARACTERISTICS (continued)

ADDED RECEIVER TYPE-2 PEAK-TO-PEAK JITTER  
VS  
DATA RATE

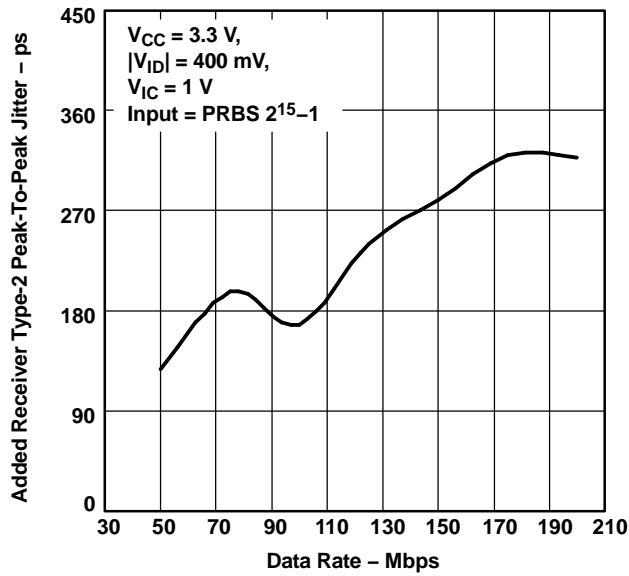


Figure 33.

ADDED DRIVER PEAK-TO-PEAK JITTER  
VS  
DATA RATE

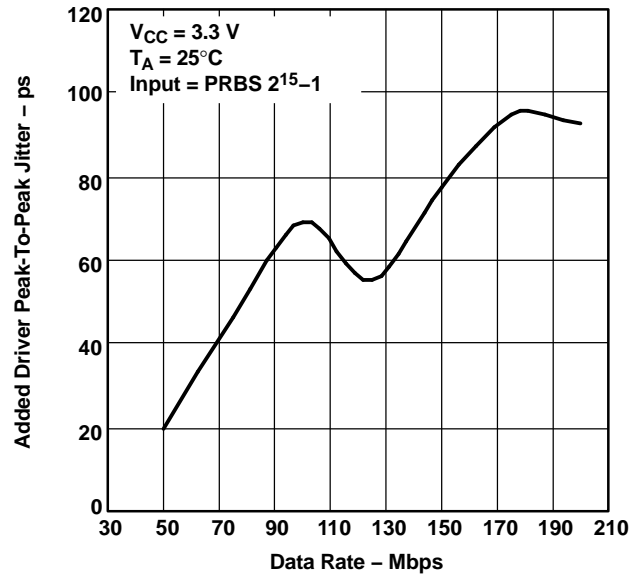
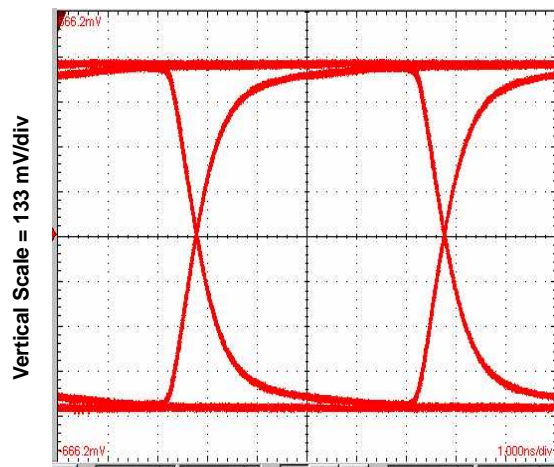


Figure 34.

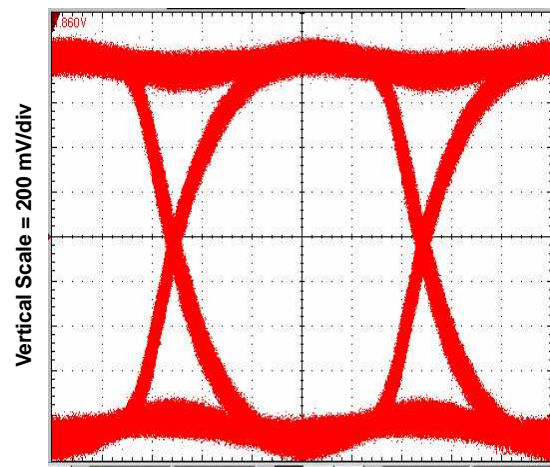
DRIVER OUTPUT EYE PATTERN  
200 Mbps, 2<sup>15</sup>-1 PRBS, V<sub>CC</sub> = 3.3 V



Horizontal Scale = 1 ns/div

Figure 35.

RECEIVER OUTPUT EYE PATTERN  
200 Mbps, 2<sup>15</sup>-1 PRBS, V<sub>CC</sub> = 3.3 V  
|V<sub>ID</sub>| = 200 mV, V<sub>IC</sub> = 1 V



Horizontal Scale = 1 ns/div

Figure 36.



### APPLICATION INFORMATION (continued)

$t_{sk(o)Source} = 2.0$  ns – Output skew of data processing unit; any skew between data bits, or clock and data bits

$t_{sk(p-p)DRVR} = 0.6$  ns – Driver part-to-part skew of the SN65MLVD082

$t_{sk(flight)BP} = 0.4$  ns – Skew of propagation delay on the backplane between data and clock

$t_{sk(p-p)RCVR} = 1.0$  ns – Receiver part-to-part skew of the SN65MLVD082

The 238-MHz maximum operating speed calculated above was determined based on data and clock skews only. Another important consideration when calculating the maximum operating speed is output transition time. Transition-time-limited operating speed can be calculated from the following formula:

$$f = 45\% \times \frac{1}{2 \times t_{transition}} \quad (1)$$

Using the typical transition time of the SN65MLVD082 of 1.4 ns, a transition-time-limited operating frequency of 170 MHz can be supported.

In addition to the high operating frequencies of SSSC that can be ensured, the SN65MLVD082 presents other benefits as other M-LVDS bus transceivers can provide:

- Robust system operation due to common mode noise cancellation using a low voltage differential receiver
- Low EMI radiation noise due to differential signaling improves signal integrity through the backplane
- A singly terminated transmission line is easy to design and implement
- Low power consumption in both active and idle modes minimizes thermal concerns on each module

In dense backplane design, these benefits are important for improving the performance of the whole system.

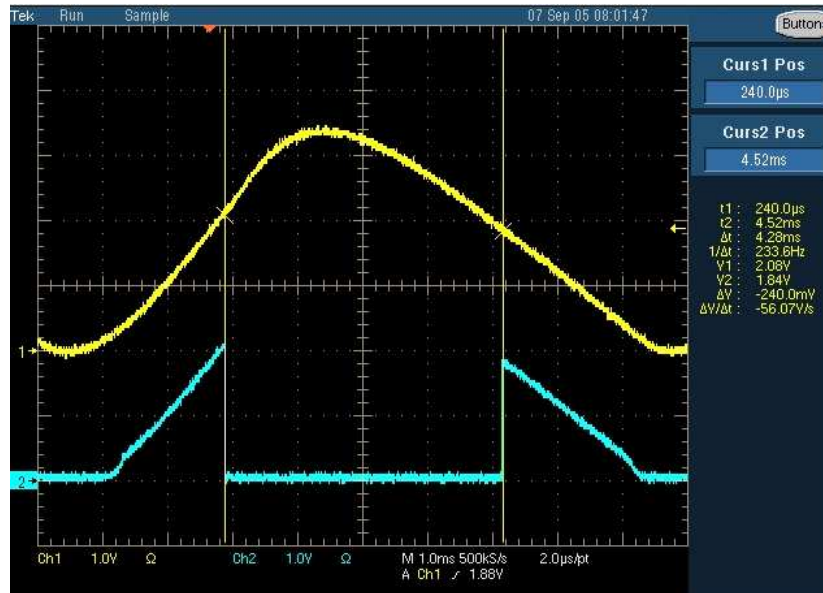
A similar result can be achieved with the SN65MLVD080.

## APPLICATION INFORMATION (continued)

### LIVE INSERTION/GLITCH-FREE POWER UP/DOWN

The SN65MLVD080/082 family of products offered by Texas Instruments provides a glitch-free powerup/down feature that prevents the M-LVDS outputs of the device from turning on during a powerup or powerdown event. This is especially important in live insertion applications, when a device is physically connected to an M-LVDS multipoint bus and VCC is ramping.

While the M-LVDS interface for these devices is glitch free on powerup/down, the receiver output structure is not. [Figure 38](#) shows the performance of the receiver output pin, R (CHANNEL 2), as Vcc (CHANNEL 1) is ramped.



**Figure 38. M-LVDS Receiver Output: VCC (CHANNEL 1), R Pin (CHANNEL 2)**

The glitch on the R pin is independent of the  $\overline{RE}$  voltage. Any complications or issues from this glitch are easily resolved in power sequencing or system requirements that suspend operation until VCC has reached a steady state value.

**PACKAGING INFORMATION**

Orderable part number	Status (1)	Material type (2)	Package   Pins	Package qty   Carrier	RoHS (3)	Lead finish/ Ball material (4)	MSL rating/ Peak reflow (5)	Op temp (°C)	Part marking (6)
<a href="#">SN65MLVD080DGG</a>	Active	Production	TSSOP (DGG)   64	25   TUBE	Yes	NIPDAU	Level-2-260C-1 YEAR	-40 to 85	MLVD080
SN65MLVD080DGG.B	Active	Production	TSSOP (DGG)   64	25   TUBE	Yes	NIPDAU	Level-2-260C-1 YEAR	-40 to 85	MLVD080
SN65MLVD080DGGG4	Active	Production	TSSOP (DGG)   64	25   TUBE	Yes	NIPDAU	Level-2-260C-1 YEAR	-40 to 85	MLVD080
<a href="#">SN65MLVD080DGGR</a>	Active	Production	TSSOP (DGG)   64	2000   LARGE T&R	Yes	NIPDAU	Level-2-260C-1 YEAR	-40 to 85	MLVD080
SN65MLVD080DGGR.B	Active	Production	TSSOP (DGG)   64	2000   LARGE T&R	Yes	NIPDAU	Level-2-260C-1 YEAR	-40 to 85	MLVD080
SN65MLVD080DGGRG4	Active	Production	TSSOP (DGG)   64	2000   LARGE T&R	Yes	NIPDAU	Level-2-260C-1 YEAR	-40 to 85	MLVD080
<a href="#">SN65MLVD082DGG</a>	Active	Production	TSSOP (DGG)   64	25   TUBE	Yes	NIPDAU	Level-2-260C-1 YEAR	-40 to 85	MLVD082
SN65MLVD082DGG.B	Active	Production	TSSOP (DGG)   64	25   TUBE	Yes	NIPDAU	Level-2-260C-1 YEAR	-40 to 85	MLVD082
SN65MLVD082DGGG4	Active	Production	TSSOP (DGG)   64	25   TUBE	Yes	NIPDAU	Level-2-260C-1 YEAR	-40 to 85	MLVD082
<a href="#">SN65MLVD082DGGR</a>	Active	Production	TSSOP (DGG)   64	2000   LARGE T&R	Yes	NIPDAU	Level-2-260C-1 YEAR	-40 to 85	MLVD082
SN65MLVD082DGGR.B	Active	Production	TSSOP (DGG)   64	2000   LARGE T&R	Yes	NIPDAU	Level-2-260C-1 YEAR	-40 to 85	MLVD082
SN65MLVD082DGGRG4	Active	Production	TSSOP (DGG)   64	2000   LARGE T&R	Yes	NIPDAU	Level-2-260C-1 YEAR	-40 to 85	MLVD082
SN65MLVD082DGGRG4.B	Active	Production	TSSOP (DGG)   64	2000   LARGE T&R	Yes	NIPDAU	Level-2-260C-1 YEAR	-40 to 85	MLVD082

(1) **Status:** For more details on status, see our [product life cycle](#).

(2) **Material type:** When designated, preproduction parts are prototypes/experimental devices, and are not yet approved or released for full production. Testing and final process, including without limitation quality assurance, reliability performance testing, and/or process qualification, may not yet be complete, and this item is subject to further changes or possible discontinuation. If available for ordering, purchases will be subject to an additional waiver at checkout, and are intended for early internal evaluation purposes only. These items are sold without warranties of any kind.

(3) **RoHS values:** Yes, No, RoHS Exempt. See the [TI RoHS Statement](#) for additional information and value definition.

(4) **Lead finish/Ball material:** Parts may have multiple material finish options. Finish options are separated by a vertical ruled line. Lead finish/Ball material values may wrap to two lines if the finish value exceeds the maximum column width.

(5) **MSL rating/Peak reflow:** The moisture sensitivity level ratings and peak solder (reflow) temperatures. In the event that a part has multiple moisture sensitivity ratings, only the lowest level per JEDEC standards is shown. Refer to the shipping label for the actual reflow temperature that will be used to mount the part to the printed circuit board.

(6) **Part marking:** There may be an additional marking, which relates to the logo, the lot trace code information, or the environmental category of the part.

Multiple part markings will be inside parentheses. Only one part marking contained in parentheses and separated by a "~" will appear on a part. If a line is indented then it is a continuation of the previous line and the two combined represent the entire part marking for that device.

**Important Information and Disclaimer:** The information provided on this page represents TI's knowledge and belief as of the date that it is provided. TI bases its knowledge and belief on information provided by third parties, and makes no representation or warranty as to the accuracy of such information. Efforts are underway to better integrate information from third parties. TI has taken and continues to take reasonable steps to provide representative and accurate information but may not have conducted destructive testing or chemical analysis on incoming materials and chemicals. TI and TI suppliers consider certain information to be proprietary, and thus CAS numbers and other limited information may not be available for release.

In no event shall TI's liability arising out of such information exceed the total purchase price of the TI part(s) at issue in this document sold by TI to Customer on an annual basis.

**TAPE AND REEL INFORMATION**

**QUADRANT ASSIGNMENTS FOR PIN 1 ORIENTATION IN TAPE**

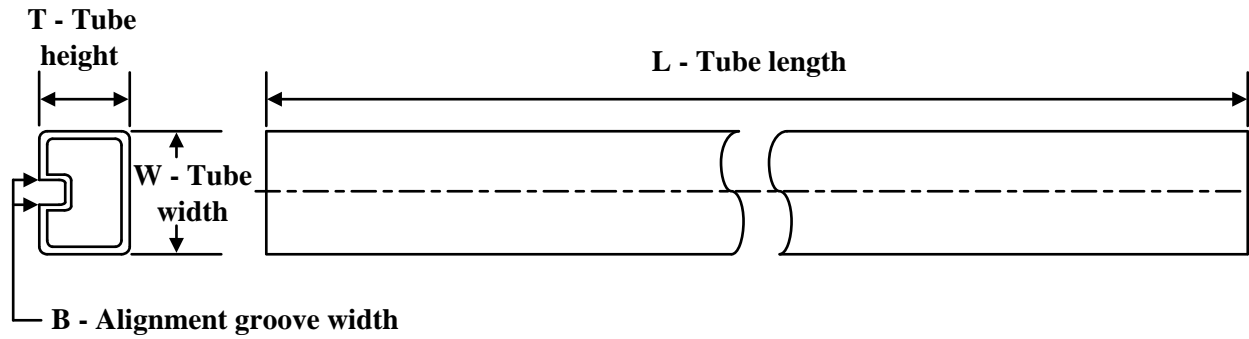

\*All dimensions are nominal

Device	Package Type	Package Drawing	Pins	SPQ	Reel Diameter (mm)	Reel Width W1 (mm)	A0 (mm)	B0 (mm)	K0 (mm)	P1 (mm)	W (mm)	Pin1 Quadrant
SN65MLVD080DGGR	TSSOP	DGG	64	2000	330.0	24.4	8.4	17.3	1.7	12.0	24.0	Q1
SN65MLVD082DGGR	TSSOP	DGG	64	2000	330.0	24.4	8.4	17.3	1.7	12.0	24.0	Q1
SN65MLVD082DGGRG4	TSSOP	DGG	64	2000	330.0	24.4	8.4	17.3	1.7	12.0	24.0	Q1

**TAPE AND REEL BOX DIMENSIONS**


\*All dimensions are nominal

Device	Package Type	Package Drawing	Pins	SPQ	Length (mm)	Width (mm)	Height (mm)
SN65MLVD080DGGR	TSSOP	DGG	64	2000	350.0	350.0	43.0
SN65MLVD082DGGR	TSSOP	DGG	64	2000	350.0	350.0	43.0
SN65MLVD082DGGRG4	TSSOP	DGG	64	2000	350.0	350.0	43.0

**TUBE**


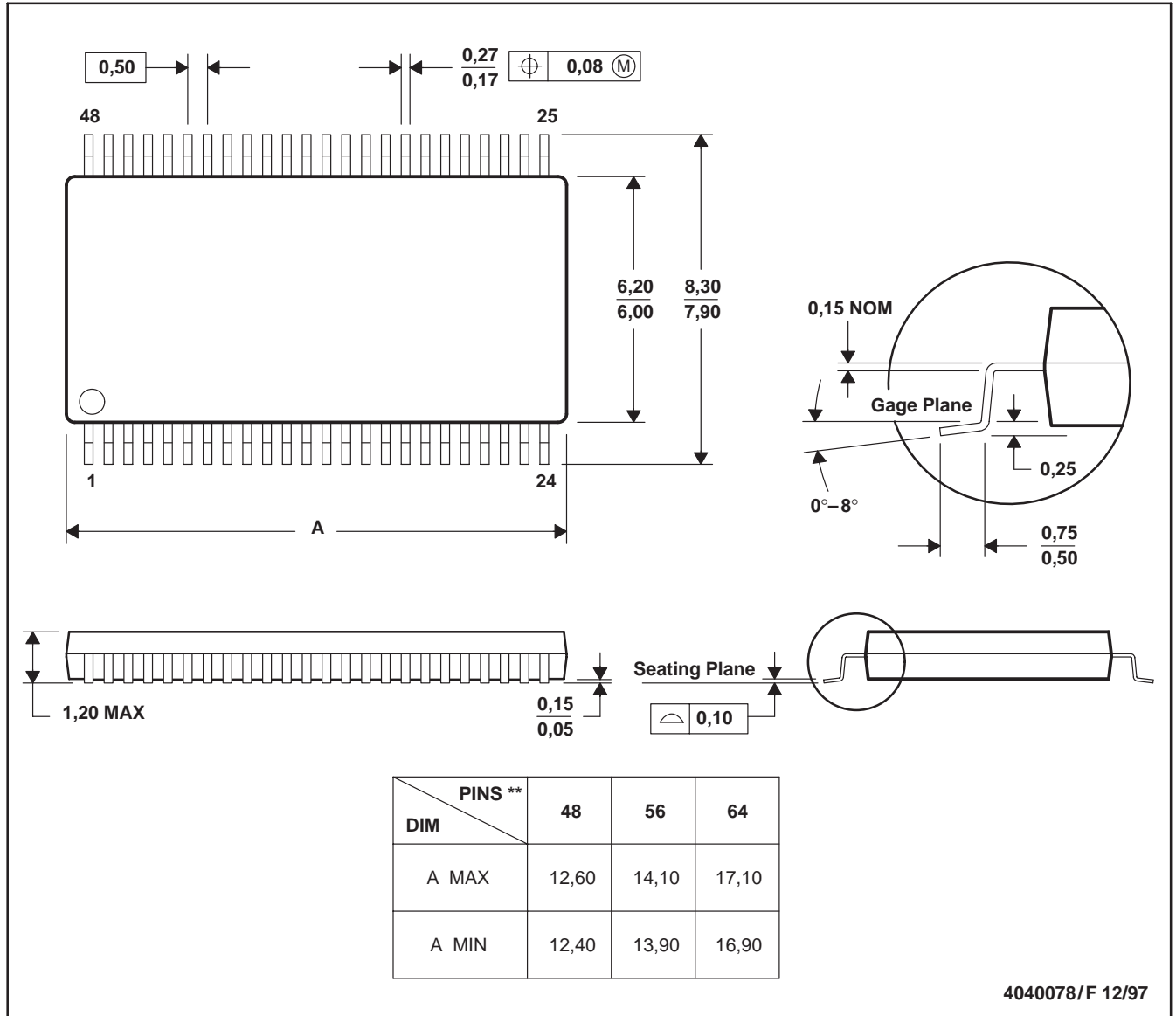
\*All dimensions are nominal

Device	Package Name	Package Type	Pins	SPQ	L (mm)	W (mm)	T (μm)	B (mm)
SN65MLVD080DGG	DGG	TSSOP	64	25	530	11.89	3600	4.9
SN65MLVD080DGG	DGG	TSSOP	64	25	530	11.89	3600	4.9
SN65MLVD080DGG.B	DGG	TSSOP	64	25	530	11.89	3600	4.9
SN65MLVD080DGG.B	DGG	TSSOP	64	25	530	11.89	3600	4.9
SN65MLVD080DGGG4	DGG	TSSOP	64	25	530	11.89	3600	4.9
SN65MLVD080DGGG4	DGG	TSSOP	64	25	530	11.89	3600	4.9
SN65MLVD080DGGGR	DGG	TSSOP	64	2000	530	11.89	3600	4.9
SN65MLVD080DGGGR.B	DGG	TSSOP	64	2000	530	11.89	3600	4.9
SN65MLVD080DGGRG4	DGG	TSSOP	64	2000	530	11.89	3600	4.9
SN65MLVD082DGG	DGG	TSSOP	64	25	530	11.89	3600	4.9
SN65MLVD082DGG	DGG	TSSOP	64	25	530	11.89	3600	4.9
SN65MLVD082DGG.B	DGG	TSSOP	64	25	530	11.89	3600	4.9
SN65MLVD082DGG.B	DGG	TSSOP	64	25	530	11.89	3600	4.9
SN65MLVD082DGGG4	DGG	TSSOP	64	25	530	11.89	3600	4.9
SN65MLVD082DGGG4	DGG	TSSOP	64	25	530	11.89	3600	4.9
SN65MLVD082DGGGR	DGG	TSSOP	64	2000	530	11.89	3600	4.9
SN65MLVD082DGGGR.B	DGG	TSSOP	64	2000	530	11.89	3600	4.9

DGG (R-PDSO-G\*\*)

PLASTIC SMALL-OUTLINE PACKAGE

48 PINS SHOWN



- NOTES: A. All linear dimensions are in millimeters.  
 B. This drawing is subject to change without notice.  
 C. Body dimensions do not include mold protrusion not to exceed 0,15.  
 D. Falls within JEDEC MO-153

## IMPORTANT NOTICE AND DISCLAIMER

TI PROVIDES TECHNICAL AND RELIABILITY DATA (INCLUDING DATASHEETS), DESIGN RESOURCES (INCLUDING REFERENCE DESIGNS), APPLICATION OR OTHER DESIGN ADVICE, WEB TOOLS, SAFETY INFORMATION, AND OTHER RESOURCES "AS IS" AND WITH ALL FAULTS, AND DISCLAIMS ALL WARRANTIES, EXPRESS AND IMPLIED, INCLUDING WITHOUT LIMITATION ANY IMPLIED WARRANTIES OF MERCHANTABILITY, FITNESS FOR A PARTICULAR PURPOSE OR NON-INFRINGEMENT OF THIRD PARTY INTELLECTUAL PROPERTY RIGHTS.

These resources are intended for skilled developers designing with TI products. You are solely responsible for (1) selecting the appropriate TI products for your application, (2) designing, validating and testing your application, and (3) ensuring your application meets applicable standards, and any other safety, security, regulatory or other requirements.

These resources are subject to change without notice. TI grants you permission to use these resources only for development of an application that uses the TI products described in the resource. Other reproduction and display of these resources is prohibited. No license is granted to any other TI intellectual property right or to any third party intellectual property right. TI disclaims responsibility for, and you fully indemnify TI and its representatives against any claims, damages, costs, losses, and liabilities arising out of your use of these resources.

TI's products are provided subject to [TI's Terms of Sale](#), [TI's General Quality Guidelines](#), or other applicable terms available either on [ti.com](http://ti.com) or provided in conjunction with such TI products. TI's provision of these resources does not expand or otherwise alter TI's applicable warranties or warranty disclaimers for TI products. Unless TI explicitly designates a product as custom or customer-specified, TI products are standard, catalog, general purpose devices.

TI objects to and rejects any additional or different terms you may propose.

Copyright © 2026, Texas Instruments Incorporated

Last updated 10/2025