

TLV61220 Low-Input Voltage Step-Up Converter in Thin SOT-23 Package

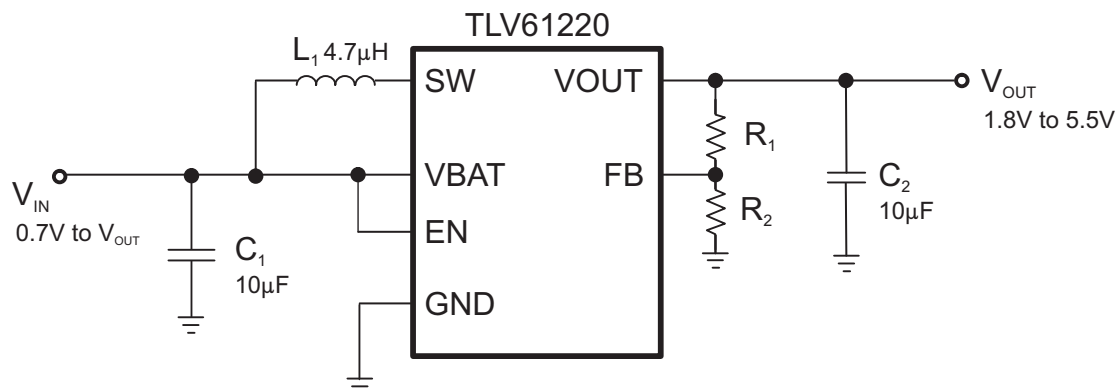
1 Features

- Up to 95% Efficiency at Typical Operating Conditions
- 5.5- μ A Quiescent Current
- Startup Into Load at 0.7-V Input Voltage
- Operating Input Voltage from 0.7 V to 5.5 V
- Pass-Through Function during Shutdown
- Minimum Switching Current 200 mA
- Protections:
 - Output Overvoltage
 - Overtemperature
 - Input Undervoltage Lockout
- Adjustable Output Voltage from 1.8 V to 5.5 V
- Small 6-pin Thin SOT-23 Package

2 Applications

- Battery Powered Applications
 - 1 to 3 Cell Alkaline, NiCd or NiMH
 - 1 Cell Li-Ion or Li-Primary
- Solar or Fuel Cell Powered Applications
- Consumer and Portable Medical Products
- Personal Care Products
- White or Status LEDs
- Smartphones

4 Typical Application Schematic



3 Description

The TLV61220 device provides a power-supply solution for products powered by either a single-cell, two-cell, or three-cell alkaline, NiCd or NiMH, or one-cell Li-Ion or Li-polymer battery. Possible output currents depend on the input-to-output voltage ratio. The boost converter is based on a hysteretic controller topology using synchronous rectification to obtain maximum efficiency at minimal quiescent currents. The output voltage of the adjustable version can be programmed by an external resistor divider, or is set internally to a fixed output voltage. The converter can be switched off by a featured enable pin. While being switched off, battery drain is minimized. The device is packaged in a 6-pin thin SOT-23 package (DBV).

Device Information⁽¹⁾

| PART NUMBER | PACKAGE | BODY SIZE (NOM) |
|-------------|---------|-------------------|
| TLV61220 | SOT (6) | 2.90 mm x 1.60 mm |

(1) For all available packages, see the orderable addendum at the end of the datasheet.



Table of Contents

| | | | |
|--|-----------|--|-----------|
| 1 Features | 1 | 10.3 Feature Description..... | 10 |
| 2 Applications | 1 | 10.4 Device Functional Modes..... | 11 |
| 3 Description | 1 | 11 Application and Implementation | 12 |
| 4 Typical Application Schematic | 1 | 11.1 Application Information..... | 12 |
| 5 Revision History | 2 | 11.2 Typical Application | 12 |
| 6 Device Options | 3 | 12 Power Supply Recommendations | 16 |
| 7 Pin Configuration and Functions | 3 | 13 Layout | 16 |
| 8 Specifications | 4 | 13.1 Layout Guidelines | 16 |
| 8.1 Absolute Maximum Ratings | 4 | 13.2 Layout Example | 16 |
| 8.2 ESD Ratings..... | 4 | 13.3 Thermal Considerations..... | 16 |
| 8.3 Recommended Operating Conditions..... | 4 | 14 Device and Documentation Support | 17 |
| 8.4 Thermal Information | 4 | 14.1 Device Support..... | 17 |
| 8.5 Electrical Characteristics..... | 5 | 14.2 Documentation Support | 17 |
| 8.6 Typical Characteristics..... | 6 | 14.3 Trademarks | 17 |
| 9 Parameter Measurement Information | 9 | 14.4 Electrostatic Discharge Caution..... | 17 |
| 10 Detailed Description | 10 | 14.5 Glossary | 17 |
| 10.1 Overview | 10 | 15 Mechanical, Packaging, and Orderable | 17 |
| 10.2 Functional Block Diagram | 10 | Information | 17 |

5 Revision History

Changes from Original (May 2012) to Revision A

Page

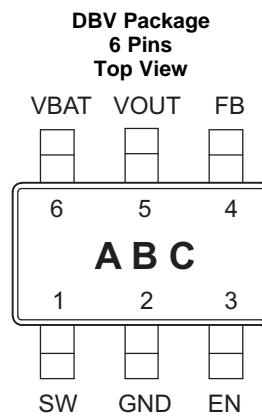
- Added *ESD Ratings* table, *Feature Description* section, *Device Functional Modes*, *Application and Implementation* section, *Power Supply Recommendations* section, *Layout* section, *Device and Documentation Support* section, and *Mechanical, Packaging, and Orderable Information* section

1

6 Device Options

| T _A | OUTPUT VOLTAGE DC/DC | PACKAGE | PART NUMBER |
|----------------|-------------------------|--------------|-------------|
| –40°C to 85°C | Adjustable | 6-Pin SOT-23 | TLV61220DBV |

7 Pin Configuration and Functions



Pin Functions

| PIN | | I/O | DESCRIPTION |
|------|-----|-----|---|
| NAME | NO. | | |
| EN | 3 | I | Enable input (VBAT enabled, GND disabled) |
| FB | 4 | I | Voltage feedback for programming the output voltage |
| GND | 2 | — | IC ground connection for logic and power |
| SW | 1 | I | Boost and rectifying switch input |
| VBAT | 6 | I | Supply voltage |
| VOUT | 5 | O | Boost converter output |

8 Specifications

8.1 Absolute Maximum Ratings

over operating free-air temperature range (unless otherwise noted) ⁽¹⁾

| | | MIN | MAX | UNIT |
|------------------|---|------|-----|------|
| V _{IN} | Input voltage on VBAT, SW, VOUT, EN, FB | -0.3 | 7.5 | V |
| T _J | Operating junction temperature | -40 | 150 | °C |
| T _{stg} | Storage temperature | -65 | 150 | °C |

- (1) Stresses beyond those listed under *Absolute Maximum Ratings* may cause permanent damage to the device. These are stress ratings only, which do not imply functional operation of the device at these or any other conditions beyond those indicated under *Recommended Operating Conditions*. Exposure to absolute-maximum-rated conditions for extended periods may affect device reliability.

8.2 ESD Ratings

| | | VALUE | UNIT |
|--------------------|-------------------------|--|-------|
| V _(ESD) | Electrostatic discharge | Human-body model (HBM), per ANSI/ESDA/JEDEC JS-001 ⁽¹⁾ | ±2000 |
| | | Charged-device model (CDM), per JEDEC specification JESD22-C101 ⁽²⁾ | ±1500 |

- (1) JEDEC document JEP155 states that 500-V HBM allows safe manufacturing with a standard ESD control process.
 (2) JEDEC document JEP157 states that 250-V CDM allows safe manufacturing with a standard ESD control process.

8.3 Recommended Operating Conditions

| | | MIN | NOM | MAX | UNIT |
|-----------------|--|-----|-----|-----|------|
| V _{IN} | Supply voltage at VIN | 0.7 | | 5.5 | V |
| T _A | Operating free air temperature range | -40 | | 85 | °C |
| T _J | Operating virtual junction temperature range | -40 | | 125 | °C |

8.4 Thermal Information

| THERMAL METRIC ⁽¹⁾ | TLV61220 | UNIT | |
|-------------------------------|--|-------|------|
| | DBV | | |
| | 6 PINS | | |
| R _{θJA} | Junction-to-ambient thermal resistance | 185.7 | °C/W |
| R _{θJC(top)} | Junction-to-case (top) thermal resistance | 124.3 | |
| R _{θJB} | Junction-to-board thermal resistance | 31.3 | |
| ψ _{JT} | Junction-to-top characterization parameter | 22.9 | |
| ψ _{JB} | Junction-to-board characterization parameter | 30.8 | |
| R _{θJC(bot)} | Junction-to-case (bottom) thermal resistance | N/A | |

- (1) For more information about traditional and new thermal metrics, see the *IC Package Thermal Metrics* application report, [SPRA953](#).

8.5 Electrical Characteristics

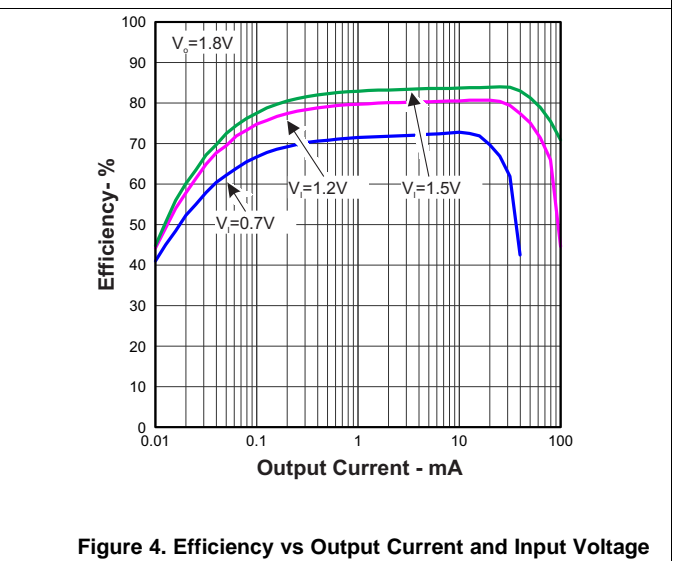
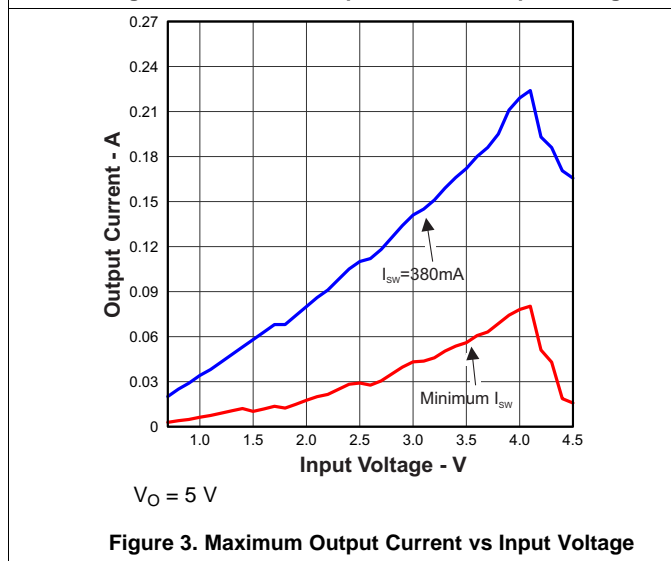
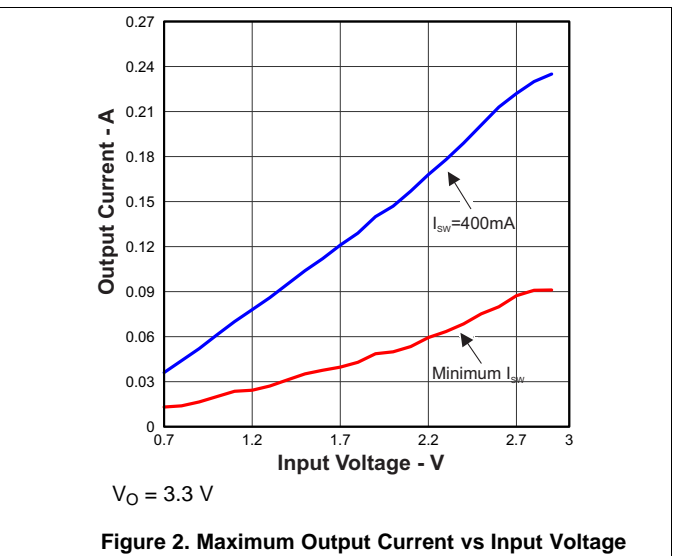
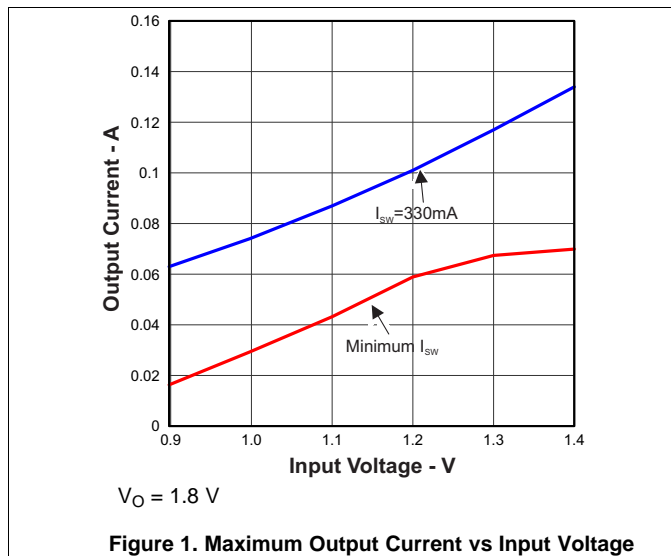
over recommended free-air temperature range and over recommended input voltage range (typical at an ambient temperature range of 25°C) (unless otherwise noted)

| PARAMETER | | TEST CONDITIONS | MIN | TYP | MAX | UNIT |
|----------------------|---|--|---|-------|---------------------|------------------|
| DC/DC STAGE | | | | | | |
| V_{IN} | Input voltage range | | 0.7 | | 5.5 | V |
| V_{IN} | Minimum input voltage at startup | $R_{Load} \geq 150 \Omega$ | | | 0.7 | V |
| V_{OUT} | TLV61220 output voltage range | $V_{IN} < V_{OUT}$ | 1.8 | | 5.5 | V |
| V_{FB} | TLV61220 feedback voltage | | 483 | 500 | 513 | mV |
| I_{LH} | Inductor current ripple | | | 200 | | mA |
| I_{SW} | switch current limit | $V_{OUT} = 3.3 \text{ V}, V_{IN} = 1.2 \text{ V}, T_A = 25 \text{ }^\circ\text{C}$ | 220 | 400 | | mA |
| | | $V_{OUT} = 3.3 \text{ V}, T_A = -40^\circ\text{C to } 85 \text{ }^\circ\text{C}$ | 180 | 400 | | mA |
| | | $V_{OUT} = 3.3 \text{ V}, T_A = 0^\circ\text{C to } 85 \text{ }^\circ\text{C}$ | 200 | 400 | | mA |
| $R_{DS(on)}$ | Rectifying switch on resistance, HSD | $V_{OUT} = 3.3 \text{ V}$ | | 1000 | | m Ω |
| | | $V_{OUT} = 5 \text{ V}$ | | 700 | | m Ω |
| | Main switch on resistance, LSD | $V_{OUT} = 3.3 \text{ V}$ | | 600 | | m Ω |
| | | $V_{OUT} = 5 \text{ V}$ | | 550 | | m Ω |
| | Line regulation | $V_{IN} < V_{OUT}$ | | 0.5% | | |
| | Load regulation | $V_{IN} < V_{OUT}$ | | 0.5% | | |
| I_Q | Quiescent current | V_{IN} | $I_O = 0 \text{ mA}, V_{EN} = V_{IN} = 1.2 \text{ V}, V_{OUT} = 3.3 \text{ V}$ | 0.5 | 0.9 | μA |
| | | V_{OUT} | | 5 | 7.5 | μA |
| I_{SD} | Shutdown current | V_{IN} | $V_{EN} = 0 \text{ V}, V_{IN} = 1.2 \text{ V}, V_{OUT} \geq V_{IN}$ | 0.2 | 0.5 | μA |
| I_{LKG} | Leakage current into VOUT | | $V_{EN} = 0 \text{ V}, V_{IN} = 1.2 \text{ V}, V_{OUT} = 3.3 \text{ V}$ | 1 | | μA |
| | Leakage current into SW | | $V_{EN} = 0 \text{ V}, V_{IN} = 1.2 \text{ V}, V_{SW} = 1.2 \text{ V}, V_{OUT} \geq V_{IN}$ | 0.01 | 0.2 | μA |
| I_{FB} | TLV61220 Feedback input current | | $V_{FB} = 0.5 \text{ V}$ | 0.01 | | μA |
| I_{EN} | EN input current | | Clamped on GND or V_{IN} ($V_{IN} < 1.5 \text{ V}$) | 0.005 | 0.1 | μA |
| CONTROL STAGE | | | | | | |
| V_{IL} | EN input low voltage | $V_{IN} \leq 1.5 \text{ V}$ | | | $0.2 \times V_{IN}$ | V |
| V_{IH} | EN input high voltage | $V_{IN} \leq 1.5 \text{ V}$ | $0.8 \times V_{IN}$ | | | V |
| V_{IL} | EN input low voltage | $5 \text{ V} > V_{IN} > 1.5 \text{ V}$ | | | 0.4 | V |
| V_{IH} | EN input high voltage | $5 \text{ V} > V_{IN} > 1.5 \text{ V}$ | 1.2 | | | V |
| V_{UVLO} | Undervoltage lockout threshold for turn off | V_{IN} decreasing | | 0.5 | 0.7 | V |
| | Overvoltage protection threshold | | 5.5 | | 7.5 | V |
| | Overtemperature protection | | | 140 | | $^\circ\text{C}$ |
| | Overtemperature hysteresis | | | 20 | | $^\circ\text{C}$ |

8.6 Typical Characteristics

Table 1. Table of Graphs

| | | FIGURE |
|----------------|--|-----------|
| Output Current | Input Voltage, $I_{SW} = 330\text{ mA}$, Minimum $I_{SW} = 200\text{ mA}$, $V_O = 1.8\text{ V}$ | Figure 1 |
| | Input Voltage, $I_{SW} = 400\text{ mA}$, Minimum $I_{SW} = 200\text{ mA}$, $V_O = 3.3\text{ V}$ | Figure 2 |
| | Input Voltage, $I_{SW} = 380\text{ mA}$, Minimum $I_{SW} = 200\text{ mA}$, $V_O = 5\text{ V}$ | Figure 3 |
| Efficiency | vs Output Current, $V_O = 1.8\text{ V}$, $V_I = [0.7\text{ V}; 1.2\text{ V}; 1.5\text{ V}]$ | Figure 4 |
| | vs Output Current, $V_O = 3.3\text{ V}$, $V_I = [0.7\text{ V}; 1.2\text{ V}; 2.4\text{ V}; 3\text{ V}]$ | Figure 5 |
| | vs Output Current, $V_O = 5\text{ V}$, $V_I = [0.7\text{ V}; 1.2\text{ V}; 3.6\text{ V}; 4.2\text{ V}]$ | Figure 6 |
| Efficiency | vs Input Voltage, $V_O = 1.8\text{ V}$, $I_O = [100\mu\text{A}; 1\text{ mA}; 10\text{ mA}; 50\text{ mA}]$ | Figure 7 |
| | vs Input Voltage, $V_O = 3.3\text{ V}$, $I_O = [100\mu\text{A}; 1\text{ mA}; 10\text{ mA}; 50\text{ mA}]$ | Figure 8 |
| | vs Input Voltage, $V_O = 5\text{ V}$, $I_O = [100\mu\text{A}; 1\text{ mA}; 10\text{ mA}; 50\text{ mA}]$ | Figure 9 |
| Output Voltage | vs Output Current, $V_O = 1.8\text{ V}$, $V_I = [0.7\text{ V}; 1.2\text{ V}]$ | Figure 10 |
| | vs Output Current, $V_O = 3.3\text{ V}$, $V_I = [0.7\text{ V}; 1.2\text{ V}; 2.4\text{ V}]$ | Figure 11 |



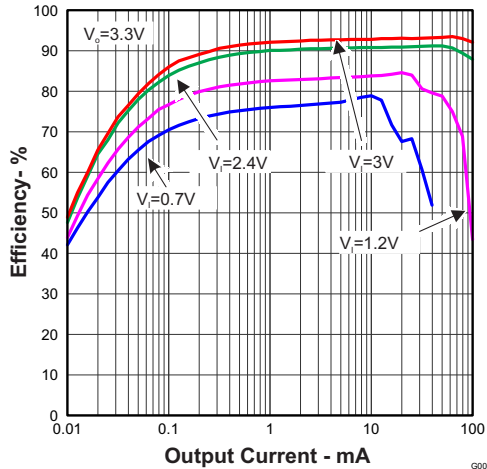


Figure 5. Efficiency vs Output Current and Input Voltage

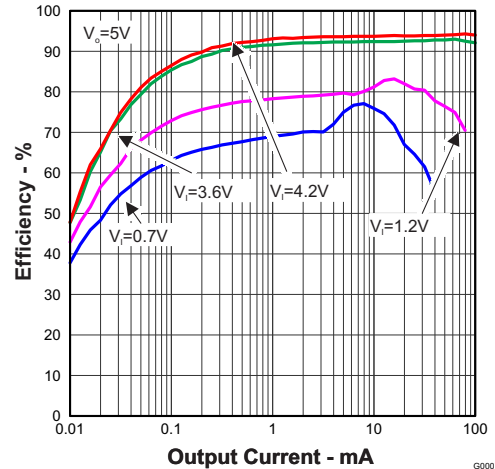


Figure 6. Efficiency vs Input Voltage and Output Current

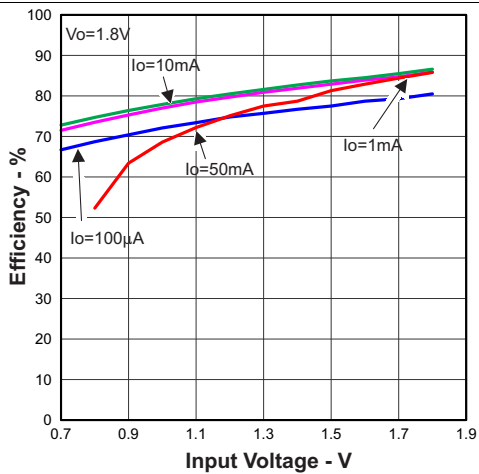


Figure 7. Efficiency vs Input Voltage and Output Current

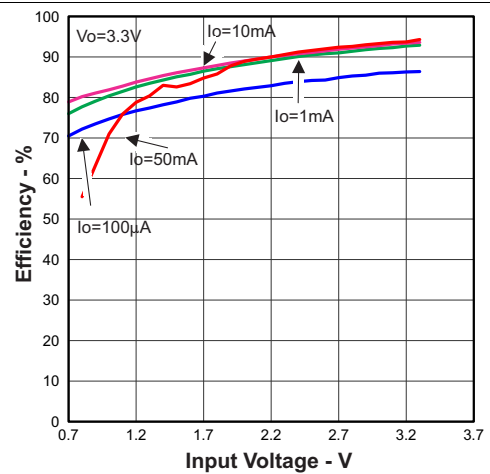


Figure 8. Efficiency vs Input Voltage and Output Current

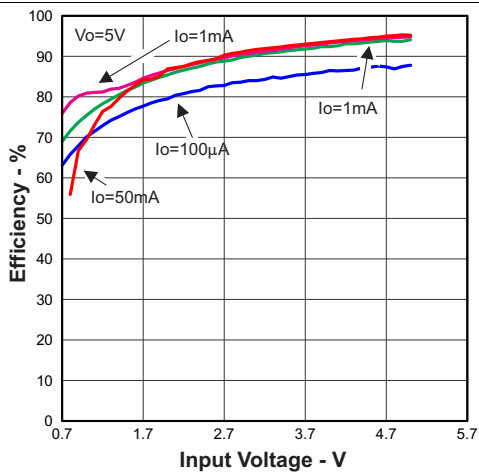


Figure 9. Efficiency vs Input Voltage and Output Current

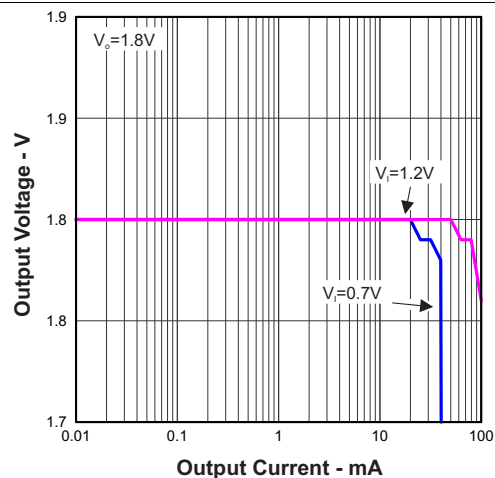


Figure 10. Output Voltage vs Output Current and Input Voltage

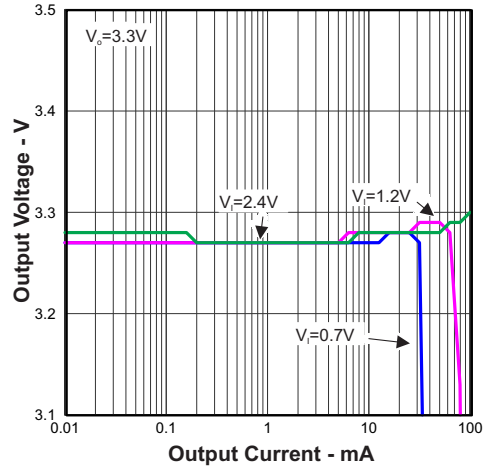


Figure 11. Output Voltage vs Output Current and Input Voltage

9 Parameter Measurement Information

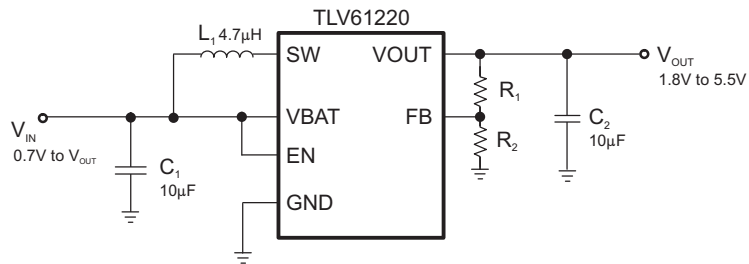


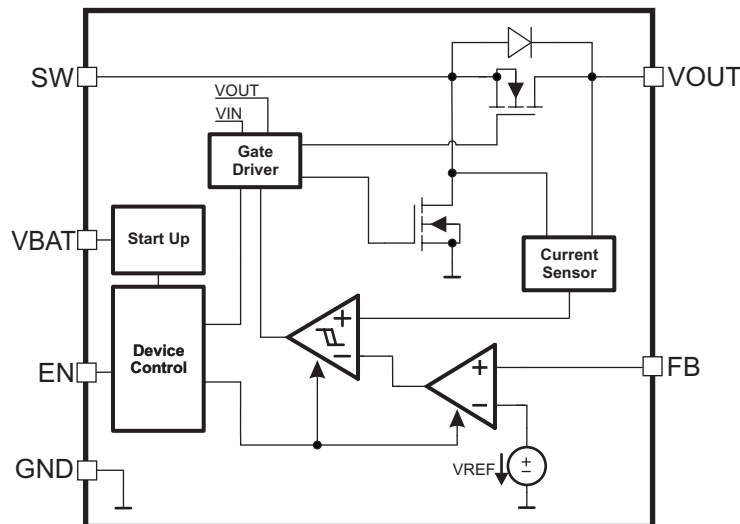
Figure 12. Parameter Measurement Schematic

10 Detailed Description

10.1 Overview

The TLV61220 is a high performance, highly efficient boost converter. To achieve high efficiency the power stage is realized as a synchronous boost topology. For the power switching two actively controlled low $R_{DS(on)}$ power MOSFETs are implemented.

10.2 Functional Block Diagram



10.3 Feature Description

10.3.1 Controller Circuit

The device is controlled by a hysteretic current mode controller. This controller regulates the output voltage by keeping the inductor ripple current constant in the range of 200 mA and adjusting the offset of this inductor current depending on the output load. In case the required average input current is lower than the average inductor current defined by this constant ripple the inductor current gets discontinuous to keep the efficiency high at low load conditions.

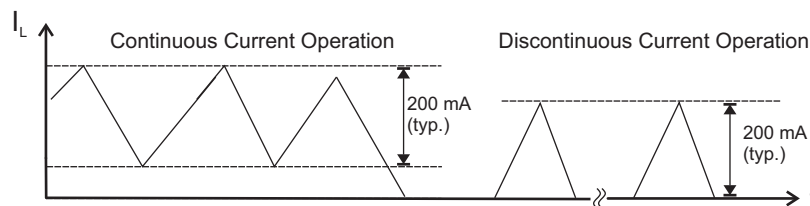


Figure 13. Hysteretic Current Operation

The output voltage V_{OUT} is monitored via the feedback network which is connected to the voltage error amplifier. To regulate the output voltage, the voltage error amplifier compares this feedback voltage to the internal voltage reference and adjusts the required offset of the inductor current accordingly. An external resistor divider needs to be connected.

The self oscillating hysteretic current mode architecture is inherently stable and allows fast response to load variations. It also allows using inductors and capacitors over a wide value range.

Feature Description (continued)

10.3.1.1 Startup

After the EN pin is tied high, the device starts to operate. In case the input voltage is not high enough to supply the control circuit properly a startup oscillator starts to operate the switches. During this phase the switching frequency is controlled by the oscillator and the maximum switch current is limited. As soon as the device has built up the output voltage to about 1.8 V, high enough for supplying the control circuit, the device switches to its normal hysteretic current mode operation. The startup time depends on input voltage and load current.

10.3.1.2 Operation at Output Overload

If in normal boost operation the inductor current reaches the internal switch current limit threshold the main switch is turned off to stop further increase of the input current.

In this case the output voltage will decrease since the device can not provide sufficient power to maintain the set output voltage.

If the output voltage drops below the input voltage the backgate diode of the rectifying switch gets forward biased and current starts flow through it. This diode cannot be turned off, so the current finally is only limited by the remaining DC resistances. As soon as the overload condition is removed, the converter resumes providing the set output voltage.

10.3.1.3 Undervoltage Lockout

An implemented undervoltage lockout function stops the operation of the converter if the input voltage drops below the typical undervoltage lockout threshold. This function is implemented in order to prevent malfunctioning of the converter.

10.3.1.4 Overvoltage Protection

If, for any reason, the output voltage is not fed back properly to the input of the voltage amplifier, control of the output voltage will not work anymore. Therefore an overvoltage protection is implemented to avoid the output voltage exceeding critical values for the device and possibly for the system it is supplying. For this protection the TLV61220 output voltage is also monitored internally. In case it reaches the internally programmed threshold of 6.5 V typically the voltage amplifier regulates the output voltage to this value.

If the TLV61220 is used to drive LEDs, this feature protects the circuit if the LED fails.

10.3.1.5 Overtemperature Protection

The device has a built-in temperature sensor which monitors the internal IC junction temperature. If the temperature exceeds the programmed threshold (see electrical characteristics table), the device stops operating. As soon as the IC temperature has decreased below the programmed threshold, it starts operating again. To prevent unstable operation close to the region of overtemperature threshold, a built-in hysteresis is implemented.

10.4 Device Functional Modes

10.4.1 Device Enable and Shutdown Mode

The device is enabled when EN is set high and shut down when EN is low. During shutdown, the converter stops switching and all internal control circuitry is turned off. In this case the input voltage is connected to the output through the back-gate diode of the rectifying MOSFET. This means that there always will be voltage at the output which can be as high as the input voltage or lower depending on the load.

11 Application and Implementation

NOTE

Information in the following applications sections is not part of the TI component specification, and TI does not warrant its accuracy or completeness. TI's customers are responsible for determining suitability of components for their purposes. Customers should validate and test their design implementation to confirm system functionality.

11.1 Application Information

The TLV61220 is intended for systems powered by a single cell battery to up to three Alkaline, NiCd or NiMH cells with a typical terminal voltage between 0.7 V and 5.5 V. It can also be used in systems powered by one-cell Li-Ion or Li-Polymer batteries with a typical voltage between 2.5 V and 4.2 V. Additionally, any other voltage source with a typical output voltage between 0.7 V and 5.5 V can be used with the TLV61220.

11.2 Typical Application

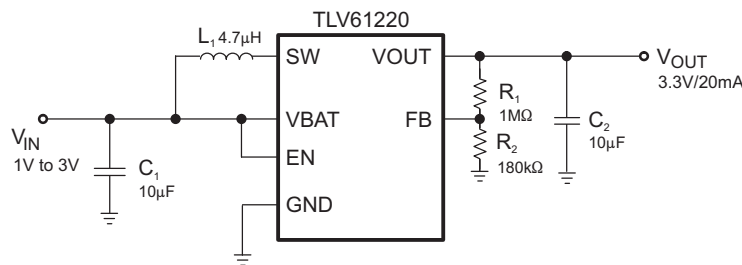


Figure 14. Typical Application Circuit for Adjustable Output Voltage Option

11.2.1 Design Requirements

In this example, TLV61220 is used to design a 3.3-V power supply with up to 50-mA output current capability. The TLV61220 can be powered by a single-cell battery to up to three Alkaline, NiCd or NiMH cells with a typical terminal voltage between 0.7 V and 5.5 V. It can also be used in systems powered by one-cell Li-Ion or Li-Polymer batteries with a typical voltage between 2.5 V and 4.2 V. In this example, the input voltage range is from 2 V to 3 V for one-cell coin cell battery input design.

Table 2. TLV61220 3.3 V Output Design Requirements

| PARAMETERS | VALUES |
|----------------|------------|
| Input Voltage | 2 V to 3 V |
| Output Voltage | 3.3 V |
| Output Current | 50 mA |

11.2.2 Detailed Design Procedure

Table 3. List of Components

| COMPONENT REFERENCE | PART NUMBER | MANUFACTURER | VALUE |
|---------------------------------|--------------------|--------------|--|
| C ₁ | GRM188R60J106ME84D | Murata | 10 µF, 6.3V. X5R Ceramic |
| C ₂ | GRM188R60J106ME84D | Murata | 10 µF, 6.3V. X5R Ceramic |
| L ₁ | 1269AS-H-4ZR7N | Toko | 4.7 µH |
| R ₁ , R ₂ | | | R ₁ = 1MΩ, R ₂ = Values depending on the programmed output voltage |

11.2.2.1 Adjustable Output Voltage Version

An external resistor divider is used to adjust the output voltage. The resistor divider needs to be connected between VOUT, FB and GND as shown in [Figure 14](#). When the output voltage is regulated properly, the typical voltage value at the FB pin is 500 mV. The maximum recommended value for the output voltage is 5.5 V. The current through the resistive divider should be about 100 times greater than the current into the FB pin. The typical current into the FB pin is 0.01 μ A, and the voltage across the resistor between FB and GND, R_2 , is typically 500 mV. Based on those two values, the recommended value for R_2 should be lower than 500 k Ω , in order to set the divider current to 1 μ A or higher. The value of the resistor connected between VOUT and FB, R_1 , depending on the needed output voltage (V_{OUT}), can be calculated using [Equation 1](#):

$$R_1 = R_2 \times \left(\frac{V_{OUT}}{V_{FB}} - 1 \right) \quad (1)$$

As an example, if an output voltage of 3.3 V is needed, a 1-M Ω resistor is calculated for R_1 when for R_2 a 180-k Ω has been selected.

11.2.2.2 Inductor Selection

To make sure that the TLV61220 can operate, a suitable inductor must be connected between pin VBAT and pin SW. Inductor values of 4.7 μ H show good performance over the whole input and output voltage range .

Choosing other inductance values affects the switching frequency f proportional to $1/L$ as shown in [Equation 2](#).

$$L = \frac{1}{f \times 200 \text{ mA}} \times \frac{V_{IN} \times (V_{OUT} - V_{IN})}{V_{OUT}} \quad (2)$$

Choosing inductor values higher than 4.7 μ H can improve efficiency due to reduced switching frequency and, therefore, with reduced switching losses. Using inductor values below 2.2 μ H is not recommended.

Having selected an inductance value, the peak current for the inductor in steady state operation can be calculated. [Equation 3](#) gives the peak current estimate.

$$I_{L,MAX} = \begin{cases} \frac{V_{OUT} \times I_{OUT}}{0.8 \times V_{IN}} + 100 \text{ mA}; & \text{continuous current operation} \\ 200 \text{ mA}; & \text{discontinuous current operation} \end{cases} \quad (3)$$

For selecting the inductor this would be the suitable value for the current rating. It also needs to be taken into account that load transients and error conditions may cause higher inductor currents.

[Equation 4](#) helps to estimate whether the device will work in continuous or discontinuous operation depending on the operating points. As long as the inequation is true, continuous operation is typically established. If the inequation becomes false, discontinuous operation is typically established.

$$\frac{V_{OUT} \times I_{OUT}}{V_{IN}} > 0.8 \times 100 \text{ mA} \quad (4)$$

The following inductor series from different suppliers have been used with TLV61220 converters:

Table 4. List of Inductors

| VENDOR | INDUCTOR SERIES |
|------------------|-----------------|
| Toko | DFE252010C |
| Coilcraft | EPL3015 |
| | EPL2010 |
| Murata | LQH3NP |
| Taiyo Yuden | NR3015 |
| Würth Elektronik | WE-TPC Typ S |

11.2.2.3 Capacitor Selection

11.2.2.3.1 Input Capacitor

At least a 10- μ F input capacitor is recommended to improve transient behavior of the regulator and EMI behavior of the total power supply circuit. A ceramic capacitor placed as close as possible to the VBAT and GND pins of the IC is recommended.

11.2.2.3.2 Output Capacitor

For the output capacitor C_2 , it is recommended to use small ceramic capacitors placed as close as possible to the VOUT and GND pins of the IC. If, for any reason, the application requires the use of large capacitors which can not be placed close to the IC, the use of a small ceramic capacitor with an capacitance value of around 2.2 μ F in parallel to the large one is recommended. This small capacitor should be placed as close as possible to the VOUT and GND pins of the IC.

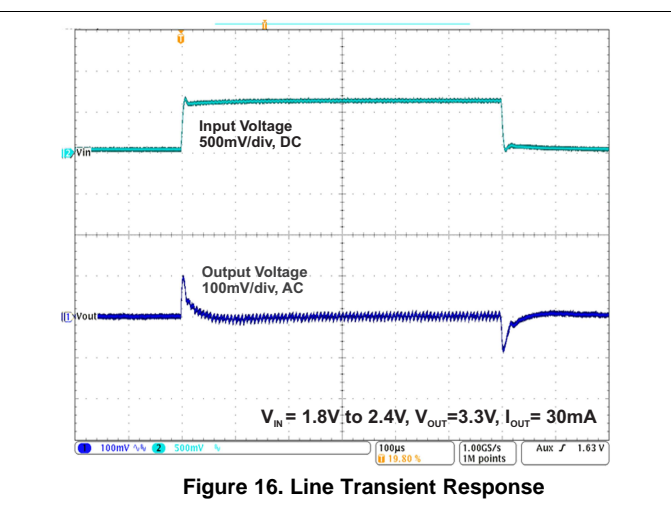
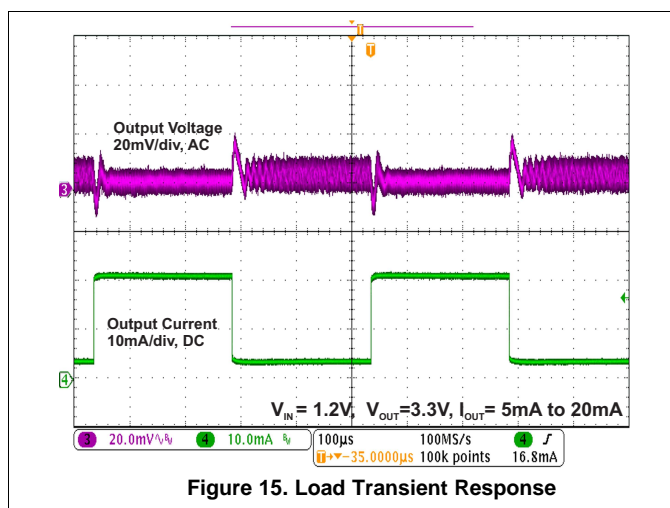
A minimum capacitance value of 4.7 μ F should be used, 10 μ F are recommended. If the inductor value exceeds 4.7 μ H, the value of the output capacitance value needs to be half the inductance value or higher for stability reasons, see [Equation 5](#).

$$C_2 \geq \frac{L}{2} \times \frac{\mu\text{F}}{\mu\text{H}} \quad (5)$$

The TLV61220 is not sensitive to the ESR in terms of stability. Using low ESR capacitors, such as ceramic capacitors, is recommended anyway to minimize output voltage ripple. If heavy load changes are expected, the output capacitor value should be increased to avoid output voltage drops during fast load transients.

11.2.3 Application Curves

| | FIGURE |
|--|---------------------------|
| Load transient, $V_I = 1.2\text{ V}$, $V_O = 3.3\text{ V}$, $I_O = 5\text{ mA}$ to 20 mA | Figure 15 |
| Line transient, $V_I = 1.8\text{ V}$ to 2.4 V , $V_O = 3.3\text{ V}$, $I_O = 30\text{ mA}$ | Figure 16 |
| Startup after Enable, $V_I = 1.2\text{ V}$, $V_O = 3.3\text{ V}$, $R_{\text{LOAD}} = 50\ \Omega$ | Figure 17 |



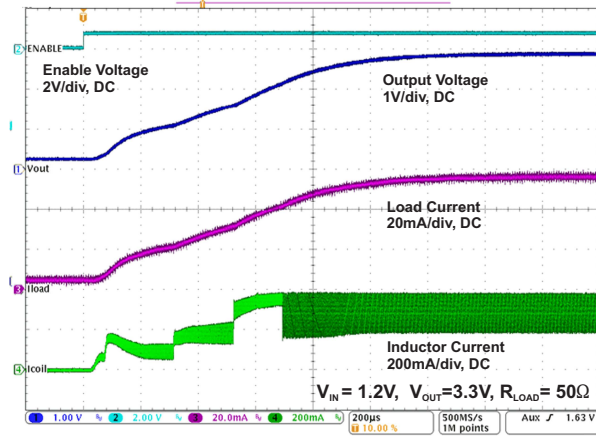


Figure 17. Start Up After Enable

12 Power Supply Recommendations

The power supply can be single-cell, two-cell, or three-cell alkaline, NiCd or NiMH, or one-cell Li-Ion or Li-polymer battery.

The input supply should be well regulated with the rating of TLV61220. If the input supply is located more than a few inches from the device, additional bulk capacitance may be required in addition to the ceramic bypass capacitors. An electrolytic or tantalum capacitor with a value of 47 μF is a typical choice.

13 Layout

13.1 Layout Guidelines

As for all switching power supplies, the layout is an important step in the design, especially at high peak currents and high switching frequencies. If the layout is not carefully done, the regulator could show stability problems as well as EMI problems. Therefore, use wide and short traces for the main current path and for the power ground paths. The input and output capacitor, as well as the inductor should be placed as close as possible to the IC.

The feedback divider should be placed as close as possible to the control ground pin of the IC. To lay out the ground, it is recommended to use short traces as well, separated from the power ground traces. This avoids ground shift problems, which can occur due to superimposition of power ground current and control ground current. Assure that the ground traces are connected close to the device GND pin.

13.2 Layout Example

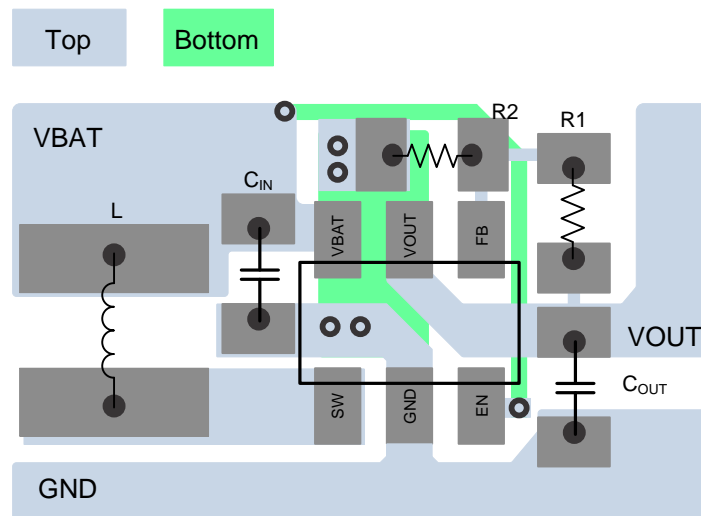


Figure 18. PCB Layout Recommendation

13.3 Thermal Considerations

Implementation of integrated circuits in low-profile and fine-pitch surface-mount packages typically requires special attention to power dissipation. Many system-dependent issues such as thermal coupling, airflow, added heat sinks and convection surfaces, and the presence of other heat-generating components affect the power-dissipation limits of a given component.

Three basic approaches for enhancing thermal performance are listed below.

- Improving the power-dissipation capability of the PCB design
- Improving the thermal coupling of the component to the PCB
- Introducing airflow in the system

For more details on how to use the thermal parameters in the dissipation ratings table please check the [Thermal Characteristics Application Note \(SZZA017\)](#) and the [IC Package Thermal Metrics Application Note \(SPRA953\)](#).

14 Device and Documentation Support

14.1 Device Support

14.1.1 Third-Party Products Disclaimer

TI'S PUBLICATION OF INFORMATION REGARDING THIRD-PARTY PRODUCTS OR SERVICES DOES NOT CONSTITUTE AN ENDORSEMENT REGARDING THE SUITABILITY OF SUCH PRODUCTS OR SERVICES OR A WARRANTY, REPRESENTATION OR ENDORSEMENT OF SUCH PRODUCTS OR SERVICES, EITHER ALONE OR IN COMBINATION WITH ANY TI PRODUCT OR SERVICE.

14.2 Documentation Support

14.2.1 Related Documentation

For related documentation see the following:

- *Thermal Characteristics Application Note*, [SZZA017](#)
- *IC Package Thermal Metrics Application Note*, [SPRA953](#)

14.3 Trademarks

All trademarks are the property of their respective owners.

14.4 Electrostatic Discharge Caution



These devices have limited built-in ESD protection. The leads should be shorted together or the device placed in conductive foam during storage or handling to prevent electrostatic damage to the MOS gates.

14.5 Glossary

[SLYZ022](#) — *TI Glossary*.

This glossary lists and explains terms, acronyms, and definitions.

15 Mechanical, Packaging, and Orderable Information

The following pages include mechanical, packaging, and orderable information. This information is the most current data available for the designated devices. This data is subject to change without notice and revision of this document. For browser-based versions of this data sheet, refer to the left-hand navigation.

PACKAGING INFORMATION

| Orderable Device | Status (1) | Package Type | Package Drawing | Pins | Package Qty | Eco Plan (2) | Lead finish/ Ball material (6) | MSL Peak Temp (3) | Op Temp (°C) | Device Marking (4/5) | Samples |
|------------------|---------------|--------------|--------------------|------|----------------|-----------------|--------------------------------------|----------------------|--------------|-------------------------|-------------------------|
| TLV61220DBVR | ACTIVE | SOT-23 | DBV | 6 | 3000 | RoHS & Green | NIPDAU | Level-1-260C-UNLIM | -40 to 85 | VUAI | Samples |
| TLV61220DBVT | ACTIVE | SOT-23 | DBV | 6 | 250 | RoHS & Green | NIPDAU | Level-1-260C-UNLIM | -40 to 85 | VUAI | Samples |

(1) The marketing status values are defined as follows:

ACTIVE: Product device recommended for new designs.

LIFEBUY: TI has announced that the device will be discontinued, and a lifetime-buy period is in effect.

NRND: Not recommended for new designs. Device is in production to support existing customers, but TI does not recommend using this part in a new design.

PREVIEW: Device has been announced but is not in production. Samples may or may not be available.

OBSOLETE: TI has discontinued the production of the device.

(2) **RoHS:** TI defines "RoHS" to mean semiconductor products that are compliant with the current EU RoHS requirements for all 10 RoHS substances, including the requirement that RoHS substance do not exceed 0.1% by weight in homogeneous materials. Where designed to be soldered at high temperatures, "RoHS" products are suitable for use in specified lead-free processes. TI may reference these types of products as "Pb-Free".

RoHS Exempt: TI defines "RoHS Exempt" to mean products that contain lead but are compliant with EU RoHS pursuant to a specific EU RoHS exemption.

Green: TI defines "Green" to mean the content of Chlorine (Cl) and Bromine (Br) based flame retardants meet JS709B low halogen requirements of <=1000ppm threshold. Antimony trioxide based flame retardants must also meet the <=1000ppm threshold requirement.

(3) MSL, Peak Temp. - The Moisture Sensitivity Level rating according to the JEDEC industry standard classifications, and peak solder temperature.

(4) There may be additional marking, which relates to the logo, the lot trace code information, or the environmental category on the device.

(5) Multiple Device Markings will be inside parentheses. Only one Device Marking contained in parentheses and separated by a "~" will appear on a device. If a line is indented then it is a continuation of the previous line and the two combined represent the entire Device Marking for that device.

(6) Lead finish/Ball material - Orderable Devices may have multiple material finish options. Finish options are separated by a vertical ruled line. Lead finish/Ball material values may wrap to two lines if the finish value exceeds the maximum column width.

Important Information and Disclaimer: The information provided on this page represents TI's knowledge and belief as of the date that it is provided. TI bases its knowledge and belief on information provided by third parties, and makes no representation or warranty as to the accuracy of such information. Efforts are underway to better integrate information from third parties. TI has taken and continues to take reasonable steps to provide representative and accurate information but may not have conducted destructive testing or chemical analysis on incoming materials and chemicals. TI and TI suppliers consider certain information to be proprietary, and thus CAS numbers and other limited information may not be available for release.

In no event shall TI's liability arising out of such information exceed the total purchase price of the TI part(s) at issue in this document sold by TI to Customer on an annual basis.

TAPE AND REEL INFORMATION

QUADRANT ASSIGNMENTS FOR PIN 1 ORIENTATION IN TAPE


*All dimensions are nominal

| Device | Package Type | Package Drawing | Pins | SPQ | Reel Diameter (mm) | Reel Width W1 (mm) | A0 (mm) | B0 (mm) | K0 (mm) | P1 (mm) | W (mm) | Pin1 Quadrant |
|--------------|--------------|-----------------|------|------|--------------------|--------------------|---------|---------|---------|---------|--------|---------------|
| TLV61220DBVR | SOT-23 | DBV | 6 | 3000 | 178.0 | 9.0 | 3.23 | 3.17 | 1.37 | 4.0 | 8.0 | Q3 |
| TLV61220DBVT | SOT-23 | DBV | 6 | 250 | 178.0 | 9.0 | 3.23 | 3.17 | 1.37 | 4.0 | 8.0 | Q3 |

TAPE AND REEL BOX DIMENSIONS


*All dimensions are nominal

| Device | Package Type | Package Drawing | Pins | SPQ | Length (mm) | Width (mm) | Height (mm) |
|--------------|--------------|-----------------|------|------|-------------|------------|-------------|
| TLV61220DBVR | SOT-23 | DBV | 6 | 3000 | 180.0 | 180.0 | 18.0 |
| TLV61220DBVT | SOT-23 | DBV | 6 | 250 | 180.0 | 180.0 | 18.0 |

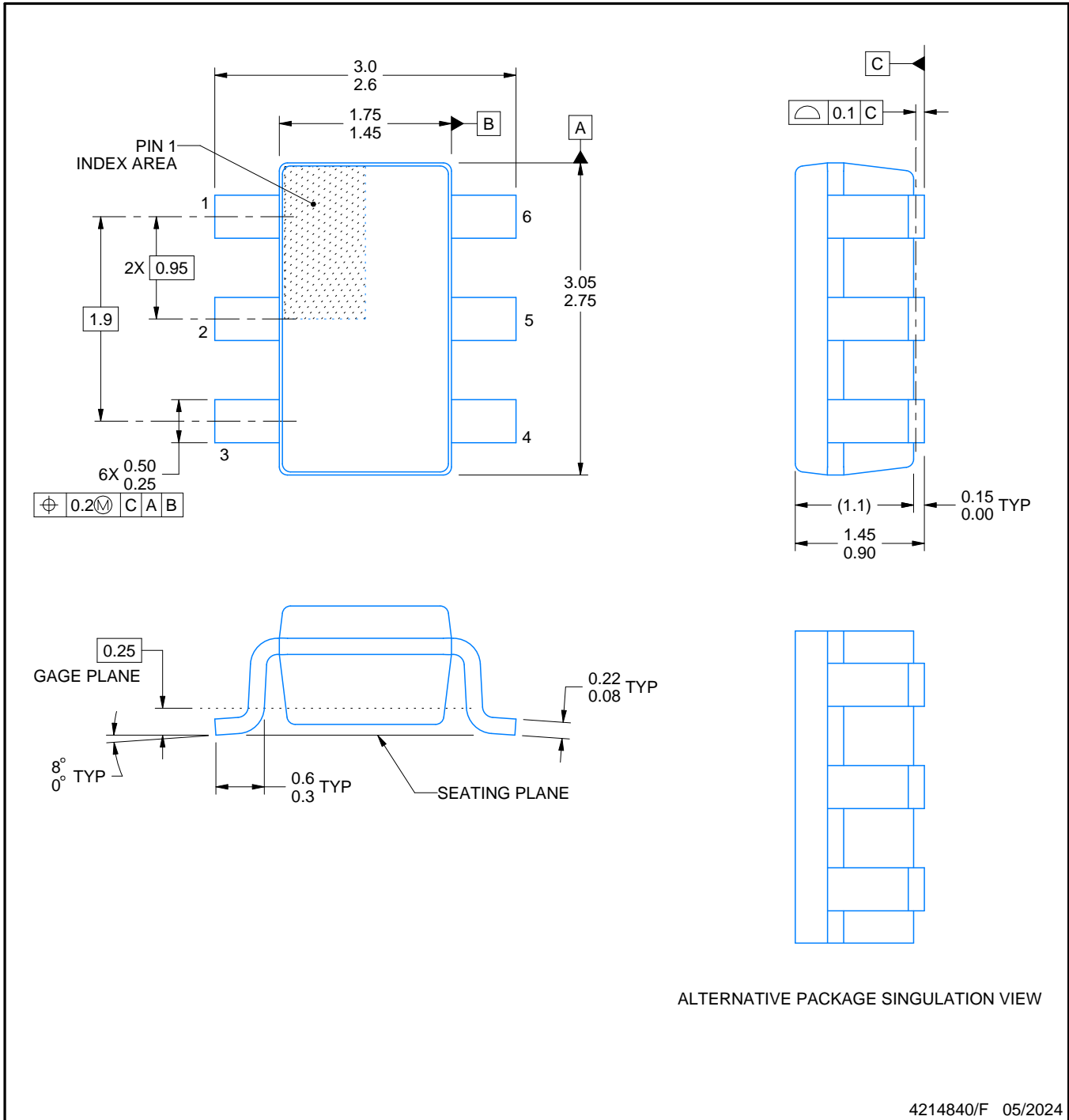
DBV0006A



PACKAGE OUTLINE

SOT-23 - 1.45 mm max height

SMALL OUTLINE TRANSISTOR



NOTES:

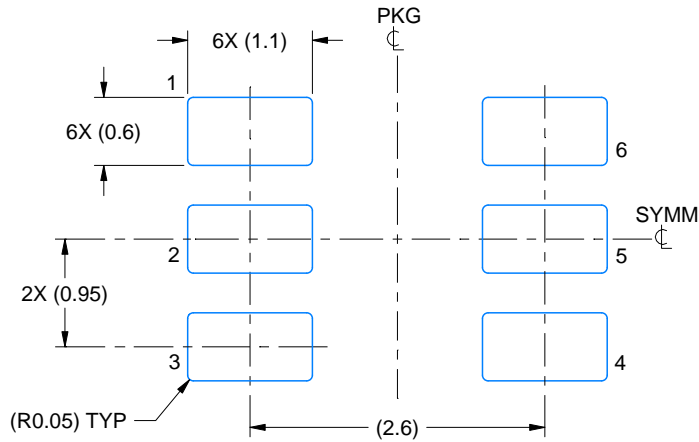
1. All linear dimensions are in millimeters. Any dimensions in parenthesis are for reference only. Dimensioning and tolerancing per ASME Y14.5M.
2. This drawing is subject to change without notice.
3. Body dimensions do not include mold flash or protrusion. Mold flash and protrusion shall not exceed 0.25 per side.
4. Leads 1,2,3 may be wider than leads 4,5,6 for package orientation.
5. Reference JEDEC MO-178.

EXAMPLE BOARD LAYOUT

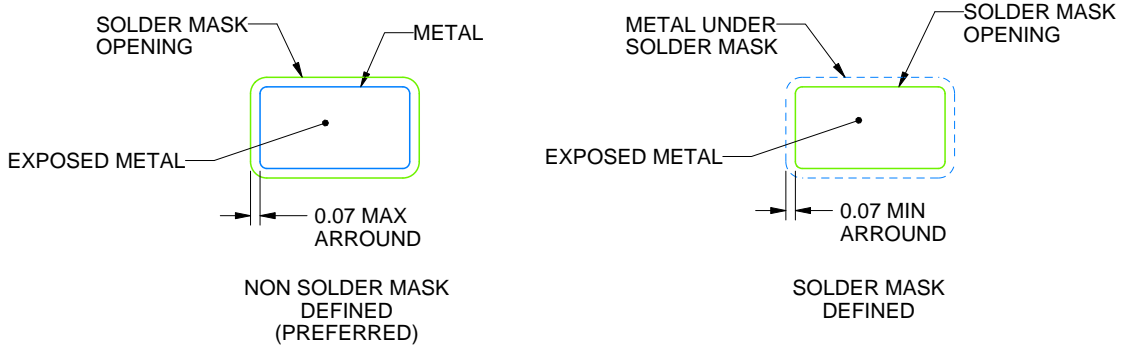
DBV0006A

SOT-23 - 1.45 mm max height

SMALL OUTLINE TRANSISTOR



LAND PATTERN EXAMPLE
EXPOSED METAL SHOWN
SCALE:15X



SOLDER MASK DETAILS

4214840/F 05/2024

NOTES: (continued)

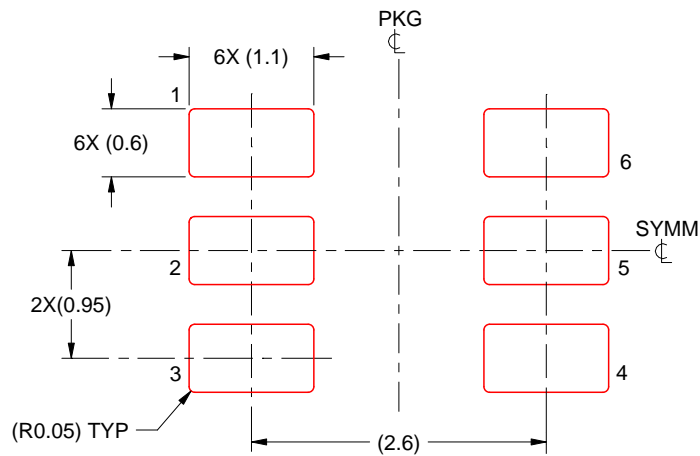
- 6. Publication IPC-7351 may have alternate designs.
- 7. Solder mask tolerances between and around signal pads can vary based on board fabrication site.

EXAMPLE STENCIL DESIGN

DBV0006A

SOT-23 - 1.45 mm max height

SMALL OUTLINE TRANSISTOR



SOLDER PASTE EXAMPLE
BASED ON 0.125 mm THICK STENCIL
SCALE:15X

4214840/F 05/2024

NOTES: (continued)

8. Laser cutting apertures with trapezoidal walls and rounded corners may offer better paste release. IPC-7525 may have alternate design recommendations.
9. Board assembly site may have different recommendations for stencil design.

IMPORTANT NOTICE AND DISCLAIMER

TI PROVIDES TECHNICAL AND RELIABILITY DATA (INCLUDING DATA SHEETS), DESIGN RESOURCES (INCLUDING REFERENCE DESIGNS), APPLICATION OR OTHER DESIGN ADVICE, WEB TOOLS, SAFETY INFORMATION, AND OTHER RESOURCES "AS IS" AND WITH ALL FAULTS, AND DISCLAIMS ALL WARRANTIES, EXPRESS AND IMPLIED, INCLUDING WITHOUT LIMITATION ANY IMPLIED WARRANTIES OF MERCHANTABILITY, FITNESS FOR A PARTICULAR PURPOSE OR NON-INFRINGEMENT OF THIRD PARTY INTELLECTUAL PROPERTY RIGHTS.

These resources are intended for skilled developers designing with TI products. You are solely responsible for (1) selecting the appropriate TI products for your application, (2) designing, validating and testing your application, and (3) ensuring your application meets applicable standards, and any other safety, security, regulatory or other requirements.

These resources are subject to change without notice. TI grants you permission to use these resources only for development of an application that uses the TI products described in the resource. Other reproduction and display of these resources is prohibited. No license is granted to any other TI intellectual property right or to any third party intellectual property right. TI disclaims responsibility for, and you will fully indemnify TI and its representatives against, any claims, damages, costs, losses, and liabilities arising out of your use of these resources.

TI's products are provided subject to [TI's Terms of Sale](#) or other applicable terms available either on [ti.com](https://www.ti.com) or provided in conjunction with such TI products. TI's provision of these resources does not expand or otherwise alter TI's applicable warranties or warranty disclaimers for TI products.

TI objects to and rejects any additional or different terms you may have proposed.

Mailing Address: Texas Instruments, Post Office Box 655303, Dallas, Texas 75265
Copyright © 2024, Texas Instruments Incorporated