

# TRSF3232E 3V TO 5.5V Two-Channel RS-232 1Mbit/s Line Driver and Receiver with $\pm 15\text{kV}$ IEC ESD Protection in Small Package

## 1 Features

- Operates with 3V to 5.5V  $V_{CC}$  supply
- Operates up to 1Mbit/s
- Low supply current: 300 $\mu\text{A}$  typical
- External capacitors: 4  $\times$  0.1 $\mu\text{F}$
- Accept 5V logic input with 3.3V supply
- Latch-up performance exceeds 100mA Per JESD 78, class II
- ESD protection for RS-232 pins
  - $\pm 15\text{kV}$  Human-Body Model (HBM)
  - $\pm 15\text{kV}$  IEC 61000-4-2 air-gap discharge
  - $\pm 8\text{kV}$  IEC 61000-4-2 contact discharge
- Available in near chip scale QFN (3mm $\times$ 3mm) package (85% smaller than SOIC-16)

## 2 Applications

- [Industrial PCs](#)
- [Wired networking](#)
- [Data center and enterprise computing](#)
- [Battery-powered systems](#)
- [PDAs](#)
- [Notebooks](#)
- [Palmtop PCs](#)
- [Hand-held equipment](#)

## 3 Description

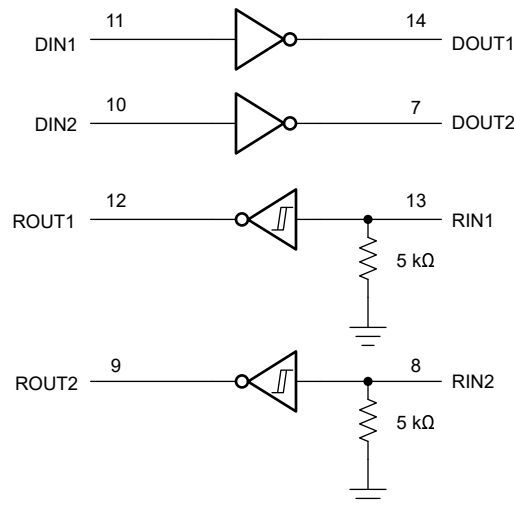
The TRSF3232E consists of two line drivers, two line receivers, and a dual charge-pump circuit with  $\pm 15\text{kV}$  ESD protection pin to pin (serial-port connection pins, including GND). This device provides the electrical interface between an asynchronous communication controller and the serial-port connector. The charge pump and four small external capacitors allow operation from a single 3V to 5.5V supply. The TRSF3232E operates at data signaling rates up to 1Mbit/s and a driver output slew rate of 14V/ $\mu\text{s}$  to 150V/ $\mu\text{s}$ .

### Package Information

| PART NUMBER | PACKAGE <sup>(1)</sup> | PACKAGE SIZE <sup>(2)</sup> |
|-------------|------------------------|-----------------------------|
| TRSF3232E   | D (SOIC)               | 9.9mm x 6mm                 |
|             | DB (SSOP)              | 6.2mm x 7.8mm               |
|             | DW (SOIC)              | 10.3 mm x 10.3mm            |
|             | PW (TSSOP)             | 5mm x 6.4mm                 |
|             | RGT (VQFN)             | 3mm x 3mm                   |
|             | SOT-23-THN (DYY, 16)   | 4.2mm $\times$ 2mm          |

(1) For more information, see [Section 11](#).

(2) The package size (length  $\times$  width) is a nominal value and includes pins, where applicable.



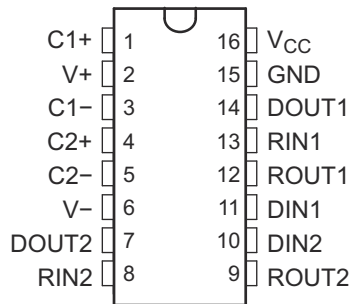
Logic Diagram (Positive Logic)



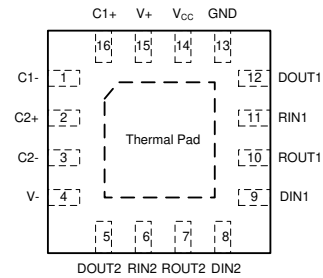
## Table of Contents

|  |    |  |    |
|--|----|--|----|
| <b>1 Features</b> .....                          | 1  | 7.1 Overview.....  | 10 |
| <b>2 Applications</b> .....                      | 1  | 7.2 Functional Block Diagram.....                                | 10 |
| <b>3 Description</b> .....                       | 1  | 7.3 Feature Description.....                                     | 10 |
| <b>4 Pin Configuration and Functions</b> .....   | 3  | 7.4 Device Functional Modes.....                                 | 11 |
| <b>5 Specifications</b> .....                    | 4  | <b>8 Application and Implementation</b> .....                    | 12 |
| 5.1 Absolute Maximum Ratings.....                | 4  | 8.1 Application Information.....                                 | 12 |
| 5.2 ESD Ratings.....                             | 4  | 8.2 Typical Application.....                                     | 12 |
| 5.3 ESD Protection, Driver.....                  | 4  | 8.3 Power Supply Recommendations.....                            | 13 |
| 5.4 ESD Protection, Receiver.....                | 4  | 8.4 Layout.....  | 13 |
| 5.5 Recommended Operating Conditions.....        | 5  | <b>9 Device and Documentation Support</b> .....                  | 15 |
| 5.6 Thermal Information.....                     | 5  | 9.1 Receiving Notification of Documentation Updates....          | 15 |
| 5.7 Electrical Characteristics.....              | 5  | 9.2 Support Resources.....                                       | 15 |
| 5.8 Electrical Characteristics, Driver.....      | 6  | 9.3 Trademarks.....  | 15 |
| 5.9 Electrical Characteristics, Receiver.....    | 6  | 9.4 Electrostatic Discharge Caution.....                         | 15 |
| 5.10 Switching Characteristics, Driver.....      | 7  | 9.5 Glossary.....  | 15 |
| 5.11 Switching Characteristics, Receiver.....    | 7  | <b>10 Revision History</b> .....                                 | 15 |
| 5.12 Typical Characteristics.....                | 8  | <b>11 Mechanical, Packaging, and Orderable Information</b> ..... | 16 |
| <b>6 Parameter Measurement Information</b> ..... | 9  |  |    |
| <b>7 Detailed Description</b> .....              | 10 |  |    |

## 4 Pin Configuration and Functions



**Figure 4-1. D, DB, DW, PW or DYY Package  
16-Pin SSOP, TSSOP, or SOT-23-THN  
(Top View)**



**Figure 4-2. RGT, VQFN Package (Top View)**

**Table 4-1. Pin Functions**

| NAME            | PIN                  |             | TYPE <sup>(1)</sup> | DESCRIPTION  |
|-----------------|----------------------|-------------|---------------------|--|
|                 | D, DB, DW, PW or DYY | RGT         |                     |  |
| C1+             | 1                    | 16          | -                   | Positive lead of C1 capacitor                                  |
| V+              | 2                    | 15          | O                   | Positive charge pump output for storage capacitor only         |
| C1-             | 3                    | 1           | -                   | Negative lead of C1 capacitor                                  |
| C2+             | 4                    | 2           | -                   | Positive lead of C2 capacitor                                  |
| C2-             | 5                    | 3           | -                   | Negative lead of C2 capacitor                                  |
| V-              | 6                    | 4           | O                   | Negative charge pump output for storage capacitor only         |
| DOUT2           | 7                    | 5           | O                   | RS232 line data output (to remote RS232 system)                |
| RIN2            | 8                    | 6           | I                   | RS232 line data input (from remote RS232 system)               |
| ROUT2           | 9                    | 7           | O                   | Logic data output (to UART)                                    |
| DIN2            | 10                   | 8           | I                   | Logic data input (from UART)                                   |
| DIN1            | 11                   | 9           | I                   | Logic data input (from UART)                                   |
| ROUT1           | 12                   | 10          | O                   | Logic data output (to UART)                                    |
| RIN1            | 13                   | 11          | I                   | RS232 line data input (from remote RS232 system)               |
| DOUT1           | 14                   | 12          | O                   | RS232 line data output (to remote RS232 system)                |
| GRD             | 15                   | 13          | -                   | Ground   |
| V <sub>CC</sub> | 16                   | 14          | -                   | Supply Voltage, Connect to external 3-V to 5.5-V power supply  |
| Thermal Pad     | -                    | Thermal Pad | -                   | Exposed thermal pad. Can be connected to GND or left floating. |

(1) Signal Types: I = Input, O = Output, I/O = Input or Output.

## 5 Specifications

### 5.1 Absolute Maximum Ratings

over operating free-air temperature range (unless otherwise noted) see note <sup>(1)</sup>

|                  |   | MIN       | MAX   | UNIT                  |   |
|------------------|---|-----------|-------|-----------------------|---|
| V <sub>CC</sub>  | Supply voltage range <sup>(2)</sup>                 | -0.3      | 6     | V                     |   |
| V+               | Positive-output supply voltage range <sup>(2)</sup> | -0.3      | 7     | V                     |   |
| V-               | Negative-output supply voltage range <sup>(2)</sup> | 0.3       | -7    | V                     |   |
| V+ – V-          | Supply voltage difference <sup>(2)</sup>            |           | 13    | V                     |   |
| V <sub>I</sub>   | Input voltage range                                 | Drivers   | -0.3  | 6                     | V |
|                  |   | Receivers | -25   | 25                    |   |
| V <sub>O</sub>   | Output voltage range                                | Drivers   | -13.2 | 13.2                  | V |
|                  |   | Receivers | -0.3  | V <sub>CC</sub> + 0.3 |   |
| T <sub>J</sub>   | Operating virtual junction temperature              |           | 150   | °C                    |   |
| T <sub>stg</sub> | Storage temperature range                           | -65       | 150   | °C                    |   |

- (1) Stresses beyond those listed under "absolute maximum ratings" may cause permanent damage to the device. These are stress ratings only, and functional operation of the device at these or any other conditions beyond those indicated under "recommended operating conditions" is not implied. Exposure to absolute-maximum-rated conditions for extended periods may affect device reliability.
- (2) All voltages are with respect to network GND.

### 5.2 ESD Ratings

|                    |                         | VALUE  | UNIT  |   |
|--------------------|-------------------------|--|-------|---|
| V <sub>(ESD)</sub> | Electrostatic discharge | Human-body model (HBM), per ANSI/ESDA/JEDEC JS-001 <sup>1</sup> .            | ±3000 | V |
|                    |                         | Charged-device model (CDM), per JEDEC specification JESD22-C101 <sup>2</sup> | ±1500 |   |

### 5.3 ESD Protection, Driver

| PIN NAME                    | TEST CONDITIONS                                | TYP | UNIT |
|-----------------------------|--|-----|------|
| DOUT1, DOUT2 <sup>(2)</sup> | Human-body model (HBM)                         | ±15 | kV   |
|                             | IEC 61000-4-2 Air-Gap Discharge <sup>(1)</sup> | ±15 |      |
|                             | IEC 61000-4-2 Contact Discharge <sup>(1)</sup> | ±8  |      |

- (1) For RGT, D and PW packages only: A minimum of 1-μF capacitor is needed between V<sub>CC</sub> and GND to meet the specified IEC ESD level.
- (2) For optimized IEC ESD performance for DYY package, the recommendation is to have series resistor (≥ 50Ω), on all logic inputs directly connected to power or ground, to minimize the transient currents going into or out of the logic pins.

### 5.4 ESD Protection, Receiver

| PIN NAME                  | TEST CONDITIONS                                | TYP | UNIT |
|---------------------------|--|-----|------|
| RIN1, RIN2 <sup>(2)</sup> | HBM  | ±15 | kV   |
|                           | IEC 61000-4-2 Air-Gap Discharge <sup>(1)</sup> | ±15 |      |
|                           | IEC 61000-4-2 Contact Discharge <sup>(1)</sup> | ±8  |      |

- (1) For RGT, D and PW packages only: A minimum of 1-μF capacitor is needed between V<sub>CC</sub> and GND to meet the specified IEC ESD level.
- (2) For optimized IEC ESD performance for DYY package, the recommendation is to have series resistor (≥ 50Ω), on all logic inputs directly connected to power or ground, to minimize the transient currents going into or out of the logic pins.

## 5.5 Recommended Operating Conditions

See note <sup>(1)</sup>

|                 |                                 |                         | MIN                     | NOM | MAX | UNIT |
|-----------------|---------------------------------|-------------------------|-------------------------|-----|-----|------|
| Supply voltage  |                                 | V <sub>CC</sub> = 3.3 V | 3                       | 3.3 | 3.6 | V    |
|                 |                                 | V <sub>CC</sub> = 5 V   | 4.5                     | 5   | 5.5 |      |
| V <sub>IH</sub> | Driver high-level input voltage | DIN                     | V <sub>CC</sub> = 3.3 V |     | 2   | V    |
|                 |                                 |                         | V <sub>CC</sub> = 5 V   |     | 2.4 |      |
| V <sub>IL</sub> | Driver low-level input voltage  | DIN                     |                         |     | 0.8 | V    |
| V <sub>I</sub>  | Driver input voltage            | DIN                     | 0                       | 5.5 |     | V    |
|                 | Receiver input voltage          |                         | -25                     |     | 25  |      |
| T <sub>A</sub>  | Operating free-air temperature  | TRSF3232EI              | -40                     |     | 85  | °C   |
|                 |                                 | TRSF3232EC              | 0                       |     | 70  |      |

(1) Test conditions are C1–C4 = 0.1 μF at V<sub>CC</sub> = 3.3 V ± 0.3 V; C1 = 0.047 μF, C2–C4 = 0.33 μF at V<sub>CC</sub> = 5 V ± 0.5 V (see [Figure 8-1](#)).

## 5.6 Thermal Information

| THERMAL METRIC <sup>(1)</sup> |  | TRSF3232E  |          |           |           |            |                  | UNIT |
|-------------------------------|--|------------|----------|-----------|-----------|------------|------------------|------|
|                               |  | PW (TSSOP) | D (SOIC) | DW (SOIC) | DB (SSOP) | RGT (VQFN) | DYY (SOT-23-THN) |      |
|                               |  | 16 Pins    | 16 Pins  | 16 Pins   | 16 Pins   | 16 Pins    | 16 Pins          |      |
| R <sub>θJA</sub>              | Junction-to-ambient thermal resistance       | 108.2      | 85.9     | 57        | 46        | 48.8       | 106.2            | °C/W |
| R <sub>θJC(top)</sub>         | Junction-to-case (bottom) thermal resistance | 39.0       | 43.1     | 33.5      | 36.2      | 55.8       | 47.4             | °C/W |
| R <sub>θJB</sub>              | Junction-to-board thermal resistance         | 54.4       | 44.5     | 37.1      | 43.8      | 23.2       | 44.7             | °C/W |
| ψ <sub>JT</sub>               | Junction-to-top characterization parameter   | 3.3        | 10.1     | 7.5       | 4.2       | 1.7        | 1.7              | °C/W |
| ψ <sub>JB</sub>               | Junction-to-board characterization parameter | 53.8       | 44.1     | 37.1      | 42.9      | 23.2       | 43.7             | °C/W |
| R <sub>θJC(bot)</sub>         | Junction-to-case (bottom) thermal resistance | N/A        | N/A      | N/A       | N/A       | 9.0        | N/A              | °C/W |

(1) For more information about traditional and new thermal metrics, see the [Semiconductor and IC package thermal metrics](#) application report.

## 5.7 Electrical Characteristics

over recommended ranges of supply voltage and operating free-air temperature (unless otherwise noted)

| PARAMETER       |                | TEST CONDITIONS <sup>(1)</sup> |                                | MIN | TYP <sup>(2)</sup> | MAX | UNIT |
|-----------------|----------------|--------------------------------|--------------------------------|-----|--------------------|-----|------|
| I <sub>CC</sub> | Supply current | No load,                       | V <sub>CC</sub> = 3.3 V or 5 V |     | 0.3                | 1   | mA   |

(1) Test conditions are C1–C4 = 0.1 μF at V<sub>CC</sub> = 3.3 V ± 0.3 V; C1 = 0.047 μF, C2–C4 = 0.33 μF at V<sub>CC</sub> = 5 V ± 0.5 V (see [Figure 8-1](#)).

(2) All typical values are at V<sub>CC</sub> = 3.3 V or V<sub>CC</sub> = 5 V, and T<sub>A</sub> = 25°C.

## 5.8 Electrical Characteristics, Driver

over recommended ranges of supply voltage and operating free-air temperature (unless otherwise noted)

| PARAMETER   | TEST CONDITIONS <sup>(1)</sup>                              | MIN                    | TYP <sup>(2)</sup> | MAX | UNIT |
|---|---|------------------------|--------------------|-----|------|
| V <sub>OH</sub> High-level output voltage                   | DOUT at R <sub>L</sub> = 3 kΩ to GND, DIN = GND             | 5                      | 5.5                |     | V    |
| V <sub>OL</sub> Low-level output voltage                    | DOUT at R <sub>L</sub> = 3 kΩ to GND, DIN = V <sub>CC</sub> | –5                     | –5.4               |     | V    |
| I <sub>IH</sub> High-level input current                    | V <sub>I</sub> = V <sub>CC</sub>                            |                        | ±0.01              | ±1  | μA   |
| I <sub>IL</sub> Low-level input current                     | V <sub>I</sub> at GND                                       |                        | ±0.01              | ±1  | μA   |
| I <sub>OS</sub> <sup>(3)</sup> Short-circuit output current | V <sub>CC</sub> = 3.6 V, V <sub>O</sub> = 0 V               |                        | ±35                | ±60 | mA   |
|   | V <sub>CC</sub> = 5.5 V, V <sub>O</sub> = 0 V               | RGT package only       | ±35                | ±60 |      |
|   |   | D, DB, DW, PW packages | ±35                | ±90 |      |
| r <sub>o</sub> Output resistance                            | V <sub>CC</sub> , V+, and V– = 0 V, V <sub>O</sub> = ±2 V   | 300                    | 10M                |     | Ω    |

(1) Test conditions are C1–C4 = 0.1 μF at V<sub>CC</sub> = 3.3 V ± 0.3 V; C1 = 0.047 μF, C2–C4 = 0.33 μF at V<sub>CC</sub> = 5 V ± 0.5 V (see Figure 8-1).

(2) All typical values are at V<sub>CC</sub> = 3.3 V or V<sub>CC</sub> = 5 V, and T<sub>A</sub> = 25°C.

(3) Short-circuit durations should be controlled to prevent exceeding the device absolute power dissipation ratings, and not more than one output should be shorted at a time.

## 5.9 Electrical Characteristics, Receiver

over recommended ranges of supply voltage and operating free-air temperature (unless otherwise noted)

| PARAMETER  | TEST CONDITIONS <sup>(1)</sup> | MIN                   | TYP <sup>(2)</sup>    | MAX | UNIT |
|--|--------------------------------|-----------------------|-----------------------|-----|------|
| V <sub>OH</sub> High-level output voltage                                | I <sub>OH</sub> = –1 mA        | V <sub>CC</sub> – 0.6 | V <sub>CC</sub> – 0.1 |     | V    |
| V <sub>OL</sub> Low-level output voltage                                 | I <sub>OL</sub> = 1.6 mA       |                       |                       | 0.4 | V    |
| V <sub>IT+</sub> Positive-going input threshold voltage                  | V <sub>CC</sub> = 3.3 V        |                       | 1.5                   | 2.4 | V    |
|  | V <sub>CC</sub> = 5 V          |                       | 1.8                   | 2.4 |      |
| V <sub>IT–</sub> Negative-going input threshold voltage                  | V <sub>CC</sub> = 3.3 V        | 0.6                   | 1.2                   |     | V    |
|  | V <sub>CC</sub> = 5 V          | 0.8                   | 1.5                   |     |      |
| V <sub>hys</sub> Input hysteresis (V <sub>IT+</sub> – V <sub>IT–</sub> ) |                                |                       | 0.3                   |     | V    |
| r <sub>i</sub> Input resistance  | V <sub>I</sub> = ±3 V to ±25 V | 3                     | 5                     | 7   | kΩ   |

(1) Test conditions are C1–C4 = 0.1 μF at V<sub>CC</sub> = 3.3 V ± 0.3 V; C1 = 0.047 μF, C2–C4 = 0.33 μF at V<sub>CC</sub> = 5 V ± 0.5 V (see Figure 8-1).

(2) All typical values are at V<sub>CC</sub> = 3.3 V or V<sub>CC</sub> = 5 V, and T<sub>A</sub> = 25°C.

## 5.10 Switching Characteristics, Driver

over recommended ranges of supply voltage and operating free-air temperature (unless otherwise noted)

|  |  | TEST CONDITIONS <sup>(1)</sup>                             |  | MIN  | TYP <sup>(2)</sup> | MAX | UNIT   |
|--|--|--|--|------|--------------------|-----|--------|
| Maximum data rate<br>(see Figure 6-1)                | R <sub>L</sub> = 3 kΩ,<br>One DOUT switching   | C <sub>L</sub> = 250 pF, V <sub>CC</sub> = 3 V to 4.5 V    |  | 1000 |                    |     | kbit/s |
|  |  | C <sub>L</sub> = 1000 pF, V <sub>CC</sub> = 3.5 V to 5.5 V |  | 1000 |                    |     |        |
| t <sub>sk(p)</sub> Pulse skew <sup>(3)</sup>         | C <sub>L</sub> = 1000 pF, R <sub>L</sub> = 3 kΩ, V <sub>CC</sub> = 5 V (see Figure 6-2)    | RGT package only   |  | 70   |                    |     | ns     |
|  | C <sub>L</sub> = 150 pF to 2500 pF, R <sub>L</sub> = 3 kΩ to 7 kΩ (see Figure 6-2)         | D, DB, DW, PW packages                                     |  | 300  |                    |     |        |
| SR(tr) Slew rate, transition region (see Figure 6-1) | R <sub>L</sub> = 3 kΩ to 7 kΩ, C <sub>L</sub> = 150 pF to 1000 pF, V <sub>CC</sub> = 3.3 V |  |  | 14   |                    | 150 | V/μs   |

(1) Test conditions are C1–C4 = 0.1 μF at V<sub>CC</sub> = 3.3 V ± 0.3 V; C1 = 0.047 μF, C2–C4 = 0.33 μF at V<sub>CC</sub> = 5 V ± 0.5 V (see Figure 8-1).

(2) All typical values are at V<sub>CC</sub> = 3.3 V or V<sub>CC</sub> = 5 V, and T<sub>A</sub> = 25°C.

(3) Pulse skew is defined as |t<sub>PLH</sub> – t<sub>PHL</sub>| of each channel of the same device.

## 5.11 Switching Characteristics, Receiver

over recommended ranges of supply voltage and operating free-air temperature (unless otherwise noted)

|  |                         | TEST CONDITIONS <sup>(1)</sup> |  | MIN | TYP <sup>(2)</sup> | MAX | UNIT |
|--|-------------------------|--------------------------------|--|-----|--------------------|-----|------|
| t <sub>PLH</sub> Propagation delay time, low- to high-level output | C <sub>L</sub> = 150 pF | RGT package                    |  | 85  |                    |     | ns   |
|  |                         | D, DB, DW, PW packages         |  | 300 |                    |     |      |
| t <sub>PHL</sub> Propagation delay time, high- to low-level output | C <sub>L</sub> = 150 pF | RGT package                    |  | 110 |                    |     | ns   |
|  |                         | D, DB, DW, PW packages         |  | 300 |                    |     |      |
| t <sub>sk(p)</sub> Pulse skew <sup>(3)</sup>                       | RGT package             |                                |  | 25  |                    |     | ns   |
|  | D, DB, DW, PW packages  |                                |  | 300 |                    |     |      |

(1) Test conditions are C1–C4 = 0.1 μF at V<sub>CC</sub> = 3.3 V ± 0.3 V; C1 = 0.047 μF, C2–C4 = 0.33 μF at V<sub>CC</sub> = 5 V ± 0.5 V (see Figure 8-1).

(2) All typical values are at V<sub>CC</sub> = 3.3 V or V<sub>CC</sub> = 5 V, and T<sub>A</sub> = 25°C.

(3) Pulse skew is defined as |t<sub>PLH</sub> – t<sub>PHL</sub>| of each channel of the same device.

## 5.12 Typical Characteristics

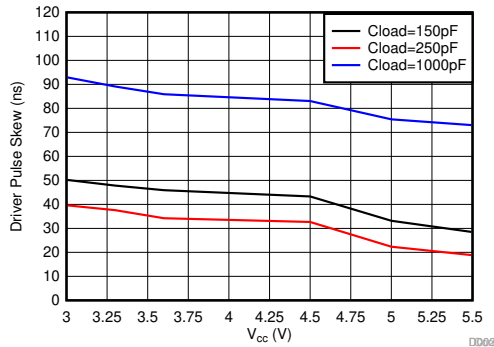


Figure 5-1. Driver pulse skew at  $T_A = 25^\circ\text{C}$  (RGT package)

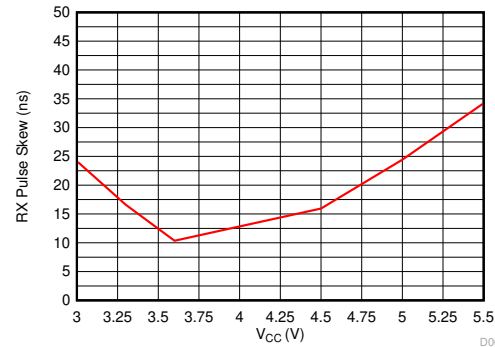


Figure 5-2. Receiver path skew at  $T_A = 25^\circ\text{C}$  ( $t_{pHL} - t_{pLH}$ ) (RGT package)

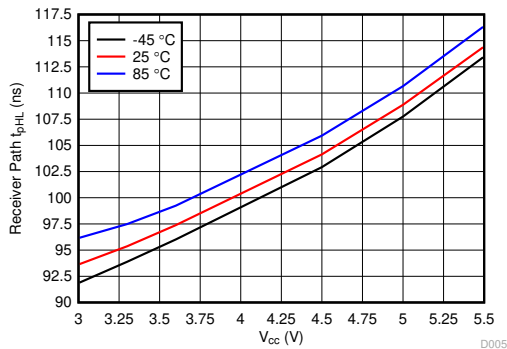


Figure 5-3. Receiver path high-to-low propagation delay,  $C_L = 150\text{pF}$  (RGT package)

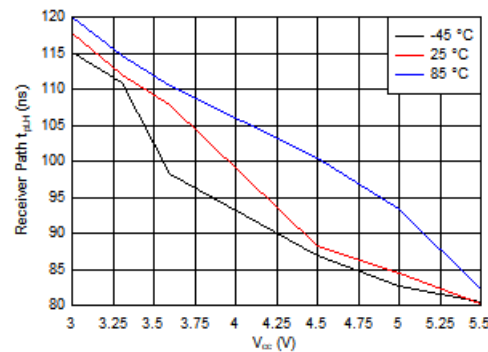
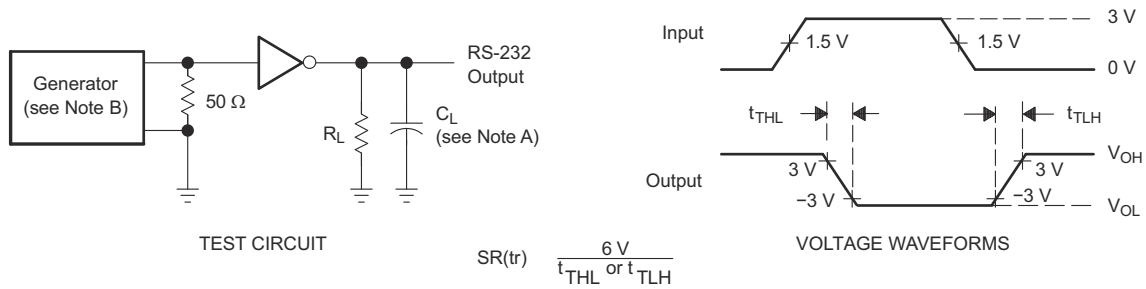


Figure 5-4. Receiver path low-to-high propagation delay,  $C_L = 150\text{pF}$  (RGT package)

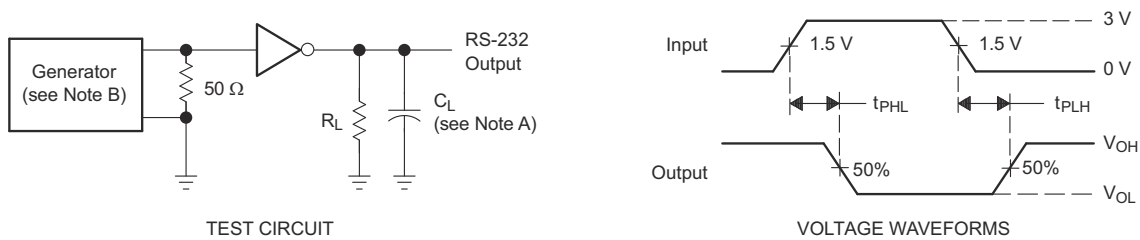


## 6 Parameter Measurement Information



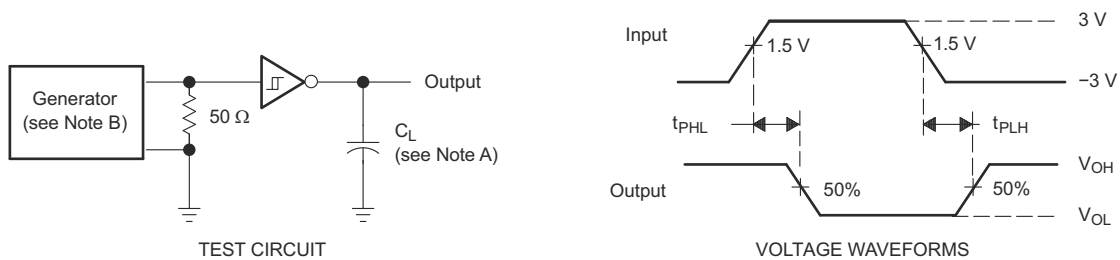
NOTES: A.  $C_L$  includes probe and jig capacitance.  
B. The pulse generator has the following characteristics: PRR = 250 kbit/s,  $Z_O = 50\ \Omega$ , 50% duty cycle,  $t_r \leq 10\text{ ns}$ ,  $t_f \leq 10\text{ ns}$ .

Figure 6-1. Driver Slew Rate



NOTES: A.  $C_L$  includes probe and jig capacitance.  
B. The pulse generator has the following characteristics: PRR = 250 kbit/s,  $Z_O = 50\ \Omega$ , 50% duty cycle,  $t_r \leq 10\text{ ns}$ ,  $t_f \leq 10\text{ ns}$ .

Figure 6-2. Driver Pulse Skew



NOTES: A.  $C_L$  includes probe and jig capacitance.  
B. The pulse generator has the following characteristics:  $Z_O = 50\ \Omega$ , 50% duty cycle,  $t_r \leq 10\text{ ns}$ ,  $t_f \leq 10\text{ ns}$ .

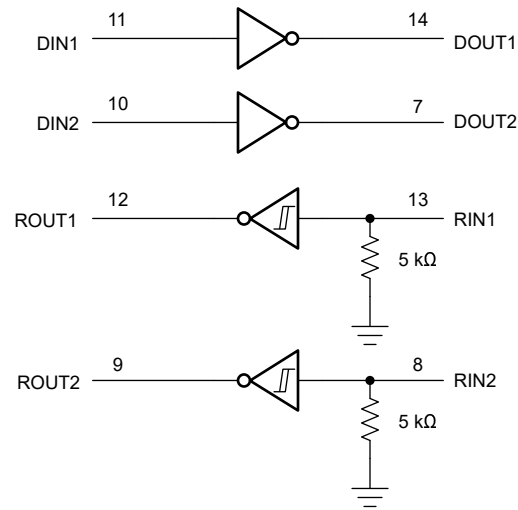
Figure 6-3. Receiver Propagation Delay Times

## 7 Detailed Description

### 7.1 Overview

The TRSF3232E device consists of two line drivers, two line receivers, and a dual charge-pump circuit with  $\pm 15\text{kV}$  IEC ESD protection between serial-port connection terminals and GND. The device meets the requirements of TIA/EIA-232-F and provides the electrical interface between an asynchronous communication controller and the serial-port connector. The charge pump and four small external capacitors allow operation from one 3V to 5.5V supply. The device operates at data signaling rates up to 1Mbps and a maximum of  $150\text{V}/\mu\text{s}$  driver output slew rate. Outputs are protected against shorts to ground.

### 7.2 Functional Block Diagram



### 7.3 Feature Description

#### 7.3.1 Power

The power block increases, inverts, and regulates voltage at V+ and V– pins using a charge pump that requires four external capacitors.

#### 7.3.2 RS232 Driver

Two drivers interface the standard logic level to RS232 levels. Both DIN inputs must be valid high or low.

#### 7.3.3 RS232 Receiver

Two receivers interface RS232 levels to standard logic levels. An open input results in a high output on ROUT. Each RIN input includes an internal standard RS232 load.

## 7.4 Device Functional Modes

**Table 7-1. Each Driver**

| INPUT DIN <sup>(1)</sup> | OUTPUT DOUT |
|--------------------------|-------------|
| L                        | H           |
| H                        | L           |

(1) H = high level, L = low level

**Table 7-2. Each Receiver**

| INPUT RIN <sup>(1)</sup> | OUTPUT ROUT |
|--------------------------|-------------|
| L                        | H           |
| H                        | L           |
| Open                     | H           |

(1) H = high level, L = low level,  
Open = input disconnected or connected driver off

### 7.4.1 $V_{CC}$ Powered by 3V to 5.5V

The device is in normal operation.

### 7.4.2 $V_{CC}$ Unpowered, $V_{CC} = 0V$

When the TRSF3232 device is unpowered, it can be safely connected to an active remote RS232 device.

## 8 Application and Implementation

### Note

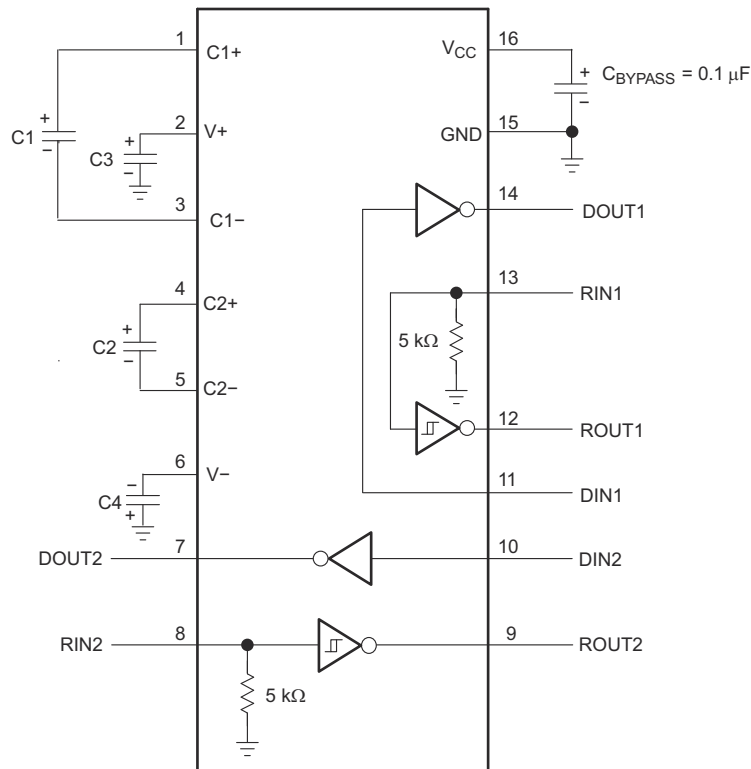
Information in the following applications sections is not part of the TI component specification, and TI does not warrant its accuracy or completeness. TI's customers are responsible for determining suitability of components for their purposes, as well as validating and testing their design implementation to confirm system functionality.

### 8.1 Application Information

The TRSF3232E device is designed to convert single-ended signals into RS232-compatible signals, and vice-versa. This device can be used in any application where an RS232 line driver or receiver is required.

ROUT and DIN connect to UART or general-purpose logic lines. RIN and DOUT lines connect to a RS232 connector or cable.

### 8.2 Typical Application



A. C3 can be connected to  $V_{CC}$  or GND.

Figure 8-1. Typical Operating Circuit and Capacitor Values

Table 8-1.  $V_{CC}$  vs Capacitor Values

| $V_{CC}$        | C1           | C2, C3, C4  |
|-----------------|--------------|-------------|
| $3.3V \pm 0.3V$ | $0.1\mu F$   | $0.1\mu F$  |
| $5V \pm 0.5V$   | $0.047\mu F$ | $0.33\mu F$ |
| 3V to 5.5V      | $0.1\mu F$   | $0.47\mu F$ |

### 8.2.1 Design Requirements

- Recommended  $V_{CC}$  is 3.3V or 5V
  - 3V to 5.5V is also possible
- Maximum recommended bit rate is 250kbites

### 8.2.2 Detailed Design Procedure

All DIN inputs must be connected to valid low or high logic levels. Select capacitor values based on VCC level for best performance.

### 8.2.3 Application Performance Plots

VCC must be between 3 V and 5.5 V. Charge pump capacitors must be chosen using [Table 8-1](#)

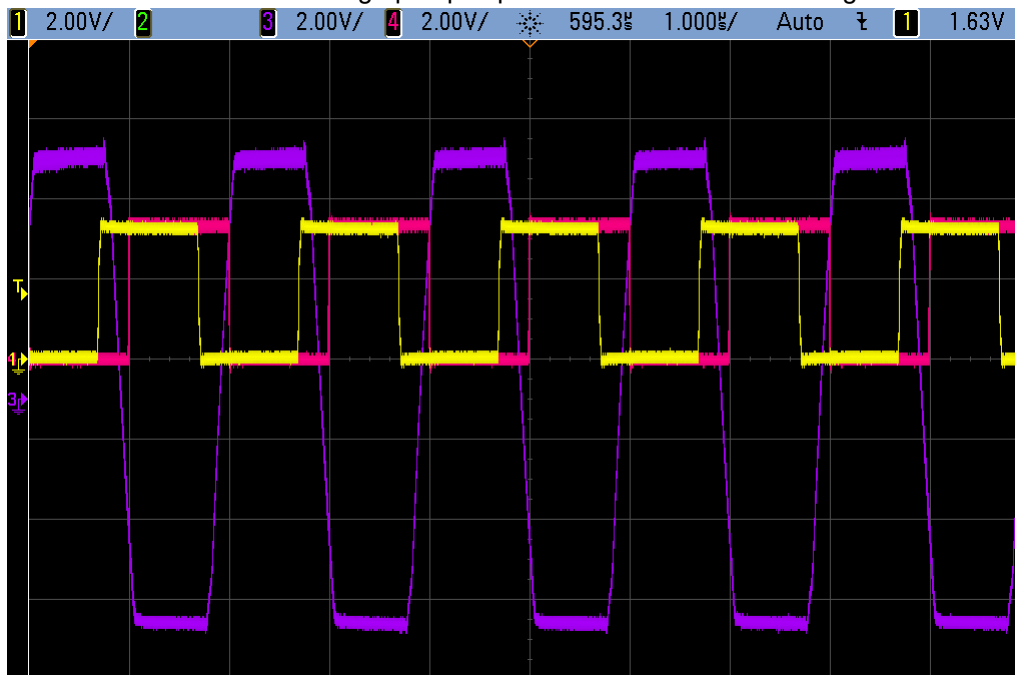


Figure 8-2. 1Mbps timing waveform from driver input to receiver output loopback. DOUT to RIN trace is in purple, DIN trace is in yellow and ROUT trace is in pink

## 8.3 Power Supply Recommendations

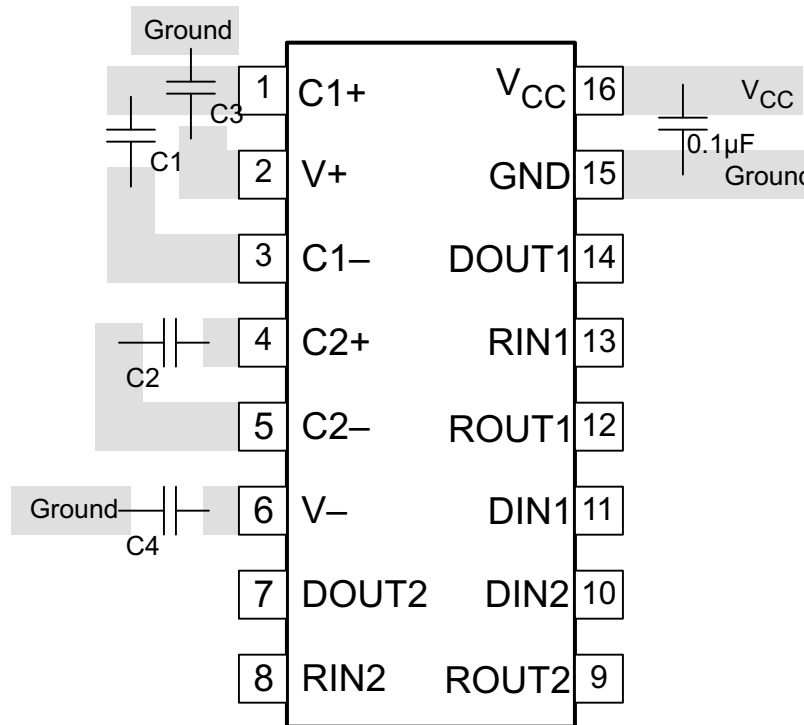
The supply voltage,  $V_{CC}$ , should be between 3V and 5.5V. Select the charge-pump capacitors using [Table 8-1](#).

## 8.4 Layout

### 8.4.1 Layout Guidelines

Keep the external capacitor traces short, specifically on the C1 and C2 nodes that have the fastest rise and fall times.

**8.4.2 Layout Example**



**Figure 8-3. Layout Diagram**

## 9 Device and Documentation Support

TI offers an extensive line of development tools. Tools and software to evaluate the performance of the device, generate code, and develop solutions are listed below.

### 9.1 Receiving Notification of Documentation Updates

To receive notification of documentation updates, navigate to the device product folder on [ti.com](http://ti.com). Click on *Notifications* to register and receive a weekly digest of any product information that has changed. For change details, review the revision history included in any revised document.

### 9.2 Support Resources

TI E2E™ [support forums](#) are an engineer's go-to source for fast, verified answers and design help — straight from the experts. Search existing answers or ask your own question to get the quick design help you need.

Linked content is provided "AS IS" by the respective contributors. They do not constitute TI specifications and do not necessarily reflect TI's views; see TI's [Terms of Use](#).

### 9.3 Trademarks

TI E2E™ is a trademark of Texas Instruments.  
All trademarks are the property of their respective owners.

### 9.4 Electrostatic Discharge Caution



This integrated circuit can be damaged by ESD. Texas Instruments recommends that all integrated circuits be handled with appropriate precautions. Failure to observe proper handling and installation procedures can cause damage.

ESD damage can range from subtle performance degradation to complete device failure. Precision integrated circuits may be more susceptible to damage because very small parametric changes could cause the device not to meet its published specifications.

### 9.5 Glossary

[TI Glossary](#) This glossary lists and explains terms, acronyms, and definitions.

## 10 Revision History

NOTE: Page numbers for previous revisions may differ from page numbers in the current version.

| <b>Changes from Revision B (June 2021) to Revision C (December 2024)</b>                   | <b>Page</b> |
|--|-------------|
| • Changed the <i>Device Information</i> table to the <i>Package Information</i> table..... | 1           |
| • Added the SOT-23-THN (DYY) package to the data sheet.....                                | 1           |
| • Added Note 2 to the <i>ESD Protection, Driver</i> .....                                  | 4           |
| • Added Note 2 to the <i>ESD Protection, Receiver</i> .....                                | 4           |

| <b>Changes from Revision A (December 2020) to Revision B (June 2021)</b>  | <b>Page</b> |
|---|-------------|
| • Added <i>Applications</i> : Industrial PCs, Wired networking, and Data center and enterprise computing.....       | 1           |
| • Changed the table note in the <i>ESD Protection, Driver</i> table to make it applicable to D and PW packages..... | 4           |
| • Changed the table note in the <i>ESD Protection, Receiver</i> table to make it applicable to D and PW packages..  | 4           |
| • Changed the thermal parameter values for D and PW packages in the <i>Thermal Information</i> table.....           | 5           |

| <b>Changes from Revision * (August 2007) to Revision A (December 2020)</b>   | <b>Page</b> |
|--|-------------|
| • Added Device Information table, ESD Ratings table, Feature Description section, Device Functional Modes, Application and Implementation section, Power Supply Recommendations section, Layout section, Device and Documentation Support section, and Mechanical, Packaging, and Orderable Information section..... | 1           |
| • Added Note to the <i>ESD Protection, Driver</i> .....  | 4           |

|  |   |
|--|---|
| • Added Note to the <i>ESD Protection, Receiver</i> .....  | 4 |
| • Added $t_{sk(p)}$ row for RGT package in the <i>Switching Characteristics, Driver</i> .....                | 7 |
| • Added $t_{PLH}$ and $t_{PHL}$ rows for RGT package in the <i>Switching Characteristics, Receiver</i> ..... | 7 |
| • Added $t_{sk(p)}$ row for RGT package in the <i>Switching Characteristics, Receiver</i> .....              | 7 |

---

## 11 Mechanical, Packaging, and Orderable Information

The following pages include mechanical, packaging, and orderable information. This information is the most current data available for the designated devices. This data is subject to change without notice and revision of this document. For browser-based versions of this data sheet, refer to the left-hand navigation.



**PACKAGING INFORMATION**

| Orderable part number          | Status<br>(1) | Material type<br>(2) | Package   Pins            | Package qty   Carrier | RoHS<br>(3) | Lead finish/<br>Ball material<br>(4) | MSL rating/<br>Peak reflow<br>(5) | Op temp (°C) | Part marking<br>(6) |
|--------------------------------|---------------|----------------------|---------------------------|-----------------------|-------------|--------------------------------------|-----------------------------------|--------------|---------------------|
| <a href="#">TRSF3232ECDBR</a>  | Active        | Production           | SSOP (DB)   16            | 2000   LARGE T&R      | Yes         | NIPDAU                               | Level-1-260C-UNLIM                | 0 to 70      | RT32EC              |
| TRSF3232ECDBR.A                | Active        | Production           | SSOP (DB)   16            | 2000   LARGE T&R      | Yes         | NIPDAU                               | Level-1-260C-UNLIM                | 0 to 70      | RT32EC              |
| <a href="#">TRSF3232ECDR</a>   | Active        | Production           | SOIC (D)   16             | 2500   LARGE T&R      | Yes         | NIPDAU                               | Level-1-260C-UNLIM                | 0 to 70      | TRSF3232EC          |
| TRSF3232ECDR.A                 | Active        | Production           | SOIC (D)   16             | 2500   LARGE T&R      | Yes         | NIPDAU                               | Level-1-260C-UNLIM                | 0 to 70      | TRSF3232EC          |
| <a href="#">TRSF3232ECDWR</a>  | Obsolete      | Production           | SOIC (DW)   16            | -                     | -           | Call TI                              | Call TI                           | 0 to 70      | TRSF3232EC          |
| <a href="#">TRSF3232ECPWR</a>  | Active        | Production           | TSSOP (PW)   16           | 2000   LARGE T&R      | Yes         | NIPDAU   SN                          | Level-1-260C-UNLIM                | 0 to 70      | RT32EC              |
| TRSF3232ECPWR.A                | Active        | Production           | TSSOP (PW)   16           | 2000   LARGE T&R      | Yes         | NIPDAU                               | Level-1-260C-UNLIM                | 0 to 70      | RT32EC              |
| TRSF3232EID                    | Obsolete      | Production           | SOIC (D)   16             | -                     | -           | Call TI                              | Call TI                           | -40 to 85    | TRSF3232EI          |
| <a href="#">TRSF3232EIDBR</a>  | Active        | Production           | SSOP (DB)   16            | 2000   LARGE T&R      | Yes         | NIPDAU                               | Level-1-260C-UNLIM                | -40 to 85    | RT32EI              |
| TRSF3232EIDBR.A                | Active        | Production           | SSOP (DB)   16            | 2000   LARGE T&R      | Yes         | NIPDAU                               | Level-1-260C-UNLIM                | -40 to 85    | RT32EI              |
| <a href="#">TRSF3232EIDR</a>   | Active        | Production           | SOIC (D)   16             | 2500   LARGE T&R      | Yes         | NIPDAU                               | Level-1-260C-UNLIM                | -40 to 85    | TRSF3232EI          |
| TRSF3232EIDR.A                 | Active        | Production           | SOIC (D)   16             | 2500   LARGE T&R      | Yes         | NIPDAU                               | Level-1-260C-UNLIM                | -40 to 85    | TRSF3232EI          |
| TRSF3232EIDRG4                 | Active        | Production           | SOIC (D)   16             | 2500   LARGE T&R      | Yes         | NIPDAU                               | Level-1-260C-UNLIM                | -40 to 85    | TRSF3232EI          |
| TRSF3232EIDRG4.A               | Active        | Production           | SOIC (D)   16             | 2500   LARGE T&R      | Yes         | NIPDAU                               | Level-1-260C-UNLIM                | -40 to 85    | TRSF3232EI          |
| <a href="#">TRSF3232EIDW</a>   | Active        | Production           | SOIC (DW)   16            | 40   TUBE             | Yes         | NIPDAU                               | Level-1-260C-UNLIM                | -40 to 85    | TRSF3232EI          |
| TRSF3232EIDW.A                 | Active        | Production           | SOIC (DW)   16            | 40   TUBE             | Yes         | NIPDAU                               | Level-1-260C-UNLIM                | -40 to 85    | TRSF3232EI          |
| <a href="#">TRSF3232EIDWR</a>  | Active        | Production           | SOIC (DW)   16            | 2000   LARGE T&R      | Yes         | NIPDAU                               | Level-1-260C-UNLIM                | -40 to 85    | TRSF3232EI          |
| TRSF3232EIDWR.A                | Active        | Production           | SOIC (DW)   16            | 2000   LARGE T&R      | Yes         | NIPDAU                               | Level-1-260C-UNLIM                | -40 to 85    | TRSF3232EI          |
| <a href="#">TRSF3232EIDYYR</a> | Active        | Production           | SOT-23-THIN<br>(DYY)   16 | 3000   LARGE T&R      | Yes         | NIPDAU                               | Level-1-260C-UNLIM                | -40 to 85    | RT32EI              |
| TRSF3232EIDYYR.A               | Active        | Production           | SOT-23-THIN<br>(DYY)   16 | 3000   LARGE T&R      | Yes         | NIPDAU                               | Level-1-260C-UNLIM                | -40 to 85    | RT32EI              |
| <a href="#">TRSF3232EIPWR</a>  | Active        | Production           | TSSOP (PW)   16           | 2000   LARGE T&R      | Yes         | NIPDAU   SN                          | Level-1-260C-UNLIM                | -40 to 85    | RT32EI              |
| TRSF3232EIPWR.A                | Active        | Production           | TSSOP (PW)   16           | 2000   LARGE T&R      | Yes         | NIPDAU                               | Level-1-260C-UNLIM                | -40 to 85    | RT32EI              |
| TRSF3232EIPWRG4                | Active        | Production           | TSSOP (PW)   16           | 2000   LARGE T&R      | Yes         | NIPDAU                               | Level-1-260C-UNLIM                | -40 to 85    | RT32EI              |
| TRSF3232EIPWRG4.A              | Active        | Production           | TSSOP (PW)   16           | 2000   LARGE T&R      | Yes         | NIPDAU                               | Level-1-260C-UNLIM                | -40 to 85    | RT32EI              |
| <a href="#">TRSF3232EIRGTR</a> | Active        | Production           | VQFN (RGT)   16           | 3000   LARGE T&R      | Yes         | NIPDAU                               | Level-1-260C-UNLIM                | -40 to 85    | F3232               |
| TRSF3232EIRGTR.A               | Active        | Production           | VQFN (RGT)   16           | 3000   LARGE T&R      | Yes         | NIPDAU                               | Level-1-260C-UNLIM                | -40 to 85    | F3232               |

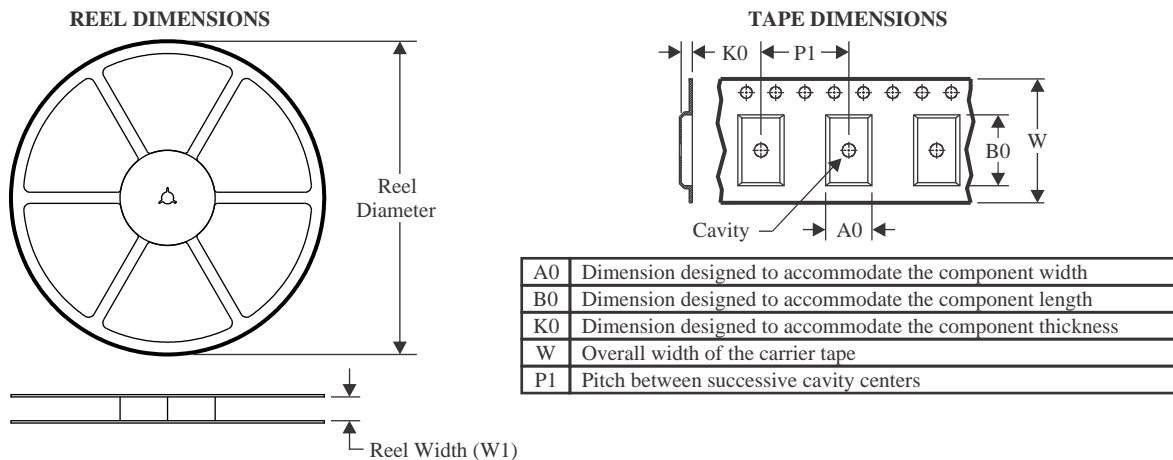
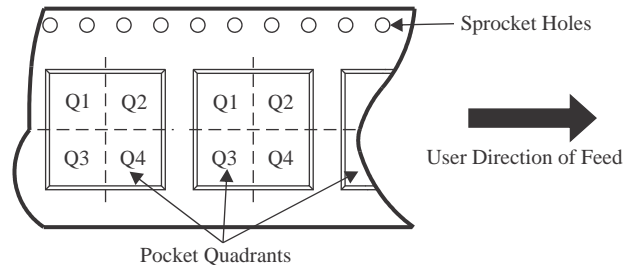
(1) **Status:** For more details on status, see our [product life cycle](#).

- (2) **Material type:** When designated, preproduction parts are prototypes/experimental devices, and are not yet approved or released for full production. Testing and final process, including without limitation quality assurance, reliability performance testing, and/or process qualification, may not yet be complete, and this item is subject to further changes or possible discontinuation. If available for ordering, purchases will be subject to an additional waiver at checkout, and are intended for early internal evaluation purposes only. These items are sold without warranties of any kind.
- (3) **RoHS values:** Yes, No, RoHS Exempt. See the [TI RoHS Statement](#) for additional information and value definition.
- (4) **Lead finish/Ball material:** Parts may have multiple material finish options. Finish options are separated by a vertical ruled line. Lead finish/Ball material values may wrap to two lines if the finish value exceeds the maximum column width.
- (5) **MSL rating/Peak reflow:** The moisture sensitivity level ratings and peak solder (reflow) temperatures. In the event that a part has multiple moisture sensitivity ratings, only the lowest level per JEDEC standards is shown. Refer to the shipping label for the actual reflow temperature that will be used to mount the part to the printed circuit board.
- (6) **Part marking:** There may be an additional marking, which relates to the logo, the lot trace code information, or the environmental category of the part.

Multiple part markings will be inside parentheses. Only one part marking contained in parentheses and separated by a "~" will appear on a part. If a line is indented then it is a continuation of the previous line and the two combined represent the entire part marking for that device.

**Important Information and Disclaimer:** The information provided on this page represents TI's knowledge and belief as of the date that it is provided. TI bases its knowledge and belief on information provided by third parties, and makes no representation or warranty as to the accuracy of such information. Efforts are underway to better integrate information from third parties. TI has taken and continues to take reasonable steps to provide representative and accurate information but may not have conducted destructive testing or chemical analysis on incoming materials and chemicals. TI and TI suppliers consider certain information to be proprietary, and thus CAS numbers and other limited information may not be available for release.

In no event shall TI's liability arising out of such information exceed the total purchase price of the TI part(s) at issue in this document sold by TI to Customer on an annual basis.

**TAPE AND REEL INFORMATION**

**QUADRANT ASSIGNMENTS FOR PIN 1 ORIENTATION IN TAPE**


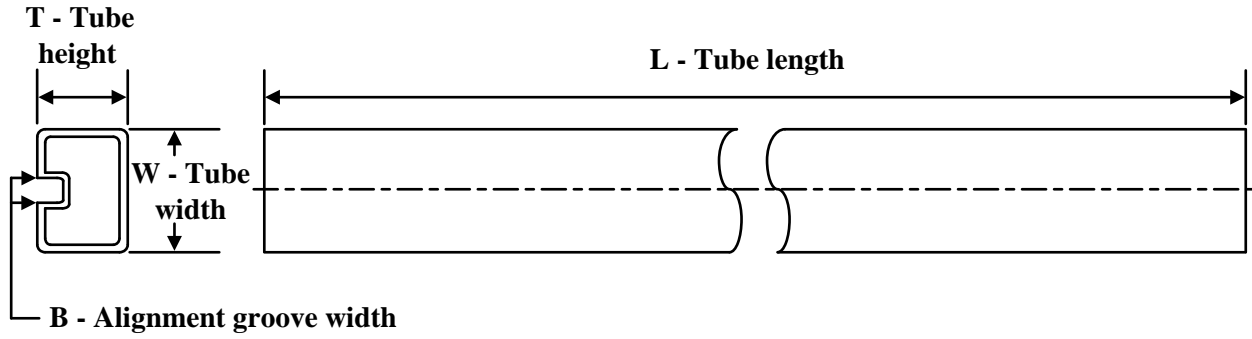
\*All dimensions are nominal

| Device          | Package Type | Package Drawing | Pins | SPQ  | Reel Diameter (mm) | Reel Width W1 (mm) | A0 (mm) | B0 (mm) | K0 (mm) | P1 (mm) | W (mm) | Pin1 Quadrant |
|-----------------|--------------|-----------------|------|------|--------------------|--------------------|---------|---------|---------|---------|--------|---------------|
| TRSF3232ECDBR   | SSOP         | DB              | 16   | 2000 | 330.0              | 16.4               | 8.35    | 6.6     | 2.4     | 12.0    | 16.0   | Q1            |
| TRSF3232ECDR    | SOIC         | D               | 16   | 2500 | 330.0              | 16.4               | 6.5     | 10.3    | 2.1     | 8.0     | 16.0   | Q1            |
| TRSF3232ECPWR   | TSSOP        | PW              | 16   | 2000 | 330.0              | 12.4               | 6.9     | 5.6     | 1.6     | 8.0     | 12.0   | Q1            |
| TRSF3232EIDBR   | SSOP         | DB              | 16   | 2000 | 330.0              | 16.4               | 8.35    | 6.6     | 2.4     | 12.0    | 16.0   | Q1            |
| TRSF3232EIDR    | SOIC         | D               | 16   | 2500 | 330.0              | 16.4               | 6.5     | 10.3    | 2.1     | 8.0     | 16.0   | Q1            |
| TRSF3232EIDRG4  | SOIC         | D               | 16   | 2500 | 330.0              | 16.4               | 6.5     | 10.3    | 2.1     | 8.0     | 16.0   | Q1            |
| TRSF3232EIDWR   | SOIC         | DW              | 16   | 2000 | 330.0              | 16.4               | 10.75   | 10.7    | 2.7     | 12.0    | 16.0   | Q1            |
| TRSF3232EIDYYR  | SOT-23-THIN  | DYY             | 16   | 3000 | 330.0              | 12.4               | 4.8     | 3.6     | 1.6     | 8.0     | 12.0   | Q3            |
| TRSF3232EIPWR   | TSSOP        | PW              | 16   | 2000 | 330.0              | 12.4               | 6.9     | 5.6     | 1.6     | 8.0     | 12.0   | Q1            |
| TRSF3232EIPWRG4 | TSSOP        | PW              | 16   | 2000 | 330.0              | 12.4               | 6.9     | 5.6     | 1.6     | 8.0     | 12.0   | Q1            |
| TRSF3232EIRGTR  | VQFN         | RGT             | 16   | 3000 | 330.0              | 12.4               | 3.3     | 3.3     | 1.1     | 8.0     | 12.0   | Q2            |

**TAPE AND REEL BOX DIMENSIONS**


\*All dimensions are nominal

| Device          | Package Type | Package Drawing | Pins | SPQ  | Length (mm) | Width (mm) | Height (mm) |
|-----------------|--------------|-----------------|------|------|-------------|------------|-------------|
| TRSF3232ECDBR   | SSOP         | DB              | 16   | 2000 | 353.0       | 353.0      | 32.0        |
| TRSF3232ECDR    | SOIC         | D               | 16   | 2500 | 353.0       | 353.0      | 32.0        |
| TRSF3232ECPWR   | TSSOP        | PW              | 16   | 2000 | 356.0       | 356.0      | 35.0        |
| TRSF3232EIDBR   | SSOP         | DB              | 16   | 2000 | 353.0       | 353.0      | 32.0        |
| TRSF3232EIDR    | SOIC         | D               | 16   | 2500 | 353.0       | 353.0      | 32.0        |
| TRSF3232EIDRG4  | SOIC         | D               | 16   | 2500 | 353.0       | 353.0      | 32.0        |
| TRSF3232EIDWR   | SOIC         | DW              | 16   | 2000 | 350.0       | 350.0      | 43.0        |
| TRSF3232EIDYYR  | SOT-23-THIN  | DYY             | 16   | 3000 | 336.6       | 336.6      | 31.8        |
| TRSF3232EIPWR   | TSSOP        | PW              | 16   | 2000 | 356.0       | 356.0      | 35.0        |
| TRSF3232EIPWRG4 | TSSOP        | PW              | 16   | 2000 | 353.0       | 353.0      | 32.0        |
| TRSF3232EIRGTR  | VQFN         | RGT             | 16   | 3000 | 367.0       | 367.0      | 35.0        |

**TUBE**


\*All dimensions are nominal

| Device         | Package Name | Package Type | Pins | SPQ | L (mm) | W (mm) | T (μm) | B (mm) |
|----------------|--------------|--------------|------|-----|--------|--------|--------|--------|
| TRSF3232EIDW   | DW           | SOIC         | 16   | 40  | 506.98 | 12.7   | 4826   | 6.6    |
| TRSF3232EIDW.A | DW           | SOIC         | 16   | 40  | 506.98 | 12.7   | 4826   | 6.6    |

D (R-PDSO-G16)

PLASTIC SMALL OUTLINE



- NOTES:
- A. All linear dimensions are in inches (millimeters).
  - B. This drawing is subject to change without notice.
  - C. Body length does not include mold flash, protrusions, or gate burrs. Mold flash, protrusions, or gate burrs shall not exceed 0.006 (0,15) each side.
  - D. Body width does not include interlead flash. Interlead flash shall not exceed 0.017 (0,43) each side.
  - E. Reference JEDEC MS-012 variation AC.

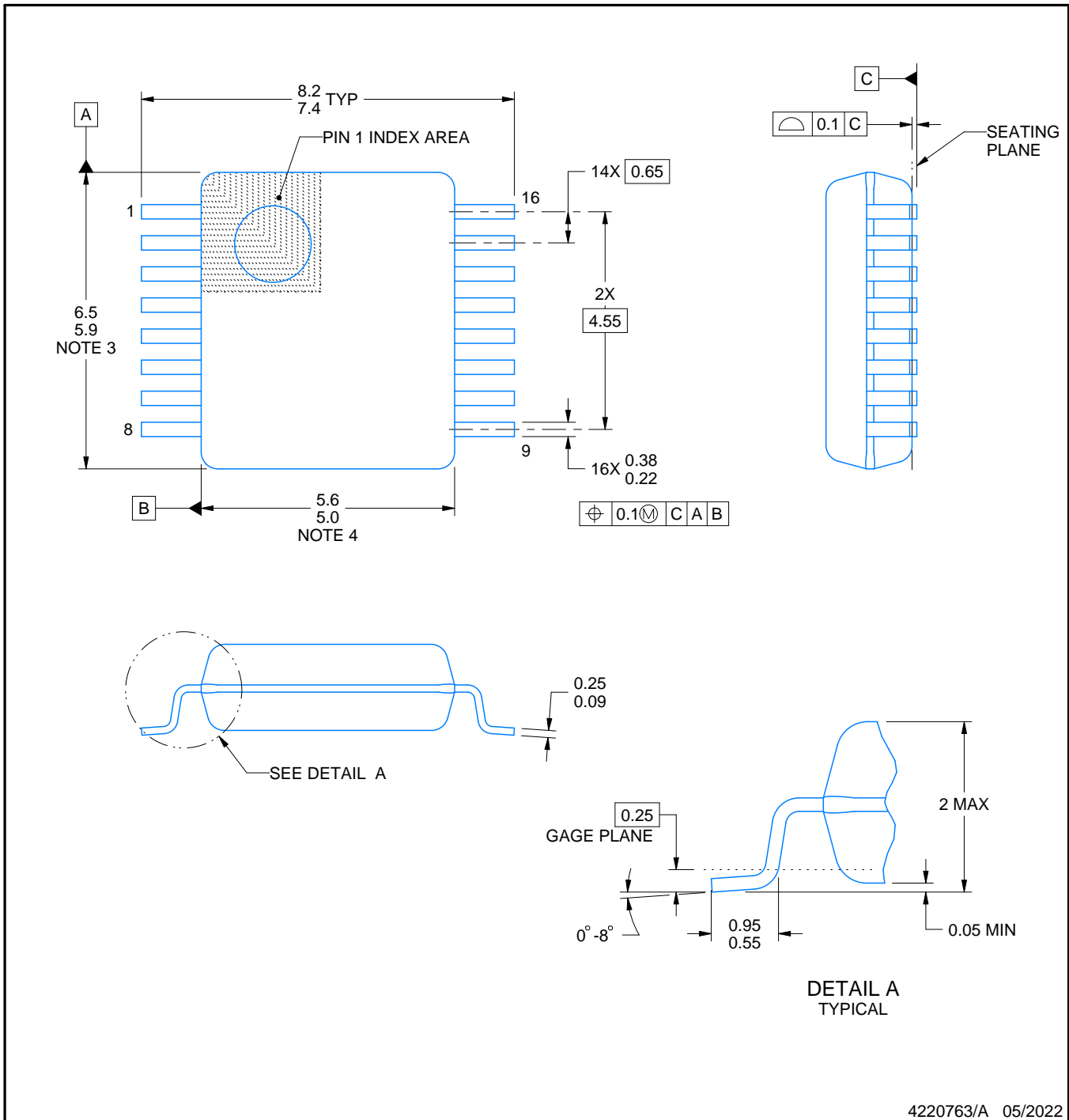
# DB0016A



# PACKAGE OUTLINE

## SSOP - 2 mm max height

SMALL OUTLINE PACKAGE



4220763/A 05/2022

### NOTES:

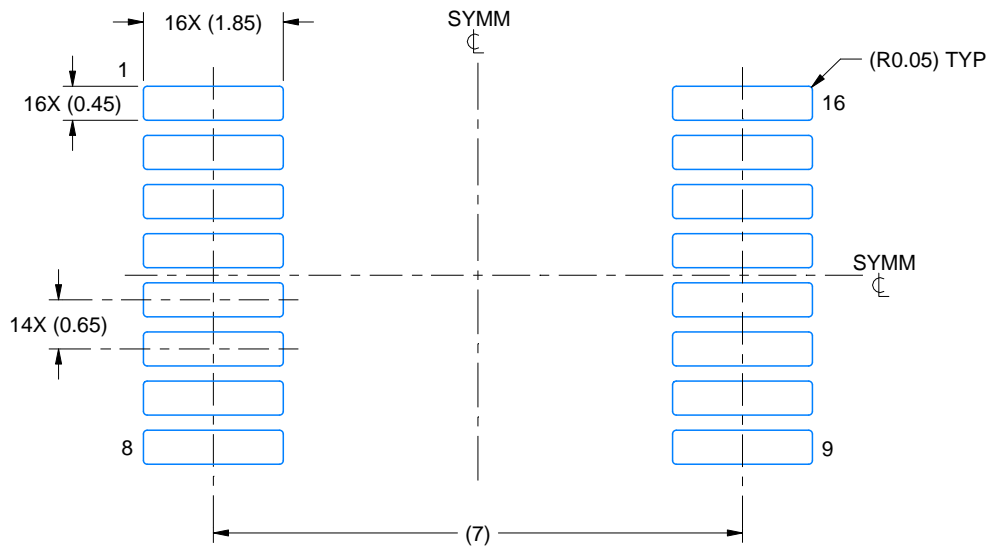
1. All linear dimensions are in millimeters. Any dimensions in parenthesis are for reference only. Dimensioning and tolerancing per ASME Y14.5M.
2. This drawing is subject to change without notice.
3. This dimension does not include mold flash, protrusions, or gate burrs. Mold flash, protrusions, or gate burrs shall not exceed 0.15 mm per side.
4. Reference JEDEC registration MO-150.

# EXAMPLE BOARD LAYOUT

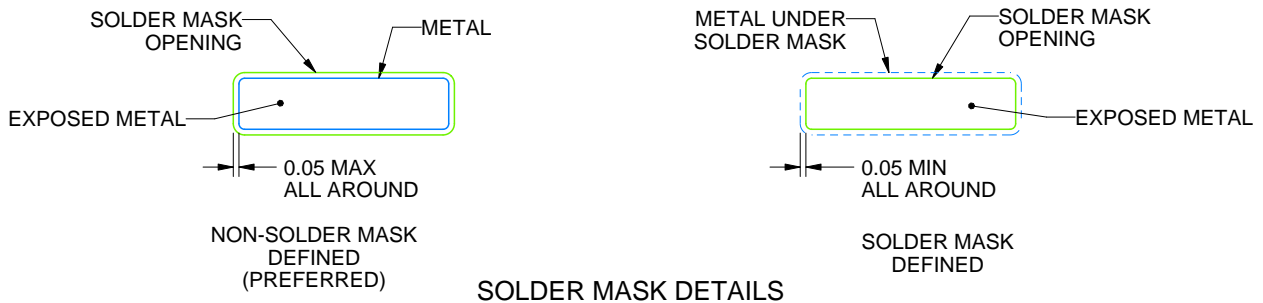
DB0016A

SSOP - 2 mm max height

SMALL OUTLINE PACKAGE



LAND PATTERN EXAMPLE  
EXPOSED METAL SHOWN  
SCALE: 10X



4220763/A 05/2022

NOTES: (continued)

- Publication IPC-7351 may have alternate designs.
- Solder mask tolerances between and around signal pads can vary based on board fabrication site.

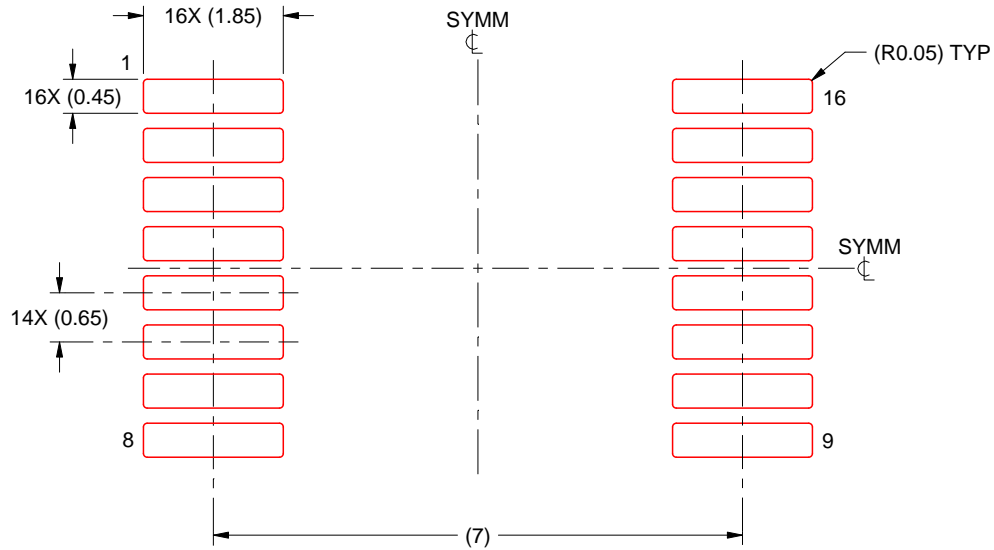


# EXAMPLE STENCIL DESIGN

DB0016A

SSOP - 2 mm max height

SMALL OUTLINE PACKAGE

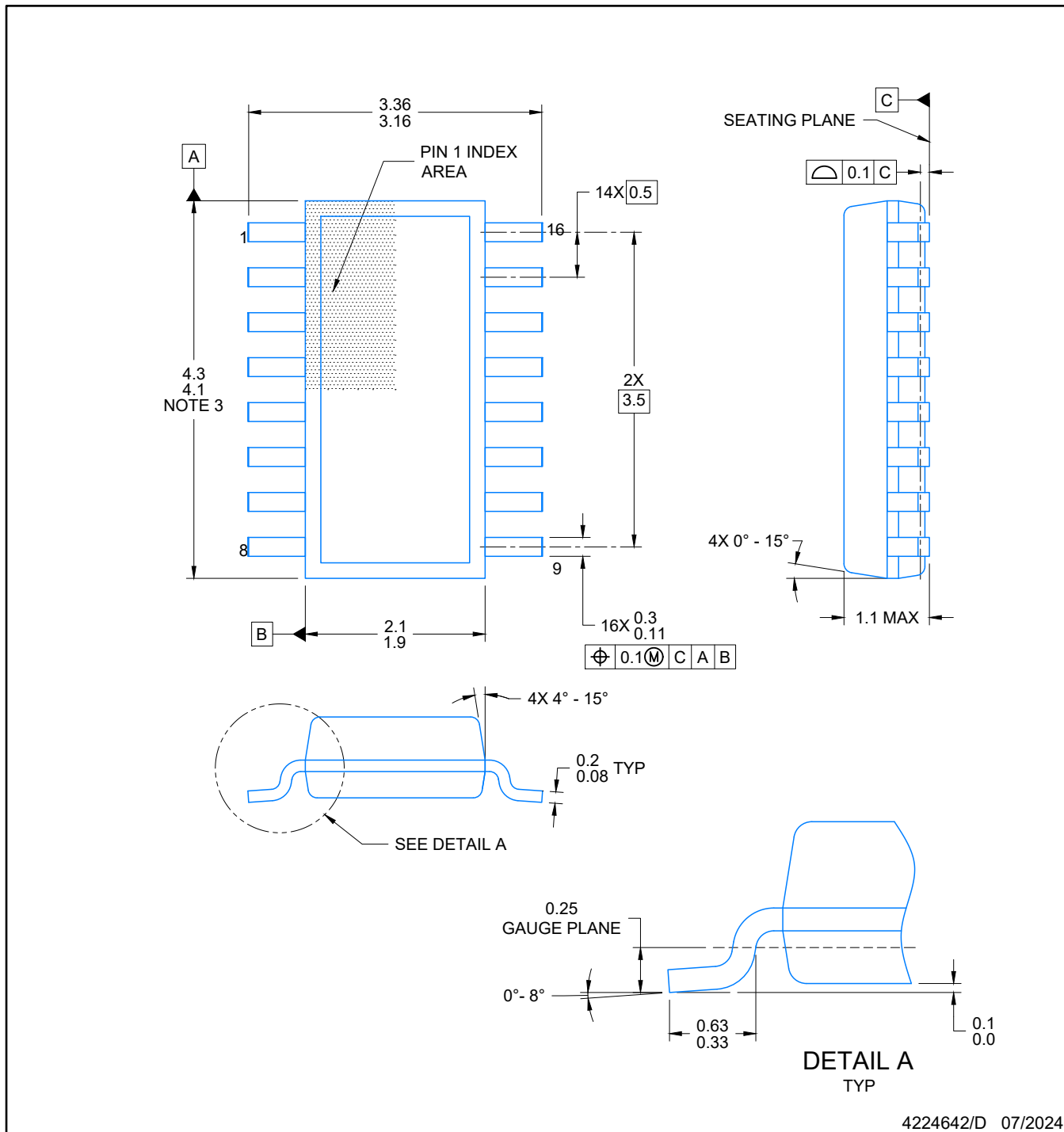


SOLDER PASTE EXAMPLE  
BASED ON 0.125 mm THICK STENCIL  
SCALE: 10X

4220763/A 05/2022

NOTES: (continued)

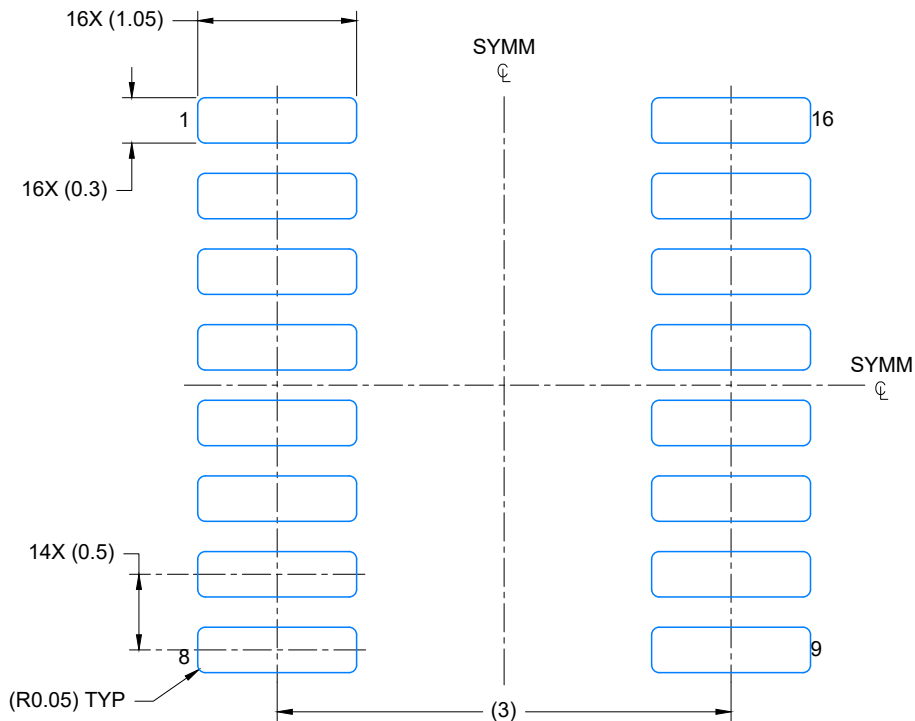
7. Laser cutting apertures with trapezoidal walls and rounded corners may offer better paste release. IPC-7525 may have alternate design recommendations.
8. Board assembly site may have different recommendations for stencil design.



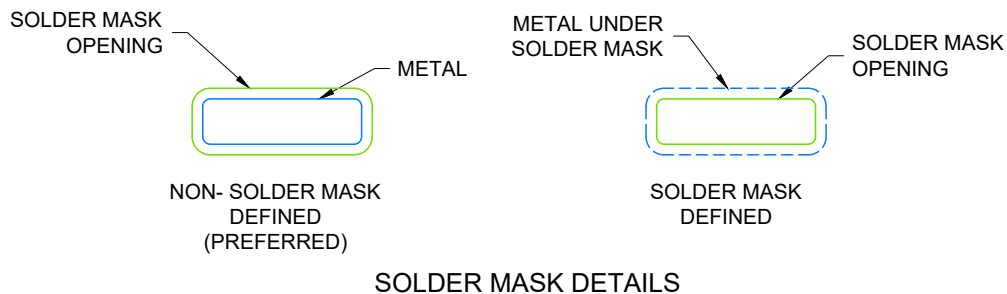
4224642/D 07/2024

NOTES:

1. All linear dimensions are in millimeters. Any dimensions in parenthesis are for reference only. Dimensioning and tolerancing per ASME Y14.5M.
2. This drawing is subject to change without notice.
3. This dimension does not include mold flash, protrusions, or gate burrs. Mold flash, protrusions, or gate burrs shall not exceed 0.15 per side.
4. This dimension does not include interlead flash. Interlead flash shall not exceed 0.50 per side.
5. Reference JEDEC Registration MO-345, Variation AA



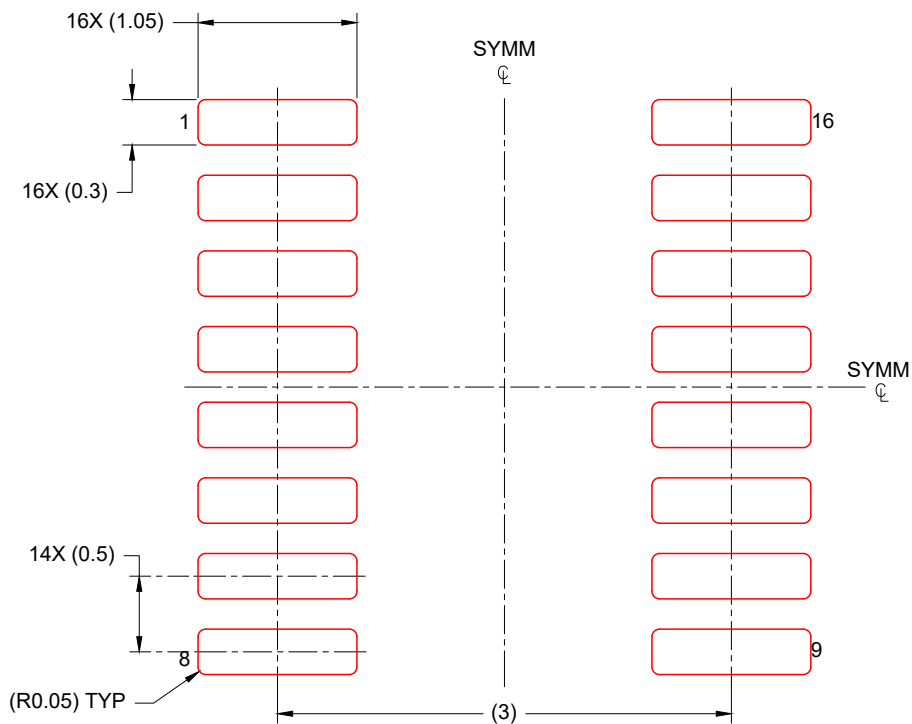
LAND PATTERN EXAMPLE  
EXPOSED METAL SHOWN  
SCALE: 20X



4224642/D 07/2024

NOTES: (continued)

- 6. Publication IPC-7351 may have alternate designs.
- 7. Solder mask tolerances between and around signal pads can vary based on board fabrication site.



SOLDER PASTE EXAMPLE  
BASED ON 0.125 mm THICK STENCIL  
SCALE: 20X

4224642/D 07/2024

NOTES: (continued)

- 8. Laser cutting apertures with trapezoidal walls and rounded corners may offer better paste release. IPC-7525 may have alternate design recommendations.
- 9. Board assembly site may have different recommendations for stencil design.

## GENERIC PACKAGE VIEW

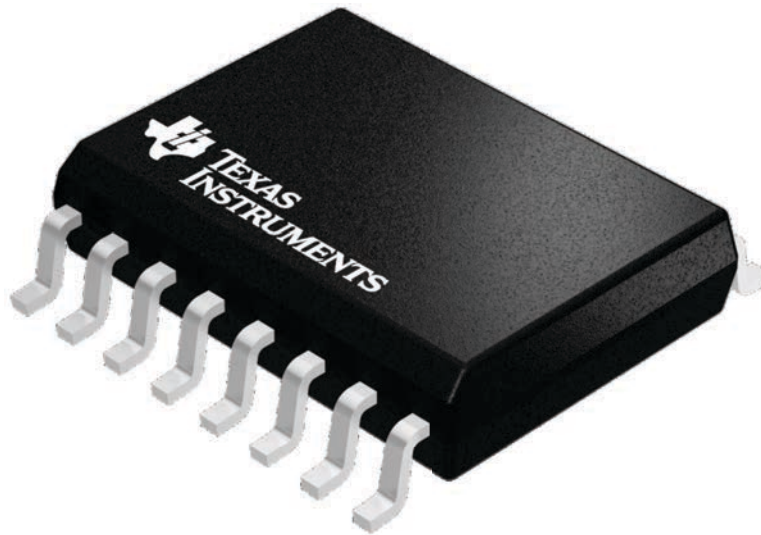
**DW 16**

**SOIC - 2.65 mm max height**

7.5 x 10.3, 1.27 mm pitch

SMALL OUTLINE INTEGRATED CIRCUIT

This image is a representation of the package family, actual package may vary.  
Refer to the product data sheet for package details.



4224780/A

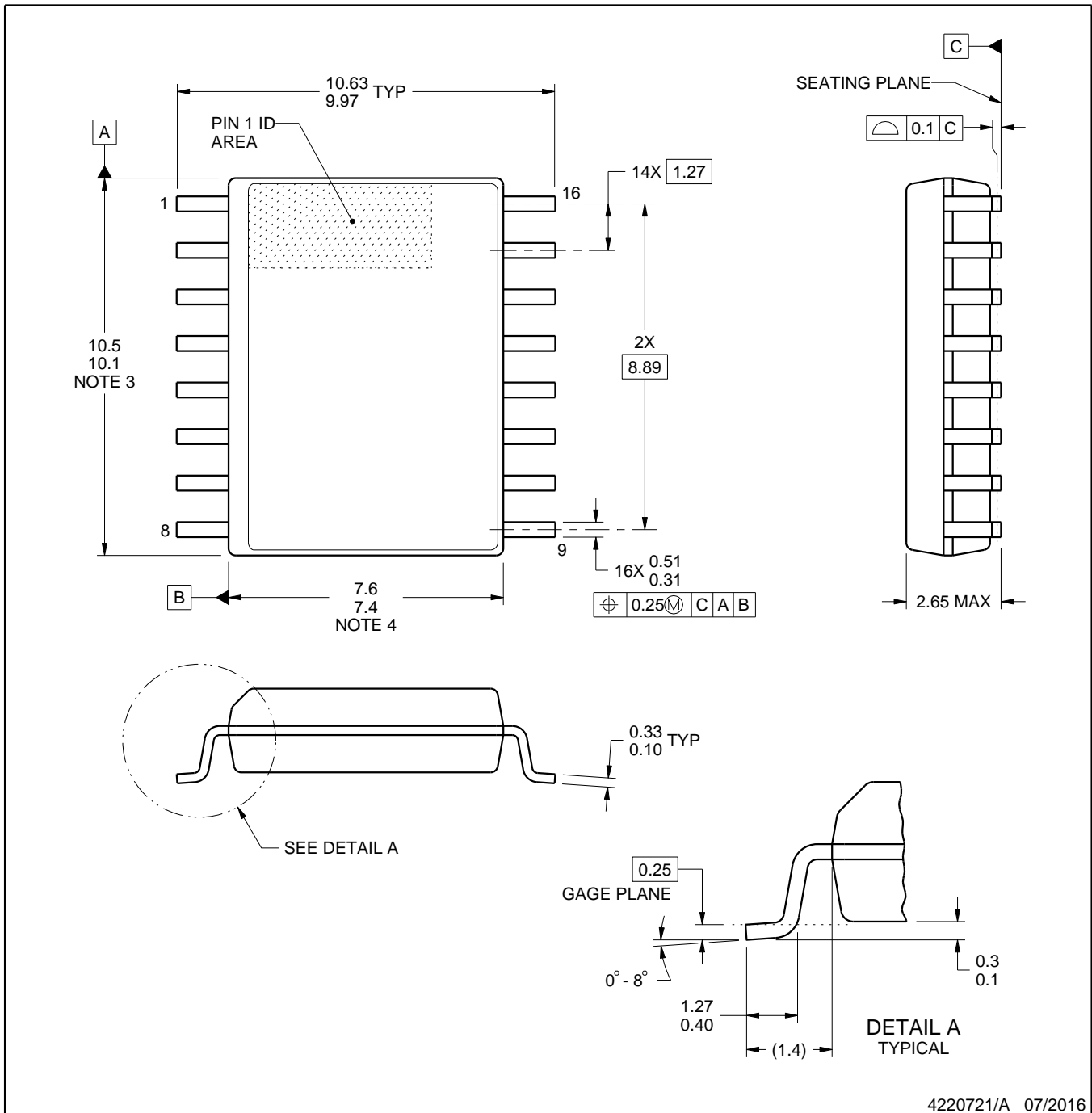


DW0016A

# PACKAGE OUTLINE

SOIC - 2.65 mm max height

SOIC



NOTES:

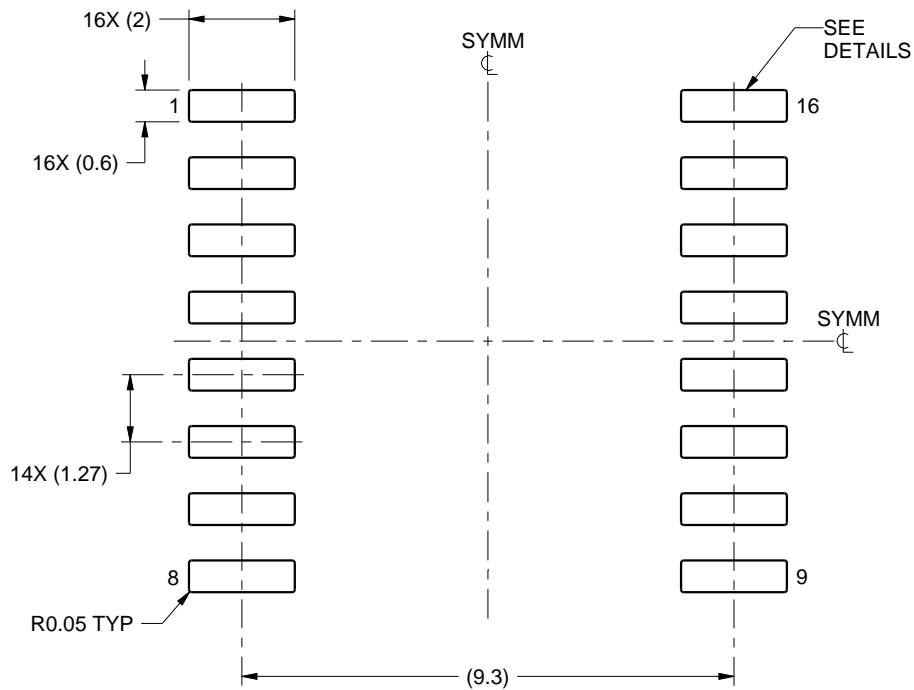
1. All linear dimensions are in millimeters. Dimensions in parenthesis are for reference only. Dimensioning and tolerancing per ASME Y14.5M.
2. This drawing is subject to change without notice.
3. This dimension does not include mold flash, protrusions, or gate burrs. Mold flash, protrusions, or gate burrs shall not exceed 0.15 mm, per side.
4. This dimension does not include interlead flash. Interlead flash shall not exceed 0.25 mm, per side.
5. Reference JEDEC registration MS-013.

# EXAMPLE BOARD LAYOUT

DW0016A

SOIC - 2.65 mm max height

SOIC



LAND PATTERN EXAMPLE  
SCALE:7X



SOLDER MASK DETAILS

4220721/A 07/2016

NOTES: (continued)

6. Publication IPC-7351 may have alternate designs.

7. Solder mask tolerances between and around signal pads can vary based on board fabrication site.

# EXAMPLE STENCIL DESIGN

DW0016A

SOIC - 2.65 mm max height

SOIC



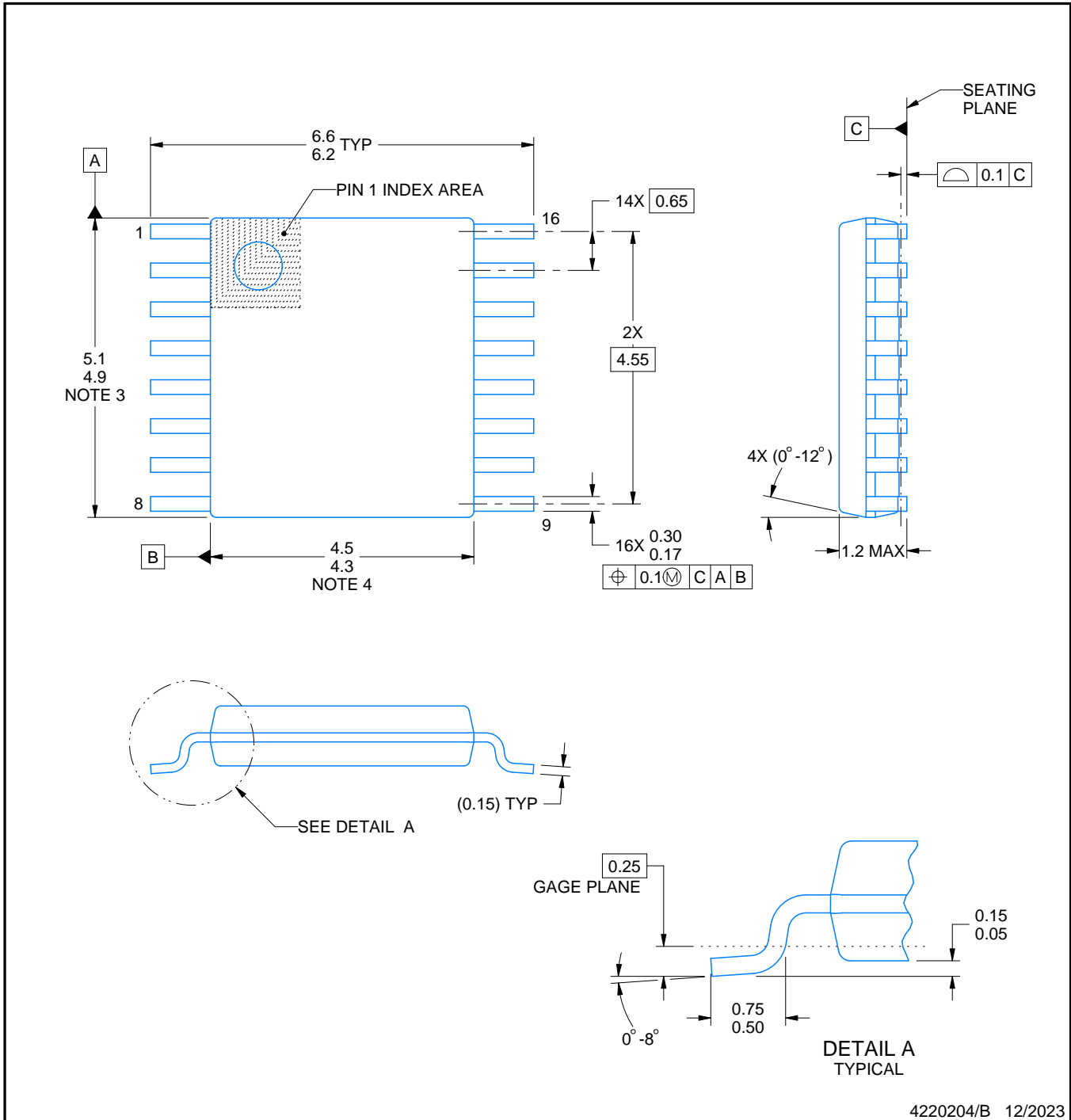
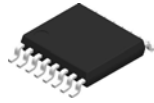
SOLDER PASTE EXAMPLE  
BASED ON 0.125 mm THICK STENCIL  
SCALE:7X

4220721/A 07/2016

NOTES: (continued)

8. Laser cutting apertures with trapezoidal walls and rounded corners may offer better paste release. IPC-7525 may have alternate design recommendations.
9. Board assembly site may have different recommendations for stencil design.





4220204/B 12/2023

NOTES:

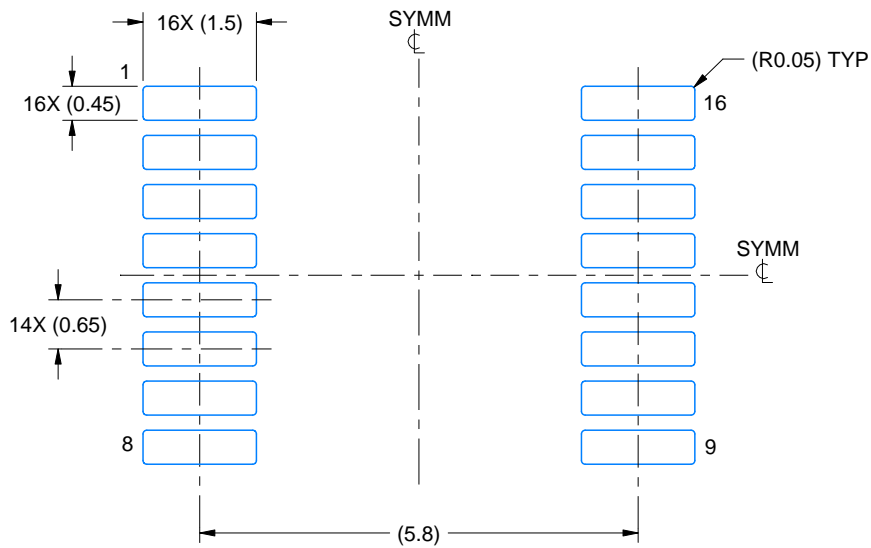
1. All linear dimensions are in millimeters. Any dimensions in parenthesis are for reference only. Dimensioning and tolerancing per ASME Y14.5M.
2. This drawing is subject to change without notice.
3. This dimension does not include mold flash, protrusions, or gate burrs. Mold flash, protrusions, or gate burrs shall not exceed 0.15 mm per side.
4. This dimension does not include interlead flash. Interlead flash shall not exceed 0.25 mm per side.
5. Reference JEDEC registration MO-153.

# EXAMPLE BOARD LAYOUT

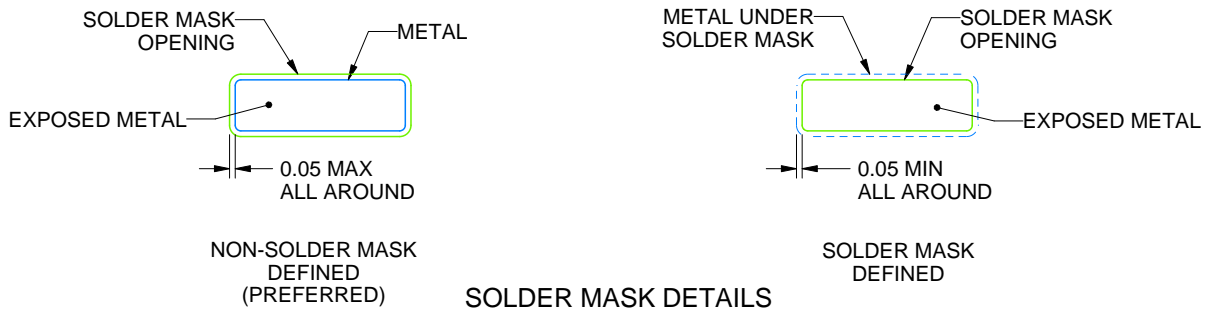
PW0016A

TSSOP - 1.2 mm max height

SMALL OUTLINE PACKAGE



LAND PATTERN EXAMPLE  
EXPOSED METAL SHOWN  
SCALE: 10X



SOLDER MASK DETAILS

4220204/B 12/2023

NOTES: (continued)

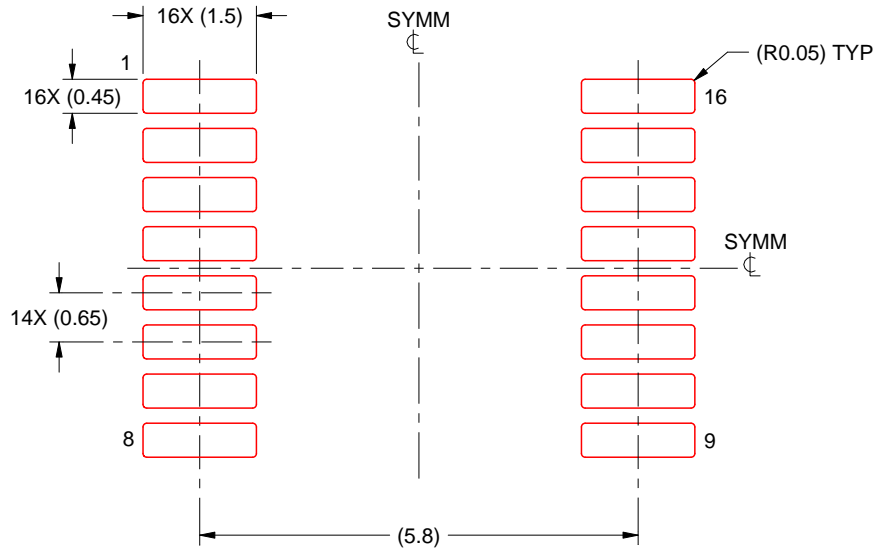
- 6. Publication IPC-7351 may have alternate designs.
- 7. Solder mask tolerances between and around signal pads can vary based on board fabrication site.

# EXAMPLE STENCIL DESIGN

PW0016A

TSSOP - 1.2 mm max height

SMALL OUTLINE PACKAGE



SOLDER PASTE EXAMPLE  
BASED ON 0.125 mm THICK STENCIL  
SCALE: 10X

4220204/B 12/2023

NOTES: (continued)

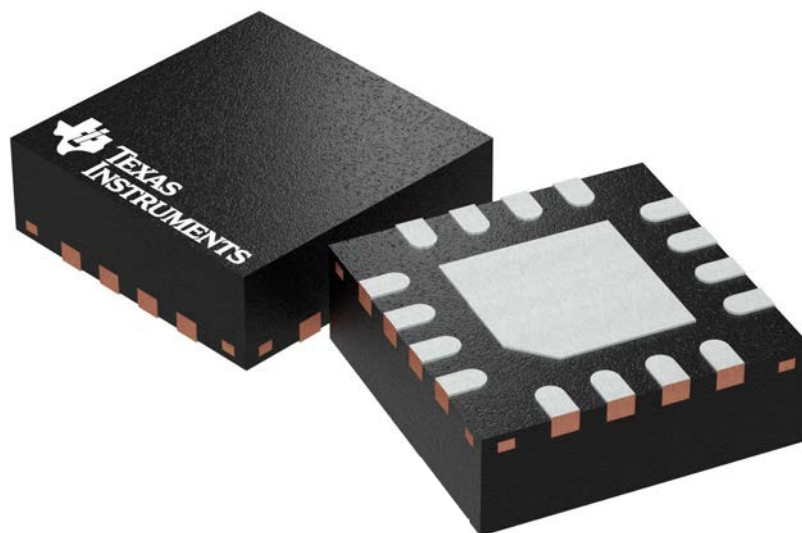
8. Laser cutting apertures with trapezoidal walls and rounded corners may offer better paste release. IPC-7525 may have alternate design recommendations.
9. Board assembly site may have different recommendations for stencil design.

**RGT 16**

**GENERIC PACKAGE VIEW**

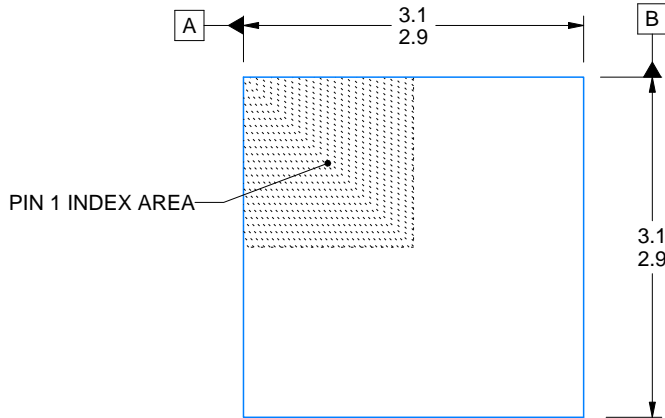
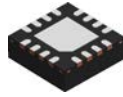
**VQFN - 1 mm max height**

PLASTIC QUAD FLATPACK - NO LEAD

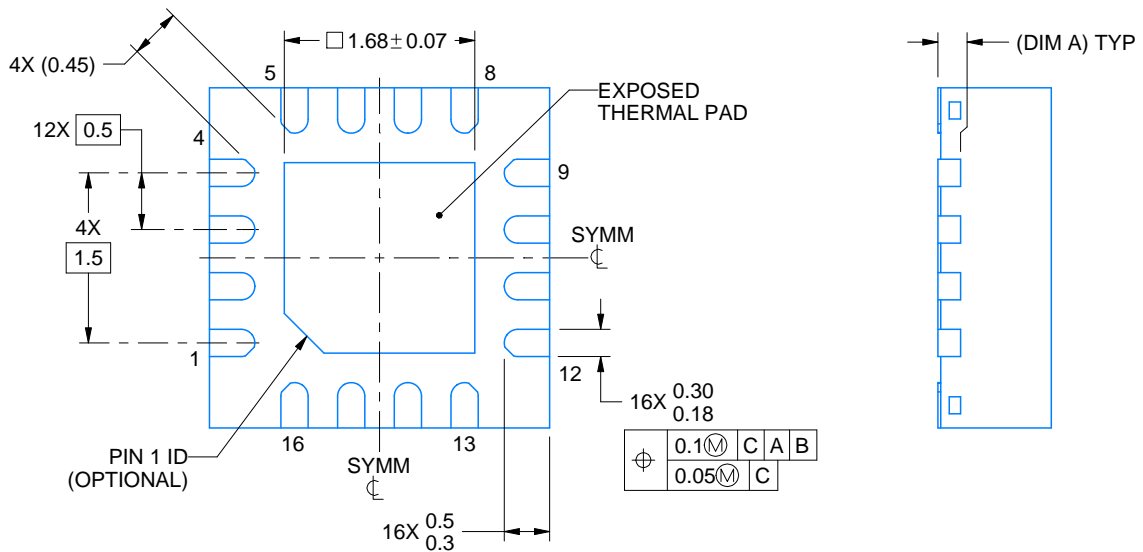
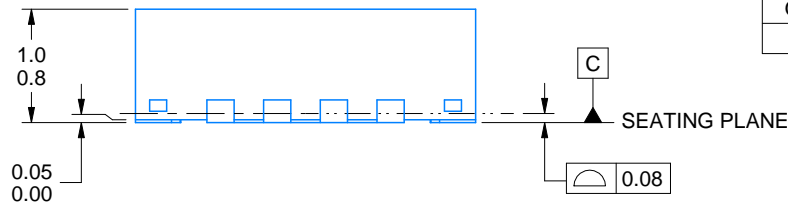


Images above are just a representation of the package family, actual package may vary.  
Refer to the product data sheet for package details.

4203495/1



| SIDE WALL METAL THICKNESS DIM A |          |
|---------------------------------|----------|
| OPTION 1                        | OPTION 2 |
| 0.1                             | 0.2      |



4222419/E 07/2025

NOTES:

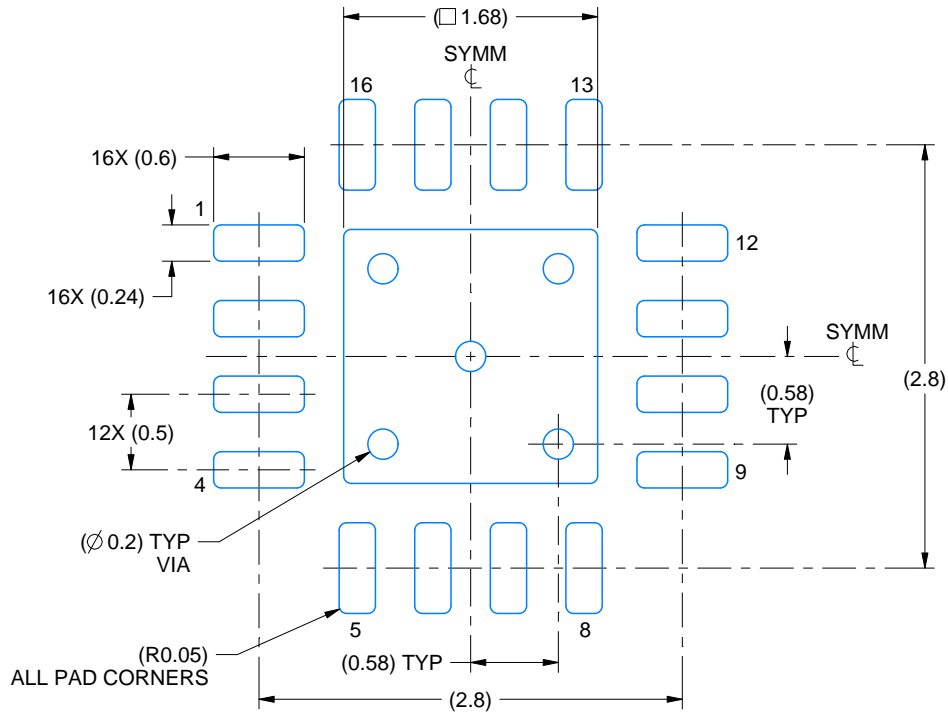
1. All linear dimensions are in millimeters. Any dimensions in parenthesis are for reference only. Dimensioning and tolerancing per ASME Y14.5M.
2. This drawing is subject to change without notice.
3. The package thermal pad must be soldered to the printed circuit board for thermal and mechanical performance.

# EXAMPLE BOARD LAYOUT

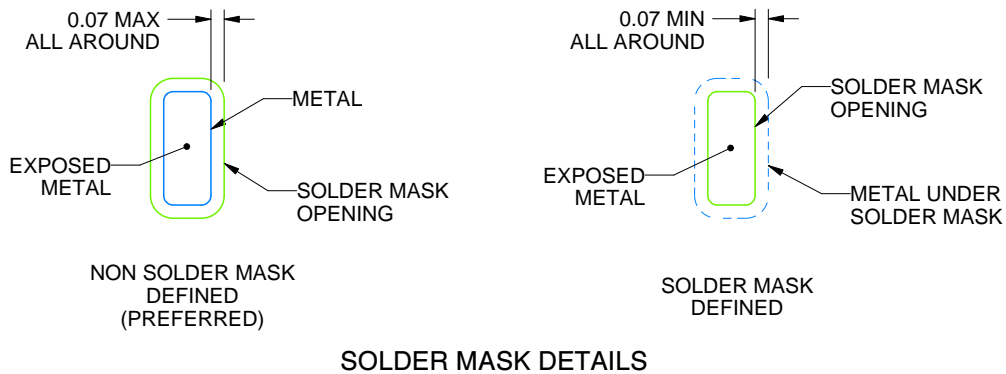
RGT0016C

VQFN - 1 mm max height

PLASTIC QUAD FLATPACK - NO LEAD



LAND PATTERN EXAMPLE  
EXPOSED METAL SHOWN  
SCALE:20X



SOLDER MASK DETAILS

4222419/E 07/2025

NOTES: (continued)

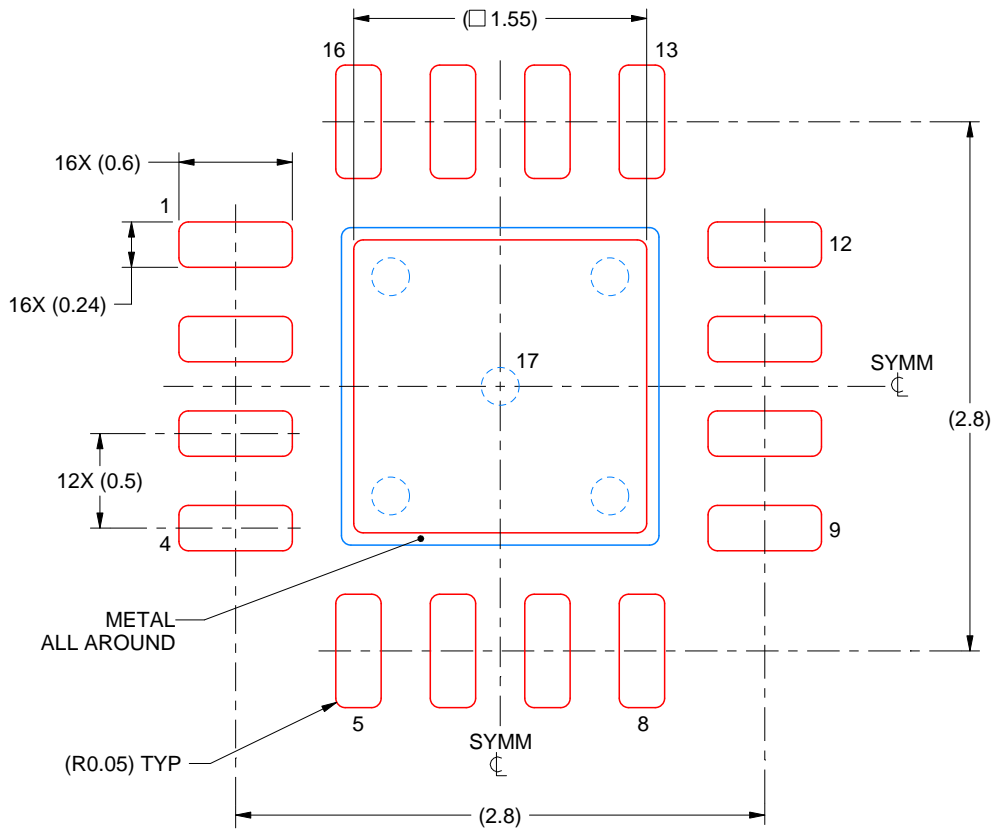
- This package is designed to be soldered to a thermal pad on the board. For more information, see Texas Instruments literature number SLUA271 ([www.ti.com/lit/slua271](http://www.ti.com/lit/slua271)).
- Vias are optional depending on application, refer to device data sheet. If any vias are implemented, refer to their locations shown on this view. It is recommended that vias under paste be filled, plugged or tented.

# EXAMPLE STENCIL DESIGN

RGT0016C

VQFN - 1 mm max height

PLASTIC QUAD FLATPACK - NO LEAD



**SOLDER PASTE EXAMPLE**  
BASED ON 0.125 mm THICK STENCIL

EXPOSED PAD 17:  
85% PRINTED SOLDER COVERAGE BY AREA UNDER PACKAGE  
SCALE:25X

4222419/E 07/2025

NOTES: (continued)

6. Laser cutting apertures with trapezoidal walls and rounded corners may offer better paste release. IPC-7525 may have alternate design recommendations.

## IMPORTANT NOTICE AND DISCLAIMER

TI PROVIDES TECHNICAL AND RELIABILITY DATA (INCLUDING DATASHEETS), DESIGN RESOURCES (INCLUDING REFERENCE DESIGNS), APPLICATION OR OTHER DESIGN ADVICE, WEB TOOLS, SAFETY INFORMATION, AND OTHER RESOURCES "AS IS" AND WITH ALL FAULTS, AND DISCLAIMS ALL WARRANTIES, EXPRESS AND IMPLIED, INCLUDING WITHOUT LIMITATION ANY IMPLIED WARRANTIES OF MERCHANTABILITY, FITNESS FOR A PARTICULAR PURPOSE OR NON-INFRINGEMENT OF THIRD PARTY INTELLECTUAL PROPERTY RIGHTS.

These resources are intended for skilled developers designing with TI products. You are solely responsible for (1) selecting the appropriate TI products for your application, (2) designing, validating and testing your application, and (3) ensuring your application meets applicable standards, and any other safety, security, regulatory or other requirements.

These resources are subject to change without notice. TI grants you permission to use these resources only for development of an application that uses the TI products described in the resource. Other reproduction and display of these resources is prohibited. No license is granted to any other TI intellectual property right or to any third party intellectual property right. TI disclaims responsibility for, and you fully indemnify TI and its representatives against any claims, damages, costs, losses, and liabilities arising out of your use of these resources.

TI's products are provided subject to [TI's Terms of Sale](#), [TI's General Quality Guidelines](#), or other applicable terms available either on [ti.com](#) or provided in conjunction with such TI products. TI's provision of these resources does not expand or otherwise alter TI's applicable warranties or warranty disclaimers for TI products. Unless TI explicitly designates a product as custom or customer-specified, TI products are standard, catalog, general purpose devices.

TI objects to and rejects any additional or different terms you may propose.

Copyright © 2025, Texas Instruments Incorporated

Last updated 10/2025