

CDx4HC251, CDx4HCT251 High-Speed CMOS Logic 8-Input Multiplexer, Three-State

1 Features

- Selects one of eight binary data inputs
- Three-state output capability
- True and complement outputs
- Typical (data to output) propagation delay of 14 ns at $V_{CC} = 5\text{ V}$, $C_L = 15\text{ pF}$, $T_A = 25\text{ }^\circ\text{C}$
- Fanout (over temperature range)
 - Standard outputs : 10 LSTTL loads
 - Bus driver outputs : 15 LSTTL loads
- Wide operating temperature range : $-55\text{ }^\circ\text{C}$ to $125\text{ }^\circ\text{C}$
- Balanced propagation delay and transition times
- Significant power reduction compared to LSTTL logic ICs
- Alternate source is Philips
- HC types
 - 2 V to 6 V operation
 - High noise immunity : $N_{IL} = 30\%$, $N_{IH} = 30\%$ of V_{CC} at $V_{CC} = 5\text{ V}$
- HCT types
 - 4.5 V to 5.5 V operation
 - Direct LSTTL input logic compatibility, $V_{IL} = 0.8\text{ V (Max)}$, $V_{IH} = 2\text{ V (Min)}$
 - CMOS input compatibility, $I_I \leq 1\text{ }\mu\text{A}$ at V_{OL} , V_{OH}

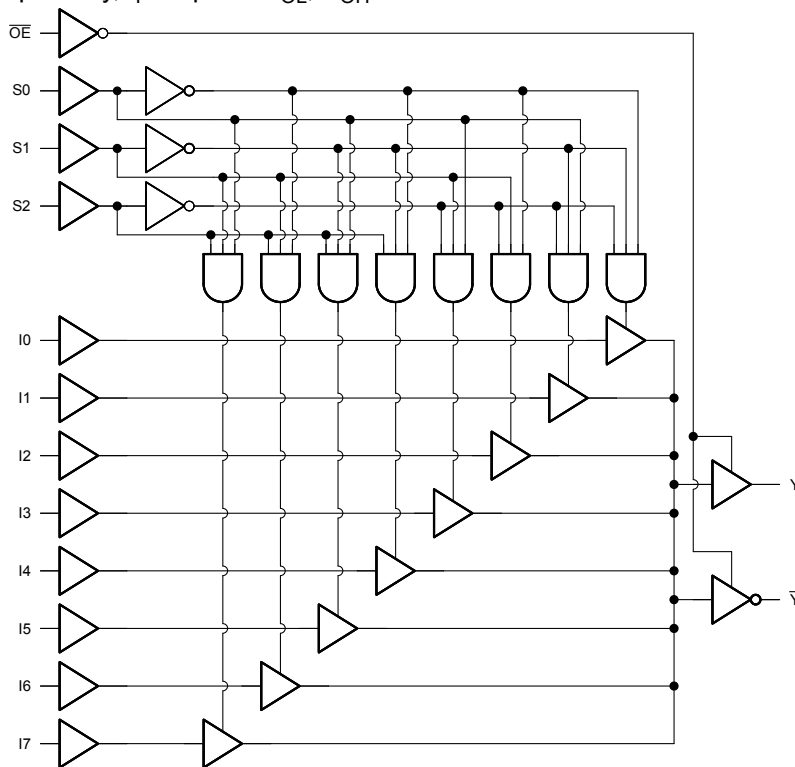
2 Description

The 'HC251 and 'HCT251 are 8-channel digital multiplexers with three-state outputs, fabricated with high-speed silicongate CMOS technology. Together with the low power consumption of standard CMOS integrated circuits, they possess the ability to drive 10 LSTTL loads. The three-state feature makes them ideally suited for interfacing with bus lines in a bus-oriented system.

Device Information

PART NUMBER	PACKAGE ⁽¹⁾	BODY SIZE (NOM)
CD54HC251F	CDIP (16)	24.38 mm × 6.92 mm
CD54HCT251F	CDIP (16)	24.38 mm × 6.92 mm
CD74HC251M	SOIC (16)	9.90 mm × 3.90 mm
CD74HCT251M	SOIC (16)	9.90 mm × 3.90 mm
CD74HC251E	PDIP (16)	19.31 mm × 6.35 mm
CD74HCT251E	PDIP (16)	19.31 mm × 6.35 mm

(1) For all available packages, see the orderable addendum at the end of the data sheet.



Functional Block Diagram



Table of Contents

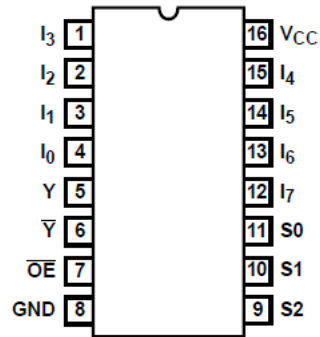
1 Features	1	7.3 Device Functional Modes.....	10
2 Description	1	8 Power Supply Recommendations	11
3 Revision History	2	9 Layout	11
4 Pin Configuration and Functions	3	9.1 Layout Guidelines.....	11
5 Specifications	4	10 Device and Documentation Support	12
5.1 Absolute Maximum Ratings.....	4	10.1 Documentation Support.....	12
5.2 Recommended Operating Conditions ⁽¹⁾	4	10.2 Receiving Notification of Documentation Updates..	12
5.3 Thermal Information.....	4	10.3 Support Resources.....	12
5.4 Electrical Characteristics.....	5	10.4 Trademarks.....	12
5.5 Switching Characteristics.....	6	10.5 Electrostatic Discharge Caution.....	12
6 Parameter Measurement Information	7	10.6 Glossary.....	12
7 Detailed Description	9	11 Mechanical, Packaging, and Orderable Information	12
7.1 Overview.....	9		
7.2 Functional Block Diagram.....	9		

3 Revision History

NOTE: Page numbers for previous revisions may differ from page numbers in the current version.

Changes from Revision C (October 2003) to Revision D (March 2022)	Page
• Updated the numbering, formatting, tables, figures, and cross-references throughout the document to reflect modern data sheet standards.....	1

4 Pin Configuration and Functions



J, N, or D Package
16-Pin CDIP, PDIP, or SOIC
Top View

5 Specifications

5.1 Absolute Maximum Ratings

over operating free-air temperature range (unless otherwise noted)⁽¹⁾

		MIN	MAX	UNIT
V _{CC}	Supply voltage range	-0.5	7	V
I _{IK}	Input diode current ⁽²⁾	V _I < 0.5 V or V _I > V _{CC} + 0.5 V		±20 mA
I _{OK}	Output diode current ⁽²⁾	V _O < -0.5 V or V _O > V _{CC} + 0.5 V		±20 mA
I _O	Drain current, per output	-0.5 V < V _O < V _{CC} + 0.5 V		±25 mA
I _O	Output source or sink current per output pin	V _O > -0.5 V or V _O < V _{CC} + 0.5 V		±25 mA
Continuous current through V _{CC} or GND				±50 mA
T _J	Junction temperature			150 °C
T _{stg}	Storage temperature	-65	150	°C
Lead temperature (Soldering 10s) (SOIC - lead tips only)				300 °C

- (1) Stresses beyond those listed under *absolute maximum ratings* may cause permanent damage to the device. These are stress ratings only and functional operation of the device at these or any other conditions beyond those indicated under *recommended operating conditions* is not implied. Exposure to absolute-maximum-rated conditions for extended periods may affect device reliability.
- (2) The input and output voltage ratings may be exceeded if the input and output current ratings are observed.

5.2 Recommended Operating Conditions⁽¹⁾

		MIN	MAX	UNIT	
V _{CC}	Supply voltage range	HC Types	2	6	V
		HCT Types	4.5	5.5	V
V _I , V _O	DC input or output voltage	0	V _{CC}	V	
t _t	Input rise and fall time	2 V	1000	ns	
		4.5 V	500		
		6 V	400		
T _A	Temperature range	- 55	125	°C	

- (1) All unused inputs of the device must be held at V_{CC} or GND to ensure proper device operation. Refer to the TI application report *Implications of Slow or Floating CMOS Inputs*, literature number [SCBA004](#).

5.3 Thermal Information

THERMAL METRIC		D (SOIC)	N (PDIP)	UNIT
		16 PINS	16 PINS	
R _{θJA}	Junction-to-ambient thermal resistance ⁽¹⁾	67	73	°C/W

- (1) For more information about traditional and new thermal metrics, see the [Semiconductor and IC package thermal metrics](#) application report.

5.4 Electrical Characteristics

PARAMETER		TEST CONDITIONS ⁽¹⁾	V _{CC} (V)	25°C			–40°C to 85°C		–55°C to 125°C		UNIT
				MIN	TYP	MAX	MIN	MAX	MIN	MAX	
HC TYPES											
V _{IH}	High-level input voltage		2	1.5		1.5		1.5		V	
			4.5	3.15		3.15		3.15		V	
			6	4.2		4.2		4.2		V	
V _{IL}	Low-level input voltage		2		0.5		0.5		0.5	V	
			4.5		1.35		1.35		1.35	V	
			6		1.8		1.8		1.8	V	
V _{OH}	High-level output voltage CMOS loads	I _{OH} = –20μA	2	1.9		1.9		1.9		V	
		I _{OH} = –20μA	4.5	4.4		4.4		4.4		V	
		I _{OH} = –20μA	6	5.9		5.9		5.9		V	
	High-level output voltage TTL loads	I _{OH} = –6mA	4.5	3.98		3.84		3.7		V	
		I _{OH} = –7.8mA	6	5.48		5.34		5.2		V	
V _{OL}	Low-level output voltage CMOS loads	I _{OL} = 20μA	2		0.1		0.1		0.1	V	
		I _{OL} = 20μA	4.5		0.1		0.1		0.1	V	
		I _{OL} = 20μA	6		0.1		0.1		0.1	V	
	Low-level output voltage TTL loads	I _{OL} = 6mA	4.5		0.26		0.33		0.4	V	
		I _{OL} = 7.8mA	6		0.26		0.33		0.4	V	
I _I	Input leakage current	V _{CC} or GND	6		±0.1		±1		±1	μA	
I _{CC}	Supply current	V _{CC} or GND	6		8		80		160	μA	
I _{OZ}	Three-state leakage current		6		±0.5		±0.5		±10	μA	
HCT TYPES											
V _{IH}	High-level input voltage		4.5 to 5.5	2		2		2		V	
V _{IL}	Low-level input voltage		4.5 to 5.5		0.8		0.8		0.8	V	
V _{OH}	High-level output voltage CMOS loads	I _{OH} = –20μA	4.5	4.4		4.4		4.4		V	
	High-level output voltage TTL loads	I _{OH} = –6mA	4.5	3.98		3.84		3.7		V	
V _{OL}	Low-level output voltage CMOS loads	I _{OL} = 20μA	4.5		0.1		0.1		0.1	V	
	Low-level output voltage TTL loads	I _{OL} = 6mA	4.5		0.26		0.33		0.4	V	
I _I	Input leakage current	V _{CC} and GND	5.5		±0.1		±1		±1	μA	
I _{CC}	Supply Current	V _{CC} and GND	5.5		8		80		160	μA	
I _{OZ}	Three-state leakage current		6		±0.5		±5.0		±10	μA	
ΔI _{CC} ^{(2) (3)}	Additional supply current per input pin	S0, S1, S2	4.5 to 5.5		55 198		247.5		269.5	μA	
		I0 - I7	4.5 to 5.5		50 180		225		245	μA	
		\overline{OE}	4.5 to 5.5		265 954		1192.5		1298.5	μA	

(1) V_I = V_{IH} or V_{IL}, unless otherwise noted.

(2) For dual-supply systems theoretical worst case (V_I = 2.4 V, V_{CC} = 5.5 V) specification is 1.8 mA..

(3) Inputs held at V_{CC} – 2.1.

5.5 Switching Characteristics

Input $t_f = 6\text{ns}$. Unless otherwise specified, $C_L = 50\text{pF}$

PARAMETER		V_{CC} (V)	25°C		-40°C to 85°C	-55°C to 125°C	UNIT
			TYP	MAX	MAX	MAX	
HC TYPES							
t_{pd}	Select to outputs	2		245	305	370	ns
		4.5	21 ⁽¹⁾	49	61	74	
		6		42	52	63	
t_{pd}	Data to outputs	2		175	220	265	ns
		4.5	12 ⁽¹⁾	35	44	53	
		6		30	37	45	
t_{pd}	Enable to high Z and enable from high Z	2		140	175	210	ns
		4.5	11 ⁽¹⁾	28	35	42	
		6		24	30	36	
t_t	Output transition times	2		75	95	110	ns
		4.5		15	19	22	
		6		13	16	19	
C_i	Input capacitance			10	10	10	pF
C_O	Three-state output capacitance			15	15	15	pF
C_{pd} ^{(3) (4)}	Power dissipation capacitance	5	60 ⁽²⁾				pF
HCT TYPES							
t_{pd}	Select to outputs	4.5	18 ⁽¹⁾	42	53	63	ns
t_{pd}	Data to outputs	4.5	12 ⁽¹⁾	35	44	53	ns
t_{pd}	Enable to high Z and enable from high Z	4.5	12 ⁽¹⁾	30	38	45	ns
t_t	Output transition times	4.5		15	19	22	ns
C_i	Input capacitance			10	10	10	pF
C_{pd} ^{(3) (4)}	Power dissipation capacitance	5	60 ⁽²⁾				pF

(1) Typical value tested at 5V, $C_L = 15\text{pF}$.

(2) Typical value tested at 5V.

(3) C_{PD} is used to determine the dynamic power consumption, per channel.

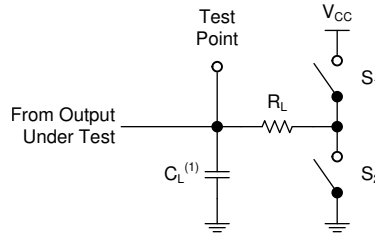
(4) $P_D = V_{CC}^2 f_i (C_{PD} + C_L)$ where f_i = input frequency, C_L = output load capacitance, V_{CC} = supply voltage.

6 Parameter Measurement Information

Phase relationships between waveforms were chosen arbitrarily. All input pulses are supplied by generators having the following characteristics: $PRR \leq 1 \text{ MHz}$, $Z_O = 50 \Omega$, $t_t < 6 \text{ ns}$.

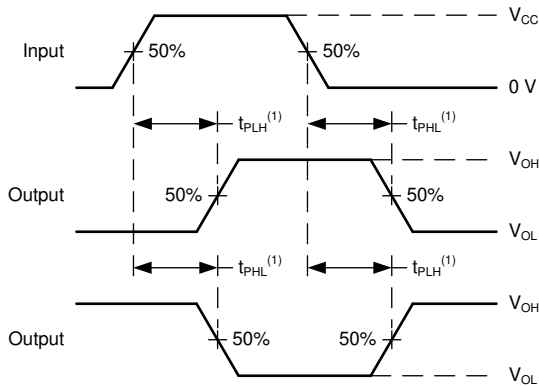
For clock inputs, f_{max} is measured when the input duty cycle is 50%.

The outputs are measured one at a time with one input transition per measurement.



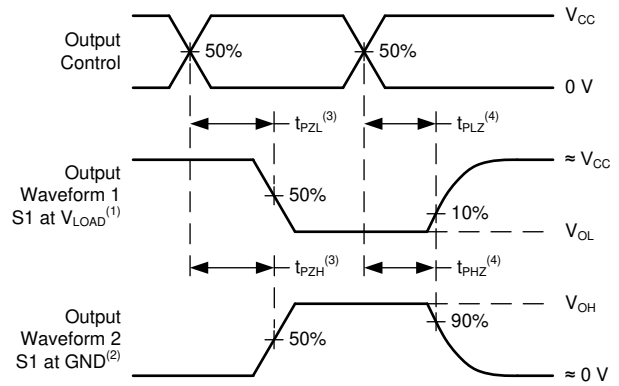
(1) C_L includes probe and test-fixture capacitance.

Figure 6-1. Load Circuit for 3-State Outputs



(1) The greater between t_{PLH} and t_{PHL} is the same as t_{pd} .

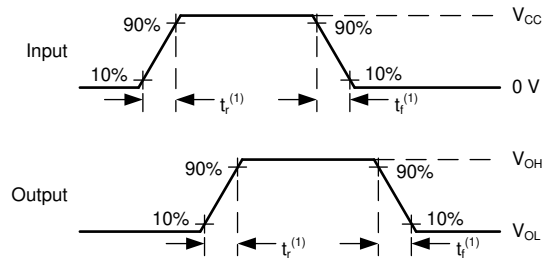
Figure 6-2. Voltage Waveforms, Propagation Delays for Standard CMOS Inputs



(1) t_{PLZ} and t_{PHZ} are the same as t_{dis} .

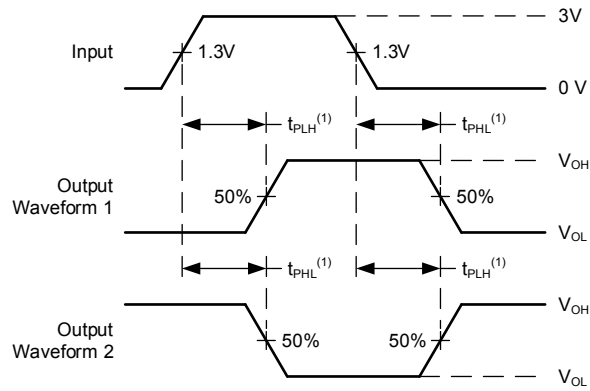
(2) t_{PZL} and t_{PZH} are the same as t_{en} .

Figure 6-3. Voltage Waveforms, Standard CMOS Inputs Propagation Delays



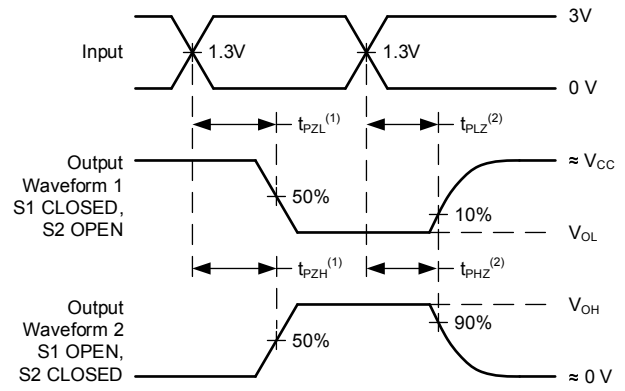
(1) The greater between t_r and t_f is the same as t_t .

Figure 6-4. Voltage Waveforms, Input and Output Transition Times for Standard CMOS Inputs



(1) The greater between t_{PLH} and t_{PHL} is the same as t_{pd} .

Figure 6-5. Voltage Waveforms, Propagation Delays for TTL-Compatible Inputs



(1) t_{PLZ} and t_{PHZ} are the same as t_{dis} .

(2) t_{PZL} and t_{PZH} are the same as t_{en} .

Figure 6-6. Voltage Waveforms, TTL-Compatible CMOS Inputs Propagation Delays

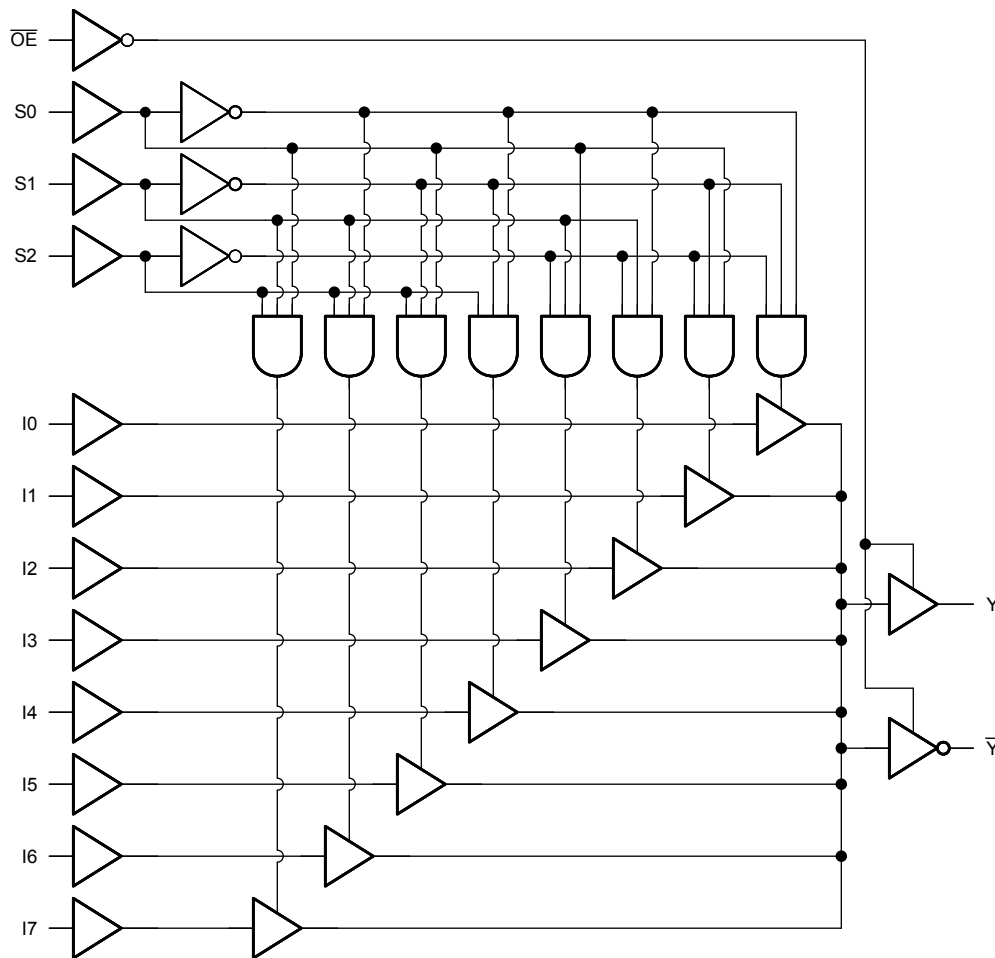
7 Detailed Description

7.1 Overview

The 'HC251 and 'HCT251 are 8-channel digital multiplexers with three-state outputs, fabricated with high-speed silicongate CMOS technology. Together with the low power consumption of standard CMOS integrated circuits, they possess the ability to drive 10 LSTTL loads. The three-state feature makes them ideally suited for interfacing with bus lines in a bus-oriented system.

This multiplexer features both true (Y) and complement (\bar{Y}) outputs as well as an output enable (\overline{OE}) input. The \overline{OE} must be at a low logic level to enable this device. When the \overline{OE} input is high, both outputs are in the high-impedance state. When enabled, address information on the data select inputs determines which data input is routed to the Y and \bar{Y} outputs. The 'HCT251 logic family is speed, function, and pin-compatible with the standard 'LS251.

7.2 Functional Block Diagram



7.3 Device Functional Modes

Table 7-1. Truth Table⁽¹⁾

INPUTS				OUTPUT	
SELECT			OUTPUT CONTROL \overline{OE}	Y	\overline{Y}
S2	S1	S0			
X	X	X	H	Z	Z
L	L	L	L	I_0	\overline{I}_0
L	L	H	L	I_1	\overline{I}_1
L	H	L	L	I_2	\overline{I}_2
L	H	H	L	I_3	\overline{I}_3
H	L	L	L	I_4	\overline{I}_4
H	L	H	L	I_5	\overline{I}_5
H	H	L	L	I_6	\overline{I}_6
H	H	H	L	I_7	\overline{I}_7

- (1) H = High voltage level.
 L = Low voltage level.
 X = Dont care.
 Z = High impedance (Off).
 $I_0, I_1 \dots I_7$ = The level of the respective input.

8 Power Supply Recommendations

The power supply can be any voltage between the minimum and maximum supply voltage rating located in the *Recommended Operating Conditions*. Each V_{CC} terminal should have a good bypass capacitor to prevent power disturbance. A 0.1- μF capacitor is recommended for this device. It is acceptable to parallel multiple bypass caps to reject different frequencies of noise. The 0.1- μF and 1- μF capacitors are commonly used in parallel. The bypass capacitor should be installed as close to the power terminal as possible for best results.

9 Layout

9.1 Layout Guidelines

When using multiple-input and multiple-channel logic devices inputs must not ever be left floating. In many cases, functions or parts of functions of digital logic devices are unused; for example, when only two inputs of a triple-input AND gate are used or only 3 of the 4 buffer gates are used. Such unused input pins must not be left unconnected because the undefined voltages at the outside connections result in undefined operational states. All unused inputs of digital logic devices must be connected to a logic high or logic low voltage, as defined by the input voltage specifications, to prevent them from floating. The logic level that must be applied to any particular unused input depends on the function of the device. Generally, the inputs are tied to GND or V_{CC} , whichever makes more sense for the logic function or is more convenient.

10 Device and Documentation Support

TI offers an extensive line of development tools. Tools and software to evaluate the performance of the device, generate code, and develop solutions are listed below.

10.1 Documentation Support

10.1.1 Related Documentation

10.2 Receiving Notification of Documentation Updates

To receive notification of documentation updates, navigate to the device product folder on ti.com. Click on *Subscribe to updates* to register and receive a weekly digest of any product information that has changed. For change details, review the revision history included in any revised document.

10.3 Support Resources

TI E2E™ [support forums](#) are an engineer's go-to source for fast, verified answers and design help — straight from the experts. Search existing answers or ask your own question to get the quick design help you need.

Linked content is provided "AS IS" by the respective contributors. They do not constitute TI specifications and do not necessarily reflect TI's views; see TI's [Terms of Use](#).

10.4 Trademarks

TI E2E™ is a trademark of Texas Instruments.
All trademarks are the property of their respective owners.

10.5 Electrostatic Discharge Caution



This integrated circuit can be damaged by ESD. Texas Instruments recommends that all integrated circuits be handled with appropriate precautions. Failure to observe proper handling and installation procedures can cause damage.

ESD damage can range from subtle performance degradation to complete device failure. Precision integrated circuits may be more susceptible to damage because very small parametric changes could cause the device not to meet its published specifications.

10.6 Glossary

[TI Glossary](#) This glossary lists and explains terms, acronyms, and definitions.

11 Mechanical, Packaging, and Orderable Information

The following pages include mechanical, packaging, and orderable information. This information is the most current data available for the designated devices. This data is subject to change without notice and revision of this document. For browser-based versions of this data sheet, refer to the left-hand navigation.

PACKAGING INFORMATION

Orderable part number	Status (1)	Material type (2)	Package Pins	Package qty Carrier	RoHS (3)	Lead finish/ Ball material (4)	MSL rating/ Peak reflow (5)	Op temp (°C)	Part marking (6)
5962-9052401MEA	Active	Production	CDIP (J) 16	25 TUBE	No	SNPB	N/A for Pkg Type	-55 to 125	5962-9052401ME A CD54HCT251F3A
CD54HC251F	Active	Production	CDIP (J) 16	25 TUBE	No	SNPB	N/A for Pkg Type	-55 to 125	CD54HC251F
CD54HC251F.A	Active	Production	CDIP (J) 16	25 TUBE	No	SNPB	N/A for Pkg Type	-55 to 125	CD54HC251F
CD54HC251F3A	Active	Production	CDIP (J) 16	25 TUBE	No	SNPB	N/A for Pkg Type	-55 to 125	8512501EA CD54HC251F3A
CD54HC251F3A.A	Active	Production	CDIP (J) 16	25 TUBE	No	SNPB	N/A for Pkg Type	-55 to 125	8512501EA CD54HC251F3A
CD54HCT251F3A	Active	Production	CDIP (J) 16	25 TUBE	No	SNPB	N/A for Pkg Type	-55 to 125	5962-9052401ME A CD54HCT251F3A
CD54HCT251F3A.A	Active	Production	CDIP (J) 16	25 TUBE	No	SNPB	N/A for Pkg Type	-55 to 125	5962-9052401ME A CD54HCT251F3A
CD74HC251E	Active	Production	PDIP (N) 16	25 TUBE	Yes	NIPDAU	N/A for Pkg Type	-55 to 125	CD74HC251E
CD74HC251E.A	Active	Production	PDIP (N) 16	25 TUBE	Yes	NIPDAU	N/A for Pkg Type	-55 to 125	CD74HC251E
CD74HC251M	Obsolete	Production	SOIC (D) 16	-	-	Call TI	Call TI	-55 to 125	HC251M
CD74HC251M96	Active	Production	SOIC (D) 16	2500 LARGE T&R	Yes	NIPDAU	Level-1-260C-UNLIM	-55 to 125	HC251M
CD74HC251M96.A	Active	Production	SOIC (D) 16	2500 LARGE T&R	Yes	NIPDAU	Level-1-260C-UNLIM	-55 to 125	HC251M
CD74HC251MT	Obsolete	Production	SOIC (D) 16	-	-	Call TI	Call TI	-55 to 125	HC251M
CD74HCT251E	Active	Production	PDIP (N) 16	25 TUBE	Yes	NIPDAU	N/A for Pkg Type	-55 to 125	CD74HCT251E
CD74HCT251E.A	Active	Production	PDIP (N) 16	25 TUBE	Yes	NIPDAU	N/A for Pkg Type	-55 to 125	CD74HCT251E
CD74HCT251M	Obsolete	Production	SOIC (D) 16	-	-	Call TI	Call TI	-55 to 125	HCT251M
CD74HCT251M96	Active	Production	SOIC (D) 16	2500 LARGE T&R	Yes	NIPDAU SN	Level-1-260C-UNLIM	-55 to 125	HCT251M
CD74HCT251M96.A	Active	Production	SOIC (D) 16	2500 LARGE T&R	Yes	NIPDAU	Level-1-260C-UNLIM	-55 to 125	HCT251M
CD74HCT251M96G4	Active	Production	SOIC (D) 16	2500 LARGE T&R	Yes	NIPDAU	Level-1-260C-UNLIM	-55 to 125	HCT251M
CD74HCT251M96G4.A	Active	Production	SOIC (D) 16	2500 LARGE T&R	Yes	NIPDAU	Level-1-260C-UNLIM	-55 to 125	HCT251M
CD74HCT251MT	Obsolete	Production	SOIC (D) 16	-	-	Call TI	Call TI	-55 to 125	HCT251M

⁽¹⁾ **Status:** For more details on status, see our [product life cycle](#).

(2) **Material type:** When designated, preproduction parts are prototypes/experimental devices, and are not yet approved or released for full production. Testing and final process, including without limitation quality assurance, reliability performance testing, and/or process qualification, may not yet be complete, and this item is subject to further changes or possible discontinuation. If available for ordering, purchases will be subject to an additional waiver at checkout, and are intended for early internal evaluation purposes only. These items are sold without warranties of any kind.

(3) **RoHS values:** Yes, No, RoHS Exempt. See the [TI RoHS Statement](#) for additional information and value definition.

(4) **Lead finish/Ball material:** Parts may have multiple material finish options. Finish options are separated by a vertical ruled line. Lead finish/Ball material values may wrap to two lines if the finish value exceeds the maximum column width.

(5) **MSL rating/Peak reflow:** The moisture sensitivity level ratings and peak solder (reflow) temperatures. In the event that a part has multiple moisture sensitivity ratings, only the lowest level per JEDEC standards is shown. Refer to the shipping label for the actual reflow temperature that will be used to mount the part to the printed circuit board.

(6) **Part marking:** There may be an additional marking, which relates to the logo, the lot trace code information, or the environmental category of the part.

Multiple part markings will be inside parentheses. Only one part marking contained in parentheses and separated by a "-" will appear on a part. If a line is indented then it is a continuation of the previous line and the two combined represent the entire part marking for that device.

Important Information and Disclaimer: The information provided on this page represents TI's knowledge and belief as of the date that it is provided. TI bases its knowledge and belief on information provided by third parties, and makes no representation or warranty as to the accuracy of such information. Efforts are underway to better integrate information from third parties. TI has taken and continues to take reasonable steps to provide representative and accurate information but may not have conducted destructive testing or chemical analysis on incoming materials and chemicals. TI and TI suppliers consider certain information to be proprietary, and thus CAS numbers and other limited information may not be available for release.

In no event shall TI's liability arising out of such information exceed the total purchase price of the TI part(s) at issue in this document sold by TI to Customer on an annual basis.

OTHER QUALIFIED VERSIONS OF CD54HC251, CD54HCT251, CD74HC251, CD74HCT251 :

● Catalog : [CD74HC251](#), [CD74HCT251](#)

● Military : [CD54HC251](#), [CD54HCT251](#)

NOTE: Qualified Version Definitions:

- Catalog - TI's standard catalog product
- Military - QML certified for Military and Defense Applications

TAPE AND REEL INFORMATION

QUADRANT ASSIGNMENTS FOR PIN 1 ORIENTATION IN TAPE


*All dimensions are nominal

Device	Package Type	Package Drawing	Pins	SPQ	Reel Diameter (mm)	Reel Width W1 (mm)	A0 (mm)	B0 (mm)	K0 (mm)	P1 (mm)	W (mm)	Pin1 Quadrant
CD74HC251M96	SOIC	D	16	2500	330.0	16.4	6.5	10.3	2.1	8.0	16.0	Q1
CD74HCT251M96	SOIC	D	16	2500	330.0	16.4	6.5	10.3	2.1	8.0	16.0	Q1
CD74HCT251M96G4	SOIC	D	16	2500	330.0	16.4	6.5	10.3	2.1	8.0	16.0	Q1

TAPE AND REEL BOX DIMENSIONS



*All dimensions are nominal

Device	Package Type	Package Drawing	Pins	SPQ	Length (mm)	Width (mm)	Height (mm)
CD74HC251M96	SOIC	D	16	2500	353.0	353.0	32.0
CD74HCT251M96	SOIC	D	16	2500	353.0	353.0	32.0
CD74HCT251M96G4	SOIC	D	16	2500	353.0	353.0	32.0

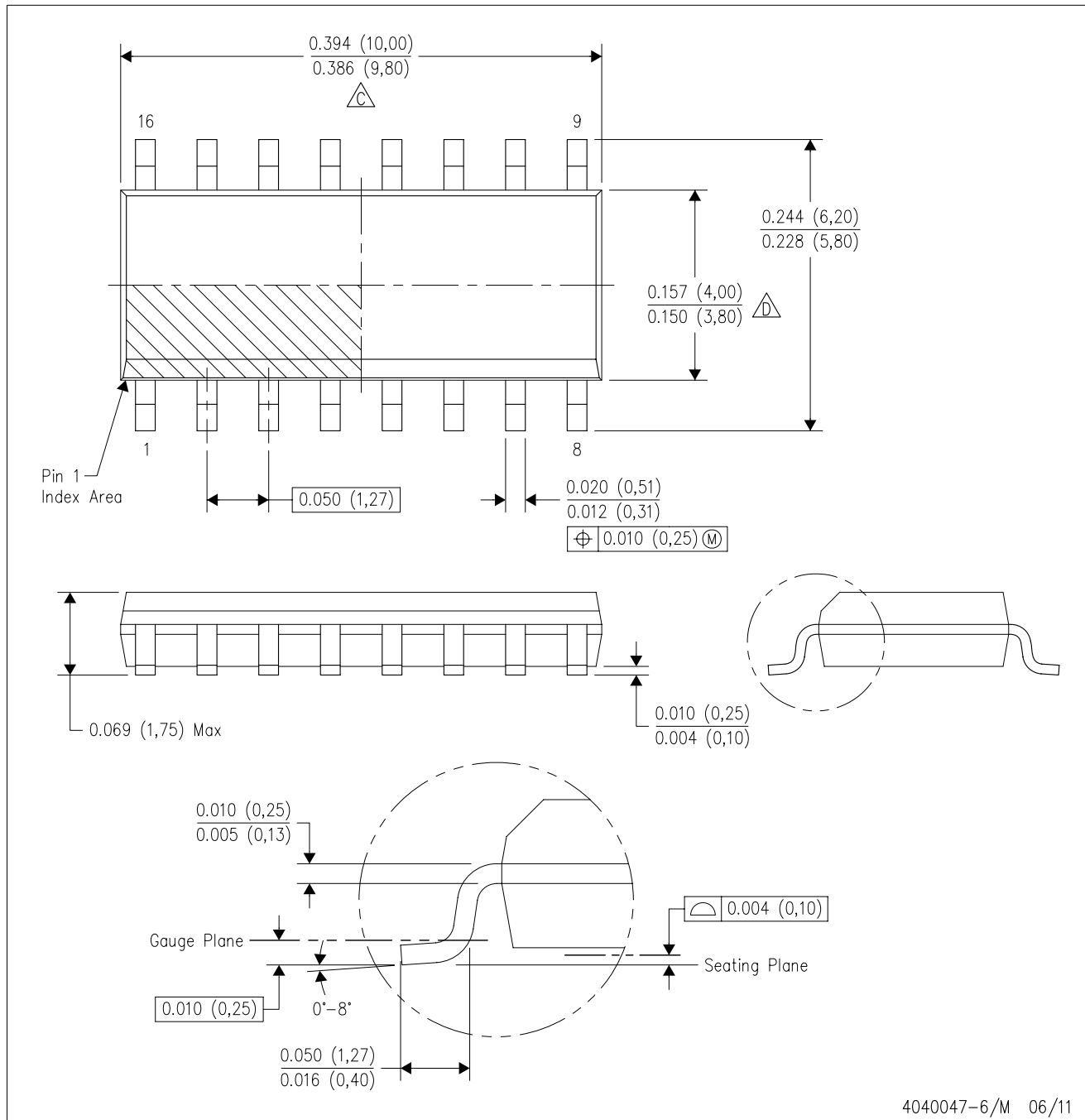
TUBE


*All dimensions are nominal

Device	Package Name	Package Type	Pins	SPQ	L (mm)	W (mm)	T (μm)	B (mm)
CD74HC251E	N	PDIP	16	25	506	13.97	11230	4.32
CD74HC251E	N	PDIP	16	25	506	13.97	11230	4.32
CD74HC251E.A	N	PDIP	16	25	506	13.97	11230	4.32
CD74HC251E.A	N	PDIP	16	25	506	13.97	11230	4.32
CD74HCT251E	N	PDIP	16	25	506	13.97	11230	4.32
CD74HCT251E	N	PDIP	16	25	506	13.97	11230	4.32
CD74HCT251E.A	N	PDIP	16	25	506	13.97	11230	4.32
CD74HCT251E.A	N	PDIP	16	25	506	13.97	11230	4.32

D (R-PDSO-G16)

PLASTIC SMALL OUTLINE



- NOTES:
- A. All linear dimensions are in inches (millimeters).
 - B. This drawing is subject to change without notice.
 - C. Body length does not include mold flash, protrusions, or gate burrs. Mold flash, protrusions, or gate burrs shall not exceed 0.006 (0,15) each side.
 - D. Body width does not include interlead flash. Interlead flash shall not exceed 0.017 (0,43) each side.
 - E. Reference JEDEC MS-012 variation AC.

J (R-GDIP-T**)

14 LEADS SHOWN

CERAMIC DUAL IN-LINE PACKAGE



DIM \ PINS **	14	16	18	20
A	0.300 (7,62) BSC	0.300 (7,62) BSC	0.300 (7,62) BSC	0.300 (7,62) BSC
B MAX	0.785 (19,94)	.840 (21,34)	0.960 (24,38)	1.060 (26,92)
B MIN	—	—	—	—
C MAX	0.300 (7,62)	0.300 (7,62)	0.310 (7,87)	0.300 (7,62)
C MIN	0.245 (6,22)	0.245 (6,22)	0.220 (5,59)	0.245 (6,22)



4040083/F 03/03

- NOTES:
- All linear dimensions are in inches (millimeters).
 - This drawing is subject to change without notice.
 - This package is hermetically sealed with a ceramic lid using glass frit.
 - Index point is provided on cap for terminal identification only on press ceramic glass frit seal only.
 - Falls within MIL STD 1835 GDIP1-T14, GDIP1-T16, GDIP1-T18 and GDIP1-T20.

IMPORTANT NOTICE AND DISCLAIMER

TI PROVIDES TECHNICAL AND RELIABILITY DATA (INCLUDING DATASHEETS), DESIGN RESOURCES (INCLUDING REFERENCE DESIGNS), APPLICATION OR OTHER DESIGN ADVICE, WEB TOOLS, SAFETY INFORMATION, AND OTHER RESOURCES "AS IS" AND WITH ALL FAULTS, AND DISCLAIMS ALL WARRANTIES, EXPRESS AND IMPLIED, INCLUDING WITHOUT LIMITATION ANY IMPLIED WARRANTIES OF MERCHANTABILITY, FITNESS FOR A PARTICULAR PURPOSE OR NON-INFRINGEMENT OF THIRD PARTY INTELLECTUAL PROPERTY RIGHTS.

These resources are intended for skilled developers designing with TI products. You are solely responsible for (1) selecting the appropriate TI products for your application, (2) designing, validating and testing your application, and (3) ensuring your application meets applicable standards, and any other safety, security, regulatory or other requirements.

These resources are subject to change without notice. TI grants you permission to use these resources only for development of an application that uses the TI products described in the resource. Other reproduction and display of these resources is prohibited. No license is granted to any other TI intellectual property right or to any third party intellectual property right. TI disclaims responsibility for, and you fully indemnify TI and its representatives against any claims, damages, costs, losses, and liabilities arising out of your use of these resources.

TI's products are provided subject to [TI's Terms of Sale](#), [TI's General Quality Guidelines](#), or other applicable terms available either on ti.com or provided in conjunction with such TI products. TI's provision of these resources does not expand or otherwise alter TI's applicable warranties or warranty disclaimers for TI products. Unless TI explicitly designates a product as custom or customer-specified, TI products are standard, catalog, general purpose devices.

TI objects to and rejects any additional or different terms you may propose.

Copyright © 2026, Texas Instruments Incorporated

Last updated 10/2025