

DIX4192 Integrated Digital Audio Interface Receiver and Transmitter

1 Features

- Digital Audio Interface Transmitter (DIT)
 - Supports Sampling Rates Up to 216 kHz
 - Includes Differential Line Driver and CMOS-Buffered Outputs
- Digital Audio Interface Receiver (DIR)
 - PLL Lock Range Includes Sampling Rates from 20 kHz to 216 kHz
 - Four Differential-Input Line Receivers and an Input Multiplexer
 - Bypass Multiplexer Routes Line Receiver Outputs to Line Driver and Buffer Outputs
 - Automatic Detection of Non-PCM Audio Streams (DTS CD/LD and IEC 61937 formats)
 - Audio CD Q-Channel Sub-Code Decoding and Data Buffer
 - Low Jitter Recovered Clock Output
- User-Selectable Serial Host Interface: SPI™ or I²C
 - Provides Access to On-Chip Registers and Data Buffers
 - Status Registers and Interrupt Generation for Flag and Error Conditions
 - Block-Sized Data Buffers for Both Channel Status and User Data
- Two Audio Serial Ports (Ports A and B)
 - Synchronous Serial Interface to External Signal Processors, Data Converters, and Logic
 - Slave or Master Mode Operation With Sampling Rates Up to 216 kHz
 - Supports Left-Justified, Right-Justified, and Philips I²S™ Data Formats
 - Supports Audio Data Word Lengths Up to 24 Bits
- Four General-Purpose Digital Outputs
 - Multifunction Programmable Through Control Registers
- Extensive Power-Down Support
 - Functional Blocks May Be Disabled Individually When Not In Use

- Operates From 1.8-V Core and 3.3-V I/O Power Supplies
- Small TQFP-48 Package, Compatible With the SRC4382 and SRC4392

2 Applications

- Digital Audio Recorders and Mixing Desks
- Digital Audio Interfaces for Computers
- Digital Audio Routers and Distribution Systems
- Broadcast Studio Equipment
- DVD and CD Recorders
- Surround Sound Decoders and A/V Receivers
- Car Audio Systems

3 Description

The DIX4192 device is a highly-integrated CMOS device designed for use in professional and broadcast digital audio systems. The DIX4192 combines a digital audio interface receiver (DIR) and transmitter (DIT), two audio serial ports, and flexible distribution logic for interconnection of the function block data and clocks.

The DIR and DIT are compatible with the AES3, S/PDIF, IEC 60958, and EIAJ CP-1201 interface standards. The audio serial ports and DIT may be operated at sampling rates up to 216 kHz. The DIR lock range includes sampling rates from 20 kHz to 216 kHz.

Device Information⁽¹⁾

PART NUMBER	PACKAGE	BODY SIZE (NOM)
DIX4192	TQFP (48)	7.00 mm x 7.00 mm

(1) For all available packages, see the orderable addendum at the end of the data sheet.

DIX4192 Typical Application

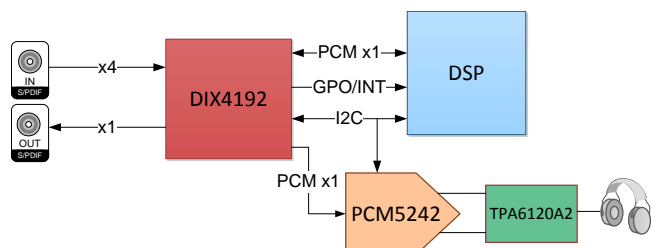


Table of Contents

<p>1 Features 1</p> <p>2 Applications 1</p> <p>3 Description 1</p> <p>4 Revision History..... 2</p> <p>5 Description (continued)..... 3</p> <p>6 Device Comparison Table..... 3</p> <p>7 Pin Configuration and Functions 4</p> <p>8 Specifications..... 5</p> <p> 8.1 Absolute Maximum Ratings 5</p> <p> 8.2 ESD Ratings..... 6</p> <p> 8.3 Recommended Operating Conditions..... 6</p> <p> 8.4 Thermal Information 6</p> <p> 8.5 Electrical Characteristics..... 6</p> <p> 8.6 Timing Requirements..... 7</p> <p> 8.7 Typical Characteristics 10</p> <p>9 Detailed Description 11</p> <p> 9.1 Overview 11</p> <p> 9.2 Functional Block Diagram 12</p> <p> 9.3 Feature Description..... 12</p>	<p> 9.4 Device Functional Modes..... 23</p> <p> 9.5 Register Maps 26</p> <p>10 Application and Implementation..... 51</p> <p> 10.1 Application Information..... 51</p> <p> 10.2 Typical Application 58</p> <p>11 Power Supply Recommendations 59</p> <p>12 Layout..... 60</p> <p> 12.1 Layout Guidelines 60</p> <p> 12.2 Layout Example 60</p> <p>13 Device and Documentation Support 61</p> <p> 13.1 Device Support..... 61</p> <p> 13.2 Documentation Support 61</p> <p> 13.3 Receiving Notification of Documentation Updates 61</p> <p> 13.4 Community Resources..... 61</p> <p> 13.5 Trademarks 61</p> <p> 13.6 Electrostatic Discharge Caution..... 62</p> <p> 13.7 Glossary 62</p> <p>14 Mechanical, Packaging, and Orderable Information 62</p>
---	--

4 Revision History

NOTE: Page numbers for previous revisions may differ from page numbers in the current version.

Changes from Revision E (April 2016) to Revision F	Page
<ul style="list-style-type: none"> • Changed f_{MCLK} Max value From: 2.27 To: 27.7 6 	6
Changes from Revision D (January 2016) to Revision E	Page
<ul style="list-style-type: none"> • Changed "I_{IH} High-level input current" MAX value From: 10 μA To: 25 μA in the Electrical Characteristics table 6 • Changed Byte 2 in Figure 22a) Current Address Read, 25 	6 25
Changes from Revision C (June 2006) to Revision D	Page
<ul style="list-style-type: none"> • Added <i>ESD Ratings</i> table, <i>Feature Description</i> section, <i>Device Functional Modes</i> section, <i>Application and Implementation</i> section, <i>Power Supply Recommendations</i> section, <i>Layout</i> section, <i>Device and Documentation Support</i> section, and <i>Mechanical, Packaging, and Orderable Information</i> section. 1 	1

5 Description (continued)

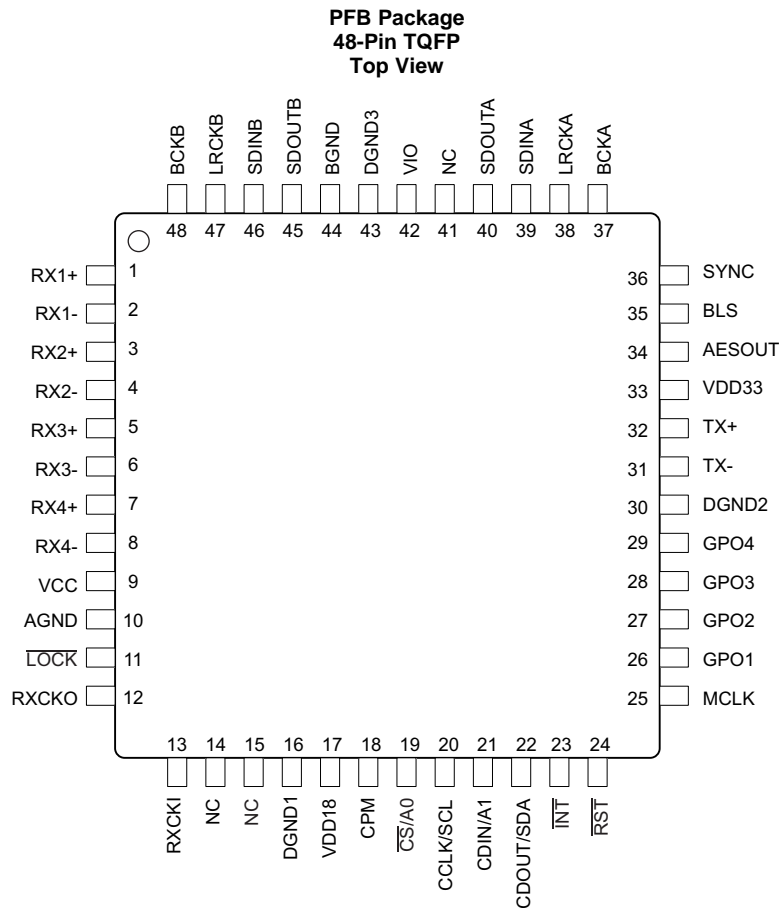
The DIX4192 device is configured using on-chip control registers and data buffers, which are accessed through either a 4-wire serial peripheral interface (SPI) port, or a 2-wire Philips I²C bus interface. Status registers provide access to a variety of flag and error bits, which are derived from the various function blocks. An open-drain interrupt output pin is provided, and is supported by flexible interrupt reporting and mask options through control register settings. A master reset input pin is provided for initialization by a host processor or supervisory functions.

The DIX4192 device requires a 1.8-V core logic supply, in addition to a 3.3-V supply for powering portions of the DIR, DIT, and line driver and receiver functions. A separate logic I/O supply supports operation from 1.65 V to 3.6 V, providing compatibility with low voltage logic interfaces typically found on digital signal processors and programmable logic devices. The DIX4192 device is available in a lead-free, TQFP-48 package, and is pin- and register-compatible with the Texas Instruments SRC4382 and SRC4392 products.

6 Device Comparison Table

PART NUMBER	1.8 V IO	MULTI-CH PCM	ADC	PCM PORTS	S/PDIF PORTS
DIX4192	Yes	No	No	2	4 differential Line IN and 1 differential Line Out
PCM9211	No	Yes	Yes	Up to 3 IN and up to 3 Out	Up to 12 single-ended IN and up to 2 single-ended Out
DIX9211	No	Yes	No	Up to 3 IN and up to 3 Out	Up to 12 single-ended IN and up to 2 single-ended Out

7 Pin Configuration and Functions



Pin Functions

PIN		TYPE ⁽¹⁾	DESCRIPTION
NAME	NO.		
AESOUT	34	O	DIT buffered AES3-encoded data
AGND	10	GND	DIR comparator and PLL power-supply ground
BCKA	37	I/O	Audio serial Port A bit clock
BCKB	48	I/O	Audio serial Port B bit clock
BGND	44	GND	Substrate ground, connect to AGND (pin 10)
BLS	35	I/O	DIT block start clock
CCLK or SCL	20	I	Serial data clock for SPI mode or I ² C mode
CDIN or A1	21	I	SPI port serial data input or programmable slave address for I ² C mode
CDOUT or SDA	22	I/O	SPI port serial data output (tri-state output) or serial data I/O for I ² C mode
CPM	18	I	Control port mode, 0 = SPI mode, 1 = I ² C mode
\overline{CS} or A0	19	I	Chip select (active low) for SPI mode or programmable slave address for I ² C mode
DGND1	16	GND	Digital core ground
DGND2	30	GND	DIR line receiver bias and DIT line driver digital ground
DGND3	43	GND	Logic I/O ground
GPO1	26	O	General-purpose output 1
GPO2	27	O	General-purpose output 2
GPO3	28	O	General-purpose output 3
GPO4	29	O	General-purpose output 4

(1) I = Input, O = Output, PWR = Power, GND = Ground

Pin Functions (continued)

PIN		TYPE ⁽¹⁾	DESCRIPTION
NAME	NO.		
$\overline{\text{INT}}$	23	O	Interrupt flag (open-drain, active low)
$\overline{\text{LOCK}}$	11	O	DIR PLL lock flag (active low)
LRCKA	38	I/O	Audio serial Port A Left/Right clock
LRCKB	47	I/O	Audio serial Port B left/right clock
MCLK	25	I	Master clock
NC	14, 15, 41	—	No internal signal connection, internally bonded to ESD pad
$\overline{\text{RST}}$	24	I	Reset (active low)
RX1+	1	I	Line receiver 1, noninverting input
RX1–	2	I	Line receiver 1, inverting input
RX2+	3	I	Line receiver 2, noninverting input
RX2–	4	I	Line receiver 2, inverting input
RX3+	5	I	Line receiver 3, noninverting input
RX3–	6	I	Line receiver 3, inverting input
RX4+	7	I	Line receiver 4, noninverting input
RX4–	8	I	Line receiver 4, inverting input
RXCKI	13	I	DIR reference clock
RXCKO	12	O	DIR recovered master clock (tri-state output)
SDINA	39	I	Audio serial Port A data input
SDINB	46	I	Audio serial Port B data input
SDOUTA	40	O	Audio serial Port A data output
SDOUTB	45	O	Audio serial Port B data output
SYNC	36	O	DIT internal sync clock
TX+	32	O	DIT line driver noninverting output
TX–	31	O	DIT line driver inverting output
VCC	9	PWR	DIR comparator and PLL power supply, 3.3-V nominal
VDD18	17	PWR	Digital core supply, 1.8-V nominal
VDD33	33	PWR	DIR line receiver bias and DIT line driver supply, 3.3-V nominal
VIO	42	PWR	Logic I/O supply, 1.65 V to 3.6 V

8 Specifications

8.1 Absolute Maximum Ratings

over operating free-air temperature range (unless otherwise noted)⁽¹⁾

		MIN	MAX	UNIT
Power supply	VDD18	–0.3	2	V
	VDD33	–0.3	4	V
	VIO	–0.3	4	V
	VCC	–0.3	4	V
Digital input voltage: digital logic	RXCKI, CPM, $\overline{\text{CS}}$, CCLK, CDIN, CDOUT, $\overline{\text{INT}}$, $\overline{\text{RST}}$, MCLK, BLS, SYNC, BCKA, BCKB, LRCKA, LRCKB, SDINA, SDINB	–0.3	(VIO + 0.3)	V
Line receiver input voltage (per pin)	RX1+, RX1–, RX2+, RX2–, RX3+, RX3–, RX4+, RX4–		(VDD33 + 0.3)	V _{PP}
Input current (all pins except power and ground)			±10	mA
Ambient operating temperature		–40	85	°C
Storage temperature, T _{stg}		–65	150	°C

- (1) Stresses beyond those listed under *Absolute Maximum Ratings* may cause permanent damage to the device. These are stress ratings only, which do not imply functional operation of the device at these or any other conditions beyond those indicated under *Recommended Operating Procedures*. Exposure to absolute-maximum-rated conditions for extended periods may affect device reliability.

8.2 ESD Ratings

		VALUE	UNIT
$V_{(ESD)}$	Electrostatic discharge	Human-body model (HBM), per ANSI/ESDA/JEDEC JS-001 ⁽¹⁾	±2500
		Charged-device model (CDM), per JEDEC specification JESD22-C101 ⁽²⁾	±1500

(1) JEDEC document JEP155 states that 500-V HBM allows safe manufacturing with a standard ESD control process.

(2) JEDEC document JEP157 states that 250-V CDM allows safe manufacturing with a standard ESD control process.

8.3 Recommended Operating Conditions

over operating free-air temperature range (unless otherwise noted)

		MIN	NOM	MAX	UNIT
Supply voltage	VDD18	1.65	1.8	1.95	V
	VDD33	3	3.3	3.6	V
	VIO	1.65	3.3	3.6	V
	VCC	3	3.3	3.6	V

8.4 Thermal Information

THERMAL METRIC ⁽¹⁾		DIX4192	UNIT
		PFB (TQFP)	
		48 PINS	
$R_{\theta JA}$	Junction-to-ambient thermal resistance	62.0	°C/W
$R_{\theta JC(top)}$	Junction-to-case (top) thermal resistance	12.8	°C/W
$R_{\theta JB}$	Junction-to-board thermal resistance	27.9	°C/W
Ψ_{JT}	Junction-to-top characterization parameter	0.3	°C/W
Ψ_{JB}	Junction-to-board characterization parameter	27.6	°C/W

(1) For more information about traditional and new thermal metrics, see the *Semiconductor and IC Package Thermal Metrics* application report, [SPRA953](#).

8.5 Electrical Characteristics

All specifications are at $T_A = 25^\circ\text{C}$, $V_{DD18} = 1.8\text{ V}$, $V_{DD33} = 3.3\text{ V}$, $V_{IO} = 3.3\text{ V}$, and $V_{CC} = 3.3\text{ V}$, unless otherwise noted.

PARAMETER	TEST CONDITIONS	MIN	TYP	MAX	UNIT
DIGITAL I/O CHARACTERISTICS (ALL I/O PINS EXCEPT LINE RECEIVERS AND LINE DRIVER)					
V_{IH}	High-level input voltage	$0.7 \times V_{IO}$		V_{IO}	V
V_{IL}	Low-level input voltage	0	$0.3 \times V_{IO}$		V
I_{IH}	High-level input current	$I_O = -4\text{ mA}$, MUTE, SDINA, and SDINB pins		0.5	25
		$I_O = -4\text{ mA}$, all other pins		0.5	10
I_{IL}	Low-level input current	$I_O = 4\text{ mA}$		0.5	10
V_{OH}	High-level output voltage	$0.8 \times V_{IO}$		V_{IO}	V
V_{OL}	Low-level output voltage	0	$0.2 \times V_{IO}$		V
C_{IN}	Input capacitance	3			pF
LINE RECEIVER INPUTS (RX1+, RX1-, RX2+, RX2-, RX3+, RX3-, RX4+, RX4-)					
V_{TH}	Differential input sensitivity	Voltage across a given differential input pair		150	200
V_{HY}	Input hysteresis			150	
LINE DRIVER OUTPUTS (TX+, TX-)					
V_{TXO}	Differential output voltage	$R_L = 110\ \Omega$ Across TX+ and TX-		5.4	V_{PP}
MASTER CLOCK INPUT					
f_{MCLK}	Master clock input (MCLK) frequency	1		27.7	MHz
f_{MCLKD}	Master clock input (MCLK) duty cycle	45%		55%	
DIGITAL AUDIO INTERFACE RECEIVER (DIR)					
	PLL lock range	$T_A = 25^\circ\text{C}$		20	216
f_{RXCKI}	Reference clock input (RXCKI) frequency	3.5		27.7	MHz
f_{RXCKID}	Reference clock input (RXCKI) duty cycle	45%		55%	
f_{RXCKO}	Recovered clock output (RXCKO) frequency	3.5		27.7	MHz

Electrical Characteristics (continued)

All specifications are at $T_A = 25^\circ\text{C}$, $V_{DD18} = 1.8\text{ V}$, $V_{DD33} = 3.3\text{ V}$, $V_{IO} = 3.3\text{ V}$, and $V_{CC} = 3.3\text{ V}$, unless otherwise noted.

PARAMETER		TEST CONDITIONS	MIN	TYP	MAX	UNIT
f_{RXCKOD}	Recovered clock output (RXCKO) duty cycle		45%		55%	
	Recovered clock output (RXCKO) intrinsic jitter	Measured cycle-to-cycle		250		ps RMS
DIGITAL AUDIO INTERFACE TRANSMITTER (DIT)						
	Intrinsic output jitter	Measured cycle-to-cycle		200		ps RMS
POWER SUPPLIES						
Supply current: initial startup		All blocks powered down by default				
	IDD18S	$V_{DD18} = 1.8\text{ V}$		10		μA
	IDD33S	$V_{DD33} = 3.3\text{ V}$		10		μA
	IIOS	$V_{IO} = 3.3\text{ V}$		300		μA
	ICCS	$V_{CC} = 3.3\text{ V}$		10		μA
Supply current: quiescent		All blocks powered up with no clocks applied				
	IDD18Q	$V_{DD18} = 1.8\text{ V}$		2.3		mA
	IDD33Q	$V_{DD33} = 3.3\text{ V}$		0.6		mA
	IIOQ	$V_{IO} = 3.3\text{ V}$		0.3		mA
	ICCQ	$V_{CC} = 3.3\text{ V}$		6.3		mA
Supply current: dynamic		All blocks powered up, $f_S = 48\text{ kHz}$				
	IDD18D	$V_{DD18} = 1.8\text{ V}$		5.1		mA
	IDD33D	$V_{DD33} = 3.3\text{ V}$		14.1		mA
	IIOD ⁽¹⁾	$V_{IO} = 3.3\text{ V}$		46		mA
	ICCD	$V_{CC} = 3.3\text{ V}$		7.4		mA
Supply current: high sampling rate		All blocks powered up, $f_S = 192\text{ kHz}$				
	IDD18H	$V_{DD18} = 1.8\text{ V}$		6.7		mA
	IDD33H	$V_{DD33} = 3.3\text{ V}$		15		mA
	IIOH ⁽¹⁾	$V_{IO} = 3.3\text{ V}$		47		mA
	ICCH	$V_{CC} = 3.3\text{ V}$		7.5		mA
Total power dissipation: initial startup		All blocks powered down by default		1		mW
Total power dissipation: quiescent		All blocks powered up with no clocks applied		28		mW
Total power dissipation: dynamic		All blocks powered up, $f_S = 48\text{ kHz}$		233		mW
Total power dissipation: high sampling rate		All blocks powered up, $f_S = 192\text{ kHz}$		242		mW

(1) The typical V_{IO} supply current is measured using the DIX4192EVM evaluation module with loading from the DAIMB mother-board circuitry. V_{IO} supply current is dependent upon the loading on the logic output pins.

8.6 Timing Requirements

		MIN	NOM	MAX	UNIT
AUDIO SERIAL PORTS (PORT A AND PORT B)					
f_{LRCK}	LRCK clock frequency	0		216	kHz
t_{LRCKD}	LRCK clock duty cycle		50%		
f_{BCK}	BCK clock frequency	0		13.824	MHz
t_{BCKH}	BCK high pulse width	10			ns
t_{BCKL}	BCK low pulse width	10			ns
t_{AIS}	Audio data Input (SDIN) set-up time	10			ns
t_{AISH}	Audio data input (SDIN) hold time	10			ns
t_{ADD}	Audio data output (SDOUT) delay			10	ns
HOST INTERFACE: SPI MODE					
f_{CCLK}	Serial clock (CCLK) frequency	0		40	MHz
t_{CSCR}	\overline{CS} falling to CCLK rising	8			ns
t_{CFCS}	CCLK falling to \overline{CS} rising	7			ns
t_{CDS}	CDIN data set-up time	7			ns

Timing Requirements (continued)

		MIN	NOM	MAX	UNIT
t_{CDH}	CDIN data hold time	6			ns
t_{CFDO}	CCLK falling to CDOOUT data valid			3	ns
t_{CSZ}	\overline{CS} rising to CDOOUT high-impedance,			3	ns
HOST INTERFACE: I²C STANDARD MODE⁽¹⁾					
f_{SCL}	SCL clock frequency	0		100	kHz
t_{HDSTA}	Hold time repeated START condition	4			μ s
t_{LOW}	Low period of SCL clock	4.7			μ s
t_{HIGH}	High period of SCL clock	4			μ s
t_{SUSTA}	Set-up time repeated START condition	4.7			μ s
t_{HDDAT}	Data hold time	0 ⁽²⁾		3.45 ⁽³⁾	μ s
t_{SUDAT}	Data set-up time	250			ns
t_R	Rise time for both SDA and SDL			1000	ns
t_F	Fall time for both SDA and SDL			300	ns
t_{SUSTO}	Set-up time for STOP condition	4			μ s
t_{BUF}	Bus free time between START and STOP	4.7			μ s
C_B	Capacitive load for each bus line			400	pF
V_{NL}	Noise margin at low level (including hysteresis)	0.1 × V _{IO}			V
V_{NH}	Noise margin at high level (including hysteresis)	0.2 × V _{IO}			V
HOST INTERFACE: I²C FAST MODE⁽¹⁾					
f_{SCL}	SCL clock frequency	0		400	kHz
t_{HDSTA}	Hold time repeated START condition	0.6			μ s
t_{LOW}	Low period of SCL clock	1.3			μ s
t_{HIGH}	High period of SCL clock	0.6			μ s
t_{SUSTA}	Set-up time repeated START condition	0.6			μ s
t_{HDDAT}	Data hold time	0 ⁽²⁾		0.9 ⁽³⁾	μ s
t_{SUDAT}	Data set-up time	100 ⁽⁴⁾			ns
t_R	Rise time for both SDA and SDL	20 + 0.2C _B ⁽⁵⁾		300	ns
t_F	Fall time for both SDA and SDL	20 + 0.2C _B ⁽⁵⁾		300	ns
t_{SUSTO}	Set-up time for STOP condition	0.6			μ s
t_{BUF}	Bus free time between START and STOP	1.3			μ s
t_{SP}	Spike pulse width suppressed by input filter	0		50	ns
C_B	Capacitive load for each bus Line			400	pF
V_{NL}	Noise margin at low level (including hysteresis)	0.1 × V _{IO}			V
V_{NH}	Noise margin at high level (including hysteresis)	0.2 × V _{IO}			V

- (1) All values referred to the V_{IH} minimum and V_{IL} maximum levels listed in the Digital I/O Characteristics section of this table.
- (2) A device must internally provide a hold time of at least 300 ns for the SDA signal (referred to the V_{IH} minimum input level) to bridge the undefined region of the falling edge of SCL.
- (3) The maximum t_{HDDAT} has only to be met if the device does not stretch the Low period (t_{LOW}) of the SCL signal.
- (4) A Fast mode I²C bus device can be used in a Standard mode I²C bus system, but the requirement that t_{SUDAT} be 250 ns (minimum) must then be met. For the DIX4192, this condition is automatically the case, because the device does not stretch the Low period of the SCL signal.
- (5) C_B is defined as the total capacitance of one bus line in picofarads (pF). If mixed with High-Speed mode devices, faster fall times are allowed.

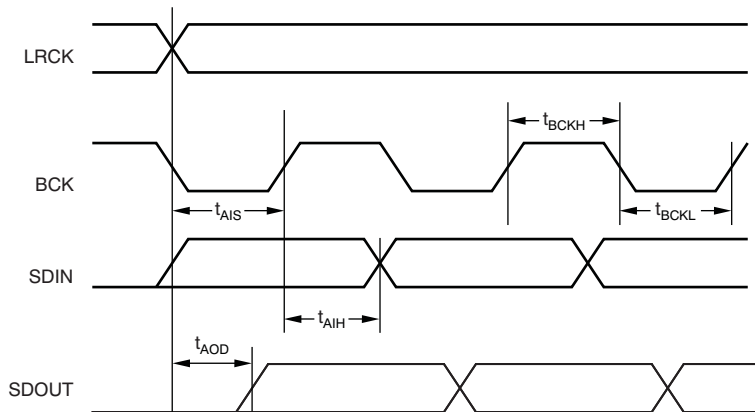


Figure 1. Audio Serial Port Timing

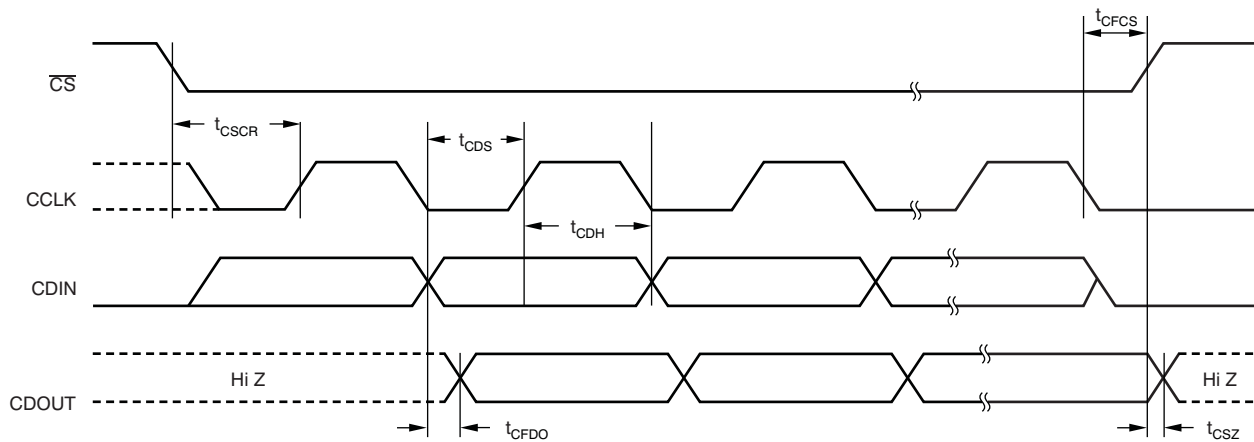


Figure 2. SPI Timing

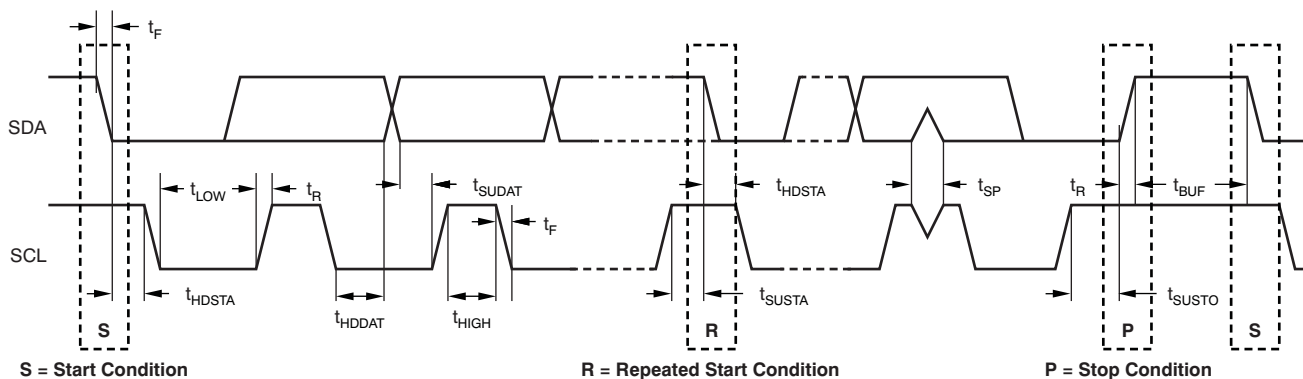
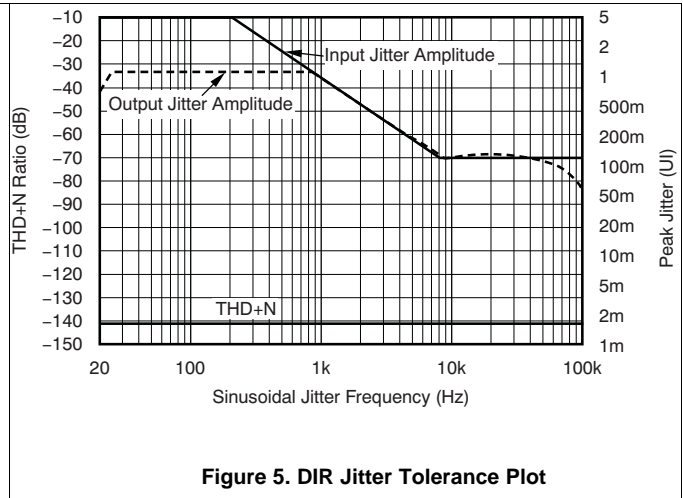
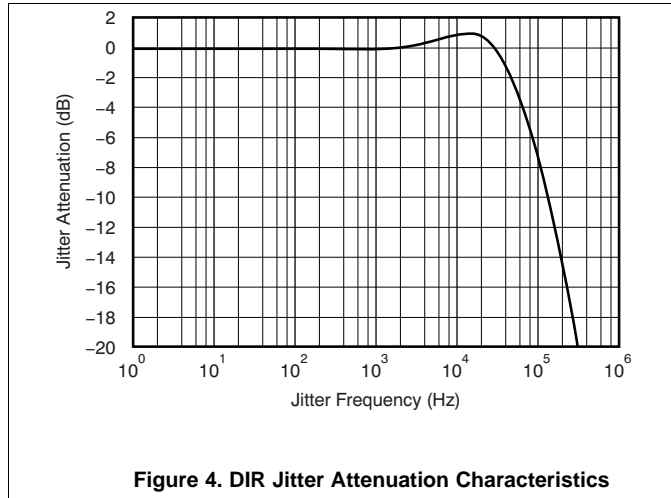


Figure 3. I²C Standard and Fast Mode Timing

8.7 Typical Characteristics



9 Detailed Description

9.1 Overview

The DIX4192 is an integrated digital audio interface receiver and transmitter (DIR and DIT). Two audio serial ports, Port A and Port B, support input and output interfacing to external data converters, signal processors, and logic devices. On-chip routing logic provides for flexible interconnection between the four functional blocks. The audio serial ports and DIT may be operated at sampling rates up to 216 kHz. The DIR is specified for a PLL lock range that includes sampling rates from 20 kHz to 216 kHz. All function blocks support audio data word lengths up to 24 bits.

The DIX4192 requires an external host processor or logic for configuration control. The DIX4192 includes a user-selectable serial host interface, which operates as either a 4-wire serial peripheral interface (SPI) port or a 2-wire Philips I²C bus interface. The SPI port operates at bit rates up to 40 MHz. The I²C bus interface may be operated in standard or fast modes, supporting operation at 100 kbps and 400 kbps, respectively. The SPI and I²C interfaces provide access to internal control and status registers, as well as the buffers used for the DIR and DIT channel status and user data.

The digital interface receiver (DIR) includes four differential input line receiver circuits, suitable for balanced or unbalanced cable interfaces. Interfacing to optical receiver modules and CMOS logic devices is also supported. The outputs of the line receivers are connected to a 1-of-4 data selector, referred to as the receiver input multiplexer, which is used to select one of the four line receiver outputs for processing by the DIR core. The outputs of the line receivers are also connected to a second data selector, the bypass multiplexer, which may be used to route input data streams to the DIT CMOS output buffer and differential line driver functions. This configuration provides a bypass signal path for AES3-encoded input data streams.

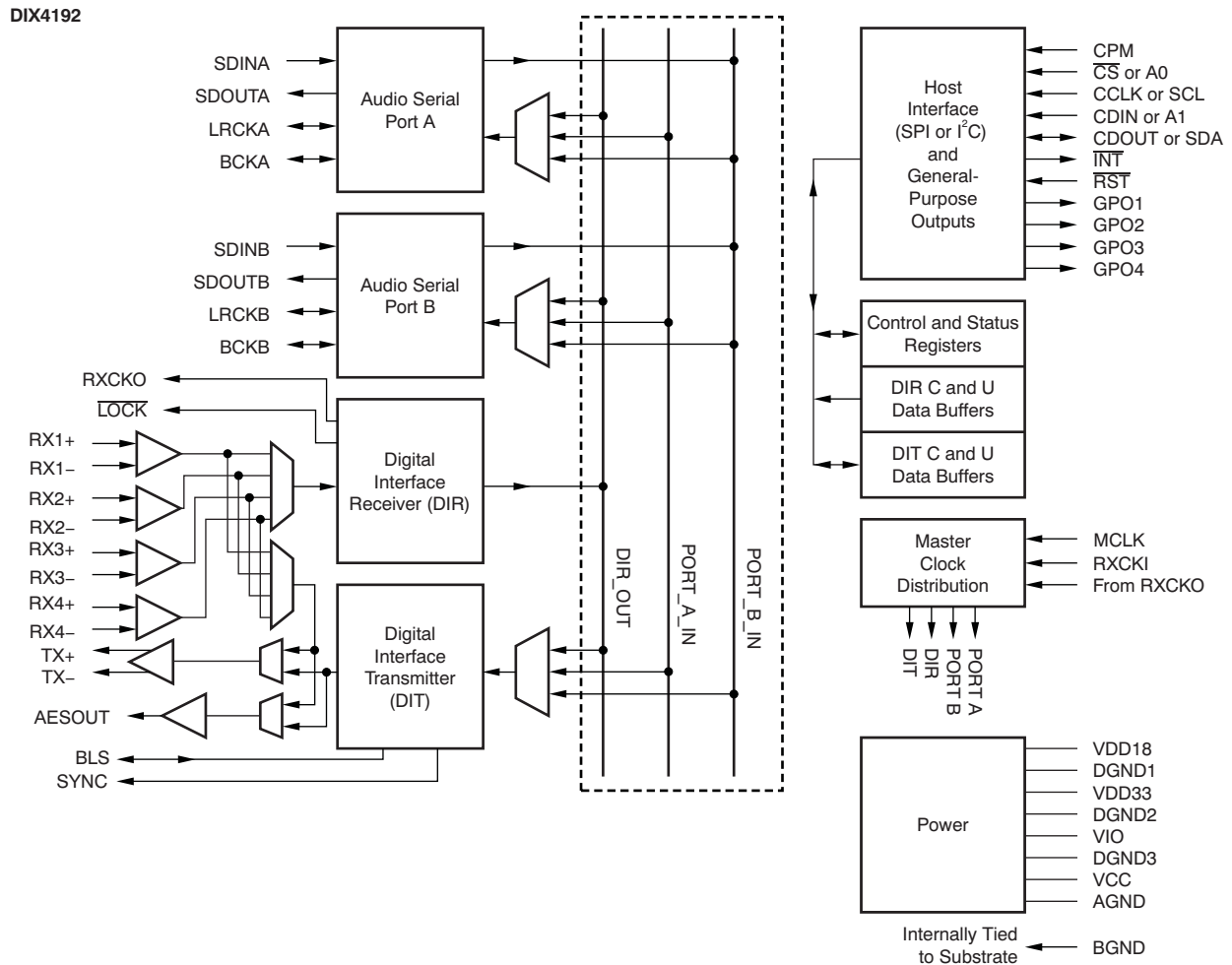
The DIR core decodes the selected input stream data and separates the audio, channel status, user, validity, and parity data. Channel status and user data is stored in block-sized buffers, which may be accessed through the SPI or I²C serial host interface, or routed directly to the general-purpose output pins (GPO1 through GPO4). The validity and parity bits are processed to determine error status. The DIR core recovers a low jitter master clock, which may be used to generate word and bit clocks using on-chip or external logic circuitry.

The digital interface transmitter (DIT) encodes digital audio input data into an AES3-formatted output data stream. Two DIT outputs are provided, including a differential line driver and a CMOS output buffer. Both the line driver and buffer include 1-of-2 input data selectors, which are used to choose either the output of the DIT AES3 encoder, or the output of the bypass multiplexer. The line driver output is suitable for balanced or unbalanced cable interfaces, while the CMOS output buffer supports interfacing to optical transmitter modules and external logic or line drivers. The DIT includes block-sized data buffers for both channel status and user data. These buffers are accessed through either the SPI or I²C host interface, or may be loaded directly from the DIR channel status and user data buffers.

The DIX4192 includes four general-purpose digital outputs, or GPO pins. The GPO pins may be configured as simple logic outputs, which may be programmed to either a low or high state. Alternatively, the GPO pins may be connected to one of 13 internal logic nodes, allowing them to serve as functional, status, or interrupt outputs. The GPO pins provide added utility in applications where hardware access to selected internal logic signals may be necessary.

[Functional Block Diagram](#) shows a simplified functional block diagram for the DIX4192. Additional details for each function block will be covered in respective sections of this data sheet.

9.2 Functional Block Diagram



9.3 Feature Description

9.3.1 RESET Operation

The DIX4192 includes an asynchronous active low reset input, $\overline{\text{RST}}$ (pin 24), which may be used to initialize the internal logic at any time. The reset sequence forces all registers and buffers to their default settings. The reset low pulse width must be a minimum of 500 ns in length. The user must not attempt a write or read operation using either the SPI or I²C port for at least 500 μs after the rising edge of $\overline{\text{RST}}$. See [Figure 6](#) for the reset timing sequence of the DIX4192.

In addition to reset input, the RESET bit in control register 0x01 may be used to force an internal reset, whereby all registers and buffers are forced to their default settings. Refer to [Control Registers](#) for details regarding the RESET bit function.

Upon reset initialization, all functional blocks of the DIX4192 default to the power-down state, with the exception of the SPI or I²C host interface and the corresponding control registers. The user may then program the DIX4192 to the desired configuration, and release the desired function blocks from the power-down state using the corresponding bits in control register 0x01.

Feature Description (continued)

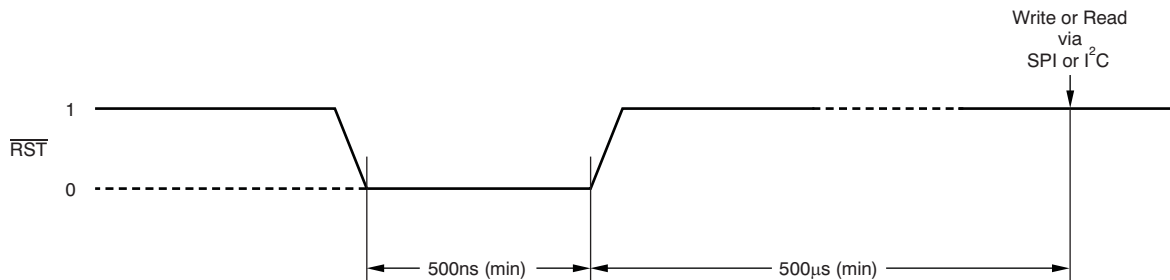


Figure 6. Reset Sequence Timing

9.3.2 Master and Reference Clocks

The DIX4192 includes two clock inputs, MCLK (pin 25) and RXCKI (pin 13). The MCLK clock input is typically used as the master clock source for the audio serial ports and/or the DIT. The MCLK may also be used as the reference clock for the DIR. The RXCKI clock input is typically used for the DIR reference clock source, although it may also be used as the master or reference clock source for the audio serial ports.

In addition to the MCLK and RXCKI clock sources, the DIR core recovers a master clock from the AES3-encoded input data stream. This clock is suitable for use as a master or system clock source in many applications. The recovered master clock output, RXCKO (pin 12), may be used as the master or reference clock source for the audio serial ports and the DIT, as well as external audio devices.

The master clock frequency for the audio serial ports (Port A and Port B) depends on the Slave or Master mode configuration of the port. In Slave mode, the ports do not require a master clock because the left/right word and bit clocks are inputs, sourced from an external audio device serving as the serial bus timing master. In Master mode, the serial ports derive the left/right word and bit clock outputs from the selected master clock source, MCLK, RXCKI, or RXCKO. The left/right word clock rate is derived from the selected master clock source using one of four clock divider settings (divide by 128, 256, 384, or 512). Refer to [Audio Serial Port Operation](#) for additional details.

The DIT always requires a master clock source, which may be either the MCLK input, or the DIR recovered clock output, RXCKO. Like the audio serial ports, the DIT output frame rate is derived from the selected master clock using one of four clock divider settings (divide-by-128, -256, -384, or -512). Refer to [Digital Interface Transmitter \(DIT\) Operation](#) for additional details.

The DIR reference clock may be any frequency that meets the PLL1 set-up requirements, described in [Control Registers](#). Typically, a common audio system clock rate, such as 11.2896 MHz, 12.288 MHz, 22.5792 MHz, or 24.576 MHz, may be used for this clock.

TI recommends that the clock sources for MCLK and RXCKI input be generated by low-jitter crystal oscillators for optimal performance. In general, phase-locked loop (PLL) clock synthesizers must be avoided, unless they are designed or specified for low clock jitter.

Feature Description (continued)

9.3.3 Audio Serial Port Operation

The DIX4192 includes two audio serial ports, Port A and Port B. Both ports are 4-wire synchronous serial interfaces, supporting simultaneous input and output operation. Because each port has only one pair of left or right word and bit clocks, the input and output sampling rates are identical. A simplified block diagram is shown in Figure 7.

The audio serial ports may be operated at sampling rates up to 216 kHz, and support audio data word lengths up to 24 bits. Philips I²S, Left-Justified, and Right-Justified serial data formats are supported. Refer to Figure 8.

The left or right word clock (LRCKA or LRCKB) and the bit clock (BCKA or BCKB) may be configured for either Master or Slave mode operation. In Master mode, these clocks are outputs, derived from the selected master clock source using internal clock dividers. The master clock source may be 128, 256, 384, or 512 times the audio input/output sampling rate, with the clock divider being selected using control register bits for each port. In Slave mode the left or right word and bit clocks are inputs, and are sourced from an external audio device acting as the serial bus master.

The LRCKA or LRCKB clocks operate at the input and output sampling rate, f_s . The BCKA and BCKB clock rates are fixed at 64 times the left or right word clock rate in Master mode. For Slave mode, the minimum BCKA and BCKB clock rate is determined by the audio data word length multiplied by two, because there are two audio data channels per left or right word period. For example, if the audio data word length is 24 bits, the bit clock rate must be at least 48 times the left or right word clock rate, allowing one bit clock period for each data bit in the serial bit stream.

Serial audio data is clocked into the port on the rising edge of the bit clock, while data is clocked out of the port on the falling edge of the bit clock. Refer to the Audio Serial Ports section of the *Electrical Characteristics* table for parametric information and Figure 1 for a timing diagram related to audio serial port operation.

The audio serial ports are configured using control registers 0x03 through 0x06. Refer to *Control Registers* for descriptions of the control register bits.

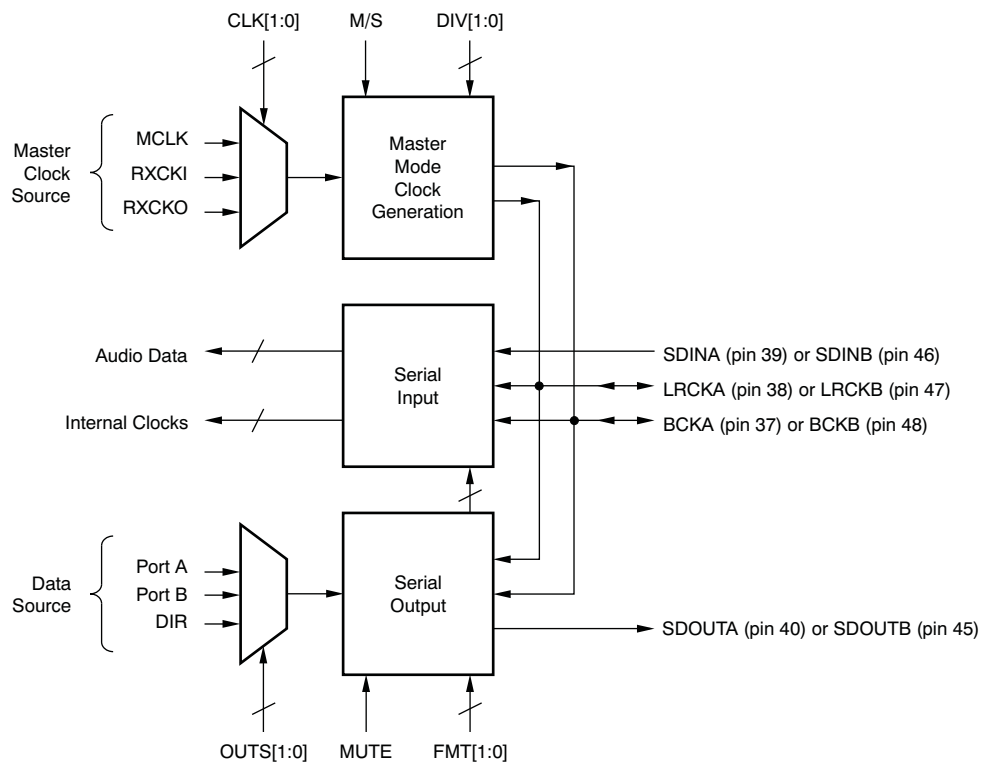


Figure 7. Audio Serial Port Block Diagram

Feature Description (continued)

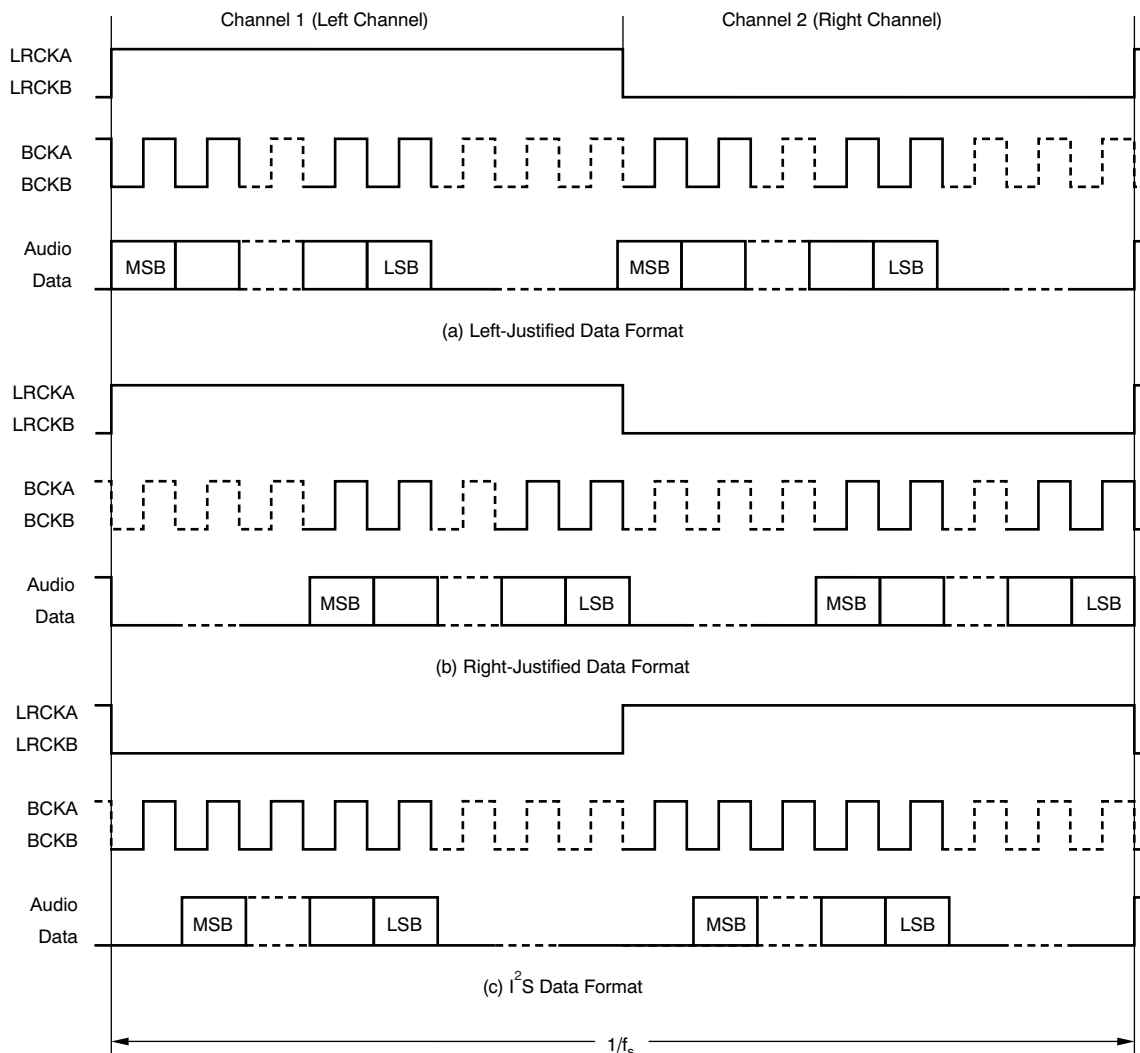


Figure 8. Audio Data Formats

9.3.4 Overview of the AES3 Digital Audio Interface Protocol

This section introduces the basics of digital audio interface protocols pertaining to the transmitter (DIT) and receiver (DIR) blocks of the DIX4192. Emphasis is placed upon defining the basic terminology and characteristics associated with the AES3-2003 standard protocol, the principles of which may also be applied to a number of consumer-interface variations, including S/PDIF, IEC-60958, and EIAJ CP-1201. It is assumed that the reader is familiar with the AES3 and S/PDIF interface formats. Additional information is available from the sources listed in the [Development Support](#) section.

The AES3-2003 standard defines a technique for two-channel linear PCM data transmission over 110-Ω shielded twisted-pair cable. The AES-3id document extends the AES3 interface to applications employing 75-Ω coaxial cable connections. In addition, consumer transmission variants, such as those defined by the S/PDIF, IEC 60958, and CP-1201 standards, use the same encoding techniques but with different physical interfaces or transmission media. Channel status data definitions also vary between professional and consumer interface implementations.

Feature Description (continued)

For AES3 transmission, data is encoded into frames, with each frame containing two subframes of audio and status data, corresponding to audio Channels 1 and 2 (or Left and Right, respectively, for stereophonic audio). [Figure 9](#) shows the AES3 frame and subframe formatting. Each subframe includes four bits for the preamble, up to 24 bits for audio and/or auxiliary data, one bit indicating data validity (V), one bit for channel status data (C), one bit for user data (U), and one bit for setting parity (P).

The 4-bit preamble is used for synchronization and identification of blocks and subframes. The X and Y preamble codes are used to identify the start of the Channel 1 and Channel 2 subframes, as shown in [Figure 9](#). However, the X preamble for the first subframe of every 192 frames is replaced by the Z preamble, which identifies the start of a new block of channel status and user data.

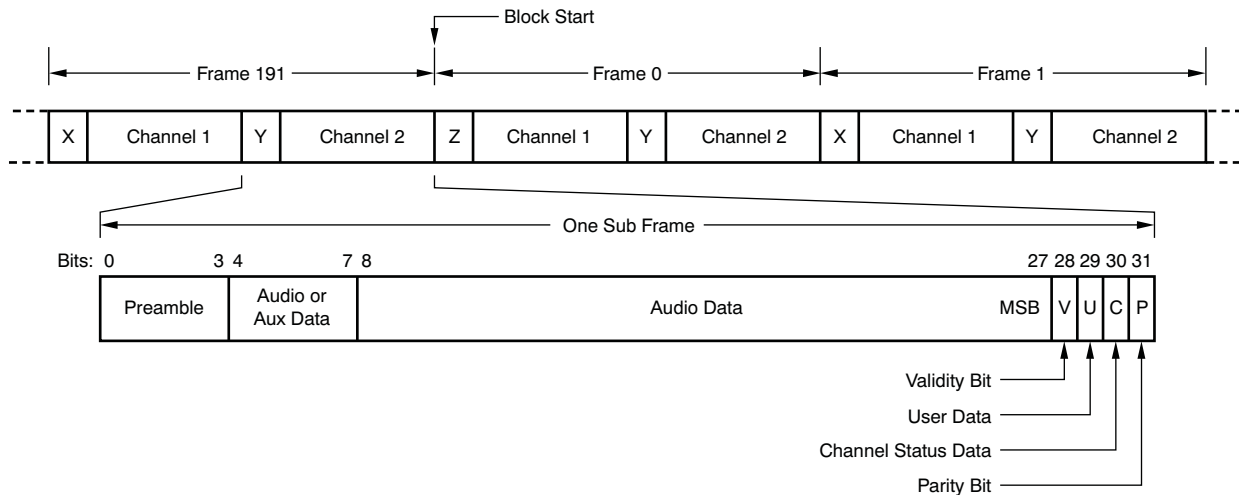


Figure 9. AES3 Frame and Subframe Encoding

One block is comprised of 192 frames of data. This format translates to 192 bits each for channel status and user data for each channel. The 192 bits are organized into 24 data bytes, which are defined by the AES3-2003 and consumer standards documents. The AES18 standard defines recommended usage and formatting of the user data bits, while consumer applications may use the user data for other purposes. The DIX4192 also includes block-sized transmitter and receiver channel status and user data buffers, which have 24 bytes each for the channel status and user data assigned to audio Channels 1 and 2. Refer to [Channel Status and User Data Buffer Maps](#) for the organization of the buffered channel status and user data for the receiver and transmitter functions.

The audio data for Channel 1 and Channel 2 may be up to 24 bits in length, and occupies bits 4 through 27 of the corresponding subframe. Bit 4 is the LSB while bit 27 is the MSB. If only 20 bits are required for audio data, then bits 8 through 27 are used for audio data, while bits 4 through 7 are used for auxiliary data bits.

The validity (V) bit indicates whether or not the audio sample word being transmitted is suitable for digital-to-analog (D/A) conversion or further digital processing at the receiver end of the connection. If the validity bit is 0, then the audio sample is suitable for conversion or additional processing. If the validity bit is 1, then the audio sample is not suitable for conversion or additional processing.

The parity (P) bit is set to either a 0 or 1, such that bits 4 through 31 carry an even number of ones and zeros for even parity. The DIT block in the DIX4192 automatically manages the parity bit, setting it to a 0 or 1 as required. The DIR block checks the parity of bits 4 through 31 and generates a parity error if odd parity is detected.

Feature Description (continued)

The binary non-return to zero (NRZ) formatted audio and status source data for bits 4 through 31 of each subframe are encoded using a Biphasic Mark format for transmission. This format allows for clock recovery at the receiver end, as well as making the interface insensitive to the polarity of the balanced cable connections. The preambles at the start of each subframe are encoded to intentionally violate the Biphasic Mark formatting, making their detection by the receiver reliable, as well as avoiding the possibility of audio and status data imitating the preambles. Figure 10 shows the Biphasic Mark and preamble encoding.

Although the AES3 standard originally defined transmission for sampling rates up to 48 kHz, the interface is capable of handling higher sampling rates, given that attention is paid to cable length and impedance matching. Equalization at the receiver may also be required, depending on the cable and matching factors. It is also possible to transmit and decode more than two channels of audio data using the AES3 or related consumer interfaces. Special encoding and compression algorithms are used to support multiple channels, including the Dolby® AC-3, DTS, MPEG-1/2, and other data reduced audio formats.

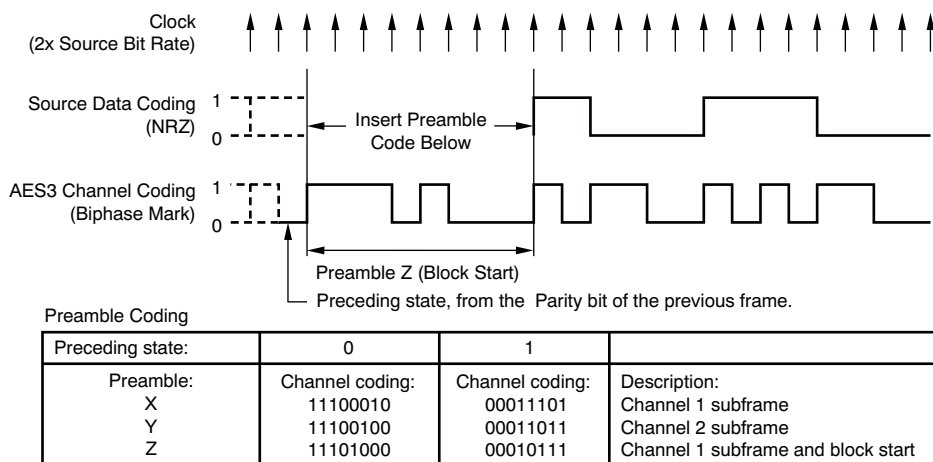


Figure 10. Biphasic Mark Encoding

9.3.5 Digital Interface Transmitter (DIT) Operation

The DIT encodes a given two-channel or data-reduced audio input stream into an AES3-encoded output stream. In addition to the encoding function, the DIT includes differential line driver and CMOS-buffered output functions. The line driver is suitable for driving balanced or unbalanced line interfaces, while the CMOS-buffered output is designed to drive external logic or line drivers, as well as optical transmitter modules. Figure 11 shows the functional block diagram for the DIT.

The input of the DIT receives the audio data for Channels 1 and 2 from one of three possible sources: Port A, Port B, or the DIR. By default Port A is selected as the source. The DIT also requires a master clock source, which may be provided by either the MCLK input (pin 25) or RXCKO (the DIR recovered master clock output). A master clock divider is used to select the frame rate for the AES3-encoded output data. The TXDIV[1:0] bits in control register 0x07 are used to select divide by 128, 256, 384, or 512 operation.

Channel status and user data for Channels 1 and 2 are input to the AES3 encoder through the corresponding Transmitter Access (TA) data buffers. The TA data buffers are in turn loaded from the User Access (UA) buffers, which are programmed through the SPI or I²C host interface, or loaded from the DIR Receiver Access (RA) data buffers. The source of the channel status and user data is selected using the TXCUS[1:0] bits in control register 0x09. When the DIR is selected as the input source, the channel status and user data output from the DIT is delayed by one block in relation to the audio data.

The validity (V) bit may be programmed using one of two sources. The VALSEL bit in control register 0x09 is used to select the validity data source for the DIT block. The default source is the VALID bit in control register 0x07, which is written through the SPI or I²C host interface. The validity bit may also be transferred from the AES3 decoder output of the DIR, where the V bit for the DIT subframes tracks the decoded DIR value frame by frame.

Feature Description (continued)

The Parity (P) bit will always be generated by the AES3 encoder internal parity generator logic, such that bits 4 through 31 of the AES3-encoded subframe are even parity.

The AES3 encoder output is connected to the output line driver and CMOS buffer source multiplexers. As shown in Figure 11, the source multiplexers allow the line driver or buffer to be driven by the AES3-encoded data from the DIT, or by the bypass multiplexer, which is associated with the outputs of the four differential input line receivers preceding the DIR core. The bypass multiplexer allows for one of the four line receiver outputs to be routed to the line driver or buffer output, thereby providing a bypass mode of operation. Both the line driver and CMOS output buffer include output disables, set by the TXOFF and AESOFF bits in control register 0x08. When the outputs are disabled, they are forced to a low logic state.

The AES3 encoder includes an output mute function that sets all bits for both the Channel 1 and 2 audio and auxiliary data to zero. The preamble, V, U, and C bits are unaffected, while the P bit is recalculated. The mute function is controlled using the TXMUTE bit in control register 0x08.

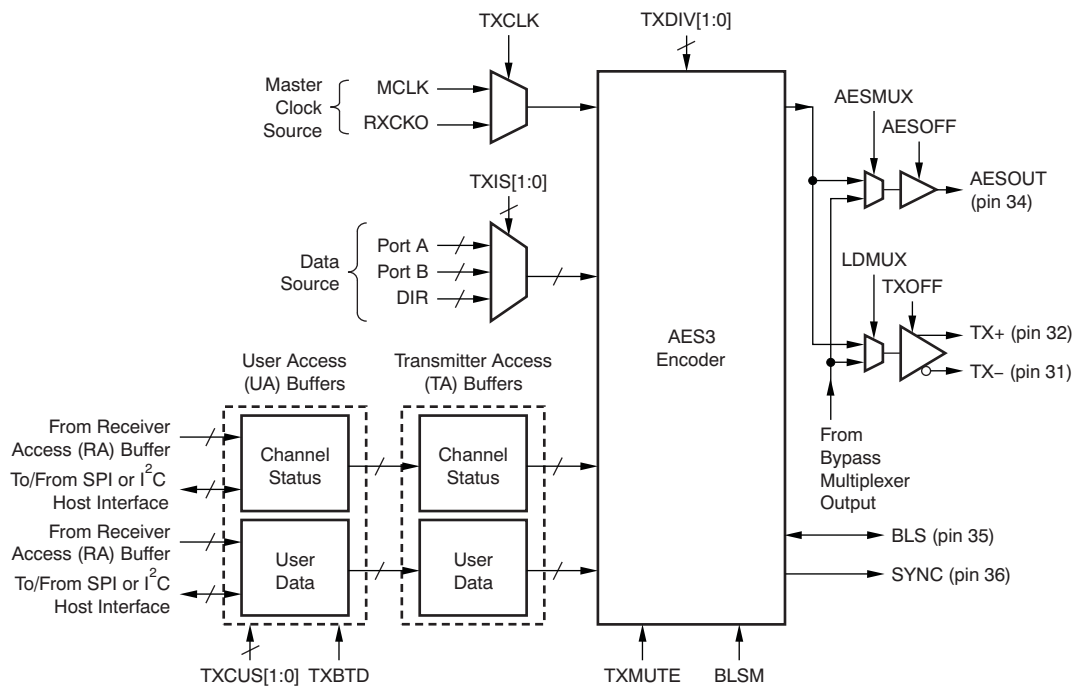


Figure 11. Digital Interface Transmitter (DIT) Functional Block Diagram

The AES3 encoder includes a block start input/output pin, BLS (pin 35). The BLS pin may be programmed as an input or output. The input/output state of the BLS pin is programmed using the BLSM bit in control register 0x07. By default, the BLS pin is configured as an input.

As an input, the BLS pin may be used to force a block start condition, whereby the start of a new block of channel status and user data is initiated by generating a Z preamble for the next frame of data. The BLS input must be synchronized with the DIT internal SYNC clock. This clock is output on SYNC (pin 36). The SYNC clock rising edge is aligned with the start of each frame for the AES3-encoded data output by the DIT. Figure 12 shows the format required for an external block start signal, as well as indicating the format when the BLS pin is configured as an output. When the BLS pin is an output, the DIT generates the block start signal based upon the internal SYNC clock.

For details regarding DIT control and status registers, as well as channel status and user data buffers, refer to [Control Registers](#) and [Channel Status and User Data Buffer Maps](#).

Feature Description (continued)

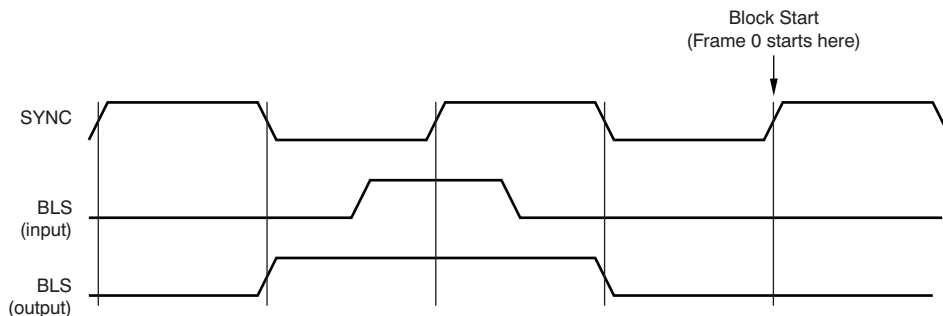


Figure 12. DIT Block Start Timing

9.3.6 Digital Interface Receiver (DIR) Operation

The DIR performs AES3 decoding and clock recovery and provides the differential line receiver functions. The lock range of the DIR includes frame and sampling rates from 20 kHz to 216 kHz. Figure 13 shows the functional block diagram for the DIR.

Four differential line receivers are used for signal conditioning the encoded input data streams. The receivers can be externally configured for either balanced or unbalanced cable interfaces, as well as interfacing with CMOS logic level inputs from optical receivers or external logic circuitry. See Figure 14 for a simplified schematic for the line receiver. External connections are discussed in Receiver Input Interfacing.

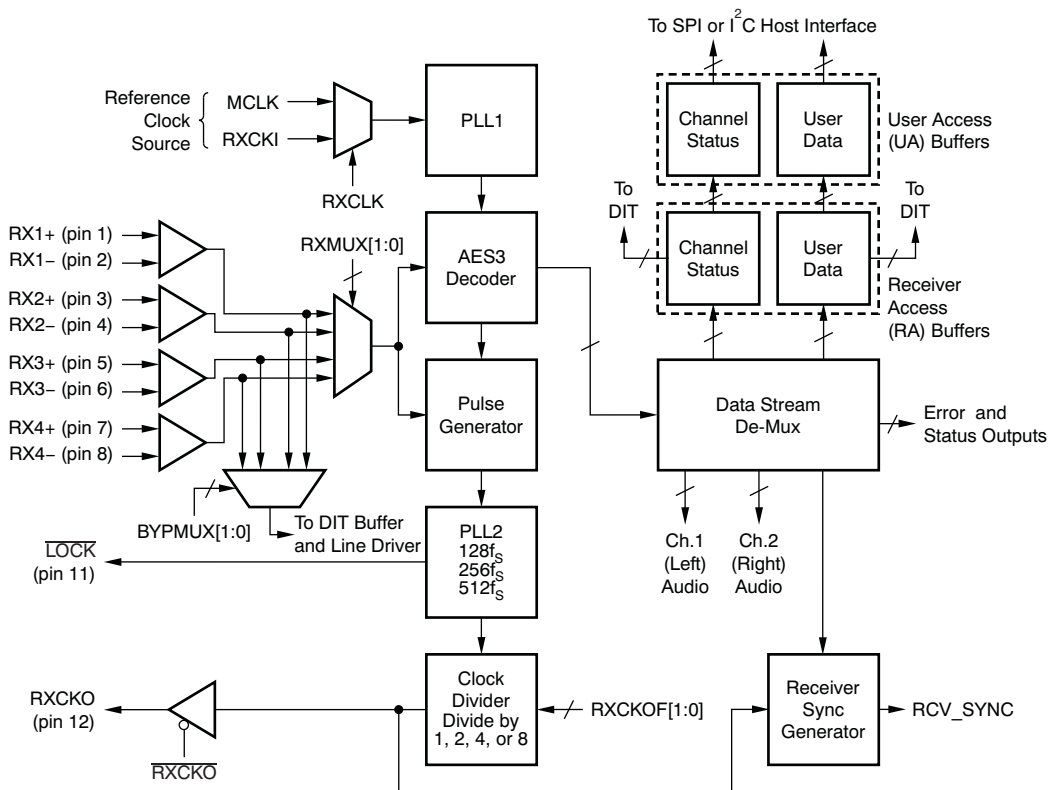


Figure 13. Digital Interface Receiver (DIR) Functional Block Diagram

Feature Description (continued)

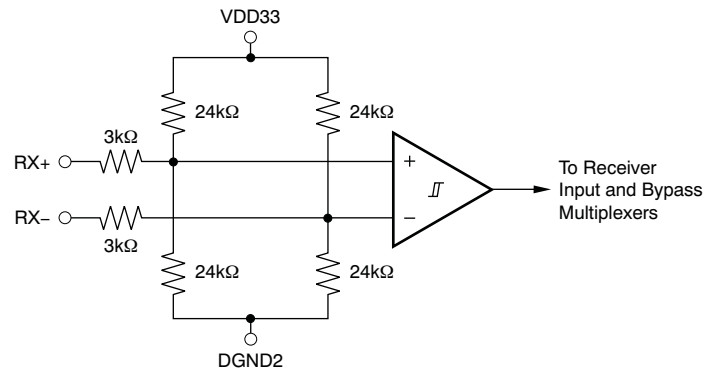


Figure 14. Differential Line Receiver Circuit

The outputs of the four line receivers are connected to two 1-of-4 data selectors: the receiver input multiplexer and the bypass multiplexer. The input multiplexer selects one of the four line receiver outputs as the source for the AES3-encoded data stream to be processed by the DIR core. The bypass multiplexer is used to route a line receiver output to either the DIT line driver or CMOS-buffered outputs, thereby bypassing all other internal circuitry. The bypass function is useful for simple signal distribution and routing applications.

The DIR requires a reference clock, supplied by an external source applied at either the RXCKI (pin 13) or MCLK (pin 25) clock inputs. PLL1 multiplies the reference clock to a higher rate, which is used as the oversampling clock for the AES3 decoder. The decoder samples the AES3-encoded input stream in order to extract all of the audio and status data. The decoded data stream is sent on to a de-multiplexer, where audio and status data are separated for further processing and buffering. The pulse generator circuitry samples the encoded input data stream and generates a clock that is 16 times the frame/sampling rate (or f_S). The $16 f_S$ clock is then processed by PLL2, which further multiplies the clock rate and provides low-pass filtering for jitter attenuation. The available PLL2 output clock rates include $512 f_S$, $256 f_S$, and $128 f_S$. The maximum available PLL2 output clock rate for a given input sampling rate is estimated by internal logic and made available for readback through status register 0x13.

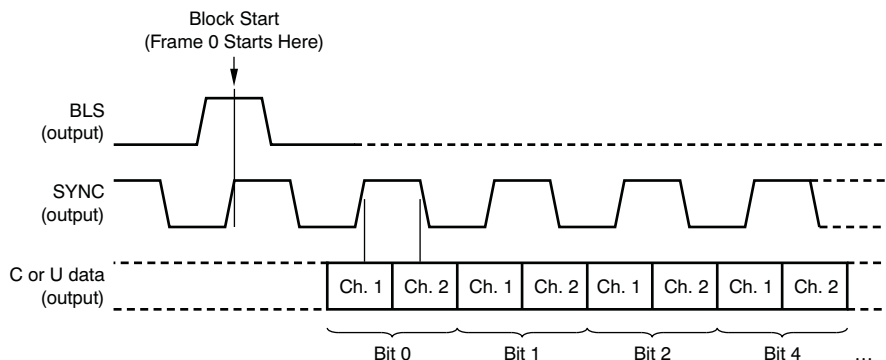
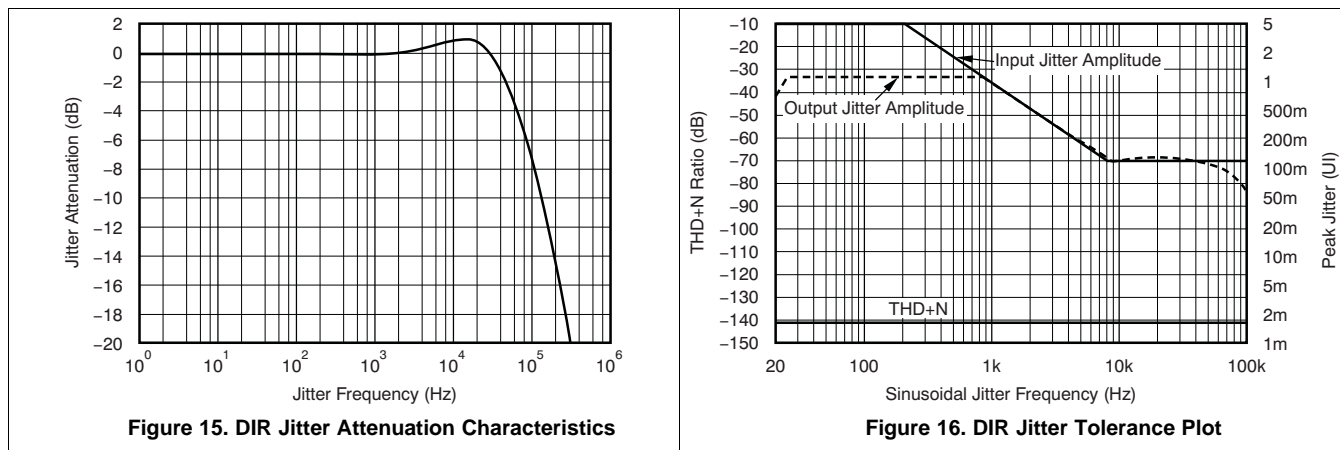
The output of PLL2 may be divided by a factor of two, four, or eight, or simply passed through to the recovered master clock output, RXCKO (pin 12). The RXCKO clock may also be routed internally to other function blocks, where it may be further divided to create left/right word and bit clocks. The RXCKO output may be disabled and forced to a high-impedance state by means of a control register bit, allowing other tri-state buffered clocks to be tied to the same external circuit node, if required. By default, the RXCKO output (pin 12) is disabled and forced to a high-impedance state.

Figure 15 shows the frequency response of PLL2. Jitter attenuation starts at approximately 50 kHz. Peaking is nominally 1 dB, which is within the 2 dB maximum allowed by the AES3 standard. The receiver jitter tolerance plot for the DIR is shown in Figure 16, along with the required AES3 jitter tolerance template. The DIR jitter tolerance satisfies the AES3 requirements, as well as the requirements set forth by the IEC60958-3 specification. Figure 16 was captured using a full-scale 24-bit, two-channel, AES3-encoded input stream with a 48kHz frame rate.

The decoded audio data, along with the internally-generated sync clocks, may be routed to other function blocks, including Port A, Port B, and the DIT. The decoded channel status and user data are buffered in the corresponding Receiver Access (RA) data buffers, then transferred to the corresponding User Access (UA) data buffers, where it may be read back through either the SPI or I²C serial host interface. The contents of the RA buffers may also be transferred to the DIT UA data buffers; this transfer is shown in Figure 11. The channel status and user data bits may also be output serially through the general-purpose output pins, GPO[4:1]. Figure 17 shows the output format for the GPO pins when used for this purpose, along with the DIR block start (BLS) and frame synchronization (SYNC) clocks. The rising edges of the DIR SYNC clock output are aligned with the start of each frame for the received AES3 data.

Feature Description (continued)

The DIR includes a dedicated, active low AES3 decoder and PLL2 lock output, named $\overline{\text{LOCK}}$ (pin 11). The lock output is active only when both the AES3 decoder and PLL2 indicate a lock condition. Additional DIR status flags may be output at the general-purpose output (GPO) pins, or accessed through the status registers through the SPI or I²C host interface. Refer to [General-Purpose Digital Outputs](#) and [Control Registers](#) for additional information regarding the DIR status functions.



Feature Description (continued)

9.3.7 General-Purpose Digital Outputs

The DIX4192 includes four general-purpose digital outputs, GPO1 through GPO4 (pins 26 through 29, respectively). A GPO pin may be programmed to a static high or low state. Alternatively, a GPO pin may be connected to one of 13 internal logic nodes, allowing the GPO pin to inherit the function of the selected signal. Control registers 0x1B through 0x1E are used to select the function of the GPO pins. For details regarding GPO output configuration, refer to [Control Registers](#). [Table 1](#) summarizes the available output options for the GPO pins.

Table 1. General-Purpose Output Pin Configurations

GPOn3	GPOn2	GPOn1	GPOn0	GPOn FUNCTION
0	0	0	0	GPOn is forced low (default)
0	0	0	1	GPOn is forced high
0	0	1	0	Reserved
0	0	1	1	DIT interrupt flag; active low
0	1	0	0	DIR interrupt flag; active low
0	1	0	1	DIR 50/15- μ s emphasis flag; active low
0	1	1	0	DIR non-audio data flag; active high
0	1	1	1	DIR non-valid data flag; active high
1	0	0	0	DIR channel status data serial output
1	0	0	1	DIR user data serial output
1	0	1	0	DIR block start clock output
1	0	1	1	DIR COPY bit output (0 = copyright asserted, 1 = copyright not asserted)
1	1	0	0	DIR L (or origination) bit output (0 = 1st generation or higher, 1 = original)
1	1	0	1	DIR Parity error flag; active high
1	1	1	0	DIR internal sync clock output; may be used as the data clock for the channel status and user data serial outputs.
1	1	1	1	DIT internal sync clock

9.3.8 Interrupt Output

The DIX4192 includes multiple internal status bits, many of which may be set to trigger an interrupt signal. The interrupt signal is output at $\overline{\text{INT}}$ (pin 23), which is an active low, open-drain output. The $\overline{\text{INT}}$ pin requires a pullup resistor to the VIO supply rail. The value of the pullup is not critical, but a 10-k Ω device must be sufficient for most applications. [Figure 18](#) shows the interrupt output pin connection. The open-drain output allows interrupt pins from multiple DIX4192 devices to be connected in a wired OR configuration.

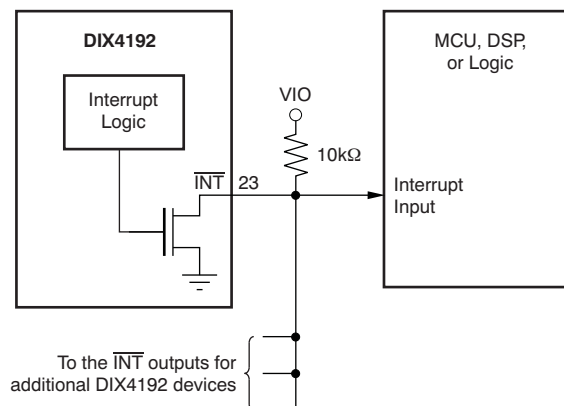


Figure 18. Interrupt Output Pin Connections

9.4 Device Functional Modes

9.4.1 Host Interface Operation: Serial Peripheral Interface (SPI) Mode

The DIX4192 supports a 4-wire SPI port when the CPM input (pin 18) is forced low or tied to ground. The SPI port supports high-speed serial data transfers up to 40 Mbps. Register and data buffer write and read operations are supported.

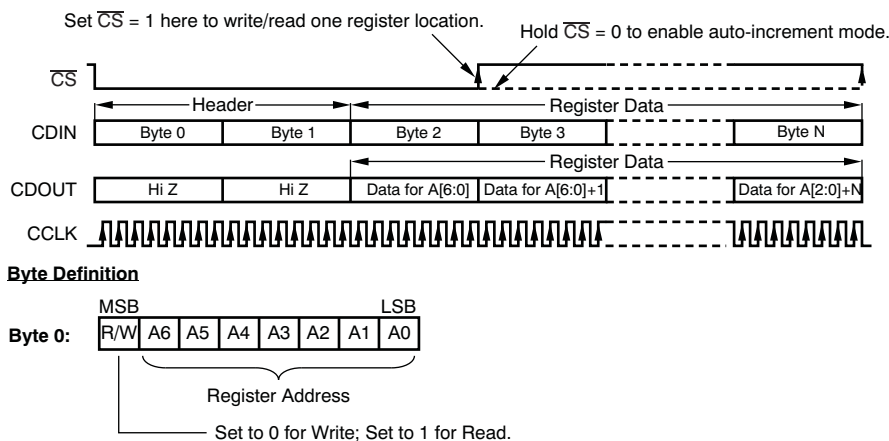
The \overline{CS} input (pin 19) serves as the active low chip select for the SPI port. The \overline{CS} input must be forced low in order to write or read registers and data buffers. When \overline{CS} is forced high, the data at the CDIN input (pin 21) is ignored, and the CDOUT output (pin 22) is forced to a high-impedance state. The CDIN input serves as the serial data input for the port; the CDOUT output serves as the serial data output.

The CCLK input (pin 20) serves as the serial data clock for both the input and output data. Data is latched at the CDIN input on the rising edge of CCLK, while data is clocked out of the CDOUT output on the falling edge of CCLK.

Figure 19 shows the SPI port protocol. Byte 0 is referred to as the command byte, where the most significant bit (or MSB) is the read/write bit. For the R/W bit, a 0 indicates a write operation, while a 1 indicates a read operation. The remaining seven bits of the command byte are used for the register address targeted by the write or read operation. Byte 1 is a *don't care* byte, and may be set to all zeroes. This byte is included in order to retain protocol compatibility with earlier Texas Instruments digital audio interface and sample rate converter products, including the DIT4096, DIT4192, the SRC418x series devices, and the SRC419x series devices.

The SPI port supports write and read operations for multiple sequential register addresses through the implementation of an auto-increment mode. As shown in Figure 19, the auto-increment mode is invoked by simply holding the \overline{CS} input low for multiple data bytes. The register address is automatically incremented after each data byte transferred, starting with the address specified by the command byte.

Refer to the SPI section of the *Electrical Characteristics* table and Figure 2 for specifications and a timing diagram that highlight the key parameters for SPI operation.



Byte 1: Don't Care

Byte 2 through Byte N: Register Data

Figure 19. Serial Peripheral Interface (SPI) Protocol for the DIX4192

Device Functional Modes (continued)

9.4.2 Host Interface Operation: PHILIPS I²C Mode

The DIX4192 supports a 2-wire Philips I²C bus interface when CPM (pin 18) is forced high or pulled up to the VIO supply rail. The DIX4192 functions as a Slave-only device on the bus. Standard and Fast modes of operation are supported. Standard mode supports data rates up to 100 kbps, while Fast mode supports data rates up to 400 kbps. Fast mode is downward compatible with Standard mode, and these modes are sometimes referred to as Fast/Standard, or F/S mode. The I²C Bus Specification (Version 2.1, January 2000), available from Philips Semiconductor, provides the details for the bus protocol and implementation. It is assumed that the reader is familiar with this specification. Refer to the I²C Standard and Fast Modes section of the [Electrical Characteristics](#) table and [Figure 3](#) for specifications and a timing diagram that highlight the key parameters for I²C interface operation.

When the I²C mode is invoked, pin 20 becomes SCL (which serves as the bus clock) and pin 22 becomes SDA (which carries the bi-directional serial data for the bus). Pins 19 and 21 become A0 and A1, respectively, and function as the hardware configurable portion of the 7-bit slave address.

The DIX4192 uses a 7-bit Slave address; see [Figure 20\(a\)](#). Bits A2 through A6 are fixed and bits A0 and A1 are hardware programmable using pins 19 and 21, respectively. The programmable bits allow for up to four DIX4192 devices to be connected to the same bus. The slave address is followed by the Register Address Byte, which points to a specific register or data buffer location in the DIX4192 register map. The register address byte is comprised of seven bits for the address, and one bit for enabling or disabling auto-increment operation; see [Figure 20\(b\)](#). Auto-increment mode allows multiple sequential register locations to be written to or read back in a single operation, and is especially useful for block write and read operations.

[Figure 21](#) shows the protocol for Standard and Fast mode Write operations. When writing a single register address, or multiple non-sequential register addresses, the single register write operation of [Figure 21\(a\)](#) may be used one or more times. When writing multiple sequential register addresses, the auto-increment mode of [Figure 21\(b\)](#) improves efficiency. The register address is automatically incremented by one for each successive byte of data transferred.

[Figure 22](#) shows the protocol for Standard and Fast mode Read operations. The current address read operation of [Figure 22\(a\)](#) assumes the value of the register address from the previously executed write or read operation, and is useful for polling a register address for status changes. [Figure 22\(b\)](#) and [Figure 22\(c\)](#) show read operations for one or more random register addresses, with or without auto-increment mode enabled.

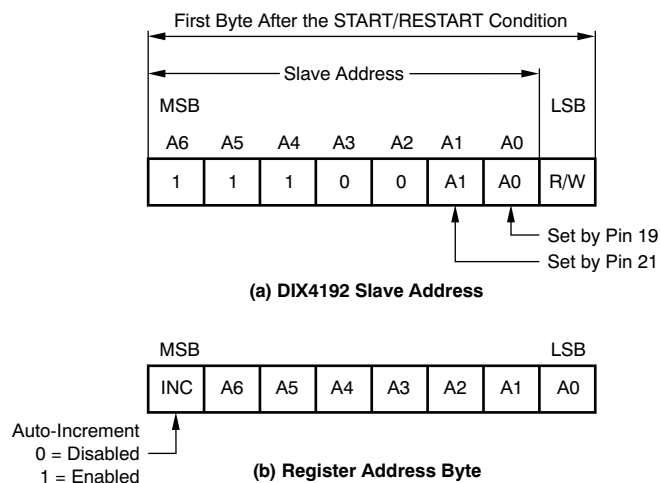


Figure 20. DIX4192 Slave Address and Register Address Byte Definitions

Device Functional Modes (continued)

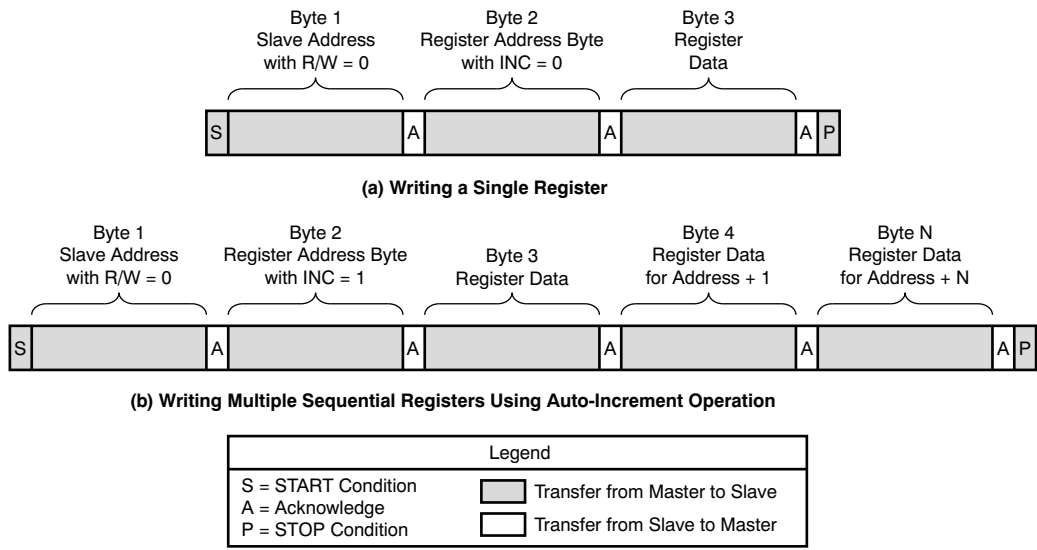


Figure 21. Fast and Standard Mode Write Operations

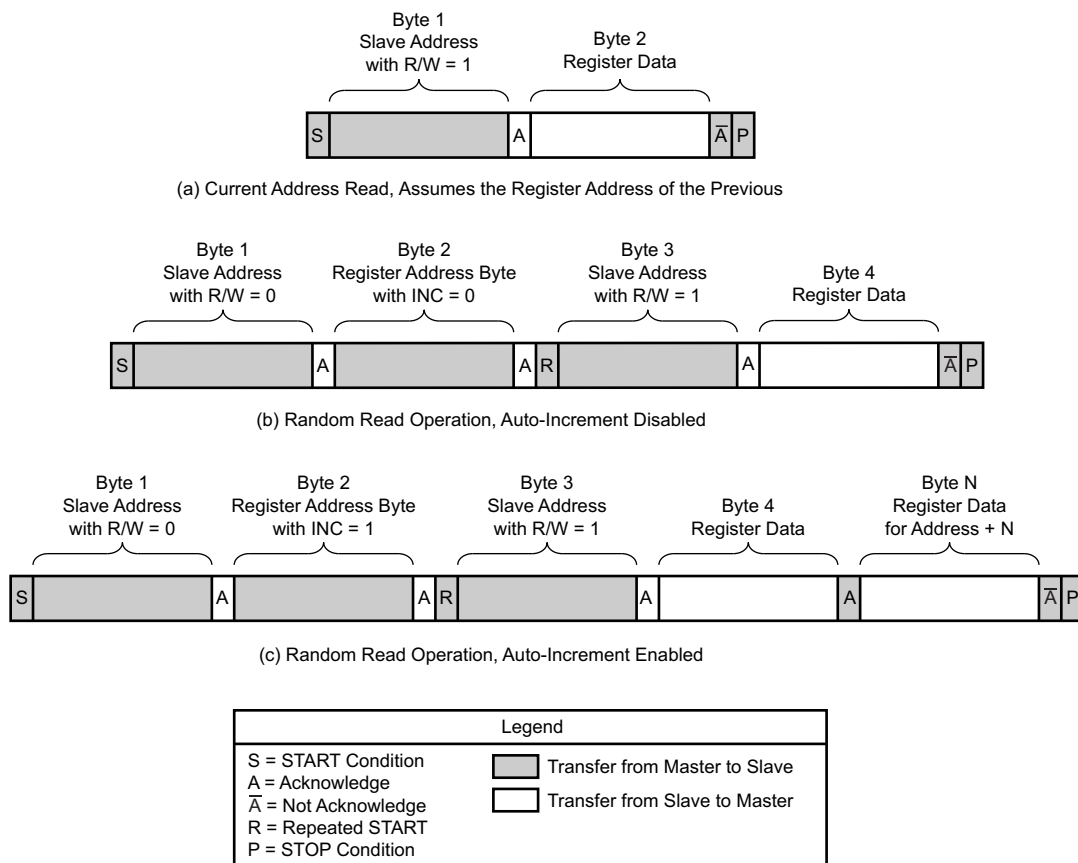


Figure 22. Fast and Standard Mode Read Operations

9.5 Register Maps

9.5.1 Register and Data Buffer Organization

The DIX4192 organizes the on-chip registers and data buffers into four pages. The currently active page is chosen by programming the Page Selection Register to the desired page number. The Page Selection Register is available on every register page at address 0x7F, allowing easy movement between pages. [Table 2](#) indicates the page selection corresponding to the Page Selection Register value.

Table 2. Register Page Selection

Page Selection Register Value (Hex)	Selected Register Page
00	Page 0, control and status registers
01	Page 1, DIR channel status and user data buffers
02	Page 2, DIT channel status and user data buffers
03	Page 3, reserved

Register Page 0 contains the control registers used to configure the various function blocks within the DIX4192. In addition, status registers are provided for flag and error conditions, with many of the status bits capable of generating an interrupt signal when enabled. See [Table 3](#) for the control and status register map.

Register Page 1 contains the digital interface receiver (or DIR) channel status and user data buffers. These buffers correspond to the data contained in the C and U bits of the previously received block of the AES3-encoded data stream. The contents of these buffers may be read through the SPI or I²C serial host interface and processed as required by the host system. See [Table 35](#) for the DIR channel status buffer map, and [Table 36](#) for the DIR user data buffer map.

Register Page 2 contains the digital interface transmitter (or DIT) channel status and user data buffers. These buffers correspond to the data contained in the C and U bits of the transmitted AES3-encoded data stream. The contents of these buffers may be written through the SPI or I²C serial host interface to configure the C and U bits of the transmitted AES3 data stream. The buffers may also be read for verification by the host system. See [Table 37](#) for the DIT channel status buffer map, and [Table 38](#) for the DIT user data buffer map.

Register Page 3 is reserved for factory test and verification purposes, and cannot be accessed without an unlock code. The unlock code remains private; the test modes disable normal operation of the device, and are not useful in customer applications.

9.5.2 Control Registers

See [Table 3](#) for the control and status register map of the DIX4192. Register addresses 0x00 and 0x2D through 0x7E are reserved for factory or future use. All register addresses are expressed as hexadecimal numbers. The following pages provide detailed descriptions for each control and status register.

Table 3. Control and Status Register Map (Register Page 0)

ADDRESS (Hex)	D7 (MSB)	D6	D5	D4	D3	D2	D1	D0	REGISTER GROUP
01	RESET	0	PDALL	PDPA	PDPB	PDTX	PDRX	0	Power-down and reset
02	0	0	0	0	0	TX	RX	0	Global interrupt status
03	0	AMUTE	AOUTS1	AOUTS0	AM/S	AFMT2	AFMT1	AFMT0	Port A control
04	0	0	0	0	ACLK1	ACLK0	ADIV1	ADIV0	Port A control
05	0	BMUTE	BOUTS1	BOUTS0	BM/S	BFMT2	BFMT1	BFMT0	Port B control
06	0	0	0	0	BCLK1	BCLK0	BDIV1	BDIV0	Port B control
07	TXCLK	TXDIV1	TXDIV0	TXIS1	TXIS0	BLSM	VALID	BSSL	Transmitter control
08	BYPMUX1	BYPMUX0	AESMUX	LDMUX	TXBTD	AESOFF	TXMUTE	TXOFF	Transmitter control
09	0	0	0	0	0	VALSEL	TXCUS1	TXCUS0	Transmitter control
0A	0	0	0	0	0	0	TSLIP	TBTI	DIT status
0B	0	0	0	0	0	0	MTSLIP	MTBTI	DIT interrupt mask
0C	0	0	0	0	TSLIPM1	TSLIPM0	TBTIM1	TBTIM0	DIT interrupt mode
0D	0	0	0	RXBTD	RXCLK	0	RXMUX1	RXMUX	Receiver control
0E	0	0	0	LOL	RXAMLL	RXCKOD1	RXCKOD0	RXCKOE	Receiver control
0F	P3	P2	P1	P0	J5	J4	J3	J2	Receiver PLL configuration
10	J1	J0	D13	D12	D11	D10	D9	D8	Receiver PLL configuration
11	D7	D6	D5	D4	D3	D2	D1	D0	Receiver PLL configuration
12	0	0	0	0	0	0	DTS CD/LD	IEC61937	Non-PCM audio detection
13	0	0	0	0	0	0	RXCKR1	RXCKR0	Receiver status
14	CSCRC	PARITY	VBIT	BPERR	QCHG	UNLOCK	QCRC	RBTI	Receiver status
15	0	0	0	0	0	0	0	OSLIP	Receiver status
16	MCSCRC	MPARITY	MVBIT	MBPERR	MQCHG	MUNLOCK	MQCRC	MRBTI	Receiver interrupt mask
17	0	0	0	0	0	0	0	MOSLIP	Receiver interrupt mask
18	QCHGM1	QCHGM0	UNLOCKM1	UNLOCKM0	QCRCM1	QCRCM0	RBTIM1	RBTIM0	Receiver interrupt mode
19	CSCRCM1	CSCRCM0	PARITYM1	PARITYM0	VBITM1	VBITM0	BPERRM1	BPERRM0	Receiver interrupt mode
1A	0	0	0	0	0	0	OSLIPM1	OSLIPM0	Receiver interrupt mode
1B	0	0	0	0	GPO13	GPO12	GPO11	GPO10	General-purpose out (GPO1)
1C	0	0	0	0	GPO23	GPO22	GPO21	GPO20	General-purpose out (GPO2)
1D	0	0	0	0	GPO33	GPO32	GPO31	GPO30	General-purpose out (GPO3)
1E	0	0	0	0	GPO43	GPO42	GPO41	GPO40	General-purpose out (GPO4)
1F	Q0	Q1	Q2	Q3	Q4	Q5	Q6	Q7	Audio CD Q-channel sub-code
20	Q8	Q9	Q10	Q11	Q12	Q13	Q14	Q15	Audio CD Q-channel sub-code
21	Q16	Q17	Q18	Q19	Q20	Q21	Q22	Q23	Audio CD Q-channel sub-code
22	Q24	Q25	Q26	Q27	Q28	Q29	Q30	Q31	Audio CD Q-channel sub-code
23	Q32	Q33	Q34	Q35	Q36	Q37	Q38	Q39	Audio CD Q-channel sub-code
24	Q40	Q41	Q42	Q43	Q44	Q45	Q46	Q47	Audio CD Q-channel sub-code
25	Q48	Q49	Q50	Q51	Q52	Q53	Q54	Q55	Audio CD Q-channel sub-code
26	Q56	Q57	Q58	Q59	Q60	Q61	Q62	Q63	Audio CD Q-channel sub-code
27	Q64	Q65	Q66	Q67	Q68	Q69	Q70	Q71	Audio CD Q-channel sub-code
28	Q72	Q73	Q74	Q75	Q76	Q77	Q78	Q79	Audio CD Q-channel sub-code
29	PC15	PC14	PC13	PC12	PC11	PC10	PC09	PC08	PC burst preamble, high byte
2A	PC07	PC06	PC05	PC04	PC03	PC02	PC01	PC00	PC burst preamble, low byte
2B	PD15	PD14	PD13	PD12	PD11	PD10	PD09	PD08	PD burst preamble, high byte
2C	PD07	PD06	PD05	PD04	PD03	PD02	PD01	PD00	PD burst preamble, low byte
7F	0	0	0	0	0	0	PAGE1	PAGE0	Page selection

Figure 23. Register 01: Power-Down and Reset

7 (MSB)	6	5	4	3	2	1	0 (LSB)
RESET	0	$\overline{\text{PDALL}}$	$\overline{\text{PDPA}}$	$\overline{\text{PDPB}}$	$\overline{\text{PDTX}}$	$\overline{\text{PDRX}}$	0

Table 4. Register 01: Power-Down and Reset Field Descriptions

$\overline{\text{PDRX}}$	Power-Down for the Receiver Function Block	
	This bit is used to power-down the DIR and associated functions. All receiver outputs are forced low.	
	$\overline{\text{PDRX}}$	Receiver Power-Down Mode
	0	Enabled (default)
1	Disabled; the Receiver function block will operate normally based upon the applicable control register settings.	
$\overline{\text{PDTX}}$	Power-Down for the Transmitter Function Block	
	This bit is used to power-down the DIT and associated functions. All transmitter outputs are forced low.	
	$\overline{\text{PDTX}}$	Transmitter Power-Down Mode
	0	Enabled (default)
1	Disabled; the Transmitter function block will operate normally based upon the applicable control register settings.	
$\overline{\text{PDPB}}$	Power-Down for Serial Port B	
	This bit is used to power-down the audio serial I/O Port B. All port outputs are forced low.	
	$\overline{\text{PDPB}}$	Port B Power-Down Mode
	0	Enabled (default)
1	Disabled; Port B will operate normally based upon the applicable control register settings.	
$\overline{\text{PDPA}}$	Power-Down for Serial Port A	
	This bit is used to power-down the audio serial I/O Port A. All port outputs are forced low.	
	$\overline{\text{PDPA}}$	Port A Power-Down Mode
	0	Enabled (default)
1	Disabled; Port A will operate normally based upon the applicable control register settings.	
$\overline{\text{PDALL}}$	Power-Down for All Functions	
	This bit is used to power-down all function blocks except the host interface port and the control and status registers.	
	$\overline{\text{PDALL}}$	All Function Power-Down Mode
	0	Enabled (default)
1	Disabled; all function blocks will operate normally based upon the applicable control register settings.	
RESET	Software Reset	
	This bit is used to force a reset initialization sequence, and is equivalent to forcing an external reset through the $\overline{\text{RST}}$ input (pin 24).	
	RESET	Reset Function
	0	Disabled (default)
1	Enabled; all control registers will be reset to the default state.	

Figure 24. Register 02: Global Interrupt Status (Read-Only)

7 (MSB)	6	5	4	3	2	1	0 (LSB)
0	0	0	0	0	TX	RX	0

Table 5. Register 02: Global Interrupt Status (Read-Only) Field Descriptions

RX	<p>Receiver Function Block Interrupt Status (Active High)</p> <p>When set to 1, this bit indicates an active interrupt from the DIR function block. This bit is active high. The user must then read status registers 0x14 and 0x15 in order to determine which of the sources has generated an interrupt.</p>
TX	<p>Transmitter Function Block Interrupt Status (Active High)</p> <p>When set to 1, this bit indicates an active interrupt from the DIT function block. This bit is active high. The user must then read status register 0x0A in order to determine which of the sources has generated an interrupt.</p>

Figure 25. Register 03: Port A Control Register 1

7 (MSB)	6	5	4	3	2	1	0 (LSB)
0	AMUTE	AOUTS1	AOUTS0	AM/S	AFMT2	AFMT1	AFMT0

Table 6. Register 03: Port A Control Register 1 Field Descriptions

AFMT[2:0]	Port A Audio Data Format		
	These bits are used to set the audio input and output data format for Port A. Refer to Audio Serial Port Operation for illustrations of the supported data formats. Refer to the Audio Serial Ports section of the Electrical Characteristics table and Figure 1 for an applicable timing diagram and parameters.		
	AFMT2	AFMT1	AFMT0
	0	0	0
	0	0	1
	0	1	0
	0	1	1
	1	0	0
	1	0	1
1	1	0	
1	1	1	
AM/S	Port A Slave and Master Mode		
	This bit is used to set the audio clock mode for Port A to either Slave or Master.		
	AM/S	Slave/Master Mode	
0	Slave mode; the LRCK and BCK clocks are inputs generated by an external digital audio source. (default)		
1	Master mode; the LRCK and BCK clocks are outputs, derived from the Port A master clock source.		
AOUTS[1:0]	Port A Output Data Source		
	These bits are used to select the output data source for Port A. The data is output at SDOUTA (pin 40).		
	AOUTS1	AOUTS0	Output Data Source
	0	0	Port A input, for data loop back. (default)
	0	1	Port B input
1	0	DIR	
1	1	Reserved	
AMUTE	Port A Output Mute		
	This bit is used to mute the Port A audio data output.		
	AMUTE	Output Mute	
0	Disabled; SDOUTA is driven by the output data source. (default)		
1	Enabled; SDOUTA is forced low.		

Figure 26. Register 04: Port A Control Register 2

7 (MSB)	6	5	4	3	2	1	0 (LSB)
0	0	0	0	ACLK1	ACLK0	ADIV1	ADIV0

Table 7. Register 04: Port A Control Register 2 Field Descriptions

ADIV[1:0]	Port A Master Clock Divider		
	These bits are used to set the master clock divider for generating the LRCKA clock for Port A when configured for Master mode operation. BCKA is always set to 64 times the LRCKA clock rate in Master mode.		
	ADIV1	ADIV0	Master Mode Clock Divider
	0	0	Divide-by-128 (default)
	0	1	Divide-by-256
1	0	Divide-by-384	
1	1	Divide-by-512	
ACLK[1:0]	Port A Master Clock Source		
	These bits are used to set the master clock source for Port A when configured for Master mode operation.		
	ACLK1	ACLK0	Master Clock Source
0	0	MCLK (default)	
0	1	RXCKI	

Table 7. Register 04: Port A Control Register 2 Field Descriptions (continued)

	1	0	RXCKO
	1	1	Reserved

Figure 27. Register 05: Port B Control Register 1

7 (MSB)	6	5	4	3	2	1	0 (LSB)
0	BMUTE	BOUTS1	BOUTS0	BM/S	BFMT2	BFMT1	BFMT0

Table 8. Register 05: Port B Control Register 1 Field Descriptions

BFMT[2:0]	Port B Audio Data Format		
	These bits are used to set the audio input and output data format for Port B. Refer to Audio Serial Port Operation for illustrations of the supported data formats. Refer to the Audio Serial Ports section of the Electrical Characteristics table and Figure 1 for an applicable timing diagram and parameters.		
	BFMT2	BFMT1	BFMT0
	0	0	0
	0	0	1
	0	1	0
	0	1	1
	1	0	0
	1	0	1
1	1	0	
1	1	1	
BM/S	Port B Slave and Master Mode		
	This bit is used to set the audio clock mode for Port B to either Slave or Master.		
	BM/S	Slave and Master Mode	
0	Slave mode; the LRCK and BCK clocks are generated by an external source. (default)		
1	Master mode; the LRCK and BCK clocks are derived from the Port A master clock source.		
BOUTS[1:0]	Port B Output Source		
	These bits are used to select the output data source for Port B. The data is output at SDOUTB (pin 45).		
	BOUTS1	BOUTS0	Output Data Source
	0	0	Port B input, for data loop back. (default)
	0	1	Port A input
1	0	DIR	
1	1	Reserved	
BMUTE	Port B Output Mute		
	This bit is used to mute the Port B audio data output.		
	BMUTE	Output Mute	
0	Disabled; SDOUTB is driven by the output data source. (default)		
1	Enabled; SDOUTB is forced low.		

Figure 28. Register 06: Port B Control Register 2

7 (MSB)	6	5	4	3	2	1	0 (LSB)
0	0	0	0	BCLK1	BCLK0	BDIV1	BDIV0

Table 9. Register 06: Port B Control Register 2 Field Descriptions

BDIV[1:0]	Port B Master Mode Clock Divider		
	These bits are used to set the master clock divider for generating the LRCKB clock for Port B when configured for Master mode operation. BCKB is always set to 64 times the LRCKB clock rate in Master mode.		
	BDIV1	BDIV0	Master Mode Clock Divider
	0	0	Divide-by-128 (default)
	0	1	Divide-by-256
BCLK[1:0]	Port B Master Clock Source		
	These bits are used to set the master clock source for Port B when configured for Master mode operation.		
	BCLK1	BCLK0	Master Clock Source
	0	0	MCLK (default)
	0	1	RXCKI
	1	0	RXCKO
	1	1	Reserved

Figure 29. Register 07: Transmitter Control Register 1

7 (MSB)	6	5	4	3	2	1	0 (LSB)
TXCLK	TXDIV1	TXDIV0	TXIS1	TXIS0	BLSM	VALID	BSSL

Table 10. Register 07: Transmitter Control Register 1 Field Descriptions

BSSL	Block Start or Asynchronous Data Slip Interrupt Trigger Selection		
	This bit is used to select the trigger source for the Transmitter TSLIP status and interrupt bit.		
	BSSL	TSLIP Interrupt Trigger Source	
VALID	Validity (V) Data Bit		
	This bit may be used to set the validity (or V) data bit in the AES3-encoded output. Refer to the VALSEL bit in control register 0x09 for V-bit source selection.		
	VALID	Transmitted Validity (V) Bit Data	
BLSM	Transmitter Block Start Input and Output Mode		
	This bit is used to select the input and output mode for the DIT block start pin, BLS (pin 35).		
	BLSM	BLS Pin Mode	
TXIS[1:0]	Transmitter Input Data Source		
	These bits are used to select the audio data source for the DIT function block.		
	TXIS1	TXIS0	Output Word Length
	0	0	Port A (default)
	0	1	Port B
1	0	DIR	
1	1	Reserved	

Table 10. Register 07: Transmitter Control Register 1 Field Descriptions (continued)

TXDIV[1:0]	Transmitter Master Clock Divider		
	These bits are used to select the Transmitter master clock divider, which determines the output frame rate.		
	TXDIV1	TXDIV0	Clock Divider
	0	0	Divide the master clock by 128. (default)
	0	1	Divide the master clock by 256.
TXCLK	Transmitter Master Clock Source		
	This bit is used to select the master clock source for the Transmitter block.		
	TXCLK	Transmitter Master Clock Source	
	0	MCLK input (default)	
	1	RXCKO; the recovered master clock from the DIR function block.	

Figure 30. Register 08: Transmitter Control Register 2

7 (MSB)	6	5	4	3	2	1	0 (LSB)
BYPMUX1	BYPMUX0	AESMUX	LDMUX	TXBTD	AESOFF	TXMUTE	TXOFF

Table 11. Register 08: Transmitter Control Register 2 Field Descriptions

TXOFF	Transmitter Line Driver Output Enable	
	This bit is used to enable or disable the TX+ (pin 32) and TX– (pin 31) line driver outputs.	
	TXOFF	Transmitter Line Driver
	0	Enabled; the line driver outputs function normally. (default)
	1	Disabled; the line driver outputs are forced low.
TXMUTE	Transmitter Audio Data Mute	
	This bit is used to set the 24 bits of audio and auxiliary data to all zeros for both Channels 1 and 2.	
	TXMUTE	Transmitter Audio Data Mute
	0	Disabled (default)
	1	Enabled; the audio data for both channels 1 and 2 are set to all zeros.
AESOFF	AESOUT Output Enable	
	This bit is used to enable or disable the AESOUT (pin 34) buffered AES3-encoded CMOS logic level output.	
	AESOFF	AESOUT Output
	0	Enabled; the AESOUT pin functions normally. (default)
	1	Disabled; the AESOUT pin is forced low.
TXBTD	Transmitter C and U Data Buffer Transfer Disable	
	This bit is used to enable and disable buffer transfers between the DIT User Access (UA) and DIT Transmitter Access (TA) buffers for both channel status (C) and user (U) data. Buffer transfers may be disabled, allowing the user to write new C and U data to the UA buffers through the SPI or I ² C serial host interface. Once updated, UA-to-TA buffer transfers may then be re-enabled, allowing the TA buffer to be updated and the new C and U data to be transmitted at the start of the next block.	
	TXBTD	User Access (UA) to Transmitter Access (TA) Buffer Transfers
	0	Enabled (default)
	1	Disabled; allows the user to update DIT C and U data buffers.
Note: The TXCUS0 and TXCUS1 bits in control register 0x09 must be set to a non-zero value in order for DIT UA buffer updates to occur.		
LDMUX	Transmitter Line Driver Input Source Selection	
	This bit is used to select the input source for the DIT differential line driver outputs.	
	LDMUX	Line Driver Input Source
	0	DIT AES3 encoder output (default)
	1	Bypass multiplexer output
AESMUX	AESOUT CMOS Buffer Input Source Selection	
	This bit is used to select the input source for the AESOUT CMOS logic level output.	
	AESMUX	AESOUT Buffer Input Source
	0	DIT AES3 encoder output (default)
	1	Bypass multiplexer output

Table 11. Register 08: Transmitter Control Register 2 Field Descriptions (continued)

BYPMUX[1:0]	Bypass Multiplexer Source Selection		
	These bits select the line receiver output to be used as the bypass multiplexer data source.		
	BYPMUX1	BYPMUX0	Line Receiver Output Selection
	0	0	RX1 (default)
	0	1	RX2
1	0	RX3	
1	1	RX4	

Figure 31. Register 09: Transmitter Control Register 3

7 (MSB)	6	5	4	3	2	1	0 (LSB)
0	0	0	0	0	VALSEL	TXCUS1	TXCUS0

Table 12. Register 09: Transmitter Control Register 3 Field Descriptions

TXCUS[1:0]	Transmitter Channel Status and User Data Source		
	These bits select the source of the channel status (or C) data and user (or U) data which is used to load the DIT User Access (UA) buffers.		
	TXCUS1	TXCUS0	DIT UA Buffer Source
	0	0	The buffers will not be updated. (default)
	0	1	The buffers are updated through the SPI or I ² C host interface.
1	0	The buffers are updated through the DIR RA buffers.	
1	1	The first 10 bytes of the buffers are updated through the SPI or I ² C host, while the remainder of the buffers are updated through the DIR RA buffers.	
VALSEL	Transmitter Validity Bit Source		
	This bit is used to select the source for the validity (or V) bit in the AES3-encoded output data stream.		
	VALSEL	Validity (or V) Bit Source Selection	
	0	The VALID bit in control register 0x07.	
1	The V bit is transferred from the DIR block with zero latency.		

Figure 32. Register 0A: DIT Status (Read-Only)

7 (MSB)	6	5	4	3	2	1	0 (LSB)
0	0	0	0	0	0	TSLIP	TBTI

Table 13. Register 0A: DIT Status (Read-Only) Field Descriptions

TBTI	Transmitter Buffer Transfer Status, Active High When DIT User Access (UA) to Transmitter Access (TA) buffer transfers are enabled (the TXBTD bit in control register 0x08 is set to 0), and the TBTI interrupt is unmasked (the MTBTI bit in control register 0x0B is set to 1), the TBTI bit will be set to 1 when the UA-to-TA buffer transfer has completed. This configuration also causes the $\overline{\text{INT}}$ output (pin 23) to be driven low and the TX bit in status register 0x02 to be set to 1, indicating that an interrupt has occurred.
TSLIP	Transmitter Source Data Slip Status, Active High The TSLIP bit will be set to 1 when either an asynchronous data slip or block start condition is detected, and the TSLIP interrupt is unmasked (the MTSLIP bit in control register 0x0B is set to 1). The BSSL bit in control register 0x07 is used to set the source for this interrupt. The TSLIP bit being forced to 1 will also cause the $\overline{\text{INT}}$ output (pin 23) to be driven low and the TX bit in status register 0x02 to be set to 1, indicating that an interrupt has occurred.

Figure 33. Register 0B: DIT Interrupt Mask Register

7 (MSB)	6	5	4	3	2	1	0 (LSB)
0	0	0	0	0	0	MTSLIP	MTBTI

Table 14. Register 0B: DIT Interrupt Mask Register Field Descriptions

MBTI	Transmitter Buffer Transfer Interrupt Mask	
	MTBI	BTI Interrupt Mask
	0	BTI interrupt is masked. (default)
1	BTI interrupt is enabled.	

Table 14. Register 0B: DIT Interrupt Mask Register Field Descriptions (continued)

MTSLIP	Transmitter TSLIP Interrupt Mask	
	MTSLIP	TSLIP Interrupt Mask
	0	TSLIP interrupt is masked. (default)
	1	TSLIP interrupt is enabled.

Figure 34. Register 0C: DIT Interrupt Mode Register

7 (MSB)	6	5	4	3	2	1	0 (LSB)
0	0	0	0	TSLIPM1	TSLIPM0	TBTIM1	TBTIM0

Table 15. Register 0C: DIT Interrupt Mode Register Field Descriptions

TBTIM[1:0]	Transmitter Buffer Transfer Interrupt Mode		
	These bits are used to select the active trigger state for the BTI interrupt.		
	TBTIM1	TBTIM0	Interrupt Active State
	0	0	Rising edge active (default)
	0	1	Falling edge active
	1	0	Level active
	1	1	Reserved
TSLIPM[1:0]	Transmitter Data Source Slip Interrupt Mode		
	These bits are used to select the active trigger state for the TSLIP interrupt.		
	TSLIPM1	TSLIPM0	Interrupt Active State
	0	0	Rising edge active (default)
	0	1	Falling edge active
	1	0	Level active
	1	1	Reserved

Figure 35. Register 0D: Receiver Control Register 1

7 (MSB)	6	5	4	3	2	1	0 (LSB)
0	0	0	RXBTD	RXCLK	0	RXMUX1	RXMUX0

Table 16. Register 0D: Receiver Control Register 1 Field Descriptions

RXMUX[1:0]	Receiver Input Source Selection	
	These bits are used to select the output of the line receiver to be used as the input data source for the DIR core.	
	RXMUX1	RXMUX0
	0	0
	0	1
	1	0
	1	1
RXCLK	Receiver Reference Clock Source	
	This bit is used to select the reference clock source for PLL1 in the DIR core.	
	RXCLK	Receiver Reference Clock
	0	RXCKI (default)
	1	MCLK
RXBTD	Receiver C and U Data Buffer Transfer Disable	
	This bit is used to enable and disable buffer transfers between the Receiver Access (RA) and User Access (UA) buffers for both channel status (C) and user (U) data. Buffer transfers are typically disabled to allow the customer to read C and U data from the DIR UA buffer through the SPI or I ² C serial host interface. Once read, the RA-to-UA buffer transfer can be re-enabled to allow the RA buffer to update the contents of the UA buffer in real time.	
	RXBTD	Receiver Access (RA) to User Access (UA) Buffer Transfers
	0	Enabled (default)
	1	Disabled; the user may read C and U data from the DIR UA buffers.

Figure 36. Register 0E: Receiver Control Register 2

7 (MSB)	6	5	4	3	2	1	0 (LSB)
0	0	0	LOL	RXAMLL	RXCKOD1	RXCKOD0	RXCKOE

Table 17. Register 0E: Receiver Control Register 2 Field Descriptions

RXCKOE	RXCKOE Output Enable		
	This bit is used to enable or disable the recovered clock output, RXCKO (pin 12). When disabled, the output is set to a high-impedance state.		
	RXCKOE	RXCKO Output State	
	0	Disabled; the RXCKO output is set to high-impedance. (default)	
	1	Enabled; the recovered master clock is available at RXCKO.	
RXCKOD[1:0]	RXCKO Output Clock Divider		
	These bits are used to set the clock divider at the output of PLL2. The output of the divider is the RXCKO clock, available internally or at the RXCKO output (pin 12).		
	RXCKOD1	RXCKOD0	RXCKO Output Divider
	0	0	Passthrough; no division is performed. (default)
	0	1	Divide the PLL2 clock output by 2.
	1	0	Divide the PLL2 clock output by 4.
	1	1	Divide the PLL2 clock output by 8.
RXAMLL	Receiver Automatic Mute for Loss of Lock		
	This bit is used to set the automatic mute function for the DIR block when a loss of lock is indicated by both the AES3 decoder and PLL2.		
	RXAMLL	Receiver Auto-Mute Function	
	0	Disabled (default)	
	1	Enabled; audio data output from the DIR block is forced low for a loss of lock condition.	
LOL	Receiver Loss of Lock Mode for the Recovered Clock (output from PLL2)		
	This bit is used to set the mode of operation for PLL2 when a loss of lock condition occurs.		
	LOL	Receiver PLL2 Operation	
	0	The PLL2 output clock is stopped for a loss of lock condition. (default)	
	1	The PLL2 output clock free runs when a loss of lock condition occurs.	

Figure 37. Register 0F: Receiver PLL1 Configuration Register 1

7 (MSB)	6	5	4	3	2	1	0 (LSB)
P3	P2	P1	P0	J5	J4	J3	J2

Figure 38. Register 10: Receiver PLL1 Configuration Register 2

7 (MSB)	6	5	4	3	2	1	0 (LSB)
J1	J0	D13	D12	D11	D10	D9	D8

Figure 39. Register 11: Receiver PLL1 Configuration Register 3

7 (MSB)	6	5	4	3	2	1	0 (LSB)
D7	D6	D5	D4	D3	D2	D1	D0

Table 18. Register 11: Receiver PLL1 Configuration Register 3 Field Descriptions

Registers 0x0F through 0x11 are used to program PLL1 in the DIR core. PLL1 multiplies the DIR reference clock source to an oversampling rate which is adequate for AES3 decoder operation. PLL1 is programmed using the following relationship:

$$(\text{CLOCK} \times K) / P = 98.304 \text{ MHz}$$

where:
 CLOCK = frequency of the DIR reference clock source.
 K = J.D, where the integer part J = 1 to 63, and the fractional part D = 0 to 9999.
 P = the pre-divider value, which may be set to any 4-bit value that meets the conditions stated below.
 The following conditions must be met for the values of P, J, and D:

If D = 0, 2 MHz ≤ (CLOCK / P) ≤ 20 MHz and 4 ≤ J ≤ 55.
then:

If D ≠ 0, 10 MHz ≤ (CLOCK / P) ≤ 20 MHz and 4 ≤ J ≤ 11.
then:

Referring to registers 0x0F through 0x11:
 P is programmed using bits P[3:0].
 J is programmed using bits J[5:0].
 D is programmed using bits D[13:0].
 Table 19 shows values for P, J, and D for common DIR reference clock rates.

Table 19. PLL1 Register Values for Common Reference Clock Rates

REFERENCE CLOCK RATE (MHz)	P	J	D	ERROR (%)
8.1920	1	12	0	0.0000
11.2896	1	8	7075	0.0002
12.2880	1	8	0	0.0000
16.3840	1	6	0	0.0000
22.5792	2	8	7075	0.0002
24.5760	2	8	0	0.0000
27.0000	2	7	2818	0.0003

Figure 40. Register 12: Non-PCM Audio Detection Status Register (Read-Only)

7 (MSB)	6	5	4	3	2	1	0 (LSB)
0	0	0	0	0	0	DTS CD/LD	IEC61937

Table 20. Register 12: Non-PCM Audio Detection Status Register (Read-Only) Field Descriptions

IEC61937	This bit is used to indicate the detection of an IEC 61937 data reduced audio format (includes Dolby AC-3, DTS, etc.) for DVD playback or general transmission purposes.	
	IEC61937	Status
	0	Data is not an IEC61937 format.
DTS CD/LD	This bit is used to indicate the detection of a DTS encoded audio compact disc (CD) or Laserdisc (LD) playback.	
	DTS CD/LD	Status
	0	The CD/LD is not DTS-encoded.
	1	DTS CD/LD playback detected.

Figure 41. Register 13: Receiver Status Register 1 (Read-Only)

7 (MSB)	6	5	4	3	2	1	0 (LSB)
0	0	0	0	0	0	RXCKR1	RXCKR0

Table 21. Register 13: Receiver Status Register 1 (Read-Only) Field Descriptions

RXCKR[1:0]	Maximum Available Recovered Clock Rate		
	These two bits indicate the maximum available RXCKO clock rate based upon the DIR detection circuitry, which determines the frame rate of the incoming AES3-encoded bit stream. Based upon the estimated frame rate, a maximum rate for the recovered clock output (RXCKO) is determined and output from PLL2, as well as being loaded into the RXCKR0 and RXCKR1 status bits. The status of the RXCKR0 and RXCKR1 bits may be used to determine the programmed value for the PLL2 output clock divider, set by the RXCKOD0 and RXCKOD1 bits in control register 0x0E.		
	RXCKR1	RXCKR0	Maximum Available RXCKO Rate
	0	0	Clock rate not determined.
	0	1	128f _s
1	0	256f _s	
1	1	512f _s	

Figure 42. Register 14: Receiver Status Register 2 (Read-Only)

7 (MSB)	6	5	4	3	2	1	0 (LSB)
CSCRC	PARITY	VBIT	BPERR	QCHG	UNLOCK	QCRC	RBTI

Note: Status bits must be unmasked in control register 0x16 in order for the status interrupts to be generated.

Table 22. Register 14: Receiver Status Register 2 (Read-Only) Field Descriptions

CSCRC	Channel Status CRC Status	
	CSCRC	CRC Status
	0	No error
	1	CRC error detected
PARITY	Parity Status	
	PARITY	Parity Status
	0	No error
	1	Parity error detected
VBIT	Validity Bit Status	
	VBIT	Validity Bit
	0	Valid audio data indicated
	1	Non-valid data indicated
BPERR	Biphase Encoding Error Status	
	BPERR	Biphase Encoding Status
	0	No error
	1	Biphase encoding error detected
QCHG	Q-Channel Sub-Code Data Change Status	
	QCHG	Q-Channel Data Status
	0	No change in Q-channel sub-code data.
	1	Q-channel data has changed. May be used to trigger a read of the Q-channel sub-code data, registers 0x1F through 0x28.
UNLOCK	DIR Unlock Error Status	
	UNLOCK	DIR Lock Status
	0	No error; the DIR AES3 decoder and PLL2 are locked.
	1	DIR lock error; the AES3 decoder and PLL2 are unlocked.
QCRC	Q-Channel Sub-Code CRC Status	
	QCRC	Q-Channel CRC Status
	0	No error
	1	Q-channel sub-code data CRC error detected.
RBTI	Receiver Buffer Transfer Interrupt Status	
	RBTI	DIR RA Buffer-to-UA Buffer Transfer Status

Table 22. Register 14: Receiver Status Register 2 (Read-Only) Field Descriptions (continued)

	0	Buffer transfer incomplete, or no Buffer transfer interrupt indicated
	1	Buffer transfer completed

Figure 43. Register 15: Receiver Status Register 3 (Read-Only)

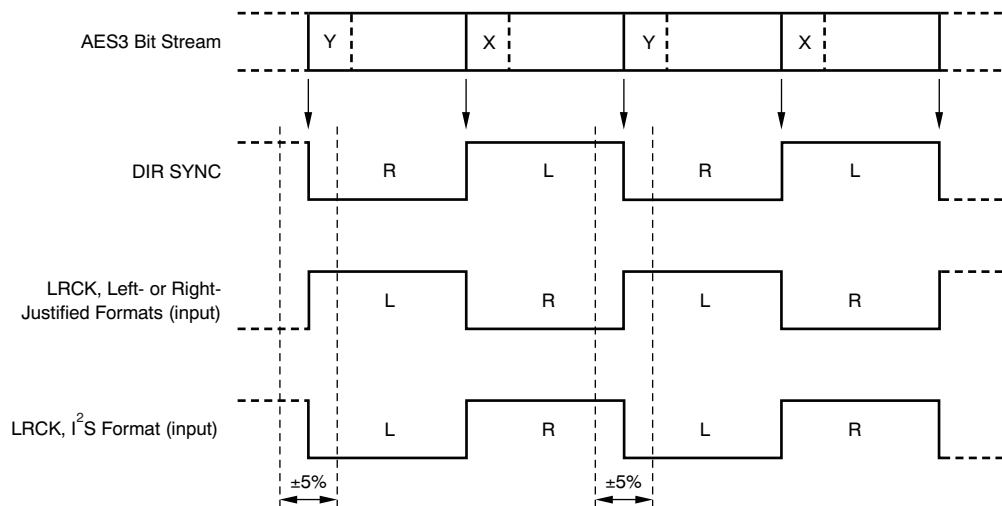
7 (MSB)	6	5	4	3	2	1	0 (LSB)
0	0	0	0	0	0	0	OSLIP

Note: Status bits must be unmasked in control register 0x17 in order for the status interrupts to be generated.

Table 23. Register 15: Receiver Status Register 3 (Read-Only) Field Descriptions

OSLIP	Receiver Output Data Slip Error Status	
	OSLIP	Receiver OSLIP Error Status
	0	No error
	1	DIR output data Slip or Repeat error detected

An OSLIP interrupt is possible when the DIR output is used as the source for either the Port A or Port B audio serial port and the port is configured to operate in slave mode. Figure 44 shows the timing associated with the OSLIP interrupt. When only one audio serial port (Port A or Port B) is sourced by the DIR output, then the OSLIP status bit and interrupt applies to that port. If both Port A and Port B are sourced by the DIR output, then the OSLIP status bit and interrupt applies to Port A only.



Data Slip or Repeat may occur when the LRCK edges indicated are within the $\pm 5\%$ window.

Figure 44. DIR Output Slip and Repeat (OSLIP) Behavior

Figure 45. Register 16: Receiver Interrupt Mask Register 1

7 (MSB)	6	5	4	3	2	1	0 (LSB)
MCSCRC	MPARITY	MVBIT	MBPERR	MQCHG	MUNLOCK	MQCRC	MRBTI

Table 24. Register 16: Receiver Interrupt Mask Register 1 Field Descriptions

MCSCRC	Channel Status CRC Error Interrupt Mask	
	MCSCRC	CRC Interrupt
	0	Masked (default)
	1	Enabled
MPARITY	Parity Error Interrupt Mask	
	MPARITY	Parity Error Interrupt
	0	Masked (default)
	1	Enabled
MVBIT	Validity Error Interrupt Mask	
	MVBIT	Validity Error Interrupt
	0	Masked (default)
	1	Enabled
MBPERR	Biphase Encoding Error Interrupt Mask	
	MBPERR	Biphase Error Interrupt
	0	Masked (default)
	1	Enabled
MQCHG	Q-Channel Sub-Code Data Change Interrupt Mask	
	MQCHG	Q-Channel Data Change Interrupt
	0	Masked (default)
	1	Enabled
MUNLOCK	DIR Unlock Error Interrupt Mask	
	MUNLOCK	DIR Unlock Interrupt
	0	Masked (default)
	1	Enabled
MQCRC	Q-Channel Sub-Code CRC Error Interrupt Mask	
	MQCRC	Q-Channel CRC Error Interrupt
	0	Masked (default)
	1	Enabled
MRBTI	Receiver Buffer Transfer Interrupt Mask	
	MRBTI	Receiver Buffer Transfer Interrupt
	0	Masked (default)
	1	Enabled

Figure 46. Register 17: Receiver Interrupt Mask Register 2

7 (MSB)	6	5	4	3	2	1	0 (LSB)
0	0	0	0	0	0	0	MOSLIP

Table 25. Register 17: Receiver Interrupt Mask Register 2 Field Descriptions

MOSLIP	Receiver Output Data Slip Error Mask	
	MOSLIP	Receiver OSLIP Error Interrupt
	0	Masked (default)
	1	Enabled

Figure 47. Register 18: Receiver Interrupt Mode Register 1

7 (MSB)	6	5	4	3	2	1	0 (LSB)
QCHGM1	QCHGM0	UNLOCKM1	UNLOCKM0	QCRCM1	QCRCM0	RBTIM1	RBTIM0

Table 26. Register 18: Receiver Interrupt Mode Register 1 Field Descriptions

QCHGM[1:0]	Q-Channel Sub-Code Data Change Interrupt Mode		
	QCHGM1	QCHGM0	Interrupt Active State
	0	0	Rising edge active (default)
	0	1	Falling edge active
	1	0	Level active
UNLOCKM[1:0]	DIR Unlock Error Interrupt Mode		
	UNLOCKM1	UNLOCKM0	Interrupt Active State
	0	0	Rising edge active (default)
	0	1	Falling edge active
	1	0	Level active
QCRCM[1:0]	Q-Channel Sub-Code CRC Error Interrupt Mode		
	QCRCM1	QCRCM0	Interrupt Active State
	0	0	Rising edge active (default)
	0	1	Falling edge active
	1	0	Level active
RBTIM[1:0]	Receive Buffer Transfer Interrupt Mode		
	RBTIM1	RBTIM0	Interrupt Active State
	0	0	Rising edge active (default)
	0	1	Falling edge active
	1	0	Level active
	Reserved		
	1	1	Reserved

Figure 48. Register 19: Receiver Interrupt Mode Register 2

7 (MSB)	6	5	4	3	2	1	0 (LSB)
CSCRCM1	CSCRCM0	PARITYM1	PARITYM0	VBITM1	VBITM0	BPERRM1	BPERRM0

Table 27. Register 19: Receiver Interrupt Mode Register 2 Field Descriptions

CSCRCM[1:0]	Channel Status CRC Error Interrupt Mode		
	CSCRCM1	CSCRCM0	Interrupt Active State
	0	0	Rising edge active (default)
	0	1	Falling edge active
	1	0	Level active
PARITYM[1:0]	Parity Error Interrupt Mode		
	PARITYM1	PARITYM0	Interrupt Active State
	0	0	Rising edge active (default)
	0	1	Falling edge active
	1	0	Level active
VBITM[1:0]	Validity Error Interrupt Mode		
	VBITM1	VBITM0	Interrupt Active State
	0	0	Rising edge active (default)
	0	1	Falling edge active
	1	0	Level active
BPERRM[1:0]	Biphase Encoding Error Interrupt Mode		
	BPERRM1	BPERRM0	Interrupt Active State
	0	0	Rising edge active (default)
	0	1	Falling edge active
	1	0	Level active
	Reserved		
	1	1	Reserved

Figure 49. Register 1A: Receiver Interrupt Mode Register 3

7 (MSB)	6	5	4	3	2	1	0 (LSB)
0	0	0	0	0	0	OSLIPM1	OSLIPM0

Table 28. Register 1A: Receiver Interrupt Mode Register 3 Field Descriptions

OSLIPM[1:0]	Receiver Output Data Slip Error Interrupt Mode		
	OSLIPM1	OSLIPM0	Interrupt Active State
	0	0	Rising edge active (default)
	0	1	Falling edge active
	1	0	Level active
	Reserved		
	1	1	Reserved

Figure 50. Register 1B: General-Purpose Output 1 (GPO1) Control Register

7 (MSB)	6	5	4	3	2	1	0 (LSB)
0	0	0	0	GPO13	GPO12	GPO11	GPO10

Table 29. Register 1B: General-Purpose Output 1 (GPO1) Control Register Field Descriptions

GPO[13:10]	General-Purpose Output 1 (GPO1) Configuration				
	These bits are used to set the state or data source for the general-purpose digital output pin GPO1.				
	GPO13	GPO12	GPO11	GPO10	GPO1 Function
	0	0	0	0	GPO1 is forced low (default)
	0	0	0	1	GPO1 is forced high
	0	0	1	0	Reserved
	0	0	1	1	Transmitter interrupt, active low
	0	1	0	0	Receiver interrupt, active low
	0	1	0	1	Receiver 50/15- μ s pre-emphasis, active low
	0	1	1	0	Receiver non-audio data, active high
	0	1	1	1	Receiver non-valid data, active high
	1	0	0	0	Receiver channel status bit
	1	0	0	1	Receiver user data bit
	1	0	1	0	Receiver block start clock
	1	0	1	1	Receiver COPY bit (0 = copyright asserted, 1 = copyright not asserted)
1	1	0	0	Receiver L-bit (0 = first generation or higher, 1 = original)	
1	1	0	1	Receiver parity error, active high	
1	1	1	0	Receiver internal sync clock	
1	1	1	1	Transmitter internal sync clock	

Figure 51. Register 1C: General-Purpose Output 2 (GPO2) Control Register

7 (MSB)	6	5	4	3	2	1	0 (LSB)
0	0	0	0	GPO23	GPO22	GPO21	GPO20

Table 30. Register 1C: General-Purpose Output 2 (GPO2) Control Register Field Descriptions

GPO[23:20]	General-Purpose Output 2 (GPO2) Configuration				
	These bits are used to set the state or data source for the general-purpose digital output pin GPO2.				
	GPO23	GPO22	GPO21	GPO20	GPO2 Function
	0	0	0	0	GPO2 is forced low (default)
	0	0	0	1	GPO2 is forced high
	0	0	1	0	Reserved
	0	0	1	1	Transmitter interrupt, active low
	0	1	0	0	Receiver interrupt, active low
	0	1	0	1	Receiver 50/15- μ s pre-emphasis, active low
	0	1	1	0	Receiver non-audio data, active high
	0	1	1	1	Receiver non-valid data, active high
	1	0	0	0	Receiver channel status bit
	1	0	0	1	Receiver user data bit
	1	0	1	0	Receiver block start clock
	1	0	1	1	Receiver COPY bit (0 = copyright asserted, 1 = copyright not asserted)
1	1	0	0	Receiver L-bit (0 = first generation or higher, 1 = original)	
1	1	0	1	Receiver parity error, active high	
1	1	1	0	Receiver internal sync clock	
1	1	1	1	Transmitter internal sync clock	

Figure 52. Register 1D: General-Purpose Output 3 (GPO3) Control Register

7 (MSB)	6	5	4	3	2	1	0 (LSB)
0	0	0	0	GPO33	GPO32	GPO31	GPO30

Table 31. Register 1D: General-Purpose Output 3 (GPO3) Control Register Field Descriptions

GPO[33:30]	General-Purpose Output 3 (GPO3) Configuration				
	These bits are used to set the state or data source for the general-purpose digital output pin GPO3.				
	GPO33	GPO32	GPO31	GPO30	GPO3 Function
	0	0	0	0	GPO3 is forced low (default)
	0	0	0	1	GPO3 is forced high
	0	0	1	0	Reserved
	0	0	1	1	Transmitter interrupt, active low
	0	1	0	0	Receiver interrupt, active low
	0	1	0	1	Receiver 50/15- μ s pre-emphasis, active low
	0	1	1	0	Receiver non-audio data, active high
	0	1	1	1	Receiver non-valid data, active high
	1	0	0	0	Receiver channel status bit
	1	0	0	1	Receiver user data bit
	1	0	1	0	Receiver block start clock
	1	0	1	1	Receiver COPY bit (0 = copyright asserted, 1 = copyright not asserted)
	1	1	0	0	Receiver L-bit (0 = first generation or higher, 1 = original)
	1	1	0	1	Receiver parity error, active high
	1	1	1	0	Receiver internal sync clock
	1	1	1	1	Transmitter internal sync clock

Figure 53. Register 1E: General-Purpose Output 4 (GPO4) Control Register

7 (MSB)	6	5	4	3	2	1	0 (LSB)
0	0	0	0	GPO43	GPO42	GPO41	GPO40

Table 32. Register 1E: General-Purpose Output 4 (GPO4) Control Register Field Descriptions

GPO[43:40]	General-Purpose Output 4 (GPO4) Configuration				
	These bits are used to set the state or data source for the general-purpose digital output pin GPO4.				
	GPO43	GPO42	GPO41	GPO40	GPO4 Function
	0	0	0	0	GPO4 is forced low (default)
	0	0	0	1	GPO4 is forced high
	0	0	1	0	Reserved
	0	0	1	1	Transmitter interrupt, active low
	0	1	0	0	Receiver interrupt, active low
	0	1	0	1	Receiver 50/15- μ s pre-emphasis, active low
	0	1	1	0	Receiver non-audio data, active high
	0	1	1	1	Receiver non-valid data, active high
	1	0	0	0	Receiver channel status bit
	1	0	0	1	Receiver user data bit
	1	0	1	0	Receiver block start clock
	1	0	1	1	Receiver COPY bit (0 = copyright asserted, 1 = copyright not asserted)
	1	1	0	0	Receiver L-bit (0 = first generation or higher, 1 = original)
	1	1	0	1	Receiver parity error, active high
	1	1	1	0	Receiver internal sync clock
	1	1	1	1	Transmitter internal sync clock

9.5.2.1 Registers 1F through 28: Q-Channel Sub-Code Data Registers

Registers 0x1F through 0x28 comprise the Q-channel sub-code buffer, which may be accessed for audio CD playback. The Q-channel data provides information regarding the playback status for the current disc. The buffer data is decoded by the DIR block.

Figure 54. Register 1F: Q-Channel Sub-Code Data Register 1 (Read-Only), Bits[7:0], Control and Address

7 (MSB)	6	5	4	3	2	1	0 (LSB)
Q0	Q1	Q2	Q3	Q4	Q5	Q6	Q7

Figure 55. Register 20: Q-Channel Sub-Code Data Register 2 (Read-Only), Bits[15:8], Track

7 (MSB)	6	5	4	3	2	1	0 (LSB)
Q8	Q9	Q10	Q11	Q12	Q13	Q14	Q15

Figure 56. Register 21: Q-Channel Sub-Code Data Register 3 (Read-Only), Bits[23:16], Index

7 (MSB)	6	5	4	3	2	1	0 (LSB)
Q16	Q17	Q18	Q19	Q20	Q21	Q22	Q23

Figure 57. Register 22: Q-Channel Sub-Code Data Register 4 (Read-Only), Bits[31:24], Minutes

7 (MSB)	6	5	4	3	2	1	0 (LSB)
Q24	Q25	Q26	Q27	Q28	Q29	Q30	Q31

Figure 58. Register 23: : Q-Channel Sub-Code Data Register 5 (Read-Only), Bits[39:32], Seconds

7 (MSB)	6	5	4	3	2	1	0 (LSB)
Q32	Q33	Q34	Q35	Q36	Q37	Q38	Q39

Figure 59. Register 24: : Q-Channel Sub-Code Data Register 6 (Read-Only), Bits[47:40], Frame

7 (MSB)	6	5	4	3	2	1	0 (LSB)
Q40	Q41	Q42	Q43	Q44	Q45	Q46	Q47

Figure 60. Register 25: Q-Channel Sub-Code Data Register 7 (Read-Only), Bits[55:48], Zero

7 (MSB)	6	5	4	3	2	1	0 (LSB)
Q48	Q49	Q50	Q51	Q52	Q53	Q54	Q55

Figure 61. Register 26: Q-Channel Sub-Code Data Register 8 (Read-Only), Bits[63:56], AMIN

7 (MSB)	6	5	4	3	2	1	0 (LSB)
Q56	Q57	Q58	Q59	Q60	Q61	Q62	Q63

Figure 62. Register 27: Q-Channel Sub-Code Data Register 9 (Read-Only), Bits[71:64], ASEC

7 (MSB)	6	5	4	3	2	1	0 (LSB)
Q64	Q65	Q66	Q67	Q68	Q69	Q70	Q71

Figure 63. Register 28: Q-Channel Sub-Code Data Register 10 (Read-Only), Bits[79:72], AFRAME

7 (MSB)	6	5	4	3	2	1	0 (LSB)
Q72	Q73	Q74	Q75	Q76	Q77	Q78	Q79

9.5.2.2 Registers 29 through 2C: IEC61937 PC/PD Burst Preamble

The PC and PD burst preambles are part of the IEC61937 standard for transmission of data reduced, non-PCM audio over a standard two-channel interface (IEC60958). Examples of data-reduced formats include Dolby AC-3, DTS, various flavors of MPEG audio (including AAC), and Sony ATRAC. The PA and PB preambles provide synchronization data, and are fixed values of 0xF872 and 0x4E1F, respectively. The PC preamble indicates the type of data being carried by the interface and the PD preamble indicates the length of the burst, given as number of bits.

Registers 0x29 through 0x2C contain the PC and PD preambles as decoded by the DIR block.

Figure 64. Register 29: Burst Preamble PC High-Byte Status Register (Read-Only)

7 (MSB)	6	5	4	3	2	1	0 (LSB)
PC15	PC14	PC13	PC12	PC11	PC10	PC09	PC08

Figure 65. Register 2A: Burst Preamble PC Low-Byte Status Register (Read-Only)

7 (MSB)	6	5	4	3	2	1	0 (LSB)
PC07	PC06	PC05	PC04	PC03	PC02	PC01	PC00

Table 33. Register 2A: Burst Preamble PC Low-Byte Status Register (Read-Only) Field Descriptions

PC[4:0], Hex	Data Type
00	Null
01	Dolby AC-3
02	Reserved
03	Pause
04	MPEG-1 layer 1
05	MPEG-1 layer 2 or 3, or MPEG-2 without extension
06	MPEG-2 Data with extension
07	MPEG-2 AAC ADTS
08	MPEG-2 layer 1 low sample rate
09	MPEG-2 layer 2 or 3 low sample rate
0A	Reserved
0B	DTS type 1
0C	DTS type 2
0D	DTS type 3
0E	ATRAC
0F	ATRAC2/3
10-1F	Reserved

Bits PC[6:5] are both set to 0.

Bit PC[7] is an Error Flag, where: 0 = A valid burst-payload; 1 = Burst-payload may contain errors.

Bits PC[12:8] are data-type dependent.

Bits PC[15:13] indicate the stream number, which is set to 0.

Figure 66. Register 2B: Burst Preamble PD High-Byte Status Register (Read-Only)

7 (MSB)	6	5	4	3	2	1	0 (LSB)
PD15	PD14	PD13	PD12	PD11	PD10	PD09	PD08

Figure 67. Register 2C: Burst Preamble PD Low-Byte Status Register (Read-Only)

7 (MSB)	6	5	4	3	2	1	0 (LSB)
PD07	PD06	PD05	PD04	PD03	PD02	PD01	PD00

Figure 68. Register 7F: Page Selection Register

7 (MSB)	6	5	4	3	2	1	0 (LSB)
0	0	0	0	0	0	PAGE1	PAGE0

Table 34. Register 7F: Page Selection Register Field Descriptions

PAGE[1:0]	Page Selection		
	These bits are used to select one of three register pages for write and/or read access through the SPI or I ² C serial host interface. The Page Selection Register is present on every register page at address 0x7F, allowing movement between pages as necessary.		
	PAGE1	PAGE0	Register/Buffer Page Selection
	0	0	Page 0, control and status registers (default)
	0	1	Page 1, DIR channel status and user data buffers
	1	0	Page 2, DIT channel status and user data buffers
1	1	Page 3, reserved	

9.5.3 Channel Status and User Data Buffer Maps

[Table 35](#) through [Table 38](#) show the buffer maps for the DIR and DIT channel status and user data buffers.

For [Table 35](#), the channel status byte definitions are dependent on the transmission mode, either Professional or Consumer. Bit 0 of Byte 0 defines the transmission mode, 0 for Consumer mode, and 1 for Professional mode. This is applicable for [Table 35](#) and [Table 36](#).

For [Table 37](#), the channel status byte definitions are dependent on the transmission mode, either Professional or Consumer. Bit 0 of Byte 0 defines the transmission mode, 0 for Consumer mode, and 1 for Professional mode. In Professional mode, Byte 23 for each channel is reserved for CRC data, which is automatically calculated and encoded by the DIT. There is no requirement to program Byte 23 for either channel in Professional mode.

Table 35. DIR Channel Status Data Buffer Map (Register Page 1)

ADDRESS (Hex)	CHANNEL	BYTE	BIT 0 (MSB)	BIT 1	BIT 2	BIT 3	BIT 4	BIT 5	BIT 6	BIT 7
0	1	0	D0	D1	D2	D3	D4	D5	D6	D7
1	2	0	D0	D1	D2	D3	D4	D5	D6	D7
2	1	1	D0	D1	D2	D3	D4	D5	D6	D7
3	2	1	D0	D1	D2	D3	D4	D5	D6	D7
4	1	2	D0	D1	D2	D3	D4	D5	D6	D7
5	2	2	D0	D1	D2	D3	D4	D5	D6	D7
6	1	3	D0	D1	D2	D3	D4	D5	D6	D7
7	2	3	D0	D1	D2	D3	D4	D5	D6	D7
8	1	4	D0	D1	D2	D3	D4	D5	D6	D7
9	2	4	D0	D1	D2	D3	D4	D5	D6	D7
A	1	5	D0	D1	D2	D3	D4	D5	D6	D7
B	2	5	D0	D1	D2	D3	D4	D5	D6	D7
C	1	6	D0	D1	D2	D3	D4	D5	D6	D7
D	2	6	D0	D1	D2	D3	D4	D5	D6	D7
E	1	7	D0	D1	D2	D3	D4	D5	D6	D7
F	2	7	D0	D1	D2	D3	D4	D5	D6	D7
10	1	8	D0	D1	D2	D3	D4	D5	D6	D7
11	2	8	D0	D1	D2	D3	D4	D5	D6	D7
12	1	9	D0	D1	D2	D3	D4	D5	D6	D7
13	2	9	D0	D1	D2	D3	D4	D5	D6	D7
14	1	10	D0	D1	D2	D3	D4	D5	D6	D7
15	2	10	D0	D1	D2	D3	D4	D5	D6	D7
16	1	11	D0	D1	D2	D3	D4	D5	D6	D7
17	2	11	D0	D1	D2	D3	D4	D5	D6	D7
18	1	12	D0	D1	D2	D3	D4	D5	D6	D7
19	2	12	D0	D1	D2	D3	D4	D5	D6	D7
1A	1	13	D0	D1	D2	D3	D4	D5	D6	D7
1B	2	13	D0	D1	D2	D3	D4	D5	D6	D7
1C	1	14	D0	D1	D2	D3	D4	D5	D6	D7
1D	2	14	D0	D1	D2	D3	D4	D5	D6	D7
1E	1	15	D0	D1	D2	D3	D4	D5	D6	D7
1F	2	15	D0	D1	D2	D3	D4	D5	D6	D7
20	1	16	D0	D1	D2	D3	D4	D5	D6	D7
21	2	16	D0	D1	D2	D3	D4	D5	D6	D7
22	1	17	D0	D1	D2	D3	D4	D5	D6	D7
23	2	17	D0	D1	D2	D3	D4	D5	D6	D7
24	1	18	D0	D1	D2	D3	D4	D5	D6	D7
25	2	18	D0	D1	D2	D3	D4	D5	D6	D7
26	1	19	D0	D1	D2	D3	D4	D5	D6	D7
27	2	19	D0	D1	D2	D3	D4	D5	D6	D7
28	1	20	D0	D1	D2	D3	D4	D5	D6	D7
29	2	20	D0	D1	D2	D3	D4	D5	D6	D7
2A	1	21	D0	D1	D2	D3	D4	D5	D6	D7
2B	2	21	D0	D1	D2	D3	D4	D5	D6	D7
2C	1	22	D0	D1	D2	D3	D4	D5	D6	D7
2D	2	22	D0	D1	D2	D3	D4	D5	D6	D7
2E	1	23	D0	D1	D2	D3	D4	D5	D6	D7
2F	2	23	D0	D1	D2	D3	D4	D5	D6	D7

Table 36. DIR User Data Buffer Map (Register Page 1)

ADDRESS (Hex)	CHANNEL	BYTE	BIT 0 (MSB)	BIT 1	BIT 2	BIT 3	BIT 4	BIT 5	BIT 6	BIT 7
40	1	0	D0	D1	D2	D3	D4	D5	D6	D7
41	2	0	D0	D1	D2	D3	D4	D5	D6	D7
42	1	1	D0	D1	D2	D3	D4	D5	D6	D7
43	2	1	D0	D1	D2	D3	D4	D5	D6	D7
44	1	2	D0	D1	D2	D3	D4	D5	D6	D7
45	2	2	D0	D1	D2	D3	D4	D5	D6	D7
46	1	3	D0	D1	D2	D3	D4	D5	D6	D7
47	2	3	D0	D1	D2	D3	D4	D5	D6	D7
48	1	4	D0	D1	D2	D3	D4	D5	D6	D7
49	2	4	D0	D1	D2	D3	D4	D5	D6	D7
4A	1	5	D0	D1	D2	D3	D4	D5	D6	D7
4B	2	5	D0	D1	D2	D3	D4	D5	D6	D7
4C	1	6	D0	D1	D2	D3	D4	D5	D6	D7
4D	2	6	D0	D1	D2	D3	D4	D5	D6	D7
4E	1	7	D0	D1	D2	D3	D4	D5	D6	D7
4F	2	7	D0	D1	D2	D3	D4	D5	D6	D7
50	1	8	D0	D1	D2	D3	D4	D5	D6	D7
51	2	8	D0	D1	D2	D3	D4	D5	D6	D7
52	1	9	D0	D1	D2	D3	D4	D5	D6	D7
53	2	9	D0	D1	D2	D3	D4	D5	D6	D7
54	1	10	D0	D1	D2	D3	D4	D5	D6	D7
55	2	10	D0	D1	D2	D3	D4	D5	D6	D7
56	1	11	D0	D1	D2	D3	D4	D5	D6	D7
57	2	11	D0	D1	D2	D3	D4	D5	D6	D7
58	1	12	D0	D1	D2	D3	D4	D5	D6	D7
59	2	12	D0	D1	D2	D3	D4	D5	D6	D7
5A	1	13	D0	D1	D2	D3	D4	D5	D6	D7
5B	2	13	D0	D1	D2	D3	D4	D5	D6	D7
5C	1	14	D0	D1	D2	D3	D4	D5	D6	D7
5D	2	14	D0	D1	D2	D3	D4	D5	D6	D7
5E	1	15	D0	D1	D2	D3	D4	D5	D6	D7
5F	2	15	D0	D1	D2	D3	D4	D5	D6	D7
60	1	16	D0	D1	D2	D3	D4	D5	D6	D7
61	2	16	D0	D1	D2	D3	D4	D5	D6	D7
62	1	17	D0	D1	D2	D3	D4	D5	D6	D7
63	2	17	D0	D1	D2	D3	D4	D5	D6	D7
64	1	18	D0	D1	D2	D3	D4	D5	D6	D7
65	2	18	D0	D1	D2	D3	D4	D5	D6	D7
66	1	19	D0	D1	D2	D3	D4	D5	D6	D7
67	2	19	D0	D1	D2	D3	D4	D5	D6	D7
68	1	20	D0	D1	D2	D3	D4	D5	D6	D7
69	2	20	D0	D1	D2	D3	D4	D5	D6	D7
6A	1	21	D0	D1	D2	D3	D4	D5	D6	D7
6B	2	21	D0	D1	D2	D3	D4	D5	D6	D7
6C	1	22	D0	D1	D2	D3	D4	D5	D6	D7
6D	2	22	D0	D1	D2	D3	D4	D5	D6	D7
6E	1	23	D0	D1	D2	D3	D4	D5	D6	D7
6F	2	23	D0	D1	D2	D3	D4	D5	D6	D7

Table 37. DIT Channel Status Data Buffer Map (Register Page 2)

ADDRESS (Hex)	CHANNEL	BYTE	BIT 0 (MSB)	BIT 1	BIT 2	BIT 3	BIT 4	BIT 5	BIT 6	BIT 7
0	1	0	D0	D1	D2	D3	D4	D5	D6	D7
1	2	0	D0	D1	D2	D3	D4	D5	D6	D7
2	1	1	D0	D1	D2	D3	D4	D5	D6	D7
3	2	1	D0	D1	D2	D3	D4	D5	D6	D7
4	1	2	D0	D1	D2	D3	D4	D5	D6	D7
5	2	2	D0	D1	D2	D3	D4	D5	D6	D7
6	1	3	D0	D1	D2	D3	D4	D5	D6	D7
7	2	3	D0	D1	D2	D3	D4	D5	D6	D7
8	1	4	D0	D1	D2	D3	D4	D5	D6	D7
9	2	4	D0	D1	D2	D3	D4	D5	D6	D7
A	1	5	D0	D1	D2	D3	D4	D5	D6	D7
B	2	5	D0	D1	D2	D3	D4	D5	D6	D7
C	1	6	D0	D1	D2	D3	D4	D5	D6	D7
D	2	6	D0	D1	D2	D3	D4	D5	D6	D7
E	1	7	D0	D1	D2	D3	D4	D5	D6	D7
F	2	7	D0	D1	D2	D3	D4	D5	D6	D7
10	1	8	D0	D1	D2	D3	D4	D5	D6	D7
11	2	8	D0	D1	D2	D3	D4	D5	D6	D7
12	1	9	D0	D1	D2	D3	D4	D5	D6	D7
13	2	9	D0	D1	D2	D3	D4	D5	D6	D7
14	1	10	D0	D1	D2	D3	D4	D5	D6	D7
15	2	10	D0	D1	D2	D3	D4	D5	D6	D7
16	1	11	D0	D1	D2	D3	D4	D5	D6	D7
17	2	11	D0	D1	D2	D3	D4	D5	D6	D7
18	1	12	D0	D1	D2	D3	D4	D5	D6	D7
19	2	12	D0	D1	D2	D3	D4	D5	D6	D7
1A	1	13	D0	D1	D2	D3	D4	D5	D6	D7
1B	2	13	D0	D1	D2	D3	D4	D5	D6	D7
1C	1	14	D0	D1	D2	D3	D4	D5	D6	D7
1D	2	14	D0	D1	D2	D3	D4	D5	D6	D7
1E	1	15	D0	D1	D2	D3	D4	D5	D6	D7
1F	2	15	D0	D1	D2	D3	D4	D5	D6	D7
20	1	16	D0	D1	D2	D3	D4	D5	D6	D7
21	2	16	D0	D1	D2	D3	D4	D5	D6	D7
22	1	17	D0	D1	D2	D3	D4	D5	D6	D7
23	2	17	D0	D1	D2	D3	D4	D5	D6	D7
24	1	18	D0	D1	D2	D3	D4	D5	D6	D7
25	2	18	D0	D1	D2	D3	D4	D5	D6	D7
26	1	19	D0	D1	D2	D3	D4	D5	D6	D7
27	2	19	D0	D1	D2	D3	D4	D5	D6	D7
28	1	20	D0	D1	D2	D3	D4	D5	D6	D7
29	2	20	D0	D1	D2	D3	D4	D5	D6	D7
2A	1	21	D0	D1	D2	D3	D4	D5	D6	D7
2B	2	21	D0	D1	D2	D3	D4	D5	D6	D7
2C	1	22	D0	D1	D2	D3	D4	D5	D6	D7
2D	2	22	D0	D1	D2	D3	D4	D5	D6	D7
2E	1	23	D0	D1	D2	D3	D4	D5	D6	D7
2F	2	23	D0	D1	D2	D3	D4	D5	D6	D7

Table 38. DIT User Data Buffer Map (Register Page 2)

ADDRESS (Hex)	CHANNEL	BYTE	BIT 0 (MSB)	BIT 1	BIT 2	BIT 3	BIT 4	BIT 5	BIT 6	BIT 7
40	1	0	D0	D1	D2	D3	D4	D5	D6	D7
41	2	0	D0	D1	D2	D3	D4	D5	D6	D7
42	1	1	D0	D1	D2	D3	D4	D5	D6	D7
43	2	1	D0	D1	D2	D3	D4	D5	D6	D7
44	1	2	D0	D1	D2	D3	D4	D5	D6	D7
45	2	2	D0	D1	D2	D3	D4	D5	D6	D7
46	1	3	D0	D1	D2	D3	D4	D5	D6	D7
47	2	3	D0	D1	D2	D3	D4	D5	D6	D7
48	1	4	D0	D1	D2	D3	D4	D5	D6	D7
49	2	4	D0	D1	D2	D3	D4	D5	D6	D7
4A	1	5	D0	D1	D2	D3	D4	D5	D6	D7
4B	2	5	D0	D1	D2	D3	D4	D5	D6	D7
4C	1	6	D0	D1	D2	D3	D4	D5	D6	D7
4D	2	6	D0	D1	D2	D3	D4	D5	D6	D7
4E	1	7	D0	D1	D2	D3	D4	D5	D6	D7
4F	2	7	D0	D1	D2	D3	D4	D5	D6	D7
50	1	8	D0	D1	D2	D3	D4	D5	D6	D7
51	2	8	D0	D1	D2	D3	D4	D5	D6	D7
52	1	9	D0	D1	D2	D3	D4	D5	D6	D7
53	2	9	D0	D1	D2	D3	D4	D5	D6	D7
54	1	10	D0	D1	D2	D3	D4	D5	D6	D7
55	2	10	D0	D1	D2	D3	D4	D5	D6	D7
56	1	11	D0	D1	D2	D3	D4	D5	D6	D7
57	2	11	D0	D1	D2	D3	D4	D5	D6	D7
58	1	12	D0	D1	D2	D3	D4	D5	D6	D7
59	2	12	D0	D1	D2	D3	D4	D5	D6	D7
5A	1	13	D0	D1	D2	D3	D4	D5	D6	D7
5B	2	13	D0	D1	D2	D3	D4	D5	D6	D7
5C	1	14	D0	D1	D2	D3	D4	D5	D6	D7
5D	2	14	D0	D1	D2	D3	D4	D5	D6	D7
5E	1	15	D0	D1	D2	D3	D4	D5	D6	D7
5F	2	15	D0	D1	D2	D3	D4	D5	D6	D7
60	1	16	D0	D1	D2	D3	D4	D5	D6	D7
61	2	16	D0	D1	D2	D3	D4	D5	D6	D7
62	1	17	D0	D1	D2	D3	D4	D5	D6	D7
63	2	17	D0	D1	D2	D3	D4	D5	D6	D7
64	1	18	D0	D1	D2	D3	D4	D5	D6	D7
65	2	18	D0	D1	D2	D3	D4	D5	D6	D7
66	1	19	D0	D1	D2	D3	D4	D5	D6	D7
67	2	19	D0	D1	D2	D3	D4	D5	D6	D7
68	1	20	D0	D1	D2	D3	D4	D5	D6	D7
69	2	20	D0	D1	D2	D3	D4	D5	D6	D7
6A	1	21	D0	D1	D2	D3	D4	D5	D6	D7
6B	2	21	D0	D1	D2	D3	D4	D5	D6	D7
6C	1	22	D0	D1	D2	D3	D4	D5	D6	D7
6D	2	22	D0	D1	D2	D3	D4	D5	D6	D7
6E	1	23	D0	D1	D2	D3	D4	D5	D6	D7
6F	2	23	D0	D1	D2	D3	D4	D5	D6	D7

10 Application and Implementation

NOTE

Information in the following applications sections is not part of the TI component specification, and TI does not warrant its accuracy or completeness. TI's customers are responsible for determining suitability of components for their purposes. Customers should validate and test their design implementation to confirm system functionality.

10.1 Application Information

Typical application diagrams and power-supply connections are presented in this section to aid the customer in hardware designs employing the DIX4192 device.

[Figure 69](#) shows typical application connections for the DIX4192 using an SPI host interface. The SPI host will typically be a microcontroller, digital signal processor, or programmable logic device. In addition to providing the SPI bus master, the host may be used to process interrupt and flag outputs from the DIX4192. The audio serial ports are connected to external digital audio devices, which may include data converters, digital signal processors, digital audio interface receivers or transmitters, or other logic devices. The DIR inputs and DIT outputs are connected to line, optical, or logic interfaces (see [Receiver Input Interfacing](#) and [Transmitter Output Interfacing](#)). Master and DIR reference clock sources are also shown.

[Figure 70](#) shows typical application connections for the DIX4192 using an I²C bus interface. The I²C bus master will typically be a microcontroller, digital signal processor, or programmable logic device. In addition to providing the I²C bus master, the host may be used to process interrupt and flag outputs from the DIX4192. Pullup resistors are connected from SCL (pin 20) and SDA (pin 22) to the VIO supply rail. These resistors are required for the open drain outputs of the I²C interface. All other connections to the DIX4192 are the same as the SPI host case discussed previously.

[Figure 71](#) shows the recommended power-supply connections and bypassing for the DIX4192. In this case, it is assumed that the VIO, VDD33, and VCC supplies are powered from the same 3.3-V power source. The VDD18 core supply is powered from a separate supply, or derived from the 3.3-V supply using a linear voltage regulator, as shown with the optional regulator circuitry of [Figure 71](#).

The 0.1- μ F bypass capacitors are surface-mount X7R ceramic, and must be located as close to the device as possible. These capacitors must be connected directly between the supply and corresponding ground pins of the DIX4192. The ground pin is then connected directly to the ground plane of the printed circuit board (PCB). The larger value capacitors, shown connected in parallel to the 0.1- μ F capacitors, are recommended. At a minimum, there must at least be footprints on the PCB for installation of these larger capacitors, so that experiments can be run with and without the capacitors installed, in order to determine the effect on the measured performance of the DIX4192. The larger value capacitors can be surface-mount X7R multilayer ceramic or tantalum chip.

The substrate ground, BGND (pin 44), must be connected by a PCB trace to AGND (pin 10). The AGND pin is then connected directly to the ground plane. This connection helps to reduce noise in the DIR section of the device, aiding the overall jitter and noise tolerance for the receiver.

A series resistor is shown between the 3.3-V supply and VCC (pin 9) connection. This resistor combines with the bypass capacitors to create a simple RC filter to remove higher frequency components from the VCC supply. The series resistor must be a metal film type for best filtering characteristics. As a substitute for the resistor, a ferrite bead can be used, although it may have to be physically large in order to contribute to the filtering.

Application Information (continued)

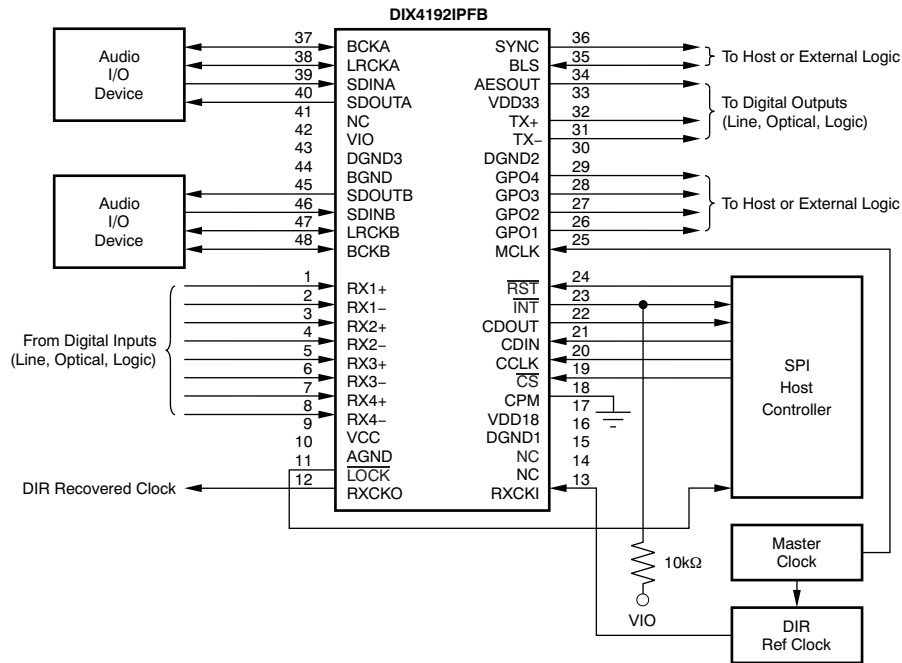


Figure 69. Typical Application Diagram Using SPI Host Interface (See Figure 71 for Power-Supply Connections)

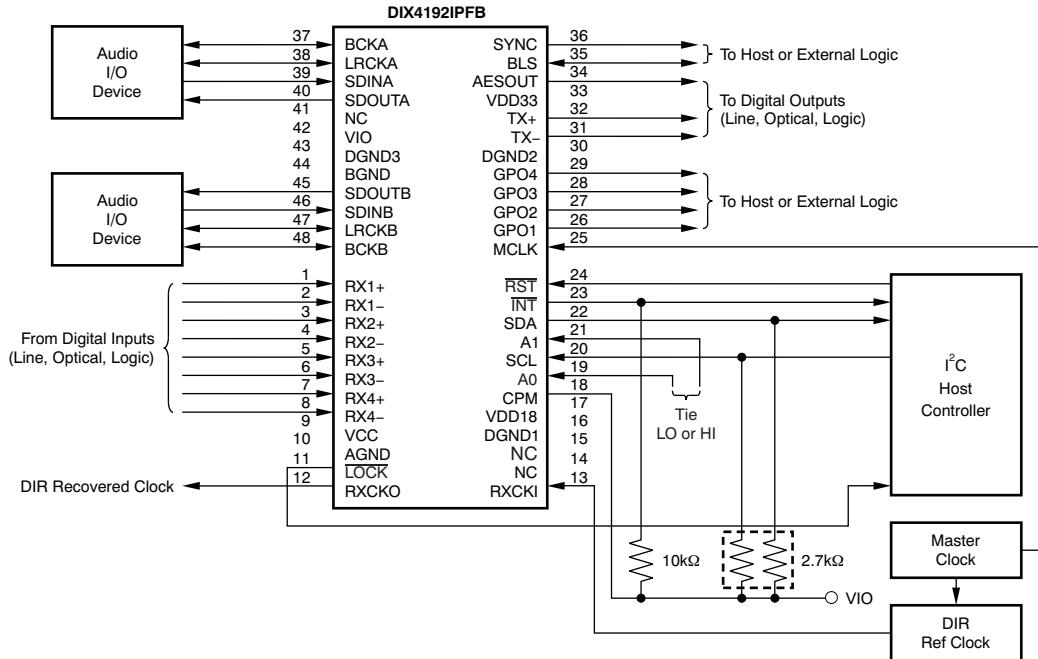


Figure 70. Typical Application Diagram Using I²C Host Interface (See Figure 71 for Power-Supply Connections)

Application Information (continued)

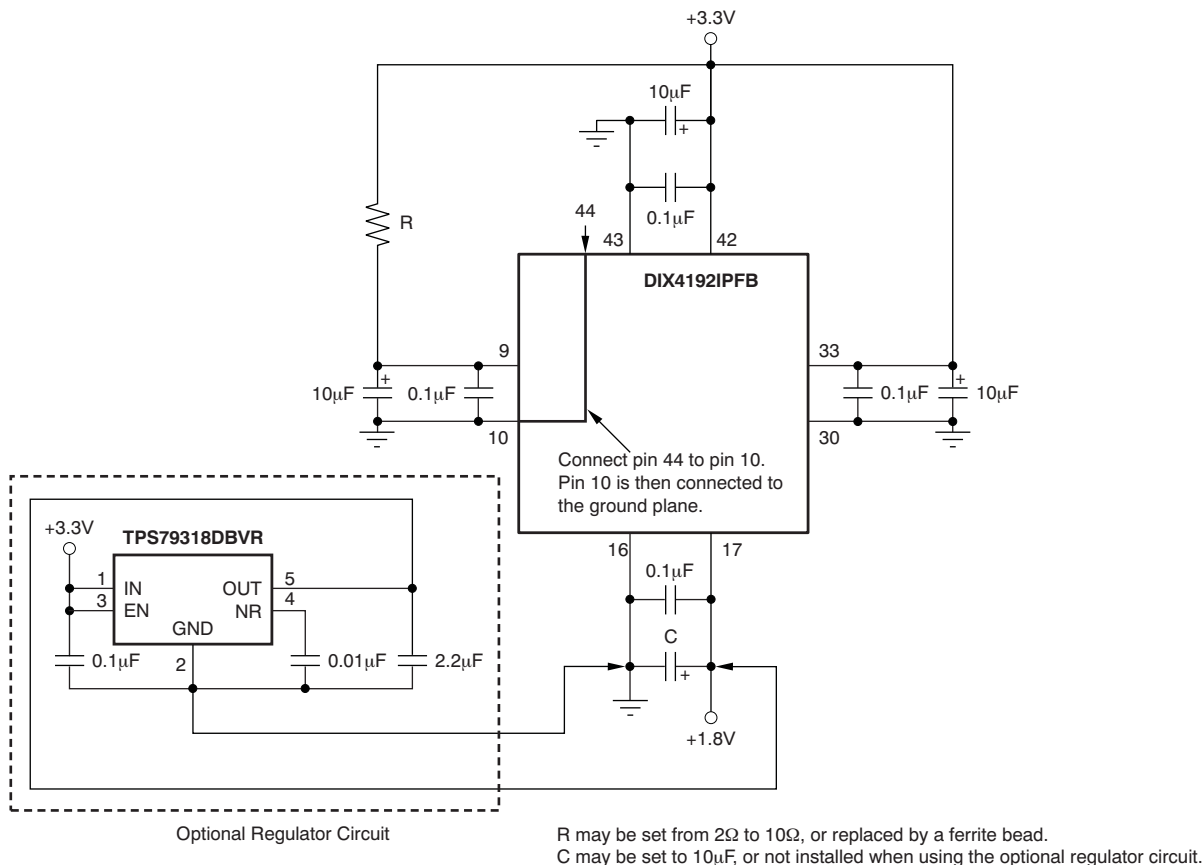


Figure 71. Recommended Power-Supply Connections

10.1.1 Digital Audio Transformer Vendors

Transformers are shown in this data sheet for both receiver and transmitter balanced and unbalanced line interface implementations. For the Texas Instruments Pro Audio evaluation modules, transformers from Scientific Conversion are used. In addition to Scientific Conversion, there are other vendors that offer transformer products for digital audio interface applications. Please refer to the following manufacturer websites for details regarding their products and services. Other transformer vendors may also be available by searching catalog and/or Internet resources.

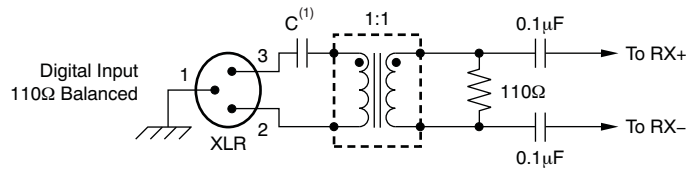
- Scientific Conversion: <http://scientificconversion.com>
- Schott Corporation: <http://schottcorp.com>
- Pulse Engineering: <http://pulseeng.com>

10.1.2 Receiver Input Interfacing

This section details the recommended interfaces for the DIX4192 line receiver inputs. Balanced and unbalanced line interfaces, in addition to optical receiver and external logic interfacing, are discussed.

For professional digital audio interfaces, 110-Ω balanced line interfaces are either required or preferred. Transformer coupling is commonly employed to provide isolation and to improve common-mode noise rejection. Figure 72 shows the recommended transformer-coupled balanced line receiver interface for the DIX4192. The transformer is specified for a 1:1 turn ratio, and must exhibit low inter-winding capacitance for best performance. Due to the DC bias on the line receiver inputs, 0.1-µF capacitors are used for AC-coupling the transformer to the line receiver inputs. On the line side of the transformer, an optional 0.1-µF capacitor is shown for cases where a DC bias may be applied at the transmitter side of the connection. The coupling capacitors must be surface-mount ceramic chip type with an X7R or C0G dielectric.

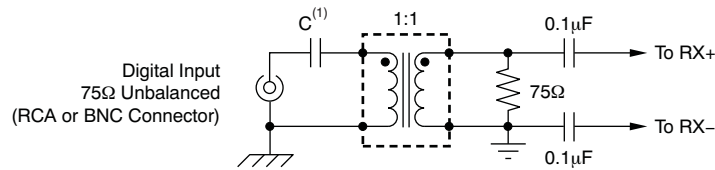
Application Information (continued)



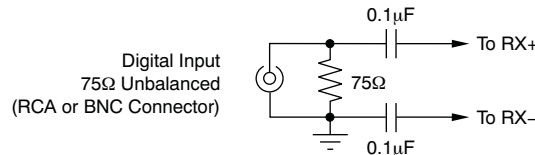
(1) Insert a 0.1μF capacitor when blocking common-mode DC voltage.

Figure 72. Transformer-Coupled Balanced Input Interface

Unbalanced 75-Ω coaxial cable interfaces are commonly employed in consumer and broadcast audio applications. Designs with and without transformer line coupling may be used. Figure 73(a) shows the recommended 75-Ω transformer-coupled line interface, which shares many similarities to the balanced design shown in Figure 72. Once again, the transformer provides isolation and improved noise rejection. Figure 73(b) shows the transformer-free interface, which is commonly used for S/PDIF consumer connections.



(a) Transformer-Coupled Unbalanced Line Interface

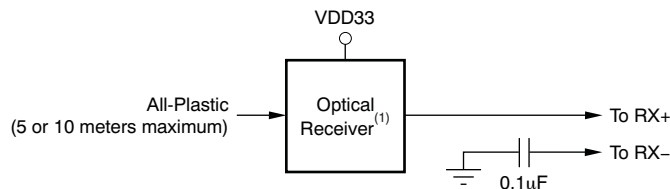


(b) Unbalanced Line Interface Without Transformer

(1) Insert a 0.1μF capacitor when blocking common-mode DC components.

Figure 73. Unbalanced Line Input Interfaces

Optical interfaces using all-plastic fiber are commonly employed for consumer audio equipment where interconnections are less than 10 m in length. Optical receiver modules used for a digital audio interface operate from either a single 3.3-V or 5-V supply and have a TTL-, CMOS-, or low-voltage CMOS-compatible logic output. Interfacing to 3.3-V optical receivers is straightforward when the optical receiver supply is powered from the DIX4192 VDD33 power source, as shown in Figure 74. For the 5-V optical receivers, the output high logic level may exceed the DIX4192 line receiver absolute maximum input voltage. A level translator is required, placed between the optical receiver output and the DIX4192 line receiver input. Figure 75 shows the recommended input circuit when interfacing a 5-V optical receiver to the DIX4192 line receiver inputs. The Texas Instruments SN74LVC1G125 single buffer IC is operated from the same 3.3-V supply used for DIX4192 VDD33 supply. This buffer includes a 5-V tolerant digital input, and provides the logic level translation required for the interface.



(1) Toshiba TORX141 or equivalent.

Figure 74. Interfacing to a 3.3-V Optical Receiver Module

Application Information (continued)

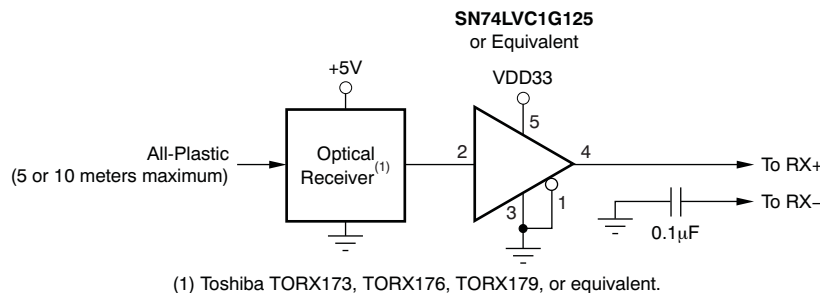


Figure 75. Interfacing to a 5-V Optical Receiver Module

The DIX4192 line receivers may also be driven directly from external logic or line receiver devices with TTL or CMOS outputs. If the logic driving the line receiver is operated from 3.3 V, then logic level translation will not be required. However, if the external logic is operated from a power-supply voltage that exceeds the maximum VDD33 supply voltage of the DIX4192, or operates from a supply voltage lower than 3.3 V, then level translation is required. Figure 76 shows the recommended logic level translation methods, using buffers and level translators available from Texas Instruments.

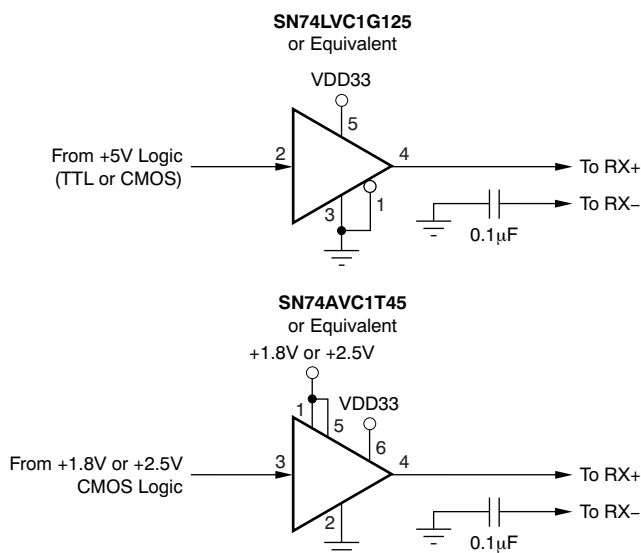


Figure 76. CMOS and TTL Input Logic Interface

10.1.3 Transmitter Output Interfacing

This section details the recommended interfaces for the DIX4192 transmitter line driver and CMOS-buffered outputs. Balanced and unbalanced line interfaces, in addition to optical transmitter and external logic interfacing, will be discussed.

For professional digital audio interfaces, 110-Ω balanced line interfaces are either required or preferred. Transformer coupling is commonly employed to provide isolation and to improve common-mode noise performance. Figure 77 shows the recommended transformer-coupled balanced line driver interface for the DIX4192. The transformer is specified for a 1:1 turn ratio, and must exhibit low inter-winding capacitance for best performance. To eliminate residual DC bias, a 0.1-µF capacitor is used for AC-coupling the transformer to the line driver outputs. The coupling capacitor must be a surface-mount ceramic chip type with an X7R or C0G dielectric.

Application Information (continued)

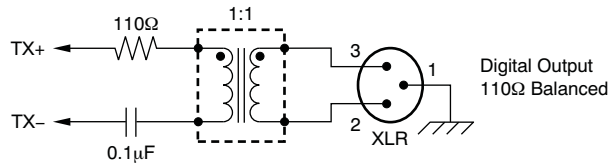
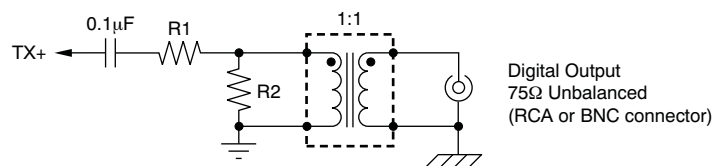
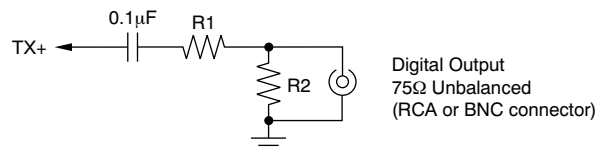


Figure 77. Transformer-Coupled Balanced Output Interface

Unbalanced 75-Ω coaxial cable interfaces are commonly employed in consumer and broadcast audio applications. Designs with and without transformer line coupling may be used. Figure 78(a) shows the recommended 75-Ω transformer-coupled line driver interface, which shares many similarities to the balanced design shown in Figure 77. Figure 78(b) shows the transformer-free line driver interface, which is commonly used for S/PDIF consumer connections.



(a) Transformer-Coupled Unbalanced Output



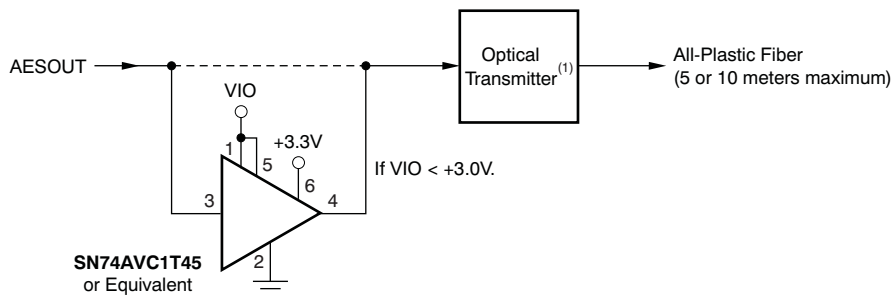
(b) Unbalanced Output Without Transformer

R1 and R2 are selected to achieve the desired output voltage level while maintaining the required 75Ω transmitter output impedance. The TX+ output impedance is negligible.

Figure 78. Unbalanced Line Output Interfaces

Optical interfaces using all-plastic fiber are commonly employed for consumer audio equipment where interconnections are less than 10 m in length. Most optical transmitter modules used for a digital audio interface operate from a single 3.3-V or 5-V supply and have a TTL-compatible logic input. The CMOS-buffered transmitter output of the DIX4192, AESOUT (pin 34), is capable of driving the optical transmitter with VIO supply voltages down to 3 V. If the VIO supply voltage is less than 3 V, then level translation logic is required to drive the optical transmitter input. A good choice for this application is the Texas Instruments SN74AVC1T45 single bus transceiver. This device features two power-supply rails, one for the input side and one for the output side. For this application, the input side supply is powered from the VIO supply, while the output side is powered from a 3.3-V supply. This configuration will boost the logic high level to a voltage suitable for driving the TTL-compatible input configuration. Figure 79 shows the recommended optical transmitter interface circuits.

Application Information (continued)



(1) Toshiba TOTX141, TOTX173, TOTX176, TOTX179, or equivalent.

Figure 79. Interfacing to an Optical Transmitter Module

The AESOUT output may also be used to drive external logic or line driver devices directly. Figure 80 shows the recommended logic interface techniques, including connections with and without level translation. Figure 81 shows an external line driver interface using the Texas Instruments SN75ALS191 dual differential line driver. If the VIO supply of the DIX4192 is set from 3 V to 3.3 V, no logic level translation will be required between the AESOUT output and the line driver input. If the VIO supply voltage is below this range, then the optional logic level translation logic of Figure 81 will be required. The SN75ALS191 dual line driver is especially useful in applications where simultaneous 75-Ω and 110-Ω line interfaces are required.

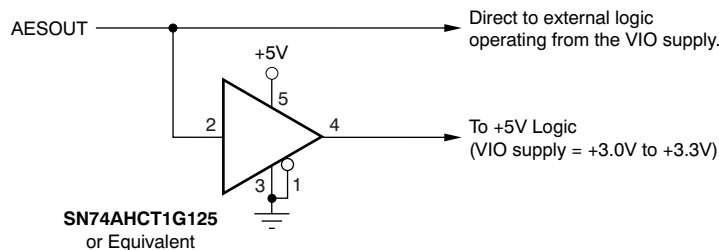


Figure 80. CMOS or TTL Output Logic Interface

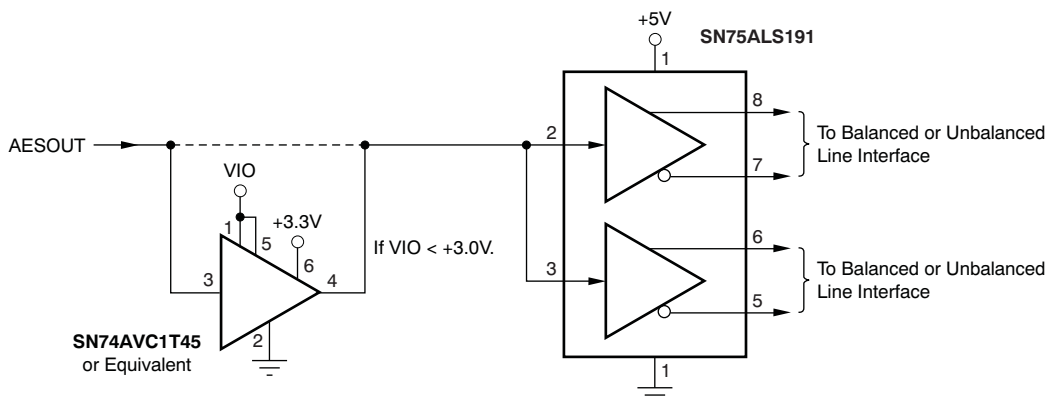


Figure 81. External Line Driver Interface

10.2 Typical Application

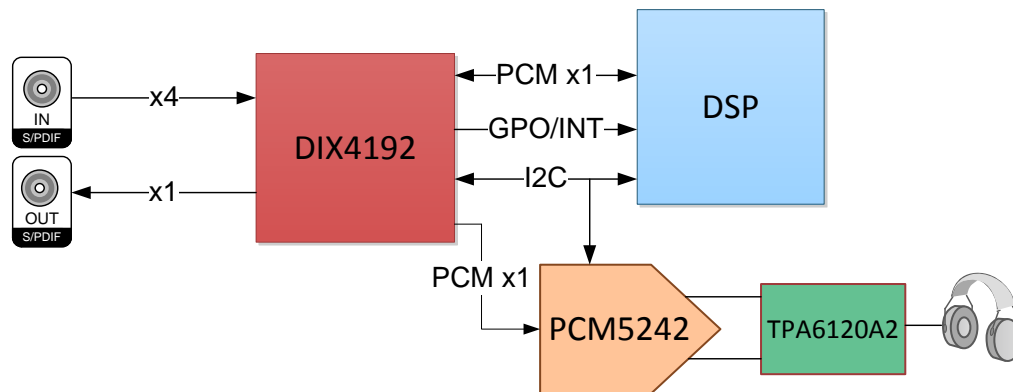


Figure 82. DIX4192 Typical Application

10.2.1 Design Requirements

For this design example, use the parameters listed in [Table 39](#).

Table 39. Design Parameters

DESIGN PARAMETER	EXAMPLE VALUE
Audio input	PCM x2, differential S and PDIF x4
Audio output	PCM x2, S and PDIF x4
Control	Host 1 ² C
RXCKI or MCLK	24.576 MHz

10.2.2 Detailed Design Procedure

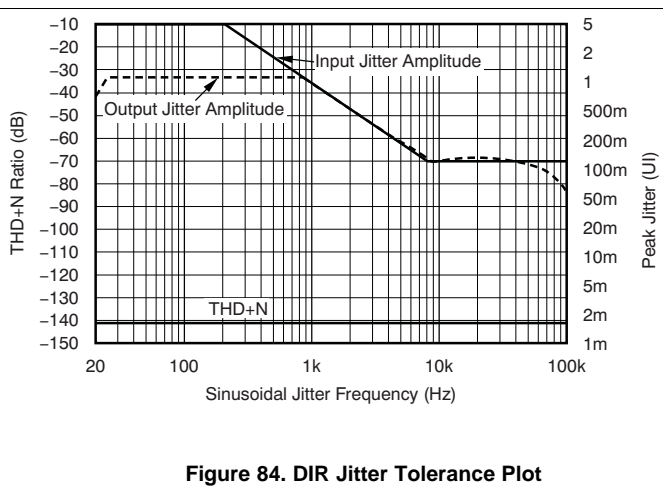
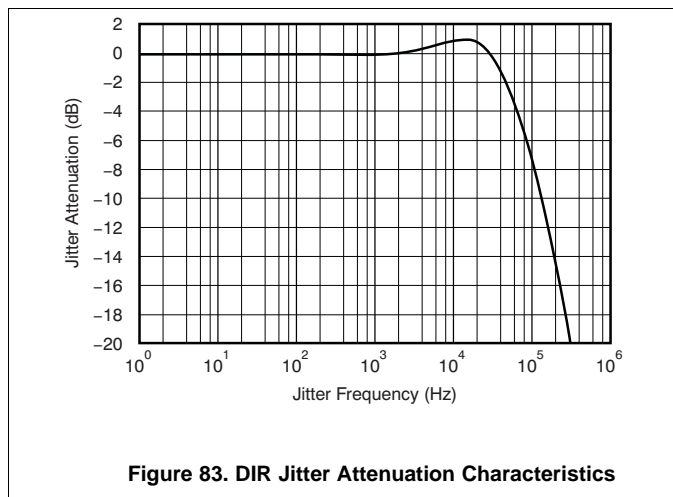
10.2.2.1 Differential Line Inputs and Output

The DIX4192 has a total of 4 differential Line inputs and one Differential Line output. The 4 inputs are MUXed to one port for decoding and the audio data is sent to the internal bus of the device. The differential line output can choose from either the AES3 encoder or directly from one of the RX inputs. The AES3 encoder can encode either of the serial ports or the DIR itself. User data and channel status data can be updated in registers.

10.2.2.2 Serial Ports

The DIX4192 has two serial ports which each support both input and output of PCM data. This allows a device to receive data from one of the serial ports and then return audio to the DIX4192 to be routed to another output of the DIX4192. For example in this application the DSP can receive audio from the DIX4192 that was input to the DIX4192 over S/PDIF, then after processing the DSP can send audio back the DIX4192 over the same serial port. This processed audio can then be sent back out the S/PDIF transmit port of the DIX4192 or to the PCM5242 DAC on the other serial port.

10.2.3 Application Curves



11 Power Supply Recommendations

The DIX4192 requires a 1.8-V and 3.3-V nominal supply rails. At least one 3.3-V supply is required for VCC, VDD33. VIO can operate at 1.8 V or at 3.3 V. VDD18 requires a 1.8-V nominal supply rail. The decoupling capacitors for the power supplies must be placed close to the device terminals.

12 Layout

12.1 Layout Guidelines

TI recommends to use one ground plane for the DIX4192. While using one ground plane, it is best to ensure that analog and digital circuitry be sufficiently partitioned on the PCB so that analog and digital return currents do not cross.

- Decoupling capacitors must be placed as close to power pins as possible (VCC, VDD33, VDD18, VIO).
- Further guidelines can be found in [Layout Example](#).

12.2 Layout Example

It is recommended to place a top layer ground pour for shielding around PCM9211 and connect to lower main PCB ground plane by multiple vias

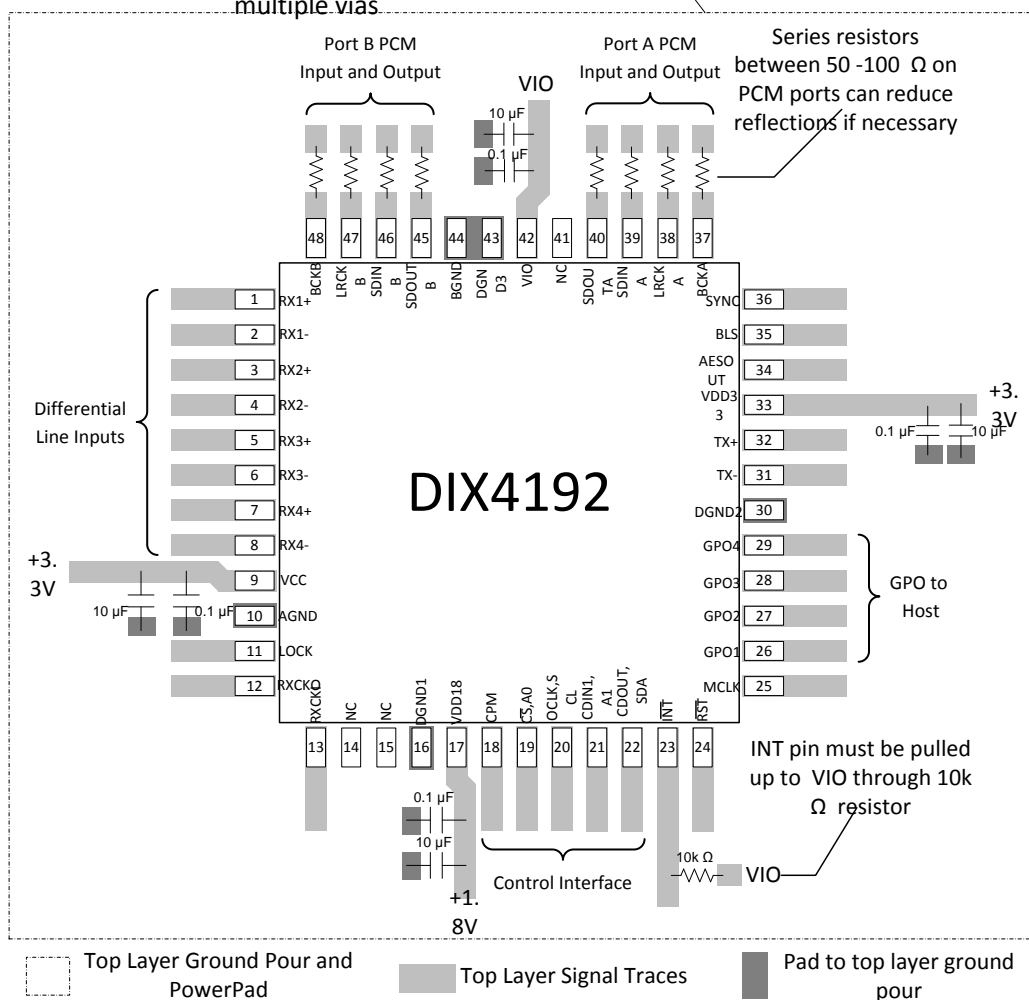


Figure 85. DIX4192 Board Layout

13 Device and Documentation Support

13.1 Device Support

13.1.1 Third-Party Products Disclaimer

TI'S PUBLICATION OF INFORMATION REGARDING THIRD-PARTY PRODUCTS OR SERVICES DOES NOT CONSTITUTE AN ENDORSEMENT REGARDING THE SUITABILITY OF SUCH PRODUCTS OR SERVICES OR A WARRANTY, REPRESENTATION OR ENDORSEMENT OF SUCH PRODUCTS OR SERVICES, EITHER ALONE OR IN COMBINATION WITH ANY TI PRODUCT OR SERVICE.

13.1.2 Development Support

For developmental support, see the following:

- AES web site: <http://www.aes.org>
- IEC web site: <http://www.iec.ch>
- ANSI web site: <http://www.ansi.org>
- Japanese Electronics and Information Technologies Industries Association (JEITA) website: <http://www.jeita.or.jp/english>
- Philips we site: <http://www.philips.com>
- Scientificconversion web site: <http://www.scientificconversion.com>
- Schott Magnetics web site: <http://www.schottcorp.com/>
- Pulse Electronics web site: <http://www.pulseelectronics.com/>

13.2 Documentation Support

13.2.1 Related Documentation

For related documentation, see the following:

- *DIT4096 96-kHz Digital Audio Transmitter*, [SBOS225](#)
- *DIT4192 192-kHz Digital Audio Transmitter*, [SBOS229](#)
- *SRC4184 4-Channel, Asynchronous Sample Rate Converter*, [SBFS026](#)
- *SRC419 x 192-kHz Stereo Asynchronous Sample-Rate Converters*, [SBFS022](#)
- *SN74LVC1G125 Single Bus Buffer Gate With 3-State Output*, [SCES223](#)
- *SN74AVC1T45 Single-Bit Dual-Supply Bus Transceiver With Configurable Voltage Translation and 3-State Outputs*, [SCES530](#)
- *SN75ALS191 Dual Differential Line Driver*, [SLLS032](#)

13.3 Receiving Notification of Documentation Updates

To receive notification of documentation updates, navigate to the device product folder on ti.com. In the upper right corner, click on *Alert me* to register and receive a weekly digest of any product information that has changed. For change details, review the revision history included in any revised document.

13.4 Community Resources

The following links connect to TI community resources. Linked contents are provided "AS IS" by the respective contributors. They do not constitute TI specifications and do not necessarily reflect TI's views; see TI's [Terms of Use](#).

TI E2E™ Online Community *TI's Engineer-to-Engineer (E2E) Community*. Created to foster collaboration among engineers. At e2e.ti.com, you can ask questions, share knowledge, explore ideas and help solve problems with fellow engineers.

Design Support *TI's Design Support* Quickly find helpful E2E forums along with design support tools and contact information for technical support.

13.5 Trademarks

E2E is a trademark of Texas Instruments.

13.5 Trademarks (continued)

Dolby is a registered trademark of Dolby Laboratories, Inc.

SPI is a trademark of Motorola.

I²S is a trademark of NXP Semiconductors.

All other trademarks are the property of their respective owners.

13.6 Electrostatic Discharge Caution



These devices have limited built-in ESD protection. The leads should be shorted together or the device placed in conductive foam during storage or handling to prevent electrostatic damage to the MOS gates.

13.7 Glossary

[SLYZ022](#) — *TI Glossary*.

This glossary lists and explains terms, acronyms, and definitions.

14 Mechanical, Packaging, and Orderable Information

The following pages include mechanical, packaging, and orderable information. This information is the most current data available for the designated devices. This data is subject to change without notice and revision of this document. For browser-based versions of this data sheet, refer to the left-hand navigation.

PACKAGING INFORMATION

Orderable part number	Status (1)	Material type (2)	Package Pins	Package qty Carrier	RoHS (3)	Lead finish/ Ball material (4)	MSL rating/ Peak reflow (5)	Op temp (°C)	Part marking (6)
DIX4192IPFB	Active	Production	TQFP (PFB) 48	250 JEDEC TRAY (5+1)	Yes	NIPDAU	Level-2-260C-1 YEAR	-40 to 85	DIX4192I
DIX4192IPFB.A	Active	Production	TQFP (PFB) 48	250 JEDEC TRAY (5+1)	Yes	NIPDAU	Level-2-260C-1 YEAR	-40 to 85	DIX4192I
DIX4192IPFBR	Active	Production	TQFP (PFB) 48	1000 LARGE T&R	Yes	NIPDAU	Level-2-260C-1 YEAR	-40 to 85	DIX4192I
DIX4192IPFBR.A	Active	Production	TQFP (PFB) 48	1000 LARGE T&R	Yes	NIPDAU	Level-2-260C-1 YEAR	-40 to 85	DIX4192I
DIX4192IPFBRG4	Active	Production	TQFP (PFB) 48	1000 LARGE T&R	Yes	NIPDAU	Level-2-260C-1 YEAR	-40 to 85	DIX4192I

(1) **Status:** For more details on status, see our [product life cycle](#).

(2) **Material type:** When designated, preproduction parts are prototypes/experimental devices, and are not yet approved or released for full production. Testing and final process, including without limitation quality assurance, reliability performance testing, and/or process qualification, may not yet be complete, and this item is subject to further changes or possible discontinuation. If available for ordering, purchases will be subject to an additional waiver at checkout, and are intended for early internal evaluation purposes only. These items are sold without warranties of any kind.

(3) **RoHS values:** Yes, No, RoHS Exempt. See the [TI RoHS Statement](#) for additional information and value definition.

(4) **Lead finish/Ball material:** Parts may have multiple material finish options. Finish options are separated by a vertical ruled line. Lead finish/Ball material values may wrap to two lines if the finish value exceeds the maximum column width.

(5) **MSL rating/Peak reflow:** The moisture sensitivity level ratings and peak solder (reflow) temperatures. In the event that a part has multiple moisture sensitivity ratings, only the lowest level per JEDEC standards is shown. Refer to the shipping label for the actual reflow temperature that will be used to mount the part to the printed circuit board.

(6) **Part marking:** There may be an additional marking, which relates to the logo, the lot trace code information, or the environmental category of the part.

Multiple part markings will be inside parentheses. Only one part marking contained in parentheses and separated by a "~" will appear on a part. If a line is indented then it is a continuation of the previous line and the two combined represent the entire part marking for that device.

Important Information and Disclaimer: The information provided on this page represents TI's knowledge and belief as of the date that it is provided. TI bases its knowledge and belief on information provided by third parties, and makes no representation or warranty as to the accuracy of such information. Efforts are underway to better integrate information from third parties. TI has taken and continues to take reasonable steps to provide representative and accurate information but may not have conducted destructive testing or chemical analysis on incoming materials and chemicals. TI and TI suppliers consider certain information to be proprietary, and thus CAS numbers and other limited information may not be available for release.

In no event shall TI's liability arising out of such information exceed the total purchase price of the TI part(s) at issue in this document sold by TI to Customer on an annual basis.

OTHER QUALIFIED VERSIONS OF DIX4192 :

- Automotive : [DIX4192-Q1](#)

NOTE: Qualified Version Definitions:

- Automotive - Q100 devices qualified for high-reliability automotive applications targeting zero defects

TAPE AND REEL INFORMATION

QUADRANT ASSIGNMENTS FOR PIN 1 ORIENTATION IN TAPE


*All dimensions are nominal

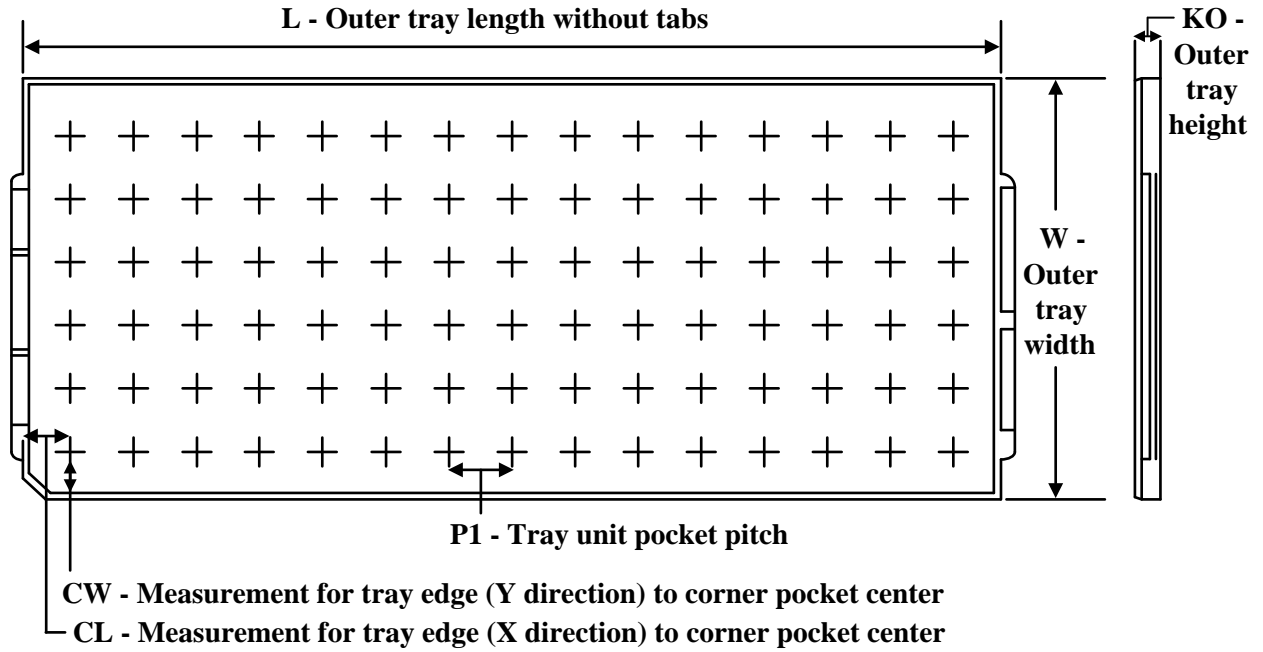
Device	Package Type	Package Drawing	Pins	SPQ	Reel Diameter (mm)	Reel Width W1 (mm)	A0 (mm)	B0 (mm)	K0 (mm)	P1 (mm)	W (mm)	Pin1 Quadrant
DIX4192IPFBR	TQFP	PFB	48	1000	330.0	16.4	9.6	9.6	1.5	12.0	16.0	Q2

TAPE AND REEL BOX DIMENSIONS


*All dimensions are nominal

Device	Package Type	Package Drawing	Pins	SPQ	Length (mm)	Width (mm)	Height (mm)
DIX4192IPFBR	TQFP	PFB	48	1000	350.0	350.0	43.0

TRAY

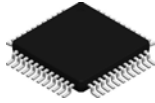


Chamfer on Tray corner indicates Pin 1 orientation of packed units.

*All dimensions are nominal

Device	Package Name	Package Type	Pins	SPQ	Unit array matrix	Max temperature (°C)	L (mm)	W (mm)	K0 (µm)	P1 (mm)	CL (mm)	CW (mm)
DIX4192IPFB	PFB	TQFP	48	250	10 x 25	150	315	135.9	7620	12.2	11.1	11.25
DIX4192IPFB.A	PFB	TQFP	48	250	10 x 25	150	315	135.9	7620	12.2	11.1	11.25

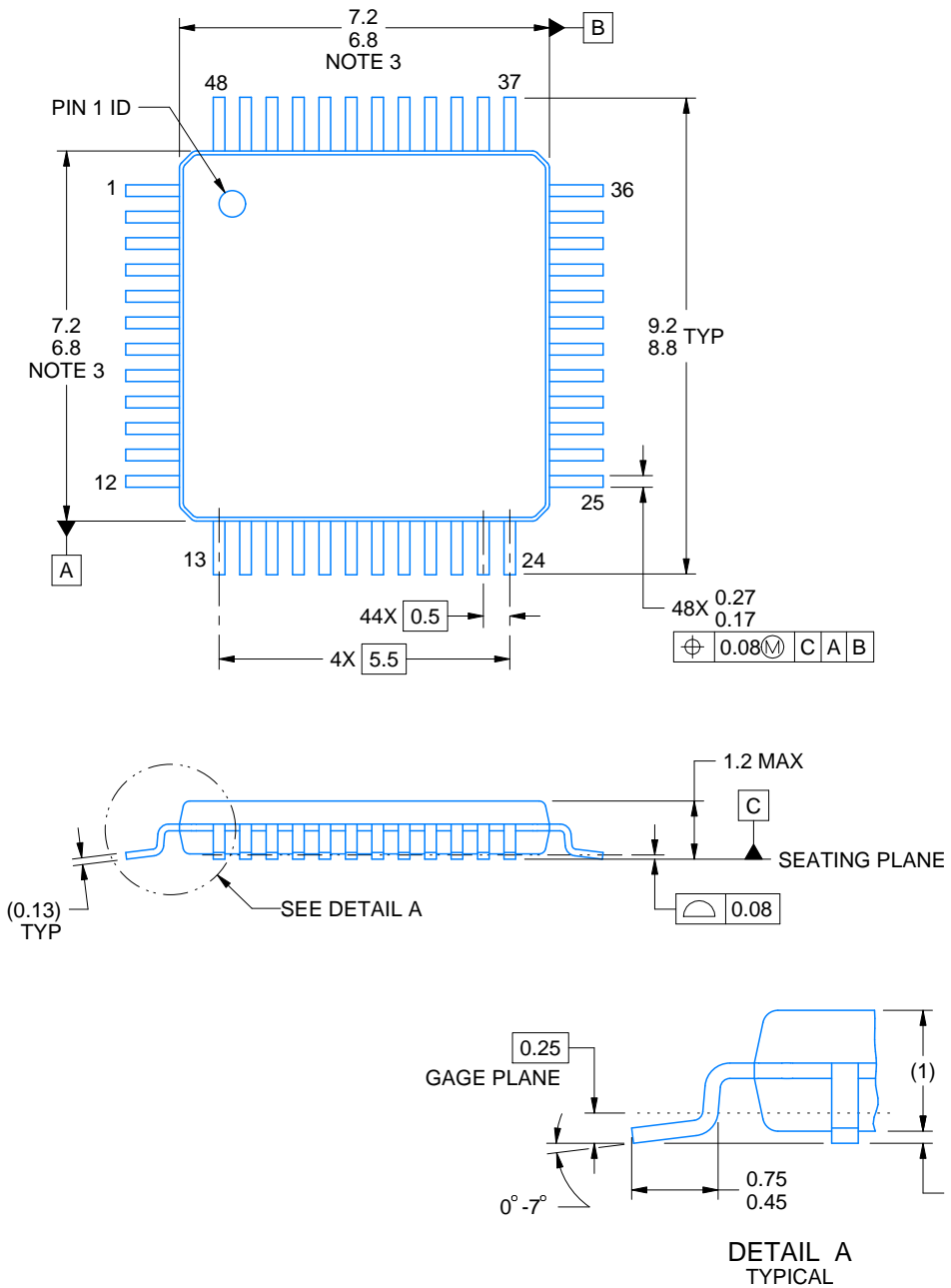
PFB0048A



PACKAGE OUTLINE

TQFP - 1.2 mm max height

PLASTIC QUAD FLATPACK



4215157/A 03/2024

NOTES:

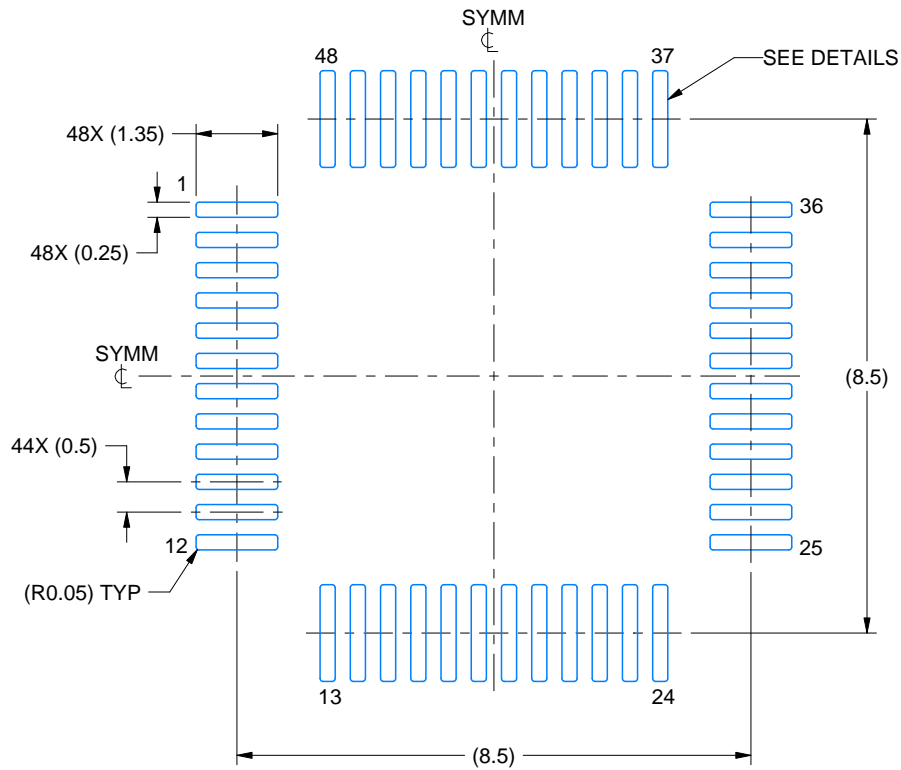
1. All linear dimensions are in millimeters. Any dimensions in parenthesis are for reference only. Dimensioning and tolerancing per ASME Y14.5M.
2. This drawing is subject to change without notice.
3. Reference JEDEC registration MS-026.

EXAMPLE BOARD LAYOUT

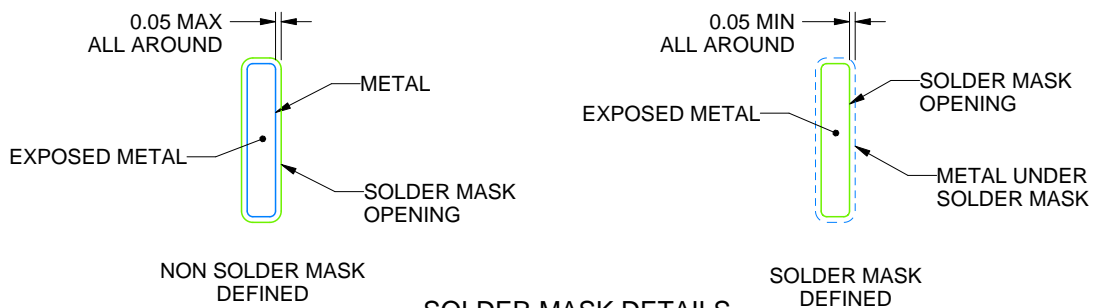
PFB0048A

TQFP - 1.2 mm max height

PLASTIC QUAD FLATPACK



LAND PATTERN EXAMPLE
EXPOSED METAL SHOWN
SCALE:8X



SOLDER MASK DETAILS

4215157/A 03/2024

NOTES: (continued)

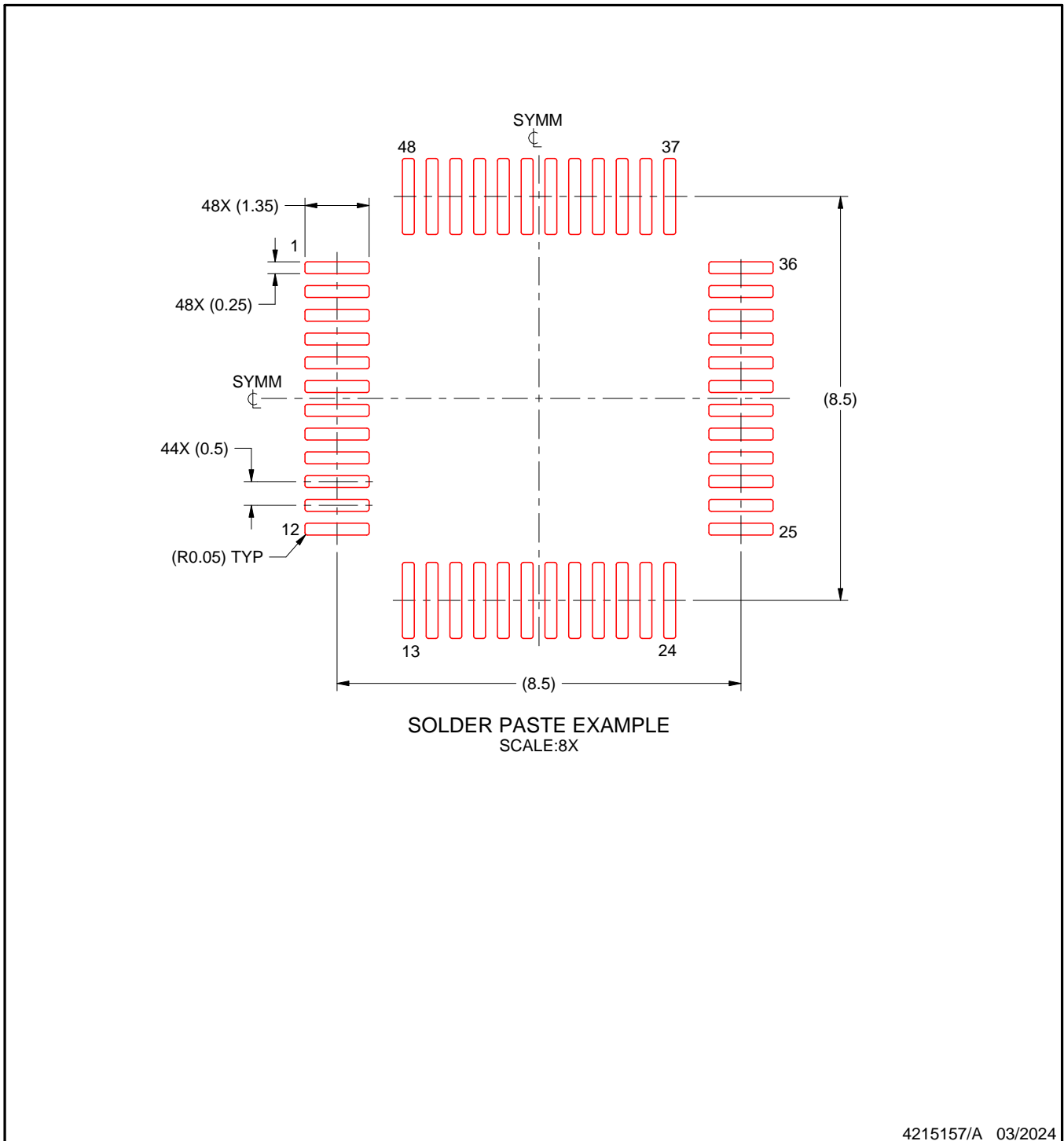
4. Publication IPC-7351 may have alternate designs.
5. Solder mask tolerances between and around signal pads can vary based on board fabrication site.

EXAMPLE STENCIL DESIGN

PFB0048A

TQFP - 1.2 mm max height

PLASTIC QUAD FLATPACK



NOTES: (continued)

6. Laser cutting apertures with trapezoidal walls and rounded corners may offer better paste release. IPC-7525 may have alternate design recommendations.
7. Board assembly site may have different recommendations for stencil design.

IMPORTANT NOTICE AND DISCLAIMER

TI PROVIDES TECHNICAL AND RELIABILITY DATA (INCLUDING DATASHEETS), DESIGN RESOURCES (INCLUDING REFERENCE DESIGNS), APPLICATION OR OTHER DESIGN ADVICE, WEB TOOLS, SAFETY INFORMATION, AND OTHER RESOURCES "AS IS" AND WITH ALL FAULTS, AND DISCLAIMS ALL WARRANTIES, EXPRESS AND IMPLIED, INCLUDING WITHOUT LIMITATION ANY IMPLIED WARRANTIES OF MERCHANTABILITY, FITNESS FOR A PARTICULAR PURPOSE OR NON-INFRINGEMENT OF THIRD PARTY INTELLECTUAL PROPERTY RIGHTS.

These resources are intended for skilled developers designing with TI products. You are solely responsible for (1) selecting the appropriate TI products for your application, (2) designing, validating and testing your application, and (3) ensuring your application meets applicable standards, and any other safety, security, regulatory or other requirements.

These resources are subject to change without notice. TI grants you permission to use these resources only for development of an application that uses the TI products described in the resource. Other reproduction and display of these resources is prohibited. No license is granted to any other TI intellectual property right or to any third party intellectual property right. TI disclaims responsibility for, and you fully indemnify TI and its representatives against any claims, damages, costs, losses, and liabilities arising out of your use of these resources.

TI's products are provided subject to [TI's Terms of Sale](#), [TI's General Quality Guidelines](#), or other applicable terms available either on [ti.com](#) or provided in conjunction with such TI products. TI's provision of these resources does not expand or otherwise alter TI's applicable warranties or warranty disclaimers for TI products. Unless TI explicitly designates a product as custom or customer-specified, TI products are standard, catalog, general purpose devices.

TI objects to and rejects any additional or different terms you may propose.

Copyright © 2025, Texas Instruments Incorporated

Last updated 10/2025