

## F29H85x, F29P58x, and F29P32x Real-Time Microcontrollers

### 1 Features

#### Real-time Processing

- Three C29x 64-bit CPUs (CPU1, CPU2, CPU3) running at 200MHz
  - 2x signal chain performance versus C28x with improved pipeline
  - Split lock and lockstep operating modes
- C29x CPU architecture
  - Byte addressability
  - High-performance real-time control with low latency
  - High-performance DSP and general-purpose processing capabilities
  - VLIW CPU executes 1 to 8 instructions in parallel
  - Fully protected pipeline
  - 8/16/32/64-bit single-cycle memory operations, up to two 64-bit memory reads and one 64-bit memory write in a single-cycle
  - IEEE 32-bit and 64-bit floating operations
  - 32-bit and 64-bit trigonometric operations
  - HW interrupt prioritization and nesting
  - 11-cycle real-time interrupt response
  - Atomic operations with memory protection
  - Multi safe island code execution managed in hardware

#### Memory

- 4MB of CPU-mappable flash (ECC-protected) capable of supporting Firmware Over the Air (FOTA) with A/B swap and LFU
- 256KB of Data-only Flash (ECC-protected)
- 452KB of RAM (ECC-protected)
- Dedicated 512KB Flash and 40KB RAM memories for HSM (ECC-protected)
- Built in ECC logic for system-wide safety

#### Safety Peripherals

- CPU1 and CPU2 lockstep
  - CPU1 and CPU2 splitlock mode is also available (for applications not needing functional safety or using methods like Reciprocal Comparison with multiple CPUs)
- Logic Power-On Self-Test (LPOST)
- Memory Power-On Self-Test (MPOST)
- Error Signaling Module (ESM)
- Dual-clock Comparator (DCC)
- Waveform Analyzer and Diagnostics (WADI)
- Context-sensitive Memory and Peripheral Protection with SSU
- Safety Interconnect (SIC)

- **Functional Safety-Compliant** targeted
  - Developed for functional safety applications
  - Documentation to aid ISO 26262 and IEC 61508 system design will be available upon production release
  - Systematic capability up to ASIL D and SIL 3 targeted
  - Hardware capability up to ASIL D and SIL 3 targeted
- Safety-related certification
  - ISO 26262 certification up to ASIL D and IEC 61508 SIL 3 by TÜV SÜD planned

#### Security

- Hardware Security Module (HSM)
  - Independently running Arm® Cortex®-M4 based security controller subsystem at 100MHz
  - 512KB of flash (ECC-protected)
  - 36KB of RAM (ECC-protected)
  - Secure key storage
  - Secure BOOT
  - Secure Debug
  - Dedicated 8-channel Real-Time Direct Memory Access (RTDMA) controller
  - EVITA-full support
  - FOTA with A/B swap
  - Hardware cryptographic accelerators
    - Asymmetric cryptography - RSA, ECC, SM2
    - Symmetric cryptography - AES, SM4
    - Hash operations - SHA2, HMAC, SM3
    - True Random Number Generator
- Safety and Security Unit (SSU)
  - Advanced Real-Time Safety and Security
    - 64 Memory Access Protection Ranges per CPU
    - Up to 15 user LINKs and 7 stack pointers per CPU for hardware code isolation
    - Power-on Self-test (POST) capability
    - FOTA and LFU support with rollback control

#### Analog Subsystem

- Five Analog-to-Digital Converters (ADCs)
  - Two 16-bit ADCs, 1.19MSPS each
  - Three 12-bit ADCs, 3.92MSPS each
  - Up to 80 single-ended or 16 differential inputs
  - 40 redundant input channels for flexibility
  - Separate sample-and-hold (S/H) on each ADC for simultaneous sampling
  - Hardware post-processing of conversions
  - Hardware oversampling (up to 128x) and undersampling modes, with accumulation, averaging and outlier rejection



- Programmable delay from SOC trigger to start of conversion
- Ten ADC Safety Checkers for comparison of conversion results across multiple ADC modules
- 12 windowed comparators with 12-bit Digital-to-Analog Converter (DAC) references
  - Connection options for internal temperature sensor and ADC reference
- Two 12-bit buffered DAC outputs

### Control Peripherals

- 36 Pulse Width Modulator (PWM) channels, all with high-resolution capability (HRPWM)
  - Minimum Dead-Band Logic (MINDB)
  - Illegal Combo Logic (ICL) for standard and high resolution
  - Diode Emulation (DE) support
  - Multilevel shadowing on XCMP
- Six Enhanced Capture (eCAP) modules
  - High-resolution Capture (HRCAP) available on two of the six eCAP modules
  - Two new monitor units for edge, pulse width and period that can be coupled with ePWM strobes and trip events
  - Increased 256 multiplexed capture inputs
  - New ADC SOC generation capability
- Six Enhanced Quadrature Encoder Pulse (eQEP) modules
- 16 Sigma-Delta Filter Module (SDFM) input channels, 2 independent filters per channel
- Embedded Pattern Generator (EPG)
- Configurable Logic Block (CLB)
  - Six tiles
  - Augments existing peripheral capability
  - Supports position manager solutions

### Communications Peripherals

- EtherCAT® SubordinateDevice (or SubDevice) Controller (ESC)
- Fast Serial Interface (FSI) with four transmitters and four receivers
- Five high-speed (up to 50MHz) SPI ports (pin-bootable)
- Six High-Speed Universal Asynchronous Receiver/Transmitters (UARTs) (pin-bootable)
- Two I2C interfaces (pin-bootable)
- Two Local Interconnect Network (LIN) (supports SCI)
- Power-Management Bus (PMBus) interface (supports I2C)
- Six Single Edge Nibble Transmission interface (SENT)

- Six Controller Area Networks with Flexible Data Rate (CAN FD/MCAN) (pin-bootable)

### Systems Peripherals

- External Memory Interface (EMIF) with ASRAM and SDRAM support
- Two 10-channel Real-Time Direct Memory Access (RTDMA) controllers with MPU
- Up to 190 usable signal pins
  - 136 General-Purpose Input/Output (GPIO) pins
  - 80 analog pins (26 AGPIOs included in GPIOs)
  - 5V fail-safe and tolerant capability on 6 GPIOs for PMBUS/I2C/SENT support
- Peripheral Interrupt Priority and Expansion (PIPE)
- Low-power mode (LPM) support
- Embedded Real-time Analysis and Diagnostic (ERAD)

### Clock and System Control

- On-chip crystal oscillator
- Windowed watchdog timer module
- Missing clock detection circuitry
- 1.25V core, 3.3V I/O design
  - Internal VREG for 1.25V generation
  - Brownout reset (BOR) circuit

### Package Options:

- Lead-free, green packaging
- 256-ball New Fine Pitch Ball Grid Array (nFBGA) [ZEX suffix], 13mm x 13mm/0.8mm pitch
- 176-pin Thermally Enhanced Thin Quad Flatpack (HTQFP) [PTS suffix], 22mm x 22mm/0.4mm pitch
- 144-pin HTQFP [RFS suffix], 18mm x 18mm/0.4mm pitch
- 100-pin HTQFP [PZS suffix], 14mm x 14mm/0.4mm pitch

### Recommended TPS653860-Q1 and TPS650366-Q1 Power Management ICs (PMIC)

- Companion PMICs specially designed to meet device power supply requirements
- Flexible mapping and factory programmed configurations to support different use cases
- Functional safety compliant PMICs to support external voltage monitoring and watchdog timer MCU safety requirements

### Temperature

- Ambient (T<sub>A</sub>): –40°C to 125°C

## 2 Applications

- On-board charger (OBC) with or without Host Integration
- HEV/EV DC/DC converter
- HEV/EV powertrain integration
- Electric power steering (EPS)
- Traction Inverter
- HVAC large commercial motor control
- Automated sorting equipment
- CNC control
- Central inverter
- String inverter
- Inverter & motor control
- Linear motor segment controller
- Servo drive control module
- Industrial AC-DC
- Three phase UPS
- Merchant network and server PSU

## 3 Description

The F29H85x, F29P58x, and F29P32x are members of the C2000™ real-time microcontroller family of scalable, ultra-low latency MCUs designed for efficiency in power electronics, motor control, and beyond, including but not limited to: high power density, high switching frequencies, and supporting the use of GaN and SiC technologies. The F29 product families feature the next-generation C29 CPU core, leading the industry with 2x performance from the previous-generation C28 CPU core. The C29 core also supports byte-addressing, with data types fully compatible with other popular CPU architectures, including the Arm® architecture, enabling a smooth migration for customers looking to go to market quickly. For more information, see [The C29 CPU – Unrivaled Real-Time Performance with Optimized Architecture on C2000™ MCUs](#) technical white paper.

These include such applications as:

- [HEV/EV powertrain](#) – helping enable single-stage OBC architectures
  - On-board chargers
  - DC/DC converters
  - Integrated powertrain
- [Safety and chassis](#) applications:
  - Electric power steering
  - Braking
- Motor control
  - [Traction inverter motor control](#) – enabling advanced and sophisticated control techniques to improve traction system efficiency
  - HVAC motor control
  - Mobile robot motor control
- Solar inverters
  - Central inverter
  - Micro inverter
  - String inverter
- Digital power
- Industrial motor drives
- EV charging infrastructure

The [real-time control subsystem](#) has up to three 200MHz C29x CPU cores (400MIPS per core, up to 1200MIPS on F29H85x). Due to the C29 CPU architecture and tightly coupled peripherals (PWM, ADC, CMPSS), we see better performance with a 200MHz C29 core versus our competition running at higher CPU clock speed for certain applications – backed by customer benchmarks.

Many features are included to support a system-level ASIL D functional safety solution. The C29x CPU1 and CPU2 cores can be put in lockstep for detection of permanent and transient faults. Logic Power-On Self-Test (LPOST) and Memory Power-On Self-Test (MPOST) provide start-up detection of latent faults. Safe interconnects provide fault detection between the CPU and the peripherals. The ADC safety checker compares ADC conversion results from multiple ADC modules without additional CPU cycles. The Waveform Analyzer and Diagnostic (WADI) can monitor multiple signals for proper operation and take action to make sure a safe state is maintained. The device architecture features a Safe Interconnect (SIC) for end-to-end code and data safety, with CPU-based ECC protection for all memories and peripheral endpoints.

Hardware Security Manager (HSM) provides EVITA-full security support. Features include Secure Boot, secure storage and keyring support, secure debug authentication, and cryptographic accelerator engines. The HSM enables secure key and code provisioning in untrusted factory environments, and supports Firmware-Over-The-Air updates of HSM and host application firmware, with A/B swap capability and rollback control.

SSU (Safety and Security unit) enables superior run-time safety and security features. This feature can be used create safety isolation (Freedom From Interference) among the threads running on same CPU or different CPUs. The SSU features a context-sensitive MPU mechanism that automatically switches access permissions in hardware based on currently executing thread or task. This eliminates software overhead, enabling real-time code performance without compromising system safety. The SSU provides multi-user debug authentication, and also supports Live Firmware Update (LFU) and FOTA for application firmware updates with A/B swap and rollback control. For more information, see the [Implementing Run-Time Safety and Security With the C29x Safety and Security Unit](#) Application Note.

High-performance analog blocks are tightly integrated with the processing and control units to provide optimal real-time signal chain performance. Two 16-bit Analog-to-Digital Converters (ADC) and three 12-bit ADCs have up to 80 analog channels as well as an integrated post-processing block and hardware oversampling. Two 12-bit buffered DACs and twenty-four comparator channels are available.

Thirty-six frequency-independent PWMs, all with high-resolution capability, enable control of multiple power stages, from 3-phase inverters to advanced multilevel power topologies. The PWMs have been enhanced with Minimum Dead-Band Logic (MINDL), Diode Emulation (DE), and Illegal Combo Logic (ICL) features.

The Configurable Logic Block (CLB) allows the user to add [custom logic](#) and potentially [integrate FPGA-like functions](#) into the C2000 real-time MCU.

An EtherCAT SubDevice Controller and other industry-standard protocols like CAN FD are available on this device. The [Fast Serial Interface \(FSI\)](#) enables up to 200Mbps of robust communications across an isolation boundary.

Want to learn more about features that make C2000 MCUs the right choice for your real-time control system? Check out [The Essential Guide for Developing With C2000™ Real-Time Microcontrollers](#) and visit the [C2000 real-time microcontrollers](#) page.

The [Getting Started With C2000™ Real-Time Control Microcontrollers \(MCUs\) Getting Started Guide](#) covers all aspects of development with C2000 devices from hardware to support resources. In addition to key reference documents, each section provides relevant links and resources to further expand on the information covered.

Ready to get started? Check out the [F29H85X-SOM-EVM](#) evaluation board, and download the [F29-SDK Foundational Software Development Kit \(SDK\)](#) for F29 real-time MCUs.

### Package Information

| PART NUMBER | PACKAGE <sup>(1)</sup> | PACKAGE SIZE <sup>(2)</sup> | BODY SIZE (NOM) | PITCH |
|-------------|------------------------|-----------------------------|-----------------|-------|
| F29H85xTxx  | ZEX (nFBGA, 256)       | 13mm × 13mm                 | 13mm × 13mm     | 0.8mm |
|             | PTS (HTQFP, 176)       | 22mm × 22mm                 | 20mm × 20mm     | 0.4mm |
|             | RFS (HTQFP, 144)       | 18mm × 18mm                 | 16mm × 16mm     | 0.4mm |
|             | PZS (HTQFP, 100)       | 14mm × 14mm                 | 12mm × 12mm     | 0.4mm |
| F29H85xDxx  | ZEX (nFBGA, 256)       | 13mm × 13mm                 | 13mm × 13mm     | 0.8mm |
|             | PTS (HTQFP, 176)       | 22mm × 22mm                 | 20mm × 20mm     | 0.4mm |
|             | RFS (HTQFP, 144)       | 18mm × 18mm                 | 16mm × 16mm     | 0.4mm |
|             | PZS (HTQFP, 100)       | 14mm × 14mm                 | 12mm × 12mm     | 0.4mm |
| F29P58xDxx  | ZEX (nFBGA, 256)       | 13mm × 13mm                 | 13mm × 13mm     | 0.8mm |
|             | PTS (HTQFP, 176)       | 22mm × 22mm                 | 20mm × 20mm     | 0.4mm |
|             | RFS (HTQFP, 144)       | 18mm × 18mm                 | 16mm × 16mm     | 0.4mm |
|             | PZS (HTQFP, 100)       | 14mm × 14mm                 | 12mm × 12mm     | 0.4mm |

**Package Information (continued)**

| PART NUMBER | PACKAGE <sup>(1)</sup> | PACKAGE SIZE <sup>(2)</sup> | BODY SIZE (NOM) | PITCH |
|-------------|------------------------|-----------------------------|-----------------|-------|
| F29P329Sxx  | RFS (HTQFP, 144)       | 18mm × 18mm                 | 16mm × 16mm     | 0.4mm |
|             | PZS (HTQFP, 100)       | 14mm × 14mm                 | 12mm × 12mm     | 0.4mm |

- (1) For more information, see the Mechanical, Packaging, and Orderable Information section.  
(2) The package size (length × width) is a nominal value and includes pins, where applicable.

**Device Information**

| PART NUMBER <sup>(1)</sup> | CPU                            | FREQUENCY | FLASH        | ADC                             | SECURE BOOT | EMIF<br>ETHERCAT |                                 |
|----------------------------|--------------------------------|-----------|--------------|---------------------------------|-------------|------------------|---------------------------------|
| F29H85xTU9                 | CPU1<br>CPU2<br>CPU3           | 200MHz    | 4MB          | 2 - 16-bit/12-bit<br>3 - 12-bit | Yes         | Yes              |                                 |
| F29H85xTU8                 |                                |           | 2MB          |                                 |             | –                |                                 |
| F29H85xTM8                 |                                |           |              |                                 |             | –                |                                 |
| F29H85xDU7                 | CPU1<br>CPU3                   | 200MHz    | 4MB          | 2 - 16-bit/12-bit<br>3 - 12-bit | Yes         | Yes              |                                 |
| F29H85xDU6                 |                                |           | 2MB          |                                 |             | –                |                                 |
| F29H85xDM7                 |                                |           |              |                                 |             | Yes              | Yes                             |
| F29H85xDM6                 |                                |           |              |                                 |             |                  | –                               |
| F29H85xDM4                 |                                |           | No           |                                 | –           |                  |                                 |
| F29H85xDM3                 |                                |           |              |                                 | Yes         |                  |                                 |
| F29P58xDU5                 |                                |           | CPU1<br>CPU2 |                                 | 200MHz      | 4MB              | 2 - 16-bit/12-bit<br>3 - 12-bit |
| F29P58xDM5                 | 2MB                            |           |              |                                 |             |                  |                                 |
| F29P329SM2                 | CPU1<br>CPU2<br>Fixed Lockstep | 200MHz    | 2MB          | 4 - 12-bit                      | Yes         | –                |                                 |
| F29P329SM1                 |                                |           | 1MB          | 3 - 12-bit                      |             |                  |                                 |
| F29P329SJ1                 |                                |           |              | 3 - 12-bit                      |             |                  |                                 |

- (1) For more information on these devices, see the Device Comparison table.

### 3.1 Functional Block Diagram

The Functional Block Diagram shows the CPU system and associated peripherals.

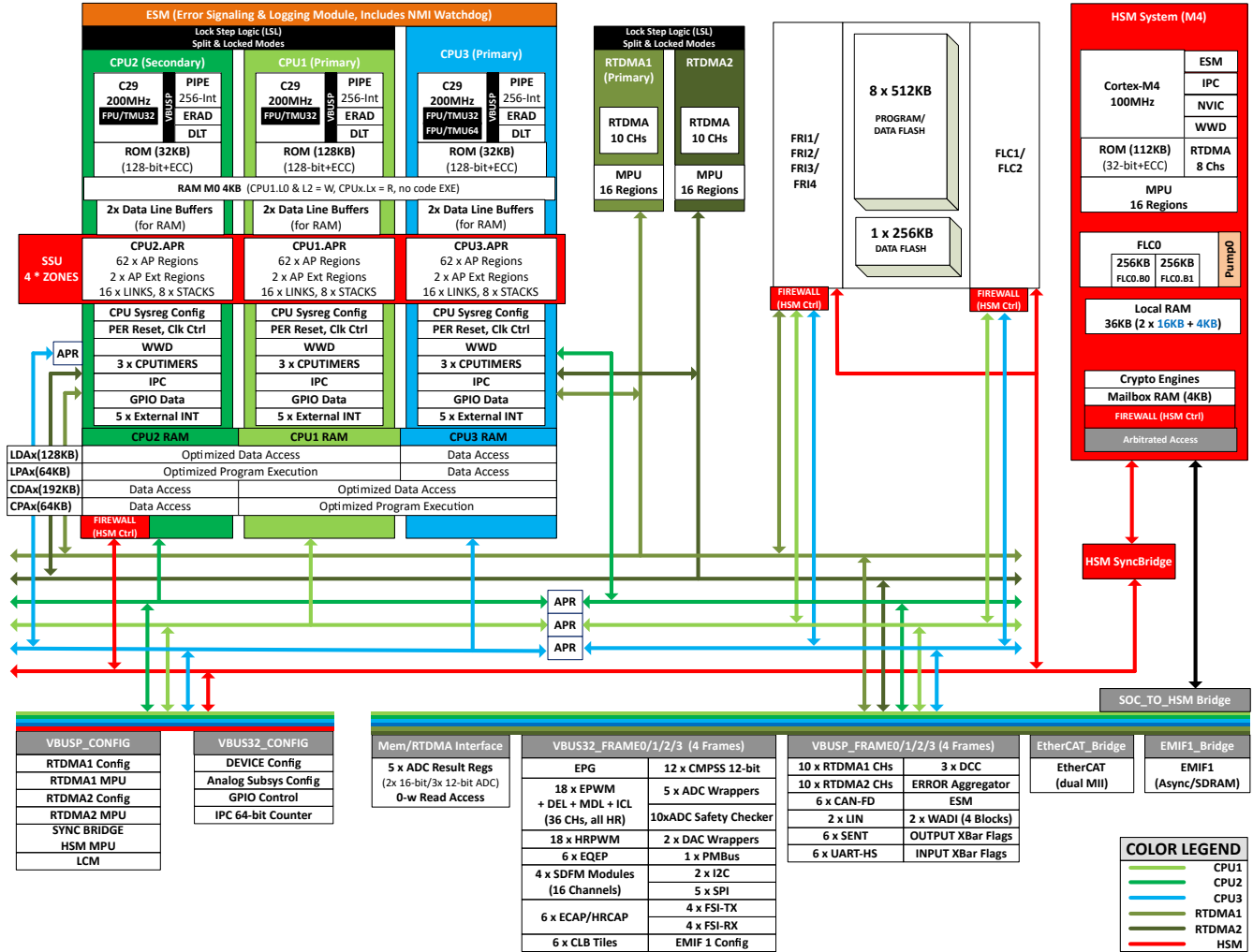


Figure 3-1. Functional Block Diagram

## Table of Contents

|                                                                 |     |                                                                        |     |
|-----------------------------------------------------------------|-----|------------------------------------------------------------------------|-----|
| <b>1 Features</b> .....                                         | 1   | 6.15 Thermal Design Considerations.....                                | 120 |
| <b>2 Applications</b> .....                                     | 3   | 6.16 System.....                                                       | 121 |
| <b>3 Description</b> .....                                      | 3   | 6.17 C29x Analog Peripherals.....                                      | 168 |
| 3.1 Functional Block Diagram.....                               | 6   | 6.18 C29x Control Peripherals.....                                     | 214 |
| <b>4 Device Comparison</b> .....                                | 8   | 6.19 C29x Communications Peripherals.....                              | 232 |
| 4.1 Related Products.....                                       | 13  | <b>7 Detailed Description</b> .....                                    | 264 |
| <b>5 Pin Configuration and Functions</b> .....                  | 14  | 7.1 Overview.....                                                      | 264 |
| 5.1 Pin Diagrams.....                                           | 14  | 7.2 Functional Block Diagram.....                                      | 266 |
| 5.2 Pin Attributes.....                                         | 23  | 7.3 Error Signaling Module (ESM_C29).....                              | 267 |
| 5.3 Signal Descriptions.....                                    | 69  | 7.4 Error Aggregator.....                                              | 269 |
| 5.4 Pins With Internal Pullup and Pulldown.....                 | 95  | 7.5 Memory.....                                                        | 272 |
| 5.5 Pin Multiplexing.....                                       | 96  | 7.6 Identification.....                                                | 296 |
| 5.6 Connections for Unused Pins.....                            | 104 | 7.7 Boot ROM.....                                                      | 297 |
| <b>6 Specifications</b> .....                                   | 105 | 7.8 Security Modules and Cryptographic Accelerators.....               | 311 |
| 6.1 Absolute Maximum Ratings.....                               | 105 | 7.9 C29x Subsystem.....                                                | 316 |
| 6.2 F29H85x ESD Ratings – Commercial.....                       | 106 | 7.10 Lockstep Compare Module (LCM).....                                | 330 |
| 6.3 F29H85x ESD Ratings – Automotive.....                       | 106 | <b>8 Applications, Implementation, and Layout</b> .....                | 331 |
| 6.4 F29P58x ESD Ratings – Commercial.....                       | 107 | 8.1 Reference Design.....                                              | 331 |
| 6.5 F29P58x ESD Ratings – Automotive.....                       | 108 | <b>9 Device and Documentation Support</b> .....                        | 332 |
| 6.6 F29P32x ESD Ratings – Automotive.....                       | 108 | 9.1 Device Nomenclature.....                                           | 332 |
| 6.7 Recommended Operating Conditions.....                       | 109 | 9.2 Markings.....                                                      | 333 |
| 6.8 Power Consumption Summary.....                              | 110 | 9.3 Tools and Software.....                                            | 335 |
| 6.9 Electrical Characteristics.....                             | 117 | 9.4 Documentation Support.....                                         | 336 |
| 6.10 Special Considerations for 5V Fail-Safe Pins.....          | 118 | 9.5 Support Resources.....                                             | 338 |
| 6.11 Thermal Resistance Characteristics for ZEX<br>Package..... | 119 | 9.6 Trademarks.....                                                    | 338 |
| 6.12 Thermal Resistance Characteristics for PTS<br>Package..... | 119 | 9.7 Electrostatic Discharge Caution.....                               | 338 |
| 6.13 Thermal Resistance Characteristics for RFS<br>Package..... | 119 | 9.8 Glossary.....                                                      | 338 |
| 6.14 Thermal Resistance Characteristics for PZS<br>Package..... | 120 | <b>10 Revision History</b> .....                                       | 339 |
|                                                                 |     | <b>11 Mechanical, Packaging, and Orderable<br/>  Information</b> ..... | 341 |
|                                                                 |     | 11.1 Packaging Information.....                                        | 341 |
|                                                                 |     | TRAY.....                                                              | 354 |

## 4 Device Comparison

Table 4-1 lists the features of the F29x devices.

Table 4-1. Device Comparison

| FEATURE <sup>(1)</sup>                                     |                                                 | AUTOMOTIVE                |         |         |              |         |          |         | COMMERCIAL                |              |         |         |         |         |              |         |
|------------------------------------------------------------|-------------------------------------------------|---------------------------|---------|---------|--------------|---------|----------|---------|---------------------------|--------------|---------|---------|---------|---------|--------------|---------|
|                                                            |                                                 | H859Tx8                   |         | H859Dx6 | P589Dx5      |         | P329Sxx  |         |                           | H850Tx9      | H850Dx7 |         | H850Dx6 | H850Dx4 | H850Dx3      | P580Dx5 |
|                                                            |                                                 | H859TU8                   | H859TM8 | H859DU6 | P589DU5      | P589DM5 | P329SJ1  | P329SM1 | P329SM2                   | H850TU9      | H850DU7 | H850DM7 | H850DM6 | H850DM4 | H850DM3      | P580DM5 |
| <b>C29x CPU Subsystem</b>                                  |                                                 |                           |         |         |              |         |          |         |                           |              |         |         |         |         |              |         |
| C29x – CPU1                                                | 32-bit Floating Point and Trig Instructions     | 200MHz                    |         |         |              |         |          |         | 200MHz                    |              |         |         |         |         |              |         |
| C29x – CPU2                                                | 32-bit Floating Point and Trig Instructions     | 200MHz                    |         | –       | 200MHz       |         | Lockstep |         |                           | 200MHz       |         | –       |         |         | 200MHz       |         |
| C29x – CPU3                                                | 64-bit Floating Point and Trig Instructions     | 200MHz                    |         |         | –            |         |          |         | 200MHz                    |              |         |         |         |         |              | –       |
| Lockstep capable (CPU1 can lockstep with CPU2)             |                                                 | Configurable              |         | –       | Configurable |         | Fixed    |         |                           | Configurable |         | –       |         |         | Configurable |         |
| RAM (ECC)                                                  | M0 (Shared CPU1/CPU2/CPU3)                      | 4KB                       |         |         | 4KB          |         |          |         | 4KB                       |              |         |         |         |         |              |         |
|                                                            | LPx (Program optimized CPU1/CPU2)               | 64KB                      |         |         | 64KB         |         |          |         | 64KB                      |              |         |         |         |         |              |         |
|                                                            | LDx (Data optimized CPU1/CPU2, shared with HSM) | 128KB                     |         |         | 128KB        |         |          |         | 128KB                     |              |         |         |         |         |              |         |
|                                                            | CPx (Program optimized CPU1/CPU3)               | 64KB                      |         |         | 64KB         |         |          |         | 64KB                      |              |         |         |         |         |              |         |
|                                                            | CDx (Data optimized CPU1/CPU3)                  | 192KB                     |         |         | –            |         |          |         | 192KB                     |              |         |         |         |         |              | –       |
|                                                            | Total                                           | 452KB                     |         |         | 260KB        |         |          |         | 452KB                     |              |         |         |         |         |              | 260KB   |
| Flash (ECC)                                                | C29x – CPU1/CPU3                                | 4MB                       | 2MB     | 4MB     | 4MB          | 2MB     | 1MB      | 2MB     | 4MB                       | 4MB          | 2MB     |         |         |         |              |         |
|                                                            | Data Bank (Supports Software EEPROM Emulation)  | 256KB                     |         |         |              | 128KB   |          |         | 256KB                     |              |         |         |         |         |              |         |
|                                                            | Firmware Over the Air (FOTA) support            | Yes                       |         |         |              |         |          |         | Yes                       |              |         |         |         |         |              |         |
|                                                            | Live Firmware Update (LFU) support              | Yes                       |         |         |              |         |          |         | Yes                       |              |         |         |         |         |              |         |
| <b>C29x System</b>                                         |                                                 |                           |         |         |              |         |          |         |                           |              |         |         |         |         |              |         |
| CPU timers                                                 |                                                 | 3 per CPU                 |         |         |              |         |          |         | 3 per CPU                 |              |         |         |         |         |              |         |
| Real-Time DMA (RTDMA) – 10 Channels Each                   |                                                 | 2 (Lockstep capable)      |         |         |              |         | 1        |         | 2 (Lockstep capable)      |              |         |         |         |         |              |         |
| Data-log and Trace (DLT) – Type 0                          |                                                 | 1 per CPU                 |         |         |              |         |          |         | 1 per CPU                 |              |         |         |         |         |              |         |
| Enhanced Real-time Analysis and Diagnostic (ERAD) – Type 5 |                                                 | 1 per CPU                 |         |         |              |         |          |         | 1 per CPU                 |              |         |         |         |         |              |         |
| External Memory Interface (EMIF) <sup>(2)</sup>            |                                                 | –                         |         |         |              |         |          |         | 1                         |              | –       |         |         | 1       | –            |         |
| Embedded Pattern Generator (EPG)                           |                                                 | Yes                       |         |         |              |         |          |         | Yes                       |              |         |         |         |         |              |         |
| Waveform Analysis and Diagnostic IP (WADI)                 |                                                 | 2 Instances with 4 blocks |         |         |              |         | –        |         | 2 Instances with 4 blocks |              |         |         |         |         |              |         |
| Windowed Watchdog Timer (WWD)                              |                                                 | 1 per CPU                 |         |         |              |         |          |         | 1 per CPU                 |              |         |         |         |         |              |         |
| Dual-clock Comparator (DCC)                                |                                                 | 3                         |         |         |              |         | 1        |         | 3                         |              |         |         |         |         |              |         |

**Table 4-1. Device Comparison (continued)**

| FEATURE <sup>(1)</sup>                                      | AUTOMOTIVE                                                  |         |                                                                                                      |                         |         |         |         | COMMERCIAL                                                  |                                |                                                                                  |         |         |         |                                |         |
|-------------------------------------------------------------|-------------------------------------------------------------|---------|------------------------------------------------------------------------------------------------------|-------------------------|---------|---------|---------|-------------------------------------------------------------|--------------------------------|----------------------------------------------------------------------------------|---------|---------|---------|--------------------------------|---------|
|                                                             | H859Tx8                                                     |         | H859Dx6                                                                                              | P589Dx5                 |         | P329Sxx |         |                                                             | H850Tx9                        | H850Dx7                                                                          |         | H850Dx6 | H850Dx4 | H850Dx3                        | P580Dx5 |
|                                                             | H859TU8                                                     | H859TM8 | H859DU6                                                                                              | P589DU5                 | P589DM5 | P329SJ1 | P329SM1 | P329SM2                                                     | H850TU9                        | H850DU7                                                                          | H850DM7 | H850DM6 | H850DM4 | H850DM3                        | P580DM5 |
| <b>Safety and Security</b>                                  |                                                             |         |                                                                                                      |                         |         |         |         |                                                             |                                |                                                                                  |         |         |         |                                |         |
| Functional Safety Capability <sup>(3)</sup>                 | ASIL D/SIL 3 (targeted)                                     |         | ASIL B/<br>SIL 2<br>(targeted)<br><sup>(6)</sup><br>ASIL D/<br>SIL 3<br>(targeted)<br><sup>(6)</sup> | ASIL D/SIL 3 (targeted) |         |         |         |                                                             | ASIL D/<br>SIL 3<br>(targeted) | ASIL B/SIL 2 (targeted) <sup>(6)</sup><br>ASIL D/SIL 3 (targeted) <sup>(6)</sup> |         | -       |         | ASIL D/<br>SIL 3<br>(targeted) |         |
| Error Signaling Module (ESM)                                | Yes                                                         |         |                                                                                                      |                         |         |         |         | Yes                                                         |                                |                                                                                  |         |         |         |                                |         |
| Hardware Security Module (HSM) with EVITA-full              | Yes [see the <i>Hardware Security Module (HSM)</i> section] |         |                                                                                                      |                         |         |         |         | Yes [see the <i>Hardware Security Module (HSM)</i> section] |                                |                                                                                  |         |         |         |                                |         |
| JTAG Lock                                                   | Yes                                                         |         |                                                                                                      |                         |         |         |         | Yes                                                         |                                |                                                                                  |         |         |         |                                |         |
| Logic Power-on Self-test (LPOST)                            | Yes                                                         |         |                                                                                                      |                         |         |         |         | Yes                                                         |                                |                                                                                  |         |         |         |                                |         |
| Memory Power-on Self-test (MPOST)                           | Yes                                                         |         |                                                                                                      |                         |         |         |         | Yes                                                         |                                |                                                                                  |         |         |         |                                |         |
| Safety and Security (SSU) module                            | Yes                                                         |         |                                                                                                      |                         |         |         |         | Yes                                                         |                                |                                                                                  |         |         |         |                                |         |
| SSU Access Protection Regions (APR)                         | 64 per CPU                                                  |         |                                                                                                      |                         |         |         |         | 64 per CPU                                                  |                                |                                                                                  |         |         |         |                                |         |
| <b>Hardware Security Manager (HSM) Subsystem</b>            |                                                             |         |                                                                                                      |                         |         |         |         |                                                             |                                |                                                                                  |         |         |         |                                |         |
| Cortex-M4                                                   | 100MHz                                                      |         |                                                                                                      |                         |         |         |         | 100MHz                                                      |                                |                                                                                  |         |         |         |                                |         |
| Nested Vectored Interrupt Controller (NVIC)                 | 64 Interrupts                                               |         |                                                                                                      |                         |         |         |         | 64 Interrupts                                               |                                |                                                                                  |         |         |         |                                |         |
| HSM Real-Time DMA (RTDMA) – 8 Channels                      | 1                                                           |         |                                                                                                      |                         |         |         |         | 1                                                           |                                |                                                                                  |         |         |         |                                |         |
| HSM Error Signaling Module (HSM-ESM)                        | Yes                                                         |         |                                                                                                      |                         |         |         |         | Yes                                                         |                                |                                                                                  |         |         |         |                                |         |
| Dual-clock Comparator (DCC)                                 | 1                                                           |         |                                                                                                      |                         |         |         |         | 1                                                           |                                |                                                                                  |         |         |         |                                |         |
| Dual Mode Timer (DMTimer)                                   | 2                                                           |         |                                                                                                      |                         |         |         |         | 2                                                           |                                |                                                                                  |         |         |         |                                |         |
| Real-time Clock (RTC) Counter                               | 1                                                           |         |                                                                                                      |                         |         |         |         | 1                                                           |                                |                                                                                  |         |         |         |                                |         |
| Real-time Interrupt (RTI) Timer                             | 1                                                           |         |                                                                                                      |                         |         |         |         | 1                                                           |                                |                                                                                  |         |         |         |                                |         |
| Secure Boot                                                 | Yes                                                         |         |                                                                                                      |                         |         |         |         | Yes                                                         |                                | No                                                                               |         | Yes     |         |                                |         |
| HSM Windowed Watchdog Timer                                 | 1                                                           |         |                                                                                                      |                         |         |         |         | 1                                                           |                                |                                                                                  |         |         |         |                                |         |
| Security Manager                                            | Yes                                                         |         |                                                                                                      |                         |         |         |         | Yes                                                         |                                |                                                                                  |         |         |         |                                |         |
| Flash                                                       | HSM                                                         |         | 512KB                                                                                                |                         |         | 256KB   |         |                                                             | 512KB                          |                                                                                  |         |         |         |                                |         |
|                                                             | Firmware Over the Air (FOTA) support                        |         | Yes                                                                                                  |                         |         |         |         |                                                             |                                | Yes                                                                              |         |         |         |                                |         |
| RAM                                                         | Local                                                       |         | 36KB                                                                                                 |                         |         |         |         |                                                             | 36KB                           |                                                                                  |         |         |         |                                |         |
|                                                             | LDAx (Shared with C29x)                                     |         | 128KB                                                                                                |                         |         |         |         |                                                             | 128KB                          |                                                                                  |         |         |         |                                |         |
|                                                             | Mailbox                                                     |         | 4KB                                                                                                  |                         |         |         |         |                                                             | 4KB                            |                                                                                  |         |         |         |                                |         |
| <b>Cryptographic Accelerators (Mappable to HSM or C29x)</b> |                                                             |         |                                                                                                      |                         |         |         |         |                                                             |                                |                                                                                  |         |         |         |                                |         |
| True Random Number Generator (TRNG)                         | Yes                                                         |         |                                                                                                      |                         |         |         |         | Yes                                                         |                                | No                                                                               |         | Yes     |         |                                |         |
| Deterministic Random Bit Generator (DRBG)                   | Yes                                                         |         |                                                                                                      |                         |         |         |         | Yes                                                         |                                | No                                                                               |         | Yes     |         |                                |         |
| CRC Engine                                                  | Yes                                                         |         |                                                                                                      |                         |         |         |         | Yes                                                         |                                | No                                                                               |         | Yes     |         |                                |         |
| Symmetric Cryptography                                      | Advance Encryption Standard (AES)                           |         | Yes                                                                                                  |                         |         |         |         |                                                             | Yes                            |                                                                                  | No      |         | Yes     |                                |         |
|                                                             | SM4                                                         |         | Yes                                                                                                  |                         |         |         |         |                                                             | Yes                            |                                                                                  | No      |         | Yes     |                                |         |

**Table 4-1. Device Comparison (continued)**

| FEATURE <sup>(1)</sup>                          |                                                | AUTOMOTIVE |         |         |                                      |         |                |         | COMMERCIAL       |         |         |         |         |         |          |                                      |     |
|-------------------------------------------------|------------------------------------------------|------------|---------|---------|--------------------------------------|---------|----------------|---------|------------------|---------|---------|---------|---------|---------|----------|--------------------------------------|-----|
|                                                 |                                                | H859Tx8    |         | H859Dx6 | P589Dx5                              |         | P329Sxx        |         |                  | H850Tx9 | H850Dx7 |         | H850Dx6 | H850Dx4 | H850Dx3  | P580Dx5                              |     |
|                                                 |                                                | H859TU8    | H859TM8 | H859DU6 | P589DU5                              | P589DM5 | P329SJ1        | P329SM1 | P329SM2          | H850TU9 | H850DU7 | H850DM7 | H850DM6 | H850DM4 | H850DM3  | P580DM5                              |     |
| Asymmetric Cryptography                         | Public Key Accelerator (PKA): ECC, RSA         | Yes        |         |         |                                      |         |                |         | Yes              |         |         |         |         |         |          | No                                   | Yes |
|                                                 | SM2                                            | Yes        |         |         |                                      |         |                |         | Yes              |         |         |         |         |         |          | No                                   | Yes |
| Hashing Function                                | Hash-based Message Authentication Codes (HMAC) | Yes        |         |         |                                      |         |                |         | Yes              |         |         |         |         |         |          | No                                   | Yes |
|                                                 | Secure Hash Algorithm (SHA)                    | Yes        |         |         |                                      |         |                |         | Yes              |         |         |         |         |         |          | No                                   | Yes |
|                                                 | MD5                                            | Yes        |         |         |                                      |         |                |         | Yes              |         |         |         |         |         |          | No                                   | Yes |
|                                                 | SM3                                            | Yes        |         |         |                                      |         |                |         | Yes              |         |         |         |         |         |          | No                                   | Yes |
| <b>GPIO Pins, Analog Pins, and Power Supply</b> |                                                |            |         |         |                                      |         |                |         |                  |         |         |         |         |         |          |                                      |     |
| Internal 3.3-V to 1.25-V Voltage Regulator      |                                                | –          |         |         | 100-pin (100MHz) only <sup>(4)</sup> |         |                |         |                  | –       |         |         |         |         |          | 100-pin (100MHz) only <sup>(4)</sup> |     |
| Digital GPIO                                    | 256-ball ZEX BGA                               | 110        | –       | 110     |                                      | –       |                |         | 110              |         | –       |         | 110     |         |          |                                      |     |
|                                                 | 176-pin PTS HTQFP                              | 86         | –       | 86      |                                      | –       |                |         | 86               |         | –       |         | 86      |         |          |                                      |     |
|                                                 | 144-pin RFS HTQFP                              |            |         |         | 65                                   |         |                |         |                  | 65      |         | –       |         | 85      |          |                                      |     |
|                                                 | 100-pin PZS HTQFP                              |            |         |         | 46                                   |         |                |         |                  | –       |         |         |         | 46      |          |                                      |     |
| Analog or Digital Bi-directional (AGPIO)        | 256-ball ZEX BGA                               | 26         | –       | 26      |                                      | –       |                |         | 26               |         | –       |         | 26      |         |          |                                      |     |
|                                                 | 176-pin PTS HTQFP                              | 26         | –       | 26      |                                      | –       |                |         | 26               |         | –       |         | 26      |         |          |                                      |     |
|                                                 | 144-pin RFS HTQFP                              |            |         |         | 16                                   |         |                |         |                  | 16      |         | –       |         | 16      |          |                                      |     |
|                                                 | 100-pin PZS HTQFP                              |            |         |         | 8                                    |         |                |         |                  | –       |         |         |         | 8       |          |                                      |     |
| Analog or Digital Input (AIO)                   | 256-ball ZEX BGA                               | 54         | –       | 54      |                                      | –       |                |         | 54               |         | –       |         | 54      |         |          |                                      |     |
|                                                 | 176-pin PTS HTQFP                              | 28         | –       | 28      |                                      | –       |                |         | 28               |         | –       |         | 28      |         |          |                                      |     |
|                                                 | 144-pin RFS HTQFP                              |            |         |         | 28                                   |         |                |         |                  | 28      |         | –       |         | 28      |          |                                      |     |
|                                                 | 100-pin PZS HTQFP                              |            |         |         | 16                                   |         |                |         |                  | –       |         |         |         | 16      |          |                                      |     |
| Total Signal pins (GPIO, AGPIO and AIO)         | 256-ball ZEX BGA                               | 190        | –       | 190     |                                      | –       |                |         | 190              |         | –       |         | 190     |         |          |                                      |     |
|                                                 | 176-pin PTS HTQFP                              | 140        | –       | 140     |                                      | –       |                |         | 140              |         | –       |         | 140     |         |          |                                      |     |
|                                                 | 144-pin RFS HTQFP                              |            |         |         | 109                                  |         |                |         |                  | 109     |         | –       |         | 109     |          |                                      |     |
|                                                 | 100-pin PZS HTQFP                              |            |         |         | 70                                   |         |                |         |                  | –       |         |         |         | 70      |          |                                      |     |
| <b>Analog Peripherals<sup>(7)</sup></b>         |                                                |            |         |         |                                      |         |                |         |                  |         |         |         |         |         |          |                                      |     |
| ADC 16/12-bit Modules ADC AB – Type 4           | Number                                         | 2          |         | 2       |                                      | 0       |                |         | 2                |         |         |         |         |         |          |                                      |     |
|                                                 | 16-bit mode Throughput                         |            |         |         | 1.19MSPS                             |         |                |         |                  |         |         |         |         |         | 1.19MSPS |                                      |     |
|                                                 | 16-bit mode Conversion Time <sup>(5)</sup>     |            |         |         | 840ns                                |         |                |         |                  |         |         |         |         |         | 840ns    |                                      |     |
|                                                 | 12-bit mode Throughput                         |            |         |         | 3.92MSPS                             |         |                |         |                  |         |         |         |         |         | 3.92MSPS |                                      |     |
|                                                 | 12-bit mode Conversion Time <sup>(5)</sup>     |            |         |         | 255ns                                |         |                |         |                  |         |         |         |         |         | 255ns    |                                      |     |
| ADC 12-bit Modules ADC CDE – Type 5             | Number                                         |            |         |         | 3                                    |         | 3<br>ADC A,B,C |         | 4<br>ADC A,B,C,D |         |         |         |         |         |          | 3                                    |     |
|                                                 | Throughput                                     |            |         |         | 3.92MSPS                             |         |                |         |                  |         |         |         |         |         | 3.92MSPS |                                      |     |
|                                                 | Conversion Time <sup>(5)</sup>                 |            |         |         | 255ns                                |         |                |         |                  |         |         |         |         |         | 255ns    |                                      |     |

**Table 4-1. Device Comparison (continued)**

| FEATURE <sup>(1)</sup>                                               |                              | AUTOMOTIVE       |         |         |         |         |                              |                   | COMMERCIAL |                              |                  |         |                              |         |         |         |    |  |
|----------------------------------------------------------------------|------------------------------|------------------|---------|---------|---------|---------|------------------------------|-------------------|------------|------------------------------|------------------|---------|------------------------------|---------|---------|---------|----|--|
|                                                                      |                              | H859Tx8          |         | H859Dx6 | P589Dx5 |         | P329Sxx                      |                   |            | H850Tx9                      | H850Dx7          |         | H850Dx6                      | H850Dx4 | H850Dx3 | P580Dx5 |    |  |
|                                                                      |                              | H859TU8          | H859TM8 | H859DU6 | P589DU5 | P589DM5 | P329SJ1                      | P329SM1           | P329SM2    | H850TU9                      | H850DU7          | H850DM7 | H850DM6                      | H850DM4 | H850DM3 | P580DM5 |    |  |
| ADC channels (16-bit single-ended mode)<br>Modules ADC AB            | 256-ball ZEX BGA             | 32               |         |         | 0       |         |                              | 32                |            |                              | –                |         | 32                           |         |         |         |    |  |
|                                                                      | 176-pin PTS HTQFP            | 26               |         |         | 0       |         |                              | 26                |            |                              | –                |         | 26                           |         |         |         |    |  |
|                                                                      | 144-pin RFS HTQFP            | 21               |         |         | 0       |         |                              | 21                |            |                              | –                |         | 21                           |         |         |         |    |  |
|                                                                      | 100-pin PZS HTQFP            | 12               |         |         | 0       |         |                              | –                 |            |                              | –                |         | 12                           |         |         |         |    |  |
| ADC channels (differential mode)<br>Modules ADC AB                   | 256-ball ZEX BGA             | 16               |         |         | 0       |         |                              | 16                |            |                              | –                |         | 16                           |         |         |         |    |  |
|                                                                      | 176-pin PTS HTQFP            | 13               |         |         | 0       |         |                              | 13                |            |                              | –                |         | 13                           |         |         |         |    |  |
|                                                                      | 144-pin RFS HTQFP            | 10               |         |         | 0       |         |                              | 10                |            |                              | –                |         | 10                           |         |         |         |    |  |
|                                                                      | 100-pin PZS HTQFP            | 6                |         |         | 0       |         |                              | –                 |            |                              | –                |         | 6                            |         |         |         |    |  |
| ADC channels (12-bit single-ended mode)<br>All ADC Modules           | 256-ball ZEX BGA             | 80               |         |         | –       |         |                              | 80                |            |                              | –                |         | 80                           |         |         |         |    |  |
|                                                                      | 176-pin PTS HTQFP            | 54               |         |         | –       |         |                              | 54                |            |                              | –                |         | 54                           |         |         |         |    |  |
|                                                                      | 144-pin RFS HTQFP            | 44               |         |         | –       |         |                              | 44                |            |                              | –                |         | 44                           |         |         |         |    |  |
|                                                                      | 100-pin PZS HTQFP            | 24               |         |         | –       |         |                              | –                 |            |                              | –                |         | 24                           |         |         |         |    |  |
| Temperature sensor                                                   | 1                            |                  |         | 1       |         |         | 1                            |                   |            | 1                            |                  |         | 1                            |         |         |         |    |  |
| Buffered DAC – Type 1                                                | 2                            |                  |         | –       |         |         | 2                            |                   |            | 2                            |                  |         | 2                            |         |         |         |    |  |
| CMPSS (two comparators and two internal DACs) – Type 6               | 12                           |                  |         | 1       |         |         | 4                            |                   |            | 12                           |                  |         | 12                           |         |         |         |    |  |
| <b>Control Peripherals<sup>(7)</sup></b>                             |                              |                  |         |         |         |         |                              |                   |            |                              |                  |         |                              |         |         |         |    |  |
| Configurable Logic Block (CLB) – Type 3                              | 6 Tiles                      |                  |         | 4 Tiles |         |         | –                            |                   |            | 3                            |                  |         | 6 Tiles                      |         |         | 4 Tiles |    |  |
| ePWM – Type 5                                                        | Total Channels               | 36               |         |         | 24      |         |                              | 16 <sup>(8)</sup> |            |                              | 36               |         |                              | 24      |         |         |    |  |
|                                                                      | HRPWM Capable                | 36               |         |         | 24      |         |                              | –                 |            |                              | 16               |         |                              | 36      |         |         | 24 |  |
| eCAP – Type 3                                                        | Total Modules                | 6                |         |         | 6       |         |                              | 4                 |            |                              | 6                |         |                              | 6       |         |         |    |  |
|                                                                      | HRCAP Capable                | 2 (eCAP5, eCAP6) |         |         | –       |         |                              | –                 |            |                              | 2 (eCAP5, eCAP6) |         |                              | –       |         |         |    |  |
| eQEP modules – Type 2                                                | 6                            |                  |         | 4       |         |         | 6                            |                   |            | 6                            |                  |         | 4                            |         |         |         |    |  |
| Sigma-Delta Filter Module (SDFM) Channels – Type 2                   | 16 Channels (4 SDFM modules) |                  |         | –       |         |         | 16 Channels (4 SDFM modules) |                   |            | 16 Channels (4 SDFM modules) |                  |         | 16 Channels (4 SDFM modules) |         |         |         |    |  |
| <b>Communication Peripherals<sup>(7)</sup></b>                       |                              |                  |         |         |         |         |                              |                   |            |                              |                  |         |                              |         |         |         |    |  |
| CAN with Flexible Data-Rate (CAN FD) – Type 2                        | 6                            |                  |         | 4       |         |         | 3                            |                   |            | 6                            |                  |         | 4                            |         |         |         |    |  |
| Ethernet for Control Automation Technology (EtherCAT) <sup>(2)</sup> | –                            |                  |         | –       |         |         | 1                            |                   |            | –                            |                  |         | 1                            |         |         |         |    |  |
| Fast Serial Interface (FSI) RX – Type 2                              | 4                            |                  |         | 3       |         |         | 2                            |                   |            | 4                            |                  |         | 3                            |         |         |         |    |  |
| Fast Serial Interface (FSI) TX – Type 2                              | 4                            |                  |         | 3       |         |         | 2                            |                   |            | 4                            |                  |         | 3                            |         |         |         |    |  |
| Inter-Integrated Circuit (I2C) – Type 2                              | 2                            |                  |         | 2       |         |         | 2                            |                   |            | 2                            |                  |         | 2                            |         |         |         |    |  |
| LIN – Type 1 (UART-Compatible)                                       | 2                            |                  |         | 2       |         |         | 2                            |                   |            | 2                            |                  |         | 2                            |         |         |         |    |  |
| Power Management Bus (PMBus) 1.1 – Type 0                            | 1                            |                  |         | 1       |         |         | 1                            |                   |            | 1                            |                  |         | 1                            |         |         |         |    |  |
| High Speed UART (HS-UART) – Type 1                                   | 6                            |                  |         | 4       |         |         | 2                            |                   |            | 6                            |                  |         | 4                            |         |         |         |    |  |
| Single Edge Nibble Transmission (SENT) – Type 1                      | 6                            |                  |         | 4       |         |         | 6                            |                   |            | 6                            |                  |         | 6                            |         |         |         |    |  |
| SPI – Type 2                                                         | 5                            |                  |         | 5       |         |         | 5                            |                   |            | 5                            |                  |         | 5                            |         |         |         |    |  |

**Table 4-1. Device Comparison (continued)**

| FEATURE <sup>(1)</sup>                                 |                                        | AUTOMOTIVE                               |                    |                                          |                                          |                                          |                    |         | COMMERCIAL         |                    |                    |         |         |                    |                               |         |
|--------------------------------------------------------|----------------------------------------|------------------------------------------|--------------------|------------------------------------------|------------------------------------------|------------------------------------------|--------------------|---------|--------------------|--------------------|--------------------|---------|---------|--------------------|-------------------------------|---------|
|                                                        |                                        | H859Tx8                                  |                    | H859Dx6                                  | P589Dx5                                  |                                          | P329Sxx            |         |                    | H850Tx9            | H850Dx7            |         | H850Dx6 | H850Dx4            | H850Dx3                       | P580Dx5 |
|                                                        |                                        | H859TU8                                  | H859TM8            | H859DU6                                  | P589DU5                                  | P589DM5                                  | P329SJ1            | P329SM1 | P329SM2            | H850TU9            | H850DU7            | H850DM7 | H850DM6 | H850DM4            | H850DM3                       | P580DM5 |
| <b>Package Options, Temperature, and Qualification</b> |                                        |                                          |                    |                                          |                                          |                                          |                    |         |                    |                    |                    |         |         |                    |                               |         |
| Q and S<br>Temperature Codes                           | AEC-Q100 Qualification                 | Grade 1                                  |                    |                                          |                                          |                                          |                    |         | -                  |                    |                    |         |         |                    |                               |         |
|                                                        | Junction temperature (T <sub>J</sub> ) | -40°C to 150°C                           |                    |                                          |                                          |                                          |                    |         | -40°C to 150°C     |                    |                    |         |         |                    |                               |         |
|                                                        | Free-Air temperature (T <sub>A</sub> ) | -40°C to 125°C                           |                    |                                          |                                          |                                          |                    |         | -40°C to 125°C     |                    |                    |         |         |                    |                               |         |
|                                                        | Package Options                        | 256 ZEX<br>176 PTS<br>144 RFS<br>100 PZS | 144 RFS<br>100 PZS | 256 ZEX<br>176 PTS<br>144 RFS<br>100 PZS | 256 ZEX<br>176 PTS<br>144 RFS<br>100 PZS | 256 ZEX<br>176 PTS<br>144 RFS<br>100 PZS | 144 RFS<br>100 PZS |         | 176 PTS<br>144 RFS | 176 PTS<br>144 RFS | 176 PTS<br>144 RFS | 100 PZS | 100 PZS | 176 PTS<br>144 RFS | 176 PTS<br>144 RFS<br>100 PZS |         |
| T Temperature<br>Codes                                 | Junction temperature (T <sub>J</sub> ) | -                                        |                    |                                          |                                          |                                          |                    |         | -40°C to 125°C     |                    |                    |         |         |                    |                               |         |
|                                                        | Free-Air temperature (T <sub>A</sub> ) | -                                        |                    |                                          |                                          |                                          |                    |         | -40°C to 105°C     |                    |                    |         |         |                    |                               |         |
|                                                        | Package Options                        | -                                        |                    |                                          |                                          |                                          |                    |         | 256 ZEX            | 256 ZEX            | 256 ZEX            | -       | -       | 256 ZEX            | 256 ZEX                       |         |

- (1) A type change represents a major functional feature difference in a peripheral module. Within a peripheral type, there may be minor differences between devices that do not affect the basic functionality of the module. For more information, see the [C2000 Real-Time Microcontrollers Peripherals Reference Guide](#).
- (2) In the 144-pin package, EMIF and EtherCAT cannot be used concurrently.
- (3) Supported only with external VREG
- (4) VREG is supported on 100-pin devices, but CPU has to run at 100MHz due to current limitations.
- (5) Time between start of sample-and-hold window to start of sample-and-hold window of the next conversion.
- (6) With software-based safety mechanisms like Reciprocal Comparison by software or Coded Processing, however implementation and quality of comparison for such mechanisms is application specific and needs to be decided by system integrator to justify safety integrity levels up to ASIL D/SIL 3.
- (7) Module serialization for F29P58x and F29P32x GPNs always starts with smallest number (1) or letter (A) and increments accordingly.
- (8) EPWM module serialization for F29P32x GPNs will be EPWM1,2,3,4,5,7,8 and 9, with 6 skipped.

## 4.1 Related Products

### [TMS320F2837xD Real-Time Dual-Core Microcontrollers](#)

The F2837xD series sets a standard for performance with dual subsystems. Each subsystem consists of a C28x CPU and a parallel control law accelerator (CLA), each running at 200 MHz. Enhancing performance are TMU and VCU [accelerators](#). Capabilities include multiple 16-bit/12-bit mode ADCs, DAC, Sigma-Delta filters, USB, configurable logic block (CLB), on-chip oscillators, and enhanced versions of all peripherals. The F2837xD is available with up to 1MB of Flash. It is available in a 176-pin QFP or 337-pin BGA package.

### [TMS320F2837xS Real-Time Microcontrollers](#)

The F2837xS series is a pin-to-pin compatible version of F2837xD but with only one C28x-CPU-and-CLA subsystem enabled. It is also available in a 100-pin QFP to enable compatibility with the [TMS320F2807x](#) series.

### [TMS320F2838x Real-Time Microcontrollers](#)

The F2838x series offers more performance, larger pin counts, flash memory sizes, peripheral and wide variety of connectivity options. The F2838x series includes the latest generation of accelerators, ePWM peripherals, and analog technology.

### [TMS320F28P65x Real-Time Microcontrollers](#)

The F28P65x series is built for efficient control of power electronics. The family of devices includes more ADC channels for further integration and hardware ADC oversampling to save CPU bandwidth. It's new EPWM type has 36 high resolution PWMs with enhanced flexibility to enable new power topologies like multiphase and multilevel power architectures. Other capabilities include up to 1.28MB of flash, 11 windowed comparators with dual-ramp generators, lockstep capability and a CLA module running at 200MHz. The F28P65x family of devices has 100-pin QFP, 169-pin BGA, 176-pin QFP and 256-pin BGA package variants.

[TPS653860-Q1](#) - Functional safety-compliant multi-rail power supply for safety MCUs with Hardware integrity level up to ASIL-D. Refer to F29H85X-SOM-EVM for schematic reference.

[TPS650366-Q1](#) - Functional safety-compliant multi-rail power supply for safety MCUs with Hardware integrity level up to ASIL-B. Refer to LAUNCHXL-F29H85X for schematic reference.

For information about migrating from TMS320F2837x, TMS320F2838x, or TMS320F28P65x to F29H85x, see the [TMS320F2837x](#), [TMS320F2838x](#), [TMS320F28P65x Migration to F29H85x](#) User's Guide.

## 5 Pin Configuration and Functions

### 5.1 Pin Diagrams

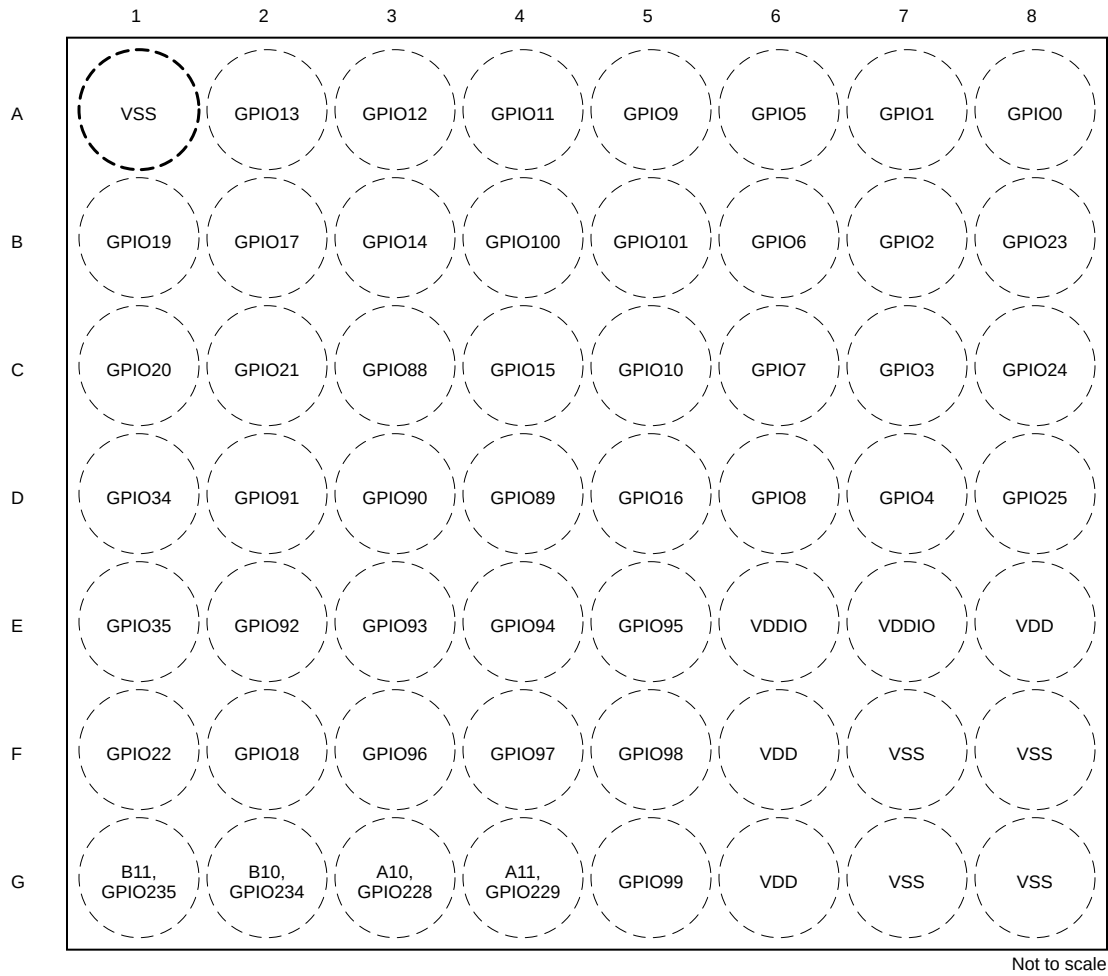
[Figure 5-1](#) shows the ball assignments on the 256-ball ZEX New Fine Pitch Ball Grid Array (nFBGA). [Figure 5-2](#) to [Figure 5-5](#) show the ball assignments on the 256-ball ZEX nFBGA in quadrants.

[Figure 5-6](#) shows the pin assignments on the 176-pin PTS Thermally Enhanced Thin Quad Flatpack.

[Figure 5-7](#) shows the pin assignments on the 144-pin RFS Thermally Enhanced Thin Quad Flatpack. For F29P32x, signal assignments on several pins will not be available.

[Figure 5-8](#) shows the pin assignments on the 100-pin PZS Thermally Enhanced Thin Quad Flatpack. For F29P32x, signal assignments on several pins will not be available.

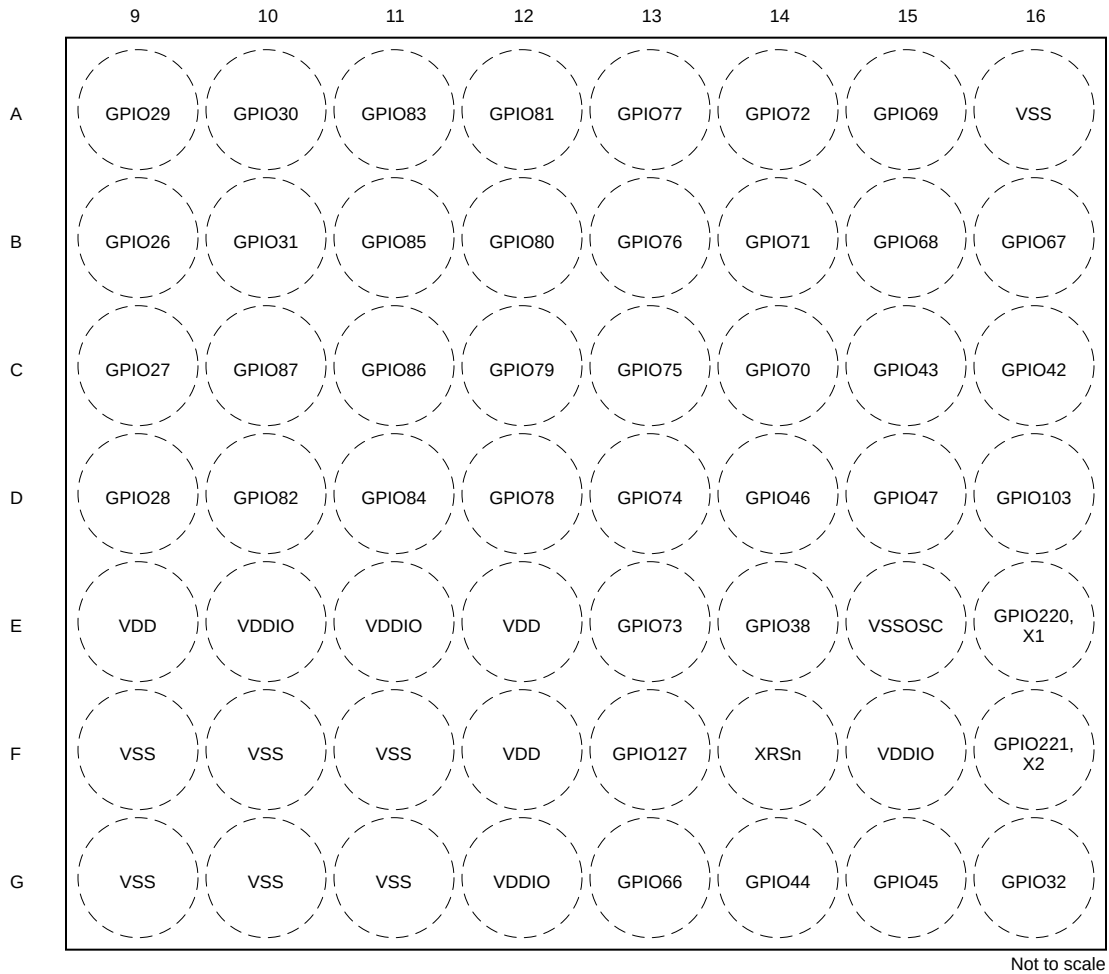




|   |   |
|---|---|
| 1 | 2 |
| 3 | 4 |

- A. Only the GPIO function is shown on GPIO terminals. See the [Pin Attributes \(F29H85x, F29P58x and F29P32x\)](#) section for the complete, muxed signal name.

**Figure 5-2. 256-Ball ZEX New Fine Pitch Ball Grid Array (Top View) – [Quadrant 1]**



|   |   |
|---|---|
| 1 | 2 |
| 3 | 4 |

- A. Only the GPIO function is shown on GPIO terminals. See the [Pin Attributes \(F29H85x, F29P58x and F29P32x\)](#) section for the complete, muxed signal name.

**Figure 5-3. 256-Ball ZEX New Fine Pitch Ball Grid Array (Top View) – [Quadrant 2]**

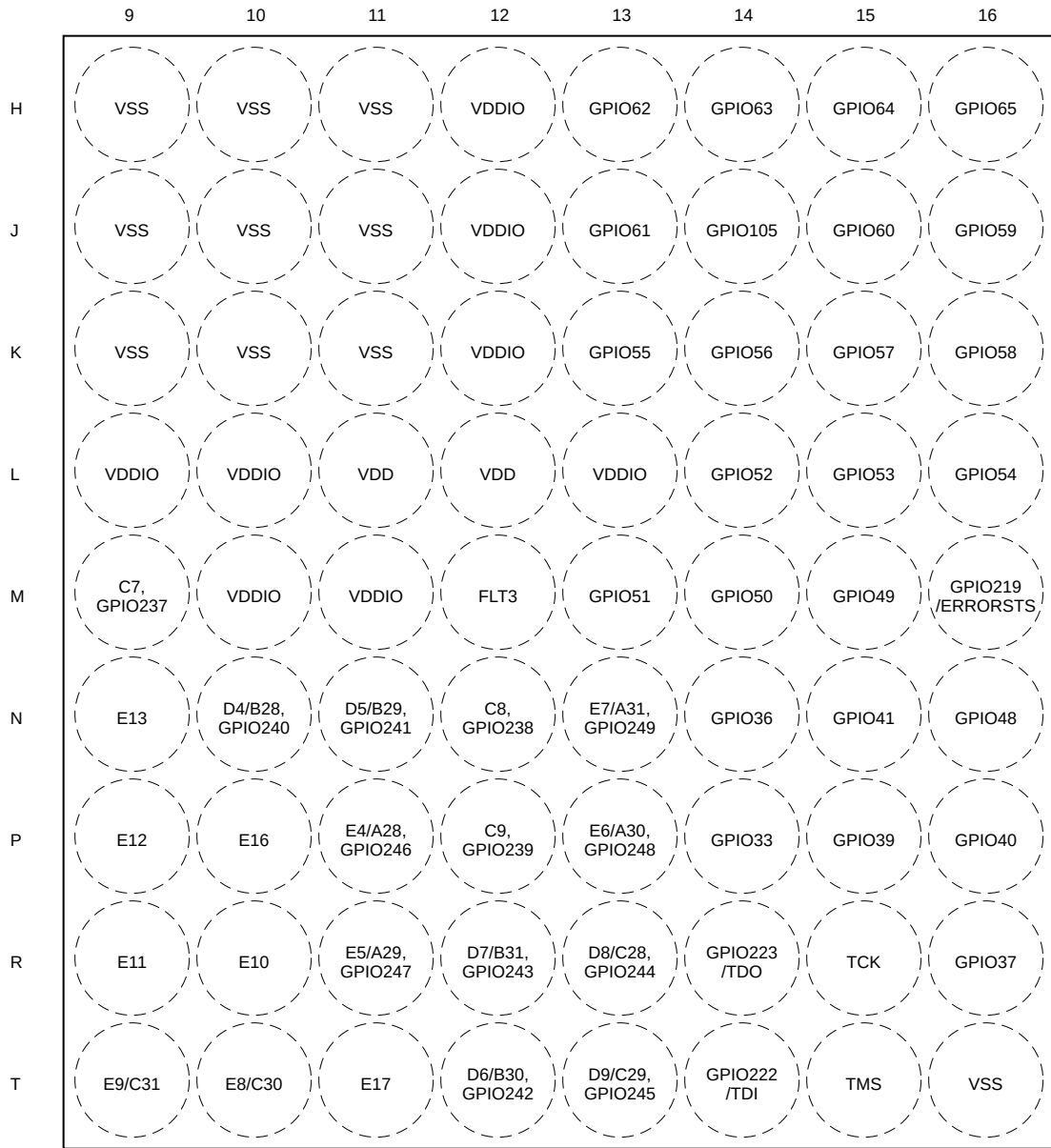


Not to scale

|   |   |
|---|---|
| 1 | 2 |
| 3 | 4 |

- A. Only the GPIO function is shown on GPIO terminals. See the [Pin Attributes \(F29H85x, F29P58x and F29P32x\)](#) section for the complete, muxed signal name.

**Figure 5-4. 256-Ball ZEX New Fine Pitch Ball Grid Array (Top View) – [Quadrant 3]**

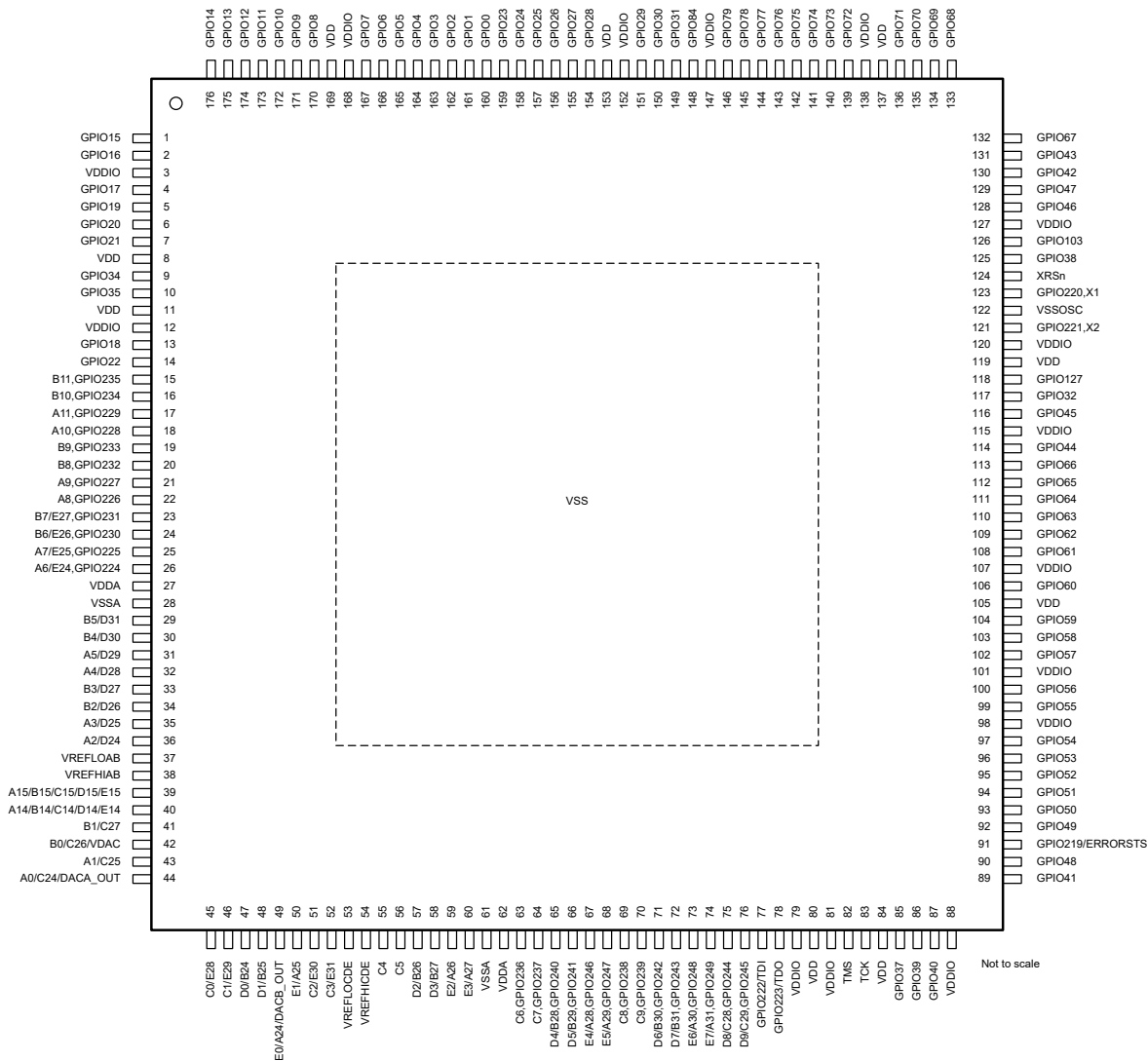


Not to scale

|   |   |
|---|---|
| 1 | 2 |
| 3 | 4 |

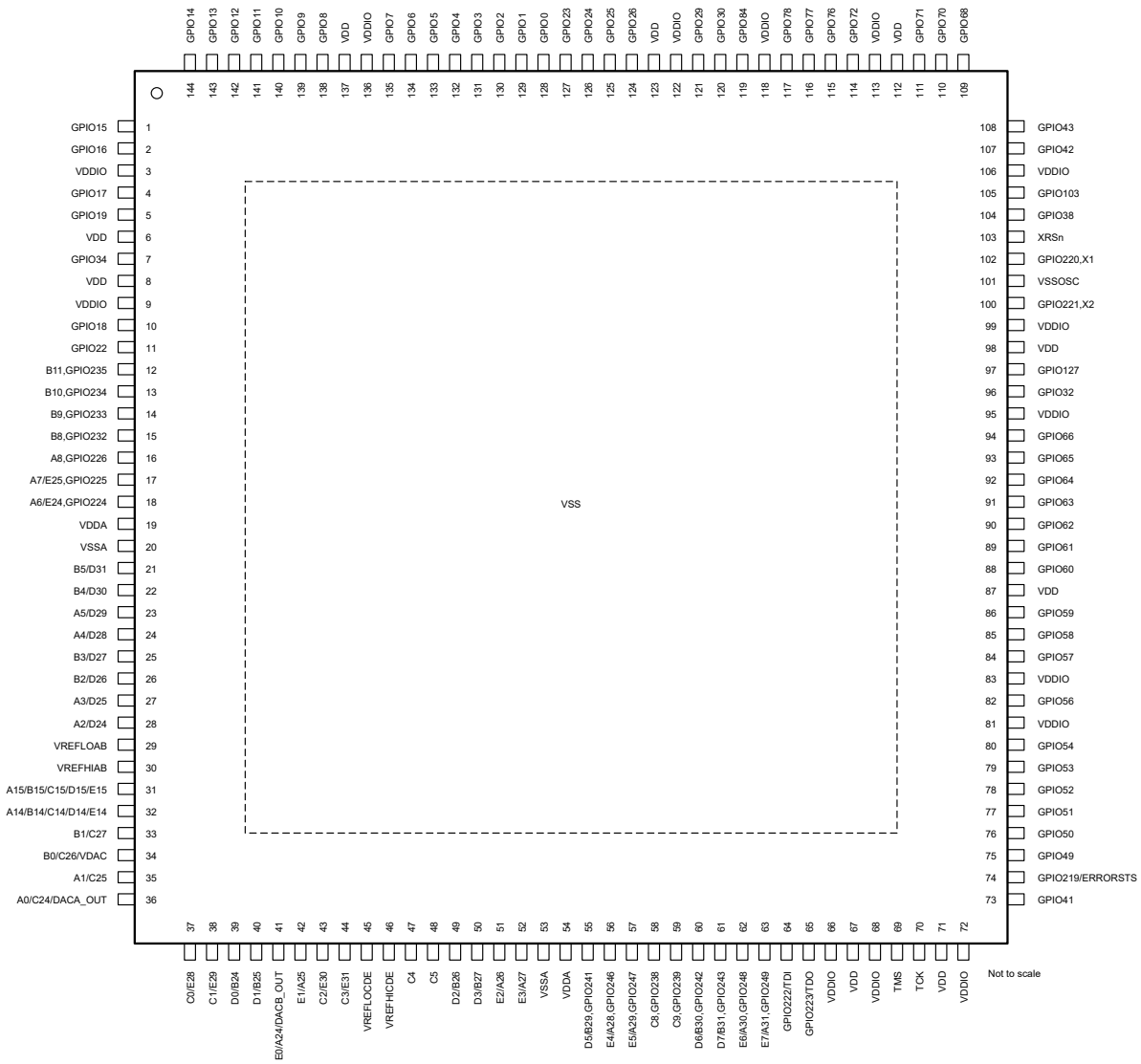
- A. Only the GPIO function is shown on GPIO terminals. See the [Pin Attributes \(F29H85x, F29P58x and F29P32x\)](#) section for the complete, muxed signal name.

**Figure 5-5. 256-Ball ZEX New Fine Pitch Ball Grid Array (Top View) – [Quadrant 4]**



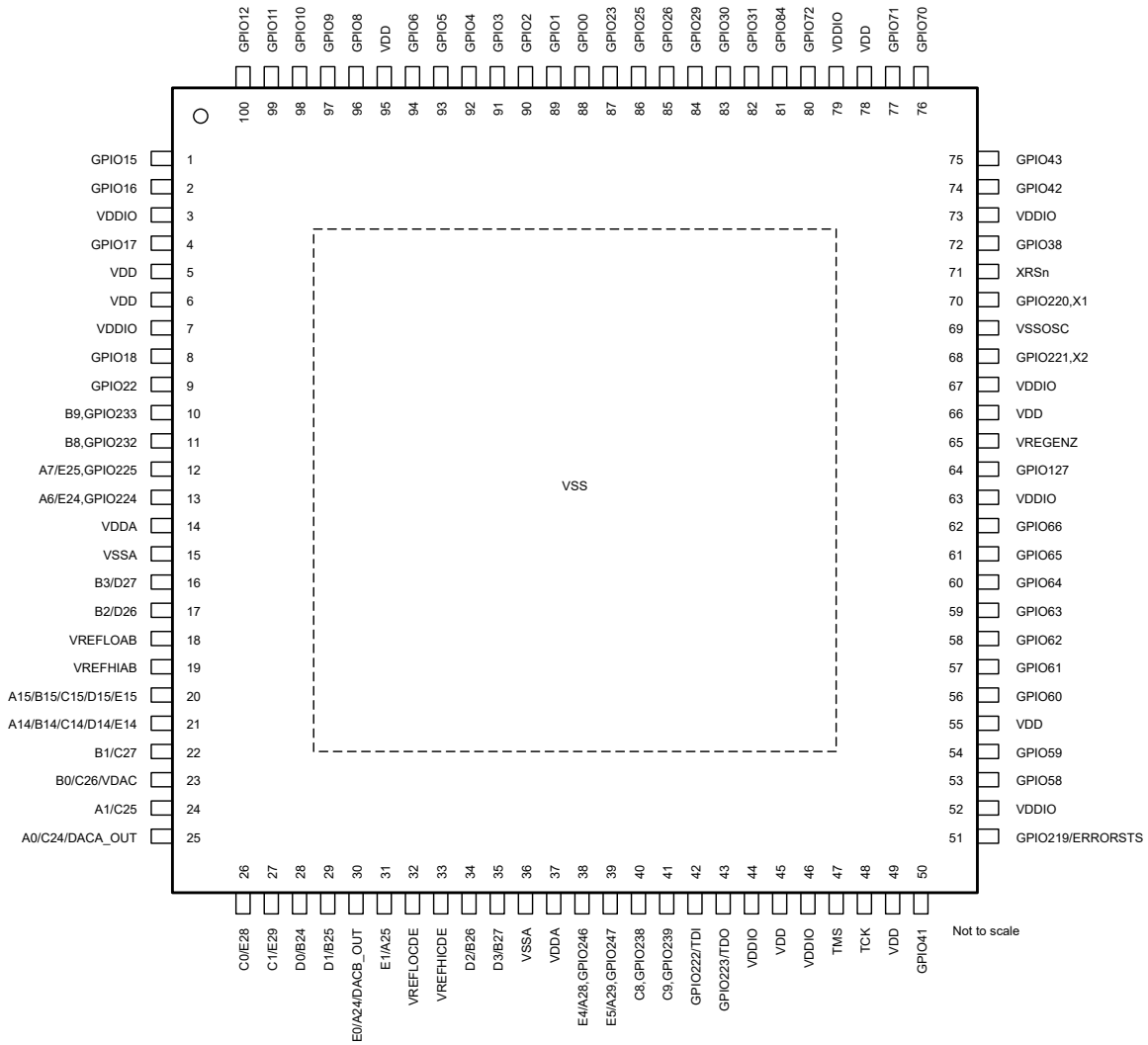
A. Only the GPIO function is shown on GPIO terminals. See the [Pin Attributes \(F29H85x, F29P58x and F29P32x\)](#) section for the complete, muxed signal name.

**Figure 5-6. 176-Pin PTS Thermally Enhanced Thin Quad Flatpack (Top View)**



A. Only the GPIO function is shown on GPIO terminals. See the [Pin Attributes \(F29H85x, F29P58x and F29P32x\)](#) section for the complete, muxed signal name. For F29P32x, signal assignments on several pins will not be available.

**Figure 5-7. 144-Pin RFS Thermally Enhanced Thin Quad Flatpack (Top View)**



A. Only the GPIO function is shown on GPIO terminals. See the [Pin Attributes \(F29H85x, F29P58x and F29P32x\)](#) section for the complete, muxed signal name. For F29P32x, signal assignments on several pins will not be available.

**Figure 5-8. 100-Pin PZS Thermally Enhanced Thin Quad Flatpack (Top View)**

## 5.2 Pin Attributes

**Table 5-1. Pin Attributes**

| SIGNAL NAME                                                               | MUX POSITION | 256<br>ZEX | 176<br>PTS | 144<br>RFS | 100<br>PZS | PIN<br>TYPE                     | DESCRIPTION                                                                                                                                                                                                                                                                                                                                                                             |
|---------------------------------------------------------------------------|--------------|------------|------------|------------|------------|---------------------------------|-----------------------------------------------------------------------------------------------------------------------------------------------------------------------------------------------------------------------------------------------------------------------------------------------------------------------------------------------------------------------------------------|
| <b>ANALOG</b>                                                             |              |            |            |            |            |                                 |                                                                                                                                                                                                                                                                                                                                                                                         |
| A0<br>C24<br>CMP4_HP0_CMP9_HP6<br>CMP4_LP0_CMP9_LP6<br>DACA_OUT<br>AIO160 | 0, 4, 8, 12  | R1         | 44         | 36         | 25         | I<br>I<br>I<br>I<br>O<br>I      | ADC-A Input 0<br>ADC-C Input 24<br>CMPSS-4 High Comparator Positive Input 0,<br>CMPSS-9 High Comparator Positive Input 6<br>CMPSS-4 Low Comparator Positive Input 0, CMPSS-9<br>Low Comparator Positive Input 6<br>Buffered DAC-A Output.<br>Analog Pin Used For Digital Input 160 This pin also<br>has digital mux functions which are described in the<br>GPIO section of this table. |
| A1<br>C25<br>CMP4_HN0<br>CMP4_LN0<br>CMP7_HP6<br>CMP7_LP6<br>AIO161       | 0, 4, 8, 12  | P1         | 43         | 35         | 24         | I<br>I<br>I<br>I<br>I<br>I<br>I | ADC-A Input 1<br>ADC-C Input 25<br>CMPSS-4 High Comparator Negative Input 0<br>CMPSS-4 Low Comparator Negative Input 0<br>CMPSS-7 High Comparator Positive Input 6<br>CMPSS-7 Low Comparator Positive Input 6<br>Analog Pin Used For Digital Input 161 This pin also<br>has digital mux functions which are described in the<br>GPIO section of this table.                             |
| A2<br>CMP1_HP1<br>CMP1_LP1<br>CMP9_HN0<br>CMP9_LN0<br>D24<br>AIO162       | 0, 4, 8, 12  | M1         | 36         | 28         |            | I<br>I<br>I<br>I<br>I<br>I<br>I | ADC-A Input 2<br>CMPSS-1 High Comparator Positive Input 1<br>CMPSS-1 Low Comparator Positive Input 1<br>CMPSS-9 High Comparator Negative Input 0<br>CMPSS-9 Low Comparator Negative Input 0<br>ADC-D Input 24<br>Analog Pin Used For Digital Input 162 This pin also<br>has digital mux functions which are described in the<br>GPIO section of this table.                             |
| A3<br>CMP1_HN1<br>CMP1_HP2<br>CMP1_LN1<br>CMP1_LP2<br>D25<br>AIO163       | 0, 4, 8, 12  | M2         | 35         | 27         |            | I<br>I<br>I<br>I<br>I<br>I<br>I | ADC-A Input 3<br>CMPSS-1 High Comparator Negative Input 1<br>CMPSS-1 High Comparator Positive Input 2<br>CMPSS-1 Low Comparator Negative Input 1<br>CMPSS-1 Low Comparator Positive Input 2<br>ADC-D Input 25<br>Analog Pin Used For Digital Input 163 This pin also<br>has digital mux functions which are described in the<br>GPIO section of this table.                             |
| A4<br>CMP1_HP0<br>CMP1_LP0<br>CMP2_HN1<br>CMP2_LN1<br>D28<br>AIO164       | 0, 4, 8, 12  | L2         | 32         | 24         |            | I<br>I<br>I<br>I<br>I<br>I<br>I | ADC-A Input 4<br>CMPSS-1 High Comparator Positive Input 0<br>CMPSS-1 Low Comparator Positive Input 0<br>CMPSS-2 High Comparator Negative Input 1<br>CMPSS-2 Low Comparator Negative Input 1<br>ADC-D Input 28<br>Analog Pin Used For Digital Input 164 This pin also<br>has digital mux functions which are described in the<br>GPIO section of this table.                             |

**Table 5-1. Pin Attributes (continued)**

| SIGNAL NAME                                                            | MUX POSITION | 256 ZEX | 176 PTS | 144 RFS | 100 PZS | PIN TYPE                     | DESCRIPTION                                                                                                                                                                                                                                                                                                                                        |
|------------------------------------------------------------------------|--------------|---------|---------|---------|---------|------------------------------|----------------------------------------------------------------------------------------------------------------------------------------------------------------------------------------------------------------------------------------------------------------------------------------------------------------------------------------------------|
| A5<br>CMP1_HN0<br>CMP1_LN0<br>D29<br>AIO165                            | 0, 4, 8, 12  | L1      | 31      | 23      |         | I<br>I<br>I<br>I<br>I        | ADC-A Input 5<br>CMPSS-1 High Comparator Negative Input 0<br>CMPSS-1 Low Comparator Negative Input 0<br>ADC-D Input 29<br>Analog Pin Used For Digital Input 165 This pin also has digital mux functions which are described in the GPIO section of this table.                                                                                     |
| A6<br>CMP2_HP0<br>CMP2_LP0<br>CMP12_HN0<br>CMP12_LN0<br>E24<br>GPIO224 | 0, 4, 8, 12  | L5      | 26      | 18      | 13      | I<br>I<br>I<br>I<br>I<br>I/O | ADC-A Input 6<br>CMPSS-2 High Comparator Positive Input 0<br>CMPSS-2 Low Comparator Positive Input 0<br>CMPSS-12 High Comparator Negative Input 0<br>CMPSS-12 Low Comparator Negative Input 0<br>ADC-E Input 24<br>General-Purpose Input Output 224 This pin also has digital mux functions which are described in the GPIO section of this table. |
| A7<br>CMP2_HN0<br>CMP2_LN0<br>CMP9_HP2<br>CMP9_LP2<br>E25<br>GPIO225   | 0, 4, 8, 12  | K5      | 25      | 17      | 12      | I<br>I<br>I<br>I<br>I<br>I/O | ADC-A Input 7<br>CMPSS-2 High Comparator Negative Input 0<br>CMPSS-2 Low Comparator Negative Input 0<br>CMPSS-9 High Comparator Positive Input 2<br>CMPSS-9 Low Comparator Positive Input 2<br>ADC-E Input 25<br>General-Purpose Input Output 225 This pin also has digital mux functions which are described in the GPIO section of this table.   |
| A8<br>CMP5_HP4_CMP8_HP3<br>CMP8_LP3<br>GPIO226                         | 0, 4, 8, 12  | H4      | 22      | 16      |         | I<br>I<br>I<br>I/O           | ADC-A Input 8<br>CMPSS-5 High Comparator Positive Input 4,<br>CMPSS-8 High Comparator Positive Input 3<br>CMPSS-8 Low Comparator Positive Input 3<br>General-Purpose Input Output 226 This pin also has digital mux functions which are described in the GPIO section of this table.                                                               |
| A9<br>CMP6_HP4<br>GPIO227                                              | 0, 4, 8, 12  | H3      | 21      |         |         | I<br>I<br>I/O                | ADC-A Input 9<br>CMPSS-6 High Comparator Positive Input 4<br>General-Purpose Input Output 227 This pin also has digital mux functions which are described in the GPIO section of this table.                                                                                                                                                       |
| A10<br>CMP7_HP4<br>GPIO228                                             | 0, 4, 8, 12  | G3      | 18      |         |         | I<br>I<br>I/O                | ADC-A Input 10<br>CMPSS-7 High Comparator Positive Input 4<br>General-Purpose Input Output 228 This pin also has digital mux functions which are described in the GPIO section of this table.                                                                                                                                                      |
| A11<br>CMP8_HP4<br>GPIO229                                             | 0, 4, 8, 12  | G4      | 17      |         |         | I<br>I<br>I/O                | ADC-A Input 11<br>CMPSS-8 High Comparator Positive Input 4<br>General-Purpose Input Output 229 This pin also has digital mux functions which are described in the GPIO section of this table.                                                                                                                                                      |
| A12<br>CMP1_HP5<br>CMP1_LP5<br>AIO166                                  | 0, 4, 8, 12  | K2      |         |         |         | I<br>I<br>I<br>I             | ADC-A Input 12<br>CMPSS-1 High Comparator Positive Input 5<br>CMPSS-1 Low Comparator Positive Input 5<br>Analog Pin Used For Digital Input 166 This pin also has digital mux functions which are described in the GPIO section of this table.                                                                                                      |

**Table 5-1. Pin Attributes (continued)**

| SIGNAL NAME                                                                           | MUX POSITION | 256 ZEX | 176 PTS | 144 RFS | 100 PZS | PIN TYPE                        | DESCRIPTION                                                                                                                                                                                                                                                                                                                                                                                                |
|---------------------------------------------------------------------------------------|--------------|---------|---------|---------|---------|---------------------------------|------------------------------------------------------------------------------------------------------------------------------------------------------------------------------------------------------------------------------------------------------------------------------------------------------------------------------------------------------------------------------------------------------------|
| A13<br>CMP2_HP5<br>CMP2_LP5<br>AIO167                                                 | 0, 4, 8, 12  | K1      |         |         |         | I<br>I<br>I<br>I                | ADC-A Input 13<br>CMPSS-2 High Comparator Positive Input 5<br>CMPSS-2 Low Comparator Positive Input 5<br>Analog Pin Used For Digital Input 167 This pin also has digital mux functions which are described in the GPIO section of this table.                                                                                                                                                              |
| A14<br>B14<br>C14<br>CMP3_HP5_CMP11_HP6<br>CMP3_LP5_CMP11_LP6<br>D14<br>E14<br>AIO168 | 0, 4, 8, 12  | M3      | 40      | 32      | 21      | I<br>I<br>I<br>I<br>I<br>I<br>I | ADC-A Input 14<br>ADC-B Input 14<br>ADC-C Input 14<br>CMPSS-3 High Comparator Positive Input 5, CMPSS-11 High Comparator Positive Input 6<br>CMPSS-3 Low Comparator Positive Input 5, CMPSS-11 Low Comparator Positive Input 6<br>ADC-D Input 14<br>ADC-E Input 14<br>Analog Pin Used For Digital Input 168 This pin also has digital mux functions which are described in the GPIO section of this table. |
| A15<br>B15<br>C15<br>CMP4_HP5_CMP12_HP6<br>CMP4_LP5_CMP12_LP6<br>D15<br>E15<br>AIO169 | 0, 4, 8, 12  | M4      | 39      | 31      | 20      | I<br>I<br>I<br>I<br>I<br>I<br>I | ADC-A Input 15<br>ADC-B Input 15<br>ADC-C Input 15<br>CMPSS-4 High Comparator Positive Input 5, CMPSS-12 High Comparator Positive Input 6<br>CMPSS-4 Low Comparator Positive Input 5, CMPSS-12 Low Comparator Positive Input 6<br>ADC-D Input 15<br>ADC-E Input 15<br>Analog Pin Used For Digital Input 169 This pin also has digital mux functions which are described in the GPIO section of this table. |
| B0<br>C26<br>CMP3_HP1_CMP1_HP6<br>CMP3_LP1_CMP1_LP6<br>VDAC<br>AIO170                 | 0, 4, 8, 12  | P2      | 42      | 34      | 23      | I<br>I<br>I<br>I<br>I           | ADC-B Input 0<br>ADC-C Input 26<br>CMPSS-3 High Comparator Positive Input 1, CMPSS-1 High Comparator Positive Input 6<br>CMPSS-3 Low Comparator Positive Input 1, CMPSS-1 Low Comparator Positive Input 6<br>Optional external reference voltage for on-chip DACs.<br>Analog Pin Used For Digital Input 170 This pin also has digital mux functions which are described in the GPIO section of this table. |
| B1<br>C27<br>CMP3_HP2<br>CMP3_LP2<br>CMP12_LN1_CMP12_HN1<br>AIO171                    | 0, 4, 8, 12  | N3      | 41      | 33      | 22      | I<br>I<br>I<br>I<br>I           | ADC-B Input 1<br>ADC-C Input 27<br>CMPSS-3 High Comparator Positive Input 2<br>CMPSS-3 Low Comparator Positive Input 2<br>CMPSS-12 Low Comparator Negative Input 1, CMPSS-12 High Comparator Negative Input 1<br>Analog Pin Used For Digital Input 171 This pin also has digital mux functions which are described in the GPIO section of this table.                                                      |

**Table 5-1. Pin Attributes (continued)**

| SIGNAL NAME                                                         | MUX POSITION | 256 ZEX | 176 PTS | 144 RFS | 100 PZS | PIN TYPE                   | DESCRIPTION                                                                                                                                                                                                                                                                                                                                           |
|---------------------------------------------------------------------|--------------|---------|---------|---------|---------|----------------------------|-------------------------------------------------------------------------------------------------------------------------------------------------------------------------------------------------------------------------------------------------------------------------------------------------------------------------------------------------------|
| B2<br>CMP3_HP0_CMP2_HP6<br>CMP3_LP0_CMP2_LP6<br>D26<br>AIO172       | 0, 4, 8, 12  | L4      | 34      | 26      | 17      | I<br>I<br>I<br>I<br>I      | ADC-B Input 2<br>CMPSS-3 High Comparator Positive Input 0, CMPSS-2 High Comparator Positive Input 6<br>CMPSS-3 Low Comparator Positive Input 0, CMPSS-2 Low Comparator Positive Input 6<br>ADC-D Input 26<br>Analog Pin Used For Digital Input 172 This pin also has digital mux functions which are described in the GPIO section of this table.     |
| B3<br>CMP1_HP3<br>CMP1_LP3<br>CMP3_HN0<br>CMP3_LN0<br>D27<br>AIO173 | 0, 4, 8, 12  | L3      | 33      | 25      | 16      | I<br>I<br>I<br>I<br>I<br>I | ADC-B Input 3<br>CMPSS-1 High Comparator Positive Input 3<br>CMPSS-1 Low Comparator Positive Input 3<br>CMPSS-3 High Comparator Negative Input 0<br>CMPSS-3 Low Comparator Negative Input 0<br>ADC-D Input 27<br>Analog Pin Used For Digital Input 173 This pin also has digital mux functions which are described in the GPIO section of this table. |
| B4<br>CMP7_HN1<br>CMP7_HP1<br>CMP7_LN1<br>CMP7_LP1<br>D30<br>AIO174 | 0, 4, 8, 12  | K4      | 30      | 22      |         | I<br>I<br>I<br>I<br>I<br>I | ADC-B Input 4<br>CMPSS-7 High Comparator Negative Input 1<br>CMPSS-7 High Comparator Positive Input 1<br>CMPSS-7 Low Comparator Negative Input 1<br>CMPSS-7 Low Comparator Positive Input 1<br>ADC-D Input 30<br>Analog Pin Used For Digital Input 174 This pin also has digital mux functions which are described in the GPIO section of this table. |
| B5<br>CMP3_HN1<br>CMP3_LN1<br>CMP7_HP2<br>CMP7_LP2<br>D31<br>AIO175 | 0, 4, 8, 12  | K3      | 29      | 21      |         | I<br>I<br>I<br>I<br>I<br>I | ADC-B Input 5<br>CMPSS-3 High Comparator Negative Input 1<br>CMPSS-3 Low Comparator Negative Input 1<br>CMPSS-7 High Comparator Positive Input 2<br>CMPSS-7 Low Comparator Positive Input 2<br>ADC-D Input 31<br>Analog Pin Used For Digital Input 175 This pin also has digital mux functions which are described in the GPIO section of this table. |
| B6<br>CMP9_HP4<br>CMP11_HN0<br>CMP11_LN0<br>E26<br>GPIO230          | 0, 4, 8, 12  | J5      | 24      |         |         | I<br>I<br>I<br>I<br>I/O    | ADC-B Input 6<br>CMPSS-9 High Comparator Positive Input 4<br>CMPSS-11 High Comparator Negative Input 0<br>CMPSS-11 Low Comparator Negative Input 0<br>ADC-E Input 26<br>General-Purpose Input Output 230 This pin also has digital mux functions which are described in the GPIO section of this table.                                               |
| B7<br>CMP10_HP4<br>E27<br>GPIO231                                   | 0, 4, 8, 12  | H5      | 23      |         |         | I<br>I<br>I<br>I/O         | ADC-B Input 7<br>CMPSS-10 High Comparator Positive Input 4<br>ADC-E Input 27<br>General-Purpose Input Output 231 This pin also has digital mux functions which are described in the GPIO section of this table.                                                                                                                                       |

**Table 5-1. Pin Attributes (continued)**

| SIGNAL NAME                                                     | MUX POSITION | 256 ZEX | 176 PTS | 144 RFS | 100 PZS | PIN TYPE              | DESCRIPTION                                                                                                                                                                                                                                                                                                                                               |
|-----------------------------------------------------------------|--------------|---------|---------|---------|---------|-----------------------|-----------------------------------------------------------------------------------------------------------------------------------------------------------------------------------------------------------------------------------------------------------------------------------------------------------------------------------------------------------|
| B8<br>CMP4_LP6<br>CMP11_HP4_CMP4_HP6<br>GPIO232                 | 0, 4, 8, 12  | H2      | 20      | 15      | 11      | I<br>I<br>I<br>I/O    | ADC-B Input 8<br>CMPSS-4 Low Comparator Positive Input 6<br>CMPSS-11 High Comparator Positive Input 4,<br>CMPSS-4 High Comparator Positive Input 6<br>General-Purpose Input Output 232 This pin also has digital mux functions which are described in the GPIO section of this table.                                                                     |
| B9<br>CMP8_LP6<br>CMP12_HP4_CMP8_HP6<br>GPIO233                 | 0, 4, 8, 12  | H1      | 19      | 14      | 10      | I<br>I<br>I<br>I/O    | ADC-B Input 9<br>CMPSS-8 Low Comparator Positive Input 6<br>CMPSS-12 High Comparator Positive Input 4,<br>CMPSS-8 High Comparator Positive Input 6<br>General-Purpose Input Output 233 This pin also has digital mux functions which are described in the GPIO section of this table.                                                                     |
| B10<br>CMP5_LP4<br>GPIO234                                      | 0, 4, 8, 12  | G2      | 16      | 13      |         | I<br>I<br>I/O         | ADC-B Input 10<br>CMPSS-5 Low Comparator Positive Input 4<br>General-Purpose Input Output 234 This pin also has digital mux functions which are described in the GPIO section of this table.                                                                                                                                                              |
| B11<br>CMP6_LP4<br>GPIO235                                      | 0, 4, 8, 12  | G1      | 15      | 12      |         | I<br>I<br>I/O         | ADC-B Input 11<br>CMPSS-6 Low Comparator Positive Input 4<br>General-Purpose Input Output 235 This pin also has digital mux functions which are described in the GPIO section of this table.                                                                                                                                                              |
| B12<br>CMP7_LP4<br>AIO176                                       | 0, 4, 8, 12  | J2      |         |         |         | I<br>I<br>I           | ADC-B Input 12<br>CMPSS-7 Low Comparator Positive Input 4<br>Analog Pin Used For Digital Input 176 This pin also has digital mux functions which are described in the GPIO section of this table.                                                                                                                                                         |
| B13<br>CMP8_LP4<br>AIO177                                       | 0, 4, 8, 12  | J1      |         |         |         | I<br>I<br>I           | ADC-B Input 13<br>CMPSS-8 Low Comparator Positive Input 4<br>Analog Pin Used For Digital Input 177 This pin also has digital mux functions which are described in the GPIO section of this table.                                                                                                                                                         |
| B16<br>CMP9_HP5<br>AIO178                                       | 0, 4, 8, 12  | J4      |         |         |         | I<br>I<br>I           | ADC-B Input 16<br>CMPSS-9 High Comparator Positive Input 5<br>Analog Pin Used For Digital Input 178 This pin also has digital mux functions which are described in the GPIO section of this table.                                                                                                                                                        |
| B17<br>CMP10_HP5<br>AIO179                                      | 0, 4, 8, 12  | J3      |         |         |         | I<br>I<br>I           | ADC-B Input 17<br>CMPSS-10 High Comparator Positive Input 5<br>Analog Pin Used For Digital Input 179 This pin also has digital mux functions which are described in the GPIO section of this table.                                                                                                                                                       |
| C0<br>CMP10_HP0_CMP5_HP6<br>CMP10_LP0_CMP5_LP6<br>E28<br>AIO180 | 0, 4, 8, 12  | R2      | 45      | 37      | 26      | I<br>I<br>I<br>I<br>I | ADC-C Input 0<br>CMPSS-10 High Comparator Positive Input 0,<br>CMPSS-5 High Comparator Positive Input 6<br>CMPSS-10 Low Comparator Positive Input 0,<br>CMPSS-5 Low Comparator Positive Input 6<br>ADC-E Input 28<br>Analog Pin Used For Digital Input 180 This pin also has digital mux functions which are described in the GPIO section of this table. |

**Table 5-1. Pin Attributes (continued)**

| SIGNAL NAME                                                           | MUX POSITION | 256 ZEX | 176 PTS | 144 RFS | 100 PZS | PIN TYPE                   | DESCRIPTION                                                                                                                                                                                                                                                                                                                                               |
|-----------------------------------------------------------------------|--------------|---------|---------|---------|---------|----------------------------|-----------------------------------------------------------------------------------------------------------------------------------------------------------------------------------------------------------------------------------------------------------------------------------------------------------------------------------------------------------|
| C1<br>CMP11_HP0_CMP9_HP0<br>CMP11_LP0_CMP9_LP0<br>E29<br>AIO181       | 0, 4, 8, 12  | T2      | 46      | 38      | 27      | I<br>I<br>I<br>I<br>I      | ADC-C Input 1<br>CMPSS-11 High Comparator Positive Input 0,<br>CMPSS-9 High Comparator Positive Input 0<br>CMPSS-11 Low Comparator Positive Input 0,<br>CMPSS-9 Low Comparator Positive Input 0<br>ADC-E Input 29<br>Analog Pin Used For Digital Input 181 This pin also has digital mux functions which are described in the GPIO section of this table. |
| C2<br>CMP9_HP1<br>CMP9_LP1<br>CMP11_HN1<br>CMP11_LN1<br>E30<br>AIO182 | 0, 4, 8, 12  | N4      | 51      | 43      |         | I<br>I<br>I<br>I<br>I<br>I | ADC-C Input 2<br>CMPSS-9 High Comparator Positive Input 1<br>CMPSS-9 Low Comparator Positive Input 1<br>CMPSS-11 High Comparator Negative Input 1<br>CMPSS-11 Low Comparator Negative Input 1<br>ADC-E Input 30<br>Analog Pin Used For Digital Input 182 This pin also has digital mux functions which are described in the GPIO section of this table.   |
| C3<br>CMP9_LP4<br>E31<br>AIO183                                       | 0, 4, 8, 12  | M5      | 52      | 44      |         | I<br>I<br>I                | ADC-C Input 3<br>CMPSS-9 Low Comparator Positive Input 4<br>ADC-E Input 31<br>Analog Pin Used For Digital Input 183 This pin also has digital mux functions which are described in the GPIO section of this table.                                                                                                                                        |
| C4<br>CMP10_LP4<br>AIO184                                             | 0, 4, 8, 12  | P5      | 55      | 47      |         | I<br>I<br>I                | ADC-C Input 4<br>CMPSS-10 Low Comparator Positive Input 4<br>Analog Pin Used For Digital Input 184 This pin also has digital mux functions which are described in the GPIO section of this table.                                                                                                                                                         |
| C5<br>CMP11_LP4<br>AIO185                                             | 0, 4, 8, 12  | N5      | 56      | 48      |         | I<br>I<br>I                | ADC-C Input 5<br>CMPSS-11 Low Comparator Positive Input 4<br>Analog Pin Used For Digital Input 185 This pin also has digital mux functions which are described in the GPIO section of this table.                                                                                                                                                         |
| C6<br>CMP12_LP4<br>GPIO236                                            | 0, 4, 8, 12  | M8      | 63      |         |         | I<br>I<br>I/O              | ADC-C Input 6<br>CMPSS-12 Low Comparator Positive Input 4<br>General-Purpose Input Output 236 This pin also has digital mux functions which are described in the GPIO section of this table.                                                                                                                                                              |
| C7<br>CMP5_HP5<br>GPIO237                                             | 0, 4, 8, 12  | M9      | 64      |         |         | I<br>I<br>I/O              | ADC-C Input 7<br>CMPSS-5 High Comparator Positive Input 5<br>General-Purpose Input Output 237 This pin also has digital mux functions which are described in the GPIO section of this table.                                                                                                                                                              |
| C8<br>CMP6_HP5_CMP12_HP0<br>CMP12_LP0<br>GPIO238                      | 0, 4, 8, 12  | N12     | 69      | 58      | 40      | I<br>I<br>I<br>I/O         | ADC-C Input 8<br>CMPSS-6 High Comparator Positive Input 5,<br>CMPSS-12 High Comparator Positive Input 0<br>CMPSS-12 Low Comparator Positive Input 0<br>General-Purpose Input Output 238 This pin also has digital mux functions which are described in the GPIO section of this table.                                                                    |

**Table 5-1. Pin Attributes (continued)**

| SIGNAL NAME                                                     | MUX POSITION | 256 ZEX | 176 PTS | 144 RFS | 100 PZS | PIN TYPE              | DESCRIPTION                                                                                                                                                                                                                                                                                                                                               |
|-----------------------------------------------------------------|--------------|---------|---------|---------|---------|-----------------------|-----------------------------------------------------------------------------------------------------------------------------------------------------------------------------------------------------------------------------------------------------------------------------------------------------------------------------------------------------------|
| C9<br>CMP7_HP5_CMP9_HP3<br>CMP9_LP3<br>GPIO239                  | 0, 4, 8, 12  | P12     | 70      | 59      | 41      | I<br>I<br>I<br>I/O    | ADC-C Input 9<br>CMPSS-7 High Comparator Positive Input 5,<br>CMPSS-9 High Comparator Positive Input 3<br>CMPSS-9 Low Comparator Positive Input 3<br>General-Purpose Input Output 239 This pin also has digital mux functions which are described in the GPIO section of this table.                                                                      |
| C10<br>CMP8_HP5<br>AIO186                                       | 0, 4, 8, 12  | N8      |         |         |         | I<br>I<br>I           | ADC-C Input 10<br>CMPSS-8 High Comparator Positive Input 5<br>Analog Pin Used For Digital Input 186 This pin also has digital mux functions which are described in the GPIO section of this table.                                                                                                                                                        |
| C11<br>CMP11_HP5<br>AIO187                                      | 0, 4, 8, 12  | P8      |         |         |         | I<br>I<br>I           | ADC-C Input 11<br>CMPSS-11 High Comparator Positive Input 5<br>Analog Pin Used For Digital Input 187 This pin also has digital mux functions which are described in the GPIO section of this table.                                                                                                                                                       |
| C12<br>CMP12_HP5<br>AIO188                                      | 0, 4, 8, 12  | R8      |         |         |         | I<br>I<br>I           | ADC-C Input 12<br>CMPSS-12 High Comparator Positive Input 5<br>Analog Pin Used For Digital Input 188 This pin also has digital mux functions which are described in the GPIO section of this table.                                                                                                                                                       |
| C13<br>CMP5_LP5<br>AIO189                                       | 0, 4, 8, 12  | T8      |         |         |         | I<br>I<br>I           | ADC-C Input 13<br>CMPSS-5 Low Comparator Positive Input 5<br>Analog Pin Used For Digital Input 189 This pin also has digital mux functions which are described in the GPIO section of this table.                                                                                                                                                         |
| C16<br>CMP6_LP5<br>AIO190                                       | 0, 4, 8, 12  | N7      |         |         |         | I<br>I<br>I           | ADC-C Input 16<br>CMPSS-6 Low Comparator Positive Input 5<br>Analog Pin Used For Digital Input 190 This pin also has digital mux functions which are described in the GPIO section of this table.                                                                                                                                                         |
| C17<br>CMP7_LP5<br>AIO191                                       | 0, 4, 8, 12  | P7      |         |         |         | I<br>I<br>I           | ADC-C Input 17<br>CMPSS-7 Low Comparator Positive Input 5<br>Analog Pin Used For Digital Input 191 This pin also has digital mux functions which are described in the GPIO section of this table.                                                                                                                                                         |
| B24<br>CMP4_HP2_CMP10_HP6<br>CMP4_LP2_CMP10_LP6<br>D0<br>AIO192 | 0, 4, 8, 12  | R3      | 47      | 39      | 28      | I<br>I<br>I<br>I<br>I | ADC-B Input 24<br>CMPSS-4 High Comparator Positive Input 2,<br>CMPSS-10 High Comparator Positive Input 6<br>CMPSS-4 Low Comparator Positive Input 2,<br>CMPSS-10 Low Comparator Positive Input 6<br>ADC-D Input 0<br>Analog Pin Used For Digital Input 192 This pin also has digital mux functions which are described in the GPIO section of this table. |
| B25<br>CMP3_LP6_CMP7_LP0<br>CMP7_HP0_CMP3_HP6<br>D1<br>AIO193   | 0, 4, 8, 12  | T3      | 48      | 40      | 29      | I<br>I<br>I<br>I<br>I | ADC-B Input 25<br>CMPSS-3 High Comparator Positive Input 6,<br>CMPSS-7 Low Comparator Positive Input 0<br>CMPSS-7 High Comparator Positive Input 0,<br>CMPSS-3 High Comparator Positive Input 6<br>ADC-D Input 1<br>Analog Pin Used For Digital Input 193 This pin also has digital mux functions which are described in the GPIO section of this table.  |

**Table 5-1. Pin Attributes (continued)**

| SIGNAL NAME                                                          | MUX POSITION | 256 ZEX | 176 PTS | 144 RFS | 100 PZS | PIN TYPE                 | DESCRIPTION                                                                                                                                                                                                                                                                                                                                           |
|----------------------------------------------------------------------|--------------|---------|---------|---------|---------|--------------------------|-------------------------------------------------------------------------------------------------------------------------------------------------------------------------------------------------------------------------------------------------------------------------------------------------------------------------------------------------------|
| B26<br>CMP4_HP3<br>CMP4_LP3<br>CMP7_HN0<br>CMP7_LN0<br>D2<br>AIO194  | 0, 4, 8, 12  | R5      | 57      | 49      | 34      | I                        | ADC-B Input 26<br>CMPSS-4 High Comparator Positive Input 3<br>CMPSS-4 Low Comparator Positive Input 3<br>CMPSS-7 High Comparator Negative Input 0<br>CMPSS-7 Low Comparator Negative Input 0<br>ADC-D Input 2<br>Analog Pin Used For Digital Input 194 This pin also has digital mux functions which are described in the GPIO section of this table. |
| B27<br>CMP8_HP0_CMP10_HP3<br>CMP10_LP3_CMP8_LP0<br>D3<br>AIO195      | 0, 4, 8, 12  | R6      | 58      | 50      | 35      | I                        | ADC-B Input 27<br>CMPSS-8 High Comparator Positive Input 0, CMPSS-10 High Comparator Positive Input 3<br>CMPSS-10 Low Comparator Positive Input 3, CMPSS-8 Low Comparator Positive Input 0<br>ADC-D Input 3<br>Analog Pin Used For Digital Input 195 This pin also has digital mux functions which are described in the GPIO section of this table.   |
| B28<br>CMP5_LP3<br>CMP8_HN0<br>CMP8_LN0<br>D4<br>GPIO240             | 0, 4, 8, 12  | N10     | 65      |         |         | I<br><br><br><br>I/O     | ADC-B Input 28<br>CMPSS-5 Low Comparator Positive Input 3<br>CMPSS-8 High Comparator Negative Input 0<br>CMPSS-8 Low Comparator Negative Input 0<br>ADC-D Input 4<br>General-Purpose Input Output 240 This pin also has digital mux functions which are described in the GPIO section of this table.                                                  |
| B29<br>CMP4_HN1<br>CMP4_HP1<br>CMP4_LN1<br>CMP4_LP1<br>D5<br>GPIO241 | 0, 4, 8, 12  | N11     | 66      | 55      |         | I<br><br><br><br><br>I/O | ADC-B Input 29<br>CMPSS-4 High Comparator Negative Input 1<br>CMPSS-4 High Comparator Positive Input 1<br>CMPSS-4 Low Comparator Negative Input 1<br>CMPSS-4 Low Comparator Positive Input 1<br>ADC-D Input 5<br>General-Purpose Input Output 241 This pin also has digital mux functions which are described in the GPIO section of this table.      |
| B30<br>CMP1_HP4<br>CMP1_LP4<br>D6<br>GPIO242                         | 0, 4, 8, 12  | T12     | 71      | 60      |         | I<br><br><br><br>I/O     | ADC-B Input 30<br>CMPSS-1 High Comparator Positive Input 4<br>CMPSS-1 Low Comparator Positive Input 4<br>ADC-D Input 6<br>General-Purpose Input Output 242 This pin also has digital mux functions which are described in the GPIO section of this table.                                                                                             |
| B31<br>CMP2_HP4<br>CMP2_LP4<br>D7<br>GPIO243                         | 0, 4, 8, 12  | R12     | 72      | 61      |         | I<br><br><br><br>I/O     | ADC-B Input 31<br>CMPSS-2 High Comparator Positive Input 4<br>CMPSS-2 Low Comparator Positive Input 4<br>ADC-D Input 7<br>General-Purpose Input Output 243 This pin also has digital mux functions which are described in the GPIO section of this table.                                                                                             |

**Table 5-1. Pin Attributes (continued)**

| SIGNAL NAME                                                     | MUX POSITION | 256<br>ZEX | 176<br>PTS | 144<br>RFS | 100<br>PZS | PIN<br>TYPE                  | DESCRIPTION                                                                                                                                                                                                                                                                                                                            |
|-----------------------------------------------------------------|--------------|------------|------------|------------|------------|------------------------------|----------------------------------------------------------------------------------------------------------------------------------------------------------------------------------------------------------------------------------------------------------------------------------------------------------------------------------------|
| C28<br>CMP6_HP0<br>CMP6_LP0<br>D8<br>GPIO244                    | 0, 4, 8, 12  | R13        | 75         |            |            | I<br>I<br>I<br>I<br>I/O      | ADC-C Input 28<br>CMPSS-6 High Comparator Positive Input 0<br>CMPSS-6 Low Comparator Positive Input 0<br>ADC-D Input 8<br>General-Purpose Input Output 244 This pin also has digital mux functions which are described in the GPIO section of this table.                                                                              |
| C29<br>CMP3_LP3<br>CMP6_HN0<br>CMP6_LN0<br>D9<br>GPIO245        | 0, 4, 8, 12  | T13        | 76         |            |            | I<br>I<br>I<br>I<br>I<br>I/O | ADC-C Input 29<br>CMPSS-3 Low Comparator Positive Input 3<br>CMPSS-6 High Comparator Negative Input 0<br>CMPSS-6 Low Comparator Negative Input 0<br>ADC-D Input 9<br>General-Purpose Input Output 245 This pin also has digital mux functions which are described in the GPIO section of this table.                                   |
| CMP8_LP5<br>D10<br>AIO196                                       | 0, 4, 8, 12  | N6         |            |            |            | I<br>I<br>I                  | CMPSS-8 Low Comparator Positive Input 5<br>ADC-D Input 10<br>Analog Pin Used For Digital Input 196 This pin also has digital mux functions which are described in the GPIO section of this table.                                                                                                                                      |
| CMP9_LP5<br>D11<br>AIO197                                       | 0, 4, 8, 12  | P6         |            |            |            | I<br>I<br>I                  | CMPSS-9 Low Comparator Positive Input 5<br>ADC-D Input 11<br>Analog Pin Used For Digital Input 197 This pin also has digital mux functions which are described in the GPIO section of this table.                                                                                                                                      |
| CMP5_HP0<br>CMP5_LP0<br>CMP10_HN1<br>CMP10_LN1<br>D12<br>AIO198 | 0, 4, 8, 12  | M7         |            |            |            | I<br>I<br>I<br>I<br>I<br>I   | CMPSS-5 High Comparator Positive Input 0<br>CMPSS-5 Low Comparator Positive Input 0<br>CMPSS-10 High Comparator Negative Input 1<br>CMPSS-10 Low Comparator Negative Input 1<br>ADC-D Input 12<br>Analog Pin Used For Digital Input 198 This pin also has digital mux functions which are described in the GPIO section of this table. |
| CMP2_HP3<br>CMP2_LP3<br>CMP5_HN0<br>CMP5_LN0<br>D13<br>AIO199   | 0, 4, 8, 12  | M6         |            |            |            | I<br>I<br>I<br>I<br>I<br>I   | CMPSS-2 High Comparator Positive Input 3<br>CMPSS-2 Low Comparator Positive Input 3<br>CMPSS-5 High Comparator Negative Input 0<br>CMPSS-5 Low Comparator Negative Input 0<br>ADC-D Input 13<br>Analog Pin Used For Digital Input 199 This pin also has digital mux functions which are described in the GPIO section of this table.   |
| CMP10_LP5<br>D16<br>AIO200                                      | 0, 4, 8, 12  | R7         |            |            |            | I<br>I<br>I                  | CMPSS-10 Low Comparator Positive Input 5<br>ADC-D Input 16<br>Analog Pin Used For Digital Input 200 This pin also has digital mux functions which are described in the GPIO section of this table.                                                                                                                                     |
| CMP11_LP5<br>D17<br>AIO201                                      | 0, 4, 8, 12  | T7         |            |            |            | I<br>I<br>I                  | CMPSS-11 Low Comparator Positive Input 5<br>ADC-D Input 17<br>Analog Pin Used For Digital Input 201 This pin also has digital mux functions which are described in the GPIO section of this table.                                                                                                                                     |

**Table 5-1. Pin Attributes (continued)**

| SIGNAL NAME                                                          | MUX POSITION | 256 ZEX | 176 PTS | 144 RFS | 100 PZS | PIN TYPE                          | DESCRIPTION                                                                                                                                                                                                                                                                                                                                                 |
|----------------------------------------------------------------------|--------------|---------|---------|---------|---------|-----------------------------------|-------------------------------------------------------------------------------------------------------------------------------------------------------------------------------------------------------------------------------------------------------------------------------------------------------------------------------------------------------------|
| A24<br>CMP6_HP6<br>CMP6_LP6_CMP12_LP5<br>DACB_OUT<br>E0<br>AIO202    | 0, 4, 8, 12  | P3      | 49      | 41      | 30      | I<br>I<br>I<br>O<br>I<br>I        | ADC-A Input 24<br>CMPSS-6 High Comparator Positive Input 6<br>CMPSS-6 Low Comparator Positive Input 6,<br>CMPSS-12 Low Comparator Positive Input 5<br>Buffered DAC-B Output.<br>ADC-E Input 0<br>Analog Pin Used For Digital Input 202 This pin also has digital mux functions which are described in the GPIO section of this table.                       |
| A25<br>CMP12_HP1_CMP11_HP3<br>CMP12_LP1_CMP11_LP3<br>E1<br>AIO203    | 0, 4, 8, 12  | P4      | 50      | 42      | 31      | I<br>I<br>I<br>I<br>I             | ADC-A Input 25<br>CMPSS-12 High Comparator Positive Input 1,<br>CMPSS-11 High Comparator Positive Input 3<br>CMPSS-12 Low Comparator Positive Input 1,<br>CMPSS-11 Low Comparator Positive Input 3<br>ADC-E Input 1<br>Analog Pin Used For Digital Input 203 This pin also has digital mux functions which are described in the GPIO section of this table. |
| A26<br>CMP3_HP4<br>CMP3_LP4<br>E2<br>AIO204                          | 0, 4, 8, 12  | T5      | 59      | 51      |         | I<br>I<br>I<br>I<br>I             | ADC-A Input 26<br>CMPSS-3 High Comparator Positive Input 4<br>CMPSS-3 Low Comparator Positive Input 4<br>ADC-E Input 2<br>Analog Pin Used For Digital Input 204 This pin also has digital mux functions which are described in the GPIO section of this table.                                                                                              |
| A27<br>CMP4_HP4<br>CMP4_LP4<br>E3<br>AIO205                          | 0, 4, 8, 12  | T6      | 60      | 52      |         | I<br>I<br>I<br>I<br>I             | ADC-A Input 27<br>CMPSS-4 High Comparator Positive Input 4<br>CMPSS-4 Low Comparator Positive Input 4<br>ADC-E Input 3<br>Analog Pin Used For Digital Input 205 This pin also has digital mux functions which are described in the GPIO section of this table.                                                                                              |
| A28<br>CMP8_HN1<br>CMP8_HP1<br>CMP8_LN1<br>CMP8_LP1<br>E4<br>GPIO246 | 0, 4, 8, 12  | P11     | 67      | 56      | 38      | I<br>I<br>I<br>I<br>I<br>I<br>I/O | ADC-A Input 28<br>CMPSS-8 High Comparator Negative Input 1<br>CMPSS-8 High Comparator Positive Input 1<br>CMPSS-8 Low Comparator Negative Input 1<br>CMPSS-8 Low Comparator Positive Input 1<br>ADC-E Input 4<br>General-Purpose Input Output 246 This pin also has digital mux functions which are described in the GPIO section of this table.            |
| A29<br>CMP8_HP2<br>CMP8_LP2<br>E5<br>GPIO247                         | 0, 4, 8, 12  | R11     | 68      | 57      | 39      | I<br>I<br>I<br>I<br>I/O           | ADC-A Input 29<br>CMPSS-8 High Comparator Positive Input 2<br>CMPSS-8 Low Comparator Positive Input 2<br>ADC-E Input 5<br>General-Purpose Input Output 247 This pin also has digital mux functions which are described in the GPIO section of this table.                                                                                                   |

**Table 5-1. Pin Attributes (continued)**

| SIGNAL NAME                                                           | MUX POSITION | 256 ZEX | 176 PTS | 144 RFS | 100 PZS | PIN TYPE                          | DESCRIPTION                                                                                                                                                                                                                                                                                                                                             |
|-----------------------------------------------------------------------|--------------|---------|---------|---------|---------|-----------------------------------|---------------------------------------------------------------------------------------------------------------------------------------------------------------------------------------------------------------------------------------------------------------------------------------------------------------------------------------------------------|
| A30<br>CMP5_HN1<br>CMP5_HP1<br>CMP5_LN1<br>CMP5_LP1<br>E6<br>GPIO248  | 0, 4, 8, 12  | P13     | 73      | 62      |         | I<br>I<br>I<br>I<br>I<br>I<br>I/O | ADC-A Input 30<br>CMPSS-5 High Comparator Negative Input 1<br>CMPSS-5 High Comparator Positive Input 1<br>CMPSS-5 Low Comparator Negative Input 1<br>CMPSS-5 Low Comparator Positive Input 1<br>ADC-E Input 6<br>General-Purpose Input Output 248 This pin also has digital mux functions which are described in the GPIO section of this table.        |
| A31<br>CMP5_HP2<br>CMP5_LP2<br>E7<br>GPIO249                          | 0, 4, 8, 12  | N13     | 74      | 63      |         | I<br>I<br>I<br>I<br>I/O           | ADC-A Input 31<br>CMPSS-5 High Comparator Positive Input 2<br>CMPSS-5 Low Comparator Positive Input 2<br>ADC-E Input 7<br>General-Purpose Input Output 249 This pin also has digital mux functions which are described in the GPIO section of this table.                                                                                               |
| C30<br>CMP2_HP1<br>CMP2_LP1<br>CMP10_HN0<br>CMP10_LN0<br>E8<br>AIO206 | 0, 4, 8, 12  | T10     |         |         |         | I<br>I<br>I<br>I<br>I<br>I<br>I   | ADC-C Input 30<br>CMPSS-2 High Comparator Positive Input 1<br>CMPSS-2 Low Comparator Positive Input 1<br>CMPSS-10 High Comparator Negative Input 0<br>CMPSS-10 Low Comparator Negative Input 0<br>ADC-E Input 8<br>Analog Pin Used For Digital Input 206 This pin also has digital mux functions which are described in the GPIO section of this table. |
| C31<br>CMP2_HP2<br>CMP2_LP2<br>CMP9_HN1<br>CMP9_LN1<br>E9<br>AIO207   | 0, 4, 8, 12  | T9      |         |         |         | I<br>I<br>I<br>I<br>I<br>I<br>I   | ADC-C Input 31<br>CMPSS-2 High Comparator Positive Input 2<br>CMPSS-2 Low Comparator Positive Input 2<br>CMPSS-9 High Comparator Negative Input 1<br>CMPSS-9 Low Comparator Negative Input 1<br>ADC-E Input 9<br>Analog Pin Used For Digital Input 207 This pin also has digital mux functions which are described in the GPIO section of this table.   |
| CMP10_HP1<br>CMP10_LP1<br>E10<br>AIO208                               | 0, 4, 8, 12  | R10     |         |         |         | I<br>I<br>I<br>I                  | CMPSS-10 High Comparator Positive Input 1<br>CMPSS-10 Low Comparator Positive Input 1<br>ADC-E Input 10<br>Analog Pin Used For Digital Input 208 This pin also has digital mux functions which are described in the GPIO section of this table.                                                                                                         |
| CMP11_HP1<br>CMP11_LP1<br>E11<br>AIO209                               | 0, 4, 8, 12  | R9      |         |         |         | I<br>I<br>I<br>I                  | CMPSS-11 High Comparator Positive Input 1<br>CMPSS-11 Low Comparator Positive Input 1<br>ADC-E Input 11<br>Analog Pin Used For Digital Input 209 This pin also has digital mux functions which are described in the GPIO section of this table.                                                                                                         |
| CMP10_HP2<br>CMP10_LP2<br>E12<br>AIO210                               | 0, 4, 8, 12  | P9      |         |         |         | I<br>I<br>I<br>I                  | CMPSS-10 High Comparator Positive Input 2<br>CMPSS-10 Low Comparator Positive Input 2<br>ADC-E Input 12<br>Analog Pin Used For Digital Input 210 This pin also has digital mux functions which are described in the GPIO section of this table.                                                                                                         |

**Table 5-1. Pin Attributes (continued)**

| SIGNAL NAME | MUX POSITION | 256 ZEX | 176 PTS | 144 RFS | 100 PZS | PIN TYPE | DESCRIPTION                                                                                                                                                                                                                                                                                                                                                              |
|-------------|--------------|---------|---------|---------|---------|----------|--------------------------------------------------------------------------------------------------------------------------------------------------------------------------------------------------------------------------------------------------------------------------------------------------------------------------------------------------------------------------|
| CMP11_HP2   |              |         |         |         |         | I        | CMPSS-11 High Comparator Positive Input 2                                                                                                                                                                                                                                                                                                                                |
| CMP11_LP2   |              |         |         |         |         | I        | CMPSS-11 Low Comparator Positive Input 2                                                                                                                                                                                                                                                                                                                                 |
| E13         |              | N9      |         |         |         | I        | ADC-E Input 13                                                                                                                                                                                                                                                                                                                                                           |
| AIO211      | 0, 4, 8, 12  |         |         |         |         | I        | Analog Pin Used For Digital Input 211 This pin also has digital mux functions which are described in the GPIO section of this table.                                                                                                                                                                                                                                     |
| CMP6_HP2    |              |         |         |         |         | I        | CMPSS-6 High Comparator Positive Input 2                                                                                                                                                                                                                                                                                                                                 |
| CMP6_LP2    |              |         |         |         |         | I        | CMPSS-6 Low Comparator Positive Input 2                                                                                                                                                                                                                                                                                                                                  |
| E16         |              | P10     |         |         |         | I        | ADC-E Input 16                                                                                                                                                                                                                                                                                                                                                           |
| AIO212      | 0, 4, 8, 12  |         |         |         |         | I        | Analog Pin Used For Digital Input 212 This pin also has digital mux functions which are described in the GPIO section of this table.                                                                                                                                                                                                                                     |
| CMP6_HN1    |              |         |         |         |         | I        | CMPSS-6 High Comparator Negative Input 1                                                                                                                                                                                                                                                                                                                                 |
| CMP6_HP1    |              |         |         |         |         | I        | CMPSS-6 High Comparator Positive Input 1                                                                                                                                                                                                                                                                                                                                 |
| CMP6_LN1    |              |         |         |         |         | I        | CMPSS-6 Low Comparator Negative Input 1                                                                                                                                                                                                                                                                                                                                  |
| CMP6_LP1    |              | T11     |         |         |         | I        | CMPSS-6 Low Comparator Positive Input 1                                                                                                                                                                                                                                                                                                                                  |
| E17         |              |         |         |         |         | I        | ADC-E Input 17                                                                                                                                                                                                                                                                                                                                                           |
| AIO213      | 0, 4, 8, 12  |         |         |         |         | I        | Analog Pin Used For Digital Input 213 This pin also has digital mux functions which are described in the GPIO section of this table.                                                                                                                                                                                                                                     |
| VREFHIAB    |              | N2      | 38      | 30      | 19      | I        | ADC-AB high reference. This voltage must be driven into the pin from external circuitry. Place at least a 2.2- $\mu$ F capacitor on this pin for the 12-bit mode, or at least a 22- $\mu$ F capacitor for the 16-bit mode. This capacitor should be placed as close to the device as possible between the VREFHI and VREFLO pins. NOTE: Do not load this pin externally  |
| VREFHICDE   |              | R4      | 54      | 46      | 33      | I        | ADC-CDE high reference. This voltage must be driven into the pin from external circuitry. Place at least a 2.2- $\mu$ F capacitor on this pin for the 12-bit mode, or at least a 22- $\mu$ F capacitor for the 16-bit mode. This capacitor should be placed as close to the device as possible between the VREFHI and VREFLO pins. NOTE: Do not load this pin externally |
| VREFLOAB    |              | N1      | 37      | 29      | 18      | I        | ADC-AB Low Reference                                                                                                                                                                                                                                                                                                                                                     |
| VREFLOCDE   |              | T4      | 53      | 45      | 32      | I        | ADC-CDE Low Reference                                                                                                                                                                                                                                                                                                                                                    |
| <b>GPIO</b> |              |         |         |         |         |          |                                                                                                                                                                                                                                                                                                                                                                          |
| AIO160      | 0, 4, 8, 12  | R1      | 44      | 36      | 25      | I        | Analog Pin Used For Digital Input 160 This pin also has analog functions which are described in the ANALOG section of this table.                                                                                                                                                                                                                                        |
| SD3_C2      | 11           |         |         |         |         | I        | SDFM-3 Channel 2 Clock Input                                                                                                                                                                                                                                                                                                                                             |
| AIO161      | 0, 4, 8, 12  | P1      | 43      | 35      | 24      | I        | Analog Pin Used For Digital Input 161 This pin also has analog functions which are described in the ANALOG section of this table.                                                                                                                                                                                                                                        |
| SD3_D2      | 11           |         |         |         |         | I        | SDFM-3 Channel 2 Data Input                                                                                                                                                                                                                                                                                                                                              |
| AIO162      | 0, 4, 8, 12  | M1      | 36      | 28      |         | I        | Analog Pin Used For Digital Input 162 This pin also has analog functions which are described in the ANALOG section of this table.                                                                                                                                                                                                                                        |
| SD2_C2      | 11           |         |         |         |         | I        | SDFM-2 Channel 2 Clock Input                                                                                                                                                                                                                                                                                                                                             |
| AIO163      | 0, 4, 8, 12  | M2      | 35      | 27      |         | I        | Analog Pin Used For Digital Input 163 This pin also has analog functions which are described in the ANALOG section of this table.                                                                                                                                                                                                                                        |
| SD2_D2      | 11           |         |         |         |         | I        | SDFM-2 Channel 2 Data Input                                                                                                                                                                                                                                                                                                                                              |
| AIO164      | 0, 4, 8, 12  | L2      | 32      | 24      |         | I        | Analog Pin Used For Digital Input 164 This pin also has analog functions which are described in the ANALOG section of this table.                                                                                                                                                                                                                                        |
| SD2_C3      | 11           |         |         |         |         | I        | SDFM-2 Channel 3 Clock Input                                                                                                                                                                                                                                                                                                                                             |

**Table 5-1. Pin Attributes (continued)**

| SIGNAL NAME     | MUX POSITION | 256 ZEX | 176 PTS | 144 RFS | 100 PZS | PIN TYPE | DESCRIPTION                                                                                                                       |
|-----------------|--------------|---------|---------|---------|---------|----------|-----------------------------------------------------------------------------------------------------------------------------------|
| AIO165          | 0, 4, 8, 12  | L1      | 31      | 23      |         | I        | Analog Pin Used For Digital Input 165 This pin also has analog functions which are described in the ANALOG section of this table. |
| SD2_D3          | 11           |         |         |         |         | I        | SDFM-2 Channel 3 Data Input                                                                                                       |
| GPIO224         | 0, 4, 8, 12  |         |         |         |         | I/O      | General-Purpose Input Output 224 This pin also has analog functions which are described in the ANALOG section of this table.      |
| EPWM12_A        | 1            |         |         |         |         | O        | ePWM-12 Output A                                                                                                                  |
| EPWM12_B        | 2            |         |         |         |         | O        | ePWM-12 Output B                                                                                                                  |
| SPIB_POCI       | 5            | L5      | 26      | 18      | 13      | I/O      | SPI-B Peripheral Out, Controller In (POCI)                                                                                        |
| MCAND_RX        | 6            |         |         |         |         | I        | CAN/CAN FD-D Receive                                                                                                              |
| OUTPUTXBAR5     | 9            |         |         |         |         | O        | Output X-BAR Output 5                                                                                                             |
| SD4_D2          | 11           |         |         |         |         | I        | SDFM-4 Channel 2 Data Input                                                                                                       |
| ADCA_EXTMUXSEL0 | 14           |         |         |         |         | O        | External ADC selection Mux output                                                                                                 |
| ESC_GPO8        | 15           |         |         |         |         | O        | EtherCAT General-Purpose Output 8                                                                                                 |
| GPIO225         | 0, 4, 8, 12  |         |         |         |         | I/O      | General-Purpose Input Output 225 This pin also has analog functions which are described in the ANALOG section of this table.      |
| EPWM11_B        | 1            |         |         |         |         | O        | ePWM-11 Output B                                                                                                                  |
| SPIB_PICO       | 5            |         |         |         |         | I/O      | SPI-B Peripheral In, Controller Out (PICO)                                                                                        |
| I2CB_SDA        | 6            | K5      | 25      | 17      | 12      | I/OD     | I2C-B Open-Drain Bidirectional Data                                                                                               |
| UARTF_TX        | 7            |         |         |         |         | I/O      | UART-F Serial Data Transmit                                                                                                       |
| OUTPUTXBAR4     | 9            |         |         |         |         | O        | Output X-BAR Output 4                                                                                                             |
| SD4_C1          | 11           |         |         |         |         | I        | SDFM-4 Channel 1 Clock Input                                                                                                      |
| ADCA_EXTMUXSEL1 | 14           |         |         |         |         | O        | External ADC selection Mux output                                                                                                 |
| ESC_GPO9        | 15           |         |         |         |         | O        | EtherCAT General-Purpose Output 9                                                                                                 |
| GPIO226         | 0, 4, 8, 12  |         |         |         |         | I/O      | General-Purpose Input Output 226 This pin also has analog functions which are described in the ANALOG section of this table.      |
| EPWM10_A        | 1            |         |         |         |         | O        | ePWM-10 Output A                                                                                                                  |
| SPIA_PTE        | 5            |         |         |         |         | I/O      | SPI-A Peripheral Transmit Enable (PTE)                                                                                            |
| MCAND_TX        | 6            |         |         |         |         | O        | CAN/CAN FD-D Transmit                                                                                                             |
| UARTF_RX        | 7            | H4      | 22      | 16      |         | I/O      | UART-F Serial Data Receive                                                                                                        |
| OUTPUTXBAR1     | 9            |         |         |         |         | O        | Output X-BAR Output 1                                                                                                             |
| SD1_C3          | 10           |         |         |         |         | I        | SDFM-1 Channel 3 Clock Input                                                                                                      |
| SD1_D3          | 11           |         |         |         |         | I        | SDFM-1 Channel 3 Data Input                                                                                                       |
| ADCA_EXTMUXSEL2 | 14           |         |         |         |         | O        | External ADC selection Mux output                                                                                                 |
| ESC_GPO10       | 15           |         |         |         |         | O        | EtherCAT General-Purpose Output 10                                                                                                |
| GPIO227         | 0, 4, 8, 12  |         |         |         |         | I/O      | General-Purpose Input Output 227 This pin also has analog functions which are described in the ANALOG section of this table.      |
| EPWM14_B        | 1            |         |         |         |         | O        | ePWM-14 Output B                                                                                                                  |
| SPIA_CLK        | 5            | H3      | 21      |         |         | I/O      | SPI-A Clock                                                                                                                       |
| OUTPUTXBAR4     | 9            |         |         |         |         | O        | Output X-BAR Output 4                                                                                                             |
| SD2_C2          | 11           |         |         |         |         | I        | SDFM-2 Channel 2 Clock Input                                                                                                      |
| ADCA_EXTMUXSEL3 | 14           |         |         |         |         | O        | External ADC selection Mux output                                                                                                 |

**Table 5-1. Pin Attributes (continued)**

| SIGNAL NAME | MUX POSITION | 256 ZEX | 176 PTS | 144 RFS | 100 PZS | PIN TYPE | DESCRIPTION                                                                                                                       |
|-------------|--------------|---------|---------|---------|---------|----------|-----------------------------------------------------------------------------------------------------------------------------------|
| GPIO228     | 0, 4, 8, 12  |         |         |         |         | I/O      | General-Purpose Input Output 228 This pin also has analog functions which are described in the ANALOG section of this table.      |
| EPWM18_A    | 1            |         |         |         |         | O        | ePWM-18 Output A                                                                                                                  |
| EPWM13_A    | 2            |         |         |         |         | O        | ePWM-13 Output A                                                                                                                  |
| SPIB_POCI   | 5            | G3      | 18      |         |         | I/O      | SPI-B Peripheral Out, Controller In (POCI)                                                                                        |
| LINB_TX     | 6            |         |         |         |         | O        | LIN-B Transmit                                                                                                                    |
| OUTPUTXBAR1 | 9            |         |         |         |         | O        | Output X-BAR Output 1                                                                                                             |
| SENT4       | 10           |         |         |         |         | I/O      | SENT Input Pin 4                                                                                                                  |
| SD2_D1      | 11           |         |         |         |         | I        | SDFM-2 Channel 1 Data Input                                                                                                       |
| GPIO229     | 0, 4, 8, 12  |         |         |         |         | I/O      | General-Purpose Input Output 229 This pin also has analog functions which are described in the ANALOG section of this table.      |
| EPWM17_B    | 1            |         |         |         |         | O        | ePWM-17 Output B                                                                                                                  |
| EPWM12_B    | 2            | G4      | 17      |         |         | O        | ePWM-12 Output B                                                                                                                  |
| SPIB_PICO   | 5            |         |         |         |         | I/O      | SPI-B Peripheral In, Controller Out (PICO)                                                                                        |
| MCANA_RX    | 6            |         |         |         |         | I        | CAN/CAN FD-A Receive                                                                                                              |
| SENT3       | 10           |         |         |         |         | I/O      | SENT Input Pin 3                                                                                                                  |
| SD1_C4      | 11           |         |         |         |         | I        | SDFM-1 Channel 4 Clock Input                                                                                                      |
| AIO166      | 0, 4, 8, 12  | K2      |         |         |         | I        | Analog Pin Used For Digital Input 166 This pin also has analog functions which are described in the ANALOG section of this table. |
| SD4_C1      | 11           |         |         |         |         | I        | SDFM-4 Channel 1 Clock Input                                                                                                      |
| AIO167      | 0, 4, 8, 12  | K1      |         |         |         | I        | Analog Pin Used For Digital Input 167 This pin also has analog functions which are described in the ANALOG section of this table. |
| SD4_D1      | 11           |         |         |         |         | I        | SDFM-4 Channel 1 Data Input                                                                                                       |
| AIO168      | 0, 4, 8, 12  | M3      | 40      | 32      | 21      | I        | Analog Pin Used For Digital Input 168 This pin also has analog functions which are described in the ANALOG section of this table. |
| SD3_C3      | 11           |         |         |         |         | I        | SDFM-3 Channel 3 Clock Input                                                                                                      |
| AIO169      | 0, 4, 8, 12  | M4      | 39      | 31      | 20      | I        | Analog Pin Used For Digital Input 169 This pin also has analog functions which are described in the ANALOG section of this table. |
| SD3_D3      | 11           |         |         |         |         | I        | SDFM-3 Channel 3 Data Input                                                                                                       |
| AIO170      | 0, 4, 8, 12  | P2      | 42      | 34      | 23      | I        | Analog Pin Used For Digital Input 170 This pin also has analog functions which are described in the ANALOG section of this table. |
| SD3_C4      | 11           |         |         |         |         | I        | SDFM-3 Channel 4 Clock Input                                                                                                      |
| AIO171      | 0, 4, 8, 12  | N3      | 41      | 33      | 22      | I        | Analog Pin Used For Digital Input 171 This pin also has analog functions which are described in the ANALOG section of this table. |
| SD3_D4      | 11           |         |         |         |         | I        | SDFM-3 Channel 4 Data Input                                                                                                       |
| AIO172      | 0, 4, 8, 12  | L4      | 34      | 26      | 17      | I        | Analog Pin Used For Digital Input 172 This pin also has analog functions which are described in the ANALOG section of this table. |
| SD1_C1      | 11           |         |         |         |         | I        | SDFM-1 Channel 1 Clock Input                                                                                                      |
| AIO173      | 0, 4, 8, 12  | L3      | 33      | 25      | 16      | I        | Analog Pin Used For Digital Input 173 This pin also has analog functions which are described in the ANALOG section of this table. |
| SD1_D1      | 11           |         |         |         |         | I        | SDFM-1 Channel 1 Data Input                                                                                                       |
| AIO174      | 0, 4, 8, 12  | K4      | 30      | 22      |         | I        | Analog Pin Used For Digital Input 174 This pin also has analog functions which are described in the ANALOG section of this table. |
| SD2_C4      | 11           |         |         |         |         | I        | SDFM-2 Channel 4 Clock Input                                                                                                      |

**Table 5-1. Pin Attributes (continued)**

| SIGNAL NAME         | MUX POSITION | 256 ZEX | 176 PTS                                    | 144 RFS | 100 PZS | PIN TYPE | DESCRIPTION                                                                                                                       |
|---------------------|--------------|---------|--------------------------------------------|---------|---------|----------|-----------------------------------------------------------------------------------------------------------------------------------|
| AIO175              | 0, 4, 8, 12  | K3      | 29                                         | 21      |         | I        | Analog Pin Used For Digital Input 175 This pin also has analog functions which are described in the ANALOG section of this table. |
| SD2_D4              | 11           |         |                                            |         |         | I        | SDFM-2 Channel 4 Data Input                                                                                                       |
| GPIO230             | 0, 4, 8, 12  | J5      | 24                                         |         |         | I/O      | General-Purpose Input Output 230 This pin also has analog functions which are described in the ANALOG section of this table.      |
| EPWM11_A            | 1            |         |                                            |         |         | O        | ePWM-11 Output A                                                                                                                  |
| SYNCOUT             | 3            |         |                                            |         |         | O        | External ePWM Synchronization Pulse                                                                                               |
| I2CB_SCL            | 6            |         |                                            |         |         | I/OD     | I2C-B Open-Drain Bidirectional Clock                                                                                              |
| OUTPUTXBAR3         | 9            |         |                                            |         |         | O        | Output X-BAR Output 3                                                                                                             |
| SD4_D1              | 11           |         |                                            |         |         | I        | SDFM-4 Channel 1 Data Input                                                                                                       |
| ADCB_EXTMUXSEL0     | 14           |         |                                            |         |         | O        | External ADC selection Mux output                                                                                                 |
| GPIO231             | 0, 4, 8, 12  |         |                                            |         |         | H5       | 23                                                                                                                                |
| EPWM10_B            | 1            | O       | ePWM-10 Output B                           |         |         |          |                                                                                                                                   |
| SPIA_PICO           | 5            | I/O     | SPI-A Peripheral In, Controller Out (PICO) |         |         |          |                                                                                                                                   |
| MCAND_RX            | 6            | I       | CAN/CAN FD-D Receive                       |         |         |          |                                                                                                                                   |
| OUTPUTXBAR2         | 9            | O       | Output X-BAR Output 2                      |         |         |          |                                                                                                                                   |
| SD1_C3              | 11           | I       | SDFM-1 Channel 3 Clock Input               |         |         |          |                                                                                                                                   |
| ADCB_EXTMUXSEL1     | 14           | O       | External ADC selection Mux output          |         |         |          |                                                                                                                                   |
| GPIO232             | 0, 4, 8, 12  | H2      | 20                                         | 15      | 11      |          |                                                                                                                                   |
| EPWM14_A            | 1            |         |                                            |         |         | O        | ePWM-14 Output A                                                                                                                  |
| EPWM8_B             | 2            |         |                                            |         |         | O        | ePWM-8 Output B                                                                                                                   |
| SPIA_POCI           | 5            |         |                                            |         |         | I/O      | SPI-A Peripheral Out, Controller In (POCI)                                                                                        |
| OUTPUTXBAR3         | 9            |         |                                            |         |         | O        | Output X-BAR Output 3                                                                                                             |
| SENT6               | 10           |         |                                            |         |         | I/O      | SENT Input Pin 6                                                                                                                  |
| SD3_D1              | 11           |         |                                            |         |         | I        | SDFM-3 Channel 1 Data Input                                                                                                       |
| ESC_PHY0_LINKSTATUS | 13           |         |                                            |         |         | I        | EtherCAT PHY-0 Link Status                                                                                                        |
| ADCB_EXTMUXSEL2     | 14           |         |                                            |         |         | O        | External ADC selection Mux output                                                                                                 |
| ESC_GPO11           | 15           |         |                                            |         |         | O        | EtherCAT General-Purpose Output 11                                                                                                |
| GPIO233             | 0, 4, 8, 12  | H1      | 19                                         | 14      | 10      | I/O      | General-Purpose Input Output 233 This pin also has analog functions which are described in the ANALOG section of this table.      |
| EPWM18_B            | 1            |         |                                            |         |         | O        | ePWM-18 Output B                                                                                                                  |
| EPWM13_B            | 2            |         |                                            |         |         | O        | ePWM-13 Output B                                                                                                                  |
| LINB_RX             | 6            |         |                                            |         |         | I        | LIN-B Receive                                                                                                                     |
| OUTPUTXBAR2         | 9            |         |                                            |         |         | O        | Output X-BAR Output 2                                                                                                             |
| SENT5               | 10           |         |                                            |         |         | I/O      | SENT Input Pin 5                                                                                                                  |
| SD2_C1              | 11           |         |                                            |         |         | I        | SDFM-2 Channel 1 Clock Input                                                                                                      |
| ESC_PHY1_LINKSTATUS | 13           |         |                                            |         |         | I        | EtherCAT PHY-1 Link Status                                                                                                        |
| ADCB_EXTMUXSEL3     | 14           |         |                                            |         |         | O        | External ADC selection Mux output                                                                                                 |
| ESC_GPO12           | 15           |         |                                            |         |         | O        | EtherCAT General-Purpose Output 12                                                                                                |

**Table 5-1. Pin Attributes (continued)**

| SIGNAL NAME | MUX POSITION | 256 ZEX | 176 PTS | 144 RFS | 100 PZS | PIN TYPE | DESCRIPTION                                                                                                                       |
|-------------|--------------|---------|---------|---------|---------|----------|-----------------------------------------------------------------------------------------------------------------------------------|
| GPIO234     | 0, 4, 8, 12  |         |         |         |         | I/O      | General-Purpose Input Output 234 This pin also has analog functions which are described in the ANALOG section of this table.      |
| EPWM17_A    | 1            |         |         |         |         | O        | ePWM-17 Output A                                                                                                                  |
| EPWM12_A    | 2            |         |         |         |         | O        | ePWM-12 Output A                                                                                                                  |
| SPIB_PTE    | 5            | G2      | 16      | 13      |         | I/O      | SPI-B Peripheral Transmit Enable (PTE)                                                                                            |
| MCANA_TX    | 6            |         |         |         |         | O        | CAN/CAN FD-A Transmit                                                                                                             |
| SENT2       | 10           |         |         |         |         | I/O      | SENT Input Pin 2                                                                                                                  |
| SD1_D4      | 11           |         |         |         |         | I        | SDFM-1 Channel 4 Data Input                                                                                                       |
| ESC_GPO13   | 15           |         |         |         |         | O        | EtherCAT General-Purpose Output 13                                                                                                |
| GPIO235     | 0, 4, 8, 12  |         |         |         |         | I/O      | General-Purpose Input Output 235 This pin also has analog functions which are described in the ANALOG section of this table.      |
| EPWM9_B     | 1            |         |         |         |         | O        | ePWM-9 Output B                                                                                                                   |
| SPIB_CLK    | 5            | G1      | 15      | 12      |         | I/O      | SPI-B Clock                                                                                                                       |
| MCANA_RX    | 6            |         |         |         |         | I        | CAN/CAN FD-A Receive                                                                                                              |
| SENT1       | 10           |         |         |         |         | I/O      | SENT Input Pin 1                                                                                                                  |
| SD1_C1      | 11           |         |         |         |         | I        | SDFM-1 Channel 1 Clock Input                                                                                                      |
| ESC_GPO14   | 15           |         |         |         |         | O        | EtherCAT General-Purpose Output 14                                                                                                |
| AIO176      | 0, 4, 8, 12  | J2      |         |         |         | I        | Analog Pin Used For Digital Input 176 This pin also has analog functions which are described in the ANALOG section of this table. |
| SD4_C2      | 11           |         |         |         |         | I        | SDFM-4 Channel 2 Clock Input                                                                                                      |
| AIO177      | 0, 4, 8, 12  | J1      |         |         |         | I        | Analog Pin Used For Digital Input 177 This pin also has analog functions which are described in the ANALOG section of this table. |
| SD4_D2      | 11           |         |         |         |         | I        | SDFM-4 Channel 2 Data Input                                                                                                       |
| AIO178      | 0, 4, 8, 12  | J4      |         |         |         | I        | Analog Pin Used For Digital Input 178 This pin also has analog functions which are described in the ANALOG section of this table. |
| SD4_C3      | 11           |         |         |         |         | I        | SDFM-4 Channel 3 Clock Input                                                                                                      |
| AIO179      | 0, 4, 8, 12  | J3      |         |         |         | I        | Analog Pin Used For Digital Input 179 This pin also has analog functions which are described in the ANALOG section of this table. |
| SD4_D3      | 11           |         |         |         |         | I        | SDFM-4 Channel 3 Data Input                                                                                                       |
| AIO180      | 0, 4, 8, 12  | R2      | 45      | 37      | 26      | I        | Analog Pin Used For Digital Input 180 This pin also has analog functions which are described in the ANALOG section of this table. |
| SD1_C2      | 11           |         |         |         |         | I        | SDFM-1 Channel 2 Clock Input                                                                                                      |
| AIO181      | 0, 4, 8, 12  | T2      | 46      | 38      | 27      | I        | Analog Pin Used For Digital Input 181 This pin also has analog functions which are described in the ANALOG section of this table. |
| SD1_D2      | 11           |         |         |         |         | I        | SDFM-1 Channel 2 Data Input                                                                                                       |
| AIO182      | 0, 4, 8, 12  | N4      | 51      | 43      |         | I        | Analog Pin Used For Digital Input 182 This pin also has analog functions which are described in the ANALOG section of this table. |
| SD3_C1      | 11           |         |         |         |         | I        | SDFM-3 Channel 1 Clock Input                                                                                                      |
| AIO183      | 0, 4, 8, 12  | M5      | 52      | 44      |         | I        | Analog Pin Used For Digital Input 183 This pin also has analog functions which are described in the ANALOG section of this table. |
| SD3_D1      | 11           |         |         |         |         | I        | SDFM-3 Channel 1 Data Input                                                                                                       |
| AIO184      | 0, 4, 8, 12  | P5      | 55      | 47      |         | I        | Analog Pin Used For Digital Input 184 This pin also has analog functions which are described in the ANALOG section of this table. |
| SD3_C2      | 11           |         |         |         |         | I        | SDFM-3 Channel 2 Clock Input                                                                                                      |

**Table 5-1. Pin Attributes (continued)**

| SIGNAL NAME     | MUX POSITION | 256 ZEX | 176 PTS | 144 RFS | 100 PZS | PIN TYPE | DESCRIPTION                                                                                                                       |
|-----------------|--------------|---------|---------|---------|---------|----------|-----------------------------------------------------------------------------------------------------------------------------------|
| AIO185          | 0, 4, 8, 12  | N5      | 56      | 48      |         | I        | Analog Pin Used For Digital Input 185 This pin also has analog functions which are described in the ANALOG section of this table. |
| SD3_D2          | 11           |         |         |         |         | I        | SDFM-3 Channel 2 Data Input                                                                                                       |
| GPIO236         | 0, 4, 8, 12  |         |         |         |         | I/O      | General-Purpose Input Output 236 This pin also has analog functions which are described in the ANALOG section of this table.      |
| EPWM12_B        | 1            |         |         |         |         | O        | ePWM-12 Output B                                                                                                                  |
| EPWM8_A         | 2            |         |         |         |         | O        | ePWM-8 Output A                                                                                                                   |
| LINA_RX         | 6            | M8      | 63      |         |         | I        | LIN-A Receive                                                                                                                     |
| OUTPUTXBAR6     | 9            |         |         |         |         | O        | Output X-BAR Output 6                                                                                                             |
| SD4_C2          | 11           |         |         |         |         | I        | SDFM-4 Channel 2 Clock Input                                                                                                      |
| ESC_I2C_SDA     | 13           |         |         |         |         | I/OC     | EtherCAT I2C Data                                                                                                                 |
| ADCC_EXTMUXSEL0 | 14           |         |         |         |         | O        | External ADC selection Mux output                                                                                                 |
| GPIO237         | 0, 4, 8, 12  |         |         |         |         | I/O      | General-Purpose Input Output 237 This pin also has analog functions which are described in the ANALOG section of this table.      |
| EPWM14_A        | 1            |         |         |         |         | O        | ePWM-14 Output A                                                                                                                  |
| EPWM8_B         | 2            |         |         |         |         | O        | ePWM-8 Output B                                                                                                                   |
| EPWM17_B        | 3            |         |         |         |         | O        | ePWM-17 Output B                                                                                                                  |
| LINA_TX         | 6            | M9      | 64      |         |         | O        | LIN-A Transmit                                                                                                                    |
| I2CA_SDA        | 7            |         |         |         |         | I/OD     | I2C-A Open-Drain Bidirectional Data                                                                                               |
| OUTPUTXBAR7     | 9            |         |         |         |         | O        | Output X-BAR Output 7                                                                                                             |
| SD4_D3          | 11           |         |         |         |         | I        | SDFM-4 Channel 3 Data Input                                                                                                       |
| ESC_I2C_SCL     | 13           |         |         |         |         | I/OC     | EtherCAT I2C Clock                                                                                                                |
| ADCC_EXTMUXSEL1 | 14           |         |         |         |         | O        | External ADC selection Mux output                                                                                                 |
| GPIO238         | 0, 4, 8, 12  |         |         |         |         | I/O      | General-Purpose Input Output 238 This pin also has analog functions which are described in the ANALOG section of this table.      |
| EPWM15_B        | 1            |         |         |         |         | O        | ePWM-15 Output B                                                                                                                  |
| OUTPUTXBAR6     | 9            |         |         |         |         | O        | Output X-BAR Output 6                                                                                                             |
| SD1_D3          | 10           | N12     | 69      | 58      | 40      | I        | SDFM-1 Channel 3 Data Input                                                                                                       |
| SD2_C3          | 11           |         |         |         |         | I        | SDFM-2 Channel 3 Clock Input                                                                                                      |
| ESC_SYNC0       | 13           |         |         |         |         | O        | EtherCAT SyncSignal Output 0                                                                                                      |
| ADCC_EXTMUXSEL2 | 14           |         |         |         |         | O        | External ADC selection Mux output                                                                                                 |
| ESC_GPO15       | 15           |         |         |         |         | O        | EtherCAT General-Purpose Output 15                                                                                                |
| GPIO239         | 0, 4, 8, 12  |         |         |         |         | I/O      | General-Purpose Input Output 239 This pin also has analog functions which are described in the ANALOG section of this table.      |
| EPWM16_B        | 1            |         |         |         |         | O        | ePWM-16 Output B                                                                                                                  |
| LINB_TX         | 6            |         |         |         |         | O        | LIN-B Transmit                                                                                                                    |
| I2CA_SCL        | 7            | P12     | 70      | 59      | 41      | I/OD     | I2C-A Open-Drain Bidirectional Clock                                                                                              |
| OUTPUTXBAR8     | 9            |         |         |         |         | O        | Output X-BAR Output 8                                                                                                             |
| SD2_C4          | 11           |         |         |         |         | I        | SDFM-2 Channel 4 Clock Input                                                                                                      |
| ESC_SYNC1       | 13           |         |         |         |         | O        | EtherCAT SyncSignal Output 1                                                                                                      |
| ADCC_EXTMUXSEL3 | 14           |         |         |         |         | O        | External ADC selection Mux output                                                                                                 |
| ESC_GPO16       | 15           |         |         |         |         | O        | EtherCAT General-Purpose Output 16                                                                                                |
| AIO186          | 0, 4, 8, 12  | N8      |         |         |         | I        | Analog Pin Used For Digital Input 186 This pin also has analog functions which are described in the ANALOG section of this table. |
| SD1_C1          | 11           |         |         |         |         | I        | SDFM-1 Channel 1 Clock Input                                                                                                      |
| AIO187          | 0, 4, 8, 12  | P8      |         |         |         | I        | Analog Pin Used For Digital Input 187 This pin also has analog functions which are described in the ANALOG section of this table. |
| SD1_D1          | 11           |         |         |         |         | I        | SDFM-1 Channel 1 Data Input                                                                                                       |

**Table 5-1. Pin Attributes (continued)**

| SIGNAL NAME                                                                             | MUX POSITION                                  | 256 ZEX | 176 PTS | 144 RFS | 100 PZS | PIN TYPE                            | DESCRIPTION                                                                                                                                                                                                                                                                                    |
|-----------------------------------------------------------------------------------------|-----------------------------------------------|---------|---------|---------|---------|-------------------------------------|------------------------------------------------------------------------------------------------------------------------------------------------------------------------------------------------------------------------------------------------------------------------------------------------|
| AIO188<br>SD1_C2                                                                        | 0, 4, 8, 12<br>11                             | R8      |         |         |         | I<br>I                              | Analog Pin Used For Digital Input 188 This pin also has analog functions which are described in the ANALOG section of this table.<br>SDFM-1 Channel 2 Clock Input                                                                                                                              |
| AIO189<br>SD1_D2                                                                        | 0, 4, 8, 12<br>11                             | T8      |         |         |         | I<br>I                              | Analog Pin Used For Digital Input 189 This pin also has analog functions which are described in the ANALOG section of this table.<br>SDFM-1 Channel 2 Data Input                                                                                                                               |
| AIO190<br>SD1_C3                                                                        | 0, 4, 8, 12<br>11                             | N7      |         |         |         | I<br>I                              | Analog Pin Used For Digital Input 190 This pin also has analog functions which are described in the ANALOG section of this table.<br>SDFM-1 Channel 3 Clock Input                                                                                                                              |
| AIO191<br>SD1_D3                                                                        | 0, 4, 8, 12<br>11                             | P7      |         |         |         | I<br>I                              | Analog Pin Used For Digital Input 191 This pin also has analog functions which are described in the ANALOG section of this table.<br>SDFM-1 Channel 3 Data Input                                                                                                                               |
| AIO192<br>SD1_C3                                                                        | 0, 4, 8, 12<br>11                             | R3      | 47      | 39      | 28      | I<br>I                              | Analog Pin Used For Digital Input 192 This pin also has analog functions which are described in the ANALOG section of this table.<br>SDFM-1 Channel 3 Clock Input                                                                                                                              |
| AIO193<br>SD1_D3                                                                        | 0, 4, 8, 12<br>11                             | T3      | 48      | 40      | 29      | I<br>I                              | Analog Pin Used For Digital Input 193 This pin also has analog functions which are described in the ANALOG section of this table.<br>SDFM-1 Channel 3 Data Input                                                                                                                               |
| AIO194<br>SD1_C4                                                                        | 0, 4, 8, 12<br>11                             | R5      | 57      | 49      | 34      | I<br>I                              | Analog Pin Used For Digital Input 194 This pin also has analog functions which are described in the ANALOG section of this table.<br>SDFM-1 Channel 4 Clock Input                                                                                                                              |
| AIO195<br>SD1_D4                                                                        | 0, 4, 8, 12<br>11                             | R6      | 58      | 50      | 35      | I<br>I                              | Analog Pin Used For Digital Input 195 This pin also has analog functions which are described in the ANALOG section of this table.<br>SDFM-1 Channel 4 Data Input                                                                                                                               |
| GPIO240<br>EPWM14_B<br>SPID_PICO<br>SD4_C3<br>ESC_LED_RUN<br>ADCD_EXTMUXSELO            | 0, 4, 8, 12<br>1<br>5<br>11<br>13<br>14       | N10     | 65      |         |         | I/O<br>O<br>I/O<br>I<br>O<br>O      | General-Purpose Input Output 240 This pin also has analog functions which are described in the ANALOG section of this table.<br>ePWM-14 Output B<br>SPI-D Peripheral In, Controller Out (PICO)<br>SDFM-4 Channel 3 Clock Input<br>EtherCAT Run LED<br>External ADC selection Mux output        |
| GPIO241<br>EPWM8_A<br>SPID_CLK<br>SD4_D4<br>ESC_LED_ERR<br>ADCD_EXTMUXSEL1<br>ESC_GPO17 | 0, 4, 8, 12<br>1<br>5<br>11<br>13<br>14<br>15 | N11     | 66      | 55      |         | I/O<br>O<br>I/O<br>I<br>O<br>O<br>O | General-Purpose Input Output 241 This pin also has analog functions which are described in the ANALOG section of this table.<br>ePWM-8 Output A<br>SPI-D Clock<br>SDFM-4 Channel 4 Data Input<br>EtherCAT Error LED<br>External ADC selection Mux output<br>EtherCAT General-Purpose Output 17 |

**Table 5-1. Pin Attributes (continued)**

| SIGNAL NAME          | MUX POSITION | 256<br>ZEX | 176<br>PTS | 144<br>RFS | 100<br>PZS | PIN<br>TYPE | DESCRIPTION                                                                                                                       |
|----------------------|--------------|------------|------------|------------|------------|-------------|-----------------------------------------------------------------------------------------------------------------------------------|
| GPIO242              | 0, 4, 8, 12  |            |            |            |            | I/O         | General-Purpose Input Output 242 This pin also has analog functions which are described in the ANALOG section of this table.      |
| SD1_D4               | 6            |            |            |            |            | I           | SDFM-1 Channel 4 Data Input                                                                                                       |
| I2CA_SDA             | 7            |            |            |            |            | I/OD        | I2C-A Open-Drain Bidirectional Data                                                                                               |
| OUTPUTXBAR9          | 9            | T12        | 71         | 60         |            | O           | Output X-BAR Output 9                                                                                                             |
| SENT1                | 10           |            |            |            |            | I/O         | SENT Input Pin 1                                                                                                                  |
| SD2_D2               | 11           |            |            |            |            | I           | SDFM-2 Channel 2 Data Input                                                                                                       |
| ESC_LED_STATE_RUN    | 13           |            |            |            |            | O           | EtherCAT LED State Run                                                                                                            |
| ADCD_EXTMUXSEL2      | 14           |            |            |            |            | O           | External ADC selection Mux output                                                                                                 |
| ESC_GPO18            | 15           |            |            |            |            | O           | EtherCAT General-Purpose Output 18                                                                                                |
| GPIO243              | 0, 4, 8, 12  |            |            |            |            | I/O         | General-Purpose Input Output 243 This pin also has analog functions which are described in the ANALOG section of this table.      |
| EPWM8_B              | 1            |            |            |            |            | O           | ePWM-8 Output B                                                                                                                   |
| SENT2                | 10           | R12        | 72         | 61         |            | I/O         | SENT Input Pin 2                                                                                                                  |
| SD2_D4               | 11           |            |            |            |            | I           | SDFM-2 Channel 4 Data Input                                                                                                       |
| ESC_LED_LINK0_ACTIVE | 13           |            |            |            |            | O           | EtherCAT Link-0 Active                                                                                                            |
| ADCD_EXTMUXSEL3      | 14           |            |            |            |            | O           | External ADC selection Mux output                                                                                                 |
| ESC_GPO19            | 15           |            |            |            |            | O           | EtherCAT General-Purpose Output 19                                                                                                |
| GPIO244              | 0, 4, 8, 12  |            |            |            |            | I/O         | General-Purpose Input Output 244 This pin also has analog functions which are described in the ANALOG section of this table.      |
| SPIC_PTE             | 5            | R13        | 75         |            |            | I/O         | SPI-C Peripheral Transmit Enable (PTE)                                                                                            |
| SENT5                | 10           |            |            |            |            | I/O         | SENT Input Pin 5                                                                                                                  |
| SD4_C4               | 11           |            |            |            |            | I           | SDFM-4 Channel 4 Clock Input                                                                                                      |
| ESC_LED_LINK1_ACTIVE | 13           |            |            |            |            | O           | EtherCAT Link-1 Active                                                                                                            |
| GPIO245              | 0, 4, 8, 12  |            |            |            |            | I/O         | General-Purpose Input Output 245 This pin also has analog functions which are described in the ANALOG section of this table.      |
| SPIC_POCI            | 5            | T13        | 76         |            |            | I/O         | SPI-C Peripheral Out, Controller In (POCI)                                                                                        |
| SENT6                | 10           |            |            |            |            | I/O         | SENT Input Pin 6                                                                                                                  |
| SD3_C1               | 11           |            |            |            |            | I           | SDFM-3 Channel 1 Clock Input                                                                                                      |
| ESC_PHY_RESETh       | 13           |            |            |            |            | O           | EtherCAT PHY Active Low Reset                                                                                                     |
| AIO196               | 0, 4, 8, 12  | N6         |            |            |            | I           | Analog Pin Used For Digital Input 196 This pin also has analog functions which are described in the ANALOG section of this table. |
| SD4_C4               | 11           |            |            |            |            | I           | SDFM-4 Channel 4 Clock Input                                                                                                      |
| AIO197               | 0, 4, 8, 12  | P6         |            |            |            | I           | Analog Pin Used For Digital Input 197 This pin also has analog functions which are described in the ANALOG section of this table. |
| SD4_D4               | 11           |            |            |            |            | I           | SDFM-4 Channel 4 Data Input                                                                                                       |
| AIO198               | 0, 4, 8, 12  | M7         |            |            |            | I           | Analog Pin Used For Digital Input 198 This pin also has analog functions which are described in the ANALOG section of this table. |
| SD1_C4               | 11           |            |            |            |            | I           | SDFM-1 Channel 4 Clock Input                                                                                                      |
| AIO199               | 0, 4, 8, 12  | M6         |            |            |            | I           | Analog Pin Used For Digital Input 199 This pin also has analog functions which are described in the ANALOG section of this table. |
| SD1_D4               | 11           |            |            |            |            | I           | SDFM-1 Channel 4 Data Input                                                                                                       |
| AIO200               | 0, 4, 8, 12  | R7         |            |            |            | I           | Analog Pin Used For Digital Input 200 This pin also has analog functions which are described in the ANALOG section of this table. |
| SD2_C1               | 11           |            |            |            |            | I           | SDFM-2 Channel 1 Clock Input                                                                                                      |

**Table 5-1. Pin Attributes (continued)**

| SIGNAL NAME     | MUX POSITION | 256 ZEX | 176 PTS | 144 RFS | 100 PZS | PIN TYPE | DESCRIPTION                                                                                                                       |
|-----------------|--------------|---------|---------|---------|---------|----------|-----------------------------------------------------------------------------------------------------------------------------------|
| AIO201          | 0, 4, 8, 12  | T7      |         |         |         | I        | Analog Pin Used For Digital Input 201 This pin also has analog functions which are described in the ANALOG section of this table. |
| SD2_D1          | 11           |         |         |         |         | I        | SDFM-2 Channel 1 Data Input                                                                                                       |
| AIO202          | 0, 4, 8, 12  | P3      | 49      | 41      | 30      | I        | Analog Pin Used For Digital Input 202 This pin also has analog functions which are described in the ANALOG section of this table. |
| SD2_C1          | 11           |         |         |         |         | I        | SDFM-2 Channel 1 Clock Input                                                                                                      |
| AIO203          | 0, 4, 8, 12  | P4      | 50      | 42      | 31      | I        | Analog Pin Used For Digital Input 203 This pin also has analog functions which are described in the ANALOG section of this table. |
| SD2_D1          | 11           |         |         |         |         | I        | SDFM-2 Channel 1 Data Input                                                                                                       |
| AIO204          | 0, 4, 8, 12  | T5      | 59      | 51      |         | I        | Analog Pin Used For Digital Input 204 This pin also has analog functions which are described in the ANALOG section of this table. |
| SD3_C3          | 11           |         |         |         |         | I        | SDFM-3 Channel 3 Clock Input                                                                                                      |
| AIO205          | 0, 4, 8, 12  | T6      | 60      | 52      |         | I        | Analog Pin Used For Digital Input 205 This pin also has analog functions which are described in the ANALOG section of this table. |
| SD3_D3          | 11           |         |         |         |         | I        | SDFM-3 Channel 3 Data Input                                                                                                       |
| GPIO246         | 0, 4, 8, 12  |         |         |         |         | I/O      | General-Purpose Input Output 246 This pin also has analog functions which are described in the ANALOG section of this table.      |
| EPWM16_A        | 1            |         |         |         |         | O        | ePWM-16 Output A                                                                                                                  |
| SPID_PTE        | 5            |         |         |         |         | I/O      | SPI-D Peripheral Transmit Enable (PTE)                                                                                            |
| MCANC_RX        | 6            | P11     | 67      | 56      | 38      | I        | CAN/CAN FD-C Receive                                                                                                              |
| OUTPUTXBAR7     | 9            |         |         |         |         | O        | Output X-BAR Output 7                                                                                                             |
| SD1_D1          | 11           |         |         |         |         | I        | SDFM-1 Channel 1 Data Input                                                                                                       |
| ADCE_EXTMUXSELO | 14           |         |         |         |         | O        | External ADC selection Mux output                                                                                                 |
| ESC_GPO20       | 15           |         |         |         |         | O        | EtherCAT General-Purpose Output 20                                                                                                |
| GPIO247         | 0, 4, 8, 12  |         |         |         |         | I/O      | General-Purpose Input Output 247 This pin also has analog functions which are described in the ANALOG section of this table.      |
| EPWM15_A        | 1            |         |         |         |         | O        | ePWM-15 Output A                                                                                                                  |
| ERRORSTS        | 2            |         |         |         |         | O        | Error Status Output. This signal requires an external pulldown.                                                                   |
| SPID_POCI       | 5            | R11     | 68      | 57      | 39      | I/O      | SPI-D Peripheral Out, Controller In (POCI)                                                                                        |
| MCANC_RX        | 6            |         |         |         |         | I        | CAN/CAN FD-C Receive                                                                                                              |
| LINA_TX         | 7            |         |         |         |         | O        | LIN-A Transmit                                                                                                                    |
| OUTPUTXBAR5     | 9            |         |         |         |         | O        | Output X-BAR Output 5                                                                                                             |
| SD2_D3          | 11           |         |         |         |         | I        | SDFM-2 Channel 3 Data Input                                                                                                       |
| ADCE_EXTMUXSEL1 | 14           |         |         |         |         | O        | External ADC selection Mux output                                                                                                 |
| ESC_GPO21       | 15           |         |         |         |         | O        | EtherCAT General-Purpose Output 21                                                                                                |
| GPIO248         | 0, 4, 8, 12  |         |         |         |         | I/O      | General-Purpose Input Output 248 This pin also has analog functions which are described in the ANALOG section of this table.      |
| EMIF1_SDCKE     | 2            |         |         |         |         | O        | External memory interface 1 SDRAM clock enable                                                                                    |
| SPIC_PICO       | 5            |         |         |         |         | I/O      | SPI-C Peripheral In, Controller Out (PICO)                                                                                        |
| SENT3           | 10           | P13     | 73      | 62      |         | I/O      | SENT Input Pin 3                                                                                                                  |
| SD1_C2          | 11           |         |         |         |         | I        | SDFM-1 Channel 2 Clock Input                                                                                                      |
| ESC_LED_RUN     | 13           |         |         |         |         | O        | EtherCAT Run LED                                                                                                                  |
| ADCE_EXTMUXSEL2 | 14           |         |         |         |         | O        | External ADC selection Mux output                                                                                                 |
| ESC_GPO22       | 15           |         |         |         |         | O        | EtherCAT General-Purpose Output 22                                                                                                |

**Table 5-1. Pin Attributes (continued)**

| SIGNAL NAME         | MUX POSITION | 256 ZEX | 176 PTS | 144 RFS | 100 PZS | PIN TYPE | DESCRIPTION                                                                                                                       |
|---------------------|--------------|---------|---------|---------|---------|----------|-----------------------------------------------------------------------------------------------------------------------------------|
| GPIO249             | 0, 4, 8, 12  |         |         |         |         | I/O      | General-Purpose Input Output 249 This pin also has analog functions which are described in the ANALOG section of this table.      |
| SPIC_CLK            | 5            |         |         |         |         | I/O      | SPI-C Clock                                                                                                                       |
| SENT4               | 10           | N13     | 74      | 63      |         | I/O      | SENT Input Pin 4                                                                                                                  |
| SD1_D2              | 11           |         |         |         |         | I        | SDFM-1 Channel 2 Data Input                                                                                                       |
| ESC_PHY0_LINKSTATUS | 13           |         |         |         |         | I        | EtherCAT PHY-0 Link Status                                                                                                        |
| ADCE_EXTMUXSEL3     | 14           |         |         |         |         | O        | External ADC selection Mux output                                                                                                 |
| ESC_GPO23           | 15           |         |         |         |         | O        | EtherCAT General-Purpose Output 23                                                                                                |
| AIO206              | 0, 4, 8, 12  | T10     |         |         |         | I        | Analog Pin Used For Digital Input 206 This pin also has analog functions which are described in the ANALOG section of this table. |
| SD3_C4              | 11           |         |         |         |         | I        | SDFM-3 Channel 4 Clock Input                                                                                                      |
| AIO207              | 0, 4, 8, 12  | T9      |         |         |         | I        | Analog Pin Used For Digital Input 207 This pin also has analog functions which are described in the ANALOG section of this table. |
| SD3_D4              | 11           |         |         |         |         | I        | SDFM-3 Channel 4 Data Input                                                                                                       |
| AIO208              | 0, 4, 8, 12  | R10     |         |         |         | I        | Analog Pin Used For Digital Input 208 This pin also has analog functions which are described in the ANALOG section of this table. |
| SD2_C2              | 11           |         |         |         |         | I        | SDFM-2 Channel 2 Clock Input                                                                                                      |
| AIO209              | 0, 4, 8, 12  | R9      |         |         |         | I        | Analog Pin Used For Digital Input 209 This pin also has analog functions which are described in the ANALOG section of this table. |
| SD2_D2              | 11           |         |         |         |         | I        | SDFM-2 Channel 2 Data Input                                                                                                       |
| AIO210              | 0, 4, 8, 12  | P9      |         |         |         | I        | Analog Pin Used For Digital Input 210 This pin also has analog functions which are described in the ANALOG section of this table. |
| SD2_C3              | 11           |         |         |         |         | I        | SDFM-2 Channel 3 Clock Input                                                                                                      |
| AIO211              | 0, 4, 8, 12  | N9      |         |         |         | I        | Analog Pin Used For Digital Input 211 This pin also has analog functions which are described in the ANALOG section of this table. |
| SD2_D3              | 11           |         |         |         |         | I        | SDFM-2 Channel 3 Data Input                                                                                                       |
| AIO212              | 0, 4, 8, 12  | P10     |         |         |         | I        | Analog Pin Used For Digital Input 212 This pin also has analog functions which are described in the ANALOG section of this table. |
| SD2_C4              | 11           |         |         |         |         | I        | SDFM-2 Channel 4 Clock Input                                                                                                      |
| AIO213              | 0, 4, 8, 12  | T11     |         |         |         | I        | Analog Pin Used For Digital Input 213 This pin also has analog functions which are described in the ANALOG section of this table. |
| SD2_D4              | 11           |         |         |         |         | I        | SDFM-2 Channel 4 Data Input                                                                                                       |
| GPIO0               | 0, 4, 8, 12  |         |         |         |         | I/O      | General-Purpose Input Output 0                                                                                                    |
| EPWM1_A             | 1            |         |         |         |         | O        | ePWM-1 Output A                                                                                                                   |
| EMIF1_A13           | 2            |         |         |         |         | O        | External memory interface 1 address line 13                                                                                       |
| EMIF1_D0            | 3            |         |         |         |         | I/O      | External memory interface 1 data line 0                                                                                           |
| MCAND_TX            | 5            |         |         |         |         | O        | CAN/CAN FD-D Transmit                                                                                                             |
| I2CA_SDA            | 6            | A8      | 160     | 128     | 88      | I/OD     | I2C-A Open-Drain Bidirectional Data                                                                                               |
| UARTE_TX            | 7            |         |         |         |         | I/O      | UART-E Serial Data Transmit                                                                                                       |
| OUTPUTXBAR9         | 9            |         |         |         |         | O        | Output X-BAR Output 9                                                                                                             |
| ESC_TX0_DATA0       | 10           |         |         |         |         | O        | EtherCAT MII Transmit-0 Data-0                                                                                                    |
| ESC_GPI0            | 11           |         |         |         |         | I        | EtherCAT General-Purpose Input 0                                                                                                  |
| FSITXA_D0           | 13           |         |         |         |         | O        | FSITX-A Primary Data Output                                                                                                       |

**Table 5-1. Pin Attributes (continued)**

| SIGNAL NAME   | MUX POSITION | 256 ZEX | 176 PTS | 144 RFS | 100 PZS | PIN TYPE | DESCRIPTION                                                     |
|---------------|--------------|---------|---------|---------|---------|----------|-----------------------------------------------------------------|
| GPIO1         | 0, 4, 8, 12  |         |         |         |         | I/O      | General-Purpose Input Output 1                                  |
| EPWM1_B       | 1            |         |         |         |         | O        | ePWM-1 Output B                                                 |
| EMIF1_A14     | 2            |         |         |         |         | O        | External memory interface 1 address line 14                     |
| EMIF1_D3      | 3            |         |         |         |         | I/O      | External memory interface 1 data line 3                         |
| MCAND_RX      | 5            |         |         |         |         | I        | CAN/CAN FD-D Receive                                            |
| I2CA_SCL      | 6            | A7      | 161     | 129     | 89      | I/OD     | I2C-A Open-Drain Bidirectional Clock                            |
| UARTE_RX      | 7            |         |         |         |         | I/O      | UART-E Serial Data Receive                                      |
| OUTPUTXBAR10  | 9            |         |         |         |         | O        | Output X-BAR Output 10                                          |
| ESC_TX1_DATA0 | 10           |         |         |         |         | O        | EtherCAT MII Transmit-1 Data-0                                  |
| ESC_GPI1      | 11           |         |         |         |         | I        | EtherCAT General-Purpose Input 1                                |
| FSITXA_D1     | 13           |         |         |         |         | O        | FSITX-A Optional Additional Data Output                         |
| GPIO2         | 0, 4, 8, 12  |         |         |         |         | I/O      | General-Purpose Input Output 2                                  |
| EPWM2_A       | 1            |         |         |         |         | O        | ePWM-2 Output A                                                 |
| EMIF1_A15     | 2            |         |         |         |         | O        | External memory interface 1 address line 15                     |
| EMIF1_D4      | 3            |         |         |         |         | I/O      | External memory interface 1 data line 4                         |
| UARTA_TX      | 5            |         |         |         |         | I/O      | UART-A Serial Data Transmit                                     |
| I2CB_SDA      | 6            | B7      | 162     | 130     | 90      | I/OD     | I2C-B Open-Drain Bidirectional Data                             |
| MCANF_TX      | 7            |         |         |         |         | O        | CAN/CAN FD-F Transmit                                           |
| OUTPUTXBAR1   | 9            |         |         |         |         | O        | Output X-BAR Output 1                                           |
| ESC_RX1_ERR   | 10           |         |         |         |         | I        | EtherCAT MII Receive-1 Error                                    |
| ESC_GPI2      | 11           |         |         |         |         | I        | EtherCAT General-Purpose Input 2                                |
| FSITXA_CLK    | 13           |         |         |         |         | O        | FSITX-A Output Clock                                            |
| GPIO3         | 0, 4, 8, 12  |         |         |         |         | I/O      | General-Purpose Input Output 3                                  |
| EPWM2_B       | 1            |         |         |         |         | O        | ePWM-2 Output B                                                 |
| EMIF1_A16     | 2            |         |         |         |         | O        | External memory interface 1 address line 16                     |
| EMIF1_D5      | 3            |         |         |         |         | I/O      | External memory interface 1 data line 5                         |
| UARTA_RX      | 5            |         |         |         |         | I/O      | UART-A Serial Data Receive                                      |
| I2CB_SCL      | 6            | C7      | 163     | 131     | 91      | I/OD     | I2C-B Open-Drain Bidirectional Clock                            |
| MCANF_RX      | 7            |         |         |         |         | I        | CAN/CAN FD-F Receive                                            |
| OUTPUTXBAR2   | 9            |         |         |         |         | O        | Output X-BAR Output 2                                           |
| ESC_GPI3      | 11           |         |         |         |         | I        | EtherCAT General-Purpose Input 3                                |
| FSIRXA_D0     | 13           |         |         |         |         | I        | FSIRX-A Primary Data Input                                      |
| GPIO4         | 0, 4, 8, 12  |         |         |         |         | I/O      | General-Purpose Input Output 4                                  |
| EPWM3_A       | 1            |         |         |         |         | O        | ePWM-3 Output A                                                 |
| EMIF1_A17     | 2            |         |         |         |         | O        | External memory interface 1 address line 17                     |
| EMIF1_D9      | 3            |         |         |         |         | I/O      | External memory interface 1 data line 9                         |
| MCANC_TX      | 5            |         |         |         |         | O        | CAN/CAN FD-C Transmit                                           |
| UARTF_TX      | 7            | D7      | 164     | 132     | 92      | I/O      | UART-F Serial Data Transmit                                     |
| OUTPUTXBAR3   | 9            |         |         |         |         | O        | Output X-BAR Output 3                                           |
| ESC_GPI4      | 11           |         |         |         |         | I        | EtherCAT General-Purpose Input 4                                |
| FSIRXA_D1     | 13           |         |         |         |         | I        | FSIRX-A Optional Additional Data Input                          |
| ERRORSTS      | 15           |         |         |         |         | O        | Error Status Output. This signal requires an external pulldown. |

**Table 5-1. Pin Attributes (continued)**

| SIGNAL NAME  | MUX POSITION | 256 ZEX | 176 PTS | 144 RFS | 100 PZS | PIN TYPE | DESCRIPTION                                                           |
|--------------|--------------|---------|---------|---------|---------|----------|-----------------------------------------------------------------------|
| GPIO5        | 0, 4, 8, 12  |         |         |         |         | I/O      | General-Purpose Input Output 5                                        |
| EPWM3_B      | 1            |         |         |         |         | O        | ePWM-3 Output B                                                       |
| EMIF1_A18    | 2            |         |         |         |         | O        | External memory interface 1 address line 18                           |
| EMIF1_D10    | 3            |         |         |         |         | I/O      | External memory interface 1 data line 10                              |
| MCANC_RX     | 5            | A6      | 165     | 133     | 93      | I        | CAN/CAN FD-C Receive                                                  |
| UARTF_RX     | 7            |         |         |         |         | I/O      | UART-F Serial Data Receive                                            |
| OUTPUTXBAR11 | 9            |         |         |         |         | O        | Output X-BAR Output 11                                                |
| OUTPUTXBAR3  | 10           |         |         |         |         | O        | Output X-BAR Output 3                                                 |
| ESC_GPI5     | 11           |         |         |         |         | I        | EtherCAT General-Purpose Input 5                                      |
| FSIRXA_CLK   | 13           |         |         |         |         | I        | FSIRX-A Input Clock                                                   |
| GPIO6        | 0, 4, 8, 12  |         |         |         |         | I/O      | General-Purpose Input Output 6                                        |
| EPWM4_A      | 1            |         |         |         |         | O        | ePWM-4 Output A                                                       |
| EMIF1_DQM0   | 2            |         |         |         |         | O        | External memory interface 1 Input/output mask for byte 0              |
| EMIF1_CLK    | 3            |         |         |         |         | O        | External memory interface 1 clock                                     |
| MCANB_TX     | 5            | B6      | 166     | 134     | 94      | O        | CAN/CAN FD-B Transmit                                                 |
| LINA_TX      | 6            |         |         |         |         | O        | LIN-A Transmit                                                        |
| OUTPUTXBAR4  | 9            |         |         |         |         | O        | Output X-BAR Output 4                                                 |
| SYNCOUT      | 10           |         |         |         |         | O        | External ePWM Synchronization Pulse                                   |
| ESC_GPI6     | 11           |         |         |         |         | I        | EtherCAT General-Purpose Input 6                                      |
| FSITXB_D0    | 13           |         |         |         |         | O        | FSITX-B Primary Data Output                                           |
| GPIO7        | 0, 4, 8, 12  |         |         |         |         | I/O      | General-Purpose Input Output 7                                        |
| EPWM4_B      | 1            |         |         |         |         | O        | ePWM-4 Output B                                                       |
| EMIF1_DQM1   | 2            |         |         |         |         | O        | External memory interface 1 Input/output mask for byte 1              |
| EMIF1_CAS    | 3            |         |         |         |         | O        | External memory interface 1 column address strobe                     |
| MCANB_RX     | 5            | C6      | 167     | 135     |         | I        | CAN/CAN FD-B Receive                                                  |
| LINA_RX      | 6            |         |         |         |         | I        | LIN-A Receive                                                         |
| OUTPUTXBAR5  | 9            |         |         |         |         | O        | Output X-BAR Output 5                                                 |
| ESC_GPI7     | 11           |         |         |         |         | I        | EtherCAT General-Purpose Input 7                                      |
| FSITXB_D1    | 13           |         |         |         |         | O        | FSITX-B Optional Additional Data Output                               |
| GPIO8        | 0, 4, 8, 12  |         |         |         |         | I/O      | General-Purpose Input Output 8                                        |
| EPWM5_A      | 1            |         |         |         |         | O        | ePWM-5 Output A                                                       |
| EMIF1_RAS    | 2            |         |         |         |         | O        | External memory interface 1 row address strobe                        |
| EPWM4_B      | 3            |         |         |         |         | O        | ePWM-4 Output B                                                       |
| MCANC_TX     | 5            |         |         |         |         | O        | CAN/CAN FD-C Transmit                                                 |
| SPIE_PICO    | 6            |         |         |         |         | I/O      | SPI-E Peripheral In, Controller Out (PICO)                            |
| UARTD_TX     | 7            | D6      | 170     | 138     | 96      | I/O      | UART-D Serial Data Transmit                                           |
| OUTPUTXBAR12 | 9            |         |         |         |         | O        | Output X-BAR Output 12                                                |
| ADCSOCAO     | 10           |         |         |         |         | O        | ADC Start of Conversion A Output for External ADC (from ePWM modules) |
| ESC_GPO0     | 11           |         |         |         |         | O        | EtherCAT General-Purpose Output 0                                     |
| FSITXB_CLK   | 13           |         |         |         |         | O        | FSITX-B Output Clock                                                  |
| FSITXA_D1    | 14           |         |         |         |         | O        | FSITX-A Optional Additional Data Output                               |
| FSIRXA_D0    | 15           |         |         |         |         | I        | FSIRX-A Primary Data Input                                            |

**Table 5-1. Pin Attributes (continued)**

| SIGNAL NAME     | MUX POSITION | 256 ZEX | 176 PTS | 144 RFS | 100 PZS | PIN TYPE | DESCRIPTION                                                           |
|-----------------|--------------|---------|---------|---------|---------|----------|-----------------------------------------------------------------------|
| GPIO9           | 0, 4, 8, 12  |         |         |         |         | I/O      | General-Purpose Input Output 9                                        |
| EPWM5_B         | 1            |         |         |         |         | O        | ePWM-5 Output B                                                       |
| EMIF1_D11       | 2            |         |         |         |         | I/O      | External memory interface 1 data line 11                              |
| SPIE_POCI       | 6            |         |         |         |         | I/O      | SPI-E Peripheral Out, Controller In (POCI)                            |
| UARTD_RX        | 7            |         |         |         |         | I/O      | UART-D Serial Data Receive                                            |
| OUTPUTXBAR6     | 9            | A5      | 171     | 139     | 97      | O        | Output X-BAR Output 6                                                 |
| ESC_TX0_CLK     | 10           |         |         |         |         | I        | EtherCAT MII Transmit-0 Clock                                         |
| ESC_GPO1        | 11           |         |         |         |         | O        | EtherCAT General-Purpose Output 1                                     |
| FSIRXB_D0       | 13           |         |         |         |         | I        | FSIRX-B Primary Data Input                                            |
| FSITXA_D0       | 14           |         |         |         |         | O        | FSITX-A Primary Data Output                                           |
| FSIRXA_CLK      | 15           |         |         |         |         | I        | FSIRX-A Input Clock                                                   |
| GPIO10          | 0, 4, 8, 12  |         |         |         |         | I/O      | General-Purpose Input Output 10                                       |
| EPWM8_A         | 1            |         |         |         |         | O        | ePWM-8 Output A                                                       |
| PMBUSA_SCL      | 2            |         |         |         |         | I/OD     | PMBus-A Open-Drain Bidirectional Clock                                |
| ADCSOCBO        | 3            |         |         |         |         | O        | ADC Start of Conversion B Output for External ADC (from ePWM modules) |
| MCANC_RX        | 5            |         |         |         |         | I        | CAN/CAN FD-C Receive                                                  |
| UARTC_TX        | 6            | C5      | 172     | 140     | 98      | I/O      | UART-C Serial Data Transmit                                           |
| I2CA_SCL        | 7            |         |         |         |         | I/OD     | I2C-A Open-Drain Bidirectional Clock                                  |
| SENT2           | 9            |         |         |         |         | I/O      | SENT Input Pin 2                                                      |
| ESC_GPI19       | 13           |         |         |         |         | I        | EtherCAT General-Purpose Input 19                                     |
| ADCA_EXTMUXSEL2 | 14           |         |         |         |         | O        | External ADC selection Mux output                                     |
| OUTPUTXBAR13    | 15           |         |         |         |         | O        | Output X-BAR Output 13                                                |
| GPIO11          | 0, 4, 8, 12  |         |         |         |         | I/O      | General-Purpose Input Output 11                                       |
| EPWM6_B         | 1            |         |         |         |         | O        | ePWM-6 Output B                                                       |
| EMIF1_D15       | 2            |         |         |         |         | I/O      | External memory interface 1 data line 15                              |
| EPWM7_B         | 3            |         |         |         |         | O        | ePWM-7 Output B                                                       |
| SPIE_PTE        | 6            |         |         |         |         | I/O      | SPI-E Peripheral Transmit Enable (PTE)                                |
| SD4_D1          | 7            |         |         |         |         | I        | SDFM-4 Channel 1 Data Input                                           |
| PMBUSA_ALERT    | 9            | A4      | 173     | 141     | 99      | I/OD     | PMBus-A Open-Drain Bidirectional Alert Signal                         |
| ESC_TX0_DATA1   | 10           |         |         |         |         | O        | EtherCAT MII Transmit-0 Data-1                                        |
| ESC_GPO3        | 11           |         |         |         |         | O        | EtherCAT General-Purpose Output 3                                     |
| FSIRXB_CLK      | 13           |         |         |         |         | I        | FSIRX-B Input Clock                                                   |
| FSIRXA_D1       | 14           |         |         |         |         | I        | FSIRX-A Optional Additional Data Input                                |
| OUTPUTXBAR7     | 15           |         |         |         |         | O        | Output X-BAR Output 7                                                 |
| GPIO12          | 0, 4, 8, 12  |         |         |         |         | I/O      | General-Purpose Input Output 12                                       |
| EPWM7_A         | 1            |         |         |         |         | O        | ePWM-7 Output A                                                       |
| EMIF1_A1        | 2            |         |         |         |         | O        | External memory interface 1 address line 1                            |
| ADCSOCAO        | 3            |         |         |         |         | O        | ADC Start of Conversion A Output for External ADC (from ePWM modules) |
| SPIE_CLK        | 6            |         |         |         |         | I/O      | SPI-E Clock                                                           |
| SD4_C2          | 7            |         |         |         |         | I        | SDFM-4 Channel 2 Clock Input                                          |
| PMBUSA_CTL      | 9            | A3      | 174     | 142     | 100     | I/O      | PMBus-A Control Signal - Target Input/Controller Output               |
| ESC_TX0_DATA2   | 10           |         |         |         |         | O        | EtherCAT MII Transmit-0 Data-2                                        |
| ESC_GPO4        | 11           |         |         |         |         | O        | EtherCAT General-Purpose Output 4                                     |
| FSIRXC_D0       | 13           |         |         |         |         | I        | FSIRX-C Primary Data Input                                            |
| FSIRXA_D0       | 14           |         |         |         |         | I        | FSIRX-A Primary Data Input                                            |
| OUTPUTXBAR14    | 15           |         |         |         |         | O        | Output X-BAR Output 14                                                |

**Table 5-1. Pin Attributes (continued)**

| SIGNAL NAME         | MUX POSITION | 256 ZEX | 176 PTS | 144 RFS | 100 PZS | PIN TYPE | DESCRIPTION                                             |
|---------------------|--------------|---------|---------|---------|---------|----------|---------------------------------------------------------|
| GPIO13              | 0, 4, 8, 12  |         |         |         |         | I/O      | General-Purpose Input Output 13                         |
| EPWM7_B             | 1            |         |         |         |         | O        | ePWM-7 Output B                                         |
| EMIF1_CS0n          | 2            |         |         |         |         | O        | External memory interface 1 chip select 0               |
| EMIF1_D9            | 3            |         |         |         |         | I/O      | External memory interface 1 data line 9                 |
| UARTC_RX            | 6            |         |         |         |         | I/O      | UART-C Serial Data Receive                              |
| SD4_D2              | 7            | A2      | 175     | 143     |         | I        | SDFM-4 Channel 2 Data Input                             |
| PMBUSA_SDA          | 9            |         |         |         |         | I/OD     | PMBus-A Open-Drain Bidirectional Data                   |
| ESC_TX0_DATA3       | 10           |         |         |         |         | O        | EtherCAT MII Transmit-0 Data-3                          |
| ESC_GPO5            | 11           |         |         |         |         | O        | EtherCAT General-Purpose Output 5                       |
| FSIRXC_D1           | 13           |         |         |         |         | I        | FSIRX-C Optional Additional Data Input                  |
| FSIRXA_CLK          | 14           |         |         |         |         | I        | FSIRX-A Input Clock                                     |
| OUTPUTXBAR15        | 15           |         |         |         |         | O        | Output X-BAR Output 15                                  |
| GPIO14              | 0, 4, 8, 12  |         |         |         |         | I/O      | General-Purpose Input Output 14                         |
| EPWM6_A             | 1            |         |         |         |         | O        | ePWM-6 Output A                                         |
| EMIF1_D17           | 2            |         |         |         |         | I/O      | External memory interface 1 data line 17                |
| EPWM18_A            | 3            |         |         |         |         | O        | ePWM-18 Output A                                        |
| EMIF1_D13           | 5            |         |         |         |         | I/O      | External memory interface 1 data line 13                |
| LINA_TX             | 6            |         |         |         |         | O        | LIN-A Transmit                                          |
| OUTPUTXBAR3         | 7            | B3      | 176     | 144     |         | O        | Output X-BAR Output 3                                   |
| PMBUSA_SCL          | 9            |         |         |         |         | I/OD     | PMBus-A Open-Drain Bidirectional Clock                  |
| ESC_PHY1_LINKSTATUS | 10           |         |         |         |         | I        | EtherCAT PHY-1 Link Status                              |
| ESC_GPO6            | 11           |         |         |         |         | O        | EtherCAT General-Purpose Output 6                       |
| FSIRXC_CLK          | 13           |         |         |         |         | I        | FSIRX-C Input Clock                                     |
| SD4_C1              | 14           |         |         |         |         | I        | SDFM-4 Channel 1 Clock Input                            |
| OUTPUTXBAR8         | 15           |         |         |         |         | O        | Output X-BAR Output 8                                   |
| GPIO15              | 0, 4, 8, 12  |         |         |         |         | I/O      | General-Purpose Input Output 15                         |
| EPWM8_B             | 1            |         |         |         |         | O        | ePWM-8 Output B                                         |
| PMBUSA_CTL          | 3            |         |         |         |         | I/O      | PMBus-A Control Signal - Target Input/Controller Output |
| I2CA_SDA            | 5            |         |         |         |         | I/OD     | I2C-A Open-Drain Bidirectional Data                     |
| LINA_RX             | 6            |         |         |         |         | I        | LIN-A Receive                                           |
| OUTPUTXBAR4         | 7            | C4      | 1       | 1       | 1       | O        | Output X-BAR Output 4                                   |
| SENT1               | 9            |         |         |         |         | I/O      | SENT Input Pin 1                                        |
| ESC_GPO7            | 10           |         |         |         |         | O        | EtherCAT General-Purpose Output 7                       |
| ESC_GPI20           | 13           |         |         |         |         | I        | EtherCAT General-Purpose Input 20                       |
| ADCA_EXTMUXSEL3     | 14           |         |         |         |         | O        | External ADC selection Mux output                       |
| OUTPUTXBAR16        | 15           |         |         |         |         | O        | Output X-BAR Output 16                                  |
| GPIO16              | 0, 4, 8, 12  |         |         |         |         | I/O      | General-Purpose Input Output 16                         |
| EPWM9_A             | 1            |         |         |         |         | O        | ePWM-9 Output A                                         |
| EMIF1_D29           | 2            |         |         |         |         | I/O      | External memory interface 1 data line 29                |
| EMIF1_BA0           | 3            |         |         |         |         | O        | External memory interface 1 bank address 0              |
| SPIA_PICO           | 5            |         |         |         |         | I/O      | SPI-A Peripheral In, Controller Out (PICO)              |
| MCAND_TX            | 7            | D5      | 2       | 2       | 2       | O        | CAN/CAN FD-D Transmit                                   |
| ESC_RX1_CLK         | 10           |         |         |         |         | I        | EtherCAT MII Receive-1 Clock                            |
| SD1_D1              | 11           |         |         |         |         | I        | SDFM-1 Channel 1 Data Input                             |
| FSIRXD_D1           | 13           |         |         |         |         | I        | FSIRX-D Optional Additional Data Input                  |
| FSIRXC_CLK          | 14           |         |         |         |         | I        | FSIRX-C Input Clock                                     |
| OUTPUTXBAR7         | 15           |         |         |         |         | O        | Output X-BAR Output 7                                   |

**Table 5-1. Pin Attributes (continued)**

| SIGNAL NAME     | MUX POSITION | 256 ZEX | 176 PTS | 144 RFS | 100 PZS | PIN TYPE | DESCRIPTION                                                           |
|-----------------|--------------|---------|---------|---------|---------|----------|-----------------------------------------------------------------------|
| GPIO17          | 0, 4, 8, 12  |         |         |         |         | I/O      | General-Purpose Input Output 17                                       |
| EPWM9_B         | 1            |         |         |         |         | O        | ePWM-9 Output B                                                       |
| EMIF1_DQM3      | 2            |         |         |         |         | O        | External memory interface 1 Input/output mask for byte 3              |
| EMIF1_BA1       | 3            |         |         |         |         | O        | External memory interface 1 bank address 1                            |
| SPIA_POCI       | 5            |         |         |         |         | I/O      | SPI-A Peripheral Out, Controller In (POCI)                            |
| MCAND_RX        | 7            | B2      | 4       | 4       | 4       | I        | CAN/CAN FD-D Receive                                                  |
| ESC_RX1_DV      | 10           |         |         |         |         | I        | EtherCAT MII Receive-1 Data Valid                                     |
| SD1_C1          | 11           |         |         |         |         | I        | SDFM-1 Channel 1 Clock Input                                          |
| FSIRXD_CLK      | 13           |         |         |         |         | I        | FSIRX-D Input Clock                                                   |
| UARTC_TX        | 14           |         |         |         |         | I/O      | UART-C Serial Data Transmit                                           |
| OUTPUTXBAR8     | 15           |         |         |         |         | O        | Output X-BAR Output 8                                                 |
| GPIO18          | 0, 4, 8, 12  |         |         |         |         | I/O      | General-Purpose Input Output 18                                       |
| EPWM15_A        | 1            |         |         |         |         | O        | ePWM-15 Output A                                                      |
| PMBUSA_ALERT    | 3            |         |         |         |         | I/OD     | PMBus-A Open-Drain Bidirectional Alert Signal                         |
| I2CA_SCL        | 5            | F2      | 13      | 10      | 8       | I/OD     | I2C-A Open-Drain Bidirectional Clock                                  |
| UARTC_RX        | 6            |         |         |         |         | I/O      | UART-C Serial Data Receive                                            |
| SENT4           | 9            |         |         |         |         | I/O      | SENT Input Pin 4                                                      |
| ESC_GPI21       | 13           |         |         |         |         | I        | EtherCAT General-Purpose Input 21                                     |
| ADCB_EXTMUXSEL0 | 14           |         |         |         |         | O        | External ADC selection Mux output                                     |
| GPIO19          | 0, 4, 8, 12  |         |         |         |         | I/O      | General-Purpose Input Output 19                                       |
| EPWM10_B        | 1            |         |         |         |         | O        | ePWM-10 Output B                                                      |
| EMIF1_CS3n      | 2            |         |         |         |         | O        | External memory interface 1 chip select 3                             |
| ADCSOCBO        | 3            |         |         |         |         | O        | ADC Start of Conversion B Output for External ADC (from ePWM modules) |
| SPIA_PTE        | 5            | B1      | 5       | 5       |         | I/O      | SPI-A Peripheral Transmit Enable (PTE)                                |
| UARTE_RX        | 6            |         |         |         |         | I/O      | UART-E Serial Data Receive                                            |
| MCANC_TX        | 7            |         |         |         |         | O        | CAN/CAN FD-C Transmit                                                 |
| PMBUSA_ALERT    | 9            |         |         |         |         | I/OD     | PMBus-A Open-Drain Bidirectional Alert Signal                         |
| ESC_TX1_DATA3   | 10           |         |         |         |         | O        | EtherCAT MII Transmit-1 Data-3                                        |
| SD1_C2          | 11           |         |         |         |         | I        | SDFM-1 Channel 2 Clock Input                                          |
| GPIO20          | 0, 4, 8, 12  |         |         |         |         | I/O      | General-Purpose Input Output 20                                       |
| EPWM11_A        | 1            |         |         |         |         | O        | ePWM-11 Output A                                                      |
| EMIF1_BA0       | 2            |         |         |         |         | O        | External memory interface 1 bank address 0                            |
| EMIF1_DQM2      | 3            |         |         |         |         | O        | External memory interface 1 Input/output mask for byte 2              |
| SPIC_PICO       | 6            | C1      | 6       |         |         | I/O      | SPI-C Peripheral In, Controller Out (PICO)                            |
| MCANB_RX        | 7            |         |         |         |         | I        | CAN/CAN FD-B Receive                                                  |
| ESC_TX1_DATA2   | 10           |         |         |         |         | O        | EtherCAT MII Transmit-1 Data-2                                        |
| SD1_D3          | 11           |         |         |         |         | I        | SDFM-1 Channel 3 Data Input                                           |
| GPIO21          | 0, 4, 8, 12  |         |         |         |         | I/O      | General-Purpose Input Output 21                                       |
| EPWM11_B        | 1            |         |         |         |         | O        | ePWM-11 Output B                                                      |
| EMIF1_BA1       | 2            |         |         |         |         | O        | External memory interface 1 bank address 1                            |
| SPIC_POCI       | 6            | C2      | 7       |         |         | I/O      | SPI-C Peripheral Out, Controller In (POCI)                            |
| MCANB_TX        | 7            |         |         |         |         | O        | CAN/CAN FD-B Transmit                                                 |
| ESC_TX1_DATA1   | 10           |         |         |         |         | O        | EtherCAT MII Transmit-1 Data-1                                        |
| SD1_C3          | 11           |         |         |         |         | I        | SDFM-1 Channel 3 Clock Input                                          |

**Table 5-1. Pin Attributes (continued)**

| SIGNAL NAME     | MUX POSITION | 256 ZEX | 176 PTS | 144 RFS | 100 PZS | PIN TYPE | DESCRIPTION                                              |
|-----------------|--------------|---------|---------|---------|---------|----------|----------------------------------------------------------|
| GPIO22          | 0, 4, 8, 12  |         |         |         |         | I/O      | General-Purpose Input Output 22                          |
| EPWM12_A        | 1            |         |         |         |         | O        | ePWM-12 Output A                                         |
| PMBUSA_SDA      | 3            |         |         |         |         | I/OD     | PMBus-A Open-Drain Bidirectional Data                    |
| I2CB_SDA        | 5            |         |         |         |         | I/OD     | I2C-B Open-Drain Bidirectional Data                      |
| UARTB_TX        | 6            | F1      | 14      | 11      | 9       | I/O      | UART-B Serial Data Transmit                              |
| MCANC_TX        | 7            |         |         |         |         | O        | CAN/CAN FD-C Transmit                                    |
| SENT5           | 9            |         |         |         |         | I/O      | SENT Input Pin 5                                         |
| ESC_GPO2        | 10           |         |         |         |         | O        | EtherCAT General-Purpose Output 2                        |
| ESC_GPI22       | 13           |         |         |         |         | I        | EtherCAT General-Purpose Input 22                        |
| ADCB_EXTMUXSEL1 | 14           |         |         |         |         | O        | External ADC selection Mux output                        |
| GPIO23          | 0, 4, 8, 12  |         |         |         |         | I/O      | General-Purpose Input Output 23                          |
| EPWM12_B        | 1            |         |         |         |         | O        | ePWM-12 Output B                                         |
| PMBUSA_SCL      | 3            |         |         |         |         | I/OD     | PMBus-A Open-Drain Bidirectional Clock                   |
| I2CB_SCL        | 5            |         |         |         |         | I/OD     | I2C-B Open-Drain Bidirectional Clock                     |
| UARTB_RX        | 6            | B8      | 159     | 127     | 87      | I/O      | UART-B Serial Data Receive                               |
| MCANC_RX        | 7            |         |         |         |         | I        | CAN/CAN FD-C Receive                                     |
| SENT6           | 9            |         |         |         |         | I/O      | SENT Input Pin 6                                         |
| ESC_PHY_RESETn  | 10           |         |         |         |         | O        | EtherCAT PHY Active Low Reset                            |
| ESC_GPI23       | 13           |         |         |         |         | I        | EtherCAT General-Purpose Input 23                        |
| ADCC_EXTMUXSEL0 | 14           |         |         |         |         | O        | External ADC selection Mux output                        |
| GPIO24          | 0, 4, 8, 12  |         |         |         |         | I/O      | General-Purpose Input Output 24                          |
| EPWM13_A        | 1            |         |         |         |         | O        | ePWM-13 Output A                                         |
| EMIF1_DQM0      | 2            |         |         |         |         | O        | External memory interface 1 Input/output mask for byte 0 |
| SPIB_PICO       | 5            |         |         |         |         | I/O      | SPI-B Peripheral In, Controller Out (PICO)               |
| LINB_TX         | 6            | C8      | 158     | 126     |         | O        | LIN-B Transmit                                           |
| MCANE_TX        | 7            |         |         |         |         | O        | CAN/CAN FD-E Transmit                                    |
| ESC_RX0_CLK     | 10           |         |         |         |         | I        | EtherCAT MII Receive-0 Clock                             |
| SD2_D1          | 11           |         |         |         |         | I        | SDFM-2 Channel 1 Data Input                              |
| ESC_GPI24       | 13           |         |         |         |         | I        | EtherCAT General-Purpose Input 24                        |
| EPWM2_A         | 14           |         |         |         |         | O        | ePWM-2 Output A                                          |
| OUTPUTXBAR1     | 15           |         |         |         |         | O        | Output X-BAR Output 1                                    |
| GPIO25          | 0, 4, 8, 12  |         |         |         |         | I/O      | General-Purpose Input Output 25                          |
| EPWM13_B        | 1            |         |         |         |         | O        | ePWM-13 Output B                                         |
| EMIF1_DQM1      | 2            |         |         |         |         | O        | External memory interface 1 Input/output mask for byte 1 |
| SPIB_POCI       | 5            |         |         |         |         | I/O      | SPI-B Peripheral Out, Controller In (POCI)               |
| LINB_RX         | 6            |         |         |         |         | I        | LIN-B Receive                                            |
| MCANE_RX        | 7            | D8      | 157     | 125     | 86      | I        | CAN/CAN FD-E Receive                                     |
| PMBUSA_SDA      | 9            |         |         |         |         | I/OD     | PMBus-A Open-Drain Bidirectional Data                    |
| ESC_RX0_DV      | 10           |         |         |         |         | I        | EtherCAT MII Receive-0 Data Valid                        |
| SD2_C1          | 11           |         |         |         |         | I        | SDFM-2 Channel 1 Clock Input                             |
| FSITXA_D1       | 13           |         |         |         |         | O        | FSITX-A Optional Additional Data Output                  |
| EPWM2_B         | 14           |         |         |         |         | O        | ePWM-2 Output B                                          |
| OUTPUTXBAR2     | 15           |         |         |         |         | O        | Output X-BAR Output 2                                    |

**Table 5-1. Pin Attributes (continued)**

| SIGNAL NAME     | MUX POSITION | 256 ZEX | 176 PTS | 144 RFS | 100 PZS | PIN TYPE | DESCRIPTION                                              |
|-----------------|--------------|---------|---------|---------|---------|----------|----------------------------------------------------------|
| GPIO26          | 0, 4, 8, 12  |         |         |         |         | I/O      | General-Purpose Input Output 26                          |
| EPWM14_A        | 1            |         |         |         |         | O        | ePWM-14 Output A                                         |
| EMIF1_DQM2      | 2            |         |         |         |         | O        | External memory interface 1 Input/output mask for byte 2 |
| SPIB_CLK        | 5            |         |         |         |         | I/O      | SPI-B Clock                                              |
| UARTE_TX        | 6            |         |         |         |         | I/O      | UART-E Serial Data Transmit                              |
| MCANE_TX        | 7            | B9      | 156     | 124     | 85      | O        | CAN/CAN FD-E Transmit                                    |
| PMBUSA_CTL      | 9            |         |         |         |         | I/O      | PMBus-A Control Signal - Target Input/Controller Output  |
| ESC_RX0_ERR     | 10           |         |         |         |         | I        | EtherCAT MII Receive-0 Error                             |
| SD2_D2          | 11           |         |         |         |         | I        | SDFM-2 Channel 2 Data Input                              |
| FSITXA_D0       | 13           |         |         |         |         | O        | FSITX-A Primary Data Output                              |
| ESC_MDIO_CLK    | 14           |         |         |         |         | O        | EtherCAT MDIO Clock                                      |
| OUTPUTXBAR3     | 15           |         |         |         |         | O        | Output X-BAR Output 3                                    |
| GPIO27          | 0, 4, 8, 12  |         |         |         |         | I/O      | General-Purpose Input Output 27                          |
| EPWM14_B        | 1            |         |         |         |         | O        | ePWM-14 Output B                                         |
| EMIF1_DQM3      | 2            |         |         |         |         | O        | External memory interface 1 Input/output mask for byte 3 |
| SPIB_PTE        | 5            |         |         |         |         | I/O      | SPI-B Peripheral Transmit Enable (PTE)                   |
| UARTA_TX        | 6            |         |         |         |         | I/O      | UART-A Serial Data Transmit                              |
| EPWM4_A         | 9            | C9      | 155     |         |         | O        | ePWM-4 Output A                                          |
| ESC_RX0_DATA0   | 10           |         |         |         |         | I        | EtherCAT MII Receive-0 Data-0                            |
| SD2_C2          | 11           |         |         |         |         | I        | SDFM-2 Channel 2 Clock Input                             |
| FSITXA_CLK      | 13           |         |         |         |         | O        | FSITX-A Output Clock                                     |
| ESC_MDIO_DATA   | 14           |         |         |         |         | I/O      | EtherCAT MDIO Data                                       |
| OUTPUTXBAR4     | 15           |         |         |         |         | O        | Output X-BAR Output 4                                    |
| GPIO28          | 0, 4, 8, 12  |         |         |         |         | I/O      | General-Purpose Input Output 28                          |
| EPWM15_A        | 1            |         |         |         |         | O        | ePWM-15 Output A                                         |
| EMIF1_CS4n      | 2            |         |         |         |         | O        | External memory interface 1 chip select 4                |
| EMIF1_CS2n      | 3            |         |         |         |         | O        | External memory interface 1 chip select 2                |
| UARTA_RX        | 6            | D9      | 154     |         |         | I/O      | UART-A Serial Data Receive                               |
| EPWM4_B         | 9            |         |         |         |         | O        | ePWM-4 Output B                                          |
| ESC_RX0_DATA1   | 10           |         |         |         |         | I        | EtherCAT MII Receive-0 Data-1                            |
| SD2_D3          | 11           |         |         |         |         | I        | SDFM-2 Channel 3 Data Input                              |
| OUTPUTXBAR5     | 15           |         |         |         |         | O        | Output X-BAR Output 5                                    |
| GPIO29          | 0, 4, 8, 12  |         |         |         |         | I/O      | General-Purpose Input Output 29                          |
| EPWM15_B        | 1            |         |         |         |         | O        | ePWM-15 Output B                                         |
| PMBUSA_SDA      | 2            |         |         |         |         | I/OD     | PMBus-A Open-Drain Bidirectional Data                    |
| UARTE_RX        | 6            |         |         |         |         | I/O      | UART-E Serial Data Receive                               |
| I2CA_SDA        | 7            |         |         |         |         | I/OD     | I2C-A Open-Drain Bidirectional Data                      |
| SENT3           | 9            | A9      | 151     | 121     | 84      | I/O      | SENT Input Pin 3                                         |
| ESC_LATCH0      | 10           |         |         |         |         | I        | EtherCAT LatchSignal Input 0                             |
| ESC_I2C_SDA     | 13           |         |         |         |         | I/OC     | EtherCAT I2C Data                                        |
| ADCC_EXTMUXSEL1 | 14           |         |         |         |         | O        | External ADC selection Mux output                        |
| OUTPUTXBAR6     | 15           |         |         |         |         | O        | Output X-BAR Output 6                                    |

**Table 5-1. Pin Attributes (continued)**

| SIGNAL NAME   | MUX POSITION | 256 ZEX | 176 PTS | 144 RFS | 100 PZS | PIN TYPE | DESCRIPTION                                 |
|---------------|--------------|---------|---------|---------|---------|----------|---------------------------------------------|
| GPIO30        | 0, 4, 8, 12  |         |         |         |         | I/O      | General-Purpose Input Output 30             |
| EPWM16_A      | 1            |         |         |         |         | O        | ePWM-16 Output A                            |
| EMIF1_CLK     | 2            |         |         |         |         | O        | External memory interface 1 clock           |
| EMIF1_CS4n    | 3            |         |         |         |         | O        | External memory interface 1 chip select 4   |
| MCANC_RX      | 5            |         |         |         |         | I        | CAN/CAN FD-C Receive                        |
| SPID_PICO     | 6            | A10     | 150     | 120     | 83      | I/O      | SPI-D Peripheral In, Controller Out (PICO)  |
| EMIF1_A12     | 7            |         |         |         |         | O        | External memory interface 1 address line 12 |
| ESC_LATCH1    | 10           |         |         |         |         | I        | EtherCAT LatchSignal Input 1                |
| SD2_D4        | 11           |         |         |         |         | I        | SDFM-2 Channel 4 Data Input                 |
| ESC_I2C_SCL   | 13           |         |         |         |         | I/OC     | EtherCAT I2C Clock                          |
| ESC_SYNC1     | 14           |         |         |         |         | O        | EtherCAT SyncSignal Output 1                |
| OUTPUTXBAR7   | 15           |         |         |         |         | O        | Output X-BAR Output 7                       |
| GPIO31        | 0, 4, 8, 12  |         |         |         |         | I/O      | General-Purpose Input Output 31             |
| EPWM16_B      | 1            |         |         |         |         | O        | ePWM-16 Output B                            |
| EMIF1_WEn     | 2            |         |         |         |         | O        | External memory interface 1 write enable    |
| EMIF1_RNW     | 3            |         |         |         |         | O        | External memory interface 1 read not write  |
| MCANC_TX      | 5            |         |         |         |         | O        | CAN/CAN FD-C Transmit                       |
| SPID_POCI     | 6            | B10     | 149     |         | 82      | I/O      | SPI-D Peripheral Out, Controller In (POCI)  |
| I2CA_SDA      | 7            |         |         |         |         | I/OD     | I2C-A Open-Drain Bidirectional Data         |
| ESC_RX1_DATA0 | 10           |         |         |         |         | I        | EtherCAT MII Receive-1 Data-0               |
| SD2_C4        | 11           |         |         |         |         | I        | SDFM-2 Channel 4 Clock Input                |
| FSITXD_D0     | 13           |         |         |         |         | O        | FSITX-D Primary Data Output                 |
| OUTPUTXBAR8   | 15           |         |         |         |         | O        | Output X-BAR Output 8                       |
| GPIO32        | 0, 4, 8, 12  |         |         |         |         | I/O      | General-Purpose Input Output 32             |
| EMIF1_CS0n    | 2            |         |         |         |         | O        | External memory interface 1 chip select 0   |
| EMIF1_OEn     | 3            |         |         |         |         | O        | External memory interface 1 output enable   |
| SPIA_PICO     | 5            | G16     | 117     | 96      |         | I/O      | SPI-A Peripheral In, Controller Out (PICO)  |
| SPID_CLK      | 6            |         |         |         |         | I/O      | SPI-D Clock                                 |
| I2CA_SDA      | 7            |         |         |         |         | I/OD     | I2C-A Open-Drain Bidirectional Data         |
| OUTPUTXBAR9   | 9            |         |         |         |         | O        | Output X-BAR Output 9                       |
| ESC_RX0_DATA0 | 10           |         |         |         |         | I        | EtherCAT MII Receive-0 Data-0               |
| GPIO33        | 0, 4, 8, 12  |         |         |         |         | I/O      | General-Purpose Input Output 33             |
| EMIF1_RNW     | 2            |         |         |         |         | O        | External memory interface 1 read not write  |
| EMIF1_BA0     | 3            |         |         |         |         | O        | External memory interface 1 bank address 0  |
| SPIA_POCI     | 5            | P14     |         |         |         | I/O      | SPI-A Peripheral Out, Controller In (POCI)  |
| SPID_PTE      | 6            |         |         |         |         | I/O      | SPI-D Peripheral Transmit Enable (PTE)      |
| I2CA_SCL      | 7            |         |         |         |         | I/OD     | I2C-A Open-Drain Bidirectional Clock        |
| OUTPUTXBAR10  | 9            |         |         |         |         | O        | Output X-BAR Output 10                      |
| ESC_LED_ERR   | 10           |         |         |         |         | O        | EtherCAT Error LED                          |

**Table 5-1. Pin Attributes (continued)**

| SIGNAL NAME   | MUX POSITION | 256 ZEX | 176 PTS | 144 RFS | 100 PZS | PIN TYPE | DESCRIPTION                                        |
|---------------|--------------|---------|---------|---------|---------|----------|----------------------------------------------------|
| GPIO34        | 0, 4, 8, 12  |         |         |         |         | I/O      | General-Purpose Input Output 34                    |
| EPWM18_A      | 1            |         |         |         |         | O        | ePWM-18 Output A                                   |
| EMIF1_CS2n    | 2            |         |         |         |         | O        | External memory interface 1 chip select 2          |
| EMIF1_BA1     | 3            |         |         |         |         | O        | External memory interface 1 bank address 1         |
| SPIA_CLK      | 5            |         |         |         |         | I/O      | SPI-A Clock                                        |
| UARTF_TX      | 6            | D1      | 9       | 7       |         | I/O      | UART-F Serial Data Transmit                        |
| I2CB_SDA      | 7            |         |         |         |         | I/OD     | I2C-B Open-Drain Bidirectional Data                |
| OUTPUTXBAR11  | 9            |         |         |         |         | O        | Output X-BAR Output 11                             |
| ESC_LATCH0    | 10           |         |         |         |         | I        | EtherCAT LatchSignal Input 0                       |
| EPWM3_B       | 13           |         |         |         |         | O        | ePWM-3 Output B                                    |
| ESC_SYNC0     | 14           |         |         |         |         | O        | EtherCAT SyncSignal Output 0                       |
| OUTPUTXBAR1   | 15           |         |         |         |         | O        | Output X-BAR Output 1                              |
| GPIO35        | 0, 4, 8, 12  |         |         |         |         | I/O      | General-Purpose Input Output 35                    |
| EPWM18_B      | 1            |         |         |         |         | O        | ePWM-18 Output B                                   |
| EMIF1_CS3n    | 2            |         |         |         |         | O        | External memory interface 1 chip select 3          |
| EMIF1_A0      | 3            |         |         |         |         | O        | External memory interface 1 address line 0         |
| SPIA_PTE      | 5            | E1      | 10      |         |         | I/O      | SPI-A Peripheral Transmit Enable (PTE)             |
| UARTF_RX      | 6            |         |         |         |         | I/O      | UART-F Serial Data Receive                         |
| I2CB_SCL      | 7            |         |         |         |         | I/OD     | I2C-B Open-Drain Bidirectional Clock               |
| OUTPUTXBAR12  | 9            |         |         |         |         | O        | Output X-BAR Output 12                             |
| ESC_LATCH1    | 10           |         |         |         |         | I        | EtherCAT LatchSignal Input 1                       |
| ESC_SYNC1     | 14           |         |         |         |         | O        | EtherCAT SyncSignal Output 1                       |
| GPIO36        | 0, 4, 8, 12  |         |         |         |         | I/O      | General-Purpose Input Output 36                    |
| EMIF1_WAIT    | 2            |         |         |         |         | I        | External memory interface 1 Asynchronous SRAM WAIT |
| EMIF1_A1      | 3            | N14     |         |         |         | O        | External memory interface 1 address line 1         |
| UARTC_TX      | 5            |         |         |         |         | I/O      | UART-C Serial Data Transmit                        |
| MCANC_RX      | 6            |         |         |         |         | I        | CAN/CAN FD-C Receive                               |
| OUTPUTXBAR13  | 9            |         |         |         |         | O        | Output X-BAR Output 13                             |
| SD1_D1        | 11           |         |         |         |         | I        | SDFM-1 Channel 1 Data Input                        |
| EMIF1_WEn     | 14           |         |         |         |         | O        | External memory interface 1 write enable           |
| GPIO37        | 0, 4, 8, 12  |         |         |         |         | I/O      | General-Purpose Input Output 37                    |
| EPWM18_A      | 1            |         |         |         |         | O        | ePWM-18 Output A                                   |
| EMIF1_OEn     | 2            |         |         |         |         | O        | External memory interface 1 output enable          |
| EMIF1_A2      | 3            |         |         |         |         | O        | External memory interface 1 address line 2         |
| UARTC_RX      | 5            |         |         |         |         | I/O      | UART-C Serial Data Receive                         |
| MCANC_TX      | 6            | R16     | 85      |         |         | O        | CAN/CAN FD-C Transmit                              |
| OUTPUTXBAR14  | 9            |         |         |         |         | O        | Output X-BAR Output 14                             |
| ESC_RX1_DATA1 | 10           |         |         |         |         | I        | EtherCAT MII Receive-1 Data-1                      |
| SD1_D2        | 11           |         |         |         |         | I        | SDFM-1 Channel 2 Data Input                        |
| EMIF1_D24     | 14           |         |         |         |         | I/O      | External memory interface 1 data line 24           |
| OUTPUTXBAR2   | 15           |         |         |         |         | O        | Output X-BAR Output 2                              |

**Table 5-1. Pin Attributes (continued)**

| SIGNAL NAME   | MUX POSITION | 256 ZEX | 176 PTS | 144 RFS | 100 PZS | PIN TYPE | DESCRIPTION                                |
|---------------|--------------|---------|---------|---------|---------|----------|--------------------------------------------|
| GPIO38        | 0, 4, 8, 12  |         |         |         |         | I/O      | General-Purpose Input Output 38            |
| EPWM18_B      | 1            |         |         |         |         | O        | ePWM-18 Output B                           |
| EMIF1_A0      | 2            |         |         |         |         | O        | External memory interface 1 address line 0 |
| EMIF1_A3      | 3            |         |         |         |         | O        | External memory interface 1 address line 3 |
| UARTA_TX      | 5            |         |         |         |         | I/O      | UART-A Serial Data Transmit                |
| SPIE_PICO     | 6            | E14     | 125     | 104     | 72      | I/O      | SPI-E Peripheral In, Controller Out (PICO) |
| OUTPUTXBAR15  | 9            |         |         |         |         | O        | Output X-BAR Output 15                     |
| ESC_RX0_DATA1 | 10           |         |         |         |         | I        | EtherCAT MII Receive-0 Data-1              |
| SD1_D3        | 11           |         |         |         |         | I        | SDFM-1 Channel 3 Data Input                |
| FSITXD_D1     | 13           |         |         |         |         | O        | FSITX-D Optional Additional Data Output    |
| EMIF1_CS2n    | 14           |         |         |         |         | O        | External memory interface 1 chip select 2  |
| GPIO39        | 0, 4, 8, 12  |         |         |         |         | I/O      | General-Purpose Input Output 39            |
| EMIF1_A1      | 2            |         |         |         |         | O        | External memory interface 1 address line 1 |
| EMIF1_A4      | 3            |         |         |         |         | O        | External memory interface 1 address line 4 |
| UARTA_RX      | 5            |         |         |         |         | I/O      | UART-A Serial Data Receive                 |
| OUTPUTXBAR16  | 9            | P15     | 86      |         |         | O        | Output X-BAR Output 16                     |
| ESC_MDIO_DATA | 10           |         |         |         |         | I/O      | EtherCAT MDIO Data                         |
| SD1_D4        | 11           |         |         |         |         | I        | SDFM-1 Channel 4 Data Input                |
| FSIRXD_CLK    | 13           |         |         |         |         | I        | FSIRX-D Input Clock                        |
| ESC_LED_RUN   | 15           |         |         |         |         | O        | EtherCAT Run LED                           |
| GPIO40        | 0, 4, 8, 12  |         |         |         |         | I/O      | General-Purpose Input Output 40            |
| EPWM13_A      | 1            |         |         |         |         | O        | ePWM-13 Output A                           |
| EMIF1_A2      | 2            |         |         |         |         | O        | External memory interface 1 address line 2 |
| MCANB_RX      | 5            |         |         |         |         | I        | CAN/CAN FD-B Receive                       |
| I2CB_SDA      | 6            | P16     | 87      |         |         | I/OD     | I2C-B Open-Drain Bidirectional Data        |
| OUTPUTXBAR9   | 9            |         |         |         |         | O        | Output X-BAR Output 9                      |
| ESC_GPO2      | 10           |         |         |         |         | O        | EtherCAT General-Purpose Output 2          |
| SD4_C3        | 11           |         |         |         |         | I        | SDFM-4 Channel 3 Clock Input               |
| EPWM1_A       | 14           |         |         |         |         | O        | ePWM-1 Output A                            |
| SD2_C1        | 15           |         |         |         |         | I        | SDFM-2 Channel 1 Clock Input               |
| GPIO41        | 0, 4, 8, 12  |         |         |         |         | I/O      | General-Purpose Input Output 41            |
| EPWM13_B      | 1            |         |         |         |         | O        | ePWM-13 Output B                           |
| EMIF1_A3      | 2            |         |         |         |         | O        | External memory interface 1 address line 3 |
| EPWM18_A      | 3            |         |         |         |         | O        | ePWM-18 Output A                           |
| MCANB_TX      | 5            |         |         |         |         | O        | CAN/CAN FD-B Transmit                      |
| SPIE_POCI     | 6            |         |         |         |         | I/O      | SPI-E Peripheral Out, Controller In (POCI) |
| I2CB_SCL      | 7            | N15     | 89      | 73      | 50      | I/OD     | I2C-B Open-Drain Bidirectional Clock       |
| OUTPUTXBAR10  | 9            |         |         |         |         | O        | Output X-BAR Output 10                     |
| ESC_RX0_DATA2 | 10           |         |         |         |         | I        | EtherCAT MII Receive-0 Data-2              |
| SD4_D3        | 11           |         |         |         |         | I        | SDFM-4 Channel 3 Data Input                |
| FSIRXD_CLK    | 13           |         |         |         |         | I        | FSIRX-D Input Clock                        |
| EPWM1_B       | 14           |         |         |         |         | O        | ePWM-1 Output B                            |
| SD2_D1        | 15           |         |         |         |         | I        | SDFM-2 Channel 1 Data Input                |

**Table 5-1. Pin Attributes (continued)**

| SIGNAL NAME     | MUX POSITION | 256 ZEX | 176 PTS | 144 RFS | 100 PZS | PIN TYPE | DESCRIPTION                                 |
|-----------------|--------------|---------|---------|---------|---------|----------|---------------------------------------------|
| GPIO42          | 0, 4, 8, 12  |         |         |         |         | I/O      | General-Purpose Input Output 42             |
| EPWM14_A        | 1            |         |         |         |         | O        | ePWM-14 Output A                            |
| EMIF1_A2        | 2            |         |         |         |         | O        | External memory interface 1 address line 2  |
| EMIF1_A13       | 3            |         |         |         |         | O        | External memory interface 1 address line 13 |
| UARTA_TX        | 5            |         |         |         |         | I/O      | UART-A Serial Data Transmit                 |
| SPIE_CLK        | 6            | C16     | 130     | 107     | 74      | I/O      | SPI-E Clock                                 |
| I2CA_SDA        | 7            |         |         |         |         | I/OD     | I2C-A Open-Drain Bidirectional Data         |
| OUTPUTXBAR13    | 9            |         |         |         |         | O        | Output X-BAR Output 13                      |
| SD4_C3          | 10           |         |         |         |         | I        | SDFM-4 Channel 3 Clock Input                |
| SD4_C4          | 11           |         |         |         |         | I        | SDFM-4 Channel 4 Clock Input                |
| FSIRXD_D0       | 13           |         |         |         |         | I        | FSIRX-D Primary Data Input                  |
| ADCE_EXTMUXSEL2 | 14           |         |         |         |         | O        | External ADC selection Mux output           |
| GPIO43          | 0, 4, 8, 12  |         |         |         |         | I/O      | General-Purpose Input Output 43             |
| EPWM14_B        | 1            |         |         |         |         | O        | ePWM-14 Output B                            |
| EMIF1_A4        | 2            |         |         |         |         | O        | External memory interface 1 address line 4  |
| EMIF1_D13       | 3            |         |         |         |         | I/O      | External memory interface 1 data line 13    |
| UARTA_RX        | 5            |         |         |         |         | I/O      | UART-A Serial Data Receive                  |
| SPIE_PTE        | 6            | C15     | 131     | 108     | 75      | I/O      | SPI-E Peripheral Transmit Enable (PTE)      |
| I2CA_SCL        | 7            |         |         |         |         | I/OD     | I2C-A Open-Drain Bidirectional Clock        |
| OUTPUTXBAR14    | 9            |         |         |         |         | O        | Output X-BAR Output 14                      |
| SD4_D4          | 11           |         |         |         |         | I        | SDFM-4 Channel 4 Data Input                 |
| FSIRXD_D1       | 13           |         |         |         |         | I        | FSIRX-D Optional Additional Data Input      |
| ADCE_EXTMUXSEL3 | 14           |         |         |         |         | O        | External ADC selection Mux output           |
| GPIO44          | 0, 4, 8, 12  |         |         |         |         | I/O      | General-Purpose Input Output 44             |
| EMIF1_A4        | 2            |         |         |         |         | O        | External memory interface 1 address line 4  |
| SPID_POCI       | 5            |         |         |         |         | I/O      | SPI-D Peripheral Out, Controller In (POCI)  |
| MCANB_RX        | 6            |         |         |         |         | I        | CAN/CAN FD-B Receive                        |
| UARTB_TX        | 7            | G14     | 114     |         |         | I/O      | UART-B Serial Data Transmit                 |
| OUTPUTXBAR14    | 9            |         |         |         |         | O        | Output X-BAR Output 14                      |
| ESC_TX1_CLK     | 10           |         |         |         |         | I        | EtherCAT MII Transmit-1 Clock               |
| SD3_C4          | 11           |         |         |         |         | I        | SDFM-3 Channel 4 Clock Input                |
| FSIRXD_CLK      | 13           |         |         |         |         | I        | FSIRX-D Input Clock                         |
| GPIO45          | 0, 4, 8, 12  |         |         |         |         | I/O      | General-Purpose Input Output 45             |
| EMIF1_A5        | 2            |         |         |         |         | O        | External memory interface 1 address line 5  |
| SPID_PTE        | 5            |         |         |         |         | I/O      | SPI-D Peripheral Transmit Enable (PTE)      |
| MCANB_TX        | 6            |         |         |         |         | O        | CAN/CAN FD-B Transmit                       |
| UARTB_RX        | 7            | G15     | 116     |         |         | I/O      | UART-B Serial Data Receive                  |
| OUTPUTXBAR15    | 9            |         |         |         |         | O        | Output X-BAR Output 15                      |
| ESC_TX1_ENA     | 10           |         |         |         |         | I/O      | EtherCAT MII Transmit-1 Enable              |
| SD3_D4          | 11           |         |         |         |         | I        | SDFM-3 Channel 4 Data Input                 |
| FSIRXD_D0       | 13           |         |         |         |         | I        | FSIRX-D Primary Data Input                  |
| GPIO46          | 0, 4, 8, 12  |         |         |         |         | I/O      | General-Purpose Input Output 46             |
| EPWM4_A         | 1            |         |         |         |         | O        | ePWM-4 Output A                             |
| EMIF1_A6        | 2            |         |         |         |         | O        | External memory interface 1 address line 6  |
| EPWM14_A        | 3            |         |         |         |         | O        | ePWM-14 Output A                            |
| UARTC_TX        | 5            |         |         |         |         | I/O      | UART-C Serial Data Transmit                 |
| MCANE_TX        | 7            | D14     | 128     |         |         | O        | CAN/CAN FD-E Transmit                       |
| ESC_MDIO_CLK    | 10           |         |         |         |         | O        | EtherCAT MDIO Clock                         |
| SD3_C4          | 11           |         |         |         |         | I        | SDFM-3 Channel 4 Clock Input                |

**Table 5-1. Pin Attributes (continued)**

| SIGNAL NAME   | MUX POSITION | 256 ZEX | 176 PTS | 144 RFS | 100 PZS | PIN TYPE | DESCRIPTION                                 |
|---------------|--------------|---------|---------|---------|---------|----------|---------------------------------------------|
| GPIO47        | 0, 4, 8, 12  |         |         |         |         | I/O      | General-Purpose Input Output 47             |
| EPWM4_B       | 1            |         |         |         |         | O        | ePWM-4 Output B                             |
| EMIF1_A7      | 2            |         |         |         |         | O        | External memory interface 1 address line 7  |
| EPWM14_B      | 3            | D15     | 129     |         |         | O        | ePWM-14 Output B                            |
| UARTC_RX      | 5            |         |         |         |         | I/O      | UART-C Serial Data Receive                  |
| MCANF_RX      | 7            |         |         |         |         | I        | CAN/CAN FD-E Receive                        |
| ESC_MDIO_DATA | 10           |         |         |         |         | I/O      | EtherCAT MDIO Data                          |
| SD4_C3        | 11           |         |         |         |         | I        | SDFM-4 Channel 3 Clock Input                |
| GPIO48        | 0, 4, 8, 12  |         |         |         |         | I/O      | General-Purpose Input Output 48             |
| EMIF1_A8      | 2            |         |         |         |         | O        | External memory interface 1 address line 8  |
| UARTD_TX      | 5            |         |         |         |         | I/O      | UART-D Serial Data Transmit                 |
| OUTPUTXBAR3   | 9            | N16     | 90      |         |         | O        | Output X-BAR Output 3                       |
| ESC_PHY_CLK   | 10           |         |         |         |         | O        | EtherCAT PHY Clock                          |
| SD1_D1        | 11           |         |         |         |         | I        | SDFM-1 Channel 1 Data Input                 |
| EPWM3_A       | 13           |         |         |         |         | O        | ePWM-3 Output A                             |
| SD2_C2        | 15           |         |         |         |         | I        | SDFM-2 Channel 2 Clock Input                |
| GPIO49        | 0, 4, 8, 12  |         |         |         |         | I/O      | General-Purpose Input Output 49             |
| EMIF1_A9      | 2            |         |         |         |         | O        | External memory interface 1 address line 9  |
| EMIF1_A5      | 3            |         |         |         |         | O        | External memory interface 1 address line 5  |
| UARTD_RX      | 5            |         |         |         |         | I/O      | UART-D Serial Data Receive                  |
| OUTPUTXBAR4   | 9            | M15     | 92      | 75      |         | O        | Output X-BAR Output 4                       |
| ESC_TX1_DATA2 | 10           |         |         |         |         | O        | EtherCAT MII Transmit-1 Data-2              |
| SD1_C1        | 11           |         |         |         |         | I        | SDFM-1 Channel 1 Clock Input                |
| FSITXA_D0     | 13           |         |         |         |         | O        | FSITX-A Primary Data Output                 |
| SD2_D1        | 15           |         |         |         |         | I        | SDFM-2 Channel 1 Data Input                 |
| GPIO50        | 0, 4, 8, 12  |         |         |         |         | I/O      | General-Purpose Input Output 50             |
| EPWM15_A      | 1            |         |         |         |         | O        | ePWM-15 Output A                            |
| EMIF1_A10     | 2            |         |         |         |         | O        | External memory interface 1 address line 10 |
| EMIF1_A6      | 3            |         |         |         |         | O        | External memory interface 1 address line 6  |
| SPIC_PICO     | 6            |         |         |         |         | I/O      | SPI-C Peripheral In, Controller Out (PICO)  |
| MCANF_TX      | 7            | M14     | 93      | 76      |         | O        | CAN/CAN FD-F Transmit                       |
| ESC_TX1_DATA1 | 10           |         |         |         |         | O        | EtherCAT MII Transmit-1 Data-1              |
| SD1_D2        | 11           |         |         |         |         | I        | SDFM-1 Channel 2 Data Input                 |
| FSITXA_D1     | 13           |         |         |         |         | O        | FSITX-A Optional Additional Data Output     |
| ESC_GPI25     | 14           |         |         |         |         | I        | EtherCAT General-Purpose Input 25           |
| SD2_D2        | 15           |         |         |         |         | I        | SDFM-2 Channel 2 Data Input                 |
| GPIO51        | 0, 4, 8, 12  |         |         |         |         | I/O      | General-Purpose Input Output 51             |
| EPWM15_B      | 1            |         |         |         |         | O        | ePWM-15 Output B                            |
| EMIF1_A11     | 2            |         |         |         |         | O        | External memory interface 1 address line 11 |
| EMIF1_A7      | 3            |         |         |         |         | O        | External memory interface 1 address line 7  |
| SPIC_POCI     | 6            |         |         |         |         | I/O      | SPI-C Peripheral Out, Controller In (POCI)  |
| MCANF_RX      | 7            | M13     | 94      | 77      |         | I        | CAN/CAN FD-F Receive                        |
| ESC_TX1_CLK   | 10           |         |         |         |         | I        | EtherCAT MII Transmit-1 Clock               |
| SD1_C2        | 11           |         |         |         |         | I        | SDFM-1 Channel 2 Clock Input                |
| FSITXA_CLK    | 13           |         |         |         |         | O        | FSITX-A Output Clock                        |
| ESC_GPI26     | 14           |         |         |         |         | I        | EtherCAT General-Purpose Input 26           |
| SD2_D3        | 15           |         |         |         |         | I        | SDFM-2 Channel 3 Data Input                 |

**Table 5-1. Pin Attributes (continued)**

| SIGNAL NAME         | MUX POSITION | 256 ZEX | 176 PTS | 144 RFS | 100 PZS | PIN TYPE | DESCRIPTION                                        |
|---------------------|--------------|---------|---------|---------|---------|----------|----------------------------------------------------|
| GPIO52              | 0, 4, 8, 12  |         |         |         |         | I/O      | General-Purpose Input Output 52                    |
| EPWM16_A            | 1            |         |         |         |         | O        | ePWM-16 Output A                                   |
| EMIF1_A12           | 2            |         |         |         |         | O        | External memory interface 1 address line 12        |
| EMIF1_A8            | 3            |         |         |         |         | O        | External memory interface 1 address line 8         |
| UARTD_TX            | 5            | L14     | 95      | 78      |         | I/O      | UART-D Serial Data Transmit                        |
| SPIC_CLK            | 6            |         |         |         |         | I/O      | SPI-C Clock                                        |
| ESC_TX1_ENA         | 10           |         |         |         |         | I/O      | EtherCAT MII Transmit-1 Enable                     |
| SD1_D3              | 11           |         |         |         |         | I        | SDFM-1 Channel 3 Data Input                        |
| FSIRXA_D0           | 13           |         |         |         |         | I        | FSIRX-A Primary Data Input                         |
| SD2_D4              | 15           |         |         |         |         | I        | SDFM-2 Channel 4 Data Input                        |
| GPIO53              | 0, 4, 8, 12  |         |         |         |         | I/O      | General-Purpose Input Output 53                    |
| EPWM16_B            | 1            |         |         |         |         | O        | ePWM-16 Output B                                   |
| EMIF1_D31           | 2            |         |         |         |         | I/O      | External memory interface 1 data line 31           |
| EMIF1_A9            | 3            |         |         |         |         | O        | External memory interface 1 address line 9         |
| UARTD_RX            | 5            |         |         |         |         | I/O      | UART-D Serial Data Receive                         |
| SPIC_PTE            | 6            | L15     | 96      | 79      |         | I/O      | SPI-C Peripheral Transmit Enable (PTE)             |
| ESC_PHY0_LINKSTATUS | 10           |         |         |         |         | I        | EtherCAT PHY-0 Link Status                         |
| SD1_C3              | 11           |         |         |         |         | I        | SDFM-1 Channel 3 Clock Input                       |
| FSIRXA_D1           | 13           |         |         |         |         | I        | FSIRX-A Optional Additional Data Input             |
| ESC_GPI28           | 14           |         |         |         |         | I        | EtherCAT General-Purpose Input 28                  |
| SD1_C1              | 15           |         |         |         |         | I        | SDFM-1 Channel 1 Clock Input                       |
| GPIO54              | 0, 4, 8, 12  |         |         |         |         | I/O      | General-Purpose Input Output 54                    |
| EMIF1_D30           | 2            |         |         |         |         | I/O      | External memory interface 1 data line 30           |
| EMIF1_A10           | 3            |         |         |         |         | O        | External memory interface 1 address line 10        |
| SPIA_PICO           | 5            |         |         |         |         | I/O      | SPI-A Peripheral In, Controller Out (PICO)         |
| ESC_PHY_CLK         | 10           | L16     | 97      | 80      |         | O        | EtherCAT PHY Clock                                 |
| SD1_D4              | 11           |         |         |         |         | I        | SDFM-1 Channel 4 Data Input                        |
| FSIRXA_CLK          | 13           |         |         |         |         | I        | FSIRX-A Input Clock                                |
| ESC_GPI29           | 14           |         |         |         |         | I        | EtherCAT General-Purpose Input 29                  |
| SD1_C2              | 15           |         |         |         |         | I        | SDFM-1 Channel 2 Clock Input                       |
| GPIO55              | 0, 4, 8, 12  |         |         |         |         | I/O      | General-Purpose Input Output 55                    |
| EPWM16_B            | 1            |         |         |         |         | O        | ePWM-16 Output B                                   |
| EMIF1_D29           | 2            |         |         |         |         | I/O      | External memory interface 1 data line 29           |
| EMIF1_D0            | 3            |         |         |         |         | I/O      | External memory interface 1 data line 0            |
| SPIA_POCI           | 5            |         |         |         |         | I/O      | SPI-A Peripheral Out, Controller In (POCI)         |
| EMIF1_WAIT          | 6            | K13     | 99      |         |         | I        | External memory interface 1 Asynchronous SRAM WAIT |
| ESC_PHY0_LINKSTATUS | 10           |         |         |         |         | I        | EtherCAT PHY-0 Link Status                         |
| SD1_C4              | 11           |         |         |         |         | I        | SDFM-1 Channel 4 Clock Input                       |
| FSITXB_D0           | 13           |         |         |         |         | O        | FSITX-B Primary Data Output                        |
| SD1_C3              | 15           |         |         |         |         | I        | SDFM-1 Channel 3 Clock Input                       |

**Table 5-1. Pin Attributes (continued)**

| SIGNAL NAME          | MUX POSITION | 256 ZEX | 176 PTS | 144 RFS | 100 PZS | PIN TYPE | DESCRIPTION                                |
|----------------------|--------------|---------|---------|---------|---------|----------|--------------------------------------------|
| GPIO56               | 0, 4, 8, 12  |         |         |         |         | I/O      | General-Purpose Input Output 56            |
| EPWM17_A             | 1            |         |         |         |         | O        | ePWM-17 Output A                           |
| EMIF1_D28            | 2            |         |         |         |         | I/O      | External memory interface 1 data line 28   |
| EMIF1_D1             | 3            |         |         |         |         | I/O      | External memory interface 1 data line 1    |
| SPIA_CLK             | 5            |         |         |         |         | I/O      | SPI-A Clock                                |
| MCAND_TX             | 6            | K14     | 100     | 82      |         | O        | CAN/CAN FD-D Transmit                      |
| I2CA_SDA             | 7            |         |         |         |         | I/OD     | I2C-A Open-Drain Bidirectional Data        |
| ESC_PDI_UC_IRQ       | 10           |         |         |         |         | O        | EtherCAT PDI IRQ Interrupt Line            |
| SD2_D1               | 11           |         |         |         |         | I        | SDFM-2 Channel 1 Data Input                |
| FSITXB_CLK           | 13           |         |         |         |         | O        | FSITX-B Output Clock                       |
| ESC_GPI30            | 14           |         |         |         |         | I        | EtherCAT General-Purpose Input 30          |
| SD1_C4               | 15           |         |         |         |         | I        | SDFM-1 Channel 4 Clock Input               |
| GPIO57               | 0, 4, 8, 12  |         |         |         |         | I/O      | General-Purpose Input Output 57            |
| EPWM17_B             | 1            |         |         |         |         | O        | ePWM-17 Output B                           |
| EMIF1_D27            | 2            |         |         |         |         | I/O      | External memory interface 1 data line 27   |
| EMIF1_D2             | 3            |         |         |         |         | I/O      | External memory interface 1 data line 2    |
| SPIA_PTE             | 5            |         |         |         |         | I/O      | SPI-A Peripheral Transmit Enable (PTE)     |
| MCAND_RX             | 6            | K15     | 102     | 84      |         | I        | CAN/CAN FD-D Receive                       |
| I2CA_SCL             | 7            |         |         |         |         | I/OD     | I2C-A Open-Drain Bidirectional Clock       |
| ESC_MDIO_DATA        | 10           |         |         |         |         | I/O      | EtherCAT MDIO Data                         |
| SD2_C1               | 11           |         |         |         |         | I        | SDFM-2 Channel 1 Clock Input               |
| FSITXB_D1            | 13           |         |         |         |         | O        | FSITX-B Optional Additional Data Output    |
| ESC_GPI31            | 14           |         |         |         |         | I        | EtherCAT General-Purpose Input 31          |
| SD3_D3               | 15           |         |         |         |         | I        | SDFM-3 Channel 3 Data Input                |
| GPIO58               | 0, 4, 8, 12  |         |         |         |         | I/O      | General-Purpose Input Output 58            |
| EPWM13_A             | 1            |         |         |         |         | O        | ePWM-13 Output A                           |
| EMIF1_D26            | 2            |         |         |         |         | I/O      | External memory interface 1 data line 26   |
| EPWM8_A              | 3            |         |         |         |         | O        | ePWM-8 Output A                            |
| SPIA_PICO            | 5            |         |         |         |         | I/O      | SPI-A Peripheral In, Controller Out (PICO) |
| MCANC_RX             | 7            | K16     | 103     | 85      | 53      | I        | CAN/CAN FD-C Receive                       |
| SENT1                | 9            |         |         |         |         | I/O      | SENT Input Pin 1                           |
| ESC_LED_LINK0_ACTIVE | 10           |         |         |         |         | O        | EtherCAT Link-0 Active                     |
| SD2_D2               | 11           |         |         |         |         | I        | SDFM-2 Channel 2 Data Input                |
| FSIRXB_D0            | 13           |         |         |         |         | I        | FSIRX-B Primary Data Input                 |
| ESC_TX0_DATA3        | 14           |         |         |         |         | O        | EtherCAT MII Transmit-0 Data-3             |
| SD2_C2               | 15           |         |         |         |         | I        | SDFM-2 Channel 2 Clock Input               |
| GPIO59               | 0, 4, 8, 12  |         |         |         |         | I/O      | General-Purpose Input Output 59            |
| EPWM5_A              | 1            |         |         |         |         | O        | ePWM-5 Output A                            |
| EMIF1_D25            | 2            |         |         |         |         | I/O      | External memory interface 1 data line 25   |
| EPWM8_B              | 3            |         |         |         |         | O        | ePWM-8 Output B                            |
| SPIA_POCI            | 5            |         |         |         |         | I/O      | SPI-A Peripheral Out, Controller In (POCI) |
| MCANC_TX             | 7            | J16     | 104     | 86      | 54      | O        | CAN/CAN FD-C Transmit                      |
| SENT2                | 9            |         |         |         |         | I/O      | SENT Input Pin 2                           |
| ESC_LED_LINK1_ACTIVE | 10           |         |         |         |         | O        | EtherCAT Link-1 Active                     |
| SD2_C2               | 11           |         |         |         |         | I        | SDFM-2 Channel 2 Clock Input               |
| FSIRXB_D1            | 13           |         |         |         |         | I        | FSIRX-B Optional Additional Data Input     |
| ESC_TX0_ENA          | 14           |         |         |         |         | I/O      | EtherCAT MII Transmit-0 Enable             |
| SD2_C3               | 15           |         |         |         |         | I        | SDFM-2 Channel 3 Clock Input               |

**Table 5-1. Pin Attributes (continued)**

| SIGNAL NAME       | MUX POSITION | 256 ZEX | 176 PTS | 144 RFS | 100 PZS | PIN TYPE | DESCRIPTION                                |
|-------------------|--------------|---------|---------|---------|---------|----------|--------------------------------------------|
| GPIO60            | 0, 4, 8, 12  |         |         |         |         | I/O      | General-Purpose Input Output 60            |
| EPWM3_B           | 1            |         |         |         |         | O        | ePWM-3 Output B                            |
| EMIF1_D24         | 2            |         |         |         |         | I/O      | External memory interface 1 data line 24   |
| EMIF1_D0          | 3            |         |         |         |         | I/O      | External memory interface 1 data line 0    |
| SPIA_CLK          | 5            |         |         |         |         | I/O      | SPI-A Clock                                |
| OUTPUTXBAR3       | 6            | J15     | 106     | 88      | 56      | O        | Output X-BAR Output 3                      |
| SENT3             | 9            |         |         |         |         | I/O      | SENT Input Pin 3                           |
| ESC_LED_ERR       | 10           |         |         |         |         | O        | EtherCAT Error LED                         |
| ESC_LATCH0        | 11           |         |         |         |         | I        | EtherCAT LatchSignal Input 0               |
| FSIRXB_CLK        | 13           |         |         |         |         | I        | FSIRX-B Input Clock                        |
| SD2_C4            | 15           |         |         |         |         | I        | SDFM-2 Channel 4 Clock Input               |
| GPIO61            | 0, 4, 8, 12  |         |         |         |         | I/O      | General-Purpose Input Output 61            |
| EPWM17_B          | 1            |         |         |         |         | O        | ePWM-17 Output B                           |
| EMIF1_D23         | 2            |         |         |         |         | I/O      | External memory interface 1 data line 23   |
| EMIF1_D6          | 3            |         |         |         |         | I/O      | External memory interface 1 data line 6    |
| SPIA_PTE          | 5            |         |         |         |         | I/O      | SPI-A Peripheral Transmit Enable (PTE)     |
| MCANC_RX          | 7            | J13     | 108     | 89      | 57      | I        | CAN/CAN FD-C Receive                       |
| OUTPUTXBAR4       | 9            |         |         |         |         | O        | Output X-BAR Output 4                      |
| ESC_LED_RUN       | 10           |         |         |         |         | O        | EtherCAT Run LED                           |
| SD2_C3            | 11           |         |         |         |         | I        | SDFM-2 Channel 3 Clock Input               |
| FSITXD_CLK        | 13           |         |         |         |         | O        | FSITX-D Output Clock                       |
| ESC_LATCH1        | 14           |         |         |         |         | I        | EtherCAT LatchSignal Input 1               |
| GPIO62            | 0, 4, 8, 12  |         |         |         |         | I/O      | General-Purpose Input Output 62            |
| EPWM17_A          | 1            |         |         |         |         | O        | ePWM-17 Output A                           |
| EMIF1_D22         | 2            |         |         |         |         | I/O      | External memory interface 1 data line 22   |
| EMIF1_D7          | 3            |         |         |         |         | I/O      | External memory interface 1 data line 7    |
| MCANC_RX          | 6            |         |         |         |         | I        | CAN/CAN FD-C Receive                       |
| MCANC_TX          | 7            | H13     | 109     | 90      | 58      | O        | CAN/CAN FD-C Transmit                      |
| SENT4             | 9            |         |         |         |         | I/O      | SENT Input Pin 4                           |
| ESC_LED_STATE_RUN | 10           |         |         |         |         | O        | EtherCAT LED State Run                     |
| SD2_D4            | 11           |         |         |         |         | I        | SDFM-2 Channel 4 Data Input                |
| FSITXD_D0         | 13           |         |         |         |         | O        | FSITX-D Primary Data Output                |
| ESC_MDIO_CLK      | 14           |         |         |         |         | O        | EtherCAT MDIO Clock                        |
| GPIO63            | 0, 4, 8, 12  |         |         |         |         | I/O      | General-Purpose Input Output 63            |
| EPWM9_A           | 1            |         |         |         |         | O        | ePWM-9 Output A                            |
| EMIF1_D21         | 2            |         |         |         |         | I/O      | External memory interface 1 data line 21   |
| EMIF1_RNW         | 3            |         |         |         |         | O        | External memory interface 1 read not write |
| SPIB_PICO         | 5            |         |         |         |         | I/O      | SPI-B Peripheral In, Controller Out (PICO) |
| MCANC_TX          | 6            |         |         |         |         | O        | CAN/CAN FD-C Transmit                      |
| SENT5             | 9            | H14     | 110     | 91      | 59      | I/O      | SENT Input Pin 5                           |
| ESC_RX1_DATA0     | 10           |         |         |         |         | I        | EtherCAT MII Receive-1 Data-0              |
| SD1_D1            | 11           |         |         |         |         | I        | SDFM-1 Channel 1 Data Input                |
| FSITXD_D1         | 13           |         |         |         |         | O        | FSITX-D Optional Additional Data Output    |
| ADCD_EXTMUXSELO   | 14           |         |         |         |         | O        | External ADC selection Mux output          |
| SD2_C4            | 15           |         |         |         |         | I        | SDFM-2 Channel 4 Clock Input               |

**Table 5-1. Pin Attributes (continued)**

| SIGNAL NAME     | MUX POSITION | 256 ZEX | 176 PTS | 144 RFS | 100 PZS | PIN TYPE | DESCRIPTION                                        |
|-----------------|--------------|---------|---------|---------|---------|----------|----------------------------------------------------|
| GPI064          | 0, 4, 8, 12  |         |         |         |         | I/O      | General-Purpose Input Output 64                    |
| EPWM9_B         | 1            |         |         |         |         | O        | ePWM-9 Output B                                    |
| EMIF1_D20       | 2            |         |         |         |         | I/O      | External memory interface 1 data line 20           |
| EMIF1_WAIT      | 3            |         |         |         |         | I        | External memory interface 1 Asynchronous SRAM WAIT |
| SPIB_POCI       | 5            |         |         |         |         | I/O      | SPI-B Peripheral Out, Controller In (POCI)         |
| MCANA_TX        | 6            | H15     | 111     | 92      | 60      | O        | CAN/CAN FD-A Transmit                              |
| UARTF_TX        | 7            |         |         |         |         | I/O      | UART-F Serial Data Transmit                        |
| SENT6           | 9            |         |         |         |         | I/O      | SENT Input Pin 6                                   |
| ESC_RX1_DATA1   | 10           |         |         |         |         | I        | EtherCAT MII Receive-1 Data-1                      |
| SD1_C1          | 11           |         |         |         |         | I        | SDFM-1 Channel 1 Clock Input                       |
| FSITXD_CLK      | 13           |         |         |         |         | O        | FSITX-D Output Clock                               |
| ADCD_EXTMUXSEL1 | 14           |         |         |         |         | O        | External ADC selection Mux output                  |
| GPI065          | 0, 4, 8, 12  |         |         |         |         | I/O      | General-Purpose Input Output 65                    |
| EPWM10_A        | 1            |         |         |         |         | O        | ePWM-10 Output A                                   |
| EMIF1_D19       | 2            |         |         |         |         | I/O      | External memory interface 1 data line 19           |
| EMIF1_WEn       | 3            |         |         |         |         | O        | External memory interface 1 write enable           |
| SPIB_CLK        | 5            |         |         |         |         | I/O      | SPI-B Clock                                        |
| MCANA_RX        | 6            | H16     | 112     | 93      | 61      | I        | CAN/CAN FD-A Receive                               |
| UARTF_RX        | 7            |         |         |         |         | I/O      | UART-F Serial Data Receive                         |
| ESC_RX1_DATA2   | 10           |         |         |         |         | I        | EtherCAT MII Receive-1 Data-2                      |
| SD1_D2          | 11           |         |         |         |         | I        | SDFM-1 Channel 2 Data Input                        |
| FSITXB_CLK      | 13           |         |         |         |         | O        | FSITX-B Output Clock                               |
| ADCD_EXTMUXSEL2 | 14           |         |         |         |         | O        | External ADC selection Mux output                  |
| ESC_GPI13       | 15           |         |         |         |         | I        | EtherCAT General-Purpose Input 13                  |
| GPI066          | 0, 4, 8, 12  |         |         |         |         | I/O      | General-Purpose Input Output 66                    |
| EPWM10_B        | 1            |         |         |         |         | O        | ePWM-10 Output B                                   |
| EMIF1_D18       | 2            |         |         |         |         | I/O      | External memory interface 1 data line 18           |
| EMIF1_OEn       | 3            |         |         |         |         | O        | External memory interface 1 output enable          |
| SPIB_PTE        | 5            |         |         |         |         | I/O      | SPI-B Peripheral Transmit Enable (PTE)             |
| I2CB_SDA        | 6            | G13     | 113     | 94      | 62      | I/OD     | I2C-B Open-Drain Bidirectional Data                |
| ESC_RX1_DATA3   | 10           |         |         |         |         | I        | EtherCAT MII Receive-1 Data-3                      |
| SD1_C2          | 11           |         |         |         |         | I        | SDFM-1 Channel 2 Clock Input                       |
| FSITXB_D1       | 13           |         |         |         |         | O        | FSITX-B Optional Additional Data Output            |
| ADCD_EXTMUXSEL3 | 14           |         |         |         |         | O        | External ADC selection Mux output                  |
| ESC_GPI14       | 15           |         |         |         |         | I        | EtherCAT General-Purpose Input 14                  |
| GPI067          | 0, 4, 8, 12  |         |         |         |         | I/O      | General-Purpose Input Output 67                    |
| EPWM17_A        | 1            |         |         |         |         | O        | ePWM-17 Output A                                   |
| EMIF1_D17       | 2            |         |         |         |         | I/O      | External memory interface 1 data line 17           |
| LINB_TX         | 5            | B16     | 132     |         |         | O        | LIN-B Transmit                                     |
| MCAND_TX        | 6            |         |         |         |         | O        | CAN/CAN FD-D Transmit                              |
| SD1_D3          | 11           |         |         |         |         | I        | SDFM-1 Channel 3 Data Input                        |
| FSITXB_CLK      | 13           |         |         |         |         | O        | FSITX-B Output Clock                               |

**Table 5-1. Pin Attributes (continued)**

| SIGNAL NAME         | MUX POSITION | 256 ZEX | 176 PTS | 144 RFS | 100 PZS | PIN TYPE | DESCRIPTION                                |
|---------------------|--------------|---------|---------|---------|---------|----------|--------------------------------------------|
| GPIO68              | 0, 4, 8, 12  |         |         |         |         | I/O      | General-Purpose Input Output 68            |
| EPWM17_B            | 1            |         |         |         |         | O        | ePWM-17 Output B                           |
| EMIF1_D16           | 2            |         |         |         |         | I/O      | External memory interface 1 data line 16   |
| EMIF1_D4            | 3            |         |         |         |         | I/O      | External memory interface 1 data line 4    |
| LINB_RX             | 5            |         |         |         |         | I        | LIN-B Receive                              |
| MCAND_RX            | 6            | B15     | 133     | 109     |         | I        | CAN/CAN FD-D Receive                       |
| EMIF1_D13           | 7            |         |         |         |         | I/O      | External memory interface 1 data line 13   |
| ESC_PHY1_LINKSTATUS | 10           |         |         |         |         | I        | EtherCAT PHY-1 Link Status                 |
| SD1_C3              | 11           |         |         |         |         | I        | SDFM-1 Channel 3 Clock Input               |
| FSIRXB_D1           | 13           |         |         |         |         | I        | FSIRX-B Optional Additional Data Input     |
| ESC_GPI15           | 15           |         |         |         |         | I        | EtherCAT General-Purpose Input 15          |
| GPIO69              | 0, 4, 8, 12  |         |         |         |         | I/O      | General-Purpose Input Output 69            |
| EPWM11_A            | 1            |         |         |         |         | O        | ePWM-11 Output A                           |
| EMIF1_D15           | 2            |         |         |         |         | I/O      | External memory interface 1 data line 15   |
| SPIC_PICO           | 5            | A15     | 134     |         |         | I/O      | SPI-C Peripheral In, Controller Out (PICO) |
| I2CB_SCL            | 6            |         |         |         |         | I/OD     | I2C-B Open-Drain Bidirectional Clock       |
| ESC_RX1_CLK         | 10           |         |         |         |         | I        | EtherCAT MII Receive-1 Clock               |
| SD1_D4              | 11           |         |         |         |         | I        | SDFM-1 Channel 4 Data Input                |
| FSITXB_D0           | 13           |         |         |         |         | O        | FSITX-B Primary Data Output                |
| GPIO70              | 0, 4, 8, 12  |         |         |         |         | I/O      | General-Purpose Input Output 70            |
| EPWM11_B            | 1            |         |         |         |         | O        | ePWM-11 Output B                           |
| EMIF1_D14           | 2            |         |         |         |         | I/O      | External memory interface 1 data line 14   |
| SPIC_POCI           | 5            |         |         |         |         | I/O      | SPI-C Peripheral Out, Controller In (POCI) |
| MCANC_RX            | 6            | C14     | 135     | 110     | 76      | I        | CAN/CAN FD-C Receive                       |
| UARTB_TX            | 7            |         |         |         |         | I/O      | UART-B Serial Data Transmit                |
| ESC_RX1_DV          | 10           |         |         |         |         | I        | EtherCAT MII Receive-1 Data Valid          |
| SD1_C4              | 11           |         |         |         |         | I        | SDFM-1 Channel 4 Clock Input               |
| FSIRXB_D0           | 13           |         |         |         |         | I        | FSIRX-B Primary Data Input                 |
| ESC_GPI16           | 15           |         |         |         |         | I        | EtherCAT General-Purpose Input 16          |
| GPIO71              | 0, 4, 8, 12  |         |         |         |         | I/O      | General-Purpose Input Output 71            |
| EPWM12_A            | 1            |         |         |         |         | O        | ePWM-12 Output A                           |
| EPWM11_A            | 2            |         |         |         |         | O        | ePWM-11 Output A                           |
| EMIF1_D5            | 3            |         |         |         |         | I/O      | External memory interface 1 data line 5    |
| SPIC_CLK            | 5            |         |         |         |         | I/O      | SPI-C Clock                                |
| MCANC_TX            | 6            | B14     | 136     | 111     | 77      | O        | CAN/CAN FD-C Transmit                      |
| UARTB_RX            | 7            |         |         |         |         | I/O      | UART-B Serial Data Receive                 |
| EMIF1_D13           | 9            |         |         |         |         | I/O      | External memory interface 1 data line 13   |
| ESC_RX1_ERR         | 10           |         |         |         |         | I        | EtherCAT MII Receive-1 Error               |
| SD3_D1              | 11           |         |         |         |         | I        | SDFM-3 Channel 1 Data Input                |
| FSITXC_CLK          | 13           |         |         |         |         | O        | FSITX-C Output Clock                       |
| FSITXB_D0           | 14           |         |         |         |         | O        | FSITX-B Primary Data Output                |

**Table 5-1. Pin Attributes (continued)**

| SIGNAL NAME    | MUX POSITION | 256 ZEX | 176 PTS | 144 RFS | 100 PZS | PIN TYPE | DESCRIPTION                                                                                                     |
|----------------|--------------|---------|---------|---------|---------|----------|-----------------------------------------------------------------------------------------------------------------|
| GPIO72         | 0, 4, 8, 12  |         |         |         |         | I/O      | General-Purpose Input Output 72                                                                                 |
| EPWM12_B       | 1            |         |         |         |         | O        | ePWM-12 Output B                                                                                                |
| EMIF1_D12      | 2            |         |         |         |         | I/O      | External memory interface 1 data line 12                                                                        |
| SPIC_PTE       | 5            |         |         |         |         | I/O      | SPI-C Peripheral Transmit Enable (PTE)                                                                          |
| MCANB_RX       | 6            |         |         |         |         | I        | CAN/CAN FD-B Receive                                                                                            |
| UARTA_TX       | 7            | A14     | 139     | 114     | 80      | I/O      | UART-A Serial Data Transmit                                                                                     |
| OUTPUTXBAR8    | 9            |         |         |         |         | O        | Output X-BAR Output 8                                                                                           |
| ESC_TX1_DATA3  | 10           |         |         |         |         | O        | EtherCAT MII Transmit-1 Data-3                                                                                  |
| SD3_D2         | 11           |         |         |         |         | I        | SDFM-3 Channel 2 Data Input                                                                                     |
| FSITXC_D0      | 13           |         |         |         |         | O        | FSITX-C Primary Data Output                                                                                     |
| SD3_C1         | 14           |         |         |         |         | I        | SDFM-3 Channel 1 Clock Input                                                                                    |
| GPIO73         | 0, 4, 8, 12  |         |         |         |         | I/O      | General-Purpose Input Output 73                                                                                 |
| EPWM5_B        | 1            |         |         |         |         | O        | ePWM-5 Output B                                                                                                 |
| EMIF1_D11      | 2            |         |         |         |         | I/O      | External memory interface 1 data line 11                                                                        |
| XLCKOUT        | 3            |         |         |         |         | O        | External Clock Output. This pin outputs a divided-down version of a chosen clock signal from within the device. |
| MCANB_TX       | 6            | E13     | 140     |         |         | O        | CAN/CAN FD-B Transmit                                                                                           |
| UARTA_RX       | 7            |         |         |         |         | I/O      | UART-A Serial Data Receive                                                                                      |
| OUTPUTXBAR6    | 9            |         |         |         |         | O        | Output X-BAR Output 6                                                                                           |
| ESC_TX1_DATA2  | 10           |         |         |         |         | O        | EtherCAT MII Transmit-1 Data-2                                                                                  |
| SD4_D4         | 11           |         |         |         |         | I        | SDFM-4 Channel 4 Data Input                                                                                     |
| FSITXC_CLK     | 13           |         |         |         |         | O        | FSITX-C Output Clock                                                                                            |
| SD2_D2         | 14           |         |         |         |         | I        | SDFM-2 Channel 2 Data Input                                                                                     |
| GPIO74         | 0, 4, 8, 12  |         |         |         |         | I/O      | General-Purpose Input Output 74                                                                                 |
| EPWM8_A        | 1            |         |         |         |         | O        | ePWM-8 Output A                                                                                                 |
| EMIF1_D10      | 2            |         |         |         |         | I/O      | External memory interface 1 data line 10                                                                        |
| MCANC_TX       | 6            | D13     | 141     |         |         | O        | CAN/CAN FD-C Transmit                                                                                           |
| ESC_TX1_DATA1  | 10           |         |         |         |         | O        | EtherCAT MII Transmit-1 Data-1                                                                                  |
| SD1_D4         | 11           |         |         |         |         | I        | SDFM-1 Channel 4 Data Input                                                                                     |
| FSITXA_D0      | 13           |         |         |         |         | O        | FSITX-A Primary Data Output                                                                                     |
| SD2_C2         | 14           |         |         |         |         | I        | SDFM-2 Channel 2 Clock Input                                                                                    |
| GPIO75         | 0, 4, 8, 12  |         |         |         |         | I/O      | General-Purpose Input Output 75                                                                                 |
| EPWM8_B        | 1            |         |         |         |         | O        | ePWM-8 Output B                                                                                                 |
| EMIF1_D9       | 2            |         |         |         |         | I/O      | External memory interface 1 data line 9                                                                         |
| SPID_CLK       | 5            | C13     | 142     |         |         | I/O      | SPI-D Clock                                                                                                     |
| MCANC_RX       | 6            |         |         |         |         | I        | CAN/CAN FD-C Receive                                                                                            |
| OUTPUTXBAR16   | 9            |         |         |         |         | O        | Output X-BAR Output 16                                                                                          |
| ESC_TX1_DATA0  | 10           |         |         |         |         | O        | EtherCAT MII Transmit-1 Data-0                                                                                  |
| SD2_D3         | 14           |         |         |         |         | I        | SDFM-2 Channel 3 Data Input                                                                                     |
| GPIO76         | 0, 4, 8, 12  |         |         |         |         | I/O      | General-Purpose Input Output 76                                                                                 |
| EPWM9_A        | 1            |         |         |         |         | O        | ePWM-9 Output A                                                                                                 |
| EMIF1_D8       | 2            |         |         |         |         | I/O      | External memory interface 1 data line 8                                                                         |
| UARTD_TX       | 5            |         |         |         |         | I/O      | UART-D Serial Data Transmit                                                                                     |
| MCANE_TX       | 7            |         |         |         |         | O        | CAN/CAN FD-E Transmit                                                                                           |
| SD4_D4         | 9            | B13     | 143     | 115     |         | I        | SDFM-4 Channel 4 Data Input                                                                                     |
| ESC_PHY_RESETn | 10           |         |         |         |         | O        | EtherCAT PHY Active Low Reset                                                                                   |
| SD3_C1         | 11           |         |         |         |         | I        | SDFM-3 Channel 1 Clock Input                                                                                    |
| FSIRXC_D0      | 13           |         |         |         |         | I        | FSIRX-C Primary Data Input                                                                                      |
| SD2_C3         | 14           |         |         |         |         | I        | SDFM-2 Channel 3 Clock Input                                                                                    |
| ESC_GPI17      | 15           |         |         |         |         | I        | EtherCAT General-Purpose Input 17                                                                               |

**Table 5-1. Pin Attributes (continued)**

| SIGNAL NAME   | MUX POSITION | 256 ZEX | 176 PTS | 144 RFS | 100 PZS | PIN TYPE | DESCRIPTION                                                      |
|---------------|--------------|---------|---------|---------|---------|----------|------------------------------------------------------------------|
| GPIO77        | 0, 4, 8, 12  |         |         |         |         | I/O      | General-Purpose Input Output 77                                  |
| EPWM9_B       | 1            |         |         |         |         | O        | ePWM-9 Output B                                                  |
| EMIF1_D7      | 2            |         |         |         |         | I/O      | External memory interface 1 data line 7                          |
| UARTD_RX      | 5            |         |         |         |         | I/O      | UART-D Serial Data Receive                                       |
| MCANE_RX      | 7            | A13     | 144     | 116     |         | I        | CAN/CAN FD-E Receive                                             |
| SD1_D4        | 9            |         |         |         |         | I        | SDFM-1 Channel 4 Data Input                                      |
| ESC_RX0_CLK   | 10           |         |         |         |         | I        | EtherCAT MII Receive-0 Clock                                     |
| SD3_D1        | 11           |         |         |         |         | I        | SDFM-3 Channel 1 Data Input                                      |
| FSITXB_D0     | 13           |         |         |         |         | O        | FSITX-B Primary Data Output                                      |
| SD2_D4        | 14           |         |         |         |         | I        | SDFM-2 Channel 4 Data Input                                      |
| GPIO78        | 0, 4, 8, 12  |         |         |         |         | I/O      | General-Purpose Input Output 78                                  |
| EPWM10_A      | 1            |         |         |         |         | O        | ePWM-10 Output A                                                 |
| EMIF1_D6      | 2            |         |         |         |         | I/O      | External memory interface 1 data line 6                          |
| EPWM11_A      | 3            |         |         |         |         | O        | ePWM-11 Output A                                                 |
| MCANF_TX      | 7            |         |         |         |         | O        | CAN/CAN FD-F Transmit                                            |
| SD4_D4        | 9            | D12     | 145     | 117     |         | I        | SDFM-4 Channel 4 Data Input                                      |
| ESC_RX0_DV    | 10           |         |         |         |         | I        | EtherCAT MII Receive-0 Data Valid                                |
| SD3_C2        | 11           |         |         |         |         | I        | SDFM-3 Channel 2 Clock Input                                     |
| FSITXC_D1     | 13           |         |         |         |         | O        | FSITX-C Optional Additional Data Output                          |
| SD2_C4        | 14           |         |         |         |         | I        | SDFM-2 Channel 4 Clock Input                                     |
| ESC_GPI18     | 15           |         |         |         |         | I        | EtherCAT General-Purpose Input 18                                |
| GPIO79        | 0, 4, 8, 12  |         |         |         |         | I/O      | General-Purpose Input Output 79                                  |
| EPWM10_B      | 1            |         |         |         |         | O        | ePWM-10 Output B                                                 |
| EMIF1_D5      | 2            |         |         |         |         | I/O      | External memory interface 1 data line 5                          |
| ERRORSTS      | 5            | C12     | 146     |         |         | O        | Error Status Output. This signal requires an external pull-down. |
| ESC_RX0_ERR   | 10           |         |         |         |         | I        | EtherCAT MII Receive-0 Error                                     |
| SD3_D2        | 11           |         |         |         |         | I        | SDFM-3 Channel 2 Data Input                                      |
| FSITXC_D0     | 13           |         |         |         |         | O        | FSITX-C Primary Data Output                                      |
| SD2_D1        | 14           |         |         |         |         | I        | SDFM-2 Channel 1 Data Input                                      |
| GPIO80        | 0, 4, 8, 12  |         |         |         |         | I/O      | General-Purpose Input Output 80                                  |
| EPWM11_A      | 1            |         |         |         |         | O        | ePWM-11 Output A                                                 |
| EMIF1_D4      | 2            |         |         |         |         | I/O      | External memory interface 1 data line 4                          |
| ERRORSTS      | 5            | B12     |         |         |         | O        | Error Status Output. This signal requires an external pull-down. |
| SD1_D4        | 9            |         |         |         |         | I        | SDFM-1 Channel 4 Data Input                                      |
| ESC_RX0_DATA0 | 10           |         |         |         |         | I        | EtherCAT MII Receive-0 Data-0                                    |
| SD3_C3        | 11           |         |         |         |         | I        | SDFM-3 Channel 3 Clock Input                                     |
| SD2_C1        | 14           |         |         |         |         | I        | SDFM-2 Channel 1 Clock Input                                     |
| GPIO81        | 0, 4, 8, 12  |         |         |         |         | I/O      | General-Purpose Input Output 81                                  |
| EPWM11_B      | 1            |         |         |         |         | O        | ePWM-11 Output B                                                 |
| EMIF1_D3      | 2            | A12     |         |         |         | I/O      | External memory interface 1 data line 3                          |
| ESC_RX0_DATA1 | 10           |         |         |         |         | I        | EtherCAT MII Receive-0 Data-1                                    |
| SD3_D3        | 11           |         |         |         |         | I        | SDFM-3 Channel 3 Data Input                                      |
| GPIO82        | 0, 4, 8, 12  |         |         |         |         | I/O      | General-Purpose Input Output 82                                  |
| EPWM12_A      | 1            |         |         |         |         | O        | ePWM-12 Output A                                                 |
| EMIF1_D2      | 2            | D10     |         |         |         | I/O      | External memory interface 1 data line 2                          |
| ESC_RX0_DATA2 | 10           |         |         |         |         | I        | EtherCAT MII Receive-0 Data-2                                    |
| SD3_C2        | 11           |         |         |         |         | I        | SDFM-3 Channel 2 Clock Input                                     |

**Table 5-1. Pin Attributes (continued)**

| SIGNAL NAME         | MUX POSITION | 256<br>ZEX | 176<br>PTS | 144<br>RFS | 100<br>PZS | PIN<br>TYPE | DESCRIPTION                                              |
|---------------------|--------------|------------|------------|------------|------------|-------------|----------------------------------------------------------|
| GPIO83              | 0, 4, 8, 12  |            |            |            |            | I/O         | General-Purpose Input Output 83                          |
| EPWM12_B            | 1            |            |            |            |            | O           | ePWM-12 Output B                                         |
| EMIF1_D1            | 2            | A11        |            |            |            | I/O         | External memory interface 1 data line 1                  |
| ESC_RX0_DATA3       | 10           |            |            |            |            | I           | EtherCAT MII Receive-0 Data-3                            |
| SD3_D2              | 11           |            |            |            |            | I           | SDFM-3 Channel 2 Data Input                              |
| GPIO84              | 0, 4, 8, 12  |            |            |            |            | I/O         | General-Purpose Input Output 84                          |
| EPWM12_B            | 1            |            |            |            |            | O           | ePWM-12 Output B                                         |
| EMIF1_D1            | 2            |            |            |            |            | I/O         | External memory interface 1 data line 1                  |
| EMIF1_CS4n          | 3            |            |            |            |            | O           | External memory interface 1 chip select 4                |
| SPIC_PICO           | 5            |            |            |            |            | I/O         | SPI-C Peripheral In, Controller Out (PICO)               |
| UARTA_TX            | 6            |            |            |            |            | I/O         | UART-A Serial Data Transmit                              |
| MCANF_RX            | 7            | D11        | 148        | 119        | 81         | I           | CAN/CAN FD-F Receive                                     |
| ESC_TX0_ENA         | 10           |            |            |            |            | I/O         | EtherCAT MII Transmit-0 Enable                           |
| SD3_C2              | 11           |            |            |            |            | I           | SDFM-3 Channel 2 Clock Input                             |
| FSITXC_D1           | 13           |            |            |            |            | O           | FSITX-C Optional Additional Data Output                  |
| ESC_RX0_DATA3       | 14           |            |            |            |            | I           | EtherCAT MII Receive-0 Data-3                            |
| ESC_GPO24           | 15           |            |            |            |            | O           | EtherCAT General-Purpose Output 24                       |
| GPIO85              | 0, 4, 8, 12  |            |            |            |            | I/O         | General-Purpose Input Output 85                          |
| EPWM13_A            | 1            |            |            |            |            | O           | ePWM-13 Output A                                         |
| EMIF1_D0            | 2            |            |            |            |            | I/O         | External memory interface 1 data line 0                  |
| UARTA_RX            | 6            | B11        |            |            |            | I/O         | UART-A Serial Data Receive                               |
| EMIF1_DQM2          | 9            |            |            |            |            | O           | External memory interface 1 Input/output mask for byte 2 |
| ESC_TX0_CLK         | 10           |            |            |            |            | I           | EtherCAT MII Transmit-0 Clock                            |
| SD3_D3              | 11           |            |            |            |            | I           | SDFM-3 Channel 3 Data Input                              |
| GPIO86              | 0, 4, 8, 12  |            |            |            |            | I/O         | General-Purpose Input Output 86                          |
| EPWM13_B            | 1            |            |            |            |            | O           | ePWM-13 Output B                                         |
| EMIF1_A13           | 2            |            |            |            |            | O           | External memory interface 1 address line 13              |
| EMIF1_CAS           | 3            | C11        |            |            |            | O           | External memory interface 1 column address strobe        |
| UARTD_TX            | 6            |            |            |            |            | I/O         | UART-D Serial Data Transmit                              |
| ESC_PHY0_LINKSTATUS | 10           |            |            |            |            | I           | EtherCAT PHY-0 Link Status                               |
| SD3_C3              | 11           |            |            |            |            | I           | SDFM-3 Channel 3 Clock Input                             |
| GPIO87              | 0, 4, 8, 12  |            |            |            |            | I/O         | General-Purpose Input Output 87                          |
| EPWM14_A            | 1            |            |            |            |            | O           | ePWM-14 Output A                                         |
| EMIF1_A14           | 2            |            |            |            |            | O           | External memory interface 1 address line 14              |
| EMIF1_RAS           | 3            |            |            |            |            | O           | External memory interface 1 row address strobe           |
| UARTD_RX            | 6            | C10        |            |            |            | I/O         | UART-D Serial Data Receive                               |
| EMIF1_DQM3          | 9            |            |            |            |            | O           | External memory interface 1 Input/output mask for byte 3 |
| ESC_TX0_DATA0       | 10           |            |            |            |            | O           | EtherCAT MII Transmit-0 Data-0                           |
| SD3_D4              | 11           |            |            |            |            | I           | SDFM-3 Channel 4 Data Input                              |
| GPIO88              | 0, 4, 8, 12  |            |            |            |            | I/O         | General-Purpose Input Output 88                          |
| EPWM14_B            | 1            |            |            |            |            | O           | ePWM-14 Output B                                         |
| EMIF1_A15           | 2            |            |            |            |            | O           | External memory interface 1 address line 15              |
| EMIF1_DQM0          | 3            | C3         |            |            |            | O           | External memory interface 1 Input/output mask for byte 0 |
| EMIF1_DQM1          | 9            |            |            |            |            | O           | External memory interface 1 Input/output mask for byte 1 |
| ESC_TX0_DATA1       | 10           |            |            |            |            | O           | EtherCAT MII Transmit-0 Data-1                           |
| SD3_C4              | 11           |            |            |            |            | I           | SDFM-3 Channel 4 Clock Input                             |

**Table 5-1. Pin Attributes (continued)**

| SIGNAL NAME   | MUX POSITION | 256 ZEX | 176 PTS | 144 RFS | 100 PZS | PIN TYPE | DESCRIPTION                                              |
|---------------|--------------|---------|---------|---------|---------|----------|----------------------------------------------------------|
| GPIO89        | 0, 4, 8, 12  |         |         |         |         | I/O      | General-Purpose Input Output 89                          |
| EPWM15_A      | 1            |         |         |         |         | O        | ePWM-15 Output A                                         |
| EMIF1_A16     | 2            |         |         |         |         | O        | External memory interface 1 address line 16              |
| EMIF1_DQM1    | 3            |         |         |         |         | O        | External memory interface 1 Input/output mask for byte 1 |
| SPID_PTE      | 5            | D4      |         |         |         | I/O      | SPI-D Peripheral Transmit Enable (PTE)                   |
| EMIF1_CAS     | 9            |         |         |         |         | O        | External memory interface 1 column address strobe        |
| ESC_TX0_DATA2 | 10           |         |         |         |         | O        | EtherCAT MII Transmit-0 Data-2                           |
| SD1_D3        | 11           |         |         |         |         | I        | SDFM-1 Channel 3 Data Input                              |
| SD4_D1        | 14           |         |         |         |         | I        | SDFM-4 Channel 1 Data Input                              |
| GPIO90        | 0, 4, 8, 12  |         |         |         |         | I/O      | General-Purpose Input Output 90                          |
| EPWM15_B      | 1            |         |         |         |         | O        | ePWM-15 Output B                                         |
| EMIF1_A17     | 2            |         |         |         |         | O        | External memory interface 1 address line 17              |
| EMIF1_DQM2    | 3            |         |         |         |         | O        | External memory interface 1 Input/output mask for byte 2 |
| SPID_CLK      | 5            | D3      |         |         |         | I/O      | SPI-D Clock                                              |
| EMIF1_RAS     | 9            |         |         |         |         | O        | External memory interface 1 row address strobe           |
| ESC_TX0_DATA3 | 10           |         |         |         |         | O        | EtherCAT MII Transmit-0 Data-3                           |
| SD1_C3        | 11           |         |         |         |         | I        | SDFM-1 Channel 3 Clock Input                             |
| SD4_C1        | 14           |         |         |         |         | I        | SDFM-4 Channel 1 Clock Input                             |
| GPIO91        | 0, 4, 8, 12  |         |         |         |         | I/O      | General-Purpose Input Output 91                          |
| EPWM16_A      | 1            |         |         |         |         | O        | ePWM-16 Output A                                         |
| EMIF1_A18     | 2            |         |         |         |         | O        | External memory interface 1 address line 18              |
| EMIF1_DQM3    | 3            |         |         |         |         | O        | External memory interface 1 Input/output mask for byte 3 |
| SPID_PICO     | 5            | D2      |         |         |         | I/O      | SPI-D Peripheral In, Controller Out (PICO)               |
| I2CA_SDA      | 6            |         |         |         |         | I/OD     | I2C-A Open-Drain Bidirectional Data                      |
| MCAND_TX      | 7            |         |         |         |         | O        | CAN/CAN FD-D Transmit                                    |
| EMIF1_DQM2    | 9            |         |         |         |         | O        | External memory interface 1 Input/output mask for byte 2 |
| SD4_D2        | 11           |         |         |         |         | I        | SDFM-4 Channel 2 Data Input                              |
| OUTPUTXBAR9   | 14           |         |         |         |         | O        | Output X-BAR Output 9                                    |
| GPIO92        | 0, 4, 8, 12  |         |         |         |         | I/O      | General-Purpose Input Output 92                          |
| EPWM16_B      | 1            |         |         |         |         | O        | ePWM-16 Output B                                         |
| EMIF1_A19     | 2            |         |         |         |         | O        | External memory interface 1 address line 19              |
| EMIF1_BA1     | 3            |         |         |         |         | O        | External memory interface 1 bank address 1               |
| SPID_POCI     | 5            |         |         |         |         | I/O      | SPI-D Peripheral Out, Controller In (POCI)               |
| I2CA_SCL      | 6            | E2      |         |         |         | I/OD     | I2C-A Open-Drain Bidirectional Clock                     |
| MCAND_RX      | 7            |         |         |         |         | I        | CAN/CAN FD-D Receive                                     |
| EMIF1_DQM0    | 9            |         |         |         |         | O        | External memory interface 1 Input/output mask for byte 0 |
| FSIRXD_CLK    | 10           |         |         |         |         | I        | FSIRX-D Input Clock                                      |
| SD4_C2        | 11           |         |         |         |         | I        | SDFM-4 Channel 2 Clock Input                             |
| OUTPUTXBAR10  | 14           |         |         |         |         | O        | Output X-BAR Output 10                                   |
| GPIO93        | 0, 4, 8, 12  |         |         |         |         | I/O      | General-Purpose Input Output 93                          |
| EPWM17_A      | 1            |         |         |         |         | O        | ePWM-17 Output A                                         |
| EMIF1_BA0     | 3            |         |         |         |         | O        | External memory interface 1 bank address 0               |
| SPID_CLK      | 5            | E3      |         |         |         | I/O      | SPI-D Clock                                              |
| ESC_TX1_CLK   | 10           |         |         |         |         | I        | EtherCAT MII Transmit-1 Clock                            |
| SD4_D3        | 11           |         |         |         |         | I        | SDFM-4 Channel 3 Data Input                              |
| OUTPUTXBAR11  | 14           |         |         |         |         | O        | Output X-BAR Output 11                                   |

**Table 5-1. Pin Attributes (continued)**

| SIGNAL NAME  | MUX POSITION | 256 ZEX | 176 PTS | 144 RFS | 100 PZS | PIN TYPE | DESCRIPTION                                              |
|--------------|--------------|---------|---------|---------|---------|----------|----------------------------------------------------------|
| GPIO94       | 0, 4, 8, 12  |         |         |         |         | I/O      | General-Purpose Input Output 94                          |
| EPWM17_B     | 1            |         |         |         |         | O        | ePWM-17 Output B                                         |
| SPID_PTE     | 5            |         |         |         |         | I/O      | SPI-D Peripheral Transmit Enable (PTE)                   |
| EMIF1_BA1    | 9            | E4      |         |         |         | O        | External memory interface 1 bank address 1               |
| ESC_TX1_ENA  | 10           |         |         |         |         | I/O      | EtherCAT MII Transmit-1 Enable                           |
| SD4_C3       | 11           |         |         |         |         | I        | SDFM-4 Channel 3 Clock Input                             |
| OUTPUTXBAR12 | 14           |         |         |         |         | O        | Output X-BAR Output 12                                   |
| GPIO95       | 0, 4, 8, 12  |         |         |         |         | I/O      | General-Purpose Input Output 95                          |
| EPWM18_A     | 1            |         |         |         |         | O        | ePWM-18 Output A                                         |
| ESC_GPO10    | 10           | E5      |         |         |         | O        | EtherCAT General-Purpose Output 10                       |
| SD1_D1       | 11           |         |         |         |         | I        | SDFM-1 Channel 1 Data Input                              |
| OUTPUTXBAR13 | 14           |         |         |         |         | O        | Output X-BAR Output 13                                   |
| GPIO96       | 0, 4, 8, 12  |         |         |         |         | I/O      | General-Purpose Input Output 96                          |
| EPWM18_B     | 1            |         |         |         |         | O        | ePWM-18 Output B                                         |
| ESC_GPO11    | 10           | F3      |         |         |         | O        | EtherCAT General-Purpose Output 11                       |
| SD1_C1       | 11           |         |         |         |         | I        | SDFM-1 Channel 1 Clock Input                             |
| OUTPUTXBAR14 | 14           |         |         |         |         | O        | Output X-BAR Output 14                                   |
| GPIO97       | 0, 4, 8, 12  |         |         |         |         | I/O      | General-Purpose Input Output 97                          |
| ESC_GPI17    | 10           | F4      |         |         |         | I        | EtherCAT General-Purpose Input 17                        |
| SD1_D2       | 11           |         |         |         |         | I        | SDFM-1 Channel 2 Data Input                              |
| OUTPUTXBAR15 | 14           |         |         |         |         | O        | Output X-BAR Output 15                                   |
| GPIO98       | 0, 4, 8, 12  |         |         |         |         | I/O      | General-Purpose Input Output 98                          |
| ESC_GPI18    | 10           | F5      |         |         |         | I        | EtherCAT General-Purpose Input 18                        |
| SD1_C2       | 11           |         |         |         |         | I        | SDFM-1 Channel 2 Clock Input                             |
| OUTPUTXBAR16 | 14           |         |         |         |         | O        | Output X-BAR Output 16                                   |
| GPIO99       | 0, 4, 8, 12  |         |         |         |         | I/O      | General-Purpose Input Output 99                          |
| EPWM8_A      | 1            |         |         |         |         | O        | ePWM-8 Output A                                          |
| EMIF1_DQM3   | 2            | G5      |         |         |         | O        | External memory interface 1 Input/output mask for byte 3 |
| EMIF1_D17    | 3            |         |         |         |         | I/O      | External memory interface 1 data line 17                 |
| ESC_GPI21    | 10           |         |         |         |         | I        | EtherCAT General-Purpose Input 21                        |
| SD4_D4       | 11           |         |         |         |         | I        | SDFM-4 Channel 4 Data Input                              |
| GPIO100      | 0, 4, 8, 12  |         |         |         |         | I/O      | General-Purpose Input Output 100                         |
| EPWM9_A      | 1            |         |         |         |         | O        | ePWM-9 Output A                                          |
| EMIF1_BA1    | 2            |         |         |         |         | O        | External memory interface 1 bank address 1               |
| EMIF1_D24    | 3            |         |         |         |         | I/O      | External memory interface 1 data line 24                 |
| SPIC_PICO    | 5            |         |         |         |         | I/O      | SPI-C Peripheral In, Controller Out (PICO)               |
| SPIA_PICO    | 6            | B4      |         |         |         | I/O      | SPI-A Peripheral In, Controller Out (PICO)               |
| SD1_D1       | 9            |         |         |         |         | I        | SDFM-1 Channel 1 Data Input                              |
| ESC_GPI0     | 10           |         |         |         |         | I        | EtherCAT General-Purpose Input 0                         |
| SD4_C4       | 11           |         |         |         |         | I        | SDFM-4 Channel 4 Clock Input                             |
| FSITXA_D0    | 13           |         |         |         |         | O        | FSITX-A Primary Data Output                              |
| FSIRXD_D1    | 14           |         |         |         |         | I        | FSIRX-D Optional Additional Data Input                   |
| GPIO101      | 0, 4, 8, 12  |         |         |         |         | I/O      | General-Purpose Input Output 101                         |
| EPWM18_A     | 1            |         |         |         |         | O        | ePWM-18 Output A                                         |
| EMIF1_A5     | 2            | B5      |         |         |         | O        | External memory interface 1 address line 5               |
| SPIC_POCI    | 5            |         |         |         |         | I/O      | SPI-C Peripheral Out, Controller In (POCI)               |
| ESC_GPI1     | 10           |         |         |         |         | I        | EtherCAT General-Purpose Input 1                         |
| FSITXA_D1    | 13           |         |         |         |         | O        | FSITX-A Optional Additional Data Output                  |

**Table 5-1. Pin Attributes (continued)**

| SIGNAL NAME | MUX POSITION | 256 ZEX | 176 PTS | 144 RFS | 100 PZS | PIN TYPE | DESCRIPTION                                                                                                                                                                                                                                                                                                     |
|-------------|--------------|---------|---------|---------|---------|----------|-----------------------------------------------------------------------------------------------------------------------------------------------------------------------------------------------------------------------------------------------------------------------------------------------------------------|
| GPIO103     | 0, 4, 8, 12  |         |         |         |         | I/O      | General-Purpose Input Output 103                                                                                                                                                                                                                                                                                |
| EPWM8_B     | 1            |         |         |         |         | O        | ePWM-8 Output B                                                                                                                                                                                                                                                                                                 |
| EMIF1_BA0   | 2            |         |         |         |         | O        | External memory interface 1 bank address 0                                                                                                                                                                                                                                                                      |
| EMIF1_D3    | 3            |         |         |         |         | I/O      | External memory interface 1 data line 3                                                                                                                                                                                                                                                                         |
| SPIC_PTE    | 5            | D16     | 126     | 105     |         | I/O      | SPI-C Peripheral Transmit Enable (PTE)                                                                                                                                                                                                                                                                          |
| ESC_GPI3    | 10           |         |         |         |         | I        | EtherCAT General-Purpose Input 3                                                                                                                                                                                                                                                                                |
| SD4_C4      | 11           |         |         |         |         | I        | SDFM-4 Channel 4 Clock Input                                                                                                                                                                                                                                                                                    |
| FSIRXA_D0   | 13           |         |         |         |         | I        | FSIRX-A Primary Data Input                                                                                                                                                                                                                                                                                      |
| ESC_GPO25   | 15           |         |         |         |         | O        | EtherCAT General-Purpose Output 25                                                                                                                                                                                                                                                                              |
| GPIO105     | 0, 4, 8, 12  |         |         |         |         | I/O      | General-Purpose Input Output 105                                                                                                                                                                                                                                                                                |
| EPWM18_B    | 1            |         |         |         |         | O        | ePWM-18 Output B                                                                                                                                                                                                                                                                                                |
| I2CA_SCL    | 5            | J14     |         |         |         | I/OD     | I2C-A Open-Drain Bidirectional Clock                                                                                                                                                                                                                                                                            |
| ESC_GPI5    | 10           |         |         |         |         | I        | EtherCAT General-Purpose Input 5                                                                                                                                                                                                                                                                                |
| SD3_C1      | 11           |         |         |         |         | I        | SDFM-3 Channel 1 Clock Input                                                                                                                                                                                                                                                                                    |
| FSIRXA_CLK  | 13           |         |         |         |         | I        | FSIRX-A Input Clock                                                                                                                                                                                                                                                                                             |
| GPIO127     | 0, 4, 8, 12  |         |         |         |         | I/O      | General-Purpose Input Output 127                                                                                                                                                                                                                                                                                |
| EPWM18_A    | 1            |         |         |         |         | O        | ePWM-18 Output A                                                                                                                                                                                                                                                                                                |
| EMIF1_D18   | 2            |         |         |         |         | I/O      | External memory interface 1 data line 18                                                                                                                                                                                                                                                                        |
| EMIF1_A11   | 3            |         |         |         |         | O        | External memory interface 1 address line 11                                                                                                                                                                                                                                                                     |
| SPID_POCI   | 5            | F13     | 118     | 97      | 64      | I/O      | SPI-D Peripheral Out, Controller In (POCI)                                                                                                                                                                                                                                                                      |
| ESC_GPI27   | 10           |         |         |         |         | I        | EtherCAT General-Purpose Input 27                                                                                                                                                                                                                                                                               |
| SD1_C3      | 11           |         |         |         |         | I        | SDFM-1 Channel 3 Clock Input                                                                                                                                                                                                                                                                                    |
| FSIRXC_D1   | 13           |         |         |         |         | I        | FSIRX-C Optional Additional Data Input                                                                                                                                                                                                                                                                          |
| ESC_SYNC0   | 14           |         |         |         |         | O        | EtherCAT SyncSignal Output 0                                                                                                                                                                                                                                                                                    |
| ESC_GPO26   | 15           |         |         |         |         | O        | EtherCAT General-Purpose Output 26                                                                                                                                                                                                                                                                              |
| GPIO219     | 0, 4, 8, 12  |         |         |         |         | I/O      | General-Purpose Input Output 219                                                                                                                                                                                                                                                                                |
| ERRORSTS    | 1            |         |         |         |         | O        | Error Status Output. This signal requires an external pulldown.                                                                                                                                                                                                                                                 |
| EMIF1_A19   | 2            |         |         |         |         | O        | External memory interface 1 address line 19                                                                                                                                                                                                                                                                     |
| EPWM18_B    | 3            |         |         |         |         | O        | ePWM-18 Output B                                                                                                                                                                                                                                                                                                |
| OUTPUTXBAR1 | 9            | M16     | 91      | 74      | 51      | O        | Output X-BAR Output 1                                                                                                                                                                                                                                                                                           |
| XCLKOUT     | 10           |         |         |         |         | O        | External Clock Output. This pin outputs a divided-down version of a chosen clock signal from within the device.                                                                                                                                                                                                 |
| SD2_C1      | 11           |         |         |         |         | I        | SDFM-2 Channel 1 Clock Input                                                                                                                                                                                                                                                                                    |
| ESC_GPI8    | 13           |         |         |         |         | I        | EtherCAT General-Purpose Input 8                                                                                                                                                                                                                                                                                |
| ESC_TX0_ENA | 14           |         |         |         |         | I/O      | EtherCAT MII Transmit-0 Enable                                                                                                                                                                                                                                                                                  |
| ESC_GPO27   | 15           |         |         |         |         | O        | EtherCAT General-Purpose Output 27                                                                                                                                                                                                                                                                              |
| GPIO220     | 0, 4, 8, 12  |         |         |         |         | I/O      | General-Purpose Input Output 220                                                                                                                                                                                                                                                                                |
| EPWM6_A     | 1            |         |         |         |         | O        | ePWM-6 Output A                                                                                                                                                                                                                                                                                                 |
| SPID_POCI   | 5            |         |         |         |         | I/O      | SPI-D Peripheral Out, Controller In (POCI)                                                                                                                                                                                                                                                                      |
| MCANC_TX    | 6            |         |         |         |         | O        | CAN/CAN FD-C Transmit                                                                                                                                                                                                                                                                                           |
| OUTPUTXBAR2 | 9            |         |         |         |         | O        | Output X-BAR Output 2                                                                                                                                                                                                                                                                                           |
| SD3_D3      | 11           |         |         |         |         | I        | SDFM-3 Channel 3 Data Input                                                                                                                                                                                                                                                                                     |
| ESC_GPI9    | 13           | E16     | 123     | 102     | 70      | I        | EtherCAT General-Purpose Input 9                                                                                                                                                                                                                                                                                |
| ESC_GPO28   | 15           |         |         |         |         | O        | EtherCAT General-Purpose Output 28                                                                                                                                                                                                                                                                              |
| X1          | ALT          |         |         |         |         | I/O      | Crystal oscillator input or single-ended clock input. The device initialization software must configure this pin before the crystal oscillator is enabled. To use this oscillator, a quartz crystal circuit must be connected to X1 and X2. This pin can also be used to feed a single-ended 3.3-V level clock. |

**Table 5-1. Pin Attributes (continued)**

| SIGNAL NAME                  | MUX POSITION | 256 ZEX | 176 PTS | 144 RFS | 100 PZS | PIN TYPE | DESCRIPTION                                                                                                                                                                                                                                                                                                                            |
|------------------------------|--------------|---------|---------|---------|---------|----------|----------------------------------------------------------------------------------------------------------------------------------------------------------------------------------------------------------------------------------------------------------------------------------------------------------------------------------------|
| GPIO221                      | 0, 4, 8, 12  |         |         |         |         | I/O      | General-Purpose Input Output 221                                                                                                                                                                                                                                                                                                       |
| EPWM6_B                      | 1            |         |         |         |         | O        | ePWM-6 Output B                                                                                                                                                                                                                                                                                                                        |
| EMIF1_CAS                    | 3            |         |         |         |         | O        | External memory interface 1 column address strobe                                                                                                                                                                                                                                                                                      |
| SPID_PTE                     | 5            |         |         |         |         | I/O      | SPI-D Peripheral Transmit Enable (PTE)                                                                                                                                                                                                                                                                                                 |
| MCANC_RX                     | 6            |         |         |         |         | I        | CAN/CAN FD-C Receive                                                                                                                                                                                                                                                                                                                   |
| OUTPUTXBAR3                  | 9            | F16     | 121     | 100     | 68      | O        | Output X-BAR Output 3                                                                                                                                                                                                                                                                                                                  |
| SD3_C3                       | 11           |         |         |         |         | I        | SDFM-3 Channel 3 Clock Input                                                                                                                                                                                                                                                                                                           |
| ESC_GPI10                    | 13           |         |         |         |         | I        | EtherCAT General-Purpose Input 10                                                                                                                                                                                                                                                                                                      |
| ESC_GPO29                    | 15           |         |         |         |         | O        | EtherCAT General-Purpose Output 29                                                                                                                                                                                                                                                                                                     |
| X2                           | ALT          |         |         |         |         | I/O      | Crystal oscillator output.                                                                                                                                                                                                                                                                                                             |
| GPIO222                      | 0, 4, 8, 12  |         |         |         |         | I/O      | General-Purpose Input Output 222                                                                                                                                                                                                                                                                                                       |
| TDI                          | 1            |         |         |         |         | I        | JTAG test data input (TDI) with internal pullup. TDI is clocked into the selected register (instruction or data) on a rising edge of TCK.                                                                                                                                                                                              |
| EPWM7_A                      | 2            |         |         |         |         | O        | ePWM-7 Output A                                                                                                                                                                                                                                                                                                                        |
| SPID_PICO                    | 5            |         |         |         |         | I/O      | SPI-D Peripheral In, Controller Out (PICO)                                                                                                                                                                                                                                                                                             |
| UARTB_TX                     | 6            | T14     | 77      | 64      | 42      | I/O      | UART-B Serial Data Transmit                                                                                                                                                                                                                                                                                                            |
| I2CB_SCL                     | 7            |         |         |         |         | I/OD     | I2C-B Open-Drain Bidirectional Clock                                                                                                                                                                                                                                                                                                   |
| OUTPUTXBAR4                  | 9            |         |         |         |         | O        | Output X-BAR Output 4                                                                                                                                                                                                                                                                                                                  |
| SPIC_CLK                     | 10           |         |         |         |         | I/O      | SPI-C Clock                                                                                                                                                                                                                                                                                                                            |
| SD3_D4                       | 11           |         |         |         |         | I        | SDFM-3 Channel 4 Data Input                                                                                                                                                                                                                                                                                                            |
| ESC_GPI11                    | 13           |         |         |         |         | I        | EtherCAT General-Purpose Input 11                                                                                                                                                                                                                                                                                                      |
| ESC_GPO30                    | 15           |         |         |         |         | O        | EtherCAT General-Purpose Output 30                                                                                                                                                                                                                                                                                                     |
| GPIO223                      | 0, 4, 8, 12  |         |         |         |         | I/O      | General-Purpose Input Output 223                                                                                                                                                                                                                                                                                                       |
| TDO                          | 1            |         |         |         |         | O        | JTAG scan out, test data output (TDO). The contents of the selected register (instruction or data) are shifted out of TDO on the falling edge of TCK.                                                                                                                                                                                  |
| EPWM7_B                      | 2            |         |         |         |         | O        | ePWM-7 Output B                                                                                                                                                                                                                                                                                                                        |
| SPID_CLK                     | 5            |         |         |         |         | I/O      | SPI-D Clock                                                                                                                                                                                                                                                                                                                            |
| UARTB_RX                     | 6            | R14     | 78      | 65      | 43      | I/O      | UART-B Serial Data Receive                                                                                                                                                                                                                                                                                                             |
| I2CB_SDA                     | 7            |         |         |         |         | I/OD     | I2C-B Open-Drain Bidirectional Data                                                                                                                                                                                                                                                                                                    |
| OUTPUTXBAR5                  | 9            |         |         |         |         | O        | Output X-BAR Output 5                                                                                                                                                                                                                                                                                                                  |
| SPIC_PTE                     | 10           |         |         |         |         | I/O      | SPI-C Peripheral Transmit Enable (PTE)                                                                                                                                                                                                                                                                                                 |
| SD3_C4                       | 11           |         |         |         |         | I        | SDFM-3 Channel 4 Clock Input                                                                                                                                                                                                                                                                                                           |
| ESC_GPI12                    | 13           |         |         |         |         | I        | EtherCAT General-Purpose Input 12                                                                                                                                                                                                                                                                                                      |
| ESC_GPO31                    | 15           |         |         |         |         | O        | EtherCAT General-Purpose Output 31                                                                                                                                                                                                                                                                                                     |
| <b>TEST, JTAG, AND RESET</b> |              |         |         |         |         |          |                                                                                                                                                                                                                                                                                                                                        |
| FLT3                         |              | M12     |         |         |         | I/O      | Flash test pin 3. Reserved for TI. Must be left unconnected.                                                                                                                                                                                                                                                                           |
| TCK                          |              | R15     | 83      | 70      | 48      | I        | JTAG test clock with internal pullup.                                                                                                                                                                                                                                                                                                  |
| TMS                          |              | T15     | 82      | 69      | 47      | I/O      | JTAG test-mode select (TMS) with internal pullup. This serial control input is clocked into the TAP controller on the rising edge of TCK. This device does not have a TRSTn pin. An external pullup resistor (recommended 2.2 kΩ) on the TMS pin to VDDIO should be placed on the board to keep JTAG in reset during normal operation. |
| VREGENZ                      |              |         |         |         | 65      | I        | Internal voltage regulator enable with internal pullup. Tie low to VSS to enable internal VREG. Tie high to VDDIO to use an external supply.                                                                                                                                                                                           |

**Table 5-1. Pin Attributes (continued)**

| SIGNAL NAME             | MUX POSITION | 256 ZEX                                                                                                                | 176 PTS                                                            | 144 RFS                                                   | 100 PZS                          | PIN TYPE | DESCRIPTION                                                                                                                                                                                                                                                                                                                                                                                                                                                                                                                                                                                                                                                                                                                                                                                                                                     |
|-------------------------|--------------|------------------------------------------------------------------------------------------------------------------------|--------------------------------------------------------------------|-----------------------------------------------------------|----------------------------------|----------|-------------------------------------------------------------------------------------------------------------------------------------------------------------------------------------------------------------------------------------------------------------------------------------------------------------------------------------------------------------------------------------------------------------------------------------------------------------------------------------------------------------------------------------------------------------------------------------------------------------------------------------------------------------------------------------------------------------------------------------------------------------------------------------------------------------------------------------------------|
| XRSn                    |              | F14                                                                                                                    | 124                                                                | 103                                                       | 71                               | I/OD     | Device Reset (in) and Watchdog Reset (out). During a power-on condition, this pin is driven low by the device. An external circuit may also drive this pin to assert a device reset. This pin is also driven low by the MCU when a watchdog reset occurs. During watchdog reset, the XRSn pin is driven low for the watchdog reset duration of 512 OSCCLK cycles. A resistor between 2.2 kΩ and 10 kΩ should be placed between XRSn and VDDIO. If a capacitor is placed between XRSn and VSS for noise filtering, it should be 100 nF or smaller. These values will allow the watchdog to properly drive the XRSn pin to VOL within 512 OSCCLK cycles when the watchdog reset is asserted. This pin is an open-drain output with an internal pullup. If this pin is driven by an external device, it should be done using an open-drain device. |
| <b>POWER AND GROUND</b> |              |                                                                                                                        |                                                                    |                                                           |                                  |          |                                                                                                                                                                                                                                                                                                                                                                                                                                                                                                                                                                                                                                                                                                                                                                                                                                                 |
| VDD                     |              | E8, E9, E12, F6, F12, G6, L11, L12                                                                                     | 8, 11, 80, 84, 105, 119, 137, 153, 169                             | 6, 8, 67, 71, 87, 98, 112, 123, 137                       | 5, 6, 45, 49, 55, 66, 78, 95     |          | 1.25-V Digital Logic Power Pins. TI recommends placing a decoupling capacitor near each VDD pin with a minimum total capacitance of approximately 10 μF. The typical total capacitance for this pin is 22 μF. The exact value of the decoupling capacitance should be determined by your system voltage regulation solution.                                                                                                                                                                                                                                                                                                                                                                                                                                                                                                                    |
| VDDA                    |              | K6, L6                                                                                                                 | 27, 62                                                             | 19, 54                                                    | 14, 37                           |          | 3.3-V Analog Power Pins. Place a minimum 2.2-μF decoupling capacitor to VSSA on each pin. Connect this pin to 3.3-V supply.                                                                                                                                                                                                                                                                                                                                                                                                                                                                                                                                                                                                                                                                                                                     |
| VDDIO                   |              | E6, E7, E10, E11, F15, G12, H6, H12, J6, J12, K12, L8, L9, L10, L13, M10, M11                                          | 3, 12, 79, 81, 88, 98, 101, 107, 115, 120, 127, 138, 147, 152, 168 | 3, 9, 66, 68, 72, 81, 83, 95, 99, 106, 113, 118, 122, 136 | 3, 7, 44, 46, 52, 63, 67, 73, 79 |          | 3.3-V Digital I/O Power Pins. Place a minimum 0.1-μF decoupling capacitor on each pin. Connect this pin to 3.3-V supply.                                                                                                                                                                                                                                                                                                                                                                                                                                                                                                                                                                                                                                                                                                                        |
| VSS                     |              | A1, A16, F7, F8, F9, F10, F11, G7, G8, G9, G10, G11, H7, H8, H9, H10, H11, J7, J8, J9, J10, J11, K8, K9, K10, K11, T16 | PAD                                                                | PAD                                                       | PAD                              |          | Digital Ground                                                                                                                                                                                                                                                                                                                                                                                                                                                                                                                                                                                                                                                                                                                                                                                                                                  |
| VSSA                    |              | K7, L7, T1                                                                                                             | 28, 61                                                             | 20, 53                                                    | 15, 36                           |          | Analog Ground                                                                                                                                                                                                                                                                                                                                                                                                                                                                                                                                                                                                                                                                                                                                                                                                                                   |
| VSSOSC                  |              | E15                                                                                                                    | 122                                                                | 101                                                       | 69                               |          | Crystal oscillator (X1 and X2) ground pin. Always connect this pin to board ground.                                                                                                                                                                                                                                                                                                                                                                                                                                                                                                                                                                                                                                                                                                                                                             |

## 5.3 Signal Descriptions

### 5.3.1 Analog Signals

**Table 5-2. Analog Signals**

| SIGNAL NAME | PIN TYPE | DESCRIPTION                           | GPIO | 256 ZEX | 176 PTS | 144 RFS | 100 PZS |
|-------------|----------|---------------------------------------|------|---------|---------|---------|---------|
| A0          | I        | ADC-A Input 0                         |      | R1      | 44      | 36      | 25      |
| A1          | I        | ADC-A Input 1                         |      | P1      | 43      | 35      | 24      |
| A2          | I        | ADC-A Input 2                         |      | M1      | 36      | 28      |         |
| A3          | I        | ADC-A Input 3                         |      | M2      | 35      | 27      |         |
| A4          | I        | ADC-A Input 4                         |      | L2      | 32      | 24      |         |
| A5          | I        | ADC-A Input 5                         |      | L1      | 31      | 23      |         |
| A6          | I        | ADC-A Input 6                         | 224  | L5      | 26      | 18      | 13      |
| A7          | I        | ADC-A Input 7                         | 225  | K5      | 25      | 17      | 12      |
| A8          | I        | ADC-A Input 8                         | 226  | H4      | 22      | 16      |         |
| A9          | I        | ADC-A Input 9                         | 227  | H3      | 21      |         |         |
| A10         | I        | ADC-A Input 10                        | 228  | G3      | 18      |         |         |
| A11         | I        | ADC-A Input 11                        | 229  | G4      | 17      |         |         |
| A12         | I        | ADC-A Input 12                        |      | K2      |         |         |         |
| A13         | I        | ADC-A Input 13                        |      | K1      |         |         |         |
| A14         | I        | ADC-A Input 14                        |      | M3      | 40      | 32      | 21      |
| A15         | I        | ADC-A Input 15                        |      | M4      | 39      | 31      | 20      |
| A24         | I        | ADC-A Input 24                        |      | P3      | 49      | 41      | 30      |
| A25         | I        | ADC-A Input 25                        |      | P4      | 50      | 42      | 31      |
| A26         | I        | ADC-A Input 26                        |      | T5      | 59      | 51      |         |
| A27         | I        | ADC-A Input 27                        |      | T6      | 60      | 52      |         |
| A28         | I        | ADC-A Input 28                        | 246  | P11     | 67      | 56      | 38      |
| A29         | I        | ADC-A Input 29                        | 247  | R11     | 68      | 57      | 39      |
| A30         | I        | ADC-A Input 30                        | 248  | P13     | 73      | 62      |         |
| A31         | I        | ADC-A Input 31                        | 249  | N13     | 74      | 63      |         |
| AIO160      | I        | Analog Pin Used For Digital Input 160 |      | R1      | 44      | 36      | 25      |
| AIO161      | I        | Analog Pin Used For Digital Input 161 |      | P1      | 43      | 35      | 24      |
| AIO162      | I        | Analog Pin Used For Digital Input 162 |      | M1      | 36      | 28      |         |
| AIO163      | I        | Analog Pin Used For Digital Input 163 |      | M2      | 35      | 27      |         |
| AIO164      | I        | Analog Pin Used For Digital Input 164 |      | L2      | 32      | 24      |         |
| AIO165      | I        | Analog Pin Used For Digital Input 165 |      | L1      | 31      | 23      |         |
| AIO166      | I        | Analog Pin Used For Digital Input 166 |      | K2      |         |         |         |
| AIO167      | I        | Analog Pin Used For Digital Input 167 |      | K1      |         |         |         |
| AIO168      | I        | Analog Pin Used For Digital Input 168 |      | M3      | 40      | 32      | 21      |
| AIO169      | I        | Analog Pin Used For Digital Input 169 |      | M4      | 39      | 31      | 20      |
| AIO170      | I        | Analog Pin Used For Digital Input 170 |      | P2      | 42      | 34      | 23      |
| AIO171      | I        | Analog Pin Used For Digital Input 171 |      | N3      | 41      | 33      | 22      |
| AIO172      | I        | Analog Pin Used For Digital Input 172 |      | L4      | 34      | 26      | 17      |
| AIO173      | I        | Analog Pin Used For Digital Input 173 |      | L3      | 33      | 25      | 16      |
| AIO174      | I        | Analog Pin Used For Digital Input 174 |      | K4      | 30      | 22      |         |
| AIO175      | I        | Analog Pin Used For Digital Input 175 |      | K3      | 29      | 21      |         |
| AIO176      | I        | Analog Pin Used For Digital Input 176 |      | J2      |         |         |         |
| AIO177      | I        | Analog Pin Used For Digital Input 177 |      | J1      |         |         |         |
| AIO178      | I        | Analog Pin Used For Digital Input 178 |      | J4      |         |         |         |

**Table 5-2. Analog Signals (continued)**

| SIGNAL NAME | PIN TYPE | DESCRIPTION                           | GPIO | 256 ZEX | 176 PTS | 144 RFS | 100 PZS |
|-------------|----------|---------------------------------------|------|---------|---------|---------|---------|
| AIO179      | I        | Analog Pin Used For Digital Input 179 |      | J3      |         |         |         |
| AIO180      | I        | Analog Pin Used For Digital Input 180 |      | R2      | 45      | 37      | 26      |
| AIO181      | I        | Analog Pin Used For Digital Input 181 |      | T2      | 46      | 38      | 27      |
| AIO182      | I        | Analog Pin Used For Digital Input 182 |      | N4      | 51      | 43      |         |
| AIO183      | I        | Analog Pin Used For Digital Input 183 |      | M5      | 52      | 44      |         |
| AIO184      | I        | Analog Pin Used For Digital Input 184 |      | P5      | 55      | 47      |         |
| AIO185      | I        | Analog Pin Used For Digital Input 185 |      | N5      | 56      | 48      |         |
| AIO186      | I        | Analog Pin Used For Digital Input 186 |      | N8      |         |         |         |
| AIO187      | I        | Analog Pin Used For Digital Input 187 |      | P8      |         |         |         |
| AIO188      | I        | Analog Pin Used For Digital Input 188 |      | R8      |         |         |         |
| AIO189      | I        | Analog Pin Used For Digital Input 189 |      | T8      |         |         |         |
| AIO190      | I        | Analog Pin Used For Digital Input 190 |      | N7      |         |         |         |
| AIO191      | I        | Analog Pin Used For Digital Input 191 |      | P7      |         |         |         |
| AIO192      | I        | Analog Pin Used For Digital Input 192 |      | R3      | 47      | 39      | 28      |
| AIO193      | I        | Analog Pin Used For Digital Input 193 |      | T3      | 48      | 40      | 29      |
| AIO194      | I        | Analog Pin Used For Digital Input 194 |      | R5      | 57      | 49      | 34      |
| AIO195      | I        | Analog Pin Used For Digital Input 195 |      | R6      | 58      | 50      | 35      |
| AIO196      | I        | Analog Pin Used For Digital Input 196 |      | N6      |         |         |         |
| AIO197      | I        | Analog Pin Used For Digital Input 197 |      | P6      |         |         |         |
| AIO198      | I        | Analog Pin Used For Digital Input 198 |      | M7      |         |         |         |
| AIO199      | I        | Analog Pin Used For Digital Input 199 |      | M6      |         |         |         |
| AIO200      | I        | Analog Pin Used For Digital Input 200 |      | R7      |         |         |         |
| AIO201      | I        | Analog Pin Used For Digital Input 201 |      | T7      |         |         |         |
| AIO202      | I        | Analog Pin Used For Digital Input 202 |      | P3      | 49      | 41      | 30      |
| AIO203      | I        | Analog Pin Used For Digital Input 203 |      | P4      | 50      | 42      | 31      |
| AIO204      | I        | Analog Pin Used For Digital Input 204 |      | T5      | 59      | 51      |         |
| AIO205      | I        | Analog Pin Used For Digital Input 205 |      | T6      | 60      | 52      |         |
| AIO206      | I        | Analog Pin Used For Digital Input 206 |      | T10     |         |         |         |
| AIO207      | I        | Analog Pin Used For Digital Input 207 |      | T9      |         |         |         |
| AIO208      | I        | Analog Pin Used For Digital Input 208 |      | R10     |         |         |         |
| AIO209      | I        | Analog Pin Used For Digital Input 209 |      | R9      |         |         |         |
| AIO210      | I        | Analog Pin Used For Digital Input 210 |      | P9      |         |         |         |
| AIO211      | I        | Analog Pin Used For Digital Input 211 |      | N9      |         |         |         |
| AIO212      | I        | Analog Pin Used For Digital Input 212 |      | P10     |         |         |         |
| AIO213      | I        | Analog Pin Used For Digital Input 213 |      | T11     |         |         |         |
| B0          | I        | ADC-B Input 0                         |      | P2      | 42      | 34      | 23      |
| B1          | I        | ADC-B Input 1                         |      | N3      | 41      | 33      | 22      |
| B2          | I        | ADC-B Input 2                         |      | L4      | 34      | 26      | 17      |
| B3          | I        | ADC-B Input 3                         |      | L3      | 33      | 25      | 16      |
| B4          | I        | ADC-B Input 4                         |      | K4      | 30      | 22      |         |
| B5          | I        | ADC-B Input 5                         |      | K3      | 29      | 21      |         |
| B6          | I        | ADC-B Input 6                         | 230  | J5      | 24      |         |         |
| B7          | I        | ADC-B Input 7                         | 231  | H5      | 23      |         |         |
| B8          | I        | ADC-B Input 8                         | 232  | H2      | 20      | 15      | 11      |

**Table 5-2. Analog Signals (continued)**

| SIGNAL NAME | PIN TYPE | DESCRIPTION                              | GPIO | 256 ZEX | 176 PTS | 144 RFS | 100 PZS |
|-------------|----------|------------------------------------------|------|---------|---------|---------|---------|
| B9          | I        | ADC-B Input 9                            | 233  | H1      | 19      | 14      | 10      |
| B10         | I        | ADC-B Input 10                           | 234  | G2      | 16      | 13      |         |
| B11         | I        | ADC-B Input 11                           | 235  | G1      | 15      | 12      |         |
| B12         | I        | ADC-B Input 12                           |      | J2      |         |         |         |
| B13         | I        | ADC-B Input 13                           |      | J1      |         |         |         |
| B14         | I        | ADC-B Input 14                           |      | M3      | 40      | 32      | 21      |
| B15         | I        | ADC-B Input 15                           |      | M4      | 39      | 31      | 20      |
| B16         | I        | ADC-B Input 16                           |      | J4      |         |         |         |
| B17         | I        | ADC-B Input 17                           |      | J3      |         |         |         |
| B24         | I        | ADC-B Input 24                           |      | R3      | 47      | 39      | 28      |
| B25         | I        | ADC-B Input 25                           |      | T3      | 48      | 40      | 29      |
| B26         | I        | ADC-B Input 26                           |      | R5      | 57      | 49      | 34      |
| B27         | I        | ADC-B Input 27                           |      | R6      | 58      | 50      | 35      |
| B28         | I        | ADC-B Input 28                           | 240  | N10     | 65      |         |         |
| B29         | I        | ADC-B Input 29                           | 241  | N11     | 66      | 55      |         |
| B30         | I        | ADC-B Input 30                           | 242  | T12     | 71      | 60      |         |
| B31         | I        | ADC-B Input 31                           | 243  | R12     | 72      | 61      |         |
| C0          | I        | ADC-C Input 0                            |      | R2      | 45      | 37      | 26      |
| C1          | I        | ADC-C Input 1                            |      | T2      | 46      | 38      | 27      |
| C2          | I        | ADC-C Input 2                            |      | N4      | 51      | 43      |         |
| C3          | I        | ADC-C Input 3                            |      | M5      | 52      | 44      |         |
| C4          | I        | ADC-C Input 4                            |      | P5      | 55      | 47      |         |
| C5          | I        | ADC-C Input 5                            |      | N5      | 56      | 48      |         |
| C6          | I        | ADC-C Input 6                            | 236  | M8      | 63      |         |         |
| C7          | I        | ADC-C Input 7                            | 237  | M9      | 64      |         |         |
| C8          | I        | ADC-C Input 8                            | 238  | N12     | 69      | 58      | 40      |
| C9          | I        | ADC-C Input 9                            | 239  | P12     | 70      | 59      | 41      |
| C10         | I        | ADC-C Input 10                           |      | N8      |         |         |         |
| C11         | I        | ADC-C Input 11                           |      | P8      |         |         |         |
| C12         | I        | ADC-C Input 12                           |      | R8      |         |         |         |
| C13         | I        | ADC-C Input 13                           |      | T8      |         |         |         |
| C14         | I        | ADC-C Input 14                           |      | M3      | 40      | 32      | 21      |
| C15         | I        | ADC-C Input 15                           |      | M4      | 39      | 31      | 20      |
| C16         | I        | ADC-C Input 16                           |      | N7      |         |         |         |
| C17         | I        | ADC-C Input 17                           |      | P7      |         |         |         |
| C24         | I        | ADC-C Input 24                           |      | R1      | 44      | 36      | 25      |
| C25         | I        | ADC-C Input 25                           |      | P1      | 43      | 35      | 24      |
| C26         | I        | ADC-C Input 26                           |      | P2      | 42      | 34      | 23      |
| C27         | I        | ADC-C Input 27                           |      | N3      | 41      | 33      | 22      |
| C28         | I        | ADC-C Input 28                           | 244  | R13     | 75      |         |         |
| C29         | I        | ADC-C Input 29                           | 245  | T13     | 76      |         |         |
| C30         | I        | ADC-C Input 30                           |      | T10     |         |         |         |
| C31         | I        | ADC-C Input 31                           |      | T9      |         |         |         |
| CMP1_HN0    | I        | CMPSS-1 High Comparator Negative Input 0 |      | L1      | 31      | 23      |         |

**Table 5-2. Analog Signals (continued)**

| SIGNAL NAME | PIN TYPE | DESCRIPTION                              | GPIO | 256 ZEX | 176 PTS | 144 RFS | 100 PZS |
|-------------|----------|------------------------------------------|------|---------|---------|---------|---------|
| CMP1_HN1    | I        | CMPSS-1 High Comparator Negative Input 1 |      | M2      | 35      | 27      |         |
| CMP1_HP0    | I        | CMPSS-1 High Comparator Positive Input 0 |      | L2      | 32      | 24      |         |
| CMP1_HP1    | I        | CMPSS-1 High Comparator Positive Input 1 |      | M1      | 36      | 28      |         |
| CMP1_HP2    | I        | CMPSS-1 High Comparator Positive Input 2 |      | M2      | 35      | 27      |         |
| CMP1_HP3    | I        | CMPSS-1 High Comparator Positive Input 3 |      | L3      | 33      | 25      | 16      |
| CMP1_HP4    | I        | CMPSS-1 High Comparator Positive Input 4 | 242  | T12     | 71      | 60      |         |
| CMP1_HP5    | I        | CMPSS-1 High Comparator Positive Input 5 |      | K2      |         |         |         |
| CMP1_LN0    | I        | CMPSS-1 Low Comparator Negative Input 0  |      | L1      | 31      | 23      |         |
| CMP1_LN1    | I        | CMPSS-1 Low Comparator Negative Input 1  |      | M2      | 35      | 27      |         |
| CMP1_LP0    | I        | CMPSS-1 Low Comparator Positive Input 0  |      | L2      | 32      | 24      |         |
| CMP1_LP1    | I        | CMPSS-1 Low Comparator Positive Input 1  |      | M1      | 36      | 28      |         |
| CMP1_LP2    | I        | CMPSS-1 Low Comparator Positive Input 2  |      | M2      | 35      | 27      |         |
| CMP1_LP3    | I        | CMPSS-1 Low Comparator Positive Input 3  |      | L3      | 33      | 25      | 16      |
| CMP1_LP4    | I        | CMPSS-1 Low Comparator Positive Input 4  | 242  | T12     | 71      | 60      |         |
| CMP1_LP5    | I        | CMPSS-1 Low Comparator Positive Input 5  |      | K2      |         |         |         |
| CMP2_HN0    | I        | CMPSS-2 High Comparator Negative Input 0 | 225  | K5      | 25      | 17      | 12      |
| CMP2_HN1    | I        | CMPSS-2 High Comparator Negative Input 1 |      | L2      | 32      | 24      |         |
| CMP2_HP0    | I        | CMPSS-2 High Comparator Positive Input 0 | 224  | L5      | 26      | 18      | 13      |
| CMP2_HP1    | I        | CMPSS-2 High Comparator Positive Input 1 |      | T10     |         |         |         |
| CMP2_HP2    | I        | CMPSS-2 High Comparator Positive Input 2 |      | T9      |         |         |         |
| CMP2_HP3    | I        | CMPSS-2 High Comparator Positive Input 3 |      | M6      |         |         |         |
| CMP2_HP4    | I        | CMPSS-2 High Comparator Positive Input 4 | 243  | R12     | 72      | 61      |         |
| CMP2_HP5    | I        | CMPSS-2 High Comparator Positive Input 5 |      | K1      |         |         |         |
| CMP2_LN0    | I        | CMPSS-2 Low Comparator Negative Input 0  | 225  | K5      | 25      | 17      | 12      |
| CMP2_LN1    | I        | CMPSS-2 Low Comparator Negative Input 1  |      | L2      | 32      | 24      |         |
| CMP2_LP0    | I        | CMPSS-2 Low Comparator Positive Input 0  | 224  | L5      | 26      | 18      | 13      |

**Table 5-2. Analog Signals (continued)**

| SIGNAL NAME        | PIN TYPE | DESCRIPTION                                                                         | GPIO | 256 ZEX | 176 PTS | 144 RFS | 100 PZS |
|--------------------|----------|-------------------------------------------------------------------------------------|------|---------|---------|---------|---------|
| CMP2_LP1           | I        | CMPSS-2 Low Comparator Positive Input 1                                             |      | T10     |         |         |         |
| CMP2_LP2           | I        | CMPSS-2 Low Comparator Positive Input 2                                             |      | T9      |         |         |         |
| CMP2_LP3           | I        | CMPSS-2 Low Comparator Positive Input 3                                             |      | M6      |         |         |         |
| CMP2_LP4           | I        | CMPSS-2 Low Comparator Positive Input 4                                             | 243  | R12     | 72      | 61      |         |
| CMP2_LP5           | I        | CMPSS-2 Low Comparator Positive Input 5                                             |      | K1      |         |         |         |
| CMP3_HN0           | I        | CMPSS-3 High Comparator Negative Input 0                                            |      | L3      | 33      | 25      | 16      |
| CMP3_HN1           | I        | CMPSS-3 High Comparator Negative Input 1                                            |      | K3      | 29      | 21      |         |
| CMP3_HP0_CMP2_HP6  | I        | CMPSS-3 High Comparator Positive Input 0, CMPSS-2 High Comparator Positive Input 6  |      | L4      | 34      | 26      | 17      |
| CMP3_HP1_CMP1_HP6  | I        | CMPSS-3 High Comparator Positive Input 1, CMPSS-1 High Comparator Positive Input 6  |      | P2      | 42      | 34      | 23      |
| CMP3_HP2           | I        | CMPSS-3 High Comparator Positive Input 2                                            |      | N3      | 41      | 33      | 22      |
| CMP3_HP4           | I        | CMPSS-3 High Comparator Positive Input 4                                            |      | T5      | 59      | 51      |         |
| CMP3_HP5_CMP11_HP6 | I        | CMPSS-3 High Comparator Positive Input 5, CMPSS-11 High Comparator Positive Input 6 |      | M3      | 40      | 32      | 21      |
| CMP3_LN0           | I        | CMPSS-3 Low Comparator Negative Input 0                                             |      | L3      | 33      | 25      | 16      |
| CMP3_LN1           | I        | CMPSS-3 Low Comparator Negative Input 1                                             |      | K3      | 29      | 21      |         |
| CMP3_LP0_CMP2_LP6  | I        | CMPSS-3 Low Comparator Positive Input 0, CMPSS-2 Low Comparator Positive Input 6    |      | L4      | 34      | 26      | 17      |
| CMP3_LP1_CMP1_LP6  | I        | CMPSS-3 Low Comparator Positive Input 1, CMPSS-1 Low Comparator Positive Input 6    |      | P2      | 42      | 34      | 23      |
| CMP3_LP2           | I        | CMPSS-3 Low Comparator Positive Input 2                                             |      | N3      | 41      | 33      | 22      |
| CMP3_LP3           | I        | CMPSS-3 Low Comparator Positive Input 3                                             | 245  | T13     | 76      |         |         |
| CMP3_LP4           | I        | CMPSS-3 Low Comparator Positive Input 4                                             |      | T5      | 59      | 51      |         |
| CMP3_LP5_CMP11_LP6 | I        | CMPSS-3 Low Comparator Positive Input 5, CMPSS-11 Low Comparator Positive Input 6   |      | M3      | 40      | 32      | 21      |
| CMP3_LP6_CMP7_LP0  | I        | CMPSS-3 High Comparator Positive Input 6, CMPSS-7 Low Comparator Positive Input 0   |      | T3      | 48      | 40      | 29      |
| CMP4_HN0           | I        | CMPSS-4 High Comparator Negative Input 0                                            |      | P1      | 43      | 35      | 24      |
| CMP4_HN1           | I        | CMPSS-4 High Comparator Negative Input 1                                            | 241  | N11     | 66      | 55      |         |

**Table 5-2. Analog Signals (continued)**

| SIGNAL NAME        | PIN TYPE | DESCRIPTION                                                                         | GPIO | 256 ZEX | 176 PTS | 144 RFS | 100 PZS |
|--------------------|----------|-------------------------------------------------------------------------------------|------|---------|---------|---------|---------|
| CMP4_HP0_CMP9_HP6  | I        | CMPSS-4 High Comparator Positive Input 0, CMPSS-9 High Comparator Positive Input 6  |      | R1      | 44      | 36      | 25      |
| CMP4_HP1           | I        | CMPSS-4 High Comparator Positive Input 1                                            | 241  | N11     | 66      | 55      |         |
| CMP4_HP2_CMP10_HP6 | I        | CMPSS-4 High Comparator Positive Input 2, CMPSS-10 High Comparator Positive Input 6 |      | R3      | 47      | 39      | 28      |
| CMP4_HP3           | I        | CMPSS-4 High Comparator Positive Input 3                                            |      | R5      | 57      | 49      | 34      |
| CMP4_HP4           | I        | CMPSS-4 High Comparator Positive Input 4                                            |      | T6      | 60      | 52      |         |
| CMP4_HP5_CMP12_HP6 | I        | CMPSS-4 High Comparator Positive Input 5, CMPSS-12 High Comparator Positive Input 6 |      | M4      | 39      | 31      | 20      |
| CMP4_LN0           | I        | CMPSS-4 Low Comparator Negative Input 0                                             |      | P1      | 43      | 35      | 24      |
| CMP4_LN1           | I        | CMPSS-4 Low Comparator Negative Input 1                                             | 241  | N11     | 66      | 55      |         |
| CMP4_LP0_CMP9_LP6  | I        | CMPSS-4 Low Comparator Positive Input 0, CMPSS-9 Low Comparator Positive Input 6    |      | R1      | 44      | 36      | 25      |
| CMP4_LP1           | I        | CMPSS-4 Low Comparator Positive Input 1                                             | 241  | N11     | 66      | 55      |         |
| CMP4_LP2_CMP10_LP6 | I        | CMPSS-4 Low Comparator Positive Input 2, CMPSS-10 Low Comparator Positive Input 6   |      | R3      | 47      | 39      | 28      |
| CMP4_LP3           | I        | CMPSS-4 Low Comparator Positive Input 3                                             |      | R5      | 57      | 49      | 34      |
| CMP4_LP4           | I        | CMPSS-4 Low Comparator Positive Input 4                                             |      | T6      | 60      | 52      |         |
| CMP4_LP5_CMP12_LP6 | I        | CMPSS-4 Low Comparator Positive Input 5, CMPSS-12 Low Comparator Positive Input 6   |      | M4      | 39      | 31      | 20      |
| CMP4_LP6           | I        | CMPSS-4 Low Comparator Positive Input 6                                             | 232  | H2      | 20      | 15      | 11      |
| CMP5_HN0           | I        | CMPSS-5 High Comparator Negative Input 0                                            |      | M6      |         |         |         |
| CMP5_HN1           | I        | CMPSS-5 High Comparator Negative Input 1                                            | 248  | P13     | 73      | 62      |         |
| CMP5_HP0           | I        | CMPSS-5 High Comparator Positive Input 0                                            |      | M7      |         |         |         |
| CMP5_HP1           | I        | CMPSS-5 High Comparator Positive Input 1                                            | 248  | P13     | 73      | 62      |         |
| CMP5_HP2           | I        | CMPSS-5 High Comparator Positive Input 2                                            | 249  | N13     | 74      | 63      |         |
| CMP5_HP4_CMP8_HP3  | I        | CMPSS-5 High Comparator Positive Input 4, CMPSS-8 High Comparator Positive Input 3  | 226  | H4      | 22      | 16      |         |
| CMP5_HP5           | I        | CMPSS-5 High Comparator Positive Input 5                                            | 237  | M9      | 64      |         |         |
| CMP5_LN0           | I        | CMPSS-5 Low Comparator Negative Input 0                                             |      | M6      |         |         |         |

**Table 5-2. Analog Signals (continued)**

| SIGNAL NAME        | PIN TYPE | DESCRIPTION                                                                         | GPIO | 256 ZEX | 176 PTS | 144 RFS | 100 PZS |
|--------------------|----------|-------------------------------------------------------------------------------------|------|---------|---------|---------|---------|
| CMP5_LN1           | I        | CMPSS-5 Low Comparator Negative Input 1                                             | 248  | P13     | 73      | 62      |         |
| CMP5_LP0           | I        | CMPSS-5 Low Comparator Positive Input 0                                             |      | M7      |         |         |         |
| CMP5_LP1           | I        | CMPSS-5 Low Comparator Positive Input 1                                             | 248  | P13     | 73      | 62      |         |
| CMP5_LP2           | I        | CMPSS-5 Low Comparator Positive Input 2                                             | 249  | N13     | 74      | 63      |         |
| CMP5_LP3           | I        | CMPSS-5 Low Comparator Positive Input 3                                             | 240  | N10     | 65      |         |         |
| CMP5_LP4           | I        | CMPSS-5 Low Comparator Positive Input 4                                             | 234  | G2      | 16      | 13      |         |
| CMP5_LP5           | I        | CMPSS-5 Low Comparator Positive Input 5                                             |      | T8      |         |         |         |
| CMP6_HN0           | I        | CMPSS-6 High Comparator Negative Input 0                                            | 245  | T13     | 76      |         |         |
| CMP6_HN1           | I        | CMPSS-6 High Comparator Negative Input 1                                            |      | T11     |         |         |         |
| CMP6_HP0           | I        | CMPSS-6 High Comparator Positive Input 0                                            | 244  | R13     | 75      |         |         |
| CMP6_HP1           | I        | CMPSS-6 High Comparator Positive Input 1                                            |      | T11     |         |         |         |
| CMP6_HP2           | I        | CMPSS-6 High Comparator Positive Input 2                                            |      | P10     |         |         |         |
| CMP6_HP4           | I        | CMPSS-6 High Comparator Positive Input 4                                            | 227  | H3      | 21      |         |         |
| CMP6_HP5_CMP12_HP0 | I        | CMPSS-6 High Comparator Positive Input 5, CMPSS-12 High Comparator Positive Input 0 | 238  | N12     | 69      | 58      | 40      |
| CMP6_HP6           | I        | CMPSS-6 High Comparator Positive Input 6                                            |      | P3      | 49      | 41      | 30      |
| CMP6_LN0           | I        | CMPSS-6 Low Comparator Negative Input 0                                             | 245  | T13     | 76      |         |         |
| CMP6_LN1           | I        | CMPSS-6 Low Comparator Negative Input 1                                             |      | T11     |         |         |         |
| CMP6_LP0           | I        | CMPSS-6 Low Comparator Positive Input 0                                             | 244  | R13     | 75      |         |         |
| CMP6_LP1           | I        | CMPSS-6 Low Comparator Positive Input 1                                             |      | T11     |         |         |         |
| CMP6_LP2           | I        | CMPSS-6 Low Comparator Positive Input 2                                             |      | P10     |         |         |         |
| CMP6_LP4           | I        | CMPSS-6 Low Comparator Positive Input 4                                             | 235  | G1      | 15      | 12      |         |
| CMP6_LP5           | I        | CMPSS-6 Low Comparator Positive Input 5                                             |      | N7      |         |         |         |
| CMP6_LP6_CMP12_LP5 | I        | CMPSS-6 Low Comparator Positive Input 6, CMPSS-12 Low Comparator Positive Input 5   |      | P3      | 49      | 41      | 30      |
| CMP7_HN0           | I        | CMPSS-7 High Comparator Negative Input 0                                            |      | R5      | 57      | 49      | 34      |
| CMP7_HN1           | I        | CMPSS-7 High Comparator Negative Input 1                                            |      | K4      | 30      | 22      |         |

**Table 5-2. Analog Signals (continued)**

| SIGNAL NAME        | PIN TYPE | DESCRIPTION                                                                         | GPIO | 256 ZEX | 176 PTS | 144 RFS | 100 PZS |
|--------------------|----------|-------------------------------------------------------------------------------------|------|---------|---------|---------|---------|
| CMP7_HP0_CMP3_HP6  | I        | CMPSS-7 High Comparator Positive Input 0, CMPSS-3 High Comparator Positive Input 6  |      | T3      | 48      | 40      | 29      |
| CMP7_HP1           | I        | CMPSS-7 High Comparator Positive Input 1                                            |      | K4      | 30      | 22      |         |
| CMP7_HP2           | I        | CMPSS-7 High Comparator Positive Input 2                                            |      | K3      | 29      | 21      |         |
| CMP7_HP4           | I        | CMPSS-7 High Comparator Positive Input 4                                            | 228  | G3      | 18      |         |         |
| CMP7_HP5_CMP9_HP3  | I        | CMPSS-7 High Comparator Positive Input 5, CMPSS-9 High Comparator Positive Input 3  | 239  | P12     | 70      | 59      | 41      |
| CMP7_HP6           | I        | CMPSS-7 High Comparator Positive Input 6                                            |      | P1      | 43      | 35      | 24      |
| CMP7_LN0           | I        | CMPSS-7 Low Comparator Negative Input 0                                             |      | R5      | 57      | 49      | 34      |
| CMP7_LN1           | I        | CMPSS-7 Low Comparator Negative Input 1                                             |      | K4      | 30      | 22      |         |
| CMP7_LP1           | I        | CMPSS-7 Low Comparator Positive Input 1                                             |      | K4      | 30      | 22      |         |
| CMP7_LP2           | I        | CMPSS-7 Low Comparator Positive Input 2                                             |      | K3      | 29      | 21      |         |
| CMP7_LP4           | I        | CMPSS-7 Low Comparator Positive Input 4                                             |      | J2      |         |         |         |
| CMP7_LP5           | I        | CMPSS-7 Low Comparator Positive Input 5                                             |      | P7      |         |         |         |
| CMP7_LP6           | I        | CMPSS-7 Low Comparator Positive Input 6                                             |      | P1      | 43      | 35      | 24      |
| CMP8_HN0           | I        | CMPSS-8 High Comparator Negative Input 0                                            | 240  | N10     | 65      |         |         |
| CMP8_HN1           | I        | CMPSS-8 High Comparator Negative Input 1                                            | 246  | P11     | 67      | 56      | 38      |
| CMP8_HP0_CMP10_HP3 | I        | CMPSS-8 High Comparator Positive Input 0, CMPSS-10 High Comparator Positive Input 3 |      | R6      | 58      | 50      | 35      |
| CMP8_HP1           | I        | CMPSS-8 High Comparator Positive Input 1                                            | 246  | P11     | 67      | 56      | 38      |
| CMP8_HP2           | I        | CMPSS-8 High Comparator Positive Input 2                                            | 247  | R11     | 68      | 57      | 39      |
| CMP8_HP4           | I        | CMPSS-8 High Comparator Positive Input 4                                            | 229  | G4      | 17      |         |         |
| CMP8_HP5           | I        | CMPSS-8 High Comparator Positive Input 5                                            |      | N8      |         |         |         |
| CMP8_LN0           | I        | CMPSS-8 Low Comparator Negative Input 0                                             | 240  | N10     | 65      |         |         |
| CMP8_LN1           | I        | CMPSS-8 Low Comparator Negative Input 1                                             | 246  | P11     | 67      | 56      | 38      |
| CMP8_LP1           | I        | CMPSS-8 Low Comparator Positive Input 1                                             | 246  | P11     | 67      | 56      | 38      |
| CMP8_LP2           | I        | CMPSS-8 Low Comparator Positive Input 2                                             | 247  | R11     | 68      | 57      | 39      |
| CMP8_LP3           | I        | CMPSS-8 Low Comparator Positive Input 3                                             | 226  | H4      | 22      | 16      |         |

**Table 5-2. Analog Signals (continued)**

| SIGNAL NAME        | PIN TYPE | DESCRIPTION                                                                         | GPIO | 256 ZEX | 176 PTS | 144 RFS | 100 PZS |
|--------------------|----------|-------------------------------------------------------------------------------------|------|---------|---------|---------|---------|
| CMP8_LP4           | I        | CMPSS-8 Low Comparator Positive Input 4                                             |      | J1      |         |         |         |
| CMP8_LP5           | I        | CMPSS-8 Low Comparator Positive Input 5                                             |      | N6      |         |         |         |
| CMP8_LP6           | I        | CMPSS-8 Low Comparator Positive Input 6                                             | 233  | H1      | 19      | 14      | 10      |
| CMP9_HN0           | I        | CMPSS-9 High Comparator Negative Input 0                                            |      | M1      | 36      | 28      |         |
| CMP9_HN1           | I        | CMPSS-9 High Comparator Negative Input 1                                            |      | T9      |         |         |         |
| CMP9_HP1           | I        | CMPSS-9 High Comparator Positive Input 1                                            |      | N4      | 51      | 43      |         |
| CMP9_HP2           | I        | CMPSS-9 High Comparator Positive Input 2                                            | 225  | K5      | 25      | 17      | 12      |
| CMP9_HP4           | I        | CMPSS-9 High Comparator Positive Input 4                                            | 230  | J5      | 24      |         |         |
| CMP9_HP5           | I        | CMPSS-9 High Comparator Positive Input 5                                            |      | J4      |         |         |         |
| CMP9_LN0           | I        | CMPSS-9 Low Comparator Negative Input 0                                             |      | M1      | 36      | 28      |         |
| CMP9_LN1           | I        | CMPSS-9 Low Comparator Negative Input 1                                             |      | T9      |         |         |         |
| CMP9_LP1           | I        | CMPSS-9 Low Comparator Positive Input 1                                             |      | N4      | 51      | 43      |         |
| CMP9_LP2           | I        | CMPSS-9 Low Comparator Positive Input 2                                             | 225  | K5      | 25      | 17      | 12      |
| CMP9_LP3           | I        | CMPSS-9 Low Comparator Positive Input 3                                             | 239  | P12     | 70      | 59      | 41      |
| CMP9_LP4           | I        | CMPSS-9 Low Comparator Positive Input 4                                             |      | M5      | 52      | 44      |         |
| CMP9_LP5           | I        | CMPSS-9 Low Comparator Positive Input 5                                             |      | P6      |         |         |         |
| CMP10_HN0          | I        | CMPSS-10 High Comparator Negative Input 0                                           |      | T10     |         |         |         |
| CMP10_HN1          | I        | CMPSS-10 High Comparator Negative Input 1                                           |      | M7      |         |         |         |
| CMP10_HP0_CMP5_HP6 | I        | CMPSS-10 High Comparator Positive Input 0, CMPSS-5 High Comparator Positive Input 6 |      | R2      | 45      | 37      | 26      |
| CMP10_HP1          | I        | CMPSS-10 High Comparator Positive Input 1                                           |      | R10     |         |         |         |
| CMP10_HP2          | I        | CMPSS-10 High Comparator Positive Input 2                                           |      | P9      |         |         |         |
| CMP10_HP4          | I        | CMPSS-10 High Comparator Positive Input 4                                           | 231  | H5      | 23      |         |         |
| CMP10_HP5          | I        | CMPSS-10 High Comparator Positive Input 5                                           |      | J3      |         |         |         |
| CMP10_LN0          | I        | CMPSS-10 Low Comparator Negative Input 0                                            |      | T10     |         |         |         |
| CMP10_LN1          | I        | CMPSS-10 Low Comparator Negative Input 1                                            |      | M7      |         |         |         |

**Table 5-2. Analog Signals (continued)**

| SIGNAL NAME         | PIN TYPE | DESCRIPTION                                                                          | GPIO | 256 ZEX | 176 PTS | 144 RFS | 100 PZS |
|---------------------|----------|--------------------------------------------------------------------------------------|------|---------|---------|---------|---------|
| CMP10_LP0_CMP5_LP6  | I        | CMPSS-10 Low Comparator Positive Input 0, CMPSS-5 Low Comparator Positive Input 6    |      | R2      | 45      | 37      | 26      |
| CMP10_LP1           | I        | CMPSS-10 Low Comparator Positive Input 1                                             |      | R10     |         |         |         |
| CMP10_LP2           | I        | CMPSS-10 Low Comparator Positive Input 2                                             |      | P9      |         |         |         |
| CMP10_LP3_CMP8_LP0  | I        | CMPSS-10 Low Comparator Positive Input 3, CMPSS-8 Low Comparator Positive Input 0    |      | R6      | 58      | 50      | 35      |
| CMP10_LP4           | I        | CMPSS-10 Low Comparator Positive Input 4                                             |      | P5      | 55      | 47      |         |
| CMP10_LP5           | I        | CMPSS-10 Low Comparator Positive Input 5                                             |      | R7      |         |         |         |
| CMP11_HN0           | I        | CMPSS-11 High Comparator Negative Input 0                                            | 230  | J5      | 24      |         |         |
| CMP11_HN1           | I        | CMPSS-11 High Comparator Negative Input 1                                            |      | N4      | 51      | 43      |         |
| CMP11_HP0_CMP9_HP0  | I        | CMPSS-11 High Comparator Positive Input 0, CMPSS-9 High Comparator Positive Input 0  |      | T2      | 46      | 38      | 27      |
| CMP11_HP1           | I        | CMPSS-11 High Comparator Positive Input 1                                            |      | R9      |         |         |         |
| CMP11_HP2           | I        | CMPSS-11 High Comparator Positive Input 2                                            |      | N9      |         |         |         |
| CMP11_HP4_CMP4_HP6  | I        | CMPSS-11 High Comparator Positive Input 4, CMPSS-4 High Comparator Positive Input 6  | 232  | H2      | 20      | 15      | 11      |
| CMP11_HP5           | I        | CMPSS-11 High Comparator Positive Input 5                                            |      | P8      |         |         |         |
| CMP11_LN0           | I        | CMPSS-11 Low Comparator Negative Input 0                                             | 230  | J5      | 24      |         |         |
| CMP11_LN1           | I        | CMPSS-11 Low Comparator Negative Input 1                                             |      | N4      | 51      | 43      |         |
| CMP11_LP0_CMP9_LP0  | I        | CMPSS-11 Low Comparator Positive Input 0, CMPSS-9 Low Comparator Positive Input 0    |      | T2      | 46      | 38      | 27      |
| CMP11_LP1           | I        | CMPSS-11 Low Comparator Positive Input 1                                             |      | R9      |         |         |         |
| CMP11_LP2           | I        | CMPSS-11 Low Comparator Positive Input 2                                             |      | N9      |         |         |         |
| CMP11_LP4           | I        | CMPSS-11 Low Comparator Positive Input 4                                             |      | N5      | 56      | 48      |         |
| CMP11_LP5           | I        | CMPSS-11 Low Comparator Positive Input 5                                             |      | T7      |         |         |         |
| CMP12_HN0           | I        | CMPSS-12 High Comparator Negative Input 0                                            | 224  | L5      | 26      | 18      | 13      |
| CMP12_HP1_CMP11_HP3 | I        | CMPSS-12 High Comparator Positive Input 1, CMPSS-11 High Comparator Positive Input 3 |      | P4      | 50      | 42      | 31      |
| CMP12_HP4_CMP8_HP6  | I        | CMPSS-12 High Comparator Positive Input 4, CMPSS-8 High Comparator Positive Input 6  | 233  | H1      | 19      | 14      | 10      |

**Table 5-2. Analog Signals (continued)**

| SIGNAL NAME         | PIN TYPE | DESCRIPTION                                                                         | GPIO | 256 ZEX | 176 PTS | 144 RFS | 100 PZS |
|---------------------|----------|-------------------------------------------------------------------------------------|------|---------|---------|---------|---------|
| CMP12_HP5           | I        | CMPSS-12 High Comparator Positive Input 5                                           |      | R8      |         |         |         |
| CMP12_LN0           | I        | CMPSS-12 Low Comparator Negative Input 0                                            | 224  | L5      | 26      | 18      | 13      |
| CMP12_LN1_CMP12_HN1 | I        | CMPSS-12 Low Comparator Negative Input 1, CMPSS-12 High Comparator Negative Input 1 |      | N3      | 41      | 33      | 22      |
| CMP12_LP0           | I        | CMPSS-12 Low Comparator Positive Input 0                                            | 238  | N12     | 69      | 58      | 40      |
| CMP12_LP1_CMP11_LP3 | I        | CMPSS-12 Low Comparator Positive Input 1, CMPSS-11 Low Comparator Positive Input 3  |      | P4      | 50      | 42      | 31      |
| CMP12_LP4           | I        | CMPSS-12 Low Comparator Positive Input 4                                            | 236  | M8      | 63      |         |         |
| D0                  | I        | ADC-D Input 0                                                                       |      | R3      | 47      | 39      | 28      |
| D1                  | I        | ADC-D Input 1                                                                       |      | T3      | 48      | 40      | 29      |
| D2                  | I        | ADC-D Input 2                                                                       |      | R5      | 57      | 49      | 34      |
| D3                  | I        | ADC-D Input 3                                                                       |      | R6      | 58      | 50      | 35      |
| D4                  | I        | ADC-D Input 4                                                                       | 240  | N10     | 65      |         |         |
| D5                  | I        | ADC-D Input 5                                                                       | 241  | N11     | 66      | 55      |         |
| D6                  | I        | ADC-D Input 6                                                                       | 242  | T12     | 71      | 60      |         |
| D7                  | I        | ADC-D Input 7                                                                       | 243  | R12     | 72      | 61      |         |
| D8                  | I        | ADC-D Input 8                                                                       | 244  | R13     | 75      |         |         |
| D9                  | I        | ADC-D Input 9                                                                       | 245  | T13     | 76      |         |         |
| D10                 | I        | ADC-D Input 10                                                                      |      | N6      |         |         |         |
| D11                 | I        | ADC-D Input 11                                                                      |      | P6      |         |         |         |
| D12                 | I        | ADC-D Input 12                                                                      |      | M7      |         |         |         |
| D13                 | I        | ADC-D Input 13                                                                      |      | M6      |         |         |         |
| D14                 | I        | ADC-D Input 14                                                                      |      | M3      | 40      | 32      | 21      |
| D15                 | I        | ADC-D Input 15                                                                      |      | M4      | 39      | 31      | 20      |
| D16                 | I        | ADC-D Input 16                                                                      |      | R7      |         |         |         |
| D17                 | I        | ADC-D Input 17                                                                      |      | T7      |         |         |         |
| D24                 | I        | ADC-D Input 24                                                                      |      | M1      | 36      | 28      |         |
| D25                 | I        | ADC-D Input 25                                                                      |      | M2      | 35      | 27      |         |
| D26                 | I        | ADC-D Input 26                                                                      |      | L4      | 34      | 26      | 17      |
| D27                 | I        | ADC-D Input 27                                                                      |      | L3      | 33      | 25      | 16      |
| D28                 | I        | ADC-D Input 28                                                                      |      | L2      | 32      | 24      |         |
| D29                 | I        | ADC-D Input 29                                                                      |      | L1      | 31      | 23      |         |
| D30                 | I        | ADC-D Input 30                                                                      |      | K4      | 30      | 22      |         |
| D31                 | I        | ADC-D Input 31                                                                      |      | K3      | 29      | 21      |         |
| DACA_OUT            | O        | Buffered DAC-A Output.                                                              |      | R1      | 44      | 36      | 25      |
| DACB_OUT            | O        | Buffered DAC-B Output.                                                              |      | P3      | 49      | 41      | 30      |
| E0                  | I        | ADC-E Input 0                                                                       |      | P3      | 49      | 41      | 30      |
| E1                  | I        | ADC-E Input 1                                                                       |      | P4      | 50      | 42      | 31      |
| E2                  | I        | ADC-E Input 2                                                                       |      | T5      | 59      | 51      |         |
| E3                  | I        | ADC-E Input 3                                                                       |      | T6      | 60      | 52      |         |
| E4                  | I        | ADC-E Input 4                                                                       | 246  | P11     | 67      | 56      | 38      |

**Table 5-2. Analog Signals (continued)**

| SIGNAL NAME | PIN TYPE | DESCRIPTION                                                                                                                                                                                                                                                                                                                                                              | GPIO | 256 ZEX | 176 PTS | 144 RFS | 100 PZS |
|-------------|----------|--------------------------------------------------------------------------------------------------------------------------------------------------------------------------------------------------------------------------------------------------------------------------------------------------------------------------------------------------------------------------|------|---------|---------|---------|---------|
| E5          | I        | ADC-E Input 5                                                                                                                                                                                                                                                                                                                                                            | 247  | R11     | 68      | 57      | 39      |
| E6          | I        | ADC-E Input 6                                                                                                                                                                                                                                                                                                                                                            | 248  | P13     | 73      | 62      |         |
| E7          | I        | ADC-E Input 7                                                                                                                                                                                                                                                                                                                                                            | 249  | N13     | 74      | 63      |         |
| E8          | I        | ADC-E Input 8                                                                                                                                                                                                                                                                                                                                                            |      | T10     |         |         |         |
| E9          | I        | ADC-E Input 9                                                                                                                                                                                                                                                                                                                                                            |      | T9      |         |         |         |
| E10         | I        | ADC-E Input 10                                                                                                                                                                                                                                                                                                                                                           |      | R10     |         |         |         |
| E11         | I        | ADC-E Input 11                                                                                                                                                                                                                                                                                                                                                           |      | R9      |         |         |         |
| E12         | I        | ADC-E Input 12                                                                                                                                                                                                                                                                                                                                                           |      | P9      |         |         |         |
| E13         | I        | ADC-E Input 13                                                                                                                                                                                                                                                                                                                                                           |      | N9      |         |         |         |
| E14         | I        | ADC-E Input 14                                                                                                                                                                                                                                                                                                                                                           |      | M3      | 40      | 32      | 21      |
| E15         | I        | ADC-E Input 15                                                                                                                                                                                                                                                                                                                                                           |      | M4      | 39      | 31      | 20      |
| E16         | I        | ADC-E Input 16                                                                                                                                                                                                                                                                                                                                                           |      | P10     |         |         |         |
| E17         | I        | ADC-E Input 17                                                                                                                                                                                                                                                                                                                                                           |      | T11     |         |         |         |
| E24         | I        | ADC-E Input 24                                                                                                                                                                                                                                                                                                                                                           | 224  | L5      | 26      | 18      | 13      |
| E25         | I        | ADC-E Input 25                                                                                                                                                                                                                                                                                                                                                           | 225  | K5      | 25      | 17      | 12      |
| E26         | I        | ADC-E Input 26                                                                                                                                                                                                                                                                                                                                                           | 230  | J5      | 24      |         |         |
| E27         | I        | ADC-E Input 27                                                                                                                                                                                                                                                                                                                                                           | 231  | H5      | 23      |         |         |
| E28         | I        | ADC-E Input 28                                                                                                                                                                                                                                                                                                                                                           |      | R2      | 45      | 37      | 26      |
| E29         | I        | ADC-E Input 29                                                                                                                                                                                                                                                                                                                                                           |      | T2      | 46      | 38      | 27      |
| E30         | I        | ADC-E Input 30                                                                                                                                                                                                                                                                                                                                                           |      | N4      | 51      | 43      |         |
| E31         | I        | ADC-E Input 31                                                                                                                                                                                                                                                                                                                                                           |      | M5      | 52      | 44      |         |
| VDAC        | I        | Optional external reference voltage for on-chip DACs.                                                                                                                                                                                                                                                                                                                    |      | P2      | 42      | 34      | 23      |
| VREFHIAB    | I        | ADC-AB high reference. This voltage must be driven into the pin from external circuitry. Place at least a 2.2- $\mu$ F capacitor on this pin for the 12-bit mode, or at least a 22- $\mu$ F capacitor for the 16-bit mode. This capacitor should be placed as close to the device as possible between the VREFHI and VREFLO pins. NOTE: Do not load this pin externally  |      | N2      | 38      | 30      | 19      |
| VREFHCDE    | I        | ADC-CDE high reference. This voltage must be driven into the pin from external circuitry. Place at least a 2.2- $\mu$ F capacitor on this pin for the 12-bit mode, or at least a 22- $\mu$ F capacitor for the 16-bit mode. This capacitor should be placed as close to the device as possible between the VREFHI and VREFLO pins. NOTE: Do not load this pin externally |      | R4      | 54      | 46      | 33      |
| VREFLOAB    | I        | ADC-AB Low Reference                                                                                                                                                                                                                                                                                                                                                     |      | N1      | 37      | 29      | 18      |
| VREFLOCDE   | I        | ADC-CDE Low Reference                                                                                                                                                                                                                                                                                                                                                    |      | T4      | 53      | 45      | 32      |

### 5.3.2 Digital Signals

Table 5-3. Digital Signals

| SIGNAL NAME     | PIN TYPE | DESCRIPTION                                                           | GPIO                    | 256 ZEX                | 176 PTS       | 144 RFS  | 100 PZS |
|-----------------|----------|-----------------------------------------------------------------------|-------------------------|------------------------|---------------|----------|---------|
| ADCA_EXTMUXSEL0 | O        | External ADC selection Mux output                                     | 224                     | L5                     | 26            | 18       | 13      |
| ADCA_EXTMUXSEL1 | O        | External ADC selection Mux output                                     | 225                     | K5                     | 25            | 17       | 12      |
| ADCA_EXTMUXSEL2 | O        | External ADC selection Mux output                                     | 10, 226                 | C5, H4                 | 22, 172       | 16, 140  | 98      |
| ADCA_EXTMUXSEL3 | O        | External ADC selection Mux output                                     | 15, 227                 | C4, H3                 | 1, 21         | 1        | 1       |
| ADCB_EXTMUXSEL0 | O        | External ADC selection Mux output                                     | 18, 230                 | F2, J5                 | 13, 24        | 10       | 8       |
| ADCB_EXTMUXSEL1 | O        | External ADC selection Mux output                                     | 22, 231                 | F1, H5                 | 14, 23        | 11       | 9       |
| ADCB_EXTMUXSEL2 | O        | External ADC selection Mux output                                     | 232                     | H2                     | 20            | 15       | 11      |
| ADCB_EXTMUXSEL3 | O        | External ADC selection Mux output                                     | 233                     | H1                     | 19            | 14       | 10      |
| ADCC_EXTMUXSEL0 | O        | External ADC selection Mux output                                     | 23, 236                 | B8, M8                 | 63, 159       | 127      | 87      |
| ADCC_EXTMUXSEL1 | O        | External ADC selection Mux output                                     | 29, 237                 | A9, M9                 | 64, 151       | 121      | 84      |
| ADCC_EXTMUXSEL2 | O        | External ADC selection Mux output                                     | 238                     | N12                    | 69            | 58       | 40      |
| ADCC_EXTMUXSEL3 | O        | External ADC selection Mux output                                     | 239                     | P12                    | 70            | 59       | 41      |
| ADCD_EXTMUXSEL0 | O        | External ADC selection Mux output                                     | 63, 240                 | H14, N10               | 65, 110       | 91       | 59      |
| ADCD_EXTMUXSEL1 | O        | External ADC selection Mux output                                     | 64, 241                 | H15, N11               | 66, 111       | 55, 92   | 60      |
| ADCD_EXTMUXSEL2 | O        | External ADC selection Mux output                                     | 65, 242                 | H16, T12               | 71, 112       | 60, 93   | 61      |
| ADCD_EXTMUXSEL3 | O        | External ADC selection Mux output                                     | 66, 243                 | G13, R12               | 72, 113       | 61, 94   | 62      |
| ADCE_EXTMUXSEL0 | O        | External ADC selection Mux output                                     | 246                     | P11                    | 67            | 56       | 38      |
| ADCE_EXTMUXSEL1 | O        | External ADC selection Mux output                                     | 247                     | R11                    | 68            | 57       | 39      |
| ADCE_EXTMUXSEL2 | O        | External ADC selection Mux output                                     | 42, 248                 | C16, P13               | 73, 130       | 62, 107  | 74      |
| ADCE_EXTMUXSEL3 | O        | External ADC selection Mux output                                     | 43, 249                 | C15, N13               | 74, 131       | 63, 108  | 75      |
| ADCSOAO         | O        | ADC Start of Conversion A Output for External ADC (from ePWM modules) | 8, 12                   | A3, D6                 | 170, 174      | 138, 142 | 96, 100 |
| ADCSOAO         | O        | ADC Start of Conversion B Output for External ADC (from ePWM modules) | 10, 19                  | B1, C5                 | 5, 172        | 5, 140   | 98      |
| EMIF1_A0        | O        | External memory interface 1 address line 0                            | 35, 38                  | E1, E14                | 10, 125       | 104      | 72      |
| EMIF1_A1        | O        | External memory interface 1 address line 1                            | 12, 36, 39              | A3, N14, P15           | 86, 174       | 142      | 100     |
| EMIF1_A2        | O        | External memory interface 1 address line 2                            | 37, 40, 42              | C16, P16, R16          | 85, 87, 130   | 107      | 74      |
| EMIF1_A3        | O        | External memory interface 1 address line 3                            | 38, 41                  | E14, N15               | 89, 125       | 73, 104  | 50, 72  |
| EMIF1_A4        | O        | External memory interface 1 address line 4                            | 39, 43, 44              | C15, G14, P15          | 86, 114, 131  | 108      | 75      |
| EMIF1_A5        | O        | External memory interface 1 address line 5                            | 45, 49, 101             | B5, G15, M15           | 92, 116       | 75       |         |
| EMIF1_A6        | O        | External memory interface 1 address line 6                            | 46, 50                  | D14, M14               | 93, 128       | 76       |         |
| EMIF1_A7        | O        | External memory interface 1 address line 7                            | 47, 51                  | D15, M13               | 94, 129       | 77       |         |
| EMIF1_A8        | O        | External memory interface 1 address line 8                            | 48, 52                  | L14, N16               | 90, 95        | 78       |         |
| EMIF1_A9        | O        | External memory interface 1 address line 9                            | 49, 53                  | L15, M15               | 92, 96        | 75, 79   |         |
| EMIF1_A10       | O        | External memory interface 1 address line 10                           | 50, 54                  | L16, M14               | 93, 97        | 76, 80   |         |
| EMIF1_A11       | O        | External memory interface 1 address line 11                           | 51, 127                 | F13, M13               | 94, 118       | 77, 97   | 64      |
| EMIF1_A12       | O        | External memory interface 1 address line 12                           | 30, 52                  | A10, L14               | 95, 150       | 78, 120  | 83      |
| EMIF1_A13       | O        | External memory interface 1 address line 13                           | 0, 42, 86               | A8, C11, C16           | 130, 160      | 107, 128 | 74, 88  |
| EMIF1_A14       | O        | External memory interface 1 address line 14                           | 1, 87                   | A7, C10                | 161           | 129      | 89      |
| EMIF1_A15       | O        | External memory interface 1 address line 15                           | 2, 88                   | B7, C3                 | 162           | 130      | 90      |
| EMIF1_A16       | O        | External memory interface 1 address line 16                           | 3, 89                   | C7, D4                 | 163           | 131      | 91      |
| EMIF1_A17       | O        | External memory interface 1 address line 17                           | 4, 90                   | D3, D7                 | 164           | 132      | 92      |
| EMIF1_A18       | O        | External memory interface 1 address line 18                           | 5, 91                   | A6, D2                 | 165           | 133      | 93      |
| EMIF1_A19       | O        | External memory interface 1 address line 19                           | 92, 219                 | E2, M16                | 91            | 74       | 51      |
| EMIF1_BA0       | O        | External memory interface 1 bank address 0                            | 16, 20, 33, 93, 103     | C1, D5, D16, E3, P14   | 2, 6, 126     | 2, 105   | 2       |
| EMIF1_BA1       | O        | External memory interface 1 bank address 1                            | 17, 21, 34, 92, 94, 100 | B2, B4, C2, D1, E2, E4 | 4, 7, 9       | 4, 7     | 4       |
| EMIF1_CAS       | O        | External memory interface 1 column address strobe                     | 7, 86, 89, 221          | C6, C11, D4, F16       | 121, 167      | 100, 135 | 68      |
| EMIF1_CLK       | O        | External memory interface 1 clock                                     | 6, 30                   | A10, B6                | 150, 166      | 120, 134 | 83, 94  |
| EMIF1_CS0n      | O        | External memory interface 1 chip select 0                             | 13, 32                  | A2, G16                | 117, 175      | 96, 143  |         |
| EMIF1_CS2n      | O        | External memory interface 1 chip select 2                             | 28, 34, 38              | D1, D9, E14            | 9, 125, 154   | 7, 104   | 72      |
| EMIF1_CS3n      | O        | External memory interface 1 chip select 3                             | 19, 35                  | B1, E1                 | 5, 10         | 5        |         |
| EMIF1_CS4n      | O        | External memory interface 1 chip select 4                             | 28, 30, 84              | A10, D9, D11           | 148, 150, 154 | 119, 120 | 81, 83  |

**Table 5-3. Digital Signals (continued)**

| SIGNAL NAME | PIN TYPE | DESCRIPTION                                              | GPIO               | 256 ZEX             | 176 PTS            | 144 RFS            | 100 PZS |
|-------------|----------|----------------------------------------------------------|--------------------|---------------------|--------------------|--------------------|---------|
| EMIF1_D0    | I/O      | External memory interface 1 data line 0                  | 0, 55, 60, 85      | A8, B11, J15, K13   | 99, 106, 160       | 88, 128            | 56, 88  |
| EMIF1_D1    | I/O      | External memory interface 1 data line 1                  | 56, 83, 84         | A11, D11, K14       | 100, 148           | 82, 119            | 81      |
| EMIF1_D2    | I/O      | External memory interface 1 data line 2                  | 57, 82             | D10, K15            | 102                | 84                 |         |
| EMIF1_D3    | I/O      | External memory interface 1 data line 3                  | 1, 81, 103         | A7, A12, D16        | 126, 161           | 105, 129           | 89      |
| EMIF1_D4    | I/O      | External memory interface 1 data line 4                  | 2, 68, 80          | B7, B12, B15        | 133, 162           | 109, 130           | 90      |
| EMIF1_D5    | I/O      | External memory interface 1 data line 5                  | 3, 71, 79          | B14, C7, C12        | 136, 146, 163      | 111, 131           | 77, 91  |
| EMIF1_D6    | I/O      | External memory interface 1 data line 6                  | 61, 78             | D12, J13            | 108, 145           | 89, 117            | 57      |
| EMIF1_D7    | I/O      | External memory interface 1 data line 7                  | 62, 77             | A13, H13            | 109, 144           | 90, 116            | 58      |
| EMIF1_D8    | I/O      | External memory interface 1 data line 8                  | 76                 | B13                 | 143                | 115                |         |
| EMIF1_D9    | I/O      | External memory interface 1 data line 9                  | 4, 13, 75          | A2, C13, D7         | 142, 164, 175      | 132, 143           | 92      |
| EMIF1_D10   | I/O      | External memory interface 1 data line 10                 | 5, 74              | A6, D13             | 141, 165           | 133                | 93      |
| EMIF1_D11   | I/O      | External memory interface 1 data line 11                 | 9, 73              | A5, E13             | 140, 171           | 139                | 97      |
| EMIF1_D12   | I/O      | External memory interface 1 data line 12                 | 72                 | A14                 | 139                | 114                | 80      |
| EMIF1_D13   | I/O      | External memory interface 1 data line 13                 | 14, 43, 68, 71     | B3, B14, B15, C15   | 131, 133, 136, 176 | 108, 109, 111, 144 | 75, 77  |
| EMIF1_D14   | I/O      | External memory interface 1 data line 14                 | 70                 | C14                 | 135                | 110                | 76      |
| EMIF1_D15   | I/O      | External memory interface 1 data line 15                 | 11, 69             | A4, A15             | 134, 173           | 141                | 99      |
| EMIF1_D16   | I/O      | External memory interface 1 data line 16                 | 68                 | B15                 | 133                | 109                |         |
| EMIF1_D17   | I/O      | External memory interface 1 data line 17                 | 14, 67, 99         | B3, B16, G5         | 132, 176           | 144                |         |
| EMIF1_D18   | I/O      | External memory interface 1 data line 18                 | 66, 127            | F13, G13            | 113, 118           | 94, 97             | 62, 64  |
| EMIF1_D19   | I/O      | External memory interface 1 data line 19                 | 65                 | H16                 | 112                | 93                 | 61      |
| EMIF1_D20   | I/O      | External memory interface 1 data line 20                 | 64                 | H15                 | 111                | 92                 | 60      |
| EMIF1_D21   | I/O      | External memory interface 1 data line 21                 | 63                 | H14                 | 110                | 91                 | 59      |
| EMIF1_D22   | I/O      | External memory interface 1 data line 22                 | 62                 | H13                 | 109                | 90                 | 58      |
| EMIF1_D23   | I/O      | External memory interface 1 data line 23                 | 61                 | J13                 | 108                | 89                 | 57      |
| EMIF1_D24   | I/O      | External memory interface 1 data line 24                 | 37, 60, 100        | B4, J15, R16        | 85, 106            | 88                 | 56      |
| EMIF1_D25   | I/O      | External memory interface 1 data line 25                 | 59                 | J16                 | 104                | 86                 | 54      |
| EMIF1_D26   | I/O      | External memory interface 1 data line 26                 | 58                 | K16                 | 103                | 85                 | 53      |
| EMIF1_D27   | I/O      | External memory interface 1 data line 27                 | 57                 | K15                 | 102                | 84                 |         |
| EMIF1_D28   | I/O      | External memory interface 1 data line 28                 | 56                 | K14                 | 100                | 82                 |         |
| EMIF1_D29   | I/O      | External memory interface 1 data line 29                 | 16, 55             | D5, K13             | 2, 99              | 2                  | 2       |
| EMIF1_D30   | I/O      | External memory interface 1 data line 30                 | 54                 | L16                 | 97                 | 80                 |         |
| EMIF1_D31   | I/O      | External memory interface 1 data line 31                 | 53                 | L15                 | 96                 | 79                 |         |
| EMIF1_DQM0  | O        | External memory interface 1 Input/output mask for byte 0 | 6, 24, 88, 92      | B6, C3, C8, E2      | 158, 166           | 126, 134           | 94      |
| EMIF1_DQM1  | O        | External memory interface 1 Input/output mask for byte 1 | 7, 25, 88, 89      | C3, C6, D4, D8      | 157, 167           | 125, 135           | 86      |
| EMIF1_DQM2  | O        | External memory interface 1 Input/output mask for byte 2 | 20, 26, 85, 90, 91 | B9, B11, C1, D2, D3 | 6, 156             | 124                | 85      |
| EMIF1_DQM3  | O        | External memory interface 1 Input/output mask for byte 3 | 17, 27, 87, 91, 99 | B2, C9, C10, D2, G5 | 4, 155             | 4                  | 4       |
| EMIF1_OEn   | O        | External memory interface 1 output enable                | 32, 37, 66         | G13, G16, R16       | 85, 113, 117       | 94, 96             | 62      |
| EMIF1_RAS   | O        | External memory interface 1 row address strobe           | 8, 87, 90          | C10, D3, D6         | 170                | 138                | 96      |
| EMIF1_RNW   | O        | External memory interface 1 read not write               | 31, 33, 63         | B10, H14, P14       | 110, 149           | 91                 | 59, 82  |
| EMIF1_SDCKE | O        | External memory interface 1 SDRAM clock enable           | 248                | P13                 | 73                 | 62                 |         |
| EMIF1_WAIT  | I        | External memory interface 1 Asynchronous SRAM WAIT       | 36, 55, 64         | H15, K13, N14       | 99, 111            | 92                 | 60      |
| EMIF1_WEn   | O        | External memory interface 1 write enable                 | 31, 36, 65         | B10, H16, N14       | 112, 149           | 93                 | 61, 82  |
| EPWM1_A     | O        | ePWM-1 Output A                                          | 0, 40              | A8, P16             | 87, 160            | 128                | 88      |
| EPWM1_B     | O        | ePWM-1 Output B                                          | 1, 41              | A7, N15             | 89, 161            | 73, 129            | 50, 89  |
| EPWM2_A     | O        | ePWM-2 Output A                                          | 2, 24              | B7, C8              | 158, 162           | 126, 130           | 90      |
| EPWM2_B     | O        | ePWM-2 Output B                                          | 3, 25              | C7, D8              | 157, 163           | 125, 131           | 86, 91  |
| EPWM3_A     | O        | ePWM-3 Output A                                          | 4, 48              | D7, N16             | 90, 164            | 132                | 92      |
| EPWM3_B     | O        | ePWM-3 Output B                                          | 5, 34, 60          | A6, D1, J15         | 9, 106, 165        | 7, 88, 133         | 56, 93  |
| EPWM4_A     | O        | ePWM-4 Output A                                          | 6, 27, 46          | B6, C9, D14         | 128, 155, 166      | 134                | 94      |
| EPWM4_B     | O        | ePWM-4 Output B                                          | 7, 8, 28, 47       | C6, D6, D9, D15     | 129, 154, 167, 170 | 135, 138           | 96      |

**Table 5-3. Digital Signals (continued)**

| SIGNAL NAME | PIN TYPE | DESCRIPTION                                                     | GPIO                              | 256 ZEX                           | 176 PTS                      | 144 RFS            | 100 PZS        |
|-------------|----------|-----------------------------------------------------------------|-----------------------------------|-----------------------------------|------------------------------|--------------------|----------------|
| EPWM5_A     | O        | ePWM-5 Output A                                                 | 8, 59                             | D6, J16                           | 104, 170                     | 86, 138            | 54, 96         |
| EPWM5_B     | O        | ePWM-5 Output B                                                 | 9, 73                             | A5, E13                           | 140, 171                     | 139                | 97             |
| EPWM6_A     | O        | ePWM-6 Output A                                                 | 14, 220                           | B3, E16                           | 123, 176                     | 102, 144           | 70             |
| EPWM6_B     | O        | ePWM-6 Output B                                                 | 11, 221                           | A4, F16                           | 121, 173                     | 100, 141           | 68, 99         |
| EPWM7_A     | O        | ePWM-7 Output A                                                 | 12, 222                           | A3, T14                           | 77, 174                      | 64, 142            | 42, 100        |
| EPWM7_B     | O        | ePWM-7 Output B                                                 | 11, 13, 223                       | A2, A4, R14                       | 78, 173, 175                 | 65, 141, 143       | 43, 99         |
| EPWM8_A     | O        | ePWM-8 Output A                                                 | 10, 58, 74, 99, 236, 241          | C5, D13, G5, K16, M8, N11         | 63, 66, 103, 141, 172        | 55, 85, 140        | 53, 98         |
| EPWM8_B     | O        | ePWM-8 Output B                                                 | 15, 59, 75, 103, 232, 237, 243    | C4, C13, D16, H2, J16, M9, R12    | 1, 20, 64, 72, 104, 126, 142 | 1, 15, 61, 86, 105 | 1, 11, 54      |
| EPWM9_A     | O        | ePWM-9 Output A                                                 | 16, 63, 76, 100                   | B4, B13, D5, H14                  | 2, 110, 143                  | 2, 91, 115         | 2, 59          |
| EPWM9_B     | O        | ePWM-9 Output B                                                 | 17, 64, 77, 235                   | A13, B2, G1, H15                  | 4, 15, 111, 144              | 4, 12, 92, 116     | 4, 60          |
| EPWM10_A    | O        | ePWM-10 Output A                                                | 65, 78, 226                       | D12, H4, H16                      | 22, 112, 145                 | 16, 93, 117        | 61             |
| EPWM10_B    | O        | ePWM-10 Output B                                                | 19, 66, 79, 231                   | B1, C12, G13, H5                  | 5, 23, 113, 146              | 5, 94              | 62             |
| EPWM11_A    | O        | ePWM-11 Output A                                                | 20, 69, 71, 78, 80, 230           | A15, B12, B14, C1, D12, J5        | 6, 24, 134, 136, 145         | 111, 117           | 77             |
| EPWM11_B    | O        | ePWM-11 Output B                                                | 21, 70, 81, 225                   | A12, C2, C14, K5                  | 7, 25, 135                   | 17, 110            | 12, 76         |
| EPWM12_A    | O        | ePWM-12 Output A                                                | 22, 71, 82, 224, 234              | B14, D10, F1, G2, L5              | 14, 16, 26, 136              | 11, 13, 18, 111    | 9, 13, 77      |
| EPWM12_B    | O        | ePWM-12 Output B                                                | 23, 72, 83, 84, 224, 229, 236     | A11, A14, B8, D11, G4, L5, M8     | 17, 26, 63, 139, 148, 159    | 18, 114, 119, 127  | 13, 80, 81, 87 |
| EPWM13_A    | O        | ePWM-13 Output A                                                | 24, 40, 58, 85, 228               | B11, C8, G3, K16, P16             | 18, 87, 103, 158             | 85, 126            | 53             |
| EPWM13_B    | O        | ePWM-13 Output B                                                | 25, 41, 86, 233                   | C11, D8, H1, N15                  | 19, 89, 157                  | 14, 73, 125        | 10, 50, 86     |
| EPWM14_A    | O        | ePWM-14 Output A                                                | 26, 42, 46, 87, 232, 237          | B9, C10, C16, D14, H2, M9         | 20, 64, 128, 130, 156        | 15, 107, 124       | 11, 74, 85     |
| EPWM14_B    | O        | ePWM-14 Output B                                                | 27, 43, 47, 88, 227, 240          | C3, C9, C15, D15, H3, N10         | 21, 65, 129, 131, 155        | 108                | 75             |
| EPWM15_A    | O        | ePWM-15 Output A                                                | 18, 28, 50, 89, 247               | D4, D9, F2, M14, R11              | 13, 68, 93, 154              | 10, 57, 76         | 8, 39          |
| EPWM15_B    | O        | ePWM-15 Output B                                                | 29, 51, 90, 238                   | A9, D3, M13, N12                  | 69, 94, 151                  | 58, 77, 121        | 40, 84         |
| EPWM16_A    | O        | ePWM-16 Output A                                                | 30, 52, 91, 246                   | A10, D2, L14, P11                 | 67, 95, 150                  | 56, 78, 120        | 38, 83         |
| EPWM16_B    | O        | ePWM-16 Output B                                                | 31, 53, 55, 92, 239               | B10, E2, K13, L15, P12            | 70, 96, 99, 149              | 59, 79             | 41, 82         |
| EPWM17_A    | O        | ePWM-17 Output A                                                | 56, 62, 67, 93, 234               | B16, E3, G2, H13, K14             | 16, 100, 109, 132            | 13, 82, 90         | 58             |
| EPWM17_B    | O        | ePWM-17 Output B                                                | 57, 61, 68, 94, 229, 237          | B15, E4, G4, J13, K15, M9         | 17, 64, 102, 108, 133        | 84, 89, 109        | 57             |
| EPWM18_A    | O        | ePWM-18 Output A                                                | 14, 34, 37, 41, 95, 101, 127, 228 | B3, B5, D1, E5, F13, G3, N15, R16 | 9, 18, 85, 89, 118, 176      | 7, 73, 97, 144     | 50, 64         |
| EPWM18_B    | O        | ePWM-18 Output B                                                | 35, 38, 96, 105, 219, 233         | E1, E14, F3, H1, J14, M16         | 10, 19, 91, 125              | 14, 74, 104        | 10, 51, 72     |
| ERRORSTS    | O        | Error Status Output. This signal requires an external pulldown. | 4, 79, 80, 219, 247               | B12, C12, D7, M16, R11            | 68, 91, 146, 164             | 57, 74, 132        | 39, 51, 92     |
| ESC_GPI0    | I        | EtherCAT General-Purpose Input 0                                | 0, 100                            | A8, B4                            | 160                          | 128                | 88             |
| ESC_GPI1    | I        | EtherCAT General-Purpose Input 1                                | 1, 101                            | A7, B5                            | 161                          | 129                | 89             |
| ESC_GPI2    | I        | EtherCAT General-Purpose Input 2                                | 2                                 | B7                                | 162                          | 130                | 90             |
| ESC_GPI3    | I        | EtherCAT General-Purpose Input 3                                | 3, 103                            | C7, D16                           | 126, 163                     | 105, 131           | 91             |
| ESC_GPI4    | I        | EtherCAT General-Purpose Input 4                                | 4                                 | D7                                | 164                          | 132                | 92             |
| ESC_GPI5    | I        | EtherCAT General-Purpose Input 5                                | 5, 105                            | A6, J14                           | 165                          | 133                | 93             |
| ESC_GPI6    | I        | EtherCAT General-Purpose Input 6                                | 6                                 | B6                                | 166                          | 134                | 94             |
| ESC_GPI7    | I        | EtherCAT General-Purpose Input 7                                | 7                                 | C6                                | 167                          | 135                |                |
| ESC_GPI8    | I        | EtherCAT General-Purpose Input 8                                | 219                               | M16                               | 91                           | 74                 | 51             |
| ESC_GPI9    | I        | EtherCAT General-Purpose Input 9                                | 220                               | E16                               | 123                          | 102                | 70             |
| ESC_GPI10   | I        | EtherCAT General-Purpose Input 10                               | 221                               | F16                               | 121                          | 100                | 68             |
| ESC_GPI11   | I        | EtherCAT General-Purpose Input 11                               | 222                               | T14                               | 77                           | 64                 | 42             |
| ESC_GPI12   | I        | EtherCAT General-Purpose Input 12                               | 223                               | R14                               | 78                           | 65                 | 43             |
| ESC_GPI13   | I        | EtherCAT General-Purpose Input 13                               | 65                                | H16                               | 112                          | 93                 | 61             |

**Table 5-3. Digital Signals (continued)**

| SIGNAL NAME | PIN TYPE | DESCRIPTION                        | GPIO       | 256 ZEX      | 176 PTS      | 144 RFS    | 100 PZS |
|-------------|----------|------------------------------------|------------|--------------|--------------|------------|---------|
| ESC_GPI14   | I        | EtherCAT General-Purpose Input 14  | 66         | G13          | 113          | 94         | 62      |
| ESC_GPI15   | I        | EtherCAT General-Purpose Input 15  | 68         | B15          | 133          | 109        |         |
| ESC_GPI16   | I        | EtherCAT General-Purpose Input 16  | 70         | C14          | 135          | 110        | 76      |
| ESC_GPI17   | I        | EtherCAT General-Purpose Input 17  | 76, 97     | B13, F4      | 143          | 115        |         |
| ESC_GPI18   | I        | EtherCAT General-Purpose Input 18  | 78, 98     | D12, F5      | 145          | 117        |         |
| ESC_GPI19   | I        | EtherCAT General-Purpose Input 19  | 10         | C5           | 172          | 140        | 98      |
| ESC_GPI20   | I        | EtherCAT General-Purpose Input 20  | 15         | C4           | 1            | 1          | 1       |
| ESC_GPI21   | I        | EtherCAT General-Purpose Input 21  | 18, 99     | F2, G5       | 13           | 10         | 8       |
| ESC_GPI22   | I        | EtherCAT General-Purpose Input 22  | 22         | F1           | 14           | 11         | 9       |
| ESC_GPI23   | I        | EtherCAT General-Purpose Input 23  | 23         | B8           | 159          | 127        | 87      |
| ESC_GPI24   | I        | EtherCAT General-Purpose Input 24  | 24         | C8           | 158          | 126        |         |
| ESC_GPI25   | I        | EtherCAT General-Purpose Input 25  | 50         | M14          | 93           | 76         |         |
| ESC_GPI26   | I        | EtherCAT General-Purpose Input 26  | 51         | M13          | 94           | 77         |         |
| ESC_GPI27   | I        | EtherCAT General-Purpose Input 27  | 127        | F13          | 118          | 97         | 64      |
| ESC_GPI28   | I        | EtherCAT General-Purpose Input 28  | 53         | L15          | 96           | 79         |         |
| ESC_GPI29   | I        | EtherCAT General-Purpose Input 29  | 54         | L16          | 97           | 80         |         |
| ESC_GPI30   | I        | EtherCAT General-Purpose Input 30  | 56         | K14          | 100          | 82         |         |
| ESC_GPI31   | I        | EtherCAT General-Purpose Input 31  | 57         | K15          | 102          | 84         |         |
| ESC_GPO0    | O        | EtherCAT General-Purpose Output 0  | 8          | D6           | 170          | 138        | 96      |
| ESC_GPO1    | O        | EtherCAT General-Purpose Output 1  | 9          | A5           | 171          | 139        | 97      |
| ESC_GPO2    | O        | EtherCAT General-Purpose Output 2  | 22, 40     | F1, P16      | 14, 87       | 11         | 9       |
| ESC_GPO3    | O        | EtherCAT General-Purpose Output 3  | 11         | A4           | 173          | 141        | 99      |
| ESC_GPO4    | O        | EtherCAT General-Purpose Output 4  | 12         | A3           | 174          | 142        | 100     |
| ESC_GPO5    | O        | EtherCAT General-Purpose Output 5  | 13         | A2           | 175          | 143        |         |
| ESC_GPO6    | O        | EtherCAT General-Purpose Output 6  | 14         | B3           | 176          | 144        |         |
| ESC_GPO7    | O        | EtherCAT General-Purpose Output 7  | 15         | C4           | 1            | 1          | 1       |
| ESC_GPO8    | O        | EtherCAT General-Purpose Output 8  | 224        | L5           | 26           | 18         | 13      |
| ESC_GPO9    | O        | EtherCAT General-Purpose Output 9  | 225        | K5           | 25           | 17         | 12      |
| ESC_GPO10   | O        | EtherCAT General-Purpose Output 10 | 95, 226    | E5, H4       | 22           | 16         |         |
| ESC_GPO11   | O        | EtherCAT General-Purpose Output 11 | 96, 232    | F3, H2       | 20           | 15         | 11      |
| ESC_GPO12   | O        | EtherCAT General-Purpose Output 12 | 233        | H1           | 19           | 14         | 10      |
| ESC_GPO13   | O        | EtherCAT General-Purpose Output 13 | 234        | G2           | 16           | 13         |         |
| ESC_GPO14   | O        | EtherCAT General-Purpose Output 14 | 235        | G1           | 15           | 12         |         |
| ESC_GPO15   | O        | EtherCAT General-Purpose Output 15 | 238        | N12          | 69           | 58         | 40      |
| ESC_GPO16   | O        | EtherCAT General-Purpose Output 16 | 239        | P12          | 70           | 59         | 41      |
| ESC_GPO17   | O        | EtherCAT General-Purpose Output 17 | 241        | N11          | 66           | 55         |         |
| ESC_GPO18   | O        | EtherCAT General-Purpose Output 18 | 242        | T12          | 71           | 60         |         |
| ESC_GPO19   | O        | EtherCAT General-Purpose Output 19 | 243        | R12          | 72           | 61         |         |
| ESC_GPO20   | O        | EtherCAT General-Purpose Output 20 | 246        | P11          | 67           | 56         | 38      |
| ESC_GPO21   | O        | EtherCAT General-Purpose Output 21 | 247        | R11          | 68           | 57         | 39      |
| ESC_GPO22   | O        | EtherCAT General-Purpose Output 22 | 248        | P13          | 73           | 62         |         |
| ESC_GPO23   | O        | EtherCAT General-Purpose Output 23 | 249        | N13          | 74           | 63         |         |
| ESC_GPO24   | O        | EtherCAT General-Purpose Output 24 | 84         | D11          | 148          | 119        | 81      |
| ESC_GPO25   | O        | EtherCAT General-Purpose Output 25 | 103        | D16          | 126          | 105        |         |
| ESC_GPO26   | O        | EtherCAT General-Purpose Output 26 | 127        | F13          | 118          | 97         | 64      |
| ESC_GPO27   | O        | EtherCAT General-Purpose Output 27 | 219        | M16          | 91           | 74         | 51      |
| ESC_GPO28   | O        | EtherCAT General-Purpose Output 28 | 220        | E16          | 123          | 102        | 70      |
| ESC_GPO29   | O        | EtherCAT General-Purpose Output 29 | 221        | F16          | 121          | 100        | 68      |
| ESC_GPO30   | O        | EtherCAT General-Purpose Output 30 | 222        | T14          | 77           | 64         | 42      |
| ESC_GPO31   | O        | EtherCAT General-Purpose Output 31 | 223        | R14          | 78           | 65         | 43      |
| ESC_I2C_SCL | I/OC     | EtherCAT I2C Clock                 | 30, 237    | A10, M9      | 64, 150      | 120        | 83      |
| ESC_I2C_SDA | I/OC     | EtherCAT I2C Data                  | 29, 236    | A9, M8       | 63, 151      | 121        | 84      |
| ESC_LATCH0  | I        | EtherCAT LatchSignal Input 0       | 29, 34, 60 | A9, D1, J15  | 9, 106, 151  | 7, 88, 121 | 56, 84  |
| ESC_LATCH1  | I        | EtherCAT LatchSignal Input 1       | 30, 35, 61 | A10, E1, J13 | 10, 108, 150 | 89, 120    | 57, 83  |

**Table 5-3. Digital Signals (continued)**

| SIGNAL NAME          | PIN TYPE | DESCRIPTION                            | GPIO                 | 256 ZEX                | 176 PTS                | 144 RFS                | 100 PZS     |
|----------------------|----------|----------------------------------------|----------------------|------------------------|------------------------|------------------------|-------------|
| ESC_LED_ERR          | O        | EtherCAT Error LED                     | 33, 60, 241          | J15, N11, P14          | 66, 106                | 55, 88                 | 56          |
| ESC_LED_LINK0_ACTIVE | O        | EtherCAT Link-0 Active                 | 58, 243              | K16, R12               | 72, 103                | 61, 85                 | 53          |
| ESC_LED_LINK1_ACTIVE | O        | EtherCAT Link-1 Active                 | 59, 244              | J16, R13               | 75, 104                | 86                     | 54          |
| ESC_LED_RUN          | O        | EtherCAT Run LED                       | 39, 61, 240, 248     | J13, N10, P13, P15     | 65, 73, 86, 108        | 62, 89                 | 57          |
| ESC_LED_STATE_RUN    | O        | EtherCAT LED State Run                 | 62, 242              | H13, T12               | 71, 109                | 60, 90                 | 58          |
| ESC_MDIO_CLK         | O        | EtherCAT MDIO Clock                    | 26, 46, 62           | B9, D14, H13           | 109, 128, 156          | 90, 124                | 58, 85      |
| ESC_MDIO_DATA        | I/O      | EtherCAT MDIO Data                     | 27, 39, 47, 57       | C9, D15, K15, P15      | 86, 102, 129, 155      | 84                     |             |
| ESC_PDI_UC_IRQ       | O        | EtherCAT PDI IRQ Interrupt Line        | 56                   | K14                    | 100                    | 82                     |             |
| ESC_PHY0_LINKSTATUS  | I        | EtherCAT PHY-0 Link Status             | 53, 55, 86, 232, 249 | C11, H2, K13, L15, N13 | 20, 74, 96, 99         | 15, 63, 79             | 11          |
| ESC_PHY1_LINKSTATUS  | I        | EtherCAT PHY-1 Link Status             | 14, 68, 233          | B3, B15, H1            | 19, 133, 176           | 14, 109, 144           | 10          |
| ESC_PHY_CLK          | O        | EtherCAT PHY Clock                     | 48, 54               | L16, N16               | 90, 97                 | 80                     |             |
| ESC_PHY_RESETrn      | O        | EtherCAT PHY Active Low Reset          | 23, 76, 245          | B8, B13, T13           | 76, 143, 159           | 115, 127               | 87          |
| ESC_RX0_CLK          | I        | EtherCAT MII Receive-0 Clock           | 24, 77               | A13, C8                | 144, 158               | 116, 126               |             |
| ESC_RX0_DATA0        | I        | EtherCAT MII Receive-0 Data-0          | 27, 32, 80           | B12, C9, G16           | 117, 155               | 96                     |             |
| ESC_RX0_DATA1        | I        | EtherCAT MII Receive-0 Data-1          | 28, 38, 81           | A12, D9, E14           | 125, 154               | 104                    | 72          |
| ESC_RX0_DATA2        | I        | EtherCAT MII Receive-0 Data-2          | 41, 82               | D10, N15               | 89                     | 73                     | 50          |
| ESC_RX0_DATA3        | I        | EtherCAT MII Receive-0 Data-3          | 83, 84               | A11, D11               | 148                    | 119                    | 81          |
| ESC_RX0_DV           | I        | EtherCAT MII Receive-0 Data Valid      | 25, 78               | D8, D12                | 145, 157               | 117, 125               | 86          |
| ESC_RX0_ERR          | I        | EtherCAT MII Receive-0 Error           | 26, 79               | B9, C12                | 146, 156               | 124                    | 85          |
| ESC_RX1_CLK          | I        | EtherCAT MII Receive-1 Clock           | 16, 69               | A15, D5                | 2, 134                 | 2                      | 2           |
| ESC_RX1_DATA0        | I        | EtherCAT MII Receive-1 Data-0          | 31, 63               | B10, H14               | 110, 149               | 91                     | 59, 82      |
| ESC_RX1_DATA1        | I        | EtherCAT MII Receive-1 Data-1          | 37, 64               | H15, R16               | 85, 111                | 92                     | 60          |
| ESC_RX1_DATA2        | I        | EtherCAT MII Receive-1 Data-2          | 65                   | H16                    | 112                    | 93                     | 61          |
| ESC_RX1_DATA3        | I        | EtherCAT MII Receive-1 Data-3          | 66                   | G13                    | 113                    | 94                     | 62          |
| ESC_RX1_DV           | I        | EtherCAT MII Receive-1 Data Valid      | 17, 70               | B2, C14                | 4, 135                 | 4, 110                 | 4, 76       |
| ESC_RX1_ERR          | I        | EtherCAT MII Receive-1 Error           | 2, 71                | B7, B14                | 136, 162               | 111, 130               | 77, 90      |
| ESC_SYNC0            | O        | EtherCAT SyncSignal Output 0           | 34, 127, 238         | D1, F13, N12           | 9, 69, 118             | 7, 58, 97              | 40, 64      |
| ESC_SYNC1            | O        | EtherCAT SyncSignal Output 1           | 30, 35, 239          | A10, E1, P12           | 10, 70, 150            | 59, 120                | 41, 83      |
| ESC_TX0_CLK          | I        | EtherCAT MII Transmit-0 Clock          | 9, 85                | A5, B11                | 171                    | 139                    | 97          |
| ESC_TX0_DATA0        | O        | EtherCAT MII Transmit-0 Data-0         | 0, 87                | A8, C10                | 160                    | 128                    | 88          |
| ESC_TX0_DATA1        | O        | EtherCAT MII Transmit-0 Data-1         | 11, 88               | A4, C3                 | 173                    | 141                    | 99          |
| ESC_TX0_DATA2        | O        | EtherCAT MII Transmit-0 Data-2         | 12, 89               | A3, D4                 | 174                    | 142                    | 100         |
| ESC_TX0_DATA3        | O        | EtherCAT MII Transmit-0 Data-3         | 13, 58, 90           | A2, D3, K16            | 103, 175               | 85, 143                | 53          |
| ESC_TX0_ENA          | I/O      | EtherCAT MII Transmit-0 Enable         | 59, 84, 219          | D11, J16, M16          | 91, 104, 148           | 74, 86, 119            | 51, 54, 81  |
| ESC_TX1_CLK          | I        | EtherCAT MII Transmit-1 Clock          | 44, 51, 93           | E3, G14, M13           | 94, 114                | 77                     |             |
| ESC_TX1_DATA0        | O        | EtherCAT MII Transmit-1 Data-0         | 1, 75                | A7, C13                | 142, 161               | 129                    | 89          |
| ESC_TX1_DATA1        | O        | EtherCAT MII Transmit-1 Data-1         | 21, 50, 74           | C2, D13, M14           | 7, 93, 141             | 76                     |             |
| ESC_TX1_DATA2        | O        | EtherCAT MII Transmit-1 Data-2         | 20, 49, 73           | C1, E13, M15           | 6, 92, 140             | 75                     |             |
| ESC_TX1_DATA3        | O        | EtherCAT MII Transmit-1 Data-3         | 19, 72               | A14, B1                | 5, 139                 | 5, 114                 | 80          |
| ESC_TX1_ENA          | I/O      | EtherCAT MII Transmit-1 Enable         | 45, 52, 94           | E4, G15, L14           | 95, 116                | 78                     |             |
| FSIRXA_CLK           | I        | FSIRX-A Input Clock                    | 5, 9, 13, 54, 105    | A2, A5, A6, J14, L16   | 97, 165, 171, 175      | 80, 133, 139, 143      | 93, 97      |
| FSIRXA_D0            | I        | FSIRX-A Primary Data Input             | 3, 8, 12, 52, 103    | A3, C7, D6, D16, L14   | 95, 126, 163, 170, 174 | 78, 105, 131, 138, 142 | 91, 96, 100 |
| FSIRXA_D1            | I        | FSIRX-A Optional Additional Data Input | 4, 11, 53            | A4, D7, L15            | 96, 164, 173           | 79, 132, 141           | 92, 99      |
| FSIRXB_CLK           | I        | FSIRX-B Input Clock                    | 11, 60               | A4, J15                | 106, 173               | 88, 141                | 56, 99      |
| FSIRXB_D0            | I        | FSIRX-B Primary Data Input             | 9, 58, 70            | A5, C14, K16           | 103, 135, 171          | 85, 110, 139           | 53, 76, 97  |
| FSIRXB_D1            | I        | FSIRX-B Optional Additional Data Input | 59, 68               | B15, J16               | 104, 133               | 86, 109                | 54          |
| FSIRXC_CLK           | I        | FSIRX-C Input Clock                    | 14, 16               | B3, D5                 | 2, 176                 | 2, 144                 | 2           |
| FSIRXC_D0            | I        | FSIRX-C Primary Data Input             | 12, 76               | A3, B13                | 143, 174               | 115, 142               | 100         |
| FSIRXC_D1            | I        | FSIRX-C Optional Additional Data Input | 13, 127              | A2, F13                | 118, 175               | 97, 143                | 64          |
| FSIRXD_CLK           | I        | FSIRX-D Input Clock                    | 17, 39, 41, 44, 92   | B2, E2, G14, N15, P15  | 4, 86, 89, 114         | 4, 73                  | 4, 50       |

**Table 5-3. Digital Signals (continued)**

| SIGNAL NAME | PIN TYPE | DESCRIPTION                             | GPIO                  | 256 ZEX                  | 176 PTS                | 144 RFS           | 100 PZS    |
|-------------|----------|-----------------------------------------|-----------------------|--------------------------|------------------------|-------------------|------------|
| FSIRXD_D0   | I        | FSIRX-D Primary Data Input              | 42, 45                | C16, G15                 | 116, 130               | 107               | 74         |
| FSIRXD_D1   | I        | FSIRX-D Optional Additional Data Input  | 16, 43, 100           | B4, C15, D5              | 2, 131                 | 2, 108            | 2, 75      |
| FSITXA_CLK  | O        | FSITX-A Output Clock                    | 2, 27, 51             | B7, C9, M13              | 94, 155, 162           | 77, 130           | 90         |
| FSITXA_D0   | O        | FSITX-A Primary Data Output             | 0, 9, 26, 49, 74, 100 | A5, A8, B4, B9, D13, M15 | 92, 141, 156, 160, 171 | 75, 124, 128, 139 | 85, 88, 97 |
| FSITXA_D1   | O        | FSITX-A Optional Additional Data Output | 1, 8, 25, 50, 101     | A7, B5, D6, D8, M14      | 93, 157, 161, 170      | 76, 125, 129, 138 | 86, 89, 96 |
| FSITXB_CLK  | O        | FSITX-B Output Clock                    | 8, 56, 65, 67         | B16, D6, H16, K14        | 100, 112, 132, 170     | 82, 93, 138       | 61, 96     |
| FSITXB_D0   | O        | FSITX-B Primary Data Output             | 6, 55, 69, 71, 77     | A13, A15, B6, B14, K13   | 99, 134, 136, 144, 166 | 111, 116, 134     | 77, 94     |
| FSITXB_D1   | O        | FSITX-B Optional Additional Data Output | 7, 57, 66             | C6, G13, K15             | 102, 113, 167          | 84, 94, 135       | 62         |
| FSITXC_CLK  | O        | FSITX-C Output Clock                    | 71, 73                | B14, E13                 | 136, 140               | 111               | 77         |
| FSITXC_D0   | O        | FSITX-C Primary Data Output             | 72, 79                | A14, C12                 | 139, 146               | 114               | 80         |
| FSITXC_D1   | O        | FSITX-C Optional Additional Data Output | 78, 84                | D11, D12                 | 145, 148               | 117, 119          | 81         |
| FSITXD_CLK  | O        | FSITX-D Output Clock                    | 61, 64                | H15, J13                 | 108, 111               | 89, 92            | 57, 60     |
| FSITXD_D0   | O        | FSITX-D Primary Data Output             | 31, 62                | B10, H13                 | 109, 149               | 90                | 58, 82     |
| FSITXD_D1   | O        | FSITX-D Optional Additional Data Output | 38, 63                | E14, H14                 | 110, 125               | 91, 104           | 59, 72     |
| GPIO0       | I/O      | General-Purpose Input Output 0          | 0                     | A8                       | 160                    | 128               | 88         |
| GPIO1       | I/O      | General-Purpose Input Output 1          | 1                     | A7                       | 161                    | 129               | 89         |
| GPIO2       | I/O      | General-Purpose Input Output 2          | 2                     | B7                       | 162                    | 130               | 90         |
| GPIO3       | I/O      | General-Purpose Input Output 3          | 3                     | C7                       | 163                    | 131               | 91         |
| GPIO4       | I/O      | General-Purpose Input Output 4          | 4                     | D7                       | 164                    | 132               | 92         |
| GPIO5       | I/O      | General-Purpose Input Output 5          | 5                     | A6                       | 165                    | 133               | 93         |
| GPIO6       | I/O      | General-Purpose Input Output 6          | 6                     | B6                       | 166                    | 134               | 94         |
| GPIO7       | I/O      | General-Purpose Input Output 7          | 7                     | C6                       | 167                    | 135               |            |
| GPIO8       | I/O      | General-Purpose Input Output 8          | 8                     | D6                       | 170                    | 138               | 96         |
| GPIO9       | I/O      | General-Purpose Input Output 9          | 9                     | A5                       | 171                    | 139               | 97         |
| GPIO10      | I/O      | General-Purpose Input Output 10         | 10                    | C5                       | 172                    | 140               | 98         |
| GPIO11      | I/O      | General-Purpose Input Output 11         | 11                    | A4                       | 173                    | 141               | 99         |
| GPIO12      | I/O      | General-Purpose Input Output 12         | 12                    | A3                       | 174                    | 142               | 100        |
| GPIO13      | I/O      | General-Purpose Input Output 13         | 13                    | A2                       | 175                    | 143               |            |
| GPIO14      | I/O      | General-Purpose Input Output 14         | 14                    | B3                       | 176                    | 144               |            |
| GPIO15      | I/O      | General-Purpose Input Output 15         | 15                    | C4                       | 1                      | 1                 | 1          |
| GPIO16      | I/O      | General-Purpose Input Output 16         | 16                    | D5                       | 2                      | 2                 | 2          |
| GPIO17      | I/O      | General-Purpose Input Output 17         | 17                    | B2                       | 4                      | 4                 | 4          |
| GPIO18      | I/O      | General-Purpose Input Output 18         | 18                    | F2                       | 13                     | 10                | 8          |
| GPIO19      | I/O      | General-Purpose Input Output 19         | 19                    | B1                       | 5                      | 5                 |            |
| GPIO20      | I/O      | General-Purpose Input Output 20         | 20                    | C1                       | 6                      |                   |            |
| GPIO21      | I/O      | General-Purpose Input Output 21         | 21                    | C2                       | 7                      |                   |            |
| GPIO22      | I/O      | General-Purpose Input Output 22         | 22                    | F1                       | 14                     | 11                | 9          |
| GPIO23      | I/O      | General-Purpose Input Output 23         | 23                    | B8                       | 159                    | 127               | 87         |
| GPIO24      | I/O      | General-Purpose Input Output 24         | 24                    | C8                       | 158                    | 126               |            |
| GPIO25      | I/O      | General-Purpose Input Output 25         | 25                    | D8                       | 157                    | 125               | 86         |
| GPIO26      | I/O      | General-Purpose Input Output 26         | 26                    | B9                       | 156                    | 124               | 85         |
| GPIO27      | I/O      | General-Purpose Input Output 27         | 27                    | C9                       | 155                    |                   |            |
| GPIO28      | I/O      | General-Purpose Input Output 28         | 28                    | D9                       | 154                    |                   |            |
| GPIO29      | I/O      | General-Purpose Input Output 29         | 29                    | A9                       | 151                    | 121               | 84         |
| GPIO30      | I/O      | General-Purpose Input Output 30         | 30                    | A10                      | 150                    | 120               | 83         |
| GPIO31      | I/O      | General-Purpose Input Output 31         | 31                    | B10                      | 149                    |                   | 82         |
| GPIO32      | I/O      | General-Purpose Input Output 32         | 32                    | G16                      | 117                    | 96                |            |
| GPIO33      | I/O      | General-Purpose Input Output 33         | 33                    | P14                      |                        |                   |            |
| GPIO34      | I/O      | General-Purpose Input Output 34         | 34                    | D1                       | 9                      | 7                 |            |
| GPIO35      | I/O      | General-Purpose Input Output 35         | 35                    | E1                       | 10                     |                   |            |
| GPIO36      | I/O      | General-Purpose Input Output 36         | 36                    | N14                      |                        |                   |            |
| GPIO37      | I/O      | General-Purpose Input Output 37         | 37                    | R16                      | 85                     |                   |            |

**Table 5-3. Digital Signals (continued)**

| SIGNAL NAME | PIN TYPE | DESCRIPTION                     | GPIO | 256 ZEX | 176 PTS | 144 RFS | 100 PZS |
|-------------|----------|---------------------------------|------|---------|---------|---------|---------|
| GPIO38      | I/O      | General-Purpose Input Output 38 | 38   | E14     | 125     | 104     | 72      |
| GPIO39      | I/O      | General-Purpose Input Output 39 | 39   | P15     | 86      |         |         |
| GPIO40      | I/O      | General-Purpose Input Output 40 | 40   | P16     | 87      |         |         |
| GPIO41      | I/O      | General-Purpose Input Output 41 | 41   | N15     | 89      | 73      | 50      |
| GPIO42      | I/O      | General-Purpose Input Output 42 | 42   | C16     | 130     | 107     | 74      |
| GPIO43      | I/O      | General-Purpose Input Output 43 | 43   | C15     | 131     | 108     | 75      |
| GPIO44      | I/O      | General-Purpose Input Output 44 | 44   | G14     | 114     |         |         |
| GPIO45      | I/O      | General-Purpose Input Output 45 | 45   | G15     | 116     |         |         |
| GPIO46      | I/O      | General-Purpose Input Output 46 | 46   | D14     | 128     |         |         |
| GPIO47      | I/O      | General-Purpose Input Output 47 | 47   | D15     | 129     |         |         |
| GPIO48      | I/O      | General-Purpose Input Output 48 | 48   | N16     | 90      |         |         |
| GPIO49      | I/O      | General-Purpose Input Output 49 | 49   | M15     | 92      | 75      |         |
| GPIO50      | I/O      | General-Purpose Input Output 50 | 50   | M14     | 93      | 76      |         |
| GPIO51      | I/O      | General-Purpose Input Output 51 | 51   | M13     | 94      | 77      |         |
| GPIO52      | I/O      | General-Purpose Input Output 52 | 52   | L14     | 95      | 78      |         |
| GPIO53      | I/O      | General-Purpose Input Output 53 | 53   | L15     | 96      | 79      |         |
| GPIO54      | I/O      | General-Purpose Input Output 54 | 54   | L16     | 97      | 80      |         |
| GPIO55      | I/O      | General-Purpose Input Output 55 | 55   | K13     | 99      |         |         |
| GPIO56      | I/O      | General-Purpose Input Output 56 | 56   | K14     | 100     | 82      |         |
| GPIO57      | I/O      | General-Purpose Input Output 57 | 57   | K15     | 102     | 84      |         |
| GPIO58      | I/O      | General-Purpose Input Output 58 | 58   | K16     | 103     | 85      | 53      |
| GPIO59      | I/O      | General-Purpose Input Output 59 | 59   | J16     | 104     | 86      | 54      |
| GPIO60      | I/O      | General-Purpose Input Output 60 | 60   | J15     | 106     | 88      | 56      |
| GPIO61      | I/O      | General-Purpose Input Output 61 | 61   | J13     | 108     | 89      | 57      |
| GPIO62      | I/O      | General-Purpose Input Output 62 | 62   | H13     | 109     | 90      | 58      |
| GPIO63      | I/O      | General-Purpose Input Output 63 | 63   | H14     | 110     | 91      | 59      |
| GPIO64      | I/O      | General-Purpose Input Output 64 | 64   | H15     | 111     | 92      | 60      |
| GPIO65      | I/O      | General-Purpose Input Output 65 | 65   | H16     | 112     | 93      | 61      |
| GPIO66      | I/O      | General-Purpose Input Output 66 | 66   | G13     | 113     | 94      | 62      |
| GPIO67      | I/O      | General-Purpose Input Output 67 | 67   | B16     | 132     |         |         |
| GPIO68      | I/O      | General-Purpose Input Output 68 | 68   | B15     | 133     | 109     |         |
| GPIO69      | I/O      | General-Purpose Input Output 69 | 69   | A15     | 134     |         |         |
| GPIO70      | I/O      | General-Purpose Input Output 70 | 70   | C14     | 135     | 110     | 76      |
| GPIO71      | I/O      | General-Purpose Input Output 71 | 71   | B14     | 136     | 111     | 77      |
| GPIO72      | I/O      | General-Purpose Input Output 72 | 72   | A14     | 139     | 114     | 80      |
| GPIO73      | I/O      | General-Purpose Input Output 73 | 73   | E13     | 140     |         |         |
| GPIO74      | I/O      | General-Purpose Input Output 74 | 74   | D13     | 141     |         |         |
| GPIO75      | I/O      | General-Purpose Input Output 75 | 75   | C13     | 142     |         |         |
| GPIO76      | I/O      | General-Purpose Input Output 76 | 76   | B13     | 143     | 115     |         |
| GPIO77      | I/O      | General-Purpose Input Output 77 | 77   | A13     | 144     | 116     |         |
| GPIO78      | I/O      | General-Purpose Input Output 78 | 78   | D12     | 145     | 117     |         |
| GPIO79      | I/O      | General-Purpose Input Output 79 | 79   | C12     | 146     |         |         |
| GPIO80      | I/O      | General-Purpose Input Output 80 | 80   | B12     |         |         |         |
| GPIO81      | I/O      | General-Purpose Input Output 81 | 81   | A12     |         |         |         |
| GPIO82      | I/O      | General-Purpose Input Output 82 | 82   | D10     |         |         |         |
| GPIO83      | I/O      | General-Purpose Input Output 83 | 83   | A11     |         |         |         |
| GPIO84      | I/O      | General-Purpose Input Output 84 | 84   | D11     | 148     | 119     | 81      |
| GPIO85      | I/O      | General-Purpose Input Output 85 | 85   | B11     |         |         |         |
| GPIO86      | I/O      | General-Purpose Input Output 86 | 86   | C11     |         |         |         |
| GPIO87      | I/O      | General-Purpose Input Output 87 | 87   | C10     |         |         |         |
| GPIO88      | I/O      | General-Purpose Input Output 88 | 88   | C3      |         |         |         |
| GPIO89      | I/O      | General-Purpose Input Output 89 | 89   | D4      |         |         |         |
| GPIO90      | I/O      | General-Purpose Input Output 90 | 90   | D3      |         |         |         |
| GPIO91      | I/O      | General-Purpose Input Output 91 | 91   | D2      |         |         |         |

**Table 5-3. Digital Signals (continued)**

| SIGNAL NAME | PIN TYPE | DESCRIPTION                          | GPIO                                    | 256 ZEX                                     | 176 PTS                                 | 144 RFS                      | 100 PZS           |
|-------------|----------|--------------------------------------|-----------------------------------------|---------------------------------------------|-----------------------------------------|------------------------------|-------------------|
| GPIO92      | I/O      | General-Purpose Input Output 92      | 92                                      | E2                                          |                                         |                              |                   |
| GPIO93      | I/O      | General-Purpose Input Output 93      | 93                                      | E3                                          |                                         |                              |                   |
| GPIO94      | I/O      | General-Purpose Input Output 94      | 94                                      | E4                                          |                                         |                              |                   |
| GPIO95      | I/O      | General-Purpose Input Output 95      | 95                                      | E5                                          |                                         |                              |                   |
| GPIO96      | I/O      | General-Purpose Input Output 96      | 96                                      | F3                                          |                                         |                              |                   |
| GPIO97      | I/O      | General-Purpose Input Output 97      | 97                                      | F4                                          |                                         |                              |                   |
| GPIO98      | I/O      | General-Purpose Input Output 98      | 98                                      | F5                                          |                                         |                              |                   |
| GPIO99      | I/O      | General-Purpose Input Output 99      | 99                                      | G5                                          |                                         |                              |                   |
| GPIO100     | I/O      | General-Purpose Input Output 100     | 100                                     | B4                                          |                                         |                              |                   |
| GPIO101     | I/O      | General-Purpose Input Output 101     | 101                                     | B5                                          |                                         |                              |                   |
| GPIO103     | I/O      | General-Purpose Input Output 103     | 103                                     | D16                                         | 126                                     | 105                          |                   |
| GPIO105     | I/O      | General-Purpose Input Output 105     | 105                                     | J14                                         |                                         |                              |                   |
| GPIO127     | I/O      | General-Purpose Input Output 127     | 127                                     | F13                                         | 118                                     | 97                           | 64                |
| GPIO219     | I/O      | General-Purpose Input Output 219     | 219                                     | M16                                         | 91                                      | 74                           | 51                |
| GPIO220     | I/O      | General-Purpose Input Output 220     | 220                                     | E16                                         | 123                                     | 102                          | 70                |
| GPIO221     | I/O      | General-Purpose Input Output 221     | 221                                     | F16                                         | 121                                     | 100                          | 68                |
| GPIO222     | I/O      | General-Purpose Input Output 222     | 222                                     | T14                                         | 77                                      | 64                           | 42                |
| GPIO223     | I/O      | General-Purpose Input Output 223     | 223                                     | R14                                         | 78                                      | 65                           | 43                |
| GPIO224     | I/O      | General-Purpose Input Output 224     | 224                                     | L5                                          | 26                                      | 18                           | 13                |
| GPIO225     | I/O      | General-Purpose Input Output 225     | 225                                     | K5                                          | 25                                      | 17                           | 12                |
| GPIO226     | I/O      | General-Purpose Input Output 226     | 226                                     | H4                                          | 22                                      | 16                           |                   |
| GPIO227     | I/O      | General-Purpose Input Output 227     | 227                                     | H3                                          | 21                                      |                              |                   |
| GPIO228     | I/O      | General-Purpose Input Output 228     | 228                                     | G3                                          | 18                                      |                              |                   |
| GPIO229     | I/O      | General-Purpose Input Output 229     | 229                                     | G4                                          | 17                                      |                              |                   |
| GPIO230     | I/O      | General-Purpose Input Output 230     | 230                                     | J5                                          | 24                                      |                              |                   |
| GPIO231     | I/O      | General-Purpose Input Output 231     | 231                                     | H5                                          | 23                                      |                              |                   |
| GPIO232     | I/O      | General-Purpose Input Output 232     | 232                                     | H2                                          | 20                                      | 15                           | 11                |
| GPIO233     | I/O      | General-Purpose Input Output 233     | 233                                     | H1                                          | 19                                      | 14                           | 10                |
| GPIO234     | I/O      | General-Purpose Input Output 234     | 234                                     | G2                                          | 16                                      | 13                           |                   |
| GPIO235     | I/O      | General-Purpose Input Output 235     | 235                                     | G1                                          | 15                                      | 12                           |                   |
| GPIO236     | I/O      | General-Purpose Input Output 236     | 236                                     | M8                                          | 63                                      |                              |                   |
| GPIO237     | I/O      | General-Purpose Input Output 237     | 237                                     | M9                                          | 64                                      |                              |                   |
| GPIO238     | I/O      | General-Purpose Input Output 238     | 238                                     | N12                                         | 69                                      | 58                           | 40                |
| GPIO239     | I/O      | General-Purpose Input Output 239     | 239                                     | P12                                         | 70                                      | 59                           | 41                |
| GPIO240     | I/O      | General-Purpose Input Output 240     | 240                                     | N10                                         | 65                                      |                              |                   |
| GPIO241     | I/O      | General-Purpose Input Output 241     | 241                                     | N11                                         | 66                                      | 55                           |                   |
| GPIO242     | I/O      | General-Purpose Input Output 242     | 242                                     | T12                                         | 71                                      | 60                           |                   |
| GPIO243     | I/O      | General-Purpose Input Output 243     | 243                                     | R12                                         | 72                                      | 61                           |                   |
| GPIO244     | I/O      | General-Purpose Input Output 244     | 244                                     | R13                                         | 75                                      |                              |                   |
| GPIO245     | I/O      | General-Purpose Input Output 245     | 245                                     | T13                                         | 76                                      |                              |                   |
| GPIO246     | I/O      | General-Purpose Input Output 246     | 246                                     | P11                                         | 67                                      | 56                           | 38                |
| GPIO247     | I/O      | General-Purpose Input Output 247     | 247                                     | R11                                         | 68                                      | 57                           | 39                |
| GPIO248     | I/O      | General-Purpose Input Output 248     | 248                                     | P13                                         | 73                                      | 62                           |                   |
| GPIO249     | I/O      | General-Purpose Input Output 249     | 249                                     | N13                                         | 74                                      | 63                           |                   |
| I2CA_SCL    | I/OD     | I2C-A Open-Drain Bidirectional Clock | 1, 10, 18, 33, 43, 57, 92, 105, 239     | A7, C5, C15, E2, F2, J14, K15, P12, P14     | 13, 70, 102, 131, 161, 172              | 10, 59, 84, 108, 129, 140    | 8, 41, 75, 89, 98 |
| I2CA_SDA    | I/OD     | I2C-A Open-Drain Bidirectional Data  | 0, 15, 29, 31, 32, 42, 56, 91, 237, 242 | A8, A9, B10, C4, C16, D2, G16, K14, M9, T12 | 1, 64, 71, 100, 117, 130, 149, 151, 160 | 1, 60, 82, 96, 107, 121, 128 | 1, 74, 82, 84, 88 |
| I2CB_SCL    | I/OD     | I2C-B Open-Drain Bidirectional Clock | 3, 23, 35, 41, 69, 222, 230             | A15, B8, C7, E1, J5, N15, T14               | 10, 24, 77, 89, 134, 159, 163           | 64, 73, 127, 131             | 42, 50, 87, 91    |
| I2CB_SDA    | I/OD     | I2C-B Open-Drain Bidirectional Data  | 2, 22, 34, 40, 66, 223, 225             | B7, D1, F1, G13, K5, P16, R14               | 9, 14, 25, 78, 87, 113, 162             | 7, 11, 17, 65, 94, 130       | 9, 12, 43, 62, 90 |
| LINA_RX     | I        | LIN-A Receive                        | 7, 15, 236                              | C4, C6, M8                                  | 1, 63, 167                              | 1, 135                       | 1                 |
| LINA_TX     | O        | LIN-A Transmit                       | 6, 14, 237, 247                         | B3, B6, M9, R11                             | 64, 68, 166, 176                        | 57, 134, 144                 | 39, 94            |

**Table 5-3. Digital Signals (continued)**

| SIGNAL NAME  | PIN TYPE | DESCRIPTION                                             | GPIO                                                 | 256 ZEX                                                      | 176 PTS                                                  | 144 RFS                                          | 100 PZS                                    |
|--------------|----------|---------------------------------------------------------|------------------------------------------------------|--------------------------------------------------------------|----------------------------------------------------------|--------------------------------------------------|--------------------------------------------|
| LINB_RX      | I        | LIN-B Receive                                           | 25, 68, 233                                          | B15, D8, H1                                                  | 19, 133, 157                                             | 14, 109, 125                                     | 10, 86                                     |
| LINB_TX      | O        | LIN-B Transmit                                          | 24, 67, 228, 239                                     | B16, C8, G3, P12                                             | 18, 70, 132, 158                                         | 59, 126                                          | 41                                         |
| MCANA_RX     | I        | CAN/CAN FD-A Receive                                    | 65, 229, 235                                         | G1, G4, H16                                                  | 15, 17, 112                                              | 12, 93                                           | 61                                         |
| MCANA_TX     | O        | CAN/CAN FD-A Transmit                                   | 64, 234                                              | G2, H15                                                      | 16, 111                                                  | 13, 92                                           | 60                                         |
| MCANB_RX     | I        | CAN/CAN FD-B Receive                                    | 7, 20, 40, 44, 72                                    | A14, C1, C6, G14, P16                                        | 6, 87, 114, 139, 167                                     | 114, 135                                         | 80                                         |
| MCANB_TX     | O        | CAN/CAN FD-B Transmit                                   | 6, 21, 41, 45, 73                                    | B6, C2, E13, G15, N15                                        | 7, 89, 116, 140, 166                                     | 73, 134                                          | 50, 94                                     |
| MCANC_RX     | I        | CAN/CAN FD-C Receive                                    | 5, 10, 23, 30, 36, 58, 61, 62, 70, 75, 221, 246, 247 | A6, A10, B8, C5, C13, C14, F16, H13, J13, K16, N14, P11, R11 | 67, 68, 103, 108, 109, 121, 135, 142, 150, 159, 165, 172 | 56, 57, 85, 89, 90, 100, 110, 120, 127, 133, 140 | 38, 39, 53, 57, 58, 68, 76, 83, 87, 93, 98 |
| MCANC_TX     | O        | CAN/CAN FD-C Transmit                                   | 4, 8, 19, 22, 31, 37, 59, 62, 63, 71, 74, 220        | B1, B10, B14, D6, D7, D13, E16, F1, H13, H14, J16, R16       | 5, 14, 85, 104, 109, 110, 123, 136, 141, 149, 164, 170   | 5, 11, 86, 90, 91, 102, 111, 132, 138            | 9, 54, 58, 59, 70, 77, 82, 92, 96          |
| MCAND_RX     | I        | CAN/CAN FD-D Receive                                    | 1, 17, 57, 68, 92, 224, 231                          | A7, B2, B15, E2, H5, K15, L5                                 | 4, 23, 26, 102, 133, 161                                 | 4, 18, 84, 109, 129                              | 4, 13, 89                                  |
| MCAND_TX     | O        | CAN/CAN FD-D Transmit                                   | 0, 16, 56, 67, 91, 226                               | A8, B16, D2, D5, H4, K14                                     | 2, 22, 100, 132, 160                                     | 2, 16, 82, 128                                   | 2, 88                                      |
| MCANE_RX     | I        | CAN/CAN FD-E Receive                                    | 25, 47, 77                                           | A13, D8, D15                                                 | 129, 144, 157                                            | 116, 125                                         | 86                                         |
| MCANE_TX     | O        | CAN/CAN FD-E Transmit                                   | 24, 26, 46, 76                                       | B9, B13, C8, D14                                             | 128, 143, 156, 158                                       | 115, 124, 126                                    | 85                                         |
| MCANF_RX     | I        | CAN/CAN FD-F Receive                                    | 3, 51, 84                                            | C7, D11, M13                                                 | 94, 148, 163                                             | 77, 119, 131                                     | 81, 91                                     |
| MCANF_TX     | O        | CAN/CAN FD-F Transmit                                   | 2, 50, 78                                            | B7, D12, M14                                                 | 93, 145, 162                                             | 76, 117, 130                                     | 90                                         |
| OUTPUTXBAR1  | O        | Output X-BAR Output 1                                   | 2, 24, 34, 219, 226, 228                             | B7, C8, D1, G3, H4, M16                                      | 9, 18, 22, 91, 158, 162                                  | 7, 16, 74, 126, 130                              | 51, 90                                     |
| OUTPUTXBAR2  | O        | Output X-BAR Output 2                                   | 3, 25, 37, 220, 231, 233                             | C7, D8, E16, H1, H5, R16                                     | 19, 23, 85, 123, 157, 163                                | 14, 102, 125, 131                                | 10, 70, 86, 91                             |
| OUTPUTXBAR3  | O        | Output X-BAR Output 3                                   | 4, 5, 14, 26, 48, 60, 221, 230, 232                  | A6, B3, B9, D7, F16, H2, J5, J15, N16                        | 20, 24, 90, 106, 121, 156, 164, 165, 176                 | 15, 88, 100, 124, 132, 133, 144                  | 11, 56, 68, 85, 92, 93                     |
| OUTPUTXBAR4  | O        | Output X-BAR Output 4                                   | 6, 15, 27, 49, 61, 222, 225, 227                     | B6, C4, C9, H3, J13, K5, M15, T14                            | 1, 21, 25, 77, 92, 108, 155, 166                         | 1, 17, 64, 75, 89, 134                           | 1, 12, 42, 57, 94                          |
| OUTPUTXBAR5  | O        | Output X-BAR Output 5                                   | 7, 28, 223, 224, 247                                 | C6, D9, L5, R11, R14                                         | 26, 68, 78, 154, 167                                     | 18, 57, 65, 135                                  | 13, 39, 43                                 |
| OUTPUTXBAR6  | O        | Output X-BAR Output 6                                   | 9, 29, 73, 236, 238                                  | A5, A9, E13, M8, N12                                         | 63, 69, 140, 151, 171                                    | 58, 121, 139                                     | 40, 84, 97                                 |
| OUTPUTXBAR7  | O        | Output X-BAR Output 7                                   | 11, 16, 30, 237, 246                                 | A4, A10, D5, M9, P11                                         | 2, 64, 67, 150, 173                                      | 2, 56, 120, 141                                  | 2, 38, 83, 99                              |
| OUTPUTXBAR8  | O        | Output X-BAR Output 8                                   | 14, 17, 31, 72, 239                                  | A14, B2, B3, B10, P12                                        | 4, 70, 139, 149, 176                                     | 4, 59, 114, 144                                  | 4, 41, 80, 82                              |
| OUTPUTXBAR9  | O        | Output X-BAR Output 9                                   | 0, 32, 40, 91, 242                                   | A8, D2, G16, P16, T12                                        | 71, 87, 117, 160                                         | 60, 96, 128                                      | 88                                         |
| OUTPUTXBAR10 | O        | Output X-BAR Output 10                                  | 1, 33, 41, 92                                        | A7, E2, N15, P14                                             | 89, 161                                                  | 73, 129                                          | 50, 89                                     |
| OUTPUTXBAR11 | O        | Output X-BAR Output 11                                  | 5, 34, 93                                            | A6, D1, E3                                                   | 9, 165                                                   | 7, 133                                           | 93                                         |
| OUTPUTXBAR12 | O        | Output X-BAR Output 12                                  | 8, 35, 94                                            | D6, E1, E4                                                   | 10, 170                                                  | 138                                              | 96                                         |
| OUTPUTXBAR13 | O        | Output X-BAR Output 13                                  | 10, 36, 42, 95                                       | C5, C16, E5, N14                                             | 130, 172                                                 | 107, 140                                         | 74, 98                                     |
| OUTPUTXBAR14 | O        | Output X-BAR Output 14                                  | 12, 37, 43, 44, 96                                   | A3, C15, F3, G14, R16                                        | 85, 114, 131, 174                                        | 108, 142                                         | 75, 100                                    |
| OUTPUTXBAR15 | O        | Output X-BAR Output 15                                  | 13, 38, 45, 97                                       | A2, E14, F4, G15                                             | 116, 125, 175                                            | 104, 143                                         | 72                                         |
| OUTPUTXBAR16 | O        | Output X-BAR Output 16                                  | 15, 39, 75, 98                                       | C4, C13, F5, P15                                             | 1, 86, 142                                               | 1                                                | 1                                          |
| PMBUSA_ALERT | I/OD     | PMBus-A Open-Drain Bidirectional Alert Signal           | 11, 18, 19                                           | A4, B1, F2                                                   | 5, 13, 173                                               | 5, 10, 141                                       | 8, 99                                      |
| PMBUSA_CTL   | I/O      | PMBus-A Control Signal - Target Input/Controller Output | 12, 15, 26                                           | A3, B9, C4                                                   | 1, 156, 174                                              | 1, 124, 142                                      | 1, 85, 100                                 |
| PMBUSA_SCL   | I/OD     | PMBus-A Open-Drain Bidirectional Clock                  | 10, 14, 23                                           | B3, B8, C5                                                   | 159, 172, 176                                            | 127, 140, 144                                    | 87, 98                                     |
| PMBUSA_SDA   | I/OD     | PMBus-A Open-Drain Bidirectional Data                   | 13, 22, 25, 29                                       | A2, A9, D8, F1                                               | 14, 151, 157, 175                                        | 11, 121, 125, 143                                | 9, 84, 86                                  |
| SD1_C1       | I        | SDFM-1 Channel 1 Clock Input                            | 17, 49, 53, 64, 96, 235                              | B2, F3, G1, H15, L4, L15, M15, N8                            | 4, 15, 34, 92, 96, 111                                   | 4, 12, 26, 75, 79, 92                            | 4, 17, 60                                  |
| SD1_C2       | I        | SDFM-1 Channel 2 Clock Input                            | 19, 51, 54, 66, 98, 248                              | B1, F5, G13, L16, M13, P13, R2, R8                           | 5, 45, 73, 94, 97, 113                                   | 5, 37, 62, 77, 80, 94                            | 26, 62                                     |

**Table 5-3. Digital Signals (continued)**

| SIGNAL NAME | PIN TYPE | DESCRIPTION                  | GPIO                              | 256 ZEX                                       | 176 PTS                           | 144 RFS                  | 100 PZS        |
|-------------|----------|------------------------------|-----------------------------------|-----------------------------------------------|-----------------------------------|--------------------------|----------------|
| SD1_C3      | I        | SDFM-1 Channel 3 Clock Input | 21, 53, 55, 68, 90, 127, 226, 231 | B15, C2, D3, F13, H4, H5, K13, L15, N7, R3    | 7, 22, 23, 47, 96, 99, 118, 133   | 16, 39, 79, 97, 109      | 28, 64         |
| SD1_C4      | I        | SDFM-1 Channel 4 Clock Input | 55, 56, 70, 229                   | C14, G4, K13, K14, M7, R5                     | 17, 57, 99, 100, 135              | 49, 82, 110              | 34, 76         |
| SD1_D1      | I        | SDFM-1 Channel 1 Data Input  | 16, 36, 48, 63, 95, 100, 246      | B4, D5, E5, H14, L3, N14, N16, P8, P11        | 2, 33, 67, 90, 110                | 2, 25, 56, 91            | 2, 16, 38, 59  |
| SD1_D2      | I        | SDFM-1 Channel 2 Data Input  | 37, 50, 65, 97, 249               | F4, H16, M14, N13, R16, T2, T8                | 46, 74, 85, 93, 112               | 38, 63, 76, 93           | 27, 61         |
| SD1_D3      | I        | SDFM-1 Channel 3 Data Input  | 20, 38, 52, 67, 89, 226, 238      | B16, C1, D4, E14, H4, L14, N12, P7, T3        | 6, 22, 48, 69, 95, 125, 132       | 16, 40, 58, 78, 104      | 29, 40, 72     |
| SD1_D4      | I        | SDFM-1 Channel 4 Data Input  | 39, 54, 69, 74, 77, 80, 234, 242  | A13, A15, B12, D13, G2, L16, M6, P15, R6, T12 | 16, 58, 71, 86, 97, 134, 141, 144 | 13, 50, 60, 80, 116      | 35             |
| SD2_C1      | I        | SDFM-2 Channel 1 Clock Input | 25, 40, 57, 80, 219, 233          | B12, D8, H1, K15, M16, P3, P16, R7            | 19, 49, 87, 91, 102, 157          | 14, 41, 74, 84, 125      | 10, 30, 51, 86 |
| SD2_C2      | I        | SDFM-2 Channel 2 Clock Input | 27, 48, 58, 59, 74, 227           | C9, D13, H3, J16, K16, M1, N16, R10           | 21, 36, 90, 103, 104, 141, 155    | 28, 85, 86               | 53, 54         |
| SD2_C3      | I        | SDFM-2 Channel 3 Clock Input | 59, 61, 76, 238                   | B13, J13, J16, L2, N12, P9                    | 32, 69, 104, 108, 143             | 24, 58, 86, 89, 115      | 40, 54, 57     |
| SD2_C4      | I        | SDFM-2 Channel 4 Clock Input | 31, 60, 63, 78, 239               | B10, D12, H14, J15, K4, P10, P12              | 30, 70, 106, 110, 145, 149        | 22, 59, 88, 91, 117      | 41, 56, 59, 82 |
| SD2_D1      | I        | SDFM-2 Channel 1 Data Input  | 24, 41, 49, 56, 79, 228           | C8, C12, G3, K14, M15, N15, P4, T7            | 18, 50, 89, 92, 100, 146, 158     | 42, 73, 75, 82, 126      | 31, 50         |
| SD2_D2      | I        | SDFM-2 Channel 2 Data Input  | 26, 50, 58, 73, 242               | B9, E13, K16, M2, M14, R9, T12                | 35, 71, 93, 103, 140, 156         | 27, 60, 76, 85, 124      | 53, 85         |
| SD2_D3      | I        | SDFM-2 Channel 3 Data Input  | 28, 51, 75, 247                   | C13, D9, L1, M13, N9, R11                     | 31, 68, 94, 142, 154              | 23, 57, 77               | 39             |
| SD2_D4      | I        | SDFM-2 Channel 4 Data Input  | 30, 52, 62, 77, 243               | A10, A13, H13, K3, L14, R12, T11              | 29, 72, 95, 109, 144, 150         | 21, 61, 78, 90, 116, 120 | 58, 83         |
| SD3_C1      | I        | SDFM-3 Channel 1 Clock Input | 72, 76, 105, 245                  | A14, B13, J14, N4, T13                        | 51, 76, 139, 143                  | 43, 114, 115             | 80             |
| SD3_C2      | I        | SDFM-3 Channel 2 Clock Input | 78, 82, 84                        | D10, D11, D12, P5, R1                         | 44, 55, 145, 148                  | 36, 47, 117, 119         | 25, 81         |
| SD3_C3      | I        | SDFM-3 Channel 3 Clock Input | 80, 86, 221                       | B12, C11, F16, M3, T5                         | 40, 59, 121                       | 32, 51, 100              | 21, 68         |
| SD3_C4      | I        | SDFM-3 Channel 4 Clock Input | 44, 46, 88, 223                   | C3, D14, G14, P2, R14, T10                    | 42, 78, 114, 128                  | 34, 65                   | 23, 43         |
| SD3_D1      | I        | SDFM-3 Channel 1 Data Input  | 71, 77, 232                       | A13, B14, H2, M5                              | 20, 52, 136, 144                  | 15, 44, 111, 116         | 11, 77         |
| SD3_D2      | I        | SDFM-3 Channel 2 Data Input  | 72, 79, 83                        | A11, A14, C12, N5, P1                         | 43, 56, 139, 146                  | 35, 48, 114              | 24, 80         |
| SD3_D3      | I        | SDFM-3 Channel 3 Data Input  | 57, 81, 85, 220                   | A12, B11, E16, K15, M4, T6                    | 39, 60, 102, 123                  | 31, 52, 84, 102          | 20, 70         |
| SD3_D4      | I        | SDFM-3 Channel 4 Data Input  | 45, 87, 222                       | C10, G15, N3, T9, T14                         | 41, 77, 116                       | 33, 64                   | 22, 42         |
| SD4_C1      | I        | SDFM-4 Channel 1 Clock Input | 14, 90, 225                       | B3, D3, K2, K5                                | 25, 176                           | 17, 144                  | 12             |
| SD4_C2      | I        | SDFM-4 Channel 2 Clock Input | 12, 92, 236                       | A3, E2, J2, M8                                | 63, 174                           | 142                      | 100            |
| SD4_C3      | I        | SDFM-4 Channel 3 Clock Input | 40, 42, 47, 94, 240               | C16, D15, E4, J4, N10, P16                    | 65, 87, 129, 130                  | 107                      | 74             |
| SD4_C4      | I        | SDFM-4 Channel 4 Clock Input | 42, 100, 103, 244                 | B4, C16, D16, N6, R13                         | 75, 126, 130                      | 105, 107                 | 74             |
| SD4_D1      | I        | SDFM-4 Channel 1 Data Input  | 11, 89, 230                       | A4, D4, J5, K1                                | 24, 173                           | 141                      | 99             |
| SD4_D2      | I        | SDFM-4 Channel 2 Data Input  | 13, 91, 224                       | A2, D2, J1, L5                                | 26, 175                           | 18, 143                  | 13             |
| SD4_D3      | I        | SDFM-4 Channel 3 Data Input  | 41, 93, 237                       | E3, J3, M9, N15                               | 64, 89                            | 73                       | 50             |
| SD4_D4      | I        | SDFM-4 Channel 4 Data Input  | 43, 73, 76, 78, 99, 241           | B13, C15, D12, E13, G5, N11, P6               | 66, 131, 140, 143, 145            | 55, 108, 115, 117        | 75             |
| SENT1       | I/O      | SENT Input Pin 1             | 15, 58, 235, 242                  | C4, G1, K16, T12                              | 1, 15, 71, 103                    | 1, 12, 60, 85            | 1, 53          |
| SENT2       | I/O      | SENT Input Pin 2             | 10, 59, 234, 243                  | C5, G2, J16, R12                              | 16, 72, 104, 172                  | 13, 61, 86, 140          | 54, 98         |
| SENT3       | I/O      | SENT Input Pin 3             | 29, 60, 229, 248                  | A9, G4, J15, P13                              | 17, 73, 106, 151                  | 62, 88, 121              | 56, 84         |

**Table 5-3. Digital Signals (continued)**

| SIGNAL NAME | PIN TYPE | DESCRIPTION                                                                                                                                           | GPIO                      | 256 ZEX                     | 176 PTS                      | 144 RFS                 | 100 PZS            |
|-------------|----------|-------------------------------------------------------------------------------------------------------------------------------------------------------|---------------------------|-----------------------------|------------------------------|-------------------------|--------------------|
| SENT4       | I/O      | SENT Input Pin 4                                                                                                                                      | 18, 62, 228, 249          | F2, G3, H13, N13            | 13, 18, 74, 109              | 10, 63, 90              | 8, 58              |
| SENT5       | I/O      | SENT Input Pin 5                                                                                                                                      | 22, 63, 233, 244          | F1, H1, H14, R13            | 14, 19, 75, 110              | 11, 14, 91              | 9, 10, 59          |
| SENT6       | I/O      | SENT Input Pin 6                                                                                                                                      | 23, 64, 232, 245          | B8, H2, H15, T13            | 20, 76, 111, 159             | 15, 92, 127             | 11, 60, 87         |
| SPIA_CLK    | I/O      | SPI-A Clock                                                                                                                                           | 34, 56, 60, 227           | D1, H3, J15, K14            | 9, 21, 100, 106              | 7, 82, 88               | 56                 |
| SPIA_PICO   | I/O      | SPI-A Peripheral In, Controller Out (PICO)                                                                                                            | 16, 32, 54, 58, 100, 231  | B4, D5, G16, H5, K16, L16   | 2, 23, 97, 103, 117          | 2, 80, 85, 96           | 2, 53              |
| SPIA_POCI   | I/O      | SPI-A Peripheral Out, Controller In (POCI)                                                                                                            | 17, 33, 55, 59, 232       | B2, H2, J16, K13, P14       | 4, 20, 99, 104               | 4, 15, 86               | 4, 11, 54          |
| SPIA_PTE    | I/O      | SPI-A Peripheral Transmit Enable (PTE)                                                                                                                | 19, 35, 57, 61, 226       | B1, E1, H4, J13, K15        | 5, 10, 22, 102, 108          | 5, 16, 84, 89           | 57                 |
| SPIB_CLK    | I/O      | SPI-B Clock                                                                                                                                           | 26, 65, 235               | B9, G1, H16                 | 15, 112, 156                 | 12, 93, 124             | 61, 85             |
| SPIB_PICO   | I/O      | SPI-B Peripheral In, Controller Out (PICO)                                                                                                            | 24, 63, 225, 229          | C8, G4, H14, K5             | 17, 25, 110, 158             | 17, 91, 126             | 12, 59             |
| SPIB_POCI   | I/O      | SPI-B Peripheral Out, Controller In (POCI)                                                                                                            | 25, 64, 224, 228          | D8, G3, H15, L5             | 18, 26, 111, 157             | 18, 92, 125             | 13, 60, 86         |
| SPIB_PTE    | I/O      | SPI-B Peripheral Transmit Enable (PTE)                                                                                                                | 27, 66, 234               | C9, G2, G13                 | 16, 113, 155                 | 13, 94                  | 62                 |
| SPIC_CLK    | I/O      | SPI-C Clock                                                                                                                                           | 52, 71, 222, 249          | B14, L14, N13, T14          | 74, 77, 95, 136              | 63, 64, 78, 111         | 42, 77             |
| SPIC_PICO   | I/O      | SPI-C Peripheral In, Controller Out (PICO)                                                                                                            | 20, 50, 69, 84, 100, 248  | A15, B4, C1, D11, M14, P13  | 6, 73, 93, 134, 148          | 62, 76, 119             | 81                 |
| SPIC_POCI   | I/O      | SPI-C Peripheral Out, Controller In (POCI)                                                                                                            | 21, 51, 70, 101, 245      | B5, C2, C14, M13, T13       | 7, 76, 94, 135               | 77, 110                 | 76                 |
| SPIC_PTE    | I/O      | SPI-C Peripheral Transmit Enable (PTE)                                                                                                                | 53, 72, 103, 223, 244     | A14, D16, L15, R13, R14     | 75, 78, 96, 126, 139         | 65, 79, 105, 114        | 43, 80             |
| SPID_CLK    | I/O      | SPI-D Clock                                                                                                                                           | 32, 75, 90, 93, 223, 241  | C13, D3, E3, G16, N11, R14  | 66, 78, 117, 142             | 55, 65, 96              | 43                 |
| SPID_PICO   | I/O      | SPI-D Peripheral In, Controller Out (PICO)                                                                                                            | 30, 91, 222, 240          | A10, D2, N10, T14           | 65, 77, 150                  | 64, 120                 | 42, 83             |
| SPID_POCI   | I/O      | SPI-D Peripheral Out, Controller In (POCI)                                                                                                            | 31, 44, 92, 127, 220, 247 | B10, E2, E16, F13, G14, R11 | 68, 114, 118, 123, 149       | 57, 97, 102             | 39, 64, 70, 82     |
| SPID_PTE    | I/O      | SPI-D Peripheral Transmit Enable (PTE)                                                                                                                | 33, 45, 89, 94, 221, 246  | D4, E4, F16, G15, P11, P14  | 67, 116, 121                 | 56, 100                 | 38, 68             |
| SPIE_CLK    | I/O      | SPI-E Clock                                                                                                                                           | 12, 42                    | A3, C16                     | 130, 174                     | 107, 142                | 74, 100            |
| SPIE_PICO   | I/O      | SPI-E Peripheral In, Controller Out (PICO)                                                                                                            | 8, 38                     | D6, E14                     | 125, 170                     | 104, 138                | 72, 96             |
| SPIE_POCI   | I/O      | SPI-E Peripheral Out, Controller In (POCI)                                                                                                            | 9, 41                     | A5, N15                     | 89, 171                      | 73, 139                 | 50, 97             |
| SPIE_PTE    | I/O      | SPI-E Peripheral Transmit Enable (PTE)                                                                                                                | 11, 43                    | A4, C15                     | 131, 173                     | 108, 141                | 75, 99             |
| SYNCOUT     | O        | External ePWM Synchronization Pulse                                                                                                                   | 6, 230                    | B6, J5                      | 24, 166                      | 134                     | 94                 |
| TDI         | I        | JTAG test data input (TDI) with internal pullup. TDI is clocked into the selected register (instruction or data) on a rising edge of TCK.             | 222                       | T14                         | 77                           | 64                      | 42                 |
| TDO         | O        | JTAG scan out, test data output (TDO). The contents of the selected register (instruction or data) are shifted out of TDO on the falling edge of TCK. | 223                       | R14                         | 78                           | 65                      | 43                 |
| UARTA_RX    | I/O      | UART-A Serial Data Receive                                                                                                                            | 3, 28, 39, 43, 73, 85     | B11, C7, C15, D9, E13, P15  | 86, 131, 140, 154, 163       | 108, 131                | 75, 91             |
| UARTA_TX    | I/O      | UART-A Serial Data Transmit                                                                                                                           | 2, 27, 38, 42, 72, 84     | A14, B7, C9, C16, D11, E14  | 125, 130, 139, 148, 155, 162 | 104, 107, 114, 119, 130 | 72, 74, 80, 81, 90 |
| UARTB_RX    | I/O      | UART-B Serial Data Receive                                                                                                                            | 23, 45, 71, 223           | B8, B14, G15, R14           | 78, 116, 136, 159            | 65, 111, 127            | 43, 77, 87         |
| UARTB_TX    | I/O      | UART-B Serial Data Transmit                                                                                                                           | 22, 44, 70, 222           | C14, F1, G14, T14           | 14, 77, 114, 135             | 11, 64, 110             | 9, 42, 76          |
| UARTC_RX    | I/O      | UART-C Serial Data Receive                                                                                                                            | 13, 18, 37, 47            | A2, D15, F2, R16            | 13, 85, 129, 175             | 10, 143                 | 8                  |
| UARTC_TX    | I/O      | UART-C Serial Data Transmit                                                                                                                           | 10, 17, 36, 46            | B2, C5, D14, N14            | 4, 128, 172                  | 4, 140                  | 4, 98              |
| UARTD_RX    | I/O      | UART-D Serial Data Receive                                                                                                                            | 9, 49, 53, 77, 87         | A5, A13, C10, L15, M15      | 92, 96, 144, 171             | 75, 79, 116, 139        | 97                 |
| UARTD_TX    | I/O      | UART-D Serial Data Transmit                                                                                                                           | 8, 48, 52, 76, 86         | B13, C11, D6, L14, N16      | 90, 95, 143, 170             | 78, 115, 138            | 96                 |
| UARTE_RX    | I/O      | UART-E Serial Data Receive                                                                                                                            | 1, 19, 29                 | A7, A9, B1                  | 5, 151, 161                  | 5, 121, 129             | 84, 89             |
| UARTE_TX    | I/O      | UART-E Serial Data Transmit                                                                                                                           | 0, 26                     | A8, B9                      | 156, 160                     | 124, 128                | 85, 88             |
| UARTF_RX    | I/O      | UART-F Serial Data Receive                                                                                                                            | 5, 35, 65, 226            | A6, E1, H4, H16             | 10, 22, 112, 165             | 16, 93, 133             | 61, 93             |
| UARTF_TX    | I/O      | UART-F Serial Data Transmit                                                                                                                           | 4, 34, 64, 225            | D1, D7, H15, K5             | 9, 25, 111, 164              | 7, 17, 92, 132          | 12, 60, 92         |

**Table 5-3. Digital Signals (continued)**

| SIGNAL NAME | PIN TYPE | DESCRIPTION                                                                                                                                                                                                                                                                                                     | GPIO    | 256 ZEX  | 176 PTS | 144 RFS | 100 PZS |
|-------------|----------|-----------------------------------------------------------------------------------------------------------------------------------------------------------------------------------------------------------------------------------------------------------------------------------------------------------------|---------|----------|---------|---------|---------|
| X1          | I/O      | Crystal oscillator input or single-ended clock input. The device initialization software must configure this pin before the crystal oscillator is enabled. To use this oscillator, a quartz crystal circuit must be connected to X1 and X2. This pin can also be used to feed a single-ended 3.3-V level clock. | 220     | E16      | 123     | 102     | 70      |
| X2          | I/O      | Crystal oscillator output.                                                                                                                                                                                                                                                                                      | 221     | F16      | 121     | 100     | 68      |
| XCLKOUT     | O        | External Clock Output. This pin outputs a divided-down version of a chosen clock signal from within the device.                                                                                                                                                                                                 | 73, 219 | E13, M16 | 91, 140 | 74      | 51      |

### 5.3.3 Test, JTAG, and Reset

Table 5-4. Test, JTAG, and Reset

| SIGNAL NAME | PIN TYPE | DESCRIPTION                                                                                                                                                                                                                                                                                                                                                                                                                                                                                                                                                                                                                                                                                                                                                                                                                                     | 256 ZEX | 176 PTS | 144 RFS | 100 PZS |
|-------------|----------|-------------------------------------------------------------------------------------------------------------------------------------------------------------------------------------------------------------------------------------------------------------------------------------------------------------------------------------------------------------------------------------------------------------------------------------------------------------------------------------------------------------------------------------------------------------------------------------------------------------------------------------------------------------------------------------------------------------------------------------------------------------------------------------------------------------------------------------------------|---------|---------|---------|---------|
| FLT3        | I/O      | Flash test pin 3. Reserved for TI. Must be left unconnected.                                                                                                                                                                                                                                                                                                                                                                                                                                                                                                                                                                                                                                                                                                                                                                                    | M12     |         |         |         |
| TCK         | I        | JTAG test clock with internal pullup.                                                                                                                                                                                                                                                                                                                                                                                                                                                                                                                                                                                                                                                                                                                                                                                                           | R15     | 83      | 70      | 48      |
| TMS         | I/O      | JTAG test-mode select (TMS) with internal pullup. This serial control input is clocked into the TAP controller on the rising edge of TCK. This device does not have a TRSTn pin. An external pullup resistor (recommended 2.2 kΩ) on the TMS pin to VDDIO should be placed on the board to keep JTAG in reset during normal operation.                                                                                                                                                                                                                                                                                                                                                                                                                                                                                                          | T15     | 82      | 69      | 47      |
| VREGENZ     | I        | Internal voltage regulator enable with internal pullup. Tie low to VSS to enable internal VREG. Tie high to VDDIO to use an external supply.                                                                                                                                                                                                                                                                                                                                                                                                                                                                                                                                                                                                                                                                                                    |         |         |         | 65      |
| XRSn        | I/OD     | Device Reset (in) and Watchdog Reset (out). During a power-on condition, this pin is driven low by the device. An external circuit may also drive this pin to assert a device reset. This pin is also driven low by the MCU when a watchdog reset occurs. During watchdog reset, the XRSn pin is driven low for the watchdog reset duration of 512 OSCCLK cycles. A resistor between 2.2 kΩ and 10 kΩ should be placed between XRSn and VDDIO. If a capacitor is placed between XRSn and VSS for noise filtering, it should be 100 nF or smaller. These values will allow the watchdog to properly drive the XRSn pin to VOL within 512 OSCCLK cycles when the watchdog reset is asserted. This pin is an open-drain output with an internal pullup. If this pin is driven by an external device, it should be done using an open-drain device. | F14     | 124     | 103     | 71      |

## 5.4 Pins With Internal Pullup and Pulldown

Some pins on the device have internal pullups or pulldowns. [Table 5-5](#) lists the pull direction and when it is active. The pullups on GPIO pins are disabled by default and can be enabled through software. To avoid any floating unbonded inputs, the Boot ROM will enable internal pullups on GPIO pins that are not bonded out in a particular package. Other pins noted in [Table 5-5](#) with pullups and pulldowns are always on and cannot be disabled.

**Table 5-5. Pins With Internal Pullup and Pulldown**

| PIN                         | RESET<br>(XRSn = 0)           | DEVICE BOOT                    | APPLICATION         |
|-----------------------------|-------------------------------|--------------------------------|---------------------|
| GPIOx                       | Pullup disabled               | Pullup disabled <sup>(1)</sup> | Application defined |
| GPIO222/TDI                 | Pullup disabled               |                                | Application defined |
| GPIO223/TDO                 | Pullup disabled               |                                | Application defined |
| TCK                         | Pullup active                 |                                |                     |
| TMS                         | Pullup active                 |                                |                     |
| XRSn                        | Pullup active                 |                                |                     |
| Other pins (including AIOs) | No pullup or pulldown present |                                |                     |

(1) Pins not bonded out in a given package will have the internal pullups enabled by the Boot ROM.

## 5.5 Pin Multiplexing

[Table 5-6](#) lists the GPIO muxed pins.

### 5.5.1 GPIO Muxed Pins

Table 5-6. GPIO Muxed Pins

| 0, 4, 8, 12 | 1        | 2          | 3            | 5         | 6         | 7           | 9            | 10                  | 11       | 13         | 14              | 15           | ALT |
|-------------|----------|------------|--------------|-----------|-----------|-------------|--------------|---------------------|----------|------------|-----------------|--------------|-----|
| GPIO0       | EPWM1_A  | EMIF1_A13  | EMIF1_D0     | MCAND_TX  | I2CA_SDA  | UARTE_TX    | OUTPUTXBAR9  | ESC_TX0_DATA0       | ESC_GPI0 | FSITXA_D0  |                 |              |     |
| GPIO1       | EPWM1_B  | EMIF1_A14  | EMIF1_D3     | MCAND_RX  | I2CA_SCL  | UARTE_RX    | OUTPUTXBAR10 | ESC_TX1_DATA0       | ESC_GPI1 | FSITXA_D1  |                 |              |     |
| GPIO2       | EPWM2_A  | EMIF1_A15  | EMIF1_D4     | UARTA_TX  | I2CB_SDA  | MCANF_TX    | OUTPUTXBAR1  | ESC_RX1_ERR         | ESC_GPI2 | FSITXA_CLK |                 |              |     |
| GPIO3       | EPWM2_B  | EMIF1_A16  | EMIF1_D5     | UARTA_RX  | I2CB_SCL  | MCANF_RX    | OUTPUTXBAR2  |                     | ESC_GPI3 | FSIRXA_D0  |                 |              |     |
| GPIO4       | EPWM3_A  | EMIF1_A17  | EMIF1_D9     | MCANC_TX  |           | UARTF_TX    | OUTPUTXBAR3  |                     | ESC_GPI4 | FSIRXA_D1  |                 | ERRORSTS     |     |
| GPIO5       | EPWM3_B  | EMIF1_A18  | EMIF1_D10    | MCANC_RX  |           | UARTF_RX    | OUTPUTXBAR11 | OUTPUTXBAR3         | ESC_GPI5 | FSIRXA_CLK |                 |              |     |
| GPIO6       | EPWM4_A  | EMIF1_DQM0 | EMIF1_CLK    | MCANB_TX  | LINA_TX   |             | OUTPUTXBAR4  | SYNCOUT             | ESC_GPI6 | FSITXB_D0  |                 |              |     |
| GPIO7       | EPWM4_B  | EMIF1_DQM1 | EMIF1_CAS    | MCANB_RX  | LINA_RX   |             | OUTPUTXBAR5  |                     | ESC_GPI7 | FSITXB_D1  |                 |              |     |
| GPIO8       | EPWM5_A  | EMIF1_RAS  | EPWM4_B      | MCANC_TX  | SPIE_PICO | UARTD_TX    | OUTPUTXBAR12 | ADCSOCAA            | ESC_GPO0 | FSITXB_CLK | FSITXA_D1       | FSIRXA_D0    |     |
| GPIO9       | EPWM5_B  | EMIF1_D11  |              |           | SPIE_POCI | UARTD_RX    | OUTPUTXBAR6  | ESC_TX0_CLK         | ESC_GPO1 | FSIRXB_D0  | FSITXA_D0       | FSIRXA_CLK   |     |
| GPIO10      | EPWM8_A  | PMBUSA_SCL | ADCSOCBO     | MCANC_RX  | UARTC_TX  | I2CA_SCL    | SENT2        |                     |          | ESC_GPI19  | ADCA_EXTMUXSEL2 | OUTPUTXBAR13 |     |
| GPIO11      | EPWM6_B  | EMIF1_D15  | EPWM7_B      |           | SPIE_PTE  | SD4_D1      | PMBUSA_ALERT | ESC_TX0_DATA1       | ESC_GPO3 | FSIRXB_CLK | FSIRXA_D1       | OUTPUTXBAR7  |     |
| GPIO12      | EPWM7_A  | EMIF1_A1   | ADCSOCAA     |           | SPIE_CLK  | SD4_C2      | PMBUSA_CTL   | ESC_TX0_DATA2       | ESC_GPO4 | FSIRXC_D0  | FSIRXA_D0       | OUTPUTXBAR14 |     |
| GPIO13      | EPWM7_B  | EMIF1_CS0n | EMIF1_D9     |           | UARTC_RX  | SD4_D2      | PMBUSA_SDA   | ESC_TX0_DATA3       | ESC_GPO5 | FSIRXC_D1  | FSIRXA_CLK      | OUTPUTXBAR15 |     |
| GPIO14      | EPWM6_A  | EMIF1_D17  | EPWM18_A     | EMIF1_D13 | LINA_TX   | OUTPUTXBAR3 | PMBUSA_SCL   | ESC_PHY1_LINKSTATUS | ESC_GPO6 | FSIRXC_CLK | SD4_C1          | OUTPUTXBAR8  |     |
| GPIO15      | EPWM8_B  |            | PMBUSA_CTL   | I2CA_SDA  | LINA_RX   | OUTPUTXBAR4 | SENT1        | ESC_GPO7            |          | ESC_GPI20  | ADCA_EXTMUXSEL3 | OUTPUTXBAR16 |     |
| GPIO16      | EPWM9_A  | EMIF1_D29  | EMIF1_BA0    | SPIA_PICO |           | MCAND_TX    |              | ESC_RX1_CLK         | SD1_D1   | FSIRXD_D1  | FSIRXC_CLK      | OUTPUTXBAR7  |     |
| GPIO17      | EPWM9_B  | EMIF1_DQM3 | EMIF1_BA1    | SPIA_POCI |           | MCAND_RX    |              | ESC_RX1_DV          | SD1_C1   | FSIRXD_CLK | UARTC_TX        | OUTPUTXBAR8  |     |
| GPIO18      | EPWM15_A |            | PMBUSA_ALERT | I2CA_SCL  | UARTC_RX  |             | SENT4        |                     |          | ESC_GPI21  | ADCB_EXTMUXSEL0 |              |     |
| GPIO19      | EPWM10_B | EMIF1_CS3n | ADCSOCBO     | SPIA_PTE  | UARTE_RX  | MCANC_TX    | PMBUSA_ALERT | ESC_TX1_DATA3       | SD1_C2   |            |                 |              |     |
| GPIO20      | EPWM11_A | EMIF1_BA0  | EMIF1_DQM2   |           | SPIE_PICO | MCANB_RX    |              | ESC_TX1_DATA2       | SD1_D3   |            |                 |              |     |
| GPIO21      | EPWM11_B | EMIF1_BA1  |              |           | SPIE_POCI | MCANB_TX    |              | ESC_TX1_DATA1       | SD1_C3   |            |                 |              |     |
| GPIO22      | EPWM12_A |            | PMBUSA_SDA   | I2CB_SDA  | UARTB_TX  | MCANC_TX    | SENT5        | ESC_GPO2            |          | ESC_GPI22  | ADCB_EXTMUXSEL1 |              |     |
| GPIO23      | EPWM12_B |            | PMBUSA_SCL   | I2CB_SCL  | UARTB_RX  | MCANC_RX    | SENT6        | ESC_PHY_RESETn      |          | ESC_GPI23  | ADCC_EXTMUXSEL0 |              |     |
| GPIO24      | EPWM13_A | EMIF1_DQM0 |              | SPIB_PICO | LINB_TX   | MCANE_TX    |              | ESC_RX0_CLK         | SD2_D1   | ESC_GPI24  | EPWM2_A         | OUTPUTXBAR1  |     |
| GPIO25      | EPWM13_B | EMIF1_DQM1 |              | SPIB_POCI | LINB_RX   | MCANE_RX    | PMBUSA_SDA   | ESC_RX0_DV          | SD2_C1   | FSITXA_D1  | EPWM2_B         | OUTPUTXBAR2  |     |

**Table 5-6. GPIO Muxed Pins (continued)**

| 0, 4, 8, 12 | 1        | 2          | 3          | 5          | 6          | 7         | 9             | 10            | 11     | 13          | 14               | 15          | ALT |
|-------------|----------|------------|------------|------------|------------|-----------|---------------|---------------|--------|-------------|------------------|-------------|-----|
| GPIO26      | EPWM14_A | EMIF1_DQM2 |            | SPIB_CLK   | UARTE_TX   | MCANE_TX  | PMBUSA_CTL    | ESC_RX0_ERR   | SD2_D2 | FSITXA_D0   | ESC_MDIO_CLK     | OUTPUTXBAR3 |     |
| GPIO27      | EPWM14_B | EMIF1_DQM3 |            | SPIB_PTE   | UARTA_TX   |           | EPWM4_A       | ESC_RX0_DATA0 | SD2_C2 | FSITXA_CLK  | ESC_MDIO_DATA    | OUTPUTXBAR4 |     |
| GPIO28      | EPWM15_A | EMIF1_CS4n | EMIF1_CS2n |            | UARTA_RX   |           | EPWM4_B       | ESC_RX0_DATA1 | SD2_D3 |             |                  | OUTPUTXBAR5 |     |
| GPIO29      | EPWM15_B | PMBUSA_SDA |            |            | UARTE_RX   | I2CA_SDA  | SENT3         | ESC_LATCH0    |        | ESC_I2C_SDA | ADCC_EXTMUXSEL_1 | OUTPUTXBAR6 |     |
| GPIO30      | EPWM16_A | EMIF1_CLK  | EMIF1_CS4n | MCANC_RX   | SPIID_PICO | EMIF1_A12 |               | ESC_LATCH1    | SD2_D4 | ESC_I2C_SCL | ESC_SYNC1        | OUTPUTXBAR7 |     |
| GPIO31      | EPWM16_B | EMIF1_WEn  | EMIF1_RNW  | MCANC_TX   | SPIID_POCI | I2CA_SDA  |               | ESC_RX1_DATA0 | SD2_C4 | FSITXD_D0   |                  | OUTPUTXBAR8 |     |
| GPIO32      |          | EMIF1_CS0n | EMIF1_OEn  | SPIA_PICO  | SPIID_CLK  | I2CA_SDA  | OUTPUTXBAR9   | ESC_RX0_DATA0 |        |             |                  |             |     |
| GPIO33      |          | EMIF1_RNW  | EMIF1_BA0  | SPIA_POCI  | SPIID_PTE  | I2CA_SCL  | OUTPUTXBAR1_0 | ESC_LED_ERR   |        |             |                  |             |     |
| GPIO34      | EPWM18_A | EMIF1_CS2n | EMIF1_BA1  | SPIA_CLK   | UARTF_TX   | I2CB_SDA  | OUTPUTXBAR1_1 | ESC_LATCH0    |        | EPWM3_B     | ESC_SYNC0        | OUTPUTXBAR1 |     |
| GPIO35      | EPWM18_B | EMIF1_CS3n | EMIF1_A0   | SPIA_PTE   | UARTF_RX   | I2CB_SCL  | OUTPUTXBAR1_2 | ESC_LATCH1    |        |             | ESC_SYNC1        |             |     |
| GPIO36      |          | EMIF1_WAIT | EMIF1_A1   | UARTC_TX   | MCANC_RX   |           | OUTPUTXBAR1_3 |               | SD1_D1 |             | EMIF1_WEn        |             |     |
| GPIO37      | EPWM18_A | EMIF1_OEn  | EMIF1_A2   | UARTC_RX   | MCANC_TX   |           | OUTPUTXBAR1_4 | ESC_RX1_DATA1 | SD1_D2 |             | EMIF1_D24        | OUTPUTXBAR2 |     |
| GPIO38      | EPWM18_B | EMIF1_A0   | EMIF1_A3   | UARTA_TX   | SPIE_PICO  |           | OUTPUTXBAR1_5 | ESC_RX0_DATA1 | SD1_D3 | FSITXD_D1   | EMIF1_CS2n       |             |     |
| GPIO39      |          | EMIF1_A1   | EMIF1_A4   | UARTA_RX   |            |           | OUTPUTXBAR1_6 | ESC_MDIO_DATA | SD1_D4 | FSIRXD_CLK  |                  | ESC_LED_RUN |     |
| GPIO40      | EPWM13_A | EMIF1_A2   |            | MCANB_RX   | I2CB_SDA   |           | OUTPUTXBAR9   | ESC_GPO2      | SD4_C3 |             | EPWM1_A          | SD2_C1      |     |
| GPIO41      | EPWM13_B | EMIF1_A3   | EPWM18_A   | MCANB_TX   | SPIE_POCI  | I2CB_SCL  | OUTPUTXBAR1_0 | ESC_RX0_DATA2 | SD4_D3 | FSIRXD_CLK  | EPWM1_B          | SD2_D1      |     |
| GPIO42      | EPWM14_A | EMIF1_A2   | EMIF1_A13  | UARTA_TX   | SPIE_CLK   | I2CA_SDA  | OUTPUTXBAR1_3 | SD4_C3        | SD4_C4 | FSIRXD_D0   | ADCE_EXTMUXSEL_2 |             |     |
| GPIO43      | EPWM14_B | EMIF1_A4   | EMIF1_D13  | UARTA_RX   | SPIE_PTE   | I2CA_SCL  | OUTPUTXBAR1_4 |               | SD4_D4 | FSIRXD_D1   | ADCE_EXTMUXSEL_3 |             |     |
| GPIO44      |          | EMIF1_A4   |            | SPIID_POCI | MCANB_RX   | UARTB_TX  | OUTPUTXBAR1_4 | ESC_TX1_CLK   | SD3_C4 | FSIRXD_CLK  |                  |             |     |
| GPIO45      |          | EMIF1_A5   |            | SPIID_PTE  | MCANB_TX   | UARTB_RX  | OUTPUTXBAR1_5 | ESC_TX1_ENA   | SD3_D4 | FSIRXD_D0   |                  |             |     |
| GPIO46      | EPWM4_A  | EMIF1_A6   | EPWM14_A   | UARTC_TX   |            | MCANE_TX  |               | ESC_MDIO_CLK  | SD3_C4 |             |                  |             |     |
| GPIO47      | EPWM4_B  | EMIF1_A7   | EPWM14_B   | UARTC_RX   |            | MCANE_RX  |               | ESC_MDIO_DATA | SD4_C3 |             |                  |             |     |
| GPIO48      |          | EMIF1_A8   |            | UARTD_TX   |            |           | OUTPUTXBAR3   | ESC_PHY_CLK   | SD1_D1 | EPWM3_A     |                  | SD2_C2      |     |
| GPIO49      |          | EMIF1_A9   | EMIF1_A5   | UARTD_RX   |            |           | OUTPUTXBAR4   | ESC_TX1_DATA2 | SD1_C1 | FSITXA_D0   |                  | SD2_D1      |     |
| GPIO50      | EPWM15_A | EMIF1_A10  | EMIF1_A6   |            | SPIIC_PICO | MCANF_TX  |               | ESC_TX1_DATA1 | SD1_D2 | FSITXA_D1   | ESC_GPI25        | SD2_D2      |     |
| GPIO51      | EPWM15_B | EMIF1_A11  | EMIF1_A7   |            | SPIIC_POCI | MCANF_RX  |               | ESC_TX1_CLK   | SD1_C2 | FSITXA_CLK  | ESC_GPI26        | SD2_D3      |     |

Table 5-6. GPIO Muxed Pins (continued)

| 0, 4, 8, 12 | 1        | 2         | 3          | 5         | 6           | 7         | 9            | 10                   | 11         | 13         | 14              | 15        | ALT |
|-------------|----------|-----------|------------|-----------|-------------|-----------|--------------|----------------------|------------|------------|-----------------|-----------|-----|
| GPIO52      | EPWM16_A | EMIF1_A12 | EMIF1_A8   | UARTD_TX  | SPIC_CLK    |           |              | ESC_TX1_ENA          | SD1_D3     | FSIRXA_D0  |                 | SD2_D4    |     |
| GPIO53      | EPWM16_B | EMIF1_D31 | EMIF1_A9   | UARTD_RX  | SPIC_PTE    |           |              | ESC_PHY0_LINKSTATUS  | SD1_C3     | FSIRXA_D1  | ESC_GPI28       | SD1_C1    |     |
| GPIO54      |          | EMIF1_D30 | EMIF1_A10  | SPIA_PICO |             |           |              | ESC_PHY_CLK          | SD1_D4     | FSIRXA_CLK | ESC_GPI29       | SD1_C2    |     |
| GPIO55      | EPWM16_B | EMIF1_D29 | EMIF1_D0   | SPIA_POCI | EMIF1_WAIT  |           |              | ESC_PHY0_LINKSTATUS  | SD1_C4     | FSITXB_D0  |                 | SD1_C3    |     |
| GPIO56      | EPWM17_A | EMIF1_D28 | EMIF1_D1   | SPIA_CLK  | MCAND_TX    | I2CA_SDA  |              | ESC_PDI_UC_IRQ       | SD2_D1     | FSITXB_CLK | ESC_GPI30       | SD1_C4    |     |
| GPIO57      | EPWM17_B | EMIF1_D27 | EMIF1_D2   | SPIA_PTE  | MCAND_RX    | I2CA_SCL  |              | ESC_MDIO_DATA        | SD2_C1     | FSITXB_D1  | ESC_GPI31       | SD3_D3    |     |
| GPIO58      | EPWM13_A | EMIF1_D26 | EPWM8_A    | SPIA_PICO |             | MCANC_RX  | SENT1        | ESC_LED_LINK0_ACTIVE | SD2_D2     | FSIRXB_D0  | ESC_TX0_DATA3   | SD2_C2    |     |
| GPIO59      | EPWM5_A  | EMIF1_D25 | EPWM8_B    | SPIA_POCI |             | MCANC_TX  | SENT2        | ESC_LED_LINK1_ACTIVE | SD2_C2     | FSIRXB_D1  | ESC_TX0_ENA     | SD2_C3    |     |
| GPIO60      | EPWM3_B  | EMIF1_D24 | EMIF1_D0   | SPIA_CLK  | OUTPUTXBAR3 |           | SENT3        | ESC_LED_ERR          | ESC_LATCH0 | FSIRXB_CLK |                 | SD2_C4    |     |
| GPIO61      | EPWM17_B | EMIF1_D23 | EMIF1_D6   | SPIA_PTE  |             | MCANC_RX  | OUTPUTXBAR4  | ESC_LED_RUN          | SD2_C3     | FSITXD_CLK | ESC_LATCH1      |           |     |
| GPIO62      | EPWM17_A | EMIF1_D22 | EMIF1_D7   |           | MCANC_RX    | MCANC_TX  | SENT4        | ESC_LED_STATE_RUN    | SD2_D4     | FSITXD_D0  | ESC_MDIO_CLK    |           |     |
| GPIO63      | EPWM9_A  | EMIF1_D21 | EMIF1_RNW  | SPIB_PICO | MCANC_TX    |           | SENT5        | ESC_RX1_DATA0        | SD1_D1     | FSITXD_D1  | ADCD_EXTMUXSEL0 | SD2_C4    |     |
| GPIO64      | EPWM9_B  | EMIF1_D20 | EMIF1_WAIT | SPIB_POCI | MCANA_TX    | UARTF_TX  | SENT6        | ESC_RX1_DATA1        | SD1_C1     | FSITXD_CLK | ADCD_EXTMUXSEL1 |           |     |
| GPIO65      | EPWM10_A | EMIF1_D19 | EMIF1_WEn  | SPIB_CLK  | MCANA_RX    | UARTF_RX  |              | ESC_RX1_DATA2        | SD1_D2     | FSITXB_CLK | ADCD_EXTMUXSEL2 | ESC_GPI13 |     |
| GPIO66      | EPWM10_B | EMIF1_D18 | EMIF1_OEn  | SPIB_PTE  | I2CB_SDA    |           |              | ESC_RX1_DATA3        | SD1_C2     | FSITXB_D1  | ADCD_EXTMUXSEL3 | ESC_GPI14 |     |
| GPIO67      | EPWM17_A | EMIF1_D17 |            | LINB_TX   | MCAND_TX    |           |              |                      | SD1_D3     | FSITXB_CLK |                 |           |     |
| GPIO68      | EPWM17_B | EMIF1_D16 | EMIF1_D4   | LINB_RX   | MCAND_RX    | EMIF1_D13 |              | ESC_PHY1_LINKSTATUS  | SD1_C3     | FSIRXB_D1  |                 | ESC_GPI15 |     |
| GPIO69      | EPWM11_A | EMIF1_D15 |            | SPIC_PICO | I2CB_SCL    |           |              | ESC_RX1_CLK          | SD1_D4     | FSITXB_D0  |                 |           |     |
| GPIO70      | EPWM11_B | EMIF1_D14 |            | SPIC_POCI | MCANC_RX    | UARTB_TX  |              | ESC_RX1_DV           | SD1_C4     | FSIRXB_D0  |                 | ESC_GPI16 |     |
| GPIO71      | EPWM12_A | EPWM11_A  | EMIF1_D5   | SPIC_CLK  | MCANC_TX    | UARTB_RX  | EMIF1_D13    | ESC_RX1_ERR          | SD3_D1     | FSITXC_CLK | FSITXB_D0       |           |     |
| GPIO72      | EPWM12_B | EMIF1_D12 |            | SPIC_PTE  | MCANB_RX    | UARTA_TX  | OUTPUTXBAR8  | ESC_TX1_DATA3        | SD3_D2     | FSITXC_D0  | SD3_C1          |           |     |
| GPIO73      | EPWM5_B  | EMIF1_D11 | XCLKOUT    |           | MCANB_TX    | UARTA_RX  | OUTPUTXBAR6  | ESC_TX1_DATA2        | SD4_D4     | FSITXC_CLK | SD2_D2          |           |     |
| GPIO74      | EPWM8_A  | EMIF1_D10 |            |           | MCANC_TX    |           |              | ESC_TX1_DATA1        | SD1_D4     | FSITXA_D0  | SD2_C2          |           |     |
| GPIO75      | EPWM8_B  | EMIF1_D9  |            | SPID_CLK  | MCANC_RX    |           | OUTPUTXBAR16 | ESC_TX1_DATA0        |            |            | SD2_D3          |           |     |
| GPIO76      | EPWM9_A  | EMIF1_D8  |            | UARTD_TX  |             | MCANE_TX  | SD4_D4       | ESC_PHY_RESETn       | SD3_C1     | FSIRXC_D0  | SD2_C3          | ESC_GPI17 |     |
| GPIO77      | EPWM9_B  | EMIF1_D7  |            | UARTD_RX  |             | MCANE_RX  | SD1_D4       | ESC_RX0_CLK          | SD3_D1     | FSITXB_D0  | SD2_D4          |           |     |

**Table 5-6. GPIO Muxed Pins (continued)**

| 0, 4, 8, 12 | 1        | 2          | 3          | 5         | 6         | 7        | 9          | 10                  | 11     | 13         | 14            | 15        | ALT |
|-------------|----------|------------|------------|-----------|-----------|----------|------------|---------------------|--------|------------|---------------|-----------|-----|
| GPIO78      | EPWM10_A | EMIF1_D6   | EPWM11_A   |           |           | MCANF_TX | SD4_D4     | ESC_RX0_DV          | SD3_C2 | FSITXC_D1  | SD2_C4        | ESC_GPI18 |     |
| GPIO79      | EPWM10_B | EMIF1_D5   |            | ERRORSTS  |           |          |            | ESC_RX0_ERR         | SD3_D2 | FSITXC_D0  | SD2_D1        |           |     |
| GPIO80      | EPWM11_A | EMIF1_D4   |            | ERRORSTS  |           |          | SD1_D4     | ESC_RX0_DATA0       | SD3_C3 |            | SD2_C1        |           |     |
| GPIO81      | EPWM11_B | EMIF1_D3   |            |           |           |          |            | ESC_RX0_DATA1       | SD3_D3 |            |               |           |     |
| GPIO82      | EPWM12_A | EMIF1_D2   |            |           |           |          |            | ESC_RX0_DATA2       | SD3_C2 |            |               |           |     |
| GPIO83      | EPWM12_B | EMIF1_D1   |            |           |           |          |            | ESC_RX0_DATA3       | SD3_D2 |            |               |           |     |
| GPIO84      | EPWM12_B | EMIF1_D1   | EMIF1_CS4n | SPIC_PICO | UARTA_TX  | MCANF_RX |            | ESC_TX0_ENA         | SD3_C2 | FSITXC_D1  | ESC_RX0_DATA3 | ESC_GPO24 |     |
| GPIO85      | EPWM13_A | EMIF1_D0   |            |           | UARTA_RX  |          | EMIF1_DQM2 | ESC_TX0_CLK         | SD3_D3 |            |               |           |     |
| GPIO86      | EPWM13_B | EMIF1_A13  | EMIF1_CAS  |           | UARTD_TX  |          |            | ESC_PHY0_LINKSTATUS | SD3_C3 |            |               |           |     |
| GPIO87      | EPWM14_A | EMIF1_A14  | EMIF1_RAS  |           | UARTD_RX  |          | EMIF1_DQM3 | ESC_TX0_DATA0       | SD3_D4 |            |               |           |     |
| GPIO88      | EPWM14_B | EMIF1_A15  | EMIF1_DQM0 |           |           |          | EMIF1_DQM1 | ESC_TX0_DATA1       | SD3_C4 |            |               |           |     |
| GPIO89      | EPWM15_A | EMIF1_A16  | EMIF1_DQM1 | SPID_PTE  |           |          | EMIF1_CAS  | ESC_TX0_DATA2       | SD1_D3 |            | SD4_D1        |           |     |
| GPIO90      | EPWM15_B | EMIF1_A17  | EMIF1_DQM2 | SPID_CLK  |           |          | EMIF1_RAS  | ESC_TX0_DATA3       | SD1_C3 |            | SD4_C1        |           |     |
| GPIO91      | EPWM16_A | EMIF1_A18  | EMIF1_DQM3 | SPID_PICO | I2CA_SDA  | MCAND_TX | EMIF1_DQM2 |                     | SD4_D2 |            | OUTPUTXBAR9   |           |     |
| GPIO92      | EPWM16_B | EMIF1_A19  | EMIF1_BA1  | SPID_POCI | I2CA_SCL  | MCAND_RX | EMIF1_DQM0 | FSIRXD_CLK          | SD4_C2 |            | OUTPUTXBAR10  |           |     |
| GPIO93      | EPWM17_A |            | EMIF1_BA0  | SPID_CLK  |           |          |            | ESC_TX1_CLK         | SD4_D3 |            | OUTPUTXBAR11  |           |     |
| GPIO94      | EPWM17_B |            |            | SPID_PTE  |           |          | EMIF1_BA1  | ESC_TX1_ENA         | SD4_C3 |            | OUTPUTXBAR12  |           |     |
| GPIO95      | EPWM18_A |            |            |           |           |          |            | ESC_GPO10           | SD1_D1 |            | OUTPUTXBAR13  |           |     |
| GPIO96      | EPWM18_B |            |            |           |           |          |            | ESC_GPO11           | SD1_C1 |            | OUTPUTXBAR14  |           |     |
| GPIO97      |          |            |            |           |           |          |            | ESC_GPI17           | SD1_D2 |            | OUTPUTXBAR15  |           |     |
| GPIO98      |          |            |            |           |           |          |            | ESC_GPI18           | SD1_C2 |            | OUTPUTXBAR16  |           |     |
| GPIO99      | EPWM8_A  | EMIF1_DQM3 | EMIF1_D17  |           |           |          |            | ESC_GPI21           | SD4_D4 |            |               |           |     |
| GPIO100     | EPWM9_A  | EMIF1_BA1  | EMIF1_D24  | SPIC_PICO | SPIA_PICO |          | SD1_D1     | ESC_GPI0            | SD4_C4 | FSITXA_D0  | FSIRXD_D1     |           |     |
| GPIO101     | EPWM18_A | EMIF1_A5   |            | SPIC_POCI |           |          |            | ESC_GPI1            |        | FSITXA_D1  |               |           |     |
| GPIO103     | EPWM8_B  | EMIF1_BA0  | EMIF1_D3   | SPIC_PTE  |           |          |            | ESC_GPI3            | SD4_C4 | FSIRXA_D0  |               | ESC_GPO25 |     |
| GPIO105     | EPWM18_B |            |            | I2CA_SCL  |           |          |            | ESC_GPI5            | SD3_C1 | FSIRXA_CLK |               |           |     |

Table 5-6. GPIO Muxed Pins (continued)

| 0, 4, 8, 12 | 1        | 2         | 3         | 5         | 6        | 7        | 9           | 10        | 11     | 13                   | 14              | 15        | ALT |
|-------------|----------|-----------|-----------|-----------|----------|----------|-------------|-----------|--------|----------------------|-----------------|-----------|-----|
| GPIO127     | EPWM18_A | EMIF1_D18 | EMIF1_A11 | SPID_POCI |          |          |             | ESC_GPI27 | SD1_C3 | FSIRXC_D1            | ESC_SYNC0       | ESC_GPO26 |     |
| GPIO219     | ERRORSTS | EMIF1_A19 | EPWM18_B  |           |          |          | OUTPUTXBAR1 | XCLKOUT   | SD2_C1 | ESC_GPI8             | ESC_TX0_ENA     | ESC_GPO27 |     |
| GPIO220     | EPWM6_A  |           |           | SPID_POCI | MCANC_TX |          | OUTPUTXBAR2 |           | SD3_D3 | ESC_GPI9             |                 | ESC_GPO28 | X1  |
| GPIO221     | EPWM6_B  |           | EMIF1_CAS | SPID_PTE  | MCANC_RX |          | OUTPUTXBAR3 |           | SD3_C3 | ESC_GPI10            |                 | ESC_GPO29 | X2  |
| GPIO222     | TDI      | EPWM7_A   |           | SPID_PICO | UARTB_TX | I2CB_SCL | OUTPUTXBAR4 | SPIC_CLK  | SD3_D4 | ESC_GPI11            |                 | ESC_GPO30 |     |
| GPIO223     | TDO      | EPWM7_B   |           | SPID_CLK  | UARTB_RX | I2CB_SDA | OUTPUTXBAR5 | SPIC_PTE  | SD3_C4 | ESC_GPI12            |                 | ESC_GPO31 |     |
| GPIO224     | EPWM12_A | EPWM12_B  |           | SPIB_POCI | MCAND_RX |          | OUTPUTXBAR5 |           | SD4_D2 |                      | ADCA_EXTMUXSEL0 | ESC_GPO8  |     |
| GPIO225     | EPWM11_B |           |           | SPIB_PICO | I2CB_SDA | UARTF_TX | OUTPUTXBAR4 |           | SD4_C1 |                      | ADCA_EXTMUXSEL1 | ESC_GPO9  |     |
| GPIO226     | EPWM10_A |           |           | SPIA_PTE  | MCAND_TX | UARTF_RX | OUTPUTXBAR1 | SD1_C3    | SD1_D3 |                      | ADCA_EXTMUXSEL2 | ESC_GPO10 |     |
| GPIO227     | EPWM14_B |           |           | SPIA_CLK  |          |          | OUTPUTXBAR4 |           | SD2_C2 |                      | ADCA_EXTMUXSEL3 |           |     |
| GPIO228     | EPWM18_A | EPWM13_A  |           | SPIB_POCI | LINB_TX  |          | OUTPUTXBAR1 | SENT4     | SD2_D1 |                      |                 |           |     |
| GPIO229     | EPWM17_B | EPWM12_B  |           | SPIB_PICO | MCANA_RX |          |             | SENT3     | SD1_C4 |                      |                 |           |     |
| GPIO230     | EPWM11_A |           | SYNCOUT   |           | I2CB_SCL |          | OUTPUTXBAR3 |           | SD4_D1 |                      | ADCB_EXTMUXSEL0 |           |     |
| GPIO231     | EPWM10_B |           |           | SPIA_PICO | MCAND_RX |          | OUTPUTXBAR2 |           | SD1_C3 |                      | ADCB_EXTMUXSEL1 |           |     |
| GPIO232     | EPWM14_A | EPWM8_B   |           | SPIA_POCI |          |          | OUTPUTXBAR3 | SENT6     | SD3_D1 | ESC_PHY0_LINKSTATUS  | ADCB_EXTMUXSEL2 | ESC_GPO11 |     |
| GPIO233     | EPWM18_B | EPWM13_B  |           |           | LINB_RX  |          | OUTPUTXBAR2 | SENT5     | SD2_C1 | ESC_PHY1_LINKSTATUS  | ADCB_EXTMUXSEL3 | ESC_GPO12 |     |
| GPIO234     | EPWM17_A | EPWM12_A  |           | SPIB_PTE  | MCANA_TX |          |             | SENT2     | SD1_D4 |                      |                 | ESC_GPO13 |     |
| GPIO235     | EPWM9_B  |           |           | SPIB_CLK  | MCANA_RX |          |             | SENT1     | SD1_C1 |                      |                 | ESC_GPO14 |     |
| GPIO236     | EPWM12_B | EPWM8_A   |           |           | LINA_RX  |          | OUTPUTXBAR6 |           | SD4_C2 | ESC_I2C_SDA          | ADCC_EXTMUXSEL0 |           |     |
| GPIO237     | EPWM14_A | EPWM8_B   | EPWM17_B  |           | LINA_TX  | I2CA_SDA | OUTPUTXBAR7 |           | SD4_D3 | ESC_I2C_SCL          | ADCC_EXTMUXSEL1 |           |     |
| GPIO238     | EPWM15_B |           |           |           |          |          | OUTPUTXBAR6 | SD1_D3    | SD2_C3 | ESC_SYNC0            | ADCC_EXTMUXSEL2 | ESC_GPO15 |     |
| GPIO239     | EPWM16_B |           |           |           | LINB_TX  | I2CA_SCL | OUTPUTXBAR8 |           | SD2_C4 | ESC_SYNC1            | ADCC_EXTMUXSEL3 | ESC_GPO16 |     |
| GPIO240     | EPWM14_B |           |           | SPID_PICO |          |          |             |           | SD4_C3 | ESC_LED_RUN          | ADCD_EXTMUXSEL0 |           |     |
| GPIO241     | EPWM8_A  |           |           | SPID_CLK  |          |          |             |           | SD4_D4 | ESC_LED_ERR          | ADCD_EXTMUXSEL1 | ESC_GPO17 |     |
| GPIO242     |          |           |           |           | SD1_D4   | I2CA_SDA | OUTPUTXBAR9 | SENT1     | SD2_D2 | ESC_LED_STATE_RUN    | ADCD_EXTMUXSEL2 | ESC_GPO18 |     |
| GPIO243     | EPWM8_B  |           |           |           |          |          |             | SENT2     | SD2_D4 | ESC_LED_LINK0_ACTIVE | ADCD_EXTMUXSEL3 | ESC_GPO19 |     |

**Table 5-6. GPIO Muxed Pins (continued)**

| 0, 4, 8, 12 | 1        | 2           | 3 | 5         | 6        | 7       | 9           | 10    | 11     | 13                   | 14               | 15        | ALT |
|-------------|----------|-------------|---|-----------|----------|---------|-------------|-------|--------|----------------------|------------------|-----------|-----|
| GPIO244     |          |             |   | SPIC_PTE  |          |         |             | SENT5 | SD4_C4 | ESC_LED_LINK1_ACTIVE |                  |           |     |
| GPIO245     |          |             |   | SPIC_POCI |          |         |             | SENT6 | SD3_C1 | ESC_PHY_RESETn       |                  |           |     |
| GPIO246     | EPWM16_A |             |   | SPID_PTE  | MCANC_RX |         | OUTPUTXBAR7 |       | SD1_D1 |                      | ADCE_EXTMUXSEL_0 | ESC_GPO20 |     |
| GPIO247     | EPWM15_A | ERRORSTS    |   | SPID_POCI | MCANC_RX | LINA_TX | OUTPUTXBAR5 |       | SD2_D3 |                      | ADCE_EXTMUXSEL_1 | ESC_GPO21 |     |
| GPIO248     |          | EMIF1_SDCKE |   | SPIC_PICO |          |         |             | SENT3 | SD1_C2 | ESC_LED_RUN          | ADCE_EXTMUXSEL_2 | ESC_GPO22 |     |
| GPIO249     |          |             |   | SPIC_CLK  |          |         |             | SENT4 | SD1_D2 | ESC_PHY0_LINKSTATUS  | ADCE_EXTMUXSEL_3 | ESC_GPO23 |     |
| AIO160      |          |             |   |           |          |         |             |       | SD3_C2 |                      |                  |           |     |
| AIO161      |          |             |   |           |          |         |             |       | SD3_D2 |                      |                  |           |     |
| AIO162      |          |             |   |           |          |         |             |       | SD2_C2 |                      |                  |           |     |
| AIO163      |          |             |   |           |          |         |             |       | SD2_D2 |                      |                  |           |     |
| AIO164      |          |             |   |           |          |         |             |       | SD2_C3 |                      |                  |           |     |
| AIO165      |          |             |   |           |          |         |             |       | SD2_D3 |                      |                  |           |     |
| AIO166      |          |             |   |           |          |         |             |       | SD4_C1 |                      |                  |           |     |
| AIO167      |          |             |   |           |          |         |             |       | SD4_D1 |                      |                  |           |     |
| AIO168      |          |             |   |           |          |         |             |       | SD3_C3 |                      |                  |           |     |
| AIO169      |          |             |   |           |          |         |             |       | SD3_D3 |                      |                  |           |     |
| AIO170      |          |             |   |           |          |         |             |       | SD3_C4 |                      |                  |           |     |
| AIO171      |          |             |   |           |          |         |             |       | SD3_D4 |                      |                  |           |     |
| AIO172      |          |             |   |           |          |         |             |       | SD1_C1 |                      |                  |           |     |
| AIO173      |          |             |   |           |          |         |             |       | SD1_D1 |                      |                  |           |     |
| AIO174      |          |             |   |           |          |         |             |       | SD2_C4 |                      |                  |           |     |
| AIO175      |          |             |   |           |          |         |             |       | SD2_D4 |                      |                  |           |     |
| AIO176      |          |             |   |           |          |         |             |       | SD4_C2 |                      |                  |           |     |
| AIO177      |          |             |   |           |          |         |             |       | SD4_D2 |                      |                  |           |     |
| AIO178      |          |             |   |           |          |         |             |       | SD4_C3 |                      |                  |           |     |
| AIO179      |          |             |   |           |          |         |             |       | SD4_D3 |                      |                  |           |     |
| AIO180      |          |             |   |           |          |         |             |       | SD1_C2 |                      |                  |           |     |
| AIO181      |          |             |   |           |          |         |             |       | SD1_D2 |                      |                  |           |     |
| AIO182      |          |             |   |           |          |         |             |       | SD3_C1 |                      |                  |           |     |
| AIO183      |          |             |   |           |          |         |             |       | SD3_D1 |                      |                  |           |     |
| AIO184      |          |             |   |           |          |         |             |       | SD3_C2 |                      |                  |           |     |
| AIO185      |          |             |   |           |          |         |             |       | SD3_D2 |                      |                  |           |     |
| AIO186      |          |             |   |           |          |         |             |       | SD1_C1 |                      |                  |           |     |
| AIO187      |          |             |   |           |          |         |             |       | SD1_D1 |                      |                  |           |     |
| AIO188      |          |             |   |           |          |         |             |       | SD1_C2 |                      |                  |           |     |
| AIO189      |          |             |   |           |          |         |             |       | SD1_D2 |                      |                  |           |     |
| AIO190      |          |             |   |           |          |         |             |       | SD1_C3 |                      |                  |           |     |

**Table 5-6. GPIO Muxed Pins (continued)**

| 0, 4, 8, 12 | 1 | 2 | 3 | 5 | 6 | 7 | 9 | 10 | 11     | 13 | 14 | 15 | ALT |
|-------------|---|---|---|---|---|---|---|----|--------|----|----|----|-----|
| AIO191      |   |   |   |   |   |   |   |    | SD1_D3 |    |    |    |     |
| AIO192      |   |   |   |   |   |   |   |    | SD1_C3 |    |    |    |     |
| AIO193      |   |   |   |   |   |   |   |    | SD1_D3 |    |    |    |     |
| AIO194      |   |   |   |   |   |   |   |    | SD1_C4 |    |    |    |     |
| AIO195      |   |   |   |   |   |   |   |    | SD1_D4 |    |    |    |     |
| AIO196      |   |   |   |   |   |   |   |    | SD4_C4 |    |    |    |     |
| AIO197      |   |   |   |   |   |   |   |    | SD4_D4 |    |    |    |     |
| AIO198      |   |   |   |   |   |   |   |    | SD1_C4 |    |    |    |     |
| AIO199      |   |   |   |   |   |   |   |    | SD1_D4 |    |    |    |     |
| AIO200      |   |   |   |   |   |   |   |    | SD2_C1 |    |    |    |     |
| AIO201      |   |   |   |   |   |   |   |    | SD2_D1 |    |    |    |     |
| AIO202      |   |   |   |   |   |   |   |    | SD2_C1 |    |    |    |     |
| AIO203      |   |   |   |   |   |   |   |    | SD2_D1 |    |    |    |     |
| AIO204      |   |   |   |   |   |   |   |    | SD3_C3 |    |    |    |     |
| AIO205      |   |   |   |   |   |   |   |    | SD3_D3 |    |    |    |     |
| AIO206      |   |   |   |   |   |   |   |    | SD3_C4 |    |    |    |     |
| AIO207      |   |   |   |   |   |   |   |    | SD3_D4 |    |    |    |     |
| AIO208      |   |   |   |   |   |   |   |    | SD2_C2 |    |    |    |     |
| AIO209      |   |   |   |   |   |   |   |    | SD2_D2 |    |    |    |     |
| AIO210      |   |   |   |   |   |   |   |    | SD2_C3 |    |    |    |     |
| AIO211      |   |   |   |   |   |   |   |    | SD2_D3 |    |    |    |     |
| AIO212      |   |   |   |   |   |   |   |    | SD2_C4 |    |    |    |     |
| AIO213      |   |   |   |   |   |   |   |    | SD2_D4 |    |    |    |     |

## 5.6 Connections for Unused Pins

For applications that do not need to use all functions of the device, [Table 5-7](#) lists acceptable conditioning for any unused pins. When multiple options are listed in [Table 5-7](#), any are acceptable. Pins not listed in [Table 5-7](#) must be connected according to the Pin Attributes table.

**Table 5-7. Connections for Unused Pins**

| SIGNAL NAME                          | ACCEPTABLE PRACTICE                                                                                                                                                                                                                                                                         |
|--------------------------------------|---------------------------------------------------------------------------------------------------------------------------------------------------------------------------------------------------------------------------------------------------------------------------------------------|
| <b>Analog</b>                        |                                                                                                                                                                                                                                                                                             |
| VREFH <sub>x</sub>                   | Tie to VDDA                                                                                                                                                                                                                                                                                 |
| VREFLO <sub>x</sub>                  | Tie to VSSA                                                                                                                                                                                                                                                                                 |
| ADCIN <sub>x</sub> (except DAC pins) | <ul style="list-style-type: none"> <li>• No Connect</li> <li>• Tie to VSSA</li> </ul>                                                                                                                                                                                                       |
| ADCIN <sub>x</sub> (DAC pins)        | <ul style="list-style-type: none"> <li>• No Connect</li> <li>• Pulldown to VSSA through 5-kΩ resistor</li> </ul>                                                                                                                                                                            |
| <b>Digital</b>                       |                                                                                                                                                                                                                                                                                             |
| GPIO <sub>x</sub>                    | <ul style="list-style-type: none"> <li>• No connection (input mode with internal pullup enabled)</li> <li>• No connection (output mode with internal pullup disabled)</li> <li>• Pullup or pulldown resistor (any value resistor, input mode, and with internal pullup disabled)</li> </ul> |
| X1                                   | Tie to VSS                                                                                                                                                                                                                                                                                  |
| X2                                   | No Connect                                                                                                                                                                                                                                                                                  |
| TCK                                  | <ul style="list-style-type: none"> <li>• No Connect</li> <li>• Pullup resistor</li> </ul>                                                                                                                                                                                                   |
| TDI                                  | <ul style="list-style-type: none"> <li>• No Connect</li> <li>• Pullup resistor</li> </ul>                                                                                                                                                                                                   |
| TDO                                  | No Connect                                                                                                                                                                                                                                                                                  |
| TMS                                  | No Connect                                                                                                                                                                                                                                                                                  |
| ERRORSTS                             | No Connect                                                                                                                                                                                                                                                                                  |
| <b>Power and Ground</b>              |                                                                                                                                                                                                                                                                                             |
| VDD                                  | All VDD pins must be connected per the <i>Pin Attributes</i> table.                                                                                                                                                                                                                         |
| VDDA                                 | If a dedicated analog supply is not used, tie to VDDIO.                                                                                                                                                                                                                                     |
| VDDIO                                | All VDDIO pins must be connected per the <i>Pin Attributes</i> table.                                                                                                                                                                                                                       |
| VSS                                  | All VSS pins must be connected to board ground.                                                                                                                                                                                                                                             |
| VSSA                                 | If a dedicated analog ground is not used, tie to VSS.                                                                                                                                                                                                                                       |
| VSSOSC                               | Connect this pin to the board ground.                                                                                                                                                                                                                                                       |

## 6 Specifications

### 6.1 Absolute Maximum Ratings

over operating free-air temperature range (unless otherwise noted) <sup>(1)</sup> <sup>(2)</sup>

|                                                                             |                                                                                        | MIN  | MAX | UNIT |
|-----------------------------------------------------------------------------|----------------------------------------------------------------------------------------|------|-----|------|
| Supply voltage                                                              | VDD with respect to VSS                                                                | -0.3 | 1.5 | V    |
| Supply voltage                                                              | VDDIO with respect to VSS                                                              | -0.3 | 4.6 |      |
|                                                                             | VDDA with respect to VSSA                                                              | -0.3 | 4.6 |      |
| Input voltage <sup>(7)</sup>                                                | V <sub>IN</sub> (3.3 V)                                                                | -0.3 | 4.6 | V    |
|                                                                             | V <sub>IN</sub> (5.0 V) <sup>(5)</sup>                                                 | -0.3 | 6.0 | V    |
| Output voltage                                                              | V <sub>O</sub>                                                                         | -0.3 | 4.6 | V    |
| Input clamp current - per pin <sup>(4)</sup> <sup>(6)</sup>                 | I <sub>IK</sub><br>- V <sub>IN</sub> < VSS/VSSA<br>- V <sub>IN</sub> > VDDIO/VDDA      | -20  | 20  | mA   |
| Input clamp current - per pin:<br>GPIO10/15/18/22/23/29                     | I <sub>IK</sub><br>- V <sub>IN</sub> < VSS                                             | -20  |     |      |
| Input clamp current - total for all inputs <sup>(4)</sup><br><sup>(6)</sup> | I <sub>IKTOTAL</sub><br>- V <sub>IN</sub> < VSS/VSSA<br>- V <sub>IN</sub> > VDDIO/VDDA | -20  | 20  |      |
| Output current                                                              | Digital output (per pin), I <sub>OUT</sub>                                             | -20  | 20  | mA   |
| Operating junction temperature                                              | T <sub>J</sub>                                                                         | -40  | 150 | °C   |
| Storage temperature <sup>(3)</sup>                                          | T <sub>stg</sub>                                                                       | -65  | 150 | °C   |

- (1) Operation outside the *Absolute Maximum Ratings* may cause permanent device damage. *Absolute Maximum Ratings* do not imply functional operation of the device at these or any other conditions beyond those listed under *Recommended Operating Conditions*. If used outside the *Recommended Operating Conditions* but within the *Absolute Maximum Ratings*, the device may not be fully functional, and this may affect device reliability, functionality, performance, and shorten the device lifetime.
- (2) All voltage values are with respect to VSS, unless otherwise noted.
- (3) Long-term high-temperature storage or extended use at maximum temperature conditions may result in a reduction of overall device life. For additional information, see the [Semiconductor and IC Package Thermal Metrics Application Report](#).
- (4) Continuous clamp current per pin is ±2 mA. Do not operate in this condition continuously as V<sub>DDIO</sub>/V<sub>DDA</sub> voltage may internally rise and impact other electrical specifications.
- (5) GPIO10, GPIO15, GPIO18, GPIO22, GPIO23 and GPIO29
- (6) Applying a V<sub>IN</sub> greater than VDDIO/VDDA or less than VSS/VSSA will turn on the ESD current clamping diode causing additional current to flow to the respective supply rail. If this occurs, the current must be kept within the MIN/MAX listed to prevent permanent damage to the device.
- (7) Input clamp current must also be observed.

## 6.2 F29H85x ESD Ratings – Commercial

|                                                |                               |                                                                       | VALUE                                                        | UNIT |      |
|------------------------------------------------|-------------------------------|-----------------------------------------------------------------------|--------------------------------------------------------------|------|------|
| 850TU9, 850DU7, 850DM7 in 256-ball ZEX package |                               |                                                                       |                                                              |      |      |
| V <sub>(ESD)</sub>                             | Electrostatic discharge (ESD) | Human-body model (HBM), per ANSI/ESDA/JEDEC JS-001 <sup>(1)</sup>     | ±2000                                                        | V    |      |
|                                                |                               | Charged-device model (CDM), per ANSI/ESDA/JEDEC JS-002 <sup>(2)</sup> | All pins                                                     |      | ±500 |
|                                                |                               |                                                                       | Corner balls on 256-ball ZEX: A1, A16, T16, T1               |      | ±750 |
| 850TU9, 850DU7, 850DM7 in 176-pin PTS package  |                               |                                                                       |                                                              |      |      |
| V <sub>(ESD)</sub>                             | Electrostatic discharge (ESD) | Human-body model (HBM), per ANSI/ESDA/JEDEC JS-001 <sup>(1)</sup>     | ±2000                                                        | V    |      |
|                                                |                               | Charged-device model (CDM), per ANSI/ESDA/JEDEC JS-002 <sup>(2)</sup> | All pins                                                     |      | ±500 |
|                                                |                               |                                                                       | Corner pins on 176-pin PTS: 1, 44, 45, 88, 89, 132, 133, 176 |      | ±750 |
| 850TU9, 850DU7, 850DM7 in 144-pin RFS package  |                               |                                                                       |                                                              |      |      |
| V <sub>(ESD)</sub>                             | Electrostatic discharge (ESD) | Human-body model (HBM), per ANSI/ESDA/JEDEC JS-001 <sup>(1)</sup>     | ±2000                                                        | V    |      |
|                                                |                               | Charged-device model (CDM), per ANSI/ESDA/JEDEC JS-002 <sup>(2)</sup> | All pins                                                     |      | ±500 |
|                                                |                               |                                                                       | Corner pins on 144-pin RFS: 1, 36, 37, 72, 73, 108, 109, 144 |      | ±750 |

- (1) JEDEC document JEP155 states that 500-V HBM allows safe manufacturing with a standard ESD control process.  
 (2) JEDEC document JEP157 states that 250-V CDM allows safe manufacturing with a standard ESD control process.

## 6.3 F29H85x ESD Ratings – Automotive

|                                                        |                         |                                                         | VALUE                                                        | UNIT |      |
|--------------------------------------------------------|-------------------------|---------------------------------------------------------|--------------------------------------------------------------|------|------|
| 859TU8, 859TM8, 859DU6, 859DM6 in 256-ball ZEX package |                         |                                                         |                                                              |      |      |
| V <sub>(ESD)</sub>                                     | Electrostatic discharge | Human body model (HBM), per AEC Q100-002 <sup>(1)</sup> | ±2000                                                        | V    |      |
|                                                        |                         | Charged device model (CDM), per AEC Q100-011            | All pins                                                     |      | ±500 |
|                                                        |                         |                                                         | Corner balls on 256-ball ZEX: A1, A16, T16, T1               |      | ±750 |
| 859TU8, 859TM8, 859DU6, 859DM6 in 176-pin PTS package  |                         |                                                         |                                                              |      |      |
| V <sub>(ESD)</sub>                                     | Electrostatic discharge | Human body model (HBM), per AEC Q100-002 <sup>(1)</sup> | ±2000                                                        | V    |      |
|                                                        |                         | Charged device model (CDM), per AEC Q100-011            | All pins                                                     |      | ±500 |
|                                                        |                         |                                                         | Corner pins on 176-pin PTS: 1, 44, 45, 88, 89, 132, 133, 176 |      | ±750 |
| 859TU8, 859TM8, 859DU6, 859DM6 in 144-pin RFS package  |                         |                                                         |                                                              |      |      |
| V <sub>(ESD)</sub>                                     | Electrostatic discharge | Human body model (HBM), per AEC Q100-002 <sup>(1)</sup> | ±2000                                                        | V    |      |
|                                                        |                         | Charged device model (CDM), per AEC Q100-011            | All pins                                                     |      | ±500 |
|                                                        |                         |                                                         | Corner pins on 144-pin RFS: 1, 36, 37, 72, 73, 108, 109, 144 |      | ±750 |
| 859TU8, 859TM8, 859DU6, 859DM6 in 100-pin PZS package  |                         |                                                         |                                                              |      |      |
| V <sub>(ESD)</sub>                                     | Electrostatic discharge | Human body model (HBM), per AEC Q100-002 <sup>(1)</sup> | ±2000                                                        | V    |      |
|                                                        |                         | Charged device model (CDM), per AEC Q100-011            | All pins                                                     |      | ±500 |
|                                                        |                         |                                                         | Corner pins on 100-pin PZS: 1, 25, 26, 50, 51, 75, 76, 100   |      | ±750 |

- (1) AEC Q100-002 indicates HBM stressing is done in accordance with the ANSI/ESDA/JEDEC JS-001 specification.

## 6.4 F29P58x ESD Ratings – Commercial

|                                |                               |                                                                       | VALUE                                                        | UNIT |      |
|--------------------------------|-------------------------------|-----------------------------------------------------------------------|--------------------------------------------------------------|------|------|
| 580DM5 in 256-ball ZEX package |                               |                                                                       |                                                              |      |      |
| V <sub>(ESD)</sub>             | Electrostatic discharge (ESD) | Human-body model (HBM), per ANSI/ESDA/JEDEC JS-001 <sup>(1)</sup>     | ±2000                                                        | V    |      |
|                                |                               | Charged-device model (CDM), per ANSI/ESDA/JEDEC JS-002 <sup>(2)</sup> | All pins                                                     |      | ±500 |
|                                |                               |                                                                       | Corner balls on 256-ball ZEX: A1, A16, T16, T1               |      | ±750 |
| 580DM5 in 176-pin PTS package  |                               |                                                                       |                                                              |      |      |
| V <sub>(ESD)</sub>             | Electrostatic discharge (ESD) | Human-body model (HBM), per ANSI/ESDA/JEDEC JS-001 <sup>(1)</sup>     | ±2000                                                        | V    |      |
|                                |                               | Charged-device model (CDM), per ANSI/ESDA/JEDEC JS-002 <sup>(2)</sup> | All pins                                                     |      | ±500 |
|                                |                               |                                                                       | Corner pins on 176-pin PTS: 1, 44, 45, 88, 89, 132, 133, 176 |      | ±750 |
| 580DM5 in 144-pin RFS package  |                               |                                                                       |                                                              |      |      |
| V <sub>(ESD)</sub>             | Electrostatic discharge (ESD) | Human-body model (HBM), per ANSI/ESDA/JEDEC JS-001 <sup>(1)</sup>     | ±2000                                                        | V    |      |
|                                |                               | Charged-device model (CDM), per ANSI/ESDA/JEDEC JS-002 <sup>(2)</sup> | All pins                                                     |      | ±500 |
|                                |                               |                                                                       | Corner pins on 144-pin RFS: 1, 36, 37, 72, 73, 108, 109, 144 |      | ±750 |
| 580DM5 in 100-pin PZS package  |                               |                                                                       |                                                              |      |      |
| V <sub>(ESD)</sub>             | Electrostatic discharge (ESD) | Human-body model (HBM), per ANSI/ESDA/JEDEC JS-001 <sup>(1)</sup>     | ±2000                                                        | V    |      |
|                                |                               | Charged-device model (CDM), per ANSI/ESDA/JEDEC JS-002 <sup>(2)</sup> | All pins                                                     |      | ±500 |
|                                |                               |                                                                       | Corner pins on 100-pin PZS: 1, 25, 26, 50, 51, 75, 76, 100   |      | ±750 |

(1) JEDEC document JEP155 states that 500-V HBM allows safe manufacturing with a standard ESD control process.

(2) JEDEC document JEP157 states that 250-V CDM allows safe manufacturing with a standard ESD control process.

### 6.5 F29P58x ESD Ratings – Automotive

|                                        |                         |                                                         | VALUE                                                        | UNIT  |   |
|----------------------------------------|-------------------------|---------------------------------------------------------|--------------------------------------------------------------|-------|---|
| 589DU5, 589DM5 in 256-ball ZEX package |                         |                                                         |                                                              |       |   |
| V <sub>(ESD)</sub>                     | Electrostatic discharge | Human body model (HBM), per AEC Q100-002 <sup>(1)</sup> | All pins                                                     | ±2000 | V |
|                                        |                         | Charged device model (CDM), per AEC Q100-011            | All pins                                                     | ±500  |   |
|                                        |                         |                                                         | Corner balls on 256-ball ZEX: A1, A16, T16, T1               | ±750  |   |
| 589DU5, 589DM5 in 176-pin PTS package  |                         |                                                         |                                                              |       |   |
| V <sub>(ESD)</sub>                     | Electrostatic discharge | Human body model (HBM), per AEC Q100-002 <sup>(1)</sup> | All pins                                                     | ±2000 | V |
|                                        |                         | Charged device model (CDM), per AEC Q100-011            | All pins                                                     | ±500  |   |
|                                        |                         |                                                         | Corner pins on 176-pin PTS: 1, 44, 45, 88, 89, 132, 133, 176 | ±750  |   |
| 589DU5, 589DM5 in 144-pin RFS package  |                         |                                                         |                                                              |       |   |
| V <sub>(ESD)</sub>                     | Electrostatic discharge | Human body model (HBM), per AEC Q100-002 <sup>(1)</sup> | All pins                                                     | ±2000 | V |
|                                        |                         | Charged device model (CDM), per AEC Q100-011            | All pins                                                     | ±500  |   |
|                                        |                         |                                                         | Corner pins on 144-pin RFS: 1, 36, 37, 72, 73, 108, 109, 144 | ±750  |   |
| 589DU5, 589DM5 in 100-pin PZS package  |                         |                                                         |                                                              |       |   |
| V <sub>(ESD)</sub>                     | Electrostatic discharge | Human body model (HBM), per AEC Q100-002 <sup>(1)</sup> | All pins                                                     | ±2000 | V |
|                                        |                         | Charged device model (CDM), per AEC Q100-011            | All pins                                                     | ±500  |   |
|                                        |                         |                                                         | Corner pins on 100-pin PZS: 1, 25, 26, 50, 51, 75, 76, 100   | ±750  |   |

(1) AEC Q100-002 indicates HBM stressing is done in accordance with the ANSI/ESDA/JEDEC JS-001 specification.

### 6.6 F29P32x ESD Ratings – Automotive

|                               |                         |                                                         | VALUE                                                        | UNIT  |   |
|-------------------------------|-------------------------|---------------------------------------------------------|--------------------------------------------------------------|-------|---|
| 329SM2 in 144-pin RFS package |                         |                                                         |                                                              |       |   |
| V <sub>(ESD)</sub>            | Electrostatic discharge | Human body model (HBM), per AEC Q100-002 <sup>(1)</sup> | All pins                                                     | ±2000 | V |
|                               |                         | Charged device model (CDM), per AEC Q100-011            | All pins                                                     | ±500  |   |
|                               |                         |                                                         | Corner pins on 144-pin RFS: 1, 36, 37, 72, 73, 108, 109, 144 | ±750  |   |
| 329SM2 in 100-pin PZS package |                         |                                                         |                                                              |       |   |
| V <sub>(ESD)</sub>            | Electrostatic discharge | Human body model (HBM), per AEC Q100-002 <sup>(1)</sup> | All pins                                                     | ±2000 | V |
|                               |                         | Charged device model (CDM), per AEC Q100-011            | All pins                                                     | ±500  |   |
|                               |                         |                                                         | Corner pins on 100-pin PZS: 1, 25, 26, 50, 51, 75, 76, 100   | ±750  |   |

(1) AEC Q100-002 indicates HBM stressing is done in accordance with the ANSI/ESDA/JEDEC JS-001 specification.

## 6.7 Recommended Operating Conditions

|                                       |                                                                          | MIN                                           | NOM  | MAX         | UNIT |
|---------------------------------------|--------------------------------------------------------------------------|-----------------------------------------------|------|-------------|------|
| Device supply voltage, VDDIO and VDDA | Internal BOR enabled <sup>(3)</sup>                                      | $V_{BOR-VDDIO(MAX)} + V_{BOR-VDDIO-GB}^{(2)}$ | 3.3  | 3.63        | V    |
|                                       | Internal BOR disabled                                                    |                                               | 2.8  | 3.3         |      |
| Device supply voltage, VDD            |                                                                          | 1.19                                          | 1.25 | 1.31        | V    |
| Device ground, VSS                    |                                                                          |                                               | 0    |             | V    |
| Analog ground, VSSA                   |                                                                          |                                               | 0    |             | V    |
| SR <sub>SUPPLY</sub>                  | Supply ramp rate of VDDIO, VDD, VDDA with respect to VSS. <sup>(4)</sup> |                                               |      |             |      |
| V <sub>IN</sub>                       | Digital input voltage <sup>(6)</sup>                                     | VSS – 0.3                                     |      | VDDIO + 0.3 | V    |
|                                       | Digital input voltage (GPIO10, 15, 18, 22, 23 and 29) <sup>(5)</sup>     | VSS – 0.3                                     |      | 5.5         | V    |
|                                       | Analog input voltage <sup>(6)</sup>                                      | VSSA – 0.3                                    |      | VDDA + 0.3  | V    |
| Junction temperature, T <sub>J</sub>  | S version <sup>(1)</sup>                                                 | –40                                           |      | 150         | °C   |
| Free-Air temperature, T <sub>A</sub>  | Q version <sup>(1)</sup><br>(AEC Q100 qualification)                     | –40                                           |      | 125         | °C   |

- (1) Operation above T<sub>J</sub> = 105°C for extended duration will reduce the lifetime of the device. See [Calculating Useful Lifetimes of Embedded Processors](#) for more information.
- (2) See the *Power Management Module (PMM)* section.
- (3) Internal BOR is enabled by default.
- (4) See the *Power Management Module Operating Conditions* table.
- (5) These pins support applied voltage prior to the device being powered.
- (6) Applying a V<sub>IN</sub> greater than VDDIO/VDDA or less than VSS/VSSA voltage will internally rise and could impact other electrical characteristics.

## 6.8 Power Consumption Summary

Current values listed in this section are representative for the test conditions given and not the absolute maximum possible. The actual device currents in an application will vary with application code and pin configurations.

### 6.8.1 System Current Consumption VREG Disable - External Supply

over operating free-air temperature range (unless otherwise noted).

TYP :  $V_{nom}$ , 30°C

| PARAMETER             |                                                                                                           | TEST CONDITIONS                                                                                                                                               | MIN | TYP | MAX | UNIT |
|-----------------------|-----------------------------------------------------------------------------------------------------------|---------------------------------------------------------------------------------------------------------------------------------------------------------------|-----|-----|-----|------|
| <b>OPERATING MODE</b> |                                                                                                           |                                                                                                                                                               |     |     |     |      |
| $I_{DD}$              | CPU1 and CPU2 active in lockstep mode. CPU3 active. VDD current consumption during operational usage.     | F29H85xTxx: SYSCLK=200MHz (1)                                                                                                                                 | 340 | 470 | 820 | mA   |
| $I_{DD}$              | CPU1 and CPU2 active in non lockstep mode. CPU3 active. VDD current consumption during operational usage. |                                                                                                                                                               | 340 | 470 | 820 | mA   |
| $I_{DD}$              | CPU1 and CPU3 active. VDD current consumption during operational usage.                                   | F29H85xDxx: SYSCLK=200MHz (1)                                                                                                                                 | 300 | 430 | 760 | mA   |
| $I_{DD}$              | CPU1 and CPU2 active in lockstep mode. VDD current consumption during operational usage.                  | F29P58xDx5, F29P32xSxx: SYSCLK=200MHz (1)                                                                                                                     | 300 | 425 | 740 | mA   |
| $I_{DDIO}$            | VDDIO current consumption while device is in operating mode                                               | SYSCLK=200MHz                                                                                                                                                 | 1   | 20  | 35  | mA   |
| $I_{DDA}$             | VDDA current consumption while device is in operating mode                                                |                                                                                                                                                               | 1   | 10  | 35  | mA   |
| <b>IDLE MODE</b>      |                                                                                                           |                                                                                                                                                               |     |     |     |      |
| $I_{DD}$              | CPU1, CPU2 and CPU3 idle. VDD current consumption while device is in Idle mode                            | F29H85xTxx<br><ul style="list-style-type: none"> <li>CPU is in IDLE mode</li> <li>Flash is powered down</li> <li>XCLKOUT is turned off</li> </ul>             | 195 | 230 | 275 | mA   |
| $I_{DD}$              | CPU1 active. CPU2 and CPU3 idle. VDD current consumption while device is in Idle mode                     |                                                                                                                                                               | 230 | 270 | 340 | mA   |
| $I_{DD}$              | CPU1 and CPU2 active. CPU3 idle. VDD current consumption while device is in Idle mode                     |                                                                                                                                                               | 225 | 310 | 385 | mA   |
| $I_{DD}$              | Two CPUs idle. VDD current consumption while device is in Idle mode                                       | F29P58xDxx, F29P32xSxx<br><ul style="list-style-type: none"> <li>CPU is in IDLE mode</li> <li>Flash is powered down</li> <li>XCLKOUT is turned off</li> </ul> | 190 | 225 | 265 | mA   |
| $I_{DD}$              | One CPU idle. VDD current consumption while device is in Idle mode                                        |                                                                                                                                                               | 235 | 275 | 345 | mA   |
| $I_{DDIO}$            | VDDIO current consumption while device is in Idle mode                                                    | <ul style="list-style-type: none"> <li>CPU is in IDLE mode</li> <li>Flash is powered down</li> <li>XCLKOUT is turned off</li> </ul>                           | 1   | 20  | 35  | mA   |
| $I_{DDA}$             | VDDA current consumption while device is in Idle mode                                                     |                                                                                                                                                               | 1   | 10  | 35  | mA   |
| <b>STANDBY MODE</b>   |                                                                                                           |                                                                                                                                                               |     |     |     |      |

### 6.8.1 System Current Consumption VREG Disable - External Supply (continued)

over operating free-air temperature range (unless otherwise noted).

TYP :  $V_{nom}$ , 30°C

| PARAMETER                  |                                                                                                | TEST CONDITIONS                                                                                                                                                                                                                                                  | MIN | TYP | MAX | UNIT |
|----------------------------|------------------------------------------------------------------------------------------------|------------------------------------------------------------------------------------------------------------------------------------------------------------------------------------------------------------------------------------------------------------------|-----|-----|-----|------|
| $I_{DD}$                   | CPU1, CPU2 and CPU3 in standby. VDD current consumption while device is in Standby mode        | F29H85xTxx<br><ul style="list-style-type: none"> <li>CPU is in STANDBY mode</li> <li>Flash is powered down</li> <li>XCLKOUT is turned off</li> </ul>                                                                                                             | 180 | 210 | 255 | mA   |
| $I_{DD}$                   | CPU1 active. CPU2 and CPU3 in standby. VDD current consumption while device is in Standby mode |                                                                                                                                                                                                                                                                  | 225 | 265 | 325 | mA   |
| $I_{DD}$                   | CPU1 and CPU2 active. CPU3 in standby. VDD current consumption while device is in Standby mode |                                                                                                                                                                                                                                                                  | 250 | 305 | 380 | mA   |
| $I_{DD}$                   | Two CPUs in standby. VDD current consumption while device is in Standby mode                   | F29P58xDxx, F29P32xSxx<br><ul style="list-style-type: none"> <li>CPU is in STANDBY mode</li> <li>Flash is powered down</li> <li>XCLKOUT is turned off</li> </ul>                                                                                                 | 175 | 205 | 250 | mA   |
| $I_{DD}$                   | One CPU in standby. VDD current consumption while device is in Standby mode                    |                                                                                                                                                                                                                                                                  | 230 | 265 | 340 | mA   |
| $I_{DDIO}$                 | VDDIO current consumption while device is in Standby mode                                      | <ul style="list-style-type: none"> <li>CPU is in STANDBY mode</li> <li>Flash is powered down</li> <li>XCLKOUT is turned off</li> </ul>                                                                                                                           | 1   | 20  | 35  | mA   |
| $I_{DDA}$                  | VDDA current consumption while device is in Standby mode                                       |                                                                                                                                                                                                                                                                  | 1   | 10  | 35  | mA   |
| <b>FLASH ERASE/PROGRAM</b> |                                                                                                |                                                                                                                                                                                                                                                                  |     |     |     |      |
| $I_{DD}$                   | VDD Current consumption during Erase/Program cycle <sup>(2)</sup>                              | <ul style="list-style-type: none"> <li>CPU is running from Flash, performing Erase and Program on the unused sector.</li> <li>SYSClk is running at 200 MHz.</li> <li>I/Os are inputs with pullups enabled.</li> <li>Peripheral clocks are turned OFF.</li> </ul> | 500 |     | mA  |      |
| $I_{DDIO}$                 | VDDIO Current consumption during Erase/Program cycle <sup>(2)</sup>                            |                                                                                                                                                                                                                                                                  | 30  | mA  |     |      |

(1) Current for a typical heavily loaded application. Actual currents will vary depending on system activity, I/O electrical loading and switching frequency.

(2) Brownout events during flash programming can corrupt flash data and permanently lock the device. Programming environments using alternate power sources (such as a USB programmer) must be capable of supplying the rated current for the device and other system components with sufficient margin to avoid supply brownout conditions.

### 6.8.2 System Current Consumption VREG Enabled

over operating free-air temperature range (unless otherwise noted).

TYP :  $V_{nom}$ , 30°C

| PARAMETER             | TEST CONDITIONS | MIN | TYP | MAX | UNIT |
|-----------------------|-----------------|-----|-----|-----|------|
| <b>OPERATING MODE</b> |                 |     |     |     |      |

### 6.8.2 System Current Consumption VREG Enabled (continued)

over operating free-air temperature range (unless otherwise noted).

TYP :  $V_{nom}$ , 30°C

| PARAMETER           |                                                                                                               | TEST CONDITIONS                                                                                          | MIN | TYP | MAX | UNIT |
|---------------------|---------------------------------------------------------------------------------------------------------------|----------------------------------------------------------------------------------------------------------|-----|-----|-----|------|
| $I_{DDIO}$          | CPU1 and CPU2 in lockstep mode. VDDIO current consumption during operational usage with SYSCLK at 100MHz.     | F29P58xDxx, F29P32xSxx <sup>(1)</sup>                                                                    | 170 | 245 | 450 | mA   |
| $I_{DDIO}$          | CPU1 and CPU2 in non lockstep mode. VDDIO current consumption during operational usage with SYSCLK at 100MHz. |                                                                                                          | 180 | 250 | 460 | mA   |
| $I_{DDA}$           | VDDA current consumption during operational usage                                                             |                                                                                                          | 1   | 10  | 35  | mA   |
| <b>IDLE MODE</b>    |                                                                                                               |                                                                                                          |     |     |     |      |
| $I_{DDIO}$          | VDDIO current consumption while device is in Idle mode                                                        | F29P58xDxx, F29P32xSxx<br>• CPU is in IDLE mode<br>• Flash is powered down<br>• XCLKOUT is turned off    | 65  | 150 | 195 | mA   |
| $I_{DDA}$           | VDDA current consumption while device is in Idle mode                                                         |                                                                                                          | 1   | 10  | 35  | mA   |
| <b>STANDBY MODE</b> |                                                                                                               |                                                                                                          |     |     |     |      |
| $I_{DDIO}$          | VDDIO current consumption while device is in Standby mode                                                     | F29P58xDxx, F29P32xSxx<br>• CPU is in STANDBY mode<br>• Flash is powered down<br>• XCLKOUT is turned off | 60  | 145 | 190 | mA   |
| $I_{DDA}$           | VDDA current consumption while device is in Standby mode                                                      |                                                                                                          | 1   | 10  | 35  | mA   |

(1) This is an estimation of current for a typical heavily loaded application. Actual currents will vary depending on system activity, I/O electrical loading and switching frequency. SYSCLK operating at 100MHz.

### 6.8.3 Operating Mode Test Description

Section 6.8.2 and Section 6.8.4.1 list the current consumption values for the operational mode of the device. The operational mode provides an estimation of what an application might encounter. The test condition for these measurements has the following properties:

- Code is executing from RAM.
- FLASH is read and kept in active state.
- No external components are driven by I/O pins.
- All peripherals have clocks enabled.
- All CPUs are actively executing code.
- CPU1 and CPU2 are operating at 200 MHz.
- All analog peripherals are powered up. ADCs and DACs are periodically converting.

### 6.8.4 Reducing Current Consumption

The F29H85x, F29P58x, and F29P32x devices provide some methods to reduce the device current consumption:

- One of the two low-power modes—IDLE or STANDBY—could be entered during idle periods in the application.
- The flash module may be powered down if the code is run from RAM.
- Disable the pullups on pins that assume an output function.
- Each peripheral has an individual clock-enable bit (PCLKCRx). Reduced current consumption may be achieved by turning off the clock to any peripheral that is not used in a given application. The Typical Current Reduction per Disabled Peripheral table lists the typical current reduction that may be achieved by disabling the clocks using the PCLKCRx register.
- To realize the lowest VDDA current consumption in an LPM, see the Analog-to-Digital Converter (ADC) chapter of the *F29H85x and F29P58x Real-Time Microcontrollers Technical Reference Manual* to ensure each module is powered down as well.

#### 6.8.4.1 Typical Current Reduction per Disabled Peripheral

| PERIPHERAL <sup>(1)</sup> | I <sub>DD</sub> CURRENT REDUCTION (mA) |
|---------------------------|----------------------------------------|
| ADCA                      | 1.3                                    |
| ADCB                      | 1.3                                    |
| ADCC                      | 1.3                                    |
| ADCD                      | 1.3                                    |
| ADCE                      | 1.3                                    |
| CLB1                      | 1.3                                    |
| CLB2                      | 1.3                                    |
| CLB3                      | 1.3                                    |
| CLB4                      | 1.3                                    |
| CLB5                      | 1.3                                    |
| CLB6                      | 1.3                                    |
| CPMSS1                    | 0.6                                    |
| CMPSS2                    | 0.6                                    |
| CMPSS3                    | 0.6                                    |
| CMPSS4                    | 0.6                                    |
| CMPSS5                    | 0.6                                    |
| CMPSS6                    | 0.6                                    |
| CMPSS7                    | 0.6                                    |
| CMPSS8                    | 0.6                                    |
| CMPSS9                    | 0.6                                    |
| CMPSS10                   | 0.6                                    |

**6.8.4.1 Typical Current Reduction per Disabled Peripheral (continued)**

| PERIPHERAL <sup>(1)</sup> | I <sub>DD</sub> CURRENT REDUCTION (mA) |
|---------------------------|----------------------------------------|
| CMPSS11                   | 0.6                                    |
| CMPSS12                   | 0.6                                    |
| CPUX.CPUTIMER0            | 0.1                                    |
| CPUX.CPUTIMER1            | 0.1                                    |
| CPUX.CPUTIMER2            | 0.1                                    |
| CPUX.DLT                  | 1.3                                    |
| CPUX.ERAD                 | 4.0                                    |
| DACA                      | 0.3                                    |
| DACB                      | 0.3                                    |
| DCC1                      | 0.06                                   |
| DCC2                      | 0.06                                   |
| DCC3                      | 0.06                                   |
| eCAP1                     | 0.5                                    |
| eCAP2                     | 0.5                                    |
| eCAP3                     | 0.5                                    |
| eCAP4                     | 0.5                                    |
| eCAP5 <sup>(2)</sup>      | 1.0                                    |
| eCAP6 <sup>(2)</sup>      | 1.0                                    |
| EMIF                      | 2.2                                    |
| EPG                       | 0.7                                    |
| ePWM1 <sup>(3)</sup>      | 1.0                                    |
| ePWM2 <sup>(3)</sup>      | 1.0                                    |
| ePWM3 <sup>(3)</sup>      | 1.0                                    |
| ePWM4 <sup>(3)</sup>      | 1.0                                    |
| ePWM5 <sup>(3)</sup>      | 1.0                                    |
| ePWM6 <sup>(3)</sup>      | 1.0                                    |
| ePWM7 <sup>(3)</sup>      | 1.0                                    |
| ePWM8 <sup>(3)</sup>      | 1.0                                    |
| ePWM9 <sup>(3)</sup>      | 1.0                                    |
| ePWM10 <sup>(3)</sup>     | 1.0                                    |
| ePWM11 <sup>(3)</sup>     | 1.0                                    |
| ePWM12 <sup>(3)</sup>     | 1.0                                    |
| ePWM13 <sup>(3)</sup>     | 1.0                                    |
| ePWM14 <sup>(3)</sup>     | 1.0                                    |
| ePWM15 <sup>(3)</sup>     | 1.0                                    |
| ePWM16 <sup>(3)</sup>     | 1.0                                    |
| ePWM17 <sup>(3)</sup>     | 1.0                                    |
| ePWM18 <sup>(3)</sup>     | 1.0                                    |
| eQEP1                     | 0.5                                    |
| eQEP2                     | 0.5                                    |
| eQEP3                     | 0.5                                    |
| eQEP4                     | 0.5                                    |
| eQEP5                     | 0.5                                    |
| eQEP6                     | 0.5                                    |
| EtherCAT                  | 1.3                                    |

**6.8.4.1 Typical Current Reduction per Disabled Peripheral (continued)**

| PERIPHERAL <sup>(1)</sup> | I <sub>DD</sub> CURRENT REDUCTION (mA) |
|---------------------------|----------------------------------------|
| FSI RXA                   | 0.4                                    |
| FSI RXB                   | 0.4                                    |
| FSI RXC                   | 0.4                                    |
| FSI RXD                   | 0.4                                    |
| FSI TXA                   | 0.4                                    |
| FSI TXB                   | 0.4                                    |
| FSI TXC                   | 0.4                                    |
| FSI TXD                   | 0.4                                    |
| I2CA                      | 0.4                                    |
| I2CB                      | 0.4                                    |
| LINA                      | 0.5                                    |
| LINB                      | 0.5                                    |
| MCANA                     | 1.7                                    |
| MCANB                     | 1.7                                    |
| MCANC                     | 1.7                                    |
| MCAND                     | 1.7                                    |
| MCANE                     | 1.7                                    |
| MCANF                     | 1.7                                    |
| PMBUSA                    | 0.5                                    |
| RTDMA1                    | 7.0                                    |
| RTDMA2                    | 5.0                                    |
| SDFM1                     | 2.0                                    |
| SDFM2                     | 2.0                                    |
| SDFM3                     | 2.0                                    |
| SDFM4                     | 2.0                                    |
| SENT1                     | 1.0                                    |
| SENT2                     | 1.0                                    |
| SENT3                     | 1.0                                    |
| SENT4                     | 1.0                                    |
| SENT5                     | 1.0                                    |
| SENT6                     | 1.0                                    |
| SPIA                      | 0.4                                    |
| SPIB                      | 0.4                                    |
| SPIC                      | 0.4                                    |
| SPID                      | 0.4                                    |
| SPIE                      | 0.4                                    |
| SPIF                      | 0.4                                    |
| UARTA                     | 1.0                                    |
| UARTB                     | 1.0                                    |
| UARTC                     | 1.0                                    |
| UARTD                     | 1.0                                    |
| UARTE                     | 1.0                                    |
| UARTF                     | 1.0                                    |
| WADI1                     | 2.0                                    |
| WADI2                     | 2.0                                    |

**6.8.4.1 Typical Current Reduction per Disabled Peripheral (continued)**

| PERIPHERAL <sup>(1)</sup> | I <sub>DD</sub> CURRENT REDUCTION (mA) |
|---------------------------|----------------------------------------|
| CPU1                      | 18.0                                   |
| CPU2                      | 17.0                                   |

- (1) All peripherals are disabled upon reset. Use the PCLKCRx register to individually enable peripherals. For peripherals with multiple instances, the current quoted is for a single module.
- (2) eCAP5 and eCAP6 can also be configured as HRCAP.
- (3) All ePWMs can also be configured as HRPWM.

## 6.9 Electrical Characteristics

over recommended operating conditions (unless otherwise noted)

| PARAMETER                     |                                                      | TEST CONDITIONS                                   | MIN                                      | TYP                                                           | MAX | UNIT      |    |   |
|-------------------------------|------------------------------------------------------|---------------------------------------------------|------------------------------------------|---------------------------------------------------------------|-----|-----------|----|---|
| <b>Digital and Analog IO</b>  |                                                      |                                                   |                                          |                                                               |     |           |    |   |
| V <sub>OH</sub>               | High-level output voltage                            |                                                   | I <sub>OH</sub> = I <sub>OH</sub> MIN    | VDDIO * 0.8                                                   |     | V         |    |   |
|                               |                                                      |                                                   | I <sub>OH</sub> = -100 μA                | VDDIO - 0.2                                                   |     |           |    |   |
| V <sub>OL</sub>               | Low-level output voltage                             |                                                   | I <sub>OL</sub> = I <sub>OL</sub> MAX    | 0.4                                                           |     | V         |    |   |
|                               |                                                      |                                                   | I <sub>OL</sub> = 100 μA                 | 0.2                                                           |     |           |    |   |
| I <sub>OH</sub>               | High-level output source current for all output pins |                                                   | -4                                       |                                                               |     | mA        |    |   |
| I <sub>OL</sub>               | Low-level output sink current for all output pins    |                                                   |                                          |                                                               | 4   | mA        |    |   |
| R <sub>OH</sub>               | High-level output impedance for all output pins      |                                                   | VOH=VDDSD-0.4V                           |                                                               | 50  | 66        | 96 | Ω |
| R <sub>OL</sub>               | Low-level output impedance for all output pins       |                                                   | VOL=0.4V                                 |                                                               | 48  | 60        | 84 | Ω |
| V <sub>IH</sub>               | High-level input voltage                             |                                                   |                                          |                                                               | 2.0 |           | V  |   |
|                               | High-level input voltage - GPIO10/15/18/22/23/29     | IO_MODSEL:MODSEL GPIOx = 0                        | 0.7*VDDIO                                |                                                               |     |           | V  |   |
|                               |                                                      | IO_MODSEL:MODSEL GPIOx = 1                        | 1.35                                     |                                                               |     |           | V  |   |
| V <sub>IL</sub>               | Low-level input voltage                              |                                                   |                                          |                                                               |     | 0.8       | V  |   |
|                               | Low-level input voltage - GPIO10/15/18/22/23/29      | IO_MODSEL:MODSEL GPIOx = 0                        |                                          |                                                               |     | 0.3*VDDIO | V  |   |
|                               |                                                      | IO_MODSEL:MODSEL GPIOx = 1                        |                                          |                                                               |     | 0.8       | V  |   |
| V <sub>HYSTERESIS</sub>       | Input hysteresis (AIO)                               |                                                   |                                          |                                                               | 125 |           | mV |   |
|                               | Input hysteresis (GPIO)                              |                                                   |                                          |                                                               | 125 |           |    |   |
| I <sub>PULLDOWN</sub>         | Input current                                        | Pins with pulldown                                | VDDIO = 3.3 V<br>V <sub>IN</sub> = VDDIO | 120                                                           |     | μA        |    |   |
| I <sub>PULLUP</sub>           | Input current                                        | Digital inputs with pullup enabled <sup>(1)</sup> | VDDIO = 3.3 V<br>V <sub>IN</sub> = 0 V   | 160                                                           |     | μA        |    |   |
| R <sub>PULLDOWN</sub>         | Weak pulldown resistance                             |                                                   |                                          | 22                                                            | 31  | 62        | kΩ |   |
| R <sub>PULLUP</sub>           | Weak pullup resistance                               |                                                   |                                          | 19                                                            | 29  | 54        | kΩ |   |
|                               | GPIO10/15/18/22/23/29                                |                                                   |                                          | 20                                                            | 31  | 65        | kΩ |   |
| I <sub>LEAK</sub>             | Pin leakage                                          |                                                   | Digital inputs                           |                                                               |     | 0.1       | μA |   |
|                               |                                                      |                                                   | Digital inputs (GPIO10/15/18/22/23/29)   | Pullups and outputs disabled<br>0 V ≤ V <sub>IN</sub> ≤ VDDIO | 20  |           |    |   |
|                               |                                                      |                                                   | Analog pins                              | Analog drivers disabled<br>0 V ≤ V <sub>IN</sub> ≤ VDDA       | 0.1 |           |    |   |
| C <sub>I</sub>                | Input capacitance                                    |                                                   | Digital inputs                           | 2                                                             |     | pF        |    |   |
|                               | Analog pins <sup>(2)</sup>                           |                                                   |                                          |                                                               |     |           |    |   |
| <b>VREG and BOR</b>           |                                                      |                                                   |                                          |                                                               |     |           |    |   |
| VREG, POR, BOR <sup>(3)</sup> |                                                      |                                                   |                                          |                                                               |     |           |    |   |

(1) See Pins With Internal Pullup and Pulldown table for a list of pins with a pullup or pulldown.

(2) The analog pins are specified separately; see the Per-Channel Parasitic Capacitance tables that are in the ADC Input Model section.

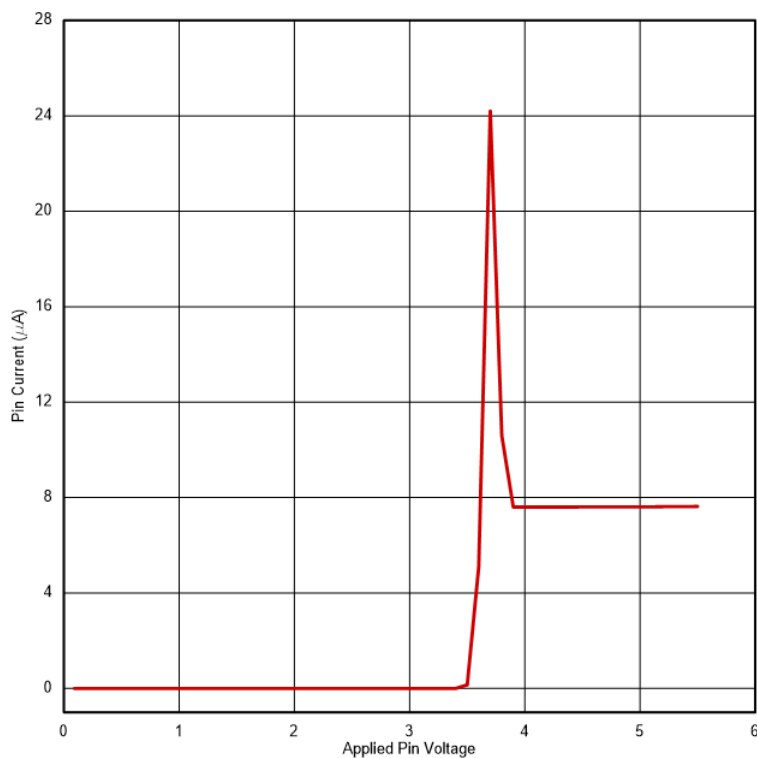
(3) See the *Power Management Module (PMM)* section.

## 6.10 Special Considerations for 5V Fail-Safe Pins

GPIO10, GPIO15, GPIO18, GPIO22, GPIO23 and GPIO29 are 5V Fail-Safe (5V FS) pins on this device. This means two things:

- These pins can accept a voltage input of up to 5.5V, regardless of the supply voltage (VDDIO) level.
- These pins are also "Fail-Safe", meaning they can also have voltage applied to them prior to the device being powered.

In order to achieve the above characteristics, the construction of the input buffer of these GPIOs is different from the other GPIOs on this device. As such, there is both an additional leakage current parameter defined (unpowered leakage), and a behavioral difference for the powered leakage current when the device is powered. [Figure 6-1](#) shows the typical leakage current profile for these pins. As shown in the figure, there is an increased leakage current present as the voltage on the pin exceeds the device's supply (VDDIO) voltage. It is during this transition phase that the highest leakage current is observed. Once the input pin voltage is greater than approximately 4V, the current settles to a nominal value through the remainder of the input voltage range.



**Figure 6-1. Leakage Current vs Input Voltage (Device Powered)**

## 6.11 Thermal Resistance Characteristics for ZEX Package

|                              |                                             | °C/W <sup>(1)</sup> |
|------------------------------|---------------------------------------------|---------------------|
| R $\theta_{JC}$              | Junction-to-case thermal resistance, top    | 4.4                 |
|                              | Junction-to-case thermal resistance, bottom | N/A                 |
| R $\theta_{JB}$              | Junction-to-board thermal resistance        | 5.7                 |
| R $\theta_{JA}$ (High k PCB) | Junction-to-free air thermal resistance     | 18.6                |
| Psi $_{JT}$                  | Junction-to-package top                     | 0.4                 |
| Psi $_{JB}$                  | Junction-to-board                           | 5.5                 |

(1) These values are based on a JEDEC-defined 2S2P system (with the exception of the Theta JC [R $\theta_{JC}$ ] value, which is based on a JEDEC-defined 1S0P system) and will change based on environment as well as application. For more information, see these EIA/JEDEC standards:

- JESD51-2, *Integrated Circuits Thermal Test Method Environmental Conditions - Natural Convection (Still Air)*
- JESD51-3, *Low Effective Thermal Conductivity Test Board for Leaded Surface Mount Packages*
- JESD51-7, *High Effective Thermal Conductivity Test Board for Leaded Surface Mount Packages*
- JESD51-9, *Test Boards for Area Array Surface Mount Package Thermal Measurements*

## 6.12 Thermal Resistance Characteristics for PTS Package

|                              |                                             | °C/W <sup>(1)</sup> |
|------------------------------|---------------------------------------------|---------------------|
| R $\theta_{JC}$              | Junction-to-case thermal resistance, top    | 4.7                 |
|                              | Junction-to-case thermal resistance, bottom | 0.2                 |
| R $\theta_{JB}$              | Junction-to-board thermal resistance        | 6.6                 |
| R $\theta_{JA}$ (High k PCB) | Junction-to-free air thermal resistance     | 17.9                |
| Psi $_{JT}$                  | Junction-to-package top                     | 0.1                 |
| Psi $_{JB}$                  | Junction-to-board                           | 6.3                 |

(1) These values are based on a JEDEC-defined 2S2P system (with the exception of the Theta JC [R $\theta_{JC}$ ] value, which is based on a JEDEC-defined 1S0P system) and will change based on environment as well as application. For more information, see these EIA/JEDEC standards:

- JESD51-2, *Integrated Circuits Thermal Test Method Environmental Conditions - Natural Convection (Still Air)*
- JESD51-3, *Low Effective Thermal Conductivity Test Board for Leaded Surface Mount Packages*
- JESD51-7, *High Effective Thermal Conductivity Test Board for Leaded Surface Mount Packages*
- JESD51-9, *Test Boards for Area Array Surface Mount Package Thermal Measurements*

## 6.13 Thermal Resistance Characteristics for RFS Package

|                              |                                             | °C/W <sup>(1)</sup> |
|------------------------------|---------------------------------------------|---------------------|
| R $\theta_{JC}$              | Junction-to-case thermal resistance, top    | 4.8                 |
|                              | Junction-to-case thermal resistance, bottom | 0.2                 |
| R $\theta_{JB}$              | Junction-to-board thermal resistance        | 5.8                 |
| R $\theta_{JA}$ (High k PCB) | Junction-to-free air thermal resistance     | 17.9                |
| Psi $_{JT}$                  | Junction-to-package top                     | 0.1                 |
| Psi $_{JB}$                  | Junction-to-board                           | 5.8                 |

(1) These values are based on a JEDEC-defined 2S2P system (with the exception of the Theta JC [R $\theta_{JC}$ ] value, which is based on a JEDEC-defined 1S0P system) and will change based on environment as well as application. For more information, see these EIA/JEDEC standards:

- JESD51-2, *Integrated Circuits Thermal Test Method Environmental Conditions - Natural Convection (Still Air)*
- JESD51-3, *Low Effective Thermal Conductivity Test Board for Leaded Surface Mount Packages*
- JESD51-7, *High Effective Thermal Conductivity Test Board for Leaded Surface Mount Packages*
- JESD51-9, *Test Boards for Area Array Surface Mount Package Thermal Measurements*

## 6.14 Thermal Resistance Characteristics for PZS Package

|                               |                                             | °C/W <sup>(1)</sup> |
|-------------------------------|---------------------------------------------|---------------------|
| R <sub>θJC</sub>              | Junction-to-case thermal resistance, top    | 5.0                 |
|                               | Junction-to-case thermal resistance, bottom | 0.2                 |
| R <sub>θJB</sub>              | Junction-to-board thermal resistance        | 5.0                 |
| R <sub>θJA</sub> (High k PCB) | Junction-to-free air thermal resistance     | 18.0                |
| Ψ <sub>iJT</sub>              | Junction-to-package top                     | 0.1                 |
| Ψ <sub>iJB</sub>              | Junction-to-board                           | 4.8                 |

(1) These values are based on a JEDEC-defined 2S2P system (with the exception of the Theta JC [R<sub>θJC</sub>] value, which is based on a JEDEC-defined 1S0P system) and will change based on environment as well as application. For more information, see these EIA/JEDEC standards:

- JESD51-2, *Integrated Circuits Thermal Test Method Environmental Conditions - Natural Convection (Still Air)*
- JESD51-3, *Low Effective Thermal Conductivity Test Board for Leaded Surface Mount Packages*
- JESD51-7, *High Effective Thermal Conductivity Test Board for Leaded Surface Mount Packages*
- JESD51-9, *Test Boards for Area Array Surface Mount Package Thermal Measurements*

## 6.15 Thermal Design Considerations

Based on the end application design and operational profile, the I<sub>DD</sub> and I<sub>DDIO</sub> currents could vary. Systems that exceed the recommended maximum power dissipation in the end product may require additional thermal enhancements. Ambient temperature (T<sub>A</sub>) varies with the end application and product design. The critical factor that affects reliability and functionality is T<sub>J</sub>, the junction temperature, not the ambient temperature. Hence, care should be taken to keep T<sub>J</sub> within the specified limits. T<sub>case</sub> should be measured to estimate the operating junction temperature T<sub>J</sub>. T<sub>case</sub> is normally measured at the center of the package top-side surface. The thermal application note [Semiconductor and IC Package Thermal Metrics](#) helps to understand the thermal metrics and definitions.

## 6.16 System

### 6.16.1 Power Management Module (PMM)

#### 6.16.1.1 Introduction

The Power Management Module (PMM) handles all the power management functions required for device operation.

#### 6.16.1.2 Overview

The block diagram of the PMM is shown in Figure 6-2. As can be seen, the PMM comprises of various subcomponents, which are described in the subsequent sections.

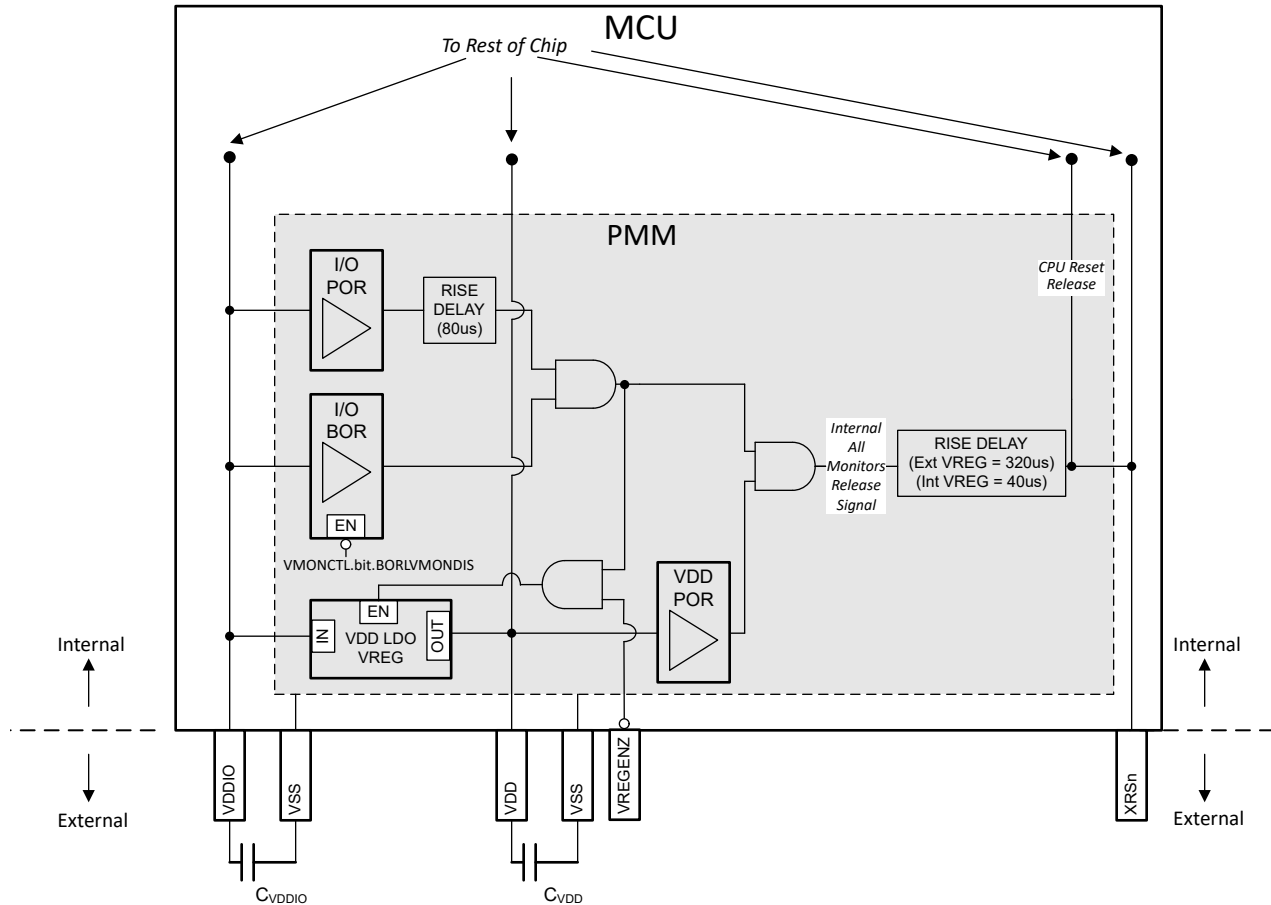


Figure 6-2. PMM Block Diagram

#### 6.16.1.2.1 Power Rail Monitors

The PMM has voltage monitors on the supply rails that release the XRSn signal high once the voltages cross the set threshold during power up. They also function to trip the XRSn signal low if any of the voltages drop below the programmed levels. The various voltage monitors are described in subsequent sections.

#### Note

Not all the voltage monitors are supported for device operation in an application after boot up. In the case where a voltage monitor is not supported, an external supervisor is recommended if the device needs supply voltage monitoring while the application is running.

The three voltage monitors (I/O POR, I/O BOR, VDD POR) all have to release their respective outputs before the device begins operation (that is, XRSn goes high). However, if any of the voltage monitors trips, XRSn is driven low. The I/Os are held in high impedance when any of the voltage monitors trip.

#### 6.16.1.2.1.1 I/O POR (Power-On Reset) Monitor

The I/O POR monitor supervises the VDDIO rail. During power up, this is the first monitor to release (that is, first to untrip) on VDDIO.

#### Note

The level at which the I/O POR trips is well below the minimum recommended voltage for VDDIO, and therefore should not be used for device supervision.

#### 6.16.1.2.1.2 I/O BOR (Brown-Out Reset) Monitor

The I/O BOR monitor also supervises the VDDIO rail. During power up, this is the second monitor to release (that is, second to untrip) on VDDIO. This monitor has a tighter tolerance compared to the I/O POR.

Any drop in voltage below the recommended operating voltages will trip the I/O BOR and reset the device but this can be disabled by setting VMONCTL.bit.BORLVMONDIS to 1. The I/O BOR can only be disabled after the device has fully booted up. If the I/O BOR is disabled, the I/O POR will reset the device for voltage drops.

Figure 6-3 shows the operating region of the I/O BOR.

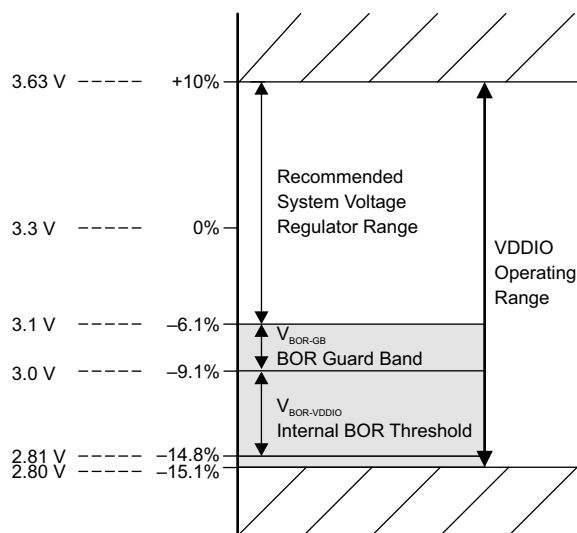


Figure 6-3. I/O BOR Operating Region

#### 6.16.1.2.1.3 VDD POR (Power-On Reset) Monitor

The VDD POR monitor supervises the VDD rail. During power up, this monitor releases (that is, untrips) once the voltage crosses the programmed trip level on VDD.

#### Note

VDD POR is programmed at a level below the minimum recommended voltage for VDD, and therefore it should not be relied upon for VDD supervision if that is required in the application.

#### 6.16.1.2.2 External Supervisor Usage

VDDIO Monitoring: The I/O BOR feature can be used for I/O rail monitoring as long as it meets the application requirement. There is no over voltage monitor on VDDIO.

#### VDD Monitoring:

- VDD supplied from the internal VREG: The VDD supply is derived from the VDDIO supply. The VREG is designed in such a way that a valid VDDIO supply(monitored by the IO BOR) implies a valid VDD supply.
- VDD supplied from an external supply: The VDD POR is not supported for application use. If VDD monitoring is required by the application, an external supervisor can be used to monitor the VDD rail.

---

#### Note

The use of an external supervisor with the internal VREG is not supported.

---

#### 6.16.1.2.3 Delay Blocks

The delay blocks in the path of the voltage monitors work together to delay the release time between the voltage monitors and XRSn. This is to ensure that the voltages are stable when XRSn releases. The delay blocks are only active during power up (that is, when VDDIO and VDD are ramping up).

The delay blocks contribute to the minimum slew rates specified in [Power Management Module Electrical Data and Timing](#) for the power rails.

---

#### Note

The delay numbers specified in the block diagram are typical numbers.

---

#### 6.16.1.2.4 Internal VDD LDO Voltage Regulator (VREG)

The internal VREG is supplied by the VDDIO rail and can generate the required output to power the VDD pins. It is enabled by tying the VREGENZ pin low. Although the internal VREG eliminates the need to use an external supply for VDD, decoupling capacitors are still required on the VDD pins for VREG stability and transients. See the *VDD Decoupling* section for details.

#### 6.16.1.2.5 VREGENZ

The VREGENZ (VREG disable) pin controls the state of the internal VREG. To enable the internal VREG, connect the VREGENZ pin to a logic low voltage. For applications supplying VDD externally (external VREG), disable the internal VREG by tying the VREGENZ pin high.

---

#### Note

Not all device packages have VREGENZ pinned out. For packages without VREGENZ pinned out, internal VREG mode is not supported.

---

#### 6.16.1.3 External Components

##### 6.16.1.3.1 Decoupling Capacitors

VDDIO and VDD require decoupling capacitors for correct operation. The requirements are outlined in subsequent sections.

##### 6.16.1.3.1.1 VDDIO Decoupling

Place a minimum amount of decoupling capacitance on VDDIO. See the  $C_{VDDIO}$  parameter in [Power Management Module Electrical Data and Timing](#). The actual amount of decoupling capacitance to use is a requirement of the power supply driving VDDIO. Either of the configurations outlined below is acceptable:

- **Configuration 1:** Place a decoupling capacitor on each VDDIO pin per the  $C_{VDDIO}$  parameter.
- **Configuration 2:** Install a single decoupling capacitor that is the equivalent of  $C_{VDDIO} * VDDIO$  pins.

---

#### Note

Having the decoupling capacitor or capacitors close to the device pins is critical.

---

#### 6.16.1.3.1.2 VDD Decoupling

Place a minimum amount of decoupling capacitance on VDD. See the  $C_{VDD}$  TOTAL parameter in [Power Management Module Electrical Data and Timing](#).

In external VREG mode, the actual amount of decoupling capacitance to use is a requirement of the power supply driving VDD.

Either of the configurations outlined below is acceptable:

- **Configuration 1:** Divide  $C_{VDD}$  TOTAL equally across the VDD pins. This option may be used in internal VREG mode where it may be impossible to connect all the VDD pins together on the PCB. Refer to [Supply Pins Ganging](#) section.
- **Configuration 2:** Install a single decoupling capacitor with value of  $C_{VDD}$  TOTAL. In this configuration, all VDD pins must be connected to each other on the PCB.

---

#### Note

Having the decoupling capacitor or capacitors close to the device pins is critical.

---

#### 6.16.1.4 Power Sequencing

##### 6.16.1.4.1 Supply Pins Ganging

Connecting all 3.3-V rails together and supplying from a single source are strongly recommended. This list includes:

- VDDIO
- VDDA

In addition, connect all power pins to avoid leaving any unconnected.

In external VREG mode, the VDD pins should be tied together and supplied from a single source.

In internal VREG mode, tying the VDD pins together is optional as long as each VDD pin has a capacitor connected to pin. See the *VDD Decoupling* section for VDD decoupling configurations.

The analog modules on the device have fairly high PSRR; therefore, in most cases, noise on VDDA will have to exceed the recommended operating conditions of the supply rails before the analog modules see performance degradation. Therefore, supplying VDDA separately typically offers minimal benefits. Nevertheless, for the purposes of noise improvement, placing a pi filter between VDDIO and VDDA is acceptable.

---

#### Note

All the supply pins per rail are tied together internally. For example, all VDDIO pins are tied together internally, all VDD pins are tied together internally, and so forth.

---

##### 6.16.1.4.2 Signal Pins Power Sequence

Before powering the device, do not apply voltage larger than 0.3 V above VDDIO or 0.3 V below VSS to any digital pin and 0.3 V above VDDA or 0.3 V below VSSA to any analog pin (including VREFHI). This sequencing is still required even if VDDIO and VDDA are not tied together.

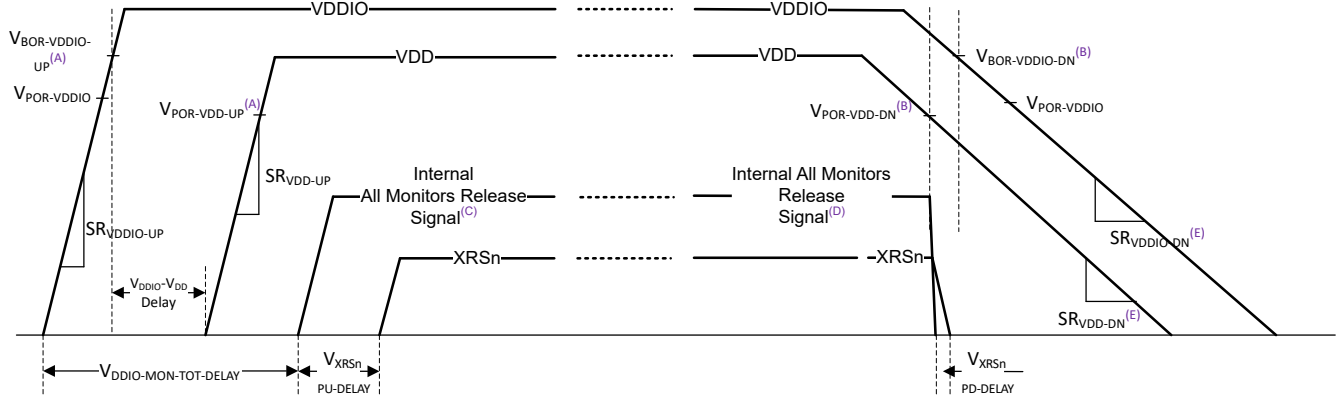
#### CAUTION

If the above sequence is violated, device malfunction and possibly damage can occur as current will flow through unintended parasitic paths in the device.

### 6.16.1.4.3 Supply Pins Power Sequence

#### 6.16.1.4.3.1 External VREG/VDD Mode Sequence

Figure 6-4 depicts the power sequencing requirements for external VREG mode. The values for all the parameters indicated can be found in [Power Management Module Electrical Data and Timing](#).



- This trip point is the trip point before XRSn releases. See the *Power Management Module Characteristics* table.
- This trip point is the trip point after XRSn releases. See the *Power Management Module Characteristics* table.
- During power up, the All Monitors Release Signal goes high after all POR and BOR monitors are released. See the *PMM Block Diagram*.
- During power down, the All Monitors Release Signal goes low if any of the POR or BOR monitors are tripped. See the *PMM Block Diagram*.

**Figure 6-4. External VREG Power Up Sequence**

#### • For Power Up:

- VDDIO (that is, the 3.3-V rail) should come up first with the minimum slew rate specified.
- VDD (that is, the 1.25-V rail) should come up next with the minimum slew rate specified.
- The time delta between the VDDIO rail coming up and when the VDD rail can come up is also specified.
- After the times specified by  $V_{DDIO-MON-TOT-DELAY}$  and  $V_{XRSN-PD-DELAY}$ , XRSn will be released and the device starts the boot-up sequence.
- The I/O BOR monitor has different release points during power up and power down.
- During power up, both VDDIO and VDD rails have to be up before XRSn releases.

#### • For Power Down:

- There is no requirement between VDDIO and VDD on which should power down first; however, there is a minimum slew rate specification.
- The I/O BOR monitor has different release points during power up and power down.
- Any of the POR or BOR monitors that trips during power down will cause XRSn to go low after  $V_{XRSN-PD-DELAY}$ .

#### Note

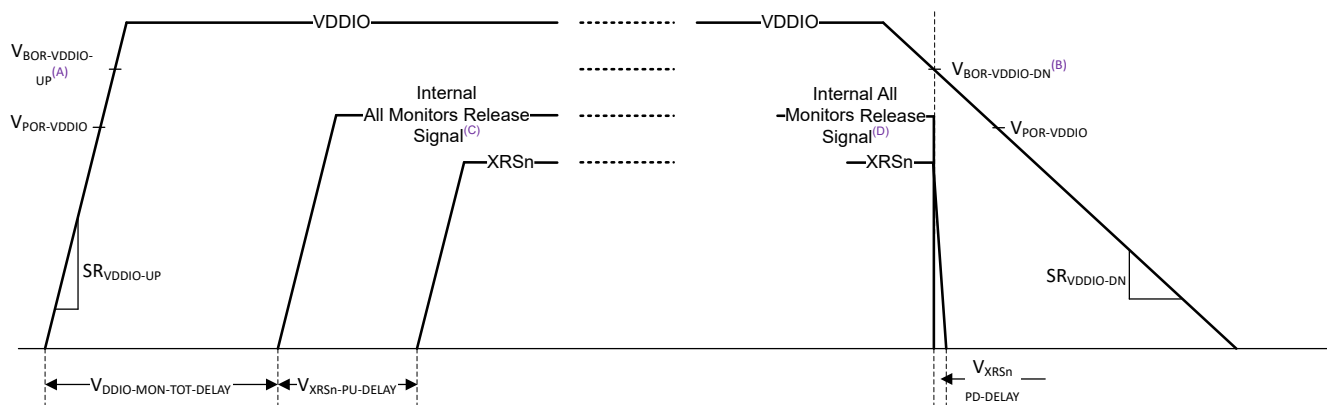
The *All Monitors Release Signal* is an internal signal.

#### Note

If there is an external circuit driving XRSn (for example, a supervisor), the boot-up sequence does not start until the XRSn pin is released by all internal and external sources.

### 6.16.1.4.3.2 Internal VREG/VDD Mode Sequence

Figure 6-5 depicts the power sequencing requirements for internal VREG mode. The values for all the parameters indicated can be found in [Power Management Module Electrical Data and Timing](#).



- This trip point is the trip point before XRSn releases. See the *Power Management Module Characteristics* table.
- This trip point is the trip point after XRSn releases. See the *Power Management Module Characteristics* table.
- During power up, the All Monitors Release Signal goes high after all POR and BOR monitors are released. See the *PMM Block Diagram*.
- During power down, the All Monitors Release Signal goes low if any of the POR or BOR monitors are tripped. See the *PMM Block Diagram*.

**Figure 6-5. Internal VREG Power-Up Sequence**

#### • For Power Up:

- VDDIO (that is, the 3.3-V rail) should come up with the minimum slew rate specified.
- The Internal VREG powers up after the I/O monitors (I/O POR and I/O BOR) are released.
- After the times specified by  $V_{DDIO-MON-TOT-DELAY}$  and  $V_{XRSn-PU-DELAY}$ , XRSn will be released and the device starts the boot-up sequence.
- The I/O BOR monitor has different release points during power up and power down.

#### • For Power Down:

- The only requirement on VDDIO during power down is the slew rate.
- The I/O BOR monitor has different release points during power up and power down.
- The I/O BOR tripping will cause XRSn to go low after  $V_{XRSn-PD-DELAY}$  and also power down the Internal VREG.

#### Note

The *All Monitors Release Signal* is an internal signal.

#### Note

If there is an external circuit driving XRSn (for example, a supervisor), the boot-up sequence does not start until the XRSn pin is released by all internal and external sources.

### 6.16.1.4.3.3 Supply Sequencing Summary and Effects of Violations

The acceptable power-up sequence for the rails is summarized below. "Power up" here means the rail in question has reached the minimum recommended operating voltage.

**CAUTION**  
Non-acceptable sequences leads to reliability concerns and possibly damage.

For simplicity, connecting all 3.3-V rails together and following the descriptions in [Supply Pins Power Sequence](#) is recommended.

**Table 6-1. External VREG Sequence Summary**

| CASE | RAILS POWER-UP ORDER |      |     | ACCEPTABLE |
|------|----------------------|------|-----|------------|
|      | VDDIO                | VDDA | VDD |            |
| A    | 1                    | 2    | 3   | Yes        |
| B    | 1                    | 3    | 2   | Yes        |
| C    | 2                    | 1    | 3   | No         |
| D    | 2                    | 3    | 1   | No         |
| E    | 3                    | 2    | 1   | No         |
| F    | 3                    | 1    | 2   | No         |
| G    | 1                    | 1    | 2   | Yes        |
| H    | 2                    | 2    | 1   | No         |

**Table 6-2. Internal VREG Sequence Summary**

| CASE | RAILS POWER-UP ORDER |      | ACCEPTABLE |
|------|----------------------|------|------------|
|      | VDDIO                | VDDA |            |
| A    | 1                    | 2    | Yes        |
| B    | 2                    | 1    | No         |
| C    | 1                    | 1    | Yes        |

---

**Note**

The analog modules on the device should only be powered after VDDA has reached the minimum recommended operating voltage.

---

**6.16.1.4.3.4 Supply Slew Rate**

VDDIO has a minimum slew rate requirement. If the minimum slew rate is not met, XRSn might toggle a few times until VDDIO crosses the I/O BOR region.

---

**Note**

The toggling on XRSn has no adverse effect on the device as boot only starts once XRSn is steadily high. However if XRSn from the device is used to gate the reset signal of other ICs, then the slew rate requirement should be met to prevent this toggling.

---

VDD has a minimum slew rate requirement in external VREG mode. If the minimum slew rate is not met, the VDD POR may release before the VDD operational minimum voltage is met and the device may not start in a proper reset state.

### 6.16.1.5 Power Management Module Electrical Data and Timing

#### 6.16.1.5.1 Power Management Module Operating Conditions

over recommended operating conditions (unless otherwise noted)

| PARAMETER                       | TEST CONDITIONS                                                      | MIN       | TYP | MAX | UNIT  |
|---------------------------------|----------------------------------------------------------------------|-----------|-----|-----|-------|
| <b>General</b>                  |                                                                      |           |     |     |       |
| $C_{VDDIO}$ (1) (2)             | VDDIO Capacitance Per Pin                                            | 0.1       |     |     | uF    |
| $C_{VDDA}$ (1) (2)              | VDDA Capacitance Per Pin                                             | 2.2       |     |     | uF    |
| $SR_{VDD33}$ (3)                | Supply Ramp Rate of 3.3V Rails (VDDIO, VDDA). Internal/External VREG | Ramp up   | 3   | 100 | mV/us |
|                                 |                                                                      | Ramp down |     | 100 | mV/us |
| $V_{BOR-VDDIO-GB}$ (5)          | VDDIO Brown Out Reset Voltage Guardband                              |           | 0.1 |     | V     |
| <b>External VREG</b>            |                                                                      |           |     |     |       |
| $C_{VDD\ TOTAL}$ (1) (4)        | Total VDD Capacitance                                                | 10        | 22  |     | uF    |
| $SR_{VDD12}$ (3)                | Supply Ramp Rate of VDD Rail                                         | Ramp up   | 2   | 100 | mV/us |
|                                 |                                                                      | Ramp down |     | 100 | mV/us |
| $V_{DD33} - V_{DD12}$ Delay (6) | Ramp Delay Between VDD33 and VDD12                                   | 0         |     |     | us    |
| <b>Internal VREG</b>            |                                                                      |           |     |     |       |
| $C_{VDD\ TOTAL}$ (4)            | Total VDD Capacitance                                                | 10        | 22  |     | uF    |
| $I_{VREG-LOAD}$                 | Voltage Regulator Load Current                                       |           |     | 500 | mA    |

- (1) The exact value of the decoupling capacitance depends on the system voltage regulation solution that is supplying these pins.
- (2) It is recommended to tie the 3.3V rails (VDDIO, VDDA) together and supply them from a single source.
- (3) Supply ramp rate faster than the max can trigger the on-chip ESD protection.
- (4) See the *Power Management Module (PMM)* section on possible configurations for the total decoupling capacitance.
- (5) TI recommends  $V_{BOR-VDDIO-GB}$  to avoid BOR-VDDIO resets due to normal supply noise or load-transient events on the 3.3-V VDDIO system regulator. Good system regulator design and decoupling capacitance (following the system regulator specifications) are important to prevent activation of the BOR-VDDIO during normal device operation. The value of  $V_{BOR-VDDIO-GB}$  is a system-level design consideration; the voltage listed here is typical for many applications.
- (6) Delay between when the 3.3v rail ramps up and when the 1.25v rail ramps up. See the supply sequencing table for the allowable supply ramp sequences.

#### 6.16.1.5.2 Power Management Module Characteristics

over recommended operating conditions (unless otherwise noted)

| PARAMETER                | TEST CONDITIONS                            | MIN                           | TYP  | MAX | UNIT |
|--------------------------|--------------------------------------------|-------------------------------|------|-----|------|
| $V_{VREG}$               | Internal Voltage Regulator Output          |                               | 1.23 |     | V    |
| $V_{VREG-INRUSH}$ (5)    | Internal Voltage Regulator Inrush Current  |                               | 1150 |     | mA   |
| $V_{POR-VDDIO}$          | VDDIO Power on Reset Voltage               | Before and After XRSn Release | 2.45 |     | V    |
| $V_{BOR-VDDIO-UP}$ (1)   | VDDIO Brown Out Reset Voltage on Ramp Up   | Before XRSn Release           |      | 3.0 | V    |
| $V_{BOR-VDDIO-DOWN}$ (1) | VDDIO Brown Out Reset Voltage on Ramp Down | After XRSn Release            | 2.81 | 3.0 | V    |
| $V_{POR-VDD-UP}$ (2)     | VDD Power on Reset Voltage on Ramp Up      | Before XRSn Release           | 1.02 |     | V    |
| $V_{POR-VDD-DOWN}$ (2)   | VDD Power on Reset Voltage on Ramp Down    | After XRSn Release            | 1.02 |     | V    |

**6.16.1.5.2 Power Management Module Characteristics (continued)**

over recommended operating conditions (unless otherwise noted)

| PARAMETER                    |                                                                  | TEST CONDITIONS                                | MIN | TYP | MAX | UNIT |
|------------------------------|------------------------------------------------------------------|------------------------------------------------|-----|-----|-----|------|
| $V_{XRSn-PU-DELAY}^{(3)}$    | XRSn Release Delay after Supplies are Ramped Up During Power-Up  | Internal VREG                                  |     | 320 |     | us   |
| $V_{XRSn-PD-DELAY}^{(4)}$    | XRSn Trip Delay after Supplies are Ramped Down During Power-Down | External VREG                                  |     | 320 |     | us   |
| $V_{XRSn-PD-DELAY}^{(4)}$    | XRSn Trip Delay after Supplies are Ramped Down During Power-Down |                                                |     | 2   |     | ns   |
| $V_{DDIO-MON-TOT-DELAY}$     | Total Delays in Path of VDDIO Monitors (POR, BOR)                |                                                |     | 80  |     | us   |
| $V_{XRSn-MON-RELEASE-DELAY}$ | XRSn Release Delay after a VDD POR Event                         | Internal VREG, Supplies Within Operating Range |     | 360 |     | us   |
|                              | XRSn Release Delay after a VDDIO BOR                             |                                                |     | 360 |     | us   |
|                              | XRSn Release Delay after a VDDIO POR Event                       |                                                |     | 440 |     | us   |
|                              | XRSn Release Delay after a VDD POR Event                         | External VREG, Supplies Within Operating Range |     | 360 |     | us   |
|                              | XRSn Release Delay after a VDDIO BOR                             |                                                |     | 360 |     | us   |
|                              | XRSn Release Delay after a VDDIO POR Event                       |                                                |     | 440 |     | us   |

- (1) See the *Supply Voltages* figure.
- (2)  $V_{POR-VDD}$  is not supported and it is set to trip at a level below the recommended operating conditions. If monitoring of VDD is needed, an external supervisor is required.
- (3) Supplies are considered fully ramped up after they cross the minimum recommended operating conditions for the respective rail. All POR and BOR monitors need to be released before this delay takes effect.
- (4) On power down, any of the POR or BOR monitors that trips will immediately trip XRSn. This delay is the time between any of the POR, BOR monitors tripping and XRSn going low. It is variable and depends on the ramp down rate of the supply.
- (5) This is the transient current drawn on the VDDIO rail when the internal VREG turns on. Due to this, there might be some voltage drops on the VDDIO rail when the VREG turns on which could cause the VREG to ramp up in steps. There is no detriment to the device from this but the effect can be reduced if desired by using sufficient decoupling capacitors on VDDIO or picking an LDO/DC-DC that can supply this transient current.

### 6.16.2 Reset Timing

XRSn is the device reset pin. It functions as an input and open-drain output. The device has a built-in power-on reset (POR) and brown-out reset (BOR) monitors. During power up, the monitor circuits keep the XRSn pin low. For more details, see the *Power Management Module (PMM)* section. A watchdog or NMI watchdog reset will also drive the pin low. An external open-drain circuit may drive the pin to assert a device reset.

A resistor with a value from 2.2 k $\Omega$  to 10 k $\Omega$  should be placed between XRSn and VDDIO. A capacitor should be placed between XRSn and VSS for noise filtering, it should be 100 nF or smaller. These values will allow the watchdog to properly drive the XRSn pin to  $V_{OL}$  within 512 OSCCLK cycles when the watchdog reset is asserted. Figure 6-6 shows the recommended reset circuit.

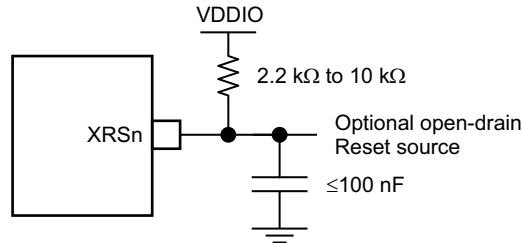


Figure 6-6. Reset Circuit

### 6.16.2.1 Reset Sources

The *Reset Signals* table summarizes the various reset signals and their effect on the device.

**Table 6-3. Reset Signals**

| RESET SOURCE                     | LPOST | HSM RESET | CPU1 SUBSYSTEM RESET | CPU2 SUBSYSTEM RESET | CPU3 SUBSYSTEM RESET | JTAG/ DEBUG LOGIC RESET | IOs  | XRSn OUTPUT |
|----------------------------------|-------|-----------|----------------------|----------------------|----------------------|-------------------------|------|-------------|
| PORESETn_RAW                     | Yes   | Yes       | Yes                  | Yes                  | Yes                  | Yes                     | Hi-Z | Yes         |
| PORESETn                         | -     | Yes       | Yes                  | Yes                  | Yes                  | Yes                     | Hi-Z | Yes         |
| XRSn Pin                         | -     | Yes       | Yes                  | Yes                  | Yes                  | -                       | Hi-Z | -           |
| CPU1.SIMRESET.XRSn               | -     | Yes       | Yes                  | Yes                  | Yes                  | -                       | Hi-Z | Yes         |
| CPU1.WDRSn                       | -     | Yes       | Yes                  | Yes                  | Yes                  | -                       | Hi-Z | Yes         |
| ESM CPU1.NMIWDRSn <sup>(1)</sup> | -     | Yes       | Yes                  | Yes                  | Yes                  | -                       | Hi-Z | Yes         |
| CPU1.SYSRSn (Debugger Reset)     | -     | -         | Yes                  | Yes                  | Yes                  | -                       | Hi-Z | -           |
| CPU2.WDRSn                       | -     | -         | -                    | Yes                  | -                    | -                       | -    | -           |
| ESM CPU2.NMIWDRSn <sup>(1)</sup> | -     | Yes       | Yes                  | Yes                  | Yes                  | -                       | Hi-Z | Yes         |
| CPU2.SYSRSn (Debugger Reset)     | -     | -         | -                    | Yes                  | -                    | -                       | -    | -           |
| CPU3.WDRSn                       | -     | -         | -                    | -                    | Yes                  | -                       | -    | -           |
| ESM CPU3.NMIWDRSn <sup>(1)</sup> | -     | Yes       | Yes                  | Yes                  | Yes                  | -                       | Hi-Z | Yes         |
| CPU3.SYSRSn (Debugger Reset)     | -     | -         | -                    | -                    | Yes                  | -                       | -    | -           |
| ECAT_RESET_OUT                   | -     | Yes       | Yes                  | Yes                  | Yes                  | -                       | Hi-Z | Yes         |

(1) Applicable only if ESM CPU instances are programmed in ESMXRSNCTL register to trigger XRSn. For more details, refer to the Error Signaling Module (ESM\_C29) chapter in the [F29H85x and F29P58x Real-Time Microcontrollers Technical Reference Manual](#).

The parameter  $t_{h(\text{boot-mode})}$  must account for a reset initiated from any of these sources.

See the *Resets* section of the System Control chapter in the [F29H85x and F29P58x Real-Time Microcontrollers Technical Reference Manual](#).

#### CAUTION

Some reset sources are internally driven by the device. Some of these sources will drive XRSn low, use this to disable any other devices driving the boot pins. The SCCRESET and debugger reset sources do not drive XRSn; therefore, the pins used for boot mode should not be actively driven by other devices in the system. The boot configuration has a provision for changing the boot pins in SECCFG.

### 6.16.2.2 Reset Electrical Data and Timing

#### 6.16.2.2.1 Reset XRSn Timing Requirements

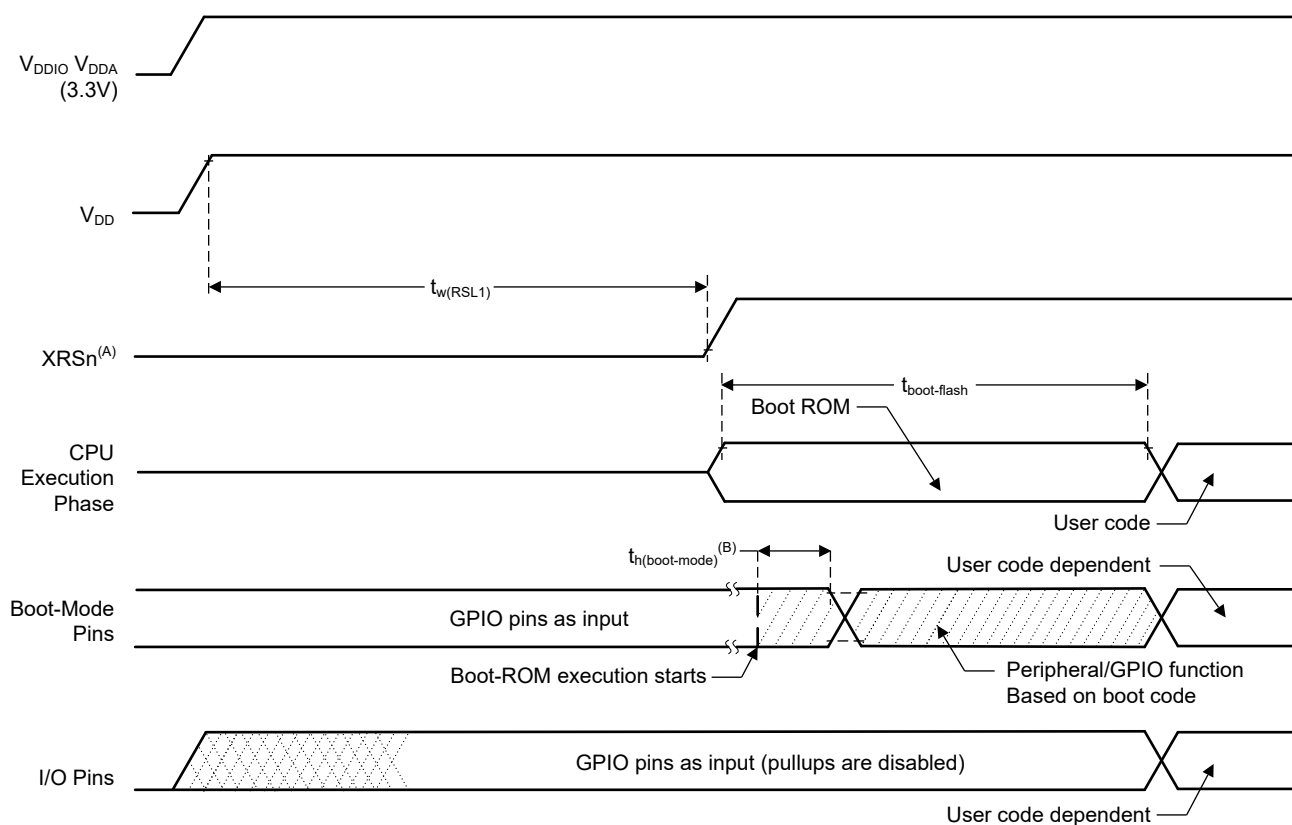
|                           |                                        | MIN | MAX | UNIT          |
|---------------------------|----------------------------------------|-----|-----|---------------|
| $t_{h(\text{boot-mode})}$ | Hold time for boot-mode pins           | 1.5 |     | ms            |
| $t_{w(\text{RSL2})}$      | Pulse duration, XRSn low on warm reset | 3.2 |     | $\mu\text{s}$ |

#### 6.16.2.2.2 Reset XRSn Switching Characteristics

over recommended operating conditions (unless otherwise noted)

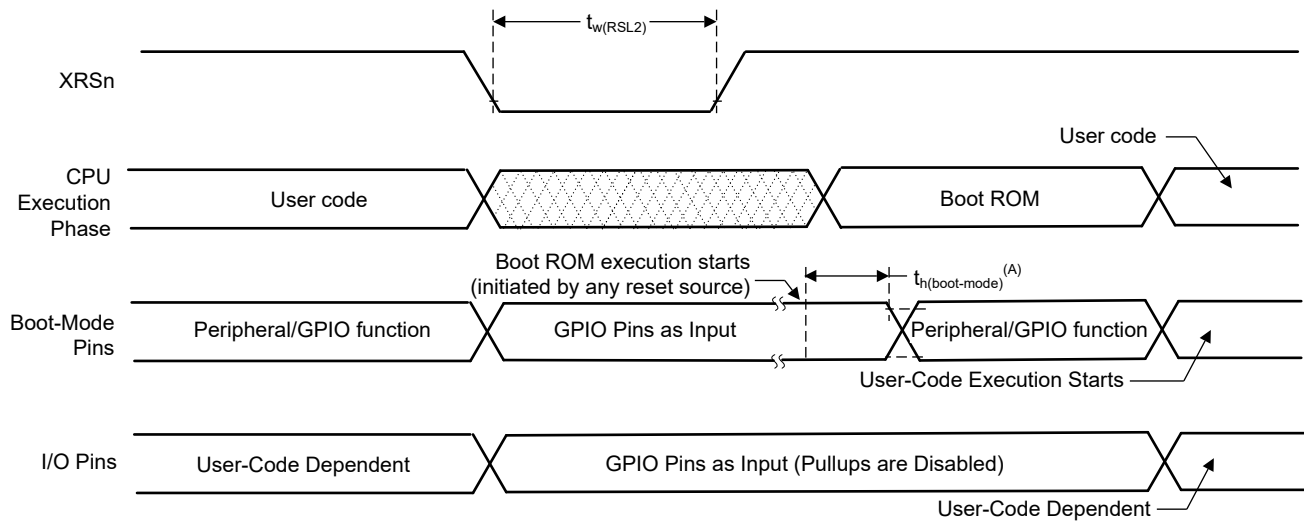
| PARAMETER               |                                                                     | MIN | TYP                         | MAX | UNIT          |
|-------------------------|---------------------------------------------------------------------|-----|-----------------------------|-----|---------------|
| $t_{w(\text{RSL1})}$    | Pulse duration, XRSn driven low by device after supplies are stable |     | 100                         |     | $\mu\text{s}$ |
| $t_{w(\text{WDRS})}$    | Pulse duration, reset pulse generated by watchdog                   |     | $512t_{c(\text{OSCCLOCK})}$ |     | cycles        |
| $t_{\text{boot-flash}}$ | Boot-ROM execution time to first instruction fetch in flash         |     |                             | 80  | ms            |

#### 6.16.2.2.3 Reset Timing Diagrams



- The XRSn pin can be driven externally by a supervisor or an external pullup resistor, see the *Pin Attributes* table. On-chip monitors will hold this pin low until the supplies are in a valid range.
- After reset from any source (see the *Reset Sources* section), the boot ROM code samples Boot Mode pins. Based on the status of the Boot Mode pin, the boot code branches to destination memory or boot code function. If boot ROM code executes after power-on conditions (in debugger environment), the boot code execution time is based on the current SYSCLK speed. The SYSCLK will be based on user environment and could be with or without PLL enabled.

**Figure 6-7. Power-on Reset**



- A. After reset from any source (see the *Reset Sources* section), the Boot ROM code samples BOOT Mode pins. Based on the status of the Boot Mode pin, the boot code branches to destination memory or boot code function. If Boot ROM code executes after power-on conditions (in debugger environment), the Boot code execution time is based on the current SYSCLK speed. The SYSCLK will be based on user environment and could be with or without PLL enabled.

**Figure 6-8. Warm Reset**

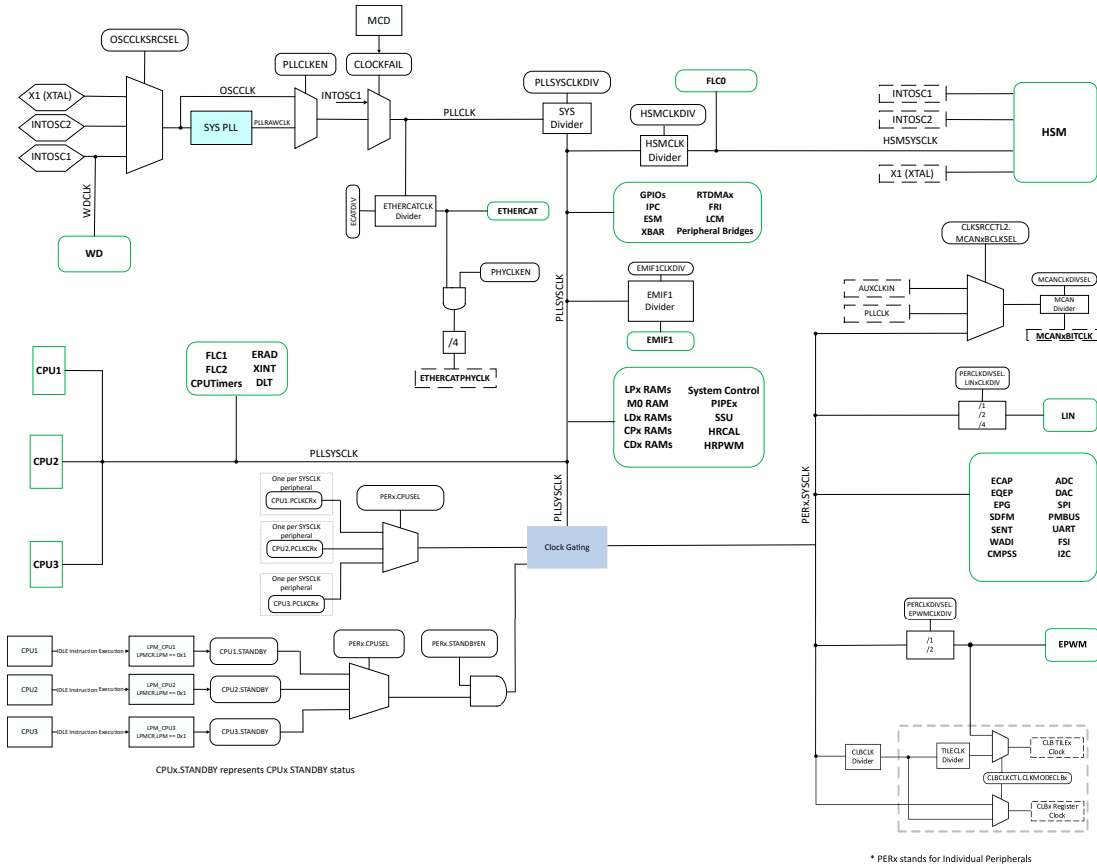
### 6.16.3 Clock Specifications

#### 6.16.3.1 Clock Sources

**Table 6-4. Possible Reference Clock Sources**

| CLOCK SOURCE           | MODULES CLOCKED                                                                                                                           | COMMENTS                                                                                                          |
|------------------------|-------------------------------------------------------------------------------------------------------------------------------------------|-------------------------------------------------------------------------------------------------------------------|
| INTOSC1                | Can be used to provide clock for: <ul style="list-style-type: none"> <li>Watchdog block</li> <li>Main PLL</li> <li>CPU-Timer 2</li> </ul> | Internal oscillator 1.<br>Zero-pin overhead 10-MHz internal oscillator.                                           |
| INTOSC2 <sup>(1)</sup> | Can be used to provide clock for: <ul style="list-style-type: none"> <li>Main PLL</li> <li>CPU-Timer 2</li> </ul>                         | Internal oscillator 2.<br>Zero-pin overhead 10-MHz internal oscillator.                                           |
| XTAL                   | Can be used to provide clock for: <ul style="list-style-type: none"> <li>Main PLL</li> <li>CPU-Timer 2</li> </ul>                         | External crystal or resonator connected between the X1 and X2 pins or single-ended clock connected to the X1 pin. |
| AUXCLKIN               | Can be used to provide clock for: <ul style="list-style-type: none"> <li>MCAN bit clock</li> </ul>                                        | Single-ended 3.3-V level clock source. GPIO133/AUXCLKIN pin should be used to provide the input clock.            |

(1) On reset, internal oscillator 2 (INTOSC2) is the default clock source for system PLL (OSCCLK).



**Figure 6-9. Clocking System**

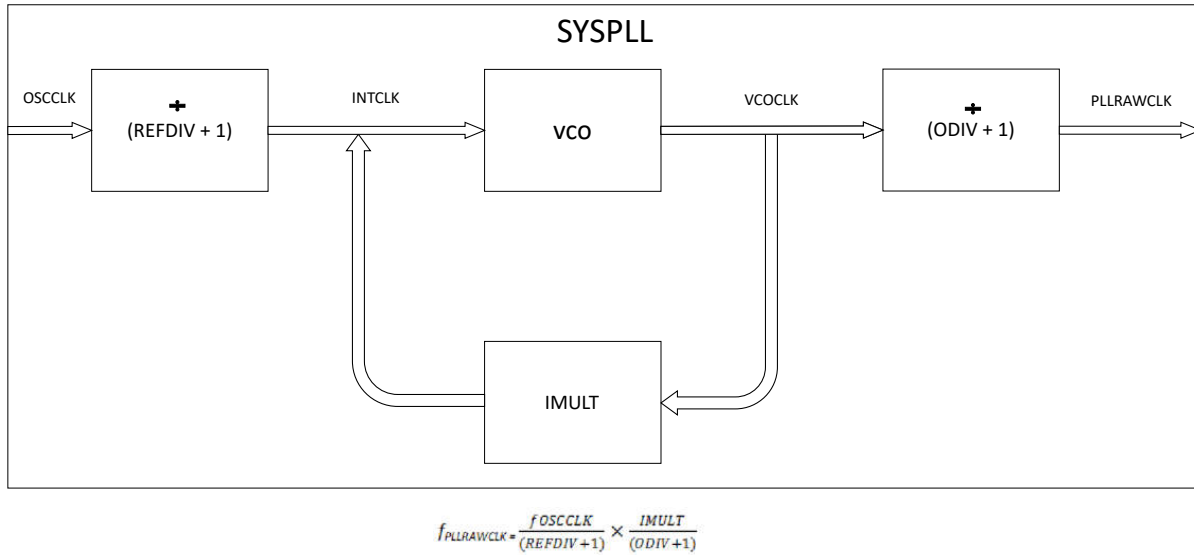


Figure 6-10. SYSPLL

### 6.16.3.2 Clock Frequencies, Requirements, and Characteristics

This section provides the frequencies and timing requirements of the input clocks, PLL lock times, frequencies of the internal clocks, and the frequency and switching characteristics of the output clock.

#### 6.16.3.2.1 Input Clock Frequency and Timing Requirements, PLL Lock Times

##### 6.16.3.2.1.1 Input Clock Frequency

|                     |                                                      | MIN | MAX | UNIT |
|---------------------|------------------------------------------------------|-----|-----|------|
| $f_{(\text{XTAL})}$ | Frequency, X1/X2, from external crystal or resonator | 10  | 20  | MHz  |
| $f_{(\text{X1})}$   | Frequency, X1, from external oscillator              | 10  | 25  | MHz  |

##### 6.16.3.2.1.2 XTAL Oscillator Characteristics

over recommended operating conditions (unless otherwise noted)

| PARAMETER          |                                | MIN         | TYP | MAX         | UNIT |
|--------------------|--------------------------------|-------------|-----|-------------|------|
| X1 $V_{\text{IL}}$ | Valid low-level input voltage  | -0.3        |     | 0.3 * VDDIO | V    |
| X1 $V_{\text{IH}}$ | Valid high-level input voltage | 0.7 * VDDIO |     | VDDIO + 0.3 | V    |

##### 6.16.3.2.1.3 X1 Input Level Characteristics When Using an External Clock Source Not a Crystal

over recommended operating conditions (unless otherwise noted)

| PARAMETER          |                                | MIN         | MAX         | UNIT |
|--------------------|--------------------------------|-------------|-------------|------|
| X1 $V_{\text{IL}}$ | Valid low-level input voltage  | -0.3        | 0.3 * VDDIO | V    |
| X1 $V_{\text{IH}}$ | Valid high-level input voltage | 0.7 * VDDIO | VDDIO + 0.3 | V    |

##### 6.16.3.2.1.4 X1 Timing Requirements

|                            |                                                                     | MIN | MAX | UNIT |
|----------------------------|---------------------------------------------------------------------|-----|-----|------|
| $t_{\text{f}(\text{X1})}$  | Fall time, X1                                                       |     | 6   | ns   |
| $t_{\text{r}(\text{X1})}$  | Rise time, X1                                                       |     | 6   | ns   |
| $t_{\text{w}(\text{X1L})}$ | Pulse duration, X1 low as a percentage of $t_{\text{c}(\text{X1})}$ | 45% | 55% |      |

|              |                                                        | MIN | MAX | UNIT |
|--------------|--------------------------------------------------------|-----|-----|------|
| $t_{w(X1H)}$ | Pulse duration, X1 high as a percentage of $t_{c(X1)}$ | 45% | 55% |      |

### 6.16.3.2.1.5 AUXCLKIN Timing Requirements

|             |                                                               | MIN | MAX | UNIT |
|-------------|---------------------------------------------------------------|-----|-----|------|
| $t_f(AUXI)$ | Fall time, AUXCLKIN                                           |     | 6   | ns   |
| $t_r(AUXI)$ | Rise time, AUXCLKIN                                           |     | 6   | ns   |
| $t_w(AUXL)$ | Pulse duration, AUXCLKIN low as a percentage of $t_{c(XCI)}$  | 45% | 55% |      |
| $t_w(AUXH)$ | Pulse duration, AUXCLKIN high as a percentage of $t_{c(XCI)}$ | 45% | 55% |      |

### 6.16.3.2.1.6 APLL Characteristics

over operating free-air temperature range (unless otherwise noted)

| PARAMETER                            | MIN | TYP                                              | MAX | UNIT |
|--------------------------------------|-----|--------------------------------------------------|-----|------|
| Clock Out Accuracy                   |     |                                                  | 0.2 | %    |
| <b>PLL Lock time</b>                 |     |                                                  |     |      |
| SYS/AUX PLL Lock Time <sup>(1)</sup> |     | $5\mu s + (1024 * (REFDIV + 1) * t_{c(OSCCLK)})$ |     | us   |

- (1) The PLL lock time here defines the typical time that takes for the PLL to lock once PLL is enabled (SYSPLLCTL1[PLLENA]=1). Additional time to verify the PLL clock using Dual Clock Comparator (DCC) is not accounted here. TI recommends using the latest example software from C2000Ware for initializing the PLLs. For the system PLL, see InitSysPll() or SysCtl\_setClock().

### 6.16.3.2.1.7 XCLKOUT Switching Characteristics PLL Bypassed or Enabled

over recommended operating conditions (unless otherwise noted)

| PARAMETER <sup>(1)</sup> |                              | MIN           | MAX           | UNIT |
|--------------------------|------------------------------|---------------|---------------|------|
| $t_f(XCO)$               | Fall time, XCLKOUT           |               | 5             | ns   |
| $t_r(XCO)$               | Rise time, XCLKOUT           |               | 5             | ns   |
| $t_w(XCOL)$              | Pulse duration, XCLKOUT low  | $H - 2^{(2)}$ | $H + 2^{(2)}$ | ns   |
| $t_w(XCOH)$              | Pulse duration, XCLKOUT high | $H - 2^{(2)}$ | $H + 2^{(2)}$ | ns   |
| $f(XCO)$                 | Frequency, XCLKOUT           |               | 50            | MHz  |

- (1) A load of 40 pF is assumed for these parameters.  
 (2)  $H = 0.5t_{c(XCO)}$

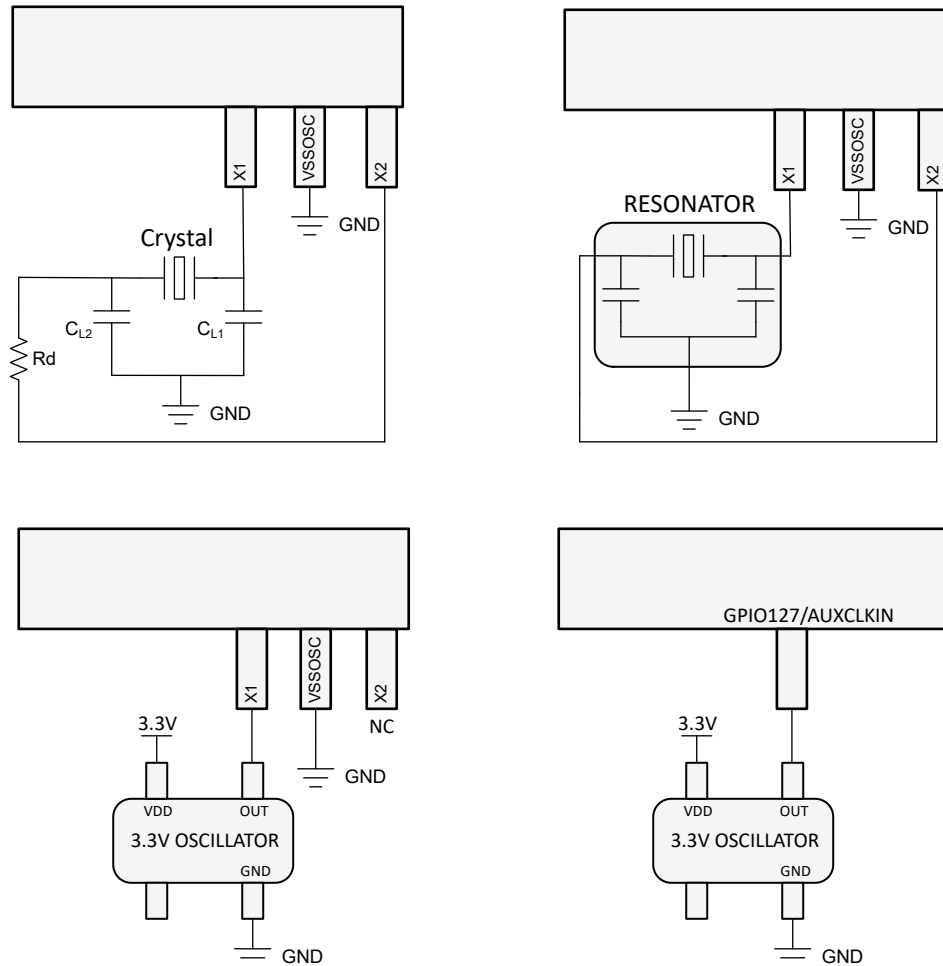
### 6.16.3.2.1.8 Internal Clock Frequencies

|                   |                                                                            | MIN | TYP                  | MAX | UNIT |
|-------------------|----------------------------------------------------------------------------|-----|----------------------|-----|------|
| $f_{(SYSCLK)}$    | Frequency, device (system) clock                                           | 2   |                      | 200 | MHz  |
| $t_{c(SYSCLK)}$   | Period, device (system) clock                                              | 5   |                      | 500 | ns   |
| $f_{(INTCLK)}$    | Frequency, system PLL going into VCO (after REFDIV) <sup>(1)</sup>         | 10  |                      | 25  | MHz  |
| $f_{(VCOCLK)}$    | Frequency, system PLL VCO (before ODIV)                                    | 220 |                      | 600 | MHz  |
| $f_{(PLLRAWCLK)}$ | Frequency, system PLL output (before SYSCLK divider)                       | 6   |                      | 400 | MHz  |
| $f_{(PLL)}$       | Frequency, PLLSYSCLK                                                       | 2   |                      | 200 | MHz  |
| $f_{(PLL\_LIMP)}$ | Frequency, PLL Limp Frequency <sup>(2)</sup>                               |     | $45/(ODIV+1)$        |     | MHz  |
| $f_{(OSCCLK)}$    | Frequency, OSCCLK (INTOSC1 or INTOSC2 or XTAL or X1)                       |     | See respective clock |     | MHz  |
| $f_{(AUXOSCCLK)}$ | Frequency, auxiliary OSCCLK (INTOSC1 or INTOSC2 or XTAL or X1 or AUXCLKIN) |     | See respective clock |     | MHz  |
| $f_{(EPWM)}$      | Frequency, EPWMCLK                                                         |     |                      | 200 | MHz  |
| $f_{(HRPWM)}$     | Frequency, HRPWMCLK                                                        | 60  |                      | 200 | MHz  |

- (1) INTOSC1 and INTOSC2 with +/-3% resolution can be used as a Reference Clock to PLL  
 (2) PLL output frequency when OSCCLK is dead (Loss of OSCCLK causes PLL to Limp)

### 6.16.3.3 Input Clocks

In addition to the internal 0-pin oscillators, multiple external clock source options are available. Figure 6-11 shows the recommended methods of connecting crystals, resonators, and oscillators to pins X1/X2 (also referred to as XTAL) and AUXCLKIN.



**Figure 6-11. Connecting Input Clocks to a F29H85x, F29P58x, and F29P32x Device**

### 6.16.3.4 XTAL Oscillator

#### 6.16.3.4.1 Introduction

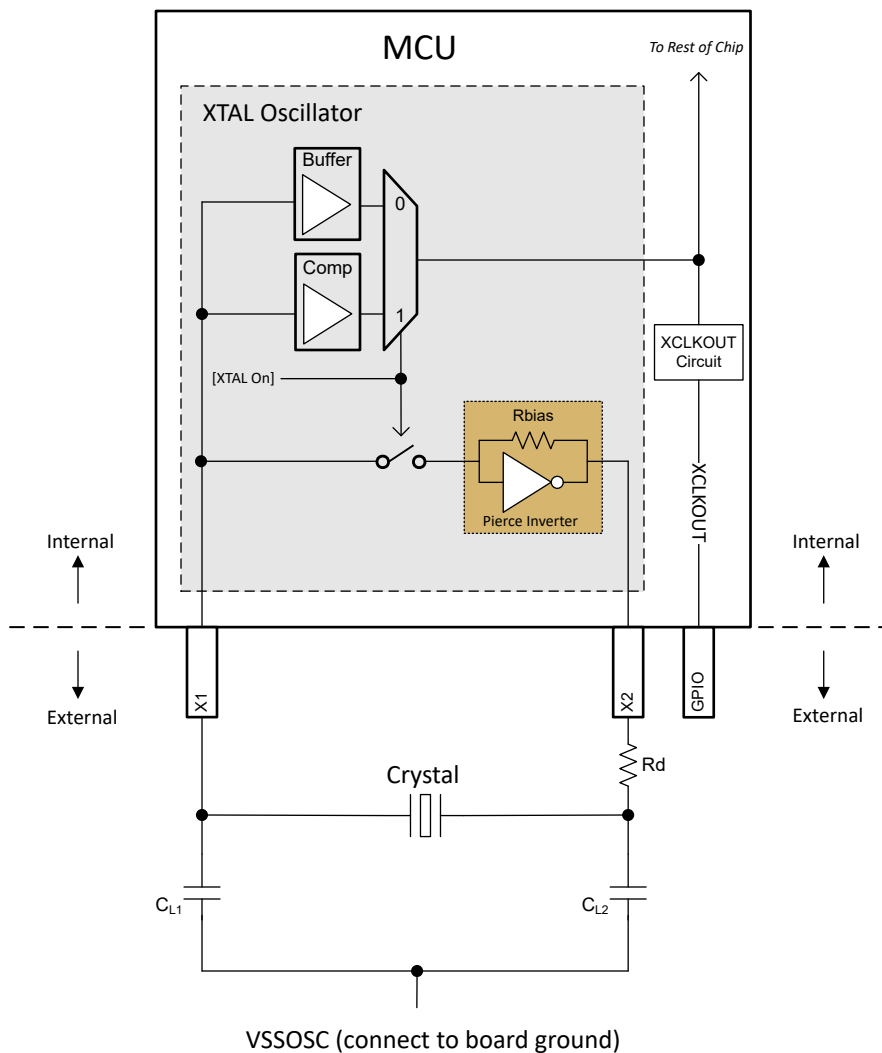
The crystal oscillator in this device is an embedded electrical oscillator that, when paired with a compatible quartz crystal (or a ceramic resonator), can generate the system clock required by the device.

#### 6.16.3.4.2 Overview

The following sections describe the components of the electrical oscillator and crystal.

##### 6.16.3.4.2.1 Electrical Oscillator

The electrical oscillator in this device is a Pierce oscillator. It is a positive feedback inverter circuit that requires a tuning circuit in order to oscillate. When this oscillator is paired with a compatible crystal, a tank circuit is formed. This tank circuit oscillates at the fundamental frequency of the crystal. On this device, the oscillator is designed to operate in parallel resonance mode due to the shunt capacitor (C0) and required load capacitors (CL). Figure 6-12 illustrates the components of the electrical oscillator and the tank circuit.



**Figure 6-12. Electrical Oscillator Block Diagram**

#### 6.16.3.4.2.1.1 Modes of Operation

The electrical oscillator in this device has two modes of operation: crystal mode and single-ended mode.

##### 6.16.3.4.2.1.1.1 Crystal Mode of Operation

In the crystal mode of operation, a quartz crystal with load capacitors has to be connected to X1 and X2.

This mode of operation is engaged when [XTAL On] = 1, which is achieved by setting XTALCR.OSCOFF = 0 and XTALCR.SE = 0. There is an internal bias resistor for the feedback loop so an external one should not be used. Adding an external bias resistor will create a parallel resistance with the internal Rbias, moving the bias point of operation and possibly leading to clipped waveforms, out-of-specification duty cycle, and reduction in the effective negative resistance.

In this mode of operation, the resultant clock on X1 is passed through a comparator (Comp) to the rest of the chip. The clock on X1 needs to meet the VIH and VIL of the comparator. See the *XTAL Oscillator Characteristics* table for the VIH and VIL requirements of the comparator.

##### 6.16.3.4.2.1.1.2 Single-Ended Mode of Operation

In the single-ended mode of operation, a clock signal is connected to X1 with X2 left unconnected. A quartz crystal should not be used in this mode.

This mode is enabled when [XTAL On] = 0, which can be achieved by setting XTALCR.OSCOFF = 1 and XTALCR.SE = 1.

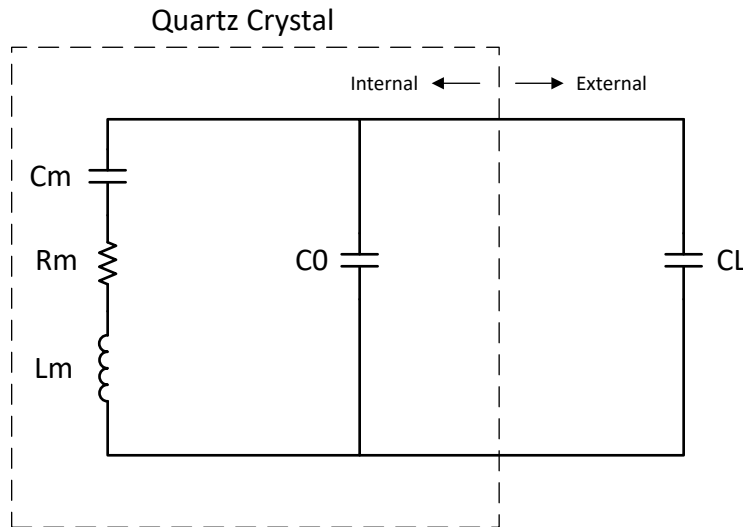
In this mode of operation, the clock on X1 is passed through a buffer (Buffer) to the rest of the chip. See the *X1 Input Level Characteristics When Using an External Clock Source (Not a Crystal)* table for the input requirements of the buffer.

#### 6.16.3.4.2.1.2 XTAL Output on XCLKOUT

The output of the electrical oscillator that is fed to the rest of the chip can be brought out on XCLKOUT for observation by configuring the CLKSRCCTL3.XCLKOUTSEL and XCLKOUTDIVSEL.XCLKOUTDIV registers. See the *GPIO Muxed Pins* table for a list of GPIOs that XCLKOUT comes out on.

#### 6.16.3.4.2.2 Quartz Crystal

Electrically, a quartz crystal can be represented by an LCR (Inductor-Capacitor-Resistor) circuit. However, unlike an LCR circuit, crystals have very high Q due to the low motional resistance and are also very underdamped. Components of the crystal are shown in [Figure 6-13](#) and explained below.



**Figure 6-13. Crystal Electrical Representation**

**Cm (Motional capacitance):** Denotes the elasticity of the crystal.

**Rm (Motional resistance):** Denotes the resistive losses within the crystal. This is not the ESR of the crystal but can be approximated as such depending on the values of the other crystal components.

**Lm (Motional inductance):** Denotes the vibrating mass of the crystal.

**C0 (Shunt capacitance):** The capacitance formed from the two crystal electrodes and stray package capacitance.

**CL (Load capacitance):** This is the effective capacitance seen by the crystal at its electrodes. It is external to the crystal. The frequency ppm specified in the crystal data sheet is usually tied to the CL parameter.

Note that most crystal manufacturers specify CL as the effective capacitance seen at the crystal pins, while some crystal manufacturers specify CL as the capacitance on just one of the crystal pins. Check with the crystal manufacturer for how the CL is specified in order to use the correct values in calculations.

From [Figure 6-12](#), CL1 and CL2 are in series; so, to find the equivalent total capacitance seen by the crystal, the capacitance series formula has to be applied which simply evaluates to  $[CL1]/2$  if  $CL1 = CL2$ .

It is recommended that a stray PCB capacitance be added to this value. 3 pF to 5 pF are reasonable estimates, but the actual value will depend on the PCB in question.

Note that the load capacitance is a requirement of both the electrical oscillator and crystal. The value chosen has to satisfy both the electrical oscillator and the crystal.

The effect of CL on the crystal is frequency-pulling. If the effective load capacitance is lower than the target, the crystal frequency will increase and vice versa. However, the effect of frequency-pulling is usually very minimal and typically results in less than 10-ppm variation from the nominal frequency.

#### 6.16.3.4.2.3 GPIO Modes of Operation

Refer to the *External Oscillator (XTAL)* section of the .

#### 6.16.3.4.3 Functional Operation

##### 6.16.3.4.3.1 ESR – Effective Series Resistance

Effective Series Resistance is the resistive load the crystal presents to the electrical oscillator at resonance. The higher the ESR, the lower the Q, and less likely the crystal will start up or maintain oscillation. The relationship between ESR and the crystal components is indicated below.

$$ESR = R_m * \left(1 + \frac{C_0}{CL}\right)^2 \quad (1)$$

Note that ESR is not the same as motional resistance of the crystal, but can be approximated as such if the effective load capacitance is much greater than the shunt capacitance.

##### 6.16.3.4.3.2 Rneg – Negative Resistance

Negative resistance is the impedance presented by the electrical oscillator to the crystal. It is the amount of energy the electrical oscillator must supply to the crystal to overcome the losses incurred during oscillation. Rneg depicts a circuit that provides rather than consume energy and can also be viewed as the overall gain of the circuit.

The generally accepted practice is to have Rneg > 3x ESR to 5x ESR to ensure the crystal starts up under all conditions. Note that it takes slightly more energy to start up the crystal than it does to sustain oscillation; therefore, if it can be ensured that the negative resistance requirement is met at start-up, then oscillation sustenance will not be an issue.

Figure 6-14 and Figure 6-15 show the variation between negative resistance and the crystal components for this device. As can be seen from the graphs, the crystal shunt capacitance (C0) and effective load capacitance (CL) greatly influence the negative resistance of the electrical oscillator. Note that these are typical graphs; so, refer to Table 6-5 for minimum and maximum values for design considerations.

##### 6.16.3.4.3.3 Start-up Time

Start-up time is an important consideration when selecting the components of the crystal circuit. As mentioned in the *Rneg – Negative Resistance* section, for reliable start-up across all conditions, it is recommended that the Rneg > 3x ESR to 5x ESR of the crystal.

Crystal ESR and the dampening resistor (Rd) greatly affect the start-up time. The higher the two values, the longer the crystal takes to start up. Longer start-up times are usually a sign that the crystal and components are not a correct match.

Refer to the *Crystal Oscillator Specifications* section for the typical start-up times. Note that the numbers specified here are typical numbers provided for guidance only. Actual start-up time depends heavily on the crystal in question and the external components.

##### 6.16.3.4.3.4 DL – Drive Level

Drive level refers to how much power is provided by the electrical oscillator and dissipated by the crystal. The maximum drive level specified in the crystal manufacturer's data sheet is usually the maximum the crystal can dissipate without damage or significant reduction in operating life. On the other hand, the drive level specified

by the electrical oscillator is the maximum power it can provide. The actual power provided by the electrical oscillator is not necessarily the maximum power and depends on the crystal and board components.

For cases where the actual drive level from the electrical oscillator exceeds the maximum drive level specification of the crystal, a dampening resistor ( $R_d$ ) should be installed to limit the current and reduce the power dissipated by the crystal. Note that  $R_d$  reduces the circuit gain; and therefore, the actual value to use should be evaluated to make sure all other conditions for start-up and sustained oscillation are met.

#### 6.16.3.4.4 How to Choose a Crystal

Using [Crystal Oscillator Specifications](#) as a reference:

1. Pick a crystal frequency (for example, 20 MHz).
2. Check that the ESR of the crystal  $\leq 50 \Omega$  per specifications for 20 MHz.
3. Check that the load capacitance requirement of the crystal manufacturer is within 6 pF and 12 pF per specifications for 20 MHz.
  - As mentioned, CL1 and CL2 are in series; so, provided  $CL1 = CL2$ , effective load capacitance  $CL = [CL1]/2$ .
  - Adding board parasitics to this results in  $CL = [CL1]/2 + C_{stray}$
4. Check that the maximum drive level of the crystal  $\geq 1 \text{ mW}$ . If this requirement is not met, a dampening resistor  $R_d$  can be used. Refer to [DL – Drive Level](#) on other points to consider when using  $R_d$ .

#### 6.16.3.4.5 Testing

It is recommended that the user have the crystal manufacturer completely characterize the crystal with their board to ensure the crystal always starts up and maintains oscillation.

Below is a brief overview of some measurements that can be performed:

Due to how sensitive the crystal circuit is to capacitance, it is recommended that scope probes not be connected to X1 and X2. If scope probes must be used to monitor X1/X2, an active probe with less than 1-pF input capacitance should be used.

#### Frequency

1. Bring out the XTAL on XCLKOUT.
2. Measure this frequency as the crystal frequency.

#### Negative Resistance

1. Bring out the XTAL on XCLKOUT.
2. Place a potentiometer in series with the crystal between the load capacitors.
3. Increase the resistance of the potentiometer until the clock on XCLKOUT stops.
4. This resistance plus the crystal's actual ESR is the negative resistance of the electrical oscillator.

#### Start-Up Time

1. Turn off the XTAL.
2. Bring out the XTAL on XCLKOUT.
3. Turn on the XTAL and measure how long it takes the clock on XCLKOUT to stay within 45% and 55% duty cycle.

#### 6.16.3.4.6 Common Problems and Debug Tips

##### Crystal Fails to Start Up

- Go through the [How to Choose a Crystal](#) section and make sure there are no violations.

##### Crystal Takes a Long Time to Start Up

- If a dampening resistor  $R_d$  is installed, it is too high.

- If no dampening resistor is installed, either the crystal ESR is too high or the overall circuit gain is too low due to high load capacitance.

**6.16.3.4.7 Crystal Oscillator Specifications**

**6.16.3.4.7.1 Crystal Equivalent Series Resistance (ESR) Requirements**

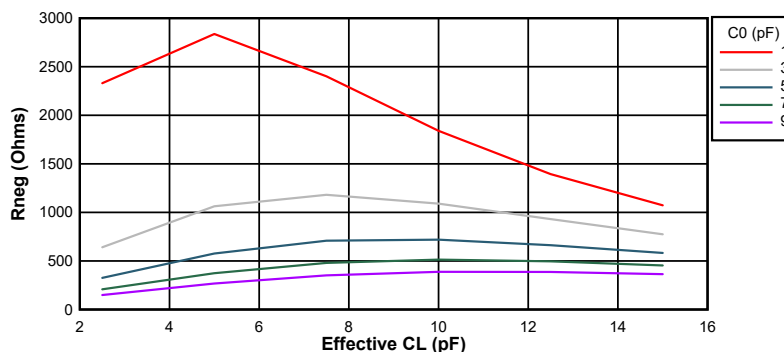
For the [Crystal Equivalent Series Resistance \(ESR\) Requirements](#) table:

1. Crystal shunt capacitance (C0) should be less than or equal to 7 pF.
2. ESR = Negative Resistance/3

**Table 6-5. Crystal Equivalent Series Resistance (ESR) Requirements**

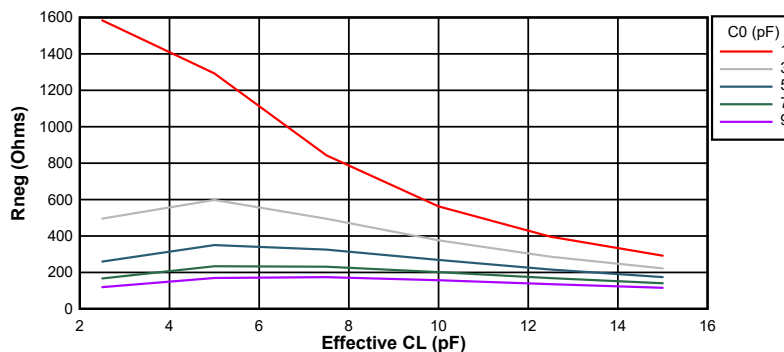
| CRYSTAL FREQUENCY (MHz) | MAXIMUM ESR (Ω)<br>(CL1 = CL2 = 12 pF) | MAXIMUM ESR (Ω)<br>(CL1 = CL2 = 24 pF) |
|-------------------------|----------------------------------------|----------------------------------------|
| 10                      | 55                                     | 110                                    |
| 12                      | 50                                     | 95                                     |
| 14                      | 50                                     | 90                                     |
| 16                      | 45                                     | 75                                     |
| 18                      | 45                                     | 65                                     |
| 20                      | 45                                     | 50                                     |

**Negative Resistance vs. 10MHz Crystal**



**Figure 6-14. Negative Resistance Variation at 10 MHz**

**Negative Resistance vs. 20MHz Crystal**



**Figure 6-15. Negative Resistance Variation at 20 MHz**

### 6.16.3.4.7.2 Crystal Oscillator Parameters

|          |                           | MIN | MAX | UNIT |
|----------|---------------------------|-----|-----|------|
| CL1, CL2 | Load capacitance          | 12  | 24  | pF   |
| C0       | Crystal shunt capacitance |     | 7   | pF   |

### 6.16.3.4.7.3 Crystal Oscillator Electrical Characteristics

over recommended operating conditions (unless otherwise noted)

| PARAMETER                    |            | TEST CONDITIONS                                   | MIN | TYP | MAX | UNIT |
|------------------------------|------------|---------------------------------------------------|-----|-----|-----|------|
| Start-up time <sup>(1)</sup> | f = 10 MHz | ESR MAX = 110 Ω<br>CL1 = CL2 = 24 pF<br>C0 = 7 pF |     | 4   |     | ms   |
|                              | f = 20 MHz | ESR MAX = 50 Ω<br>CL1 = CL2 = 24 pF<br>C0 = 7 pF  |     | 2   |     | ms   |
| Crystal drive level (DL)     |            |                                                   |     |     | 1   | mW   |

- (1) Start-up time is dependent on the crystal and tank circuit components. TI recommends that the crystal vendor characterize the application with the chosen crystal.

### 6.16.3.5 Internal Oscillators

To reduce production board costs and application development time, all devices contain two independent internal oscillators, referred to as INTOSC1 and INTOSC2. By default, INTOSC2 is set as the source for the system reference clock (OSCCLK) and INTOSC1 is set as the backup clock source.

#### 6.16.3.5.1 INTOSC Characteristics

over recommended operating conditions (unless otherwise noted)

| PARAMETER                     |                                               | PACKAGE SUFFIX | TEST CONDITIONS   | MIN       | TYP  | MAX         | UNIT |
|-------------------------------|-----------------------------------------------|----------------|-------------------|-----------|------|-------------|------|
| f <sub>INTOSC</sub>           | Frequency, INTOSC1 and INTOSC2 <sup>(1)</sup> | All            | -40°C to 125°C    | 9.7 (-3%) | 10   | 10.3 (3.0%) | MHz  |
| f <sub>INTOSC-STABILITY</sub> | Frequency stability at room temperature       | All            | 30°C, Nominal VDD |           | ±0.1 |             | %    |
| t <sub>INTOSC-ST</sub>        | Start-up and settling time                    | All            |                   |           |      | 20          | µs   |

- (1) INTOSC frequency may shift due to the thermal and mechanical stress of solder reflow. A post-reflow bake can restore the unit to its original datasheet performance.

### 6.16.4 Flash Parameters

The on-chip flash memory is tightly integrated to the CPU, allowing code execution directly from flash through 256-bit-wide prefetch reads, a pipeline buffer and code block cache. Flash performance for sequential code is equal to execution from RAM. Factoring in discontinuities, most applications will run with an efficiency of approximately 80% relative to code executing from RAM.

This device also has SECCFG sectors which are used for security configuration and flash management.

Table 6-6 lists the minimum required wait states for C29 flash and Table 6-7 for HSM flash at different frequencies. The *Flash Parameters* table lists the flash parameters.

**Table 6-6. Minimum Required C29 Flash Wait States with Different Clock Frequencies**

| CPUCLK (MHz)       | Wait States (FRDCNTL[RWAIT]) <sup>(1)</sup> |
|--------------------|---------------------------------------------|
| 150 < CPUCLK ≤ 200 | 3                                           |
| 100 < CPUCLK ≤ 150 | 2                                           |
| 0 < CPUCLK ≤ 100   | 1                                           |

(1) Minimum required FRDCNTL[RWAIT] is 1, RWAIT=0 is not supported.

**Table 6-7. Minimum Required HSM Flash Wait States with Different Clock Frequencies**

| HSMCLK (MHz)      | Wait States (FRDCNTL[RWAIT]) <sup>(1)</sup> |
|-------------------|---------------------------------------------|
| 80 < HSMCLK ≤ 100 | 2                                           |
| 0 < HSMCLK ≤ 80   | 1                                           |

(1) Minimum required FRDCNTL[RWAIT] is 1, RWAIT=0 is not supported.

**6.16.4.1 C29 Flash Parameters**

| PARAMETER                                                                               |                             | MIN | TYP  | MAX    | UNIT   |
|-----------------------------------------------------------------------------------------|-----------------------------|-----|------|--------|--------|
| Program Time <sup>(1)</sup> (on a data region)                                          | 128 data bits + 16 ECC bits |     | 62.5 | 625    | μs     |
|                                                                                         | 2KB (Sector)                |     | 8    | 80     | ms     |
| Program Time <sup>(1)</sup> (on a program region, interleaved)                          | 256 data bits + 32 ECC bits |     | 125  | 1250   | μs     |
|                                                                                         | 4KB (Sector)                |     | 16   | 160    | ms     |
| EraseTime <sup>(2) (3)</sup> at < 25 cycles (on a data region)                          | 2KB (Sector)                |     | 15   | 55     | ms     |
|                                                                                         | 64KB                        |     | 17   | 61     | ms     |
|                                                                                         | 128KB                       |     | 18   | 66     | ms     |
|                                                                                         | 256KB                       |     | 21   | 78     | ms     |
| EraseTime <sup>(2) (3)</sup> at < 25 cycles (on a program region, interleaved)          | 4KB (Sector)                |     | 30   | 110    | ms     |
|                                                                                         | 128KB                       |     | 34   | 122    | ms     |
|                                                                                         | 256KB                       |     | 36   | 132    | ms     |
|                                                                                         | 512KB                       |     | 42   | 156    | ms     |
|                                                                                         | 1MB                         |     | 52   | 178    | ms     |
| EraseTime <sup>(2) (3)</sup> at 1000 cycles                                             | 2KB (Sector)                |     | 25   | 130    | ms     |
|                                                                                         | 64KB                        |     | 28   | 143    | ms     |
|                                                                                         | 128KB                       |     | 30   | 157    | ms     |
|                                                                                         | 256KB                       |     | 35   | 183    | ms     |
|                                                                                         | 512KB                       |     | 39   | 199    | ms     |
| EraseTime <sup>(2) (3)</sup> at 2000 cycles                                             | 2KB (Sector)                |     | 30   | 221    | ms     |
|                                                                                         | 64KB                        |     | 33   | 243    | ms     |
|                                                                                         | 128KB                       |     | 36   | 265    | ms     |
|                                                                                         | 256KB                       |     | 42   | 310    | ms     |
|                                                                                         | 512KB                       |     | 49   | 335    | ms     |
| EraseTime <sup>(2) (3)</sup> at 20K cycles                                              | 2KB (Sector)                |     | 120  | 1003   | ms     |
|                                                                                         | 64KB                        |     | 132  | 1102   | ms     |
|                                                                                         | 128KB                       |     | 145  | 1205   | ms     |
|                                                                                         | 256KB                       |     | 169  | 1410   | ms     |
|                                                                                         | 512KB                       |     | 185  | 1560   | ms     |
| N <sub>wec</sub> Write/Erase Cycles per sector                                          |                             |     |      | 20000  | cycles |
| N <sub>wec</sub> Write/Erase Cycles for entire device (limited by flash pump endurance) |                             |     |      | 100000 | cycles |
| t <sub>retention</sub> Data retention duration at T <sub>J</sub> = 85°C                 |                             | 20  |      |        | years  |
| F <sub>clk</sub>                                                                        |                             |     |      | 50     | MHz    |

- (1) Program time is at the maximum device frequency. Program time includes overhead of the flash state machine but does not include the time to transfer the following into RAM:
- Code that uses flash API to program the flash
  - Flash API itself
  - Flash data to be programmed
- In other words, the time indicated in this table is applicable after all the required code/data is available in the device RAM, ready for programming. The transfer time will significantly vary depending on the speed of the JTAG debug probe used. Program time calculation is based on programming 144 bits at a time at the specified operating frequency. Program time includes Program verify by the CPU. The program time does not degrade with write/erase (W/E) cycling, but the erase time does. Erase time includes Erase verify by the CPU and does not involve any data transfer.
- (2) Erase time includes Erase verify by the CPU.
- (3) The on-chip flash memory is in an erased state when the device is shipped from TI. As such, erasing the flash memory is not required prior to programming, when programming the device for the first time. However, the erase operation is needed on all subsequent programming operations.

### 6.16.4.2 HSM Flash Parameters

| PARAMETER                                                                               |                             | MIN | TYP  | MAX    | UNIT   |
|-----------------------------------------------------------------------------------------|-----------------------------|-----|------|--------|--------|
| Program Time <sup>(1)</sup>                                                             | 128 data bits + 16 ECC bits |     | 62.5 | 625    | µs     |
|                                                                                         | 2KB (Sector)                |     | 8    | 80     | ms     |
| EraseTime <sup>(2) (3)</sup> at < 25 cycles                                             | 2KB (Sector)                |     | 15   | 55     | ms     |
|                                                                                         | 64KB                        |     | 17   | 61     | ms     |
|                                                                                         | 128KB                       |     | 18   | 66     | ms     |
|                                                                                         | 256KB                       |     | 21   | 78     | ms     |
|                                                                                         | 512KB                       |     | 26   | 89     | ms     |
| EraseTime <sup>(2) (3)</sup> at 1000 cycles                                             | 2KB (Sector)                |     | 25   | 130    | ms     |
|                                                                                         | 64KB                        |     | 28   | 143    | ms     |
|                                                                                         | 128KB                       |     | 30   | 157    | ms     |
|                                                                                         | 256KB                       |     | 35   | 183    | ms     |
|                                                                                         | 512KB                       |     | 39   | 199    | ms     |
| EraseTime <sup>(2) (3)</sup> at 2000 cycles                                             | 2KB (Sector)                |     | 30   | 221    | ms     |
|                                                                                         | 64KB                        |     | 33   | 243    | ms     |
|                                                                                         | 128KB                       |     | 36   | 265    | ms     |
|                                                                                         | 256KB                       |     | 42   | 310    | ms     |
|                                                                                         | 512KB                       |     | 49   | 335    | ms     |
| EraseTime <sup>(2) (3)</sup> at 20K cycles                                              | 2KB (Sector)                |     | 120  | 1003   | ms     |
|                                                                                         | 64KB                        |     | 132  | 1102   | ms     |
|                                                                                         | 128KB                       |     | 145  | 1205   | ms     |
|                                                                                         | 256KB                       |     | 169  | 1410   | ms     |
|                                                                                         | 512KB                       |     | 185  | 1560   | ms     |
| N <sub>wec</sub> Write/Erase Cycles per sector                                          |                             |     |      | 20000  | cycles |
| N <sub>wec</sub> Write/Erase Cycles for entire device (limited by flash pump endurance) |                             |     |      | 100000 | cycles |
| t <sub>retention</sub> Data retention duration at T <sub>J</sub> = 85°C                 |                             | 20  |      |        | years  |
| F <sub>clk</sub>                                                                        |                             |     |      | 50     | MHz    |

- (1) Program time is at the maximum device frequency. Program time includes overhead of the flash state machine but does not include the time to transfer the following into RAM:
  - Code that uses flash API to program the flash
  - Flash API itself
  - Flash data to be programmed
 In other words, the time indicated in this table is applicable after all the required code/data is available in the device RAM, ready for programming. The transfer time will significantly vary depending on the speed of the JTAG debug probe used. Program time calculation is based on programming 144 bits at a time at the specified operating frequency. Program time includes Program verify by the CPU. The program time does not degrade with write/erase (W/E) cycling, but the erase time does. Erase time includes Erase verify by the CPU and does not involve any data transfer.
- (2) Erase time includes Erase verify by the CPU.
- (3) The on-chip flash memory is in an erased state when the device is shipped from TI. As such, erasing the flash memory is not required prior to programming, when programming the device for the first time. However, the erase operation is needed on all subsequent programming operations.

## 6.16.5 Memory Subsystem (MEMSS)

### 6.16.5.1 Introduction

The MEMSS, or Memory Subsystem, covers the memory architecture used on the C29x platform. Each CPU has a 128-bit program bus, two 64-bit read buses, and a 64-bit write bus. RAM test and memory initialization can only be done from CPU1. Disable the dataline buffer using the enable bit in the MEM\_DLB\_CONFIG register before initializing memory or running the test mode to invalidate the last buffered data.

**Table 6-8. Naming Conventions**

| Name     | Read Word Access | Zero Wait State Optimization     |
|----------|------------------|----------------------------------|
| LPAx RAM | 128-bit word     | Program Access for CPU1 and CPU2 |
| LDAX RAM | 64-bit word      | Data Access for CPU1 and CPU2    |
| CPAx RAM | 128-bit word     | Program Access for CPU1 and CPU3 |
| CDAX RAM | 64-bit word      | Data Access for CPU1 and CPU3    |

### 6.16.5.2 Features

The MEMSS implements the following features for memory:

- RAM:
  - RTDMA throughput optimization with local lookahead address generation
  - Common dataline buffer for each CPU (2x64-bit words)
  - Common program bridge for each CPU
  - ECC support with 32-bit granularity
  - Read-modify-write for write access smaller than ECC granularity
  - Posted write to minimize stalls on read-modify-write operation
  - Test mode to read/write ECC bits and error injection
- ROM:
  - ECC support with 64-bit granularity to reduce ECC bits overhead
  - One wait state program and data access
  - Prefetch with 256-bit wide memory
  - Dedicated local line buffer of 256 bits
- To reduce ECC bit overhead, there are no separate address ECC bits; ECC is generated by combining data and address

**6.16.5.3 RAM Specifications**

**Table 6-9. RAM Parameters**

| RAM SECTION | INTERLEAVED | CPU1                    | CPU2                    | CPU3                    | HSM | RTDMA1 | RTDMA2 |
|-------------|-------------|-------------------------|-------------------------|-------------------------|-----|--------|--------|
| LPAx RAM    | Yes         | 0WS program<br>1WS data | 0WS program<br>1WS data | 3WS data                |     | 1WS    | 1WS    |
| LDAx RAM    | Yes         | 1WS program<br>0WS data | 1WS program<br>0WS data | 3WS data                | 2WS | 1WS    | 1WS    |
| M0 RAM      | Yes         | 1WS program<br>0WS data | 0WS data<br>(read-only) | 3WS data<br>(read-only) |     |        |        |
| CPAx RAM    | Yes         | 0WS program<br>1WS data | 3WS data                | 0WS program<br>1WS data |     | 1WS    | 1WS    |
| CDAx RAM    | Yes         | 1WS program<br>0WS data | 3WS data                | 1WS program<br>0WS data |     | 1WS    | 1WS    |
| CPU1 ROM    | Yes         | 1WS program<br>1WS data |                         |                         |     |        |        |
| CPU2 ROM    | Yes         |                         | 1WS program<br>1WS data |                         |     |        |        |
| CPU3 ROM    | Yes         |                         |                         | 1WS program<br>1WS data |     |        |        |

**Table 6-10. RAM Initialization Timings**

| RAM TYPE | SIZE | MEMORY WIDTH (BITS) | INITIALIZATION TIME (CYCLES) |
|----------|------|---------------------|------------------------------|
| LDAx RAM | 16KB | 64 bits             | 2048                         |
| CDAx RAM | 16KB | 64 bits             | 2048                         |
| LPAx RAM | 32KB | 128 bits            | 2048                         |
| CPAx RAM | 32KB | 128 bits            | 2048                         |

**Note**

The reason the timings are the same in [Table 6-10](#) is because for 128-bit wide memory 16 bytes are initialized every cycle, whereas for 64-bit wide memory 8 bytes are initialized every cycle.

### 6.16.6 Debug/JTAG

External debugger connects to the device via the serial Debug Sub System which supports the two modes below:

1. 4-wire mode: JTAG Protocol
2. 2-wire mode: Serial Wire Debug (SWD) Protocol

The JTAG (IEEE Standard 1149.1-1990 Standard Test Access Port and Boundary Scan Architecture) port has four dedicated pins: TMS, TDI, TDO, and TCK. The SWD (IEEE Standard 1149.7-2009 for Reduced-Pin and Enhanced-Functionality Test Access Port and Boundary-Scan Architecture) port is a compact JTAG interface requiring only two pins (TMS and TCK), which allows other device functionality to be muxed to the traditional GPIO222 (TDI) and GPIO223 (TDO) pins.

Typically, no buffers are needed on the JTAG signals when the distance between the MCU target and the JTAG header is smaller than 6 inches (15.24 cm), and no other devices are present on the JTAG chain. Otherwise, each signal should be buffered. Additionally, for most JTAG debug probe operations at 10 MHz, no series resistors are needed on the JTAG signals. However, if high emulation speeds are expected (35 MHz or so), 22- $\Omega$  resistors should be placed in series on each JTAG signal.

The PD (Power Detect) pin of the JTAG debug probe header should be connected to the board's 3.3-V supply. Header GND pins should be connected to board ground. TDIS (Cable Disconnect Sense) should also be connected to board ground. The JTAG clock should be looped from the header TCK output pin back to the RTCK input pin of the header (to sense clock continuity by the JTAG debug probe). This MCU does not support the EMU0 and EMU1 signals that are present on 14-pin and 20-pin emulation headers. These signals should always be pulled up at the emulation header through a pair of board pullup resistors ranging from 2.2 k $\Omega$  to 4.7 k $\Omega$  (depending on the drive strength of the debugger ports). Typically, a 2.2-k $\Omega$  value is used.

Header pin  $\overline{\text{RESET}}$  is an open-drain output from the JTAG debug probe header that enables board components to be reset through JTAG debug probe commands (available only through the 20-pin header). [Figure 6-16](#) shows how the 14-pin JTAG header connects to the MCU's JTAG port signals. [Figure 6-17](#) shows how to connect to the 20-pin JTAG header. The 20-pin JTAG header pins EMU2, EMU3, and EMU4 are not used and should be grounded.

For more information about hardware breakpoints and watchpoints, see [Hardware Breakpoints and Watchpoints in CCS for C2000 devices](#).

For more information about JTAG emulation, see the [XDS Target Connection Guide](#).

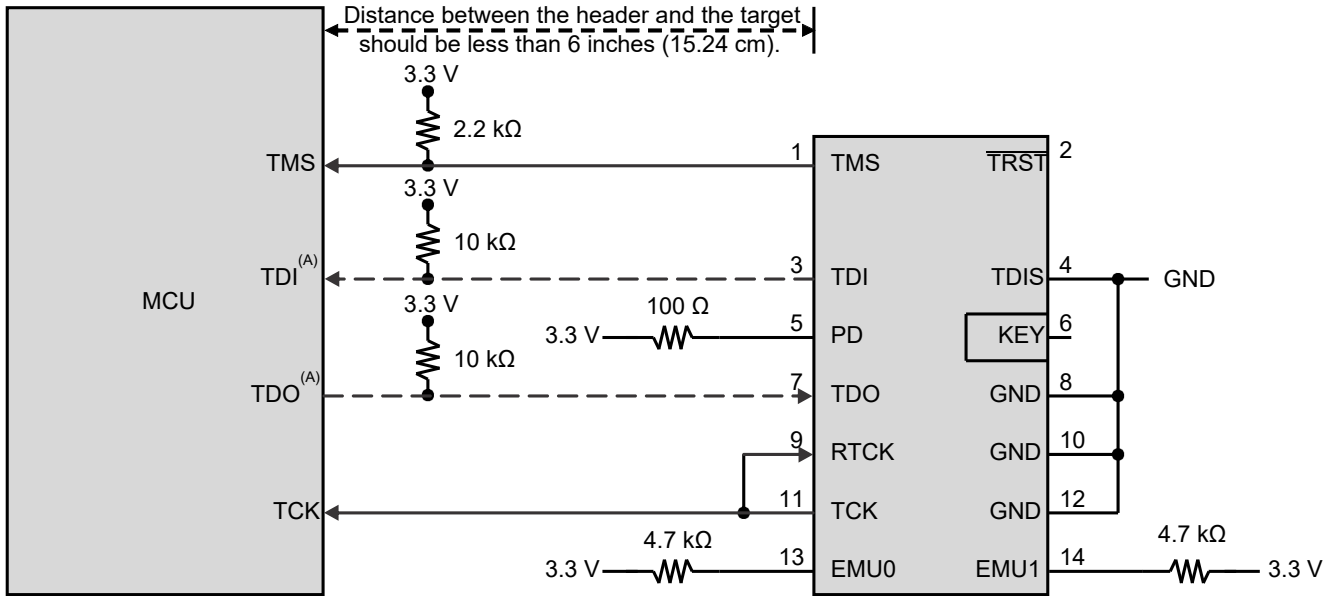
---

#### Note

JTAG Test Data Input (TDI) is the default mux selection for the pin. The internal pullup is disabled by default. If this pin is used as JTAG TDI, the internal pullup should be enabled or an external pullup added on the board to avoid a floating input. In the SWD option, this pin can be used as GPIO.

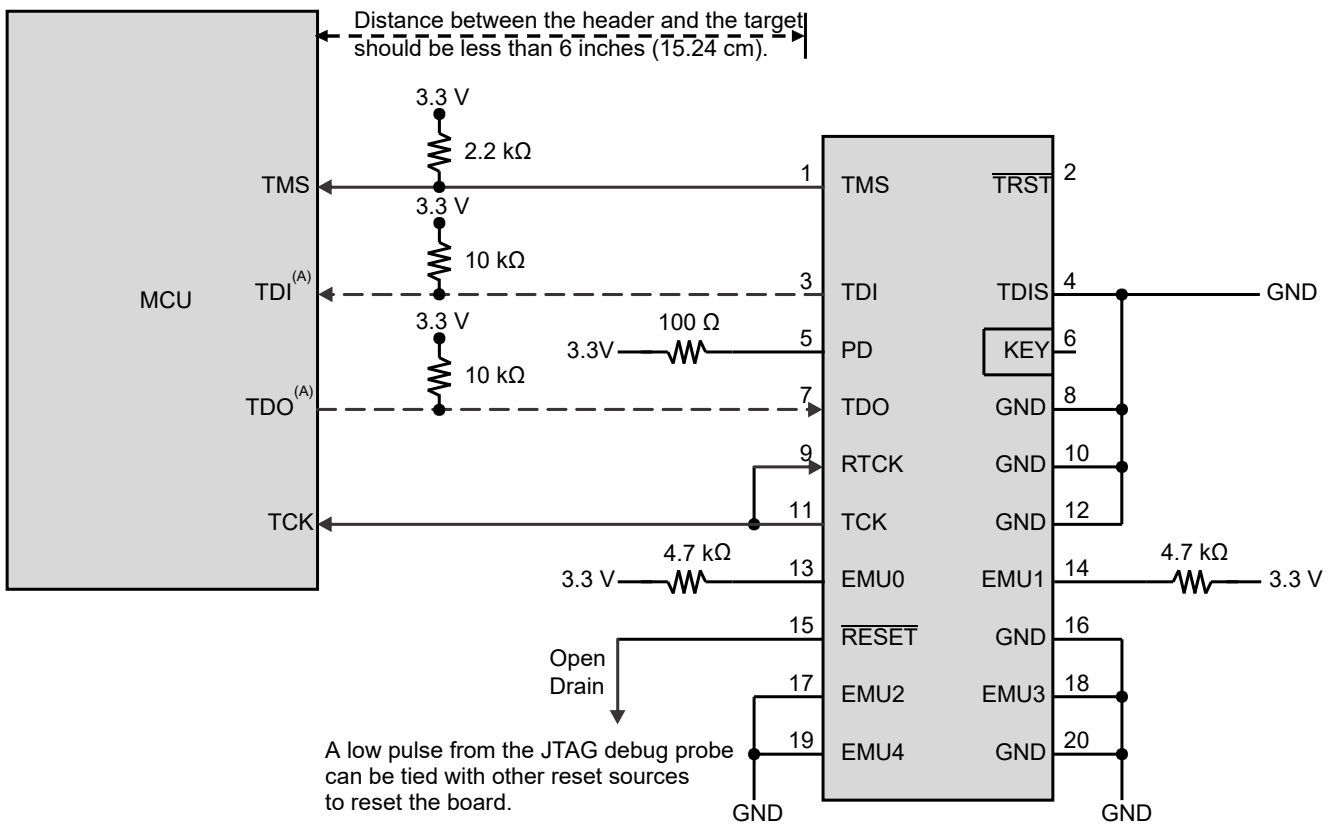
JTAG Test Data Output (TDO) is the default mux selection for the pin. The internal pullup is disabled by default. The TDO function will be in a tri-state condition when there is no JTAG activity, leaving this pin floating. The internal pullup should be enabled or an external pullup added on the board to avoid a floating GPIO input. In the 2-wire option, this pin can be used as GPIO.

---



A. TDI and TDO connections are not required for SWD option and these pins can be used as GPIOs instead.

**Figure 6-16. Connecting to the 14-Pin JTAG Header**



A. TDI and TDO connections are not required for SWD option and these pins can be used as GPIOs instead.

**Figure 6-17. Connecting to the 20-Pin JTAG Header**

**6.16.6.1 JTAG Electrical Data and Timing**

**6.16.6.1.1 DEBUGSS Timing Requirements**

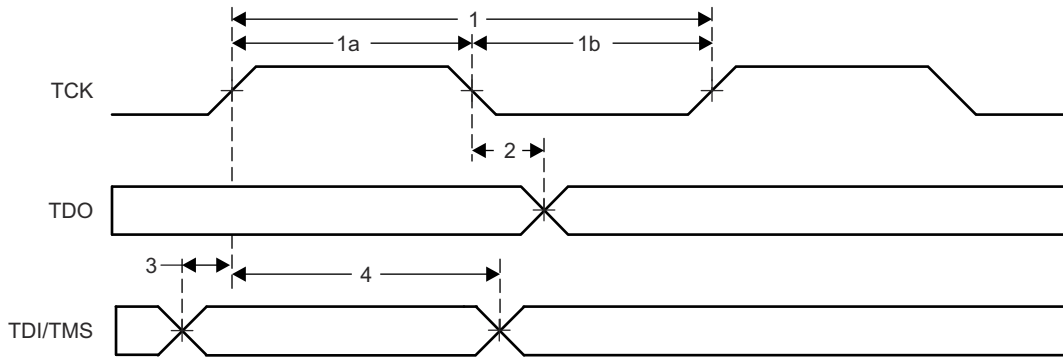
| NO. |                    |                                          | MIN  | MAX | UNIT |
|-----|--------------------|------------------------------------------|------|-----|------|
| 1   | $t_c(TCK)$         | Cycle time, TCK                          | 28.5 |     | ns   |
| 1a  | $t_w(TCKH)$        | Pulse duration, TCK high (40% of $t_c$ ) | 11   |     | ns   |
| 1b  | $t_w(TCKL)$        | Pulse duration, TCK low (40% of $t_c$ )  | 11   |     | ns   |
| 3   | $t_{su}(TDI-TCKH)$ | Input setup time, TDI valid to TCK high  | -1.5 |     | ns   |
| 3   | $t_{su}(TMS-TCKH)$ | Input setup time, TMS valid to TCK high  | -1.4 |     | ns   |
| 4   | $t_h(TCKH-TDI)$    | Input hold time, TDI valid from TCK high | 7    |     | ns   |
| 4   | $t_h(TCKH-TMS)$    | Input hold time, TMS valid from TCK high | 7    |     | ns   |
| 5   | $t_{su}(TMS-TCKH)$ | Input setup time, TMS valid to TCK high  | -1.4 |     | ns   |
| 5   | $t_{su}(TMS-TCKL)$ | Input setup time, TMS valid to TCK low   | -1.4 |     | ns   |
| 6   | $t_h(TCKH-TMS)$    | Input hold time, TMS valid from TCK high | 7    |     | ns   |
| 6   | $t_h(TCKL-TMS)$    | Input hold time, TMS valid from TCK low  | 7    |     | ns   |

**6.16.6.1.2 DEBUGSS Switching Characteristics**

over recommended operating conditions (unless otherwise noted)

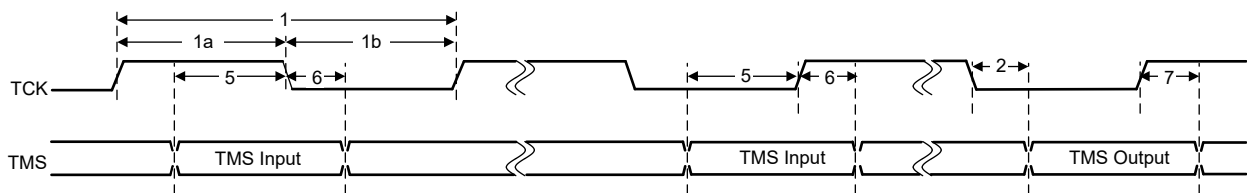
| NO. | PARAMETER       | MIN | MAX  | UNIT |
|-----|-----------------|-----|------|------|
| 2   | $t_d(TCKL-TDO)$ |     | 15.7 | ns   |
| 2   | $t_d(TCKL-TMS)$ |     | 15   | ns   |
| 7   | $t_d(TCKL-TMS)$ |     | 15   | ns   |

**6.16.6.1.3 JTAG Timing Diagram**



**Figure 6-18. JTAG Timing**

**6.16.6.1.4 SWD Timing Diagram**



**Figure 6-19. SWD Timing**

## 6.16.7 GPIO Electrical Data and Timing

The peripheral signals are multiplexed with general-purpose input/output (GPIO) signals. On reset, GPIO pins are configured as inputs. For specific inputs, the user can also select the number of input qualification cycles to filter unwanted noise glitches.

Many GPIOs have mux options for Output X-BAR which allows an assortment of internal signals to be routed to a GPIO. All of the GPIOs are connected to each Input X-BAR which can route the GPIO's high or low state to different IP blocks, such as the ADCs, eCAPs, ePWMs, and external interrupts. For more details, see the X-BAR chapter in the *F29H85x and F29P58x Real-Time Microcontrollers Technical Reference Manual*.

### 6.16.7.1 GPIO – Output Timing

#### 6.16.7.1.1 General-Purpose Output Switching Characteristics

over recommended operating conditions (unless otherwise noted)

| PARAMETER    |                                       |           | MIN | MAX              | UNIT |
|--------------|---------------------------------------|-----------|-----|------------------|------|
| $t_{r(GPO)}$ | Rise time, GPIO switching low to high | All GPIOs |     | 8 <sup>(1)</sup> | ns   |
| $t_{f(GPO)}$ | Fall time, GPIO switching high to low | All GPIOs |     | 8 <sup>(1)</sup> | ns   |
| $t_{GPO}$    | Toggling frequency, GPIO pins         |           |     | 50               | MHz  |

(1) Rise time and fall time vary with load. These values assume a 40-pF load.

#### 6.16.7.1.2 General-Purpose Output Timing Diagram

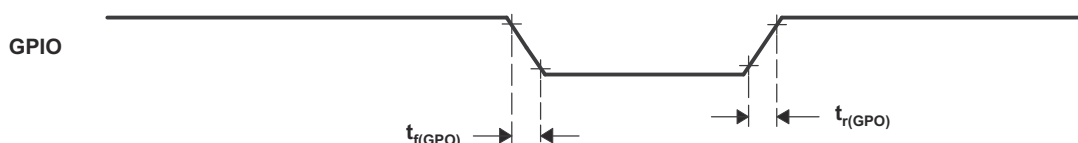


Figure 6-20. General-Purpose Output Timing

### 6.16.7.2 GPIO – Input Timing

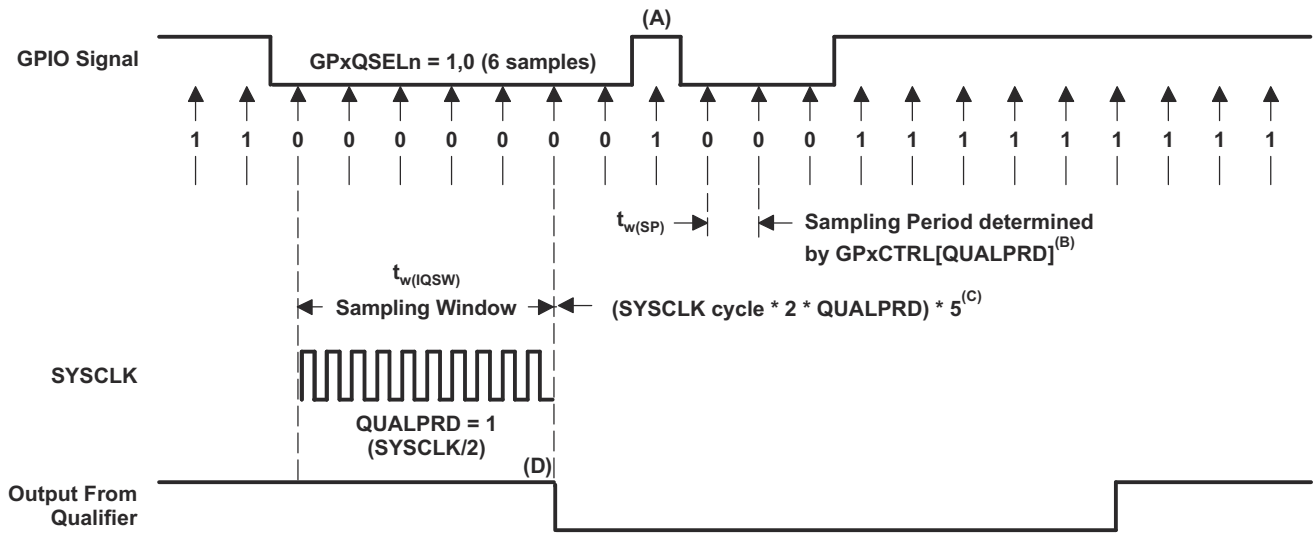
#### 6.16.7.2.1 General-Purpose Input Timing Requirements

|                             |                                 |                      | MIN                                         | MAX | UNIT   |
|-----------------------------|---------------------------------|----------------------|---------------------------------------------|-----|--------|
| $t_{w(SP)}$                 | Sampling period                 | QUALPRD = 0          | $1t_{c(SYSCCLK)}$                           |     | cycles |
|                             |                                 | QUALPRD $\neq$ 0     | $2t_{c(SYSCCLK)} * QUALPRD$                 |     | cycles |
| $t_{w(IQSW)}$               | Input qualifier sampling window |                      | $t_{w(SP)} * (n^{(1)} - 1)$                 |     | cycles |
| $t_{w(GPI)}$ <sup>(2)</sup> | Pulse duration, GPIO low/high   | Synchronous mode     | $2t_{c(SYSCCLK)}$                           |     | cycles |
|                             |                                 | With input qualifier | $t_{w(IQSW)} + t_{w(SP)} + 1t_{c(SYSCCLK)}$ |     | cycles |

(1) "n" represents the number of qualification samples as defined by GPxQSELn register.

(2) For  $t_{w(GPI)}$ , pulse width is measured from  $V_{IL}$  to  $V_{IL}$  for an active low signal and  $V_{IH}$  to  $V_{IH}$  for an active high signal.

#### 6.16.7.2.2 Sampling Mode



- This glitch will be ignored by the input qualifier. The QUALPRD bit field specifies the qualification sampling period. It can vary from 00 to 0xFF. If QUALPRD = 00, then the sampling period is 1 SYSCLK cycle. For any other value "n", the qualification sampling period is 2n SYSCLK cycles (that is, at every 2n SYSCLK cycles, the GPIO pin will be sampled).
- The qualification period selected through the GPxCTRL register applies to groups of eight GPIO pins.
- The qualification block can take either three or six samples. The GPxQSELn Register selects which sample mode is used.
- In the example shown, for the qualifier to detect the change, the input should be stable for 10 SYSCLK cycles or greater. In other words, the inputs should be stable for  $(5 \times QUALPRD \times 2)$  SYSCLK cycles. This would ensure 5 sampling periods for detection to occur. Because external signals are driven asynchronously, an 13-SYSCLK-wide pulse ensures reliable recognition.

**Figure 6-21. Sampling Mode**

### 6.16.7.3 Sampling Window Width for Input Signals

The following section summarizes the sampling window width for input signals for various input qualifier configurations.

Sampling frequency denotes how often a signal is sampled with respect to SYSCLK.

Sampling frequency =  $\text{SYSCLK} / (2 \times \text{QUALPRD})$ , if  $\text{QUALPRD} \neq 0$

Sampling frequency =  $\text{SYSCLK}$ , if  $\text{QUALPRD} = 0$

Sampling period =  $\text{SYSCLK cycle} \times 2 \times \text{QUALPRD}$ , if  $\text{QUALPRD} \neq 0$

In the previous equations, SYSCLK cycle indicates the time period of SYSCLK.

Sampling period =  $\text{SYSCLK cycle}$ , if  $\text{QUALPRD} = 0$

In a given sampling window, either 3 or 6 samples of the input signal are taken to determine the validity of the signal. This is determined by the value written to GPxQSELn register.

#### Case 1:

Qualification using 3 samples

Sampling window width =  $(\text{SYSCLK cycle} \times 2 \times \text{QUALPRD}) \times 2$ , if  $\text{QUALPRD} \neq 0$

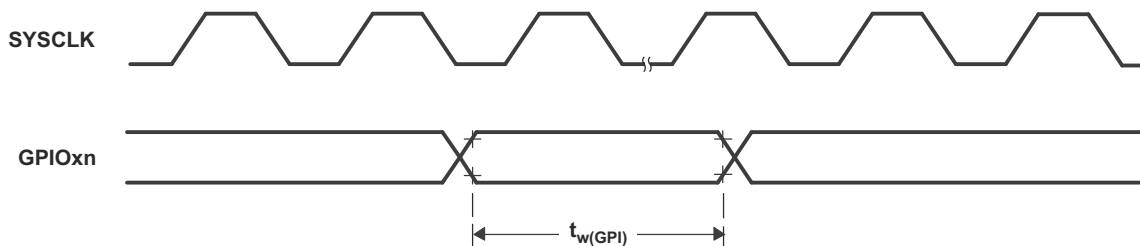
Sampling window width =  $(\text{SYSCLK cycle}) \times 2$ , if  $\text{QUALPRD} = 0$

#### Case 2:

Qualification using 6 samples

Sampling window width =  $(\text{SYSCLK cycle} \times 2 \times \text{QUALPRD}) \times 5$ , if  $\text{QUALPRD} \neq 0$

Sampling window width =  $(\text{SYSCLK cycle}) \times 5$ , if  $\text{QUALPRD} = 0$



**Figure 6-22. General-Purpose Input Timing**

## **6.16.8 Real-Time Direct Memory Access (RTDMA)**

### **6.16.8.1 Introduction**

The strength of a controller is not measured purely in processor speed, but in total system capabilities. As a part of the equation, any time the CPU bandwidth for a given function can be reduced, the greater the system capabilities. Many times applications spend a significant amount of their bandwidth moving data, whether moving data from off-chip memory to on-chip memory, from a peripheral such as an analog-to-digital converter (ADC) to RAM, or from one peripheral to another. Furthermore, many times this data comes in a format that is not conducive to the optimal processing powers of the CPU. The RTDMA module described in this chapter has the ability to free up CPU bandwidth and rearrange the data into a pattern for more streamlined processing in real time.

The RTDMA module is an event-based machine, meaning the RTDMA module requires a peripheral, channel, or software trigger to start a RTDMA transfer. The RTDMA module can be made into a periodic time-driven machine by configuring a timer as the RTDMA trigger source as well as utilizing the channels within the module itself to start memory transfers periodically. The RTDMA module has ten independent RTDMA channels that can be configured separately, and each channel contains their own independent Interrupt Controller interrupt to let the CPU know when a RTDMA transfer has either started or completed. All ten channels can be configured at one of four priority levels with one selected channel at a higher priority than the others. At the heart of the RTDMA is a state machine and tightly coupled address control logic. This address control logic allows for rearrangement of the block of data during the transfer as well as the process of ping-ponging data between buffers. Each of these features is discussed in detail in this chapter.

#### **6.16.8.1.1 Features**

RTDMA features include:

- 10 RTDMA channels with software configurable priority levels and independent Interrupt Controller interrupts
- Up to 256 hardware trigger sources to initiate RTDMA transfers
- Internal trigger generation for data transfers and trigger sources for channels
- Independent Read and Write buses
- Word Size: 8-bit, 16-bit, 32-bit, and 64-bit transfers
- Throughput: 1 cycle/word after the initial read-write access with 0 cycle read/write stall
- FIFO implemented within hardware to optimize data transfers
- Linear and circular addressing modes
- Support for multiple data transformation functions as data is transferred from source to destination
  - Ability to reverse words, half words, and so on.
- Burst Mode Support (for transfers with EMIF)
- Access protection through the Memory Protection Unit (MPU)

6.16.8.1.2 Block Diagram

Figure 6-23 shows the block diagram of the RTDMA.

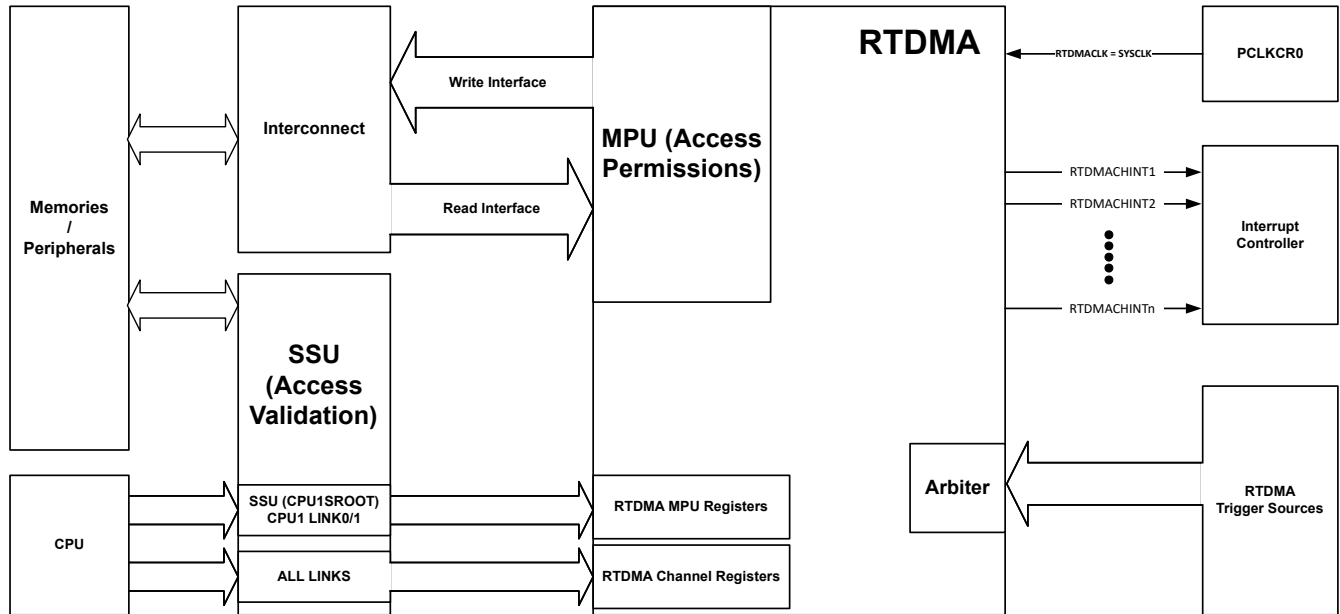


Figure 6-23. RTDMA Block Diagram

### 6.16.9 Low-Power Modes

This device has IDLE and STANDBY as clock-gating low-power modes. Wake-up from STANDBY low-power mode can also be triggered by CMPSS trip outputs.

#### 6.16.9.1 Clock-Gating Low-Power Modes

**Table 6-11. Clock-Gating Low-Power Modes**

| MODULES/CLOCK DOMAIN                              | CPU1   |                              | CPU2   |                              | CPU3   |                              |
|---------------------------------------------------|--------|------------------------------|--------|------------------------------|--------|------------------------------|
|                                                   | IDLE   | STANDBY                      | IDLE   | STANDBY                      | IDLE   | STANDBY                      |
| CPU1.CLOCK                                        | Active | Gated                        | N/A    | N/A                          | N/A    | N/A                          |
| CPU2.CLOCK                                        | N/A    | N/A                          | Active | Gated                        | N/A    | N/A                          |
| CPU3.CLOCK                                        | N/A    | N/A                          | N/A    | N/A                          | Active | Gated                        |
| Clock to modules Connected to PERx.SYSCLK         | Active | Controlled by PERxSYSCON FIG | Active | Controlled by PERxSYSCON FIG | Active | Controlled by PERxSYSCON FIG |
| WD1CLK                                            | Active | Active                       | Active | Active                       | Active | Active                       |
| WD2CLK                                            | Active | Active                       | Active | Active                       | Active | Active                       |
| WD3CLK                                            | Active | Active                       | Active | Active                       | Active | Active                       |
| HSM.SYSCLK                                        | Active | Active                       | Active | Active                       | Active | Active                       |
| M0 RAM Clock                                      | Active | Active                       | Active | Active                       | Active | Active                       |
| Ecat_PHYCLK, Ecat_CLK25, Ecat_CLK100, MCANxBITCLK | Active | Active                       | Active | Active                       | Active | Active                       |

#### 6.16.9.2 Low-Power Mode Wake-up Timing

For an explanation of the input qualifier parameters, see the *General-Purpose Input Timing Requirements* table.

##### 6.16.9.2.1 IDLE Mode Timing Requirements

|               |                                         |                         | MIN                            | MAX | UNIT   |
|---------------|-----------------------------------------|-------------------------|--------------------------------|-----|--------|
| $t_{w(WAKE)}$ | Pulse duration, external wake-up signal | Without input qualifier | $2t_{c(SYSCLK)}$               |     | cycles |
|               |                                         | With input qualifier    | $2t_{c(SYSCLK)} + t_{w(IQSW)}$ |     |        |

##### 6.16.9.2.2 IDLE Mode Switching Characteristics

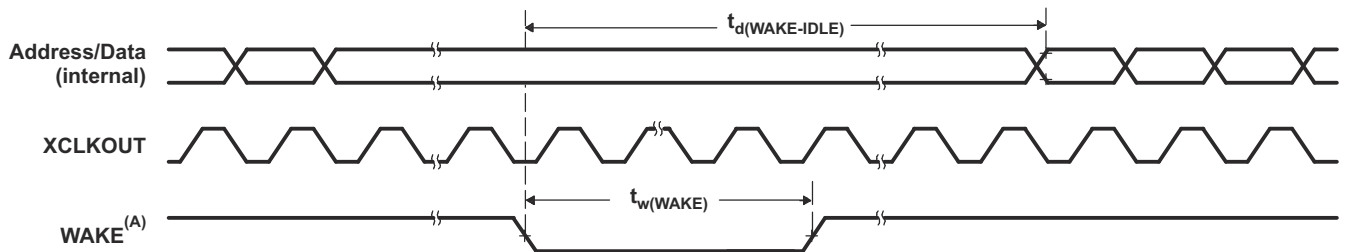
over recommended operating conditions (unless otherwise noted)

| PARAMETER          |                                                                             | TEST CONDITIONS           | MIN                     | MAX                                                | UNIT   |
|--------------------|-----------------------------------------------------------------------------|---------------------------|-------------------------|----------------------------------------------------|--------|
| $t_{d(WAKE-IDLE)}$ | Delay time, external wake signal to program execution resume <sup>(1)</sup> | From Flash (active state) | Without input qualifier | $40t_{c(SYSCLK)}$                                  | cycles |
|                    |                                                                             |                           | With input qualifier    | $40t_{c(SYSCLK)} + t_{w(WAKE)}$                    | cycles |
|                    |                                                                             | From Flash (sleep state)  | Without input qualifier | $6700t_{c(SYSCLK)}$ <sup>(2)</sup>                 | cycles |
|                    |                                                                             |                           | With input qualifier    | $6700t_{c(SYSCLK)}$ <sup>(2)</sup> + $t_{w(WAKE)}$ | cycles |
|                    |                                                                             | From RAM                  | Without input qualifier | $25t_{c(SYSCLK)}$                                  | cycles |
|                    |                                                                             |                           | With input qualifier    | $25t_{c(SYSCLK)} + t_{w(WAKE)}$                    | cycles |

(1) This is the time taken to begin execution of the instruction that immediately follows the IDLE instruction. Execution of an ISR (triggered by the wake-up signal) involves additional latency.

(2) This value is based on the flash power-up time, which is a function of the SYSCLK frequency, flash wait states (RWAIT), and FPAC1[PSLEEP].

**6.16.9.2.3 IDLE Entry and Exit Timing Diagram**



- A. WAKE can be any enabled interrupt,  $\overline{WDINT}$  or XRSn. After the IDLE instruction is executed, a delay of five OSCCLK cycles (minimum) is needed before the wake-up signal could be asserted.

**Figure 6-24. IDLE Entry and Exit Timing Diagram**

**6.16.9.2.4 STANDBY Mode Timing Requirements**

|                   |                                         |                                                               | MIN                               | MAX | UNIT   |
|-------------------|-----------------------------------------|---------------------------------------------------------------|-----------------------------------|-----|--------|
| $t_{w(WAKE-INT)}$ | Pulse duration, external wake-up signal | QUALSTDBY = 0   $2t_{c(OSCCLK)}$                              | $3t_{c(OSCCLK)}$                  |     | cycles |
|                   |                                         | QUALSTDBY > 0   $(2 + QUALSTDBY)t_{c(OSCCLK)}$ <sup>(1)</sup> | $(2 + QUALSTDBY) * t_{c(OSCCLK)}$ |     |        |

(1) QUALSTDBY is a 6-bit field in the LPMCR register.

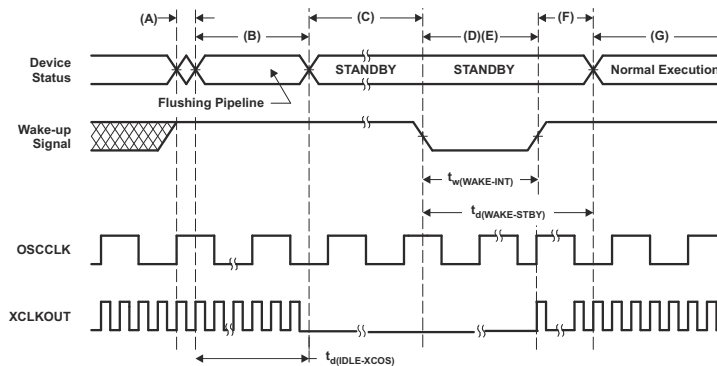
**6.16.9.2.5 STANDBY Mode Switching Characteristics**

over recommended operating conditions (unless otherwise noted)

| PARAMETER          | TEST CONDITIONS                                                             | MIN                                                | MAX                                                     | UNIT   |
|--------------------|-----------------------------------------------------------------------------|----------------------------------------------------|---------------------------------------------------------|--------|
| $t_{d(IDLE-XCOS)}$ | Delay time, IDLE instruction executed to XCLKOUT stop                       |                                                    | $16t_{c(INTOSC1)}$                                      | cycles |
| $t_{d(WAKE-STBY)}$ | Delay time, external wake signal to program execution resume <sup>(1)</sup> | Wakeup from flash (Flash module in active state)   | $175t_{c(SYSCCLK)} + t_{w(WAKE-INT)}$                   | cycles |
| $t_{d(WAKE-STBY)}$ |                                                                             | Wakeup from flash (Flash module in sleep state)    | $6700t_{c(SYSCCLK)}$ <sup>(2)</sup> + $t_{w(WAKE-INT)}$ | cycles |
| $t_{d(WAKE-STBY)}$ | Wakeup from RAM                                                             | $3t_{c(OSC)} + 15t_{c(SYSCCLK)} + t_{w(WAKE-INT)}$ |                                                         | cycles |

- (1) This is the time taken to begin execution of the instruction that immediately follows the IDLE instruction. Execution of an ISR (triggered by the wake-up signal) involves additional latency.
- (2) This value is based on the flash power-up time, which is a function of the SYSCCLK frequency, flash wait states (RWAIT), and FPAC1[PSLEEP].

**6.16.9.2.6 STANDBY Entry and Exit Timing Diagram**



- A. IDLE instruction is executed to put the device into STANDBY mode.
- B. The LPM block responds to the STANDBY signal, SYSCCLK is held for a maximum 16 INTOSC1 clock cycles before being turned off. This delay enables the CPU pipeline and any other pending operations to flush properly.
- C. Clock to the peripherals are turned off. However, the PLL and watchdog are not shut down. The device is now in STANDBY mode. After the IDLE instruction is executed, a delay of five OSCCLK cycles (minimum) is needed before the wake-up signal could be asserted.
- D. The external wake-up signal is driven active.
- E. The wake-up signal fed to a GPIO pin to wake up the device must meet the minimum pulse width requirement. Furthermore, this signal must be free of glitches. If a noisy signal is fed to a GPIO pin, the wake-up behavior of the device will not be deterministic and the device may not exit low-power mode for subsequent wake-up pulses.
- F. After a latency period, the STANDBY mode is exited.
- G. Normal execution resumes. The device will respond to the interrupt (if enabled).

**Figure 6-25. STANDBY Entry and Exit Timing Diagram**

### 6.16.10 External Memory Interface (EMIF)

The EMIF provides a means of connecting the CPU to various external storage devices like asynchronous memories (SRAM, NOR flash) or synchronous memory (SDRAM).

#### 6.16.10.1 Asynchronous Memory Support

The EMIF supports asynchronous memories:

- SRAMs
- NOR Flash memories

There is an external wait input that allows slower asynchronous memories to extend the memory access. The EMIF module supports up to three chip selects (  $\overline{\text{EMIF\_CS}}[4:2]$ ). Each chip select has the following individually programmable attributes:

- Data bus width
- Read cycle timings: setup, hold, strobe
- Write cycle timings: setup, hold, strobe
- Bus turnaround time
- Extended wait option with programmable time-out
- Select strobe option

#### 6.16.10.2 Synchronous DRAM Support

The EMIF memory controller is compliant with the JESD21-C SDR SDRAMs that use a 32-bit or 16-bit data bus. The EMIF has a single SDRAM chip select (  $\overline{\text{EMIF\_CS}}[0]$ ).

The address space of the EMIF, for the synchronous memory (SDRAM), lies beyond the 22-bit range of the program address bus and can only be accessed through the data bus, which places a restriction on the C compiler being able to work effectively on data in this space. Therefore, when using SDRAM, the user is advised to copy data (using the DMA) from external memory to RAM before working on it. See the examples in [C2000Ware for C2000 MCUs](#) and the [F29H85x and F29P58x Real-Time Microcontrollers Technical Reference Manual](#).

SDRAM configurations supported are:

- One-bank, two-bank, and four-bank SDRAM devices
- Devices with 8-, 9-, 10-, and 11-column addresses
- CAS latency of two or three clock cycles
- 16-bit/32-bit data bus width
- 3.3-V LVCMOS interface

Additionally, the EMIF supports placing the SDRAM in self-refresh and power-down modes. Self-refresh mode allows the SDRAM to be put in a low-power state while still retaining memory contents because the SDRAM will continue to refresh itself even without clocks from the microcontroller. Power-down mode achieves even lower power, except the microcontroller must periodically wake up and issue refreshes if data retention is required. The EMIF module does not support mobile SDRAM devices.

On this device, the EMIF does not support burst access for SDRAM configurations. This means every access to an external SDRAM device will have CAS latency.

### 6.16.10.3 EMIF Electrical Data and Timing

#### 6.16.10.3.1 EMIF Synchronous Memory Timing Requirements

| NO. |                           |                                                                     | MIN | MAX | UNIT |
|-----|---------------------------|---------------------------------------------------------------------|-----|-----|------|
| 19  | $t_{su}(EMIFDV-EM\_CLKH)$ | Input setup time, read data valid on EMxD[y:0] before EMxCLK rising | 2   |     | ns   |
| 20  | $t_h(CLKH-DIV)$           | Input hold time, read data valid on EMxD[y:0] after EMxCLK rising   | 1.5 |     | ns   |

#### 6.16.10.3.2 EMIF Synchronous Memory Switching Characteristics

over recommended operating conditions (unless otherwise noted)

| NO. | PARAMETER            |                                                                     | MIN  | MAX | UNIT |
|-----|----------------------|---------------------------------------------------------------------|------|-----|------|
| 1   | $t_c(CLK)$           | Cycle time, EMIF clock EMxCLK                                       | 10   |     | ns   |
| 1   | $t_c(CLK)$           | Cycle time, EMIF clock EMxCLK (With 210MHz Timing Closure)          | 9.52 |     | ns   |
| 2   | $t_w(CLK)$           | Pulse width, EMIF clock EMxCLK high or low                          | 3    |     | ns   |
| 3   | $t_d(CLKH-CSV)$      | Delay time, EMxCLK rising to EMxCS[y:2] valid                       |      | 8   | ns   |
| 4   | $t_{oh}(CLKH-CSIV)$  | Output hold time, EMxCLK rising to $\overline{EMxCS}[y:2]$ invalid  | 1    |     | ns   |
| 5   | $t_d(CLKH-DQMV)$     | Delay time, EMxCLK rising to EMxDQM[y:0] valid                      |      | 8   | ns   |
| 6   | $t_{oh}(CLKH-DQMIV)$ | Output hold time, EMxCLK rising to EMxDQM[y:0] invalid              | 1    |     | ns   |
| 7   | $t_d(CLKH-AV)$       | Delay time, EMxCLK rising to EMxA[y:0] and EMxBA[y:0] valid         |      | 8   | ns   |
| 8   | $t_{oh}(CLKH-AIV)$   | Output hold time, EMxCLK rising to EMxA[y:0] and EMxBA[y:0] invalid | 1    |     | ns   |
| 9   | $t_d(CLKH-DV)$       | Delay time, EMxCLK rising to EMxD[y:0] valid                        |      | 8   | ns   |
| 10  | $t_{oh}(CLKH-DIV)$   | Output hold time, EMxCLK rising to EMxD[y:0] invalid                | 1    |     | ns   |
| 11  | $t_d(CLKH-RASV)$     | Delay time, EMxCLK rising to EMxRAS valid                           |      | 8   | ns   |
| 12  | $t_{oh}(CLKH-RASIV)$ | Output hold time, EMxCLK rising to EMxRAS invalid                   | 1    |     | ns   |
| 13  | $t_d(CLKH-CASV)$     | Delay time, EMxCLK rising to EMxCAS valid                           |      | 8   | ns   |
| 14  | $t_{oh}(CLKH-CASIV)$ | Output hold time, EMxCLK rising to EMxCAS invalid                   | 1    |     | ns   |
| 15  | $t_d(CLKH-WEV)$      | Delay time, EMxCLK rising to EMxWE valid                            |      | 8   | ns   |
| 16  | $t_{oh}(CLKH-WEIV)$  | Output hold time, EMxCLK rising to $\overline{EMxWE}$ invalid       | 1    |     | ns   |
| 17  | $t_d(CLKH-DHZ)$      | Delay time, EMxCLK rising to EMxD[y:0] in tri-state condition       |      | 8   | ns   |
| 18  | $t_{oh}(CLKH-DLZ)$   | Output hold time, EMxCLK rising to EMxD[y:0] driving                | 1    |     | ns   |

### 6.16.10.3.3 EMIF Synchronous Memory Timing Diagrams

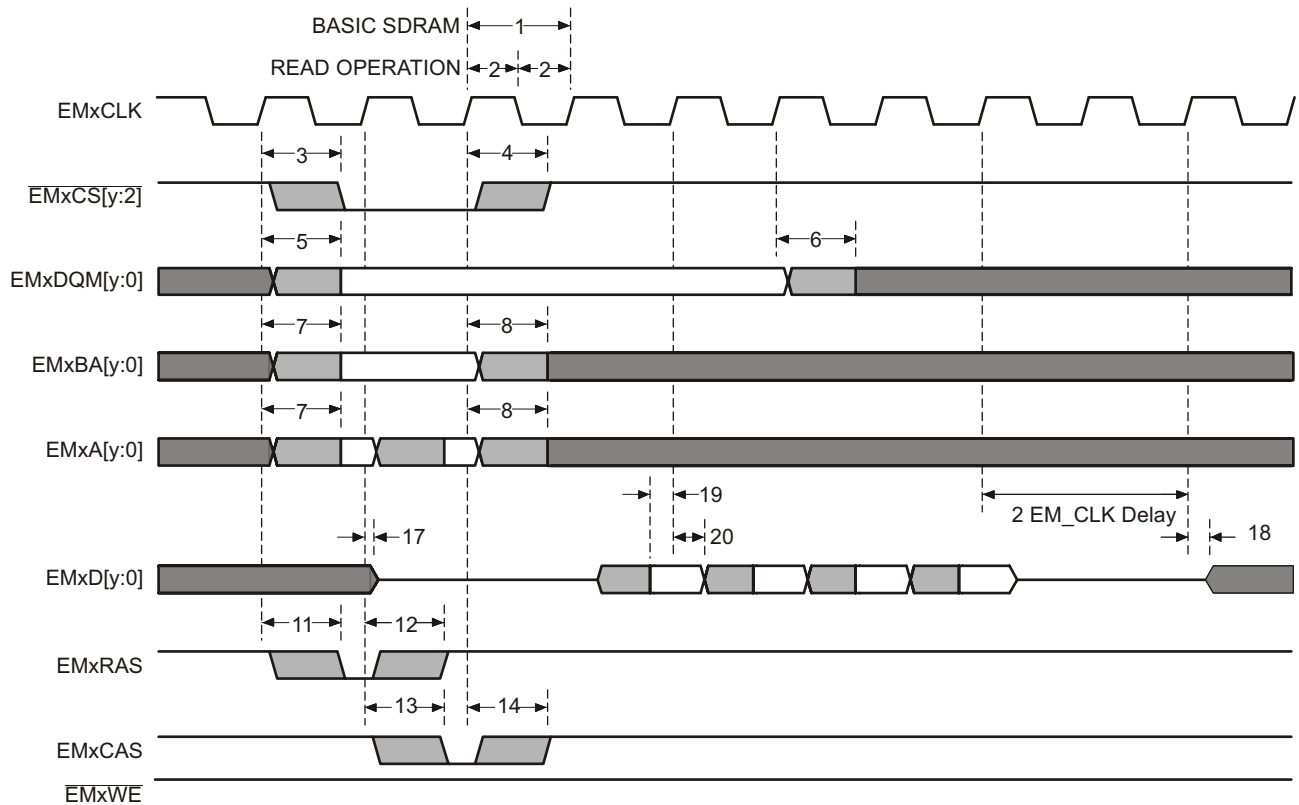
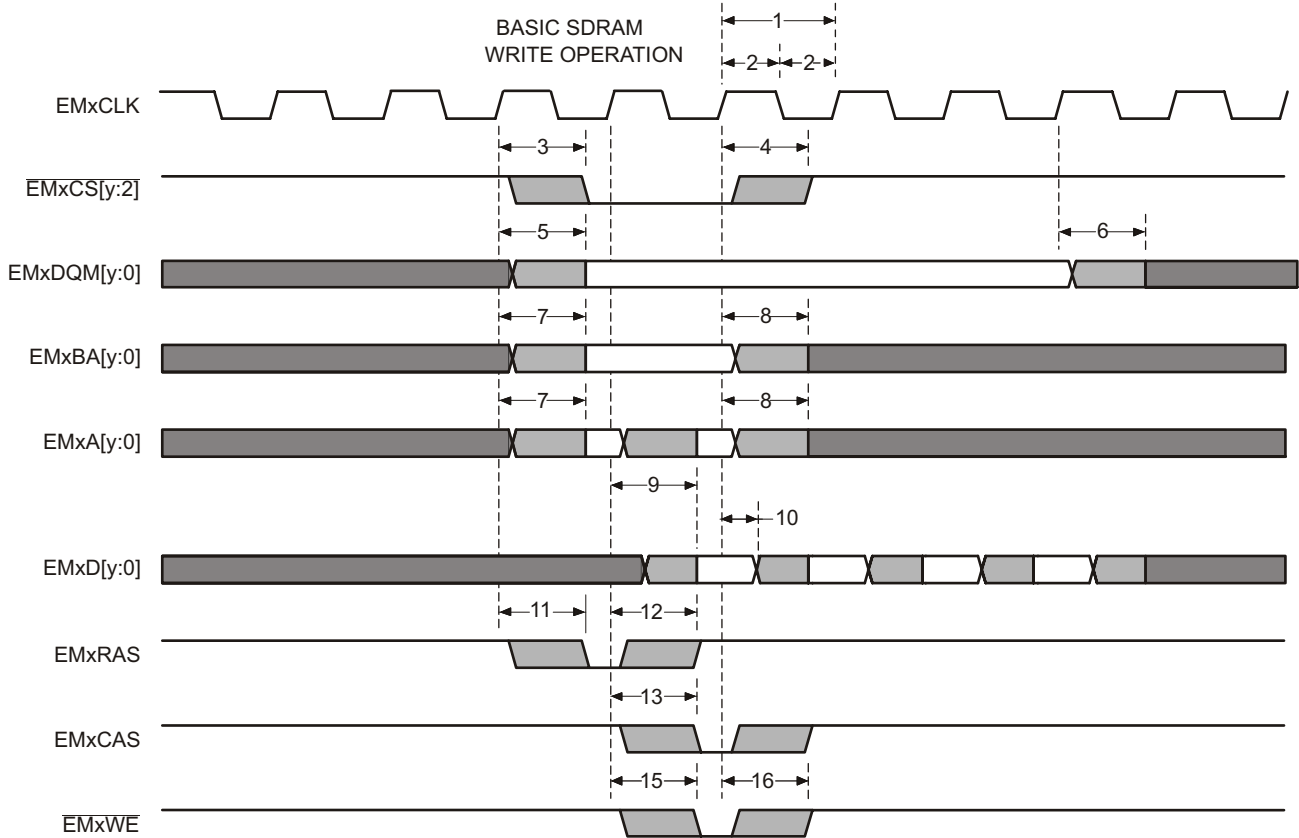


Figure 6-26. Basic SDRAM Read Operation



**Figure 6-27. Basic SDRAM Write Operation**

### 6.16.10.3.4 EMIF Asynchronous Memory Timing Requirements

| NO.                     |                        |                                                                        | MIN               | MAX | UNIT |
|-------------------------|------------------------|------------------------------------------------------------------------|-------------------|-----|------|
| <b>Reads and Writes</b> |                        |                                                                        |                   |     |      |
|                         | E                      | EMIF clock period                                                      | $t_{c(SYSCLOCK)}$ |     | ns   |
| 2                       | $t_{w(EM\_WAIT)}$      | Pulse duration, EMxWAIT assertion and deassertion                      | $2E^{(1)}$        |     | ns   |
| <b>Reads</b>            |                        |                                                                        |                   |     |      |
| 12                      | $t_{su(EMDV-EMOE H)}$  | Setup time, EMxD[y:0] valid before $\overline{EMxOE}$ high             | 15                |     | ns   |
| 13                      | $t_{h(EMOE H-EMDIV)}$  | Hold time, EMxD[y:0] valid after $\overline{EMxOE}$ high               | 0                 |     | ns   |
| 14                      | $t_{su(EMOEL-EMWAIT)}$ | Setup Time, EMxWAIT asserted before end of Strobe Phase <sup>(2)</sup> | $4E+20^{(1)}$     |     | ns   |
| <b>Writes</b>           |                        |                                                                        |                   |     |      |
| 28                      | $t_{su(EMWEL-EMWAIT)}$ | Setup Time, EMxWAIT asserted before end of Strobe Phase <sup>(2)</sup> | $4E+20^{(1)}$     |     | ns   |

- (1) E = EMxCLK period in ns.  
 (2) Setup before end of STROBE phase (if no extended wait states are inserted) by which EMxWAIT must be asserted to add extended wait states. The *EMxWAIT Read Timing Requirements* figure and the *EMxWAIT Write Timing Requirements* figure describe EMIF transactions that include extended wait states inserted during the STROBE phase. However, cycles inserted as part of this extended wait period should not be counted; the 4E requirement is to the start of where the HOLD phase would begin if there were no extended wait cycles.

### 6.16.10.3.5 EMIF Asynchronous Memory Switching Characteristics

over recommended operating conditions (unless otherwise noted)

| NO.           | PARAMETER <sup>(1) (2) (3)</sup> |                                                                                        | MIN                        | MAX                        | UNIT          |
|---------------|----------------------------------|----------------------------------------------------------------------------------------|----------------------------|----------------------------|---------------|
| 1             | $t_d(TURNAROUND)$                | Turn around time TA=0                                                                  | $(TA)*E-3$                 | $(TA)*E+2$                 | ns            |
| <b>Reads</b>  |                                  |                                                                                        |                            |                            |               |
| 3             | $t_c(EMRCYCLE)$                  | EMIF read cycle time (EW = 0)                                                          | $(RS+RST+RH)*E-3$          | $(RS+RST+RH)*E+2$          | ns            |
| 3             | $t_c(EMRCYCLE)$                  | EMIF read cycle time (EW = 1)                                                          | $(RS+RST+RH+(EWC*16))*E-3$ | $(RS+RST+RH+(EWC*16))*E+2$ | ns            |
| 4             | $t_{su}(EMCEL-EMOEL)$            | Output setup time, $\overline{EMxCS}[y:2]$ low to $\overline{EMxOE}$ low (SS = 0) RS=0 | $(RS)*E-3$                 | $(RS)*E+2$                 | ns            |
| 4             | $t_{su}(EMCEL-EMOEL)$            | Output setup time, $\overline{EMxCS}[y:2]$ low to $\overline{EMxOE}$ low (SS = 1)      | -3                         | 2                          | ns            |
| 5             | $t_h(EMOE H-EMCEH)$              | Output hold time, $\overline{EMxOE}$ high to $\overline{EMxCS}[y:2]$ high (SS = 0)     | $(RH)*E-3$                 | $(RH)*E$                   | ns            |
| 5             | $t_h(EMOE H-EMCEH)$              | Output hold time, $\overline{EMxOE}$ high to $\overline{EMxCS}[y:2]$ high (SS = 1)     | -3                         | 0                          | ns            |
| 6             | $t_{su}(EMBAV-EMOEL)$            | Output setup time, EMxBA[y:0] valid to $\overline{EMxOE}$ low                          | $(RS)*E-3$                 | $(RS)*E+2$                 | ns            |
| 7             | $t_h(EMOE H-EMBAIV)$             | Output hold time, $\overline{EMxOE}$ high to EMxBA[y:0] invalid                        | $(RH)*E-3$                 | $(RH)*E$                   | ns            |
| 8             | $t_{su}(EMAV-EMOEL)$             | Output setup time, EMxA[y:0] valid to $\overline{EMxOE}$ low                           | $(RS)*E-3$                 | $(RS)*E+2$                 | ns            |
| 9             | $t_h(EMOE H-EMAIV)$              | Output hold time, $\overline{EMxOE}$ high to EMxA[y:0] invalid                         | $(RH)*E-3$                 | $(RH)*E$                   | ns            |
| 10            | $t_w(EMOEL)$                     | $\overline{EMxOE}$ active low width (EW = 0)                                           | $(RST)*E-1$                | $(RST)*E+1$                | ns            |
| 10            | $t_w(EMOEL)$                     | $\overline{EMxOE}$ active low width (EW = 1)                                           | $(RST+(EWC*16))*E-1$       | $(RST+(EWC*16))*E+1$       | ns            |
| 11            | $t_d(EMWAITH-EMOE H)$            | Delay time from EMxWAIT deasserted to $\overline{EMxOE}$ high                          | $4*E+10$                   | $5*E+15$                   | ns            |
| 29            | $t_{su}(EMDQMV-EMOEL)$           | Output setup time, EMxDQM[y:0] valid to $\overline{EMxOE}$ low                         | $(RS)*E-3$                 | $(RS)*E+2$                 | ns            |
| 30            | $t_h(EMOE H-EMDQMIV)$            | Output hold time, $\overline{EMxOE}$ high to EMxDQM[y:0] invalid                       | $(RH)*E-3$                 | $(RH)*E$                   | ns            |
| <b>Writes</b> |                                  |                                                                                        |                            |                            |               |
| <b>Writes</b> |                                  |                                                                                        | <b>Writes</b>              | <b>Writes</b>              | <b>Writes</b> |

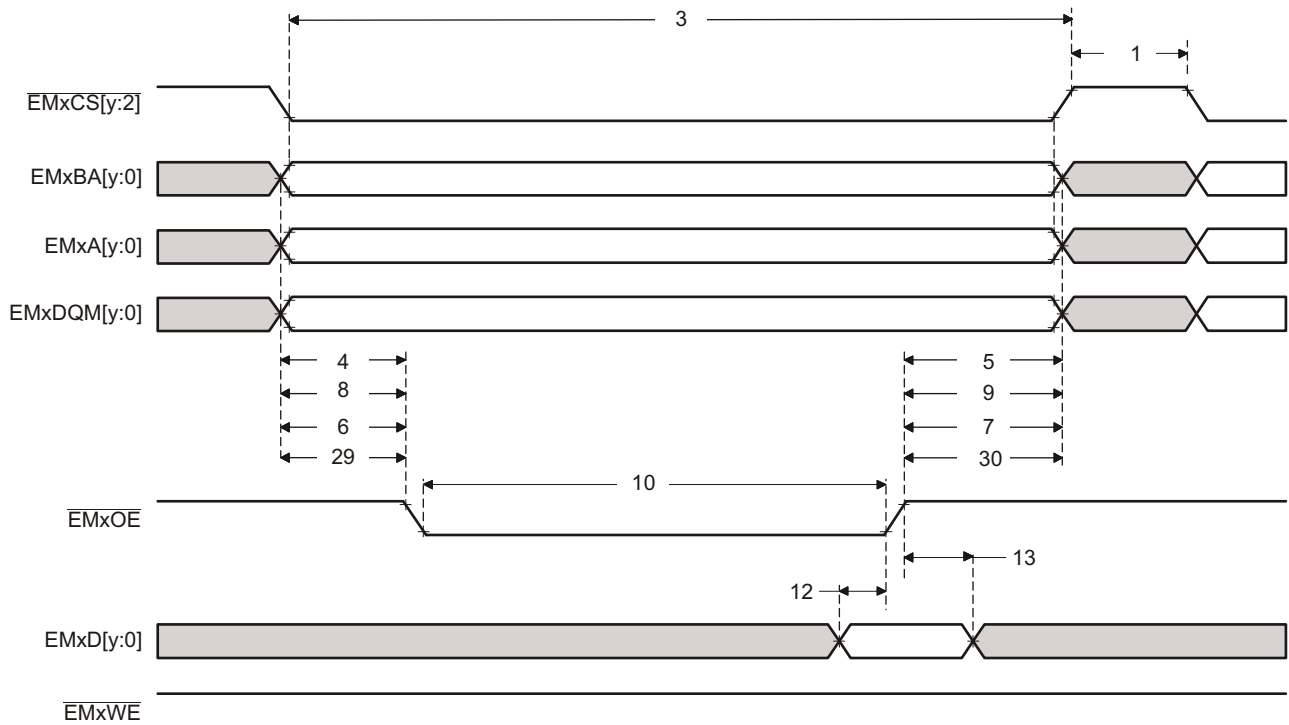
**6.16.10.3.5 EMIF Asynchronous Memory Switching Characteristics (continued)**

over recommended operating conditions (unless otherwise noted)

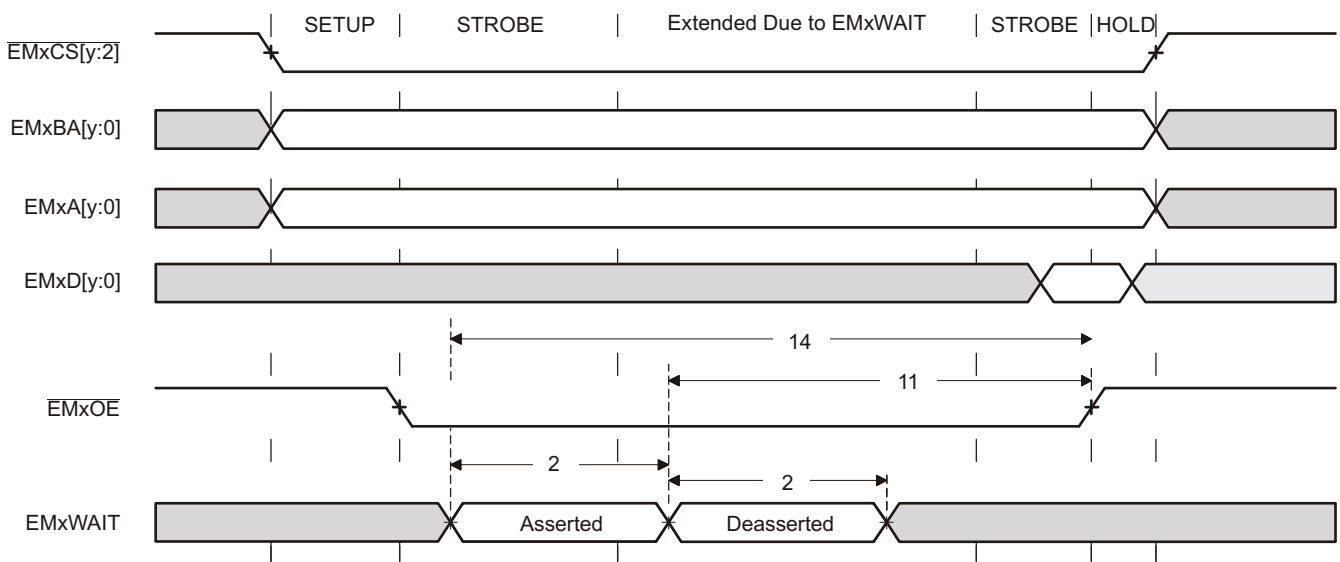
| NO. | PARAMETER <sup>(1)</sup> (2) (3)     |                                                                                                         | MIN                                                                    | MAX                                                                    | UNIT |
|-----|--------------------------------------|---------------------------------------------------------------------------------------------------------|------------------------------------------------------------------------|------------------------------------------------------------------------|------|
| 15  | $t_{\text{c}}(\text{EMWCYCLE})$      | EMIF write cycle time (EW = 0)                                                                          | $(\text{WS}+\text{WST}+\text{WH})\cdot\text{E}-3$                      | $(\text{WS}+\text{WST}+\text{WH})\cdot\text{E}+2$                      | ns   |
| 15  | $t_{\text{c}}(\text{EMWCYCLE})$      | EMIF write cycle time (EW = 1)                                                                          | $(\text{WS}+\text{WST}+\text{WH}+(\text{EWC}\cdot 16))\cdot\text{E}-3$ | $(\text{WS}+\text{WST}+\text{WH}+(\text{EWC}\cdot 16))\cdot\text{E}+2$ | ns   |
| 16  | $t_{\text{su}}(\text{EMCEL-EMWEL})$  | Output setup time, $\overline{\text{EMxCS}}[\text{y}:2]$ low to $\overline{\text{EMxWE}}$ low (SS = 0)  | $(\text{WS})\cdot\text{E}-3$                                           | $(\text{WS})\cdot\text{E}+2$                                           | ns   |
| 16  | $t_{\text{su}}(\text{EMCEL-EMWEL})$  | Output setup time, $\overline{\text{EMxCS}}[\text{y}:2]$ low to $\overline{\text{EMxWE}}$ low (SS = 1)  | -3                                                                     | 2                                                                      | ns   |
| 17  | $t_{\text{h}}(\text{EMWEH-EMCEH})$   | Output hold time, $\overline{\text{EMxWE}}$ high to $\overline{\text{EMxCS}}[\text{y}:2]$ high (SS = 0) | $(\text{WH})\cdot\text{E}-3$                                           | $(\text{WH})\cdot\text{E}$                                             | ns   |
| 17  | $t_{\text{h}}(\text{EMWEH-EMCEH})$   | Output hold time, $\overline{\text{EMxWE}}$ high to $\overline{\text{EMxCS}}[\text{y}:2]$ high (SS = 1) | -3                                                                     | 0                                                                      | ns   |
| 18  | $t_{\text{su}}(\text{EMDQMV-EMWEL})$ | Output setup time, $\overline{\text{EMxDQM}}[\text{y}:0]$ valid to $\overline{\text{EMxWE}}$ low        | $(\text{WS})\cdot\text{E}-3$                                           | $(\text{WS})\cdot\text{E}+2$                                           | ns   |
| 19  | $t_{\text{h}}(\text{EMWEH-EMDQMIV})$ | Output hold time, $\overline{\text{EMxWE}}$ high to $\overline{\text{EMxDQM}}[\text{y}:0]$ invalid      | $(\text{WH})\cdot\text{E}-3$                                           | $(\text{WH})\cdot\text{E}$                                             | ns   |
| 20  | $t_{\text{su}}(\text{EMBAV-EMWEL})$  | Output setup time, $\overline{\text{EMxBA}}[\text{y}:0]$ valid to $\overline{\text{EMxWE}}$ low         | $(\text{WS})\cdot\text{E}-3$                                           | $(\text{WS})\cdot\text{E}+2$                                           | ns   |
| 21  | $t_{\text{h}}(\text{EMWEH-EMBAIV})$  | Output hold time, $\overline{\text{EMxWE}}$ high to $\overline{\text{EMxBA}}[\text{y}:0]$ invalid       | $(\text{WH})\cdot\text{E}-3$                                           | $(\text{WH})\cdot\text{E}$                                             | ns   |
| 22  | $t_{\text{su}}(\text{EMAV-EMWEL})$   | Output setup time, $\overline{\text{EMxA}}[\text{y}:0]$ valid to $\overline{\text{EMxWE}}$ low          | $(\text{WS})\cdot\text{E}-3$                                           | $(\text{WS})\cdot\text{E}+2$                                           | ns   |
| 23  | $t_{\text{h}}(\text{EMWEH-EMAIIV})$  | Output hold time, $\overline{\text{EMxWE}}$ high to $\overline{\text{EMxA}}[\text{y}:0]$ invalid        | $(\text{WH})\cdot\text{E}-3$                                           | $(\text{WH})\cdot\text{E}$                                             | ns   |
| 24  | $t_{\text{w}}(\text{EMWEL})$         | $\overline{\text{EMxWE}}$ active low width (EW = 0)                                                     | $(\text{WST})\cdot\text{E}-1$                                          | $(\text{WST})\cdot\text{E}+1$                                          | ns   |
| 24  | $t_{\text{w}}(\text{EMWEL})$         | $\overline{\text{EMxWE}}$ active low width (EW = 1)                                                     | $(\text{WST}+(\text{EWC}\cdot 16))\cdot\text{E}-1$                     | $(\text{WST}+(\text{EWC}\cdot 16))\cdot\text{E}+1$                     | ns   |
| 25  | $t_{\text{d}}(\text{EMWAITH-EMWEH})$ | Delay time from $\overline{\text{EMxWAIT}}$ deasserted to $\overline{\text{EMxWE}}$ high                | $4\cdot\text{E}+10$                                                    | $5\cdot\text{E}+15$                                                    | ns   |
| 26  | $t_{\text{su}}(\text{EMDV-EMWEL})$   | Output setup time, $\overline{\text{EMxD}}[\text{y}:0]$ valid to $\overline{\text{EMxWE}}$ low          | $(\text{WS})\cdot\text{E}-3$                                           | $(\text{WS})\cdot\text{E}+2$                                           | ns   |
| 27  | $t_{\text{h}}(\text{EMWEH-EMDIV})$   | Output hold time, $\overline{\text{EMxWE}}$ high to $\overline{\text{EMxD}}[\text{y}:0]$ invalid        | $(\text{WH})\cdot\text{E}-3$                                           | $(\text{WH})\cdot\text{E}$                                             | ns   |

- (1) TA = Turn around, RS = Read setup, RST = Read strobe, RH = Read hold, WS = Write setup, WST = Write strobe, WH = Write hold, MEWC = Maximum external wait cycles. These parameters are programmed through the Asynchronous Bank and Asynchronous Wait Cycle Configuration Registers. These support the following ranges of values: TA[4–1], RS[16–1], RST[64–4], RH[8–1], WS[16–1], WST[64–1], WH[8–1], and MEWC[1–256]. See the *F29H85x and F29P58x Real-Time Microcontrollers Technical Reference Manual* for more information.
- (2) E = EMxCLK period in ns.
- (3) EWC = external wait cycles determined by EMxWAIT input signal. EWC supports the following range of values. EWC[256–1]. The maximum wait time before time-out is specified by bit field MEWC in the Asynchronous Wait Cycle Configuration Register. See the *F29H85x and F29P58x Real-Time Microcontrollers Technical Reference Manual* for more information.

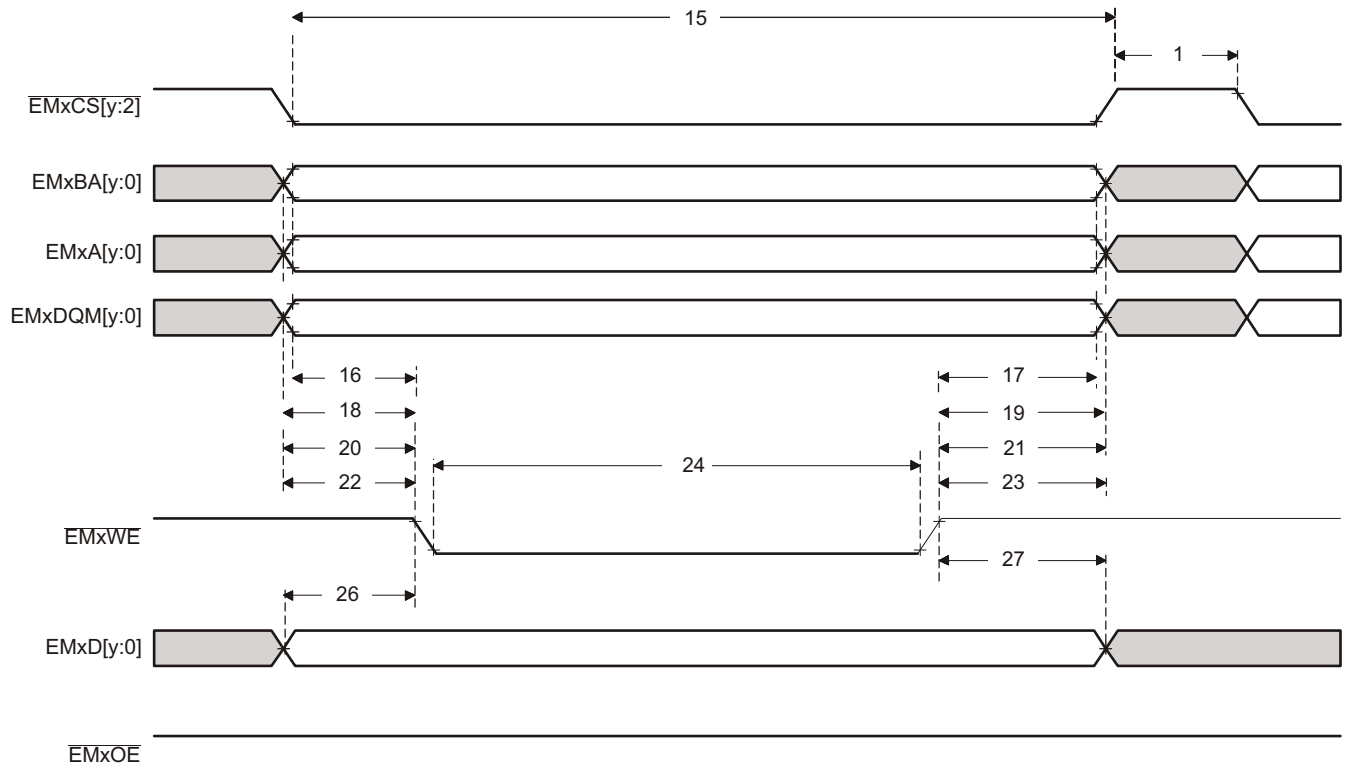
**6.16.10.3.6 EMIF Asynchronous Memory Timing Diagrams**



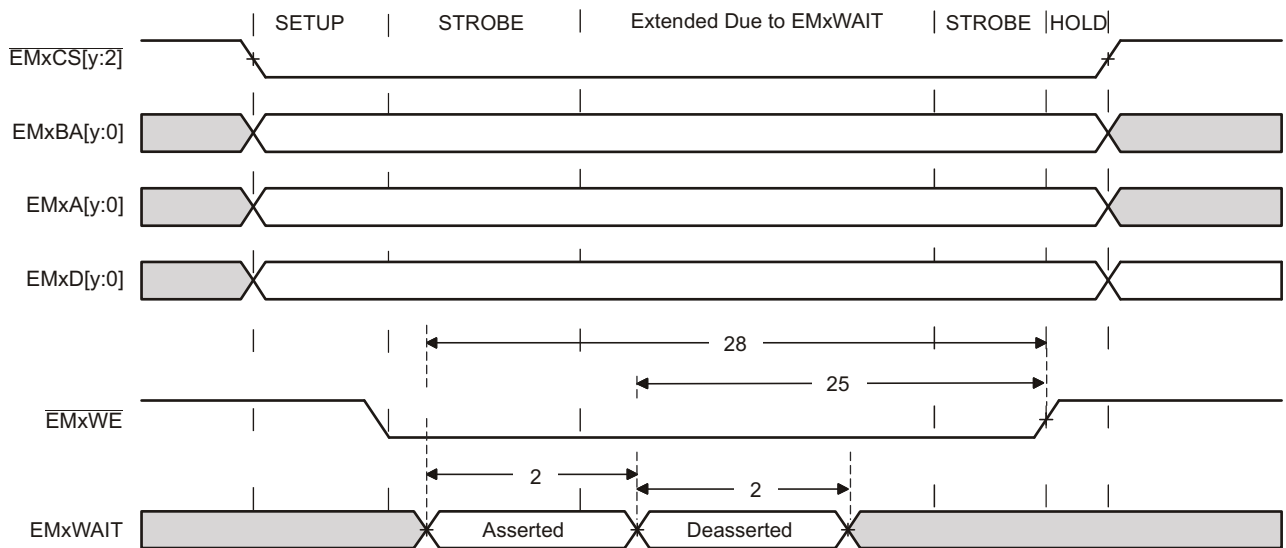
**Figure 6-28. Asynchronous Memory Read Timing**



**Figure 6-29. EMxWAIT Read Timing Requirements**



**Figure 6-30. Asynchronous Memory Write Timing**



**Figure 6-31. EMxWAIT Write Timing Requirements**

## 6.17 C29x Analog Peripherals

### 6.17.1 Analog Subsystem

The analog modules on this device include the Analog-to-Digital Converter (ADC), Temperature Sensor, Buffered Digital-to-Analog Converter (DAC), and Comparator Subsystem (CMPSS).

#### 6.17.1.1 Features

The analog subsystem has the following features:

- Flexible voltage references:
  - The ADCs are referenced to VREFHIx and VREFLOx pins.
    - VREFHIAB and VREFHICDE pin voltages can be driven in externally or can be generated by an internal bandgap voltage reference.
    - The internal voltage reference range can be selected to be 0 V to 2.5 V for ADC A and ADC B when operated in 16-bit mode, however the internal voltage reference range can be selected to be 0 V to 3.3 V or 0 V to 2.5 V for ADC A and ADC B when operated in 12-bit mode.
    - The internal voltage reference range can be selected to be 0 V to 3.3 V or 0 V to 2.5 V for ADC C, ADC D and ADC E.
  - The buffered DACs are referenced to VREFHIx and VSSA
    - Alternately, these DACs can be referenced to the VDAC pin and VSSA
  - The comparator DACs are referenced to VDDA and VSSA
    - Alternately, these DACs can be referenced to the VDAC pin and VSSA
- Flexible pin usage
  - Buffered DAC outputs, comparator subsystem inputs, and digital inputs (AIOs)/outputs (AGPIOs) are multiplexed with ADC inputs
  - Internal connection to  $V_{REFLO}$  for offset self-calibration

#### 6.17.1.2 Block Diagram

The following analog subsystem block diagrams show the connections between the different integrated analog modules to the device pins. These pins fall into two categories: analog module inputs/outputs and reference pins.

There are two reference pair pins, VREFHIAB /VREFLOAB and VREFHICDE/VREFLOCDE. VREFHIAB and VREFLOAB supply the reference for ADC A and ADC B modules which support both 16-bit and 12-bit mode. VREFHICDE and VREFLOCDE supply ADC C, ADC D and ADC E modules which only support 12-bit mode. VREFHIAB can also be used to supply DAC A, and VREFHICDE can also be used to supply DAC B

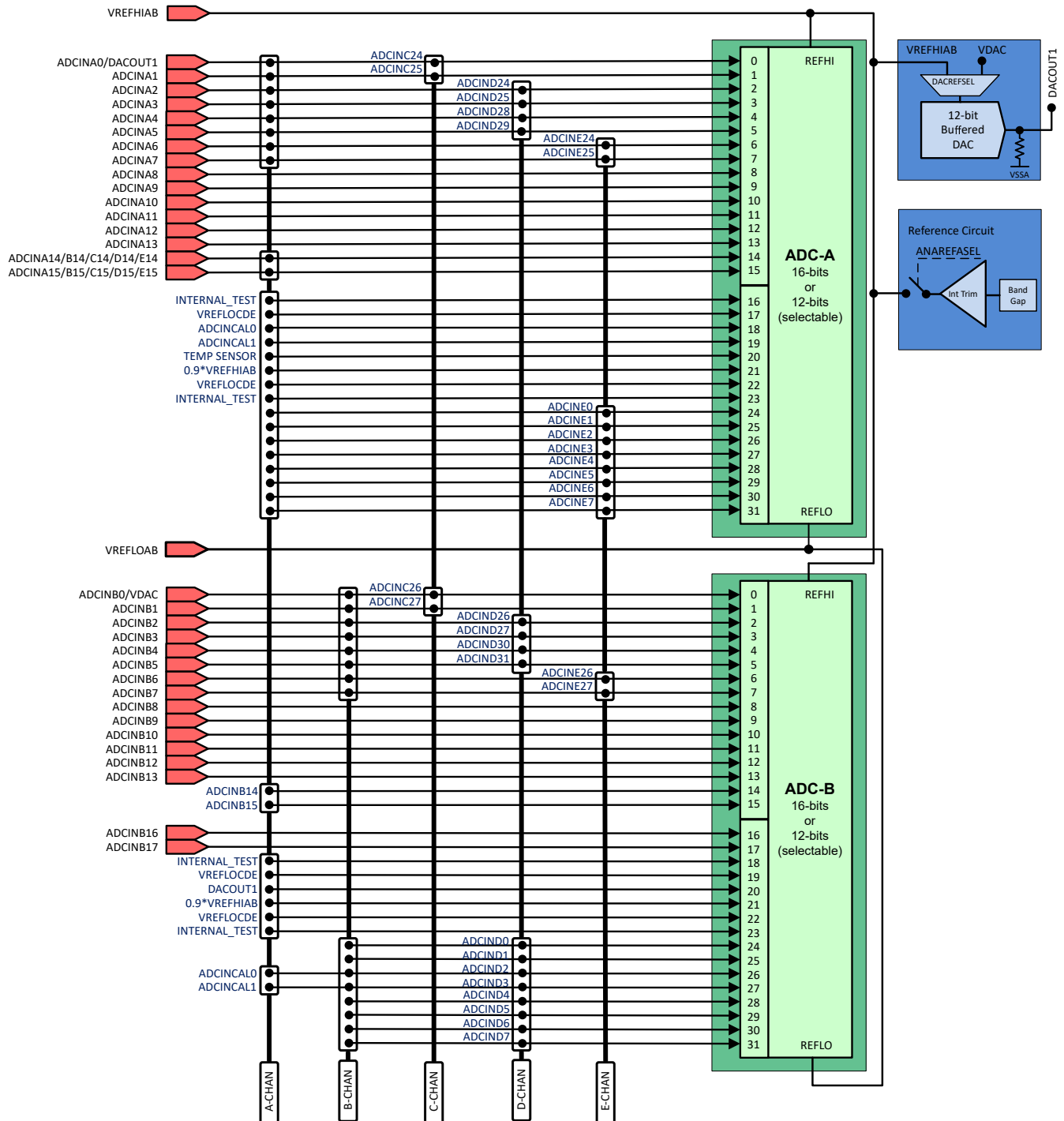
The VDAC reference pin can be used to set an alternate range for DAC A and DAC B, and for the DACs inside the CMPSS modules (the CMPSS DACs are referenced to VDDA and VSSA by default). Using this pin as a reference prevents the channel from being used as an ADC input (but the ADC can be used to sample the VDAC voltage, if desired). The choice of reference is configurable per module for each CMPSS or buffered DAC; the selection is made using the module's configuration registers.

Some analog pins support digital functionality through muxed AIOs and AGPIOs. AIOs only support digital input functionality, while AGPIOs support full digital input and output functionality.

The following notes apply to all packages:

- Not all analog pins are available on all devices. See the device data sheet to determine which pins are available.
- See the device data sheet to determine the allowable voltage range for VREFHI and VREFLO.
- An external capacitor is required on the VREFHI pins. See the device data sheet for the specific value required.
- For buffered DAC modules, VSSA is the low reference whether VREFHIx or VDAC is selected as the high reference.
- For CMPSS modules, VSSA is the low reference whether VDAC or VDDA is selected as the high reference.

The following figures show how each analog group is structured. The *Analog Pin Connections* table lists the analog pins and internal connections.



**Figure 6-32. Analog Subsystem Block Diagram (ADC A and ADC B)**

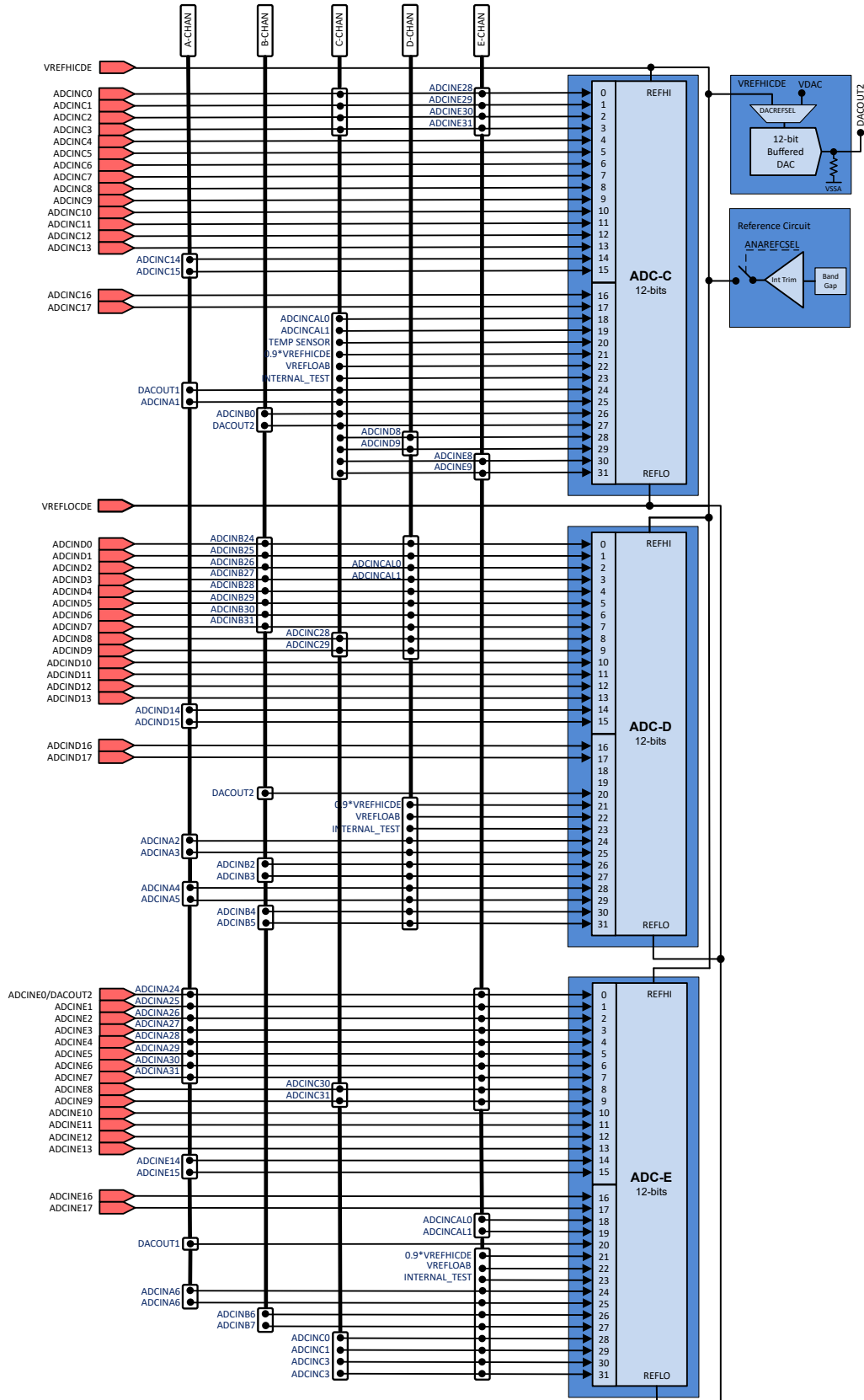
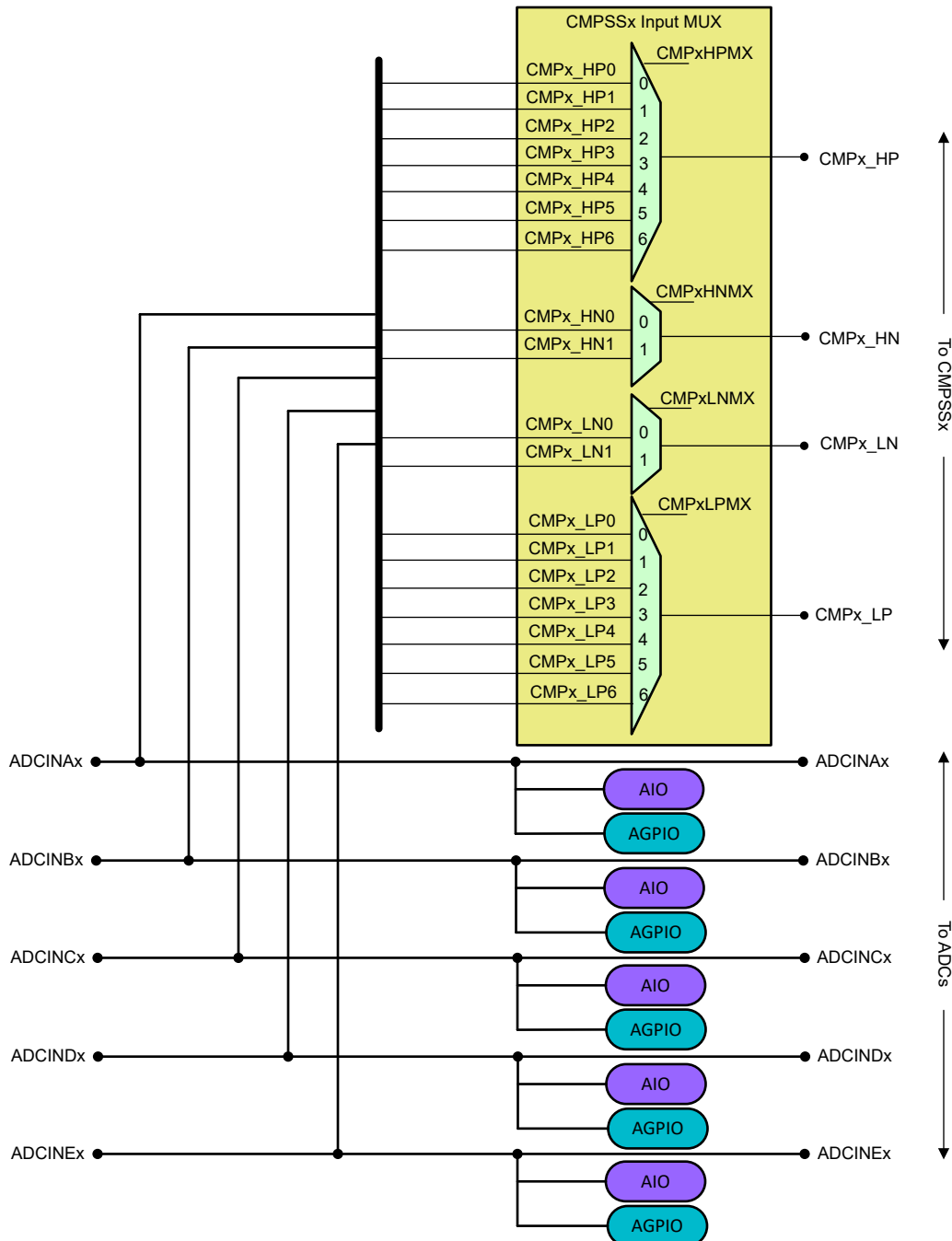


Figure 6-33. Analog Subsystem Block Diagram (ADC C, ADC D and ADC E)

Input connections to the CMPSS modules are selectable through a programmable input mux. Figure 6-34 shows the CMPSS input connections. Table 6-12 shows the mapping of ADC input signals to CMPSS mux inputs.

- To configure the CPH\_POSIN input mux for CMPSSx, write to the CMPxHPMXSEL field in the CMPHPMXSEL or CMPHPMXSEL1 analog subsystem register.
- To configure the CPH\_NEGIN input mux for CMPSSx, write to the CMPxHNMXSEL field in the CMPHNMXSEL analog subsystem register.
- To configure the CPL\_POSIN input mux for CMPSSx, write to the CMPxLPMXSEL field in the CPLPMXSEL or CPLPMXSEL1 analog subsystem register.
- To configure the CPL\_NEGIN input mux for CMPSSx, write to the CMPxLNMXSEL field in the CPLNMXSEL analog subsystem register.



**Figure 6-34. Analog Group Connections**

**Table 6-12. CMPSS Input Mux Options**

| CMPSSx Input MUX | CMP1 | CMP2 | CMP3      | CMP4 | CMP5      | CMP6          | CMP7           | CMP8 | CMP9 | CMP10 | CMP11 | CMP12          |
|------------------|------|------|-----------|------|-----------|---------------|----------------|------|------|-------|-------|----------------|
| HP0              | A4   | A6   | B2        | A0   | D12       | D8            | D1             | D3   | C1   | C0    | C1    | C8             |
| HP1              | A2   | E8   | B0        | D5   | E6        | E17           | B4             | E4   | C2   | E10   | E11   | E1             |
| HP2              | A3   | E9   | B1        | D0   | E7        | E16           | B5             | E5   | A7   | E12   | E13   | 0.9*VREF HIAB  |
| HP3              | B3   | D13  | TempSense | D2   | TempSense | 0.9*VREF HIAB | 0.9*VREF HICDE | A8   | C9   | D3    | E1    | 0.9*VREF HICDE |
| HP4              | D6   | D7   | E2        | E3   | A8        | A9            | A10            | A11  | B6   | B7    | B8    | B9             |
| HP5              | A12  | A13  | A14       | A15  | C7        | C8            | C9             | C10  | B16  | B17   | C11   | C12            |
| HP6              | B0   | B2   | D1        | B8   | C0        | E0            | A1             | B9   | A0   | D0    | A14   | A15            |
| HN0              | A5   | A7   | B3        | A1   | D13       | D9            | D2             | D4   | A2   | E8    | B6    | A6             |
| HN1              | A3   | A4   | B5        | D5   | E6        | E17           | B4             | E4   | E9   | D12   | C2    | B1             |
| LP0              | A4   | A6   | B2        | A0   | D12       | D8            | D1             | D3   | C1   | C0    | C1    | C8             |
| LP1              | A2   | E8   | B0        | D5   | E6        | E17           | B4             | E4   | C2   | E10   | E11   | E1             |
| LP2              | A3   | E9   | B1        | D0   | E7        | E16           | B5             | E5   | A7   | E12   | E13   | 0.9*VREF HIAB  |
| LP3              | B3   | D13  | D9        | D2   | D4        | 0.9*VREF HIAB | 0.9*VREF HICDE | A8   | C9   | D3    | E1    | 0.9*VREF HICDE |
| LP4              | D6   | D7   | E2        | E3   | B10       | B11           | B12            | B13  | C3   | C4    | C5    | C6             |
| LP5              | A12  | A13  | A14       | A15  | C13       | C16           | C17            | D10  | D11  | D16   | D17   | E0             |
| LP6              | B0   | B2   | D1        | B8   | C0        | E0            | A1             | B9   | A0   | D0    | A14   | A15            |
| LN0              | A5   | A7   | B3        | A1   | D13       | D9            | D2             | D4   | A2   | E8    | B6    | A6             |
| LN1              | A3   | A4   | B5        | D5   | E6        | E17           | B4             | E4   | E9   | D12   | C2    | B1             |

### 6.17.1.3 Analog Pin Connections

Table 6-13. Analog Pin Connections

| Pin Name              | Pins/Package |            |            |            | ADC         |             |     |     |     | DAC                               | Comparator Subsystem (Mux) |                   |                   |                   | AIO Input/<br>GPIO |
|-----------------------|--------------|------------|------------|------------|-------------|-------------|-----|-----|-----|-----------------------------------|----------------------------|-------------------|-------------------|-------------------|--------------------|
|                       | 256<br>ZEX   | 176<br>PTS | 144<br>RFS | 100<br>PZS | A           | B           | C   | D   | E   |                                   | High Positive              | High Negative     | Low Positive      | Low Negative      |                    |
| VREFHIAB              | N2           | 38         | 30         | 19         |             |             |     |     |     |                                   |                            |                   |                   |                   |                    |
| VREFHICDE             | R4           | 54         | 45         | 33         |             |             |     |     |     |                                   |                            |                   |                   |                   |                    |
| VFEFLOAB              | N1           | 37         | 29         | 18         |             |             | C22 | D22 | E22 |                                   |                            |                   |                   |                   |                    |
| VREFLOCDE             | T4           | 53         | 44         | 32         | A17,A2<br>2 | B19,B2<br>2 |     |     |     |                                   |                            |                   |                   |                   |                    |
| <b>Analog Group 1</b> |              |            |            |            |             |             |     |     |     | <b>CMP1 and other comparators</b> |                            |                   |                   |                   |                    |
| ADCINA3               | M2           | 35         | 27         |            | A3          |             |     | D25 |     |                                   | CMP1 (HPMXSEL=2)           | CMP1 (HNMXSEL=1)  | CMP1 (LPMXSEL=2)  | CMP1 (LNMXSEL=1)  | AIO163             |
| ADCINA5               | L1           | 31         | 23         |            | A5          |             |     | D29 |     |                                   |                            | CMP1 (HNMXSEL=0)  |                   | CMP1 (LNMXSEL=0)  | AIO165             |
| ADCINA12              | K2           |            |            |            | A12         |             |     |     |     |                                   | CMP1 (HPMXSEL=5)           |                   | CMP1 (LPMXSEL=5)  |                   | AIO166             |
| ADCIND6               | T12          | 71         | 60         |            |             | B30         |     | D6  |     |                                   | CMP1 (HPMXSEL=4)           |                   | CMP1 (LPMXSEL=4)  |                   | GPIO242            |
| ADCINA4               | L2           | 32         | 24         |            | A4          |             |     | D28 |     |                                   | CMP1 (HPMXSEL=0)           | CMP2 (HNMXSEL=1)  | CMP1 (LPMXSEL=0)  | CMP2 (LNMXSEL=1)  | AIO164             |
| ADCINB0               | P2           | 42         | 34         | 23         |             | B0          | C26 |     |     | VDAC                              | CMP1 (HPMXSEL=6)           |                   | CMP1 (LPMXSEL=6)  |                   | AIO170             |
|                       |              |            |            |            |             |             |     |     |     |                                   | CMP3 (HPMXSEL=1)           |                   | CMP3 (LPMXSEL=1)  |                   |                    |
| ADCINB3               | L3           | 33         | 25         | 16         |             | B3          |     | D27 |     |                                   | CMP1 (HPMXSEL=3)           | CMP3 (HNMXSEL=0)  | CMP1 (LPMXSEL=3)  | CMP3 (LNMXSEL=0)  | AIO173             |
| ADCINA2               | M1           | 36         | 28         |            | A2          |             |     | D24 |     |                                   | CMP1 (HPMXSEL=1)           | CMP9 (HNMXSEL=0)  | CMP1 (LPMXSEL=1)  | CMP9 (LNMXSEL=0)  | AIO162             |
| <b>Analog Group 2</b> |              |            |            |            |             |             |     |     |     | <b>CMP2 and other comparators</b> |                            |                   |                   |                   |                    |
| ADCINA13              | K1           |            |            |            | A13         |             |     |     |     |                                   | CMP2 (HPMXSEL=5)           |                   | CMP2 (LPMXSEL=5)  |                   | AIO167             |
| ADCIND7               | R12          | 72         | 61         |            |             | B31         |     | D7  |     |                                   | CMP2 (HPMXSEL=4)           |                   | CMP2 (LPMXSEL=4)  |                   | GPIO243            |
| ADCINB2               | L4           | 34         | 26         | 17         |             | B2          |     | D26 |     |                                   | CMP2 (HPMXSEL=6)           |                   | CMP2 (LPMXSEL=6)  |                   | AIO172             |
|                       |              |            |            |            |             |             |     |     |     |                                   | CMP3 (HPMXSEL=0)           |                   | CMP3 (LPMXSEL=0)  |                   | AIO172             |
| ADCIND13              | M6           |            |            |            |             |             |     | D13 |     |                                   | CMP2 (HPMXSEL=3)           | CMP5 (HNMXSEL=0)  | CMP2 (LPMXSEL=3)  | CMP5 (LNMXSEL=0)  | AIO199             |
| ADCINA7               | K5           | 25         | 17         | 12         | A7          |             |     |     | E25 |                                   | CMP9 (HPMXSEL=2)           | CMP2 (HNMXSEL=0)  | CMP9 (LPMXSEL=2)  | CMP2 (LNMXSEL=0)  | GPIO225            |
| ADCINE9               | T9           |            |            |            |             |             | C31 |     | E9  |                                   | CMP2 (HPMXSEL=2)           | CMP9 (HNMXSEL=1)  | CMP2 (LPMXSEL=2)  | CMP9 (LNMXSEL=1)  | AIO207             |
| ADCINE8               | T10          |            |            |            |             |             | C30 |     | E8  |                                   | CMP2 (HPMXSEL=1)           | CMP10 (HNMXSEL=0) | CMP2 (LPMXSEL=1)  | CMP10 (LNMXSEL=0) | AIO206             |
| ADCINA6               | L5           | 26         | 18         | 13         | A6          |             |     |     | E24 |                                   | CMP2 (HPMXSEL=0)           | CMP12 (HNMXSEL=0) | CMP2 (LPMXSEL=0)  | CMP12 (LNMXSEL=0) | GPIO224            |
| <b>Analog Group 3</b> |              |            |            |            |             |             |     |     |     | <b>CMP3 and other comparators</b> |                            |                   |                   |                   |                    |
| ADCINE2               | T5           | 59         | 51         |            | A26         |             |     |     | E2  |                                   | CMP3 (HPMXSEL=4)           |                   | CMP3 (LPMXSEL=4)  |                   | AIO204             |
| TempSensor            |              |            |            |            | A20         |             | C20 |     |     |                                   | CMP3 (HPMXSEL=3)           |                   |                   |                   |                    |
|                       |              |            |            |            |             |             |     |     |     |                                   | CMP5 (HPMXSEL=3)           |                   |                   |                   |                    |
| ADCIND9               | T13          | 76         |            |            |             |             | C29 | D9  |     |                                   |                            | CMP6 (HNMXSEL=0)  | CMP3 (LPMXSEL=3)  | CMP6 (LNMXSEL=0)  | GPIO245            |
| ADCIND1               | T3           | 48         | 40         | 29         |             | B25         |     | D1  |     |                                   | CMP3 (HPMXSEL=6)           |                   | CMP3 (LPMXSEL=6)  |                   | AIO193             |
|                       |              |            |            |            |             |             |     |     |     |                                   | CMP7 (HPMXSEL=0)           |                   | CMP7 (LPMXSEL=0)  |                   |                    |
| ADCINB5               | K3           | 29         | 21         |            |             | B5          |     | D31 |     |                                   | CMP7 (HPMXSEL=2)           | CMP3 (HNMXSEL=1)  | CMP7 (LPMXSEL=2)  | CMP3 (LNMXSEL=1)  | AIO175             |
| ADCINA14              | M3           | 40         | 32         | 21         | A14         | B14         | C14 | D14 | E14 |                                   | CMP3 (HPMXSEL=5)           |                   | CMP3 (LPMXSEL=5)  |                   | AIO168             |
|                       |              |            |            |            |             |             |     |     |     |                                   | CMP11 (HPMXSEL=6)          |                   | CMP11 (LPMXSEL=6) |                   |                    |
| ADCINB1               | N3           | 41         | 33         | 22         |             | B1          | C27 |     |     |                                   | CMP3 (HPMXSEL=2)           | CMP12 (HNMXSEL=1) | CMP3 (LPMXSEL=2)  | CMP12 (LNMXSEL=1) | AIO171             |

**Table 6-13. Analog Pin Connections (continued)**

| Pin Name              | Pins/Package |            |            |            | ADC |     |     |     |     | DAC     | Comparator Subsystem (Mux)        |                   |                   |                   | AIO Input/<br>GPIO |
|-----------------------|--------------|------------|------------|------------|-----|-----|-----|-----|-----|---------|-----------------------------------|-------------------|-------------------|-------------------|--------------------|
|                       | 256<br>ZEX   | 176<br>PTS | 144<br>RFS | 100<br>PZS | A   | B   | C   | D   | E   |         | High Positive                     | High Negative     | Low Positive      | Low Negative      |                    |
| <b>Analog Group 4</b> |              |            |            |            |     |     |     |     |     |         | <b>CMP4 and other comparators</b> |                   |                   |                   |                    |
| ADCIND5               | N11          | 66         | 55         |            |     | B29 |     | D5  |     |         | CMP4 (HPMXSEL=1)                  | CMP4 (HNMXSEL=1)  | CMP4 (LPMXSEL=1)  | CMP4 (LNMXSEL=1)  | GPIO241            |
| ADCINE3               | T6           | 60         | 52         |            | A27 |     |     |     | E3  |         | CMP4 (HPMXSEL=4)                  |                   | CMP4 (LPMXSEL=4)  |                   | AIO205             |
| ADCINA1               | P1           | 43         | 35         | 24         | A1  |     | C25 |     |     |         | CMP7 (HPMXSEL=6)                  | CMP4 (HNMXSEL=0)  | CMP7 (LPMXSEL=6)  | CMP4 (LNMXSEL=0)  | AIO161             |
| ADCIND2               | R5           | 57         | 49         | 34         |     | B26 |     | D2  |     |         | CMP4 (HPMXSEL=3)                  | CMP7 (HNMXSEL=0)  | CMP4 (LPMXSEL=3)  | CMP7 (LNMXSEL=0)  | AIO194             |
| ADCINA0               | R1           | 44         | 36         | 25         | A0  |     | C24 |     |     | DACOUT1 | CMP4 (HPMXSEL=0)                  |                   | CMP4 (LPMXSEL=0)  |                   | AIO160             |
|                       |              |            |            |            |     |     |     |     |     |         | CMP9 (HPMXSEL=6)                  |                   | CMP9 (LPMXSEL=6)  |                   |                    |
| ADCIND0               | R3           | 47         | 39         | 28         |     | B24 |     | D0  |     |         | CMP4 (HPMXSEL=2)                  |                   | CMP4 (LPMXSEL=2)  |                   | AIO192             |
|                       |              |            |            |            |     |     |     |     |     |         | CMP10 (HPMXSEL=6)                 |                   | CMP10 (LPMXSEL=6) |                   |                    |
| ADCINB8               | H2           | 20         | 15         | 11         |     | B8  |     |     |     |         | CMP4 (HPMXSEL=6)                  |                   | CMP4 (LPMXSEL=6)  |                   | GPIO232            |
|                       |              |            |            |            |     |     |     |     |     |         | CMP11 (HPMXSEL=4)                 |                   |                   |                   |                    |
| ADCINA15              | M4           | 39         | 31         | 20         | A15 | B15 | C15 | D15 | E15 |         | CMP4 (HPMXSEL=5)                  |                   | CMP4 (LPMXSEL=5)  |                   | AIO169             |
|                       |              |            |            |            |     |     |     |     |     |         | CMP12 (HPMXSEL=6)                 |                   | CMP12 (LPMXSEL=6) |                   |                    |
| <b>Analog Group 5</b> |              |            |            |            |     |     |     |     |     |         | <b>CMP5 and other comparators</b> |                   |                   |                   |                    |
| ADCINB10              | G2           | 16         | 13         |            |     | B10 |     |     |     |         |                                   |                   | CMP5 (LPMXSEL=4)  |                   | GPIO234            |
| ADCINC7               | M9           | 64         |            |            |     |     | C7  |     |     |         | CMP5 (HPMXSEL=5)                  |                   |                   |                   | GPIO237            |
| ADCINC13              | T8           |            |            |            |     |     | C13 |     |     |         |                                   |                   | CMP5 (LPMXSEL=5)  |                   | AIO189             |
| ADCINE6               | P13          | 73         | 62         |            | A30 |     |     |     | E6  |         | CMP5 (HPMXSEL=1)                  | CMP5 (HNMXSEL=1)  | CMP5 (LPMXSEL=1)  | CMP5 (LNMXSEL=1)  | GPIO248            |
| ADCINE7               | N13          | 74         | 63         |            | A31 |     |     |     | E7  |         | CMP5 (HPMXSEL=2)                  |                   | CMP5 (LPMXSEL=2)  |                   | GPIO249            |
| ADCINA8               | H4           | 22         | 16         |            | A8  |     |     |     |     |         | CMP5 (HPMXSEL=4)                  |                   |                   |                   | GPIO226            |
|                       |              |            |            |            |     |     |     |     |     |         | CMP8 (HPMXSEL=3)                  |                   | CMP8 (LPMXSEL=3)  |                   |                    |
| ADCIND4               | N10          | 65         |            |            |     | B28 |     | D4  |     |         |                                   | CMP8 (HNMXSEL=0)  | CMP5 (LPMXSEL=3)  | CMP8 (LNMXSEL=0)  | GPIO240            |
| ADCINC0               | R2           | 45         | 37         | 26         |     |     | C0  |     | E28 |         | CMP5 (HPMXSEL=6)                  |                   | CMP5 (LPMXSEL=6)  |                   | AIO180             |
|                       |              |            |            |            |     |     |     |     |     |         | CMP10 (HPMXSEL=0)                 |                   | CMP10 (LPMXSEL=0) |                   |                    |
| ADCIND12              | M7           |            |            |            |     |     |     | D12 |     |         | CMP5 (HPMXSEL=0)                  | CMP10 (HNMXSEL=1) | CMP5 (LPMXSEL=0)  | CMP10 (LNMXSEL=1) | AIO198             |
| <b>Analog Group 6</b> |              |            |            |            |     |     |     |     |     |         | <b>CMP6 and other comparators</b> |                   |                   |                   |                    |
| ADCINA9               | H3           | 21         |            |            | A9  |     |     |     |     |         | CMP6 (HPMXSEL=4)                  |                   |                   |                   | GPIO227            |
| ADCINB11              | G1           | 15         | 12         |            |     | B11 |     |     |     |         |                                   |                   | CMP6 (LPMXSEL=4)  |                   | GPIO235            |
| ADCINC16              | N7           |            |            |            |     |     | C16 |     |     |         |                                   |                   | CMP6 (LPMXSEL=5)  |                   | AIO190             |
| ADCIND8               | R13          | 75         |            |            |     |     | C28 | D8  |     |         | CMP6 (HPMXSEL=0)                  |                   | CMP6 (LPMXSEL=0)  |                   | GPIO244            |
| ADCINE16              | P10          |            |            |            |     |     |     |     | E16 |         | CMP6 (HPMXSEL=2)                  |                   | CMP6 (LPMXSEL=2)  |                   | AIO212             |
| ADCINE17              | T11          |            |            |            |     |     |     |     | E17 |         | CMP6 (HPMXSEL=1)                  | CMP6 (HNMXSEL=1)  | CMP6 (LPMXSEL=1)  | CMP6 (LNMXSEL=1)  | AIO213             |
| ADCINC8               | N12          | 69         | 58         | 40         |     |     | C8  |     |     |         | CMP6 (HPMXSEL=5)                  |                   |                   |                   | GPIO238            |
|                       |              |            |            |            |     |     |     |     |     |         | CMP12 (HPMXSEL=0)                 |                   | CMP12 (LPMXSEL=0) |                   |                    |
| ADCINE0               | P3           | 49         | 41         | 30         | A24 |     |     |     | E0  | DACOUT2 | CMP6 (HPMXSEL=6)                  |                   | CMP6 (LPMXSEL=6)  |                   | AIO202             |
|                       |              |            |            |            |     |     |     |     |     |         |                                   |                   | CMP12 (LPMXSEL=5) |                   |                    |
| 0.9*VREFHIAB          |              |            |            |            | A21 | B21 |     |     |     |         | CMP6 (HPMXSEL=3)                  |                   | CMP6 (LPMXSEL=3)  |                   |                    |
|                       |              |            |            |            |     |     |     |     |     |         |                                   |                   | CMP12 (LPMXSEL=2) |                   |                    |

**Table 6-13. Analog Pin Connections (continued)**

| Pin Name               | Pins/Package |            |            |            | ADC |     |     |     |     | DAC | Comparator Subsystem (Mux)         |                   |                   |                   | AIO Input/<br>GPIO |
|------------------------|--------------|------------|------------|------------|-----|-----|-----|-----|-----|-----|------------------------------------|-------------------|-------------------|-------------------|--------------------|
|                        | 256<br>ZEX   | 176<br>PTS | 144<br>RFS | 100<br>PZS | A   | B   | C   | D   | E   |     | High Positive                      | High Negative     | Low Positive      | Low Negative      |                    |
| <b>Analog Group 7</b>  |              |            |            |            |     |     |     |     |     |     | <b>CMP7 and other comparators</b>  |                   |                   |                   |                    |
| ADCINA10               | G3           | 18         |            |            | A10 |     |     |     |     |     | CMP7 (HPMXSEL=4)                   |                   |                   |                   | GPIO228            |
| ADCINB4                | K4           | 30         | 22         |            |     | B4  |     | D30 |     |     | CMP7 (HPMXSEL=1)                   | CMP7 (HNMXSEL=1)  | CMP7 (LPMXSEL=1)  | CMP7 (LNMXSEL=1)  | AIO174             |
| ADCINB12               | J2           |            |            |            |     | B12 |     |     |     |     |                                    |                   | CMP7 (LPMXSEL=4)  |                   | AIO176             |
| ADCINC17               | P7           |            |            |            |     |     | C17 |     |     |     |                                    |                   | CMP7 (LPMXSEL=5)  |                   | AIO191             |
| ADCINC9                | P12          | 70         | 59         | 41         |     |     | C9  |     |     |     | CMP7 (HPMXSEL=5)                   |                   |                   |                   | GPIO239            |
|                        |              |            |            |            |     |     |     |     |     |     | CMP9 (HPMXSEL=3)                   |                   | CMP9 (LPMXSEL=3)  |                   |                    |
| 0.9*VREFHICDE          |              |            |            |            |     |     | C21 | D21 | E21 |     | CMP7 (HPMXSEL=3)                   |                   | CMP7 (LPMXSEL=3)  |                   |                    |
|                        |              |            |            |            |     |     |     |     |     |     | CMP12 (HPMXSEL=3)                  |                   | CMP12 (LPMXSEL=3) |                   |                    |
| <b>Analog Group 8</b>  |              |            |            |            |     |     |     |     |     |     | <b>CMP8 and other comparators</b>  |                   |                   |                   |                    |
| ADCINB13               | J1           |            |            |            |     | B13 |     |     |     |     |                                    |                   | CMP8 (LPMXSEL=4)  |                   | AIO177             |
| ADCINA11               | G4           | 17         |            |            | A11 |     |     |     |     |     | CMP8 (HPMXSEL=4)                   |                   |                   |                   | GPIO229            |
| ADCINC10               | N8           |            |            |            |     |     | C10 |     |     |     | CMP8 (HPMXSEL=5)                   |                   |                   |                   | AIO186             |
| ADCIND10               | N6           |            |            |            |     |     |     | D10 |     |     |                                    |                   | CMP8 (LPMXSEL=5)  |                   | AIO196             |
| ADCINE4                | P11          | 67         | 56         | 38         | A28 |     |     |     | E4  |     | CMP8 (HPMXSEL=1)                   | CMP8 (HNMXSEL=1)  | CMP8 (LPMXSEL=1)  | CMP8 (LNMXSEL=1)  | GPIO246            |
| ADCINE5                | R11          | 68         | 57         | 39         | A29 |     |     |     | E5  |     | CMP8 (HPMXSEL=2)                   |                   | CMP8 (LPMXSEL=2)  |                   | GPIO247            |
| ADCIND3                | R6           | 58         | 50         | 35         |     | B27 |     | D3  |     |     | CMP8 (HPMXSEL=0)                   |                   | CMP8 (LPMXSEL=0)  |                   | AIO195             |
|                        |              |            |            |            |     |     |     |     |     |     | CMP10 (HPMXSEL=3)                  |                   | CMP10 (LPMXSEL=3) |                   |                    |
| ADCINB9                | H1           | 19         | 14         | 10         |     | B9  |     |     |     |     | CMP8 (HPMXSEL=6)                   |                   | CMP8 (LPMXSEL=6)  |                   | GPIO233            |
|                        |              |            |            |            |     |     |     |     |     |     | CMP12 (HPMXSEL=4)                  |                   |                   |                   |                    |
| <b>Analog Group 9</b>  |              |            |            |            |     |     |     |     |     |     | <b>CMP9 and other comparators</b>  |                   |                   |                   |                    |
| ADCINB16               | J4           |            |            |            |     | B16 |     |     |     |     | CMP9 (HPMXSEL=5)                   |                   |                   |                   | AIO178             |
| ADCINC3                | M5           | 52         | 44         |            |     |     | C3  |     | E30 |     |                                    |                   | CMP9 (LPMXSEL=4)  |                   | AIO183             |
| ADCIND11               | P6           |            |            |            |     |     |     | D11 |     |     |                                    |                   | CMP9 (LPMXSEL=5)  |                   | AIO197             |
| ADCINB6                | J5           | 24         |            |            |     | B6  |     |     | E26 |     | CMP9 (HPMXSEL=4)                   | CMP11 (HNMXSEL=0) |                   | CMP11 (LNMXSEL=0) | GPIO230            |
| ADCINC1                | T2           | 46         | 38         | 27         |     |     | C1  |     | E29 |     | CMP9 (HPMXSEL=0)                   |                   | CMP9 (LPMXSEL=0)  |                   | AIO181             |
|                        |              |            |            |            |     |     |     |     |     |     | CMP11 (HPMXSEL=0)                  |                   | CMP11 (LPMXSEL=0) |                   |                    |
| ADCINC2                | N4           | 51         | 43         |            |     |     | C2  |     | E30 |     | CMP9 (HPMXSEL=1)                   |                   | CMP9 (LPMXSEL=1)  |                   | AIO182             |
|                        |              |            |            |            |     |     |     |     |     |     |                                    | CMP11 (HNMXSEL=1) |                   | CMP11 (LNMXSEL=1) |                    |
| <b>Analog Group 10</b> |              |            |            |            |     |     |     |     |     |     | <b>CMP10 and other comparators</b> |                   |                   |                   |                    |
| ADCINB7                | H5           | 23         |            |            |     | B7  |     |     | E27 |     | CMP10 (HPMXSEL=4)                  |                   |                   |                   | GPIO231            |
| ADCINB17               | J3           |            |            |            |     | B17 |     |     |     |     | CMP10 (HPMXSEL=5)                  |                   |                   |                   | AIO179             |
| ADCINC4                | P5           | 55         | 47         |            |     |     | C4  |     |     |     |                                    |                   | CMP10 (LPMXSEL=4) |                   | AIO184             |
| ADCIND16               | R7           |            |            |            |     |     |     | D16 |     |     |                                    |                   | CMP10 (LPMXSEL=5) |                   | AIO200             |
| ADCINE10               | R10          |            |            |            |     |     |     |     | E10 |     | CMP10 (HPMXSEL=1)                  |                   | CMP10 (LPMXSEL=1) |                   | AIO208             |
| ADCINE12               | P9           |            |            |            |     |     |     |     | E12 |     | CMP10 (HPMXSEL=2)                  |                   | CMP10 (LPMXSEL=2) |                   | AIO210             |
| <b>Analog Group 11</b> |              |            |            |            |     |     |     |     |     |     | <b>CMP11 and other comparators</b> |                   |                   |                   |                    |
| ADCINC5                | N5           | 56         | 48         |            |     |     | C5  |     |     |     |                                    |                   | CMP11 (LPMXSEL=4) |                   | AIO185             |

**Table 6-13. Analog Pin Connections (continued)**

| Pin Name               | Pins/Package |            |            |            | ADC |   |     |     |     | DAC                                | Comparator Subsystem (Mux) |               |                   |              | AIO Input/<br>GPIO |
|------------------------|--------------|------------|------------|------------|-----|---|-----|-----|-----|------------------------------------|----------------------------|---------------|-------------------|--------------|--------------------|
|                        | 256<br>ZEX   | 176<br>PTS | 144<br>RFS | 100<br>PZS | A   | B | C   | D   | E   |                                    | High Positive              | High Negative | Low Positive      | Low Negative |                    |
| ADCINC11               | P8           |            |            |            |     |   | C11 |     |     |                                    | CMP11 (HPMXSEL=5)          |               |                   |              | AIO187             |
| ADCIND17               | T7           |            |            |            |     |   |     | D17 |     |                                    |                            |               | CMP11 (LPMXSEL=5) |              | AIO201             |
| ADCINE11               | R9           |            |            |            |     |   |     |     | E11 |                                    | CMP11 (HPMXSEL=1)          |               | CMP11 (LPMXSEL=1) |              | AIO209             |
| ADCINE13               | N9           |            |            |            |     |   |     |     | E13 |                                    | CMP11 (HPMXSEL=2)          |               | CMP11 (LPMXSEL=2) |              | AIO211             |
| ADCINE1                | P4           | 50         | 42         | 31         | A25 |   |     |     | E1  |                                    | CMP11 (HPMXSEL=3)          |               | CMP11 (LPMXSEL=3) |              | AIO203             |
|                        |              |            |            |            |     |   |     |     |     |                                    | CMP12 (HPMXSEL=1)          |               | CMP12 (LPMXSEL=1) |              |                    |
| <b>Analog Group 12</b> |              |            |            |            |     |   |     |     |     | <b>CMP12 and other comparators</b> |                            |               |                   |              |                    |
| ADCINC6                | M8           | 63         |            |            |     |   | C6  |     |     |                                    |                            |               | CMP12 (LPMXSEL=4) |              | GPIO236            |
| ADCINC12               | R8           |            |            |            |     |   | C12 |     |     |                                    | CMP12 (HPMXSEL=5)          |               |                   |              | AIO188             |

### 6.17.2 Analog-to-Digital Converter (ADC)

The ADC module described here is a successive approximation (SAR) style ADC with resolution of 12 bits selectable resolution of 12 bits or 16 bits. This section refers to the analog circuits of the converter as the “core,” and includes the channel-select MUX, the sample-and-hold (S/H) circuit, the successive approximation circuits, voltage reference circuits, and other analog support circuits. The digital circuits of the converter are referred to as the “wrapper” and include logic for programmable conversions, result registers, interfaces to analog circuits, interfaces to the peripheral buses, post-processing circuits, and interfaces to other on-chip modules.

Each ADC module consists of a single sample-and-hold (S/H) circuit. The ADC module is designed to be duplicated multiple times on the same chip, allowing simultaneous sampling or independent operation of multiple ADCs. The ADC wrapper is start-of-conversion (SOC)-based (see the *SOC Principle of Operation* section of the Analog-to-Digital Converter (ADC) chapter in the [F29H85x and F29P58x Real-Time Microcontrollers Technical Reference Manual](#)).

Each ADC has the following features:

- Selectable resolution of 12 bits or 16 bits (ADC A and B). Resolution of 12 bits (ADC C, D and E).
- Ratiometric external reference set by VREFHI/VREFLO
- Selectable internal reference of 2.5 V or 3.3 V
- Single-ended or differential signal mode on ADC A and B. Single-ended mode on ADC C, D and E.
- Input multiplexer with up to channels
- 32 configurable SOCs
- 32 individually addressable result registers
- External analog input mux selection per SOC, up to 4 bits
- Sample cap reset feature for memory crosstalk mitigation
- Multiple trigger sources
  - Software immediate start
  - All ePWMs : ADCSOC A or B
  - GPIO XINT2
  - CPU Timers 0/1/2
  - ADCINT1/2
  - ECAP events in capture mode (CEVT1, CEVT2, CEVT3, and CEVT4) and APWM mode (period match, compare match, or both).
  - Global software trigger for multiple ADCs
- Four flexible interrupts
- Burst-mode triggering option
- Hardware oversampling mode up to 128x, with configurable trigger spread delay
- Hardware undersampling mode
- Trigger phase delay function
- Four post-processing blocks, each with:
  - Saturating offset calibration
  - Error from setpoint calculation
  - High, low, and zero-crossing compare, with interrupt and ePWMs trip capability
  - Configurable digital filter for high/low/zero-crossing compare
  - Trigger-to-sample delay capture
  - Absolute value calculation
  - 24-bit accumulation register for oversampling, with configurable binary shift
  - Minimum/maximum calculation for outlier rejection

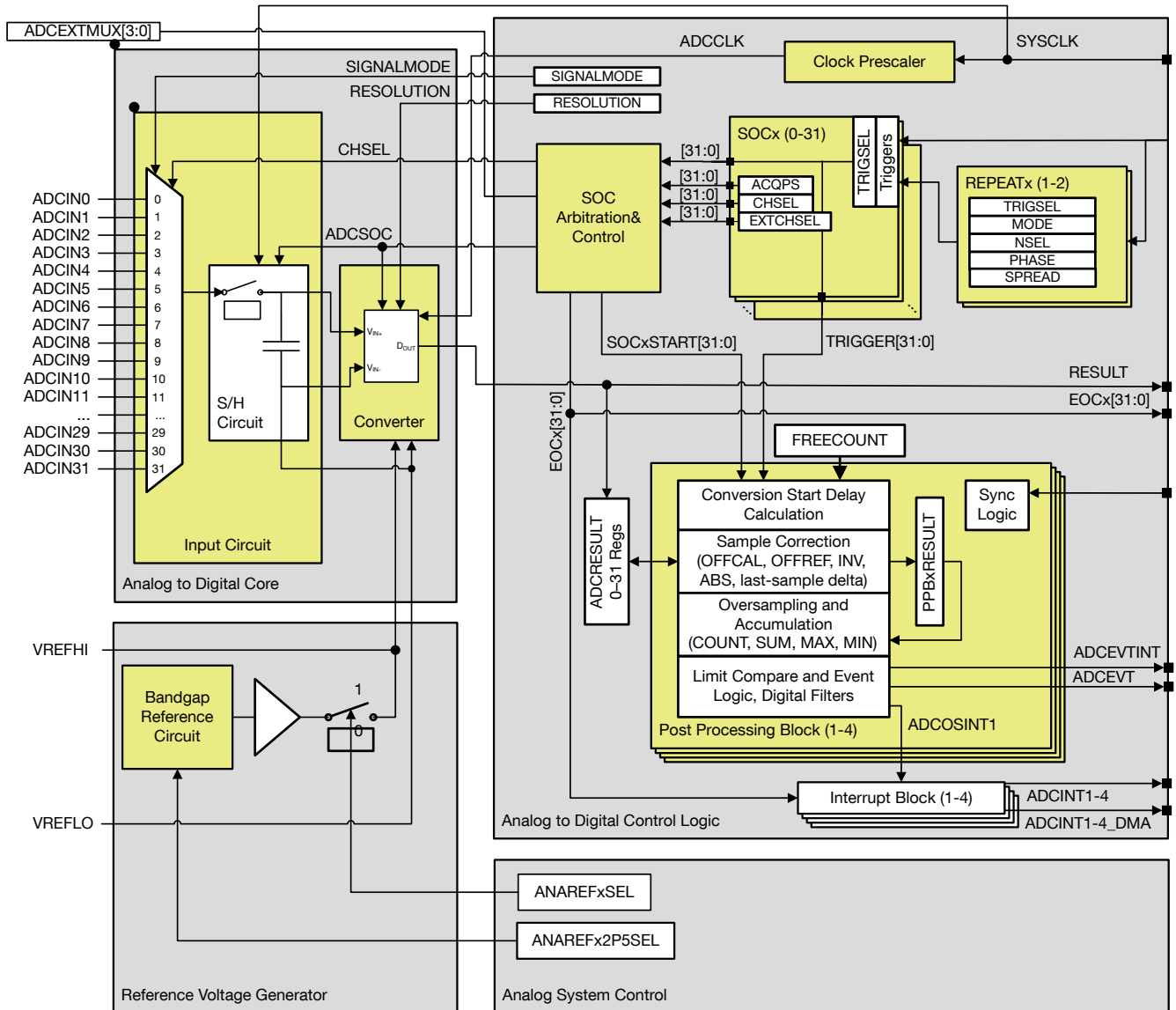
---

#### Note

Not every channel can be pinned out from all ADCs. See the *Pin Configuration and Functions* section to determine which channels are available.

---

The block diagram for the ADC core and ADC wrapper are shown in [Figure 6-35](#).



**Figure 6-35. ADC Module Block Diagram**

### 6.17.2.1 ADC Configurability

Some ADC configurations are individually controlled by the SOCs, while others are globally controlled per ADC module. [Table 6-14](#) summarizes the basic ADC options and their level of configurability.

**Table 6-14. ADC Options and Configuration Levels**

| OPTIONS                     | CONFIGURABILITY                                                     |
|-----------------------------|---------------------------------------------------------------------|
| Clock                       | Per module <sup>(1)</sup>                                           |
| Resolution                  | Not configurable (12-bit resolution only) Per module <sup>(1)</sup> |
| Signal mode                 | Not configurable (single-ended signal mode only) Per module         |
| Reference voltage source    | Per module (external or internal) <sup>(2) (3)</sup>                |
| Trigger source              | Per SOC <sup>(1)</sup>                                              |
| Converted channel           | Per SOC                                                             |
| Acquisition window duration | Per SOC <sup>(1)</sup>                                              |
| EOC location                | Per module                                                          |
| Burst mode                  | Per module <sup>(1)</sup>                                           |

- (1) Writing these values differently to different ADC modules could cause the ADCs to operate asynchronously. For guidance on when the ADCs are operating synchronously or asynchronously, see the *Ensuring Synchronous Operation* section of the Analog-to-Digital Converter (ADC) chapter in the *F29H85x and F29P58x Real-Time Microcontrollers Technical Reference Manual*.
- (2) Lower pin count packages may share one VREFHI pin among multiple ADCs. In this case, the ADCs that share a reference pin must have their reference modes configured identically.
- (3) 3.3 V internal reference mode is not supported when using 16-bit resolution.

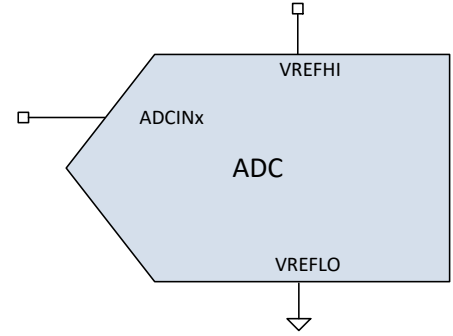
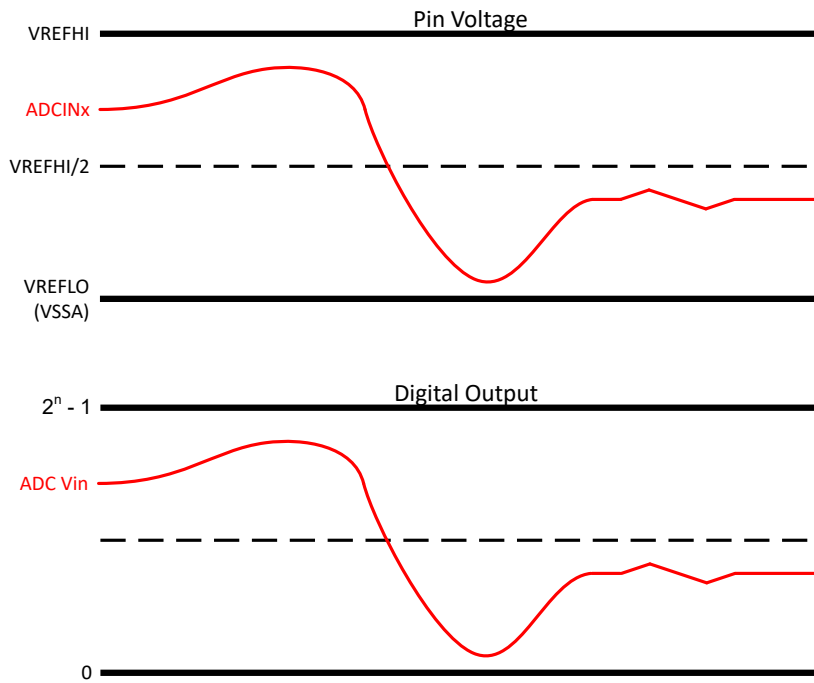
#### 6.17.2.1.1 Signal Mode

The ADC supports single-ended signaling. The input voltage to the converter is sampled through a single pin (ADCINx), referenced to VREFLO.

The ADC supports two signal modes: single-ended and differential. In single-ended mode, the input voltage to the converter is sampled through a single pin (ADCINx), referenced to VREFLO. In differential signaling mode, the input voltage to the converter is sampled through a pair of input pins, one of which is the positive input (ADCINxP) and the other is the negative input (ADCINxN). The actual input voltage is the difference between the two (ADCINxP – ADCINxN). [Figure 6-36](#) shows the differential signaling mode. [Figure 6-37](#) shows the single-ended signaling mode.



**Figure 6-36. Differential Signaling Mode**



**Figure 6-37. Single-ended Signaling Mode**

### 6.17.2.2 ADC Electrical Data and Timing

#### Note

The ADC inputs should be kept below  $V_{DDA} + 0.3\text{ V}$ . If an ADC input goes above this level, ADC disturbances to other channels may occur by two mechanisms:

- ADC input overvoltage will overdrive the CMPSS mux, disturbing all other channels which share a common CMPSS mux. This disturbance will be continuous regardless of if the overvoltage input is sampled by the ADC
- When the ADC samples the overvoltage ADC input, VREFHI will be pulled up to a higher level. This will disturb subsequent ADC conversions on any channel until the  $V_{REF}$  stabilizes

#### Note

The VREFHI pin must be kept below  $V_{DDA} + 0.3\text{ V}$  to ensure proper functional operation. If the VREFHI pin exceeds this level, a blocking circuit may activate, and the internal value of VREFHI may float to 0 V internally, giving improper ADC conversion.

#### 6.17.2.2.1 ADC Operating Conditions 12-bit Single-Ended

over operating free-air temperature range (unless otherwise noted)

| PARAMETER                                                            | TEST CONDITIONS                  | MIN    | TYP        | MAX    | UNIT |
|----------------------------------------------------------------------|----------------------------------|--------|------------|--------|------|
| ADCCLK (derived from PERx.SYSCLK)                                    |                                  | 5      |            | 60     | MHz  |
| Sample rate <sup>(3)</sup>                                           | 200-MHz SYSCLK                   |        |            | 3.7    | MSPS |
| Sample window duration (set by ACQPS and PERx.SYSCLK) <sup>(1)</sup> | With 50 $\Omega$ or less $R_s$   | 75     |            |        | ns   |
| VREFHI                                                               | External Reference               | 2.4    | 2.5 or 3.0 | VDDA   | V    |
| VREFHI <sup>(2)</sup>                                                | Internal Reference = 3.3V Range  |        | 1.65       |        | V    |
|                                                                      | Internal Reference = 2.5V Range  |        | 2.5        |        | V    |
| VREFLO                                                               |                                  | VSSA   |            | VSSA   | V    |
| Conversion range                                                     | Internal Reference = 3.3 V Range | 0      |            | 3.3    | V    |
|                                                                      | Internal Reference = 2.5 V Range | 0      |            | 2.5    | V    |
|                                                                      | External Reference               | VREFLO |            | VREFHI | V    |

(1) The sample window must also be at least as long as 1 ADCCLK cycle for correct ADC operation.

(2) In internal reference mode, the reference voltage is driven out of the VREFHI pin by the device. The user should not drive a voltage into the pin in this mode.

#### 6.17.2.2.2 ADC Operating Conditions 12-bit Differential

over operating free-air temperature range (unless otherwise noted)

| PARAMETER                                                            | TEST CONDITIONS                 | MIN  | TYP        | MAX  | UNIT |
|----------------------------------------------------------------------|---------------------------------|------|------------|------|------|
| ADCCLK (derived from PERx.SYSCLK)                                    |                                 | 5    |            | 60   | MHz  |
| Sample rate <sup>(3)</sup>                                           | 200-MHz SYSCLK                  |      |            | 3.7  | MSPS |
| Sample window duration (set by ACQPS and PERx.SYSCLK) <sup>(1)</sup> | With 50 $\Omega$ or less $R_s$  | 75   |            |      | ns   |
| VREFHI                                                               | External Reference              | 2.4  | 2.5 or 3.0 | VDDA | V    |
| VREFHI <sup>(2)</sup>                                                | Internal Reference = 3.3V Range |      | 1.65       |      | V    |
|                                                                      | Internal Reference = 2.5V Range |      | 2.5        |      | V    |
| VREFLO                                                               |                                 | VSSA |            | VSSA | V    |

### 6.17.2.2.2 ADC Operating Conditions 12-bit Differential (continued)

over operating free-air temperature range (unless otherwise noted)

| PARAMETER        | TEST CONDITIONS                  | MIN    | TYP | MAX    | UNIT |
|------------------|----------------------------------|--------|-----|--------|------|
| Conversion range | Internal Reference = 3.3 V Range | 0      |     | 3.3    | V    |
|                  | Internal Reference = 2.5 V Range | 0      |     | 2.5    | V    |
|                  | External Reference               | VREFLO |     | VREFHI | V    |

- (1) The sample window must also be at least as long as 1 ADCCLK cycle for correct ADC operation.
- (2) In internal reference mode, the reference voltage is driven out of the VREFHI pin by the device. The user should not drive a voltage into the pin in this mode.

### 6.17.2.2.3 ADC Operating Conditions 16-bit Single-Ended

over operating free-air temperature range (unless otherwise noted)

| PARAMETER                                                            | TEST CONDITIONS                  | MIN    | TYP        | MAX    | UNIT |
|----------------------------------------------------------------------|----------------------------------|--------|------------|--------|------|
| ADCCLK (derived from PERx.SYSCLK)                                    |                                  | 5      |            | 60     | MHz  |
| Sample rate                                                          | 200-MHz SYSCLK                   |        |            | 1.1    | MSPS |
| Sample window duration (set by ACQPS and PERx.SYSCLK) <sup>(1)</sup> | With 50 Ω or less R <sub>s</sub> | 320    |            |        | ns   |
| VREFHI                                                               | External Reference               | 2.4    | 2.5 or 3.0 | VDDA   | V    |
| VREFHI <sup>(2)</sup>                                                | Internal Reference = 3.3V Range  |        | 1.65       |        | V    |
|                                                                      | Internal Reference = 2.5V Range  |        | 2.5        |        | V    |
| VREFLO                                                               |                                  | VSSA   |            | VSSA   | V    |
| Conversion range                                                     | Internal Reference = 3.3 V Range | 0      |            | 3.3    | V    |
|                                                                      | Internal Reference = 2.5 V Range | 0      |            | 2.5    | V    |
|                                                                      | External Reference               | VREFLO |            | VREFHI | V    |

- (1) The sample window must also be at least as long as 1 ADCCLK cycle for correct ADC operation.
- (2) In internal reference mode, the reference voltage is driven out of the VREFHI pin by the device. The user should not drive a voltage into the pin in this mode.

### 6.17.2.2.4 ADC Operating Conditions 16-bit Differential

over operating free-air temperature range (unless otherwise noted)

| PARAMETER                                                            | TEST CONDITIONS                  | MIN    | TYP        | MAX    | UNIT |
|----------------------------------------------------------------------|----------------------------------|--------|------------|--------|------|
| ADCCLK (derived from PERx.SYSCLK)                                    |                                  | 5      |            | 60     | MHz  |
| Sample rate                                                          | 200-MHz SYSCLK                   |        |            | 1.1    | MSPS |
| Sample window duration (set by ACQPS and PERx.SYSCLK) <sup>(1)</sup> | With 50 Ω or less R <sub>s</sub> | 320    |            |        | ns   |
| VREFHI                                                               | External Reference               | 2.4    | 2.5 or 3.0 | VDDA   | V    |
| VREFHI <sup>(2)</sup>                                                | Internal Reference = 3.3V Range  |        | 1.65       |        | V    |
|                                                                      | Internal Reference = 2.5V Range  |        | 2.5        |        | V    |
| VREFLO                                                               |                                  | VSSA   |            | VSSA   | V    |
| Conversion range                                                     | Internal Reference = 3.3 V Range | 0      |            | 3.3    | V    |
|                                                                      | Internal Reference = 2.5 V Range | 0      |            | 2.5    | V    |
|                                                                      | External Reference               | VREFLO |            | VREFHI | V    |

- (1) The sample window must also be at least as long as 1 ADCCLK cycle for correct ADC operation.
- (2) In internal reference mode, the reference voltage is driven out of the VREFHI pin by the device. The user should not drive a voltage into the pin in this mode.

### 6.17.2.2.5 ADC Timing Requirements

|                        |                                   | MIN | MAX | UNIT |
|------------------------|-----------------------------------|-----|-----|------|
| $t_{su}(ADCCHSEL-SOC)$ | ADCCHSEL valid before ADCSOC high | 0.5 |     | ns   |
| $t_{su}(ADCSOC)$       | ADCSOC low before ADCCLK high     | 1   |     | ns   |
| $t_w(ADCCLK)$          | Width of ADCCLK                   | 0.8 |     | ns   |
| $t_w(ADCSOC)$          | Width of ADCSOC                   | 0.6 |     | ns   |

### 6.17.2.2.6 ADC Characteristics 12-bit Single-Ended

over operating free-air temperature range (unless otherwise noted)

| PARAMETER                                         | TEST CONDITIONS                                                                        | MIN  | TYP  | MAX  | UNIT    |
|---------------------------------------------------|----------------------------------------------------------------------------------------|------|------|------|---------|
| <b>General</b>                                    |                                                                                        |      |      |      |         |
| ADCCLK Conversion Cycles                          | 200-MHz SYSCLK                                                                         | 10.1 |      | 11   | ADCCLKs |
| Power Up Time                                     | External Reference mode                                                                |      |      | 500  | μs      |
|                                                   | Internal Reference mode                                                                |      |      | 5000 | μs      |
|                                                   | Internal Reference mode, when switching between 2.5-V range and 3.3-V range.           |      |      | 5000 | μs      |
| VREFHI input current <sup>(1)</sup>               | ADC modules A and B                                                                    |      | 250  |      | μA      |
|                                                   | ADC modules C,D and E                                                                  |      | 130  |      | μA      |
| Internal Reference Capacitor Value <sup>(2)</sup> |                                                                                        | 2.2  |      |      | μF      |
| External Reference Capacitor Value <sup>(2)</sup> |                                                                                        | 2.2  |      |      | μF      |
| <b>DC Characteristics</b>                         |                                                                                        |      |      |      |         |
| Gain Error                                        | Internal reference                                                                     | -45  |      | 45   | LSB     |
|                                                   | External reference                                                                     | -5   | ±3   | 5    |         |
| Offset Error                                      |                                                                                        | -5   | ±2   | 5    | LSB     |
| Channel-to-Channel Gain Error <sup>(4)</sup>      |                                                                                        |      | ±2   |      | LSB     |
| Channel-to-Channel Offset Error <sup>(4)</sup>    |                                                                                        |      | ±2   |      | LSB     |
| ADC-to-ADC Gain Error <sup>(5)</sup>              | Identical VREFHI and VREFLO for all ADCs                                               |      | ±4   |      | LSB     |
| ADC-to-ADC Offset Error <sup>(5)</sup>            | Identical VREFHI and VREFLO for all ADCs                                               |      | ±2   |      | LSB     |
| DNL Error                                         |                                                                                        | >-1  | ±0.5 | 1    | LSB     |
| INL Error                                         |                                                                                        | -2   | ±1.0 | 2    | LSB     |
| ADC-to-ADC Isolation                              | VREFHI = 2.5 V, synchronous ADCs                                                       | -1   |      | 1    | LSBs    |
| <b>AC Characteristics</b>                         |                                                                                        |      |      |      |         |
| SNR <sup>(3)</sup>                                | VREFHI = 2.5 V, fin = 100 kHz, SYSCLK from X1 via PLL                                  |      | 69.1 |      | dB      |
|                                                   | VREFHI = 2.5 V, fin = 100 kHz, SYSCLK from INTOSC via PLL                              |      | 69.1 |      |         |
| THD <sup>(3)</sup>                                | VREFHI = 2.5 V, fin = 100 kHz, SYSCLK from X1 via PLL                                  |      | -88  |      | dB      |
| SFDR <sup>(3)</sup>                               | VREFHI = 2.5 V, fin = 100 kHz, SYSCLK from X1 via PLL                                  |      | 89   |      | dB      |
| SINAD <sup>(3)</sup>                              | VREFHI = 2.5 V, fin = 100 kHz, SYSCLK from X1                                          |      | 69.0 |      | dB      |
|                                                   | VREFHI = 2.5 V, fin = 100 kHz, SYSCLK from INTOSC                                      |      | 69.0 |      |         |
| ENOB <sup>(3)</sup>                               | VREFHI = 2.5 V, fin = 100 kHz, SYSCLK from X1, Single ADC                              |      | 11.2 |      | bits    |
|                                                   | VREFHI = 2.5 V, fin = 100 kHz, SYSCLK from X1, synchronous ADCs                        |      | 11.2 |      |         |
|                                                   | VREFHI = 2.5 V, fin = 100 kHz, SYSCLK from X1, asynchronous ADCs, 256-ball ZEJ package |      | 10.9 |      |         |
|                                                   | VREFHI = 2.5 V, fin = 100 kHz, SYSCLK from X1, asynchronous ADCs, 169-ball NMR package |      | 10.9 |      |         |
|                                                   | VREFHI = 2.5 V, fin = 100 kHz, SYSCLK from X1, asynchronous ADCs, 176-pin PTP package  |      | 9.7  |      |         |
|                                                   | VREFHI = 2.5 V, fin = 100 kHz, SYSCLK from X1, asynchronous ADCs, 100-pin PZP package  |      | 9.7  |      |         |

### 6.17.2.2.6 ADC Characteristics 12-bit Single-Ended (continued)

over operating free-air temperature range (unless otherwise noted)

| PARAMETER | TEST CONDITIONS                                    | MIN | TYP | MAX | UNIT |
|-----------|----------------------------------------------------|-----|-----|-----|------|
| PSRR      | VDD + 100mV<br>DC up to Sine at 1 kHz              |     | 60  |     | dB   |
|           | VDD + 100 mV<br>DC up to Sine at 300 kHz           |     | 57  |     |      |
|           | VDDA = 3.3-V DC + 200 mV<br>DC up to Sine at 1 kHz |     | 60  |     |      |
|           | VDDA = 3.3-V DC + 200 mV<br>Sine at 900 kHz        |     | 57  |     |      |

- (1) Load current on VREFHI increases when ADC input is greater than VDDA. This causes inaccurate conversions.
- (2) A ceramic capacitor with package size of 0805 or smaller is preferred. Up to ±20% tolerance is acceptable.
- (3) IO activity is minimized on pins adjacent to ADC input and VREFHI pins as part of best practices to reduce capacitive coupling and crosstalk.
- (4) Variation across all channels belonging to the same ADC module.
- (5) Worst case variation compared to other ADC modules.

### 6.17.2.2.7 ADC Characteristics 12-bit Differential

over operating free-air temperature range (unless otherwise noted)

| PARAMETER                                         | TEST CONDITIONS                                                              | MIN  | TYP   | MAX  | UNIT    |
|---------------------------------------------------|------------------------------------------------------------------------------|------|-------|------|---------|
| <b>General</b>                                    |                                                                              |      |       |      |         |
| ADCCLK Conversion Cycles                          | 200-MHz SYSCLK                                                               | 10.1 |       | 11   | ADCCLKs |
| Power Up Time                                     | External Reference mode                                                      |      |       | 500  | µs      |
|                                                   | Internal Reference mode                                                      |      |       | 5000 | µs      |
|                                                   | Internal Reference mode, when switching between 2.5-V range and 3.3-V range. |      |       | 5000 | µs      |
| VREFHI input current <sup>(1)</sup>               | ADC modules A and B                                                          |      | 360   |      | µA      |
|                                                   | ADC modules C,D and E                                                        |      | 130   |      | µA      |
| Internal Reference Capacitor Value <sup>(2)</sup> |                                                                              | 2.2  |       |      | µF      |
| External Reference Capacitor Value <sup>(2)</sup> |                                                                              | 2.2  |       |      | µF      |
| <b>DC Characteristics</b>                         |                                                                              |      |       |      |         |
| Gain Error                                        | Internal reference                                                           | -45  |       | 45   | LSB     |
|                                                   | External reference                                                           | -5   | ±3    | 5    |         |
| Offset Error                                      |                                                                              | -5   | ±2    | 5    | LSB     |
| Channel-to-Channel Gain Error <sup>(4)</sup>      |                                                                              |      | 2     |      | LSB     |
| Channel-to-Channel Offset Error <sup>(4)</sup>    |                                                                              |      | 2     |      | LSB     |
| ADC-to-ADC Gain Error <sup>(5)</sup>              | Identical VREFHI and VREFLO for all ADCs                                     |      | 4     |      | LSB     |
| ADC-to-ADC Offset Error <sup>(5)</sup>            | Identical VREFHI and VREFLO for all ADCs                                     |      | 2     |      | LSB     |
| DNL Error                                         |                                                                              | >-1  | ±0.5  | 1    | LSB     |
| INL Error                                         |                                                                              | -2   | ±1.0  | 2    | LSB     |
| ADC-to-ADC Isolation                              | VREFHI = 2.5 V, synchronous ADCs                                             | -1   |       | 1    | LSBs    |
| <b>AC Characteristics</b>                         |                                                                              |      |       |      |         |
| SNR <sup>(3)</sup>                                | VREFHI = 2.5 V, fin = 100 kHz, SYSCLK from X1                                |      | 68.8  |      | dB      |
|                                                   | VREFHI = 2.5 V, fin = 100 kHz, SYSCLK from INTOSC                            |      | 60.1  |      |         |
| THD <sup>(3)</sup>                                | VREFHI = 2.5 V, fin = 100 kHz                                                |      | -80.6 |      | dB      |
| SFDR <sup>(3)</sup>                               | VREFHI = 2.5 V, fin = 100 kHz                                                |      | 79.2  |      | dB      |

### 6.17.2.2.7 ADC Characteristics 12-bit Differential (continued)

over operating free-air temperature range (unless otherwise noted)

| PARAMETER            | TEST CONDITIONS                                                  | MIN | TYP           | MAX | UNIT |
|----------------------|------------------------------------------------------------------|-----|---------------|-----|------|
| SINAD <sup>(3)</sup> | VREFHI = 2.5 V, fin = 100 kHz, SYSCLK from X1                    |     | 68.5          |     | dB   |
|                      | VREFHI = 2.5 V, fin = 100 kHz, SYSCLK from INTOSC                |     | 60.0          |     |      |
| ENOB <sup>(3)</sup>  | VREFHI = 2.5 V, fin = 100 kHz, SYSCLK from X1, Single ADC        |     | 11.0          |     | bits |
|                      | VREFHI = 2.5 V, fin = 100 kHz, SYSCLK from X1, synchronous ADCs  |     | 11.0          |     |      |
|                      | VREFHI = 2.5 V, fin = 100 kHz, SYSCLK from X1, asynchronous ADCs |     | Not Supported |     |      |
| PSRR                 | VDD + 100mV<br>DC up to Sine at 1 kHz                            |     | 60            |     | dB   |
|                      | VDD + 100 mV<br>DC up to Sine at 300 kHz                         |     | 57            |     |      |
|                      | VDDA = 3.3-V DC + 200 mV<br>DC up to Sine at 1 kHz               |     | 60            |     |      |
|                      | VDDA = 3.3-V DC + 200 mV<br>Sine at 900 kHz                      |     | 57            |     |      |

- (1) Load current on VREFHI increases when ADC input is greater than VDDA. This causes inaccurate conversions.
- (2) A ceramic capacitor with package size of 0805 or smaller is preferred. Up to ±20% tolerance is acceptable.
- (3) IO activity is minimized on pins adjacent to ADC input and VREFHI pins as part of best practices to reduce capacitive coupling and crosstalk.
- (4) Variation across all channels belonging to the same ADC module.
- (5) Worst case variation compared to other ADC modules.

### 6.17.2.2.8 ADC Characteristics 16-bit Single-Ended

over operating free-air temperature range (unless otherwise noted)

| PARAMETER                                         | TEST CONDITIONS                                                              | MIN  | TYP | MAX  | UNIT    |
|---------------------------------------------------|------------------------------------------------------------------------------|------|-----|------|---------|
| <b>General</b>                                    |                                                                              |      |     |      |         |
| ADCCLK Conversion Cycles                          | 200-MHz SYSCLK                                                               | 29.6 |     | 31   | ADCCLKs |
| Power Up Time                                     | External Reference mode                                                      |      |     | 500  | µs      |
|                                                   | Internal Reference mode                                                      |      |     | 5000 | µs      |
|                                                   | Internal Reference mode, when switching between 2.5-V range and 3.3-V range. |      |     | 5000 | µs      |
| VREFHI input current <sup>(1)</sup>               | ADC modules A and B                                                          |      | 250 |      | µA      |
|                                                   | ADC modules C,D and E                                                        |      | 190 |      | µA      |
| Internal Reference Capacitor Value <sup>(2)</sup> |                                                                              | 4.7  | 22  |      | µF      |
| External Reference Capacitor Value <sup>(2)</sup> |                                                                              | 4.7  | 22  |      | µF      |
| <b>DC Characteristics</b>                         |                                                                              |      |     |      |         |
| Gain Error                                        | Internal reference 2.5V                                                      | -720 |     | 720  | LSB     |
|                                                   | External reference                                                           | -64  | ±20 | 64   | LSB     |
| Offset Error                                      | (Across temperature) Internal reference 2.5V                                 | -16  | ±6  | 16   | LSB     |
| Offset Error                                      |                                                                              | -16  | ±6  | 16   | LSB     |
| Channel-to-Channel Gain Error <sup>(4)</sup>      |                                                                              |      | ±6  |      | LSB     |
| Channel-to-Channel Offset Error <sup>(4)</sup>    |                                                                              |      | ±6  |      | LSB     |
| ADC-to-ADC Gain Error <sup>(5)</sup>              | Identical VREFHI and VREFLO for all ADCs                                     |      | ±6  |      | LSB     |
| ADC-to-ADC Offset Error <sup>(5)</sup>            | Identical VREFHI and VREFLO for all ADCs                                     |      | ±6  |      | LSB     |

### 6.17.2.2.8 ADC Characteristics 16-bit Single-Ended (continued)

over operating free-air temperature range (unless otherwise noted)

| PARAMETER                 | TEST CONDITIONS                                                  | MIN | TYP           | MAX | UNIT |
|---------------------------|------------------------------------------------------------------|-----|---------------|-----|------|
| DNL Error                 |                                                                  | >−1 | ±0.5          | 1   | LSB  |
| INL Error                 |                                                                  | −6  | ±1.5          | 6   | LSB  |
| ADC-to-ADC Isolation      | VREFHI = 2.5 V, synchronous ADCs                                 | −2  |               | 2   | LSBs |
| <b>AC Characteristics</b> |                                                                  |     |               |     |      |
| SNR <sup>(3)</sup>        | VREFHI = 2.5 V, fin = 100 kHz, SYSCLK from X1                    |     | 83.5          |     | dB   |
|                           | VREFHI = 2.5 V, fin = 100 kHz, SYSCLK from INTOSC                |     | 78.2          |     |      |
| THD <sup>(3)</sup>        | VREFHI = 2.5 V, fin = 100 kHz                                    |     | −94           |     | dB   |
| SFDR <sup>(3)</sup>       | VREFHI = 2.5 V, fin = 100 kHz                                    |     | 93            |     | dB   |
| SINAD <sup>(3)</sup>      | VREFHI = 2.5 V, fin = 100 kHz, SYSCLK from X1                    |     | 83.4          |     | dB   |
|                           | VREFHI = 2.5 V, fin = 100 kHz, SYSCLK from INTOSC                |     | 76.0          |     |      |
| ENOB <sup>(3)</sup>       | VREFHI = 2.5 V, fin = 100 kHz, SYSCLK from X1, Single ADC        |     | 13.5          |     | bits |
|                           | VREFHI = 2.5 V, fin = 100 kHz, SYSCLK from X1, synchronous ADCs  |     | 13.5          |     |      |
|                           | VREFHI = 2.5 V, fin = 100 kHz, SYSCLK from X1, asynchronous ADCs |     | Not Supported |     |      |
| PSRR                      | VDD + 100mV<br>DC up to Sine at 1 kHz                            |     | 77            |     | dB   |
|                           | VDD + 100 mV<br>DC up to Sine at 800 kHz                         |     | 74            |     |      |
|                           | VDDA = 3.3-V DC + 200 mV<br>DC up to Sine at 1 kHz               |     | 77            |     |      |
|                           | VDDA = 3.3-V DC + 200 mV<br>Sine at 800 kHz                      |     | 74            |     |      |

- (1) Load current on VREFHI increases when ADC input is greater than VDDA. This causes inaccurate conversions.
- (2) A ceramic capacitor with package size of 0805 or smaller is preferred. Up to ±20% tolerance is acceptable. In external reference mode, capacitance is dependent on reference IC buffer output requirements.
- (3) IO activity is minimized on pins adjacent to ADC input and VREFHI pins as part of best practices to reduce capacitive coupling and crosstalk.
- (4) Variation across all channels belonging to the same ADC module.
- (5) Worst case variation compared to other ADC modules.

### 6.17.2.2.9 ADC Characteristics 16-bit Differential

over operating free-air temperature range (unless otherwise noted)

| PARAMETER                                         | TEST CONDITIONS                                                              | MIN  | TYP | MAX  | UNIT    |
|---------------------------------------------------|------------------------------------------------------------------------------|------|-----|------|---------|
| <b>General</b>                                    |                                                                              |      |     |      |         |
| ADCCLK Conversion Cycles                          | 200-MHz SYSCLK                                                               | 29.6 |     | 31   | ADCCLKs |
| Power Up Time                                     | External Reference mode                                                      |      |     | 500  | μs      |
|                                                   | Internal Reference mode                                                      |      |     | 5000 | μs      |
|                                                   | Internal Reference mode, when switching between 2.5-V range and 3.3-V range. |      |     | 5000 | μs      |
| VREFHI input current <sup>(1)</sup>               | ADC modules A and B                                                          |      | 360 |      | μA      |
|                                                   | ADC modules C,D and E                                                        |      | 190 |      | μA      |
| Internal Reference Capacitor Value <sup>(2)</sup> |                                                                              | 4.7  | 22  |      | μF      |
| External Reference Capacitor Value <sup>(2)</sup> |                                                                              | 4.7  | 22  |      | μF      |

**6.17.2.2.9 ADC Characteristics 16-bit Differential (continued)**

over operating free-air temperature range (unless otherwise noted)

| PARAMETER                                      | TEST CONDITIONS                                                  | MIN  | TYP           | MAX | UNIT |
|------------------------------------------------|------------------------------------------------------------------|------|---------------|-----|------|
| <b>DC Characteristics</b>                      |                                                                  |      |               |     |      |
| Gain Error                                     | Internal reference 2.5V                                          | -720 |               | 720 | LSB  |
|                                                | External reference                                               | -64  | ±9            | 64  | LSB  |
| Offset Error                                   | (Across temperature) Internal reference 2.5V                     | -6   | ±4            | 6   | LSB  |
| Offset Error                                   |                                                                  | -6   | ±4            | 6   | LSB  |
| Channel-to-Channel Gain Error <sup>(4)</sup>   |                                                                  |      | ±6            |     | LSB  |
| Channel-to-Channel Offset Error <sup>(4)</sup> |                                                                  |      | ±3            |     | LSB  |
| ADC-to-ADC Gain Error <sup>(5)</sup>           | Identical VREFHI and VREFLO for all ADCs                         |      | ±6            |     | LSB  |
| ADC-to-ADC Offset Error <sup>(5)</sup>         | Identical VREFHI and VREFLO for all ADCs                         |      | ±3            |     | LSB  |
| DNL Error                                      |                                                                  | >-1  | ±0.5          | 1   | LSB  |
| INL Error                                      |                                                                  | -3.5 | ±1.0          | 3.5 | LSB  |
| ADC-to-ADC Isolation                           | VREFHI = 2.5 V, synchronous ADCs                                 | -2   |               | 2   | LSBs |
| ADC-to-ADC Isolation                           | VREFHI = 2.5 V, asynchronous ADCs                                |      | not supported |     | dB   |
| <b>AC Characteristics</b>                      |                                                                  |      |               |     |      |
| SNR <sup>(3)</sup>                             | VREFHI = 2.5 V, fin = 100 kHz, SYSCLK from X1                    |      | 89.8          |     | dB   |
|                                                | VREFHI = 2.5 V, fin = 100 kHz, SYSCLK from INTOSC                |      | 66.3          |     |      |
| THD <sup>(3)</sup>                             | VREFHI = 2.5 V, fin = 100 kHz                                    |      | -98           |     | dB   |
| SFDR <sup>(3)</sup>                            | VREFHI = 2.5 V, fin = 100 kHz                                    |      | 99            |     | dB   |
| SINAD <sup>(3)</sup>                           | VREFHI = 2.5 V, fin = 100 kHz, SYSCLK from X1                    |      | 89.2          |     | dB   |
|                                                | VREFHI = 2.5 V, fin = 100 kHz, SYSCLK from INTOSC                |      | 66.1          |     |      |
| ENOB <sup>(3)</sup>                            | VREFHI = 2.5 V, fin = 100 kHz, SYSCLK from X1, Single ADC        |      | 14.52         |     | bits |
|                                                | VREFHI = 2.5 V, fin = 100 kHz, SYSCLK from X1, synchronous ADCs  |      | 14.52         |     |      |
|                                                | VREFHI = 2.5 V, fin = 100 kHz, SYSCLK from X1, asynchronous ADCs |      | Not Supported |     |      |
| PSRR                                           | VDD + 100mV<br>DC up to Sine at 1 kHz                            |      | 77            |     | dB   |
|                                                | VDD + 100 mV<br>DC up to Sine at 300 kHz                         |      | 74            |     |      |
|                                                | VDDA = 3.3-V DC + 200 mV<br>DC up to Sine at 1 kHz               |      | 77            |     |      |
|                                                | VDDA = 3.3-V DC + 200 mV<br>Sine at 900 kHz                      |      | 74            |     |      |

- (1) Load current on VREFHI increases when ADC input is greater than VDDA. This causes inaccurate conversions.
- (2) A ceramic capacitor with package size of 0805 or smaller is preferred. Up to ±20% tolerance is acceptable. In external reference mode, capacitance is dependent on reference IC buffer output requirement.
- (3) IO activity is minimized on pins adjacent to ADC input and VREFHI pins as part of best practices to reduce capacitive coupling and crosstalk.
- (4) Variation across all channels belonging to the same ADC module.
- (5) Worst case variation compared to other ADC modules.

6.17.2.2.10 ADC INL and DNL

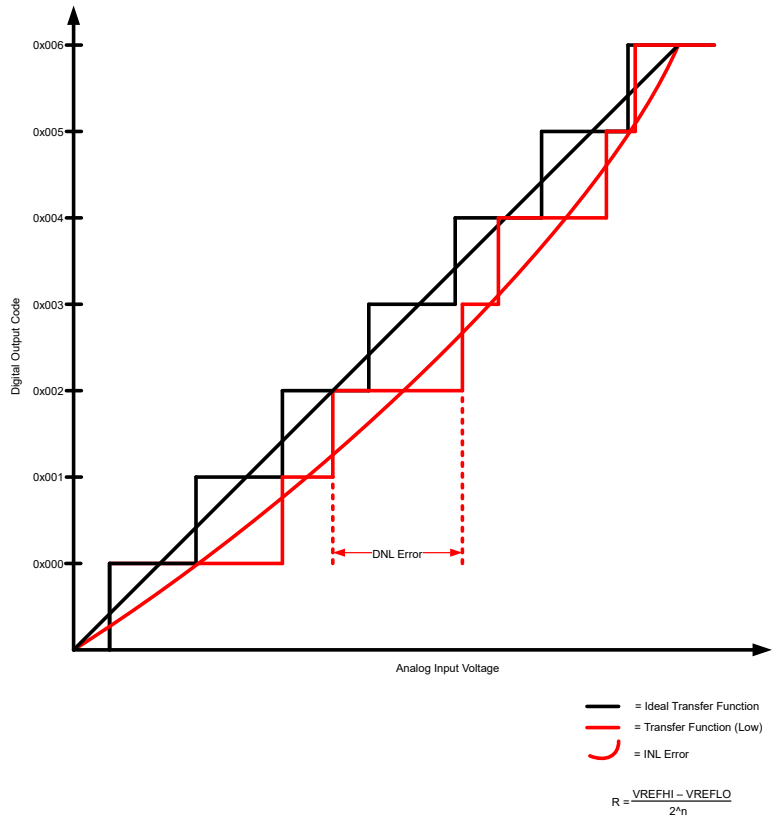


Figure 6-38. ADC INL and DNL

6.17.2.2.11 ADC Performance Per Pin

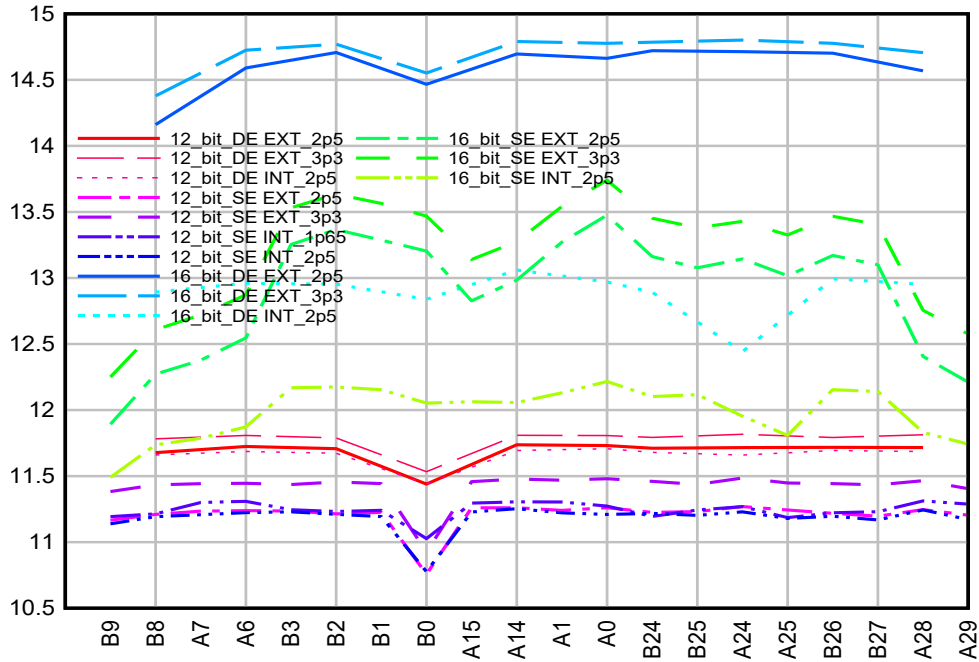


Figure 6-39. Per-Channel ENOB for 100-pin PZS — ADC Channels A and B

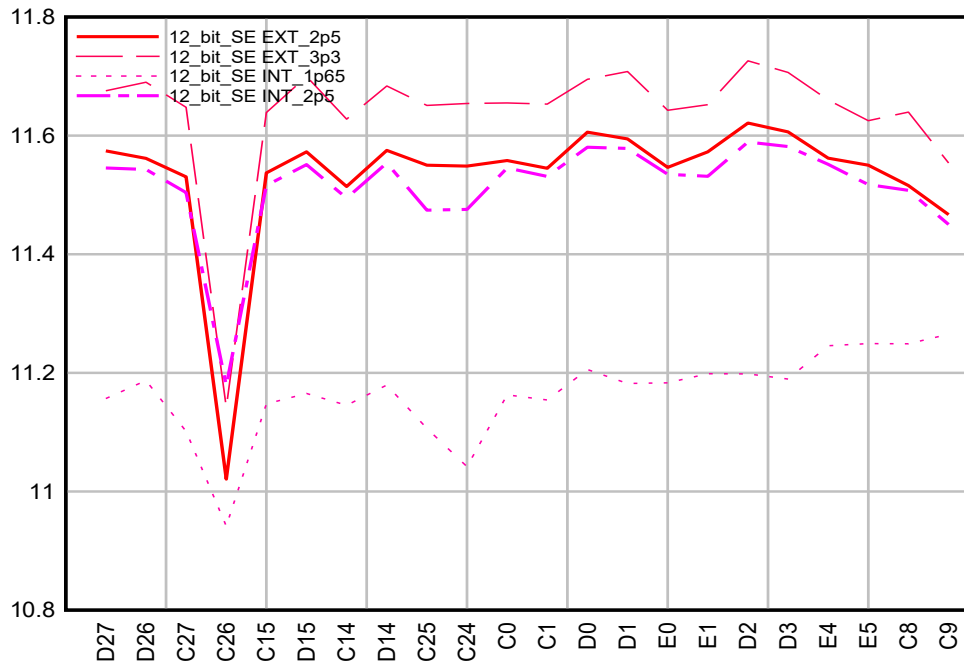


Figure 6-40. Per-Channel ENOB for 100-pin PZS — ADC Channels C, D, and E

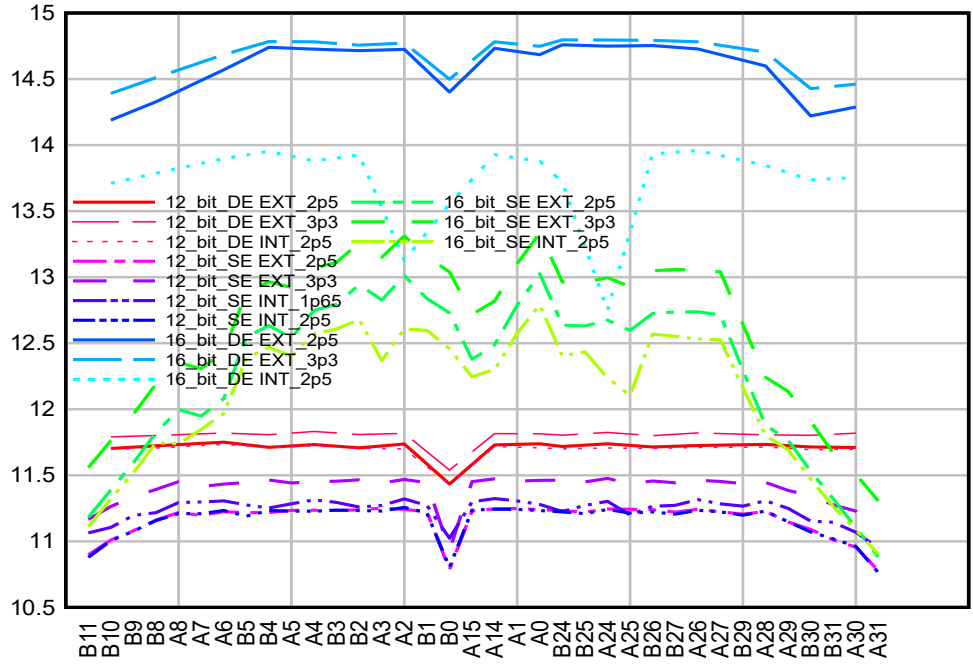


Figure 6-41. Per-Channel ENOB for 144-pin RFS — ADC Channels A and B

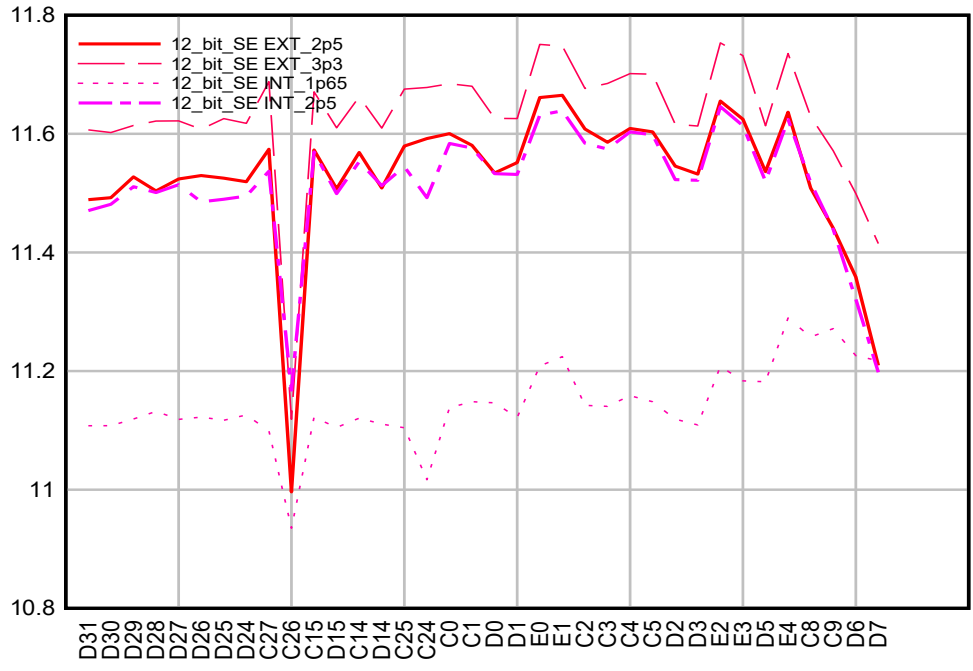
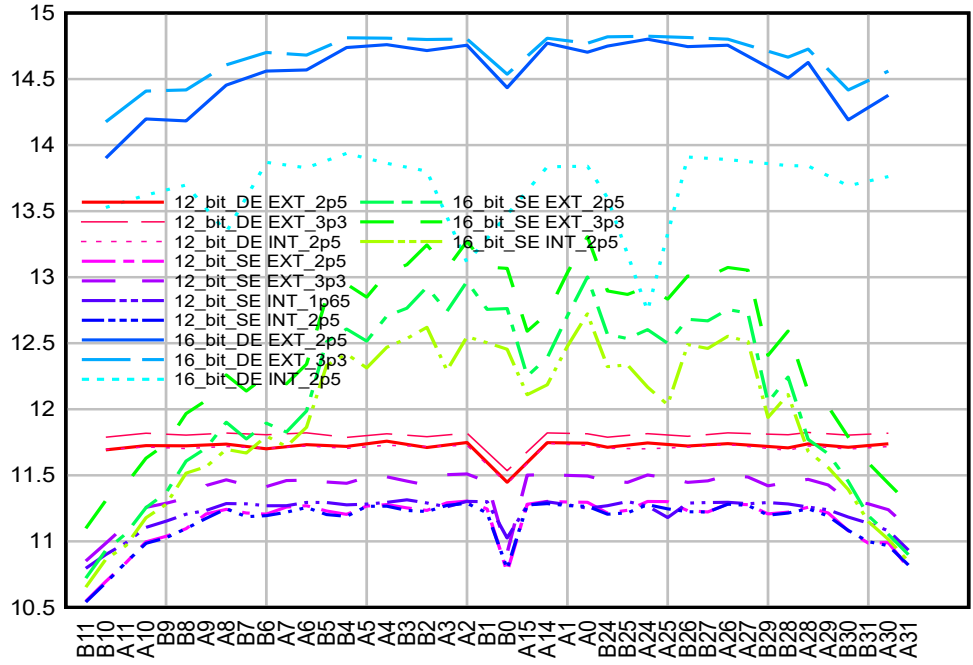
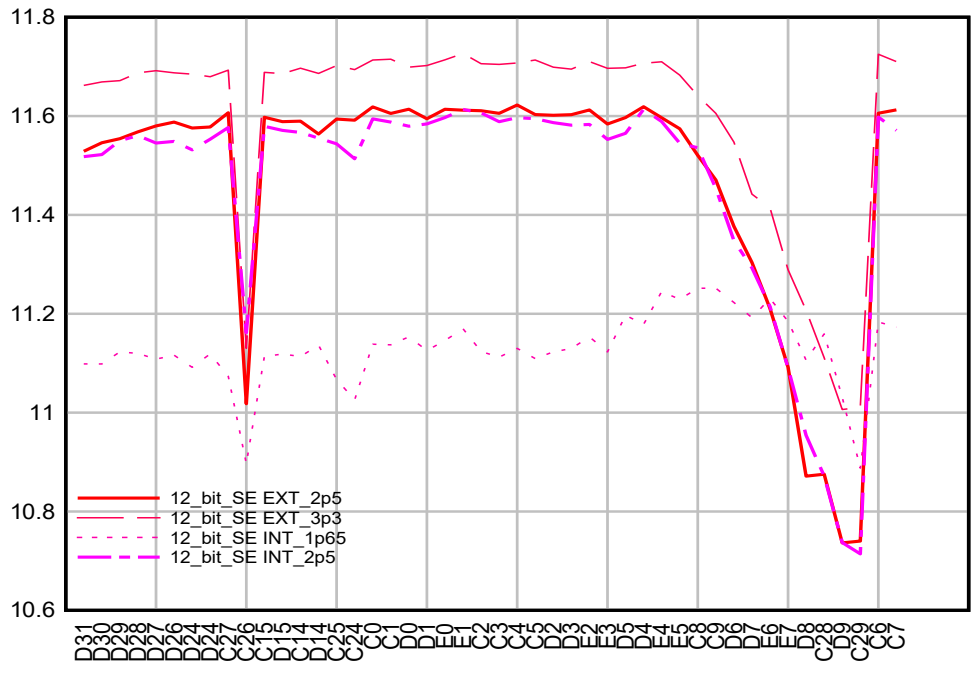


Figure 6-42. Per-Channel ENOB for 144-pin RFS — ADC Channels C, D, and E



**Figure 6-43. Per-Channel ENOB for 176-pin PTS — ADC Channels A and B**



**Figure 6-44. Per-Channel ENOB for 176-pin PTS — ADC Channels C, D, and E**

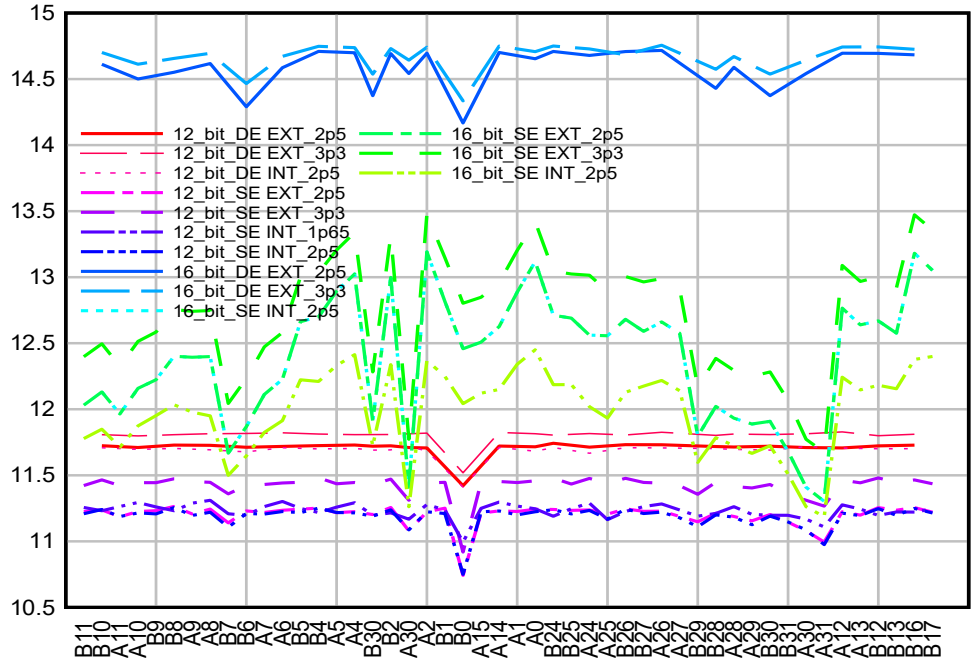


Figure 6-45. Per-Channel ENOB for 256-pin ZEX — ADC Channels A and B

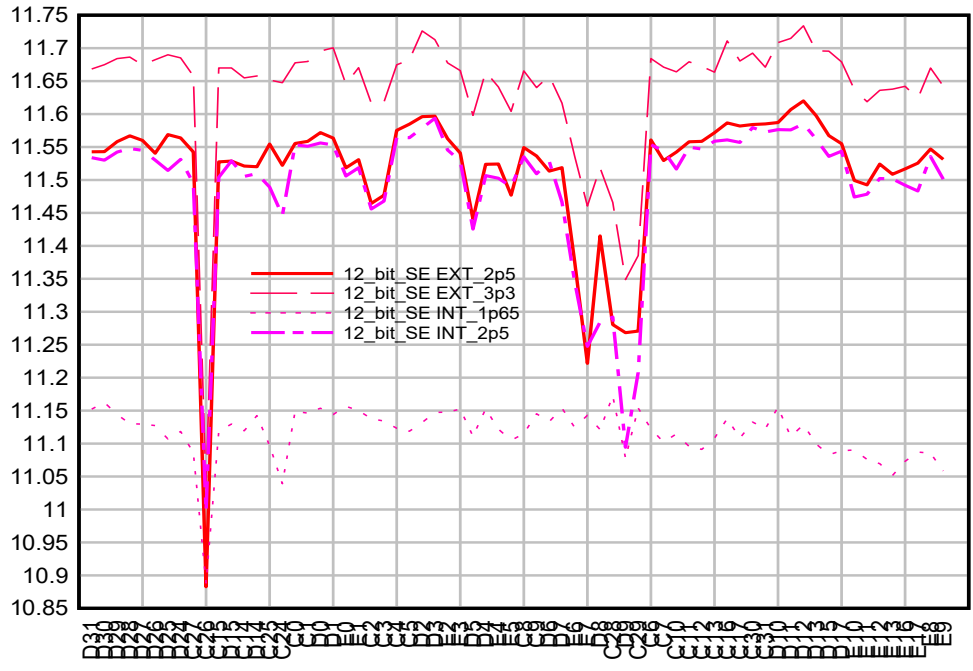


Figure 6-46. Per-Channel ENOB for 256-pin ZEX — ADC Channels C, D, and E

### 6.17.2.2.12 ADC Input Models

The ADC input characteristics are given by [Table 6-15](#) and [Figure 6-47](#) for Type 5 12-bit ADC.

The ADC input characteristics are given by [Table 6-16](#), [Table 6-17](#), [Figure 6-47](#), and [Figure 6-48](#) for Type 4 12-bit/16-bit ADC.

**Table 6-15. Input Model Parameters for 12-bit ADC (ADC CDE)**

|          | DESCRIPTION                 | REFERENCE MODE                               | VALUE                                               |
|----------|-----------------------------|----------------------------------------------|-----------------------------------------------------|
| $C_p$    | Parasitic input capacitance | All                                          | See <a href="#">Table 6-20</a> (channels Cx,Dx,Ex). |
| $R_{on}$ | Sampling switch resistance  | External Reference, 2.5-V Internal Reference | 500 $\Omega$                                        |
|          |                             | 3.3-V Internal Reference                     | 860 $\Omega$                                        |
| $C_h$    | Sampling capacitor          | External Reference, 2.5-V Internal Reference | 12.5 pF                                             |
|          |                             | 3.3-V Internal Reference                     | 7.5 pF                                              |
| $R_s$    | Nominal source impedance    | All                                          | 50 $\Omega$                                         |

**Table 6-16. Single-Ended Input Model Parameters (12-bit Resolution) for 12-bit/16-bit ADC (ADC AB)**

|          | DESCRIPTION                 | VALUE                                           |
|----------|-----------------------------|-------------------------------------------------|
| $C_p$    | Parasitic input capacitance | See <a href="#">Table 6-20</a> (channels Ax,Bx) |
| $R_{on}$ | Sampling switch resistance  | 425 $\Omega$                                    |
| $C_h$    | Sampling capacitor          | 14.5 pF                                         |
| $R_s$    | Nominal source impedance    | 50 $\Omega$                                     |

**Table 6-17. Single-Ended Input Model Parameters (16-bit Resolution) for 12-bit/16-bit ADC (ADC AB)**

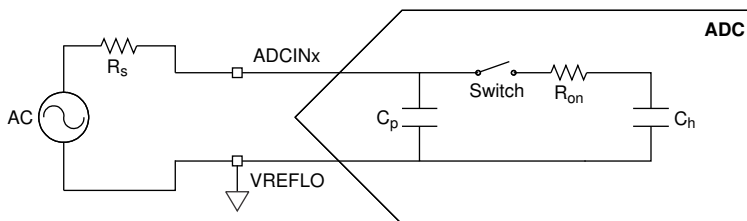
|          | DESCRIPTION                 | VALUE                                            |
|----------|-----------------------------|--------------------------------------------------|
| $C_p$    | Parasitic input capacitance | See <a href="#">Table 6-20</a> (channels Ax,Bx). |
| $R_{on}$ | Sampling switch resistance  | 425 $\Omega$                                     |
| $C_h$    | Sampling capacitor          | 32.5 pF                                          |
| $R_s$    | Nominal source impedance    | 50 $\Omega$                                      |

**Table 6-18. Differential Input Model Parameters (12-bit Resolution) for 12-bit/16-bit ADC (ADC AB)**

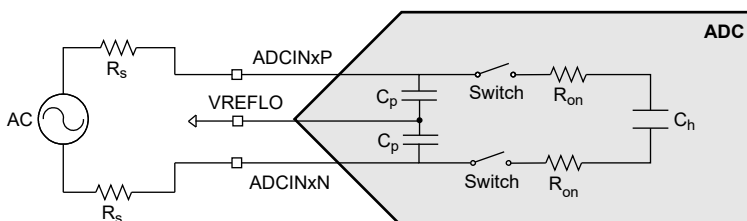
|          | DESCRIPTION                 | VALUE                                            |
|----------|-----------------------------|--------------------------------------------------|
| $C_p$    | Parasitic input capacitance | See <a href="#">Table 6-20</a> (channels Ax,Bx). |
| $R_{on}$ | Sampling switch resistance  | 700 $\Omega$                                     |
| $C_h$    | Sampling capacitor          | 7.5 pF                                           |
| $R_s$    | Nominal source impedance    | 50 $\Omega$                                      |

**Table 6-19. Differential Input Model Parameters (16-bit Resolution) for 12-bit/16-bit ADC (ADC AB)**

|          | DESCRIPTION                 | VALUE                                            |
|----------|-----------------------------|--------------------------------------------------|
| $C_p$    | Parasitic input capacitance | See <a href="#">Table 6-20</a> (channels Ax,Bx). |
| $R_{on}$ | Sampling switch resistance  | 700 $\Omega$                                     |
| $C_h$    | Sampling capacitor          | 16.5 pF                                          |
| $R_s$    | Nominal source impedance    | 50 $\Omega$                                      |



**Figure 6-47. Single-Ended Input Model**



**Figure 6-48. Differential Input Model**

These input models should be used with actual signal source impedance to determine the acquisition window duration. For recommendations on improving ADC input circuits, see the [ADC Input Circuit Evaluation for C2000 MCUs](#) Application Note.

**Table 6-20. Per-Channel Parasitic Capacitance**

| ADC CHANNEL         | C <sub>p</sub> (pF) |                    |
|---------------------|---------------------|--------------------|
|                     | COMPARATOR DISABLED | COMPARATOR ENABLED |
| A0/DACOUT1          | 5.4                 | 6.9                |
| A1                  | 4.1                 | 5.6                |
| A2                  | 4.1                 | 5.6                |
| A3                  | 5.6                 | 7.1                |
| A4                  | 4.2                 | 5.7                |
| A5                  | 4.9                 | 6.4                |
| A6                  | 0.2                 | 1.7                |
| A7                  | 0.3                 | 1.6                |
| A8                  | 0.3                 | 1.8                |
| A9                  | 0.3                 | 1.7                |
| A10                 | 0.3                 | 1.8                |
| A11                 | 0.3                 | 1.8                |
| A12                 | 5.2                 | 6.7                |
| A13                 | 4.9                 | 6.4                |
| A14,B14,C14,D14,E14 | 5.7                 | 7.2                |
| A15,B15,C15,D15,E15 | 5.5                 | 7.0                |
| B0/VDAC             | 27.1                | 28.6               |
| B1                  | 4.0                 | 5.5                |
| B2                  | 4.6                 | 6.1                |
| B3                  | 5.1                 | 6.6                |
| B4                  | 3.5                 | 5.0                |

**Table 6-20. Per-Channel Parasitic Capacitance (continued)**

| ADC CHANNEL | C <sub>p</sub> (pF) |                    |
|-------------|---------------------|--------------------|
|             | COMPARATOR DISABLED | COMPARATOR ENABLED |
| B5          | 4.9                 | 6.4                |
| B6          | 0.3                 | 1.8                |
| B7          | 0.4                 | 1.9                |
| B8          | 0.2                 | 1.7                |
| B9          | 0.3                 | 1.8                |
| B10         | 0.3                 | 1.8                |
| B11         | 0.3                 | 1.8                |
| B12         | 4.9                 | 6.4                |
| B13         | 4.7                 | 6.2                |
| B16         | 5.1                 | 6.6                |
| B17         | 4.1                 | 5.6                |
| C0          | 5.0                 | 6.5                |
| C1          | 4.4                 | 5.9                |
| C2          | 4.9                 | 6.4                |
| C3          | 4.9                 | 6.4                |
| C4          | 2.9                 | 4.4                |
| C5          | 2.7                 | 4.2                |
| C6          | 0.3                 | 1.8                |
| C7          | 0.3                 | 1.8                |
| C8          | 0.3                 | 1.8                |
| C9          | 0.3                 | 1.8                |
| C10         | 3.3                 | 4.8                |
| C11         | 3.1                 | 4.6                |
| C12         | 2.9                 | 4.4                |
| C13         | 3.0                 | 4.4                |
| C16         | 3.1                 | 4.6                |
| C17         | 3.4                 | 4.9                |
| D0          | 3.3                 | 4.8                |
| D1          | 3.3                 | 4.8                |
| D2          | 5.0                 | 6.5                |
| D3          | 5.7                 | 7.2                |
| D4          | 0.2                 | 1.7                |
| D5          | 0.2                 | 1.7                |
| D6          | 0.2                 | 1.7                |
| D7          | 0.5                 | 2.0                |
| D8          | 0.5                 | 2.0                |
| D9          | 0.4                 | 1.9                |
| D10         | 3.8                 | 5.3                |

**Table 6-20. Per-Channel Parasitic Capacitance (continued)**

| ADC CHANNEL | C <sub>p</sub> (pF) |                    |
|-------------|---------------------|--------------------|
|             | COMPARATOR DISABLED | COMPARATOR ENABLED |
| D11         | 3.0                 | 4.5                |
| D12         | 3.3                 | 4.8                |
| D13         | 3.3                 | 4.8                |
| D16         | 2.9                 | 4.4                |
| D17         | 3.1                 | 4.6                |
| E0/DACOUT2  | 6.4                 | 7.9                |
| E1          | 3.3                 | 4.8                |
| E2          | 3.1                 | 4.6                |
| E3          | 3.3                 | 4.8                |
| E4          | 0.3                 | 1.8                |
| E5          | 0.3                 | 1.8                |
| E6          | 0.5                 | 2.0                |
| E7          | 0.4                 | 1.9                |
| E8          | 4.4                 | 5.9                |
| E9          | 3.9                 | 5.4                |
| E10         | 3.4                 | 4.9                |
| E11         | 3.4                 | 4.9                |
| E12         | 3.4                 | 4.9                |
| E13         | 3.6                 | 5.1                |
| E16         | 3.5                 | 5.0                |
| E17         | 3.6                 | 5.1                |

### 6.17.2.2.13 ADC Timing Diagrams

The following diagrams show the ADC conversion timings for two SOC's given the following assumptions:

- SOC0 and SOC1 are configured to use the same trigger.
- No other SOC's are converting or pending when the trigger occurs.
- The round-robin pointer is in a state that causes SOC0 to convert first.
- ADCINTSEL is configured to set an ADCINT flag upon end of conversion for SOC0 (whether this flag propagates through to the CPU to cause an interrupt is determined by the configurations in the interrupt controller).

Table 6-21 lists the descriptions of the ADC timing parameters. Table 6-22 and Table 6-23 list the ADC timings.

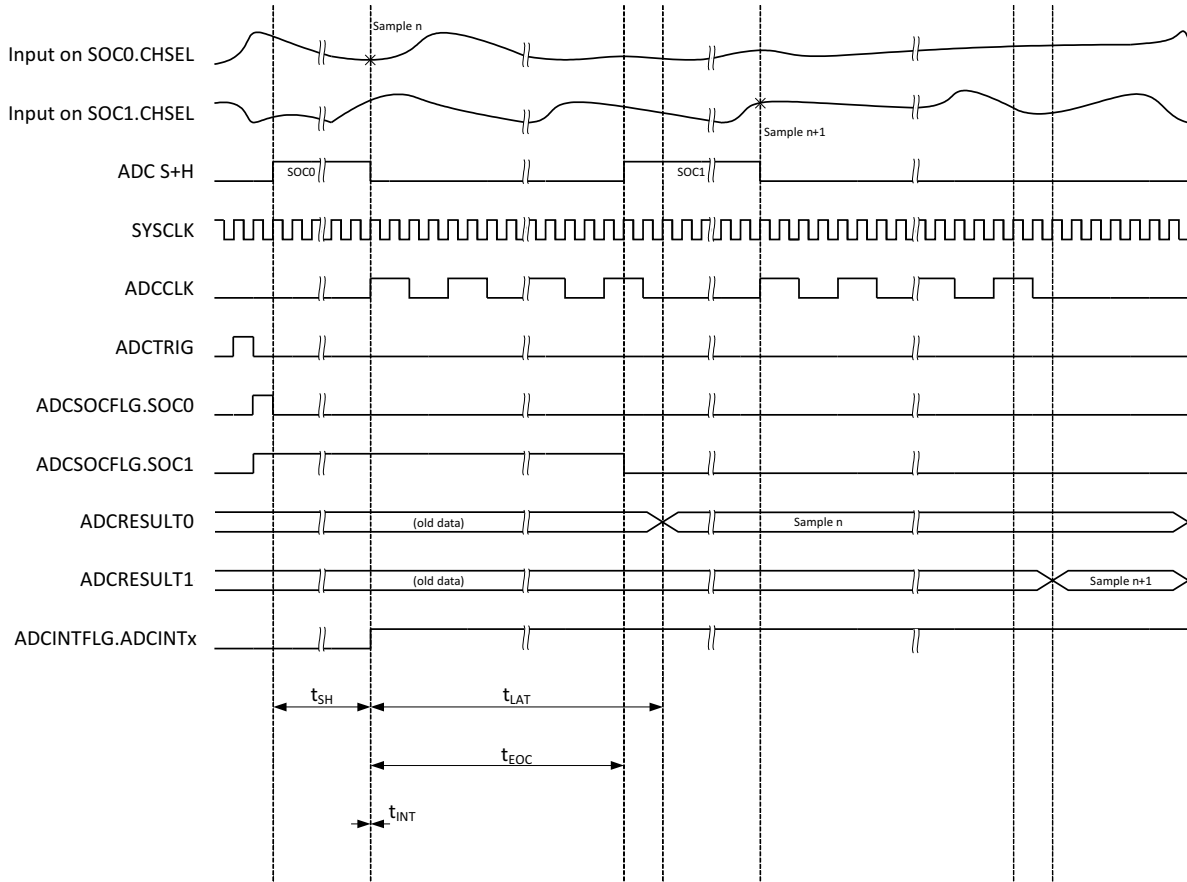
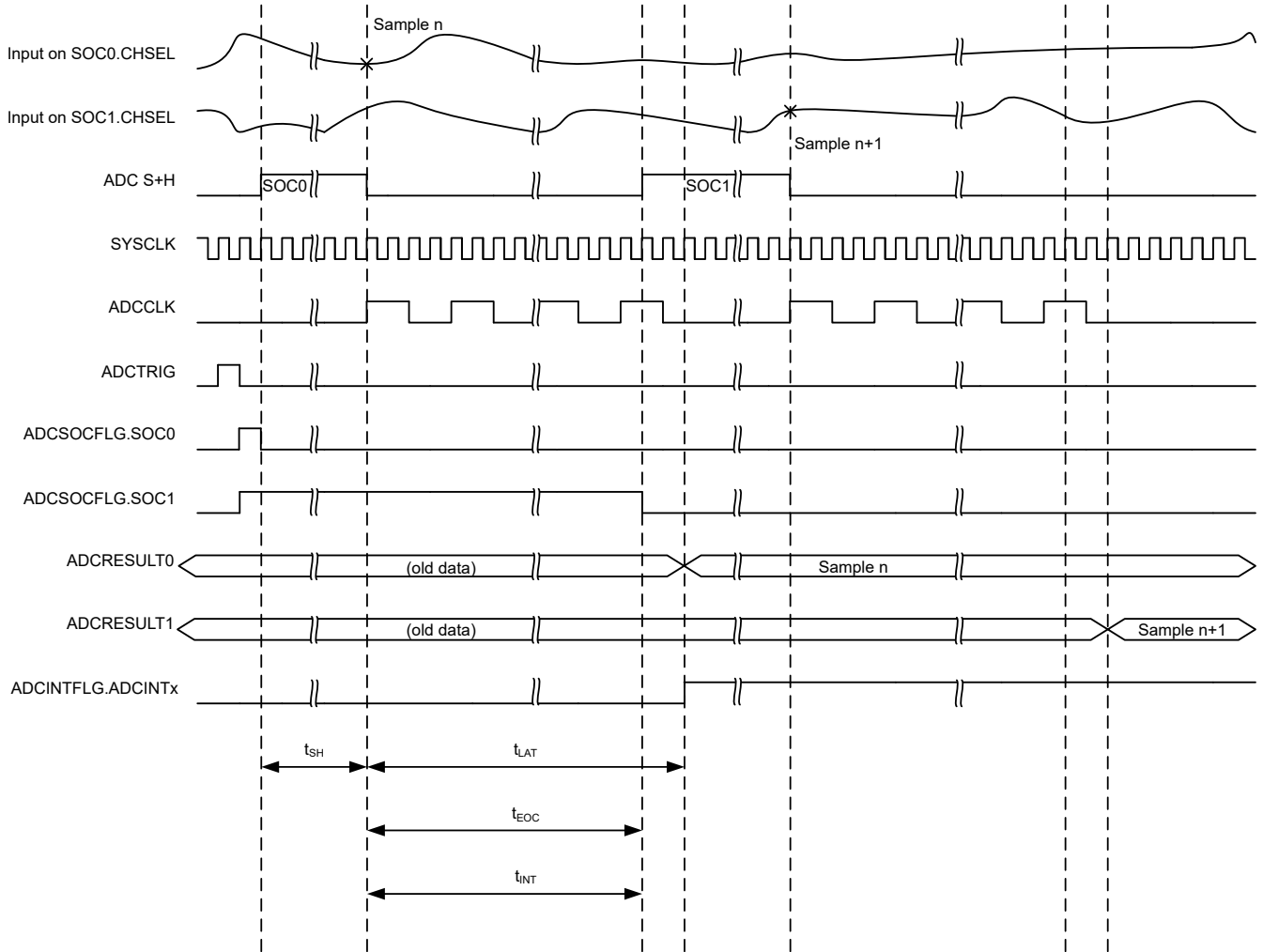
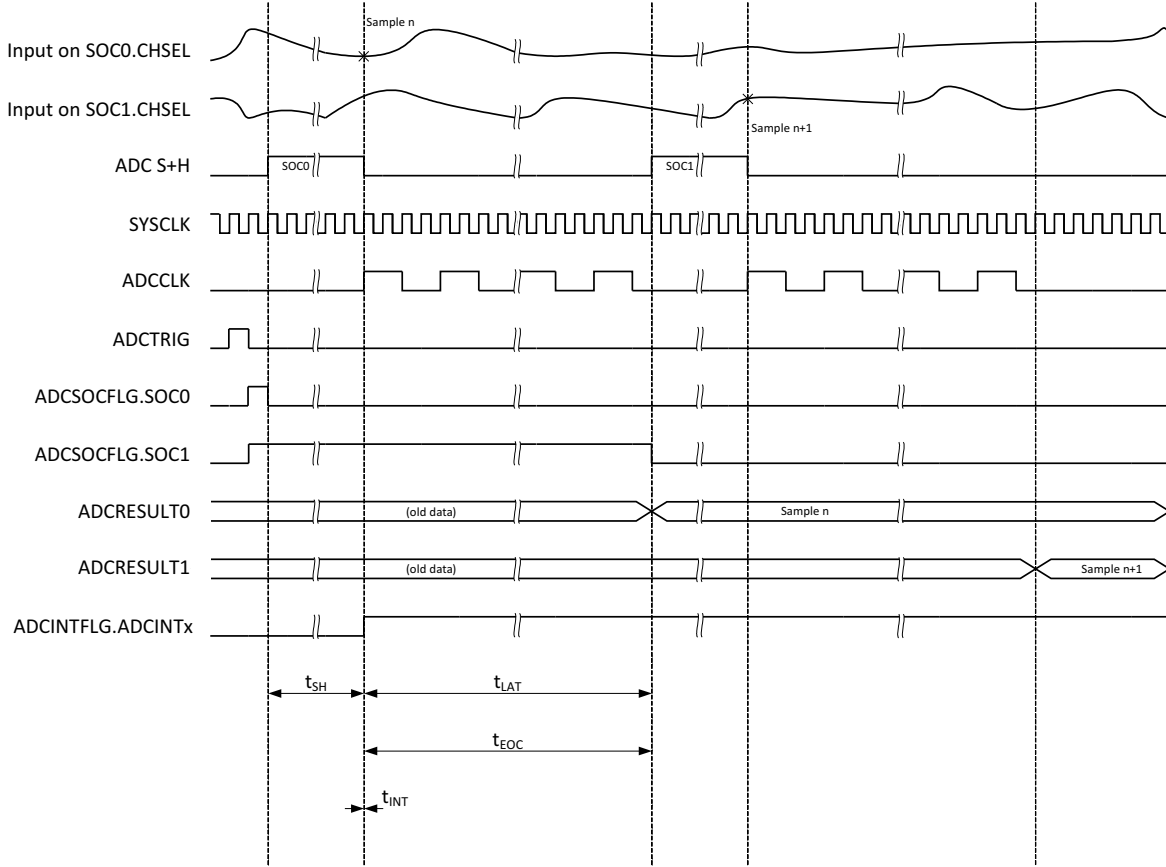


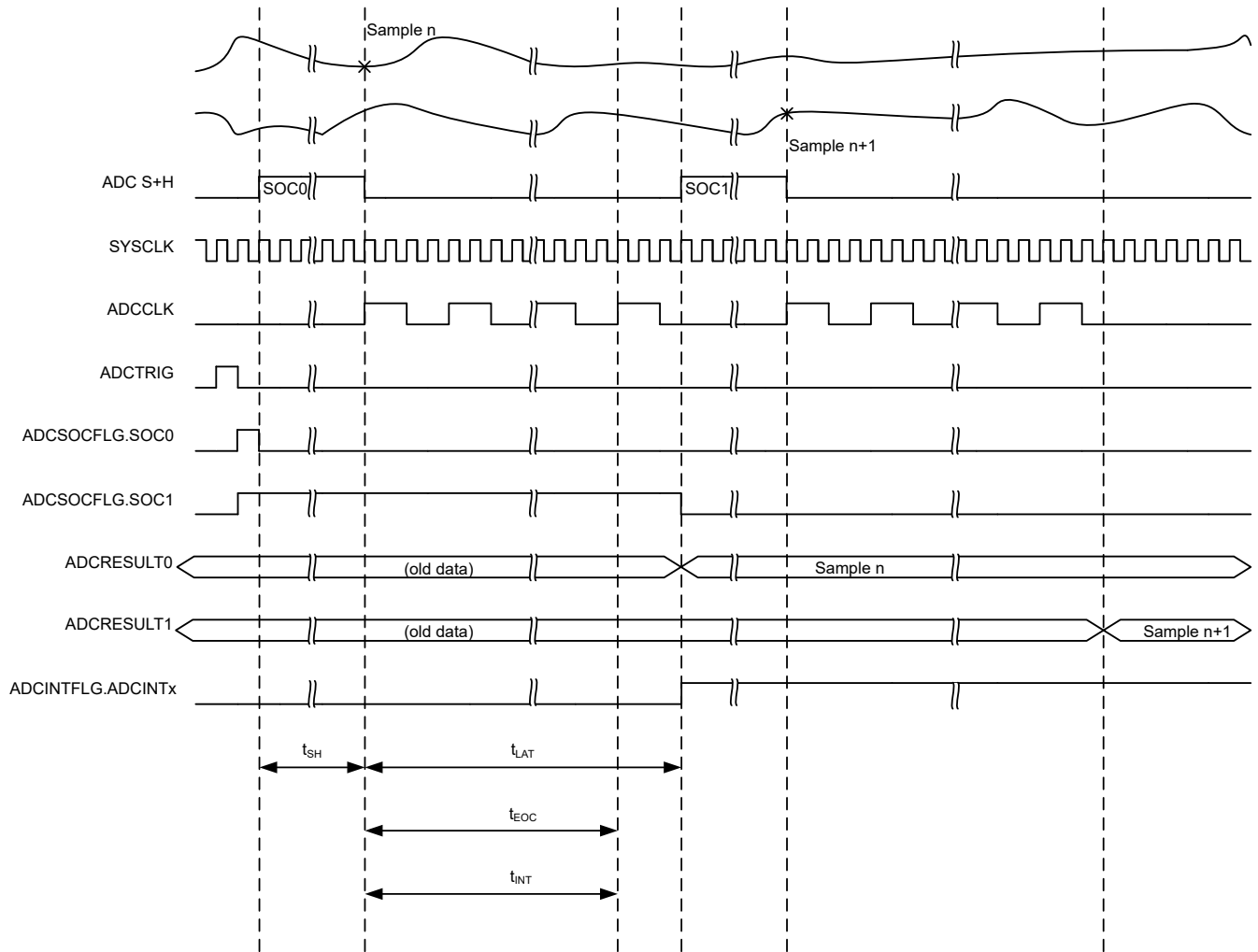
Figure 6-49. ADC Timings for 12-bit Mode in Early Interrupt Mode



**Figure 6-50. ADC Timings for 12-bit Mode in Late Interrupt Mode**



**Figure 6-51. ADC Timings for 16-bit Mode in Early Interrupt Mode**



**Figure 6-52. ADC Timings for 16-bit Mode in Late Interrupt Mode (SYSCLK Cycles)**

**Table 6-21. ADC Timing Parameter Descriptions**

| PARAMETER | DESCRIPTION                                                                                                                                                                                                                                                                                                                                                                                                                                                                                                                                                               |
|-----------|---------------------------------------------------------------------------------------------------------------------------------------------------------------------------------------------------------------------------------------------------------------------------------------------------------------------------------------------------------------------------------------------------------------------------------------------------------------------------------------------------------------------------------------------------------------------------|
| $t_{SH}$  | <p>The duration of the S+H window.</p> <p>At the end of this window, the value on the S+H capacitor becomes the voltage to be converted into a digital value. The duration is given by <math>(ACQPS + 1)</math> SYSCLK cycles. ACQPS can be configured individually for each SOC, so <math>t_{SH}</math> is not necessarily the same for different SOCs.</p> <p><b>Note:</b> The value on the S+H capacitor is captured approximately 5 ns before the end of the S+H window regardless of device clock settings.</p>                                                      |
| $t_{LAT}$ | <p>The time from the end of the S+H window until the ADC results latch in the ADCRESULTx register.</p> <p>If the ADCRESULTx register is read before this time, the previous conversion results are returned.</p>                                                                                                                                                                                                                                                                                                                                                          |
| $t_{EOC}$ | <p>The time from the end of the S+H window until the S+H window for the next ADC conversion can begin. The subsequent sample can start before the conversion results are latched. In 16-bit mode, this coincides with the latching of the conversion results, while in 12-bit mode, the subsequent sample can start before the conversion results are latched.</p>                                                                                                                                                                                                        |
| $t_{INT}$ | <p>The time from the end of the S+H window until an ADCINT flag is set (if configured).</p> <p>If the INTPULSEPOS bit in the ADCCTL1 register is set, <math>t_{INT}</math> coincides with the end of conversion (EOC) signal.</p> <p>If the INTPULSEPOS bit is 0, <math>t_{INT}</math> coincides with the end of the S+H window. If <math>t_{INT}</math> triggers a read of the ADC result register (by triggering an ISR that reads the result), care must be taken to make sure the read occurs after the results latch (otherwise, the previous results are read).</p> |
| $t_{DMA}$ | <p>The time from the end of the S+H window until a DMA read of the ADC conversion result is triggered, when ADCCTL1.TDMAEN = 1.</p> <p>If TDMAEN is set to 0, then the DMA trigger occurs at <math>T_{INT}</math>. In certain conditions, the ADCINT flag can be set before the ADCRESULT value is latched. To make sure that the DMA read occurs after the ADCRESULT value has been latched, write 1 to ADCCTL1.TDMAEN to enable DMA timings.</p>                                                                                                                        |

**Table 6-22. ADC Timings in 12-bit Mode**

| ADCCLK Prescale   |                | SYSCLK Cycles    |                  |                                         |                         |                  |
|-------------------|----------------|------------------|------------------|-----------------------------------------|-------------------------|------------------|
| ADCCTL2. PRESCALE | Prescale Ratio | t <sub>Eoc</sub> | t <sub>LAT</sub> | t <sub>INT</sub> (Early) <sup>(1)</sup> | t <sub>INT</sub> (Late) | t <sub>DMA</sub> |
| 0                 | 1              | 11               | 13               | 0                                       | 11                      | 13               |
| 2                 | 2              | 21               | 23               | 0                                       | 21                      | 23               |
| 3                 | 2.5            | 26               | 28               | 0                                       | 26                      | 28               |
| 4                 | 3              | 31               | 34               | 0                                       | 31                      | 34               |
| 5                 | 3.5            | 36               | 39               | 0                                       | 36                      | 39               |
| 6                 | 4              | 41               | 44               | 0                                       | 41                      | 44               |
| 7                 | 4.5            | 46               | 49               | 0                                       | 46                      | 49               |
| 8                 | 5              | 51               | 55               | 0                                       | 51                      | 55               |
| 9                 | 5.5            | 56               | 60               | 0                                       | 56                      | 60               |
| 10                | 6              | 61               | 65               | 0                                       | 61                      | 65               |
| 11                | 6.5            | 66               | 70               | 0                                       | 66                      | 70               |
| 12                | 7              | 71               | 76               | 0                                       | 71                      | 76               |
| 13                | 7.5            | 76               | 81               | 0                                       | 76                      | 81               |
| 14                | 8              | 81               | 86               | 0                                       | 81                      | 86               |
| 15                | 8.5            | 86               | 91               | 0                                       | 86                      | 91               |

(1) By default, t<sub>INT</sub> occurs one SYSCLK cycle after the S+H window if INTPULSEPOS is 0. This can be changed by writing to the OFFSET field in the ADCINTCYCLE register.

**Table 6-23. ADC Timings in 16-bit Mode**

| ADCCLK Prescale   |                | SYSCLK Cycles    |                  |                                         |                         |                  |
|-------------------|----------------|------------------|------------------|-----------------------------------------|-------------------------|------------------|
| ADCCTL2. PRESCALE | Prescale Ratio | t <sub>Eoc</sub> | t <sub>LAT</sub> | t <sub>INT</sub> (Early) <sup>(1)</sup> | t <sub>INT</sub> (Late) | t <sub>DMA</sub> |
| 0                 | 1              | 31               | 32               | 0                                       | 31                      | 32               |
| 2                 | 2              | 60               | 61               | 0                                       | 60                      | 61               |
| 3                 | 2.5            | 75               | 75               | 0                                       | 75                      | 75               |
| 4                 | 3              | 90               | 91               | 0                                       | 90                      | 91               |
| 5                 | 3.5            | 104              | 106              | 0                                       | 104                     | 106              |
| 6                 | 4              | 119              | 120              | 0                                       | 119                     | 120              |
| 7                 | 4.5            | 134              | 134              | 0                                       | 134                     | 134              |
| 8                 | 5              | 149              | 150              | 0                                       | 149                     | 150              |
| 9                 | 5.5            | 163              | 165              | 0                                       | 163                     | 165              |
| 10                | 6              | 178              | 179              | 0                                       | 178                     | 179              |
| 11                | 6.5            | 193              | 193              | 0                                       | 193                     | 193              |
| 12                | 7              | 208              | 209              | 0                                       | 208                     | 209              |
| 13                | 7.5            | 222              | 224              | 0                                       | 222                     | 224              |
| 14                | 8              | 237              | 238              | 0                                       | 237                     | 238              |
| 15                | 8.5            | 252              | 252              | 0                                       | 252                     | 252              |

(1) By default, t<sub>INT</sub> occurs one SYSCLK cycle after the S+H window if INTPULSEPOS is 0. This can be changed by writing to the OFFSET field in the ADCINTCYCLE register.

### 6.17.3 Temperature Sensor

#### 6.17.3.1 Temperature Sensor Electrical Data and Timing

The temperature sensor can be used to measure the device junction temperature. The temperature sensor is sampled through an internal connection to the ADC and translated into a temperature through TI-provided software. When sampling the temperature sensor, the ADC must meet the acquisition time in the *Temperature Sensor Characteristics* table.

##### 6.17.3.1.1 Temperature Sensor Characteristics

over recommended operating conditions (unless otherwise noted)

|                      | PARAMETER                                                       | TEST CONDITIONS    | MIN | TYP | MAX | UNIT |
|----------------------|-----------------------------------------------------------------|--------------------|-----|-----|-----|------|
| T <sub>acc</sub>     | Temperature Accuracy                                            | External reference |     | ±15 |     | °C   |
| t <sub>startup</sub> | Start-up time (TSENSCTL[ENABLE] to sampling temperature sensor) |                    |     | 500 |     | µs   |
| t <sub>acq</sub>     | ADC acquisition time                                            |                    | 450 |     |     | ns   |

### 6.17.4 Comparator Subsystem (CMPSS)

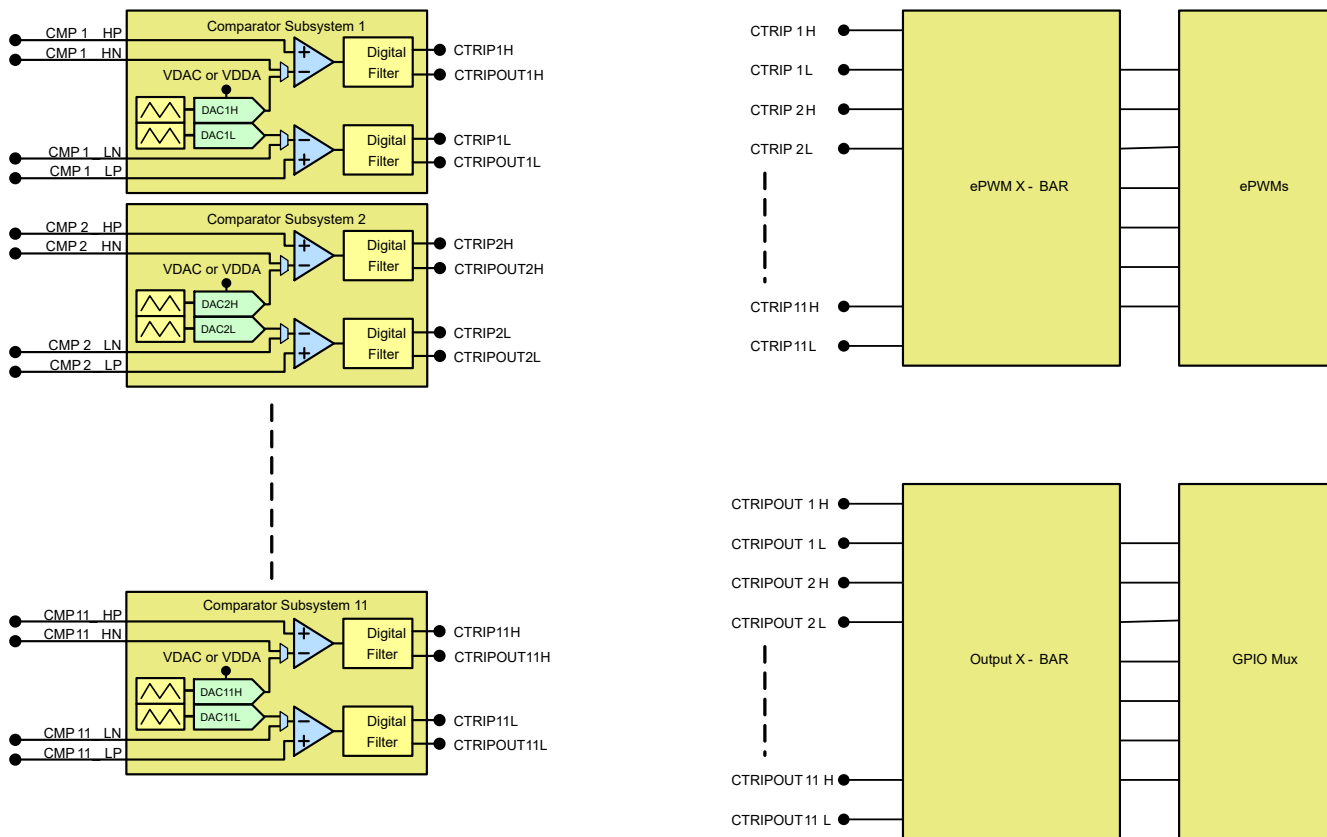
The Comparator Subsystem (CMPSS) consists of analog comparators and supporting circuits that are useful for power applications such as peak current mode control, switched-mode power supply, power factor correction, voltage trip monitoring, and so forth.

The comparator subsystem is built around a number of modules. Each subsystem contains two comparators, two reference 12-bit DACs, and two digital filters. The subsystem also includes two ramp generators. The ramp generators ramp up and down. Comparators are denoted "H" or "L" within each module where "H" and "L" represent high and low, respectively. Each comparator generates a digital output which indicates whether the voltage on the positive input is greater than the voltage on the negative input. The positive input of the comparator is driven from an external pin (see the Analog Subsystem chapter of the [F29H85x and F29P58x Real-Time Microcontrollers Technical Reference Manual](#) for mux options available to the CMPSS). The negative input can be driven by an external pin or by the programmable reference 12-bit DAC. Each comparator output passes through a programmable digital filter that can remove spurious trip signals. An unfiltered output is also available if filtering is not required. Two ramp generator circuits are optionally available to control the reference 12-bit DAC values for the high and low comparators in the subsystem. The DAC along with a wrapper can be used to generate a ramp which is used for slope compensation in Peak Current Mode Control (PCMC) and other applications. The subsystem also works with the EPWM to support Diode Emulation Mode.

Each CMPSS includes:

- Two analog comparators
- Two independently programmable reference 12-bit DACs
- Dual decrementing/incrementing ramp generators
- Two digital filters with max filter clock prescale of 2<sup>24</sup>
- Ability to synchronize submodules with EPWMSYNCPER
- Ability to extend clear signal with EPWMBLANK
- Ability to synchronize output with SYSCLK
- Ability to latch output
- Ability to invert output
- Option to use hysteresis on the input
- Option for negative input of comparator to be driven by an external signal or by the reference DAC
- External connection to CMPSS filters
- Diode emulation support
- Supports connection with ePWM for diode emulation
- Ramp generator prescaler
- Wake-up from standby and halt LPM (Low Power Modes) triggered by CMPSS trip outputs

### 6.17.4.1 CMPSS Connectivity Diagram

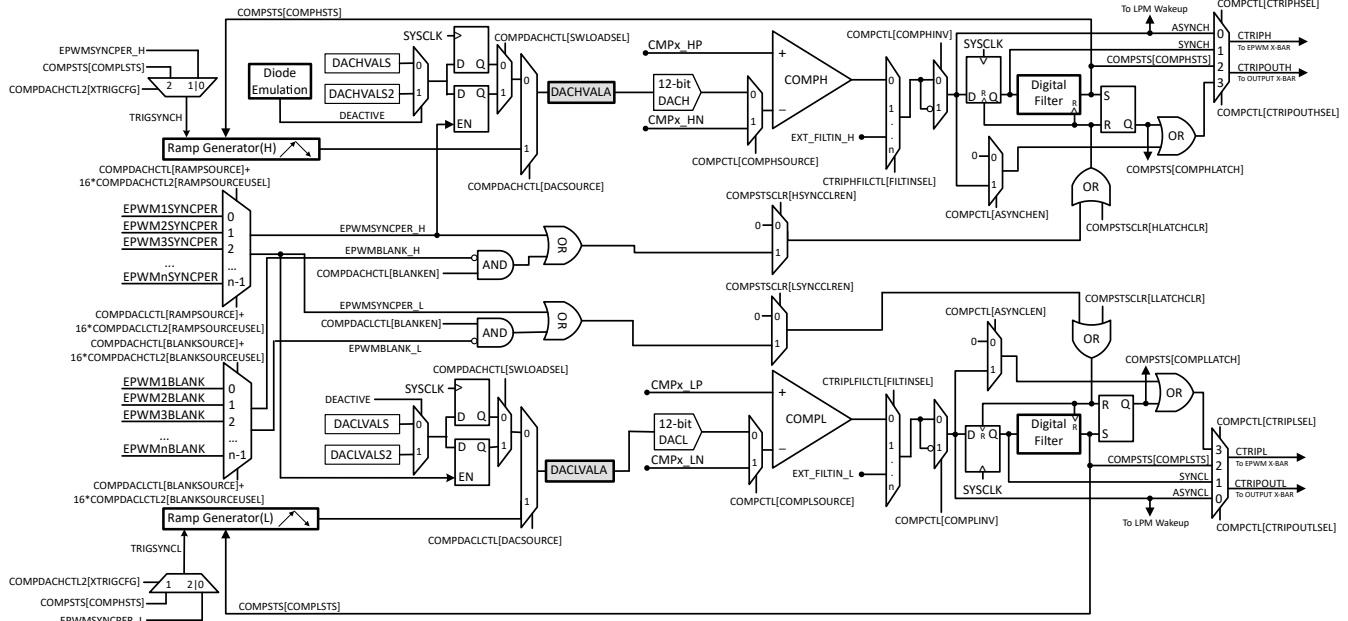


**Figure 6-53. CMPSS Connectivity**

### 6.17.4.2 Block Diagram

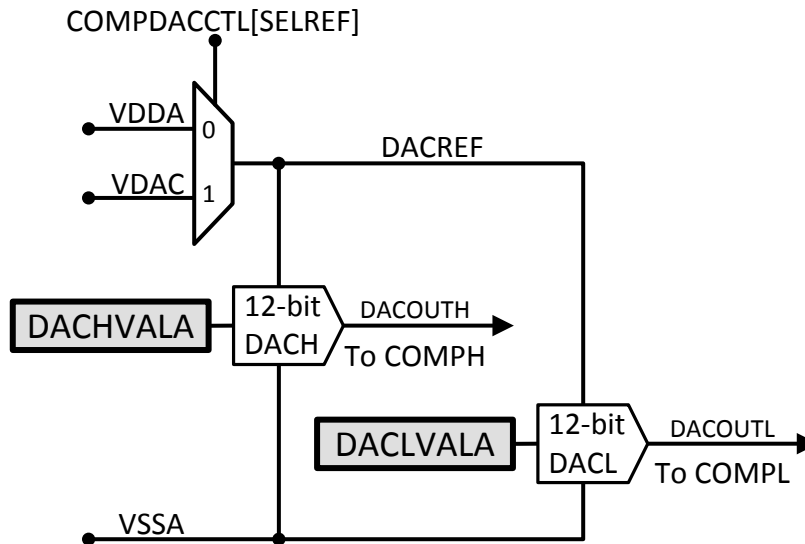
The block diagram for the CMPSS is shown in [Figure 6-54](#).

- CTRIP<sub>x</sub> (x= "H" or "L") signals are connected to the ePWM X-BAR for ePWM trip response. See the Enhanced Pulse Width Modulator (ePWM) chapter of the [F29H85x and F29P58x Real-Time Microcontrollers Technical Reference Manual](#) for more details on the ePWM X-BAR mux configuration.
- CTRIP<sub>x</sub>OUT<sub>x</sub> (x= "H" or "L") signals are connected to the Output X-BAR for external signaling. See the General-Purpose Input/Output (GPIO) chapter of the [F29H85x and F29P58x Real-Time Microcontrollers Technical Reference Manual](#) for more details on the Output X-BAR mux configuration.



**Figure 6-54. CMPSS Module Block Diagram**

Each reference 12-bit DAC can be configured to drive a reference voltage into the negative input of the respective comparator. Some CMPSS instances also allow the low DAC output to be routed to a pin to act as an external DAC. In this case, the DAC output is not available to the COMPL. The negative input to COMPL needs to be driven from the device pin in this case. The reference 12-bit DAC is illustrated in [Figure 6-55](#).



**Figure 6-55. Reference DAC Block Diagram**

### 6.17.4.3 CMPSS Electrical Data and Timing

#### 6.17.4.3.1 Comparator Electrical Characteristics

over recommended operating conditions (unless otherwise noted)

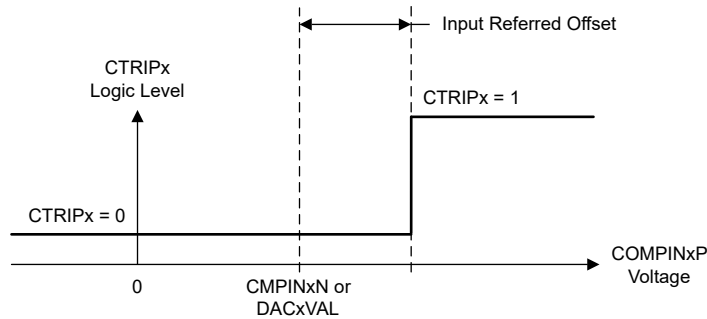
| PARAMETER                        | TEST CONDITIONS                              | MIN | TYP | MAX  | UNIT |
|----------------------------------|----------------------------------------------|-----|-----|------|------|
| TPU                              | Power-up time                                |     |     | 500  | µs   |
| Comparator input (CMPINxx) range |                                              | 0   |     | VDDA | V    |
| Input referred offset error      | Low common mode, inverting input set to 50mV | -20 |     | 20   | mV   |

over recommended operating conditions (unless otherwise noted)

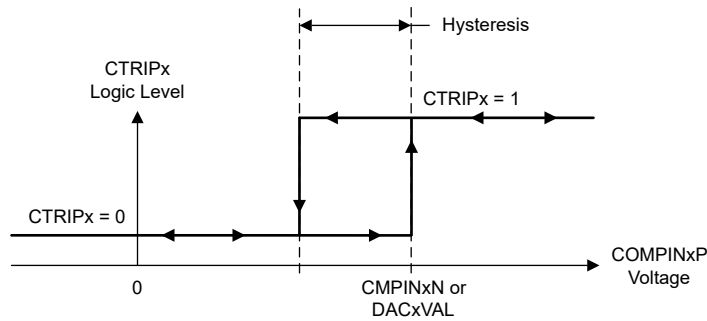
| PARAMETER                                                                              |                              | TEST CONDITIONS           | MIN | TYP | MAX | UNIT |
|----------------------------------------------------------------------------------------|------------------------------|---------------------------|-----|-----|-----|------|
| Hysteresis <sup>(1)</sup>                                                              |                              | 1x                        |     | 12  |     | LSB  |
|                                                                                        |                              | 2x                        |     | 24  |     |      |
|                                                                                        |                              | 3x                        |     | 36  |     |      |
|                                                                                        |                              | 4x                        |     | 48  |     |      |
| Response time (delay from CMPINx input change to output on ePWM X-BAR or Output X-BAR) |                              | Step response             |     | 21  | 60  | ns   |
|                                                                                        |                              | Ramp response (1.65V/μs)  |     | 26  |     |      |
|                                                                                        |                              | Ramp response (8.25mV/μs) |     | 30  |     | ns   |
| PSRR                                                                                   | Power Supply Rejection Ratio | Up to 250 kHz             |     | 46  |     | dB   |
| CMRR                                                                                   | Common Mode Rejection Ratio  |                           | 40  |     |     | dB   |

(1) The CMPSS DAC is used as the reference to determine how much hysteresis to apply. Therefore, hysteresis will scale with the CMPSS DAC reference voltage. Hysteresis is available for all comparator input source configurations.

**CMPSS Comparator Input Referred Offset and Hysteresis**



**Figure 6-56. CMPSS Comparator Input Referred Offset**



**Figure 6-57. CMPSS Comparator Hysteresis**

### 6.17.4.3.2 CMPSS DAC Static Electrical Characteristics

over recommended operating conditions (unless otherwise noted)

| PARAMETER                                   | TEST CONDITIONS                                                                        | MIN  | TYP        | MAX                 | UNIT     |
|---------------------------------------------|----------------------------------------------------------------------------------------|------|------------|---------------------|----------|
| CMPSS DAC output range                      | Internal reference                                                                     | 0    |            | VDDA                | V        |
|                                             | External reference                                                                     | 0    |            | VDAC <sup>(4)</sup> |          |
| Static offset error <sup>(1)</sup>          |                                                                                        | -25  |            | 25                  | mV       |
| Static gain error <sup>(1)</sup>            |                                                                                        | -2   |            | 2                   | % of FSR |
| Static DNL                                  | Endpoint corrected                                                                     | >-1  |            | 4                   | LSB      |
| Static INL                                  | Endpoint corrected                                                                     | -16  |            | 16                  | LSB      |
| Settling time                               | Settling to 1LSB after full-scale output change                                        |      |            | 1                   | µs       |
| Resolution                                  |                                                                                        |      | 12         |                     | bits     |
| CMPSS DAC output disturbance <sup>(2)</sup> | Error induced by comparator trip or CMPSS DAC code change within the same CMPSS module | -100 |            | 100                 | LSB      |
| CMPSS DAC disturbance time <sup>(2)</sup>   |                                                                                        |      |            | 200                 | ns       |
| VDAC reference voltage                      | When VDAC is reference                                                                 | 2.4  | 2.5 or 3.0 | VDDA                | V        |
| VDAC load <sup>(3)</sup>                    | When VDAC is reference                                                                 | 6    | 8          | 10                  | kΩ       |

- (1) Includes comparator input referred errors.
- (2) Disturbance error may be present on the CMPSS DAC output for a certain amount of time after a comparator trip.
- (3) Per active CMPSS module.
- (4) The maximum output voltage is VDDA when VDAC > VDDA.

### 6.17.4.3.3 CMPSS Illustrative Graphs

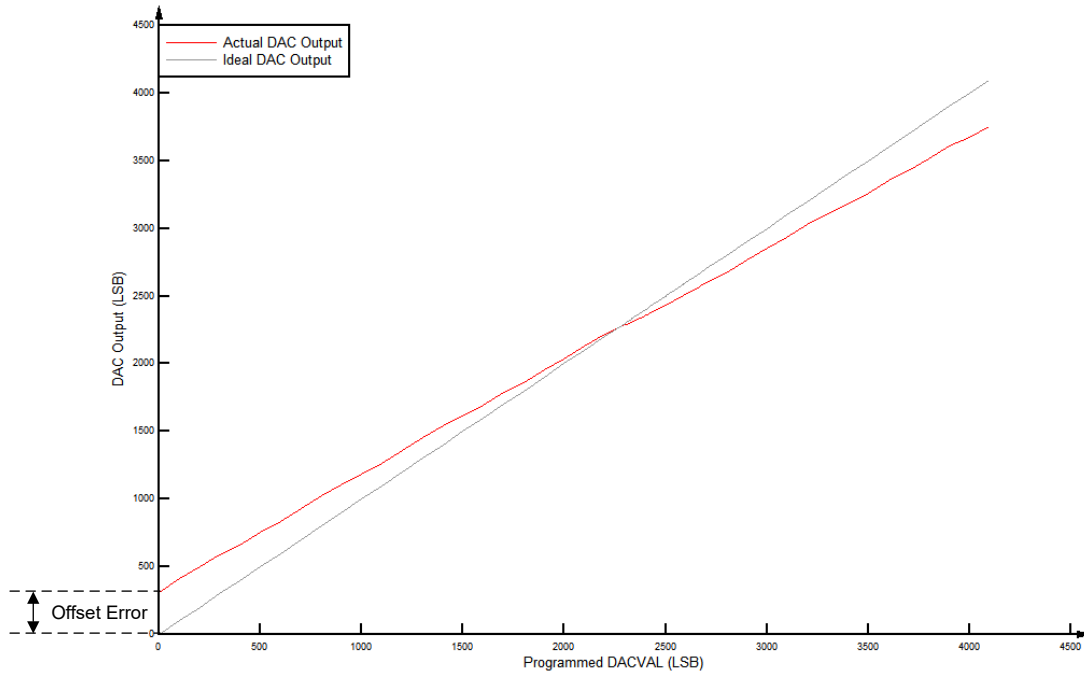
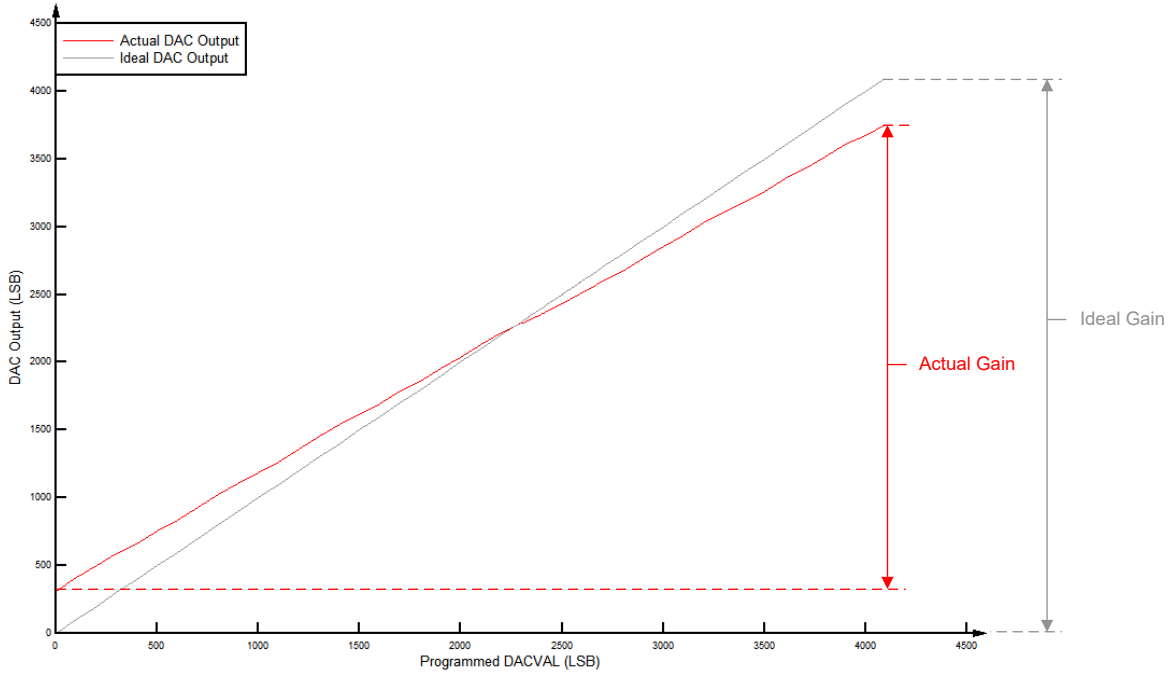
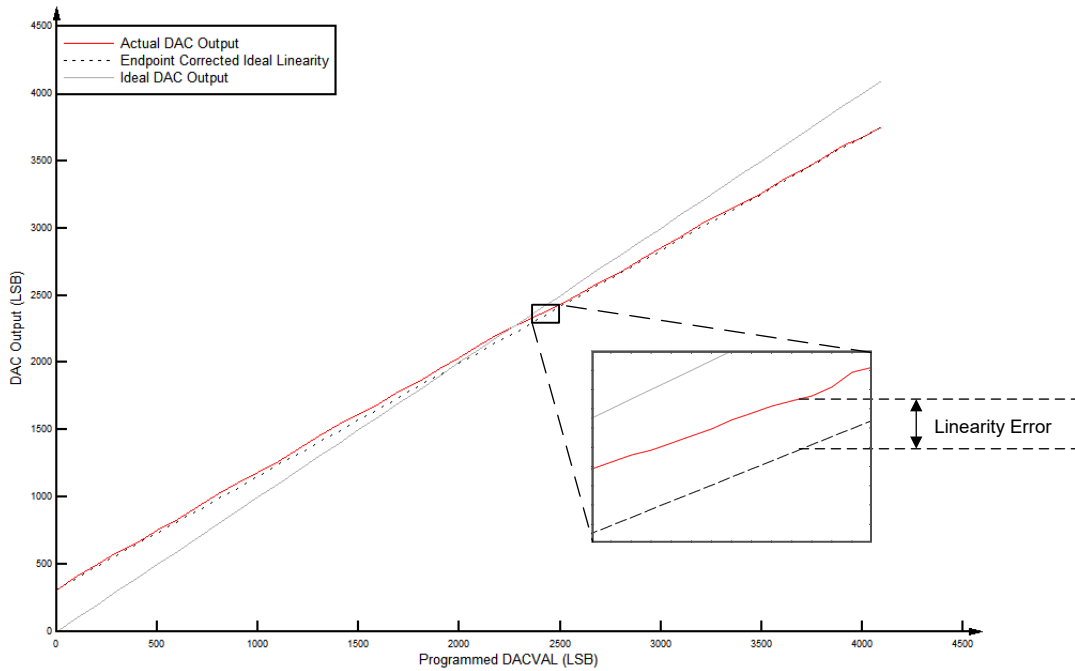


Figure 6-58. CMPSS DAC Static Offset



**Figure 6-59. CMPSS DAC Static Gain**



**Figure 6-60. CMPSS DAC Static Linearity**

### 6.17.5 Buffered Digital-to-Analog Converter (DAC)

The buffered DAC module consists of an internal 12-bit DAC and an analog output buffer that can drive an external load. For driving even higher loads than typical, a trade-off can be made between load size and output voltage swing. For the load conditions of the buffered DAC, see the *Buffered DAC Electrical Data and Timing* section. The buffered DAC is a general-purpose DAC that can be used to generate a DC voltage or AC waveforms such as sine waves, square waves, triangle waves and so forth. Software writes to the DAC value register can take effect immediately or can be synchronized with EPWMSYNCO events.

Each buffered DAC has the following features:

- 12-bit resolution
- Selectable reference voltage source
- x1 and x2 gain modes when using internal VREFHI
- Ability to synchronize with EPWMSYNCPER

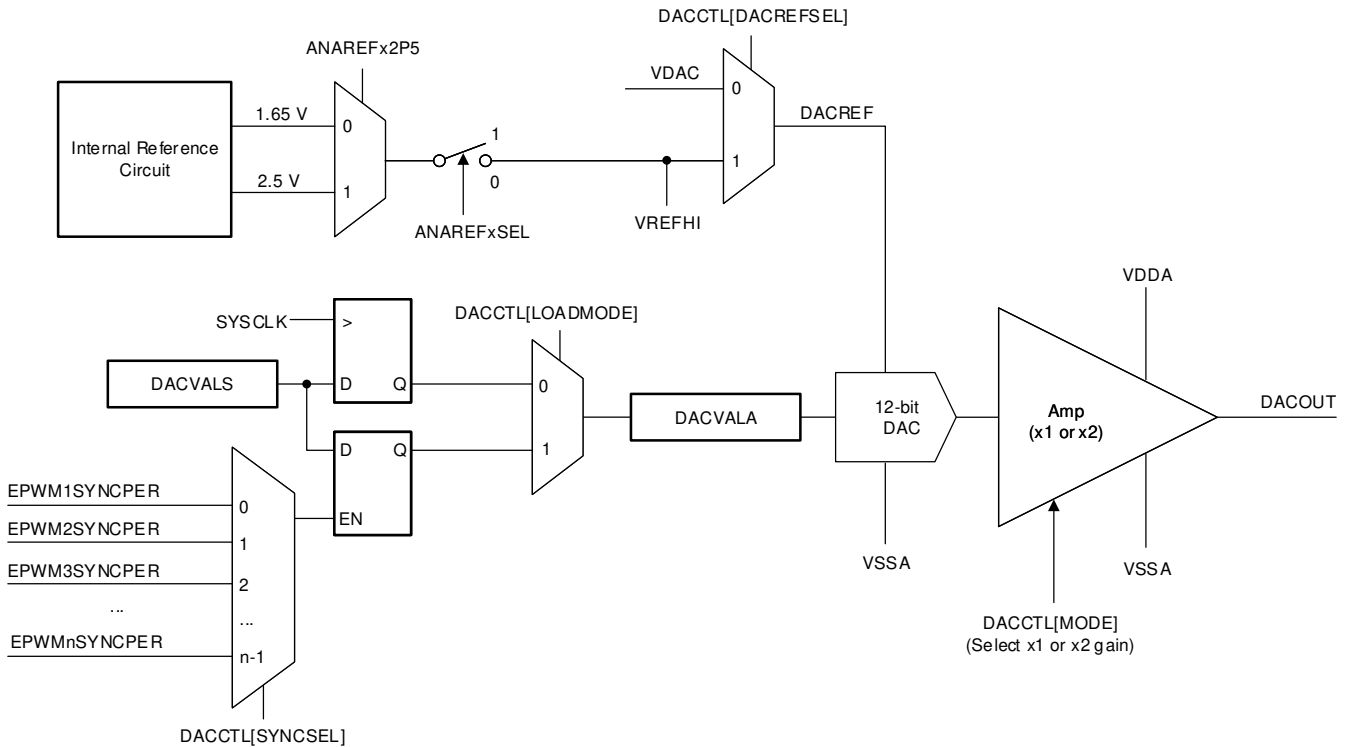


Figure 6-61. DAC Module Block Diagram

### 6.17.5.1 Buffered DAC Electrical Data and Timing

#### 6.17.5.1.1 Buffered DAC Operating Conditions

over recommended operating conditions (unless otherwise noted)<sup>(1)</sup>

| PARAMETER                        |                                           | TEST CONDITIONS       | MIN | TYP        | MAX        | UNIT |
|----------------------------------|-------------------------------------------|-----------------------|-----|------------|------------|------|
| R <sub>L</sub>                   | Resistive Load <sup>(2)</sup>             |                       | 5   |            |            | kΩ   |
| C <sub>L</sub>                   | Capacitive Load                           |                       |     |            | 100        | pF   |
| V <sub>OUT</sub>                 | Valid Output Voltage Range <sup>(3)</sup> | R <sub>L</sub> = 5 kΩ | 0.3 |            | VDDA – 0.3 | V    |
|                                  |                                           | R <sub>L</sub> = 1 kΩ | 0.6 |            | VDDA – 0.6 | V    |
| Reference Voltage <sup>(4)</sup> |                                           | VDAC or VREFHI        | 2.4 | 2.5 or 3.0 | VDDA       | V    |

- (1) Typical values are measured with VREFHI = 3.3 V and VREFLO = 0 V, unless otherwise noted. Minimum and maximum values are tested or characterized with VREFHI = 2.5 V and VREFLO = 0 V.
- (2) DAC can drive a minimum resistive load of 1 kΩ, but the output range will be limited.
- (3) This is the linear output range of the DAC. The DAC can generate voltages outside this range, but the output voltage will not be linear due to the buffer.
- (4) For best PSRR performance, VDAC or VREFHI should be less than VDDA.

#### 6.17.5.1.2 Buffered DAC Electrical Characteristics

over recommended operating conditions (unless otherwise noted)<sup>(1)</sup>

| PARAMETER                                                 |                                           | TEST CONDITIONS                                   | MIN  | TYP   | MAX  | UNIT      |
|-----------------------------------------------------------|-------------------------------------------|---------------------------------------------------|------|-------|------|-----------|
| <b>General</b>                                            |                                           |                                                   |      |       |      |           |
| Resolution                                                |                                           |                                                   |      | 12    |      | bits      |
| Load Regulation                                           |                                           |                                                   | –1   |       | 1    | mV/V      |
| Glitch Energy                                             |                                           |                                                   |      | 1.5   |      | V-ns      |
| Voltage Output Settling Time Full-Scale                   |                                           | Settling to 2 LSBs after 0.3V-to-3V transition    |      |       | 2    | μs        |
| Voltage Output Settling Time 1/4 <sup>th</sup> Full-Scale |                                           | Settling to 2 LSBs after 0.3V-to-0.75V transition |      |       | 1.6  | μs        |
| Voltage Output Slew Rate                                  |                                           | Slew rate from 0.3V-to-3V transition              | 2.8  |       | 4.5  | V/μs      |
| Load Transient Settling Time                              |                                           | 5-kΩ Load                                         |      |       | 328  | ns        |
|                                                           |                                           | 1-kΩ Load                                         |      |       | 557  | ns        |
| Reference Input Resistance <sup>(2)</sup>                 |                                           | VDAC or VREFHI                                    | 160  | 200   | 240  | kΩ        |
| TPU                                                       | Power Up Time                             | External Reference mode                           |      |       | 500  | μs        |
|                                                           |                                           | Internal Reference mode                           |      |       | 5000 | μs        |
| <b>DC Characteristics</b>                                 |                                           |                                                   |      |       |      |           |
| Offset                                                    | Offset Error                              | Midpoint                                          | –10  |       | 10   | mV        |
| Gain                                                      | Gain Error <sup>(3)</sup>                 |                                                   | –2.5 |       | 2.5  | % of FSR  |
| DNL                                                       | Differential Non Linearity <sup>(4)</sup> | Endpoint corrected                                | –1   | ±0.4  | 1    | LSB       |
| INL                                                       | Integral Non Linearity                    | Endpoint corrected                                | –5   | ±2    | 5    | LSB       |
| <b>AC Characteristics</b>                                 |                                           |                                                   |      |       |      |           |
| Output Noise                                              |                                           | Integrated noise from 100 Hz to 100 kHz           |      | 600   |      | μVrms     |
|                                                           |                                           | Noise density at 10 kHz                           |      | 800   |      | nVrms/√Hz |
| SNR                                                       | Signal to Noise Ratio                     | 1 kHz, 200 KSPS                                   |      | 64    |      | dB        |
| THD                                                       | Total Harmonic Distortion                 | 1 kHz, 200 KSPS                                   |      | –64.2 |      | dB        |
| SFDR                                                      | Spurious Free Dynamic Range               | 1 kHz, 200 KSPS                                   |      | 66    |      | dB        |
| SINAD                                                     | Signal to Noise and Distortion Ratio      | 1 kHz, 200 KSPS                                   |      | 61.7  |      | dB        |

**6.17.5.1.2 Buffered DAC Electrical Characteristics (continued)**

 over recommended operating conditions (unless otherwise noted)<sup>(1)</sup>

| PARAMETER |                                             | TEST CONDITIONS | MIN | TYP | MAX | UNIT |
|-----------|---------------------------------------------|-----------------|-----|-----|-----|------|
| PSRR      | Power Supply Rejection Ratio <sup>(5)</sup> | DC              |     | 70  |     | dB   |
|           |                                             | 100 kHz         |     | 30  |     | dB   |

- (1) Typical values are measured with VREFHI = 3.3 V and VREFLO = 0 V, unless otherwise noted. Minimum and maximum values are tested or characterized with VREFHI = 2.5 V and VREFLO = 0 V.
- (2) Per active Buffered DAC module.
- (3) Gain error is calculated for linear output range.
- (4) The DAC output is monotonic.
- (5) VREFHI = 3.2 V, VDDA = 3.3 V DC + 100 mV Sine.

## 6.18 C29x Control Peripherals

---

### Note

For the actual number of each peripheral on a specific device, see the Device Comparison table.

---

### 6.18.1 Enhanced Capture (eCAP)

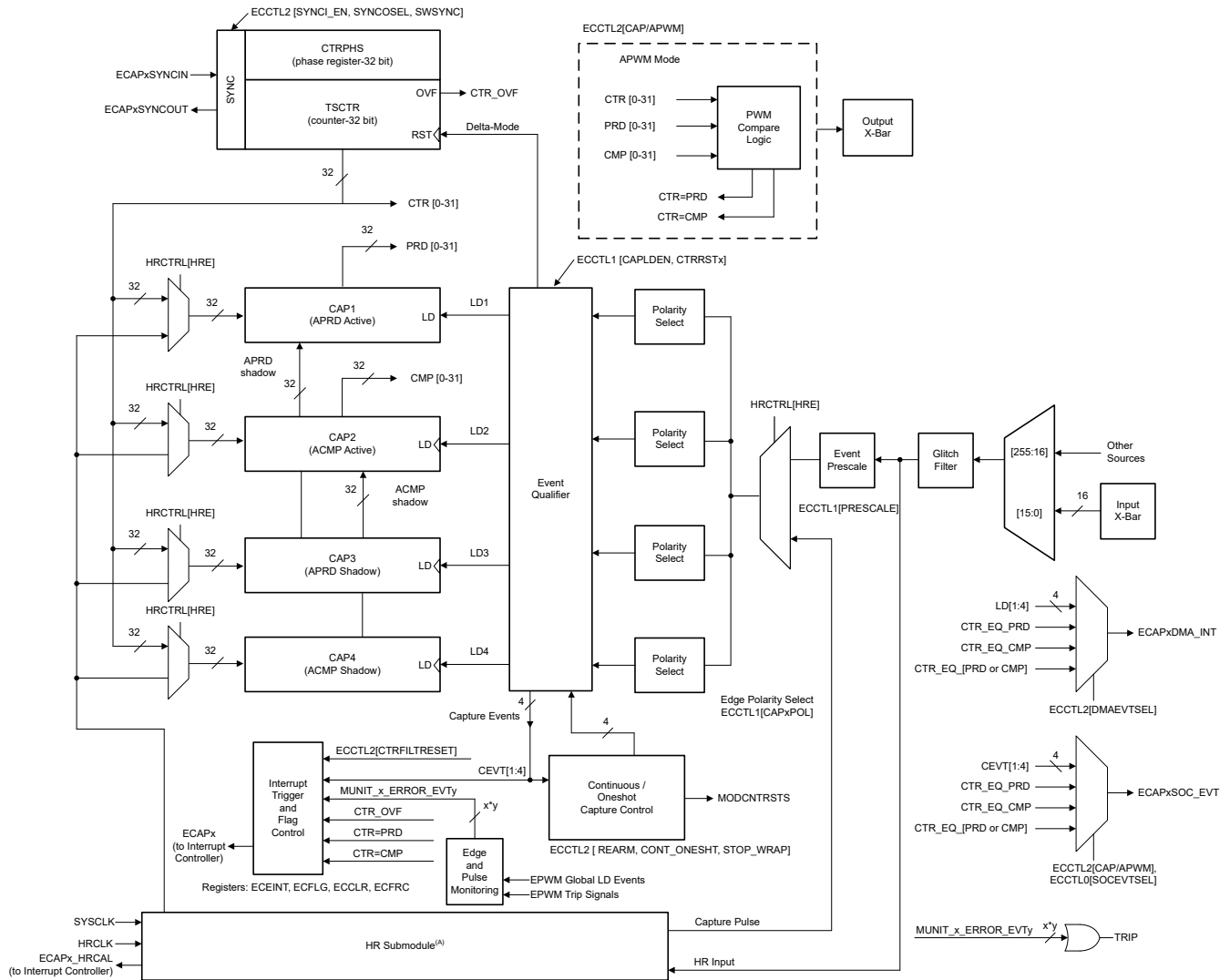
The features of the eCAP module include:

- Speed measurements of rotating machinery (for example, toothed sprockets sensed by way of Hall sensors)
- Elapsed time measurements between position sensor pulses
- Period and duty cycle measurements of pulse train signals
- Decoding current or voltage amplitude derived from duty cycle encoded current/voltage sensors

The eCAP module features described in this section include:

- 4-event time-stamp registers (each 32 bits)
- Edge polarity selection for up to four sequenced time-stamp capture events
- Interrupt on either of the four events
- Single-shot capture of up to four event time-stamps
- Continuous mode capture of time stamps in a four-deep circular buffer
- Absolute time-stamp capture
- Difference (Delta) mode time-stamp capture
- When not used in capture mode, the eCAP module can be configured as a single-channel PWM output

### 6.18.1.1 eCAP Block Diagram



**Figure 6-62. eCAP Block Diagram**

### 6.18.1.2 eCAP Synchronization

The eCAP modules can be synchronized with each other by selecting a common SYNCIN source. SYNCIN source for eCAP can be either software sync-in or external sync-in. The external sync-in signal can come from ePWM, eCAP, or X-Bar. The SYNC signal is defined by the selection in the ECAPxSYNCINSEL[SEL] bit for ECAPx as shown in Figure 6-63.

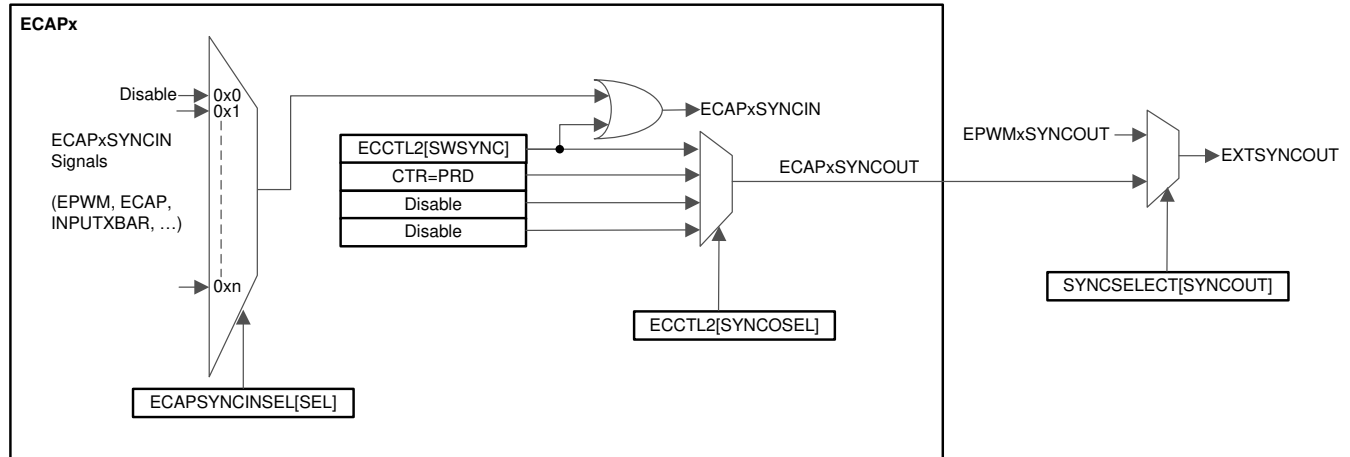


Figure 6-63. eCAP Synchronization Scheme

### 6.18.1.3 eCAP Electrical Data and Timing

For an explanation of the input qualifier parameters, see the *General-Purpose Input Timing Requirements* table.

#### 6.18.1.3.1 eCAP Timing Requirements

|              |                           |                      | MIN                            | NOM | MAX | UNIT |
|--------------|---------------------------|----------------------|--------------------------------|-----|-----|------|
| $t_{w(CAP)}$ | Capture input pulse width | Asynchronous         | $2t_{c(SYSCLK)}$               |     |     | ns   |
|              |                           | Synchronous          | $2t_{c(SYSCLK)}$               |     |     |      |
|              |                           | With input qualifier | $1t_{c(SYSCLK)} + t_{w(IQSW)}$ |     |     |      |

#### 6.18.1.3.2 eCAP Switching Characteristics

over recommended operating conditions (unless otherwise noted)

| PARAMETER     |                                       | MIN | TYP | MAX | UNIT |
|---------------|---------------------------------------|-----|-----|-----|------|
| $t_{w(APWM)}$ | Pulse duration, APWMx output high/low | 20  |     |     | ns   |

### 6.18.2 High-Resolution Capture (HRCAP)

The eCAP3 module can be configured as high-resolution capture (HRCAP) submodules. The HRCAP submodule measures the difference, in time, between pulses asynchronously to the system clock. This submodule is new to the eCAP Type 1 module, and features many enhancements over the Type 0 HRCAP module.

Applications for the HRCAP include:

- Capacitive touch applications
- High-resolution period and duty-cycle measurements of pulse train cycles
- Instantaneous speed measurements
- Instantaneous frequency measurements
- Voltage measurements across an isolation boundary
- Distance/sonar measurement and scanning
- Flow measurements

The HRCAP submodule includes the following features:

- Pulse-width capture in either non-high-resolution or high-resolution modes
- Absolute mode pulse-width capture
- Continuous or "one-shot" capture
- Capture on either falling or rising edge
- Continuous mode capture of pulse widths in 4-deep buffer
- Hardware calibration logic for precision high-resolution capture
- All of the resources in this list are available on any pin using the Input X-BAR.

The HRCAP submodule includes one high-resolution capture channel in addition to a calibration block. The calibration block allows the HRCAP submodule to be continually recalibrated, at a set interval, with no "down time". Because the HRCAP submodule now uses the same hardware as its respective eCAP, if the HRCAP is used, the corresponding eCAP will be unavailable.

Each high-resolution-capable channel has the following independent key resources.

- All hardware of the respective eCAP
- High-resolution calibration logic
- Dedicated calibration interrupt

#### 6.18.2.1 eCAP and HRCAP Block Diagram

For the HRCAP Block Diagram, see the eCAP and HRCAP Block Diagram in the *Enhanced Capture (eCAP)* section.

### 6.18.2.2 HRCAP Electrical Data and Timing

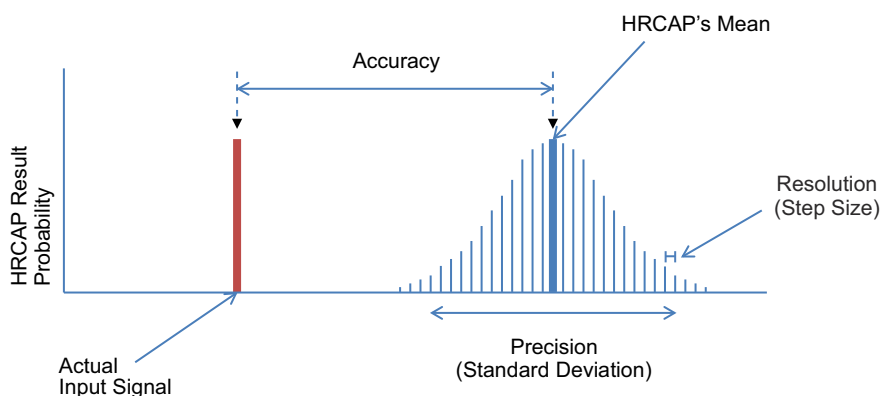
#### 6.18.2.2.1 HRCAP Switching Characteristics

over recommended operating conditions (unless otherwise noted)

| PARAMETER                           | TEST CONDITIONS                         | MIN | TYP                                                 | MAX  | UNIT |
|-------------------------------------|-----------------------------------------|-----|-----------------------------------------------------|------|------|
| Input pulse width                   |                                         | 110 |                                                     |      | ns   |
| Accuracy <sup>(1) (2) (3) (4)</sup> | Measurement length $\leq 5 \mu\text{s}$ |     | $\pm 390$                                           | 540  | ps   |
|                                     | Measurement length $> 5 \mu\text{s}$    |     | $\pm 450$                                           | 1450 | ps   |
| Standard deviation                  |                                         |     | See HRCAP Standard Deviation Characteristics figure |      |      |
| Resolution                          |                                         |     | 300                                                 |      | ps   |

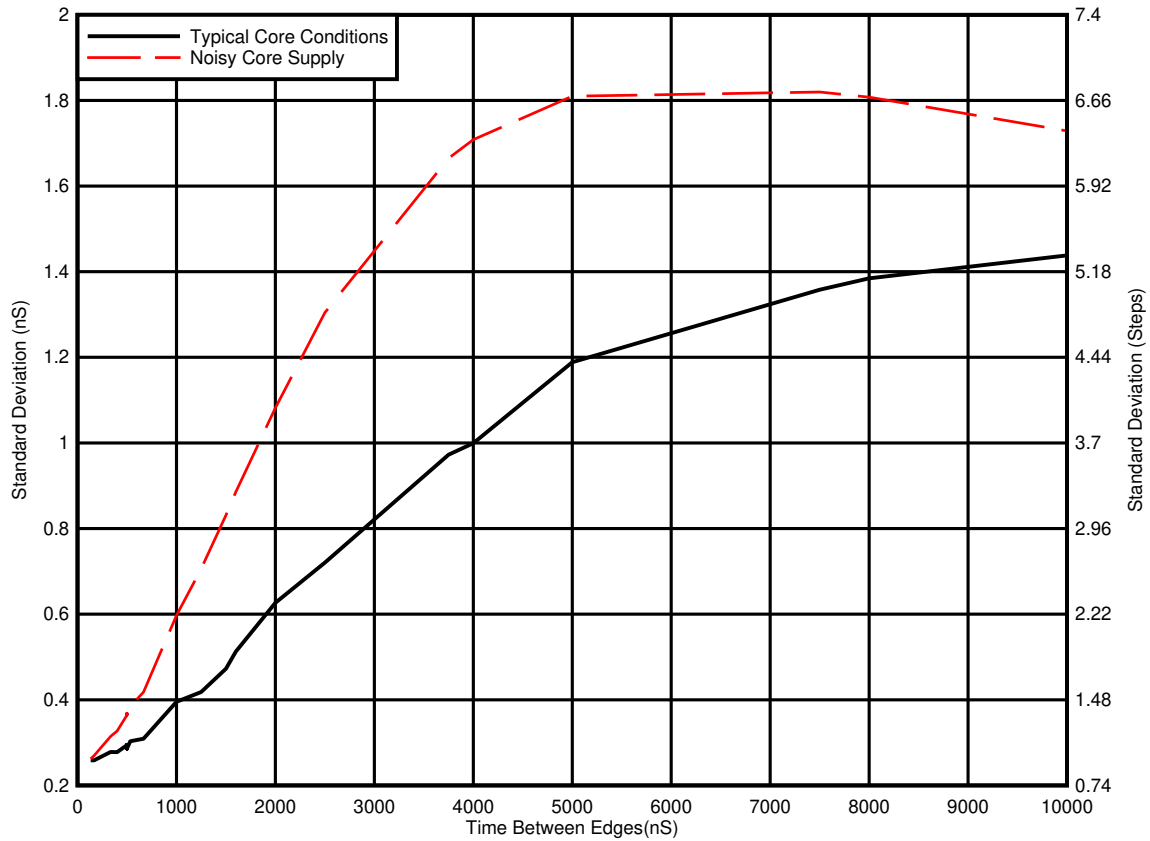
- (1) Value obtained using an oscillator of 100 PPM, oscillator accuracy directly affects the HRCAP accuracy.
- (2) Measurement is completed using rising-rising or falling-falling edges
- (3) Opposite polarity edges will have an additional inaccuracy due to the difference between  $V_{IH}$  and  $V_{IL}$ . This effect is dependent on the signal's slew rate.
- (4) Accuracy only applies to time-converted measurements.

#### 6.18.2.2.2 HRCAP Figure and Graph



- A. The HRCAP has some variation in performance, this results in a probability distribution which is described using the following terms:
- Accuracy: The time difference between the input signal and the mean of the HRCAP's distribution.
  - Precision: The width of the HRCAP's distribution, this is given as a standard deviation.
  - Resolution: The minimum measurable increment.

**Figure 6-64. HRCAP Accuracy Precision and Resolution**



- A. Typical core conditions: All peripheral clocks are enabled.
- B. Noisy core supply: All core clocks are enabled and disabled with a regular period during the measurement.
- C. Fluctuations in current and voltage on the VDD rail cause the standard deviation of the HRCAP to rise. Care should be taken to ensure that the VDD supply is clean, and that noisy internal events, such as enabling and disabling clock trees, have been minimized while using the HRCAP.

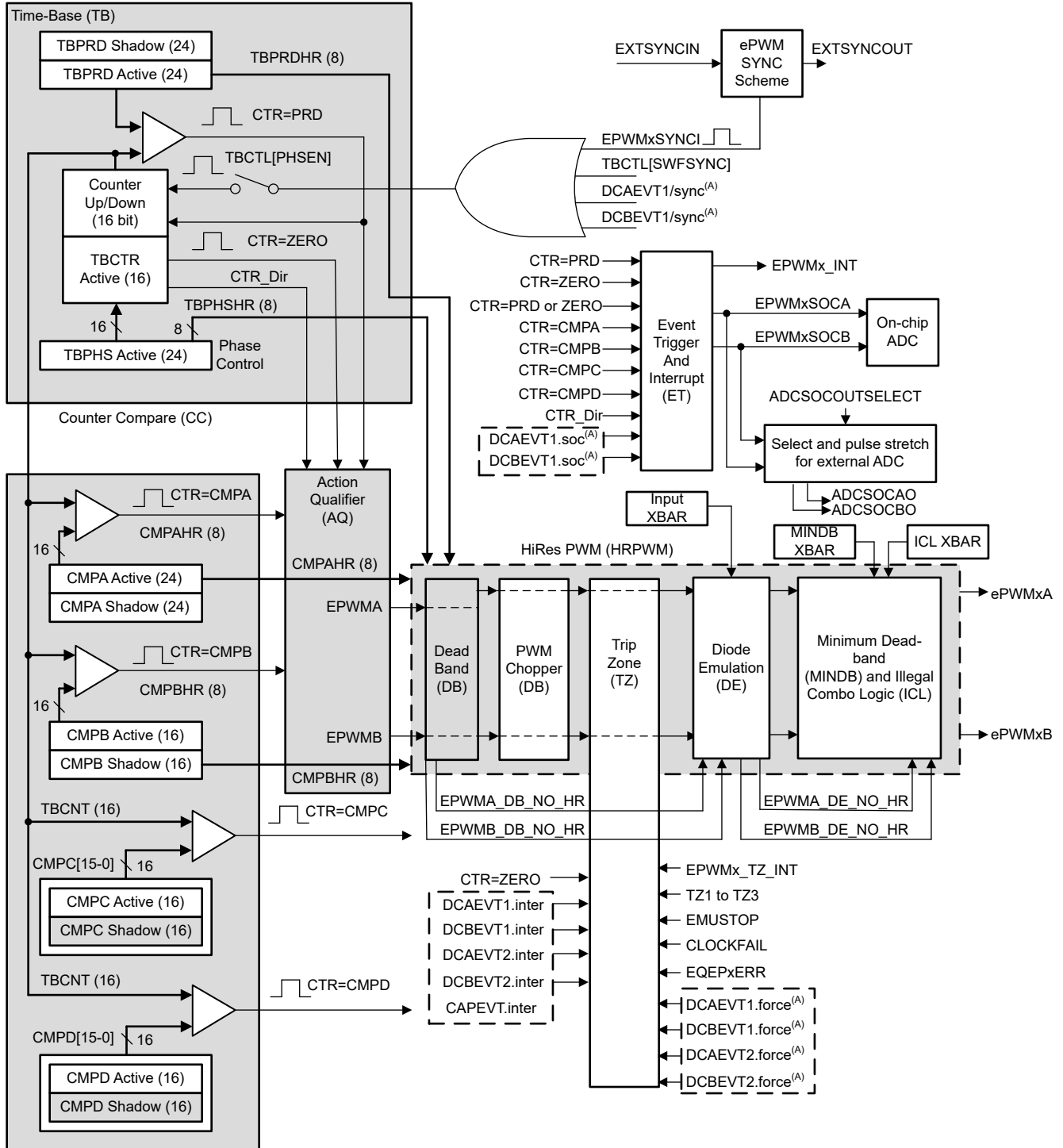
**Figure 6-65. HRCAP Standard Deviation Characteristics**

### 6.18.3 Enhanced Pulse Width Modulator (ePWM)

The ePWM peripheral is a key element in controlling many of the power electronic systems found in both commercial and industrial equipment. The ePWM type 4 module is able to generate complex pulse width waveforms with minimal CPU overhead by building the peripheral up from smaller modules with separate resources that can operate together to form a system. Some of the highlights of the ePWM type 4 module include complex waveform generation, dead-band generation, a flexible synchronization scheme, advanced trip-zone functionality, and global register reload capabilities. ePWM type-5 enhancements include expansion of sync chain options, link and global load pulse selection flexibility, XCMP complex waveform generation, event capture capability, addition of diode emulation submodule and minimum dead-band and illegal combo logic submodule, and event trigger submodule enhancements to allow for unevenly spaced over-sampling of ePWM period.

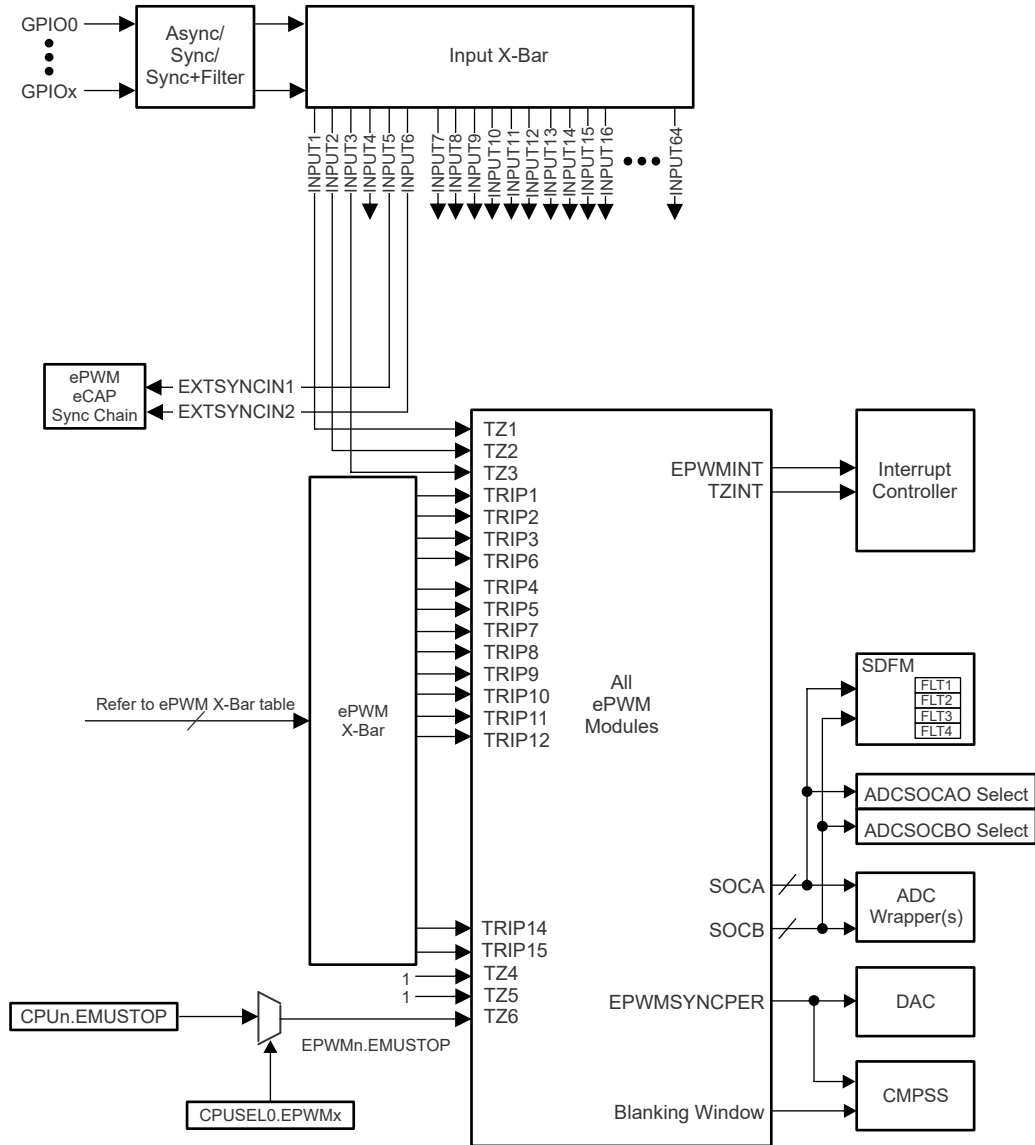
The ePWM and eCAP synchronization scheme on the device provides flexibility in partitioning the ePWM and eCAP modules and allows localized synchronization within the modules.

[Figure 6-66](#) shows the ePWM module. [Figure 6-67](#) shows the ePWM trip input connectivity.



A. These events are generated by the ePWM digital compare (DC) submodule based on the levels of the TRIPIN inputs.

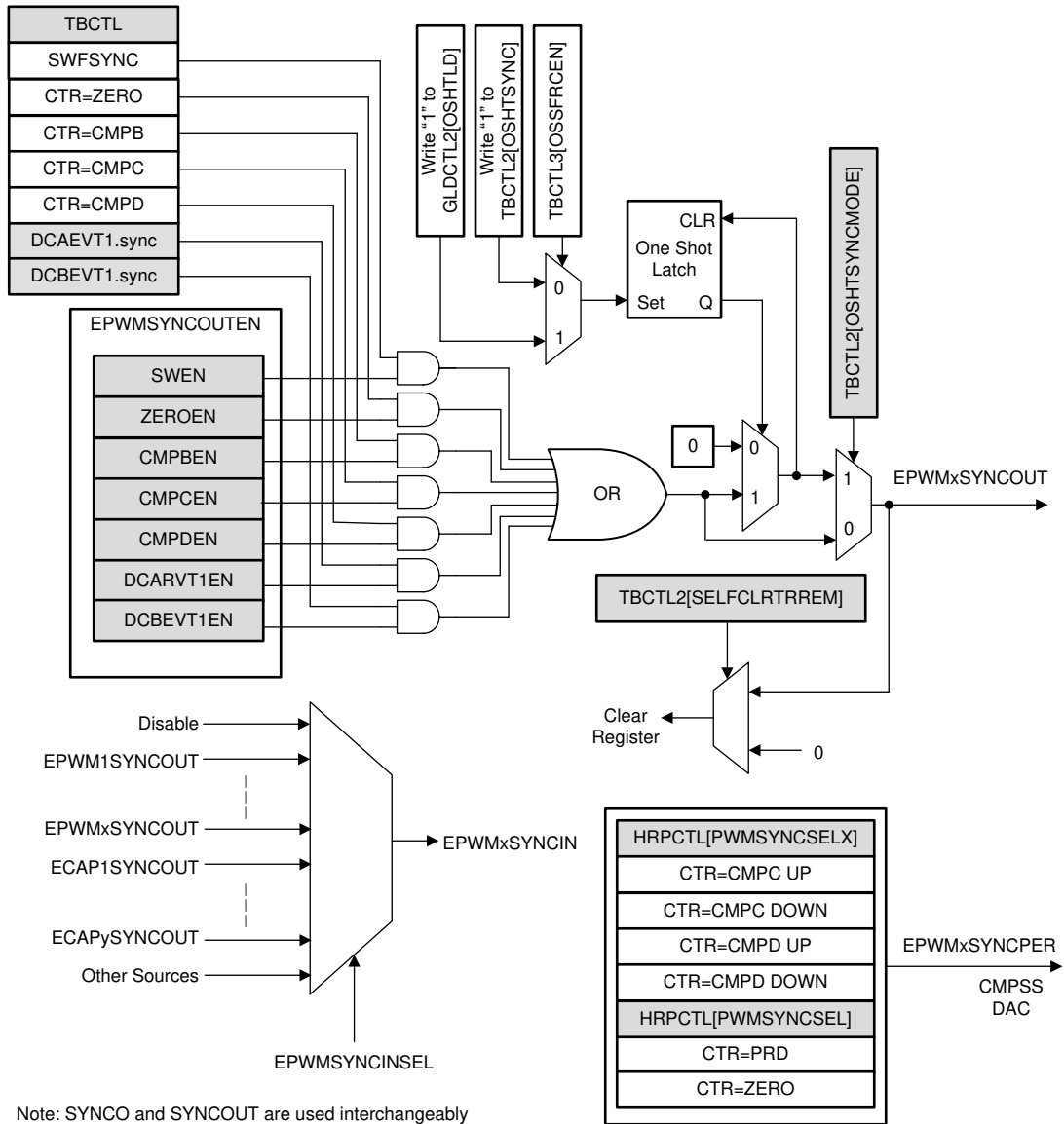
Figure 6-66. ePWM Submodules and Critical Internal Signal Interconnects



**Figure 6-67. ePWM Trip Input Connectivity**

### 6.18.3.1 Control Peripherals Synchronization

The ePWM and eCAP synchronization scheme on the device provides flexibility in partitioning the ePWM and eCAP modules and allows localized synchronization within the modules. Figure 6-68 shows the synchronization scheme.



**Figure 6-68. Synchronization Chain Architecture**

### 6.18.3.2 ePWM Electrical Data and Timing

For an explanation of the input qualifier parameters, see the *General-Purpose Input Timing Requirements* table.

#### 6.18.3.2.1 ePWM Timing Requirements

|                        |                        | MIN                  | MAX                                           | UNIT   |
|------------------------|------------------------|----------------------|-----------------------------------------------|--------|
| $t_{w(\text{SYNCIN})}$ | Sync input pulse width | Asynchronous         | $2t_{c(\text{EPWMCLK})}$                      | cycles |
|                        |                        | Synchronous          | $2t_{c(\text{EPWMCLK})}$                      |        |
|                        |                        | With input qualifier | $1t_{c(\text{EPWMCLK})} + t_{w(\text{IQSW})}$ |        |

#### 6.18.3.2.2 ePWM Switching Characteristics

over recommended operating conditions (unless otherwise noted)

| PARAMETER <sup>(1)</sup> |                                                                       | MIN                     | MAX | UNIT   |
|--------------------------|-----------------------------------------------------------------------|-------------------------|-----|--------|
| $t_{w(\text{PWM})}$      | Pulse duration, PWMx output high/low                                  | 20                      |     | ns     |
| $t_{w(\text{SYNCOUT})}$  | Sync output pulse width                                               | $8t_{c(\text{SYSCLK})}$ |     | cycles |
| $t_{d(\text{TZ-PWM})}$   | Delay time, trip input active to PWM forced high                      |                         | 30  | ns     |
|                          | Delay time, trip input active to PWM forced low                       |                         |     |        |
|                          | Delay time, trip input active to PWM Hi-Z                             |                         |     |        |
| tskew                    | Skew of all ePWM outputs (Shortest Path) <sup>(2)</sup>               |                         | 5.1 | ns     |
| tskew                    | Skew of all ePWM outputs (Longest Path) <sup>(2)</sup>                |                         | 8.9 | ns     |
| tskew                    | Skew of all ePWM outputs through HRPWM (Shortest Path) <sup>(2)</sup> |                         | 5.1 | ns     |
| tskew                    | Skew of all ePWM outputs through HRPWM (Longest Path) <sup>(2)</sup>  |                         | 8.9 | ns     |

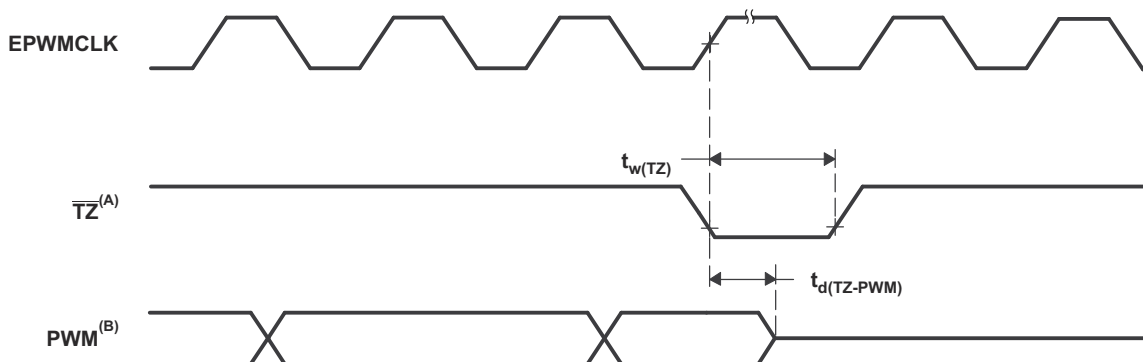
(1) 20-pF load on pin.

(2) The EPWMs have a similar configuration.

#### 6.18.3.2.3 Trip-Zone Input Timing

For an explanation of the input qualifier parameters, see the *General-Purpose Input Timing Requirements* table.

##### 6.18.3.2.3.1 PWM Hi-Z Characteristics Timing Diagram



A.  $\overline{\text{TZ}}$ :  $\overline{\text{TZ1}}$ ,  $\overline{\text{TZ2}}$ ,  $\overline{\text{TZ3}}$ , TRIP1–TRIP12

B. PWM refers to all the PWM pins in the device. The state of the PWM pins after  $\overline{\text{TZ}}$  is taken high depends on the PWM recovery software.

**Figure 6-69. PWM Hi-Z Characteristics**

### 6.18.4 External ADC Start-of-Conversion Electrical Data and Timing

#### 6.18.4.1 External ADC Start-of-Conversion Switching Characteristics

over recommended operating conditions (unless otherwise noted)

| PARAMETER        |                                           | MIN               | MAX | UNIT   |
|------------------|-------------------------------------------|-------------------|-----|--------|
| $t_{w(ADCSOCL)}$ | Pulse duration, $\overline{ADCSOCxO}$ low | $32t_{c(SYSCLK)}$ |     | cycles |

#### 6.18.4.2 $\overline{ADCSOCAO}$ or $\overline{ADCSOCBO}$ Timing Diagram

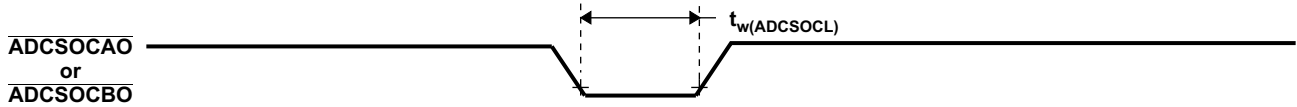


Figure 6-70.  $\overline{ADCSOCAO}$  or  $\overline{ADCSOCBO}$  Timing

### 6.18.5 High-Resolution Pulse Width Modulator (HRPWM)

The HRPWM combines multiple delay lines in a single module and a simplified calibration system by using a dedicated calibration delay line. For each ePWM module, there are two HR outputs:

- HR Duty and Deadband control on Channel A
- HR Duty and Deadband control on Channel B

The HRPWM module offers PWM resolution (time granularity) that is significantly better than what can be achieved using conventionally derived digital PWM methods. The key points for the HRPWM module are:

- Significantly extends the time resolution capabilities of conventionally derived digital PWM
- This capability can be used in both single edge (duty cycle and phase-shift control) as well as dual edge control for frequency/period modulation.
- Finer time granularity control or edge positioning is controlled through extensions to the Compare A, B, phase, period and deadband registers of the ePWM module.

#### 6.18.5.1 HRPWM Electrical Data and Timing

##### 6.18.5.1.1 High-Resolution PWM Characteristics

| PARAMETER                                             | MIN | TYP | MAX | UNIT |
|-------------------------------------------------------|-----|-----|-----|------|
| Micro Edge Positioning (MEP) step size <sup>(1)</sup> | 43  | 75  | 152 | ps   |

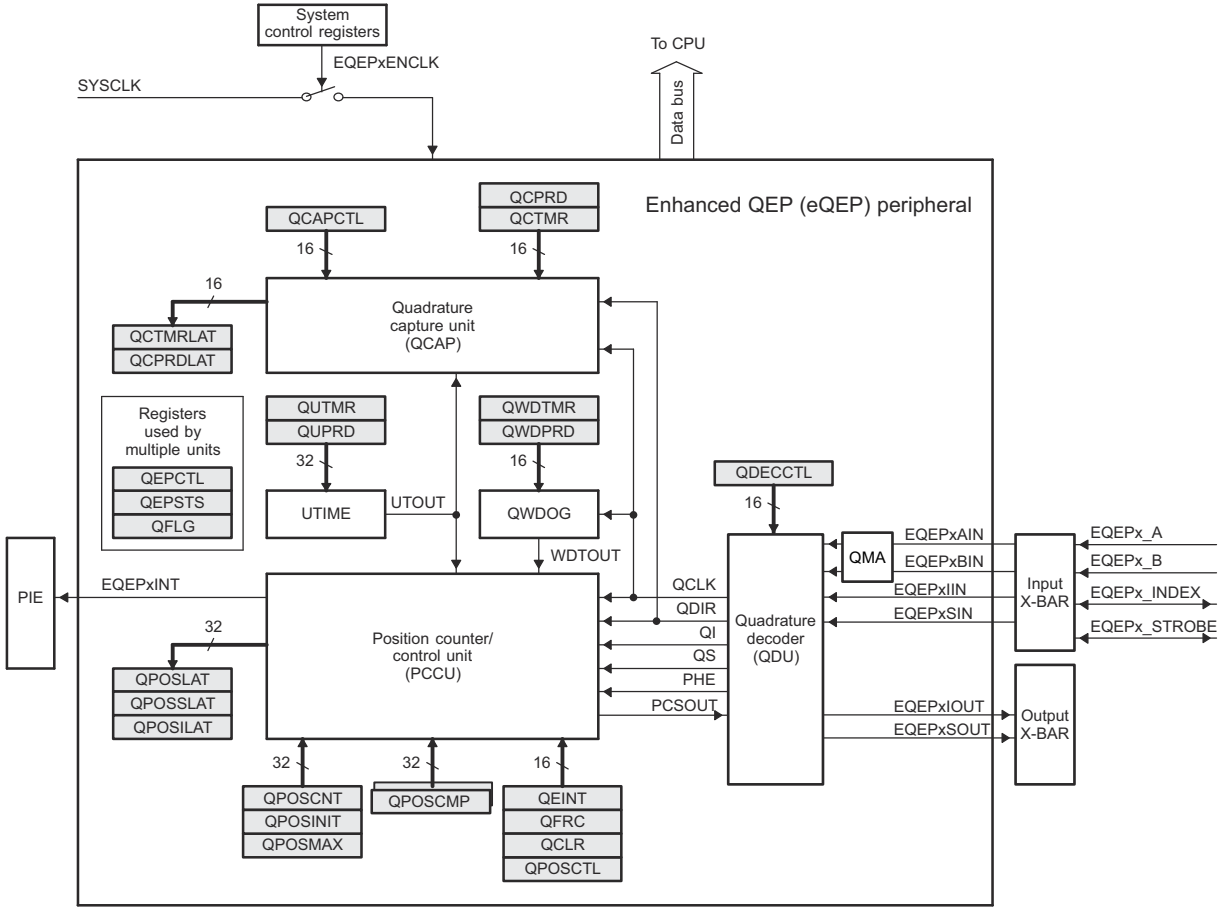
- (1) The MEP step size will be largest at high temperature and minimum voltage on  $V_{DD}$ . MEP step size will increase with higher temperature and lower voltage and decrease with lower temperature and higher voltage. Applications that use the HRPWM feature should use MEP Scale Factor Optimizer (SFO) estimation software functions. See the TI software libraries for details of using SFO functions in end applications. SFO functions help to estimate the number of MEP steps per SYSCLK period dynamically while the HRPWM is in operation.

### 6.18.6 Enhanced Quadrature Encoder Pulse (eQEP)

The eQEP module on this device is Type-2. The eQEP interfaces directly with linear or rotary incremental encoders to obtain position, direction, and speed information from rotating machines used in high-performance motion and position control systems.

The eQEP peripheral contains the following major functional units (see [Figure 6-71](#)):

- Programmable input qualification for each pin (part of the GPIO MUX)
- Quadrature decoder unit (QDU)
- Position counter and control unit for position measurement (PCCU)
- Quadrature edge-capture unit for low-speed measurement (QCAP)
- Unit time base for speed/frequency measurement (UTIME)
- Watchdog timer for detecting stalls (QWDOG)
- Quadrature Mode Adapter (QMA)



**Figure 6-71. eQEP Block Diagram**

### 6.18.6.1 eQEP Electrical Data and Timing

For an explanation of the input qualifier parameters, see the *General-Purpose Input Timing Requirements* table.

#### 6.18.6.1.1 eQEP Timing Requirements

|                 |                           |                                  | MIN | MAX                               | UNIT   |
|-----------------|---------------------------|----------------------------------|-----|-----------------------------------|--------|
| $t_{w(QEPP)}$   | QEP input period          | Synchronous <sup>(1)</sup>       |     | $2t_{c(SYSCLK)}$                  | cycles |
| $t_{w(QEPP)}$   | QEP input period          | Synchronous with input qualifier |     | $2[1t_{c(SYSCLK)} + t_{w(IQSW)}]$ | cycles |
| $t_{w(INDEXH)}$ | QEP Index Input High time | Synchronous <sup>(1)</sup>       |     | $2t_{c(SYSCLK)}$                  | cycles |
| $t_{w(INDEXH)}$ | QEP Index Input High time | Synchronous with input qualifier |     | $2t_{c(SYSCLK)} + t_{w(IQSW)}$    | cycles |
| $t_{w(INDEXL)}$ | QEP Index Input Low time  | Synchronous <sup>(1)</sup>       |     | $2t_{c(SYSCLK)}$                  | cycles |
| $t_{w(INDEXL)}$ | QEP Index Input Low time  | Synchronous with input qualifier |     | $2t_{c(SYSCLK)} + t_{w(IQSW)}$    | cycles |
| $t_{w(STROBH)}$ | QEP Strobe High time      | Synchronous <sup>(1)</sup>       |     | $2t_{c(SYSCLK)}$                  | cycles |
| $t_{w(STROBH)}$ | QEP Strobe High time      | Synchronous with input qualifier |     | $2t_{c(SYSCLK)} + t_{w(IQSW)}$    | cycles |
| $t_{w(STROBL)}$ | QEP Strobe Input Low time | Synchronous <sup>(1)</sup>       |     | $2t_{c(SYSCLK)}$                  | cycles |
| $t_{w(STROBL)}$ | QEP Strobe Input Low time | Synchronous with input qualifier |     | $2t_{c(SYSCLK)} + t_{w(IQSW)}$    | cycles |

(1) The GPIO GPxQSELn Asynchronous mode should not be used for eQEP module input pins.

#### 6.18.6.1.2 eQEP Switching Characteristics

over recommended operating conditions (unless otherwise noted)

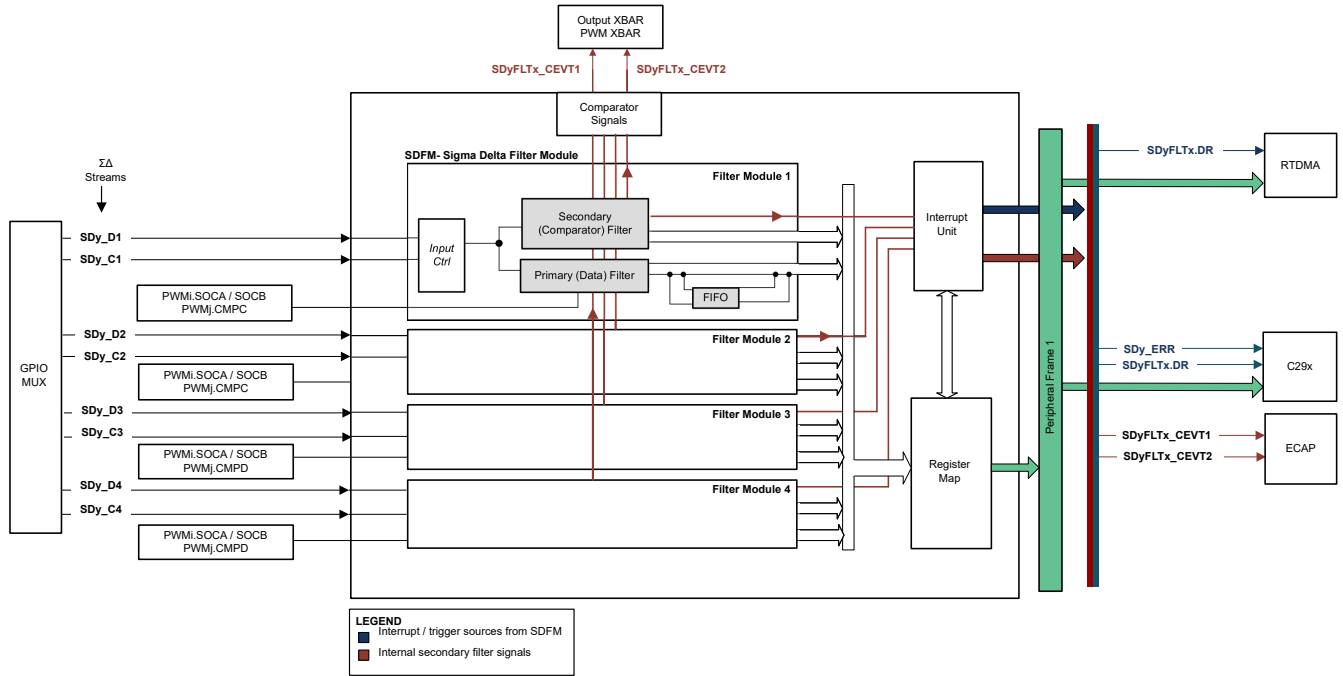
| PARAMETER           |                                                            | MIN | MAX              | UNIT   |
|---------------------|------------------------------------------------------------|-----|------------------|--------|
| $t_{d(CNTR)xin}$    | Delay time, external clock to counter increment            |     | $5t_{c(SYSCLK)}$ | cycles |
| $t_{d(PCS-OUT)QEP}$ | Delay time, QEP input edge to position compare sync output |     | $7t_{c(SYSCLK)}$ | cycles |

### 6.18.7 Sigma-Delta Filter Module (SDFM)

SDFM features include:

- Eight external pins per SDFM module
  - Four sigma-delta data input pins per SDFM module (SD-Dx, where x = 1 to 4)
  - Four sigma-delta clock input pins per SDFM module (SD-Cx, where x = 1 to 4)
- Different configurable modulator clock modes supported:
  - Mode 0: Modulator clock rate equals the modulator data rate.
- Four independent, configurable secondary filter (comparator) units per SDFM module:
  - Four different filter type selection (Sinc1/Sinc2/SincFast/Sinc3) options available
  - Ability to detect over-value condition, under-value condition, and Threshold-crossing conditions
    1. Two independent Higher Threshold comparators (used to detect over-value condition)
    2. Two independent Lower Threshold comparators (used to detect under-value condition)
    3. One independent Threshold-Crossing comparator (used to measure duty cycle/frequency with eCAP)
  - OSR value for comparator filter unit (COSR) programmable from 1 to 32
- Four independent configurable primary filter (data filter) units per SDFM module:
  - Four different filter type selection (Sinc1/Sinc2/SincFast/Sinc3) options available
  - OSR value for data filter unit (DOSR) programmable from 1 to 256
  - Ability to enable or disable (or both) individual filter module
  - Ability to synchronize all four independent filters of an SDFM module by using the Main Filter Enable (MFE) bit or by using PWM signals
- Data filter output can be represented in either 16 bits or 32 bits.
- Data filter unit has a programmable mode FIFO to reduce interrupt overhead. The FIFO has the following features:
  - The primary filter (data filter) has a 16-deep x 32-bit FIFO.
  - The FIFO can interrupt the CPU after programmable number of data-ready events.
  - FIFO Wait-for-Sync feature: Ability to ignore data-ready events until the PWM synchronization signal (SDSYNC) is received. Once the SDSYNC event is received, the FIFO is populated on every data-ready event.
  - Data filter output can be represented in either 16 bits or 32 bits.
- PWMx.SOCA/SOCB can be configured to serve as SDSYNC source on a per-data-filter-channel basis.
- PWMs can be used to generate a modulator clock for sigma-delta modulators.
- Configurable Input Qualification available for both SD-Cx and SD-Dx
- Ability to use one filter channel clock (SD-C1) to provide clock to other filter clock channels.
- Configurable digital filter available on comparator filter events to blank out comparator events caused by spurious noise

Figure 6-72 shows the SDFM module block diagram.



**Figure 6-72. Sigma Delta Filter Module (SDFM) Block Diagram**

### 6.18.7.1 SDFM Electrical Data and Timing

#### 6.18.7.1.1 SDFM Electrical Data and Timing (Synchronized GPIO)

When using this synchronized GPIO mode, the timing requirement for  $t_{w(GPI)}$  pulse duration of  $2t_{c(SYSCLK)}$  must be met. It is important for both SD-Cx and SD-Dx pairs to be configured with the SYNC option. This section lists the SDFM timing requirements when using the synchronized GPIO (SYNC) option. Figure 6-73 shows the SDFM timing diagram.

The *SDFM Timing Requirements When Using Synchronized GPIO - SYNC Option* table lists the SDFM timing requirements. The following configurations should be made:

- SDFM GPIO pins should be configured in SYNC mode only (using GPYQSELn = 00b).
- Both SDx-Cy and SDx-Dy signals should NOT be synchronized to PLLRAWCLK (using SDCTLPARMx.SDDATASYNC / SDCLKSYNC = 0b).

#### Note

The SDFM Synchronized GPIO (SYNC) option provides protection against SDFM module corruption due to occasional random noise glitches on the SDx\_Cy pin that may result in a false comparator trip and filter output.

The SDFM Synchronized GPIO (SYNC) mode does not provide protection against persistent violations of the above timing requirements. Timing violations will result in data corruption proportional to the number of bits which violate the requirements.

#### 6.18.7.1.2 SDFM Electrical Data and Timing (Using ASYNC)

The *SDFM Timing Requirements When Using Asynchronous GPIO ASYNC Option* table lists the SDFM timing requirements. The following configurations should be made:

- SDFM GPIO pins should be configured in ASYNC mode only (using GPYQSELn = 0b11).
- Both SDx-Cy and SDx-Dy signals need to be synchronized to PLLRAWCLK (using SDCTLPARMx registers).

Figure 6-73 shows the SDFM timing diagram.

##### 6.18.7.1.2.1 SDFM Timing Requirements When Using Asynchronous GPIO ASYNC Option

|                                                                         |                                                  | MIN                        | MAX                           | UNIT |
|-------------------------------------------------------------------------|--------------------------------------------------|----------------------------|-------------------------------|------|
| <b>Mode 0</b>                                                           |                                                  |                            |                               |      |
| $t_{c(SDC)M0}$                                                          | Cycle time, SDx_Cy                               | $4 * t_{c(PLLRAWCLK)}$     | $256 * SYSCLK \text{ period}$ | ns   |
| $t_{w(SDDHL)M0}$                                                        | Pulse duration, SDx_Dy (high / Low)              | $2 * t_{c(PLLRAWCLK)}$     |                               | ns   |
| $t_{su(SDDV-SDCH)M0}$                                                   | Setup time, SDx_Dy valid before SDx_Cy goes high | $1 * t_{c(PLLRAWCLK)} + 3$ |                               | ns   |
| $t_{h(SDCH-SDD)M0}$                                                     | Hold time, SDx_Dy wait after SDx_Cy goes high    | $1 * t_{c(PLLRAWCLK)} + 3$ |                               | ns   |
| <b>SDFM Timing Requirements When Using Synchronous GPIO SYNC Option</b> |                                                  |                            |                               |      |

##### 6.18.7.1.2.2 SDFM Timing Requirements When Using Synchronous GPIO SYNC Option

|                       |                                                  | MIN                         | MAX                           | UNIT |
|-----------------------|--------------------------------------------------|-----------------------------|-------------------------------|------|
| <b>Mode 0</b>         |                                                  |                             |                               |      |
| $t_{c(SDC)M0}$        | Cycle time, SDx_Cy                               | $5 * SYSCLK \text{ period}$ | $256 * SYSCLK \text{ period}$ | ns   |
| $t_{w(SDDHL)M0}$      | Pulse duration, SDx_Dy (high / Low)              | $2 * SYSCLK \text{ period}$ |                               | ns   |
| $t_{su(SDDV-SDCH)M0}$ | Setup time, SDx_Dy valid before SDx_Cy goes high | $2 * SYSCLK \text{ period}$ |                               | ns   |
| $t_{h(SDCH-SDD)M0}$   | Hold time, SDx_Dy wait after SDx_Cy goes high    | $2 * SYSCLK \text{ period}$ |                               | ns   |

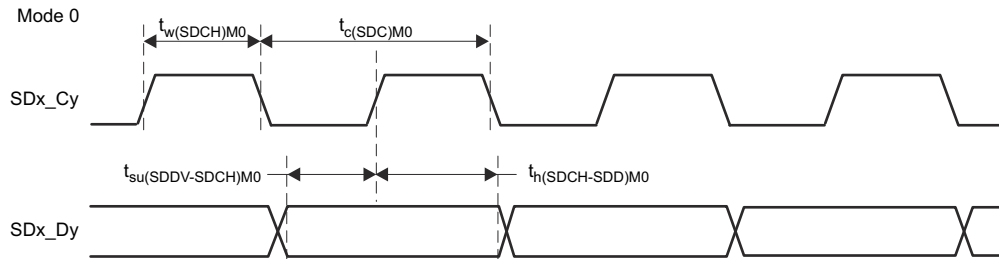
6.18.7.1.3 SDFM Timing Diagram

**WARNING**

Special precautions should be taken on both SD-Cx and SD-Dx signals to ensure a clean and noise-free signal that meets SDFM timing requirements. Precautions such as series termination resistors for ringing noise due to any impedance mismatch of clock driver and spacing of traces from other noisy signals are recommended.

**Note**

The SDFM SD-Cx and SD-Dx signals, when synchronized to PLLRAWCLK, provide protection against SDFM module corruption due to occasional random noise glitches that may result in a false comparator trip and filter output. However, the signals do not provide protection against persistent violations of the above timing requirements. Timing violations will result in data corruption proportional to the number of bits which violate the requirements.



**Figure 6-73. SDFM Timing Diagram – Mode 0**

## 6.19 C29x Communications Peripherals

### Note

TI is transitioning to use more inclusive terminology. Some language may be different than what you would expect to see for certain technology areas.

### Note

For the actual number of each peripheral on a specific device, see the Device Comparison table.

### 6.19.1 Modular Controller Area Network (MCAN)

The Controller Area Network (CAN) is a serial communications protocol that efficiently supports distributed real-time control with a high level of reliability. CAN has high immunity to electrical interference and the ability to detect various type of errors. In CAN, many short messages are broadcast to the entire network, which provides data consistency in every node of the system.

The MCAN module supports both classic CAN and CAN FD (CAN with flexible data-rate) protocols. The CAN FD feature allows higher throughput and increased payload per data frame. Classic CAN and CAN FD devices may coexist on the same network without any conflict provided that partial network transceivers, which can detect and ignore CAN FD without generating bus errors, are used by the classic CAN devices. The MCAN module is compliant to ISO 11898-1:2015.

### Note

The availability of the CAN FD feature is dependent on the device's part number.

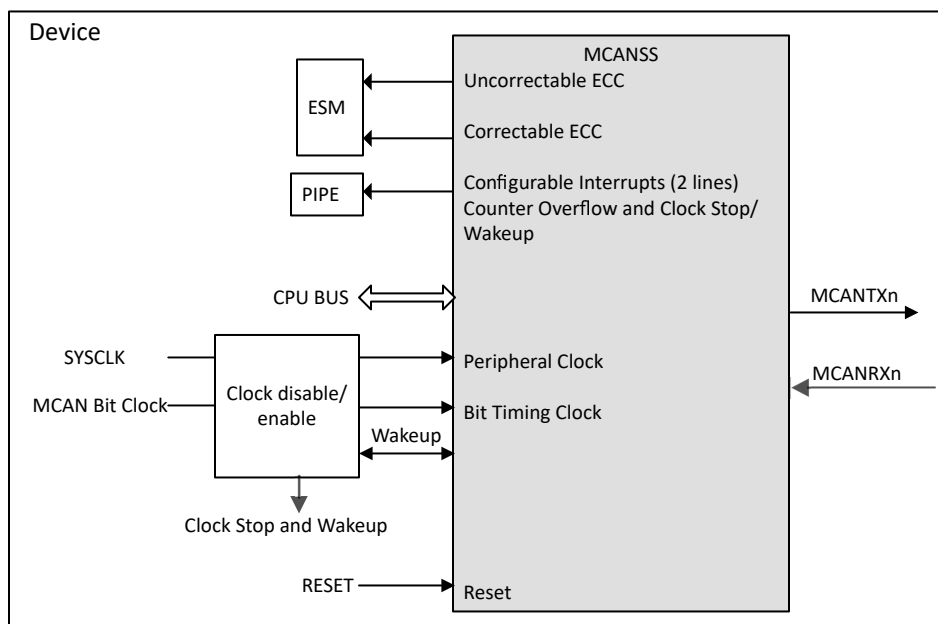


Figure 6-74. MCAN Module Overview

The MCAN module implements the following features:

- Conforms with CAN Protocol 2.0 A, B and ISO 11898-1:2015
- Full CAN FD support (up to 64 data bytes)
- AUTOSAR and SAE J1939 support
- Flexible Message RAM allocation (maximum configuration below is for a device with 4352 32-bit word message RAM)
  - Up to 32 dedicated transmit buffers
  - Configurable transmit FIFO, up to 32 elements
  - Configurable transmit queue, up to 32 elements
  - Configurable transmit Event FIFO, up to 32 elements
  - Up to 64 dedicated receive buffers
  - Two configurable receive FIFOs, up to 64 elements each
  - Up to 128 filter elements
- Loop-back mode for self-test
- Maskable interrupt (two configurable interrupt lines, correctable ECC, counter overflow and clock stop/wakeup)
- Non-maskable interrupt (uncorrectable ECC)
- Two clock domains (CAN clock/host clock)
- ECC check for Message RAM
- Clock stop and wake-up support
- Timestamp counter

Non-supported features:

- Host bus firewall
- Clock calibration
- Debug over CAN

### 6.19.2 Fast Serial Interface (FSI)

The Fast Serial Interface (FSI) module is a serial communication peripheral capable of reliable and robust high-speed communications. The FSI is designed to ensure data robustness across many system conditions such as chip-to-chip as well as board-to-board across an isolation barrier. Payload integrity checks such as CRC, start- and end-of-frame patterns, and user-defined tags, are encoded before transmit and then verified after receipt without additional CPU interaction. Line breaks can be detected using periodic transmissions, all managed and monitored by hardware. The FSI is also tightly integrated with other control peripherals on the device. To ensure that the latest sensor data or control parameters are available, frames can be transmitted on every control loop period. An integrated skew-compensation block has been added on the receiver to handle skew that may occur between the clock and data signals due to a variety of factors, including trace-length mismatch and skews induced by an isolation chip. With embedded data robustness checks, data-link integrity checks, skew compensation, and integration with control peripherals, the FSI can enable high-speed, robust communication in any system. These and many other features of the FSI follow.

The FSI module includes the following features:

- Independent transmitter and receiver cores
- Source-synchronous transmission
- Dual data rate (DDR)
- One or two data lines
- Programmable data length
- Skew adjustment block to compensate for board and system delay mismatches
- Frame error detection
- Programmable frame tagging for message filtering
- Hardware ping to detect line breaks during communication (ping watchdog)
- Two interrupts per FSI core
- Externally triggered frame generation
- Hardware- or software-calculated CRC
- Embedded ECC computation module
- Register write protection
- DMA support
- SPI compatibility mode (limited features available)

Operating the FSI at maximum speed (60 MHz) at dual data rate (120Mbps) may require the integrated skew compensation block to be configured according to the specific operating conditions on a case-by-case basis. The [Fast Serial Interface \(FSI\) Skew Compensation](#) Application Note provides example software on how to configure and set up the integrated skew compensation block on the Fast Serial Interface.

The FSI consists of independent transmitter (FSITX) and receiver (FSIRX) cores. The FSITX and FSIRX cores are configured and operated independently. The features available on the FSITX and FSIRX are described in the [FSI Transmitter](#) section and the [FSI Receiver](#)



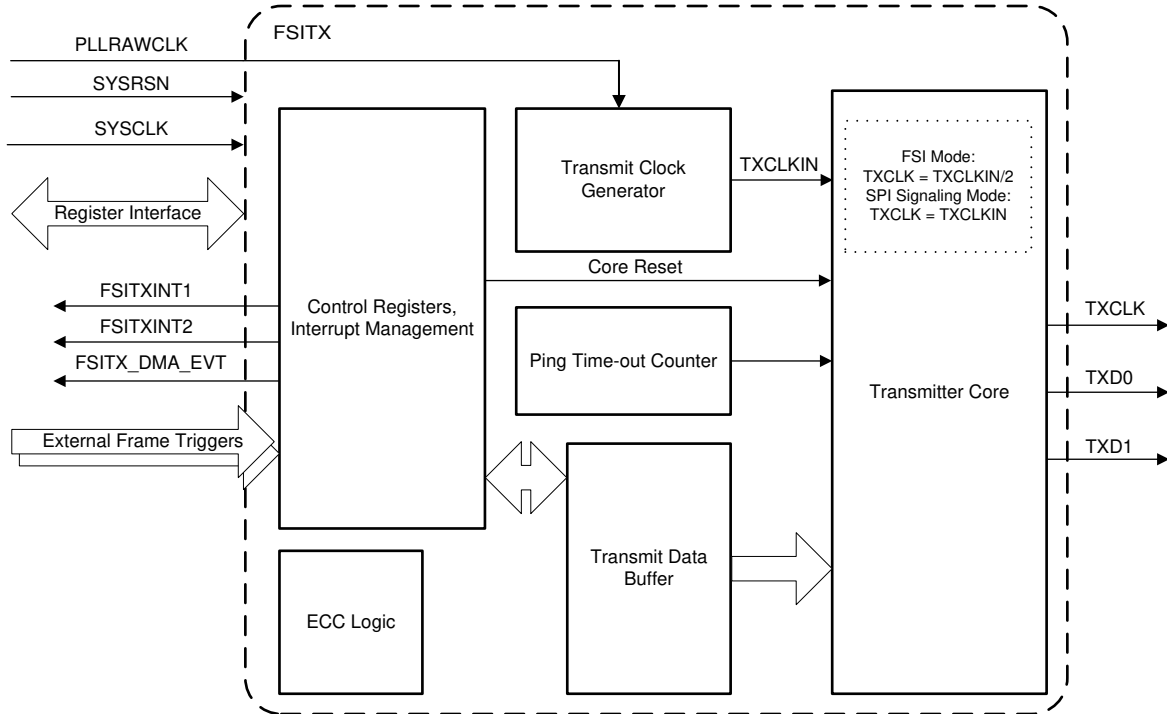


Figure 6-76. FSITX Block Diagram

### 6.19.2.1.1 FSITX Electrical Data and Timing

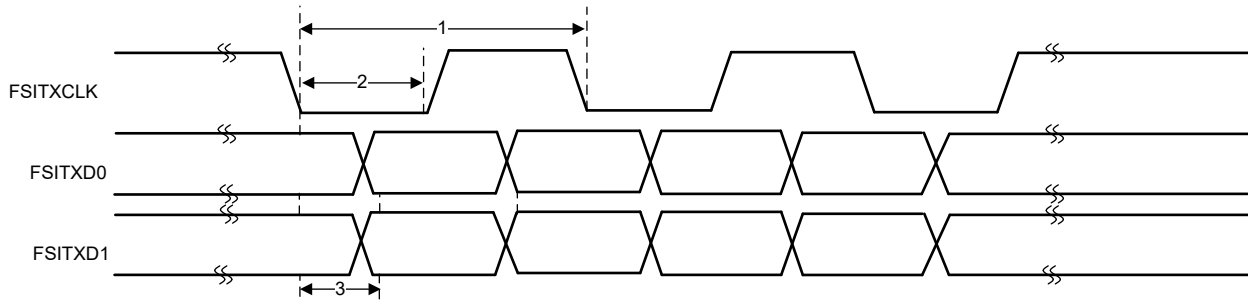
#### 6.19.2.1.1.1 FSITX Switching Characteristics

over operating free-air temperature range (unless otherwise noted)

| NO. | PARAMETER <sup>(1)</sup>    |                                                                        | MIN                           | MAX                           | UNIT |
|-----|-----------------------------|------------------------------------------------------------------------|-------------------------------|-------------------------------|------|
| 1   | $t_c(\text{TXCLK})$         | Cycle time, TXCLK                                                      | 16.67                         |                               | ns   |
| 2   | $t_w(\text{TXCLK})$         | Pulse width, TXCLK low or TXCLK high                                   | $(0.5t_c(\text{TXCLK})) - 1$  | $(0.5t_c(\text{TXCLK})) + 1$  | ns   |
| 3   | $t_d(\text{TXCLK-TXD})$     | Delay time, TXCLK rising or falling to TXD valid                       | $(0.25t_c(\text{TXCLK})) - 2$ | $(0.25t_c(\text{TXCLK})) + 2$ | ns   |
| 4   | $t_d(\text{TXCLK})$         | TXCLK delay compensation at TX_DLYLINE_CTRL[TXCLK_DLY]=31              | 9.95                          | 30                            | ns   |
| 5   | $t_d(\text{TXD0})$          | TXD0 delay compensation at TX_DLYLINE_CTRL[TXD0_DLY]=31                | 9.95                          | 30                            | ns   |
| 6   | $t_d(\text{TXD1})$          | TXD1 delay compensation at TX_DLYLINE_CTRL[TXD1_DLY]=31                | 9.95                          | 30                            | ns   |
| 7   | $t_d(\text{DELAY_ELEMENT})$ | Incremental delay of each delay line element for TXCLK, TXD0, and TXD1 | 0.29                          | 1                             | ns   |

(1) 10-pF load on pin.

### 6.19.2.1.1.2 FSITX Timings



**Figure 6-77. FSITX Timings**

### 6.19.2.2 FSI Receiver

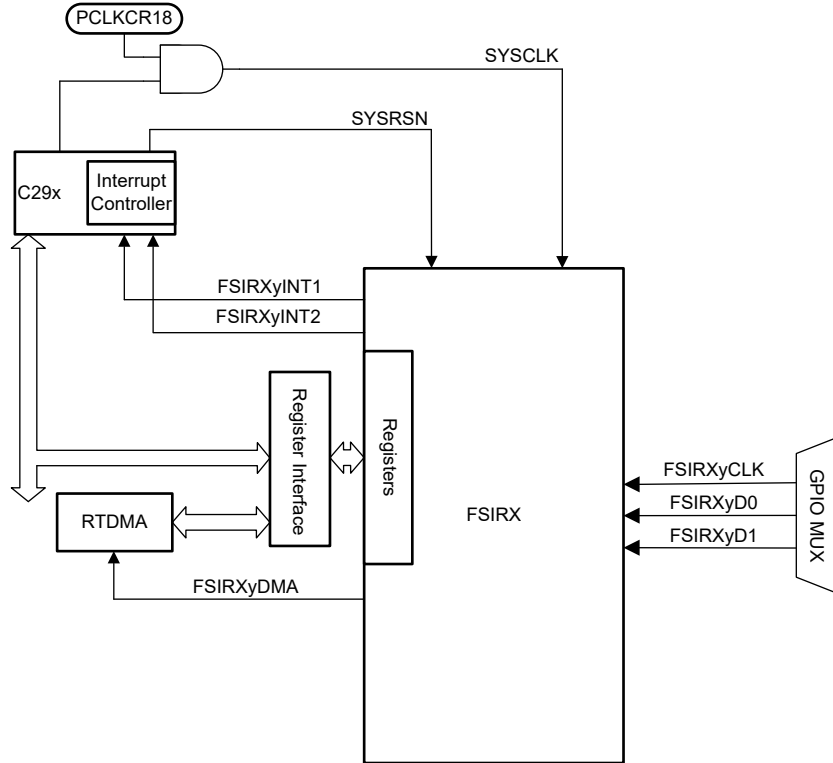
The receiver module interfaces to the FSI clock (RXCLK), and data lines (RXD0 and RXD1) after they pass through an optional programmable delay line. The receiver core handles the data framing, CRC computation, and frame-related error checking. The receiver bit clock and state machine are run by the RXCLK input, which is asynchronous to the device system clock.

The receiver control registers let the CPU program, control, and monitor the operation of the FSIRX. The receive data buffer is accessible by the CPU, and the DMA.

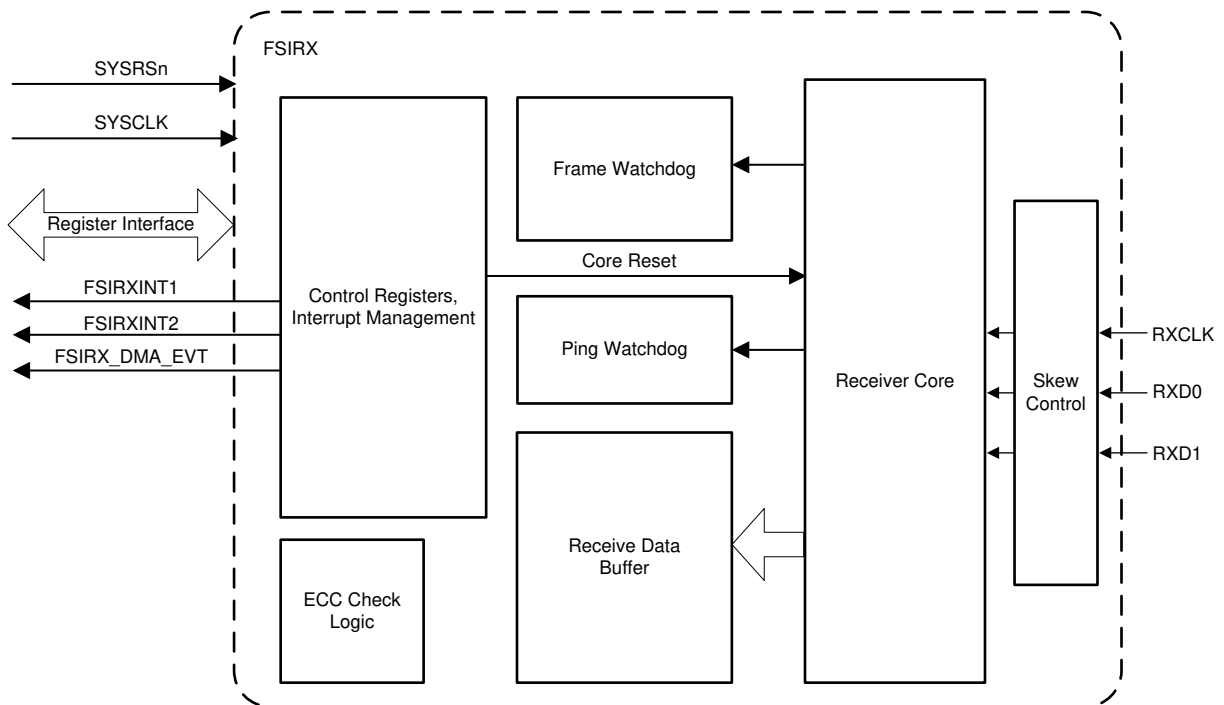
The receiver core has the following features:

- 16-word data buffer
- Multiple supported frame types
- Ping frame watchdog
- Frame watchdog
- CRC calculation and comparison in hardware
- ECC detection
- Programmable delay line control on incoming signals
- DMA support
- SPI compatibility mode

Figure 6-78 shows the FSIRX CPU interface. Figure 6-79 provides a high-level overview of the internal modules present in the FSIRX. Not all data paths and internal connections are shown.



**Figure 6-78. FSIRX CPU Interface**



**Figure 6-79. FSIRX Block Diagram**

**6.19.2.2.1 FSIRX Electrical Data and Timing**

**6.19.2.2.1.1 FSIRX Timing Requirements**

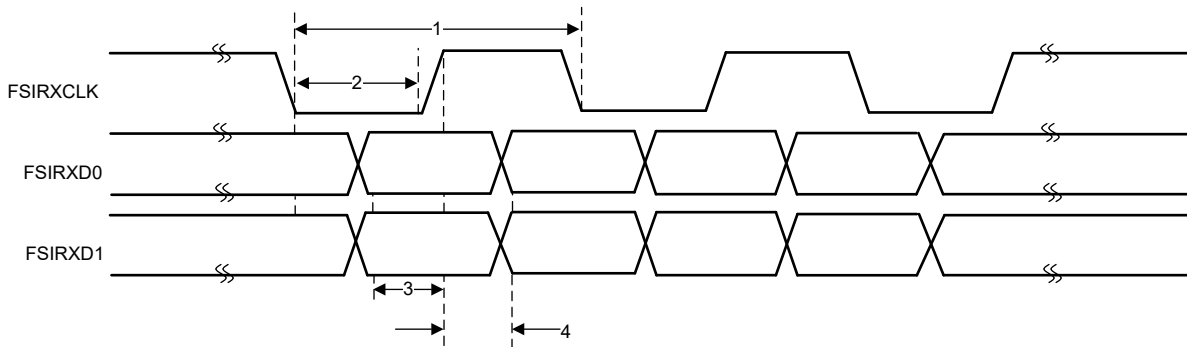
| NO. |                     |                                                                      | MIN                | MAX                | UNIT |
|-----|---------------------|----------------------------------------------------------------------|--------------------|--------------------|------|
| 1   | $t_{c(RXCLK)}$      | Cycle time, RXCLK                                                    | 19.417             |                    | ns   |
| 2   | $t_{w(RXCLK)}$      | Pulse width, RXCLK low or RXCLK high.                                | $0.35t_{c(RXCLK)}$ | $0.65t_{c(RXCLK)}$ | ns   |
| 3   | $t_{su(RXCLK-RXD)}$ | Setup time with respect to RXCLK, applies to both edges of the clock | 1.7                |                    | ns   |
| 4   | $t_{h(RXCLK-RXD)}$  | Hold time with respect to RXCLK, applies to both edges of the clock  | 2                  |                    | ns   |

**6.19.2.2.1.2 FSIRX Switching Characteristics**

| NO.  | PARAMETER <sup>(1)</sup>     |                                                                          | MIN  | MAX  | UNIT |
|------|------------------------------|--------------------------------------------------------------------------|------|------|------|
| 1    | $t_{d(RXCLK)}$               | RXCLK delay compensation at RX_DLYLINE_CTRL[RXCLK_DLY]=31                | 9.7  | 30   | ns   |
| 2    | $t_{d(RXD0)}$                | RXD0 delay compensation at RX_DLYLINE_CTRL[RXD0_DLY]=31                  | 9.7  | 30   | ns   |
| 3    | $t_{d(RXD1)}$                | RXD1 delay compensation at RX_DLYLINE_CTRL[RXD1_DLY]=31                  | 9.7  | 30   | ns   |
| 4    | $t_{d(DELAY\_ELEMENT)}$      | Incremental delay of each delay line element for RXCLK, RXD0, and RXD1   | 0.29 | 1    | ns   |
| TDM1 | $t_{skew(TDM\_CLK-TDM\_Dx)}$ | Delay skew introduced between RXCLK-TDM_CLK delay and RXDx-TDM_Dx delays | -3   | 3    | ns   |
| TDM1 | $t_{d(RXCLK-TDM\_CLK)}$      | Delay time, RXCLK input to TDM_CLK output                                | 2    | 19.5 | ns   |
| TDM2 | $t_{d(RXD0-TXD0)}$           | Delay time, RXD0 input to TXD0 output                                    | 2    | 19.5 | ns   |
| TDM3 | $t_{d(RXD1-TXD1)}$           | Delay time, RXD1 input to TXD1 output                                    | 2    | 19.5 | ns   |

(1) 10-pF load on pin.

**6.19.2.2.1.3 FSIRX Timings**



**Figure 6-80. FSIRX Timings**

### 6.19.2.3 FSI SPI Compatibility Mode

The FSI supports a SPI compatibility mode to enable communication with programmable SPI devices. In this mode, the FSI transmits its data in the same manner as a SPI in a single clock configuration mode. While the FSI is able to physically interface with a SPI in this mode, the external device must be able to encode and decode an FSI frame to communicate successfully. This is because the FSI transmits all SPI frame phases with the exception of the preamble and postamble. The FSI provides the same data validation and frame checking as if it was in standard FSI mode, allowing for more robust communication without consuming CPU cycles. The external SPI is required to send all relevant information and can access standard FSI features such as the ping frame watchdog on the FSIRX, frame tagging, or custom CRC values. The list of features of SPI compatibility mode follows:

- Data will transmit on rising edge and receive on falling edge of the clock.
- Only 16-bit word size is supported.
- TXD1 will be driven like an active-low chip-select signal. The signal will be low for the duration of the full frame transmission.
- No receiver chip-select input is required. RXD1 is not used. Data is shifted into the receiver on every active clock edge.
- No preamble or postamble clocks will be transmitted. All signals return to the idle state after the frame phase is finished.
- It is not possible to transmit in the SPI peripheral configuration because the FSI TXCLK cannot take an external clock source.

#### 6.19.2.3.1 FSITX SPI Signaling Mode Electrical Data and Timing

Special timings are not required for the FSIRX in SPI signaling mode. FSIRX timings listed in the *FSIRX Timing Requirements* table are applicable in SPI compatibility mode. Setup and Hold times are only valid on the falling edge of FSIRXCLK because this is the active edge in SPI signaling mode.

##### 6.19.2.3.1.1 FSITX SPI Signaling Mode Switching Characteristics

over operating free-air temperature range (unless otherwise noted)

| NO. | PARAMETER <sup>(1)</sup> |                                         | MIN                     | MAX                     | UNIT |
|-----|--------------------------|-----------------------------------------|-------------------------|-------------------------|------|
| 1   | $t_{c(TXCLK)}$           | Cycle time, TXCLK                       | 19.417                  |                         | ns   |
| 2   | $t_{w(TXCLK)}$           | Pulse width, TXCLK low or TXCLK high    | $(0.5t_{c(TXCLK)}) - 1$ | $(0.5t_{c(TXCLK)}) + 1$ | ns   |
| 3   | $t_{d(TXCLKH-TXD0)}$     | Delay time, TXD0 valid after TXCLK high |                         | 3                       | ns   |
| 4   | $t_{d(TXD1-TXCLK)}$      | Delay time, TXCLK high after TXD1 low   | $t_{w(TXCLK)} - 3$      |                         | ns   |
| 5   | $t_{d(TXCLK-TXD1)}$      | Delay time, TXD1 high after TXCLK low   | $t_{w(TXCLK)}$          |                         | ns   |

(1) 10-pF load on pin

##### 6.19.2.3.1.2 FSITX SPI Signaling Mode Timings

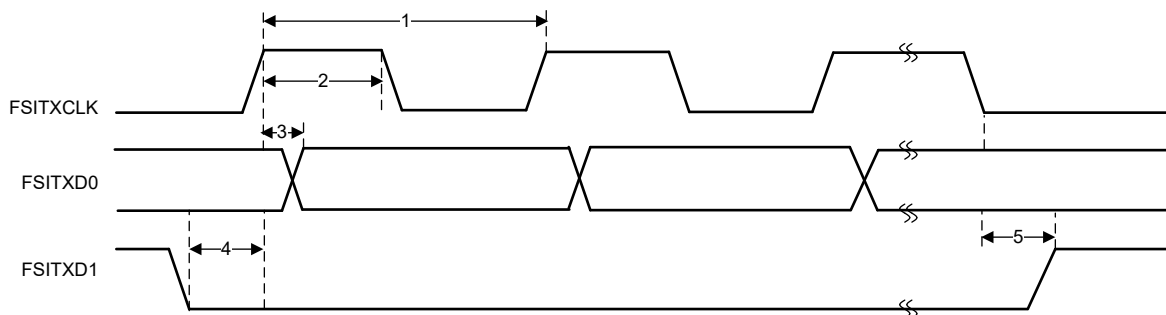


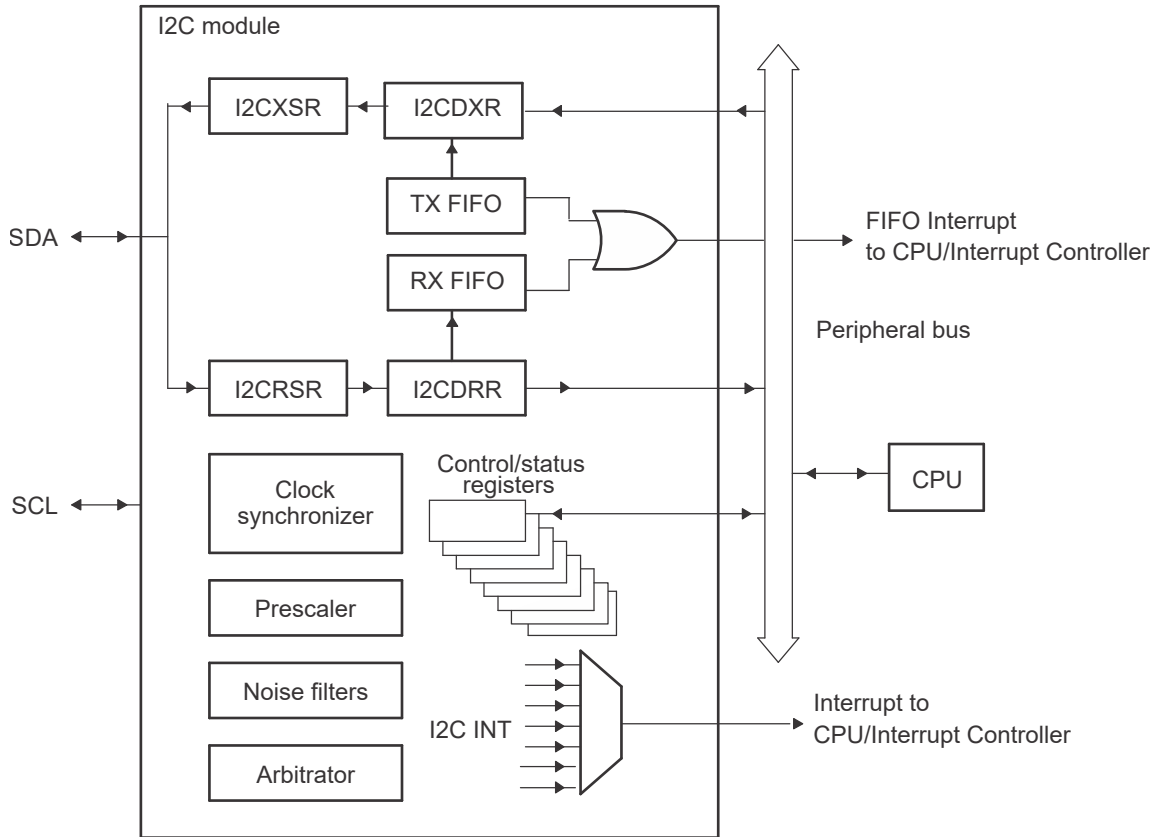
Figure 6-81. FSITX SPI Signaling Mode Timings

### 6.19.3 Inter-Integrated Circuit (I2C)

The I2C module has the following features:

- Compliance with the NXP Semiconductors I<sup>2</sup>C-bus specification (version 2.1):
  - Support for 8-bit format transfers
  - 7-bit and 10-bit addressing modes
  - General call
  - START byte mode
  - Support for multiple controller-transmitters and target-receivers
  - Support for multiple target-transmitters and controller-receivers
  - Combined controller transmit/receive and receive/transmit mode
  - Data transfer rate from 10Kbps up to 400Kbps (Fast-mode)
- Supports voltage thresholds compatible to:
- One 16-byte receive FIFO and one 16-byte transmit FIFO
- Supports two interrupts
  - I2Cx interrupt – Any of the below conditions can be configured to generate an I2Cx interrupt:
    - Transmit Ready
    - Receive Ready
    - Register-Access Ready
    - No-Acknowledgment
    - Arbitration-Lost
    - Stop Condition Detected
    - Addressed-as-Target
  - I2Cx\_FIFO interrupts:
    - Transmit FIFO interrupt
    - Receive FIFO interrupt
- Module enable and disable capability
- Free data format mode

Figure 6-82 shows how the I2C peripheral module interfaces within the device.



**Figure 6-82. I2C Peripheral Module Interfaces**

### 6.19.3.1 I2C Electrical Data and Timing

#### Note

To meet all of the I2C protocol timing specifications, the I2C module clock must be configured in the range from 7 MHz to 12 MHz.

A pullup resistor must be chosen to meet the I2C standard timings. In most circumstances, 2.2 kΩ of total bus resistance to VDDIO is sufficient. For evaluating pullup resistor values for a particular design, see the [I2C Bus Pullup Resistor Calculation](#) Application Note.

#### 6.19.3.1.1 I2C Timing Requirements

| NO.                  |                               |                                                            | MIN  | MAX  | UNIT |
|----------------------|-------------------------------|------------------------------------------------------------|------|------|------|
| <b>Standard mode</b> |                               |                                                            |      |      |      |
| T0                   | $f_{\text{mod}}$              | I2C module frequency                                       | 7    | 12   | MHz  |
| T1                   | $t_{\text{h(SDA-SCL)START}}$  | Hold time, START condition, SCL fall delay after SDA fall  | 4.0  |      | μs   |
| T2                   | $t_{\text{su(SCL-SDA)START}}$ | Setup time, Repeated START, SCL rise before SDA fall delay | 4.0  |      | μs   |
| T3                   | $t_{\text{h(SCL-DAT)}}$       | Hold time, data after SCL fall                             | 0    |      | μs   |
| T4                   | $t_{\text{su(DAT-SCL)}}$      | Setup time, data before SCL rise                           | 250  |      | ns   |
| T5                   | $t_{\text{r(SDA)}}$           | Rise time, SDA                                             |      | 1000 | ns   |
| T6                   | $t_{\text{r(SCL)}}$           | Rise time, SCL                                             |      | 1000 | ns   |
| T7                   | $t_{\text{f(SDA)}}$           | Fall time, SDA                                             |      | 300  | ns   |
| T8                   | $t_{\text{f(SCL)}}$           | Fall time, SCL                                             |      | 300  | ns   |
| T9                   | $t_{\text{su(SCL-SDA)STOP}}$  | Setup time, STOP condition, SCL rise before SDA rise delay | 4.0  |      | μs   |
| T10                  | $t_{\text{w(SP)}}$            | Pulse duration of spikes that will be suppressed by filter | 0    | 50   | ns   |
| T11                  | $C_{\text{b}}$                | capacitance load on each bus line                          |      | 400  | pF   |
| <b>Fast mode</b>     |                               |                                                            |      |      |      |
| T0                   | $f_{\text{mod}}$              | I2C module frequency                                       | 7    | 12   | MHz  |
| T1                   | $t_{\text{h(SDA-SCL)START}}$  | Hold time, START condition, SCL fall delay after SDA fall  | 0.6  |      | μs   |
| T2                   | $t_{\text{su(SCL-SDA)START}}$ | Setup time, Repeated START, SCL rise before SDA fall delay | 0.6  |      | μs   |
| T3                   | $t_{\text{h(SCL-DAT)}}$       | Hold time, data after SCL fall                             | 0    |      | μs   |
| T4                   | $t_{\text{su(DAT-SCL)}}$      | Setup time, data before SCL rise                           | 100  |      | ns   |
| T5                   | $t_{\text{r(SDA)}}$           | Rise time, SDA                                             | 20   | 300  | ns   |
| T6                   | $t_{\text{r(SCL)}}$           | Rise time, SCL                                             | 20   | 300  | ns   |
| T7                   | $t_{\text{f(SDA)}}$           | Fall time, SDA                                             | 11.4 | 300  | ns   |
| T8                   | $t_{\text{f(SCL)}}$           | Fall time, SCL                                             | 11.4 | 300  | ns   |
| T9                   | $t_{\text{su(SCL-SDA)STOP}}$  | Setup time, STOP condition, SCL rise before SDA rise delay | 0.6  |      | μs   |
| T10                  | $t_{\text{w(SP)}}$            | Pulse duration of spikes that will be suppressed by filter | 0    | 50   | ns   |
| T11                  | $C_{\text{b}}$                | capacitance load on each bus line                          |      | 400  | pF   |

### 6.19.3.1.2 I2C Switching Characteristics

over recommended operating conditions (unless otherwise noted)

| NO.                  | PARAMETER        | TEST CONDITIONS                                 | MIN                               | MAX  | UNIT       |
|----------------------|------------------|-------------------------------------------------|-----------------------------------|------|------------|
| <b>Standard mode</b> |                  |                                                 |                                   |      |            |
| S1                   | $f_{SCL}$        | SCL clock frequency                             | 0                                 | 100  | kHz        |
| S2                   | $T_{SCL}$        | SCL clock period                                | 10                                |      | $\mu$ s    |
| S3                   | $t_{w(SCLL)}$    | Pulse duration, SCL clock low                   | 4.7                               |      | $\mu$ s    |
| S4                   | $t_{w(SCLH)}$    | Pulse duration, SCL clock high                  | 4.0                               |      | $\mu$ s    |
| S5                   | $t_{BUF}$        | Bus free time between STOP and START conditions | 4.7                               |      | $\mu$ s    |
| S6                   | $t_{v(SCL-DAT)}$ | Valid time, data after SCL fall                 |                                   | 3.45 | $\mu$ s    |
| S7                   | $t_{v(SCL-ACK)}$ | Valid time, Acknowledge after SCL fall          |                                   | 3.45 | $\mu$ s    |
| S8                   | $I_I$            | Input current on pins                           | $0.1 V_{bus} < V_i < 0.9 V_{bus}$ | -10  | 10 $\mu$ A |
| <b>Fast mode</b>     |                  |                                                 |                                   |      |            |
| S1                   | $f_{SCL}$        | SCL clock frequency                             | 0                                 | 400  | kHz        |
| S2                   | $T_{SCL}$        | SCL clock period                                | 2.5                               |      | $\mu$ s    |
| S3                   | $t_{w(SCLL)}$    | Pulse duration, SCL clock low                   | 1.3                               |      | $\mu$ s    |
| S4                   | $t_{w(SCLH)}$    | Pulse duration, SCL clock high                  | 0.6                               |      | $\mu$ s    |
| S5                   | $t_{BUF}$        | Bus free time between STOP and START conditions | 1.3                               |      | $\mu$ s    |
| S6                   | $t_{v(SCL-DAT)}$ | Valid time, data after SCL fall                 |                                   | 0.9  | $\mu$ s    |
| S7                   | $t_{v(SCL-ACK)}$ | Valid time, Acknowledge after SCL fall          |                                   | 0.9  | $\mu$ s    |
| S8                   | $I_I$            | Input current on pins                           | $0.1 V_{bus} < V_i < 0.9 V_{bus}$ | -10  | 10 $\mu$ A |

### 6.19.3.1.3 I2C Timing Diagram

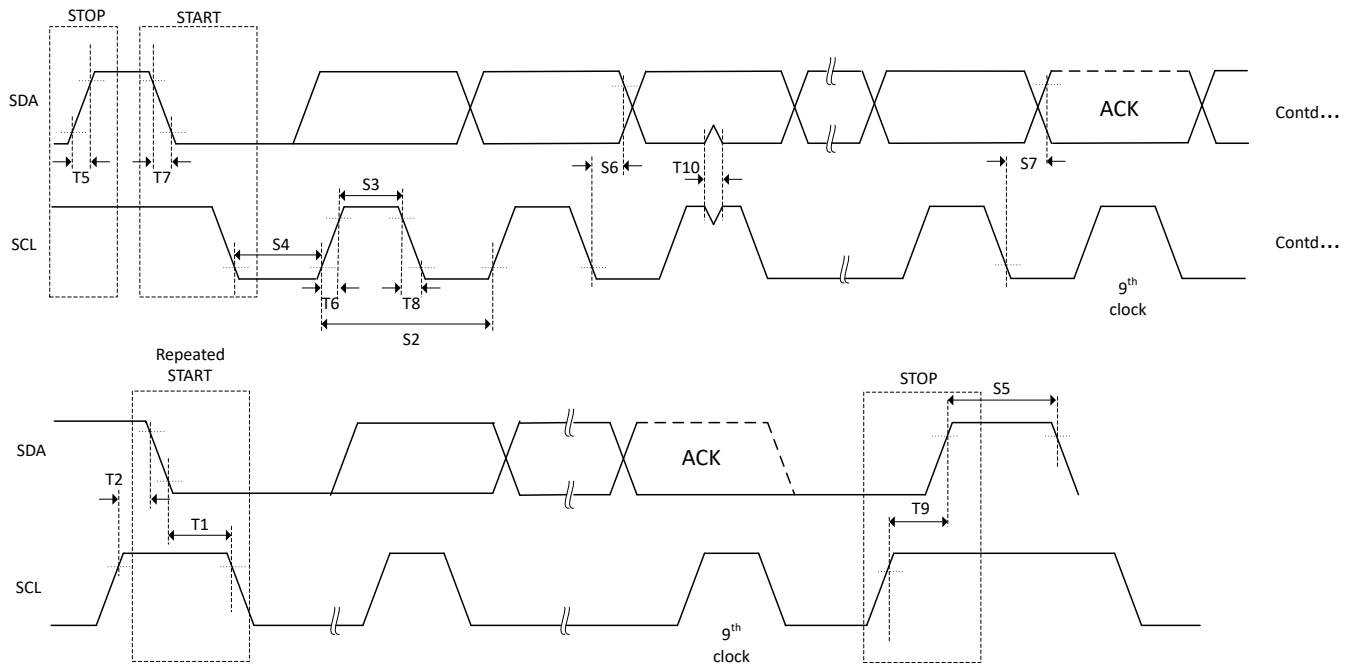
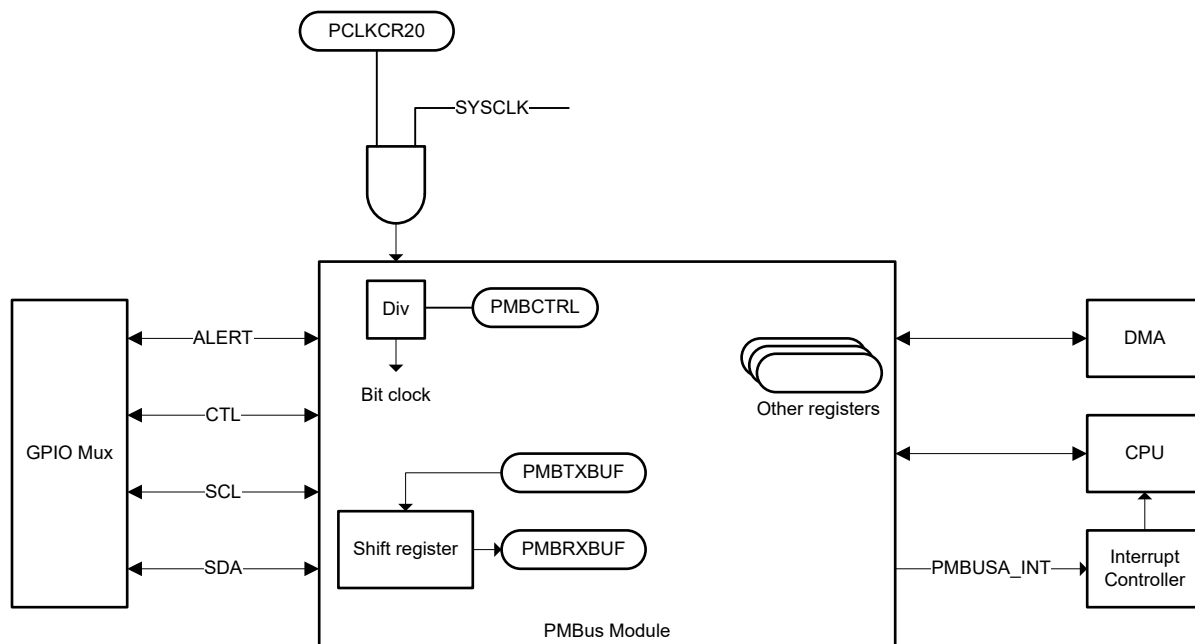


Figure 6-83. I2C Timing Diagram

### 6.19.4 Power Management Bus (PMBus) Interface

The PMBus module has the following features:

- Compliance with the SMI Forum PMBus Specification (Part I v1.0 and Part II v1.1)
- Supports voltage thresholds compatible to:
  - PMBus and below
  - SMBus and below
- Support for controller and target
- Support for I2C mode
- Support for speeds:
  - Standard Mode: Up to 100 kHz
  - Fast Mode: 400 kHz
- Packet error checking
- CONTROL and ALERT signals
- Clock high and low time-outs
- Four-byte transmit and receive buffers
- One maskable interrupt, which can be generated by several conditions:
  - Receive data ready
  - Transmit buffer empty
  - Target address received
  - End of message
  - ALERT input asserted
  - Clock low time-out
  - Clock high time-out
  - Bus free



**Figure 6-84. PMBus Block Diagram**

### 6.19.4.1 PMBus Electrical Data and Timing

#### 6.19.4.1.1 PMBus Electrical Characteristics

over recommended operating conditions (unless otherwise noted)

| PARAMETER       |                                                                   | TEST CONDITIONS                                              | MIN | TYP | MAX   | UNIT |
|-----------------|-------------------------------------------------------------------|--------------------------------------------------------------|-----|-----|-------|------|
| V <sub>IL</sub> | Valid low-level input voltage                                     |                                                              |     |     | 0.8   | V    |
| V <sub>IH</sub> | Valid high-level input voltage                                    |                                                              | 2.1 |     | VDDIO | V    |
| V <sub>OL</sub> | Low-level output voltage                                          | At I <sub>pullup</sub> = 4 mA                                |     |     | 0.4   | V    |
| I <sub>OL</sub> | Low-level output current                                          | V <sub>OL</sub> ≤ 0.4 V                                      | 4   |     |       | mA   |
| t <sub>SP</sub> | Pulse width of spikes that must be suppressed by the input filter |                                                              | 0   |     | 50    | ns   |
| I <sub>i</sub>  | Input leakage current on each pin                                 | 0.1 V <sub>bus</sub> < V <sub>i</sub> < 0.9 V <sub>bus</sub> | -10 |     | 10    | μA   |
| C <sub>i</sub>  | Capacitance on each pin                                           |                                                              |     |     | 10    | pF   |

#### 6.19.4.1.2 PMBus Fast Mode Switching Characteristics

over recommended operating conditions (unless otherwise noted)

| PARAMETER             |                                                                          | TEST CONDITIONS    | MIN                           | TYP | MAX | UNIT |
|-----------------------|--------------------------------------------------------------------------|--------------------|-------------------------------|-----|-----|------|
| F <sub>mod</sub>      | PMBus Module Clock Frequency <sup>(2)</sup>                              |                    | f <sub>(SYSCLK)</sub><br>/ 32 |     | 10  | MHz  |
| f <sub>SCL</sub>      | SCL clock frequency                                                      |                    | 10                            |     | 400 | kHz  |
| t <sub>BUF</sub>      | Bus free time between STOP and START conditions                          |                    | 1.3                           |     |     | μs   |
| t <sub>HD;STA</sub>   | START condition hold time -- SDA fall to SCL fall delay                  |                    | 0.6                           |     |     | μs   |
| t <sub>SU;STA</sub>   | Repeated START setup time -- SCL rise to SDA fall delay                  |                    | 0.6                           |     |     | μs   |
| t <sub>SU;STO</sub>   | STOP condition setup time -- SCL rise to SDA rise delay                  |                    | 0.6                           |     |     | μs   |
| t <sub>HD;DAT</sub>   | Data hold time after SCL fall                                            |                    | 300                           |     |     | ns   |
|                       | Data hold time after SCL fall<br>PMBCTRL_INC_1[ZH+EN] = 1 <sup>(1)</sup> |                    | 0                             |     |     | ns   |
| t <sub>SU;DAT</sub>   | Data setup time before SCL rise                                          |                    | 100                           |     |     | ns   |
| t <sub>Timeout</sub>  | Clock low time-out                                                       |                    | 25                            |     | 35  | ms   |
| t <sub>LOW</sub>      | Low period of the SCL clock                                              |                    | 1.3                           |     |     | μs   |
| t <sub>HIGH</sub>     | High period of the SCL clock                                             |                    | 0.6                           |     | 50  | μs   |
| t <sub>LOW;SEXT</sub> | Cumulative clock low extend time (target device)                         | From START to STOP |                               |     | 25  | ms   |
| t <sub>LOW;MEXT</sub> | Cumulative clock low extend time (controller device)                     | Within each byte   |                               |     | 10  | ms   |
| t <sub>r</sub>        | Rise time of SDA and SCL                                                 | 5% to 95%          | 20                            |     | 300 | ns   |
| t <sub>f</sub>        | Fall time of SDA and SCL                                                 | 95% to 5%          | 20                            |     | 300 | ns   |

(1) This bit must be set to enable 0ns hold time/SMBUS3.0 Compliance

(2) If the max clock is used all below timings will be met with the default register configurations for the PMBUS

### 6.19.4.1.3 PMBus Standard Mode Switching Characteristics

over recommended operating conditions (unless otherwise noted)

| PARAMETER      |                                                                          | TEST CONDITIONS    | MIN                    | TYP | MAX  | UNIT    |
|----------------|--------------------------------------------------------------------------|--------------------|------------------------|-----|------|---------|
| $F_{mod}$      | PMBus Module Clock Frequency <sup>(2)</sup>                              |                    | $f_{(SYSCLK)}$<br>/ 32 |     | 10   | MHz     |
| $f_{SCL}$      | SCL clock frequency                                                      |                    | 10                     |     | 100  | kHz     |
| $t_{BUF}$      | Bus free time between STOP and START conditions                          |                    | 4.7                    |     |      | $\mu$ s |
| $t_{HD;STA}$   | START condition hold time -- SDA fall to SCL fall delay                  |                    | 4                      |     |      | $\mu$ s |
| $t_{SU;STA}$   | Repeated START setup time -- SCL rise to SDA fall delay                  |                    | 4.7                    |     |      | $\mu$ s |
| $t_{SU;STO}$   | STOP condition setup time -- SCL rise to SDA rise delay                  |                    | 4                      |     |      | $\mu$ s |
| $t_{HD;DAT}$   | Data hold time after SCL fall                                            |                    | 300                    |     |      | ns      |
|                | Data hold time after SCL fall<br>PMBCTRL_INC_1[ZH+EN] = 1 <sup>(1)</sup> |                    | 0                      |     |      | ns      |
| $t_{SU;DAT}$   | Data setup time before SCL rise                                          |                    | 250                    |     |      | ns      |
| $t_{Timeout}$  | Clock low time-out                                                       |                    | 25                     |     | 35   | ms      |
| $t_{LOW}$      | Low period of the SCL clock                                              |                    | 4.7                    |     |      | $\mu$ s |
| $t_{HIGH}$     | High period of the SCL clock                                             |                    | 4                      |     | 50   | $\mu$ s |
| $t_{LOW;SEXT}$ | Cumulative clock low extend time (target device)                         | From START to STOP |                        |     | 25   | ms      |
| $t_{LOW;MEXT}$ | Cumulative clock low extend time (controller device)                     | Within each byte   |                        |     | 10   | ms      |
| $t_r$          | Rise time of SDA and SCL                                                 |                    |                        |     | 1000 | ns      |
| $t_f$          | Fall time of SDA and SCL                                                 |                    |                        |     | 300  | ns      |

(1) This bit must be set to enable 0ns hold time/SMBUS3.0 Compliance

(2) If the max clock is used all below timings will be met with the default register configurations for the PMBUS

### 6.19.5 Serial Peripheral Interface (SPI)

The serial peripheral interface (SPI) is a high-speed synchronous serial input and output (I/O) port that allows a serial bit stream of programmed length (1 to 16 bits) to be shifted into and out of the device at a programmed bit-transfer rate. The SPI is normally used for communications between the MCU controller and external peripherals or another controller. Typical applications include external I/O or peripheral expansion through devices such as shift registers, display drivers, and analog-to-digital converters (ADCs). Multidevice communications are supported by the controller or peripheral operation of the SPI. The port supports a 16-level, receive and transmit FIFO for reducing CPU servicing overhead.

The SPI module features include:

- SPIPOCI: SPI peripheral-output/controller-input pin
- SPIPICO: SPI peripheral-input/controller-output pin
- SPIPTE: SPI peripheral transmit-enable pin
- SPICLK: SPI serial-clock pin
- Two operational modes: Controller and Peripheral
- Baud rate: 125 different programmable rates. The maximum baud rate that can be employed is limited by the maximum speed of the I/O buffers used on the SPI pins.
- Data word length: 1 to 16 data bits
- Four clocking schemes (controlled by clock polarity and clock phase bits) include:
  - Falling edge without phase delay: SPICLK active-high. SPI transmits data on the falling edge of the SPICLK signal and receives data on the rising edge of the SPICLK signal.
  - Falling edge with phase delay: SPICLK active-high. SPI transmits data one half-cycle ahead of the falling edge of the SPICLK signal and receives data on the falling edge of the SPICLK signal.
  - Rising edge without phase delay: SPICLK inactive-low. SPI transmits data on the rising edge of the SPICLK signal and receives data on the falling edge of the SPICLK signal.
  - Rising edge with phase delay: SPICLK inactive-low. SPI transmits data one half-cycle ahead of the rising edge of the SPICLK signal and receives data on the rising edge of the SPICLK signal.
- Simultaneous receive and transmit operation (transmit function can be disabled in software)
- Transmitter and receiver operations are accomplished through either interrupt-driven or polled algorithm
- 16-level transmit/receive FIFO
- RTDMA support
- High-speed mode
- Delayed transmit control
- 3-wire SPI mode
- SPIPTE inversion for digital audio interface receive mode on devices with two SPI modules

Figure 6-85 shows the SPI CPU interfaces.

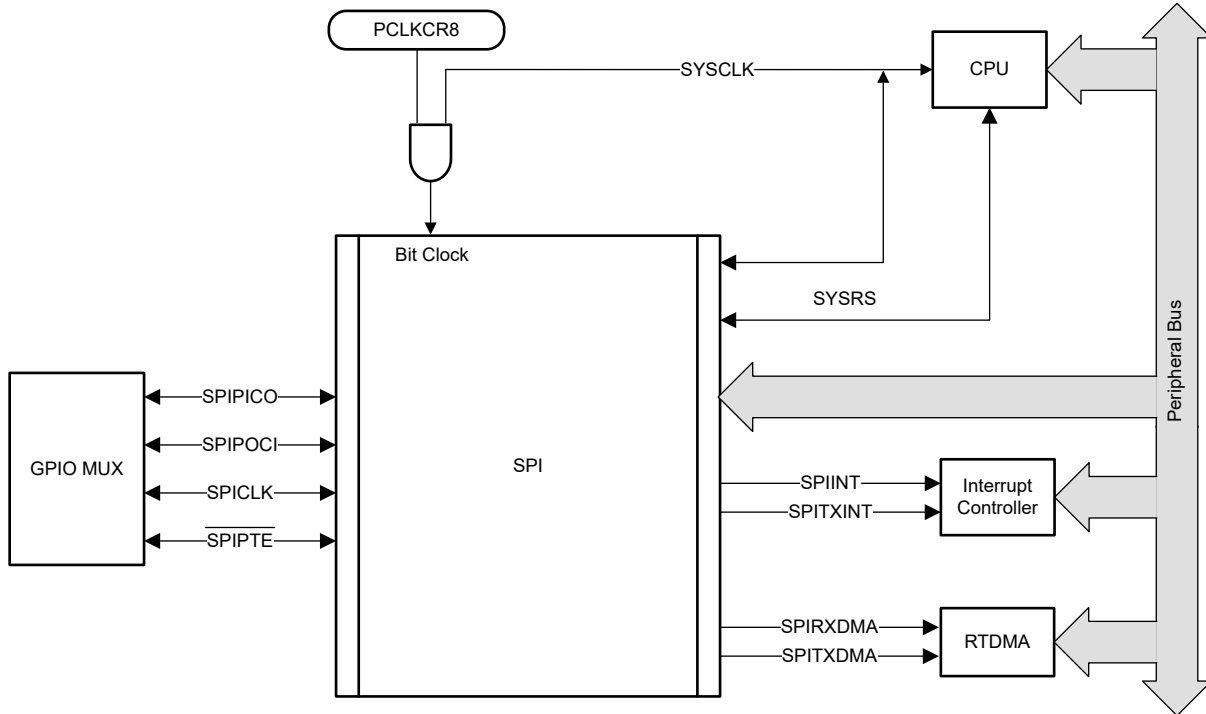


Figure 6-85. SPI CPU Interface

#### 6.19.5.1 SPI Controller Mode Timings

The following sections contain the SPI Controller Mode timings.

#### Note

All timing parameters for SPI High-Speed Mode assume a load capacitance of 5pF on SPICLK, SPIPICO, and SPIPOCI. In HS\_MODE, a maximum clock of 50MHz is supported.

In SPI controller mode, high-speed operation of SPI is supported when HS\_MODE is enabled and depending on the specific pins on which the SPICLK is brought out. To use the SPI in High-Speed mode, the application must use the high-speed enabled GPIOs listed in [SPI Controller Mode Timings](#). These GPIOs may also be used by the SPI when not in high-speed mode (HS\_MODE = 0).

Table 6-24. SPI Clocks for Supporting High-Speed Mode

| SPI Supporting High-Speed | SPICLK GPIO# | SPIPICO GPIO# | SPIPOCI GPIO# | SPIPTE GPIO# |
|---------------------------|--------------|---------------|---------------|--------------|
| SPICLKA                   | GPIO60       | GPIO58        | GPIO59        | GPIO61       |
| SPICLKB                   | GPIO65       | GPIO63        | GPIO64        | GPIO66       |
| SPICLKC                   | GPIO71       | GPIO69        | GPIO70        | GPIO72       |
| SPICLKD                   | GPIO93       | GPIO91        | GPIO92        | GPIO94       |
| SPICLKE                   | GPIO12       | GPIO8         | GPIO9         | GPIO11       |

### 6.19.5.1.1 SPI Controller Mode Switching Characteristics Clock Phase 0

over recommended operating conditions (unless otherwise noted)

| NO.                    | PARAMETER <sup>(1) (2)</sup> | (BRR + 1) CONDITION <sup>(3)</sup>                 | MIN       | MAX                                     | UNIT                                    |    |
|------------------------|------------------------------|----------------------------------------------------|-----------|-----------------------------------------|-----------------------------------------|----|
| <b>General</b>         |                              |                                                    |           |                                         |                                         |    |
| 1                      | $t_{c(SPC)M}$                | Cycle time, SPICLK                                 | Even      | $4t_{c(SYSCLK)}$                        | $128t_{c(SYSCLK)}$                      | ns |
|                        |                              |                                                    | Odd       | $5t_{c(SYSCLK)}$                        | $127t_{c(SYSCLK)}$                      |    |
| 2                      | $t_{w(SPC1)M}$               | Pulse duration, SPICLK, first pulse                | Even      | $0.5t_{c(SPC)M} - 1$                    | $0.5t_{c(SPC)M} + 1$                    | ns |
|                        |                              |                                                    | Odd       | $0.5t_{c(SPC)M} + 0.5t_{c(SYSCLK)} - 1$ | $0.5t_{c(SPC)M} + 0.5t_{c(SYSCLK)} + 1$ |    |
| 3                      | $t_{w(SPC2)M}$               | Pulse duration, SPICLK, second pulse               | Even      | $0.5t_{c(SPC)M} - 1$                    | $0.5t_{c(SPC)M} + 1$                    | ns |
|                        |                              |                                                    | Odd       | $0.5t_{c(SPC)M} - 0.5t_{c(SYSCLK)} - 1$ | $0.5t_{c(SPC)M} - 0.5t_{c(SYSCLK)} + 1$ |    |
| 23                     | $t_{d(SPC)M}$                | Delay time, $\overline{SPIPTE}$ active to SPICLK   | Even      | $1.5t_{c(SPC)M} - 3t_{c(SYSCLK)} - 3$   | $1.5t_{c(SPC)M} - 3t_{c(SYSCLK)} + 3$   | ns |
|                        |                              |                                                    | Odd       | $1.5t_{c(SPC)M} - 4t_{c(SYSCLK)} - 3$   | $1.5t_{c(SPC)M} - 4t_{c(SYSCLK)} + 3$   |    |
| 24                     | $t_{v(PTE)M}$                | Valid time, SPICLK to $\overline{SPIPTE}$ inactive | Even      | $0.5t_{c(SPC)M} - 3$                    | $0.5t_{c(SPC)M} + 3$                    | ns |
|                        |                              |                                                    | Odd       | $0.5t_{c(SPC)M} - 0.5t_{c(SYSCLK)} - 3$ | $0.5t_{c(SPC)M} - 0.5t_{c(SYSCLK)} + 3$ |    |
| <b>High-Speed Mode</b> |                              |                                                    |           |                                         |                                         |    |
| 4                      | $t_{d(PICO)M}$               | Delay time, SPICLK to SPIPICO valid                | Even, Odd |                                         | 1                                       | ns |
| 5                      | $t_{v(PICO)M}$               | Valid time, SPIPICO valid after SPICLK             | Even      | $0.5t_{c(SPC)M} - 1$                    |                                         | ns |
|                        |                              |                                                    | Odd       | $0.5t_{c(SPC)M} - 0.5t_{c(SYSCLK)} - 1$ |                                         |    |
| <b>Normal Mode</b>     |                              |                                                    |           |                                         |                                         |    |
| 4                      | $t_{d(PICO)M}$               | Delay time, SPICLK to SPIPICO valid                | Even, Odd |                                         | 5                                       | ns |
| 5                      | $t_{v(PICO)M}$               | Valid time, SPIPICO valid after SPICLK             | Even      | $0.5t_{c(SPC)M} - 3$                    |                                         | ns |
|                        |                              |                                                    | Odd       | $0.5t_{c(SPC)M} - 0.5t_{c(SYSCLK)} - 3$ |                                         |    |

(1) 5-pF load on pin for High-Speed Mode.

(2) 20-pF load on pin for Normal Mode.

(3) The (BRR + 1) condition is Even when (SPIBRR + 1) is even or SPIBRR is 0 or 2. It is Odd when (SPIBRR + 1) is odd and SPIBRR is greater than 3.

### 6.19.5.1.2 SPI Controller Mode Switching Characteristics Clock Phase 1

over recommended operating conditions (unless otherwise noted)

| NO.                    | PARAMETER <sup>(1) (2)</sup> | (BRR + 1)<br>CONDITION <sup>(3)</sup>                        | MIN       | MAX                                     | UNIT                                    |    |
|------------------------|------------------------------|--------------------------------------------------------------|-----------|-----------------------------------------|-----------------------------------------|----|
| <b>General</b>         |                              |                                                              |           |                                         |                                         |    |
| 1                      | $t_{c(SPC)M}$                | Cycle time, SPICLK                                           | Even      | $4t_{c(SYSCLK)}$                        | $128t_{c(SYSCLK)}$                      | ns |
|                        |                              |                                                              | Odd       | $5t_{c(SYSCLK)}$                        | $127t_{c(SYSCLK)}$                      |    |
| 2                      | $t_{w(SPCH)M}$               | Pulse duration, SPICLK, first pulse                          | Even      | $0.5t_{c(SPC)M} - 1$                    | $0.5t_{c(SPC)M} + 1$                    | ns |
|                        |                              |                                                              | Odd       | $0.5t_{c(SPC)M} - 0.5t_{c(SYSCLK)} - 1$ | $0.5t_{c(SPC)M} - 0.5t_{c(SYSCLK)} + 1$ |    |
| 3                      | $t_{w(SPC2)M}$               | Pulse duration, SPICLK, second pulse                         | Even      | $0.5t_{c(SPC)M} - 1$                    | $0.5t_{c(SPC)M} + 1$                    | ns |
|                        |                              |                                                              | Odd       | $0.5t_{c(SPC)M} + 0.5t_{c(SYSCLK)} - 1$ | $0.5t_{c(SPC)M} + 0.5t_{c(SYSCLK)} + 1$ |    |
| 23                     | $t_{d(SPC)M}$                | Delay time, $\overline{S}PIPT\overline{E}$ valid to SPICLK   | Even, Odd | $2t_{c(SPC)M} - 3t_{c(SYSCLK)} - 3$     | $2t_{c(SPC)M} - 3t_{c(SYSCLK)} + 3$     | ns |
| 24                     | $t_{v(PTE)M}$                | Valid time, SPICLK to $\overline{S}PIPT\overline{E}$ invalid | Even      | -3                                      | +3                                      | ns |
|                        |                              |                                                              | Odd       | -3                                      | +3                                      |    |
| <b>High-Speed Mode</b> |                              |                                                              |           |                                         |                                         |    |
| 4                      | $t_{d(PICO)M}$               | Delay time, SPIPICO valid to SPICLK                          | Even      | $0.5t_{c(SPC)M} - 1$                    |                                         | ns |
|                        |                              |                                                              | Odd       | $0.5t_{c(SPC)M} + 0.5t_{c(SYSCLK)} - 1$ |                                         |    |
| 5                      | $t_{v(PICO)M}$               | Valid time, SPIPICO valid after SPICLK                       | Even      | $0.5t_{c(SPC)M} - 1$                    |                                         | ns |
|                        |                              |                                                              | Odd       | $0.5t_{c(SPC)M} - 0.5t_{c(SYSCLK)} - 1$ |                                         |    |
| <b>Normal Mode</b>     |                              |                                                              |           |                                         |                                         |    |
| 4                      | $t_{d(PICO)M}$               | Delay time, SPIPICO valid to SPICLK                          | Even      | $0.5t_{c(SPC)M} - 5$                    |                                         | ns |
|                        |                              |                                                              | Odd       | $0.5t_{c(SPC)M} + 0.5t_{c(SYSCLK)} - 5$ |                                         |    |
| 5                      | $t_{v(PICO)M}$               | Valid time, SPIPICO valid after SPICLK                       | Even      | $0.5t_{c(SPC)M} - 3$                    |                                         | ns |
|                        |                              |                                                              | Odd       | $0.5t_{c(SPC)M} - 0.5t_{c(SYSCLK)} - 3$ |                                         |    |

(1) 5-pF load on pin for High-Speed Mode.

(2) 20-pF load on pin for Normal Mode.

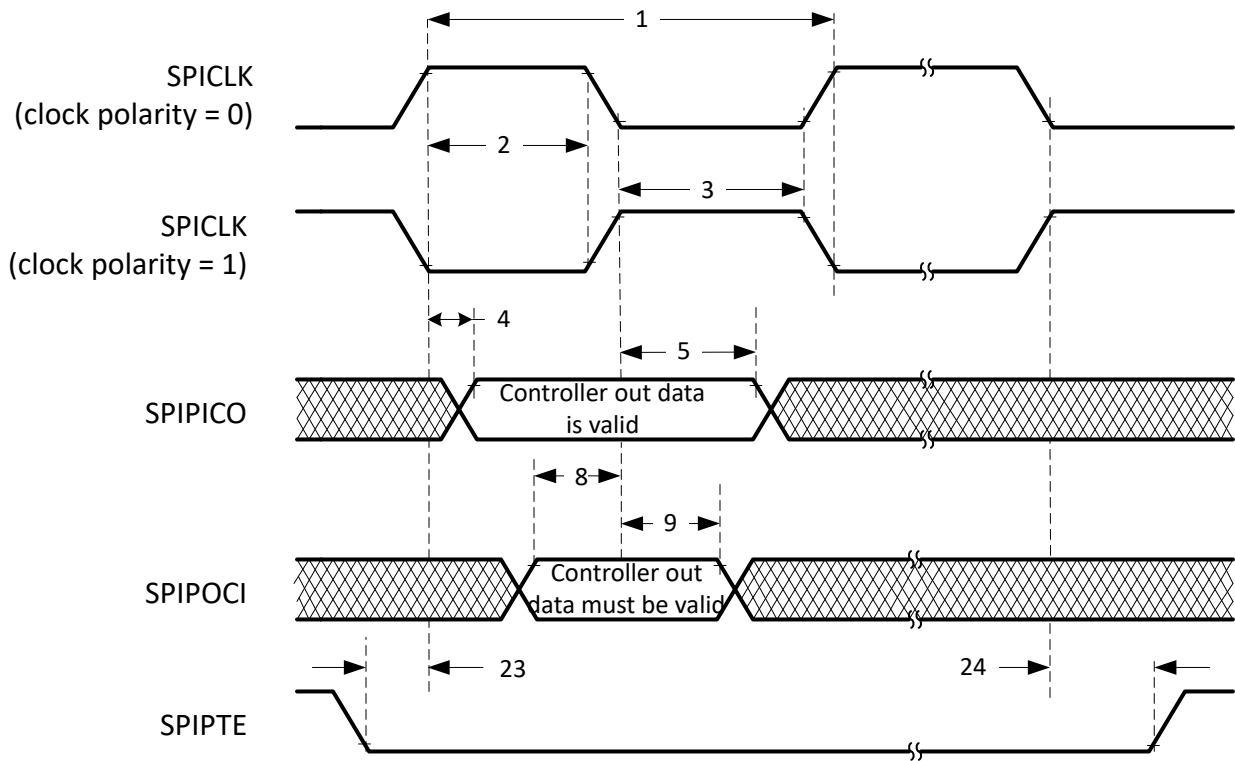
(3) The (BRR + 1) condition is Even when (SPIBRR + 1) is even or SPIBRR is 0 or 2. It is Odd when (SPIBRR + 1) is odd and SPIBRR is greater than 3.

### 6.19.5.1.3 SPI Controller Mode Timing Requirements

| NO.                    |                 |                                         | (BRR + 1)<br>CONDITION <sup>(1)</sup> | MIN | MAX | UNIT |
|------------------------|-----------------|-----------------------------------------|---------------------------------------|-----|-----|------|
| <b>High-Speed Mode</b> |                 |                                         |                                       |     |     |      |
| 8                      | $t_{su(POCI)M}$ | Setup time, SPIPOCI valid before SPICLK | Even, Odd                             | 1   |     | ns   |
| 9                      | $t_{h(POCI)M}$  | Hold time, SPIPOCI valid after SPICLK   | Even, Odd                             | 5   |     | ns   |
| <b>Normal Mode</b>     |                 |                                         |                                       |     |     |      |
| 8                      | $t_{su(POCI)M}$ | Setup time, SPIPOCI valid before SPICLK | Even, Odd                             | 20  |     | ns   |
| 9                      | $t_{h(POCI)M}$  | Hold time, SPIPOCI valid after SPICLK   | Even, Odd                             | 0   |     | ns   |

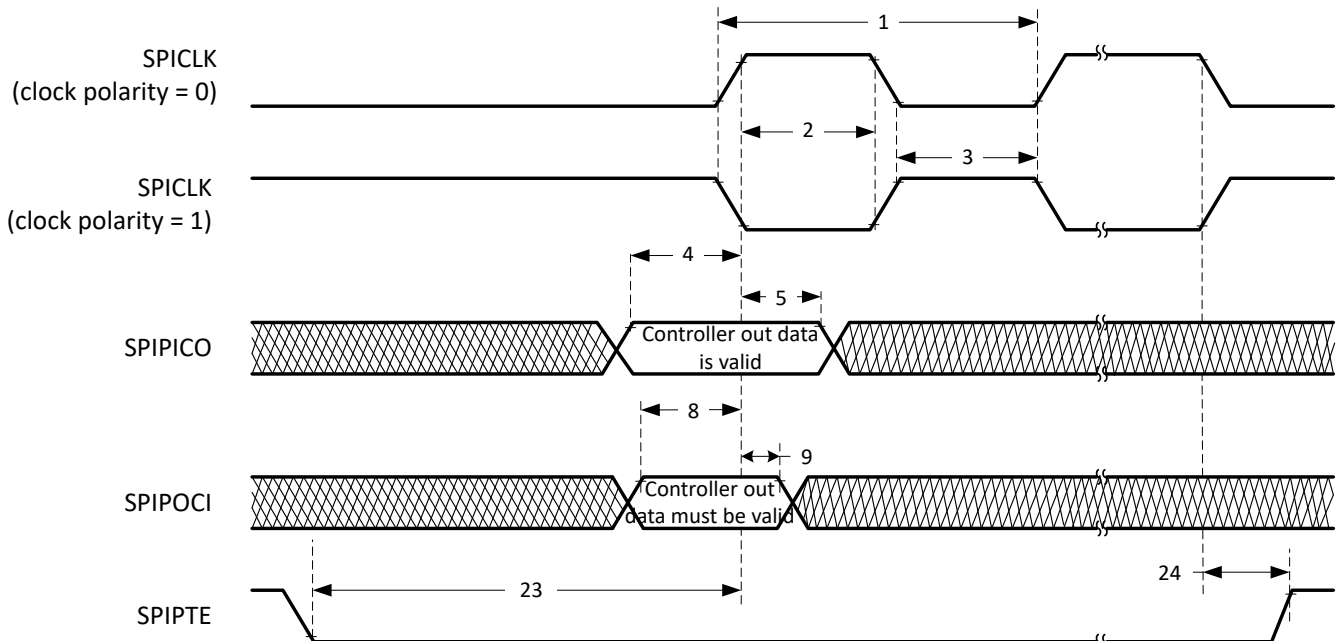
(1) The (BRR + 1) condition is Even when (SPIBRR + 1) is even or SPIBRR is 0 or 2. It is Odd when (SPIBRR + 1) is odd and SPIBRR is greater than 3.

6.19.5.1.4 SPI Controller Mode Timing Diagrams



A. On the trailing end of the word,  $\overline{\text{SPIPTE}}$  will go inactive except between back-to-back transmit words in both FIFO and non-FIFO modes.

Figure 6-86. SPI Controller Mode External Timing (Clock Phase = 0)



A. On the trailing end of the word,  $\overline{\text{SPIPTE}}$  will go inactive except between back-to-back transmit words in both FIFO and non-FIFO modes.

Figure 6-87. SPI Controller Mode External Timing (Clock Phase = 1)

### 6.19.5.2 SPI Peripheral Mode Timings

The following sections contain the SPI Peripheral Mode timings.

#### 6.19.5.2.1 SPI Peripheral Mode Switching Characteristics

over recommended operating conditions (unless otherwise noted)

| NO.                    | PARAMETER <sup>(1)</sup> <sup>(2)</sup> |                                        | MIN | MAX | UNIT |
|------------------------|-----------------------------------------|----------------------------------------|-----|-----|------|
| <b>High-Speed Mode</b> |                                         |                                        |     |     |      |
| 15                     | $t_{d(POCI)S}$                          | Delay time, SPICLK to SPIPOCI valid    |     | 9   | ns   |
| 16                     | $t_{v(POCI)S}$                          | Valid time, SPIPOCI valid after SPICLK | 0   |     | ns   |
| <b>Normal Mode</b>     |                                         |                                        |     |     |      |
| 15                     | $t_{d(POCI)S}$                          | Delay time, SPICLK to SPIPOCI valid    |     | 20  | ns   |
| 16                     | $t_{v(POCI)S}$                          | Valid time, SPIPOCI valid after SPICLK | 0   |     | ns   |

(1) 5-pF load on pin for High-Speed Mode.

(2) 20-pF load on pin for Normal Mode.

#### 6.19.5.2.2 SPI Peripheral Mode Timing Requirements

| NO. |                 |                                                          | MIN                   | MAX | UNIT |
|-----|-----------------|----------------------------------------------------------|-----------------------|-----|------|
| 12  | $t_{c(SPC)S}$   | Cycle time, SPICLK                                       | $4t_{c(SYSCLK)}$      |     | ns   |
| 13  | $t_{w(SPC1)S}$  | Pulse duration, SPICLK, first pulse                      | $2t_{c(SYSCLK)} - 1$  |     | ns   |
| 14  | $t_{w(SPC2)S}$  | Pulse duration, SPICLK, second pulse                     | $2t_{c(SYSCLK)} - 1$  |     | ns   |
| 19  | $t_{su(PICO)S}$ | Setup time, SPIPICO valid before SPICLK                  | $1.5t_{c(SYSCLK)}$    |     | ns   |
| 20  | $t_{h(PICO)S}$  | Hold time, SPIPICO valid after SPICLK                    | $1.5t_{c(SYSCLK)}$    |     | ns   |
| 25  | $t_{su(PTE)S}$  | Setup time, SPIPTE valid before SPICLK (Clock Phase = 0) | $2t_{c(SYSCLK)} + 11$ |     | ns   |
|     |                 | Setup time, SPIPTE valid before SPICLK (Clock Phase = 1) | $2t_{c(SYSCLK)} + 20$ |     | ns   |
| 26  | $t_{h(PTE)S}$   | Hold time, SPIPTE invalid after SPICLK                   | $1.5t_{c(SYSCLK)}$    |     | ns   |

6.19.5.2.3 SPI Peripheral Mode Timing Diagrams

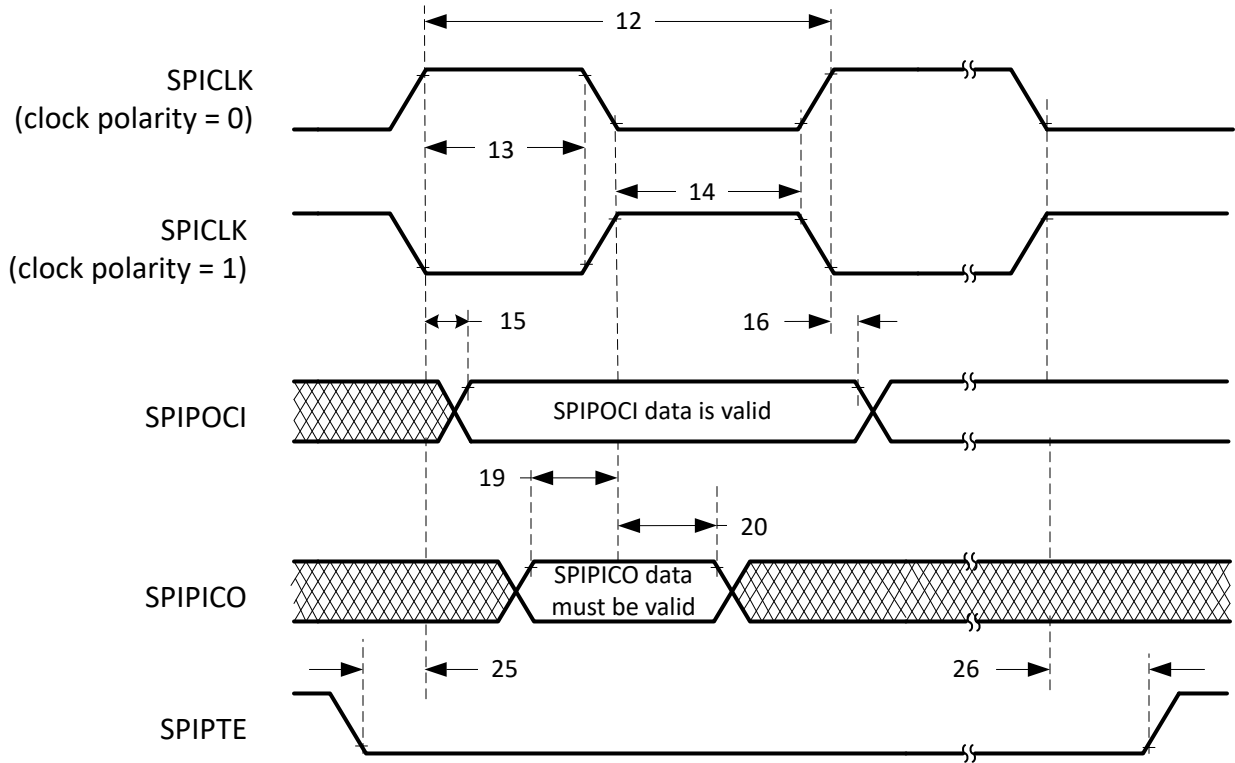


Figure 6-88. SPI Peripheral Mode External Timing (Clock Phase = 0)

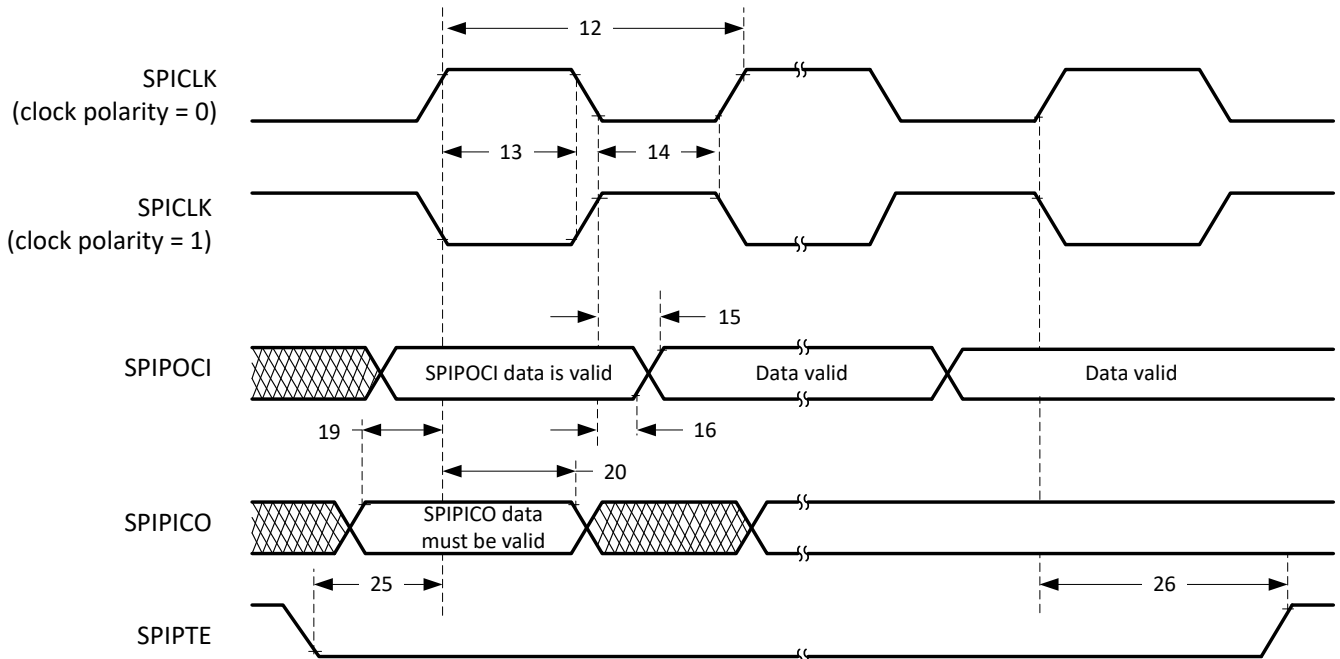


Figure 6-89. SPI Peripheral Mode External Timing (Clock Phase = 1)

## 6.19.6 Single Edge Nibble Transmission (SENT)

### 6.19.6.1 Introduction

The SENT module is based on the open standard SAE J2716 with additional enhancements such as additional sensor format support.

---

#### Note

The term 'channel' within this chapter and 'sensor' in the register descriptions are equivalent.

---

### 6.19.6.2 Features

The SENT module includes the following features:

- Based on SAE J2716 (J2716 January 2010 and J2716 April 2016)
- Supports 2007 and 2010 CRC checksum calculation
- Fast channel receiver
- Slow channel receiver
  - Short serial message (8-bit data and 4-bit message ID)
  - Enhanced serial 12-bit message (12-bit data and 8-bit message ID)
- Configurable memory depth
- Master Trigger Pulse Generator (MTPG) enables multiple sensors for the same SENT bus
- 5 SENT channels that can each be set to be triggered by one of 63 trigger sources
- Nibble sorting to minimize CPU intervention
- Timeout feature in SENT channel can be re-purposed for watchdog (only usable in continuous receive mode)
- RXD\_I\_R bit in the CSENT\_RXD register is used for debugging 1 bit of the SENT receive at a time
- Time stamp captures for received data frames
  - Uses 32-bit free running counter
  - Can use external counter for one or all SENT modules
- Receiver and Interrupt Features
  - Programmable glitch filter on input (bypass mode available)
  - Automatic detection of CRC error and framing error on Fast and Slow Channel Data
  - Option to save data received with error
  - Configurable number of data nibbles to receive (1-8)
  - FIFO and direct map support for received data frames
  - RTDMA and interrupts can be used to send data depending on how full the FIFO is
  - Error Detection Supported:
    - Timeout
    - Calibration
    - FIFO Overflow/Underflow
    - Frequency Drift
    - Overflow Trigger Request

### 6.19.7 Local Interconnect Network (LIN)

This device contains one Local Interconnect Network (LIN) module. The LIN module adheres to the LIN 2.1 standard as defined by the *LIN Specification Package Revision 2.1*. The LIN is a low-cost serial interface designed for applications where the CAN protocol may be too expensive to implement, such as small subnetworks for cabin comfort functions like interior lighting or window control in an automotive application.

The LIN standard is based on the SCI (UART) serial data link format. The communication concept is single-commander and multiple-responder with a message identification for multicast transmission between any network nodes.

The LIN module can be programmed to work either as an SCI or as a LIN as the core of the module is an SCI. The hardware features of the SCI are augmented to achieve LIN compatibility. The SCI module is a universal asynchronous receiver-transmitter (UART) that implements the standard non-return-to-zero format.

Though the registers are common for LIN and SCI, the register descriptions have notes to identify the register/bit usage in different modes. Because of this, code written for this module cannot be directly ported to the stand-alone SCI module and vice versa.

The LIN module has the following features:

- Compatibility with LIN 1.3, 2.0 and 2.1 protocols
- Configurable baud rate up to 20 kbps (as per LIN 2.1 protocol)
- Two external pins: LINRX and LINTX
- Multibuffered receive and transmit units
- Identification masks for message filtering
- Automatic commander header generation
  - Programmable synchronization break field
  - Synchronization field
  - Identifier field
- Responder automatic synchronization
  - Synchronization break detection
  - Optional baud rate update
  - Synchronization validation
- 2<sup>31</sup> programmable transmission rates with 7 fractional bits
- Wakeup on LINRX dominant level from transceiver
- Automatic wake-up support
  - Wakeup signal generation
  - Expiration times on wakeup signals
- Automatic bus idle detection
- Error detection
  - Bit error
  - Bus error
  - No-response error
  - Checksum error
  - Synchronization field error
  - Parity error
- Two interrupt lines with priority encoding for:
  - Receive
  - Transmit
  - ID, error, and status
- Support for LIN 2.0 checksum
- Enhanced synchronizer finite state machine (FSM) support for frame processing
- Enhanced handling of extended frames
- Enhanced baud rate generator
- Update wakeup/go to sleep

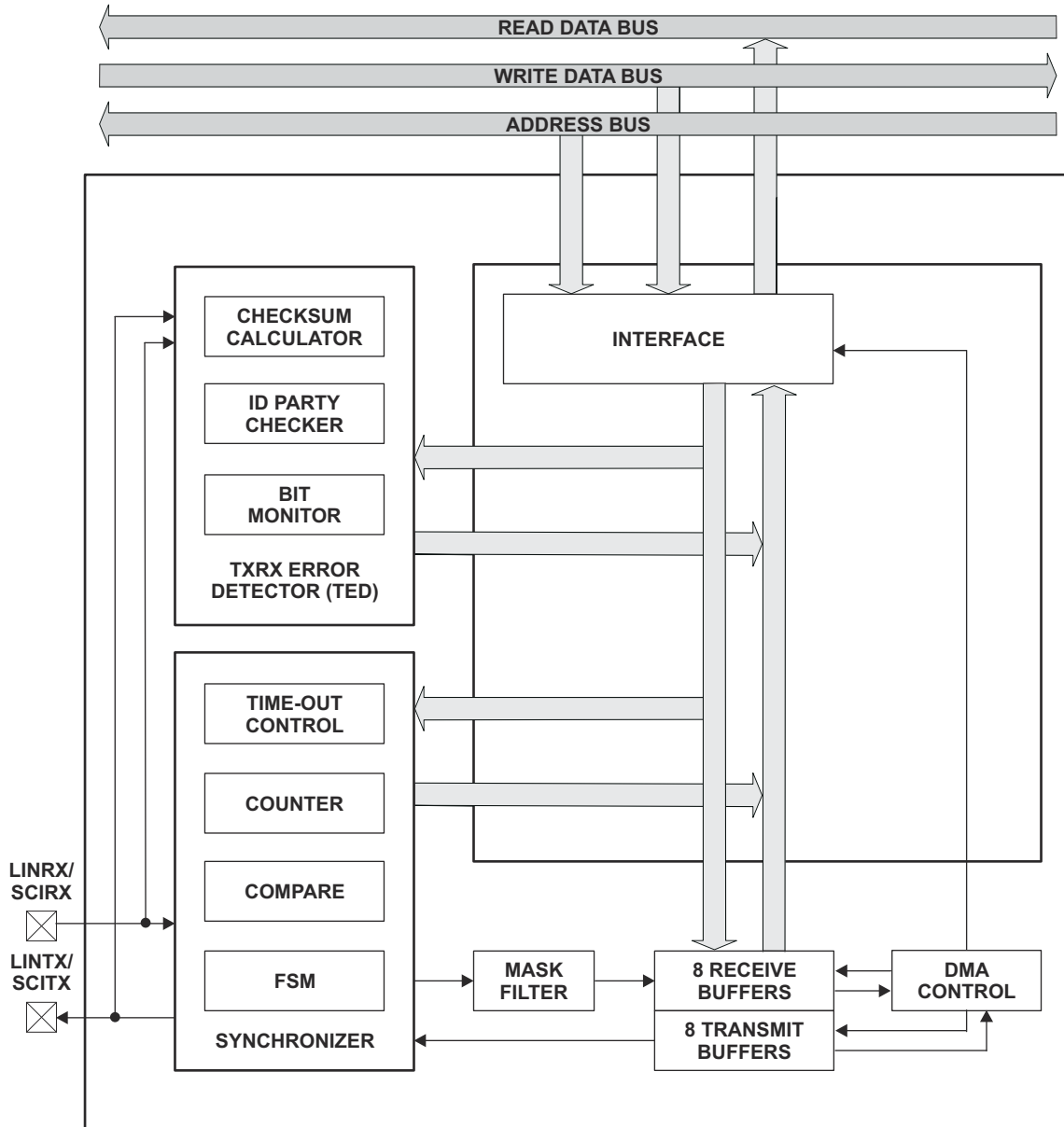


Figure 6-90. LIN Block Diagram

### 6.19.8 EtherCAT SubordinateDevice Controller (ESC)

Ethernet for Control Automation Technology ( EtherCAT®) is an Ethernet-based fieldbus system, invented by Beckhoff Automation and is standardized in IEC 61158. All the SubordinateDevice (or SubDevice) nodes connected to the bus interpret, process, and modify the data addressed to them quickly, without having to buffer the frame inside the node. This real-time behavior, frame processing, and forwarding requirements are implemented by the EtherCAT SubDevice controller (ESC) hardware. EtherCAT does not require software interaction for data transmission inside the SubDevices. EtherCAT only defines the MAC layer while the higher-layer protocols and stack are implemented in software on the microcontrollers connected to the ESC.

The EtherCAT:

- Involves MainDevice (or MDevice) and SubDevices setup where SubDevice nodes are physically connected daisy-chain style but logically operate on a loop
- Specializes in precise, low-jitter synchronization across SubDevice nodes
- Uses IEEE 802.3 Ethernet physical layer and standard Ethernet frames

#### 6.19.8.1 ESC Features

The ESC on this MCU provides the following functionality:

- Up to 2 MII ports to connect to EtherCAT PHYs
- Process data interface through 16-bit asynchronous interface
- 64-bit distributed clocking
  - Sync output signals to synchronize device events and latch input signals supporting time-stamping for events
  - Distributed clock features of SYNC0/1 (o/ps) and LATCH0/1 able to synchronize GPIOs and allow inputs from any GPIOs as well as other muxing options for internal device events
- 8 Field bus Memory Management Units (FMMUs)
  - Support all native types of RD/, WR/, RDWR, and built-in features of bit- and byte-addressing
- 8 Sync Managers
- I2C EEPROM interface
- Up-to 32 general-purpose inputs (GPIs) and 32 general-purpose outputs (GPOs)
- 2 SYNC and 2 LATCH signals connected to GPIO pads
- 16KB RAM with parity

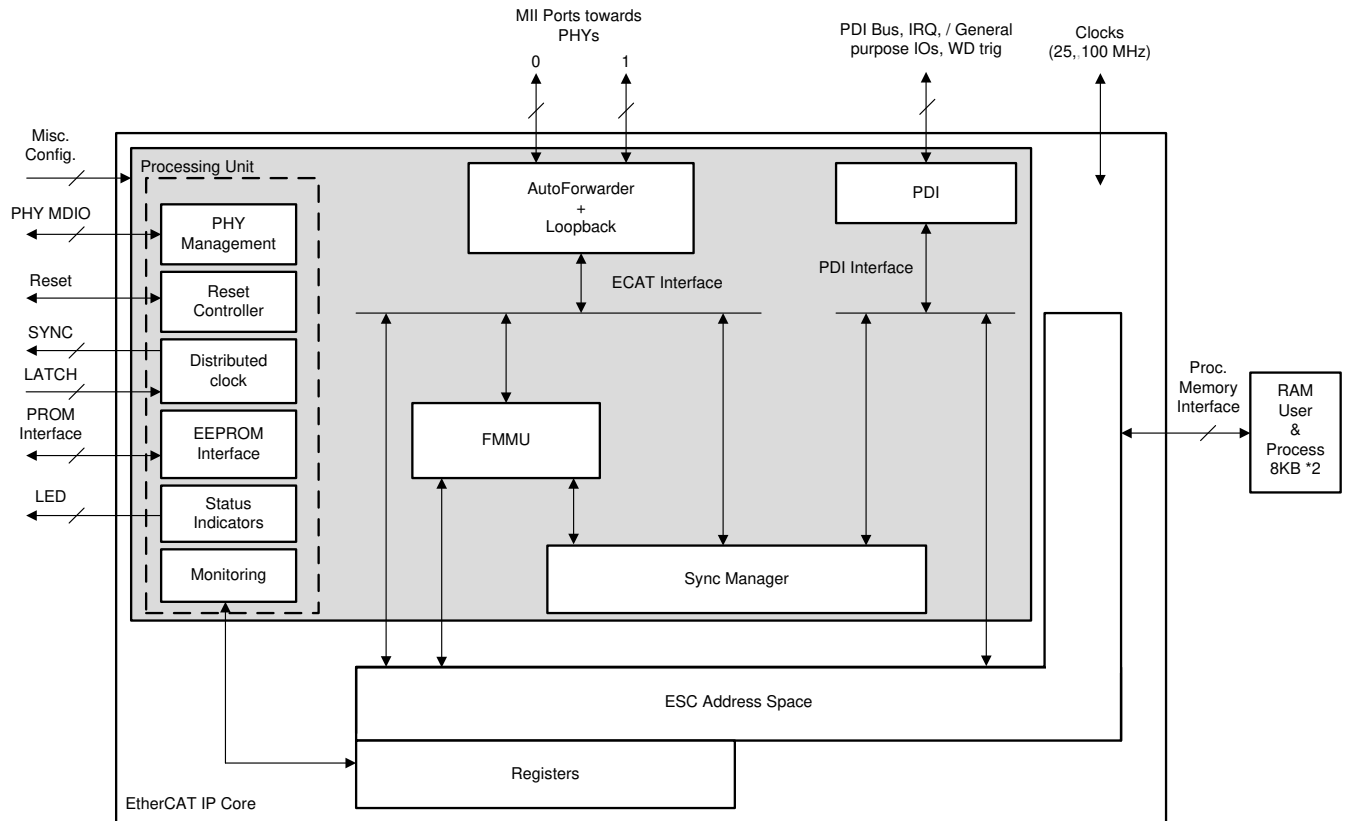
#### 6.19.8.2 ESC Subsystem Integrated Features

In addition to the ESC features, the following are the device-specific features provided by the integration of the ESC and the MCU:

- ESC access allocation to the CPU1 subsystem during initialization
- EtherCAT reset request from MDevice can be routed to NMI or general interrupt controller on MCU
- RAM Parity error routed to NMI on MCU
- DMA access to EtherCAT RAM
- Up to 32 GPIs and up to 32 GPOs feature integrated to 16-bit ASYNC PDI interface
- Interface to CLB
- Distributed clock feature of SYNC0/1 able to synchronize PWMs, generate interrupt/DMA requests, or trigger eCAP capture to allow external component action through GPIO access.
- Distributed clock feature of LATCH0/1 allows inputs from any GPIO or PWM crossbar triggers

### 6.19.8.3 EtherCAT IP Block Diagram

Figure 6-91 shows the general functionality of EtherCAT IP.



**Figure 6-91. EtherCAT IP Block Diagram**

### 6.19.8.4 EtherCAT Electrical Data and Timing

#### 6.19.8.4.1 EtherCAT Timing Requirements

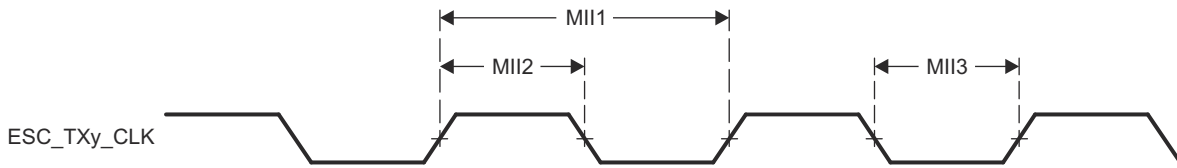
| NO.             |                             |                                                           | MIN | NOM | MAX | UNIT |
|-----------------|-----------------------------|-----------------------------------------------------------|-----|-----|-----|------|
| <b>EtherCAT</b> |                             |                                                           |     |     |     |      |
|                 | $t_c(\text{ECATCLK})$       | Cycle time, ECATCLK                                       |     | 10  |     | ns   |
| MII1            | $t_c(\text{TXCLK})$         | Cycle time, ESC_TXy_CLK                                   |     | 40  |     | ns   |
| MII2/MII3       | $t_w(\text{TXCK})$          | Pulse duration, ESC_TXy_CLK high or low                   | 16  |     | 24  | ns   |
| MII4            | $t_c(\text{RXCK})$          | Cycle time, ESC_RXy_CLK                                   |     | 40  |     | ns   |
| MII5/MII6       | $t_w(\text{RXCK})$          | Pulse duration, ESC_RXy_CLK high or low                   | 16  |     | 24  | ns   |
| MII8            | $t_{su}(\text{RXDV-RXCKH})$ | Setup time, receive signals valid before ESC_RXy_CLK high | 10  |     |     | ns   |
| MII9            | $t_h(\text{RXCKH-RXDV})$    | Hold time, receive signals valid after ESC_RXy_CLK high   | 2   |     |     | ns   |
| <b>MDIO</b>     |                             |                                                           |     |     |     |      |
| MDIO4           | $t_{su}(\text{MDV-MCKH})$   | Setup time, ESC_MDIO_DATA valid before ESC_MDIO_CLK high  | 20  |     |     | ns   |
| MDIO5           | $t_h(\text{MCKH-MDV})$      | Hold time, ESC_MDIO_DATA valid after ESC_MDIO_CLK high    | -1  |     |     | ns   |

#### 6.19.8.4.2 EtherCAT Switching Characteristics

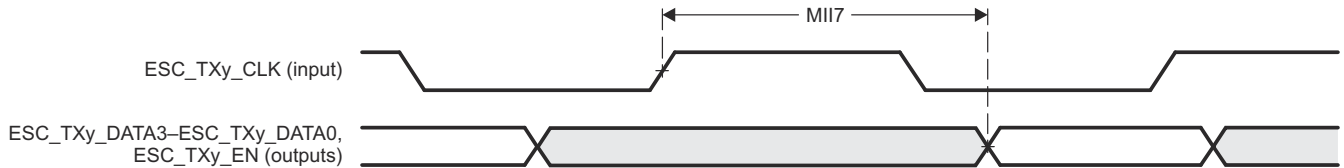
over operating free-air temperature range (unless otherwise noted)

| NO.                            | PARAMETER                | MIN                                                          | TYP                                                              | MAX                                                              | UNIT |
|--------------------------------|--------------------------|--------------------------------------------------------------|------------------------------------------------------------------|------------------------------------------------------------------|------|
| <b>Auto Shift Compensation</b> |                          |                                                              |                                                                  |                                                                  |      |
| MII7                           | $t_d(\text{TXCLK-TXDV})$ | Delay time, ESC_TXy_CLK to ESC_TXy_DATA[3:0] and ESC_TXy_ENA | 20 + input_dly + output_dly + TX_SHIFT * $t_c(\text{CLK}_{100})$ | 30 + input_dly + output_dly + TX_SHIFT * $t_c(\text{CLK}_{100})$ | ns   |
| <b>MDIO</b>                    |                          |                                                              |                                                                  |                                                                  |      |
| MDIO1                          | $t_c(\text{MCK})$        | Cycle time, ESC_MDIO_CLK                                     | 400                                                              |                                                                  | ns   |
| MDIO2/MDIO3                    | $t_w(\text{MCK})$        | Pulse duration, ESC_MDIO_CLK high or low                     | 160                                                              | 240                                                              | ns   |
| MDIO7                          | $t_d(\text{MCKH-MDV})$   | Delay time, ESC_MDIO_CLK high to ESC_MDIO_DATA valid         |                                                                  | $0.5t_c(\text{MCK}) + 30$                                        | ns   |
|                                | $t_v(\text{MCKH-MDV})$   | Valid time, ESC_MDIO_DATA valid after ESC_MDIO_CLK high      | $0.5t_c(\text{MCK}) - 3.0$                                       |                                                                  | ns   |

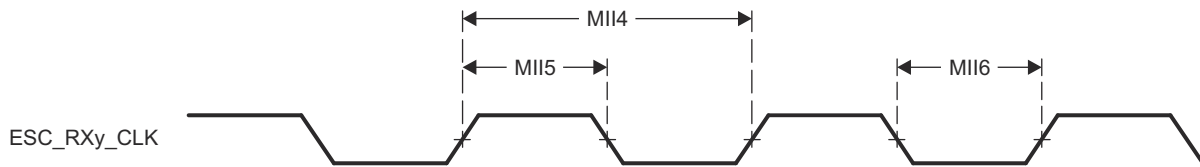
**6.19.8.4.3 EtherCAT Timing Diagrams**



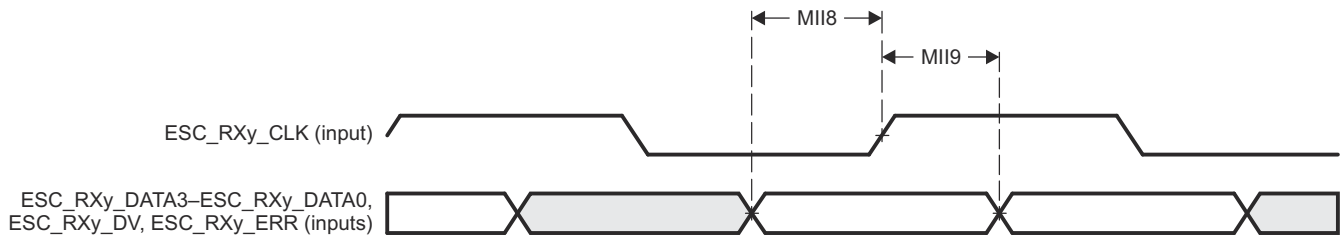
**Figure 6-92. EtherCAT Transmit Clock Timing (MII Operation)**



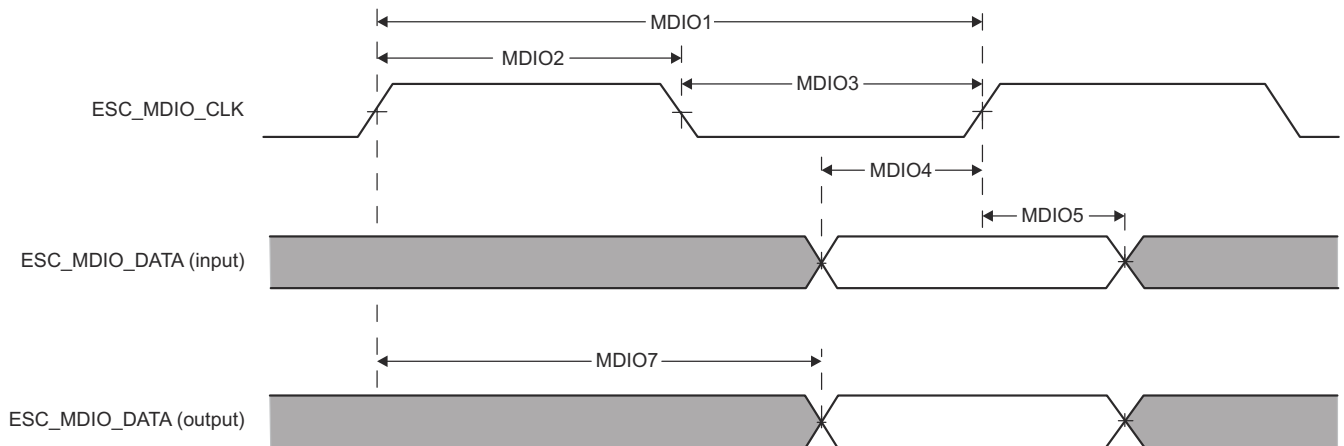
**Figure 6-93. EtherCAT Transmit Interface Timing (MII Operation)**



**Figure 6-94. EtherCAT Receive Clock Timing (MII Operation)**



**Figure 6-95. EtherCAT Receive Interface Timing (MII Operation)**



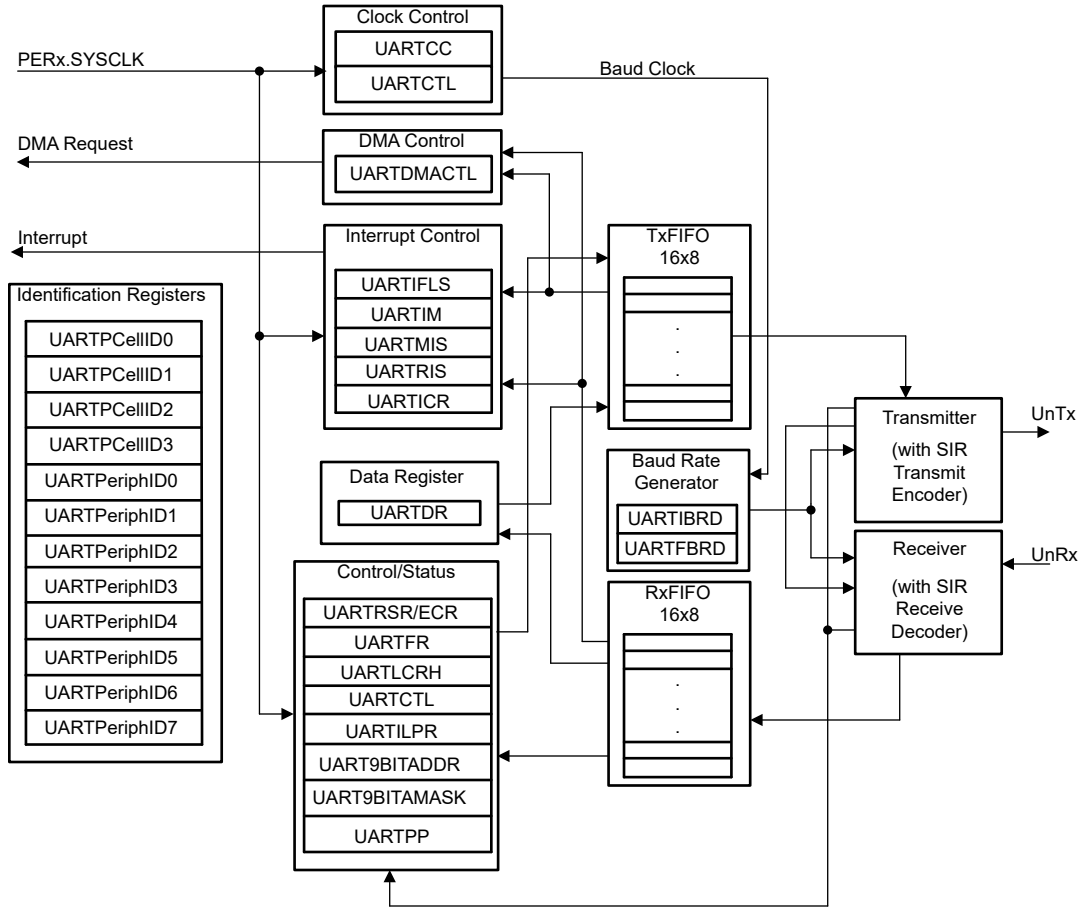
**Figure 6-96. EtherCAT MDIO Timing Diagrams**

### 6.19.9 Universal Asynchronous Receiver-Transmitter (UART)

The Universal Asynchronous Receiver/Transmitter (UART) module in this device contains the following features:

- Programmable baud-rate generator allowing speeds of up to 12.5Mbps for regular speed (divide by 16) and 25Mbps for high speed (divide by 8)
- Separate 16-level-deep and 8-bit-wide transmit (TX) and receive (RX) FIFOs to reduce CPU interrupt service loading
- Programmable FIFO length, including 1-byte-deep operation providing conventional double-buffered interface (non-FIFO mode)
- FIFO trigger levels of  $\frac{1}{8}$ ,  $\frac{1}{4}$ ,  $\frac{1}{2}$ ,  $\frac{3}{4}$ , and  $\frac{7}{8}$
- Standard asynchronous communication bits for start, stop, and parity
- Line-break generation and detection
- Fully programmable serial interface characteristics
  - 5, 6, 7, or 8 data bits
  - Even, odd, stick, or no parity-bit generation and detection
  - 1 or 2 stop-bit generation
- IrDA serial-IR (SIR) encoder and decoder providing:
  - Programmable use of IrDA SIR or UART input/output
  - Support of IrDA SIR encoder and decoder functions for data rates of up to 115.2Kbps half-duplex
  - Support of normal 3/16 and low-power (1.41 to 2.23  $\mu$ s) bit durations
  - Programmable internal clock generator enabling division of reference clock by 1 to 256 for low-power-mode bit duration
- EIA-485 9-bit support
- Standard FIFO-level and End-of-Transmission (EOT) interrupts
- Efficient transfers using Real-Time Direct Memory Access (RTDMA) Controller
  - Separate channels for transmit and receive
  - Receive burst request asserted at programmed FIFO level
  - Transmit burst request asserted at programmed FIFO level

Figure 6-97 shows the UART module block diagram.



**Figure 6-97. UART Module Block Diagram**

## 7 Detailed Description

### 7.1 Overview

The F29H85x, F29P58x, and F29P32x are members of the C2000™ real-time microcontroller family of scalable, ultra-low latency MCUs designed for efficiency in power electronics, motor control, and beyond, including but not limited to: high power density, high switching frequencies, and supporting the use of GaN and SiC technologies. The F29 product families feature the next-generation C29 CPU core, leading the industry with 2x performance from the previous-generation C28 CPU core. The C29 core also supports byte-addressing, with data types fully compatible with other popular CPU architectures, including the Arm® architecture, enabling a smooth migration for customers looking to go to market quickly. For more information, see [The C29 CPU – Unrivaled Real-Time Performance with Optimized Architecture on C2000™ MCUs](#) technical white paper.

These include such applications as:

- [HEV/EV powertrain](#) – helping enable single-stage OBC architectures
  - [On-board chargers](#)
  - [DC/DC converters](#)
  - [Integrated powertrain](#)
- [Safety and chassis](#) applications:
  - [Electric power steering](#)
  - [Braking](#)
- [Motor control](#)
  - [Traction inverter motor control](#) – enabling advanced and sophisticated control techniques to improve traction system efficiency
  - [HVAC motor control](#)
  - [Mobile robot motor control](#)
- [Solar inverters](#)
  - [Central inverter](#)
  - [Micro inverter](#)
  - [String inverter](#)
- [Digital power](#)
- [Industrial motor drives](#)
- [EV charging infrastructure](#)

The [real-time control subsystem](#) has up to three 200MHz C29x CPU cores (400MIPS per core, up to 1200MIPS on F29H85x). Due to the C29 CPU architecture and tightly coupled peripherals (PWM, ADC, CMPSS), we see better performance with a 200MHz C29 core versus our competition running at higher CPU clock speed for certain applications – backed by customer benchmarks.

Many features are included to support a system-level ASIL D functional safety solution. The C29x CPU1 and CPU2 cores can be put in lockstep for detection of permanent and transient faults. Logic Power-On Self-Test (LPOST) and Memory Power-On Self-Test (MPOST) provide start-up detection of latent faults. Safe interconnects provide fault detection between the CPU and the peripherals. The ADC safety checker compares ADC conversion results from multiple ADC modules without additional CPU cycles. The Waveform Analyzer and Diagnostic (WADI) can monitor multiple signals for proper operation and take action to make sure a safe state is maintained. The device architecture features a Safe Interconnect (SIC) for end-to-end code and data safety, with CPU-based ECC protection for all memories and peripheral endpoints.

Hardware Security Manager (HSM) provides EVITA-full security support. Features include Secure Boot, secure storage and keyring support, secure debug authentication, and cryptographic accelerator engines. The HSM enables secure key and code provisioning in untrusted factory environments, and supports Firmware-Over-The-Air updates of HSM and host application firmware, with A/B swap capability and rollback control.

SSU (Safety and Security unit) enables superior run-time safety and security features. This feature can be used create safety isolation (Freedom From Interference) among the threads running on same CPU or different CPUs. The SSU features a context-sensitive MPU mechanism that automatically switches access permissions

in hardware based on currently executing thread or task. This eliminates software overhead, enabling real-time code performance without compromising system safety. The SSU provides multi-user debug authentication, and also supports Live Firmware Update (LFU) and FOTA for application firmware updates with A/B swap and rollback control. For more information, see the [Implementing Run-Time Safety and Security With the C29x Safety and Security Unit](#) Application Note.

High-performance analog blocks are tightly integrated with the processing and control units to provide optimal real-time signal chain performance. Two 16-bit Analog-to-Digital Converters (ADC) and three 12-bit ADCs have up to 80 analog channels as well as an integrated post-processing block and hardware oversampling. Two 12-bit buffered DACs and twenty-four comparator channels are available.

Thirty-six frequency-independent PWMs, all with high-resolution capability, enable control of multiple power stages, from 3-phase inverters to advanced multilevel power topologies. The PWMs have been enhanced with Minimum Dead-Band Logic (MINDL), Diode Emulation (DE), and Illegal Combo Logic (ICL) features.

The Configurable Logic Block (CLB) allows the user to add [custom logic](#) and potentially [integrate FPGA-like functions](#) into the C2000 real-time MCU.

An EtherCAT SubDevice Controller and other industry-standard protocols like CAN FD are available on this device. The [Fast Serial Interface \(FSI\)](#) enables up to 200Mbps of robust communications across an isolation boundary.

Want to learn more about features that make C2000 MCUs the right choice for your real-time control system? Check out [The Essential Guide for Developing With C2000™ Real-Time Microcontrollers](#) and visit the [C2000 real-time microcontrollers](#) page.

The [Getting Started With C2000™ Real-Time Control Microcontrollers \(MCUs\) Getting Started Guide](#) covers all aspects of development with C2000 devices from hardware to support resources. In addition to key reference documents, each section provides relevant links and resources to further expand on the information covered.

Ready to get started? Check out the [F29H85X-SOM-EVM](#) evaluation board, and download the [F29-SDK Foundational Software Development Kit \(SDK\)](#) for F29 real-time MCUs.

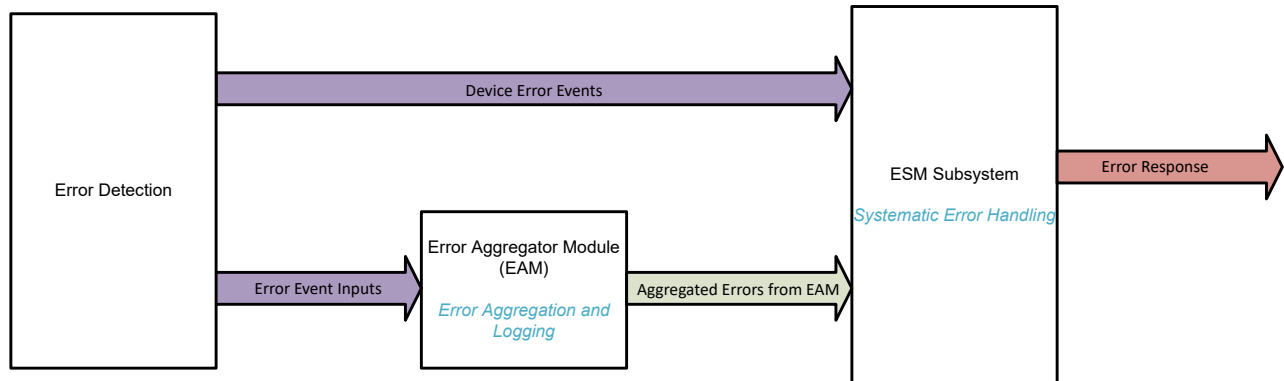


## 7.3 Error Signaling Module (ESM\_C29)

### 7.3.1 Introduction

The Error Signaling Module (ESM) provides systematic consolidation of responses to error events throughout the device into one location. The ESM can signal programmable priority interrupts to the processor to deal with an event and/or manipulate an I/O error pin to signal an external hardware that an error has occurred. Therefore, an external controller is able to reset the device or keep the system in a safe, known state.

The ESM provides comprehensive error reporting and consolidates error responses for management and mitigation of error events across the device.



**Figure 7-2. Error Handling Architecture**

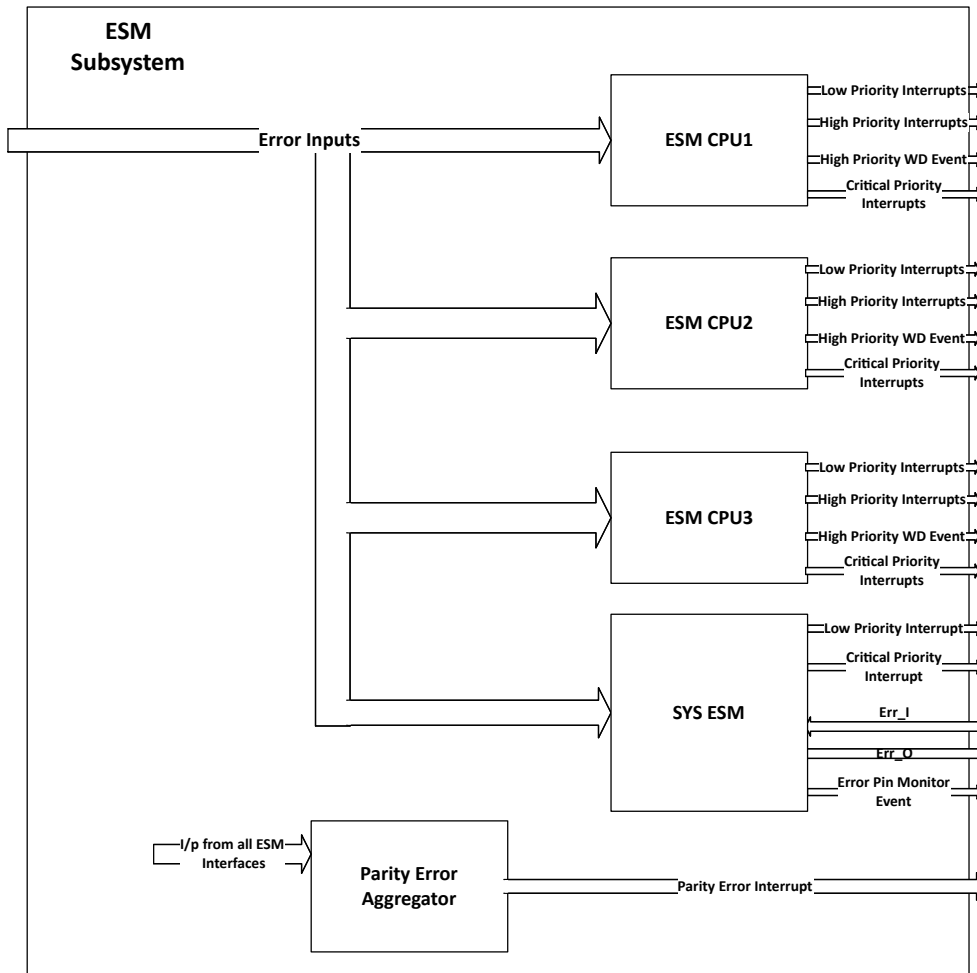
### 7.3.2 ESM Subsystem

The Error Signaling Module Subsystem (ESM-SS) groups error signaling module (ESM) instances as shown in [Figure 7-3](#). ESMSS supports a number of ESM instances that is triggered from common set of error event inputs. Each ESM instance is used to drive interrupts to individual CPU and resets to individual CPU or System. The subsystem combines the ESM instances and output pulse interrupt from each ESM instances are exported at the subsystem boundary for integration at the device level.

ESM subsystem is comprised of the following instances :

- ESM CPU instances one for each CPU
  - **Input's:** The error inputs listed in the *Error Event Inputs* section of the [F29H85x and F29P58x Real-Time Microcontrollers Technical Reference Manual](#) , common to all ESM Subsystem instances
  - **Output's:**
    - Low Priority Interrupt
    - High Priority Interrupt
    - High Priority WD Event (Event triggered by watchdog timeout on High Priority Interrupt hence also referred to as High Priority Watchdog Interrupt in the later part of the document): Similar functionality as NMIWD on C28x devices
    - Critical Priority Interrupt
- Additional System ESM instance for Error Pin output and monitoring.
  - **Input's:** The error inputs listed in the *Error Event Inputs* section of the [F29H85x and F29P58x Real-Time Microcontrollers Technical Reference Manual](#) , common to all ESM Subsystem instances
  - **Output's:**
    - Low Priority Interrupt
    - Critical Priority Interrupt
    - Error Pin Output

- Error Pin Monitor Event : Error pin monitoring and error detection output
- Register Parity Error Aggregator Instance (Safety Aggregator)
  - **Input's:**
    - Input from EDC (Error Detection and Correction) Control Interfaces of all ESM Instances (ESM CPU and SYS ESM)
  - **Output:**
    - Parity Error Interrupt : Interrupt generated by parity error detected on ESM register configurations



**Figure 7-3. ESM-SS Block Diagram**

**7.3.3 System ESM**

Error Pin inputs and outputs are controlled by System ESM instance. The System ESM produces a configurable error pin output (err\_o/ERRORSTS) in addition to the set of interrupt outputs. The System ESM generates a critical priority interrupt (ESMRESET) output that causes system reset request (XRSn) by default, if not disabled by the ESMXRSNCTL register. The System ESM additionally has the Error Pin Monitor feature and associated Error Pin Monitor event that is exported at subsystem as a pulse interrupt. Error Pin Monitor event is also applied back to ESM-SS as an error event input so that the ESM can take appropriate action on the mismatch event.

The low-priority interrupt output of System ESM is mapped to the XBARs as an ESMGENEVT signal.

## 7.4 Error Aggregator

### 7.4.1 Error Aggregator Modules

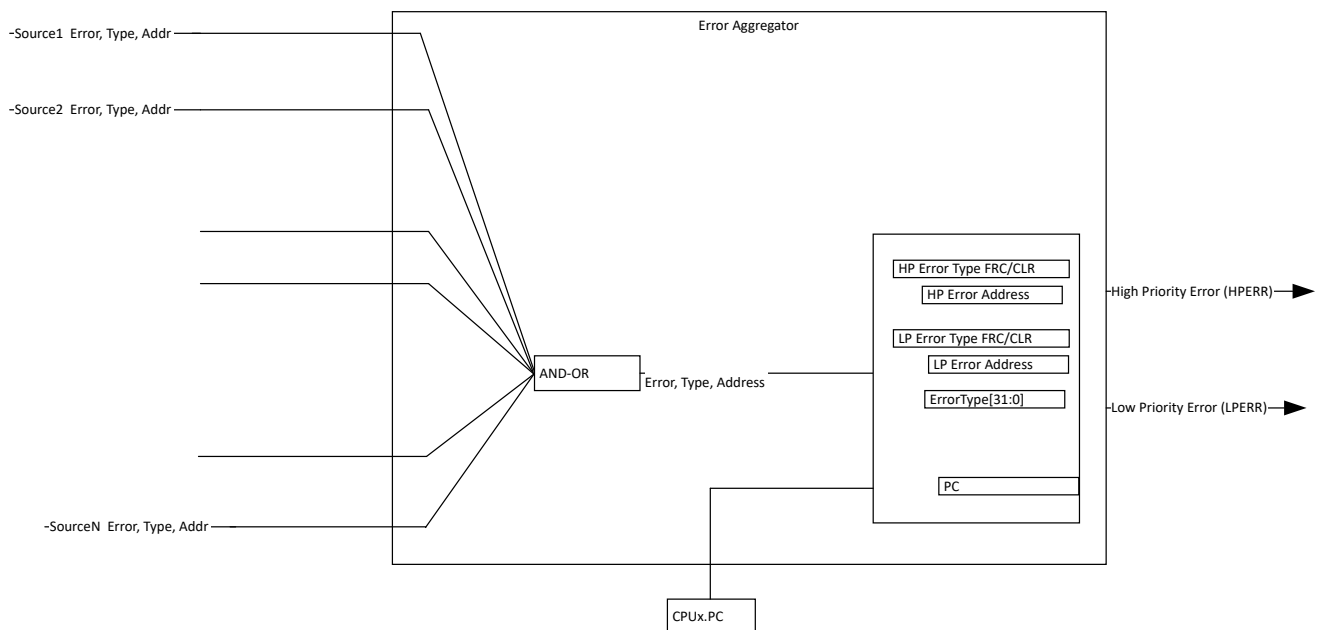
Each Error Source provides the following information for all Error Aggregator Modules:

- Error - Pulse signal is generated on the occurrence of any error sent to ESM for further action.
- Error Address - System Address at which the error occurred used to detect and debug the error origin.
- Error Type - Multibit signal that indicates the type of error used to classify the error into predefined categories outlined later in the chapter.

All CPU Error Aggregator Modules additionally provide a Program Counter (PC) log for first high-priority error occurrence.

The *Error Aggregator Block Diagram* illustrates the module working and implementation. Each Aggregator module aggregates error from various sources. Upon error occurrence, the corresponding error address and type are logged into Error Address and Error Type registers, respectively.

The errors are classified as high or low priority based on the list in the *Error Type Information* section of the [F29H85x and F29P58x Real-Time Microcontrollers Technical Reference Manual](#).



**Figure 7-4. Error Aggregator Block Diagram**

Error Aggregator modules implemented in the device are:

1. CPUx PR Error Aggregator - Aggregates errors occurred during CPUx program fetch access
2. CPUx DR1 Error Aggregator - Aggregates errors occurred during CPUx Data Read access on DR1 port
3. CPUx DR2 Error Aggregator - Aggregates errors occurred during CPUx Data Read access on DR2 port
4. CPUx DW Error Aggregator - Aggregates errors occurred during CPUx data write access
5. CPUx INT Error Aggregator - Aggregates interrupt related errors from CPUx and associated PIPE module
6. RTDMAx DR Error Aggregator - Aggregates errors occurred during RTDMAx data read access
7. RTDMAx DW Error Aggregator - Aggregates errors occurred during RTDMAx data write access
8. SSU Error Aggregator - Aggregates errors sent out by SSU module
9. EtherCAT Error Aggregator - Aggregates errors occurred during EtherCAT memory access
10. HSM Error Aggregator - Aggregates errors sent out by HSM subsystem

---

#### Note

x indicates that each error aggregator is repeated per initiator instance. EtherCAT only provides error and error address information so error type is tied off to uncorrectable error (0x40).

---

### 7.4.2 Error Aggregator Interface

This section provides details on how error information is handled and interfaced to the Error Signaling Module (ESM). The error outputs from multiple error aggregators are ORed and applied as single source to ESM. These includes:

- Low-Priority Errors from CPUx PR, CPUx DR1, CPUx DR2, CPUx DW are combined as CPUx LPERR
- High-Priority Errors from CPUx PR, CPUx DR1, CPUx DR2, CPUx DW are combined as CPUx HPERR
- Low-Priority Errors from RTDMAx DR + RTDMAx DW are combined as RTDMAx LPERR
- High-Priority Errors from RTDMAx DR + RTDMAx DW are combined as RTDMAx HPERR

Figure 7-5 shows a conceptual block diagram of the module functionality and how the output flag from each aggregator is combined as described in points above. The block diagram does not show all error aggregator modules available in the system, refer to the detailed list of supported error aggregators.

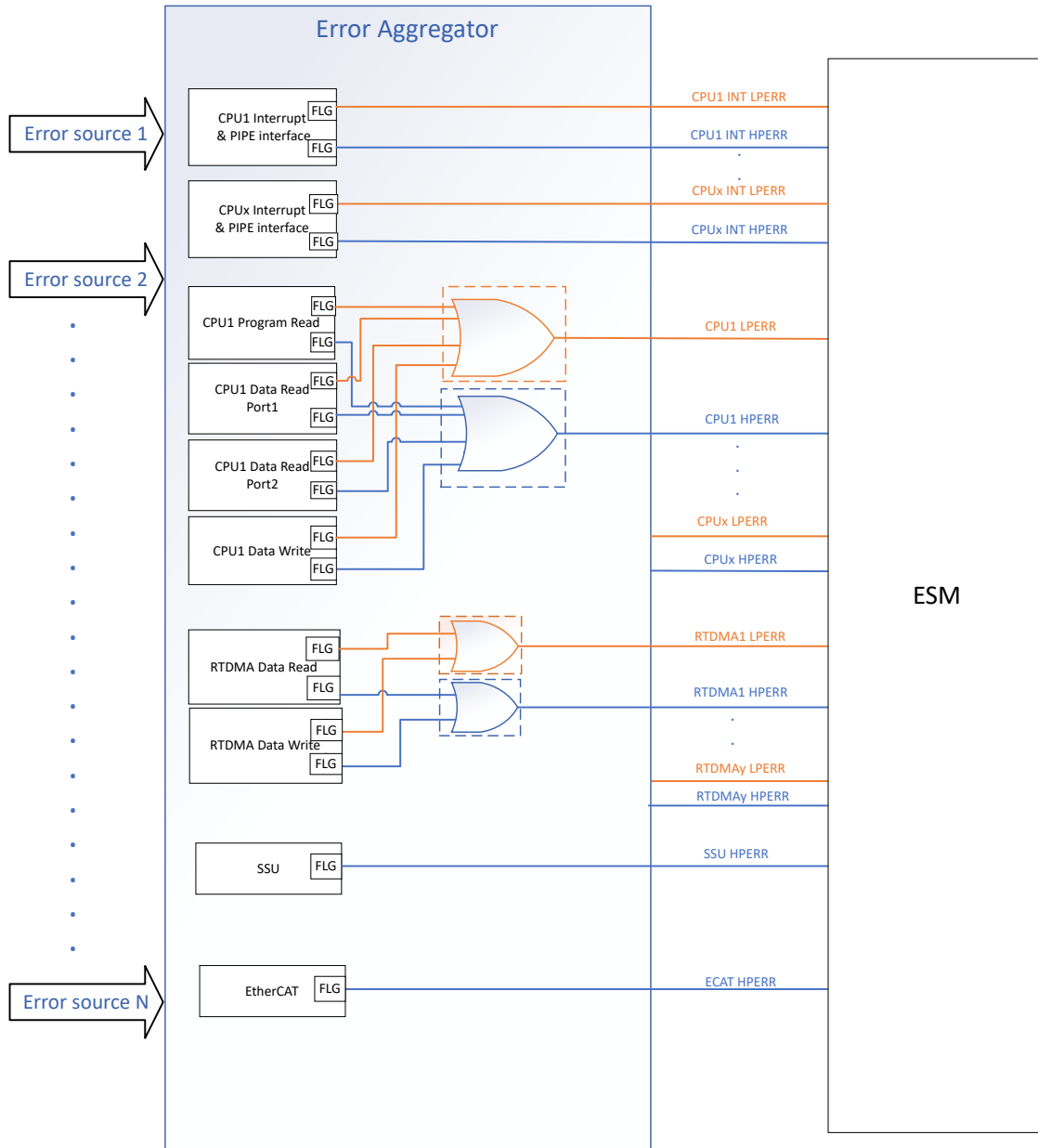


Figure 7-5. Error Aggregator Interface

## 7.5 Memory

### 7.5.1 C29x Memory Map

**Table 7-1. Memory Map**

| MEMORY                   | DESCRIPTION           | SIZE (x8) | START ADDRESS | END ADDRESS | RTDMA1 ACCESS | RTDMA2 ACCESS | HSM (M4, RTDMA) ACCESS | ECC/PARITY |
|--------------------------|-----------------------|-----------|---------------|-------------|---------------|---------------|------------------------|------------|
| CPU1 ROM                 |                       | 128       | 0x0000_0000   | 0x0001_FFFF | -             | -             | -                      | ECC        |
| CPU2 ROM                 |                       | 32        | 0x0000_0000   | 0x0000_7FFF | -             | -             | -                      | ECC        |
| CPU3 ROM                 |                       | 32        | 0x0000_0000   | 0x0000_7FFF | -             | -             | -                      | ECC        |
| Flash Main Bank          | Mapping via FRI-1 RP0 | 1024      | 0x1000_0000   | 0x100F_FFFF | YES           | -             | YES                    | ECC        |
| Flash Main Bank          | Mapping via FRI-1 RP1 | 1024      | 0x1010_0000   | 0x101F_FFFF | YES           | -             | YES                    | ECC        |
| Flash Main Bank          | Mapping via FRI-1 RP2 | 1024      | 0x1020_0000   | 0x102F_FFFF | YES           | -             | YES                    | ECC        |
| Flash Main Bank          | Mapping via FRI-1 RP3 | 1024      | 0x1030_0000   | 0x103F_FFFF | YES           | -             | YES                    | ECC        |
| Flash Main Bank          | Mapping via FRI-2 RP0 | 1024      | 0x1040_0000   | 0x104F_FFFF | YES           | -             | YES                    | ECC        |
| Flash Main Bank          | Mapping via FRI-2 RP1 | 1024      | 0x1050_0000   | 0x105F_FFFF | YES           | -             | YES                    | ECC        |
| Flash Main Bank          | Mapping via FRI-3 RP0 | 1024      | 0x1060_0000   | 0x106F_FFFF | YES           | -             | YES                    | ECC        |
| Flash Main Bank          | Mapping via FRI-3 RP1 | 1024      | 0x1070_0000   | 0x107F_FFFF | YES           | -             | YES                    | ECC        |
| Data Flash 128-bit       | Mapping via FRI-4 RP0 | 256       | 0x10C0_0000   | 0x10C3_FFFF | YES           | -             | YES                    | ECC        |
| BANKMGMT Sector          | Mapping via FRI-1 RP0 | 4         | 0x10D8_0000   | 0x10D8_0FFF | -             | -             | YES                    | ECC        |
| SECCFG Sector            | Mapping via FRI-1 RP0 | 4         | 0x10D8_1000   | 0x10D8_1FFF | -             | -             | YES                    | ECC        |
| BANKMGMT Sector          | Mapping via FRI-1 RP1 | 4         | 0x10D8_4000   | 0x10D8_4FFF | -             | -             | YES                    | ECC        |
| SECCFG Sector            | Mapping via FRI-1 RP1 | 4         | 0x10D8_5000   | 0x10D8_5FFF | -             | -             | YES                    | ECC        |
| BANKMGMT Sector          | Mapping via FRI-1 RP2 | 4         | 0x10D8_8000   | 0x10D8_8FFF | -             | -             | YES                    | ECC        |
| SECCFG Sector            | Mapping via FRI-1 RP2 | 4         | 0x10D8_9000   | 0x10D8_9FFF | -             | -             | YES                    | ECC        |
| BANKMGMT Sector          | Mapping via FRI-1 RP3 | 4         | 0x10D8_C000   | 0x10D8_CFFF | -             | -             | YES                    | ECC        |
| SECCFG Sector            | Mapping via FRI-1 RP3 | 4         | 0x10D8_D000   | 0x10D8_DFFF | -             | -             | YES                    | ECC        |
| BANKMGMT Sector          | Mapping via FRI-2 RP0 | 4         | 0x10D9_0000   | 0x10D9_0FFF | -             | -             | YES                    | ECC        |
| SECCFG Sector            | Mapping via FRI-2 RP0 | 4         | 0x10D9_1000   | 0x10D9_1FFF | -             | -             | YES                    | ECC        |
| BANKMGMT Sector          | Mapping via FRI-2 RP1 | 4         | 0x10D9_4000   | 0x10D9_4FFF | -             | -             | YES                    | ECC        |
| SECCFG Sector            | Mapping via FRI-2 RP1 | 4         | 0x10D9_5000   | 0x10D9_5FFF | -             | -             | YES                    | ECC        |
| BANKMGMT Sector          | Mapping via FRI-3 RP0 | 4         | 0x10D9_8000   | 0x10D9_8FFF | -             | -             | YES                    | ECC        |
| SECCFG Sector            | Mapping via FRI-3 RP0 | 4         | 0x10D9_9000   | 0x10D9_9FFF | -             | -             | YES                    | ECC        |
| BANKMGMT Sector          | Mapping via FRI-3 RP1 | 4         | 0x10D9_C000   | 0x10D9_CFFF | -             | -             | YES                    | ECC        |
| SECCFG Sector            | Mapping via FRI-3 RP1 | 4         | 0x10D9_D000   | 0x10D9_DFFF | -             | -             | YES                    | ECC        |
| Flash Main Bank ECC bits | Mapping via FRI-1 RP0 | 128       | 0x10E0_0000   | 0x10E1_FFFF | YES           | -             | YES                    | -          |
| Flash Main Bank ECC bits | Mapping via FRI-1 RP1 | 128       | 0x10E2_0000   | 0x10E3_FFFF | YES           | -             | YES                    | -          |
| Flash Main Bank ECC bits | Mapping via FRI-1 RP2 | 128       | 0x10E4_0000   | 0x10E5_FFFF | YES           | -             | YES                    | -          |
| Flash Main Bank ECC bits | Mapping via FRI-1 RP3 | 128       | 0x10E6_0000   | 0x10E7_FFFF | YES           | -             | YES                    | -          |
| Flash Main Bank ECC bits | Mapping via FRI-2 RP0 | 128       | 0x10E8_0000   | 0x10E9_FFFF | YES           | -             | YES                    | -          |
| Flash Main Bank ECC bits | Mapping via FRI-2 RP1 | 128       | 0x10EA_0000   | 0x10EB_FFFF | YES           | -             | YES                    | -          |
| Flash Main Bank ECC bits | Mapping via FRI-3 RP0 | 128       | 0x10EC_0000   | 0x10ED_FFFF | YES           | -             | YES                    | -          |
| Flash Main Bank ECC bits | Mapping via FRI-3 RP1 | 128       | 0x10EE_0000   | 0x10EF_FFFF | YES           | -             | YES                    | -          |
| Data Flash ECC bits      | Mapping via FRI-4 RP0 | 32        | 0x10F8_0000   | 0x10F8_7FFF | YES           | -             | YES                    | -          |
| BANKMGMT Sector ECC Bits | Mapping via FRI-1 RP0 | 0.5       | 0x10FB_0000   | 0x10FB_01FF | -             | -             | YES                    | -          |
| SECCFG Sector ECC Bits   | Mapping via FRI-1 RP0 | 0.5       | 0x10FB_0200   | 0x10FB_03FF | -             | -             | YES                    | -          |
| BANKMGMT Sector ECC Bits | Mapping via FRI-1 RP1 | 0.5       | 0x10FB_0800   | 0x10FB_09FF | -             | -             | YES                    | -          |
| SECCFG Sector ECC Bits   | Mapping via FRI-1 RP1 | 0.5       | 0x10FB_0A00   | 0x10FB_0BFF | -             | -             | YES                    | -          |
| BANKMGMT Sector ECC Bits | Mapping via FRI-1 RP2 | 0.5       | 0x10FB_1000   | 0x10FB_11FF | -             | -             | YES                    | -          |
| SECCFG Sector ECC Bits   | Mapping via FRI-1 RP2 | 0.5       | 0x10FB_1200   | 0x10FB_13FF | -             | -             | YES                    | -          |

**Table 7-1. Memory Map (continued)**

| MEMORY                   | DESCRIPTION               | SIZE (x8) | START ADDRESS | END ADDRESS | RTDMA1 ACCESS | RTDMA2 ACCESS | HSM (M4, RTDMA) ACCESS | ECC/PARITY |
|--------------------------|---------------------------|-----------|---------------|-------------|---------------|---------------|------------------------|------------|
| BANKMGMT Sector ECC Bits | Mapping via FRI-1 RP3     | 0.5       | 0x10FB_1800   | 0x10FB_19FF | -             | -             | YES                    | -          |
| SECCFG Sector ECC Bits   | Mapping via FRI-1 RP3     | 0.5       | 0x10FB_1A00   | 0x10FB_1BFF | -             | -             | YES                    | -          |
| BANKMGMT Sector ECC Bits | Mapping via FRI-2 RP0     | 0.5       | 0x10FB_2000   | 0x10FB_21FF | -             | -             | YES                    | -          |
| SECCFG Sector ECC Bits   | Mapping via FRI-2 RP0     | 0.5       | 0x10FB_2200   | 0x10FB_23FF | -             | -             | YES                    | -          |
| BANKMGMT Sector ECC Bits | Mapping via FRI-2 RP1     | 0.5       | 0x10FB_2800   | 0x10FB_29FF | -             | -             | YES                    | -          |
| SECCFG Sector ECC Bits   | Mapping via FRI-2 RP1     | 0.5       | 0x10FB_2A00   | 0x10FB_2BFF | -             | -             | YES                    | -          |
| BANKMGMT Sector ECC Bits | Mapping via FRI-3 RP0     | 0.5       | 0x10FB_3000   | 0x10FB_31FF | -             | -             | YES                    | -          |
| SECCFG Sector ECC Bits   | Mapping via FRI-3 RP0     | 0.5       | 0x10FB_3200   | 0x10FB_33FF | -             | -             | YES                    | -          |
| BANKMGMT Sector ECC Bits | Mapping via FRI-3 RP1     | 0.5       | 0x10FB_3800   | 0x10FB_39FF | -             | -             | YES                    | -          |
| SECCFG Sector ECC Bits   | Mapping via FRI-3 RP1     | 0.5       | 0x10FB_3A00   | 0x10FB_3BFF | -             | -             | YES                    | -          |
| M0                       | CPU1 Dedicated Stack      | 4         | 0x2000_0000   | 0x2000_0FFF | -             | -             | -                      | ECC        |
| LDA7                     | CPU1 and CPU2 Local SRAM  | 16        | 0x200E_0000   | 0x200E_3FFF | YES           | YES           | YES                    | ECC        |
| LDA6                     | CPU1 and CPU2 Local SRAM  | 16        | 0x200E_4000   | 0x200E_7FFF | YES           | YES           | YES                    | ECC        |
| LDA5                     | CPU1 and CPU2 Local SRAM  | 16        | 0x200E_8000   | 0x200E_BFFF | YES           | YES           | YES                    | ECC        |
| LDA4                     | CPU1 and CPU2 Local SRAM  | 16        | 0x200E_C000   | 0x200E_FFFF | YES           | YES           | YES                    | ECC        |
| LDA3                     | CPU1 and CPU2 Local SRAM  | 16        | 0x200F_0000   | 0x200F_3FFF | YES           | YES           | YES                    | ECC        |
| LDA2                     | CPU1 and CPU2 Local SRAM  | 16        | 0x200F_4000   | 0x200F_7FFF | YES           | YES           | YES                    | ECC        |
| LDA1                     | CPU1 and CPU2 Local SRAM  | 16        | 0x200F_8000   | 0x200F_BFFF | YES           | YES           | YES                    | ECC        |
| LDA0                     | CPU1 and CPU2 Local SRAM  | 16        | 0x200F_C000   | 0x200F_FFFF | YES           | YES           | YES                    | ECC        |
| LPA0                     | CPU1 and CPU2 Local SRAM  | 32        | 0x2010_0000   | 0x2010_7FFF | YES           | YES           | -                      | ECC        |
| LPA1                     | CPU1 and CPU2 Local SRAM  | 32        | 0x2010_8000   | 0x2010_FFFF | YES           | YES           | -                      | ECC        |
| CPA0                     | CPU1 and CPU3 Common SRAM | 32        | 0x2011_0000   | 0x2011_7FFF | YES           | YES           | -                      | ECC        |
| CPA1                     | CPU1 and CPU3 Common SRAM | 32        | 0x2011_8000   | 0x2011_FFFF | YES           | YES           | -                      | ECC        |
| CDA0                     | CPU1 and CPU3 Common SRAM | 16        | 0x2012_0000   | 0x2012_3FFF | YES           | YES           | -                      | ECC        |
| CDA1                     | CPU1 and CPU3 Common SRAM | 16        | 0x2012_4000   | 0x2012_7FFF | YES           | YES           | -                      | ECC        |
| CDA2                     | CPU1 and CPU3 Common SRAM | 16        | 0x2012_8000   | 0x2012_BFFF | YES           | YES           | -                      | ECC        |
| CDA3                     | CPU1 and CPU3 Common SRAM | 16        | 0x2012_C000   | 0x2012_FFFF | YES           | YES           | -                      | ECC        |
| CDA4                     | CPU1 and CPU3 Common SRAM | 16        | 0x2013_0000   | 0x2013_3FFF | YES           | YES           | -                      | ECC        |
| CDA5                     | CPU1 and CPU3 Common SRAM | 16        | 0x2013_4000   | 0x2013_7FFF | YES           | YES           | -                      | ECC        |
| CDA6                     | CPU1 and CPU3 Common SRAM | 16        | 0x2013_8000   | 0x2013_BFFF | YES           | YES           | -                      | ECC        |
| CDA7                     | CPU1 and CPU3 Common SRAM | 16        | 0x2013_C000   | 0x2013_FFFF | YES           | YES           | -                      | ECC        |

**Table 7-1. Memory Map (continued)**

| MEMORY                       | DESCRIPTION               | SIZE (x8) | START ADDRESS | END ADDRESS | RTDMA1 ACCESS | RTDMA2 ACCESS | HSM (M4, RTDMA) ACCESS | ECC/PARITY |
|------------------------------|---------------------------|-----------|---------------|-------------|---------------|---------------|------------------------|------------|
| CDA8                         | CPU1 and CPU3 Common SRAM | 16        | 0x2014_0000   | 0x2014_3FFF | YES           | YES           | -                      | ECC        |
| CDA9                         | CPU1 and CPU3 Common SRAM | 16        | 0x2014_4000   | 0x2014_7FFF | YES           | YES           | -                      | ECC        |
| CDA10                        | CPU1 and CPU3 Common SRAM | 16        | 0x2014_8000   | 0x2014_BFFF | YES           | YES           | -                      | ECC        |
| CDA11                        | CPU1 and CPU3 Common SRAM | 16        | 0x2014_C000   | 0x2014_FFFF | YES           | YES           | -                      | ECC        |
| HSM MailBox                  | -                         | 4         | 0x302C_0800   | 0x302C_17FF | YES           | YES           | -                      | -          |
| EtherCAT RAM                 | -                         | 16        | 0x3038_1000   | 0x3038_4FFF | YES           | YES           | -                      | -          |
| EtherCAT RAM - Direct access | -                         | 16        | 0x303A_1000   | 0x303A_4FFF | YES           | YES           | -                      | -          |
| MCANA Message RAM            | -                         | 4         | 0x6002_0000   | 0x6002_0FFF | YES           | YES           | -                      | -          |
| MCANB Message RAM            | -                         | 4         | 0x6002_8000   | 0x6002_8FFF | YES           | YES           | -                      | -          |
| MCANC Message RAM            | -                         | 4         | 0x6003_0000   | 0x6003_0FFF | YES           | YES           | -                      | -          |
| MCAND Message RAM            | -                         | 4         | 0x6003_8000   | 0x6003_8FFF | YES           | YES           | -                      | -          |
| MCANE Message RAM            | -                         | 4         | 0x6004_0000   | 0x6004_0FFF | YES           | YES           | -                      | -          |
| MCANF Message RAM            | -                         | 4         | 0x6004_8000   | 0x6004_8FFF | YES           | YES           | -                      | -          |
| CPU1 DLT FIFO Regs           |                           | 8         | 0x600F_8000   | 0x600F_9FFF | YES           | YES           | -                      | -          |
| CPU2 DLT FIFO Regs           |                           | 8         | 0x600F_A000   | 0x600F_BFFF | YES           | YES           | -                      | -          |
| CPU3 DLT FIFO Regs           |                           | 8         | 0x600F_C000   | 0x600F_DFFF | YES           | YES           | -                      | -          |
| EMIF1 - SDRAM, CS0           | No Burst Mode             | 262144    | 0x8000_0000   | 0x8FFF_FFFF | YES           | YES           | -                      | -          |
| EMIF1 - ASYNC, CS2           | No Burst Mode             | 65536     | 0x9000_0000   | 0x93FF_FFFF | YES           | YES           | -                      | -          |
| EMIF1 - ASYNC, CS3           | No Burst Mode             | 65536     | 0x9400_0000   | 0x97FF_FFFF | YES           | YES           | -                      | -          |
| EMIF1 - ASYNC, CS4           | No Burst Mode             | 65536     | 0x9800_0000   | 0x9BFF_FFFF | YES           | YES           | -                      | -          |
| EMIF1 - SDRAM, CS0           | With Burst Mode           | 262144    | 0xA000_0000   | 0xAFFF_FFFF | YES           | YES           | -                      | -          |
| EMIF1 - ASYNC, CS2           | With Burst Mode           | 65536     | 0xB000_0000   | 0xB3FF_FFFF | YES           | YES           | -                      | -          |
| EMIF1 - ASYNC, CS3           | With Burst Mode           | 65536     | 0xB400_0000   | 0xB7FF_FFFF | YES           | YES           | -                      | -          |
| EMIF1 - ASYNC, CS4           | With Burst Mode           | 65536     | 0xB800_0000   | 0xBBFF_FFFF | YES           | YES           | -                      | -          |

### 7.5.2 Flash Memory Map

The F29H85x, F29P58x, and F29P32x devices feature up to 4MB of program Flash memory. Program Flash consists of interleaved pairs of 512KB Flash banks, with up to two interleaved pairs (4 banks total) each assigned to Flash Controller 1 (FLC1) and Flash Controller 2 (FLC2). There is also a single 256KB data bank present in FLC1. The Flash banks are notated according to the Flash Controller and bank number. For example, FLC2.B0/B1 refers to the first interleaved pair of banks (B0 and B1) in FLC2, while FLC1.B4 refers to the single data bank in FLC1.

Each Flash bank is made up of 2KB physical sectors. The nominal size (for example, 512KB) denotes the size of the MAIN region. In addition, each Flash bank includes two special regions:

- SECCFG, for storing SSU configuration settings, and
- BANKMGMT, for storing bank mode settings and firmware update metadata.

Flash memory on F29x devices can be addressed through multiple Flash Read Interfaces (FRIs), each with one or more read ports that address up to 1MB of Flash memory. The available FRIs are shown in [Table 7-2](#). The actual Flash memory region that a read port addresses at a given time is dependent on the current system bank mode and swap configurations. For devices with CPU3 present, there are 4 bank modes available (0 to 3). For devices without CPU3 present, there are two bank modes available (0 to 1). CPU2 and CPU4 (if present) are secondary CPUs and cannot execute code directly from Flash.

**Table 7-2. F29x Flash Read Interfaces**

| FLASH READ INTERFACE | DESCRIPTION                       |
|----------------------|-----------------------------------|
| FRI-1                | CPU1 program memory               |
| FRI-2                | CPU3 program memory               |
| FRI-3                | Firmware update region (FOTA/LFU) |
| FRI-4                | Data Flash bank                   |

The Flash bank mode is configured by the BANKMODE register in the SSU\_GEN\_REGS register aperture, and is loaded from the BANKMGMT sector of the active code bank pair in FLC1 during device boot. When CPU3, is present, BANKMODE values of 0 and 1 map all program Flash to CPU1, while BANKMODE values of 2 and 3 map half of the available program Flash to CPU1 and the other half to CPU3. The odd numbered BANKMODE values (1 and 3) enable firmware updates with A/B swap, allowing code to execute from one half of Flash while the other half can be programmed with updated code. When the CPU1SWAP or CPU3SWAP bit in the SSU\_GEN\_REGS.BANKMAP register is set, the hardware swaps the Flash banks such that the newly programmed banks replace the old banks at the same read port addresses. This feature can be used to implement Firmware-Over-The-Air update (FOTA) or Live Firmware Update (LFU) in the target system application.

**Table 7-3. C29x CPU Bank Modes**

| BANKMODE | Flash Mapping                                       | Swap Enabled | 1-CPU Devices |
|----------|-----------------------------------------------------|--------------|---------------|
| 0        | All program Flash mapped to CPU1                    | No           | Available     |
| 1        |                                                     | Yes          | Available     |
| 2        | Program Flash memory is split between CPU1 and CPU3 | No           | N/A           |
| 3        |                                                     | Yes          | N/A           |

For more information on Flash operation, see the [F29H85x and F29P58x Real-Time Microcontrollers Technical Reference Manual](#).

**7.5.2.1 Flash MAIN Region Address Map (F29H85x, 4MB)**

The address mapping tables in this section apply to the following general part numbers: F29H850TU9, F29H859TU8, F29H850DU7, F29H859DU6.

**Table 7-4. Flash MAIN Region Address Mapping (BANKMODE = 0)**

| FRI                   | READ PORT | SIZE | START ADDRESS | END ADDRESS  | FLASH BANKS |
|-----------------------|-----------|------|---------------|--------------|-------------|
| FRI-1 (CPU1 program)  | RP0       | 1MB  | 0x10000000    | 0x100FFFFFFF | FLC1.B0/B1  |
|                       | RP1       | 1MB  | 0x10100000    | 0x101FFFFFFF | FLC1.B2/B3  |
|                       | RP2       | 1MB  | 0x10200000    | 0x102FFFFFFF | FLC2.B0/B1  |
|                       | RP3       | 1MB  | 0x10300000    | 0x103FFFFFFF | FLC2.B2/B3  |
| FRI-2 (CPU3 program)  | RP0       | 1MB  | 0x10400000    | 0x104FFFFFFF | N/A         |
|                       | RP1       | 1MB  | 0x10500000    | 0x105FFFFFFF | N/A         |
| FRI-3 (Update region) | RP0       | 1MB  | 0x10600000    | 0x106FFFFFFF | N/A         |
|                       | RP1       | 1MB  | 0x10700000    | 0x107FFFFFFF | N/A         |

**Table 7-5. Flash MAIN Region Address Mapping (BANKMODE = 1)**

| FRI                   | READ PORT | SIZE | START ADDRESS | END ADDRESS  | FLASH BANKS (SWAP = 0) | FLASH BANKS (SWAP = 1) |
|-----------------------|-----------|------|---------------|--------------|------------------------|------------------------|
| FRI-1 (CPU1 program)  | RP0       | 1MB  | 0x10000000    | 0x100FFFFFFF | FLC1.B0/B1             | FLC1.B2/B3             |
|                       | RP1       | 1MB  | 0x10100000    | 0x101FFFFFFF | FLC2.B0/B1             | FLC2.B2/B3             |
|                       | RP2       | 1MB  | 0x10200000    | 0x102FFFFFFF | N/A                    | N/A                    |
|                       | RP3       | 1MB  | 0x10300000    | 0x103FFFFFFF | N/A                    | N/A                    |
| FRI-2 (CPU3 program)  | RP0       | 1MB  | 0x10400000    | 0x104FFFFFFF | N/A                    | N/A                    |
|                       | RP1       | 1MB  | 0x10500000    | 0x105FFFFFFF | N/A                    | N/A                    |
| FRI-3 (Update region) | RP0       | 1MB  | 0x10600000    | 0x106FFFFFFF | FLC1.B2/B3             | FLC1.B0/B1             |
|                       | RP1       | 1MB  | 0x10700000    | 0x107FFFFFFF | FLC2.B2/B3             | FLC2.B0/B1             |

**Table 7-6. Flash MAIN Region Address Mapping (BANKMODE = 2)**

| FRI                   | READ PORT | SIZE | START ADDRESS | END ADDRESS  | FLASH BANKS |
|-----------------------|-----------|------|---------------|--------------|-------------|
| FRI-1 (CPU1 program)  | RP0       | 1MB  | 0x10000000    | 0x100FFFFFFF | FLC1.B0/B1  |
|                       | RP1       | 1MB  | 0x10100000    | 0x101FFFFFFF | FLC1.B2/B3  |
|                       | RP2       | 1MB  | 0x10200000    | 0x102FFFFFFF | N/A         |
|                       | RP3       | 1MB  | 0x10300000    | 0x103FFFFFFF | N/A         |
| FRI-2 (CPU3 program)  | RP0       | 1MB  | 0x10400000    | 0x104FFFFFFF | FLC2.B0/B1  |
|                       | RP1       | 1MB  | 0x10500000    | 0x105FFFFFFF | FLC2.B2/B3  |
| FRI-3 (Update region) | RP0       | 1MB  | 0x10600000    | 0x106FFFFFFF | N/A         |
|                       | RP1       | 1MB  | 0x10700000    | 0x107FFFFFFF | N/A         |

**Table 7-7. Flash MAIN Region Address Mapping (BANKMODE = 3)**

| FRI                   | READ PORT | SIZE | START ADDRESS | END ADDRESS  | FLASH BANKS (SWAP = 0) | FLASH BANKS (SWAP = 1) |
|-----------------------|-----------|------|---------------|--------------|------------------------|------------------------|
| FRI-1 (CPU1 program)  | RP0       | 1MB  | 0x10000000    | 0x100FFFFFFF | FLC1.B0/B1             | FLC1.B2/B3             |
|                       | RP1       | 1MB  | 0x10100000    | 0x101FFFFFFF | N/A                    | N/A                    |
|                       | RP2       | 1MB  | 0x10200000    | 0x102FFFFFFF | N/A                    | N/A                    |
|                       | RP3       | 1MB  | 0x10300000    | 0x103FFFFFFF | N/A                    | N/A                    |
| FRI-2 (CPU3 program)  | RP0       | 1MB  | 0x10400000    | 0x104FFFFFFF | FLC2.B0/B1             | FLC2.B2/B3             |
|                       | RP1       | 1MB  | 0x10500000    | 0x105FFFFFFF | N/A                    | N/A                    |
| FRI-3 (Update region) | RP0       | 1MB  | 0x10600000    | 0x106FFFFFFF | FLC1.B2/B3             | FLC1.B0/B1             |
|                       | RP1       | 1MB  | 0x10700000    | 0x107FFFFFFF | FLC2.B2/B3             | FLC2.B0/B1             |

### 7.5.2.2 Flash MAIN Region Address Map (F29H85x, 2MB)

The address mapping tables in this section apply to the following general part numbers: F29H859TM8, F29H850DM7, F29H859DM6.

**Table 7-8. Flash MAIN Region Address Mapping (BANKMODE = 0)**

| FRI                   | READ PORT | SIZE  | START ADDRESS | END ADDRESS | FLASH BANKS |
|-----------------------|-----------|-------|---------------|-------------|-------------|
| FRI-1 (CPU1 program)  | RP0       | 512KB | 0x10000000    | 0x1007FFFF  | FLC1.B0/B1  |
|                       | RP1       | 512KB | 0x10100000    | 0x1017FFFF  | FLC1.B2/B3  |
|                       | RP2       | 512KB | 0x10200000    | 0x1027FFFF  | FLC2.B0/B1  |
|                       | RP3       | 512KB | 0x10300000    | 0x1037FFFF  | FLC2.B2/B3  |
| FRI-2 (CPU3 program)  | RP0       | 512KB | 0x10400000    | 0x1047FFFF  | N/A         |
|                       | RP1       | 512KB | 0x10500000    | 0x1057FFFF  | N/A         |
| FRI-3 (Update region) | RP0       | 512KB | 0x10600000    | 0x1067FFFF  | N/A         |
|                       | RP1       | 512KB | 0x10700000    | 0x1077FFFF  | N/A         |

**Table 7-9. Flash MAIN Region Address Mapping (BANKMODE = 1)**

| FRI                   | READ PORT | SIZE  | START ADDRESS | END ADDRESS | FLASH BANKS (SWAP = 0) | FLASH BANKS (SWAP = 1) |
|-----------------------|-----------|-------|---------------|-------------|------------------------|------------------------|
| FRI-1 (CPU1 program)  | RP0       | 512KB | 0x10000000    | 0x1007FFFF  | FLC1.B0/B1             | FLC1.B2/B3             |
|                       | RP1       | 512KB | 0x10100000    | 0x1017FFFF  | FLC2.B0/B1             | FLC2.B2/B3             |
|                       | RP2       | 512KB | 0x10200000    | 0x1027FFFF  | N/A                    | N/A                    |
|                       | RP3       | 512KB | 0x10300000    | 0x1037FFFF  | N/A                    | N/A                    |
| FRI-2 (CPU3 program)  | RP0       | 512KB | 0x10400000    | 0x1047FFFF  | N/A                    | N/A                    |
|                       | RP1       | 512KB | 0x10500000    | 0x1057FFFF  | N/A                    | N/A                    |
| FRI-3 (Update region) | RP0       | 512KB | 0x10600000    | 0x1067FFFF  | FLC1.B2/B3             | FLC1.B0/B1             |
|                       | RP1       | 512KB | 0x10700000    | 0x1077FFFF  | FLC2.B2/B3             | FLC2.B0/B1             |

**Table 7-10. Flash MAIN Region Address Mapping (BANKMODE = 2)**

| FRI                   | READ PORT | SIZE  | START ADDRESS | END ADDRESS | FLASH BANKS |
|-----------------------|-----------|-------|---------------|-------------|-------------|
| FRI-1 (CPU1 program)  | RP0       | 512KB | 0x10000000    | 0x1007FFFF  | FLC1.B0/B1  |
|                       | RP1       | 512KB | 0x10100000    | 0x1017FFFF  | FLC1.B2/B3  |
|                       | RP2       | 512KB | 0x10200000    | 0x1027FFFF  | N/A         |
|                       | RP3       | 512KB | 0x10300000    | 0x1037FFFF  | N/A         |
| FRI-2 (CPU3 program)  | RP0       | 512KB | 0x10400000    | 0x1047FFFF  | FLC2.B0/B1  |
|                       | RP1       | 512KB | 0x10500000    | 0x1057FFFF  | FLC2.B2/B3  |
| FRI-3 (Update region) | RP0       | 512KB | 0x10600000    | 0x1067FFFF  | N/A         |
|                       | RP1       | 512KB | 0x10700000    | 0x1077FFFF  | N/A         |

**Table 7-11. Flash MAIN Region Address Mapping (BANKMODE = 3)**

| FRI                   | READ PORT | SIZE  | START ADDRESS | END ADDRESS | FLASH BANKS (SWAP = 0) | FLASH BANKS (SWAP = 1) |
|-----------------------|-----------|-------|---------------|-------------|------------------------|------------------------|
| FRI-1 (CPU1 program)  | RP0       | 512KB | 0x10000000    | 0x1007FFFF  | FLC1.B0/B1             | FLC1.B2/B3             |
|                       | RP1       | 512KB | 0x10100000    | 0x1017FFFF  | N/A                    | N/A                    |
|                       | RP2       | 512KB | 0x10200000    | 0x1027FFFF  | N/A                    | N/A                    |
|                       | RP3       | 512KB | 0x10300000    | 0x1037FFFF  | N/A                    | N/A                    |
| FRI-2 (CPU3 program)  | RP0       | 512KB | 0x10400000    | 0x1047FFFF  | FLC2.B0/B1             | FLC2.B2/B3             |
|                       | RP1       | 512KB | 0x10500000    | 0x1057FFFF  | N/A                    | N/A                    |
| FRI-3 (Update region) | RP0       | 512KB | 0x10600000    | 0x1067FFFF  | FLC1.B2/B3             | FLC1.B0/B1             |
|                       | RP1       | 512KB | 0x10700000    | 0x1077FFFF  | FLC2.B2/B3             | FLC2.B0/B1             |

### 7.5.2.3 Flash MAIN Region Address Map (F29P58x, 4MB)

The address mapping tables in this section apply to the following general part number: F29P589DU5.

**Table 7-12. Flash MAIN Region Address Mapping (BANKMODE = 0)**

| FRI                   | READ PORT | SIZE | START ADDRESS | END ADDRESS  | FLASH BANKS |
|-----------------------|-----------|------|---------------|--------------|-------------|
| FRI-1 (CPU1 program)  | RP0       | 1MB  | 0x10000000    | 0x100FFFFFFF | FLC1.B0/B1  |
|                       | RP1       | 1MB  | 0x10100000    | 0x101FFFFFFF | FLC1.B2/B3  |
|                       | RP2       | 1MB  | 0x10200000    | 0x102FFFFFFF | FLC2.B0/B1  |
|                       | RP3       | 1MB  | 0x10300000    | 0x103FFFFFFF | FLC2.B2/B3  |
| FRI-3 (Update region) | RP0       | 1MB  | 0x10600000    | 0x106FFFFFFF | N/A         |
|                       | RP1       | 1MB  | 0x10700000    | 0x107FFFFFFF | N/A         |

**Table 7-13. Flash MAIN Region Address Mapping (BANKMODE = 1)**

| FRI                   | READ PORT | SIZE | START ADDRESS | END ADDRESS  | FLASH BANKS (SWAP = 0) | FLASH BANKS (SWAP = 1) |
|-----------------------|-----------|------|---------------|--------------|------------------------|------------------------|
| FRI-1 (CPU1 program)  | RP0       | 1MB  | 0x10000000    | 0x100FFFFFFF | FLC1.B0/B1             | FLC1.B2/B3             |
|                       | RP1       | 1MB  | 0x10100000    | 0x101FFFFFFF | FLC2.B0/B1             | FLC2.B2/B3             |
|                       | RP2       | 1MB  | 0x10200000    | 0x102FFFFFFF | N/A                    | N/A                    |
|                       | RP3       | 1MB  | 0x10300000    | 0x103FFFFFFF | N/A                    | N/A                    |
| FRI-3 (Update region) | RP0       | 1MB  | 0x10600000    | 0x106FFFFFFF | FLC1.B2/B3             | FLC1.B0/B1             |
|                       | RP1       | 1MB  | 0x10700000    | 0x107FFFFFFF | FLC2.B2/B3             | FLC2.B0/B1             |

### 7.5.2.4 Flash MAIN Region Address Map (F29P58x, F29P32x 2MB)

The address mapping tables in this section apply to the following general part numbers: F29P580DM5, F29P589DM5, and F29P329SM2.

**Table 7-14. Flash MAIN Region Address Mapping (BANKMODE = 0)**

| FRI                   | READ PORT | SIZE | START ADDRESS | END ADDRESS  | FLASH BANKS |
|-----------------------|-----------|------|---------------|--------------|-------------|
| FRI-1 (CPU1 program)  | RP0       | 1MB  | 0x10000000    | 0x100FFFFFFF | FLC1.B0/B1  |
|                       | RP1       | 1MB  | 0x10100000    | 0x101FFFFFFF | FLC1.B2/B3  |
| FRI-3 (Update region) | RP0       | 1MB  | 0x10600000    | 0x106FFFFFFF | N/A         |

**Table 7-15. Flash MAIN Region Address Mapping (BANKMODE = 1)**

| FRI                   | READ PORT | SIZE | START ADDRESS | END ADDRESS  | FLASH BANKS (SWAP = 0) | FLASH BANKS (SWAP = 1) |
|-----------------------|-----------|------|---------------|--------------|------------------------|------------------------|
| FRI-1 (CPU1 program)  | RP0       | 1MB  | 0x10000000    | 0x100FFFFFFF | FLC1.B0/B1             | FLC1.B2/B3             |
|                       | RP1       | 1MB  | 0x10100000    | 0x101FFFFFFF | N/A                    | N/A                    |
| FRI-3 (Update region) | RP0       | 1MB  | 0x10600000    | 0x106FFFFFFF | FLC1.B2/B3             | FLC1.B0/B1             |

### 7.5.2.5 Flash MAIN Region Address MAP (F29P329x, 1MB)

The address mapping tables in this section apply to the following general part numbers: F29P580DM5, F29P589DM5.

**Table 7-16. Flash MAIN Region Address Mapping (BANKMODE = 0)**

| FRI                   | READ PORT | SIZE  | START ADDRESS | END ADDRESS | FLASH BANKS |
|-----------------------|-----------|-------|---------------|-------------|-------------|
| FRI-1 (CPU1 program)  | RP0       | 512KB | 0x10000000    | 0x1007FFFF  | FLC1.B0/B1  |
|                       | RP1       | 512KB | 0x10100000    | 0x1017FFFF  | FLC1.B2/B3  |
| FRI-3 (Update region) | RP0       | 512KB | 0x10600000    | 0x1067FFFF  | N/A         |

**Table 7-17. Flash MAIN Region Address Mapping (BANKMODE = 1)**

| FRI                   | READ PORT | SIZE  | START ADDRESS | END ADDRESS | FLASH BANKS (SWAP = 0) | FLASH BANKS (SWAP = 1) |
|-----------------------|-----------|-------|---------------|-------------|------------------------|------------------------|
| FRI-1 (CPU1 program)  | RP0       | 512KB | 0x10000000    | 0x1007FFFF  | FLC1.B0/B1             | FLC1.B2/B3             |
|                       | RP1       | 512KB | 0x10100000    | 0x1017FFFF  | N/A                    | N/A                    |
| FRI-3 (Update region) | RP0       | 512KB | 0x10600000    | 0x1067FFFF  | FLC1.B2/B3             | FLC1.B0/B1             |

**7.5.2.6 Flash Data Bank Address Map (128KB)**

**Table 7-18. Flash Data Bank Address Mapping - F29P32x 128KB**

| FRI   | READ PORT | SIZE  | START ADDRESS | END ADDRESS | FLASH BANKS |
|-------|-----------|-------|---------------|-------------|-------------|
| FRI-4 | RP0       | 128KB | 0x10C00000    | 0x10C1FFFF  | FLC1.B4     |

**7.5.2.7 Flash Data Bank Address Map (256KB)**

**Table 7-19. Flash Data Bank Address Mapping - F29H85x/F29P58x 256KB**

| FRI   | READ PORT | SIZE  | START ADDRESS | END ADDRESS | FLASH BANKS |
|-------|-----------|-------|---------------|-------------|-------------|
| FRI-4 | RP0       | 256KB | 0x10C00000    | 0x10C3FFFF  | FLC1.B4     |

### 7.5.2.8 Flash BANKMGMT Region Address Map

The following address map tables apply to all part numbers.

**Table 7-20. Flash BANKMGMT Region Address Mapping (BANKMODE = 0)**

| FRI                                 | READ PORT | SIZE | START ADDRESS | END ADDRESS | FLASH BANKS |
|-------------------------------------|-----------|------|---------------|-------------|-------------|
| FRI-1 (CPU1 program)                | RP0       | 4KB  | 0x10D80000    | 0x10D80FFF  | FLC1.B0/B1  |
|                                     | RP1       | 4KB  | 0x10D84000    | 0x10D84FFF  | FLC1.B2/B3  |
|                                     | RP2       | 4KB  | 0x10D88000    | 0x10D88FFF  | FLC2.B0/B1  |
|                                     | RP3       | 4KB  | 0x10D8C000    | 0x10D8CFFF  | FLC2.B2/B3  |
| FRI-2 (CPU3 program) <sup>(1)</sup> | RP0       | 4KB  | 0x10D90000    | 0x10D90FFF  | N/A         |
|                                     | RP1       | 4KB  | 0x10D94000    | 0x10D94FFF  | N/A         |
| FRI-3 (Update region)               | RP0       | 4KB  | 0x10D98000    | 0x10D98FFF  | N/A         |
|                                     | RP1       | 4KB  | 0x10D9C000    | 0x10D9CFFF  | N/A         |

**Table 7-21. Flash BANKMGMT Region Address Mapping (BANKMODE = 1)**

| FRI                                 | READ PORT | SIZE | START ADDRESS | END ADDRESS | FLASH BANKS (SWAP = 0) | FLASH BANKS (SWAP = 1) |
|-------------------------------------|-----------|------|---------------|-------------|------------------------|------------------------|
| FRI-1 (CPU1 program)                | RP0       | 4KB  | 0x10D80000    | 0x10D80FFF  | FLC1.B0/B1             | FLC1.B2/B3             |
|                                     | RP1       | 4KB  | 0x10D84000    | 0x10D84FFF  | FLC2.B0/B1             | FLC2.B2/B3             |
|                                     | RP2       | 4KB  | 0x10D88000    | 0x10D88FFF  | N/A                    | N/A                    |
|                                     | RP3       | 4KB  | 0x10D8C000    | 0x10D8CFFF  | N/A                    | N/A                    |
| FRI-2 (CPU3 program) <sup>(1)</sup> | RP0       | 4KB  | 0x10D90000    | 0x10D90FFF  | N/A                    | N/A                    |
|                                     | RP1       | 4KB  | 0x10D94000    | 0x10D94FFF  | N/A                    | N/A                    |
| FRI-3 (Update region)               | RP0       | 4KB  | 0x10D98000    | 0x10D98FFF  | FLC1.B2/B3             | FLC1.B0/B1             |
|                                     | RP1       | 4KB  | 0x10D9C000    | 0x10D9CFFF  | FLC2.B2/B3             | FLC2.B0/B1             |

**Table 7-22. Flash BANKMGMT Region Address Mapping (BANKMODE = 2)**

| FRI                                 | READ PORT | SIZE | START ADDRESS | END ADDRESS | FLASH BANKS |
|-------------------------------------|-----------|------|---------------|-------------|-------------|
| FRI-1 (CPU1 program)                | RP0       | 4KB  | 0x10D80000    | 0x10D80FFF  | FLC1.B0/B1  |
|                                     | RP1       | 4KB  | 0x10D84000    | 0x10D84FFF  | FLC1.B2/B3  |
|                                     | RP2       | 4KB  | 0x10D88000    | 0x10D88FFF  | N/A         |
|                                     | RP3       | 4KB  | 0x10D8C000    | 0x10D8CFFF  | N/A         |
| FRI-2 (CPU3 program) <sup>(1)</sup> | RP0       | 4KB  | 0x10D90000    | 0x10D90FFF  | FLC2.B0/B1  |
|                                     | RP1       | 4KB  | 0x10D94000    | 0x10D94FFF  | FLC2.B2/B3  |
| FRI-3 (Update region)               | RP0       | 4KB  | 0x10D98000    | 0x10D98FFF  | N/A         |
|                                     | RP1       | 4KB  | 0x10D9C000    | 0x10D9CFFF  | N/A         |

**Table 7-23. Flash BANKMGMT Region Address Mapping (BANKMODE = 3)**

| FRI                                 | READ PORT | SIZE | START ADDRESS | END ADDRESS | FLASH BANKS (SWAP = 0) | FLASH BANKS (SWAP = 1) |
|-------------------------------------|-----------|------|---------------|-------------|------------------------|------------------------|
| FRI-1 (CPU1 program)                | RP0       | 4KB  | 0x10D80000    | 0x10D80FFF  | FLC1.B0/B1             | FLC1.B2/B3             |
|                                     | RP1       | 4KB  | 0x10D84000    | 0x10D84FFF  | N/A                    | N/A                    |
|                                     | RP2       | 4KB  | 0x10D88000    | 0x10D88FFF  | N/A                    | N/A                    |
|                                     | RP3       | 4KB  | 0x10D8C000    | 0x10D8CFFF  | N/A                    | N/A                    |
| FRI-2 (CPU3 program) <sup>(1)</sup> | RP0       | 4KB  | 0x10D90000    | 0x10D90FFF  | FLC2.B0/B1             | FLC2.B2/B3             |
|                                     | RP1       | 4KB  | 0x10D94000    | 0x10D94FFF  | N/A                    | N/A                    |
| FRI-3 (Update region)               | RP0       | 4KB  | 0x10D98000    | 0x10D98FFF  | FLC1.B2/B3             | FLC1.B0/B1             |
|                                     | RP1       | 4KB  | 0x10D9C000    | 0x10D9CFFF  | FLC2.B2/B3             | FLC2.B0/B1             |

(1) FRI-2/CPU3 not available on F29P58x devices.

### 7.5.2.9 Flash SECCFG Region Address Map

The following address map tables apply to all part numbers.

**Table 7-24. Flash SECCFG Region Address Mapping (BANKMODE = 0)**

| FRI                                 | READ PORT | SIZE | START ADDRESS | END ADDRESS | FLASH BANKS |
|-------------------------------------|-----------|------|---------------|-------------|-------------|
| FRI-1 (CPU1 program)                | RP0       | 4KB  | 0x10D81000    | 0x10D81FFF  | FLC1.B0/B1  |
|                                     | RP1       | 4KB  | 0x10D85000    | 0x10D85FFF  | FLC1.B2/B3  |
|                                     | RP2       | 4KB  | 0x10D89000    | 0x10D89FFF  | FLC2.B0/B1  |
|                                     | RP3       | 4KB  | 0x10D8D000    | 0x10D8DFFF  | FLC2.B2/B3  |
| FRI-2 (CPU3 program) <sup>(1)</sup> | RP0       | 4KB  | 0x10D91000    | 0x10D91FFF  | N/A         |
|                                     | RP1       | 4KB  | 0x10D95000    | 0x10D95FFF  | N/A         |
| FRI-3 (Update region)               | RP0       | 4KB  | 0x10D99000    | 0x10D99FFF  | N/A         |
|                                     | RP1       | 4KB  | 0x10D9D000    | 0x10D9DFFF  | N/A         |

**Table 7-25. Flash SECCFG Region Address Mapping (BANKMODE = 1)**

| FRI                                 | READ PORT | SIZE | START ADDRESS | END ADDRESS | FLASH BANKS (SWAP = 0) | FLASH BANKS (SWAP = 1) |
|-------------------------------------|-----------|------|---------------|-------------|------------------------|------------------------|
| FRI-1 (CPU1 program)                | RP0       | 4KB  | 0x10D81000    | 0x10D81FFF  | FLC1.B0/B1             | FLC1.B2/B3             |
|                                     | RP1       | 4KB  | 0x10D85000    | 0x10D85FFF  | FLC2.B0/B1             | FLC2.B2/B3             |
|                                     | RP2       | 4KB  | 0x10D89000    | 0x10D89FFF  | N/A                    | N/A                    |
|                                     | RP3       | 4KB  | 0x10D8D000    | 0x10D8DFFF  | N/A                    | N/A                    |
| FRI-2 (CPU3 program) <sup>(1)</sup> | RP0       | 4KB  | 0x10D91000    | 0x10D91FFF  | N/A                    | N/A                    |
|                                     | RP1       | 4KB  | 0x10D95000    | 0x10D95FFF  | N/A                    | N/A                    |
| FRI-3 (Update region)               | RP0       | 4KB  | 0x10D99000    | 0x10D99FFF  | FLC1.B2/B3             | FLC1.B0/B1             |
|                                     | RP1       | 4KB  | 0x10D9D000    | 0x10D9DFFF  | FLC2.B2/B3             | FLC2.B0/B1             |

**Table 7-26. Flash SECCFG Region Address Mapping (BANKMODE = 2)**

| FRI                                 | READ PORT | SIZE | START ADDRESS | END ADDRESS | FLASH BANKS |
|-------------------------------------|-----------|------|---------------|-------------|-------------|
| FRI-1 (CPU1 program)                | RP0       | 4KB  | 0x10D81000    | 0x10D81FFF  | FLC1.B0/B1  |
|                                     | RP1       | 4KB  | 0x10D85000    | 0x10D85FFF  | FLC1.B2/B3  |
|                                     | RP2       | 4KB  | 0x10D89000    | 0x10D89FFF  | N/A         |
|                                     | RP3       | 4KB  | 0x10D8D000    | 0x10D8DFFF  | N/A         |
| FRI-2 (CPU3 program) <sup>(1)</sup> | RP0       | 4KB  | 0x10D91000    | 0x10D91FFF  | FLC2.B0/B1  |
|                                     | RP1       | 4KB  | 0x10D95000    | 0x10D95FFF  | FLC2.B2/B3  |
| FRI-3 (Update region)               | RP0       | 4KB  | 0x10D99000    | 0x10D99FFF  | N/A         |
|                                     | RP1       | 4KB  | 0x10D9D000    | 0x10D9DFFF  | N/A         |

**Table 7-27. Flash SECCFG Region Address Mapping (BANKMODE = 3)**

| FRI                                 | READ PORT | SIZE | START ADDRESS | END ADDRESS | FLASH BANKS (SWAP = 0) | FLASH BANKS (SWAP = 1) |
|-------------------------------------|-----------|------|---------------|-------------|------------------------|------------------------|
| FRI-1 (CPU1 program)                | RP0       | 4KB  | 0x10D81000    | 0x10D81FFF  | FLC1.B0/B1             | FLC1.B2/B3             |
|                                     | RP1       | 4KB  | 0x10D85000    | 0x10D85FFF  | N/A                    | N/A                    |
|                                     | RP2       | 4KB  | 0x10D89000    | 0x10D89FFF  | N/A                    | N/A                    |
|                                     | RP3       | 4KB  | 0x10D8D000    | 0x10D8DFFF  | N/A                    | N/A                    |
| FRI-2 (CPU3 program) <sup>(1)</sup> | RP0       | 4KB  | 0x10D91000    | 0x10D91FFF  | FLC2.B0/B1             | FLC2.B2/B3             |
|                                     | RP1       | 4KB  | 0x10D95000    | 0x10D95FFF  | N/A                    | N/A                    |
| FRI-3 (Update region)               | RP0       | 4KB  | 0x10D99000    | 0x10D99FFF  | FLC1.B2/B3             | FLC1.B0/B1             |
|                                     | RP1       | 4KB  | 0x10D9D000    | 0x10D9DFFF  | FLC2.B2/B3             | FLC2.B0/B1             |

(1) FRI-2/CPU3 not available on F29P58x devices.

### 7.5.3 Peripheral Registers Memory Map

**Table 7-28. Peripheral Registers Memory Map**

| Structure              | DriverLib Name     | Base Address | Frame Applicable | CPU1 | CPU2 | CPU3 | RTDMA1 | RTDMA2 | HSM |
|------------------------|--------------------|--------------|------------------|------|------|------|--------|--------|-----|
| <b>vbusp_cpu1</b>      |                    |              |                  |      |      |      |        |        |     |
| SECAP_HANDLER_REGS     | C29DEBUGSS_BASE    | 0x3001_8000  | -                | YES  | -    | -    | -      | -      | -   |
| LCM_REGS               | LCM_CPU_BASE       | 0x3003_2000  | -                | YES  | -    | -    | -      | -      | -   |
| <b>vbus32_ethercat</b> |                    |              |                  |      |      |      |        |        |     |
| ESCSS_REGS             | ESC_SS_BASE        | 0x3038_8000  | -                | YES  | YES  | YES  | YES    | YES    | -   |
| ESCSS_CONFIG_REGS      | ESC_SS_CONFIG_BASE | 0x3038_8200  | -                | YES  | YES  | YES  | YES    | YES    | -   |
| <b>vbus32_frame0</b>   |                    |              |                  |      |      |      |        |        |     |
| EPWM_REGS              | EPWM1_BASE         | 0x7000_0000  | YES              | YES  | YES  | YES  | YES    | YES    | -   |
| EPWM_XCMP_REGS         | EPWM1XCMP_BASE     | 0x7000_0400  | YES              | YES  | YES  | YES  | YES    | YES    | -   |
| DE_REGS                | EPWM1DE_BASE       | 0x7000_0800  | YES              | YES  | YES  | YES  | YES    | YES    | -   |
| MINDB_LUT_REGS         | EPWM1MINDBLUT_BASE | 0x7000_0C00  | YES              | YES  | YES  | YES  | YES    | YES    | -   |
| EPWM_REGS              | EPWM2_BASE         | 0x7000_1000  | YES              | YES  | YES  | YES  | YES    | YES    | -   |
| EPWM_XCMP_REGS         | EPWM2XCMP_BASE     | 0x7000_1400  | YES              | YES  | YES  | YES  | YES    | YES    | -   |
| DE_REGS                | EPWM2DE_BASE       | 0x7000_1800  | YES              | YES  | YES  | YES  | YES    | YES    | -   |
| MINDB_LUT_REGS         | EPWM2MINDBLUT_BASE | 0x7000_1C00  | YES              | YES  | YES  | YES  | YES    | YES    | -   |
| EPWM_REGS              | EPWM3_BASE         | 0x7000_2000  | YES              | YES  | YES  | YES  | YES    | YES    | -   |
| EPWM_XCMP_REGS         | EPWM3XCMP_BASE     | 0x7000_2400  | YES              | YES  | YES  | YES  | YES    | YES    | -   |
| DE_REGS                | EPWM3DE_BASE       | 0x7000_2800  | YES              | YES  | YES  | YES  | YES    | YES    | -   |
| MINDB_LUT_REGS         | EPWM3MINDBLUT_BASE | 0x7000_2C00  | YES              | YES  | YES  | YES  | YES    | YES    | -   |
| EPWM_REGS              | EPWM4_BASE         | 0x7000_3000  | YES              | YES  | YES  | YES  | YES    | YES    | -   |
| EPWM_XCMP_REGS         | EPWM4XCMP_BASE     | 0x7000_3400  | YES              | YES  | YES  | YES  | YES    | YES    | -   |
| DE_REGS                | EPWM4DE_BASE       | 0x7000_3800  | YES              | YES  | YES  | YES  | YES    | YES    | -   |
| MINDB_LUT_REGS         | EPWM4MINDBLUT_BASE | 0x7000_3C00  | YES              | YES  | YES  | YES  | YES    | YES    | -   |
| EPWM_REGS              | EPWM5_BASE         | 0x7000_4000  | YES              | YES  | YES  | YES  | YES    | YES    | -   |
| EPWM_XCMP_REGS         | EPWM5XCMP_BASE     | 0x7000_4400  | YES              | YES  | YES  | YES  | YES    | YES    | -   |
| DE_REGS                | EPWM5DE_BASE       | 0x7000_4800  | YES              | YES  | YES  | YES  | YES    | YES    | -   |
| MINDB_LUT_REGS         | EPWM5MINDBLUT_BASE | 0x7000_4C00  | YES              | YES  | YES  | YES  | YES    | YES    | -   |
| EPWM_REGS              | EPWM6_BASE         | 0x7000_5000  | YES              | YES  | YES  | YES  | YES    | YES    | -   |
| EPWM_XCMP_REGS         | EPWM6XCMP_BASE     | 0x7000_5400  | YES              | YES  | YES  | YES  | YES    | YES    | -   |
| DE_REGS                | EPWM6DE_BASE       | 0x7000_5800  | YES              | YES  | YES  | YES  | YES    | YES    | -   |
| MINDB_LUT_REGS         | EPWM6MINDBLUT_BASE | 0x7000_5C00  | YES              | YES  | YES  | YES  | YES    | YES    | -   |
| EPWM_REGS              | EPWM7_BASE         | 0x7000_6000  | YES              | YES  | YES  | YES  | YES    | YES    | -   |
| EPWM_XCMP_REGS         | EPWM7XCMP_BASE     | 0x7000_6400  | YES              | YES  | YES  | YES  | YES    | YES    | -   |

**Table 7-28. Peripheral Registers Memory Map (continued)**

| Structure      | DriverLib Name      | Base Address | Frame Applicable | CPU1 | CPU2 | CPU3 | RTDMA1 | RTDMA2 | HSM |
|----------------|---------------------|--------------|------------------|------|------|------|--------|--------|-----|
| DE_REGS        | EPWM7DE_BASE        | 0x7000_6800  | YES              | YES  | YES  | YES  | YES    | YES    | -   |
| MINDB_LUT_REGS | EPWM7MINDBLUT_BASE  | 0x7000_6C00  | YES              | YES  | YES  | YES  | YES    | YES    | -   |
| EPWM_REGS      | EPWM8_BASE          | 0x7000_7000  | YES              | YES  | YES  | YES  | YES    | YES    | -   |
| EPWM_XCMP_REGS | EPWM8XCMP_BASE      | 0x7000_7400  | YES              | YES  | YES  | YES  | YES    | YES    | -   |
| DE_REGS        | EPWM8DE_BASE        | 0x7000_7800  | YES              | YES  | YES  | YES  | YES    | YES    | -   |
| MINDB_LUT_REGS | EPWM8MINDBLUT_BASE  | 0x7000_7C00  | YES              | YES  | YES  | YES  | YES    | YES    | -   |
| EPWM_REGS      | EPWM9_BASE          | 0x7000_8000  | YES              | YES  | YES  | YES  | YES    | YES    | -   |
| EPWM_XCMP_REGS | EPWM9XCMP_BASE      | 0x7000_8400  | YES              | YES  | YES  | YES  | YES    | YES    | -   |
| DE_REGS        | EPWM9DE_BASE        | 0x7000_8800  | YES              | YES  | YES  | YES  | YES    | YES    | -   |
| MINDB_LUT_REGS | EPWM9MINDBLUT_BASE  | 0x7000_8C00  | YES              | YES  | YES  | YES  | YES    | YES    | -   |
| EPWM_REGS      | EPWM10_BASE         | 0x7000_9000  | YES              | YES  | YES  | YES  | YES    | YES    | -   |
| EPWM_XCMP_REGS | EPWM10XCMP_BASE     | 0x7000_9400  | YES              | YES  | YES  | YES  | YES    | YES    | -   |
| DE_REGS        | EPWM10DE_BASE       | 0x7000_9800  | YES              | YES  | YES  | YES  | YES    | YES    | -   |
| MINDB_LUT_REGS | EPWM10MINDBLUT_BASE | 0x7000_9C00  | YES              | YES  | YES  | YES  | YES    | YES    | -   |
| EPWM_REGS      | EPWM11_BASE         | 0x7000_A000  | YES              | YES  | YES  | YES  | YES    | YES    | -   |
| EPWM_XCMP_REGS | EPWM11XCMP_BASE     | 0x7000_A400  | YES              | YES  | YES  | YES  | YES    | YES    | -   |
| DE_REGS        | EPWM11DE_BASE       | 0x7000_A800  | YES              | YES  | YES  | YES  | YES    | YES    | -   |
| MINDB_LUT_REGS | EPWM11MINDBLUT_BASE | 0x7000_AC00  | YES              | YES  | YES  | YES  | YES    | YES    | -   |
| EPWM_REGS      | EPWM12_BASE         | 0x7000_B000  | YES              | YES  | YES  | YES  | YES    | YES    | -   |
| EPWM_XCMP_REGS | EPWM12XCMP_BASE     | 0x7000_B400  | YES              | YES  | YES  | YES  | YES    | YES    | -   |
| DE_REGS        | EPWM12DE_BASE       | 0x7000_B800  | YES              | YES  | YES  | YES  | YES    | YES    | -   |
| MINDB_LUT_REGS | EPWM12MINDBLUT_BASE | 0x7000_BC00  | YES              | YES  | YES  | YES  | YES    | YES    | -   |
| EPWM_REGS      | EPWM13_BASE         | 0x7000_C000  | YES              | YES  | YES  | YES  | YES    | YES    | -   |
| EPWM_XCMP_REGS | EPWM13XCMP_BASE     | 0x7000_C400  | YES              | YES  | YES  | YES  | YES    | YES    | -   |
| DE_REGS        | EPWM13DE_BASE       | 0x7000_C800  | YES              | YES  | YES  | YES  | YES    | YES    | -   |
| MINDB_LUT_REGS | EPWM13MINDBLUT_BASE | 0x7000_CC00  | YES              | YES  | YES  | YES  | YES    | YES    | -   |
| EPWM_REGS      | EPWM14_BASE         | 0x7000_D000  | YES              | YES  | YES  | YES  | YES    | YES    | -   |
| EPWM_XCMP_REGS | EPWM14XCMP_BASE     | 0x7000_D400  | YES              | YES  | YES  | YES  | YES    | YES    | -   |
| DE_REGS        | EPWM14DE_BASE       | 0x7000_D800  | YES              | YES  | YES  | YES  | YES    | YES    | -   |
| MINDB_LUT_REGS | EPWM14MINDBLUT_BASE | 0x7000_DC00  | YES              | YES  | YES  | YES  | YES    | YES    | -   |
| EPWM_REGS      | EPWM15_BASE         | 0x7000_E000  | YES              | YES  | YES  | YES  | YES    | YES    | -   |
| EPWM_XCMP_REGS | EPWM15XCMP_BASE     | 0x7000_E400  | YES              | YES  | YES  | YES  | YES    | YES    | -   |
| DE_REGS        | EPWM15DE_BASE       | 0x7000_E800  | YES              | YES  | YES  | YES  | YES    | YES    | -   |
| MINDB_LUT_REGS | EPWM15MINDBLUT_BASE | 0x7000_EC00  | YES              | YES  | YES  | YES  | YES    | YES    | -   |
| EPWM_REGS      | EPWM16_BASE         | 0x7000_F000  | YES              | YES  | YES  | YES  | YES    | YES    | -   |

**Table 7-28. Peripheral Registers Memory Map (continued)**

| Structure      | DriverLib Name          | Base Address | Frame Applicable | CPU1 | CPU2 | CPU3 | RTDMA1 | RTDMA2 | HSM |
|----------------|-------------------------|--------------|------------------|------|------|------|--------|--------|-----|
| EPWM_XCMP_REGS | EPWM16XCMP_BASE         | 0x7000_F400  | YES              | YES  | YES  | YES  | YES    | YES    | -   |
| DE_REGS        | EPWM16DE_BASE           | 0x7000_F800  | YES              | YES  | YES  | YES  | YES    | YES    | -   |
| MINDB_LUT_REGS | EPWM16MINDBLUT_BASE     | 0x7000_FC00  | YES              | YES  | YES  | YES  | YES    | YES    | -   |
| EPWM_REGS      | EPWM17_BASE             | 0x7001_0000  | YES              | YES  | YES  | YES  | YES    | YES    | -   |
| EPWM_XCMP_REGS | EPWM17XCMP_BASE         | 0x7001_0400  | YES              | YES  | YES  | YES  | YES    | YES    | -   |
| DE_REGS        | EPWM17DE_BASE           | 0x7001_0800  | YES              | YES  | YES  | YES  | YES    | YES    | -   |
| MINDB_LUT_REGS | EPWM17MINDBLUT_BASE     | 0x7001_0C00  | YES              | YES  | YES  | YES  | YES    | YES    | -   |
| EPWM_REGS      | EPWM18_BASE             | 0x7001_1000  | YES              | YES  | YES  | YES  | YES    | YES    | -   |
| EPWM_XCMP_REGS | EPWM18XCMP_BASE         | 0x7001_1400  | YES              | YES  | YES  | YES  | YES    | YES    | -   |
| DE_REGS        | EPWM18DE_BASE           | 0x7001_1800  | YES              | YES  | YES  | YES  | YES    | YES    | -   |
| MINDB_LUT_REGS | EPWM18MINDBLUT_BASE     | 0x7001_1C00  | YES              | YES  | YES  | YES  | YES    | YES    | -   |
| EPWM_REGS      | EPWM1XLINK_BASE         | 0x7004_0000  | YES              | YES  | YES  | YES  | YES    | YES    | -   |
| EPWM_XCMP_REGS | EPWM1XCMPXLINK_BASE     | 0x7004_0400  | YES              | YES  | YES  | YES  | YES    | YES    | -   |
| DE_REGS        | EPWM1DEXLINK_BASE       | 0x7004_0800  | YES              | YES  | YES  | YES  | YES    | YES    | -   |
| MINDB_LUT_REGS | EPWM1MINDBLUTXLINK_BASE | 0x7004_0C00  | YES              | YES  | YES  | YES  | YES    | YES    | -   |
| EPWM_REGS      | EPWM2XLINK_BASE         | 0x7004_1000  | YES              | YES  | YES  | YES  | YES    | YES    | -   |
| EPWM_XCMP_REGS | EPWM2XCMPXLINK_BASE     | 0x7004_1400  | YES              | YES  | YES  | YES  | YES    | YES    | -   |
| DE_REGS        | EPWM2DEXLINK_BASE       | 0x7004_1800  | YES              | YES  | YES  | YES  | YES    | YES    | -   |
| MINDB_LUT_REGS | EPWM2MINDBLUTXLINK_BASE | 0x7004_1C00  | YES              | YES  | YES  | YES  | YES    | YES    | -   |
| EPWM_REGS      | EPWM3XLINK_BASE         | 0x7004_2000  | YES              | YES  | YES  | YES  | YES    | YES    | -   |
| EPWM_XCMP_REGS | EPWM3XCMPXLINK_BASE     | 0x7004_2400  | YES              | YES  | YES  | YES  | YES    | YES    | -   |
| DE_REGS        | EPWM3DEXLINK_BASE       | 0x7004_2800  | YES              | YES  | YES  | YES  | YES    | YES    | -   |
| MINDB_LUT_REGS | EPWM3MINDBLUTXLINK_BASE | 0x7004_2C00  | YES              | YES  | YES  | YES  | YES    | YES    | -   |
| EPWM_REGS      | EPWM4XLINK_BASE         | 0x7004_3000  | YES              | YES  | YES  | YES  | YES    | YES    | -   |
| EPWM_XCMP_REGS | EPWM4XCMPXLINK_BASE     | 0x7004_3400  | YES              | YES  | YES  | YES  | YES    | YES    | -   |
| DE_REGS        | EPWM4DEXLINK_BASE       | 0x7004_3800  | YES              | YES  | YES  | YES  | YES    | YES    | -   |
| MINDB_LUT_REGS | EPWM4MINDBLUTXLINK_BASE | 0x7004_3C00  | YES              | YES  | YES  | YES  | YES    | YES    | -   |
| EPWM_REGS      | EPWM5XLINK_BASE         | 0x7004_4000  | YES              | YES  | YES  | YES  | YES    | YES    | -   |
| EPWM_XCMP_REGS | EPWM5XCMPXLINK_BASE     | 0x7004_4400  | YES              | YES  | YES  | YES  | YES    | YES    | -   |
| DE_REGS        | EPWM5DEXLINK_BASE       | 0x7004_4800  | YES              | YES  | YES  | YES  | YES    | YES    | -   |
| MINDB_LUT_REGS | EPWM5MINDBLUTXLINK_BASE | 0x7004_4C00  | YES              | YES  | YES  | YES  | YES    | YES    | -   |
| EPWM_REGS      | EPWM6XLINK_BASE         | 0x7004_5000  | YES              | YES  | YES  | YES  | YES    | YES    | -   |
| EPWM_XCMP_REGS | EPWM6XCMPXLINK_BASE     | 0x7004_5400  | YES              | YES  | YES  | YES  | YES    | YES    | -   |
| DE_REGS        | EPWM6DEXLINK_BASE       | 0x7004_5800  | YES              | YES  | YES  | YES  | YES    | YES    | -   |
| MINDB_LUT_REGS | EPWM6MINDBLUTXLINK_BASE | 0x7004_5C00  | YES              | YES  | YES  | YES  | YES    | YES    | -   |

**Table 7-28. Peripheral Registers Memory Map (continued)**

| Structure      | DriverLib Name           | Base Address | Frame Applicable | CPU1 | CPU2 | CPU3 | RTDMA1 | RTDMA2 | HSM |
|----------------|--------------------------|--------------|------------------|------|------|------|--------|--------|-----|
| EPWM_REGS      | EPWM7XLINK_BASE          | 0x7004_6000  | YES              | YES  | YES  | YES  | YES    | YES    | -   |
| EPWM_XCMP_REGS | EPWM7XCMPXLINK_BASE      | 0x7004_6400  | YES              | YES  | YES  | YES  | YES    | YES    | -   |
| DE_REGS        | EPWM7DEXLINK_BASE        | 0x7004_6800  | YES              | YES  | YES  | YES  | YES    | YES    | -   |
| MINDB_LUT_REGS | EPWM7MINDBLUTXLINK_BASE  | 0x7004_6C00  | YES              | YES  | YES  | YES  | YES    | YES    | -   |
| EPWM_REGS      | EPWM8XLINK_BASE          | 0x7004_7000  | YES              | YES  | YES  | YES  | YES    | YES    | -   |
| EPWM_XCMP_REGS | EPWM8XCMPXLINK_BASE      | 0x7004_7400  | YES              | YES  | YES  | YES  | YES    | YES    | -   |
| DE_REGS        | EPWM8DEXLINK_BASE        | 0x7004_7800  | YES              | YES  | YES  | YES  | YES    | YES    | -   |
| MINDB_LUT_REGS | EPWM8MINDBLUTXLINK_BASE  | 0x7004_7C00  | YES              | YES  | YES  | YES  | YES    | YES    | -   |
| EPWM_REGS      | EPWM9XLINK_BASE          | 0x7004_8000  | YES              | YES  | YES  | YES  | YES    | YES    | -   |
| EPWM_XCMP_REGS | EPWM9XCMPXLINK_BASE      | 0x7004_8400  | YES              | YES  | YES  | YES  | YES    | YES    | -   |
| DE_REGS        | EPWM9DEXLINK_BASE        | 0x7004_8800  | YES              | YES  | YES  | YES  | YES    | YES    | -   |
| MINDB_LUT_REGS | EPWM9MINDBLUTXLINK_BASE  | 0x7004_8C00  | YES              | YES  | YES  | YES  | YES    | YES    | -   |
| EPWM_REGS      | EPWM10XLINK_BASE         | 0x7004_9000  | YES              | YES  | YES  | YES  | YES    | YES    | -   |
| EPWM_XCMP_REGS | EPWM10XCMPXLINK_BASE     | 0x7004_9400  | YES              | YES  | YES  | YES  | YES    | YES    | -   |
| DE_REGS        | EPWM10DEXLINK_BASE       | 0x7004_9800  | YES              | YES  | YES  | YES  | YES    | YES    | -   |
| MINDB_LUT_REGS | EPWM10MINDBLUTXLINK_BASE | 0x7004_9C00  | YES              | YES  | YES  | YES  | YES    | YES    | -   |
| EPWM_REGS      | EPWM11XLINK_BASE         | 0x7004_A000  | YES              | YES  | YES  | YES  | YES    | YES    | -   |
| EPWM_XCMP_REGS | EPWM11XCMPXLINK_BASE     | 0x7004_A400  | YES              | YES  | YES  | YES  | YES    | YES    | -   |
| DE_REGS        | EPWM11DEXLINK_BASE       | 0x7004_A800  | YES              | YES  | YES  | YES  | YES    | YES    | -   |
| MINDB_LUT_REGS | EPWM11MINDBLUTXLINK_BASE | 0x7004_AC00  | YES              | YES  | YES  | YES  | YES    | YES    | -   |
| EPWM_REGS      | EPWM12XLINK_BASE         | 0x7004_B000  | YES              | YES  | YES  | YES  | YES    | YES    | -   |
| EPWM_XCMP_REGS | EPWM12XCMPXLINK_BASE     | 0x7004_B400  | YES              | YES  | YES  | YES  | YES    | YES    | -   |
| DE_REGS        | EPWM12DEXLINK_BASE       | 0x7004_B800  | YES              | YES  | YES  | YES  | YES    | YES    | -   |
| MINDB_LUT_REGS | EPWM12MINDBLUTXLINK_BASE | 0x7004_BC00  | YES              | YES  | YES  | YES  | YES    | YES    | -   |
| EPWM_REGS      | EPWM13XLINK_BASE         | 0x7004_C000  | YES              | YES  | YES  | YES  | YES    | YES    | -   |
| EPWM_XCMP_REGS | EPWM13XCMPXLINK_BASE     | 0x7004_C400  | YES              | YES  | YES  | YES  | YES    | YES    | -   |
| DE_REGS        | EPWM13DEXLINK_BASE       | 0x7004_C800  | YES              | YES  | YES  | YES  | YES    | YES    | -   |
| MINDB_LUT_REGS | EPWM13MINDBLUTXLINK_BASE | 0x7004_CC00  | YES              | YES  | YES  | YES  | YES    | YES    | -   |
| EPWM_REGS      | EPWM14XLINK_BASE         | 0x7004_D000  | YES              | YES  | YES  | YES  | YES    | YES    | -   |
| EPWM_XCMP_REGS | EPWM14XCMPXLINK_BASE     | 0x7004_D400  | YES              | YES  | YES  | YES  | YES    | YES    | -   |
| DE_REGS        | EPWM14DEXLINK_BASE       | 0x7004_D800  | YES              | YES  | YES  | YES  | YES    | YES    | -   |
| MINDB_LUT_REGS | EPWM14MINDBLUTXLINK_BASE | 0x7004_DC00  | YES              | YES  | YES  | YES  | YES    | YES    | -   |
| EPWM_REGS      | EPWM15XLINK_BASE         | 0x7004_E000  | YES              | YES  | YES  | YES  | YES    | YES    | -   |
| EPWM_XCMP_REGS | EPWM15XCMPXLINK_BASE     | 0x7004_E400  | YES              | YES  | YES  | YES  | YES    | YES    | -   |
| DE_REGS        | EPWM15DEXLINK_BASE       | 0x7004_E800  | YES              | YES  | YES  | YES  | YES    | YES    | -   |

**Table 7-28. Peripheral Registers Memory Map (continued)**

| Structure          | DriverLib Name           | Base Address | Frame Applicable | CPU1 | CPU2 | CPU3 | RTDMA1 | RTDMA2 | HSM |
|--------------------|--------------------------|--------------|------------------|------|------|------|--------|--------|-----|
| MINDB_LUT_REGS     | EPWM15MINDBLUTXLINK_BASE | 0x7004_EC00  | YES              | YES  | YES  | YES  | YES    | YES    | -   |
| EPWM_REGS          | EPWM16XLINK_BASE         | 0x7004_F000  | YES              | YES  | YES  | YES  | YES    | YES    | -   |
| EPWM_XCMP_REGS     | EPWM16XCMPXLINK_BASE     | 0x7004_F400  | YES              | YES  | YES  | YES  | YES    | YES    | -   |
| DE_REGS            | EPWM16DEXLINK_BASE       | 0x7004_F800  | YES              | YES  | YES  | YES  | YES    | YES    | -   |
| MINDB_LUT_REGS     | EPWM16MINDBLUTXLINK_BASE | 0x7004_FC00  | YES              | YES  | YES  | YES  | YES    | YES    | -   |
| EPWM_REGS          | EPWM17XLINK_BASE         | 0x7005_0000  | YES              | YES  | YES  | YES  | YES    | YES    | -   |
| EPWM_XCMP_REGS     | EPWM17XCMPXLINK_BASE     | 0x7005_0400  | YES              | YES  | YES  | YES  | YES    | YES    | -   |
| DE_REGS            | EPWM17DEXLINK_BASE       | 0x7005_0800  | YES              | YES  | YES  | YES  | YES    | YES    | -   |
| MINDB_LUT_REGS     | EPWM17MINDBLUTXLINK_BASE | 0x7005_0C00  | YES              | YES  | YES  | YES  | YES    | YES    | -   |
| EPWM_REGS          | EPWM18XLINK_BASE         | 0x7005_1000  | YES              | YES  | YES  | YES  | YES    | YES    | -   |
| EPWM_XCMP_REGS     | EPWM18XCMPXLINK_BASE     | 0x7005_1400  | YES              | YES  | YES  | YES  | YES    | YES    | -   |
| DE_REGS            | EPWM18DEXLINK_BASE       | 0x7005_1800  | YES              | YES  | YES  | YES  | YES    | YES    | -   |
| MINDB_LUT_REGS     | EPWM18MINDBLUTXLINK_BASE | 0x7005_1C00  | YES              | YES  | YES  | YES  | YES    | YES    | -   |
| HRPWMCAL_REGS      | HRPWMCAL1_BASE           | 0x7008_0000  | YES              | YES  | YES  | YES  | YES    | YES    | -   |
| HRPWMCAL_REGS      | HRPWMCAL2_BASE           | 0x7008_1000  | YES              | YES  | YES  | YES  | YES    | YES    | -   |
| HRPWMCAL_REGS      | HRPWMCAL3_BASE           | 0x7008_2000  | YES              | YES  | YES  | YES  | YES    | YES    | -   |
| EQEP_REGS          | EQEP1_BASE               | 0x7008_8000  | YES              | YES  | YES  | YES  | YES    | YES    | -   |
| EQEP_REGS          | EQEP2_BASE               | 0x7008_9000  | YES              | YES  | YES  | YES  | YES    | YES    | -   |
| EQEP_REGS          | EQEP3_BASE               | 0x7008_A000  | YES              | YES  | YES  | YES  | YES    | YES    | -   |
| EQEP_REGS          | EQEP4_BASE               | 0x7008_B000  | YES              | YES  | YES  | YES  | YES    | YES    | -   |
| EQEP_REGS          | EQEP5_BASE               | 0x7008_C000  | YES              | YES  | YES  | YES  | YES    | YES    | -   |
| EQEP_REGS          | EQEP6_BASE               | 0x7008_D000  | YES              | YES  | YES  | YES  | YES    | YES    | -   |
| SDFM_REGS          | SDFM1_BASE               | 0x7009_0000  | YES              | YES  | YES  | YES  | YES    | YES    | -   |
| SDFM_REGS          | SDFM2_BASE               | 0x7009_1000  | YES              | YES  | YES  | YES  | YES    | YES    | -   |
| SDFM_REGS          | SDFM3_BASE               | 0x7009_2000  | YES              | YES  | YES  | YES  | YES    | YES    | -   |
| SDFM_REGS          | SDFM4_BASE               | 0x7009_3000  | YES              | YES  | YES  | YES  | YES    | YES    | -   |
| ADC_REGS           | ADCA_BASE                | 0x700A_0000  | YES              | YES  | YES  | YES  | YES    | YES    | -   |
| ADC_REGS           | ADCB_BASE                | 0x700A_1000  | YES              | YES  | YES  | YES  | YES    | YES    | -   |
| ADC_REGS           | ADCC_BASE                | 0x700A_2000  | YES              | YES  | YES  | YES  | YES    | YES    | -   |
| ADC_REGS           | ADCD_BASE                | 0x700A_3000  | YES              | YES  | YES  | YES  | YES    | YES    | -   |
| ADC_REGS           | ADCE_BASE                | 0x700A_4000  | YES              | YES  | YES  | YES  | YES    | YES    | -   |
| ADC_SAFECHECK_REGS | ADCSAFETYCHECK1_BASE     | 0x700B_0000  | YES              | YES  | YES  | YES  | YES    | YES    | -   |
| ADC_SAFECHECK_REGS | ADCSAFETYCHECK2_BASE     | 0x700B_1000  | YES              | YES  | YES  | YES  | YES    | YES    | -   |
| ADC_SAFECHECK_REGS | ADCSAFETYCHECK3_BASE     | 0x700B_2000  | YES              | YES  | YES  | YES  | YES    | YES    | -   |
| ADC_SAFECHECK_REGS | ADCSAFETYCHECK4_BASE     | 0x700B_3000  | YES              | YES  | YES  | YES  | YES    | YES    | -   |

**Table 7-28. Peripheral Registers Memory Map (continued)**

| Structure                 | DriverLib Name             | Base Address | Frame Applicable | CPU1 | CPU2 | CPU3 | RTDMA1 | RTDMA2 | HSM |
|---------------------------|----------------------------|--------------|------------------|------|------|------|--------|--------|-----|
| ADC_SAFECHECK_REGS        | ADCSAFETYCHECK5_BASE       | 0x700B_4000  | YES              | YES  | YES  | YES  | YES    | YES    | -   |
| ADC_SAFECHECK_REGS        | ADCSAFETYCHECK6_BASE       | 0x700B_5000  | YES              | YES  | YES  | YES  | YES    | YES    | -   |
| ADC_SAFECHECK_REGS        | ADCSAFETYCHECK7_BASE       | 0x700B_6000  | YES              | YES  | YES  | YES  | YES    | YES    | -   |
| ADC_SAFECHECK_REGS        | ADCSAFETYCHECK8_BASE       | 0x700B_7000  | YES              | YES  | YES  | YES  | YES    | YES    | -   |
| ADC_SAFECHECK_REGS        | ADCSAFETYCHECK9_BASE       | 0x700B_8000  | YES              | YES  | YES  | YES  | YES    | YES    | -   |
| ADC_SAFECHECK_REGS        | ADCSAFETYCHECK10_BASE      | 0x700B_9000  | YES              | YES  | YES  | YES  | YES    | YES    | -   |
| ADC_SAFECHECK_INTEVT_REGS | ADCSAFETYCHECKINTEVT1_BASE | 0x700C_0000  | YES              | YES  | YES  | YES  | YES    | YES    | -   |
| ADC_SAFECHECK_INTEVT_REGS | ADCSAFETYCHECKINTEVT2_BASE | 0x700C_1000  | YES              | YES  | YES  | YES  | YES    | YES    | -   |
| ADC_SAFECHECK_INTEVT_REGS | ADCSAFETYCHECKINTEVT3_BASE | 0x700C_2000  | YES              | YES  | YES  | YES  | YES    | YES    | -   |
| ADC_GLOBAL_REGS           | ADCGLOBAL_BASE             | 0x700C_8000  | YES              | YES  | YES  | YES  | YES    | YES    | -   |
| DAC_REGS                  | DACA_BASE                  | 0x700D_0000  | YES              | YES  | YES  | YES  | YES    | YES    | -   |
| DAC_REGS                  | DACB_BASE                  | 0x700D_1000  | YES              | YES  | YES  | YES  | YES    | YES    | -   |
| CMPSS_REGS                | CMPSS1_BASE                | 0x700E_0000  | YES              | YES  | YES  | YES  | YES    | YES    | -   |
| CMPSS_REGS                | CMPSS2_BASE                | 0x700E_1000  | YES              | YES  | YES  | YES  | YES    | YES    | -   |
| CMPSS_REGS                | CMPSS3_BASE                | 0x700E_2000  | YES              | YES  | YES  | YES  | YES    | YES    | -   |
| CMPSS_REGS                | CMPSS4_BASE                | 0x700E_3000  | YES              | YES  | YES  | YES  | YES    | YES    | -   |
| CMPSS_REGS                | CMPSS5_BASE                | 0x700E_4000  | YES              | YES  | YES  | YES  | YES    | YES    | -   |
| CMPSS_REGS                | CMPSS6_BASE                | 0x700E_5000  | YES              | YES  | YES  | YES  | YES    | YES    | -   |
| CMPSS_REGS                | CMPSS7_BASE                | 0x700E_6000  | YES              | YES  | YES  | YES  | YES    | YES    | -   |
| CMPSS_REGS                | CMPSS8_BASE                | 0x700E_7000  | YES              | YES  | YES  | YES  | YES    | YES    | -   |
| CMPSS_REGS                | CMPSS9_BASE                | 0x700E_8000  | YES              | YES  | YES  | YES  | YES    | YES    | -   |
| CMPSS_REGS                | CMPSS10_BASE               | 0x700E_9000  | YES              | YES  | YES  | YES  | YES    | YES    | -   |
| CMPSS_REGS                | CMPSS11_BASE               | 0x700E_A000  | YES              | YES  | YES  | YES  | YES    | YES    | -   |
| CMPSS_REGS                | CMPSS12_BASE               | 0x700E_B000  | YES              | YES  | YES  | YES  | YES    | YES    | -   |
| ECAP_REGS                 | ECAP1_BASE                 | 0x7010_0000  | YES              | YES  | YES  | YES  | YES    | YES    | -   |
| ECAP_SIGNAL_MONITORING    | ECAP1SIGNALMONITORING_BASE | 0x7010_0080  | YES              | YES  | YES  | YES  | YES    | YES    | -   |
| ECAP_REGS                 | ECAP2_BASE                 | 0x7010_1000  | YES              | YES  | YES  | YES  | YES    | YES    | -   |
| ECAP_SIGNAL_MONITORING    | ECAP2SIGNALMONITORING_BASE | 0x7010_1080  | YES              | YES  | YES  | YES  | YES    | YES    | -   |
| ECAP_REGS                 | ECAP3_BASE                 | 0x7010_2000  | YES              | YES  | YES  | YES  | YES    | YES    | -   |
| ECAP_SIGNAL_MONITORING    | ECAP3SIGNALMONITORING_BASE | 0x7010_2080  | YES              | YES  | YES  | YES  | YES    | YES    | -   |
| ECAP_REGS                 | ECAP4_BASE                 | 0x7010_3000  | YES              | YES  | YES  | YES  | YES    | YES    | -   |
| ECAP_SIGNAL_MONITORING    | ECAP4SIGNALMONITORING_BASE | 0x7010_3080  | YES              | YES  | YES  | YES  | YES    | YES    | -   |
| ECAP_REGS                 | ECAP5_BASE                 | 0x7010_4000  | YES              | YES  | YES  | YES  | YES    | YES    | -   |
| HRCAP_REGS                | HRCAP5_BASE                | 0x7010_4040  | YES              | YES  | YES  | YES  | YES    | YES    | -   |
| ECAP_SIGNAL_MONITORING    | ECAP5SIGNALMONITORING_BASE | 0x7010_4080  | YES              | YES  | YES  | YES  | YES    | YES    | -   |

**Table 7-28. Peripheral Registers Memory Map (continued)**

| Structure              | DriverLib Name             | Base Address | Frame Applicable | CPU1 | CPU2 | CPU3 | RTDMA1 | RTDMA2 | HSM |
|------------------------|----------------------------|--------------|------------------|------|------|------|--------|--------|-----|
| ECAP_REGS              | ECAP6_BASE                 | 0x7010_5000  | YES              | YES  | YES  | YES  | YES    | YES    | -   |
| HRCAP_REGS             | HRCAP6_BASE                | 0x7010_5040  | YES              | YES  | YES  | YES  | YES    | YES    | -   |
| ECAP_SIGNAL_MONITORING | ECAP6SIGNALMONITORING_BASE | 0x7010_5080  | YES              | YES  | YES  | YES  | YES    | YES    | -   |
| CLB_LOGIC_CONFIG_REGS  | CLB1_LOGICCFG_BASE         | 0x7012_0000  | YES              | YES  | YES  | YES  | YES    | YES    | -   |
| CLB_LOGIC_CONTROL_REGS | CLB1_LOGICCTRL_BASE        | 0x7012_0200  | YES              | YES  | YES  | YES  | YES    | YES    | -   |
| CLB_DATA_EXCHANGE_REGS | CLB1_DATAEXCH_BASE         | 0x7012_0300  | YES              | YES  | YES  | YES  | YES    | YES    | -   |
| CLB_LOGIC_CONFIG_REGS  | CLB2_LOGICCFG_BASE         | 0x7012_1000  | YES              | YES  | YES  | YES  | YES    | YES    | -   |
| CLB_LOGIC_CONTROL_REGS | CLB2_LOGICCTRL_BASE        | 0x7012_1200  | YES              | YES  | YES  | YES  | YES    | YES    | -   |
| CLB_DATA_EXCHANGE_REGS | CLB2_DATAEXCH_BASE         | 0x7012_1300  | YES              | YES  | YES  | YES  | YES    | YES    | -   |
| CLB_LOGIC_CONFIG_REGS  | CLB3_LOGICCFG_BASE         | 0x7012_2000  | YES              | YES  | YES  | YES  | YES    | YES    | -   |
| CLB_LOGIC_CONTROL_REGS | CLB3_LOGICCTRL_BASE        | 0x7012_2200  | YES              | YES  | YES  | YES  | YES    | YES    | -   |
| CLB_DATA_EXCHANGE_REGS | CLB3_DATAEXCH_BASE         | 0x7012_2300  | YES              | YES  | YES  | YES  | YES    | YES    | -   |
| CLB_LOGIC_CONFIG_REGS  | CLB4_LOGICCFG_BASE         | 0x7012_3000  | YES              | YES  | YES  | YES  | YES    | YES    | -   |
| CLB_LOGIC_CONTROL_REGS | CLB4_LOGICCTRL_BASE        | 0x7012_3200  | YES              | YES  | YES  | YES  | YES    | YES    | -   |
| CLB_DATA_EXCHANGE_REGS | CLB4_DATAEXCH_BASE         | 0x7012_3300  | YES              | YES  | YES  | YES  | YES    | YES    | -   |
| CLB_LOGIC_CONFIG_REGS  | CLB5_LOGICCFG_BASE         | 0x7012_4000  | YES              | YES  | YES  | YES  | YES    | YES    | -   |
| CLB_LOGIC_CONTROL_REGS | CLB5_LOGICCTRL_BASE        | 0x7012_4200  | YES              | YES  | YES  | YES  | YES    | YES    | -   |
| CLB_DATA_EXCHANGE_REGS | CLB5_DATAEXCH_BASE         | 0x7012_4300  | YES              | YES  | YES  | YES  | YES    | YES    | -   |
| CLB_LOGIC_CONFIG_REGS  | CLB6_LOGICCFG_BASE         | 0x7012_5000  | YES              | YES  | YES  | YES  | YES    | YES    | -   |
| CLB_LOGIC_CONTROL_REGS | CLB6_LOGICCTRL_BASE        | 0x7012_5200  | YES              | YES  | YES  | YES  | YES    | YES    | -   |
| CLB_DATA_EXCHANGE_REGS | CLB6_DATAEXCH_BASE         | 0x7012_5300  | YES              | YES  | YES  | YES  | YES    | YES    | -   |
| PMBUS_REGS             | PMBUSA_BASE                | 0x7014_8000  | YES              | YES  | YES  | YES  | YES    | YES    | -   |
| I2C_REGS               | I2CA_BASE                  | 0x7015_0000  | YES              | YES  | YES  | YES  | YES    | YES    | -   |
| I2C_REGS               | I2CB_BASE                  | 0x7015_1000  | YES              | YES  | YES  | YES  | YES    | YES    | -   |
| SPI_REGS               | SPIA_BASE                  | 0x7015_8000  | YES              | YES  | YES  | YES  | YES    | YES    | -   |
| SPI_REGS               | SPIB_BASE                  | 0x7015_9000  | YES              | YES  | YES  | YES  | YES    | YES    | -   |
| SPI_REGS               | SPIC_BASE                  | 0x7015_A000  | YES              | YES  | YES  | YES  | YES    | YES    | -   |
| SPI_REGS               | SPID_BASE                  | 0x7015_B000  | YES              | YES  | YES  | YES  | YES    | YES    | -   |
| SPI_REGS               | SPIE_BASE                  | 0x7015_C000  | YES              | YES  | YES  | YES  | YES    | YES    | -   |
| FSI_TX_REGS            | FSITXA_BASE                | 0x7018_0000  | YES              | YES  | YES  | YES  | YES    | YES    | -   |
| FSI_TX_REGS            | FSITXB_BASE                | 0x7018_1000  | YES              | YES  | YES  | YES  | YES    | YES    | -   |
| FSI_TX_REGS            | FSITXC_BASE                | 0x7018_2000  | YES              | YES  | YES  | YES  | YES    | YES    | -   |
| FSI_TX_REGS            | FSITXD_BASE                | 0x7018_3000  | YES              | YES  | YES  | YES  | YES    | YES    | -   |
| FSI_RX_REGS            | FSIRXA_BASE                | 0x7018_8000  | YES              | YES  | YES  | YES  | YES    | YES    | -   |
| FSI_RX_REGS            | FSIRXB_BASE                | 0x7018_9000  | YES              | YES  | YES  | YES  | YES    | YES    | -   |

**Table 7-28. Peripheral Registers Memory Map (continued)**

| Structure                        | DriverLib Name          | Base Address | Frame Applicable | CPU1 | CPU2 | CPU3 | RTDMA1 | RTDMA2 | HSM |
|----------------------------------|-------------------------|--------------|------------------|------|------|------|--------|--------|-----|
| FSI_RX_REGS                      | FSIRXC_BASE             | 0x7018_A000  | YES              | YES  | YES  | YES  | YES    | YES    | -   |
| FSI_RX_REGS                      | FSIRXD_BASE             | 0x7018_B000  | YES              | YES  | YES  | YES  | YES    | YES    | -   |
| EPG_REGS                         | EPG_BASE                | 0x701C_0000  | YES              | YES  | YES  | YES  | YES    | YES    | -   |
| EPG_MUX_REGS                     | EPGMUX_BASE             | 0x701C_0200  | YES              | YES  | YES  | YES  | YES    | YES    | -   |
| <b>soc_to_hsm_bridge</b>         |                         |              |                  |      |      |      |        |        |     |
| HSM_DTHE_REGS                    | DTHE_BASE               | 0x3028_0000  | -                | YES  | YES  | YES  | YES    | YES    | -   |
| HSM_DTHE_CRC_S_REGS              | CRCS_BASE               | 0x3028_1000  | -                | YES  | YES  | YES  | YES    | YES    | -   |
| HSM_DTHE_CRC_P_REGS              | CRCP_BASE               | 0x3028_2000  | -                | YES  | YES  | YES  | YES    | YES    | -   |
| HSM_SHA_S_REGS                   | SHAS_BASE               | 0x3028_4000  | -                | YES  | YES  | YES  | YES    | YES    | -   |
| HSM_SHA_P_REGS                   | SHAP_BASE               | 0x3028_5000  | -                | YES  | YES  | YES  | YES    | YES    | -   |
| HSM_AES_S_REGS                   | AESS_BASE               | 0x3028_6000  | -                | YES  | YES  | YES  | YES    | YES    | -   |
| HSM_AES_P_REGS                   | AESP_BASE               | 0x3028_7000  | -                | YES  | YES  | YES  | YES    | YES    | -   |
| HSM_SM4_REGS                     | SM4_BASE                | 0x3028_8000  | -                | YES  | YES  | YES  | YES    | YES    | -   |
| HSM_SM3_REGS                     | SM3_BASE                | 0x3028_9000  | -                | YES  | YES  | YES  | YES    | YES    | -   |
| HSM_TRNG_REGS                    | TRNG_BASE               | 0x3028_A000  | -                | YES  | YES  | YES  | YES    | YES    | -   |
| HSM_PKE_REGS                     | PKE_BASE                | 0x3029_0000  | -                | YES  | YES  | YES  | YES    | YES    | -   |
| <b>vbusp_prog</b>                |                         |              |                  |      |      |      |        |        |     |
| FLASH_CMD_REGS_FLC1              | FLASHCONTROLLER1_BASE   | 0x3010_0000  | -                | YES  | -    | YES  | -      | -      | YES |
| FLASH_CMD_REGS_FLC2              | FLASHCONTROLLER2_BASE   | 0x3011_0000  | -                | YES  | -    | YES  | -      | -      | YES |
| HSM_ERROR_AGGREGATOR_CONFIG_REGS | HSMERRORAGGREGATOR_BASE | 0x3012_0000  | -                | -    | -    | -    | -      | -      | YES |
| <b>vbus32_config</b>             |                         |              |                  |      |      |      |        |        |     |
| DEV_CFG_REGS                     | DEVCFG_BASE             | 0x3018_0000  | -                | YES  | YES  | YES  | -      | -      | YES |
| ANALOG_SUBSYS_REGS               | ANALOGSUBSYS_BASE       | 0x3018_2000  | -                | YES  | YES  | YES  | -      | -      | YES |
| GPIO_CTRL_REGS                   | GPIOCTRL_BASE           | 0x3019_0000  | -                | YES  | YES  | YES  | -      | -      | YES |
| IPC_COUNTER_REGS                 | IPCCOUNTER_BASE         | 0x301B_0000  | -                | YES  | YES  | YES  | -      | -      | YES |
| <b>c29bus</b>                    |                         |              |                  |      |      |      |        |        |     |
| ADC_RESULT_REGS                  | ADCARESULT_BASE         | 0x303C_0000  | -                | YES  | YES  | YES  | YES    | YES    | -   |
| ADC_RESULT_REGS                  | ADCBRESULT_BASE         | 0x303C_1000  | -                | YES  | YES  | YES  | YES    | YES    | -   |
| ADC_RESULT_REGS                  | ADCCRESULT_BASE         | 0x303C_2000  | -                | YES  | YES  | YES  | YES    | YES    | -   |
| ADC_RESULT_REGS                  | ADCDRESULT_BASE         | 0x303C_3000  | -                | YES  | YES  | YES  | YES    | YES    | -   |
| ADC_RESULT_REGS                  | ADCERESULT_BASE         | 0x303C_4000  | -                | YES  | YES  | YES  | YES    | YES    | -   |
| EMIF_REGS                        | EMIF1_BASE              | 0x3080_0000  | -                | YES  | YES  | YES  | -      | -      | -   |
| <b>vbusp_config</b>              |                         |              |                  |      |      |      |        |        |     |
| RTDMA_REGS                       | RTDMA1_BASE             | 0x301C_0000  | -                | YES  | YES  | YES  | -      | -      | YES |

**Table 7-28. Peripheral Registers Memory Map (continued)**

| Structure           | DriverLib Name       | Base Address | Frame Applicable | CPU1 | CPU2 | CPU3 | RTDMA1 | RTDMA2 | HSM |
|---------------------|----------------------|--------------|------------------|------|------|------|--------|--------|-----|
| RTDMA_DIAG_REGS     | RTDMA1_DIAG_BASE     | 0x301C_0800  | -                | YES  | YES  | YES  | -      | -      | YES |
| RTDMA_SELFTEST_REGS | RTDMA1_SELFTEST_BASE | 0x301C_0C00  | -                | YES  | YES  | YES  | -      | -      | YES |
| RTDMA_MPU_REGS      | RTDMA1_MPU_BASE      | 0x301C_1000  | -                | YES  | YES  | YES  | -      | -      | YES |
| RTDMA_REGS          | RTDMA2_BASE          | 0x301C_8000  | -                | YES  | YES  | YES  | -      | -      | YES |
| RTDMA_DIAG_REGS     | RTDMA2_DIAG_BASE     | 0x301C_8800  | -                | YES  | YES  | YES  | -      | -      | YES |
| RTDMA_SELFTEST_REGS | RTDMA2_SELFTEST_BASE | 0x301C_8C00  | -                | YES  | YES  | YES  | -      | -      | YES |
| RTDMA_MPU_REGS      | RTDMA2_MPU_BASE      | 0x301C_9000  | -                | YES  | YES  | YES  | -      | -      | YES |
| FRI_CTRL_REGS       | FRI1_BASE            | 0x301D_0000  | -                | YES  | YES  | YES  | -      | -      | YES |
| MEMSS_L_CONFIG_REGS | MEMSSLCFG_BASE       | 0x301D_8000  | -                | YES  | YES  | YES  | -      | -      | YES |
| MEMSS_C_CONFIG_REGS | MEMSSCCFG_BASE       | 0x301D_8400  | -                | YES  | YES  | YES  | -      | -      | YES |
| MEMSS_M_CONFIG_REGS | MEMSSMCFG_BASE       | 0x301D_8800  | -                | YES  | YES  | YES  | -      | -      | YES |
| MEMSS_MISCI_REGS    | MEMSSMISCI_BASE      | 0x301D_8E00  | -                | YES  | YES  | YES  | -      | -      | YES |
| SYNCRIDGEMPU_REGS   | SYNCRIDGEMPU_BASE    | 0x301E_0000  | -                | YES  | YES  | YES  | -      | -      | YES |
| INPUT_XBAR_REGS     | INPUTXBAR_BASE       | 0x301E_8000  | -                | YES  | YES  | YES  | -      | -      | YES |
| EPWM_XBAR_REGS      | EPWMXBAR_BASE        | 0x301E_9000  | -                | YES  | YES  | YES  | -      | -      | YES |
| CLB_XBAR_REGS       | CLBXBAR_BASE         | 0x301E_A000  | -                | YES  | YES  | YES  | -      | -      | YES |
| OUTPUTXBAR_REGS     | OUTPUTXBAR_BASE      | 0x301E_B000  | -                | YES  | YES  | YES  | -      | -      | YES |
| MDL_XBAR_REGS       | MDLXBAR_BASE         | 0x301E_C000  | -                | YES  | YES  | YES  | -      | -      | YES |
| ICL_XBAR_REGS       | ICLXBAR_BASE         | 0x301E_D000  | -                | YES  | YES  | YES  | -      | -      | YES |
| LCM_REGS            | LCM_DMA_BASE         | 0x301F_4000  | -                | YES  | YES  | YES  | -      | -      | YES |
| <b>vbusp_frame0</b> |                      |              |                  |      |      |      |        |        |     |
| RTDMA_CH_REGS       | RTDMA1CH1_BASE       | 0x6000_0000  | YES              | YES  | YES  | YES  | YES    | YES    | -   |
| RTDMA_CH_REGS       | RTDMA1CH2_BASE       | 0x6000_1000  | YES              | YES  | YES  | YES  | YES    | YES    | -   |
| RTDMA_CH_REGS       | RTDMA1CH3_BASE       | 0x6000_2000  | YES              | YES  | YES  | YES  | YES    | YES    | -   |
| RTDMA_CH_REGS       | RTDMA1CH4_BASE       | 0x6000_3000  | YES              | YES  | YES  | YES  | YES    | YES    | -   |
| RTDMA_CH_REGS       | RTDMA1CH5_BASE       | 0x6000_4000  | YES              | YES  | YES  | YES  | YES    | YES    | -   |
| RTDMA_CH_REGS       | RTDMA1CH6_BASE       | 0x6000_5000  | YES              | YES  | YES  | YES  | YES    | YES    | -   |
| RTDMA_CH_REGS       | RTDMA1CH7_BASE       | 0x6000_6000  | YES              | YES  | YES  | YES  | YES    | YES    | -   |
| RTDMA_CH_REGS       | RTDMA1CH8_BASE       | 0x6000_7000  | YES              | YES  | YES  | YES  | YES    | YES    | -   |
| RTDMA_CH_REGS       | RTDMA1CH9_BASE       | 0x6000_8000  | YES              | YES  | YES  | YES  | YES    | YES    | -   |
| RTDMA_CH_REGS       | RTDMA1CH10_BASE      | 0x6000_9000  | YES              | YES  | YES  | YES  | YES    | YES    | -   |
| RTDMA_CH_REGS       | RTDMA2CH1_BASE       | 0x6001_0000  | YES              | YES  | YES  | YES  | YES    | YES    | -   |
| RTDMA_CH_REGS       | RTDMA2CH2_BASE       | 0x6001_1000  | YES              | YES  | YES  | YES  | YES    | YES    | -   |
| RTDMA_CH_REGS       | RTDMA2CH3_BASE       | 0x6001_2000  | YES              | YES  | YES  | YES  | YES    | YES    | -   |
| RTDMA_CH_REGS       | RTDMA2CH4_BASE       | 0x6001_3000  | YES              | YES  | YES  | YES  | YES    | YES    | -   |

**Table 7-28. Peripheral Registers Memory Map (continued)**

| Structure       | DriverLib Name   | Base Address | Frame Applicable | CPU1 | CPU2 | CPU3 | RTDMA1 | RTDMA2 | HSM |
|-----------------|------------------|--------------|------------------|------|------|------|--------|--------|-----|
| RTDMA_CH_REGS   | RTDMA2CH5_BASE   | 0x6001_4000  | YES              | YES  | YES  | YES  | YES    | YES    | -   |
| RTDMA_CH_REGS   | RTDMA2CH6_BASE   | 0x6001_5000  | YES              | YES  | YES  | YES  | YES    | YES    | -   |
| RTDMA_CH_REGS   | RTDMA2CH7_BASE   | 0x6001_6000  | YES              | YES  | YES  | YES  | YES    | YES    | -   |
| RTDMA_CH_REGS   | RTDMA2CH8_BASE   | 0x6001_7000  | YES              | YES  | YES  | YES  | YES    | YES    | -   |
| RTDMA_CH_REGS   | RTDMA2CH9_BASE   | 0x6001_8000  | YES              | YES  | YES  | YES  | YES    | YES    | -   |
| RTDMA_CH_REGS   | RTDMA2CH10_BASE  | 0x6001_9000  | YES              | YES  | YES  | YES  | YES    | YES    | -   |
| MCANSS_REGS     | MCANASS_BASE     | 0x6002_4000  | YES              | YES  | YES  | YES  | YES    | YES    | -   |
| MCAN_REGS       | MCANA_BASE       | 0x6002_4600  | YES              | YES  | YES  | YES  | YES    | YES    | -   |
| MCAN_ERROR_REGS | MCANA_ERROR_BASE | 0x6002_4800  | YES              | YES  | YES  | YES  | YES    | YES    | -   |
| MCANSS_REGS     | MCANBSS_BASE     | 0x6002_C000  | YES              | YES  | YES  | YES  | YES    | YES    | -   |
| MCAN_REGS       | MCANB_BASE       | 0x6002_C600  | YES              | YES  | YES  | YES  | YES    | YES    | -   |
| MCAN_ERROR_REGS | MCANB_ERROR_BASE | 0x6002_C800  | YES              | YES  | YES  | YES  | YES    | YES    | -   |
| MCANSS_REGS     | MCANCSS_BASE     | 0x6003_4000  | YES              | YES  | YES  | YES  | YES    | YES    | -   |
| MCAN_REGS       | MCANC_BASE       | 0x6003_4600  | YES              | YES  | YES  | YES  | YES    | YES    | -   |
| MCAN_ERROR_REGS | MCANC_ERROR_BASE | 0x6003_4800  | YES              | YES  | YES  | YES  | YES    | YES    | -   |
| MCANSS_REGS     | MCANDSS_BASE     | 0x6003_C000  | YES              | YES  | YES  | YES  | YES    | YES    | -   |
| MCAN_REGS       | MCAND_BASE       | 0x6003_C600  | YES              | YES  | YES  | YES  | YES    | YES    | -   |
| MCAN_ERROR_REGS | MCAND_ERROR_BASE | 0x6003_C800  | YES              | YES  | YES  | YES  | YES    | YES    | -   |
| MCANSS_REGS     | MCANESS_BASE     | 0x6004_4000  | YES              | YES  | YES  | YES  | YES    | YES    | -   |
| MCAN_REGS       | MCANE_BASE       | 0x6004_4600  | YES              | YES  | YES  | YES  | YES    | YES    | -   |
| MCAN_ERROR_REGS | MCANE_ERROR_BASE | 0x6004_4800  | YES              | YES  | YES  | YES  | YES    | YES    | -   |
| MCANSS_REGS     | MCANFSS_BASE     | 0x6004_C000  | YES              | YES  | YES  | YES  | YES    | YES    | -   |
| MCAN_REGS       | MCANF_BASE       | 0x6004_C600  | YES              | YES  | YES  | YES  | YES    | YES    | -   |
| MCAN_ERROR_REGS | MCANF_ERROR_BASE | 0x6004_C800  | YES              | YES  | YES  | YES  | YES    | YES    | -   |
| LIN_REGS        | LINA_BASE        | 0x6006_0000  | YES              | YES  | YES  | YES  | YES    | YES    | -   |
| LIN_REGS        | LINB_BASE        | 0x6006_1000  | YES              | YES  | YES  | YES  | YES    | YES    | -   |
| SENT_CFG        | SENT1CSENT_BASE  | 0x6006_8000  | YES              | YES  | YES  | YES  | YES    | YES    | -   |
| SENT_MEM        | SENT1MEM_BASE    | 0x6006_8400  | YES              | YES  | YES  | YES  | YES    | YES    | -   |
| SENT_MTPG       | SENT1MTPG_BASE   | 0x6006_8800  | YES              | YES  | YES  | YES  | YES    | YES    | -   |
| SENT_CFG        | SENT2CSENT_BASE  | 0x6006_9000  | YES              | YES  | YES  | YES  | YES    | YES    | -   |
| SENT_MEM        | SENT2MEM_BASE    | 0x6006_9400  | YES              | YES  | YES  | YES  | YES    | YES    | -   |
| SENT_MTPG       | SENT2MTPG_BASE   | 0x6006_9800  | YES              | YES  | YES  | YES  | YES    | YES    | -   |
| SENT_CFG        | SENT3CSENT_BASE  | 0x6006_A000  | YES              | YES  | YES  | YES  | YES    | YES    | -   |
| SENT_MEM        | SENT3MEM_BASE    | 0x6006_A400  | YES              | YES  | YES  | YES  | YES    | YES    | -   |
| SENT_MTPG       | SENT3MTPG_BASE   | 0x6006_A800  | YES              | YES  | YES  | YES  | YES    | YES    | -   |

**Table 7-28. Peripheral Registers Memory Map (continued)**

| Structure                    | DriverLib Name               | Base Address | Frame Applicable | CPU1 | CPU2 | CPU3 | RTDMA1 | RTDMA2 | HSM |
|------------------------------|------------------------------|--------------|------------------|------|------|------|--------|--------|-----|
| SENT_CFG                     | SENT4CSENT_BASE              | 0x6006_B000  | YES              | YES  | YES  | YES  | YES    | YES    | -   |
| SENT_MEM                     | SENT4MEM_BASE                | 0x6006_B400  | YES              | YES  | YES  | YES  | YES    | YES    | -   |
| SENT_MTPG                    | SENT4MTPG_BASE               | 0x6006_B800  | YES              | YES  | YES  | YES  | YES    | YES    | -   |
| SENT_CFG                     | SENT5CSENT_BASE              | 0x6006_C000  | YES              | YES  | YES  | YES  | YES    | YES    | -   |
| SENT_MEM                     | SENT5MEM_BASE                | 0x6006_C400  | YES              | YES  | YES  | YES  | YES    | YES    | -   |
| SENT_MTPG                    | SENT5MTPG_BASE               | 0x6006_C800  | YES              | YES  | YES  | YES  | YES    | YES    | -   |
| SENT_CFG                     | SENT6CSENT_BASE              | 0x6006_D000  | YES              | YES  | YES  | YES  | YES    | YES    | -   |
| SENT_MEM                     | SENT6MEM_BASE                | 0x6006_D400  | YES              | YES  | YES  | YES  | YES    | YES    | -   |
| SENT_MTPG                    | SENT6MTPG_BASE               | 0x6006_D800  | YES              | YES  | YES  | YES  | YES    | YES    | -   |
| UART_REGS, UART_REGS_WRITE   | UARTA_BASE, UARTA_WRITE_BASE | 0x6007_0000  | YES              | YES  | YES  | YES  | YES    | YES    | -   |
| UART_REGS, UART_REGS_WRITE   | UARTB_BASE, UARTB_WRITE_BASE | 0x6007_2000  | YES              | YES  | YES  | YES  | YES    | YES    | -   |
| UART_REGS, UART_REGS_WRITE   | UARTC_BASE, UARTC_WRITE_BASE | 0x6007_4000  | YES              | YES  | YES  | YES  | YES    | YES    | -   |
| UART_REGS, UART_REGS_WRITE   | UARTD_BASE, UARTD_WRITE_BASE | 0x6007_6000  | YES              | YES  | YES  | YES  | YES    | YES    | -   |
| UART_REGS, UART_REGS_WRITE   | UARTE_BASE, UARTE_WRITE_BASE | 0x6007_8000  | YES              | YES  | YES  | YES  | YES    | YES    | -   |
| UART_REGS, UART_REGS_WRITE   | UARTF_BASE, UARTF_WRITE_BASE | 0x6007_A000  | YES              | YES  | YES  | YES  | YES    | YES    | -   |
| DCC_REGS                     | DCC1_BASE                    | 0x6008_0000  | YES              | YES  | YES  | YES  | YES    | YES    | -   |
| DCC_REGS                     | DCC2_BASE                    | 0x6008_1000  | YES              | YES  | YES  | YES  | YES    | YES    | -   |
| DCC_REGS                     | DCC3_BASE                    | 0x6008_2000  | YES              | YES  | YES  | YES  | YES    | YES    | -   |
| ERROR_AGGREGATOR_CONFIG_REGS | ERRORAGGREGATOR_BASE         | 0x6008_C000  | YES              | YES  | YES  | YES  | YES    | YES    | -   |
| ESM_CPU_REGS                 | ESMCPU1_BASE                 | 0x6009_0000  | YES              | YES  | YES  | YES  | YES    | YES    | -   |
| ESM_CPU_REGS                 | ESMCPU2_BASE                 | 0x6009_1000  | YES              | YES  | YES  | YES  | YES    | YES    | -   |
| ESM_CPU_REGS                 | ESMCPU3_BASE                 | 0x6009_2000  | YES              | YES  | YES  | YES  | YES    | YES    | -   |
| ESM_SYSTEM_REGS              | ESMSYSTEM_BASE               | 0x6009_F000  | YES              | YES  | YES  | YES  | YES    | YES    | -   |
| ESM_SAFETYAGG_REGS           | ESMSAFETYAGG_BASE            | 0x600A_0000  | YES              | YES  | YES  | YES  | YES    | YES    | -   |
| WADI_CONFIG_REGS             | WADI1BLK1CONFIG_BASE         | 0x600B_0000  | YES              | YES  | YES  | YES  | YES    | YES    | -   |
| WADI_CONFIG_REGS             | WADI1BLK2CONFIG_BASE         | 0x600B_0100  | YES              | YES  | YES  | YES  | YES    | YES    | -   |
| WADI_CONFIG_REGS             | WADI1BLK3CONFIG_BASE         | 0x600B_0200  | YES              | YES  | YES  | YES  | YES    | YES    | -   |
| WADI_CONFIG_REGS             | WADI1BLK4CONFIG_BASE         | 0x600B_0300  | YES              | YES  | YES  | YES  | YES    | YES    | -   |
| WADI_OPER_SSS_REGS           | WADI1OPERSSS_BASE            | 0x600B_1000  | YES              | YES  | YES  | YES  | YES    | YES    | -   |
| WADI_CONFIG_REGS             | WADI2BLK1CONFIG_BASE         | 0x600B_2000  | YES              | YES  | YES  | YES  | YES    | YES    | -   |
| WADI_CONFIG_REGS             | WADI2BLK2CONFIG_BASE         | 0x600B_2100  | YES              | YES  | YES  | YES  | YES    | YES    | -   |
| WADI_CONFIG_REGS             | WADI2BLK3CONFIG_BASE         | 0x600B_2200  | YES              | YES  | YES  | YES  | YES    | YES    | -   |
| WADI_CONFIG_REGS             | WADI2BLK4CONFIG_BASE         | 0x600B_2300  | YES              | YES  | YES  | YES  | YES    | YES    | -   |
| WADI_OPER_SSS_REGS           | WADI2OPERSSS_BASE            | 0x600B_3000  | YES              | YES  | YES  | YES  | YES    | YES    | -   |

**Table 7-28. Peripheral Registers Memory Map (continued)**

| Structure                                             | DriverLib Name          | Base Address | Frame Applicable | CPU1 | CPU2 | CPU3 | RTDMA1 | RTDMA2 | HSM |
|-------------------------------------------------------|-------------------------|--------------|------------------|------|------|------|--------|--------|-----|
| OUTPUTXBAR_FLAG_REGS                                  | OUTPUTXBAR1_FLAGS_BASE  | 0x600C_0000  | YES              | YES  | YES  | YES  | YES    | YES    | -   |
| OUTPUTXBAR_FLAG_REGS                                  | OUTPUTXBAR2_FLAGS_BASE  | 0x600C_1000  | YES              | YES  | YES  | YES  | YES    | YES    | -   |
| OUTPUTXBAR_FLAG_REGS                                  | OUTPUTXBAR3_FLAGS_BASE  | 0x600C_2000  | YES              | YES  | YES  | YES  | YES    | YES    | -   |
| OUTPUTXBAR_FLAG_REGS                                  | OUTPUTXBAR4_FLAGS_BASE  | 0x600C_3000  | YES              | YES  | YES  | YES  | YES    | YES    | -   |
| OUTPUTXBAR_FLAG_REGS                                  | OUTPUTXBAR5_FLAGS_BASE  | 0x600C_4000  | YES              | YES  | YES  | YES  | YES    | YES    | -   |
| OUTPUTXBAR_FLAG_REGS                                  | OUTPUTXBAR6_FLAGS_BASE  | 0x600C_5000  | YES              | YES  | YES  | YES  | YES    | YES    | -   |
| OUTPUTXBAR_FLAG_REGS                                  | OUTPUTXBAR7_FLAGS_BASE  | 0x600C_6000  | YES              | YES  | YES  | YES  | YES    | YES    | -   |
| OUTPUTXBAR_FLAG_REGS                                  | OUTPUTXBAR8_FLAGS_BASE  | 0x600C_7000  | YES              | YES  | YES  | YES  | YES    | YES    | -   |
| OUTPUTXBAR_FLAG_REGS                                  | OUTPUTXBAR9_FLAGS_BASE  | 0x600C_8000  | YES              | YES  | YES  | YES  | YES    | YES    | -   |
| OUTPUTXBAR_FLAG_REGS                                  | OUTPUTXBAR10_FLAGS_BASE | 0x600C_9000  | YES              | YES  | YES  | YES  | YES    | YES    | -   |
| OUTPUTXBAR_FLAG_REGS                                  | OUTPUTXBAR11_FLAGS_BASE | 0x600C_A000  | YES              | YES  | YES  | YES  | YES    | YES    | -   |
| OUTPUTXBAR_FLAG_REGS                                  | OUTPUTXBAR12_FLAGS_BASE | 0x600C_B000  | YES              | YES  | YES  | YES  | YES    | YES    | -   |
| OUTPUTXBAR_FLAG_REGS                                  | OUTPUTXBAR13_FLAGS_BASE | 0x600C_C000  | YES              | YES  | YES  | YES  | YES    | YES    | -   |
| OUTPUTXBAR_FLAG_REGS                                  | OUTPUTXBAR14_FLAGS_BASE | 0x600C_D000  | YES              | YES  | YES  | YES  | YES    | YES    | -   |
| OUTPUTXBAR_FLAG_REGS                                  | OUTPUTXBAR15_FLAGS_BASE | 0x600C_E000  | YES              | YES  | YES  | YES  | YES    | YES    | -   |
| OUTPUTXBAR_FLAG_REGS                                  | OUTPUTXBAR16_FLAGS_BASE | 0x600C_F000  | YES              | YES  | YES  | YES  | YES    | YES    | -   |
| XBAR_REGS                                             | INPUTXBAR_FLAGS_BASE    | 0x600E_0000  | YES              | YES  | YES  | YES  | YES    | YES    | -   |
| DLT_FIFO_REGS                                         | CPU1DLTFIFO_BASE        | 0x600F_8000  | YES              | YES  | YES  | YES  | YES    | YES    | -   |
| DLT_FIFO_REGS                                         | CPU2DLTFIFO_BASE        | 0x600F_A000  | YES              | YES  | YES  | YES  | YES    | YES    | -   |
| DLT_FIFO_REGS                                         | CPU3DLTFIFO_BASE        | 0x600F_C000  | YES              | YES  | YES  | YES  | YES    | YES    | -   |
| <b>vbusp_ssu</b>                                      |                         |              |                  |      |      |      |        |        |     |
| SSU_GEN_REGS                                          | SSUGEN_BASE             | 0x3008_0000  | -                | YES  | YES  | YES  | -      | -      | YES |
| SSU_CPU1_CFG_REGS                                     | SSUCPU1CFG_BASE         | 0x3008_1000  | -                | YES  | -    | -    | -      | -      | -   |
| SSU_CPU2_CFG_REGS                                     | SSUCPU2CFG_BASE         | 0x3008_2000  | -                | YES  | YES  | -    | -      | -      | -   |
| SSU_CPU3_CFG_REGS                                     | SSUCPU3CFG_BASE         | 0x3008_3000  | -                | YES  | -    | YES  | -      | -      | -   |
| SSU_CPU1_AP_REGS                                      | SSUCPU1AP_BASE          | 0x3008_7000  | -                | YES  | -    | -    | -      | -      | -   |
| SSU_CPU2_AP_REGS                                      | SSUCPU2AP_BASE          | 0x3008_8000  | -                | YES  | YES  | -    | -      | -      | -   |
| SSU_CPU3_AP_REGS                                      | SSUCPU3AP_BASE          | 0x3008_9000  | -                | YES  | -    | YES  | -      | -      | -   |
| <b>vbus32_ap_cpu1, vbus32_ap_cpu2, vbus32_ap_cpu3</b> |                         |              |                  |      |      |      |        |        |     |
| CPU_SYS_REGS                                          | CPUSYS_BASE             | 0x3020_0000  | -                | YES  | YES  | YES  | -      | -      | -   |
| CPU_PER_CFG_REGS                                      | CPUPERCFG_BASE          | 0x3020_8000  | -                | YES  | YES  | YES  | -      | -      | -   |
| WD_REGS                                               | WD_BASE                 | 0x3020_8C00  | -                | YES  | YES  | YES  | -      | -      | -   |
| CPUTIMER_REGS                                         | CPUTIMER0_BASE          | 0x3021_8000  | -                | YES  | YES  | YES  | -      | -      | -   |
| CPUTIMER_REGS                                         | CPUTIMER1_BASE          | 0x3021_9000  | -                | YES  | YES  | YES  | -      | -      | -   |
| CPUTIMER_REGS                                         | CPUTIMER2_BASE          | 0x3021_A000  | -                | YES  | YES  | YES  | -      | -      | -   |

**Table 7-28. Peripheral Registers Memory Map (continued)**

| Structure                                 | DriverLib Name          | Base Address | Frame Applicable | CPU1 | CPU2 | CPU3 | RTDMA1 | RTDMA2 | HSM |
|-------------------------------------------|-------------------------|--------------|------------------|------|------|------|--------|--------|-----|
| CPU1_IPC_SEND_REGS                        | CPU1IPCSSEND_BASE       | 0x3022_0000  | -                | YES  | YES  | YES  | -      | -      | -   |
| CPU2_IPC_SEND_REGS                        | CPU2IPCSSEND_BASE       | 0x3022_8000  | -                | YES  | YES  | YES  | -      | -      | -   |
| CPU3_IPC_SEND_REGS                        | CPU3IPCSSEND_BASE       | 0x3023_0000  | -                | YES  | YES  | YES  | -      | -      | -   |
| CPU1_IPC_RCV_REGS                         | CPU1IPCRCV_BASE         | 0x3024_0000  | -                | YES  | YES  | YES  | -      | -      | -   |
| CPU2_IPC_RCV_REGS                         | CPU2IPCRCV_BASE         | 0x3024_8000  | -                | YES  | YES  | YES  | -      | -      | -   |
| CPU3_IPC_RCV_REGS                         | CPU3IPCRCV_BASE         | 0x3025_0000  | -                | YES  | YES  | YES  | -      | -      | -   |
| GPIO_DATA_REGS                            | GPIODATA_BASE           | 0x3026_8000  | -                | YES  | YES  | YES  | -      | -      | -   |
| GPIO_DATA_READ_REGS                       | GPIODATAREAD_BASE       | 0x3026_9000  | -                | YES  | YES  | YES  | -      | -      | -   |
| XINT_REGS                                 | XINT_BASE               | 0x3027_0000  | -                | YES  | YES  | YES  | -      | -      | -   |
| <b>vbusp_cpu1, vbusp_cpu2, vbusp_cpu3</b> |                         |              |                  |      |      |      |        |        |     |
| C29_RTINT_STACK                           | C29CPURTINTSTACK_BASE   | 0x3000_8000  | -                | YES  | YES  | YES  | -      | -      | -   |
| C29_SECCALL_STACK                         | C29CPUSECCALLSTACK_BASE | 0x3000_C000  | -                | YES  | YES  | YES  | -      | -      | -   |
| C29_SECURE_REGS                           | C29CPUSECURE_BASE       | 0x3000_D000  | -                | YES  | YES  | YES  | -      | -      | -   |
| C29_DIAG_REGS                             | C29CPUDIAG_BASE         | 0x3000_E000  | -                | YES  | YES  | YES  | -      | -      | -   |
| C29_SELFTEST_REGS                         | C29CPUSELFTEST_BASE     | 0x3000_F000  | -                | YES  | YES  | YES  | -      | -      | -   |
| DLT_CORE_REGS                             | CPUDLT_BASE             | 0x3001_0000  | -                | YES  | YES  | YES  | -      | -      | -   |
| PIPE_REGS                                 | PIPE_BASE               | 0x3002_0000  | -                | YES  | YES  | YES  | -      | -      | -   |
| ERAD_REGS                                 | ERAD_BASE               | 0x3003_0000  | -                | YES  | YES  | YES  | -      | -      | -   |

## 7.6 Identification

Table 7-29 lists the Device Identification Registers. Additional information on these device identification registers can be found in the *F29H85x and F29P58x Real-Time Microcontrollers Technical Reference Manual*. See the register descriptions of PARTIDH and PARTIDL for identification of production status and other device information.

**Table 7-29. Device Identification Registers**

| NAME       | ADDRESS     | SIZE (x8) | DESCRIPTION                       |                                                                            |
|------------|-------------|-----------|-----------------------------------|----------------------------------------------------------------------------|
| PARTIDH    | 0x3018 0024 | 4         | Device part identification number |                                                                            |
|            |             |           | F29H850TU9                        | 0x0DFF 0C00                                                                |
|            |             |           | F29H859TU8                        | 0x0DDE 0C00                                                                |
|            |             |           | F29H859TM8                        | 0x0DCC 0C00                                                                |
|            |             |           | F29H850DU7                        | 0x0DEB 0C00                                                                |
|            |             |           | F29H850DM7                        | 0x0DE9 0C00                                                                |
|            |             |           | F29H859DU6                        | 0x0DCA 0C00                                                                |
|            |             |           | F29H850DM6                        | 0x0DC8 0C00                                                                |
|            |             |           | F29P589DU5                        | 0x0DBF 0C00                                                                |
|            |             |           | F29P589DM5                        | 0x0D9E 0C00                                                                |
|            |             |           | F29P580DM5                        | 0x0DBE 0C00                                                                |
|            |             |           | F29H850DM4                        | 0x0DE7 0C00                                                                |
|            |             |           | F29H850DM3                        | 0x0DE6 0C00                                                                |
|            |             |           | F29P329SM2                        | 0x0D4F 0C00                                                                |
|            |             |           | F29P329SM1                        | 0x0D48 0C00                                                                |
| F29P329SJ1 | 0x0D44 0C00 |           |                                   |                                                                            |
| REVID      | 0x3018 0028 | 4         | Silicon revision number           |                                                                            |
|            |             |           | Revision 0                        | 0x0000 0001                                                                |
|            |             |           | Revision A                        | Not applicable, see package symbolization figures for the device revision. |
|            |             |           | Revision B                        | 0x0000 0003                                                                |

## 7.7 Boot ROM

The purpose of this section is to explain the boot read-only memory (ROM) code functionality for the C29x CPU core's, including the boot procedure. This section also discusses the functions and features of the boot ROM code, and provides details about the ROM memory-map contents. On every reset, the device executes a boot sequence in the ROM depending on the reset type and boot configuration. This sequence initializes the device to run the application code. For the CPU, the boot ROM also contains peripheral bootloaders that can be used to load an application into RAM. These bootloaders can be disabled for safety or security purposes.

See [Table 7-30](#) for details on available boot features for the C29x CPU. Additionally, [Table 7-31](#) shows the sizes of the various ROMs on the device.

**Table 7-30. Boot System Overview**

| BOOT FEATURE         | CPU                                                                                       |
|----------------------|-------------------------------------------------------------------------------------------|
| Initial boot process | Device reset                                                                              |
| Boot mode selection  | GPIOs                                                                                     |
| Boot modes supported | Flash boot<br>RAM boot<br>Wait boot<br>Parallel IO<br>CAN<br>CAN-FD<br>I2C<br>SPI<br>UART |

**Table 7-31. ROM Memory**

| ROM           | SIZE  |
|---------------|-------|
| CPU1 boot ROM | 128KB |
| CPU2 boot ROM | 32KB  |
| CPU3 boot ROM | 32KB  |

### 7.7.1 Device Boot Sequence

Table 7-32 describes the general boot ROM procedure each time the CPU1 core is reset.

During boot, boot ROM code updates a boot status location in RAM that details the actions taken during this process. Refer to the *Boot Status Information* section in the *F29H85x and F29P58x Real-Time Microcontrollers Technical Reference Manual* for more details.

**Table 7-32. CPU1 Boot ROM Sequence**

| STEP | CPU1 ACTION                                                                                                                                                                                                       |
|------|-------------------------------------------------------------------------------------------------------------------------------------------------------------------------------------------------------------------|
| 1    | Flash Read Interface (FRI) wait state configuration                                                                                                                                                               |
| 2    | Enable Watchdog                                                                                                                                                                                                   |
| 3    | Zone0 full debug password configured from TI-OTP into SSU registers                                                                                                                                               |
| 4    | SOCID is configured from HSM and copied into M0 RAM                                                                                                                                                               |
| 5    | On PORESETn only, All CPU RAMs (LPAX,LDAX, CPAX and CDAx) are initialized                                                                                                                                         |
| 6    | Critical Trims (APLL, PMM, OSC, Flash) are loaded from TI-OTP and device configuration registers are programmed                                                                                                   |
| 7    | ESM configurations are performed for Group0 events                                                                                                                                                                |
| 8    | SIC (Safe Interconnect) is enabled                                                                                                                                                                                |
| 9    | UPP (User Protection Policy) revision from SECCFG is configured into SSU register                                                                                                                                 |
| 10   | Error status pin configuration input from SECCFG is configured                                                                                                                                                    |
| 11   | External crystal power-up if enabled in SECCFG                                                                                                                                                                    |
| 12   | Reading the Device Configurations from TI-OTP into DCx Registers                                                                                                                                                  |
| 13   | Load non-critical (ADC, DAC) trims                                                                                                                                                                                |
| 14   | SSU configurations based on SECCFG inputs which include:<br>1. SSU register self-test<br>2. SSU register configurations                                                                                           |
| 15   | Lock DCx (Device Configuration), PARTID, MCUCNF26 and PERxSYSCONFIG (Peripheral System Configuration) registers                                                                                                   |
| 16   | Wait for RAM initialization, done only on PORESETn                                                                                                                                                                |
| 17   | Clear PORRESETn and XRSn reset cause on PORESETn and only clear XRSn reset cause on XRSn                                                                                                                          |
| 18   | Pull-ups are enabled on unbonded IOs                                                                                                                                                                              |
| 19   | The boot mode GPIO pins are polled to determine the boot mode to run. Boot loader is executed based on boot mode/configurations. Refer to <a href="#">Section 7.7.4.2</a> for a flow chart of the boot sequences. |
| 20   | RAMOPEN for LINK1 which includes: LPA0-1 and LDA0-7                                                                                                                                                               |
| 21   | Lock and Commit LINK1 RAMOPEN by writing to SSU registers based on SECCFG inputs                                                                                                                                  |
| 22   | APR's (Access Protection Regions) are set from SECCFG configurations                                                                                                                                              |
| 23   | Disable watchdog for Link1 bootloaders execution                                                                                                                                                                  |
| 24   | Bootloader process under Link1 execution                                                                                                                                                                          |
| 25   | Clear Link1 RAMOPEN                                                                                                                                                                                               |
| 26   | Jump to C29 Application Link2                                                                                                                                                                                     |

## 7.7.2 Device Boot Modes

This section explains the default boot modes, as well as all the available custom boot modes supported on this device. The boot ROM uses the boot mode select, general purpose input/output (GPIO) pins to determine the boot mode configuration.

### 7.7.2.1 Default Boot Modes

Table 7-33 shows the boot mode options available for selection by the default boot mode select pins. Users have the option to program the device to customize the boot modes selectable in the boot-up table as well as the boot mode select pin GPIOs used. Default BMSP (Boot Mode Select Pin) used are GPIO72 (BMSP1) and GPIO84 (BMSP0).

**Table 7-33. Device Default Boot Modes**

| BOOT MODE   | GPIO72<br>(DEFAULT BOOT MODE SELECT PIN 1) | GPIO84<br>(DEFAULT BOOT MODE SELECT PIN 0) |
|-------------|--------------------------------------------|--------------------------------------------|
| Parallel IO | 0                                          | 0                                          |
| UART        | 0                                          | 1                                          |
| CAN         | 1                                          | 0                                          |
| Flash       | 1                                          | 1                                          |

Refer to [Section 7.7.3](#) for details of boot configurations.

Refer to the *Bootloaders* section in the ROM Code and Peripheral Booting chapter of the [F29H85x and F29P58x Real-Time Microcontrollers Technical Reference Manual](#) for details of the boot modes that use a peripheral boot loader.

Refer to [Section 7.7.5](#) for GPIOs used for selecting the boot modes.

#### Note

All the peripheral boot modes that are supported use the first instance of the peripheral module (SPIA, I2CA, CANA, and so forth). Whenever these boot modes are referred to in this section, such as SPI boot, the mode is actually referring to the first module instance, which means the SPI boot on the SPIA port. The same applies to the other peripheral boot modes.

### 7.7.2.2 Custom Boot Modes

Once the user programs a custom boot table in SECCFG, an entry in the custom table is used for booting. Users can customize the boot mode select pins in the end system design by programming the BOOTPIN\_CONFIG location in SECCFG. This allows customers to use 0, 1, 2, or 3 boot mode select pins as needed. You can also customize the boot definition table and indicate which location to boot from by programming the boot mode definition table in the BOOTDEF location of SECCFG. [Table 7-34](#) show the options for various boot modes.

#### Note

All peripheral boot modes supported in [Table 7-34](#) use the first instance of the peripheral modules (that is SPIA, I2CA, and so on).

**Table 7-34. CPU1 Boot Modes**

| BOOT MODE NUMBER | BOOT MODES |
|------------------|------------|
| 0                | Parallel   |
| 1                | UART       |
| 2                | CAN        |
| 3                | Flash      |
| 4                | Wait       |
| 5                | RAM        |
| 6                | SPI        |
| 7                | I2C        |
| 8                | CAN-FD     |

### 7.7.3 Device Boot Configurations

This section details what boot configurations are available and how to configure them. This device supports from zero boot mode select pins up to three boot mode select pins and from one configured boot mode up to eight configured boot modes.

To change and configure the device from the default settings to custom settings for your application, use the following process:

1. Determine all the various ways you want application to be able to boot. (For example: Primary boot option of Flash boot for your main application, secondary boot option of CAN boot for firmware updates, tertiary boot option of SPI boot for debugging, and so on.)
2. Based on the number of boot modes needed, determine how many boot mode select pins (BMSPs) are required to select between your selected boot modes. (For example: Two BMSPs are required to select between three boot mode options.)
3. Assign the required BMSPs to a physical GPIO pin. (For example, BMSP0 to GPIO10, BMSP1 to GPIO51, and BMSP2 left as default that is disabled.). Refer to [Section 7.7.3.1](#) for all the details on performing these configurations.
4. Assign the determined boot mode definitions to indexes in your custom boot table that correlate to the decoded value of the BMSPs. For example, BOOTDEF0 = Boot to Flash, BOOTDEF1 = CAN Boot, BOOTDEF2 = SPI Boot; all other BOOTDEFx remain as default/nothing). Refer to [Section 7.7.3.2](#) for all the details on setting up and configuring the custom boot mode table.

### 7.7.3.1 Configuring Boot Mode Pins

This section explains how the boot mode select pins are customized by the user, by programming the BOOTPIN\_CONFIG location (refer to Table 7-35), in SECCFG. The location is in BOOTPIN-CONFIG. When debugging, EMU\_BOOTPIN\_CONFIG register in SSU\_GEN\_REGS is the emulation equivalent of BOOTPIN\_CONFIG, and can be programmed to experiment with different boot modes without writing to SECCFG. The device can be programmed to use **zero**, **one**, **two**, or **three** boot mode select pins as needed.

BMSP configuration and boot definition table is either read from SECCFG or SSU registers based on debugger connection status as explained below:

- If the debugger is connected, then the emulation boot flow is followed, where the following SSU registers are used to determine GPIO to be used:
  - EMU\_BOOTPIN\_CONFIG
  - EMU\_BOOTDEF\_LOW
  - EMU\_BOOTDEF\_HIGH
- If the debugger is not connected, then the following SECCFG locations are used to determine the boot modes:
  - BOOTPIN\_CONFIG
  - BOOTDEF\_LOW
  - BOOTDEF\_HIGH

**Table 7-35. BOOTPIN-CONFIG Bit Fields**

| BIT   | NAME                           | DESCRIPTION                                                                                                                                                                                             |
|-------|--------------------------------|---------------------------------------------------------------------------------------------------------------------------------------------------------------------------------------------------------|
| 31:24 | Key                            | Write 0x5A to these 8-bits to tell the boot ROM code that the bits in this register are valid.                                                                                                          |
| 23:16 | Boot Mode Select Pin 2 (BMSP2) | Refer to BMSP0 description.                                                                                                                                                                             |
| 15:8  | Boot Mode Select Pin 1 (BMSP1) | Refer to BMSP0 description.                                                                                                                                                                             |
| 7:0   | Boot Mode Select Pin 0 (BMSP0) | Set to the GPIO pin to be used during boot (GPIO0 up to GPIO254).<br>0x0 = GPIO0<br>0x01 = GPIO1, and so on.<br>Writing 0xFF disables this BMSP and this pin is no longer used to select the boot mode. |

#### Note

GPIO that can be either digital and analog type pins, digital type inputs are possible on these pins provided the software writes to the GPIOHAMSEL register bits.

The following GPIOs that are not available on any package cannot be used as a boot mode select pin. If selected for a particular BMSP, the boot ROM automatically selects the factory default GPIOs for BMSP0 and BMSP1. Factory default for BMSP2 is 0xFF, which disables the BMSP.

**Table 7-36. Stand-alone Boot Mode Select Pin Decoding**

| BOOTPIN_CONFIG KEY | BMSP0        | BMSP1        | BMSP2                                                                                                             | REALIZED BOOT MODE                                                                                          |
|--------------------|--------------|--------------|-------------------------------------------------------------------------------------------------------------------|-------------------------------------------------------------------------------------------------------------|
| != 0x5A            | Don't Care   | Don't Care   | Don't Care                                                                                                        | Boot as defined by the factory default BMSPs.                                                               |
| = 0x5A             | 0xFF         | 0xFF         | 0xFF                                                                                                              | Boot as defined in the boot table for boot mode 0 (All BMSPs disabled).                                     |
|                    | Valid GPIO   | 0xFF         | 0xFF                                                                                                              | Boot as defined by the value of BMSP0 (BMSP1 and BMSP2 disabled).                                           |
|                    | 0xFF         | Valid GPIO   | 0xFF                                                                                                              | Boot as defined by the value of BMSP1 (BMSP0 and BMSP2 disabled).                                           |
|                    | 0xFF         | 0xFF         | Valid GPIO                                                                                                        | Boot as defined by the value of BMSP2 (BMSP0 and BMSP1 disabled).                                           |
|                    | Valid GPIO   | Valid GPIO   | 0xFF                                                                                                              | Boot as defined by the values of BMSP0 and BMSP1 (BMSP2 disabled).                                          |
|                    | Valid GPIO   | 0xFF         | Valid GPIO                                                                                                        | Boot as defined by the values of BMSP0 and BMSP2 (BMSP1 disabled).                                          |
|                    | 0xFF         | Valid GPIO   | Valid GPIO                                                                                                        | Boot as defined by the values of BMSP1 and BMSP2 (BMSP0 disabled).                                          |
|                    | Valid GPIO   | Valid GPIO   | Valid GPIO                                                                                                        | Boot as defined by the values of BMSP0, BMSP1, and BMSP2.                                                   |
|                    | Invalid GPIO | Valid GPIO   | Valid GPIO                                                                                                        | BMSP0 is reset to the factory default BMSP0 GPIO. Boot as defined by the values of BMSP0, BMSP1, and BMSP2. |
|                    | Valid GPIO   | Invalid GPIO | Valid GPIO                                                                                                        | BMSP1 is reset to the factory default BMSP1 GPIO. Boot as defined by the values of BMSP0, BMSP1, and BMSP2. |
| Valid GPIO         | Valid GPIO   | Invalid GPIO | BMSP2 is reset to the factory default state, which is disabled. Boot as defined by the values of BMSP0 and BMSP1. |                                                                                                             |

**Note**

When decoding the boot mode, BMSP0 is the least-significant bit and BMSP2 is the most-significant bit of the boot table index value. It is recommended when disabling BMSPs to start with disabling BMSP2. For example, in an instance when only using BMSP2 (BMSP1 and BMSP0 are disabled), then only the boot table indexes of 0 and 4 are selectable. In the instance when using only BMSP0, then the selectable boot table indexes are 0 and 1.

### 7.7.3.2 Configuring Boot Mode Table Options

This section explains how to configure the boot definition table, BOOTDEF, for the device and the associated boot options (refer to [Table 7-37](#)). The 64-bit location is located in SECCFG in the BOOTDEF\_LOW and BOOTDEF\_HIGH locations. When debugging, EMU\_BOOTDEF\_LOW and EMU\_BOOTDEF\_HIGH are the emulation equivalents of BOOTDEF\_LOW and BOOTDEF\_HIGH, and can be programmed to experiment with different boot mode options without writing to SECCFG.

The range of customization to the boot definition table depends on how many boot mode select pins (BMSP) are being used. For example, 0 BMSPs equals to 1 table entry, 1 BMSP equals to 2 table entries, 2 BMSPs equals to 4 table entries, and 3 BMSPs equals to 8 table entries.

**Table 7-37. BOOTDEF Bit Fields**

| BOOTDEF NAME | BYTE POSITION | NAME                    | DESCRIPTION                                                                                                                                                                                                                                   |
|--------------|---------------|-------------------------|-----------------------------------------------------------------------------------------------------------------------------------------------------------------------------------------------------------------------------------------------|
| BOOT_DEF0    | 7:0           | [3:0] BOOT_DEF0 Mode    | Set the boot mode number from <a href="#">Section 7.7.2.2</a> . Any unsupported boot mode causes the device to either go to wait boot (debugger connected) or boot to Flash (stand-alone).                                                    |
|              |               | [7:4] BOOT_DEF0 Options | Set alternate/additional boot options. This can include changing the GPIOs for a particular boot peripheral or specifying a different Flash entry point. Refer to <a href="#">Section 7.7.5</a> for valid BOOTDEF values to set in the table. |
| BOOT_DEF1    | 15:8          | BOOT_DEF1 Mode/Options  | Refer to BOOT_DEF0 description.                                                                                                                                                                                                               |
| BOOT_DEF2    | 23:16         | BOOT_DEF2 Mode/Options  |                                                                                                                                                                                                                                               |
| BOOT_DEF3    | 31:24         | BOOT_DEF3 Mode/Options  |                                                                                                                                                                                                                                               |
| BOOT_DEF4    | 39:32         | BOOT_DEF4 Mode/Options  |                                                                                                                                                                                                                                               |
| BOOT_DEF5    | 47:40         | BOOT_DEF5 Mode/Options  |                                                                                                                                                                                                                                               |
| BOOT_DEF6    | 55:48         | BOOT_DEF6 Mode/Options  |                                                                                                                                                                                                                                               |
| BOOT_DEF7    | 63:56         | BOOT_DEF7 Mode/Options  |                                                                                                                                                                                                                                               |

### 7.7.4 Device Boot Flow Diagrams

This section details the C29 CPU boot flow diagrams for stand-alone and emulation boot flows.

#### 7.7.4.1 Device Boot Flow

The following flow diagrams describe how the device boots up after PORESETn. HSM starts up first and then releases reset to CPU1. Detailed CPU1 boot flow is explained in later sections and for detailed HSM boot flow refer to HSM User Guide.

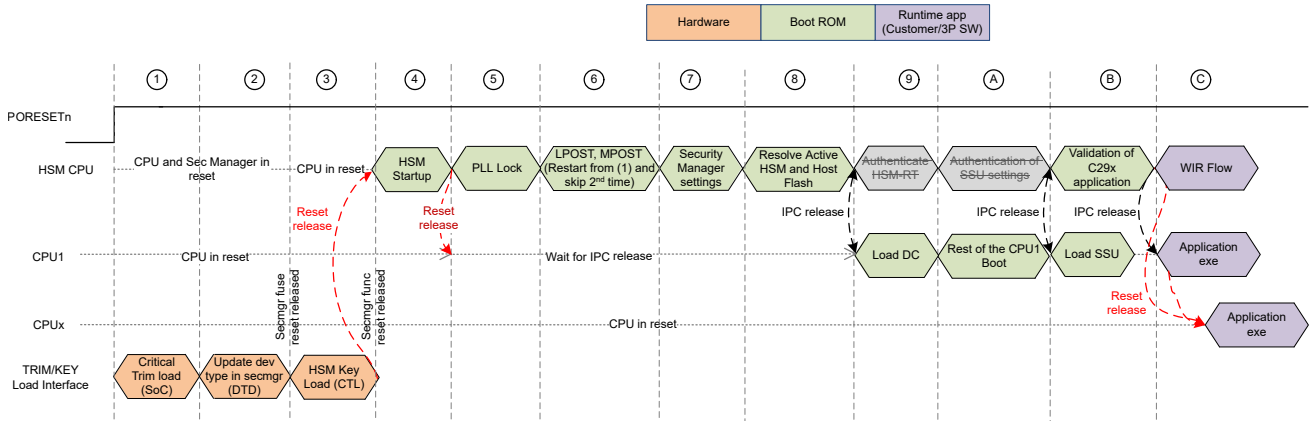


Figure 7-6. HS-FS Device Boot Flow Diagram

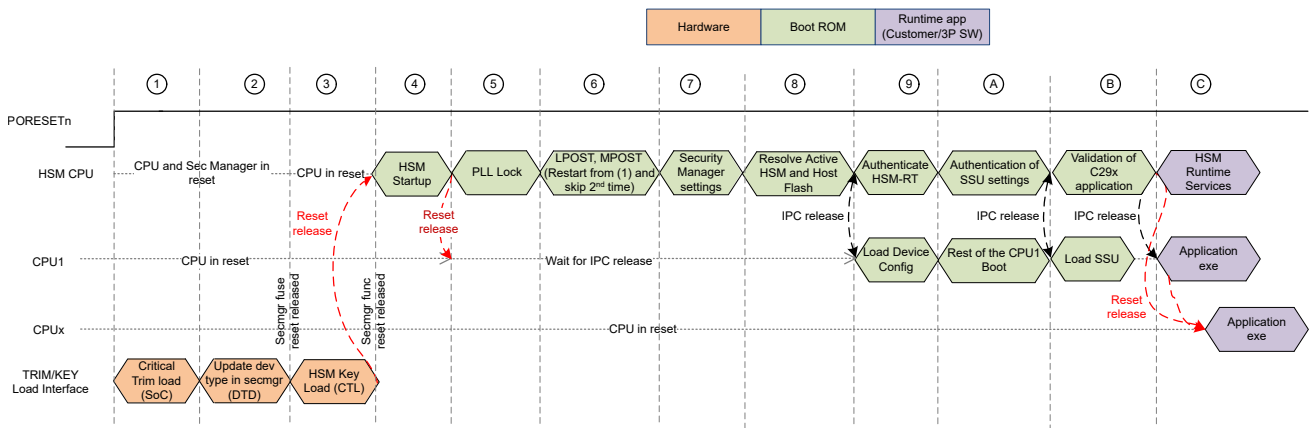


Figure 7-7. HS-SE Secure Boot Flow Diagram

### 7.7.4.2 CPU1 Boot Flow

Upon reset, CPU1 follows the boot flow shown in Figure 7-8. Depending on whether a JTAG debugger is connected to the device, the CPU1 either continues booting following the emulation boot flow or the stand-alone boot flow.

#### Note

Boot on reset (BOR) follows same flow as power on reset (POR).

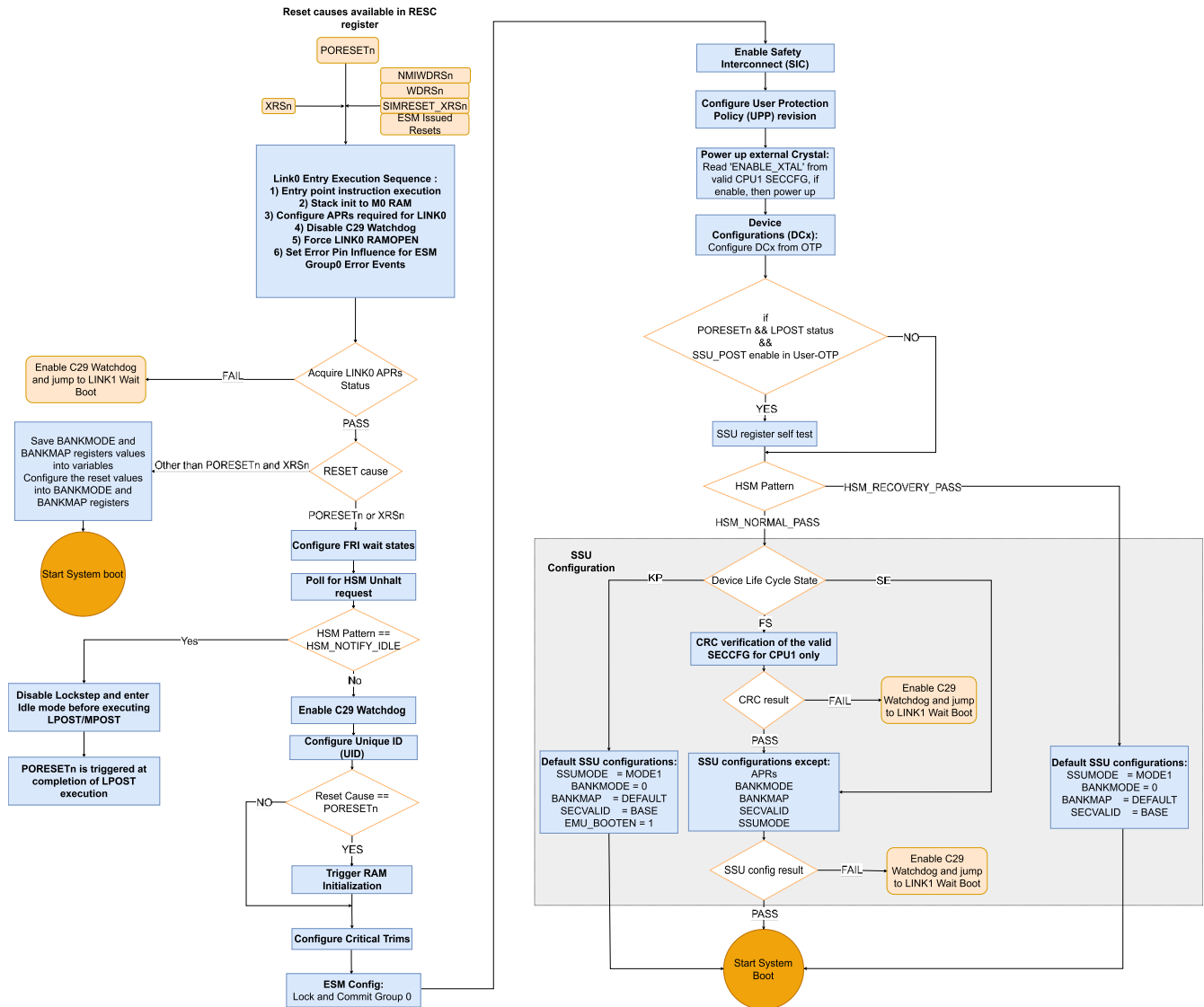


Figure 7-8. Device Boot Flow from Reset to System Boot

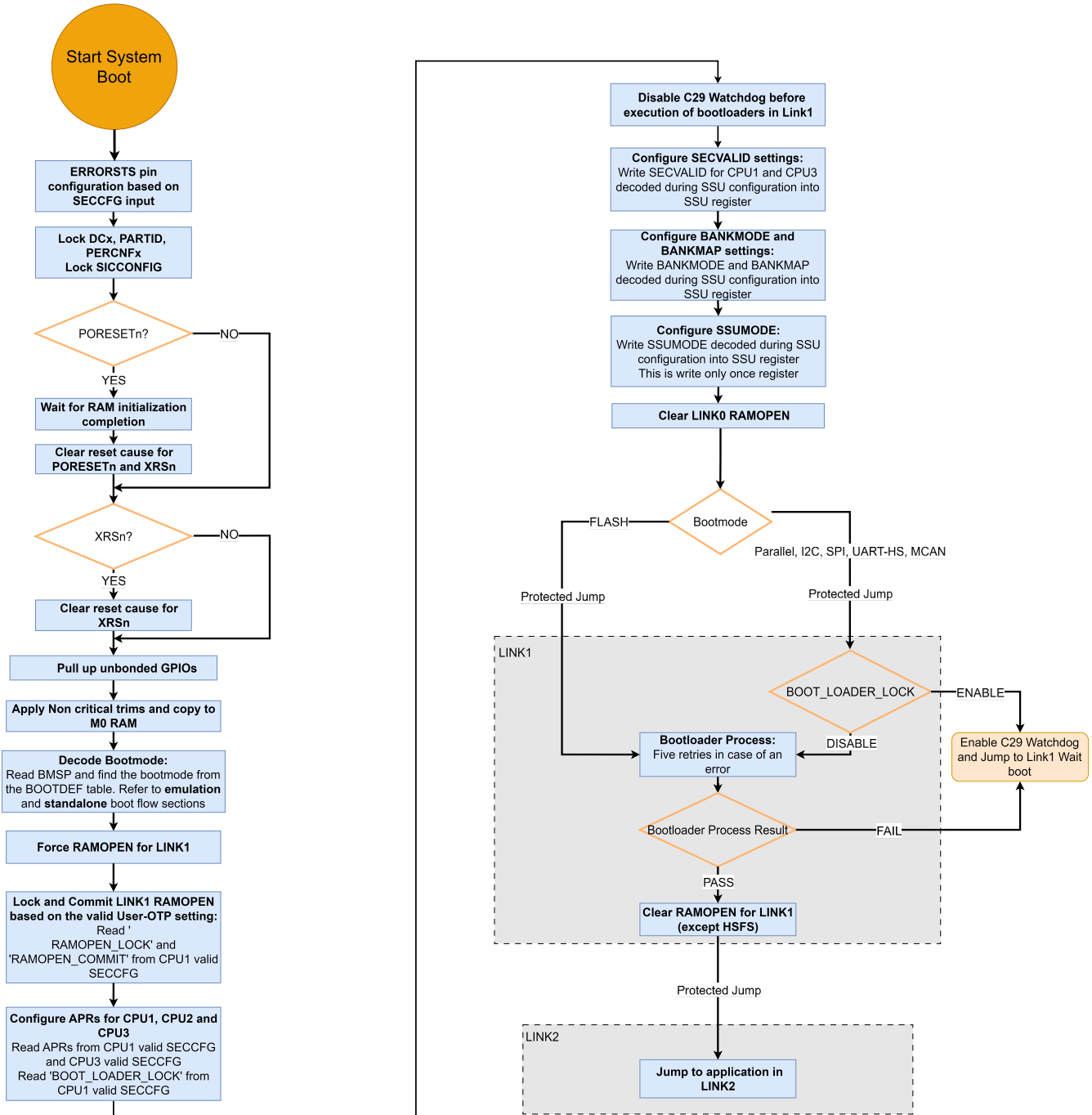


Figure 7-9. System Boot Flow to Application Code

### 7.7.4.3 Emulation Boot Flow

Figure 7-10 shows the emulation boot flow when JTAG debugger is connected and emulation boot is enabled in SECCFG.

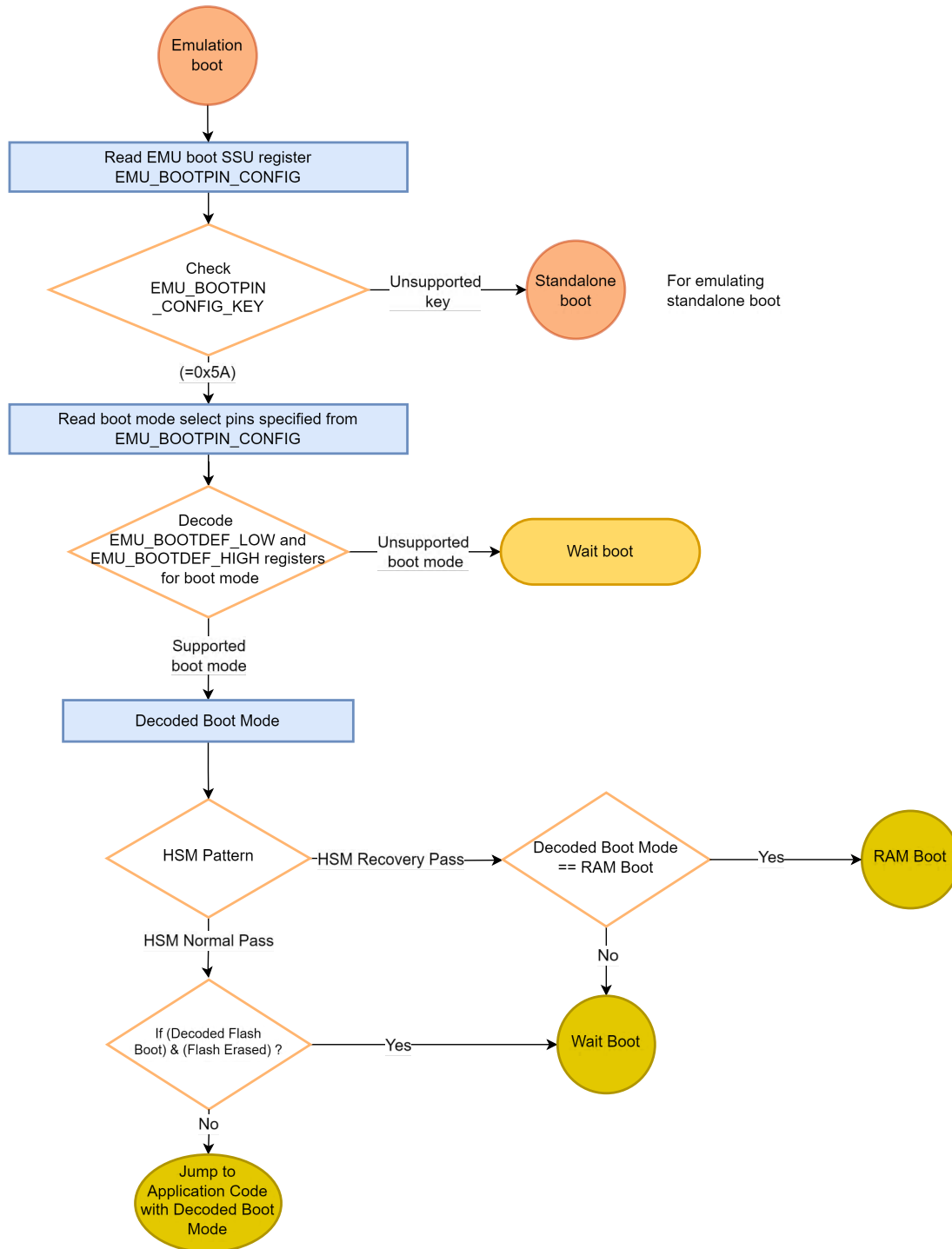


Figure 7-10. Emulation Boot Flow

### 7.7.4.4 Stand-alone Boot Flow

Figure 7-11 shows the stand-alone boot flow for CPU1 when no JTAG debugger is connected to the device.

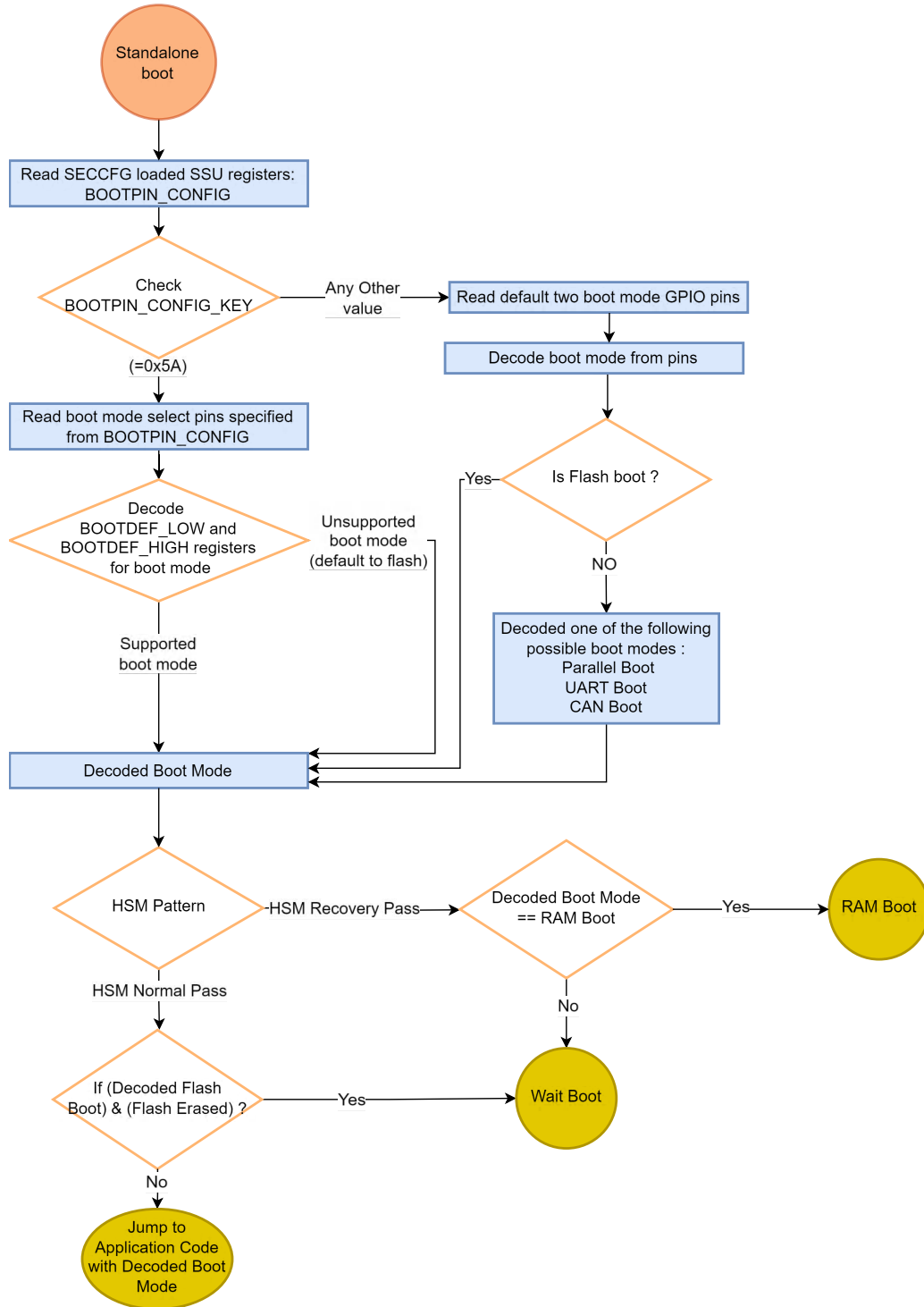


Figure 7-11. Stand-alone Boot Flow

### 7.7.5 GPIO Assignments

This section details the GPIOs and boot option values used for boot mode set in the BOOT\_DEF memory location located at BOOTDEF\_LOW and BOOTDEF\_HIGH. Refer to [Section 7.7.3.2](#) on how to configure BOOT\_DEFx. When selecting a boot mode option, make sure to verify that the necessary pins are available in the pin mux options for the specific device package being used.

Default boot mode GPIO pins:

- Boot mode pin 0 - GPIO84
- Boot mode pin 1 - GPIO72

Guidelines on boot pin selection:

- Avoid pins that have PWM functionality.
- Cannot be analog or USB pins.
- Boot mode select pins and default boot peripheral pins can be available on all packages.
- Avoid JTAG emulation pins and crystal pins.
- Boot mode select pins can be inputs.
- Pins cannot have PHY bootstrap functionality.

**Table 7-38. Parallel Boot Options**

| OPTION      | BOOTDEF VALUE | D0–D7 GPIO                                                                                                           | C29x (DSP)<br>CONTROL GPIO | HOST CONTROL<br>GPIO | PACKAGE<br>SUPPORTED |
|-------------|---------------|----------------------------------------------------------------------------------------------------------------------|----------------------------|----------------------|----------------------|
| 0 (default) | 0x00          | D0 - GPIO0<br>D1 - GPIO1<br>D2 - GPIO2<br>D3 - GPIO3<br>D4 - GPIO4<br>D5 - GPIO10<br>D6 - GPIO11<br>D7 - GPIO12      | GPIO15                     | GPIO16               | All                  |
| 1           | 0x20          | D0 - GPIO17<br>D1 - GPIO18<br>D2 - GPIO22<br>D3 - GPIO23<br>D4 - GPIO25<br>D5 - GPIO26<br>D6 - GPIO29<br>D7 - GPIO30 | GPIO4                      | GPIO5                | All                  |

**Table 7-39. UART Boot Options**

| OPTION | BOOTDEF VALUE | TX     | RX     | PACKAGE SUPPORTED   |
|--------|---------------|--------|--------|---------------------|
| 0      | 0x01          | GPIO42 | GPIO43 | All                 |
| 1      | 0x21          | GPIO38 | GPIO39 | 176-QFP,<br>256-BGA |
| 2      | 0x41          | GPIO2  | GPIO3  | All                 |
| 3      | 0x61          | GPIO38 | GPIO3  | All                 |
| 4      | 0x81          | GPIO84 | GPIO85 | 256-BGA             |

**Table 7-40. CAN Boot Options**

| OPTION      | BOOTDEF VALUE | CANTXA GPIO | CANRXA GPIO | PACKAGE SUPPORTED            |
|-------------|---------------|-------------|-------------|------------------------------|
| 0 (default) | 0x02          | GPIO64      | GPIO65      | All                          |
| 1           | 0x22          | GPIO234     | GPIO235     | 144-QFP, 176-QFP,<br>256-BGA |
| 3           | 0x42          | GPIO64      | GPIO235     | 144-QFP, 176-QFP,<br>256-BGA |
| 4           | 0x62          | GPIO234     | GPIO65      | 144-QFP, 176-QFP,<br>256-BGA |

**Table 7-41. SPI Boot Options**

| OPTION | BOOTDEF VALUE | SPIPICOA | SPIPOCIA | SPICLKA | SPISTEA | PACKAGE SUPPORTED            |
|--------|---------------|----------|----------|---------|---------|------------------------------|
| 0      | 0x06          | GPIO58   | GPIO59   | GPIO60  | GPIO61  | All                          |
| 1      | 0x26          | GPIO16   | GPIO17   | GPIO60  | GPIO19  | 144-QFP, 176-QFP,<br>256-BGA |
| 2      | 0x46          | GPIO32   | GPIO33   | GPIO34  | GPIO35  | 256-BGA                      |
| 3      | 0x66          | GPIO54   | GPIO55   | GPIO56  | GPIO57  | 176-QFP,<br>256-BGA          |

**Table 7-42. I2C Boot Options**

| OPTION | BOOTDEF VALUE | SDAA GPIO | SCLA GPIO | PACKAGE SUPPORTED            |
|--------|---------------|-----------|-----------|------------------------------|
| 0      | 0x07          | GPIO0     | GPIO1     | All                          |
| 1      | 0x27          | GPIO32    | GPIO33    | 256-BGA                      |
| 2      | 0x47          | GPIO42    | GPIO43    | All                          |
| 3      | 0x67          | GPIO56    | GPIO57    | 144-QFP, 176-QFP,<br>256-BGA |

**Table 7-43. CAN-FD Boot Options**

| OPTION | BOOTDEF VALUE | MCAN TX | MCAN RX | PACKAGE SUPPORTED            |
|--------|---------------|---------|---------|------------------------------|
| 0      | 0x08          | GPIO64  | GPIO65  | All                          |
| 1      | 0x28          | GPIO234 | GPIO235 | 144-QFP, 176-QFP,<br>256-BGA |
| 2      | 0x48          | GPIO64  | GPIO235 | 144-QFP, 176-QFP,<br>256-BGA |
| 3      | 0x68          | GPIO234 | GPIO65  | 144-QFP, 176-QFP,<br>256-BGA |

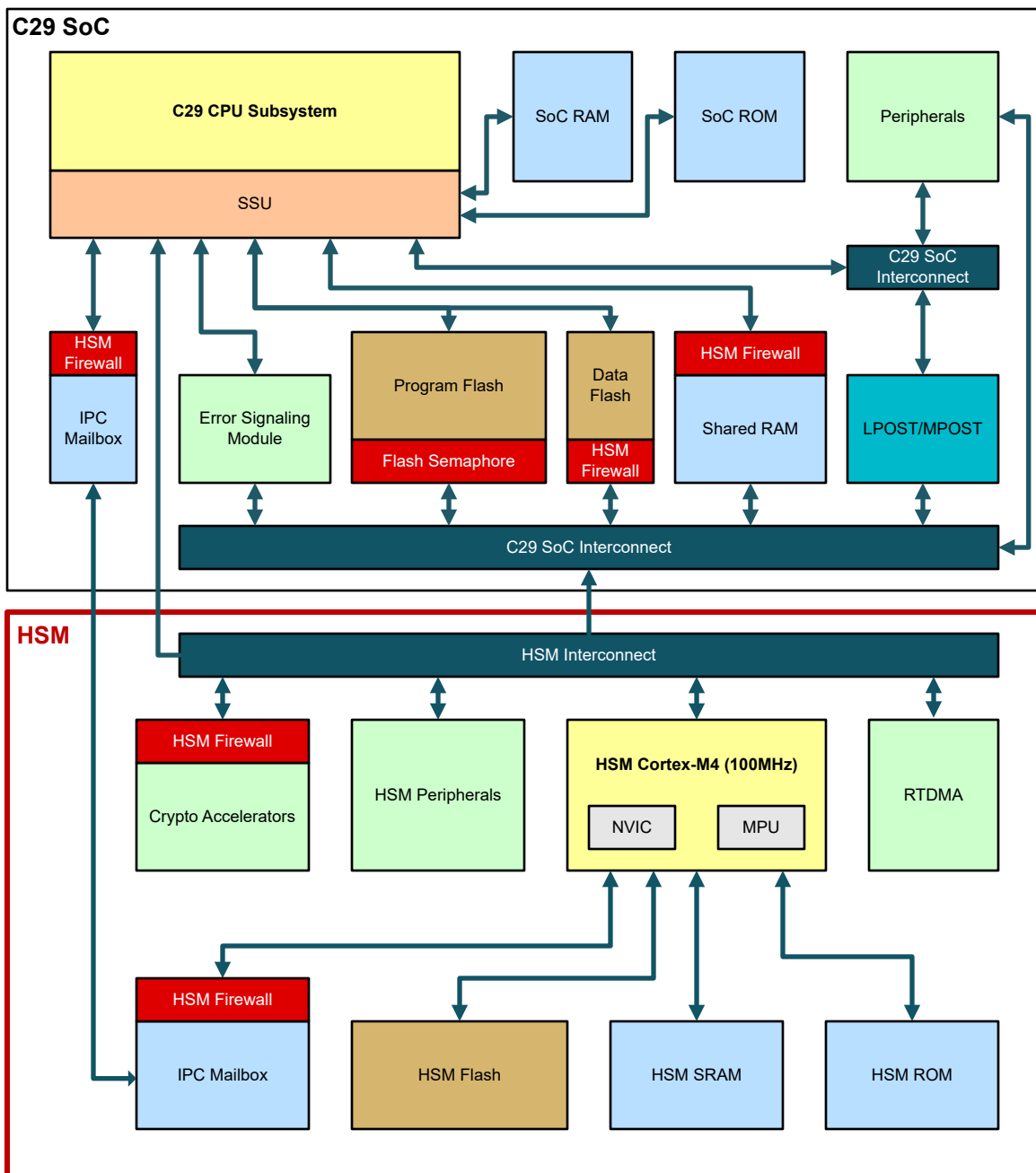
## 7.8 Security Modules and Cryptographic Accelerators

### 7.8.1 Security Modules

This section explains security modules for the C29x cores found on this MCU.

#### 7.8.1.1 Hardware Security Module (HSM)

The Hardware Security Module (HSM) is a self-contained subsystem within the device that provides security and cryptographic functions. The host C29x subsystem interfaces with the HSM subsystem to perform the cryptographic operations required for code authentication, secure boot, secure firmware upgrades and encrypted run-time communications. A high-level view of the various subsystems in this device, with the HSM subsystem highlighted, is shown in Figure 7-12.



**Figure 7-12. Device High-Level Block Diagram**

At the center of the HSM is an Arm® Cortex®-M4 CPU running at 100MHz, with embedded SRAM, ROM, and up to 512KB of Flash memory. The Real-Time DMA (RTDMA) module enables fast data transfers between the HSM CPU and SRAM, HSM and application Flash memory banks, secure mailbox, and cryptographic engines.

The Security Manager module hosts the root-of-trust keys, defines the secure access mechanisms, controls the debug firewalls, and performs the security override sequences to establish protection of security assets if debug or failure-analysis operation is required.

The HSM includes a set of accelerator engines for executing cryptographic algorithms. These engines enable fast execution of symmetric encryption algorithms, hash functions, asymmetric encryption algorithms for public key infrastructure, and a true random number generator (TRNG). The Data Transform and Hashing Engine (DTHE) interfaces between the CPU and the cryptographic accelerators, providing interrupt and RTDMA trigger management and essential functions such as CRC and checksum computation.

In addition, the HSM provides peripheral modules to aid various security functions: timers, a real-time counter, a watchdog, DCC for clock monitoring, and ESM for error handling.

Communication between the HSM and the host application cores happens over a secure mailbox interface. The HSM controls various secure firewalls in the device, including the secure mailbox, cryptographic engines, shared RAM, and device Flash memory.

While the Hardware Security Module (HSM) provides cryptographic services and governs authentication, secure boot, and secure key/code provisioning, the SSU is responsible for run-time safety and security protections in application CPU subsystems.

**Table 7-44. SSU versus HSM Complementary Features**

| Responsibility                                                                                    | SSU or HSM                 |
|---------------------------------------------------------------------------------------------------|----------------------------|
| Safety and security partitioning between application software components                          | SSU only                   |
| Allowing peripherals to be assigned to different software components                              | SSU only                   |
| Governs application Flash bank programming                                                        | SSU only                   |
| Global JTAG Lock                                                                                  | SSU and HSM <sup>(1)</sup> |
| Lower level (ZONE) governance of secure debug of application code                                 | SSU and HSM                |
| Higher level (CPU) governance of secure debug of application code                                 | HSM only                   |
| Governance of secure debug of HSM CPU                                                             | HSM only                   |
| Cryptographic services (encode/decode, random numbers, authentication, key management, and so on) | HSM only                   |
| Secure key storage                                                                                | HSM only                   |
| Secure Boot                                                                                       | HSM only                   |
| Governance of HSM bank programming                                                                | HSM only                   |

(1) When HSM is present, the HSM supersedes SSU for this function.

### 7.8.1.2 Cryptographic Accelerators

The Hardware Security Manager (HSM) includes several hardware accelerators to enable fast execution of key cryptographic algorithms. These engines are described in [Table 7-45](#).

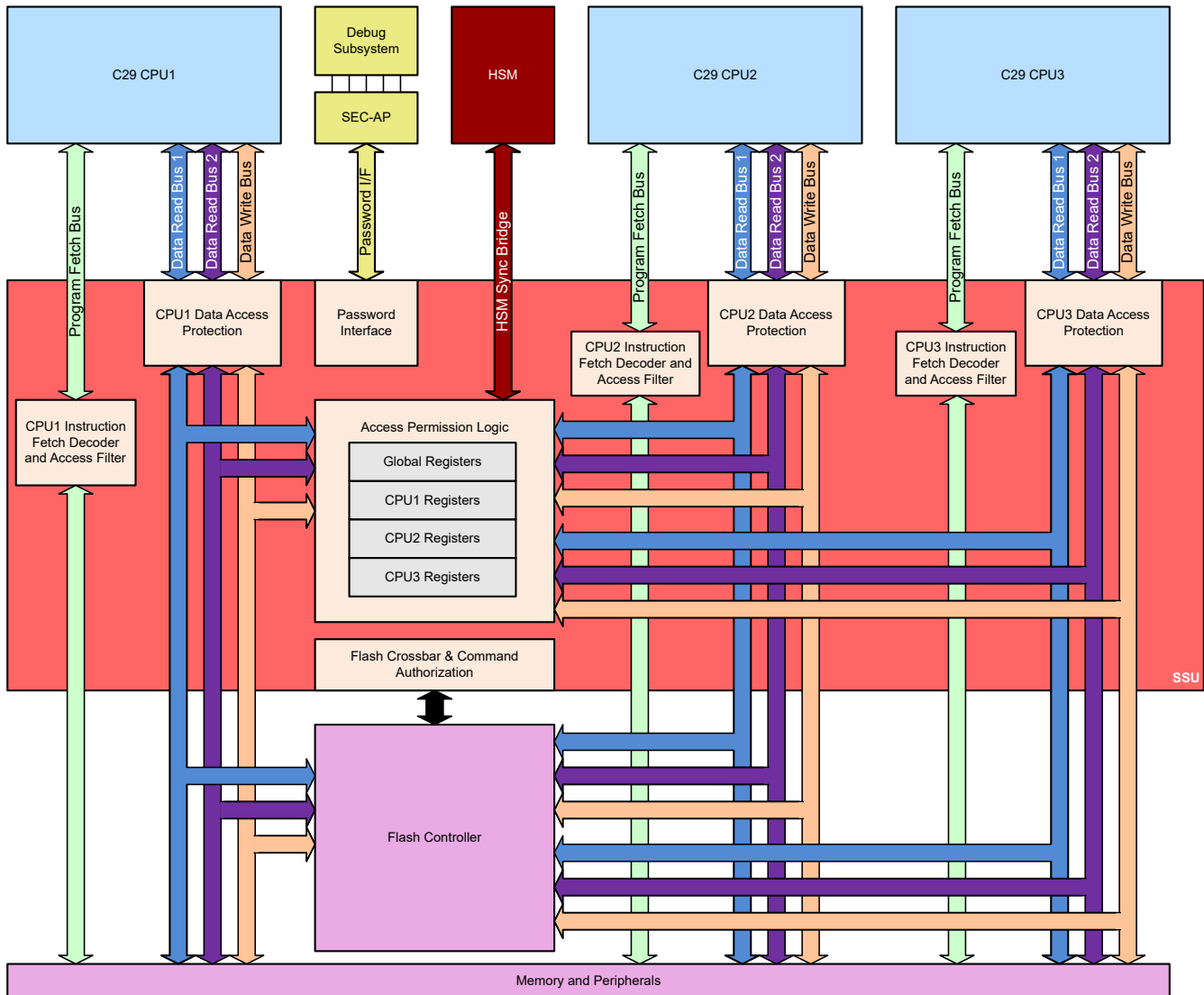
**Table 7-45. List of Cryptographic Accelerator Engines**

| Engine                             | Algorithms Supported                                                                                                                                                                                                                                                                                                |
|------------------------------------|---------------------------------------------------------------------------------------------------------------------------------------------------------------------------------------------------------------------------------------------------------------------------------------------------------------------|
| AES (Advanced Encryption Standard) | Symmetric Algorithms: AES-128, AES-192, AES-256<br>Cipher modes: ECB, CTR, CBC, CFB, OFB, CCM, GCM<br>Authentication: CBC-MAC                                                                                                                                                                                       |
| SM4                                | Symmetric Algorithms: SM4                                                                                                                                                                                                                                                                                           |
| PKE (Public Key Engine)            | High-performance PKE for large-vector math/modulus operation<br>Ciphers: RSA-2048, RSA-3092, RSA-4096, ECC (Curve25519, X25519, SecP256r1, secP256k1, secP384r1, secP384k1, Brain Pool, and more), SM2<br>Supports cryptographic operations: ECDSA, EdDSA, ECDH, EdDH, SM2DSA<br>Side-channel protection (DPA, FIA) |
| SHA                                | Hash Algorithms: SHA-256, SHA-384, SHA-512<br>Keyed hashing: HMAC-SHA256, HMAC-SHA512                                                                                                                                                                                                                               |
| SM3                                | Hash Algorithms: SM3 (256 bits, 384 bits, 512 bits)                                                                                                                                                                                                                                                                 |
| TRNG                               | True random number generator<br>Deterministic random bit generator (DRBG)                                                                                                                                                                                                                                           |

## 7.8.2 Safety and Security Unit (SSU)

### 7.8.2.1 System View

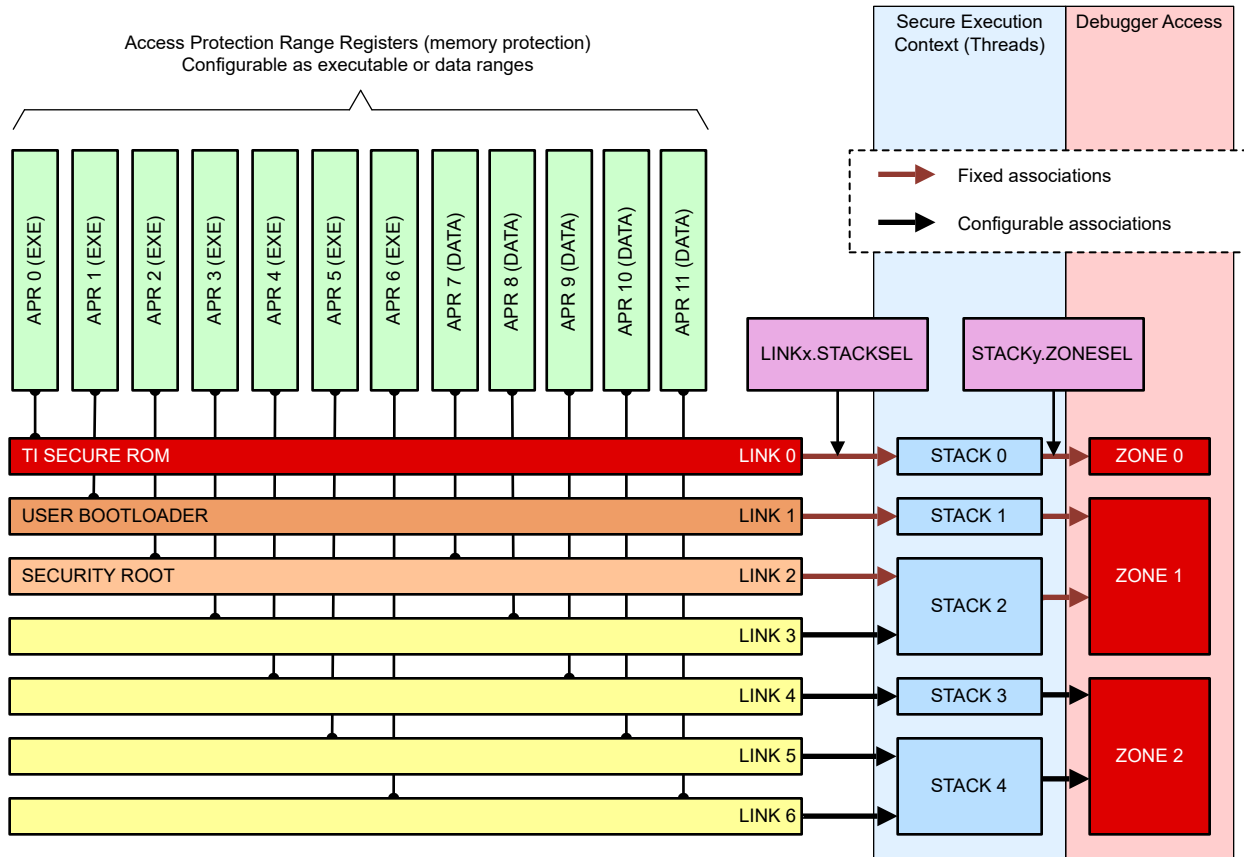
A simplified view of the F29x Real-Time Security architecture in this device is shown in Figure 7-13. At the heart of the architecture is the Safety and Security Unit (SSU). The SSU acts as a firewall between the C29 CPUs and the memory and peripherals. The primary role of the SSU is to enforce user access protection policy every time the C29 CPU performs accesses to peripherals and memory on the chip. In addition, the SSU governs debug access and Flash Controller operations in the C29 application subsystem (note: the SSU has no control over the HSM Flash, or any other HSM resources). While the Hardware Security Module (HSM) provides cryptographic services and governs authentication, secure boot and secure key/code provisioning, the SSU is responsible for run-time safety and security protections in application CPU subsystems. Both the HSM and SSU govern debug access authorization; both must enable access to a specific resource for debug to be authorized.



**Figure 7-13. C29 Real-Time Security Architectural Block Diagram**

The SSU is tightly coupled to the C29 CPUs and the Flash Controller. Each C29 CPU is designed to support hardware function isolation and protections using memory protection identifiers (LINKs), safety and security isolation contexts (STACKs), and debug access ZONES. An example of a system SSU configuration, showing the relationship between access protection ranges, LINKs, STACKs and ZONES is shown in Figure 7-14. When

the CPU requests an instruction fetch, the SSU first decodes the instruction address to a LINK, STACK, and ZONE, and then passes that information back to the CPU along with the fetched data. The CPU retains this security context information together with the instruction throughout the execution pipeline, and passes the context along to the SSU when making a data memory read or write access.



**Figure 7-14. SSU Concept Diagram (Simplified)**

## 7.9 C29x Subsystem

### 7.9.1 C29 CPU Architecture

The C29 CPU is a VLIW (Very Long Instruction Word) architecture with a fully protected pipeline. The CPU supports multiple instruction sizes (16/32/48 bits). The CPU also supports variable instruction packet size, with each packet able to contain up to eight instructions that execute in parallel. For example, the CPU architecture can execute up to eight 16-bit instructions in parallel. This is enabled by multiple functional units inside the CPU which can execute concurrently. A total of 64 working registers, broken into three different categories (Ax, Dx and Mx Register banks) support the parallel operations in the CPU. In addition to the working registers, the CPU contains multiple status registers (DSTS, ESTS and ISTS) which maintain execution-related and interrupt-context-related information.

Following are the list of C29 CPU major features:

- **Ease of use:**
  - Byte addressable CPU.
  - Linear and unified memory map with 4GB address range.
  - Fully Protected Pipeline: 9 stage pipeline that prevents writes and reads from same location from occurring out of order.
  - Deterministic execution and maximum performance without cached memories.
- **Improved parallelism:**
  - Execute from 1 to 8 instructions in parallel.
  - Execute fixed-point, floating-point, and addressing operations in parallel.
  - Multiple parallel functional units.
  - Specialized operations to minimize discontinuities and accelerate decision making code (for example, if-then-else statements and switch statements).
  - Specialized operations targeting real-time control (for example, trigonometric operations and multiphase vector translation operations).
- **Improved bus throughput:**
  - Capable of fetching up to 128-bit instruction packet every cycle.
  - Capable of performing 8/16/32/64-bit dual reads and single writes per cycle.
  - Improved addressing modes reduce overhead in accessing memory and peripheral resources.
  - Improved pipeline allows for additional 0-wait memory to be accessible to CPU for max performance.
- **Code efficiency:**
  - Supports variable length instruction set (16-bit, 32-bit and 48-bit instructions).
  - Rich instruction set optimizes the most common operations in smallest instructions.
- **ASIL D safety capability with code isolation in hardware:**
  - Lock step core capable of independent execution in split-lock mode (acting as a separate core) or lock step execution (for redundancy).
  - Integrated ECC logic
  - Integrated memory management (MPU) and protection mechanisms in hardware to maximize MIPS.
  - Separate code threads are fully isolated and protected (including software stacks).
- **Enhanced debug and trace capabilities:**
  - Specialized data logging and code flow trace instructions.
  - Trace data capable of being logged in on-chip RAM or exported through serial communication peripherals.

## 7.9.2 Peripheral Interrupt Priority and Expansion (PIPE)

### 7.9.2.1 Introduction

Each PIPE module instance arbitrates peripheral interrupts for the respective CPU. All asserted interrupts are arbitrated each clock cycle, with the highest priority interrupt asserted to the corresponding CPU interrupt line (NMI, RTINT, or INT). The PIPE module is responsible for providing vector addresses to the CPU for NMI, RTINT, INT and RESET. The PIPE is capable of custom ordering of interrupts, prioritization, and nesting.

---

#### Note

Refer to the [C29x CPU Reference Guide](#) for information on the C29x CPU Interrupts Architecture including types of interrupts, interrupt functionality, and safety and security.

---

#### 7.9.2.1.1 Features

The PIPE module has the following features:

- Hardware support for interrupt prioritization, arbitration, grouping, software hand-shake, and nesting.
- Dynamic arbitration of interrupts in hardware on every clock.
- Selectable priority level to choose interrupts as either RTINT and INT (including Supervisor INT).
- Interrupt grouping of adjacent-prioritized interrupts to block nesting within groups.
- Default index-based priority order for interrupts used in arbitration.
- Vector fetch support for RESET, NMI, RTINT, and INT.
- User access to the stack configured for INT.
- Contexts used by a software task manager system or operating system.
- Link-based protection verifies only legal code from the assigned interrupt owner services the interrupt.
- Device level protection validates only legal code source updates interrupt configuration and vector tables.
- Automatic context save and restore for RTINT and NMI.
- RTINT stack overflow protection always provides NMI a block of reserved stack space for execution.
- ECC protection for interrupt vector table.
- Parity protection for configuration registers.
- Optional locking capability of interrupt configurations.

#### 7.9.2.1.2 Interrupt Concepts

An interrupt is a signal that causes the CPU to pause the currently running process and branch to a different piece of code known as an interrupt service routine (ISR). This is a useful mechanism for handling peripheral events, and involves less CPU overhead and program complexity than register polling. However, because interrupts are asynchronous to the program flow, care must be taken to avoid conflicts over resources that are accessed both in interrupts and in the main program code.

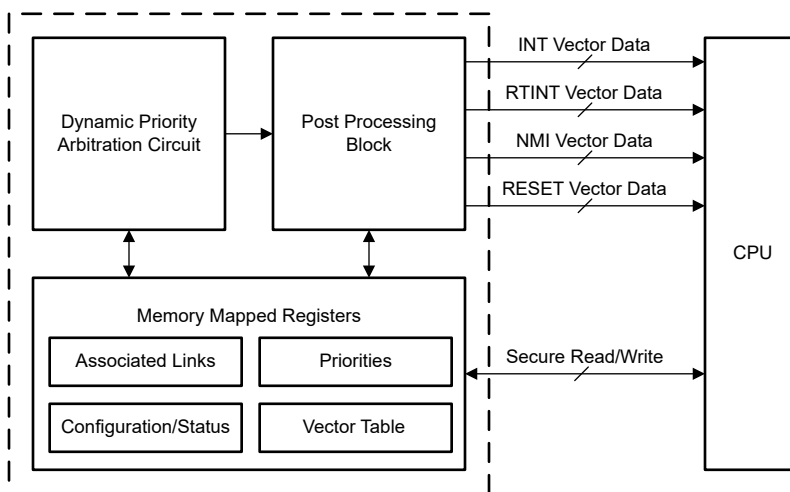
Interrupts propagate to the CPU through a series of flag and enable registers. The flag registers store the interrupt until the interrupt is processed. The enable registers allow or block the propagation of the interrupt. When an interrupt signal reaches the CPU, the CPU fetches the appropriate ISR address from the vector table.

### 7.9.2.2 Interrupt Controller Architecture

The PIPE module has three primary functional blocks:

1. Dynamic Priority Arbitration Circuit
2. Post Processing Block
3. Memory-Mapped Registers (includes vector table and bus interface)

These three blocks are explained in detail in the following subsections.



**Figure 7-15. PIPE Architecture**

#### 7.9.2.2.1 Dynamic Priority Arbitration Block

The dynamic priority arbitration block provides the CPU with the highest priority interrupt vector that is available every clock cycle. The CPU processes the highest priority interrupt at the provided vector address.

#### 7.9.2.2.2 Post Processing Block

The post processing block takes the highest priority interrupt that won the arbitration process and selects which interrupt line (INT or RTINT) to forward the interrupt to. The post processing block also automatically checks which link is accessing an interrupt line and whether a secure link is accessing protected registers.

#### Note

The NMI line provided to the CPU is an independent line that overrides any other interrupt (INT or RTINT) ready for assertion.

#### 7.9.2.2.3 Memory-Mapped Registers

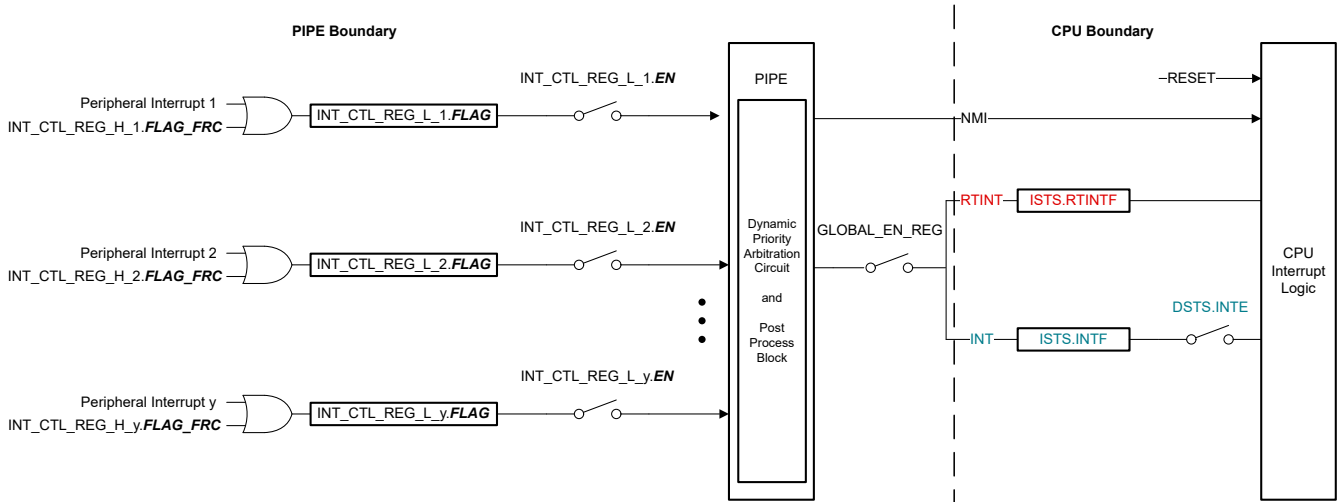
The memory-mapped registers (MMR) contain the interrupt configuration registers. Below are the type of registers available in the memory-mapped registers:

- Link associated with each interrupt.
- Priority configured for each interrupt.
- Interrupt configurations.
- Interrupt status.
- Vector table.

Accesses are controlled by the same security rules that apply to all registers.

### 7.9.2.3 Interrupt Propagation

Interrupts propagate to the CPU through several steps. Peripheral interrupts set the corresponding FLAG bit in the INT\_CTL\_REG\_L\_y register of a given interrupt. If the EN bit of the interrupt's INT\_CTL\_REG\_L\_y register is set, the interrupt propagates to the dynamic priority arbitration circuit. Next, the dynamic priority arbitration block and post processing block arbitrate the highest-priority interrupt and assert this to the CPU on one of the two interrupt lines (RTINT or INT). Finally, the CPU chooses the highest-priority interrupt line that is asserted (amongst NMI, RTINT, and INT) and begins execution of that interrupt.



**Figure 7-16. Interrupt Propagation**

#### Note

NMI is an independent line that overrides any other interrupts ready for assertion. An NMI event asserted to PIPE is forwarded to the CPU, including NMI in service. CPU can select a new NMI at any time, but the PIPE module does not forward the new NMI until the in-service NMI interrupt service routine is complete.

The same rule is applicable to RESET. Once the CPU receives the RESET, there are no conditions to meet before reset assertion to CPU.

Refer to the [C29x CPU Reference Guide](#) for how interrupts propagate once within the C29x CPU.

### 7.9.3 Data Logging and Trace (DLT)

#### 7.9.3.1 Introduction

For critical CPU run-time content the data logger and trace (DLT) module has the ability to control what data gets logged, when to start data-logging, and the size of the data to capture. Critical run-time content can include any information that needs to be monitored as the content is computed. When data-logging the DLT is non-intrusive meaning there is no impact to run-time or CPU core behavior. The ability to view intermediate values of computation in a critical task, such as a control loop, can help users fine-tune the loop. The DLT module can generate interrupts to the interrupt controller, issue RTDMA transfer requests, and interact with ERAD event triggers.

The DLT can collect, time-stamp, prefilter, export, and do real-time and post analysis of data.

##### 7.9.3.1.1 Features

The DLT has the following capabilities:

- Logging critical run-time content referred to as data logging
- Analyze program execution sequence using tags referred to as trace
- Logging is non-intrusive to run-time/CPU core behavior
- Flexible logging capability for extended period of time by transferring data to external memory or short period of time to on-chip memory
- Logging of registers can be up to 32-bit size, depending on the size on the variable to be logged
- Each CPU has DLT support
- Time stamping records time difference from last logged variable and can time stamp the IPC timer's count
- RTDMA triggering
- Global, FIFO and timer interrupt generation

7.9.3.1.1.1 Block Diagram

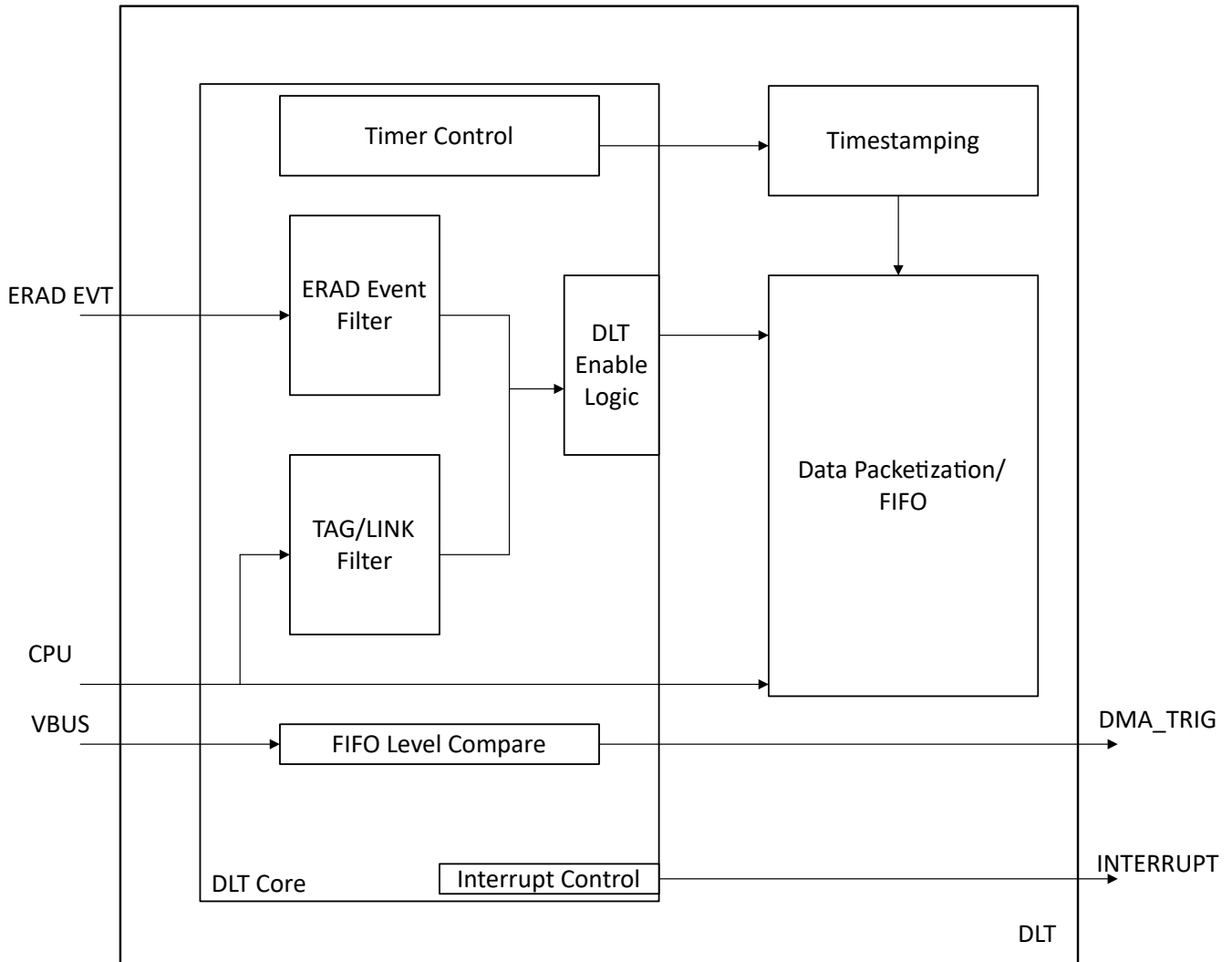


Figure 7-17. DLT Block Diagram

## 7.9.4 Waveform Analyzer Diagnostics (WADI)

### 7.9.4.1 WADI Overview

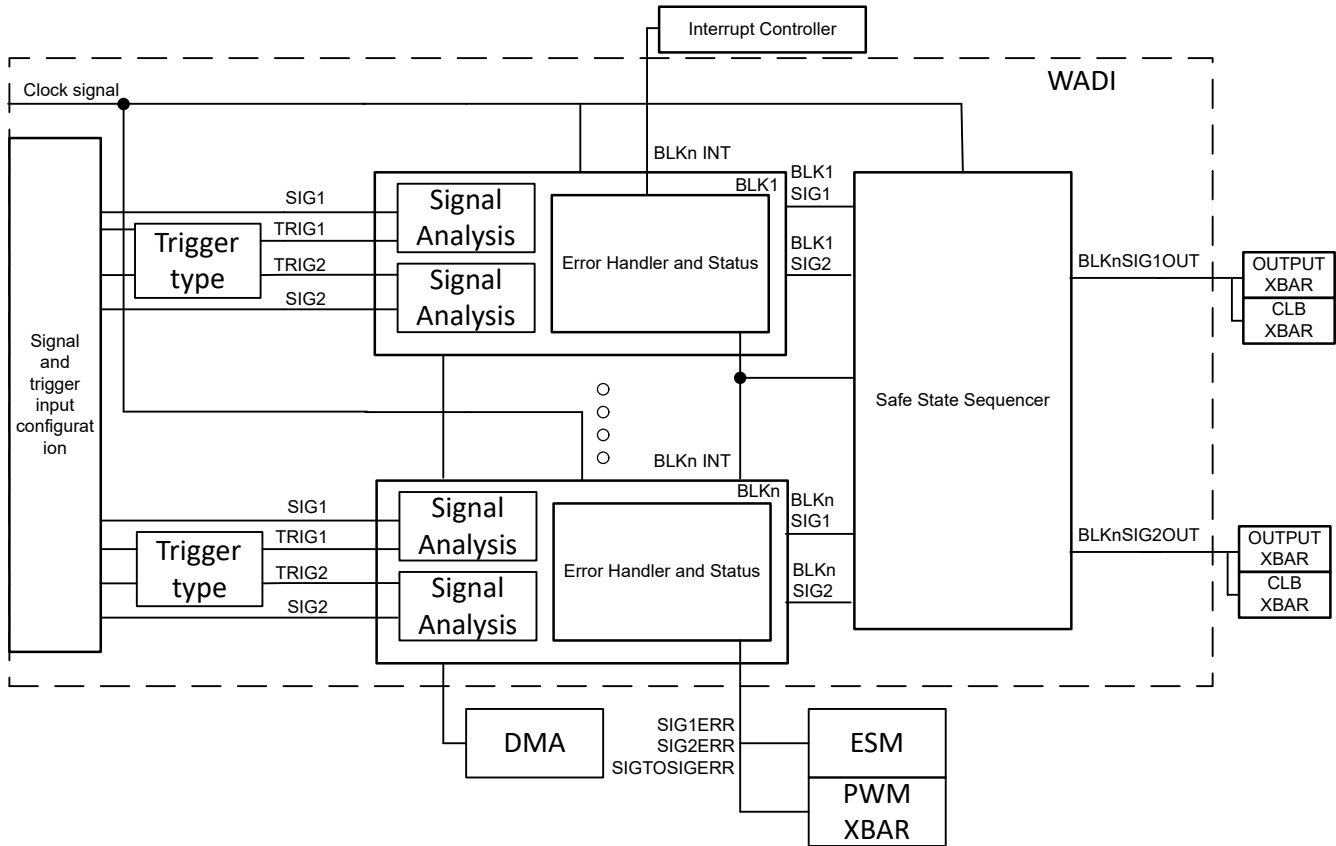
The waveform analyzer and diagnostic (WADI) peripheral consists of many useful built in signal analysis support and provides a safety mechanism for the signals. WADI is primarily useful for safety applications where driving switches or capturing signals require an action or a linking of actions to occur if the signal analysis reports any misbehavior.

#### 7.9.4.1.1 Features

- Ability to select an input signal from multiple sources (CMPSS, ePWM, Input-XBAR, CLB, ADC) to WADI block and configure trigger to start analysis and perform safety diagnostics on the signals
- Ability to perform different checks as configured:
  - Pulse width measurement
  - Frequency measurement
  - Phase Overlap measurement
  - Dead-band measurement
- Ability to perform checks on individual signal or perform checks between two signals
- Ability to override outputs to a certain state or define a link of output combination based on analysis of signals
- Registers with parity support
- Support for RTDMA trigger and RTDMA acknowledgment

**7.9.4.1.2 Block Diagram**

Figure 7-18 shows a block diagram of the WADI.



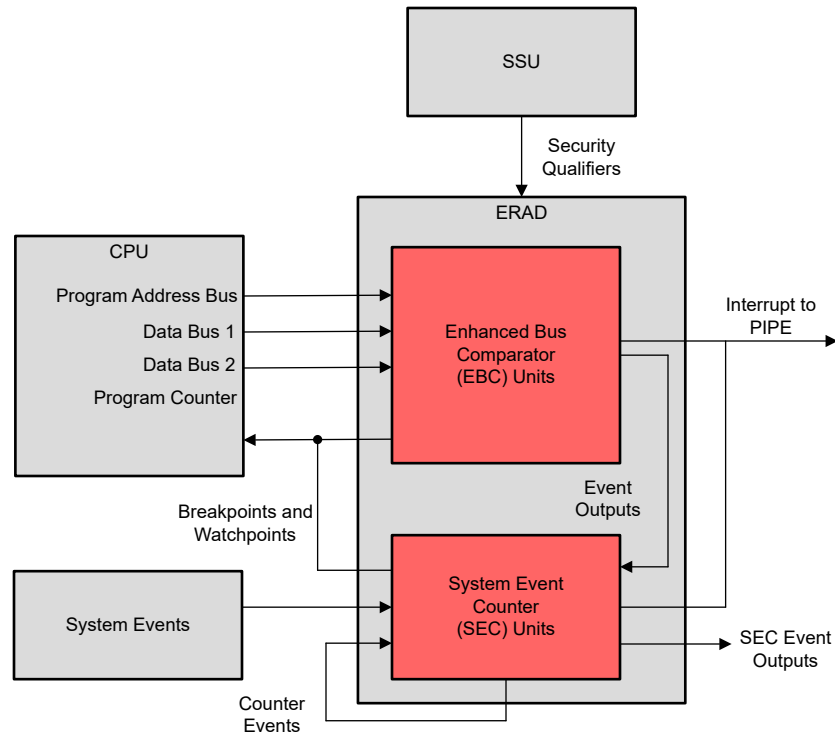
**Figure 7-18. WADI Block Diagram**

**7.9.4.1.3 Description**

The waveform analyzer diagnostic (WADI) determines the correctness and quality of the underlying real time control system by performing measurements, aggregation and comparison on the input signals. Each input signal is characterized for certain attributes of pulse width, frequency, phase, dead-band and so on. WADI validates the measurements for each signal against a compare value with some error of margin that the signal can still be considered valid. WADI allows comparison of individual signals or signal to signal analysis within a WADI block. There are four WADI blocks for each WADI instance. Each WADI block can monitor up to two signals and perform signal analysis on each.

### 7.9.5 Embedded Real-Time Analysis and Diagnostic (ERAD)

The ERAD module enhances the debug and system-analysis capabilities of the device. The debug and system-analysis enhancements provided by the ERAD module is done outside of the CPU. The ERAD module consists of the Enhanced Bus Comparator units and the System Event Counter units. The Enhanced Bus Comparator units are used to generate hardware breakpoints, hardware watch points, and other output events. The System Event Counter units are used to analyze and profile the system. The ERAD module is accessible by the debugger and by the application software, which significantly increases the debug capabilities of many real-time systems, especially in situations where debuggers are not connected. The ERAD module has a Program Counter Trace (PC Trace) that can track PC discontinuities.



**Figure 7-19. ERAD System Overview**

## 7.9.6 Inter-Processor Communications (IPC)

### 7.9.6.1 Introduction

This section details the IPC features that each CPU can use to request and share information. The IPC features are:

- IPC flags and interrupts
- IPC command registers
- Free-running counter

All IPC features are independent of each other, and most do not require any specific data format.

The *IPC Module Architecture* figure shows the design structure of the IPC module. The functionality is the same between any two CPUs.

There is no message RAM for devices with C29x processors, since it is possible to designate any memory as readable or writable by the various CPUs.

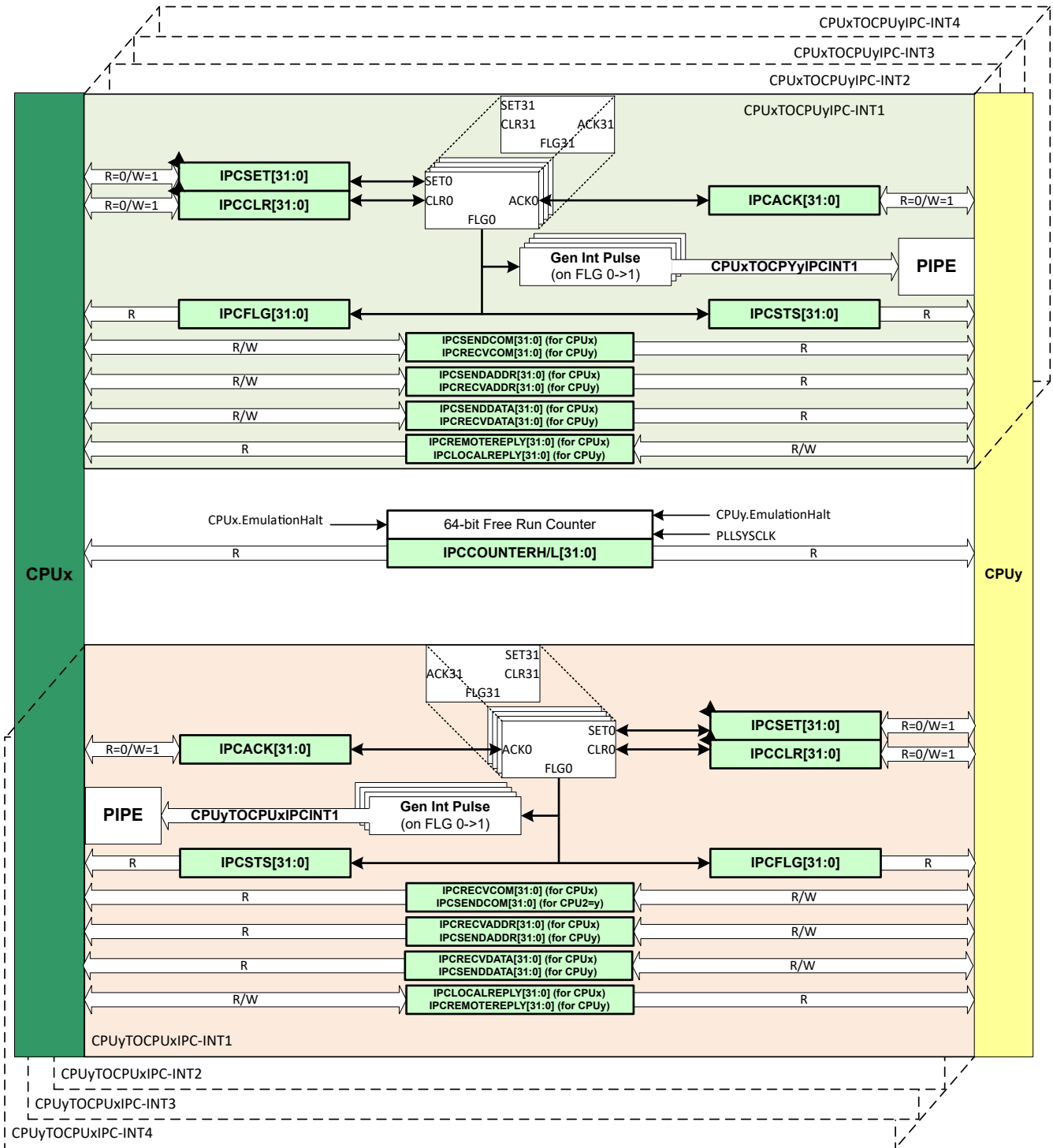


Figure 7-20. IPC Module Architecture

### 7.9.7 Watchdog

The watchdog module is the same as the one on previous TMS320C2000™ microcontrollers, but with an optional lower limit on the time between software resets of the counter. This windowed countdown is disabled by default, so the watchdog is fully backward-compatible.

The watchdog generates either a reset or an interrupt. It is clocked from the internal oscillator with a selectable frequency divider.

Figure 7-21 shows the various functional blocks within the watchdog module.

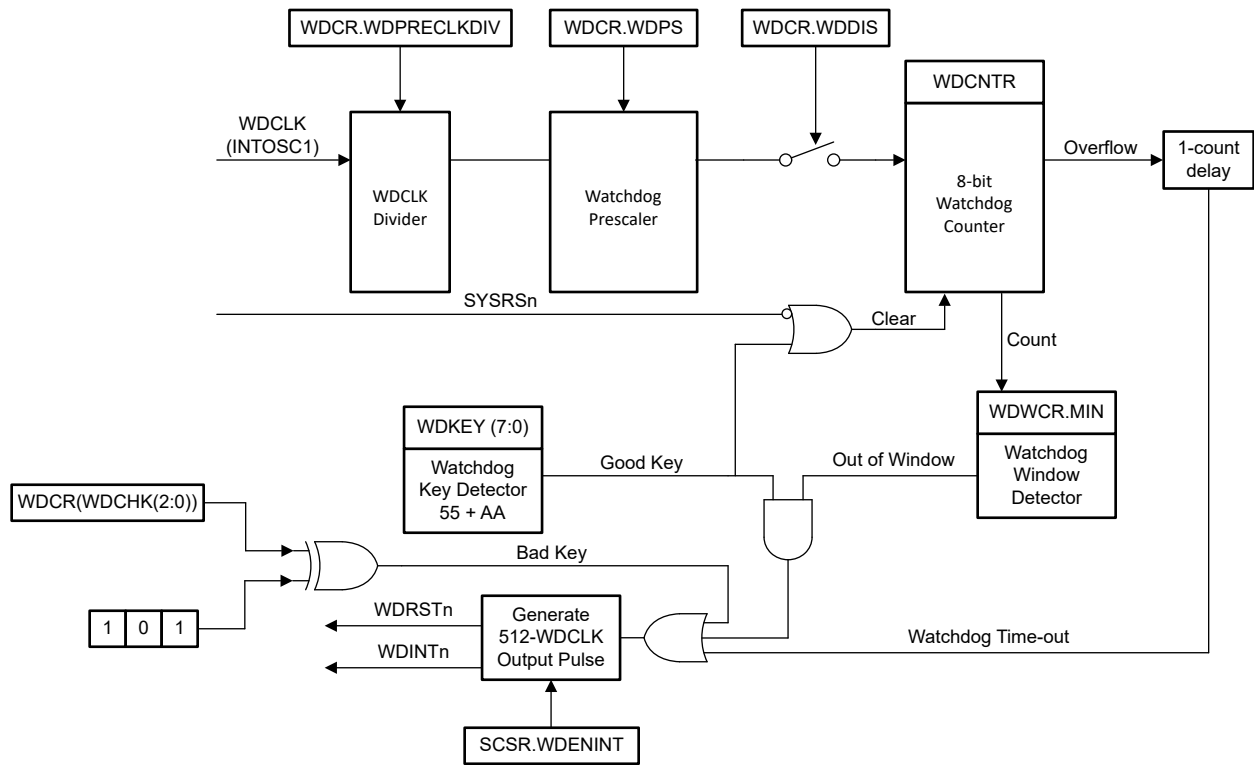


Figure 7-21. Windowed Watchdog

### 7.9.8 Dual-Clock Comparator (DCC)

The DCC module is used for evaluating and monitoring the clock input based on a second clock, which can be a more accurate and reliable version. This instrumentation is used to detect faults in clock source or clock structures, thereby enhancing the system's safety metrics.

#### 7.9.8.1 Features

The DCC has the following features:

- Allows the application to ensure that a fixed ratio is maintained between frequencies of two clock signals.
- Supports the definition of a programmable tolerance window in terms of the number of reference clock cycles.
- Supports continuous monitoring without requiring application intervention.
- Supports a single-sequence mode for spot measurements.
- Allows the selection of a clock source for each of the counters, resulting in several specific use cases.

#### 7.9.8.2 Mapping of DCCx Clock Source Inputs

Table 7-46. DCCx Clock Source0 Table

| DCCxCLKSRC0[3:0] | CLOCK NAME |
|------------------|------------|
| 0x0              | XTAL/X1    |
| 0x1              | INTOSC1    |

**Table 7-46. DCCx Clock Source0 Table (continued)**

| DCCxCLKSRC0[3:0] | CLOCK NAME                          |
|------------------|-------------------------------------|
| 0x2              | INTOSC2                             |
| 0x4              | TCK                                 |
| 0x5              | CPU1.SYSCLK                         |
| 0x8              | AUXCLKIN                            |
| 0xC              | INPUT XBAR (Output16 of input-xbar) |
| others           | Reserved                            |

**Table 7-47. DCCx Clock Source1 Table**

| DCCxCLKSRC1[4:0] | CLOCK NAME         |
|------------------|--------------------|
| 0x0              | PLLRAWCLK          |
| 0x2              | INTOSC1            |
| 0x3              | INTOSC2            |
| 0x6              | CPU1.SYSCLK        |
| 0x7              | CPU2.SYSCLK        |
| 0x8              | RTDMA - LCMCLK     |
| 0x9              | INPUT_XBAR.INPUT15 |
| 0xA              | AUXCLKIN           |
| 0xB              | EPWMCLK            |
| 0xD              | ADCCLK             |
| 0xE              | WDCLK              |
| 0x15             | CPU3.SYSCLK        |
| 0x18             | INPUT_XBAR.INPUT11 |
| 0x19             | INPUT_XBAR.INPUT12 |
| 0x1A..0x1F       | MCAN[A..F]BITCLK   |
| 0x20             | ESM CLOCK          |
| others           | Reserved           |

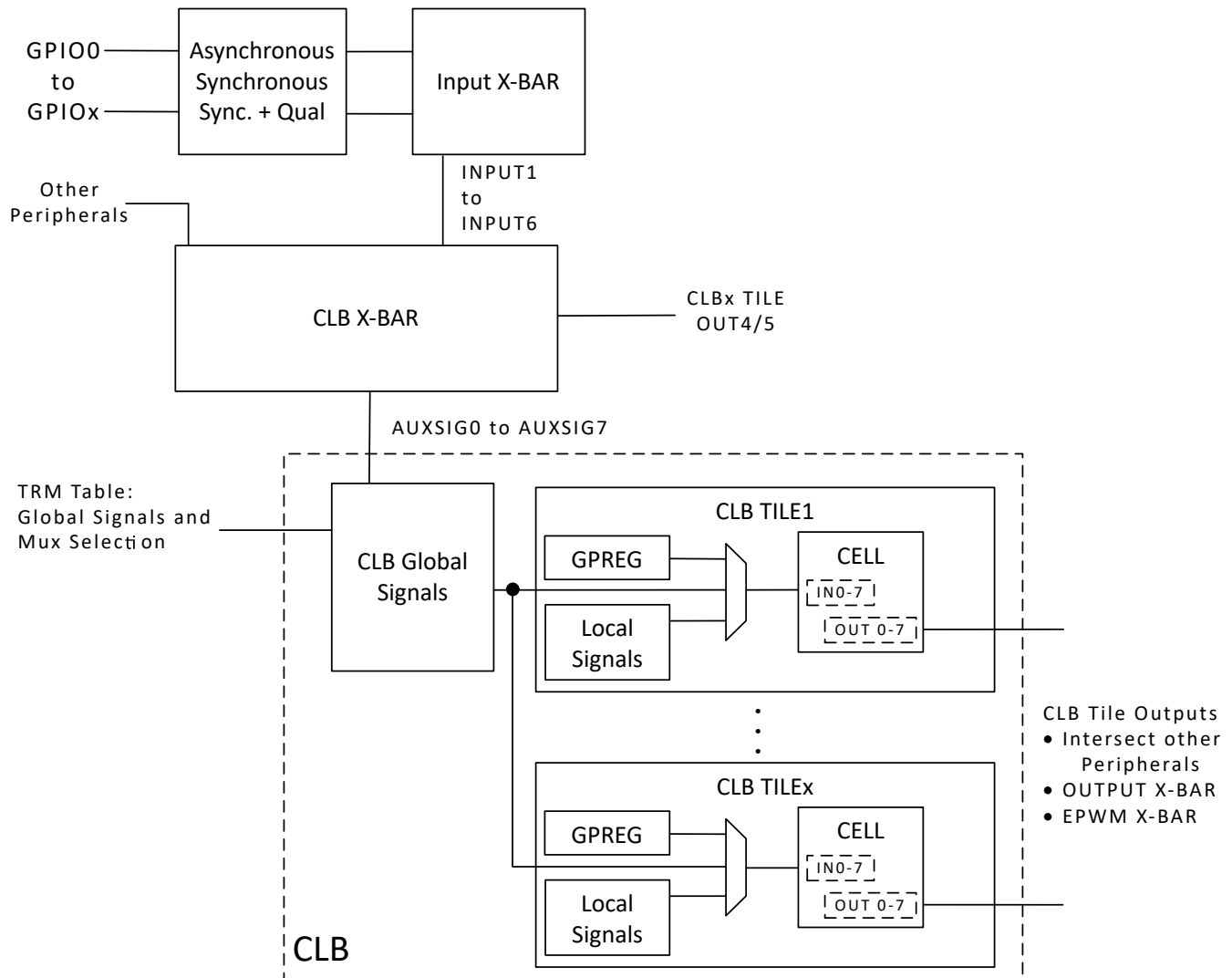
### 7.9.9 Configurable Logic Block (CLB)

The C2000 configurable logic block (CLB) is a collection of blocks that can be interconnected using software to implement custom digital logic functions or enhance existing on-chip peripherals. The CLB is able to enhance existing peripherals through a set of crossbar interconnections, which provide a high level of connectivity to existing control peripherals such as enhanced pulse width modulators (ePWM), enhanced capture modules (eCAP), and enhanced quadrature encoder pulse modules (eQEP). The crossbars also allow the CLB to be connected to external GPIO pins. In this way, the CLB can be configured to interact with device peripherals to perform small logical functions such as comparators, or to implement custom serial data exchange protocols. Through the CLB, functions that would otherwise be accomplished using external logic devices can now be implemented inside the MCU.

The CLB peripheral is configured through the CLB tool. For more information on the CLB tool, available examples, application notes and users guide, please refer to the following location in [F29 SDK](#):

- [F29\\_SDK\\_INSTALL\\_LOCATION\tools\clb\\_tool\clb\\_sysconfig\doc](#)
- [CLB Tool User's Guide](#)
- [Designing With the C2000™ Configurable Logic Block \(CLB\) Application Note](#)
- [How to Migrate Custom Logic From an FPGA/CPLD to C2000™ Microcontrollers Application Note](#)

The CLB module and its interconnections are shown in [Figure 7-22](#).



**Figure 7-22. GPIO to CLB Tile Connections**

Absolute encoder protocol interfaces are now provided in F29 MotorControl SDK. Configuration files, application programmer interface (API), and use examples for such solutions are provided with [F29 MotorControl SDK](#). In some solutions, the TI-configured CLB is used with other on-chip resources, such as the SPI port or the C29x CPU, to perform more complex functionality.

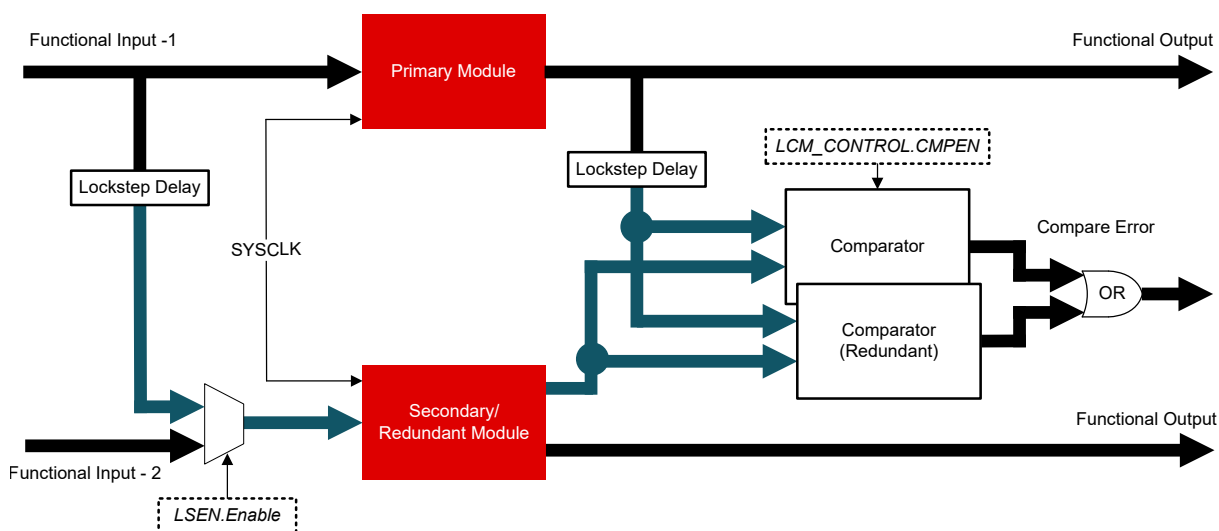
## 7.10 Lockstep Compare Module (LCM)

Hardware module integrity during run-time is a critical functional safety requirement. Hardware Redundancy implemented by the lockstep CPU architecture (two CPUs executing the same function and the output of the CPUs are continuously compared) is a proven method for achieving high diagnostic coverage for both permanent and transient faults. The Lockstep Comparator Module (LCM) is implemented to compare output from the CPU to detect permanent and transient faults.

The LCM implements the following features:

- Pipelined architecture
- Redundant comparison
- Self-test capability
  - Match and mismatch test
  - Error forcing capability
- Temporal redundancy: The operation of the two modules is skewed by two cycles to address the issue of common cause failures like failure of clock, power, and so on. This makes sure of temporal redundancy.
- Spatial redundancy: In the lockstep architecture, module instances are redundantly instantiated and the outputs are compared. Redundant instantiation provides spatial redundancy.
- Non-delayed functional output path to provide non-delayed CPU execution for the system (while still having temporal redundancy).
- Register protection of critical memory mapped registers of the module, using a parity scheme.

The LCM block diagram is shown below.



**Figure 7-23. LCM Block Diagram**

### Note

The *Module* described in this block diagram can be either a CPU (for example, CPU1) or a peripheral (for example, RTDMA) depending on availability for the device.

## 8 Applications, Implementation, and Layout

### 8.1 Reference Design

The TI Reference Design Library is a robust reference design library spanning analog, embedded processor, and connectivity. Created by TI experts to help you jump start your system design, all reference designs include schematic or block diagrams, BOMs, and design files to speed your time to market.

Search and download TI reference designs at [Select TI reference designs](#).

## 9 Device and Documentation Support

### 9.1 Device Nomenclature

Texas Instruments recommends two of three possible prefix designators for its support tools: TMDX and TMDS. These prefixes represent evolutionary stages of product development from engineering prototypes (TMDX) through fully qualified production tools (TMDS).

Device development evolutionary flow:

- X** Experimental device that is not necessarily representative of the final device's electrical specifications and may not use production assembly flow.
- P** Prototype device that is not necessarily the final silicon die and may not necessarily meet final electrical specifications.
- null** Production version of the silicon die that is fully qualified.

Support tool development evolutionary flow:

- TMDX** Development-support product that has not yet completed Texas Instruments internal qualification testing.
- TMDS** Fully-qualified development-support product.

X and P devices and TMDX development-support tools are shipped against the following disclaimer:

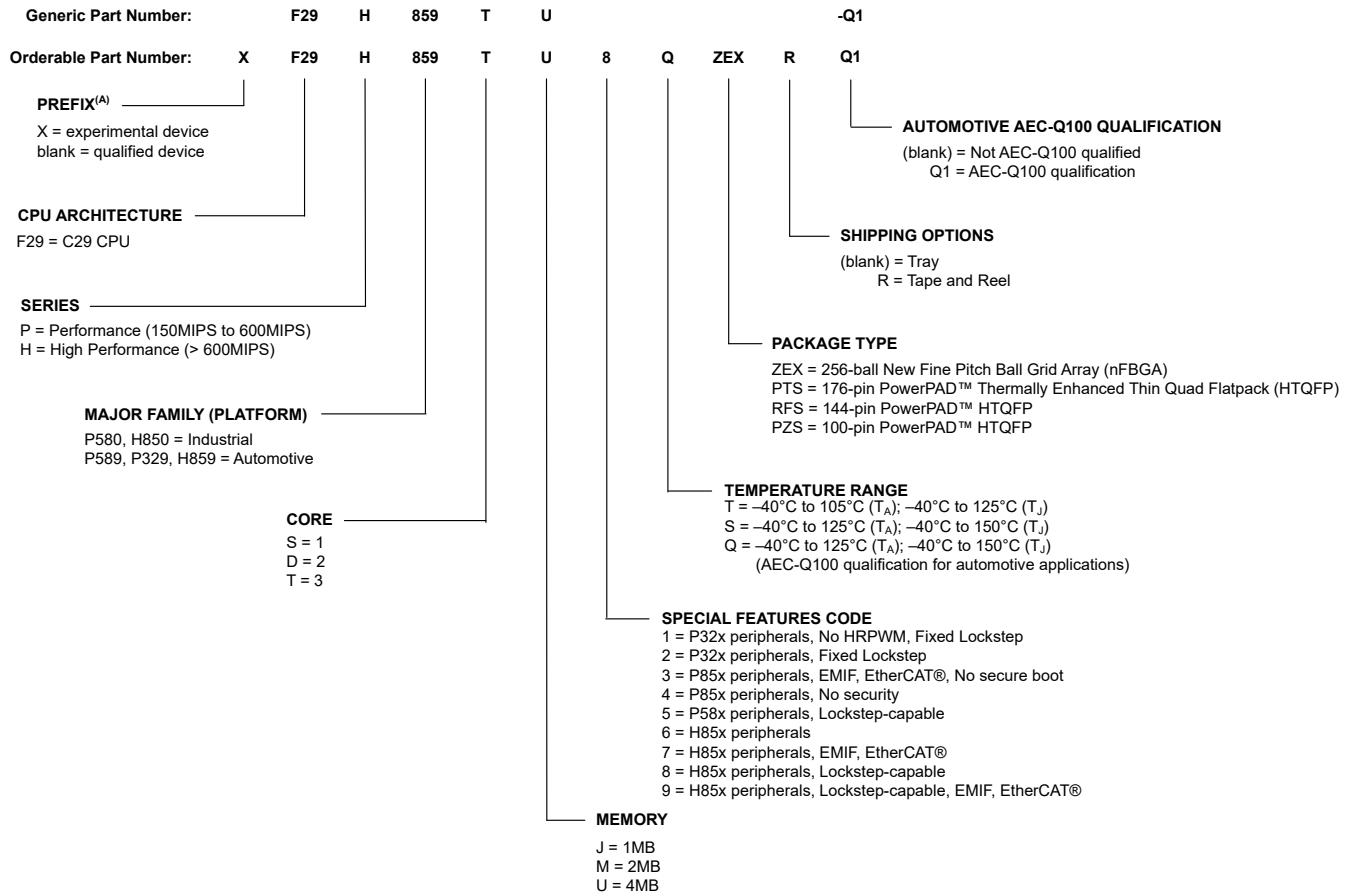
"Developmental product is intended for internal evaluation purposes."

Production devices and TMDS development-support tools have been characterized fully, and the quality and reliability of the device have been demonstrated fully. TI's standard warranty applies.

Predictions show that prototype devices (X or P) have a greater failure rate than the standard production devices. Texas Instruments recommends that these devices not be used in any production system because their expected end-use failure rate still is undefined. Only qualified production devices are to be used.

TI device nomenclature also includes a suffix with the device family name. This suffix indicates the package type (for example, ZEX).

For device part numbers and further ordering information, contact your TI sales representative.

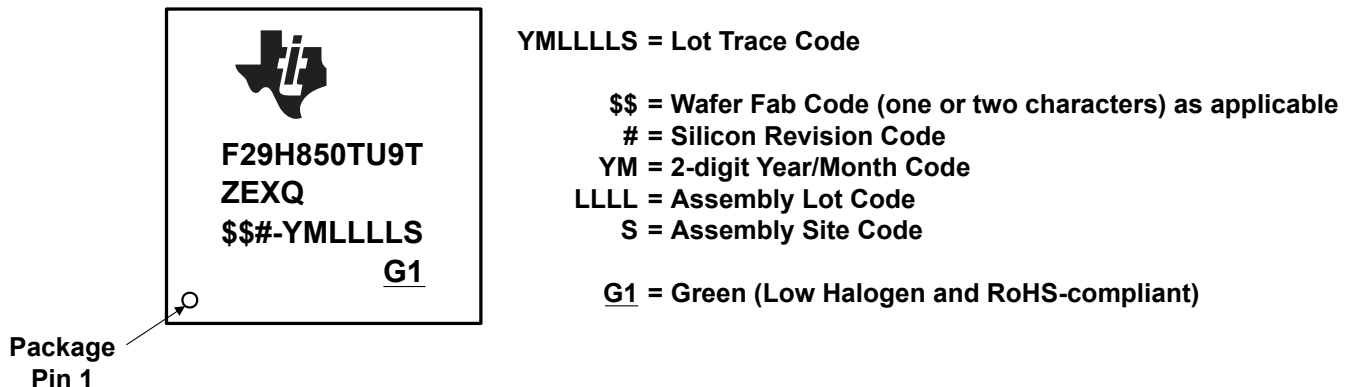


A. Prefix X is used in orderable part numbers.

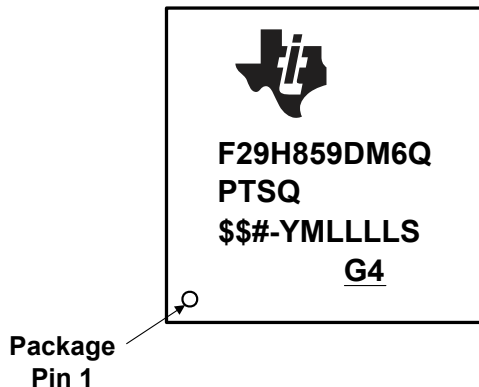
**Figure 9-1. Device Nomenclature**

**9.2 Markings**

Figure 9-2, Figure 9-3, Figure 9-4, and Figure 9-5 show the package symbolization. Table 9-1 lists the silicon revision codes.



**Figure 9-2. Package Symbolization for ZEX Package**

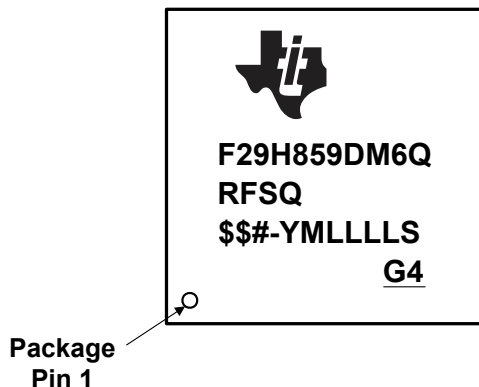


YMLLLLL = Lot Trace Code

\$\$ = Wafer Fab Code (one or two characters) as applicable  
 # = Silicon Revision Code  
 YM = 2-digit Year/Month Code  
 LLLL = Assembly Lot Code  
 S = Assembly Site Code

G4 = Green (Low Halogen and RoHS-compliant)

Figure 9-3. Package Symbolization for PTS Package

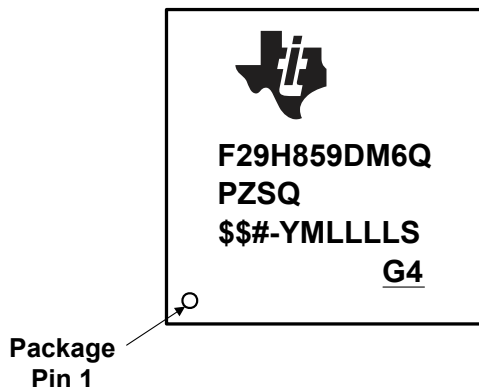


YMLLLLL = Lot Trace Code

\$\$ = Wafer Fab Code (one or two characters) as applicable  
 # = Silicon Revision Code  
 YM = 2-digit Year/Month Code  
 LLLL = Assembly Lot Code  
 S = Assembly Site Code

G4 = Green (Low Halogen and RoHS-compliant)

Figure 9-4. Package Symbolization for RFS Package



YMLLLLL = Lot Trace Code

\$\$ = Wafer Fab Code (one or two characters) as applicable  
 # = Silicon Revision Code  
 YM = 2-digit Year/Month Code  
 LLLL = Assembly Lot Code  
 S = Assembly Site Code

G4 = Green (Low Halogen and RoHS-compliant)

Figure 9-5. Package Symbolization for PZS Package

Table 9-1. Revision Identification

| SILICON REVISION CODE | SILICON REVISION | REVID <sup>(1)</sup><br>Address: 0x3018 0028 | COMMENTS <sup>(2)</sup>                               |
|-----------------------|------------------|----------------------------------------------|-------------------------------------------------------|
| Blank                 | 0                | 0x0000 0001                                  | This silicon revision is available as pre-production. |
| A                     | A                | Not applicable <sup>(3)</sup>                | This silicon revision is available as pre-production. |
| B                     | B                | 0x0000 0003                                  | This silicon revision is available as production      |

(1) Silicon Revision ID  
 (2) For orderable device numbers, see the Packaging Information tables at the end of this data sheet.  
 (3) Refer to the Silicon Revision Code in the Package Symbolization figures.

## 9.3 Tools and Software

TI offers an extensive line of development tools. Some of the tools and software to evaluate the performance of the device, generate code, and develop solutions follow. To view all available tools and software for C2000™ real-time control MCUs, visit the [C2000 real-time control MCUs – Design & development](#) page.

### Development Tools

#### [TI Resource Explorer](#)

To enhance your experience, be sure to check out the TI Resource Explorer to browse examples, libraries, and documentation for your applications.

### Software Tools

#### [F29-SDK Foundational Software Development Kit \(SDK\) for F29 real-time MCUs](#)

The F29x SDKs support the C29x CPU-based family of real-time MCUs. Together, these SDKs provide comprehensive software packages for the development of high-performance real-time control applications. The SDKs enable easy integration of host functionality together with the control, safety and cybersecurity capabilities required for automotive and industrial applications.

#### [DigitalPower SDK](#)

DigitalPower SDK is a cohesive set of software infrastructure, tools, and documentation designed to minimize C2000 MCU-based digital power system development time targeted for various AC-DC, DC-DC and DC-AC power supply applications. The software includes firmware that runs on C2000 digital power evaluation modules (EVMs) and TI reference designs, which are targeted for solar, telecom, server, electric vehicle chargers and industrial power delivery applications. DigitalPower SDK provides all the needed resources at every stage of development and evaluation in a digital power applications.

#### [MotorControl SDK](#)

MotorControl SDK is a cohesive set of software infrastructure, tools, and documentation designed to minimize C2000 MCU-based motor control system development time targeted for various three-phase motor control applications. The software includes firmware that runs on C2000 motor control evaluation modules (EVMs) and TI reference designs, which are targeted for industrial drive and other motor control, MotorControl SDK provides all the needed resources at every stage of development and evaluation for high-performance motor control applications.

#### [Code Composer Studio™ integrated development environment \(IDE\)](#)

Code Composer Studio is an integrated development environment (IDE) for TI's microcontrollers and processors. It comprises a suite of tools used to develop and debug embedded applications. Code Composer Studio is available for download across Windows®, Linux® and macOS® desktops. It can also be used in the cloud by visiting <https://dev.ti.com>. Code Composer Studio includes an optimizing C/C++ compiler, source code editor, project build environment, debugger, profiler and many other features. The intuitive IDE takes you through each step of the application development flow. Familiar tools and interfaces make getting started faster than ever before. The desktop version of Code Composer Studio combines the advantages of the Eclipse software framework with advanced capabilities from TI resulting in a compelling feature-rich environment. The cloud-based Code Composer Studio leverages the Theia application framework enabling development in the cloud without needing to download and install large amounts of software.

[c2000-idea – Open VSX Registry](#) is an integrated development tool designed to enhance development for Texas Instruments' C2000™ microcontrollers. This provides a centralized environment within Visual Studio Code™ and Code Composer Studio™, offering features such as project detection, targeted collateral delivery, and developer efficiency tools. One of the key capabilities is migration support, which helps developers simplify and accelerate migration across C2000 devices.

#### [SysConfig System configuration tool](#)

SysConfig is a comprehensive collection of graphical utilities for configuring pins, peripherals, radios, subsystems, and other components. SysConfig helps you manage, expose and resolve conflicts visually so that you have more time to create differentiated applications. The tool's output includes C header and code files that can be used with software development kit (SDK) examples or used to configure custom software. The

SysConfig tool automatically selects the pinmux settings that satisfy the entered requirements. The SysConfig tool is delivered integrated in CCS, as a stand-alone installer, or can be used via the [dev.ti.com](http://dev.ti.com) cloud tools portal. For more information about the SysConfig system configuration tool, visit the [System configuration tool](#) page.

#### [C2000 Third-party search tool](#)

TI has partnered with multiple companies to offer a wide range of solutions and services for TI C2000 devices. These companies can accelerate your path to production using C2000 devices. Download this search tool to quickly browse third-party details and find the right third-party to meet your needs.

#### [UniFlash flash programming tool](#)

UniFlash is a software tool for programming on-chip flash on TI microcontrollers and wireless connectivity devices and on-board flash for TI processors. UniFlash provides both graphical and command-line interfaces.

### Models

Various models are available for download from the product Design & development pages. These models include I/O Buffer Information Specification (IBIS) Models and Boundary-Scan Description Language (BSDL) Models. To view all available models, visit the *Design tools & simulation* section of the *Design & development* page for each device.

### Training

To help assist design engineers in taking full advantage of the C2000 microcontroller features and performance, TI has developed a variety of training resources. Utilizing the online training materials and downloadable hands-on workshops provides an easy means for gaining a complete working knowledge of the C2000 microcontroller family. These training resources have been designed to decrease the learning curve, while reducing development time, and accelerating product time to market. For more information on the various training resources, visit the [C2000™ real-time control MCUs – Support & training](#) site.

## 9.4 Documentation Support

To receive notification of documentation updates, navigate to the device product folder on [ti.com](http://ti.com). Click on *Notifications* to register and receive a weekly digest of any product information that has changed. For change details, review the revision history included in any revised document.

The current documentation that describes the processor, related peripherals, and other technical collateral follows.

---

#### Note

TI is transitioning to use more inclusive terminology. Some language may be different than what you would expect to see for certain technology areas.

---

### Errata

[F29H85x, F29P58x, and F29P32x Real-Time MCUs Silicon Errata](#) describes known advisories on silicon and provides workarounds.

### Technical Reference Manual

[F29H85x and F29P58x Real-Time Microcontrollers Technical Reference Manual](#) details the integration, the environment, the functional description, and the programming models for each peripheral and subsystem in the F29H85x and F29P58x real-time microcontrollers.

### User's Guides

[F29x Hardware Security Manager \(HSM\) User's Guide](#) The Hardware Security Module (HSM) is a self-contained subsystem within the device that provides security and cryptographic functions. The host C29x subsystem interfaces with the HSM subsystem to perform the cryptographic operations required for code authentication, secure boot, secure firmware upgrades, and encrypted run-time communications.

[F29x Cryptographic Hardware Accelerators User's Guide](#) The Hardware Security Manager (HSM) includes several hardware accelerators to enable fast execution of key cryptographic algorithms. These engines include a Data Transform and Hashing Engine (DTHE), an Advanced Encryption Standard Accelerator, a Public Key Engine (PKE), a Hash Algorithms, and a True Random Number Generator (TRNG).

[C29x CPU and Instruction Set Reference Guide](#) describes the CPU architecture, interrupt, pipeline, addressing modes, safety and security aspects of C29x CPU architecture. This manual also describes emulation features available on these devices.

[TMS320F2837x, TMS320F2838x, TMS320F28P65x Migration to TMS320F29H85x User's Guide](#) describes the hardware and software differences to consider when moving between F2837x, F2838x, F28P65x and F29H85x C2000™ MCUs.

## Peripheral Guides

[C2000 Real-Time Microcontrollers Peripherals Reference Guide](#) describes all the peripherals available for TMS320x28x and F29x devices. This reference guide shows the peripherals used by each device and provides descriptions of the peripherals.

## Tools Guides

[F29H85X controlSOM Evaluation Board User's Guide](#) F29H85X-SOM-EVM is an evaluation and development board for TI C2000™ MCU series of F29H85x and F29P58x devices. Its system-on-module design with three 120-pin high-speed/high-density connectors is ideal for initial evaluation and prototyping.

[F29H85X LaunchPad User's Guide](#) LAUNCHXL-F29H85x is a low-cost development board for the TI C2000™ real-time microcontrollers series of F29 devices. Ideal for initial evaluation and prototyping, it provides a standardized and easy-to-use platform to develop your next application. This extended version LaunchPad™ development kit offers extra pins for development and supports the connection of two BoosterPack™ plug-in modules. As part of the vast TI MCU LaunchPad ecosystem, it is also cross-compatible with a broad range of plug-in modules.

## Application Notes

The [SMT & packaging application notes](#) website lists documentation on TI's surface mount technology (SMT) and application notes on a variety of packaging-related topics.

[Semiconductor Packing Methodology](#) describes the packing methodologies employed to prepare semiconductor devices for shipment to end users.

[Calculating Useful Lifetimes of Embedded Processors](#) provides a methodology for calculating the useful lifetime of TI embedded processors (EPs) under power when used in electronic systems. It is aimed at general engineers who wish to determine if the reliability of the TI EP meets the end system reliability requirement.

[An Introduction to IBIS \(I/O Buffer Information Specification\) Modeling](#) discusses various aspects of IBIS including its history, advantages, compatibility, model generation flow, data requirements in modeling the input/output structures, and future trends.

[Serial Flash Programming on Gen 4 C2000™ Microcontrollers](#) discusses using a flash kernel and ROM loaders for serial programming a device.

[The Essential Guide for Developing With C2000™ Real-Time Microcontrollers](#) provides a deeper look into the components that differentiate the C2000 Microcontroller Unit (MCU) as it pertains to Real-Time Control Systems.

The [Hardware Design Guide for F2800x C2000™ Real-Time MCU Series Application Note](#) is an essential guide for hardware developers using C2000 devices, and helps to streamline the design process while mitigating the potential for faulty designs. Key topics discussed include: power requirements; general-purpose input/output (GPIO) connections; analog inputs and ADC; clocking generation and requirements; and JTAG debugging among many others.

[Implementing Run-Time Safety and Security With the C29x Safety and Security Unit](#) examines the various features of the SSU, and how embedded system developers can use the SSU Tool within SysConfig to design and implement run-time safety and security in real-time applications.

[Enabling Cybersecurity for High Performance Real-Time Control Systems Technical White Paper](#) examines approaches to defend against increasingly sophisticated modern attacks on embedded hardware and software.

## 9.5 Support Resources

[TI E2E™ support forums](#) are an engineer's go-to source for fast, verified answers and design help — straight from the experts. Search existing answers or ask your own question to get the quick design help you need.

Linked content is provided "AS IS" by the respective contributors. They do not constitute TI specifications and do not necessarily reflect TI's views; see TI's [Terms of Use](#).

## 9.6 Trademarks

TMS320C2000™, Code Composer Studio™, and TI E2E™ are trademarks of Texas Instruments.  
Arm® and Cortex® are registered trademarks of Arm Limited (or its subsidiaries) in the US and/or elsewhere.  
EtherCAT® is a registered trademark of Beckhoff Automation GmbH, Germany.  
are registered trademarks of Arm Limited (or its subsidiaries or affiliates) in the US and/or elsewhere.  
Windows® is a registered trademark of Microsoft Corporation.  
Linux® is a registered trademark of Linus Torvalds.  
macOS® is a registered trademark of Apple Inc.  
All trademarks are the property of their respective owners.

## 9.7 Electrostatic Discharge Caution



This integrated circuit can be damaged by ESD. Texas Instruments recommends that all integrated circuits be handled with appropriate precautions. Failure to observe proper handling and installation procedures can cause damage.

ESD damage can range from subtle performance degradation to complete device failure. Precision integrated circuits may be more susceptible to damage because very small parametric changes could cause the device not to meet its published specifications.

## 9.8 Glossary

[TI Glossary](#) This glossary lists and explains terms, acronyms, and definitions.

## 10 Revision History

### Changes from September 30, 2025 to November 30, 2025

Page

|                                                                                                                        |     |
|------------------------------------------------------------------------------------------------------------------------|-----|
| • <i>Features</i> section, Added PMIC section.....                                                                     | 1   |
| • <i>Related Products</i> section: Added reference to <i>TPS653860-Q1</i> and <i>TPS650366-Q1</i> reference links..... | 13  |
| • Updated GPIO Mux Table.....                                                                                          | 97  |
| • <i>System Current Consumption VREG Disable - External Supply</i> table: Updated operating currents tables...         | 110 |
| • Added Flash MAIN Region Address Map for 1MB device.....                                                              | 278 |

**Changes from June 7, 2025 to September 30, 2025**

**Page**

|                                                                                                                                                                                                                   |            |
|-------------------------------------------------------------------------------------------------------------------------------------------------------------------------------------------------------------------|------------|
| • <b>This Revision History lists the changes from SPRSP93A to SPRSP93B.</b> .....                                                                                                                                 | <b>1</b>   |
| • <i>Features</i> section: Changed "CPU1 and CPU2 splitlock and lockstep support" feature to "CPU1 and CPU2 lockstep". Added details to feature.....                                                              | <b>1</b>   |
| • <i>Applications</i> section: Added "HEV/EV powertrain integration" application.....                                                                                                                             | <b>3</b>   |
| • <i>Description</i> section: Updated section.....                                                                                                                                                                | <b>3</b>   |
| • <i>Package Information</i> table: Updated table.....                                                                                                                                                            | <b>3</b>   |
| • <i>Device Information</i> table: Updated table.....                                                                                                                                                             | <b>3</b>   |
| • <i>Device Comparison</i> table: Updated table and footnote about Preview information.....                                                                                                                       | <b>8</b>   |
| • <i>Pin Attributes (F29H85x and F29P58x)</i> table: Updated table.....                                                                                                                                           | <b>14</b>  |
| • <i>Analog Signals</i> table: Updated table.....                                                                                                                                                                 | <b>69</b>  |
| • <i>Power and Ground</i> table: Deleted table. Descriptions of Power and Ground pins have been added to the <i>Pin Attributes (F29H85x and F29P58x)</i> table and <i>Pin Attributes (F29P32x)</i> table.....     | <b>69</b>  |
| • <i>GPIO Muxed Pins</i> table: Updated table.....                                                                                                                                                                | <b>96</b>  |
| • <i>System Current Consumption VREG Disable - External Supply</i> table: Updated table.....                                                                                                                      | <b>110</b> |
| • <i>System Current Consumption VREG Enabled</i> table: Updated table.....                                                                                                                                        | <b>110</b> |
| • <i>Power Management Module Characteristics</i> table: Updated table.....                                                                                                                                        | <b>128</b> |
| • <i>C29 Flash Parameters</i> table: Updated table.....                                                                                                                                                           | <b>144</b> |
| • <i>HSM Flash Parameters</i> table: Updated table.....                                                                                                                                                           | <b>144</b> |
| • <i>Analog Pin Connections</i> table: Updated table.....                                                                                                                                                         | <b>173</b> |
| • <i>Analog-to-Digital Converter (ADC)</i> section: Updated "Each ADC module consists of a single sample-and-hold (S/H) circuit ..." paragraph.....                                                               | <b>177</b> |
| • <i>ADC Performance Per Pin</i> section: Added section.....                                                                                                                                                      | <b>191</b> |
| • <i>High-Resolution PWM Characteristics</i> table: Changed TYP value from 100 ps to 75 ps.....                                                                                                                   | <b>225</b> |
| • <i>eQEP Block Diagram</i> : Updated diagram.....                                                                                                                                                                | <b>225</b> |
| • <i>eQEP Switching Characteristics</i> table: Added table.....                                                                                                                                                   | <b>227</b> |
| • <i>Overview</i> section: Updated section.....                                                                                                                                                                   | <b>264</b> |
| • <i>Introduction</i> section: Updated "The Error Signaling Module (ESM) provides systematic consolidation of responses ..." paragraph. Added "The ESM provides comprehensive error reporting ..." paragraph..... | <b>267</b> |
| • <i>Error Handling Architecture</i> figure: Added figure.....                                                                                                                                                    | <b>267</b> |
| • <i>Peripheral Registers Memory Map</i> table: Updated table.....                                                                                                                                                | <b>283</b> |
| • <i>Device Identification Registers</i> table: Added Silicon revision number of silicon Revision B.....                                                                                                          | <b>296</b> |
| • <i>Device Boot Flow from Reset to System Boot</i> figure: Updated figure.....                                                                                                                                   | <b>305</b> |
| • <i>System Boot Flow to Application Code</i> figure: Updated figure.....                                                                                                                                         | <b>305</b> |
| • <i>Emulation Boot Flow</i> figure: Updated figure.....                                                                                                                                                          | <b>307</b> |
| • <i>Stand-alone Boot Flow</i> figure: Updated figure.....                                                                                                                                                        | <b>308</b> |
| • <i>Device Nomenclature</i> figure: Updated Special Features Codes.....                                                                                                                                          | <b>332</b> |
| • <i>Revision Identification</i> table: Updated REVID of silicon revision A. Added silicon revision B. Added "Refer to the Silicon Revision Code ..." footnote.....                                               | <b>333</b> |

## 11 Mechanical, Packaging, and Orderable Information

### 11.1 Packaging Information

The following pages include mechanical, packaging, and orderable information. This information is the most current data available for the designated devices. This data is subject to change without notice and revision of this document. For browser-based versions of this data sheet, refer to the left-hand navigation.

To learn more about TI packaging, visit the [Packaging](#) website.

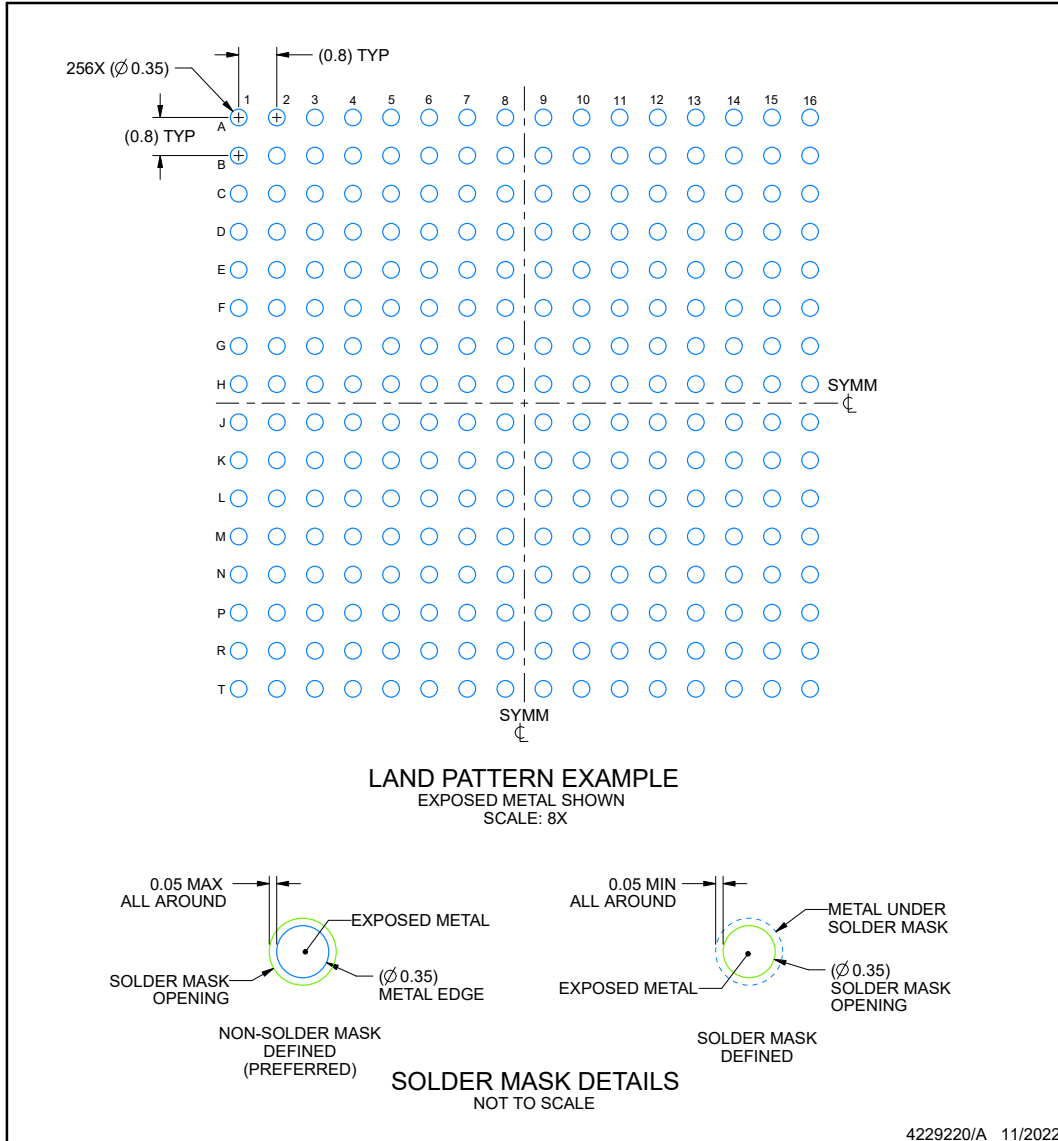


**EXAMPLE BOARD LAYOUT**

**ZEX0256A**

**NFBGA - 1.3 mm max height**

PLASTIC BALL GRID ARRAY



NOTES: (continued)

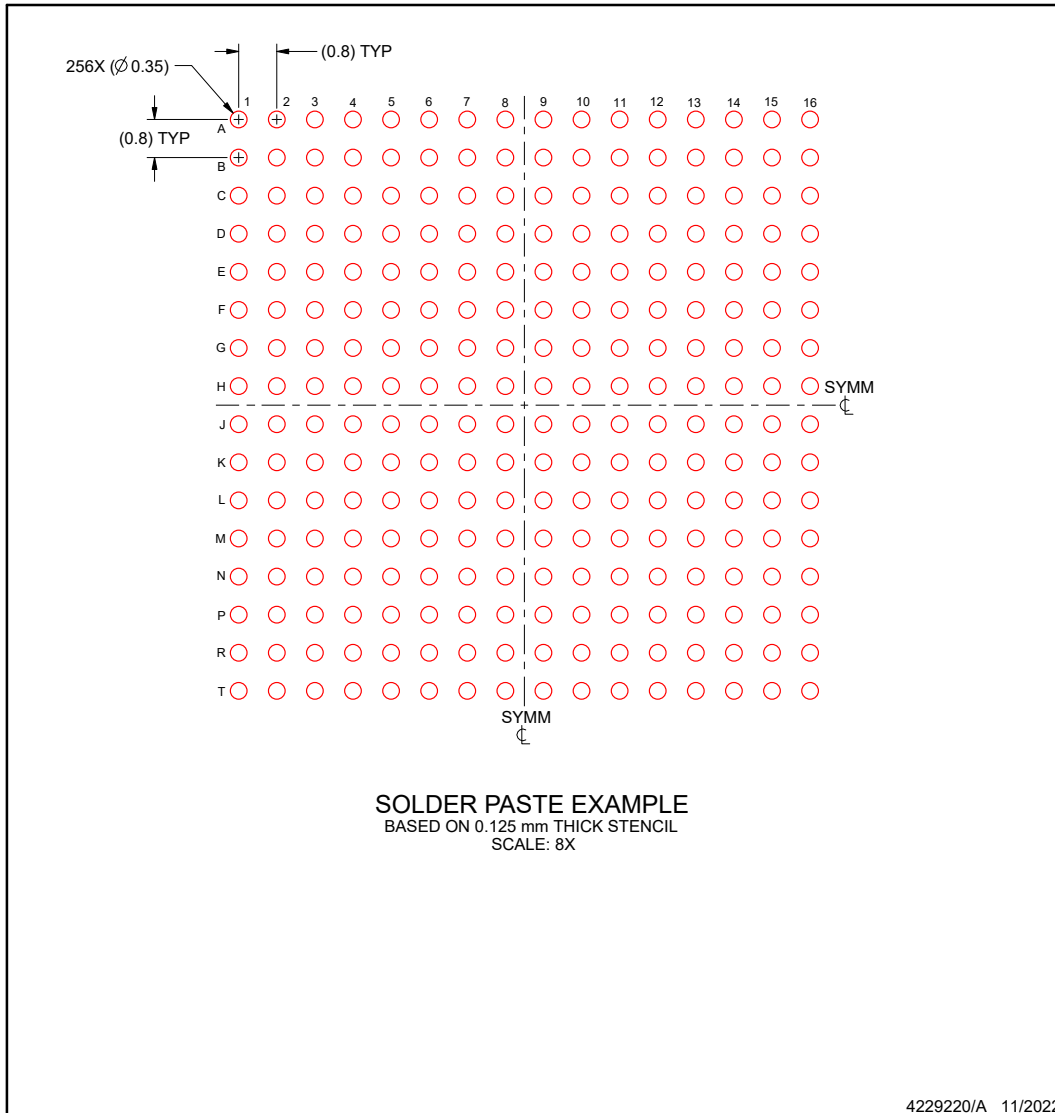
- 3. Final dimensions may vary due to manufacturing tolerance considerations and also routing constraints. For information, see Texas Instruments literature number SPRAA99 ([www.ti.com/lit/spraa99](http://www.ti.com/lit/spraa99)).

## EXAMPLE STENCIL DESIGN

**ZEX0256A**

**NFBGA - 1.3 mm max height**

PLASTIC BALL GRID ARRAY



NOTES: (continued)

4. Laser cutting apertures with trapezoidal walls and rounded corners may offer better paste release.

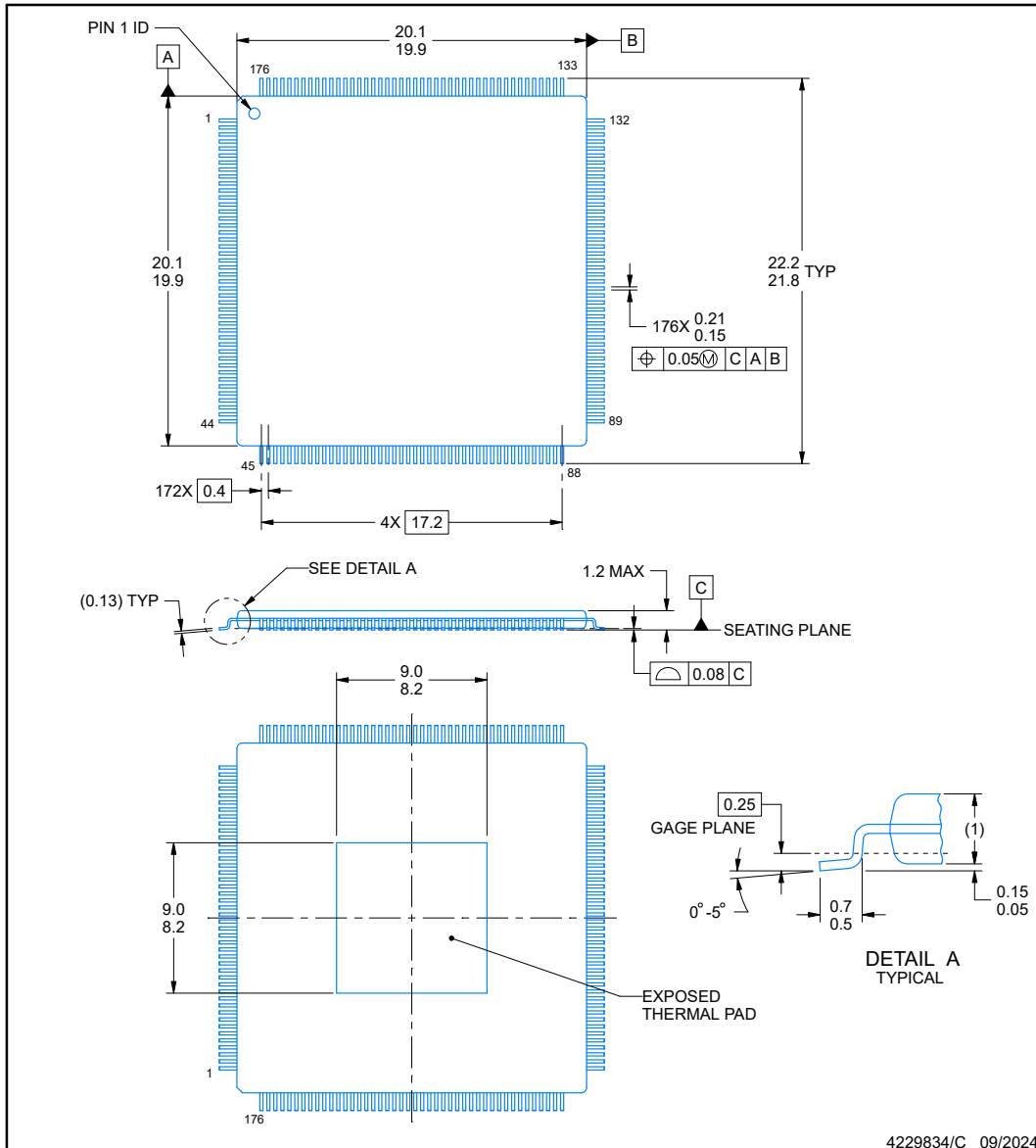


**PACKAGE OUTLINE**

**PTS0176A**

**PowerPAD™ HTQFP - 1.2 mm max height**

FPLASSTIC QWLPAD FFLAATFPACKK



**NOTES:**

1. All linear dimensions are in millimeters. Any dimensions in parenthesis are for reference only. Dimensioning and tolerancing per ASME Y14.5M.
2. This drawing is subject to change without notice.
3. Reference JEDEC registration MS-026.
4. Strap features may not be present.

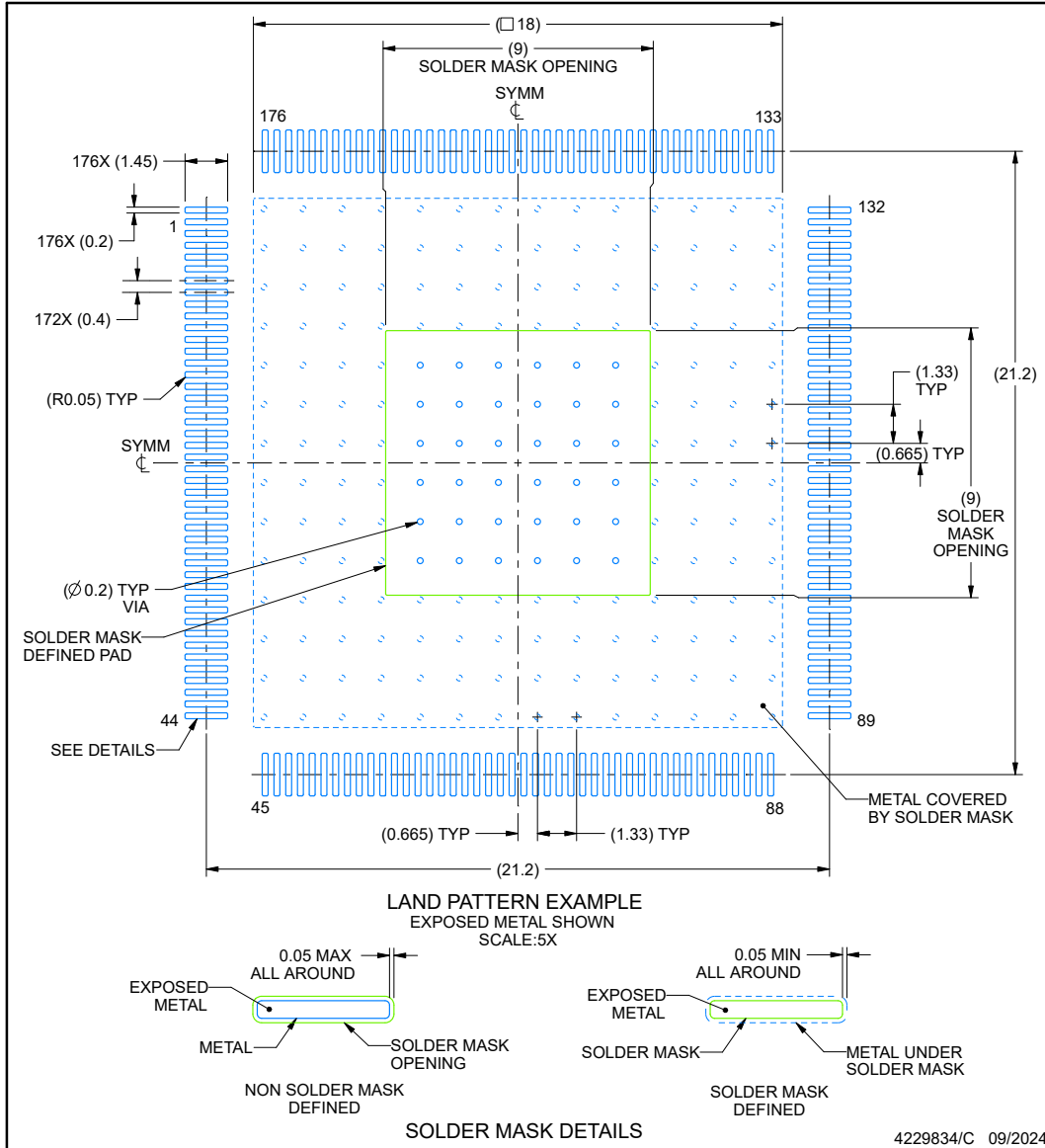
4229834/C 09/2024  
PowerPAD is a trademark of Texas Instruments.

## EXAMPLE BOARD LAYOUT

**PTS0176A**

**PowerPAD™ HTQFP - 1.2 mm max height**

PLASTIC QUAD FLATPACK



NOTES: (continued)

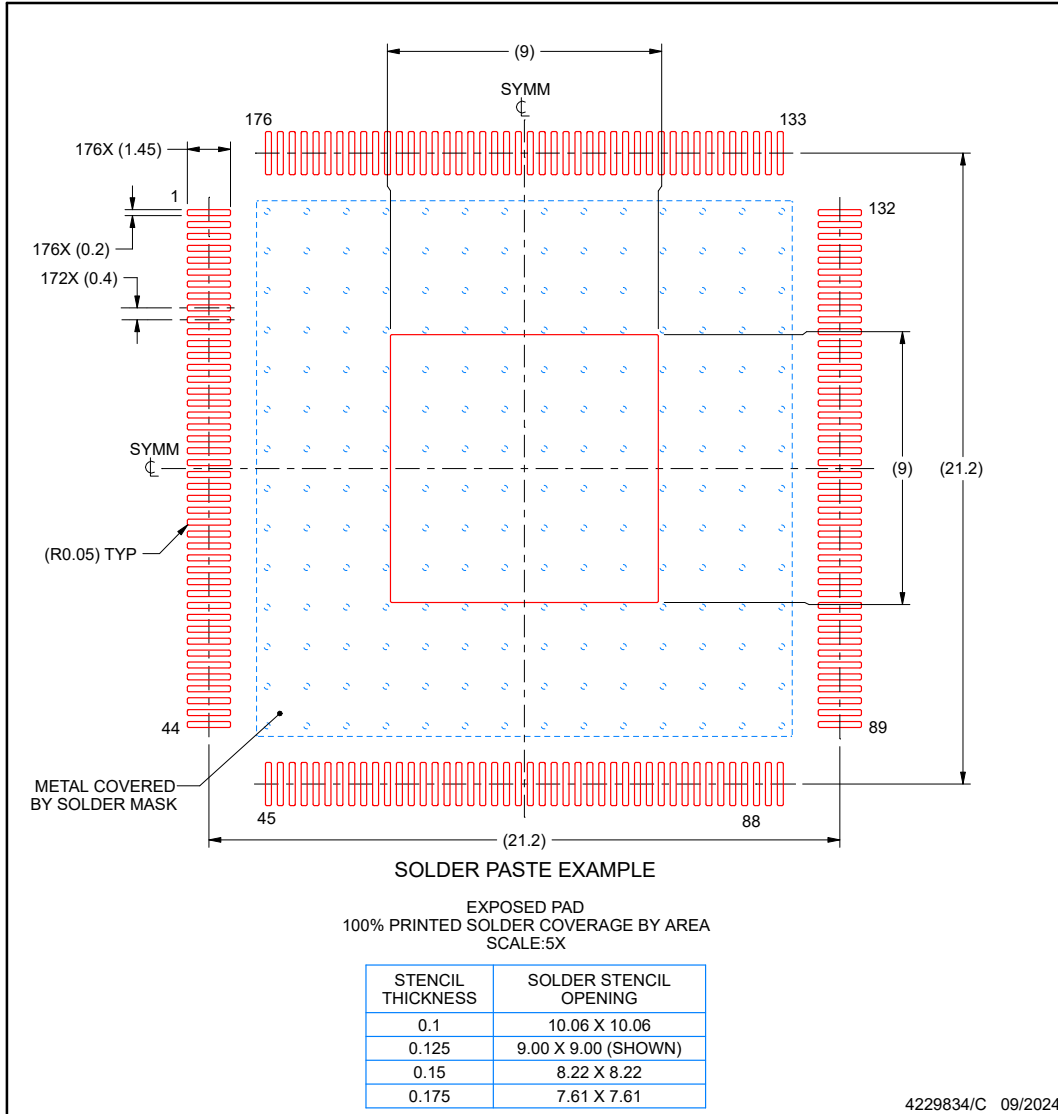
5. Publication IPC-7351 may have alternate designs.
6. Solder mask tolerances between and around signal pads can vary based on board fabrication site.
7. Vias are optional depending on application, refer to device data sheet. If some or all are implemented, recommended via locations are shown.
8. This package is designed to be soldered to a thermal pad on the board. For more information, see Texas Instruments literature numbers SLMA002 ([www.ti.com/lit/slma002](http://www.ti.com/lit/slma002)) and SLMA004 ([www.ti.com/lit/slma004](http://www.ti.com/lit/slma004)).

**EXAMPLE STENCIL DESIGN**

**PTS0176A**

**PowerPAD™ HTQFP - 1.2 mm max height**

PLASTIC QUAD FLATPACK



NOTES: (continued)

- 9. Laser cutting apertures with trapezoidal walls and rounded corners may offer better paste release. IPC-7525 may have alternate design recommendations.
- 10. Board assembly site may have different recommendations for stencil design.

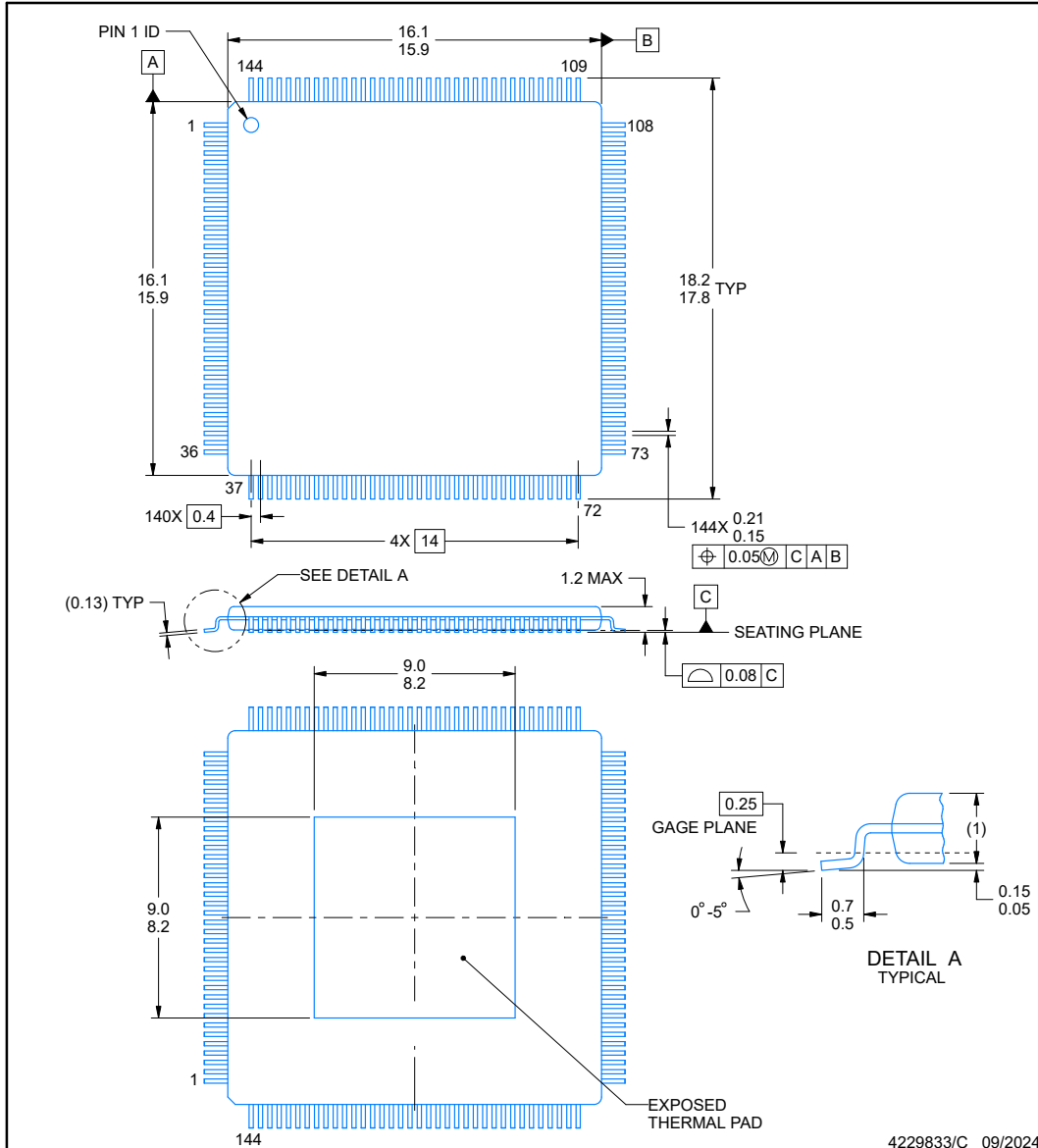


**PACKAGE OUTLINE**

**RFS0144A**

**PowerPAD™ HTQFP - 1.2 mm max height**

FPLASSTIC QWLPAD FFLAATFPACKK



**NOTES:**

1. All linear dimensions are in millimeters. Any dimensions in parenthesis are for reference only. Dimensioning and tolerancing per ASME Y14.5M.
2. This drawing is subject to change without notice.
3. Reference JEDEC registration MS-026.
4. Strap features may not be present.

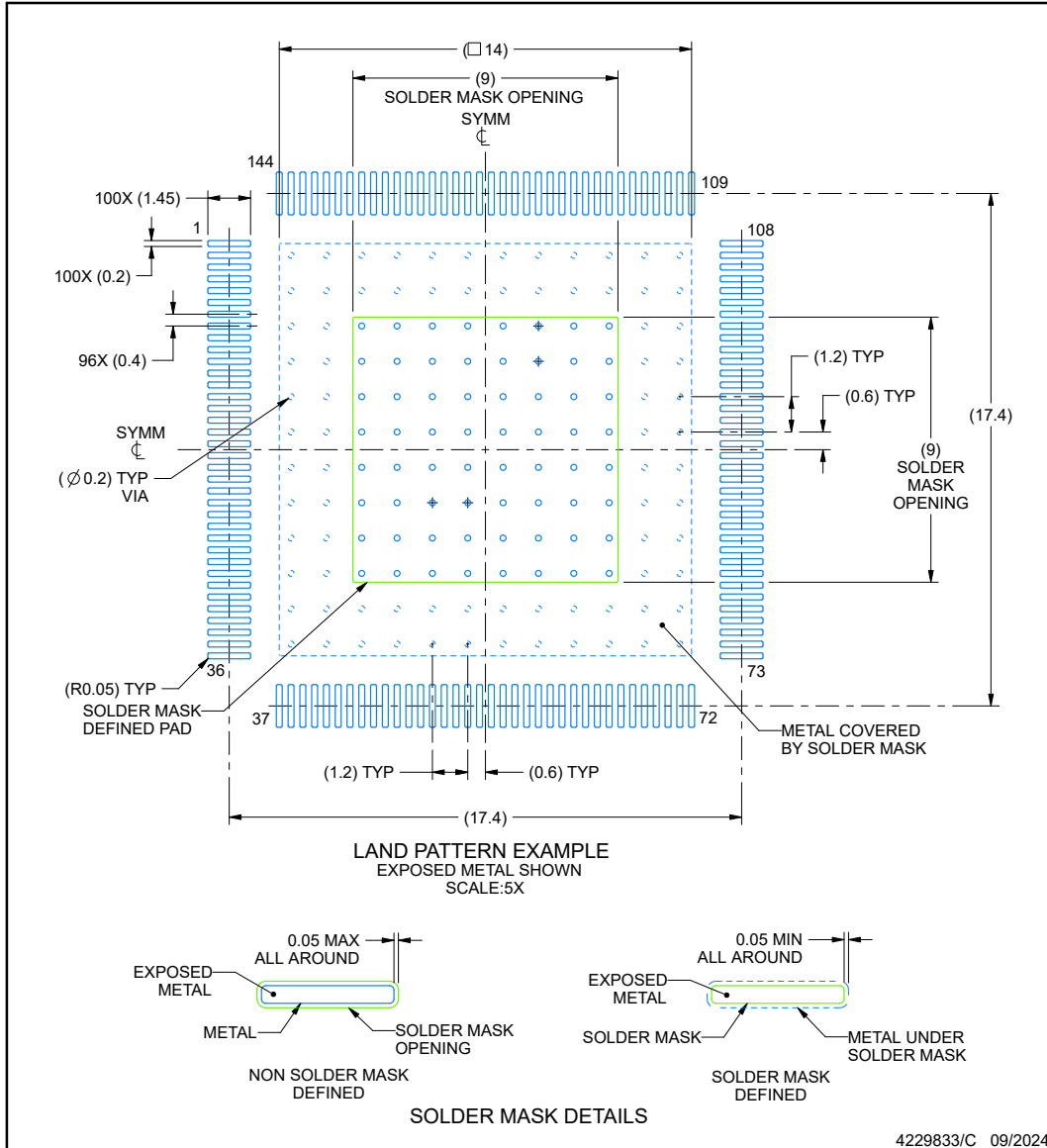
PowerPAD is a trademark of Texas Instruments.

**EXAMPLE BOARD LAYOUT**

**RFS0144A**

**PowerPAD™ HTQFP - 1.2 mm max height**

PLASTIC QUAD FLATPACK



NOTES: (continued)

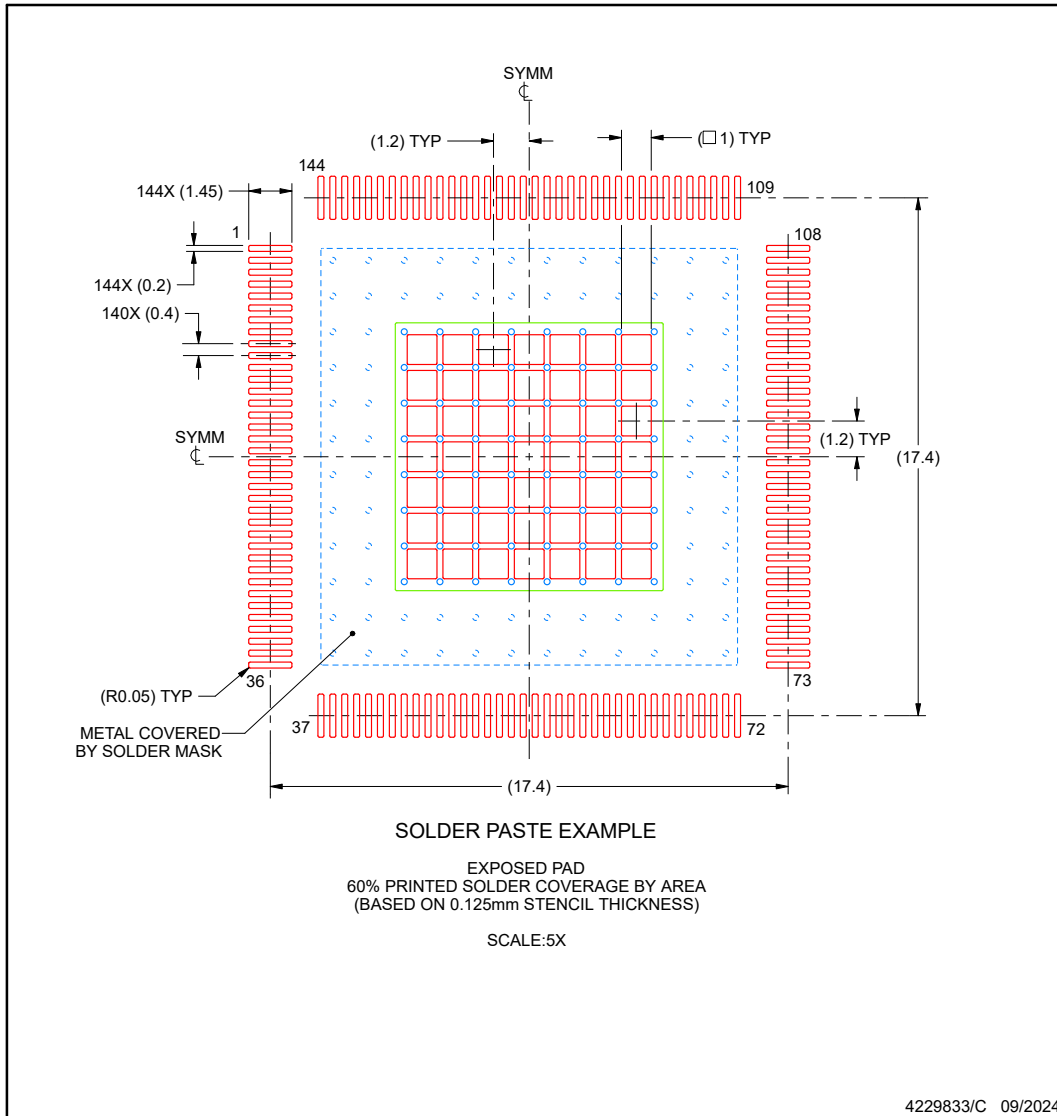
5. Publication IPC-7351 may have alternate designs.
6. Solder mask tolerances between and around signal pads can vary based on board fabrication site.
7. Vias are optional depending on application, refer to device data sheet. If some or all are implemented, recommended via locations are shown.
8. This package is designed to be soldered to a thermal pad on the board. For more information, see Texas Instruments literature numbers SLMA002 ([www.ti.com/lit/slma002](http://www.ti.com/lit/slma002)) and SLMA004 ([www.ti.com/lit/slma004](http://www.ti.com/lit/slma004)).

## EXAMPLE STENCIL DESIGN

**RFS0144A**

**PowerPAD™ HTQFP - 1.2 mm max height**

PLASTIC QUAD FLATPACK



NOTES: (continued)

9. Laser cutting apertures with trapezoidal walls and rounded corners may offer better paste release. IPC-7525 may have alternate design recommendations.
10. Board assembly site may have different recommendations for stencil design.

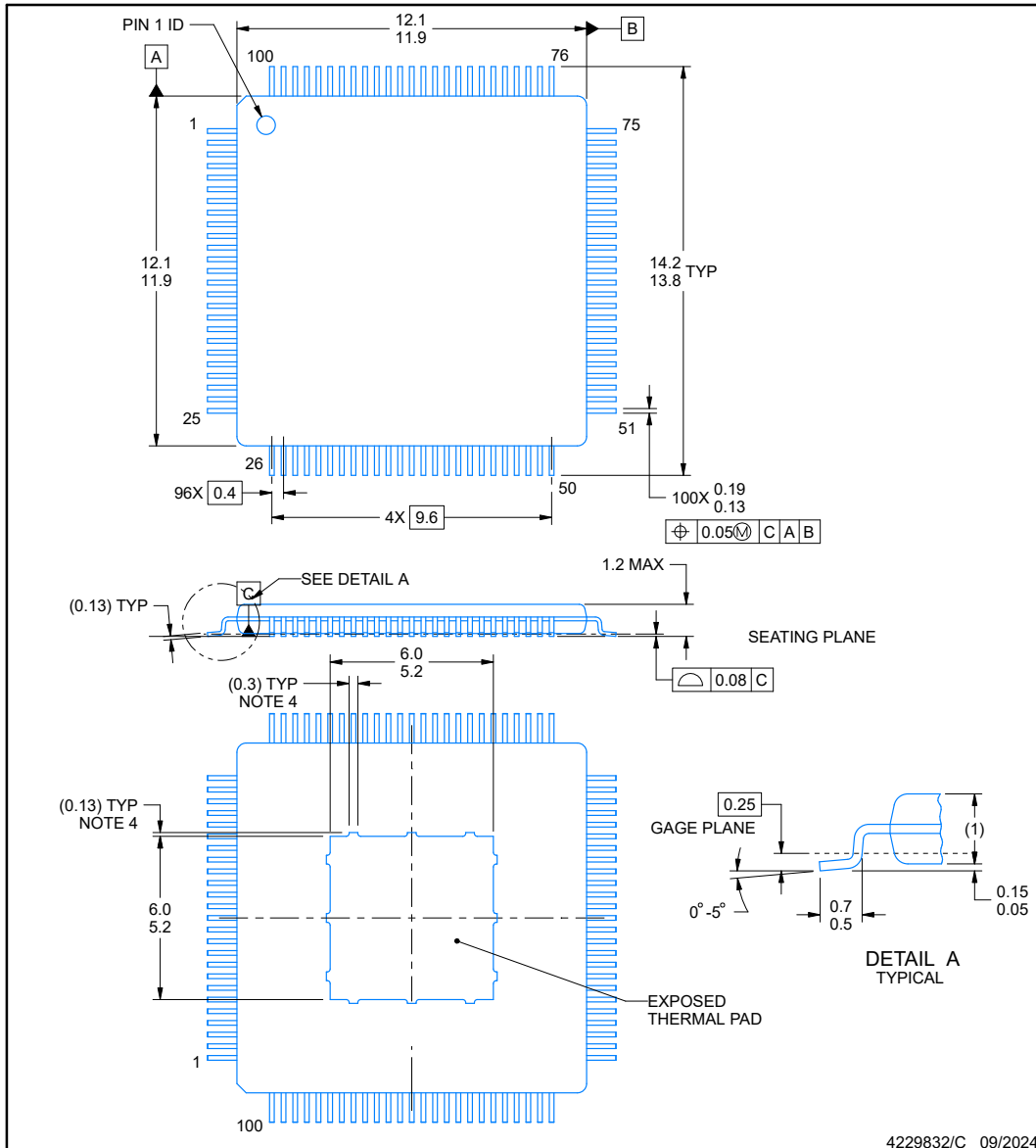


**PACKAGE OUTLINE**

**PZS0100A**

**PowerPAD™ HTQFP - 1.2 mm max height**

FPLASSTIC/COIL/PAID/FPLAATIFPACKK



4229832/C 09/2024

PowerPAD is a trademark of Texas Instruments.

**NOTES:**

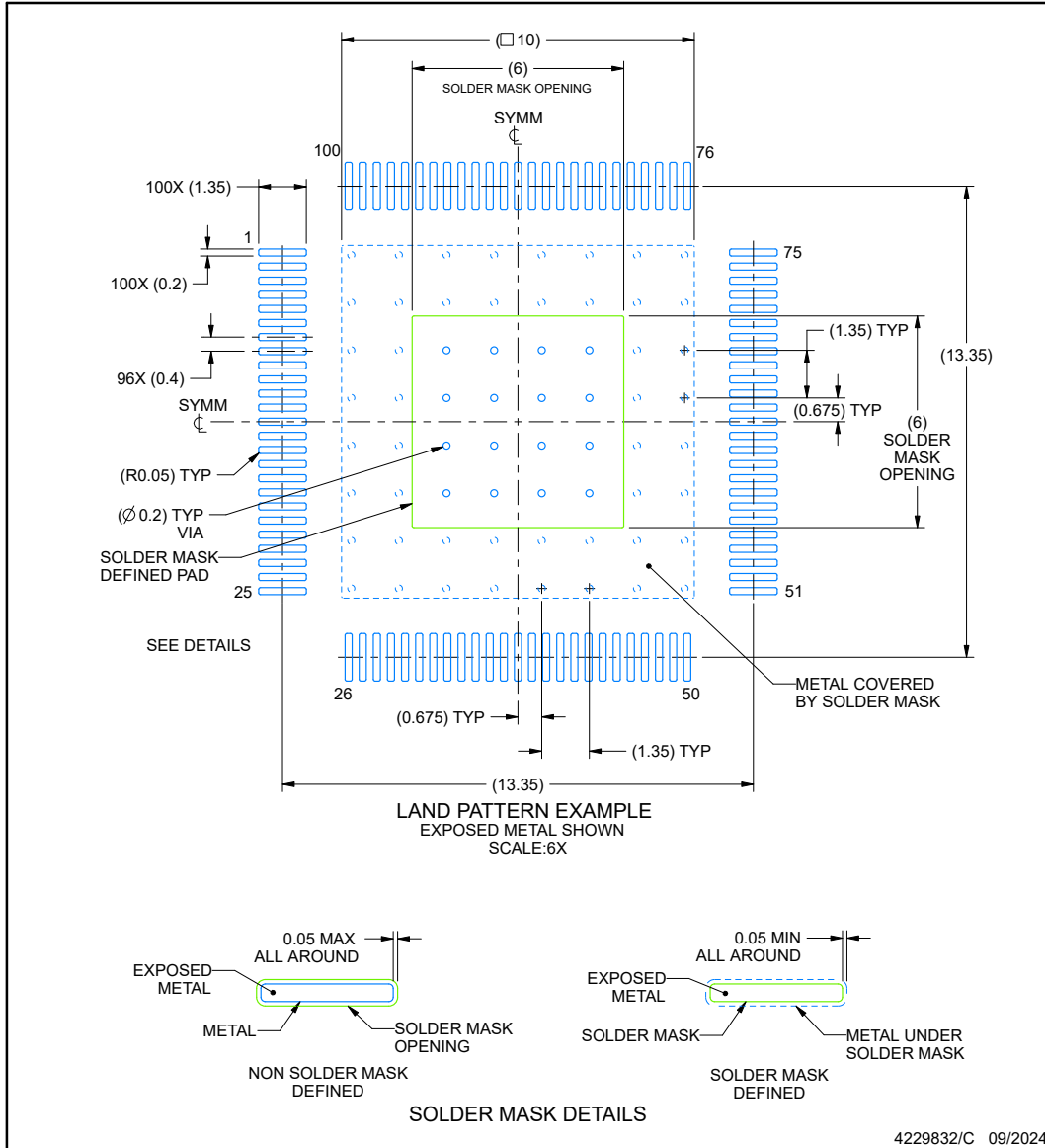
1. All linear dimensions are in millimeters. Any dimensions in parenthesis are for reference only. Dimensioning and tolerancing per ASME Y14.5M.
2. This drawing is subject to change without notice.
3. Reference JEDEC registration MS-026.
4. Strap features may not be present.

**EXAMPLE BOARD LAYOUT**

**PZS0100A**

**PowerPAD™ HTQFP - 1.2 mm max height**

PLASTIC QUAD FLATPACK



NOTES: (continued)

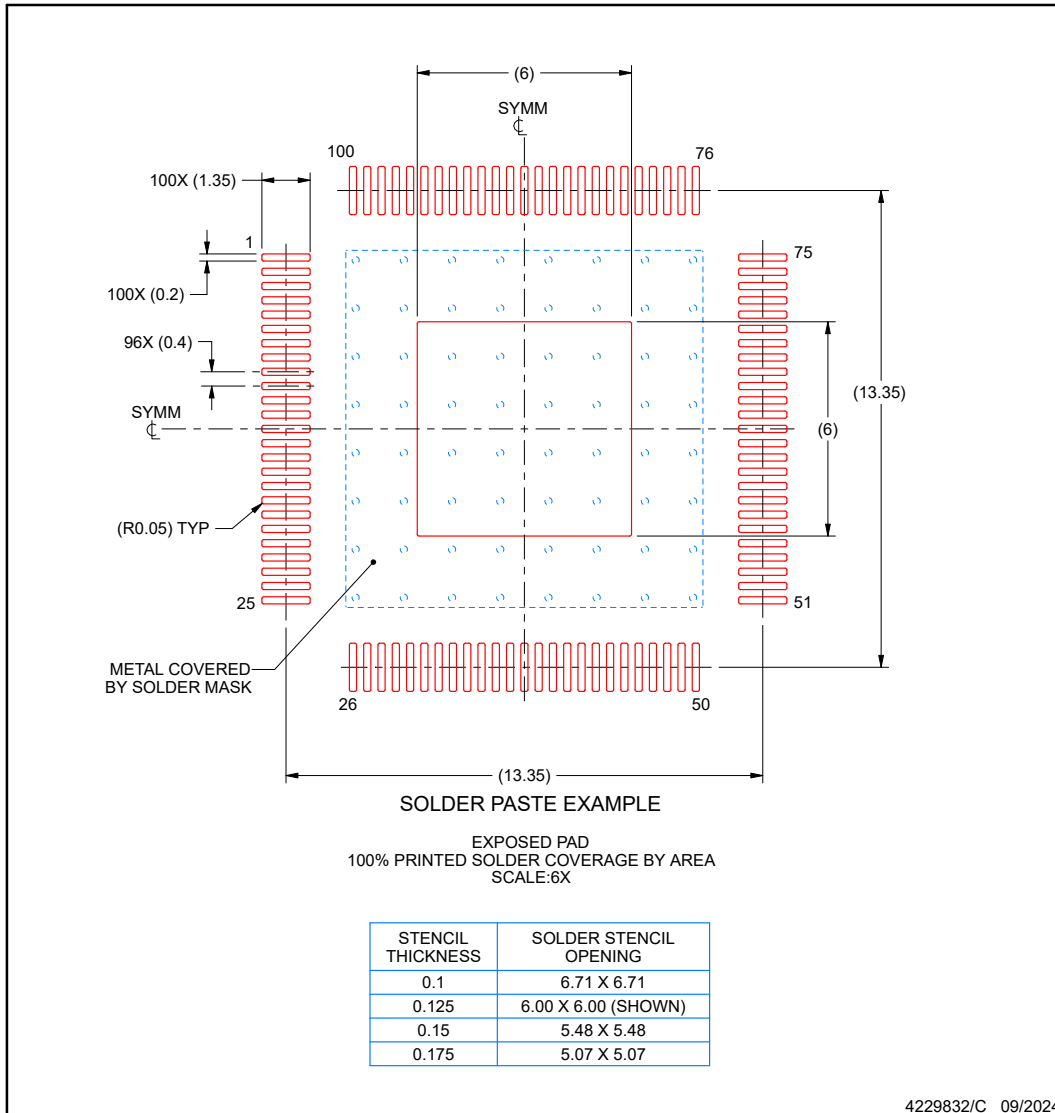
5. Publication IPC-7351 may have alternate designs.
6. Solder mask tolerances between and around signal pads can vary based on board fabrication site.
7. Vias are optional depending on application, refer to device data sheet. If some or all are implemented, recommended via locations are shown.
8. This package is designed to be soldered to a thermal pad on the board. For more information, see Texas Instruments literature numbers SLMA002 ([www.ti.com/lit/slma002](http://www.ti.com/lit/slma002)) and SLMA004 ([www.ti.com/lit/slma004](http://www.ti.com/lit/slma004)).

### EXAMPLE STENCIL DESIGN

**PZS0100A**

**PowerPAD™ HTQFP - 1.2 mm max height**

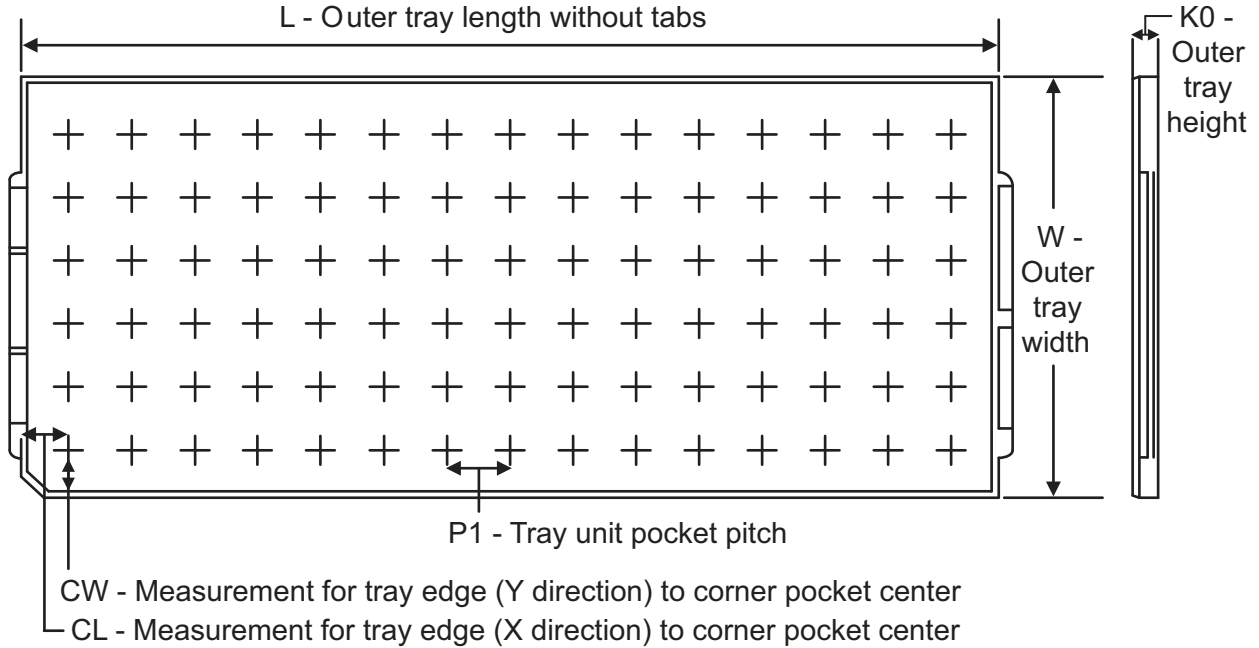
PLASTIC QUAD FLATPACK



NOTES: (continued)

- 9. Laser cutting apertures with trapezoidal walls and rounded corners may offer better paste release. IPC-7525 may have alternate design recommendations.
- 10. Board assembly site may have different recommendations for stencil design.

## TRAY



Chamfer on Tray corner indicates Pin 1 orientation of packed units.

All dimensions are nominal.

| Device            | Package Type | Package Name | Pins | SPQ | Unit Array Matrix | Max Temp. (Deg C) | L (mm) | W (mm) | K0 (µm) | P1 (mm) | CL (mm) | CW (mm) |
|-------------------|--------------|--------------|------|-----|-------------------|-------------------|--------|--------|---------|---------|---------|---------|
| <b>F29H85x</b>    |              |              |      |     |                   |                   |        |        |         |         |         |         |
| XF29H859TU8QZEXQ1 | nFBGA        | ZEX          | 256  | 119 | 7 x 17            | 150               | 315    | 135.9  | 7620    | 18.1    | 12.7    | 12.9    |
| XF29H850TU9TZEX   | nFBGA        | ZEX          | 256  | 119 | 7 x 17            | 150               | 315    | 135.9  | 7620    | 18.1    | 12.7    | 12.9    |
| XF29H859TU8QPZSQ1 | HTQFP        | PTS          | 176  | 96  | 6 x 16            | 150               | 315    | 135.9  | 7620    | 20.7    | 30.4    | 20.7    |
| XF29H850TU9SPZSQ1 | HTQFP        | PTS          | 176  | 96  | 6 x 16            | 150               | 315    | 135.9  | 7620    | 20.7    | 30.4    | 20.7    |
| XF29H859TU8QRFSQ1 | HTQFP        | RFS          | 144  | 84  | 6 x 14            | 150               | 315    | 135.9  | 7620    | 22      | 14.5    | 14.45   |
| XF29H850TU9SRFS   | HTQFP        | RFS          | 144  | 84  | 6 x 14            | 150               | 315    | 135.9  | 7620    | 22      | 14.5    | 14.45   |
| XF29H859TU8QPZSQ1 | HTQFP        | PZS          | 100  | 90  | 6 x 15            | 150               | 315    | 135.9  | 7620    | 15.4    | 20.3    | 21      |
| <b>F29P58x</b>    |              |              |      |     |                   |                   |        |        |         |         |         |         |
| XF29P589DU5QZEXQ1 | nFBGA        | ZEX          | 256  | 119 | 7 x 17            | 150               | 315    | 135.9  | 7620    | 18.1    | 12.7    | 12.9    |
| XF29P589DU5QPZSQ1 | HTQFP        | PTS          | 176  | 96  | 6 x 16            | 150               | 315    | 135.9  | 7620    | 20.7    | 30.4    | 20.7    |
| XF29P589DU5QRFSQ1 | HTQFP        | RFS          | 144  | 84  | 6 x 14            | 150               | 315    | 135.9  | 7620    | 22      | 14.5    | 14.45   |
| XF29P580DM5SRFS   | HTQFP        | RFS          | 144  | 84  | 6 x 14            | 150               | 315    | 135.9  | 7620    | 22      | 14.5    | 14.45   |
| XF29P589DU5QPZSQ1 | HTQFP        | PZS          | 100  | 90  | 6 x 15            | 150               | 315    | 135.9  | 7620    | 15.4    | 20.3    | 21      |

**PACKAGING INFORMATION**

| Orderable part number             | Status<br>(1) | Material type<br>(2) | Package   Pins    | Package qty   Carrier   | RoHS<br>(3) | Lead finish/<br>Ball material<br>(4) | MSL rating/<br>Peak reflow<br>(5) | Op temp (°C)           | Part marking<br>(6) |
|-----------------------------------|---------------|----------------------|-------------------|-------------------------|-------------|--------------------------------------|-----------------------------------|------------------------|---------------------|
| <a href="#">XF29H850TU9SPTS</a>   | Active        | Preproduction        | HTQFP (PTS)   176 | 60   JEDEC TRAY (10+1)  | -           | Call TI                              | Call TI                           | -40 to 125             |                     |
| XF29H850TU9SPTS.A                 | Active        | Preproduction        | HTQFP (PTS)   176 | 60   JEDEC TRAY (10+1)  | -           | Call TI                              | Call TI                           | See<br>XF29H850TU9SPTS |                     |
| <a href="#">XF29H850TU9SRFS</a>   | Active        | Preproduction        | HTQFP (RFS)   144 | 84   JEDEC TRAY (10+1)  | -           | Call TI                              | Call TI                           | -40 to 125             |                     |
| XF29H850TU9SRFS.A                 | Active        | Preproduction        | HTQFP (RFS)   144 | 84   JEDEC TRAY (10+1)  | -           | Call TI                              | Call TI                           | See<br>XF29H850TU9SRFS |                     |
| <a href="#">XF29H850TU9TZEX</a>   | Active        | Preproduction        | NFBGA (ZEX)   256 | 119   JEDEC TRAY (10+1) | -           | Call TI                              | Call TI                           | -40 to 125             |                     |
| XF29H850TU9TZEX.A                 | Active        | Preproduction        | NFBGA (ZEX)   256 | 119   JEDEC TRAY (10+1) | -           | Call TI                              | Call TI                           | See<br>XF29H850TU9TZEX |                     |
| <a href="#">XF29H859TU8QPTSQ1</a> | Active        | Preproduction        | HTQFP (PTS)   176 | 60   JEDEC TRAY (10+1)  | -           | Call TI                              | Call TI                           | -40 to 125             |                     |
| XF29H859TU8QPTSQ1.A               | Active        | Preproduction        | HTQFP (PTS)   176 | 60   JEDEC TRAY (10+1)  | -           | Call TI                              | Call TI                           | -40 to 125             |                     |
| <a href="#">XF29H859TU8QPZSQ1</a> | Active        | Preproduction        | HTQFP (PZS)   100 | 119   JEDEC TRAY (10+1) | -           | Call TI                              | Call TI                           | -40 to 125             |                     |
| XF29H859TU8QPZSQ1.A               | Active        | Preproduction        | HTQFP (PZS)   100 | 119   JEDEC TRAY (10+1) | -           | Call TI                              | Call TI                           | -40 to 125             |                     |
| <a href="#">XF29H859TU8QRFSQ1</a> | Active        | Preproduction        | HTQFP (RFS)   144 | 420   JEDEC TRAY (5+1)  | -           | Call TI                              | Call TI                           | -40 to 125             |                     |
| XF29H859TU8QRFSQ1.A               | Active        | Preproduction        | HTQFP (RFS)   144 | 420   JEDEC TRAY (5+1)  | -           | Call TI                              | Call TI                           | -40 to 125             |                     |
| <a href="#">XF29H859TU8QZEXQ1</a> | Active        | Preproduction        | NFBGA (ZEX)   256 | 119   JEDEC TRAY (10+1) | -           | Call TI                              | Call TI                           | -40 to 125             |                     |
| XF29H859TU8QZEXQ1.A               | Active        | Preproduction        | NFBGA (ZEX)   256 | 119   JEDEC TRAY (10+1) | -           | Call TI                              | Call TI                           | -40 to 125             |                     |
| <a href="#">XF29P329SM2QPZSQ1</a> | Active        | Preproduction        | HTQFP (PZS)   100 | 96   JEDEC TRAY (10+1)  | -           | Call TI                              | Call TI                           | -40 to 125             |                     |

(1) **Status:** For more details on status, see our [product life cycle](#).

- (2) **Material type:** When designated, preproduction parts are prototypes/experimental devices, and are not yet approved or released for full production. Testing and final process, including without limitation quality assurance, reliability performance testing, and/or process qualification, may not yet be complete, and this item is subject to further changes or possible discontinuation. If available for ordering, purchases will be subject to an additional waiver at checkout, and are intended for early internal evaluation purposes only. These items are sold without warranties of any kind.
- (3) **RoHS values:** Yes, No, RoHS Exempt. See the [TI RoHS Statement](#) for additional information and value definition.
- (4) **Lead finish/Ball material:** Parts may have multiple material finish options. Finish options are separated by a vertical ruled line. Lead finish/Ball material values may wrap to two lines if the finish value exceeds the maximum column width.
- (5) **MSL rating/Peak reflow:** The moisture sensitivity level ratings and peak solder (reflow) temperatures. In the event that a part has multiple moisture sensitivity ratings, only the lowest level per JEDEC standards is shown. Refer to the shipping label for the actual reflow temperature that will be used to mount the part to the printed circuit board.
- (6) **Part marking:** There may be an additional marking, which relates to the logo, the lot trace code information, or the environmental category of the part.

Multiple part markings will be inside parentheses. Only one part marking contained in parentheses and separated by a "~" will appear on a part. If a line is indented then it is a continuation of the previous line and the two combined represent the entire part marking for that device.

**Important Information and Disclaimer:** The information provided on this page represents TI's knowledge and belief as of the date that it is provided. TI bases its knowledge and belief on information provided by third parties, and makes no representation or warranty as to the accuracy of such information. Efforts are underway to better integrate information from third parties. TI has taken and continues to take reasonable steps to provide representative and accurate information but may not have conducted destructive testing or chemical analysis on incoming materials and chemicals. TI and TI suppliers consider certain information to be proprietary, and thus CAS numbers and other limited information may not be available for release.

In no event shall TI's liability arising out of such information exceed the total purchase price of the TI part(s) at issue in this document sold by TI to Customer on an annual basis.

## IMPORTANT NOTICE AND DISCLAIMER

TI PROVIDES TECHNICAL AND RELIABILITY DATA (INCLUDING DATASHEETS), DESIGN RESOURCES (INCLUDING REFERENCE DESIGNS), APPLICATION OR OTHER DESIGN ADVICE, WEB TOOLS, SAFETY INFORMATION, AND OTHER RESOURCES "AS IS" AND WITH ALL FAULTS, AND DISCLAIMS ALL WARRANTIES, EXPRESS AND IMPLIED, INCLUDING WITHOUT LIMITATION ANY IMPLIED WARRANTIES OF MERCHANTABILITY, FITNESS FOR A PARTICULAR PURPOSE OR NON-INFRINGEMENT OF THIRD PARTY INTELLECTUAL PROPERTY RIGHTS.

These resources are intended for skilled developers designing with TI products. You are solely responsible for (1) selecting the appropriate TI products for your application, (2) designing, validating and testing your application, and (3) ensuring your application meets applicable standards, and any other safety, security, regulatory or other requirements.

These resources are subject to change without notice. TI grants you permission to use these resources only for development of an application that uses the TI products described in the resource. Other reproduction and display of these resources is prohibited. No license is granted to any other TI intellectual property right or to any third party intellectual property right. TI disclaims responsibility for, and you fully indemnify TI and its representatives against any claims, damages, costs, losses, and liabilities arising out of your use of these resources.

TI's products are provided subject to [TI's Terms of Sale](#), [TI's General Quality Guidelines](#), or other applicable terms available either on [ti.com](http://ti.com) or provided in conjunction with such TI products. TI's provision of these resources does not expand or otherwise alter TI's applicable warranties or warranty disclaimers for TI products. Unless TI explicitly designates a product as custom or customer-specified, TI products are standard, catalog, general purpose devices.

TI objects to and rejects any additional or different terms you may propose.

Copyright © 2026, Texas Instruments Incorporated

Last updated 10/2025