

# HD3SS214 8.1 Gbps DisplayPort 1.4 2:1/1:2 Differential Switch

## 1 Features

- Compatible with DisplayPort 1.4 electrical standard
- 2:1 and 1:2 switching supporting data rates up to 8.1 Gbps
- Supports HPD, AUX and DDC switching
- Wide differential BW of 8 GHz
- Excellent dynamic electrical characteristics
- $V_{DD}$  operating range 3.3 V  $\pm$ 10%
- Extended industrial temperature range of -40°C to 105°C
- 5 mm x 5 mm, 50-ball nFBGA package
- Output enable (OE) pin disables switch to save power
  - Active < 2 mW typical
  - Standby < 10  $\mu$ W typical (when OE = L)

## 2 Applications

- [PC & notebooks](#)
- [Tablets](#)
- [Connected peripherals & printers](#)

## 3 Description

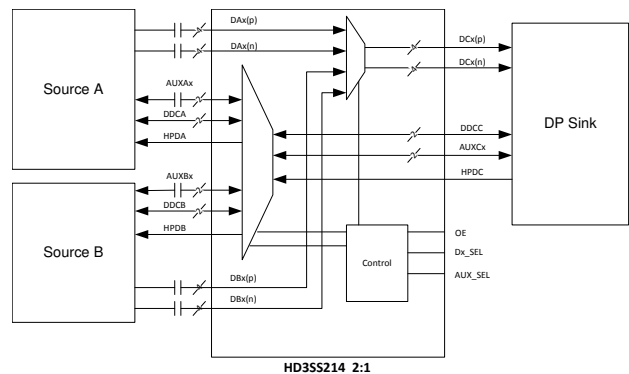
HD3SS214 is a high-speed passive switch capable of switching two full DisplayPort 4 lane ports from one of two sources to one target location in an application. It will also switch one source to one of two sinks. For DisplayPort Applications, the HD3SS214 supports switching of the Auxiliary (AUX), Display Data Channel (DDC) and Hot Plug Detect (HPD) signals in the nFBGA ZXH package.

One typical application would be a mother board that includes two GPUs that need to drive one DisplayPort sink. The GPU is selected by the Dx\_SEL pin. Another application is when one source needs to switch between one of two sinks, example would be a side connector and a docking station connector. The switching is controlled using the Dx\_SEL and AUX\_SEL pins. The HD3SS214 operates from a single supply voltage of 3.3 V over extended industrial temperature range -40°C to 105°C.

### Device Information (1)

PART NUMBER	PACKAGE	BODY SIZE (NOM)
HD3SS214	nFBGA (50)	5.00 mm x 5.00 mm
HD3SS214I		

(1) For all available packages, see the orderable addendum at the end of the data sheet.



Copyright © 2016, Texas Instruments Incorporated

### Simplified Schematic



## Table of Contents

<b>1 Features</b> .....	1	7.3 Feature Description.....	10
<b>2 Applications</b> .....	1	7.4 Device Functional Modes.....	11
<b>3 Description</b> .....	1	<b>8 Application and Implementation</b> .....	12
<b>4 Revision History</b> .....	2	8.1 Application Information.....	12
<b>5 Pin Configuration and Functions</b> .....	3	8.2 Typical Application.....	12
<b>6 Specifications</b> .....	5	<b>9 Power Supply Recommendations</b> .....	17
6.1 Absolute Maximum Ratings <sup>(1)</sup> <sup>(2)</sup> .....	5	<b>10 Layout</b> .....	18
6.2 ESD Ratings.....	5	10.1 Layout Guidelines.....	18
6.3 Recommended Operating Conditions.....	5	10.2 Layout Example.....	19
6.4 Thermal Information.....	5	<b>11 Device and Documentation Support</b> .....	21
6.5 Electrical Characteristics.....	7	11.1 Device Support.....	21
6.6 Electrical Characteristics, Device Parameters.....	7	11.2 Receiving Notification of Documentation Updates..	21
6.7 Timing Requirements.....	8	11.3 Community Resources.....	21
6.8 Typical Characteristics.....	8	11.4 Trademarks.....	21
<b>7 Detailed Description</b> .....	9	<b>12 Mechanical, Packaging, and Orderable Information</b> .....	21
7.1 Overview.....	9		
7.2 Functional Block Diagram.....	10		

## 4 Revision History

NOTE: Page numbers for previous revisions may differ from page numbers in the current version.

<b>Changes from , to , (from Revision B (June 2017) to Revision C (December 2020))</b>	<b>Page</b>
• Changed <i>Title</i> and <i>Feature</i> From: DisplayPort 1.3 To: DisplayPort 1.4.....	1
• NOTE: The device in the MicroStar Jr. BGA packaging were redesigned using a laminate nFBGA package. This nFBGA package offers datasheet-equivalent electrical performance. It is also footprint equivalent to the MicroStar Jr. BGA. The new package designator in place of the discontinued package designator will be updated throughout the datasheet.....	1
• Changed u*jr BGA to nFBGA.....	1
• Changed u*jr ZQE to nFBGA ZXH.....	3
• Changed DC2(p) to DC2(n) in Pin Functions.....	3
• Changed DC2(n) to DC2(p) in Pin Functions.....	3
• Changed u*jr ZQE to nFBGA ZXH. Updated thermal data.....	5

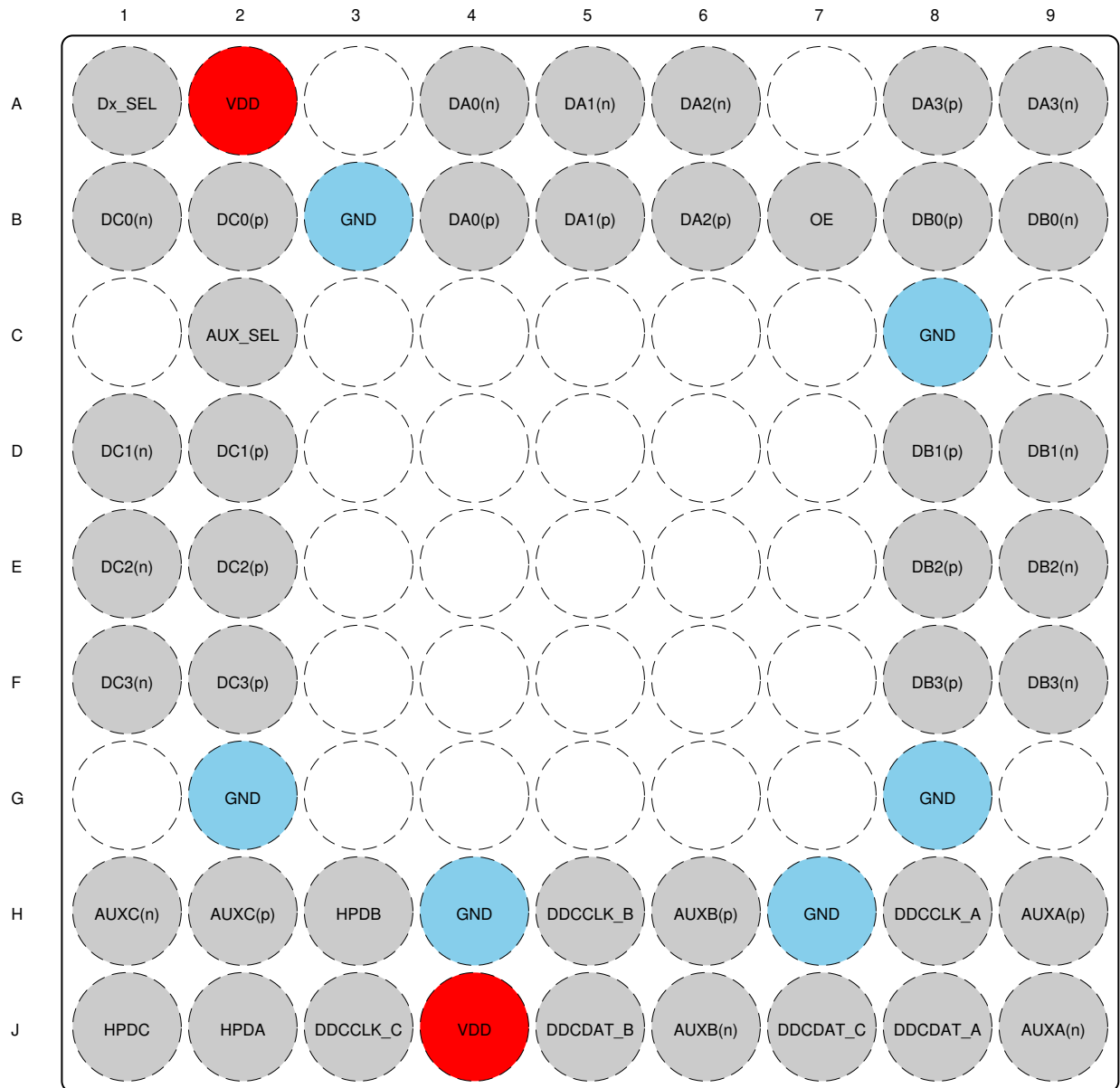
---

<b>Changes from Revision A (July 2016) to Revision B (June 2017)</b>	<b>Page</b>
• Changed <i>Title</i> and <i>Feature</i> From: DisplayPort 1.3 To: DisplayPort 1.4.....	1

---

<b>Changes from Revision * (December 2015) to Revision A (July 2016)</b>	<b>Page</b>
• Changed DC2(p) to DC2(n) in Pin Functions.....	3
• Changed DC2(n) to DC2(p) in Pin Functions.....	3

## 5 Pin Configuration and Functions



Not to scale

**Figure 5-1. ZXH Package 50-ball (nFBGA) Top View**

### Pin Functions

PIN		I/O	DESCRIPTION <sup>(1)</sup>
NO.	NAME		
A1	Dx_SEL	Control I	High Speed Port Selection Control Pins
A2,J4	VDD	Supply	3.3 V Positive power supply voltage
A4	DA0(n)	I/O	Port A, Channel 0, High Speed Negative Signal
A5	DA1(n)	I/O	Port A, Channel 1, High Speed Negative Signal
A6	DA2(n)	I/O	Port A, Channel 2, High Speed Negative Signal
A8	DA3(p)	I/O	Port A, Channel 3, High Speed Positive Signal
A9	DA3(n)	I/O	Port A, Channel 3, High Speed Negative Signal
B1	DC0(n)	I/O	Port C, Channel 0, High Speed Negative Signal

## Pin Functions (continued)

PIN		I/O	DESCRIPTION <sup>(1)</sup>
NO.	NAME		
B2	DC0(p)	I/O	Port C, Channel 0, High Speed Positive Signal
B3,C8,G2,G8,H4,H7	GND	Supply	Ground
B4	DA0(p)	I/O	Port A, Channel 0, High Speed Positive Signal
B5	DA1(p)	I/O	Port A, Channel 1, High Speed Positive Signal
B6	DA2(p)	I/O	Port A, Channel 2, High Speed Positive Signal
B7	OE	I	Output Enable: OE = V <sub>IH</sub> : Normal Operation OE = V <sub>IL</sub> : Standby Mode
B8	DB0(p)	I/O	Port B, Channel 0, High Speed Positive Signal
B9	DB0(n)	I/O	Port B, Channel 0, High Speed Negative Signal
C2	AUX_SEL	Control I	AUX/DDC Selection Control Pin in Conjunction with Dx_SEL Pin
D1	DC1(n)	I/O	Port C, Channel 1, High Speed Negative Signal
D2	DC1(p)	I/O	Port C, Channel 1, High Speed Positive Signal
D8	DB1(p)	I/O	Port B, Channel 1, High Speed Positive Signal
D9	DB1(n)	I/O	Port B, Channel 1, High Speed Negative Signal
E1	DC2(n)	I/O	Port C, Channel 2, High Speed Negative Signal
E2	DC2(p)	I/O	Port C, Channel 2, High Speed Positive Signal
E8	DB2(p)	I/O	Port B, Channel 2, High Speed Positive Signal
E9	DB2(n)	I/O	Port B, Channel 2, High Speed Negative Signal
F1	DC3(n)	I/O	Port C, Channel 3, High Speed Negative Signal
F2	DC3(p)	I/O	Port C, Channel 3, High Speed Positive Signal
F8	DB3(p)	I/O	Port B, Channel 3, High Speed Positive Signal
F9	DB3(n)	I/O	Port B, Channel 3, High Speed Negative Signal
H1	AUXC(n)	I/O	Port C AUX Negative Signal
H2	AUXC(p)	I/O	Port C AUX Positive Signal
H3	HPDB	I/O	Port B Hot Plug Detect
H6	AUXB(p)	I/O	Port B AUX Positive Signal
H5	DDCCLK_B	I/O	Port B DDC Clock Signal
H8	DDCCLK_A	I/O	Port A DDC Clock Signal
H9	AUXA(p)	I/O	Port A AUX Positive Signal
J1	HPDC	I/O	Port C Hot Plug Detect
J2	HPDA	I/O	Port A Hot Plug Detect
J3	DDCCLK_C	I/O	Port C DDC Clock Signal
J5	DDCDAT_B	I/O	Port B DDC Data Signal
J6	AUXB(n)	I/O	Port B AUX Negative Signal
J7	DDCDAT_C	I/O	Port C DDC Data Signal
J8	DDCDAT_A	I/O	Port A DDC Data Signal
J9	AUXA(n)	I/O	Port A AUX Negative Signal

- (1) The high speed data ports incorporate 20-kΩ pull down resistors that are switched in when a port is not selected and switched out when the port is selected.

## 6 Specifications

### 6.1 Absolute Maximum Ratings <sup>(1)</sup> <sup>(2)</sup>

over operating free-air temperature range (unless otherwise noted)

		MIN	MAX	UNIT
Supply voltage range <sup>(3)</sup>	V <sub>DD</sub>	-0.5	4	V
Voltage range	Differential I/O	-0.5	4	V
	Control pin	-0.5	V <sub>DD</sub> + 0.5	
Continuous power dissipation		See Section 6.4		

- (1) Stresses beyond those listed under absolute maximum ratings may cause permanent damage to the device. These are stress ratings only and functional operation of the device at these or any conditions beyond those indicated under recommended operating conditions is not implied. Exposure to absolute-maximum-rated conditions for extended periods may affect device reliability.
- (2) All voltage values, except differential voltages, are with respect to network ground terminal.
- (3) Tested in accordance with JEDEC Standard 22, Test Method A114-B

### 6.2 ESD Ratings

		VALUE	UNIT
V <sub>(ESD)</sub>	Electrostatic discharge	±2000	V
		±500	

- (1) JEDEC document JEP155 states that 500-V HBM allows safe manufacturing with a standard ESD control process.
- (2) JEDEC document JEP157 states that 250-V CDM allows safe manufacturing with a standard ESD control process.

### 6.3 Recommended Operating Conditions

Typical values for all parameters are at V<sub>CC</sub> = 3.3 V and T<sub>A</sub> = 25°C. All temperature limits are specified by design.

PARAMETER		TEST CONDITIONS		MIN	TYP	MAX	UNIT
V <sub>DD</sub>	Supply voltage			3	3.3	3.6	V
V <sub>IH</sub>	Input high voltage	Control Pins, Signal Pins (Dx_SEL, AUX_SEL, MODE, OE)		2		V <sub>DD</sub>	V
V <sub>IM</sub>	Input mid level voltage	AUX_SEL Pin		V <sub>DD</sub> /2 -300 mV	V <sub>DD</sub> /2	V <sub>DD</sub> /2 -300 mV	V
V <sub>IL</sub>	Input low voltage	Control Pins, Signal Pins (Dx_SEL, AUX_SEL, MODE, OE)		-0.1		0.8	V
V <sub>I/O_Diff</sub>	Differential voltage (Dx, AUXx)	Switch I/O diff voltage		0		1.8	V <sub>pp</sub>
V <sub>I/O_CM</sub>	Dx switching I/O Common mode voltage	Switch I/O common mode voltage		0		2	V
	AUXx (1) switching I/O Common mode voltage			0		3.6	
Operating free-air temperature		HD3SS214		0		70	°C
		HD3SS214I		-40		105	°C

### 6.4 Thermal Information

THERMAL METRIC <sup>(1)</sup>		HD3SS214	UNIT
		ZXH (nFBGA)	
		50 PINS	
R <sub>θJA</sub>	Junction-to-ambient thermal resistance	72.9	°C/W
R <sub>θJC(top)</sub>	Junction-to-case (top) thermal resistance	35.9	°C/W
R <sub>θJB</sub>	Junction-to-board thermal resistance	43.1	°C/W
Ψ <sub>JT</sub>	Junction-to-top characterization parameter	1.6	°C/W
Ψ <sub>JB</sub>	Junction-to-board characterization parameter	42.9	°C/W

**HD3SS214**

SLAS907C – DECEMBER 2015 – REVISED DECEMBER 2020

THERMAL METRIC <sup>(1)</sup>		HD3SS214	UNIT
		ZXH (nFBGA)	
		50 PINS	
$R_{\theta JC(bot)}$	Junction-to-case (bottom) thermal resistance	n/a	°C/W

- (1) For more information about traditional and new thermal metrics, see the [Semiconductor and IC Package Thermal Metrics](#) application report.

## 6.5 Electrical Characteristics

over operating free-air temperature range (unless otherwise noted)

PARAMETER		TEST CONDITIONS	MIN	TYP	MAX	UNIT
$I_{IH}$	Input High Current (Dx_SEL, AUX_SEL)	$V_{DD} = 3.6\text{ V}, V_{IN} = V_{DD}$			1	$\mu\text{A}$
$I_{IM}$	Input Mid Current (AUX_SEL)	$V_{DD} = 3.6\text{ V}, V_{IN} = V_{DD}/2$			1	$\mu\text{A}$
$I_{IL}$	Input Low Current (Dx_SEL, AUX_SEL)	$V_{DD} = 3.6\text{ V}, V_{IN} = \text{GND}$			1	$\mu\text{A}$
$I_{LKG}$	Leakage Current (Dx_SEL, AUX_SEL)	$V_{DD} = 3.3\text{ V}, V_{IN} = 2\text{ V}, \text{OE} = 3.3\text{ V}$			1	$\mu\text{A}$
	Leakage Current (HPDx)	$V_{DD} = 3.3\text{ V}, V_{IN} = 2\text{ V}, \text{OE} = 3.3\text{ V};$ $\text{Dx\_SEL} = 3.3\text{ V}$			1	$\mu\text{A}$
	Leakage Current (HPDx)	$V_{DD} = 3.3\text{ V}, V_{IN} = 2\text{ V}, \text{OE} = 3.3\text{ V};$ $\text{Dx\_SEL} = \text{GND}$			1	$\mu\text{A}$
$I_{OFF}$	Device Shut Down Current	$V_{DD} = 3.6\text{ V}, \text{OE} = \text{GND}$			2.5	$\mu\text{A}$
$I_{DD}$	Supply Current	$V_{DD} = 3.6\text{ V}, \text{Dx\_SEL/AUX\_SEL} = \text{VDD/GND}$		0.6	1	$\text{mA}$
<b>DA, DB, DC HIGH SPEED SIGNAL PATH</b>						
$C_{ON}$	Outputs ON Capacitance	$V_{IN} = 0\text{ V}, \text{Outputs Open}, \text{Switch ON}$		0.6		$\text{pF}$
$C_{OFF}$	Outputs OFF Capacitance	$V_{IN} = 0\text{ V}, \text{Outputs Open}, \text{Switch OFF}$		0.8		$\text{pF}$
$R_{ON}$	ON resistance	$V_{DD} = 3.3\text{ V}, V_{CM} = 0.5\text{ V} - 1.5\text{ V}, I_O = -40\text{ mA}$		8	12	$\Omega$
$\Delta R_{ON}$	On resistance match between pairs of the same channel	$V_{DD} = 3.3\text{ V}, V_{CM} = 0.5\text{ V} \leq V_{IN} \leq 1.2\text{ V},$ $I_O = -40\text{ mA}$			1.5	$\Omega$
$R_{(FLAT\_ON)}$	On resistance flatness ( $R_{ON(MAX)} - R_{ON(MAIN)}$ )	$V_{DD} = 3.3\text{ V}, V_{CM} = 0.5\text{ V} \leq V_{IN} \leq 1.2\text{ V}$		1.3		$\Omega$
<b>AUX, DDC, SIGNAL PATH</b>						
$R_{ON(AUX)}$	ON resistance on AUX channel	$V_{DD} = 3.3\text{ V}, V_{CM} = 0\text{ V} - V_{DD}, I_O = -8\text{ mA}$		6	10	$\Omega$
$R_{ON(DDC)}$	ON resistance on DDC channel	$V_{DD} = 3.3\text{ V}, V_{CM} = 0.4\text{ V}, I_O = -3\text{ mA}$		20	30	$\Omega$

## 6.6 Electrical Characteristics, Device Parameters

over operating free-air temperature range (unless otherwise noted)

PARAMETER <sup>(1)</sup>		TEST CONDITIONS	MIN	TYP	MAX	UNIT
$I_L$	Dx Differential Insertion Loss	1.35 GHz		-0.9		$\text{dB}$
		2.7 GHz		-1.4		$\text{dB}$
		4.05 GHz		-1.6		$\text{dB}$
$R_L$	Dx Differential Return Loss	1.35 GHz		-17		$\text{dB}$
		2.7 GHz		-13		$\text{dB}$
		4.05 GHz		-11		$\text{dB}$
$X_{TALK}$	Dx Differential Crosstalk	1.35 GHz				$\text{dB}$
		2.7 GHz		-53		$\text{dB}$
		4.05 GHz		-47		$\text{dB}$
$O_{IRR}$	Dx Differential Off-Isolation	1.35 GHz				$\text{dB}$
		2.7 GHz		-26		$\text{dB}$
		4.05 GHz		-24		$\text{dB}$
AUX Bandwidth				500		$\text{MHz}$

- (1) For Return Loss, Crosstalk, Off-Isolation, and Insertion Loss values the data was collected on a Rogers material board with minimum length traces on the input and output of the device under test.

## 6.7 Timing Requirements

PARAMETER		TEST CONDITIONS	MIN	TYP	MAX	UNIT
$t_{PD}$	Switch propagation delay	$R_{SC}$ and $R_L = 50 \Omega$			100	ps
$t_{on}$	$Dx\_SEL/AUX\_SEL$ -to-Switch $t_{on}$ (Data and AUX and DDC)	$R_{SC}$ and $R_L = 50 \Omega$		0.7	1	$\mu s$
$t_{off}$	$Dx\_SEL/AUX\_SEL$ -to-Switch $t_{off}$ (Data and AUX and DDC)			0.7	1	
$t_{on}$	$Dx\_SEL/AUX\_SEL$ -to-Switch $t_{on}$ (HPD)	$R_L = 1 k\Omega$		0.7	1	$\mu s$
$t_{off}$	$Dx\_SEL/AUX\_SEL$ -to-Switch $t_{off}$ (HPD)			0.7	1	
$t_{SK(O)}$	Inter-Pair Output Skew (CH-CH)	$R_{SC}$ and $R_L = 50 k\Omega$			30	ps
$t_{SK(b-b)}$	Intra-Pair Skew added (Bit-Bit)			1	5	ps

## 6.8 Typical Characteristics

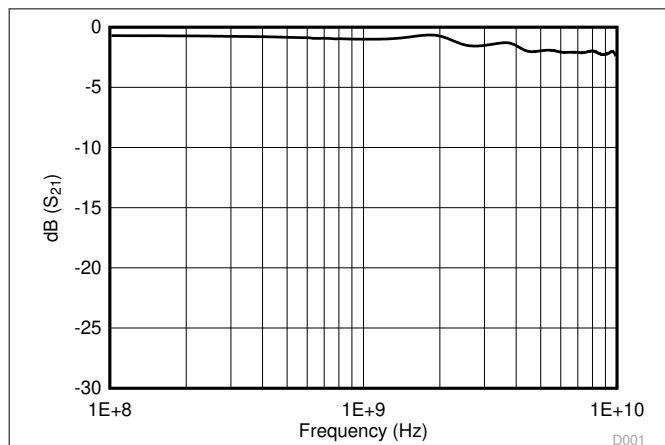


Figure 6-1. Insertion Loss and -3 dB Bandwidth

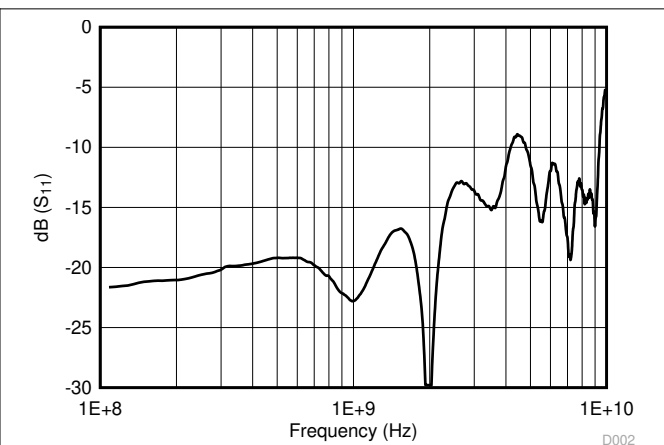


Figure 6-2. Return Loss

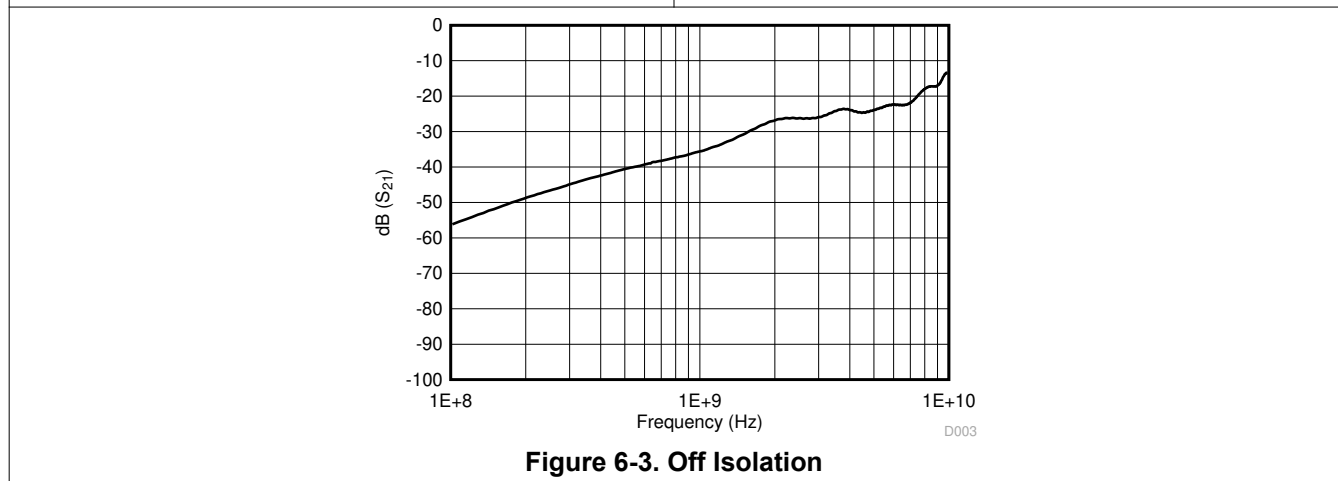


Figure 6-3. Off Isolation

## 7 Detailed Description

### 7.1 Overview

The HD3SS214 is an analog, differential passive switch that can work for any high speed interface applications, as long as it is biased at a common mode voltage range of 0 V to 2 V and has differential signaling with differential amplitude up to 1800 mVpp.

---

#### Note

HD3SS214 MUX does not provide common mode biasing for the channel. Therefore, it is required that the device is biased from either side for all active channels.

---

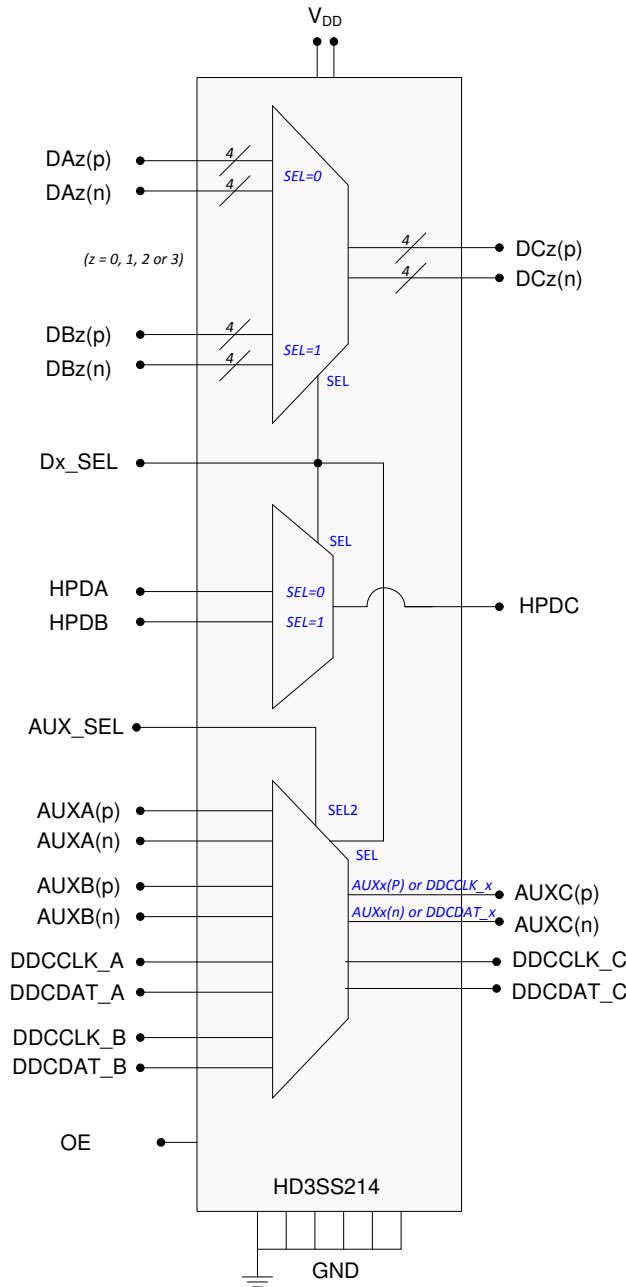
In high-speed applications and data paths, signal integrity is an important concern. The switch offers excellent dynamic performance such as high isolation, crosstalk immunity, and minimal bit-bit skew. These characteristics allow the device to function seamlessly in the system without compromising signal integrity. The 2:1/1:2, mux/demux device operates with ports A or B switched to port C, or port C switched to either port A or B. This flexibility allows an application to select between one of two Sources on ports A and B and send the output to the sink on port C. Similarly, a Source on port C can select between one of two Sink devices on ports A and B to send the data.

The HPD and data signals are both switched through the Dx\_SEL pin. AUX and DDC are controlled with AUX\_SEL and Dx\_SEL.

With an OE control pin, the HD3SS214 is operational, with low active current, when this pin is high. When OE is pulled low, the device goes into standby mode and draws very little current in order to save power consumption in the application.

HD3SS214 high speed MUX channels have independent adaptive common mode tracking allowing four data paths to have different common mode voltage, simplifying system implementation and avoid inter-op issues.

## 7.2 Functional Block Diagram



Copyright © 2016, Texas Instruments Incorporated

## 7.3 Feature Description

### 7.3.1 High Speed Switching

The HD3SS214 supports switching of 8.1 Gbps data rates. The high speed mux is designed with a wide –3dB differential bandwidth of 8 GHz and industry leading dynamic characteristics. All of these attributes help maintain signal integrity in the application. Each high speed port incorporates 20-kΩ pull down resistors that are switched in when the port is not selected and switched out when the port is selected. Additionally, high speed differential pairs at port C have internal 20-kΩ resistor between positive and negative pins

### 7.3.2 HPD, AUX, and DDC Switching

HPD, AUX, and DDC switching is supported through the HD3SS214. This enables the device to work in multiple application scenarios within multiple electrical standards. The AUXA/B and DDCA/B lines can both be switched to the AUXC port. This feature supports DP++ or AUX only adapters. For HDMI applications, the DDC channels are switched to the DDC\_C port only and the AUX channel can remain active or the end user can make it float.

### 7.3.3 Output Enable and Power Savings

The HD3SS214 has two power modes, active/normal operating mode, and standby mode. During standby mode, the device consumes very little current to save the maximum power. To enter standby mode, the OE control pin is pulled low and must remain low. For active/normal operation, the OE control pin should be pulled high to VDD through a resistor.

## 7.4 Device Functional Modes

The HD3SS214 behaves as a two to one or one to two using high bandwidth pass gates. The input ports are selected using the Dx\_SEL pin and Dx\_SEL pin which are shown in [Table 7-1](#).

**Table 7-1. AUX/DDC Switch Control Logic <sup>(2)</sup>**

CONTROL LINES		SWITCHED I/O PINS <sup>(1)</sup>								
AUX_SE L	Dx_SEL	DCz(p) Pin z = 0, 1, 2 or 3	DCz(n) Pin z = 0, 1, 2 or 3	HPDC Pin	AUXA	AUXB	AUXC	DDCA	DDCB	DDCC
L	L	DAz(p)	DAz(n)	HPDA	To/From AUXC	Z	To/From AUXA	Z	Z	Z
L	H	DBz(p)	DBz(n)	HPDB	Z	To/From AUXC	To/From AUXB	Z	Z	Z
H	L	DAz(p)	DAz(n)	HPDA	Z	Z	To/From DDCA	To/From AUXC	Z	Z
H	H	DBz(p)	DBz(n)	HPDB	Z	Z	To/From DDCB	Z	To/From AUXC	Z
M <sup>(1)</sup>	L	DAz(p)	DAz(n)	HPDA	To/From AUXC	Z	To/From AUXA	To/From DDCC	Z	To/From DDCA
M <sup>(1)</sup>	H	DBz(p)	DBz(p)	HPDB	Z	To/From AUXC	To/From AUXB	Z	To/From DDCC	To/From DDCB

(1) Z = High Impedance

(2) OE pin - For normal operation, drive OE high. Driving the OE pin low will disable the switch. Note: The ports which are not selected by the control lines will be in high impedance status.

## 8 Application and Implementation

### Note

Information in the following applications sections is not part of the TI component specification, and TI does not warrant its accuracy or completeness. TI's customers are responsible for determining suitability of components for their purposes. Customers should validate and test their design implementation to confirm system functionality.

### 8.1 Application Information

The HD3SS214 is a 1:2/2:1 DP switch that supports 8.1 Gbps data rates and DP++. This switch is bi-directional, so it can be used to switch two inputs to one output or one input to one of two outputs. In addition to main link switching, this switch also supports AUX and DDC switching, which simplifies DP++ implementation. 3.3 V is used to supply power to the switch.

### 8.2 Typical Application

#### 8.2.1 Dual GPU With Docking Station Support

Many consumer devices require multiple video sources to be routed to multiple output sinks. One example of these devices is a dual-GPU laptop with docking station support. The laptop has two video sources that can be chosen: one low-power integrated GPU and one high-power discrete GPU. The video stream from one of these sources needs to be routed to one of two outputs: the docking station port or the laptop DisplayPort video port. In order to support this functionality, a high data rate, multi-input/multi-output switch system is required.

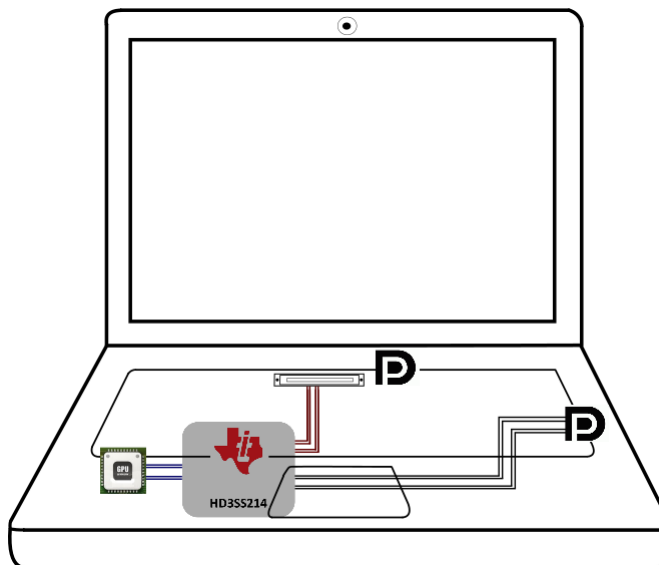


Figure 8-1. Dual GPU with Docking Station Support

#### 8.2.2 Design Requirements

For this design example, use the parameters shown in [Table 8-1](#).

Table 8-1. Design Parameters

PARAMETER	VALUE
$V_{DD}$	3.3 V
Source	DP x1
Sink	DP x2
AUX_SEL Level	M
DP++ Support	No

## 8.2.3 Detailed Design Procedure

### 8.2.3.1 DP Inputs

The HD3SS214 is used as a 1:2 DP switch, the DCx[p/n] are connected to the GPU; the outputs (DAX[p/n] and DBX[p/n] ) are routed to the ++DP connectors of the platform.

#### Note

This application information is only to show the principles of operation of the HD3SS214 and not the requirements of all the implementation. Many implementations will require external circuitry to compensate for signal loss (like a DP re-driver).

### 8.2.3.2 Source Selection Interface

Two control pins on the HD3SS214 are responsible for selecting the incoming DP signal: Dx\_SEL and AUX\_SEL. Dx\_SEL controls which high speed ports are selected. A low signal on Dx\_SEL corresponds to Port A routed to Port C and a high signal corresponds to Port B routed to Port C. A slide switch is used to select the level for this signal. In an embedded application, this switch can be replaced by a GPIO signal from a microcontroller.

AUX channel is controlled by AUX\_SEL. This pin configures the switch to route the incoming AUX signal to the outgoing AUX path, when AUX\_SEL = 0 the AUXA channel will be routed to AUXC, when AUX\_SEL = 1 the AUXB channel will be routed to AUXC. [Figure 8-2](#) shows the selection circuitry.

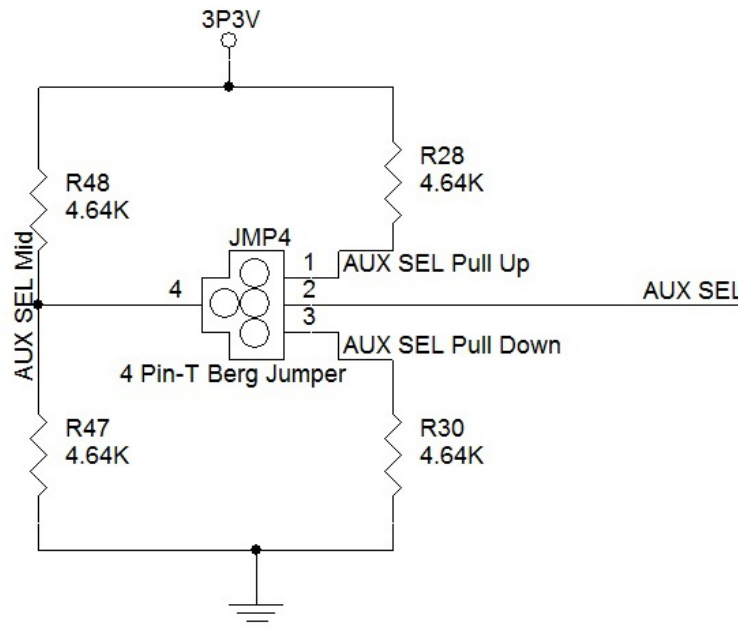
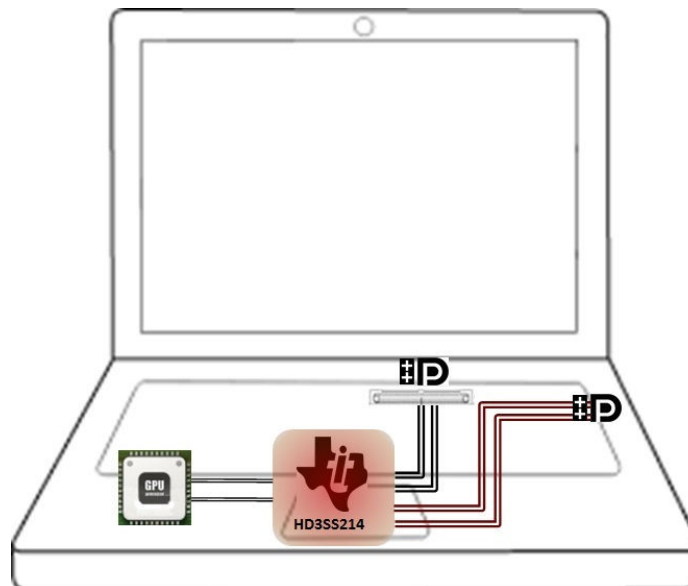


Figure 8-2. AUX\_SEL Schematic

### 8.2.4 DP++ Support

The HD3SS214 supports DP++ implementations.



**Figure 8-3. DP++ Docking Station Support**

#### 8.2.4.1 Design Requirements

For this example, use the parameters shown in [Table 8-2](#)

**Table 8-2. Design Parameters**

PARAMETER	VALUE
V <sub>DD</sub>	3.3 V
Source	DP x1
Sink	DP x2
AUX_SEL Level	M
DP++ Support	Yes

#### 8.2.4.2 Detailed Design Procedure

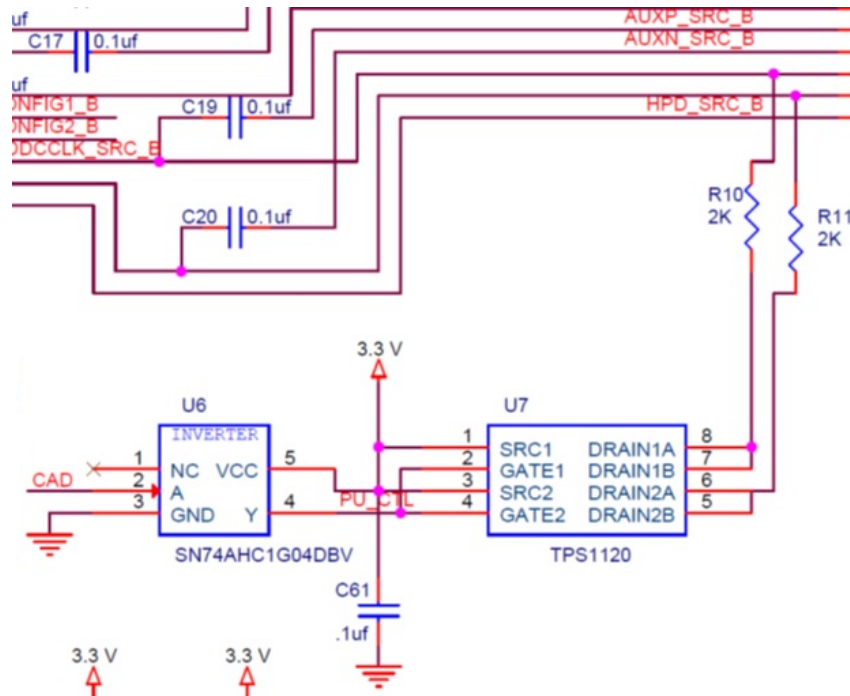
For applications involving DP++ support, following design procedures must be followed.

##### 8.2.4.2.1 AUX and DDC Switching

The HD3SS214 supports DP++ implementations.

According to the DP++ standard, the DP AUX line is repurposed as the DDC line when HDMI signals are being transmitted. Unfortunately, the AUX and DDC signals have very different electrical requirements. AUX is a differential signal that requires AC coupling, while DDC uses I<sup>2</sup>C protocol, which needs pull-up resistors. As a result, these signals are electrically incompatible if extra circuitry is not designed to accommodate the signals.

The source selection design block uses conditional pull-up resistors to support AUX and DDC signals on a unified line. [Figure 8-4](#) illustrates the circuit that was used to enable the signal.



**Figure 8-4. Combined AUX/DDC Circuitry**

In this circuit, the unified AUX/DDC lines are split into two branches prior to entering the HD3SS214. One branch is AC coupled and is connected to the AUX inputs of the HD3SS214. The other is connected to the DDC inputs. AUX\_SEL is configured so that the HD3SS214 transmits both of these through the switch. A conditional pull-up resistor system is connected to the DDC branch of the line. This resistor system will enable the pull-up resistors on the line only when HDMI/DVI signals are being transmitted, that is, when AUX is transmitting DDC signals. This prevents the AUX signal from being interfered with during standard DP mode and enables I2C DDC signaling during HDMI/DVI mode

The control input for the conditional pull-up circuit is the Cable Adaptor Detect (CAD) signal. When an HDMI or DVI sink is being used, this signal goes high, which indicates that the AUX line must transmit the DDC signal. When a standard DP sink is being used, the CAD signal goes low, indicating that the AUX line is transmitting its normal AUX signal. In this way, the CAD signal indicates when the AUX/DDC lines need pull-up resistors and when they do not.

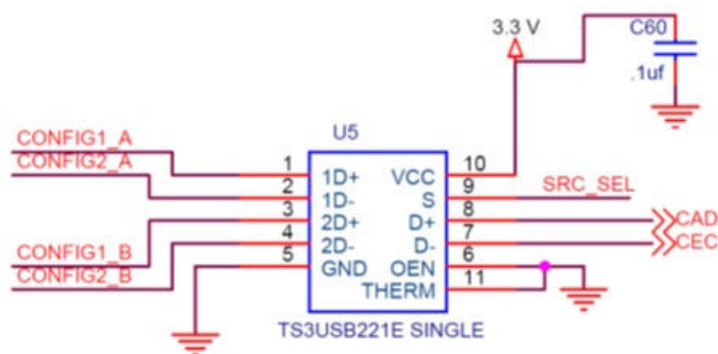
The conditional pull-up circuit consists of an inverter, a p-type MOSFET, and two pull-up resistors. The FET acts as a switch between the pull-up resistors. When CAD is high (indicating that pull-up resistors are needed), the inverter outputs a low signal, which brings the Vgs of the FET below the FET's threshold voltage. Pulling Vgs below the threshold voltage turns the p-type FET on. When the FET turns on, it connects the AUX line's pull-up resistors to VCC, which enables them.

The chosen inverter is a Texas Instruments SN74AHC1G04 inverter, which has very fast response times and very good electrical characteristics for V<sub>OH</sub> and V<sub>OL</sub>. The MOSFET chosen is a Texas Instruments TPS1120 (SLVS080). This device has a convenient dual transistor package, an ideal threshold voltage and very low drain-to-source resistance when on. Together, these two devices have a desirable noise margin of 0.9 V.

### 8.2.4.2.2 CONFIG1 and CONFIG2 Routing

The HD3SS214 only routes the high speed main link, AUX, and Hot Plug Detect (HPD) lines, which means CONFIG1 and CONFIG2 lines need to be routed externally. This is necessary because these lines are important for DP++ as CONFIG1 carries the CAD signal.

A Texas Instruments TS3USB221 (SCDS263) is used to route these signals. It is a 2:1/1:2 USB switch that operates similarly to the HD3SS214. Each port has two inputs, so it is ideal for the CONFIG signals. SRC\_SEL is used to select which source the CONFIG signals are from. The circuit for routing these signals can be seen in Figure 8-5.



**Figure 8-5. CONFIG Signal Routing**

## 9 Power Supply Recommendations

There is no power supply sequence required for HD3SS214. However, it is recommended that OE is asserted high after device supply VDD is stable and in spec. It is also recommended that ample decoupling capacitors are placed at the device VCC near the pin.

## 10 Layout

### 10.1 Layout Guidelines

#### 10.1.1 Layer Stack

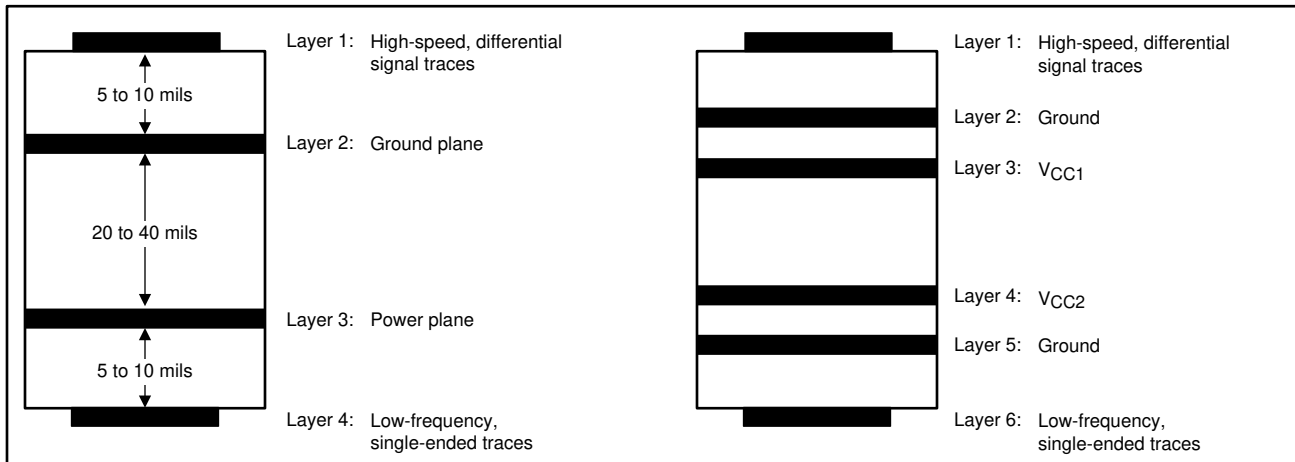
Routing the high-speed differential signal traces on the top layer avoids the use of vias (and the introduction of their inductances) and allows for clean interconnects from the DisplayPort connectors to the repeater inputs and from the repeater output to the subsequent receiver circuit.

Placing a solid ground plane next to the high-speed signal layer establishes controlled impedance for transmission line interconnects and provides an excellent low-inductance path for the return current flow.

Placing the power plane next to the ground plane creates additional high-frequency bypass capacitance.

Routing the fast-edged control signals on the bottom layer by prevents them from cross-talking into the high-speed signal traces and minimizes EMI.

If the receiver requires a supply voltage different from the one of the repeater, add a second power/ground plane system to the stack to keep it symmetrical. This makes the stack mechanically stable and prevents it from warping. Also, the power and ground plane of each power system can be placed closer together, thus increasing the high-frequency bypass capacitance significantly. Finally, a second power/ground system provides added isolation between the signal layers.



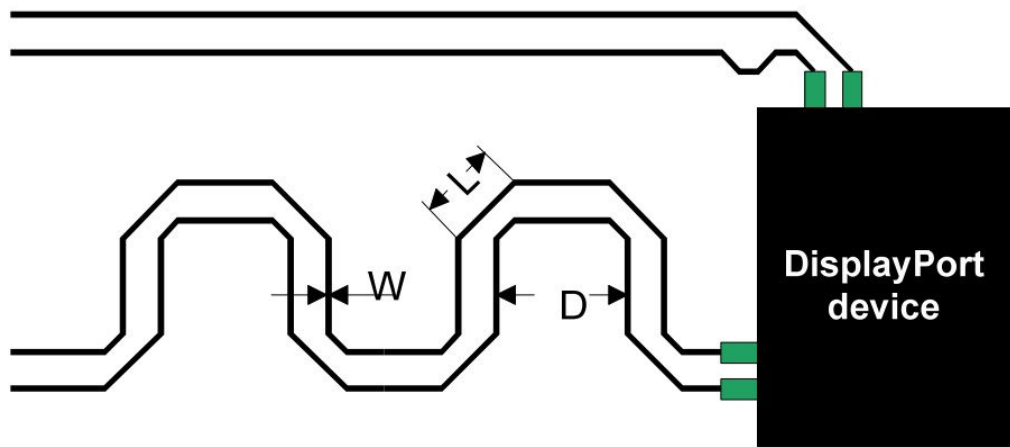
**Figure 10-1. Recommended 4- or 6- Layer (0.062") Stack for a Receiver PCB Design**

### 10.1.2 Differential Traces

Guidelines for routing PCB traces are necessary when trying to maintain signal integrity and lower EMI. Although there seems to be an endless number of precautions to be taken, this section provides only a few main recommendations as layout guidance.

1. Reduce intra-pair skew in a differential trace by introducing small meandering corrections at the point of mismatch.
2. Reduce inter-pair skew, caused by component placement and IC pinouts, by making larger meandering correction along the signal path. Use chamfered corners with a length-to-trace width ratio of between 3 and 5. The distance between bends should be 8 to 10 times the trace width.
3. Use 45 degree bends (chamfered corners), instead of right-angle (90°) bends. Right-angle bends increase the effective trace width, which changes the differential trace impedance creating large discontinuities. A 45° bend is seen as a smaller discontinuity.
4. When routing around an object, route both traces of a pair in parallel. Splitting the traces changes the line-to-line spacing, thus causing the differential impedance to change and discontinuities to occur.
5. Place passive components within the signal path, such as source-matching resistors or ac-coupling capacitors, next to each other. Routing as in case a) creates wider trace spacing than in b), the resulting discontinuity, however, is limited to a far narrower area.
6. When routing traces next to a via or between an array of vias, make sure that the via clearance section does not interrupt the path of the return current on the ground plane below.
7. Avoid metal layers and traces underneath or between the pads off the DisplayPort connectors for better impedance matching. Otherwise they will cause the differential impedance to drop below 75 Ω and fail the board during TDR testing.
8. Use the smallest size possible for signal trace vias and DisplayPort connector pads as they have less impact on the 100 Ω differential impedance. Large vias and pads can cause the impedance to drop below 85 Ω.
9. Use solid power and ground planes for 100 Ω impedance control and minimum power noise.
10. For 100 Ω differential impedance, use the smallest trace spacing possible, which is usually specified by the PCB vendor.
11. Keep the trace length between the DisplayPort connector and the DisplayPort device as short as possible to minimize attenuation.
12. Use good DisplayPort connectors whose impedances meet the specifications.
13. Place bulk capacitors (for example, 10 μF) close to power sources, such as voltage regulators or where the power is supplied to the PCB.
14. Place smaller 0.1 μF or 0.01 μF capacitors at the device.

### 10.2 Layout Example



**Figure 10-2. Skew Seduction via Meandering Using Chamfered Corners**

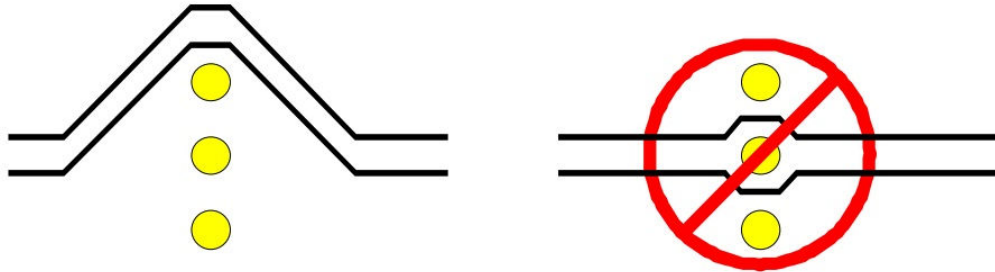


Figure 10-3. Routing Around an Object

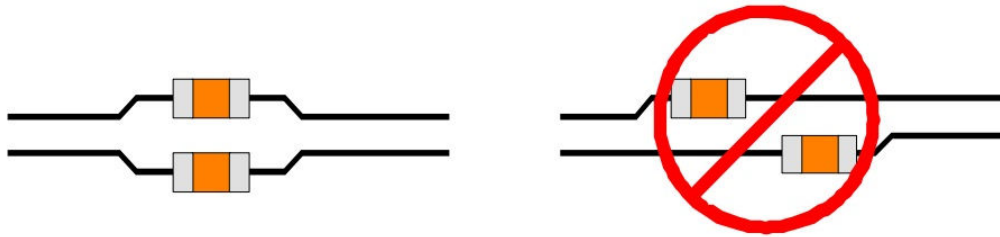


Figure 10-4. Lumping Discontinuities

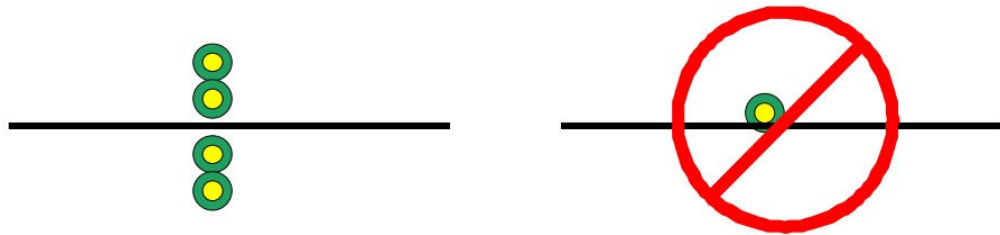


Figure 10-5. Avoiding via Clearance Sections

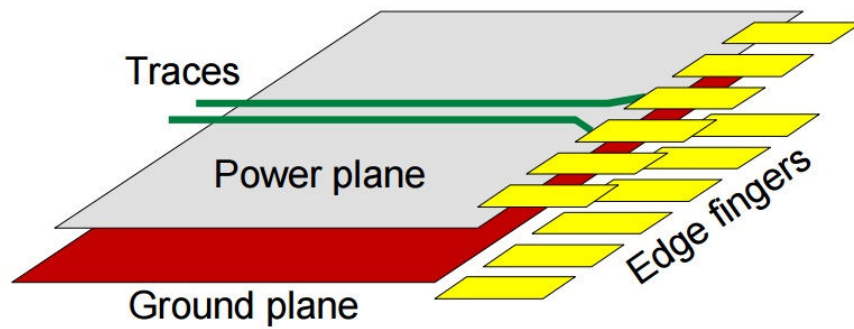


Figure 10-6. Keeping Planes out of the Area Between Edge-fingers

## **11 Device and Documentation Support**

### **11.1 Device Support**

### **11.2 Receiving Notification of Documentation Updates**

To receive notification of documentation updates, navigate to the device product folder on ti.com. In the upper right corner, click on *Alert me* to register and receive a weekly digest of any product information that has changed. For change details, review the revision history included in any revised document.

### **11.3 Community Resources**

### **11.4 Trademarks**

All trademarks are the property of their respective owners.

## **12 Mechanical, Packaging, and Orderable Information**

The following pages include mechanical, packaging, and orderable information. This information is the most current data available for the designated devices. This data is subject to change without notice and revision of this document. For browser-based versions of this data sheet, refer to the left-hand navigation.

**PACKAGING INFORMATION**

Orderable part number	Status (1)	Material type (2)	Package   Pins	Package qty   Carrier	RoHS (3)	Lead finish/ Ball material (4)	MSL rating/ Peak reflow (5)	Op temp (°C)	Part marking (6)
<a href="#">HD3SS214IZXHR</a>	Active	Production	NFBGA (ZXH)   50	2500   LARGE T&R	Yes	SNAGCU	Level-3-260C-168 HR	-40 to 105	HD3SS214I
HD3SS214IZXHR.B	Active	Production	NFBGA (ZXH)   50	2500   LARGE T&R	Yes	SNAGCU	Level-3-260C-168 HR	-40 to 105	HD3SS214I
<a href="#">HD3SS214ZXHR</a>	Active	Production	NFBGA (ZXH)   50	2500   LARGE T&R	Yes	SNAGCU	Level-3-260C-168 HR	-40 to 105	HD3SS214
HD3SS214ZXHR.B	Active	Production	NFBGA (ZXH)   50	2500   LARGE T&R	Yes	SNAGCU	Level-3-260C-168 HR	0 to 70	HD3SS214

(1) **Status:** For more details on status, see our [product life cycle](#).

(2) **Material type:** When designated, preproduction parts are prototypes/experimental devices, and are not yet approved or released for full production. Testing and final process, including without limitation quality assurance, reliability performance testing, and/or process qualification, may not yet be complete, and this item is subject to further changes or possible discontinuation. If available for ordering, purchases will be subject to an additional waiver at checkout, and are intended for early internal evaluation purposes only. These items are sold without warranties of any kind.

(3) **RoHS values:** Yes, No, RoHS Exempt. See the [TI RoHS Statement](#) for additional information and value definition.

(4) **Lead finish/Ball material:** Parts may have multiple material finish options. Finish options are separated by a vertical ruled line. Lead finish/Ball material values may wrap to two lines if the finish value exceeds the maximum column width.

(5) **MSL rating/Peak reflow:** The moisture sensitivity level ratings and peak solder (reflow) temperatures. In the event that a part has multiple moisture sensitivity ratings, only the lowest level per JEDEC standards is shown. Refer to the shipping label for the actual reflow temperature that will be used to mount the part to the printed circuit board.

(6) **Part marking:** There may be an additional marking, which relates to the logo, the lot trace code information, or the environmental category of the part.

Multiple part markings will be inside parentheses. Only one part marking contained in parentheses and separated by a "~" will appear on a part. If a line is indented then it is a continuation of the previous line and the two combined represent the entire part marking for that device.

**Important Information and Disclaimer:** The information provided on this page represents TI's knowledge and belief as of the date that it is provided. TI bases its knowledge and belief on information provided by third parties, and makes no representation or warranty as to the accuracy of such information. Efforts are underway to better integrate information from third parties. TI has taken and continues to take reasonable steps to provide representative and accurate information but may not have conducted destructive testing or chemical analysis on incoming materials and chemicals. TI and TI suppliers consider certain information to be proprietary, and thus CAS numbers and other limited information may not be available for release.

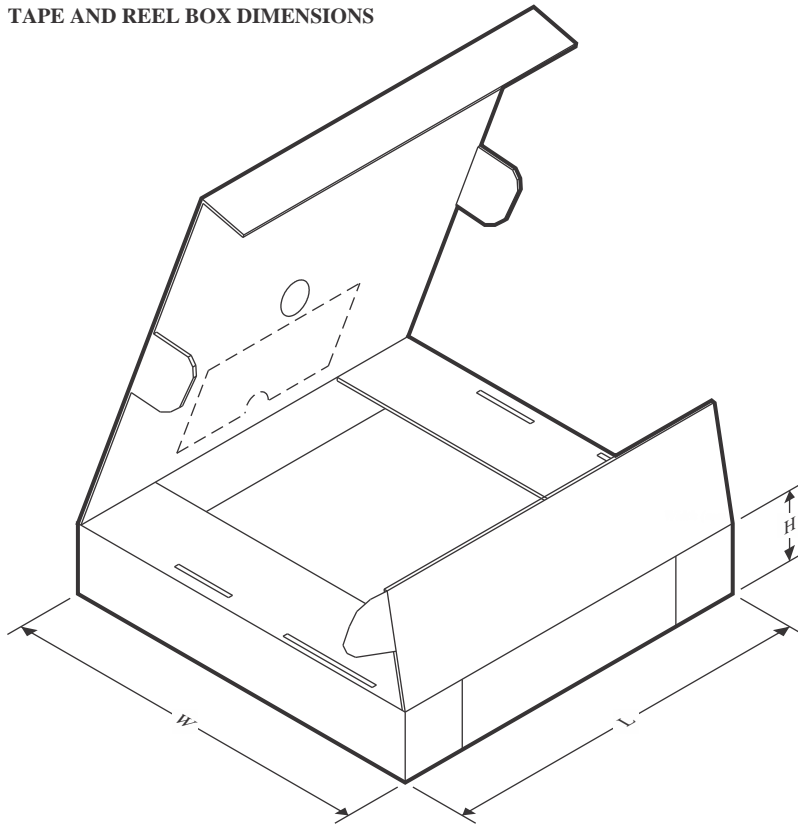
In no event shall TI's liability arising out of such information exceed the total purchase price of the TI part(s) at issue in this document sold by TI to Customer on an annual basis.

**TAPE AND REEL INFORMATION**

**QUADRANT ASSIGNMENTS FOR PIN 1 ORIENTATION IN TAPE**

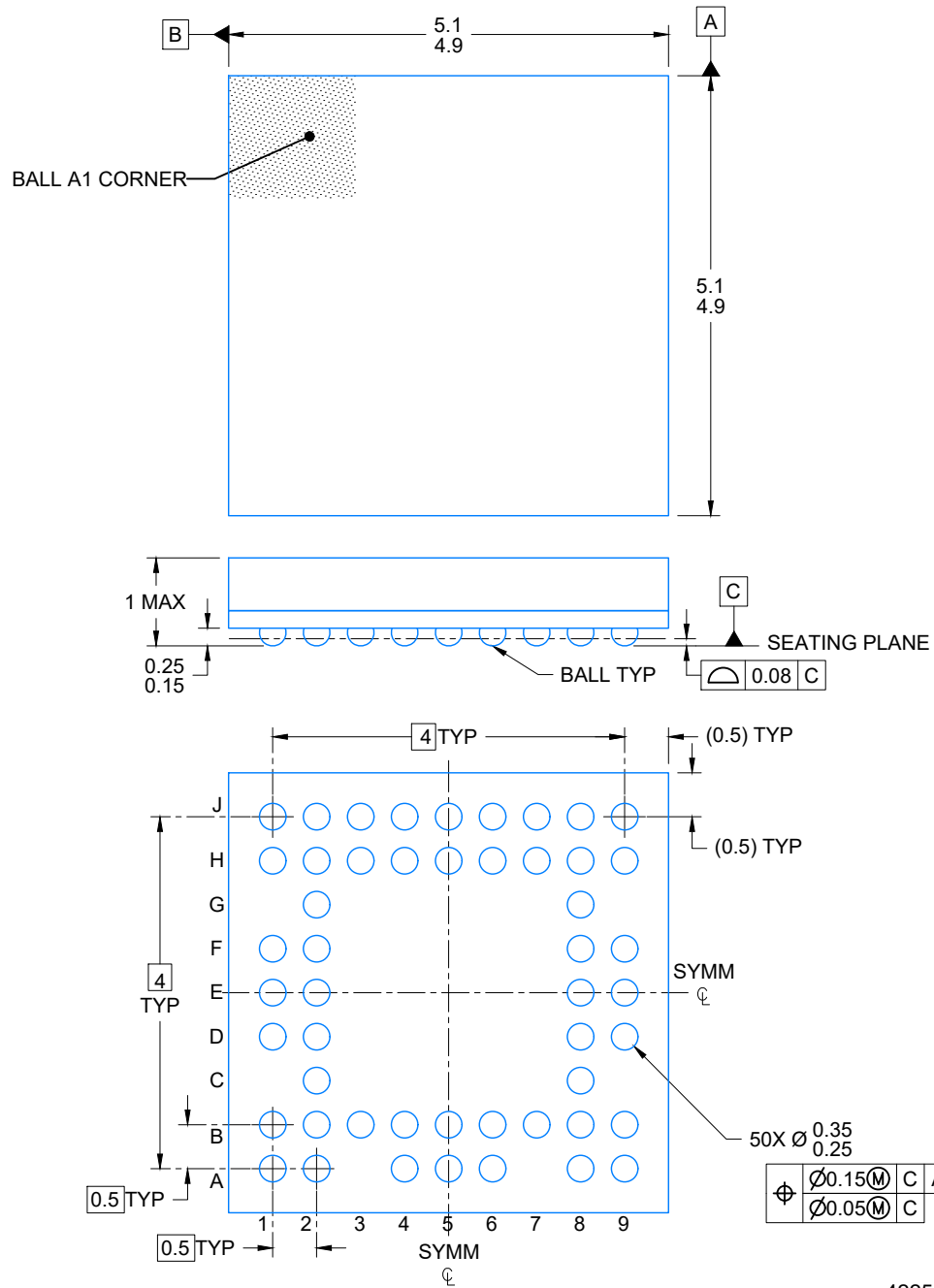

\*All dimensions are nominal

Device	Package Type	Package Drawing	Pins	SPQ	Reel Diameter (mm)	Reel Width W1 (mm)	A0 (mm)	B0 (mm)	K0 (mm)	P1 (mm)	W (mm)	Pin1 Quadrant
HD3SS214IZXHR	NFBGA	ZXH	50	2500	330.0	12.4	5.3	5.3	1.5	8.0	12.0	Q1
HD3SS214ZXHR	NFBGA	ZXH	50	2500	330.0	12.4	5.3	5.3	1.5	8.0	12.0	Q1

**TAPE AND REEL BOX DIMENSIONS**


\*All dimensions are nominal

Device	Package Type	Package Drawing	Pins	SPQ	Length (mm)	Width (mm)	Height (mm)
HD3SS214IZXHR	NFBGA	ZXH	50	2500	336.6	336.6	31.8
HD3SS214ZXHR	NFBGA	ZXH	50	2500	336.6	336.6	31.8

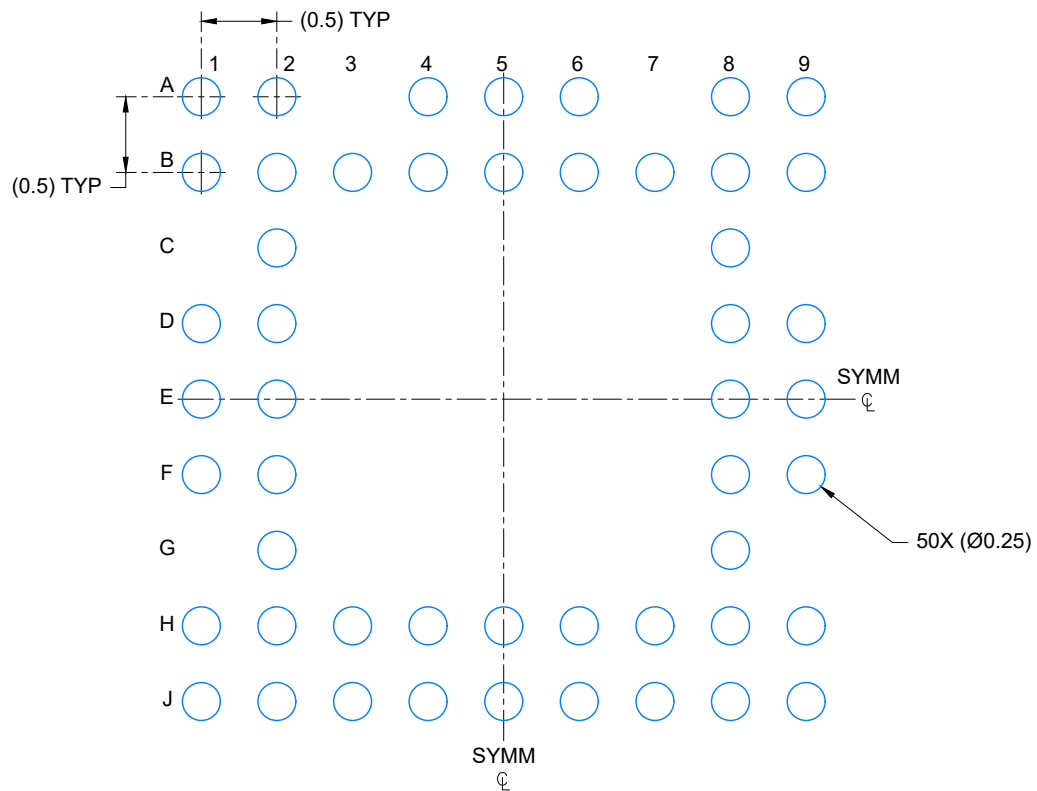


4225134/A 08/2019

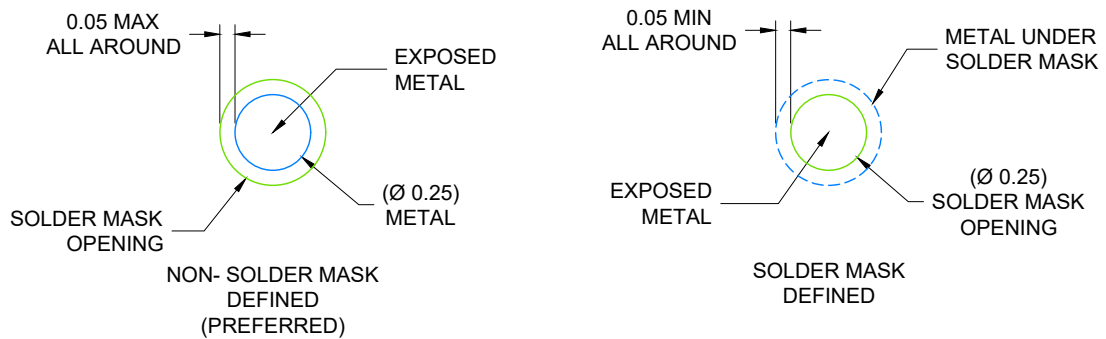
NOTES:

NanoFree is a trademark of Texas Instruments.

1. All linear dimensions are in millimeters. Any dimensions in parenthesis are for reference only. Dimensioning and tolerancing per ASME Y14.5M.
2. This drawing is subject to change without notice.



LAND PATTERN EXAMPLE  
SCALE: 20X

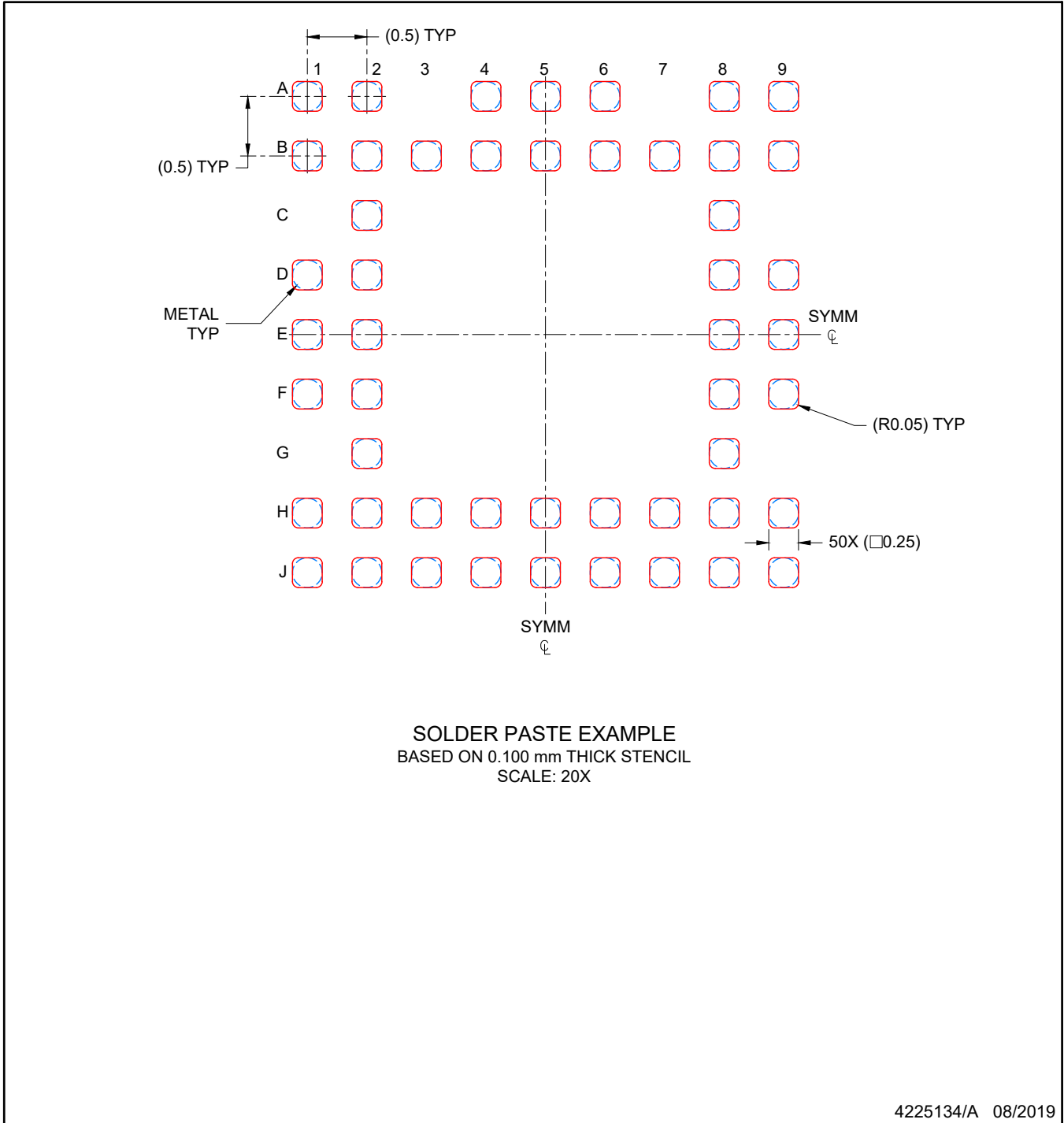


SOLDER MASK DETAILS  
NOT TO SCALE

4225134/A 08/2019

NOTES: (continued)

- Final dimensions may vary due to manufacturing tolerance considerations and also routing constraints. Refer to Texas Instruments Literature number SNVA009 ([www.ti.com/lit/snva009](http://www.ti.com/lit/snva009)).



NOTES: (continued)

- 4. Laser cutting apertures with trapezoidal walls and rounded corners may offer better paste release.

## IMPORTANT NOTICE AND DISCLAIMER

TI PROVIDES TECHNICAL AND RELIABILITY DATA (INCLUDING DATASHEETS), DESIGN RESOURCES (INCLUDING REFERENCE DESIGNS), APPLICATION OR OTHER DESIGN ADVICE, WEB TOOLS, SAFETY INFORMATION, AND OTHER RESOURCES "AS IS" AND WITH ALL FAULTS, AND DISCLAIMS ALL WARRANTIES, EXPRESS AND IMPLIED, INCLUDING WITHOUT LIMITATION ANY IMPLIED WARRANTIES OF MERCHANTABILITY, FITNESS FOR A PARTICULAR PURPOSE OR NON-INFRINGEMENT OF THIRD PARTY INTELLECTUAL PROPERTY RIGHTS.

These resources are intended for skilled developers designing with TI products. You are solely responsible for (1) selecting the appropriate TI products for your application, (2) designing, validating and testing your application, and (3) ensuring your application meets applicable standards, and any other safety, security, regulatory or other requirements.

These resources are subject to change without notice. TI grants you permission to use these resources only for development of an application that uses the TI products described in the resource. Other reproduction and display of these resources is prohibited. No license is granted to any other TI intellectual property right or to any third party intellectual property right. TI disclaims responsibility for, and you fully indemnify TI and its representatives against any claims, damages, costs, losses, and liabilities arising out of your use of these resources.

TI's products are provided subject to [TI's Terms of Sale](#), [TI's General Quality Guidelines](#), or other applicable terms available either on [ti.com](http://ti.com) or provided in conjunction with such TI products. TI's provision of these resources does not expand or otherwise alter TI's applicable warranties or warranty disclaimers for TI products. Unless TI explicitly designates a product as custom or customer-specified, TI products are standard, catalog, general purpose devices.

TI objects to and rejects any additional or different terms you may propose.

Copyright © 2026, Texas Instruments Incorporated

Last updated 10/2025