

ISO7821LLS High-Performance, 8000-V_{PK} Reinforced Isolated Dual-LVDS Buffer

1 Features

- Complies with TIA/EIA-644-A LVDS Standard
- Signaling Rate: 50 Mbps to 150 Mbps
- Optimized for DC-Balanced Data
- Wide Supply Range: 3 V to 5.5 V
- Wide Temperature Range: –55°C to 125°C
- Low-Power Consumption, Typical 10.3 mA per Channel at 150 Mbps
- Low Propagation Delay: 17 ns Typical
- Industry leading CMTI(Min): ±100 kV/μs
- Robust Electromagnetic Compatibility (EMC)
- System-Level ESD, EFT, and Surge Immunity
- Low Emissions
- Isolation Barrier Life: > 40 Years
- SOIC-16 Wide Body (DW) and Extra-Wide Body (DWW) Package Options
- Isolation Surge Withstand Voltage 12800 V_{PK}
- Safety-Related Certifications:
 - 8000-V_{PK} Reinforced Isolation per DIN V VDE V 0884–10 (VDE V 0884–10): 2006–12
 - 5700-V_{RMS} Isolation for 1 minute per UL 1577
 - CSA Component Acceptance Notice 5A, IEC 60950–1 and IEC 60601–1 End Equipment Standards
 - TUV Certification per EN 61010-1 and EN 60950-1
 - CQC Certification per GB4943.1–2011
 - All Certifications are Planned

2 Applications

- Motor Control
- Test and Measurement
- Industrial Automation
- Medical Equipment
- Communication Systems

3 Description

The ISO7821LLS device is a high-performance, isolated dual-LVDS buffer with 8000-V_{PK} isolation voltage. This device provides high electromagnetic immunity and low emissions at low-power consumption, while isolating the LVDS bus signal. Each isolation channel has an LVDS receive and transmit buffer. Timing performance for the ISO7821LLS device is optimized for use with communication systems that use DC-balanced data streams which is achieved through an internal distortion correction scheme.

The ISO7821LLS device has one forward and one reverse-direction channel.

Through innovative chip design and layout techniques, the electromagnetic compatibility of the ISO7821LLS device has been significantly enhanced to ease system-level ESD, EFT, surge, and emissions compliance.

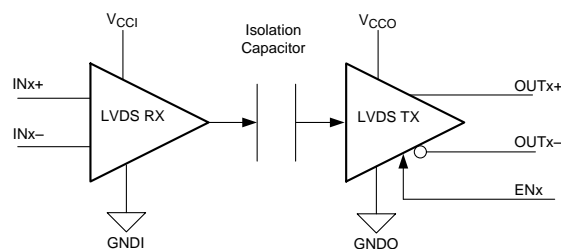
The ISO7821LLS device is available in a 16-pin SOIC wide-body (DW) and extra-wide body (DWW) packages.

Device Information⁽¹⁾

PART NUMBER	PACKAGE	BODY SIZE (NOM)
ISO7821LLS	DW (16)	10.30 mm x 7.50 mm
	DWW (16)	10.30 mm x 14.00 mm

(1) For all available packages, see the orderable addendum at the end of the data sheet.

Simplified Schematic



Copyright © 2016, Texas Instruments Incorporated

V_{CCI} and GNDI are supply and ground connections respectively for the input channels.

V_{CCO} and GNDO are supply and ground connections respectively for the output channels.



Table of Contents

1 Features 1 2 Applications 1 3 Description 1 4 Revision History 2 5 Pin Configuration and Functions 3 6 Specifications 4 6.1 Absolute Maximum Ratings 4 6.2 ESD Ratings 4 6.3 Recommended Operating Conditions 4 6.4 Thermal Information 5 6.5 Power Ratings 5 6.6 Insulation Specifications 6 6.7 Safety-Related Certifications 7 6.8 Safety Limiting Values 7 6.9 DC Electrical Characteristics 8 6.10 DC Supply Current Characteristics 9 6.11 Timing Requirements for Distortion Correction Scheme 9 6.12 Switching Characteristics 10 6.13 Insulation Characteristics Curves 11 6.14 Typical Characteristics 12 7 Parameter Measurement Information 14	8 Detailed Description 17 8.1 Overview 17 8.2 Functional Block Diagram 17 8.3 Feature Description 18 8.4 Device Functional Modes 19 9 Application and Implementation 20 9.1 Application Information 20 9.2 Typical Application 20 10 Power Supply Recommendations 23 11 Layout 24 11.1 Layout Guidelines 24 11.2 Layout Example 24 12 Device and Documentation Support 25 12.1 Documentation Support 25 12.2 Receiving Notification of Documentation Updates 25 12.3 Community Resources 25 12.4 Trademarks 25 12.5 Electrostatic Discharge Caution 25 12.6 Glossary 25 13 Mechanical, Packaging, and Orderable Information 25
---	---

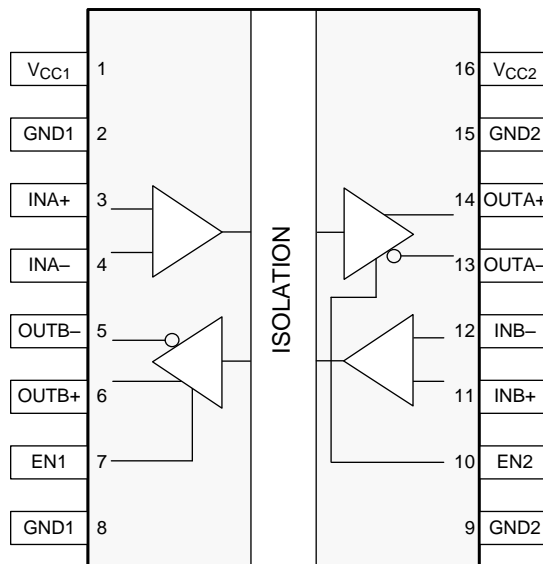
4 Revision History

NOTE: Page numbers for previous revisions may differ from page numbers in the current version.

Changes from Original (March 2016) to Revision A	Page
<ul style="list-style-type: none"> • Changed the device status from <i>Product Preview</i> to <i>Production Data</i> and released full version of the data sheet 1 	1

5 Pin Configuration and Functions

**DW and DWW Packages
16-Pin SOIC
Top View**



Pin Functions

PIN		I/O	DESCRIPTION
NAME	NO.		
EN1	7	I	Output enable 1. Output pins on side 1 are enabled when EN1 is high or open and in high impedance state when EN1 is low.
EN2	10	I	Output enable 2. Output pins on side 2 are enabled when EN2 is high or open and in high impedance state when EN2 is low.
GND1	2	—	Ground connection for V _{CC1}
	8		
GND2	9	—	Ground connection for V _{CC2}
	15		
INA+	3	I	Positive differential input, channel A
INA-	4	I	Negative differential input, channel A
INB+	11	I	Positive differential input, channel B
INB-	12	I	Negative differential input, channel B
OUTA+	14	O	Positive differential output, channel A
OUTA-	13	O	Negative differential output, channel A
OUTB+	6	O	Positive differential output, channel B
OUTB-	5	O	Negative differential output, channel B
V _{CC1}	1	—	Power supply, side 1, V _{CC1}
V _{CC2}	16	—	Power supply, side 2, V _{CC2}

6 Specifications

6.1 Absolute Maximum Ratings

over operating free-air temperature range (unless otherwise noted)⁽¹⁾

			MIN	MAX	UNIT
V_{CCx}	Supply voltage ⁽²⁾	V_{CC1}, V_{CC2}	-0.5	6	V
V	Voltage on input, output, and enable pins	OUTx, INx, ENx	-0.5	$V_{CCx} + 0.5^{(3)}$	V
I_O	Maximum current through OUTx pins		-20	20	mA
T_J	Junction temperature		-55	150	°C
T_{stg}	Storage temperature		-65	150	°C

- (1) Stresses beyond those listed under *Absolute Maximum Ratings* may cause permanent damage to the device. These are stress ratings only, which do not imply functional operation of the device at these or any other conditions beyond those indicated under *Recommended Operating Conditions*. Exposure to absolute-maximum-rated conditions for extended periods may affect device reliability.
- (2) All voltage values except differential I/O bus voltages are with respect to the local ground pin (GND1 or GND2) and are peak voltage values.
- (3) Maximum voltage must not exceed 6 V.

6.2 ESD Ratings

			VALUE	UNIT
$V_{(ESD)}$	Electrostatic discharge	Human-body model (HBM), per ANSI/ESDA/JEDEC JS-001 ⁽¹⁾	±4500	V
		Charged-device model (CDM), per JEDEC specification JESD22-C101 ⁽²⁾	±1500	

- (1) JEDEC document JEP155 states that 500-V HBM allows safe manufacturing with a standard ESD control process.
- (2) JEDEC document JEP157 states that 250-V CDM allows safe manufacturing with a standard ESD control process.

6.3 Recommended Operating Conditions

			MIN	NOM	MAX	UNIT
V_{CC1}, V_{CC2}	Supply voltage		3	3.3	5.5	V
$ V_{ID} $	Magnitude of RX input differential voltage	Driven with voltage sources on RX pins	100		600	mV
V_{IC}	RX input common-mode voltage	$V_{CC1}, V_{CC2} \geq 3$ V	$0.5 V_{ID} $		$2.4 - 0.5 V_{ID} $	V
R_L	TX far-end differential termination			100		Ω
DR	Signaling rate		50		150	Mbps
T_A	Ambient temperature		-55	25	125	°C

6.4 Thermal Information

THERMAL METRIC ⁽¹⁾		ISO7821LLS		UNIT
		DW (SOIC)	DWW (SOIC)	
		16 PINS	16 PINS	
$R_{\theta JA}$	Junction-to-ambient thermal resistance	82	84.6	°C/W
$R_{\theta JC(top)}$	Junction-to-case(top) thermal resistance	44.6	46.4	°C/W
$R_{\theta JB}$	Junction-to-board thermal resistance	46.6	55.3	°C/W
Ψ_{JT}	Junction-to-top characterization parameter	17.8	18.7	°C/W
Ψ_{JB}	Junction-to-board characterization parameter	46.1	54.5	°C/W
$R_{\theta JC(bottom)}$	Junction-to-case(bottom) thermal resistance	—	—	°C/W

(1) For more information about traditional and new thermal metrics, see the [Semiconductor and IC Package Thermal Metrics](#) application report.

6.5 Power Ratings

$V_{CC1} = V_{CC2} = 5.5\text{ V}$, $T_J = 150^\circ\text{C}$, $C_L = 5\text{ pF}$, $R_L = 100\text{-}\Omega$ differential, input a 75-MHz 50% duty-cycle square wave, $EN1 = EN2 = 5.5\text{ V}$

PARAMETER		TEST CONDITIONS	MAX	TYP	MAX	UNIT
P_D	Maximum power dissipation (both sides)				180	mW
P_{D1}	Maximum power dissipation (side 1)				90	mW
P_{D2}	Maximum power dissipation (side 2)				90	mW

6.6 Insulation Specifications

over operating free-air temperature range (unless otherwise noted)

PARAMETER		TEST CONDITIONS	SPECIFICATION		UNIT
			DW	DWW	
GENERAL					
CLR	External clearance ⁽¹⁾	Shortest terminal-to-terminal distance through air	>8	>14.5	mm
CPG	External creepage ⁽¹⁾	Shortest terminal-to-terminal distance across the package surface	>8	>14.5	mm
DTI	Distance through the insulation	Minimum internal gap (internal clearance)	>21	>21	μm
CTI	Tracking resistance (comparative tracking index)	DIN EN 60112 (VDE 0303–11); IEC 60112; UL 746A	>600	>600	V
	Material group	According to IEC 60664-1	I	I	
	Overvoltage category per IEC 60664-1	Rated mains voltage ≤ 600 V _{RMS}	I–IV	I–IV	
		Rated mains voltage ≤ 1000 V _{RMS}	I–III	I–IV	
DIN V VDE V 0884–10 (VDE V 0884–10):2006–12⁽²⁾					
V _{IORM}	Maximum repetitive peak isolation voltage	AC voltage (bipolar)	2121	2828	V _{PK}
V _{IOWM}	Maximum isolation working voltage	AC voltage (sine wave); time dependent dielectric breakdown (TDDb) test; see Figure 1 and Figure 2	1500	2000	V _{RMS}
		DC voltage	2121	2828	V _{DC}
V _{IOTM}	Maximum transient isolation voltage	V _{TEST} = V _{IOTM} , t = 60 s (qualification) t = 1 s (100% production)	8000	8000	V _{PK}
V _{IOSM}	Maximum surge isolation voltage ⁽³⁾	Test method per IEC 60065, 1.2/50 μs waveform, V _{TEST} = 1.6 × V _{IOSM} = 12800 V _{PK} (qualification)	8000	8000	V _{PK}
q _{pd}	Apparent charge ⁽⁴⁾	Method a: After I/O safety test subgroup 2/3, V _{ini} = V _{IOTM} , t _{ini} = 60 s; V _{pd(m)} = 1.2 × V _{IORM} = 2545 V _{PK} (DW) and 3394 V _{PK} (DWW), t _m = 10 s	≤5	≤5	pC
		Method a: After environmental tests subgroup 1, V _{ini} = V _{IOTM} , t _{ini} = 60 s; V _{pd(m)} = 1.6 × V _{IORM} = 3394 V _{PK} (DW) and 4525 V _{PK} (DWW), t _m = 10 s	≤5	≤5	
		Method b1: At routine test (100% production) and preconditioning (type test) V _{ini} = V _{IORM} , t _{ini} = 1 s; V _{pd(m)} = 1.875 × V _{IORM} = 3977 V _{PK} (DW) and 5303 V _{PK} (DWW), t _m = 1 s	≤5	≤5	
C _{IO}	Barrier capacitance, input to output ⁽⁵⁾	V _{IO} = 0.4 × sin(2πft), f = 1 MHz	~0.7	~0.7	pF
R _{IO}	Isolation resistance, input to output ⁽⁵⁾	V _{IO} = 500 V, T _A = 25°C	>10 ¹²	>10 ¹²	Ω
		V _{IO} = 500 V, 100°C ≤ T _A ≤ 125°C	>10 ¹¹	>10 ¹¹	
		V _{IO} = 500 V at T _S = 150°C	>10 ⁹	>10 ⁹	
	Pollution degree		2	2	
	Climatic category		55/125/21	55/125/21	
UL 1577					
V _{ISO}	Withstanding isolation voltage	V _{TEST} = V _{ISO} = 5700 V _{RMS} , t = 60 s (qualification); V _{TEST} = 1.2 × V _{ISO} = 6840 V _{RMS} , t = 1 s (100% production)	5700	5700	V _{RMS}

- (1) Creepage and clearance requirements should be applied according to the specific equipment isolation standards of an application. Care should be taken to maintain the creepage and clearance distance of a board design to ensure that the mounting pads of the isolator on the printed-circuit board do not reduce this distance. Creepage and clearance on a printed-circuit board become equal in certain cases. Techniques such as inserting grooves and/or ribs on a printed circuit board are used to help increase these specifications.
- (2) This coupler is suitable for *safe electrical insulation* only within the safety ratings. Compliance with the safety ratings shall be ensured by means of suitable protective circuits.
- (3) Testing is carried out in air or oil to determine the intrinsic surge immunity of the isolation barrier.
- (4) Apparent charge is electrical discharge caused by a partial discharge (pd).
- (5) All pins on each side of the barrier tied together creating a two-terminal device.

6.7 Safety-Related Certifications

VDE	CSA	UL	CQC	TUV
Plan to certify according to DIN V VDE V 0884-10 (VDE V 0884-10):2006-12 and DIN EN 60950-1 (VDE 0805 Teil 1):2011-01	Plan to certify under CSA Component Acceptance Notice 5A, IEC 60950-1 and IEC 60601-1	Plan to certify according to UL 1577 Component Recognition Program	Plan to certify according to GB 4943.1-2011	Plan to certify according to EN 61010-1:2010 (3rd Ed) and EN 60950-1:2006/A11:2009/A1:2010/A12:2011/A2:2013
Reinforced insulation Maximum transient isolation voltage, 8000 V _{PK} ; Maximum repetitive peak isolation voltage, 2121 V _{PK} (DW), 2828 V _{PK} (DWW); Maximum surge isolation voltage, 8000 V _{PK}	Reinforced insulation per CSA 60950-1-07+A1+A2 and IEC 60950-1 2nd Ed., 800 V _{RMS} (DW package) and 1450 V _{RMS} (DWW package) max working voltage (pollution degree 2, material group I); 2 MOPP (Means of Patient Protection) per CSA 60601-1:14 and IEC 60601-1 Ed. 3.1, 250 V _{RMS} (354 V _{PK}) max working voltage (DW package)	Single protection, 5700 V _{RMS}	Reinforced Insulation, Altitude ≤ 5000 m, Tropical Climate, 250 V _{RMS} maximum working voltage	5700 V _{RMS} Reinforced insulation per EN 61010-1:2010 (3rd Ed) up to working voltage of 600 V _{RMS} (DW package) and 1000 V _{RMS} (DWW package) 5700 V _{RMS} Reinforced insulation per EN 60950-1:2006/A11:2009/A1:2010/A12:2011/A2:2013 up to working voltage of 800 V _{RMS} (DW package) and 1450 V _{RMS} (DWW package)
Certification planned	Certification planned	Certification planned	Certification planned	Certification planned

6.8 Safety Limiting Values

Safety limiting intends to minimize potential damage to the isolation barrier upon failure of input or output circuitry. A failure of the I/O can allow low resistance to ground or the supply and, without current limiting, dissipate sufficient power to overheat the die and damage the isolation barrier potentially leading to secondary system failures.

PARAMETER		TEST CONDITIONS	MIN	TYP	MAX	UNIT
DW PACKAGE						
I _S	Safety input, output, or supply current	R _{θJA} = 82°C/W, V _I = 5.5 V, T _J = 150°C, T _A = 25°C, see Figure 3			277	mA
		R _{θJA} = 82°C/W, V _I = 3.6 V, T _J = 150°C, T _A = 25°C, see Figure 3			423	
P _S	Safety input, output, or total power	R _{θJA} = 82°C/W, T _J = 150°C, T _A = 25°C, see Figure 5			1524	mW
T _S	Maximum safety temperature				150	°C
DWW PACKAGE						
I _S	Safety input, output, or supply current	R _{θJA} = 84.6°C/W, V _I = 5.5 V, T _J = 150°C, T _A = 25°C, see Figure 4			269	mA
		R _{θJA} = 84.6°C/W, V _I = 3.6 V, T _J = 150°C, T _A = 25°C, see Figure 4			410	
P _S	Safety input, output, or total power	R _{θJA} = 84.6°C/W, T _J = 150°C, T _A = 25°C, see Figure 6			1478	mW
T _S	Maximum safety temperature				150	°C

The maximum safety temperature is the maximum junction temperature specified for the device. The power dissipation and junction-to-air thermal impedance of the device installed in the application hardware determines the junction temperature. The assumed junction-to-air thermal resistance in the [Thermal Information](#) is that of a device installed on a High-K test board for leaded surface-mount packages. The power is the recommended maximum input voltage times the current. The junction temperature is then the ambient temperature plus the power times the junction-to-air thermal resistance.

6.9 DC Electrical Characteristics

(over recommended operating conditions unless otherwise noted)

PARAMETER		TEST CONDITIONS	MIN	TYP	MAX	UNIT
GENERAL						
$I_{IN(EN)}$	Leakage Current on ENx pins	Internal pullup on ENx pins		13	40	μ A
$V_{CC+(UVLO)}$	Positive-going undervoltage-lockout (UVLO) threshold				2.25	V
$V_{CC-(UVLO)}$	Negative-going UVLO threshold		1.7			V
$V_{HYS(UVLO)}$	UVLO threshold hysteresis			0.2		V
$V_{EN(ON)}$	EN pin turn-on threshold				$0.7 V_{CCx}$	V
$V_{EN(OFF)}$	EN pin turn-off threshold		$0.3 V_{CCx}$			V
$V_{EN(HYS)}$	EN pin threshold hysteresis			$0.1 V_{CCx}$		V
CMTI	Common-mode transient immunity	$V_I = V_{CCI}^{(1)}$ or 0 V; $V_{CM} = 1000$ V, see Figure 22	100	120		kV/ μ s
LVDS TX						
$ V_{OD} $	TX DC output differential voltage	$R_L = 100 \Omega$, see Figure 23	250	350	450	mV
ΔV_{OD}	Change in TX DC output differential between logic 1 and 0 states	$R_L = 100 \Omega$, see Figure 23	-10	0	10	mV
V_{OC}	TX DC output common-mode voltage	$R_L = 100 \Omega$, see Figure 23	1.125	1.2	1.375	V
ΔV_{OC}	TX DC common-mode voltage difference	$R_L = 100 \Omega$, see Figure 23	-25	0	25	mV
I_{OS}	TX output short circuit current through OUTx	OUTx = 0			10	mA
		OUTxP = OUTxM			10	
I_{OZ}	TX output current when in high impedance	ENx = 0, OUTx from 0 to V_{CCx}	-5		5	μ A
C_{OUT}	TX output pad capacitance on OUTx at 1 MHz	DW package: ENx = 0, DC offset = $V_{CC} / 2$, Swing = 200 mV, Frequency (f) = 1 MHz		10		pF
		DWW package: ENx = 0, DC offset = $V_{CC} / 2$, Swing = 200 mV, Frequency (f) = 1 MHz		10		
LVDS RX						
V_{IC}	RX input common mode voltage	$V_{CCx} \geq 3$ V	$0.5 V_{ID} $	1.2	$2.4 - 0.5 V_{ID} $	V
V_{IT1}	Positive going RX input differential threshold	Across V_{IC}			50	mV
V_{IT2}	Negative going RX input differential threshold	Across V_{IC}	-50			mV
I_{INx}	Input current on INx	From 0 to V_{CC} (each input independently)		10	20	μ A
$I_{INxP} - I_{INxM}$	Input current balance	From 0 to V_{CC}	-6		6	μ A
C_{IN}	RX input pad capacitance on INx at 1 MHz	DW package: DC offset = 1.2 V, Swing = 200 mV, f = 1 MHz		6.6		pF
		DWW package: DC offset = 1.2 V, Swing = 200 mV, f = 1 MHz		7.5		

 (1) V_{CCI} = Input-side V_{CCx} ; V_{CCO} = Output-side V_{CCx} .

6.10 DC Supply Current Characteristics

(over recommended operating conditions unless otherwise noted)

PARAMETER		TEST CONDITIONS	MIN	TYP	MAX	UNIT
I_{CC1} I_{CC2} Supply current side 1 and side 2	$3\text{ V} < V_{CC1},$ $V_{CC2} < 3.6\text{ V}$	EN1 = EN2 = 0, OUTx floating, $V_{ID} \geq 50\text{ mV}$	2.3	3.6		mA
		EN1 = EN2 = 0, OUTx floating, $V_{ID} \leq -50\text{ mV}$	3.5	5.6		
		EN1 = EN2 = 1, $R_L = 100\text{-}\Omega$ differential, $V_{ID} \geq 50\text{ mV}$	6.2	9.9		
		EN1 = EN2 = 1, $R_L = 100\text{-}\Omega$ differential, $V_{ID} \leq -50\text{ mV}$	7.5	12		
		EN1 = EN2 = 1, $R_L = 100\text{-}\Omega$ differential, data communication at 50 Mbps	7.6	12.1		
		EN1 = EN2 = 1, $R_L = 100\text{-}\Omega$ differential, data communication at 125 Mbps	8.5	13.6		
		EN1 = EN2 = 1, $R_L = 100\text{-}\Omega$ differential, data communication at 150 Mbps	8.9	14.2		
	$4.5\text{ V} < V_{CC1},$ $V_{CC2} < 5.5\text{ V}$	EN1 = EN2 = 0, OUTx floating, $V_{ID} \geq 50\text{ mV}$	2.3	3.6		
		EN1 = EN2 = 0, OUTx floating, $V_{ID} \leq -50\text{ mV}$	3.6	5.7		
		EN1 = EN2 = 1, $R_L = 100\text{-}\Omega$ differential, $V_{ID} \geq 50\text{ mV}$	6.6	10.5		
		EN1 = EN2 = 1, $R_L = 100\text{-}\Omega$ differential, $V_{ID} \leq -50\text{ mV}$	7.9	12.6		
		EN1 = EN2 = 1, $R_L = 100\text{-}\Omega$ differential, data communication at 50 Mbps	8.3	13.2		
		EN1 = EN2 = 1, $R_L = 100\text{-}\Omega$ differential, data communication at 125 Mbps	9.7	15.5		
		EN1 = EN2 = 1, $R_L = 100\text{-}\Omega$ differential, data communication at 150 Mbps	10.3	16.4		

6.11 Timing Requirements for Distortion Correction Scheme

Valid data = 8b10b like data with DC balance and bounded disparity. See [Figure 25](#).

		MIN	NOM	MAX	UNIT
t_{CALIB}	Time to complete internal calibration, after exiting idle state. LVDS TX output is held high during this time. During this time valid data must be presented at the receiver.	250		750	μs
t_{IDLE}	The minimum duration of any idle state that must be maintained between valid data transmissions.	10			μs
t_{IDLE_OUT}	After a channel enters idle state, the internal calibration loses lock after this time, and the LVDS outputs are gated high.	200		600	ns

6.12 Switching Characteristics

(over recommended operating conditions unless otherwise noted)

PARAMETER		TEST CONDITIONS	MIN	TYP	MAX	UNIT
LVDS CHANNEL						
t_{PLH} t_{PHL}	Propagation delay time			17	25	ns
$t_{sk(o)}$	Channel-to-channel output skew time	Opposite directional channels, same voltage and temperature			4.5	ns
$t_{sk(pp)}$	Part-part skew	Same directional channels, same voltage and temperature			4.5	ns
t_{CMset}	Common-mode setting time after EN = 0 to EN = 1 transition	Common-mode capacitive load = 100 pF to 0.5 nF			20	μs
Total eye closure		DC balanced data with maximum run length of 6 at 125 Mbps, RX $V_{ID} = 350$ mV _{PP} , 1 ns t_{rf} 10%-90%, $-40 < T_A < 125^\circ\text{C}$, $3\text{ V} < V_{CC1}$, $V_{CC2} < 5\text{ V}$			30%	
		DC balanced data with maximum run length of 6 at 150 Mbps, RX $V_{ID} = 350$ mV _{PP} , 1 ns t_{rf} 10%-90%, $-40 < T_A < 125^\circ\text{C}$, $3\text{ V} < V_{CC1}$, $V_{CC2} < 5\text{ V}$			40%	
t_{fs}	Default output delay time from input power loss	Measured from the time V_{CC} goes below 1.7 V, see Figure 21		0.2	9	μs
LVDS TX AND RX						
t_{rf}	TX differential rise and fall times (20% to 80%)	See Figure 19	300	780	1380	ps
$\Delta V_{OC(pp)}$	TX common-mode voltage peak-to-peak at 100 Mbps			0	150	mV _{PP}
t_{PLZ} , t_{PHZ}	TX disable time—valid output to HiZ	See Figure 20		10	20	ns
t_{PZH}	TX enable time—HiZ to valid high output ⁽¹⁾	See Figure 20		10	20	ns
$ V_{ID} $	Magnitude of RX input differential voltage for valid operation	Driven with voltage sources on RX pins, see figures in the Parameter Measurement Information section	100		600	mV
$t_{rf(RX)}$	Allowed RX input differential rise and fall times (20% to 80%)	See Figure 24		1	$0.3 \times UI^{(2)}$	ns

(1) The t_{PZL} parameter is not defined because of the distortion-correction scheme. See the [Distortion-Correction Scheme](#) section for more information.

(2) UI is the unit interval.

6.13 Insulation Characteristics Curves

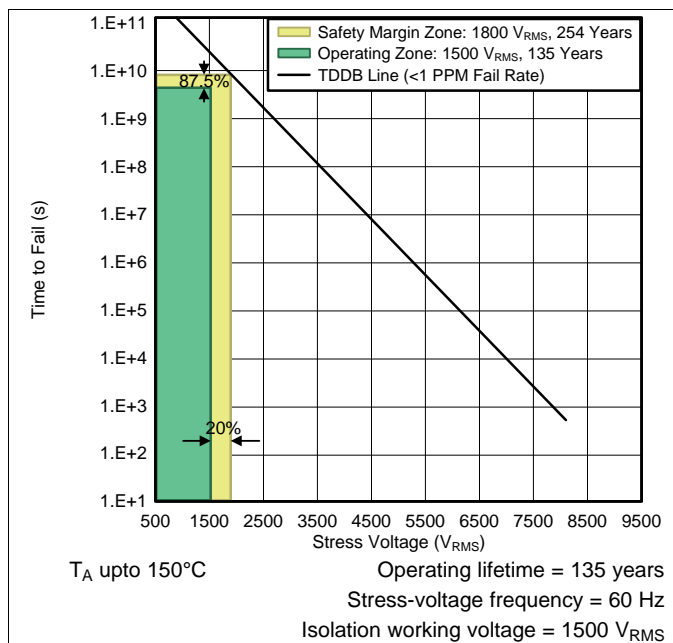


Figure 1. Reinforced Isolation Capacitor Lifetime Projection for Devices in DW Package

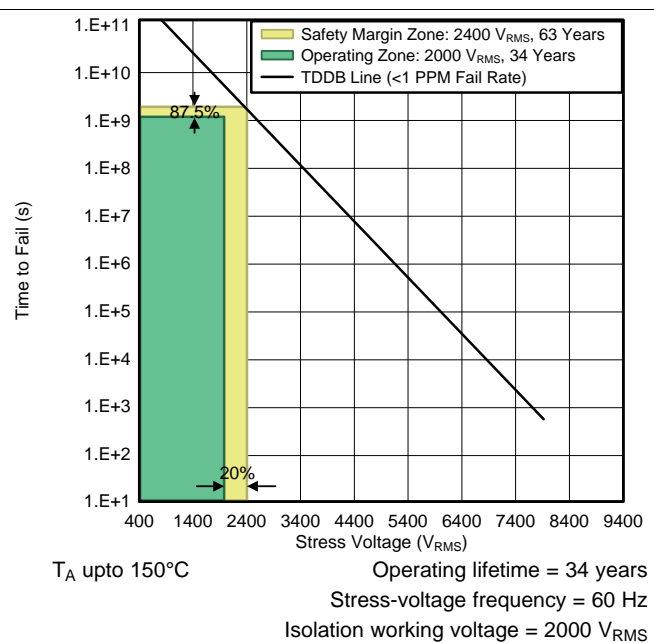


Figure 2. Reinforced Isolation Capacitor Lifetime Projection for Devices in DWW Package

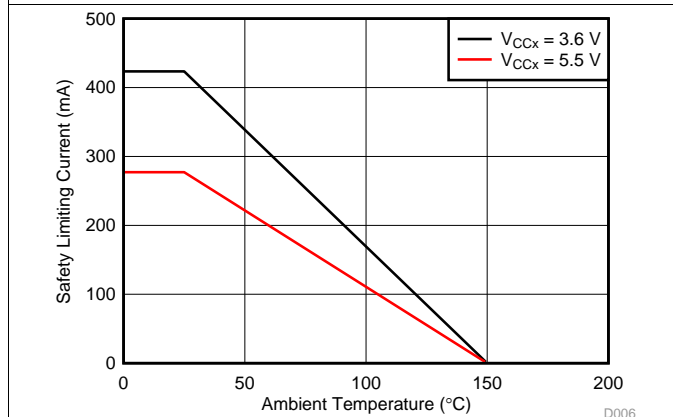


Figure 3. Thermal Derating Curve for Limiting Current for DW Package

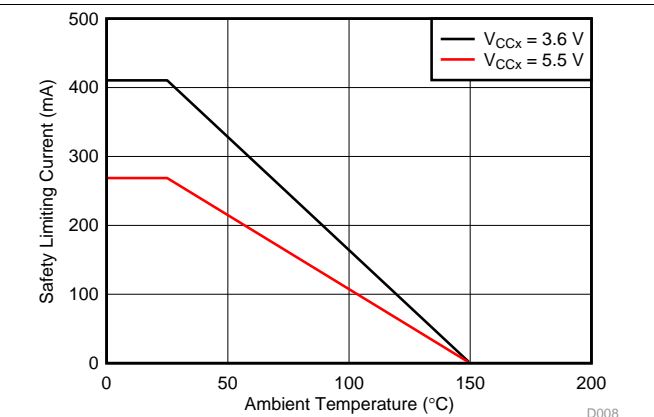


Figure 4. Thermal Derating Curve for Limiting Current for DWW Package

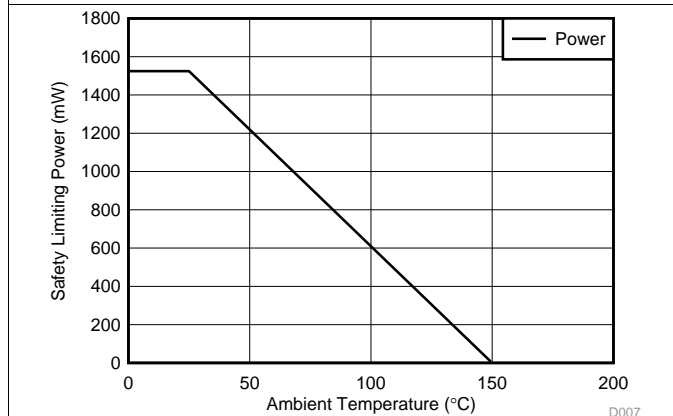


Figure 5. Thermal Derating Curve for Limiting Power for DW Package

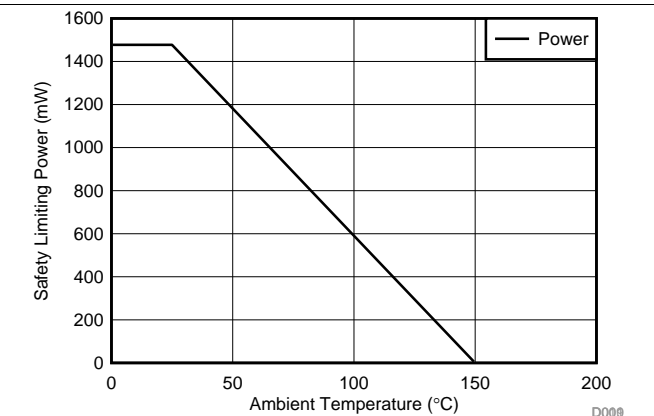


Figure 6. Thermal Derating Curve for Limiting Power for DWW Package

6.14 Typical Characteristics

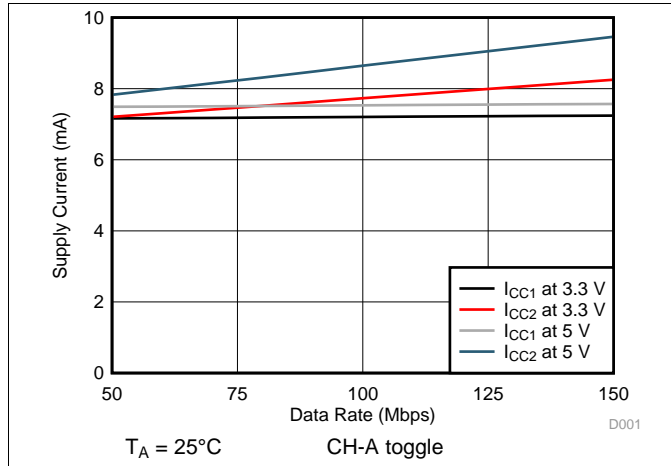


Figure 7. Supply Current vs Data Rate (CH-A)

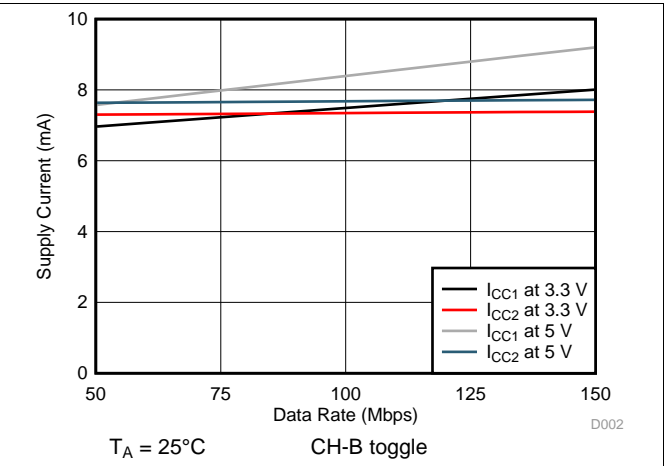


Figure 8. Supply Current vs Data Rate (CH-B)

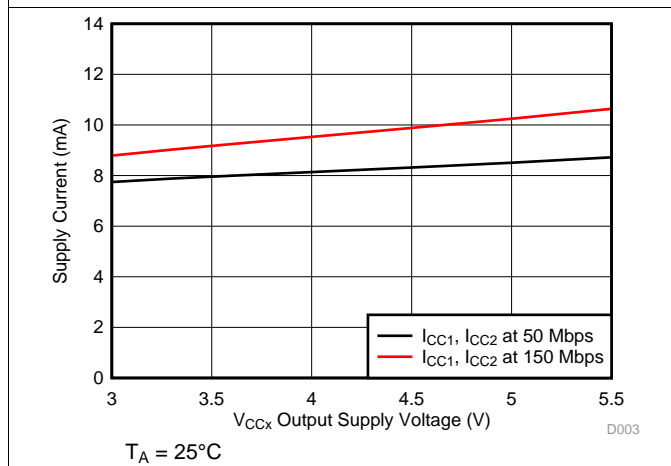


Figure 9. Supply Current vs V_{CCx} Output Supply Voltage

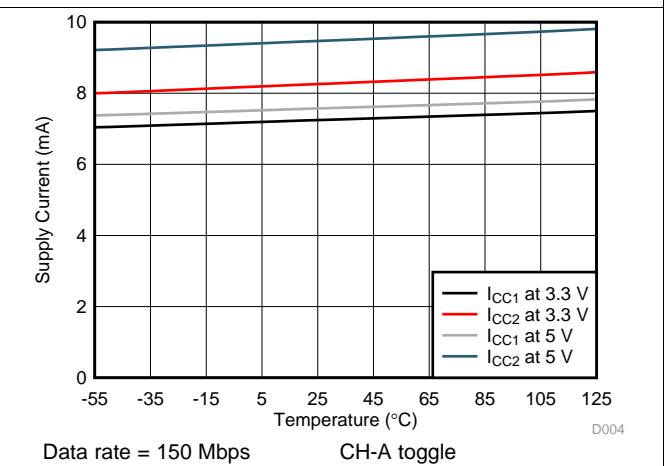


Figure 10. Supply Current vs Temperature (CH-A)

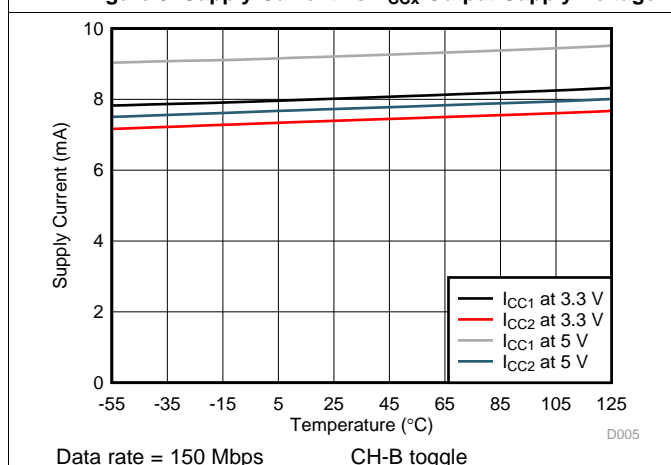


Figure 11. Supply Current vs Temperature (CH-B)

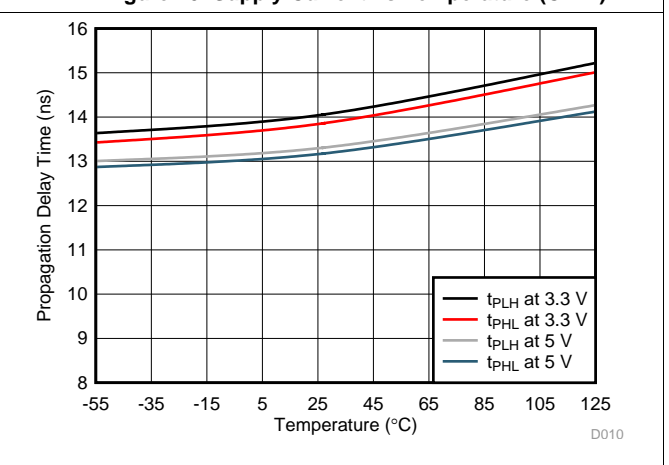


Figure 12. Propagation Delay Time vs Temperature

Typical Characteristics (continued)

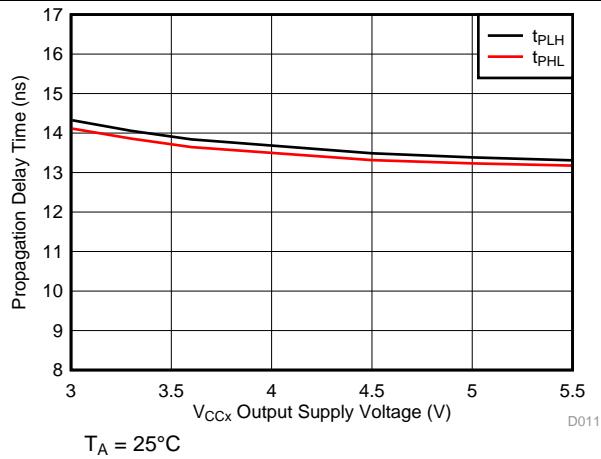


Figure 13. Propagation Delay Time vs V_{CCx} Output Supply Voltage

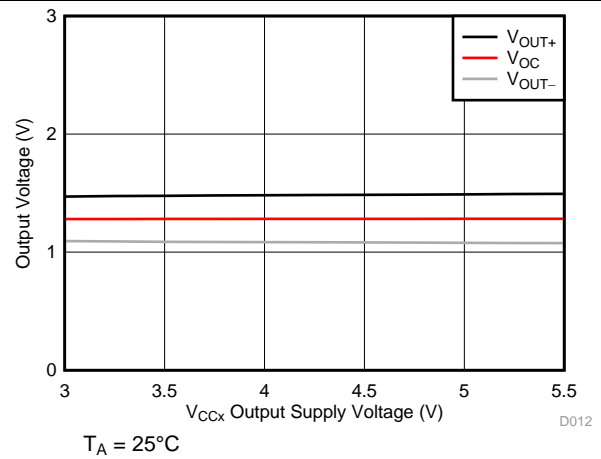


Figure 14. Output Voltage vs V_{CCx} Output Supply Voltage

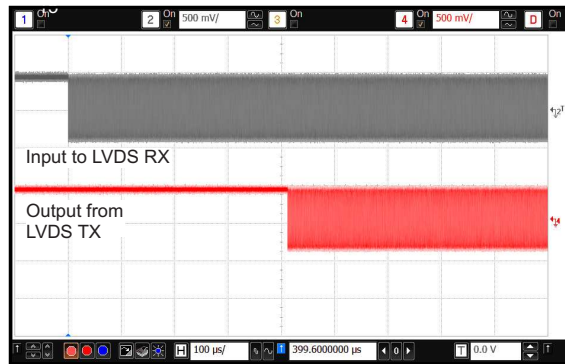


Figure 15. Distortion Correction Scheme Calibration Time (t_{CALIB})

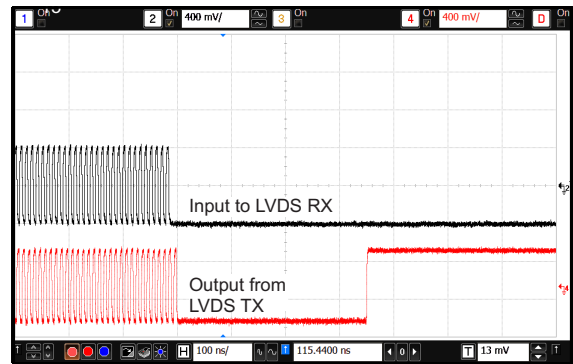


Figure 16. Transition From Valid Data to Idle (t_{DLE_OUT})



Figure 17. Disable to Enable Time (t_{PZH})

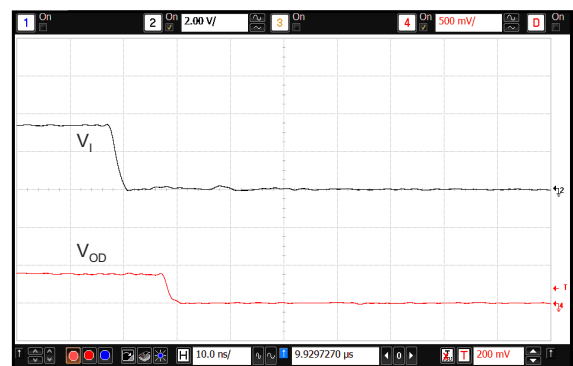
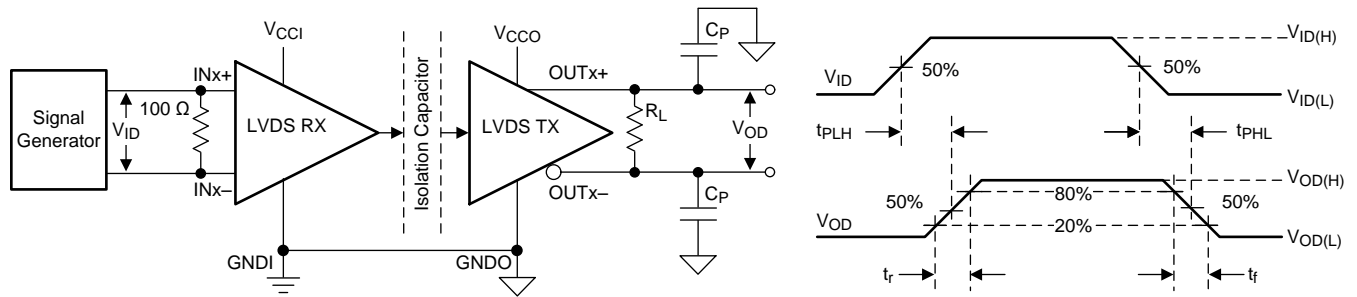


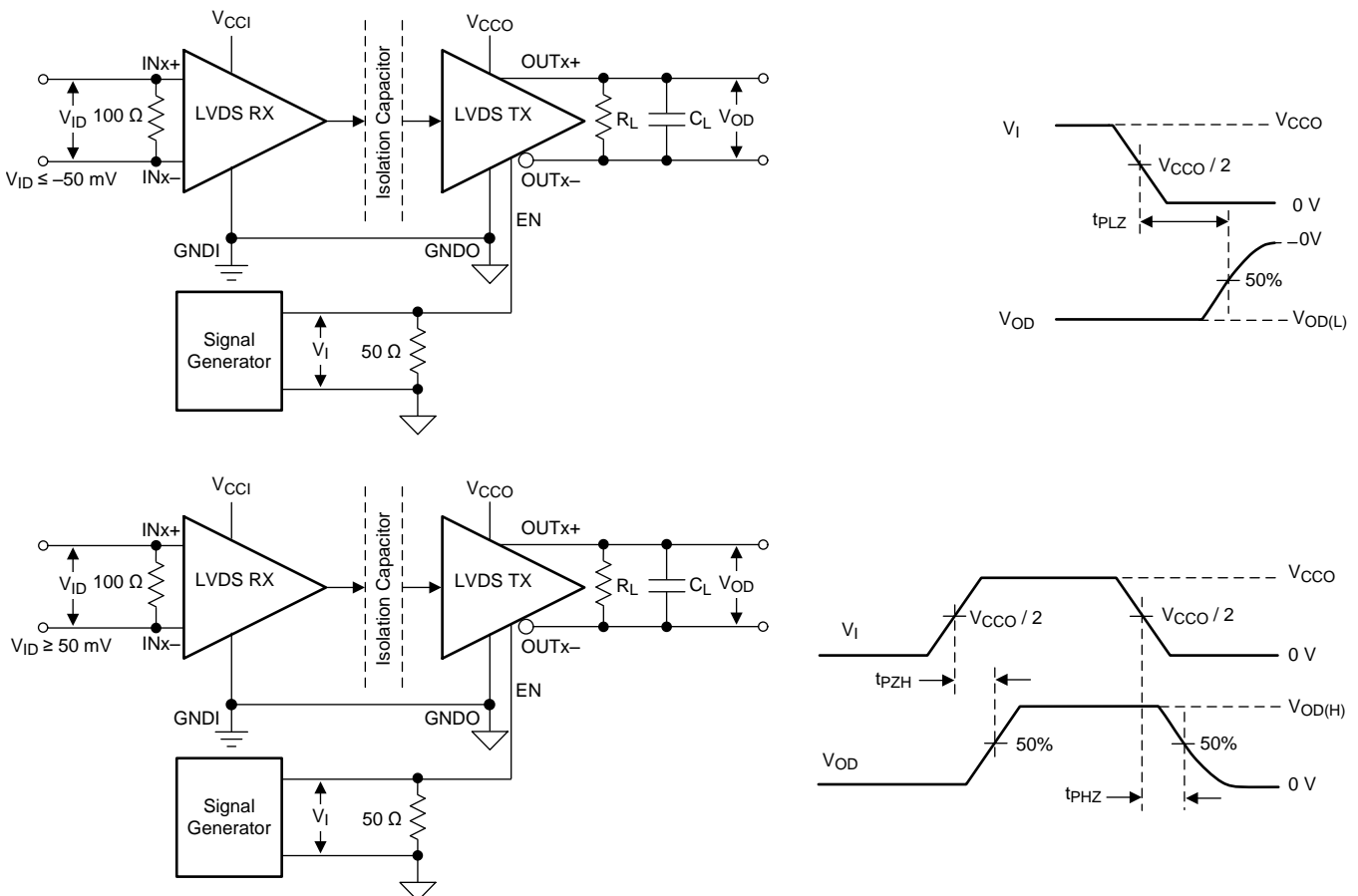
Figure 18. Disable Time (t_{PLZ} , t_{PHZ})

7 Parameter Measurement Information



- A. The input pulse is supplied by a generator having the following characteristics: PRR \leq 50 kHz, 50% duty cycle, $t_r \leq 3$ ns, $t_f \leq 3$ ns, $Z_O = 50 \Omega$.
- B. $C_p = 5$ pF and includes instrumentation and fixture capacitance within $\pm 20\%$.

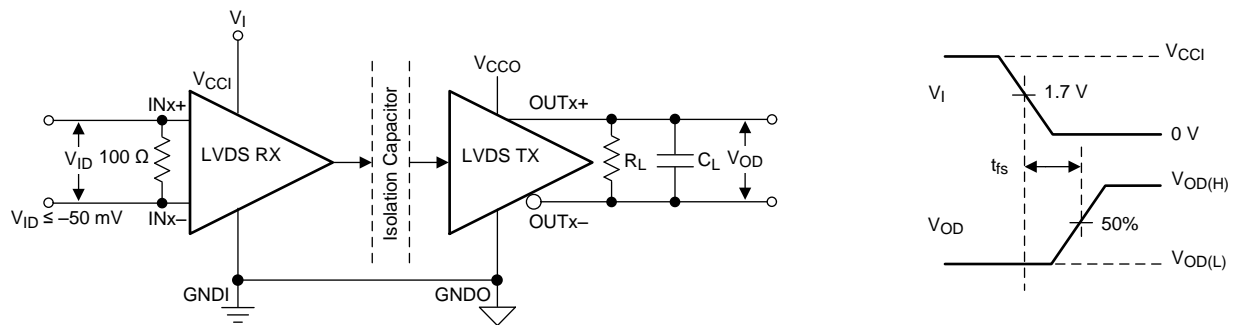
Figure 19. Switching Characteristics Test Circuit and Voltage Waveforms



- A. The input pulse is supplied by a generator having the following characteristics: PRR \leq 10 kHz, 50% duty cycle, $t_r \leq 3$ ns, $t_f \leq 3$ ns, $Z_O = 50 \Omega$.
- B. $C_L = 5$ pF and includes instrumentation and fixture capacitance within $\pm 20\%$.

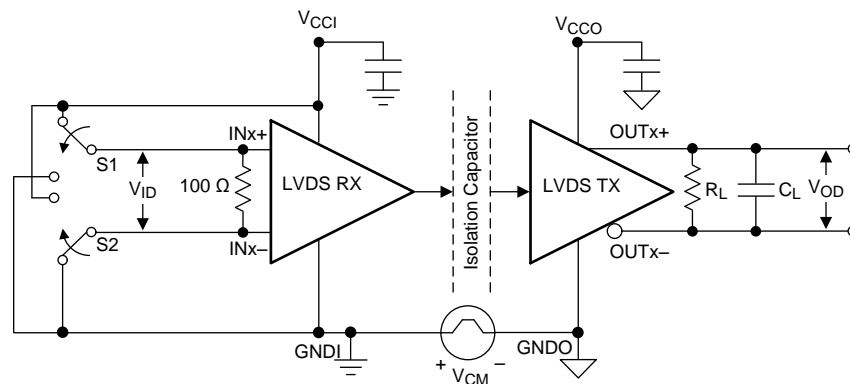
Figure 20. Enable and Disable Propagation Delay Time Test Circuit and Waveform

Parameter Measurement Information (continued)



A. $C_L = 5$ pF and includes instrumentation and fixture capacitance within $\pm 20\%$.

Figure 21. Default Output Delay Time Test Circuit and Voltage Waveforms



A. $C_L = 5$ pF and includes instrumentation and fixture capacitance within $\pm 20\%$.

Figure 22. Common-Mode Transient Immunity Test Circuit

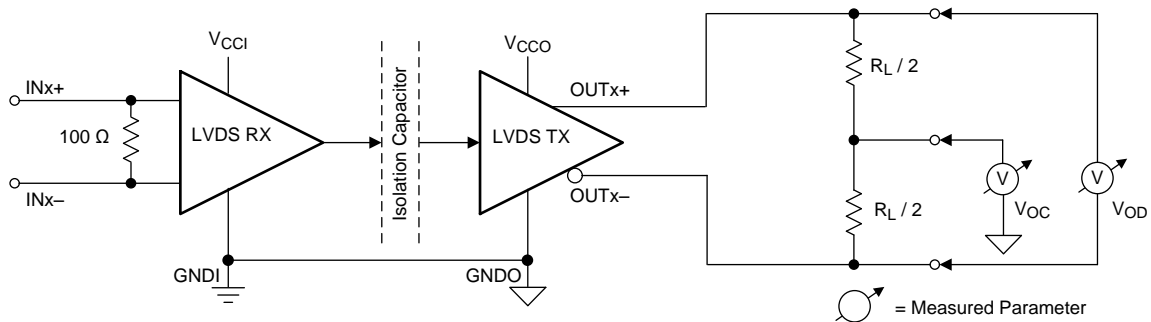
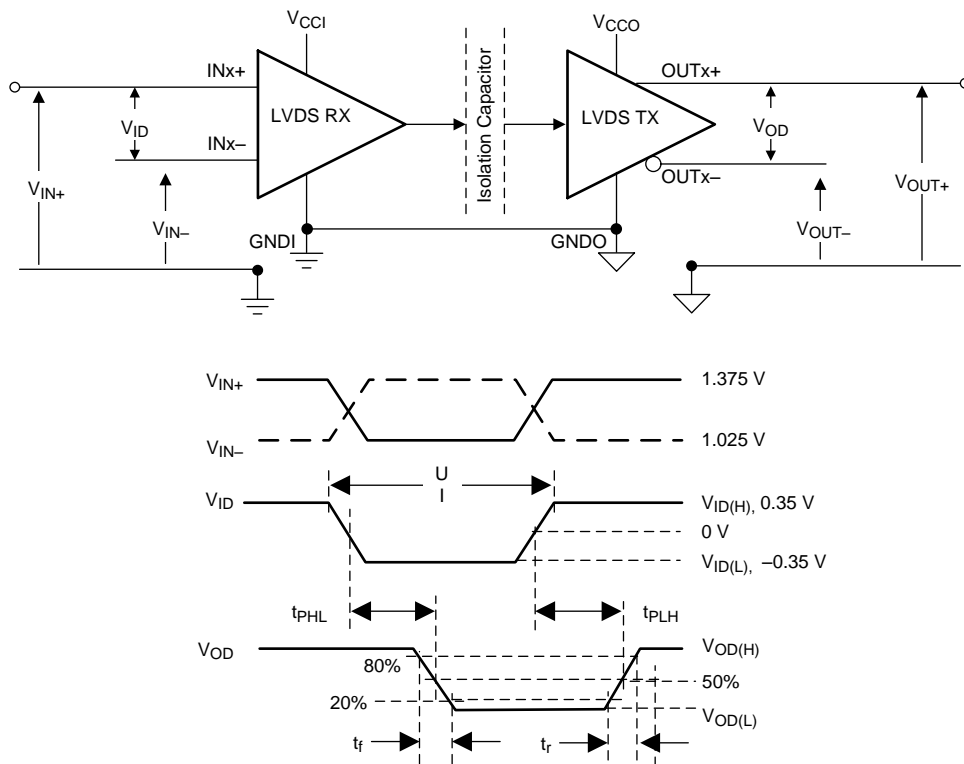


Figure 23. Driver Test Circuit

Parameter Measurement Information (continued)

Figure 24. Voltage Definitions and Waveforms

8 Detailed Description

8.1 Overview

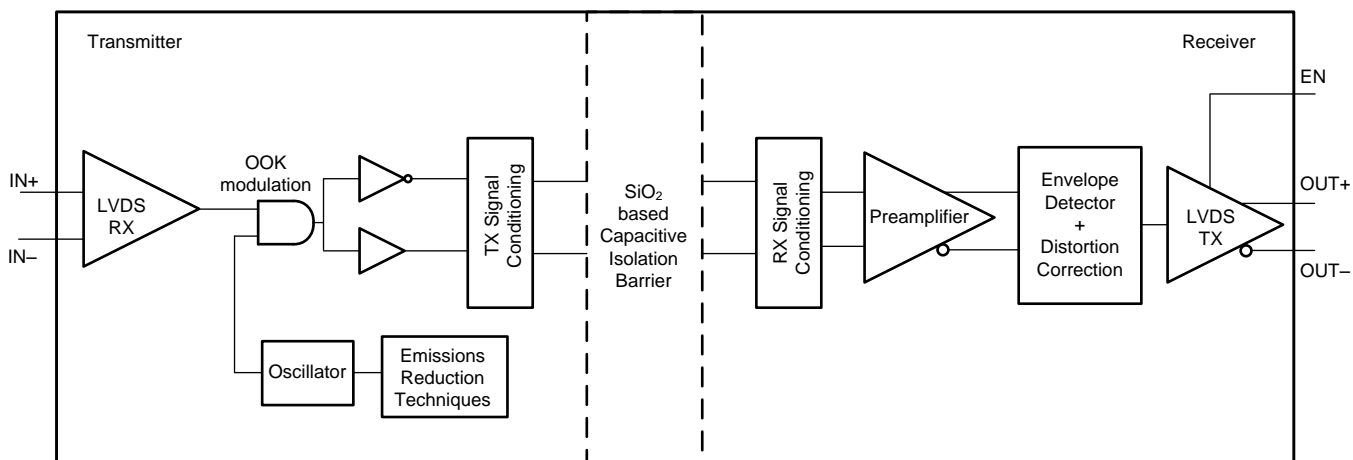
The ISO7821LLS device is an isolated LVDS buffer. The differential signal received on the LVDS input pins is first converted to CMOS logic levels. It is then transmitted across a silicon dioxide based capacitive isolation barrier using an On-Off Keying (OOK) modulation scheme. A high frequency carrier transmitted across the barrier represents one logic state and an absence of a carrier represents the other logic state. On the other side of the barrier a demodulator converts the OOK signal back to logic levels, which is then converted to LVDS outputs by a differential driver. This device incorporates advanced circuit techniques to maximize CMTI performance and minimize radiated emissions.

The ISO7821LLS device implements an eye-diagram improvement scheme to correct for signal distortions that are introduced in the LVDS receiver as well as the isolation channel. This enables the device to guarantee an eye closure of less than 30% at 125 Mbps, and less than 40% at 150 Mbps. The distortion correction scheme is optimized for operation with DC balanced data (for example 8b10b or equivalent) with a maximum run length of 6. The minimum data-rate of operation is also constrained to 50 Mbps. For general purpose data communication from 0 to 100 Mbps, the ISO782xLL family of devices should be considered.

The ISO7821LLS device is TIA/EIA-644-A standard compliant. The LVDS transmitter drives a minimum differential-output voltage magnitude of 250 mV into a 100-Ω load, and the LVDS receiver is capable of detecting differential signal ≥ 50 mV in magnitude. The device consumes 11 mA per channel at 150 Mbps with 5-V supplies.

The [Functional Block Diagram](#) section shows a conceptual block diagram of one channel of the ISO7821LLS device.

8.2 Functional Block Diagram



Copyright © 2016, Texas Instruments Incorporated

8.3 Feature Description

The ISO7821LLS device is available in a two-channel configuration with a default differential-high output state. [Table 1](#) lists the device features.

Table 1. Device Features

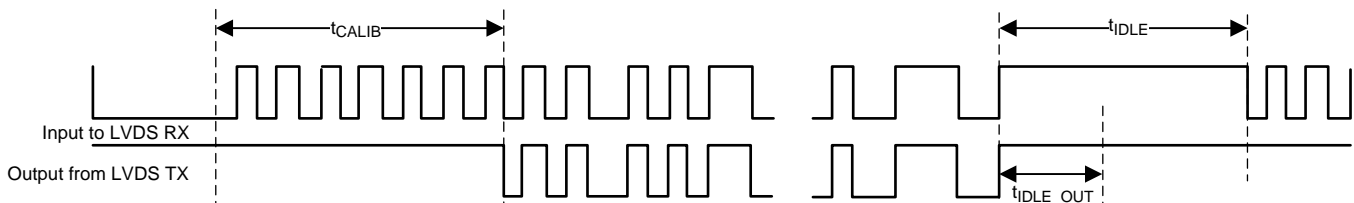
PART NUMBER	CHANNEL DIRECTION	RATED ISOLATION	MAXIMUM DATA RATE	DEFAULT DIFFERENTIAL OUTPUT
ISO7821LLS	1 Forward, 1 Reverse	5700 V _{RMS} / 8000 V _{PK} ⁽¹⁾	150 Mbps	High

(1) See the [Safety-Related Certifications](#) section for detailed isolation ratings.

8.3.1 Distortion-Correction Scheme

The ISO7821LLS device implements a distortion-correction scheme to correct for signal distortions that are introduced in the LVDS receiver as well as the isolation channel. This scheme is optimized for a DC-balanced data-stream with a maximum run length of 6. One example of such a data stream is 8b10b encoded data. The minimum data rate supported by the ISO7821LLS device is 50 Mbps and the maximum is 150 Mbps.

[Figure 25](#) shows the timing requirements associated with the distortion correction scheme (see the [Timing Requirements for Distortion Correction Scheme](#) table for timing parameters). The input to the LVDS channel should be either idle low, idle high, or should have clock or DC-balanced data transitions at 25 MHz / 50 Mbps or higher. Low frequency or DC-unbalanced data is not allowed. The distortion-correction scheme runs an internal calibration each time the LVDS channel transitions from an idle state to a data transmission state. The calibration runs for a period of t_{CALIB} during which the LVDS channel output is held at logic high. This calibration is also run at power up. Lack of activity on the receive inputs for a period greater than t_{IDLE_OUT} takes the channel to an uncalibrated state. If the communication protocol requires the channel to transition to the idle state, the idle-high or idle-low state must be held for at least duration of t_{IDLE} .



- Signals shown are differential logic states.
Logic high $\rightarrow V_{IN+} > V_{IN-}$
Logic low $\rightarrow V_{IN-} > V_{IN+}$
- The data to ISOLVDS channel should be either idle high, idle low, clock, or valid data.
Valid data = 8b10b like data with DC balance and bounded disparity.
- When transitioning from an uncalibrated state to a calibrated state, the ISOLVDS channel output is gated high for up to t_{CALIB} , during which the channel is calibrated.
- If the channel finds no transitions in the incoming data for a period of t_{IDLE_OUT} , the channel goes to an uncalibrated state.
- Power loss (which implies no data transitions) takes the channel to an uncalibrated state.
- If, for some reason, the idle-high or idle-low state must be held on the line, this state must be held for at least t_{IDLE} .

Figure 25. DCD Correction Timing Diagram

8.4 Device Functional Modes

Table 2 lists the functional modes for the ISO7821LLS device.

Table 2. ISO7821LLS Function Table⁽¹⁾

V _{CCI}	V _{CCO}	INPUT (IN _{x±}) ⁽²⁾	OUTPUT ENABLE (EN _x)	OUTPUT (OUT _{x±}) ⁽³⁾	COMMENTS
PU	PU	H	H or open	H	Normal Operation: A channel output assumes the logic state of the input.
		L	H or open	L	
		I	H or open	H or L	
X	PU	X	L	Z	A low-logic state at the output enable causes the outputs to be in high impedance.
PD	PU	X	H or open	H	Default mode: When V _{CCI} is unpowered, a channel output assumes the logic high state. When V _{CCI} transitions from unpowered to powered up, a channel output assumes the logic state of the input. When V _{CCI} transitions from powered up to unpowered, a channel output assumes the selected default high state.
X	PD	X	X	Undetermined	When V _{CCO} is unpowered, a channel output is undetermined. When V _{CCO} transitions from unpowered to powered up, a channel output assumes the logic state of the input

(1) V_{CCI} = Input-side V_{CC}; V_{CCO} = Output-side V_{CC}; PU = Powered up (V_{CCx} ≥ 2.25 V); PD = Powered down (V_{CCx} ≤ 1.7 V); X = Irrelevant
 (2) Input (IN_{x±}): H = high level (V_{ID} ≥ 50 mV); L = low level (V_{ID} ≤ -50 mV); I = indeterminate (-50 mV < V_{ID} < 50 mV)
 (3) Output (OUT_{x±}): H = high level (V_{OD} ≥ 250 mV); L = low level (V_{OD} ≤ -250 mV); Z = high impedance.

8.4.1 Device I/O Schematics

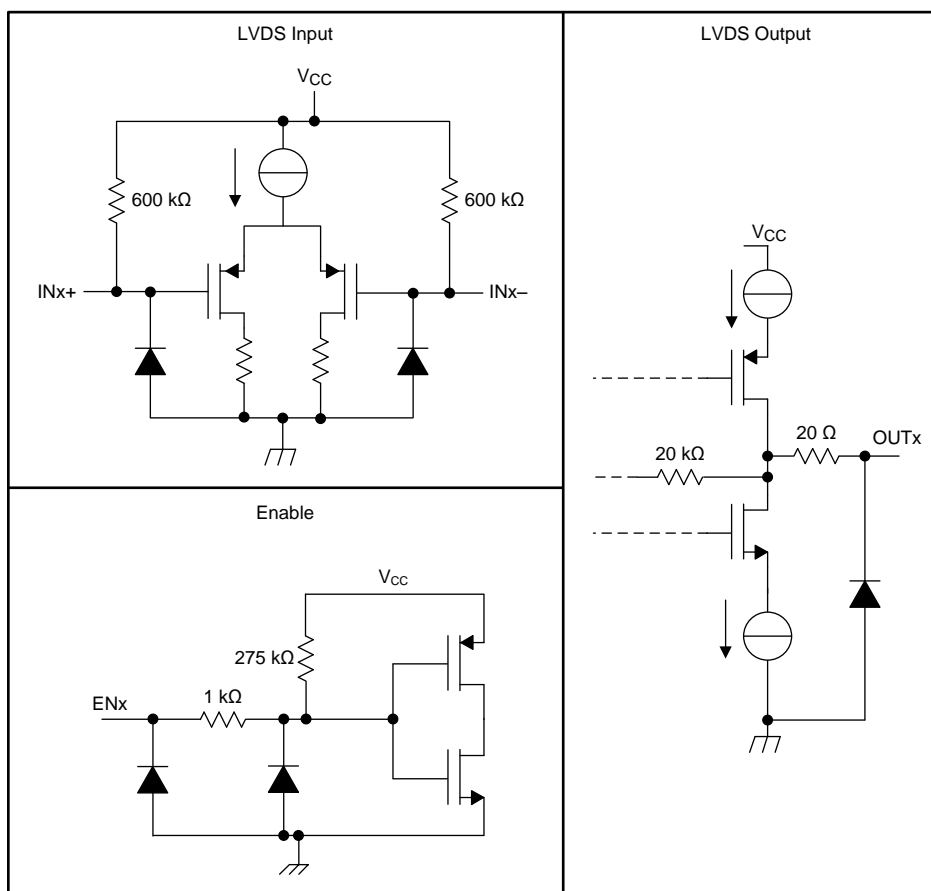


Figure 26. Device I/O Schematics

9 Application and Implementation

NOTE

Information in the following applications sections is not part of the TI component specification, and TI does not warrant its accuracy or completeness. TI's customers are responsible for determining suitability of components for their purposes. Customers should validate and test their design implementation to confirm system functionality.

9.1 Application Information

The ISO7821LLS device is a high-performance, reinforced isolated dual-LVDS buffer. Isolation can be used to help achieve human and system safety, to overcome ground potential difference (GPD), or to improve noise immunity and system performance.

The LVDS signaling can be used over most interfaces to achieve higher data rates because the LVDS is only a physical layer. LVDS can also be used for a proprietary communication scheme implemented between a host controller and a slave. Example use cases include connecting a high-speed I/O module to a host controller, a subsystem connecting to a backplane, and connection between two high-speed subsystems. Many of these systems operate under harsh environments making them susceptible to electromagnetic interferences, voltage surges, electrical fast transients (EFT), and other disturbances. These systems must also meet strict limits on radiated emissions. Using isolation in combination with a robust low-noise signaling standard such as LVDS, achieves both high immunity to noise and low emissions.

Example end applications that could benefit from the ISO7821LLS device include high-voltage motor control, test and measurement, industrial automation, and medical equipment.

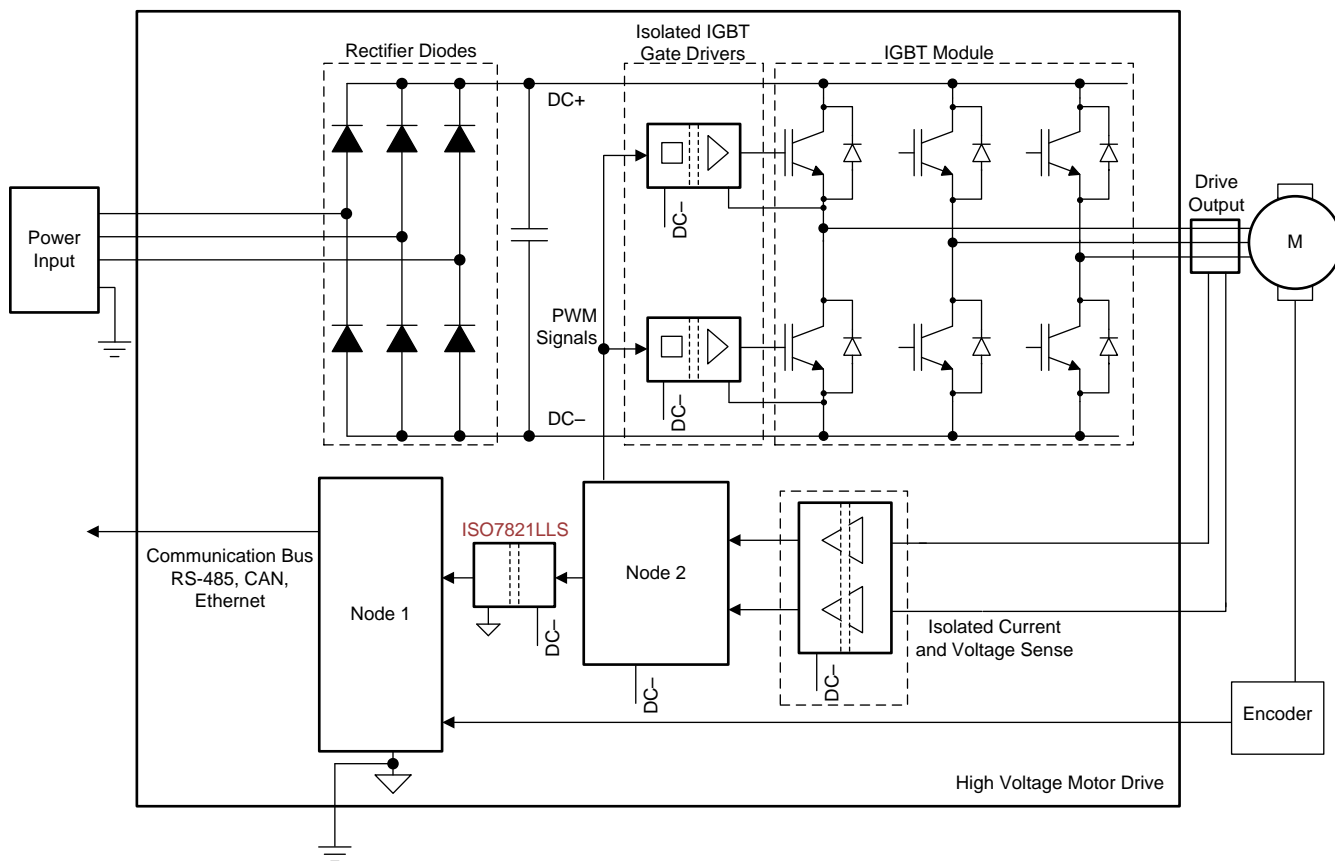
9.2 Typical Application

One application for isolated LVDS buffers is for point-to-point communication between two high-speed capable, application-specific integrated circuits (ASICs) or FPGAs. In a high-voltage motor control application, for example, Node 1 could be a controller on a low-voltage or earth referenced board, and Node 2, could be controller placed on the power board, biased to high voltage. [Figure 27](#) and [Figure 28](#) show the application schematics.

[Figure 28](#) provides further details of using the ISO7821LLS device to isolate the LVDS interface. The LVDS connection to the ISO7821LLS device can be traces on a board (shown as straight lines between Node 1 and the ISO7821LLS device), a twisted pair cable (as shown between Node 2 and the ISO7821LLS device), or any other controlled impedance channel. Differential 100- Ω terminations are placed near each LVDS receiver. The characteristic impedance of the channel should also be 100- Ω differential.

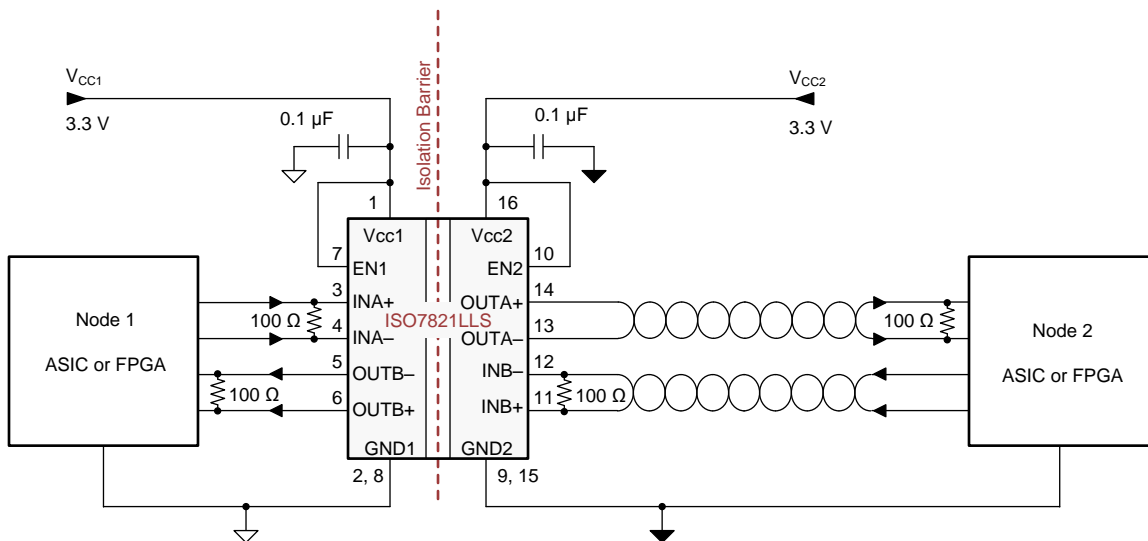
In the example shown in [Figure 27](#) and [Figure 28](#), the ISO7821LLS device provides reinforced or safety isolation between the high-voltage elements of the motor drive and the low-voltage control circuitry. This configuration also ensures reliable communication, regardless of the high conducted and radiated noise present in the system.

Typical Application (continued)



Copyright © 2016, Texas Instruments Incorporated

Figure 27. Isolated LVDS Interface in Motor Control Application



Copyright © 2016, Texas Instruments Incorporated

Figure 28. Isolated LVDS Interface Between Two Nodes (ASIC or FPGA)

Typical Application (continued)

9.2.1 Design Requirements

For the ISO7821LLS device, use the parameters listed in [Table 3](#).

Table 3. Design Parameters

PARAMETER	VALUE
Supply voltage range, V_{CC1} and V_{CC2}	3 V to 5.5 V
Receiver common-mode voltage range	$0.5 V_{ID} $ to $2.4 - 0.5 V_{ID} $
External termination resistance	100 Ω
Interconnect differential characteristic impedance	100 Ω
Signaling rate	50 to 150 Mbps
Decoupling capacitor from V_{CC1} and GND1	0.1 μF
Decoupling capacitor from V_{CC2} and GND2	0.1 μF

9.2.2 Detailed Design Procedure

The ISO7821LLS device has minimum requirements on external components for correct operation. External bypass capacitors (0.1 μF) are required for both supplies (V_{CC1} and V_{CC2}). A termination resistor with a value of 100 Ω is required between each differential input pair (INx+ and INx-), with the resistors placed as close to the device pins as possible. A differential termination resistor with a value of 100 Ω is required on the far end for the LVDS transmitters. [Figure 29](#) shows these connections.

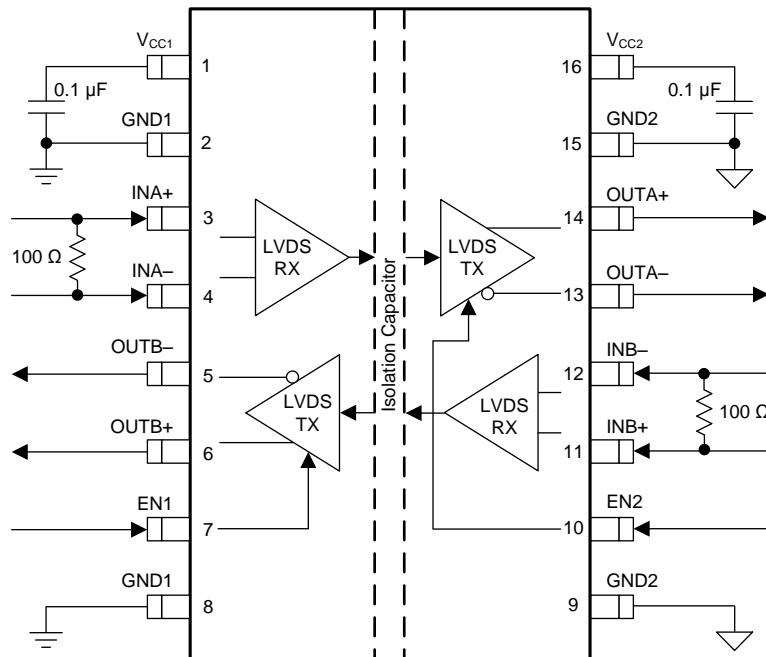


Figure 29. Typical ISO7821LLS Circuit Hook-Up

9.2.2.1 Electromagnetic Compatibility (EMC) Considerations

Many applications in harsh industrial environment are sensitive to disturbances such as electrostatic discharge (ESD), electrical fast transient (EFT), surge and electromagnetic emissions. These electromagnetic disturbances are regulated by international standards such as IEC 61000-4-x and CISPR 22. Although system-level performance and reliability depends, to a large extent, on the application board design and layout, the ISO7821LLS device incorporates many chip-level design improvements for overall system robustness. Some of these improvements include:

- Robust ESD protection cells for input and output signal pins and inter-chip bond pads.
- Low-resistance connectivity of ESD cells to supply and ground pins.
- Enhanced performance of high voltage isolation capacitor for better tolerance of ESD, EFT and surge events.
- Bigger on-chip decoupling capacitors to bypass undesirable high energy signals through a low impedance path.
- PMOS and NMOS devices isolated from each other by using guard rings to avoid triggering of parasitic SCRs.
- Reduced common mode currents across the isolation barrier by ensuring purely differential internal operation.

9.2.3 Application Curve

Figure 30 shows a typical eye diagram of the ISO7821LLS device which indicates low jitter and a wide-open eye at the maximum data rate of 150 Mbps.

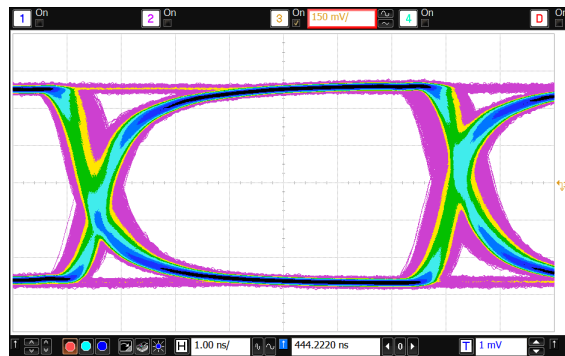


Figure 30. Eye Diagram at 150 Mbps PRBS, 3.3 V and 25°C

10 Power Supply Recommendations

To help ensure reliable operation at data rates and supply voltages, a 0.1- μ F bypass capacitor is recommended at the input and output supply pins (V_{CC1} and V_{CC2}). The capacitors should be placed as close to the supply pins as possible. If only a single primary-side power supply is available in an application, isolated power can be generated for the secondary-side with the help of a transformer driver such as Texas Instruments' [SN6501](#) or [SN6505](#). For such applications, detailed power supply design and transformer selection recommendations are available in the following data sheets: [SN6501 Transformer Driver for Isolated Power Supplies](#) (SLLSEA0) and [SN6505 Low-Noise 1-A Transformer Drivers for Isolated Power Supplies](#) (SLLSEP9).

11 Layout

11.1 Layout Guidelines

A minimum of four layers is required to accomplish a low EMI PCB design (see [Figure 31](#)). Layer stacking should be in the following order (top-to-bottom): high-speed signal layer, ground plane, power plane and low-frequency signal layer.

- Routing the high-speed traces on the top layer avoids the use of vias (and the introduction of their inductances) and allows for clean interconnects between the isolator and the transmitter and receiver circuits of the data link.
- Placing a solid ground plane next to the high-speed signal layer establishes controlled impedance for transmission line interconnects and provides an excellent low-inductance path for the return current flow.
- Placing the power plane next to the ground plane creates additional high-frequency bypass capacitance of approximately 100 pF/in².
- Routing the slower speed control signals on the bottom layer allows for greater flexibility as these signal links usually have margin to tolerate discontinuities such as vias.
- While routing differential traces on a board, TI recommends that the distance between two differential pairs be much higher (at least 2x) than the distance between the traces in a differential pair. This distance minimizes crosstalk between the two differential pairs.

If an additional supply voltage plane or signal layer is needed, add a second power or ground plane system to the stack to keep it symmetrical. This makes the stack mechanically stable and prevents it from warping. Also the power and ground plane of each power system can be placed closer together, thus increasing the high-frequency bypass capacitance significantly.

The ISO7821LLS device requires no special layout considerations to mitigate electromagnetic emissions.

For detailed layout recommendations, see the application note, [Digital Isolator Design Guide](#) (SLLA284).

11.1.1 PCB Material

For digital circuit boards operating at less than 150 Mbps (or rise and fall times higher than 1 ns) and trace lengths of up to 10 inches, use standard FR-4 UL94V-0 epoxy-glass as PCB material. This PCB is preferred over cheaper alternatives because of lower dielectric losses at high frequencies, less moisture absorption, greater strength and stiffness, and self-extinguishing flammability-characteristics.

11.2 Layout Example

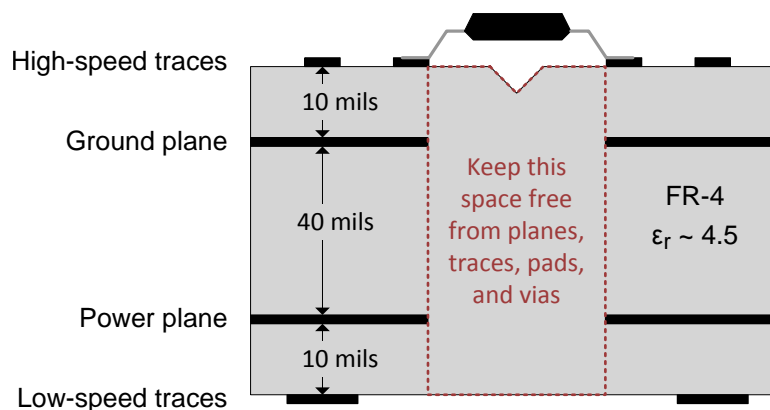


Figure 31. Layout Example

12 Device and Documentation Support

12.1 Documentation Support

12.1.1 Related Documentation

For related documentation see the following:

- [Digital Isolator Design Guide](#) (SLLA284)
- [ISO782xLLx Isolated Dual LVDS Buffer Evaluation Module](#) (SLLU240)
- [Isolation Glossary](#) (SLLA353)
- [LVDS Owner's Manual](#) (SNLA187)
- [SN6501 Transformer Driver for Isolated Power Supplies](#) (SLLSEA0)
- [SN6505 Low-Noise 1-A Transformer Drivers for Isolated Power Supplies](#) (SLLSEP9)

12.2 Receiving Notification of Documentation Updates

To receive notification of documentation updates — go to the product folder for your device on ti.com. In the upper right-hand corner, click the *Alert me* button to register and receive a weekly digest of product information that has changed (if any). For change details, check the revision history of any revised document.

12.3 Community Resources

The following links connect to TI community resources. Linked contents are provided "AS IS" by the respective contributors. They do not constitute TI specifications and do not necessarily reflect TI's views; see TI's [Terms of Use](#).

TI E2E™ Online Community *TI's Engineer-to-Engineer (E2E) Community*. Created to foster collaboration among engineers. At e2e.ti.com, you can ask questions, share knowledge, explore ideas and help solve problems with fellow engineers.

Design Support *TI's Design Support* Quickly find helpful E2E forums along with design support tools and contact information for technical support.

12.4 Trademarks

E2E is a trademark of Texas Instruments.
All other trademarks are the property of their respective owners.

12.5 Electrostatic Discharge Caution



This integrated circuit can be damaged by ESD. Texas Instruments recommends that all integrated circuits be handled with appropriate precautions. Failure to observe proper handling and installation procedures can cause damage.

ESD damage can range from subtle performance degradation to complete device failure. Precision integrated circuits may be more susceptible to damage because very small parametric changes could cause the device not to meet its published specifications.

12.6 Glossary

[SLYZ022](#) — *TI Glossary*.

This glossary lists and explains terms, acronyms, and definitions.

13 Mechanical, Packaging, and Orderable Information

The following pages include mechanical, packaging, and orderable information. This information is the most current data available for the designated devices. This data is subject to change without notice and revision of this document. For browser-based versions of this data sheet, refer to the left-hand navigation.

PACKAGING INFORMATION

Orderable part number	Status (1)	Material type (2)	Package Pins	Package qty Carrier	RoHS (3)	Lead finish/ Ball material (4)	MSL rating/ Peak reflow (5)	Op temp (°C)	Part marking (6)
ISO7821LLSDW	Active	Production	SOIC (DW) 16	40 TUBE	Yes	NIPDAU	Level-2-260C-1 YEAR	-55 to 125	ISO7821LLS
ISO7821LLSDW.A	Active	Production	SOIC (DW) 16	40 TUBE	Yes	NIPDAU	Level-2-260C-1 YEAR	-55 to 125	ISO7821LLS
ISO7821LLSDWR	Active	Production	SOIC (DW) 16	2000 LARGE T&R	Yes	NIPDAU	Level-2-260C-1 YEAR	-55 to 125	ISO7821LLS
ISO7821LLSDWR.A	Active	Production	SOIC (DW) 16	2000 LARGE T&R	Yes	NIPDAU	Level-2-260C-1 YEAR	-55 to 125	ISO7821LLS
ISO7821LLSDWW	Active	Production	SOIC (DWW) 16	45 TUBE	Yes	NIPDAU	Level-3-260C-168 HR	-55 to 125	ISO7821LLS
ISO7821LLSDWW.A	Active	Production	SOIC (DWW) 16	45 TUBE	Yes	NIPDAU	Level-3-260C-168 HR	-55 to 125	ISO7821LLS
ISO7821LLSDWWR	Active	Production	SOIC (DWW) 16	1000 LARGE T&R	Yes	NIPDAU	Level-3-260C-168 HR	-55 to 125	ISO7821LLS
ISO7821LLSDWWR.A	Active	Production	SOIC (DWW) 16	1000 LARGE T&R	Yes	NIPDAU	Level-3-260C-168 HR	-55 to 125	ISO7821LLS

(1) **Status:** For more details on status, see our [product life cycle](#).

(2) **Material type:** When designated, preproduction parts are prototypes/experimental devices, and are not yet approved or released for full production. Testing and final process, including without limitation quality assurance, reliability performance testing, and/or process qualification, may not yet be complete, and this item is subject to further changes or possible discontinuation. If available for ordering, purchases will be subject to an additional waiver at checkout, and are intended for early internal evaluation purposes only. These items are sold without warranties of any kind.

(3) **RoHS values:** Yes, No, RoHS Exempt. See the [TI RoHS Statement](#) for additional information and value definition.

(4) **Lead finish/Ball material:** Parts may have multiple material finish options. Finish options are separated by a vertical ruled line. Lead finish/Ball material values may wrap to two lines if the finish value exceeds the maximum column width.

(5) **MSL rating/Peak reflow:** The moisture sensitivity level ratings and peak solder (reflow) temperatures. In the event that a part has multiple moisture sensitivity ratings, only the lowest level per JEDEC standards is shown. Refer to the shipping label for the actual reflow temperature that will be used to mount the part to the printed circuit board.

(6) **Part marking:** There may be an additional marking, which relates to the logo, the lot trace code information, or the environmental category of the part.

Multiple part markings will be inside parentheses. Only one part marking contained in parentheses and separated by a "-" will appear on a part. If a line is indented then it is a continuation of the previous line and the two combined represent the entire part marking for that device.

Important Information and Disclaimer:The information provided on this page represents TI's knowledge and belief as of the date that it is provided. TI bases its knowledge and belief on information provided by third parties, and makes no representation or warranty as to the accuracy of such information. Efforts are underway to better integrate information from third parties. TI has taken and continues to take reasonable steps to provide representative and accurate information but may not have conducted destructive testing or chemical analysis on incoming materials and chemicals. TI and TI suppliers consider certain information to be proprietary, and thus CAS numbers and other limited information may not be available for release.

In no event shall TI's liability arising out of such information exceed the total purchase price of the TI part(s) at issue in this document sold by TI to Customer on an annual basis.

TAPE AND REEL INFORMATION

QUADRANT ASSIGNMENTS FOR PIN 1 ORIENTATION IN TAPE


*All dimensions are nominal

Device	Package Type	Package Drawing	Pins	SPQ	Reel Diameter (mm)	Reel Width W1 (mm)	A0 (mm)	B0 (mm)	K0 (mm)	P1 (mm)	W (mm)	Pin1 Quadrant
ISO7821LLSDWR	SOIC	DW	16	2000	330.0	16.4	10.75	10.7	2.7	12.0	16.0	Q1
ISO7821LLSDWWR	SOIC	DWW	16	1000	330.0	24.4	18.0	10.0	3.0	20.0	24.0	Q1

TAPE AND REEL BOX DIMENSIONS


*All dimensions are nominal

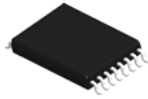
Device	Package Type	Package Drawing	Pins	SPQ	Length (mm)	Width (mm)	Height (mm)
ISO7821LLSDWR	SOIC	DW	16	2000	350.0	350.0	43.0
ISO7821LLSDWWR	SOIC	DWW	16	1000	350.0	350.0	43.0

TUBE


*All dimensions are nominal

Device	Package Name	Package Type	Pins	SPQ	L (mm)	W (mm)	T (μm)	B (mm)
ISO7821LLSDW	DW	SOIC	16	40	506.98	12.7	4826	6.6
ISO7821LLSDW.A	DW	SOIC	16	40	506.98	12.7	4826	6.6
ISO7821LLSDWW	DWW	SOIC	16	45	507	20	5000	9
ISO7821LLSDWW.A	DWW	SOIC	16	45	507	20	5000	9

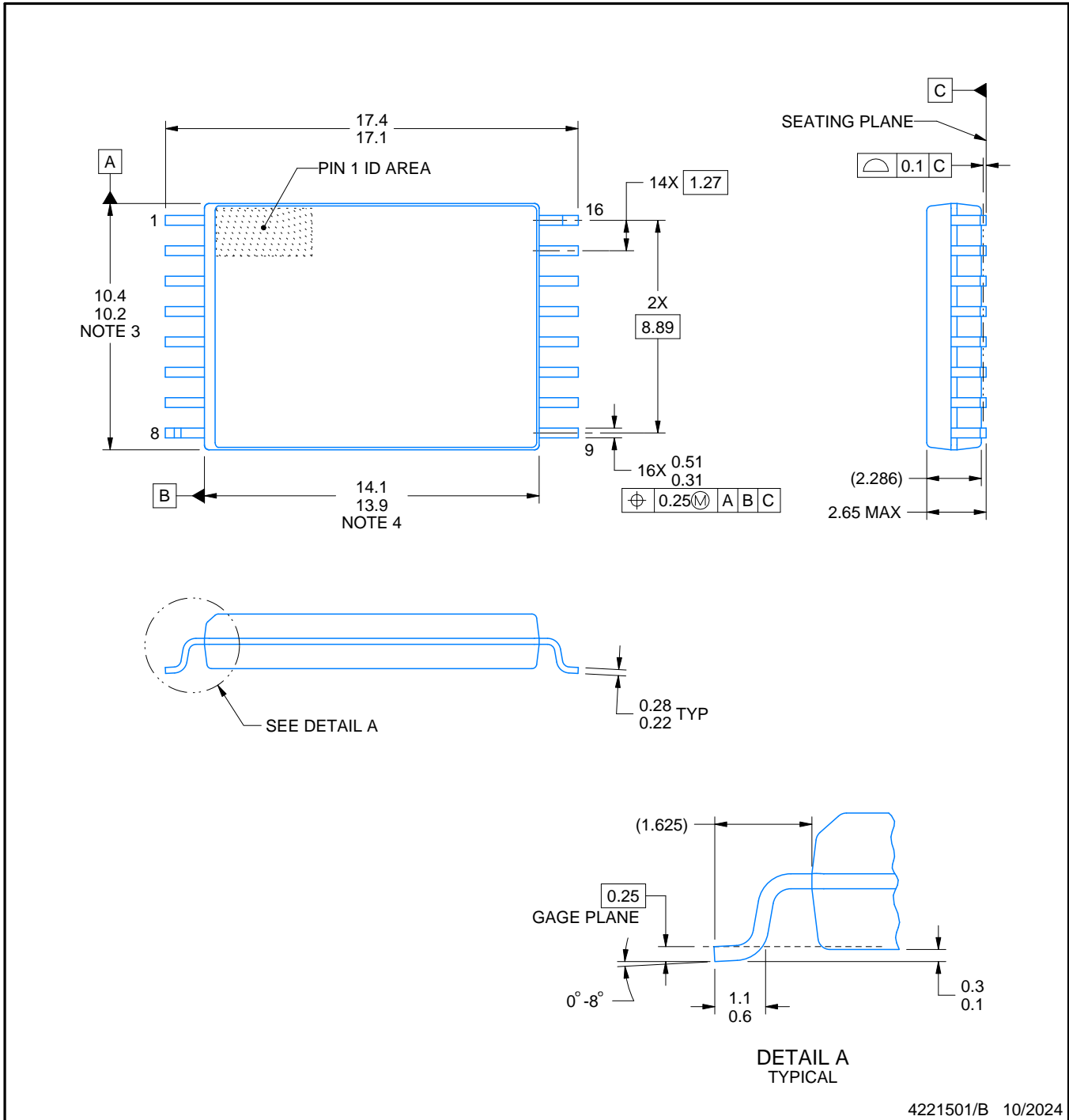
DWW0016A



PACKAGE OUTLINE

SOIC - 2.65 mm max height

PLASTIC SMALL OUTLINE



NOTES:

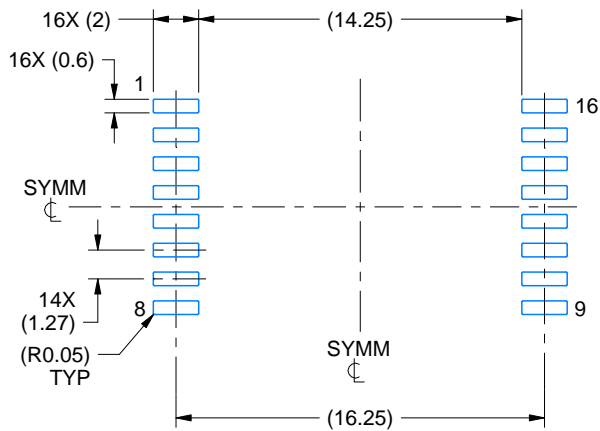
1. All linear dimensions are in millimeters. Any dimensions in parenthesis are for reference only. Dimensioning and tolerancing per ASME Y14.5M.
2. This drawing is subject to change without notice.
3. This dimension does not include mold flash, protrusions, or gate burrs. Mold flash, protrusions, or gate burrs shall not exceed 0,15 mm per side.
4. This dimension does not include interlead flash.

EXAMPLE BOARD LAYOUT

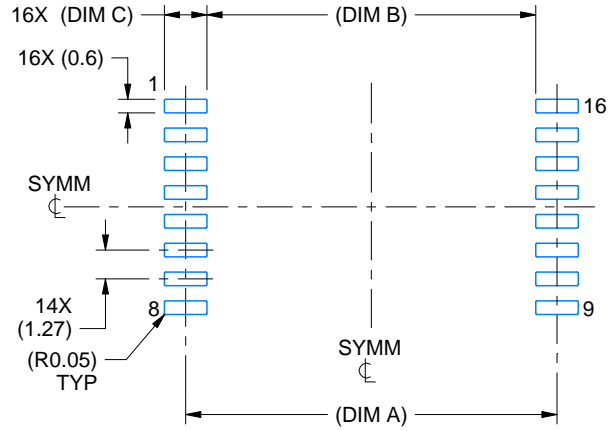
DWW0016A

SOIC - 2.65 mm max height

PLASTIC SMALL OUTLINE

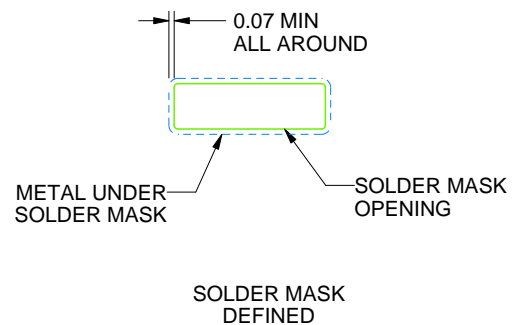
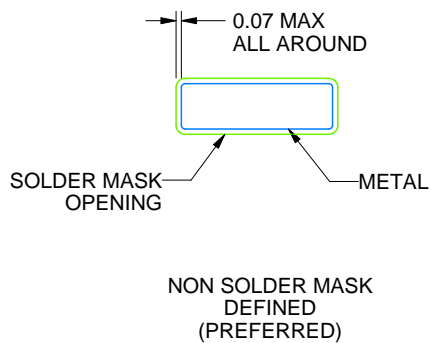


LAND PATTERN EXAMPLE
STANDARD
SCALE:3X



LAND PATTERN EXAMPLE
PCB CLEARANCE & CREEPAGE OPTIMIZED
SCALE:3X

OPTION	DIM A	DIM B	DIM C
01	16.375	14.5	1.875
02	16.625	15	1.625
03	16.725	15.2	1.525



SOLDER MASK DETAILS

4221501/B 10/2024

NOTES: (continued)

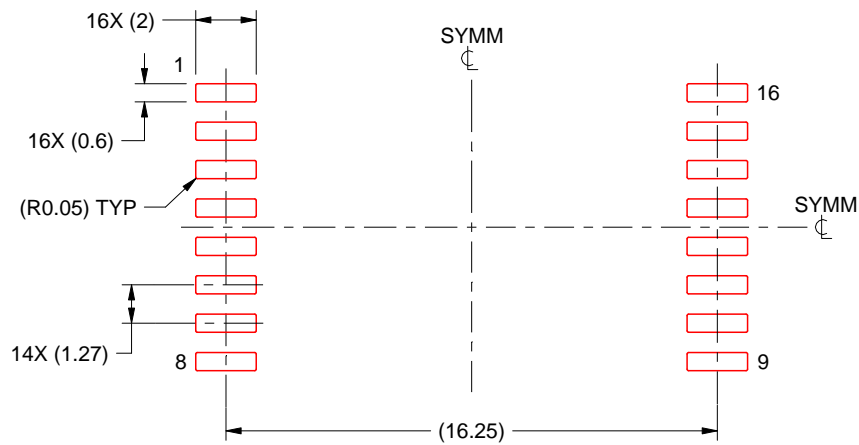
- Publication IPC-7351 may have alternate designs.
- Solder mask tolerances between and around signal pads can vary based on board fabrication site.

EXAMPLE STENCIL DESIGN

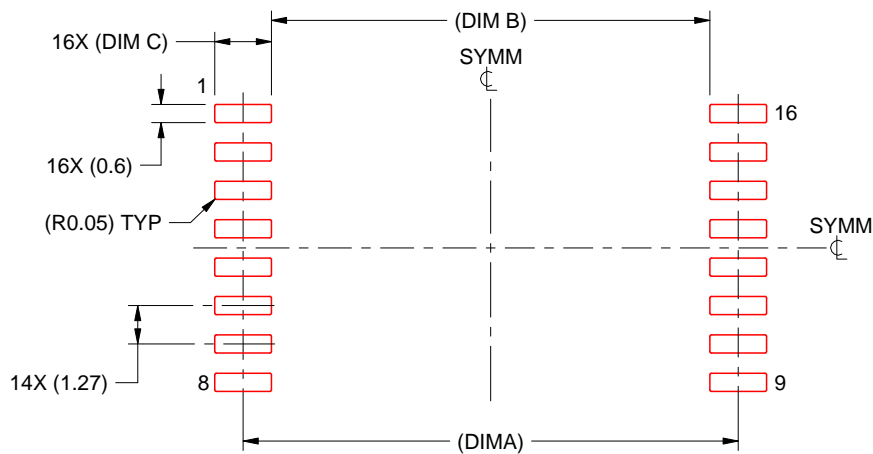
DWW0016A

SOIC - 2.65 mm max height

PLASTIC SMALL OUTLINE



SOLDER PASTE EXAMPLE
STANDARD
BASED ON 0.125 mm THICK STENCIL
SCALE:4X



SOLDER PASTE EXAMPLE
PCB CLEARANCE & CREEPAGE OPTIMIZED
BASED ON 0.125 mm THICK STENCIL
SCALE:4X

OPTION	DIM A	DIM B	DIM C
01	16.375	14.5	1.875
02	16.625	15	1.625
03	16.725	15.2	1.525

4221501/B 10/2024

NOTES: (continued)

7. Laser cutting apertures with trapezoidal walls and rounded corners may offer better paste release. IPC-7525 may have alternate design recommendations.
8. Board assembly site may have different recommendations for stencil design.

GENERIC PACKAGE VIEW

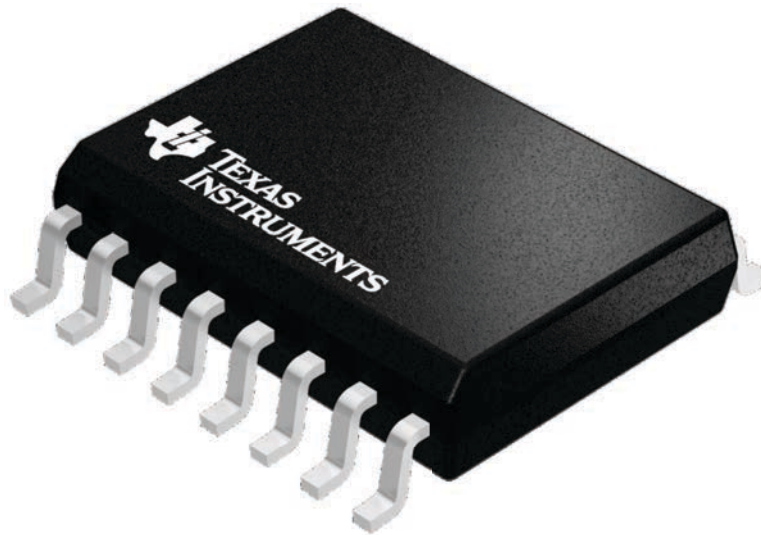
DW 16

SOIC - 2.65 mm max height

7.5 x 10.3, 1.27 mm pitch

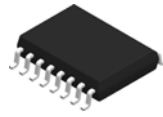
SMALL OUTLINE INTEGRATED CIRCUIT

This image is a representation of the package family, actual package may vary.
Refer to the product data sheet for package details.



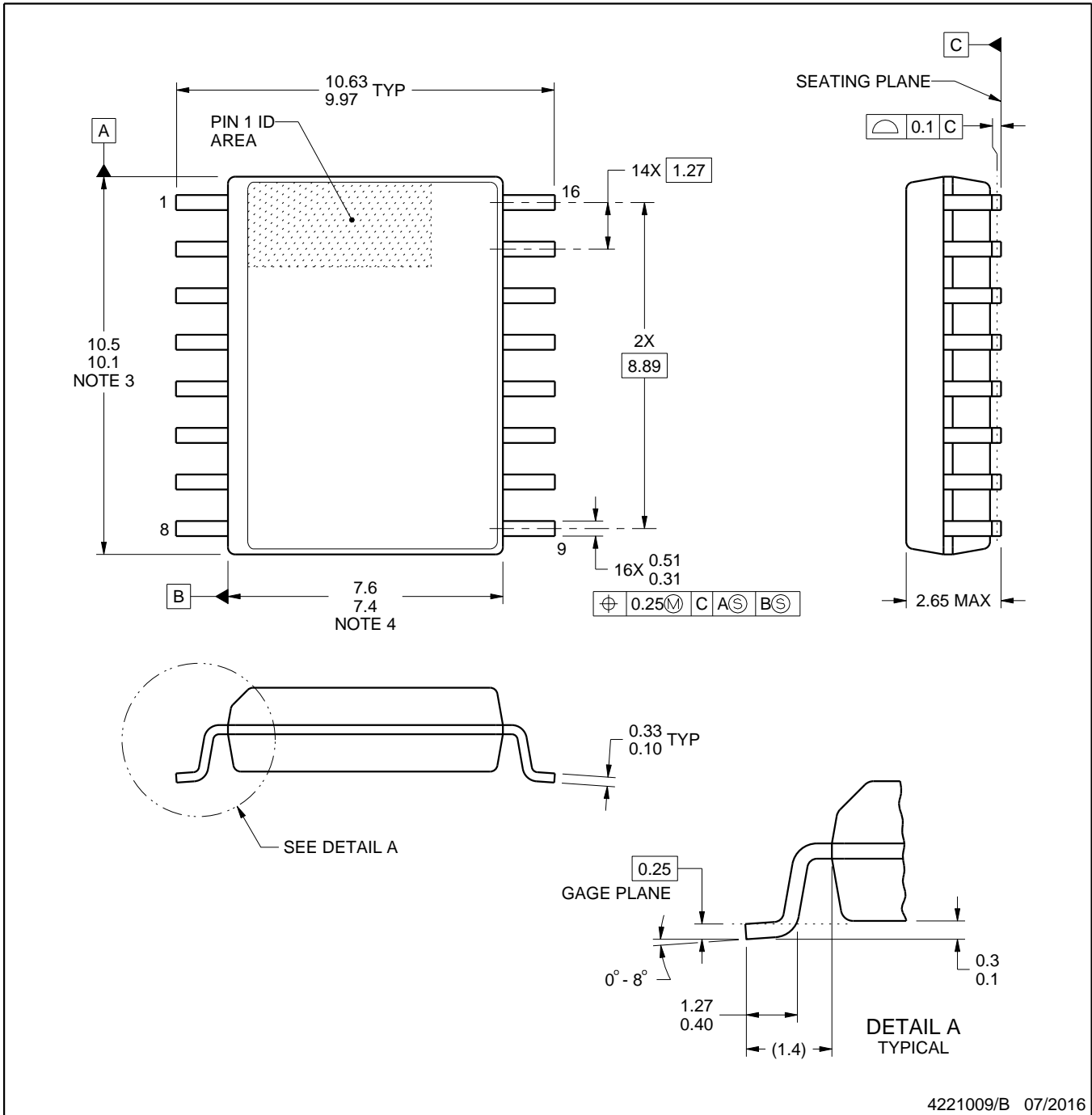
4224780/A

DW0016B



PACKAGE OUTLINE SOIC - 2.65 mm max height

SOIC



NOTES:

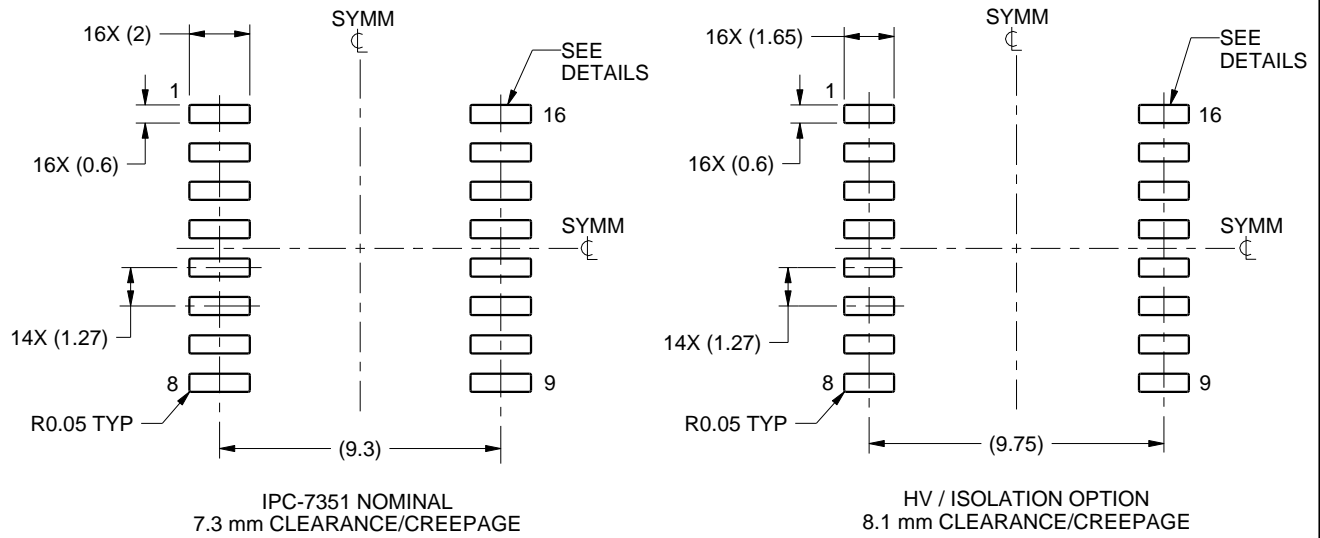
1. All linear dimensions are in millimeters. Dimensions in parenthesis are for reference only. Dimensioning and tolerancing per ASME Y14.5M.
2. This drawing is subject to change without notice.
3. This dimension does not include mold flash, protrusions, or gate burrs. Mold flash, protrusions, or gate burrs shall not exceed 0.15 mm, per side.
4. This dimension does not include interlead flash. Interlead flash shall not exceed 0.25 mm, per side.
5. Reference JEDEC registration MS-013.

EXAMPLE BOARD LAYOUT

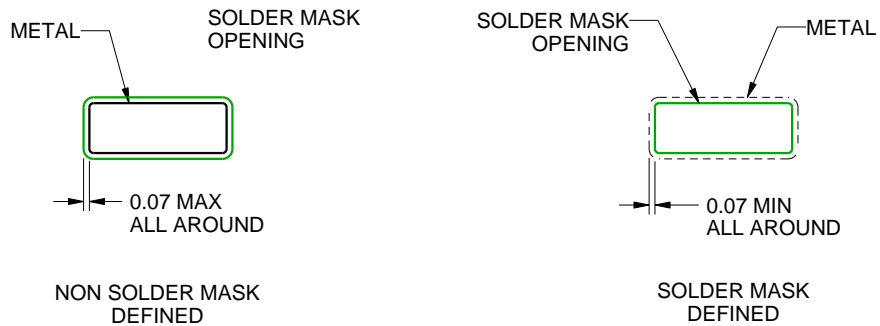
DW0016B

SOIC - 2.65 mm max height

SOIC



LAND PATTERN EXAMPLE
SCALE:4X



SOLDER MASK DETAILS

4221009/B 07/2016

NOTES: (continued)

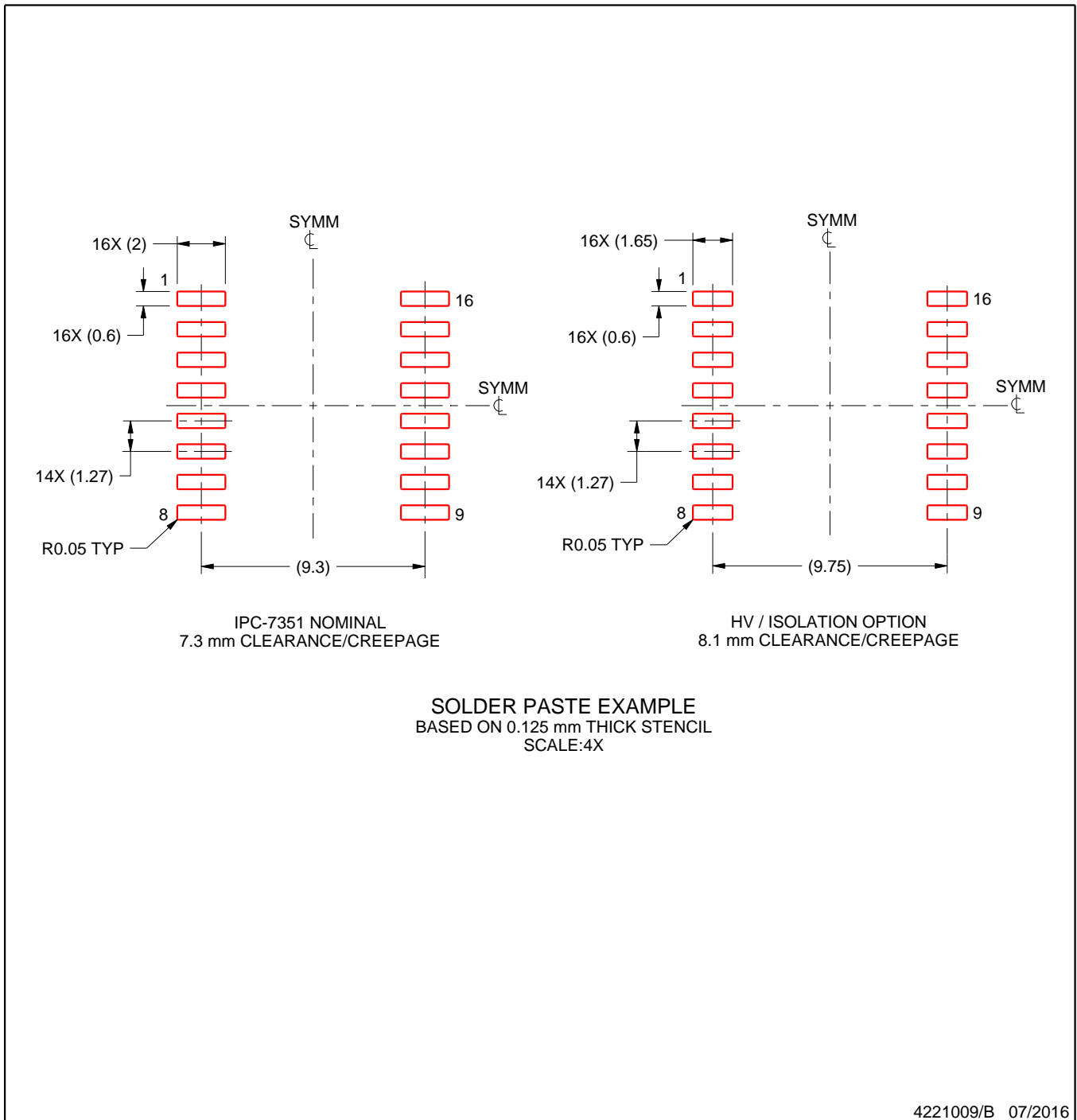
- 6. Publication IPC-7351 may have alternate designs.
- 7. Solder mask tolerances between and around signal pads can vary based on board fabrication site.

EXAMPLE STENCIL DESIGN

DW0016B

SOIC - 2.65 mm max height

SOIC



NOTES: (continued)

8. Laser cutting apertures with trapezoidal walls and rounded corners may offer better paste release. IPC-7525 may have alternate design recommendations.
9. Board assembly site may have different recommendations for stencil design.

IMPORTANT NOTICE AND DISCLAIMER

TI PROVIDES TECHNICAL AND RELIABILITY DATA (INCLUDING DATASHEETS), DESIGN RESOURCES (INCLUDING REFERENCE DESIGNS), APPLICATION OR OTHER DESIGN ADVICE, WEB TOOLS, SAFETY INFORMATION, AND OTHER RESOURCES "AS IS" AND WITH ALL FAULTS, AND DISCLAIMS ALL WARRANTIES, EXPRESS AND IMPLIED, INCLUDING WITHOUT LIMITATION ANY IMPLIED WARRANTIES OF MERCHANTABILITY, FITNESS FOR A PARTICULAR PURPOSE OR NON-INFRINGEMENT OF THIRD PARTY INTELLECTUAL PROPERTY RIGHTS.

These resources are intended for skilled developers designing with TI products. You are solely responsible for (1) selecting the appropriate TI products for your application, (2) designing, validating and testing your application, and (3) ensuring your application meets applicable standards, and any other safety, security, regulatory or other requirements.

These resources are subject to change without notice. TI grants you permission to use these resources only for development of an application that uses the TI products described in the resource. Other reproduction and display of these resources is prohibited. No license is granted to any other TI intellectual property right or to any third party intellectual property right. TI disclaims responsibility for, and you fully indemnify TI and its representatives against any claims, damages, costs, losses, and liabilities arising out of your use of these resources.

TI's products are provided subject to [TI's Terms of Sale](#), [TI's General Quality Guidelines](#), or other applicable terms available either on ti.com or provided in conjunction with such TI products. TI's provision of these resources does not expand or otherwise alter TI's applicable warranties or warranty disclaimers for TI products. Unless TI explicitly designates a product as custom or customer-specified, TI products are standard, catalog, general purpose devices.

TI objects to and rejects any additional or different terms you may propose.

Copyright © 2026, Texas Instruments Incorporated

Last updated 10/2025