

SERIES 24 AND 28 STANDARD AND LOW POWER PROGRAMMABLE READ-ONLY MEMORIES

SEPTEMBER 1979—REVISED AUGUST 1984

- Expanded Family of Standard and Low Power PROMs
- Titanium-Tungsten (Ti-W) Fuse Links for Reliable Low-Voltage Full-Family-Compatible Programming
- Full Decoding and Fast Chip Select Simplify System Design
- P-N-P Inputs for Reduced Loading On System Buffers/Drivers
- Each PROM Supplied With a High Logic Level Stored at Each Bit Location
- Applications Include:
 - Microprogramming/Firmware Loaders
 - Code Converters/Character Generators
 - Translators/Emulators
 - Address Mapping/Look-Up Tables

description

The 24 and 28 Series of monolithic TTL programmable read-only memories (PROMs) feature an expanded selection of standard and low-power PROMs. This expanded PROM family provides the system designer with considerable flexibility in upgrading existing designs or optimizing new designs. Featuring proven titanium-tungsten (Ti-W) fuse links with low-current MOS-compatible p-n-p inputs, all family members utilize a common programming technique designed to program each link with a 20-microsecond pulse.

The 4096-bit and 8192-bit PROMs are offered in a wide variety of packages ranging from 18-pin 300 mil-wide thru 24 pin 600 mil-wide. The 16,384-bit PROMs provide twice the bit density of the 8192-bit PROMs and are provided in a 24 pin 600 mil-wide package.

All PROMs are supplied with a logic-high output level stored at each bit location. The programming procedure will produce open-circuits in the Ti-W metal links, which reverses the stored logic level at the selected location. The procedure is irreversible; once altered, the output for that bit location is permanently programmed. Outputs that have never been altered may later be programmed to supply the opposite output level. Operation of the unit within the recommended operating conditions will not alter the memory content.

Active level(s) at the chip-select input(s) (S or \bar{S}) enables all of the outputs. An inactive level at any chip-select input causes all outputs to be in the three-state, or off condition.

standard PROMs

The standard PROM members of Series 24 and 28 offer high performance for applications which require the uncompromised speed of Schottky technology. The fast chip-select access times allow additional decoding delays to occur without degrading speed performance.

TYPE NUMBER	PACKAGE [†] AND TEMPERATURE RANGE DESIGNATORS	OUTPUT CONFIGURATION [‡]	BIT SIZE (ORGANIZATION)	TYPICAL PERFORMANCE		
				ACCESS TIMES		POWER DISSIPATION
				ADDRESS	SELECT	
TBP24S10	MJ, J, N	▽	1024 Bits (256W × 4B)	35 ns	20 ns	375 mW
TBP24SA10	MJ, J, N	◊				
TBP28S42	MJ, J, N	▽	4096 Bits (512W × 8B)	35 ns	20 ns	500 mW
TBP28SA42	MJ, J, N	◊				
TBP28S46	MJW, JW, NW	▽				
TBP28SA46	MJW, JW, NW	◊				
TBP24S41	MJ, J, N	▽	4096 Bits (1024 × 4B)	40 ns	20 ns	475 mW
TBP24SA41	MJ, J, N	◊	8192 Bits (2048 × 4B)	45 ns	20 ns	625 mW
TBP24S81	MJ, J, N	▽				
TBP24SA81	MJ, J, N	◊	8192 Bits (1024 × 8B)	45 ns	20 ns	625 mW
TBP28S86A	MJW, JW, NW	▽				
TBP28SA86A	MJW, JW, NW	◊				
TBP28S2708A	NW	▽				
TBP28S166	NW	▽	16,384 Bits (2048W × 8B)	35 ns	15 ns	650 mW

[†]MJ and MJW designates full-temperature-range circuits (formerly 54 Family), J, JW, N, and NW designates commercial-temperature-range circuits (formerly 74 Family).

[‡]▽ = three state, ◊ = open collector.

4

PROMS

SERIES 24 AND 28 STANDARD AND LOW-POWER PROGRAMMABLE READ-ONLY MEMORIES

low power PROMs

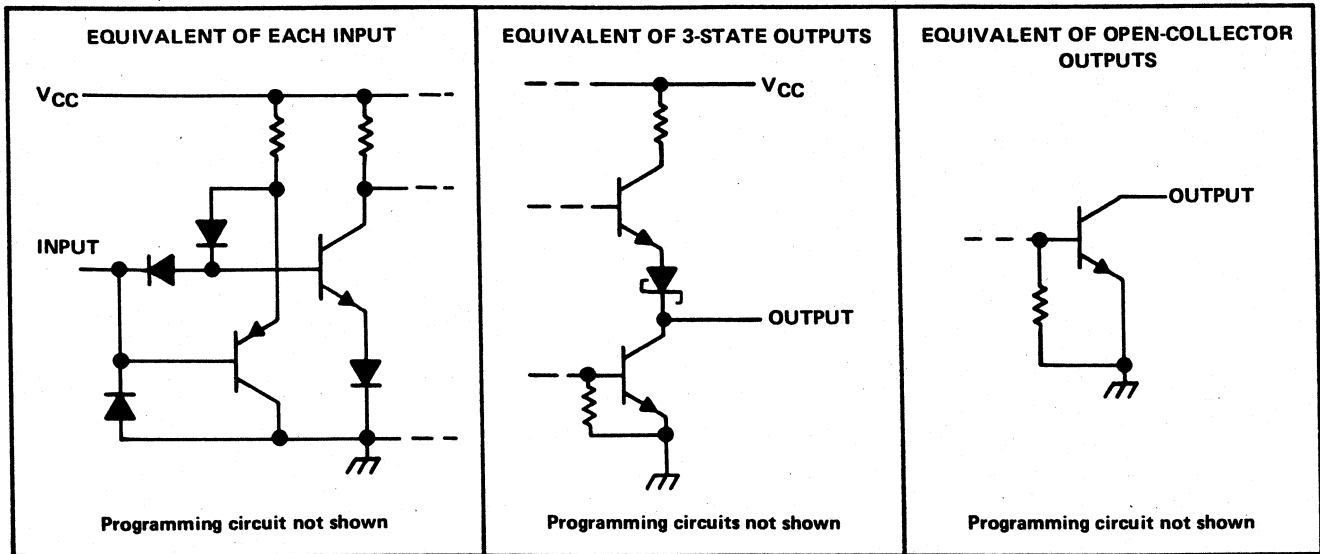
To upgrade systems utilizing MOS EPROMs or MOS PROMs, or when designing new systems which do not require maximum speed, the low-power PROM family offers the output drive and speed performance of bipolar technology, plus reduced power dissipation.

TYPE NUMBER	PACKAGE [†] AND TEMPERATURE RANGE DESIGNATORS	OUTPUT CONFIGURATION [‡]	BIT SIZE (ORGANIZATION)	TYPICAL PERFORMANCE		
				ACCESS TIMES		POWER DISSIPATION
				ADDRESS	SELECT	
TBP28L22	MJ, J, N	▽	2048 Bits (256W × 8B)	45 ns	20 ns	375 mW
TBP28LA22	MJ, J, N	◊				
TBP28L42	MJ, J, N	▽	4096 Bits (512W × 8B)	60 ns	30 ns	250 mW
TBP28L46	MJW, JW, NW	▽				
TBP28L86A	MJW, JW, NW	▽	8192 Bits (1024W × 8B)	80 ns	35 ns	350 mW
TBP28L166	NW	▽	16,384 Bits (2084W × 8B)	65 ns	30 ns	350 mW

[†] MJ and MJW designates full-temperature-range circuits (formerly 54 Family), J, JW, N, and NW designates commercial-temperature-range circuits (formerly 74 Family).

[‡] ▽ = three state, ◊ = open collector.

schematics of inputs and outputs



absolute maximum ratings over operating free-air temperature range (unless otherwise noted)

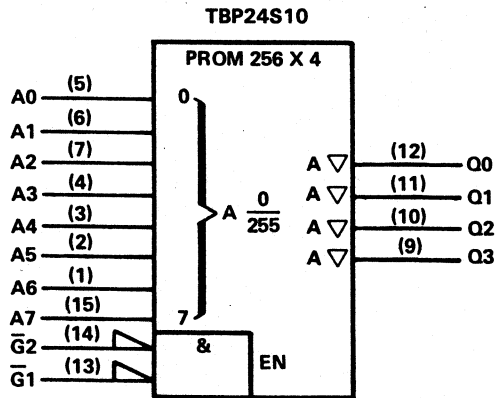
Supply voltage (see Note 1)	7 V
Input voltage	5.5 V
Chip-select peak input voltage (S, S1, S2) (see Note 2)	11 V
Off-state output voltage	5.5 V
Off-state peak output voltage (see Note 2)	16.25 V
Operating free-air temperature range: Full-temperature-range circuits (M suffix)	-55°C to 125°C
Commercial-temperature-range circuits	0°C to 70°C
Storage temperature range	-65°C to 150°C

NOTES: 1. Voltage values are with respect to network ground terminal.

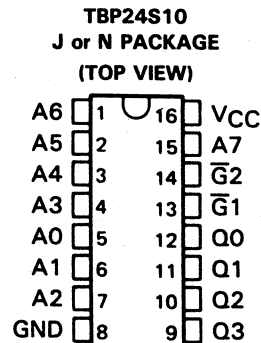
2. These ratings apply only under the conditions described in the programming procedure.

TBP24S10
1024 BIT (256 WORDS BY 4 BITS)
STANDARD PROGRAMMABLE READ-ONLY MEMORIES WITH 3-STATE OUTPUTS

logic symbol



pin assignment



recommended operating conditions

PARAMETER	MJ			J OR N			UNIT
	MIN	NOM	MAX	MIN	NOM	MAX	
V _{CC} Supply voltage	4.5	5	5.5	4.75	5	5.25	V
V _{IH} High-level input voltage	2			2			V
V _{IL} Low-level input voltage			0.8			0.8	V
I _{OH} High-level output current			-2			-6.5	mA
I _{OL} Low-level output current			16			16	mA
T _A Operating free-air temperature range	-55		125	0		70	°C

electrical characteristics over recommended operating free-air temperature range (unless otherwise noted)

PARAMETER	TEST CONDITIONS †	MJ			J OR N			UNIT
		MIN	TYP‡	MAX	MIN	TYP‡	MAX	
V _{IK}	V _{CC} = MIN, I _I = -18 mA			-1.2			-1.2	V
V _{OH}	V _{CC} = MIN, I _{OH} = MAX	2.4	3.1		2.4	3.1		V
V _{OL}	V _{CC} = MIN, I _{OL} = 16 mA			0.5			0.5	V
I _{OZH}	V _{CC} = MAX, V _O = 2.4 V			50			50	μA
I _{OZL}	V _{CC} = MAX, V _O = 0.5 V			-50			-50	μA
I _I	V _{CC} = MAX, V _I = 5.5 V			1			1	mA
I _{IH}	V _{CC} = MAX, V _I = 2.7 V			25			25	μA
I _{IL}	V _{CC} = MAX, V _I = 0.5 V			-0.25			-0.25	mA
I _{OS} [§]	V _{CC} = MAX	-30		-100	-30		-100	mA
I _{CC}	V _{CC} = MAX		75	100		75	100	mA

switching characteristics over recommended ranges of T_A and V_{CC} (unless otherwise noted)

PARAMETER	TEST CONDITIONS	MJ			J OR N			UNIT
		MIN	TYP‡	MAX	MIN	TYP‡	MAX	
t _{a(A)} Access time from address	C _L = 30 pF		35	75		35	55	ns
t _{a(S)} Access time from chip select (enable time)	See Note 3		20	40		20	35	ns
t _{dis} Disable time	C _L = 5 pF See Note 3		15	40		15	35	ns

†For conditions shown as MIN or MAX, use appropriate value specified under recommended operating conditions.

‡All typical values are at V_{CC} = 5 V, T_A = 25 °C.

§Not more than one output should be shorted at a time, and duration of the short circuit should not exceed one second.

NOTE 3: Load circuits and voltage waveforms are shown in Section 1.

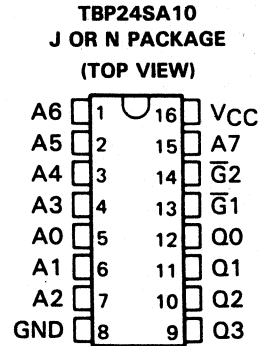
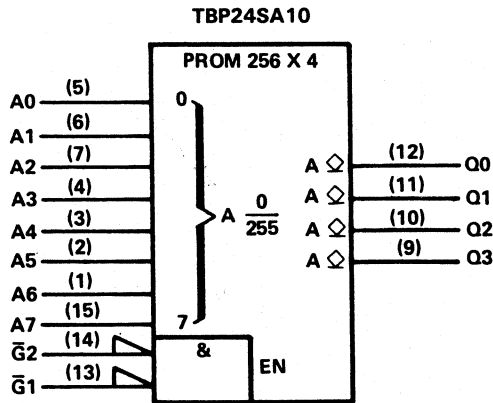
4

PROMS

TBP24SA10
1024 BITS (256 WORDS BY 4 BITS)
STANDARD PROGRAMMABLE READ-ONLY MEMORIES WITH OPEN-COLLECTOR OUTPUTS

logic symbol

pin assignment



recommended operating conditions

PARAMETER	DESCRIPTION	MJ			J OR N			UNIT
		MIN	NOM	MAX	MIN	NOM	MAX	
V _{CC}	Supply voltage	4.5	5	5.5	4.75	5	5.25	V
V _{IH}	High-level input voltage	2			2			V
V _{IL}	Low-level input voltage			0.8			0.8	V
V _{OH}	High-level output voltage			5.5			5.5	V
I _{OL}	Low-level output current			16			16	mA
T _A	Operating free-air temperature range	-55		125	0		70	°C

4

PROMS

electrical characteristics over recommended operating free-air temperature range (unless otherwise noted)

PARAMETER	TEST CONDITIONS [†]	MJ			J OR N			UNIT
		MIN	TYP [‡]	MAX	MIN	TYP [‡]	MAX	
V _{IK}	V _{CC} = MIN, I _I = -18 mA			-1.2			-1.2	V
I _{OH}	V _{CC} = MIN, V _{OH} = 2.4 V			0.05			0.05	mA
				0.1			0.1	
V _{OL}	V _{CC} = MIN, I _{OL} = 16 mA			0.5			0.45	V
I _I	V _{CC} = MAX, V _I = 5.5 V			1			1	mA
I _{IH}	V _{CC} = MAX, V _I = 2.7 V			25			25	μA
I _{IL}	V _{CC} = MAX, V _I = 0.5 V			-0.25			-0.25	mA
I _{CC}	V _{CC} = MAX	75	100		75	100		mA

switching characteristics over recommended ranges of T_A and V_{CC} (unless otherwise noted)

PARAMETER	TEST CONDITIONS	MJ			J OR N			UNIT	
		MIN	TYP [‡]	MAX	MIN	TYP [‡]	MAX		
t _{a(A)}	Access time from address			35	75		35	65	ns
t _{a(S)}	Access time from chip select (enable time)			20	40		20	35	ns
t _{PLH}	Propagation delay time low-to-high-level output from chip select			15	40		20	35	ns

[†]For conditions shown as MIN or MAX, use appropriate value specified under recommended operating conditions.

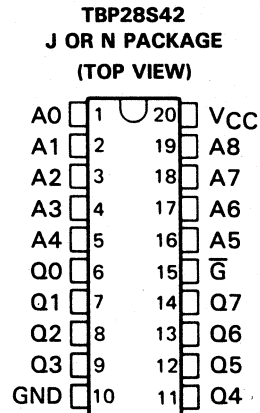
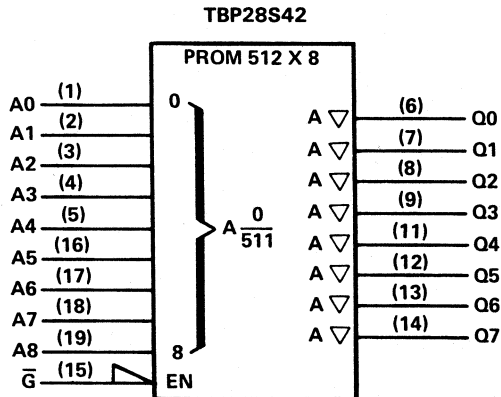
[‡]All typical values are at V_{CC} = 5 V, T_A = 25°C.

NOTE 3: Load circuits and voltage waveforms are shown in Section 1.

TBP28S42
4096 BITS (512 WORDS BY 8 BITS)
STANDARD PROGRAMMABLE READ-ONLY MEMORIES WITH 3-STATE OUTPUTS

logic symbol

pin assignment



recommended operating conditions

PARAMETER	MJ			J OR N			UNIT
	MIN	NOM	MAX	MIN	NOM	MAX	
V _{CC} Supply voltage	4.5	5	5.5	4.75	5	5.25	V
V _{IH} High-level input voltage	2			2			V
V _{IL} Low-level input voltage			0.8			0.8	V
I _{OH} High-level output current			-2			-6.5	mA
I _{OL} Low-level output current			16			16	mA
T _A Operating free-air temperature range	-55		125	0		70	°C

electrical characteristics over recommended operating free-air temperature range (unless otherwise noted)

PARAMETER	TEST CONDITIONS [†]	MJ			J OR N			UNIT
		MIN	TYP [‡]	MAX	MIN	TYP [‡]	MAX	
V _{IK}	V _{CC} = MIN, I _I = -18 mA			-1.2			-1.2	V
V _{OH}	V _{CC} = MIN, I _{OH} = MAX	2.4	3.1		2.4	3.1		V
V _{OL}	V _{CC} = MIN, I _{OL} = 16 mA			0.5			0.5	V
I _{OZH}	V _{CC} = MAX, V _O = 2.4 V			50			50	μA
I _{OZL}	V _{CC} = MAX, V _O = 0.5 V			-50			-50	μA
I _I	V _{CC} = MAX, V _I = 5.5 V			1			1	mA
I _{IH}	V _{CC} = MAX, V _I = 2.7 V			25			25	μA
I _{IL}	V _{CC} = MAX, V _I = 0.5 V			-0.25			-0.25	mA
I _{OS} [§]	V _{CC} = MAX	-30		-100	-30		-100	mA
I _{CC}	V _{CC} = MAX		100	135		100	135	mA

switching characteristics over recommended ranges of T_A and V_{CC} (unless otherwise noted)

PARAMETER	TEST CONDITIONS	MJ			J OR N			UNIT
		MIN	TYP [‡]	MAX	MIN	TYP [‡]	MAX	
t _{a(A)} Access time from address	C _L = 30 pF		35	70		35	60	ns
t _{a(S)} Access time from chip select (enable time)	See Note 3		20	45		20	45	ns
t _{dis} Disable time	C _L = 5 pF See Note 3		15	45		15	40	ns

[†]For conditions shown as MIN or MAX, use appropriate value specified under recommended operating conditions.

[‡]All typical values are at V_{CC} = 5 V, T_A = 25 °C.

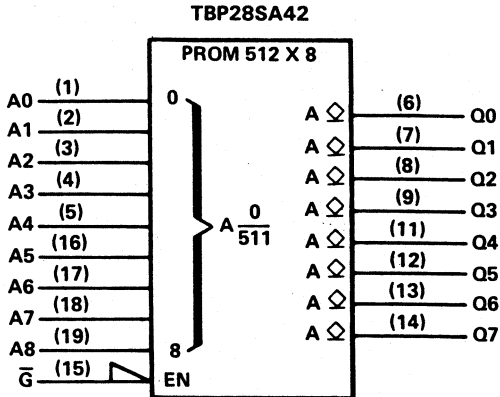
[§]Not more than one output should be shorted at a time, and duration of the short circuit should not exceed one second.

NOTE 3: Load circuits and voltage waveforms are shown in Section 1.

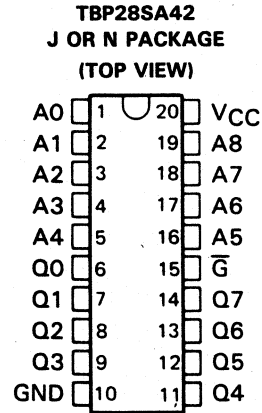
4 PROMS

TBP28SA42
4096 BITS (512 WORDS BY 8 BITS)
STANDARD PROGRAMMABLE READ-ONLY MEMORIES WITH OPEN-COLLECTOR OUTPUTS

logic symbol



pin assignment



recommended operating conditions

PARAMETER	MJ			J OR N			UNIT
	MIN	NOM	MAX	MIN	NOM	MAX	
V _{CC} Supply voltage	4.5	5	5.5	4.75	5	5.25	V
V _{IH} High-level input voltage	2			2			V
V _{IL} Low-level input voltage			0.8			0.8	V
V _{OH} High-level output voltage			5.5			5.5	V
I _{OL} Low-level output current			16			16	mA
T _A Operating free-air temperature range	-55		125	0		70	°C

4

PROMS

electrical characteristics over recommended operating free-air temperature range (unless otherwise noted)

PARAMETER	TEST CONDITIONS†	MJ			J OR N			UNIT
		MIN	TYP‡	MAX	MIN	TYP‡	MAX	
V _{IK}	V _{CC} = MIN, I _I = -18 mA			-1.2			-1.2	V
I _{OH}	V _{CC} = MIN, V _{OH} = 2.4 V			0.05			0.05	mA
				0.1			0.1	
V _{OL}	V _{CC} = MIN, I _{OL} = 16 mA			0.5			0.5	V
I _I	V _{CC} = MAX, V _I = 5.5 V			1			1	mA
I _{IH}	V _{CC} = MAX, V _I = 2.7 V			25			25	μA
I _{IL}	V _{CC} = MAX, V _I = 0.5 V			-0.25			-0.25	mA
I _{CC}	V _{CC} = MAX	105		135	105		135	mA

switching characteristics over recommended ranges of T_A and V_{CC} (unless otherwise noted)

PARAMETER	TEST CONDITIONS	MJ			J OR N			UNIT
		MIN	TYP‡	MAX	MIN	TYP‡	MAX	
t _{a(A)} Access time from address	C _L = 30 pF		35	75		35	65	ns
t _{a(S)} Access time from chip select (enable time)	R _{L1} = 300 Ω		20	45		20	35	ns
t _{PLH} Propagation delay time low-to-high-level output from chip select	R _{L2} = 600 Ω See Note 3		15	45		15	35	ns

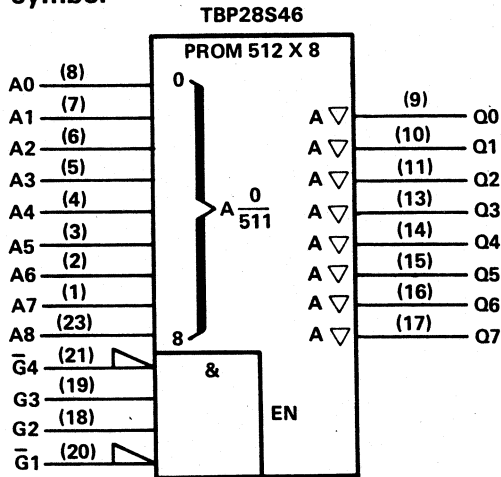
†For conditions shown as MIN or MAX, use appropriate value specified under recommended operating conditions.

‡All typical values are at V_{CC} = 5 V, T_A = 25 °C.

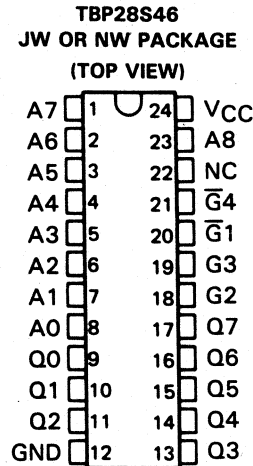
NOTE 3: Load circuits and voltage waveforms are shown in Section 1.

TBP28S46
4096 BITS (512 WORDS BY 8 BITS)
STANDARD PROGRAMMABLE READ-ONLY MEMORIES WITH 3-STATE OUTPUTS

logic symbol



pin assignment



recommended operating conditions

PARAMETER	MJW			JW OR NW			UNIT
	MIN	NOM	MAX	MIN	NOM	MAX	
V _{CC} Supply voltage	4.5	5	5.5	4.75	5	5.25	V
V _{IH} High-level input voltage	2			2			V
V _{IL} Low-level input voltage			0.8			0.8	V
I _{OH} High-level output current			-2			-6.5	mA
I _{OL} Low-level output current			16			16	mA
T _A Operating free-air temperature range	-55		125	0		70	°C

electrical characteristics over recommended operating free-air temperature range (unless otherwise noted)

PARAMETER	TEST CONDITIONS [†]	MJW			JW OR NW			UNIT
		MIN	TYP [‡]	MAX	MIN	TYP [‡]	MAX	
V _{IK}	V _{CC} = MIN, I _I = -18 mA			-1.2			-1.2	V
V _{OH}	V _{CC} = MIN, I _{OH} = MAX	2.4	3.1		2.4	3.1		V
V _{OL}	V _{CC} = MIN, I _{OL} = 16 mA			0.5			0.5	V
I _{OZH}	V _{CC} = MAX, V _O = 2.4 V			50			50	μA
I _{OZL}	V _{CC} = MAX, V _O = 0.5 V			-50			-50	μA
I _I	V _{CC} = MAX, V _I = 5.5 V			1			1	mA
I _{IH}	V _{CC} = MAX, V _I = 2.7 V			25			25	μA
I _{IL}	V _{CC} = MAX, V _I = 0.5 V			-0.25			-0.25	mA
I _{OS} [§]	V _{CC} = MAX	-15		-100	-20		-100	mA
I _{CC}	V _{CC} = MAX		100	135		100	135	mA

switching characteristics over recommended ranges of T_A and V_{CC} (unless otherwise noted)

PARAMETER	TEST CONDITIONS	MJW			JW OR NW			UNIT
		MIN	TYP [‡]	MAX	MIN	TYP [‡]	MAX	
t _{a(A)} Access time from address	C _L = 30 pF		35	70		35	60	ns
t _{a(S)} Access time from chip select (enable time)	See Note 3		20	45		20	35	ns
t _{dis} Disable time	C _L = 5 pF See Note 3		15	40		15	35	ns

[†]For conditions shown as MIN or MAX, use appropriate value specified under recommended operating conditions.
[‡]All typical values are at V_{CC} = 5 V, T_A = 25°C.
[§]Not more than one output should be shorted at a time, and duration of the short circuit should not exceed one second.
 NOTE 3: Load circuits and voltage waveforms are shown in Section 1.

4 PROMS

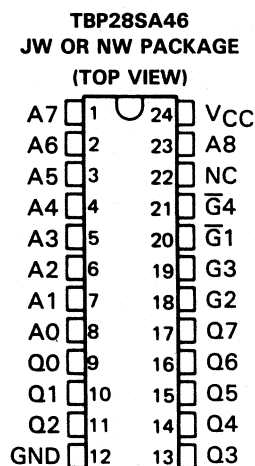
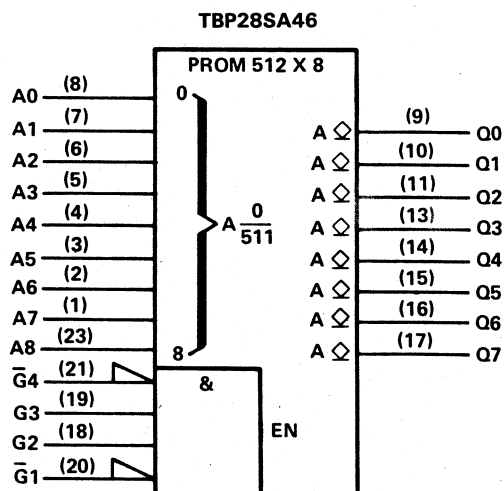
TBP28SA46

4096 BITS (512 WORDS BY 8 BITS)

STANDARD PROGRAMMABLE READ-ONLY MEMORIES WITH OPEN-COLLECTOR OUTPUTS

logic symbol

pin assignment



recommended operating conditions

PARAMETER	MJW			JW OR NW			UNIT
	MIN	NOM	MAX	MIN	NOM	MAX	
V _{CC} Supply voltage	4.5	5	5.5	4.75	5	5.25	V
V _{IH} High-level input voltage	2			2			V
V _{IL} Low-level input voltage			0.8			0.8	V
V _{OH} High-level output voltage			5.5			5.5	V
I _{OL} Low-level output current			16			16	mA
T _A Operating free-air temperature range	-55		125	0		70	°C

4

PROMS

electrical characteristics over recommended operating free-air temperature range (unless otherwise noted)

PARAMETER	TEST CONDITIONS†	MJW			JW OR NW			UNIT
		MIN	TYP‡	MAX	MIN	TYP‡	MAX	
V _{IK}	V _{CC} = MIN, I _I = -18 mA			-1.2			-1.2	V
I _{OH}	V _{CC} = MIN, V _{OH} = 2.4 V			0.05			0.05	mA
				0.1			0.1	
V _{OL}	V _{CC} = MIN, I _{OL} = 16 mA			0.5			0.5	V
I _I	V _{CC} = MAX, V _I = 5.5 V			1			1	mA
I _{IH}	V _{CC} = MAX, V _I = 2.7 V			25			25	μA
I _{IL}	V _{CC} = MAX, V _I = 0.5 V			-0.25			-0.25	mA
I _{CC}	V _{CC} = MAX	100	135		100	135		mA

switching characteristics over recommended ranges of T_A and V_{CC} (unless otherwise noted)

PARAMETER	TEST CONDITIONS	MJW			JW OR NW			UNIT
		MIN	TYP‡	MAX	MIN	TYP‡	MAX	
t _{a(A)} Access time from address	C _L = 30 pF		35	75		35	65	ns
t _{a(S)} Access time from chip select (enable time)	R _{L1} = 300 Ω		20	45		20	35	ns
t _{PLH} Propagation delay time low-to-high-level output from chip select	R _{L2} = 600 Ω See Note 3		15	40		15	35	ns

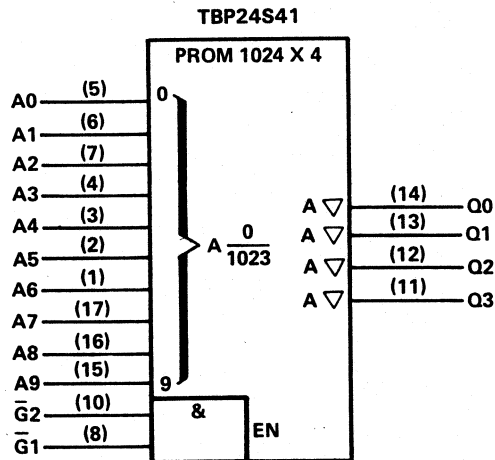
†For conditions shown as MIN or MAX, use appropriate value specified under recommended operating conditions.

‡All typical values are at V_{CC} = 5 V, T_A = 25°C.

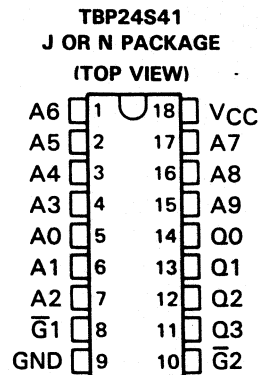
NOTE 3: Load circuits and voltage waveforms are shown in Section 1.

TBP24S41
4096 BITS (1024 WORDS BY 4 BITS)
STANDARD PROGRAMMABLE READ-ONLY MEMORIES WITH 3-STATE OUTPUTS

logic symbol



pin assignment



recommended operating conditions

PARAMETER	MJ			J OR N			UNIT
	MIN	NOM	MAX	MIN	NOM	MAX	
V _{CC} Supply voltage	4.5	5	5.5	4.75	5	5.25	V
V _{IH} High-level input voltage	2			2			V
V _{IL} Low-level input voltage			0.8			0.8	V
I _{OH} High-level output current			-2			-3.2	mA
I _{OL} Low-level output current			16			16	mA
T _A Operating free-air temperature range	-55		125	0		70	°C

electrical characteristics over recommended operating free-air temperature range (unless otherwise noted)

PARAMETER	TEST CONDITIONS [†]	MJ			J OR N			UNIT
		MIN	TYP [‡]	MAX	MIN	TYP [‡]	MAX	
V _{IK}	V _{CC} = MIN, I _I = -18 mA			-1.2			-1.2	V
V _{OH}	V _{CC} = MIN, I _{OH} = MAX	2.4	3.1		2.4	3.1		V
V _{OL}	V _{CC} = MIN, I _{OL} = 16 mA			0.5			0.5	V
I _{OZH}	V _{CC} = MAX, V _O = 2.4 V			50			50	μA
I _{OZL}	V _{CC} = MAX, V _O = 0.5 V			-50			-50	μA
I _I	V _{CC} = MAX, V _I = 5.5 V			1			1	mA
I _{IH}	V _{CC} = MAX, V _I = 2.7 V			25			25	μA
I _{IL}	V _{CC} = MAX, V _I = 0.5 V			-0.25			-0.25	mA
I _{OS} [§]	V _{CC} = MAX	-15		-100	-20		-100	mA
I _{CC}	V _{CC} = MAX		95	140		95	140	mA

switching characteristics over recommended ranges of T_A and V_{CC} (unless otherwise noted)

PARAMETER	TEST CONDITIONS	MJ			J OR N			UNIT
		MIN	TYP [‡]	MAX	MIN	TYP [‡]	MAX	
t _{a(A)} Access time from address	C _L = 30 pF		40	75		40	60	ns
t _{a(S)} Access time from chip select (enable time)	See Note 3		20	40		20	30	ns
t _{dis} Disable time	C _L = 5 pF See Note 3		20	40		20	30	ns

[†]For conditions shown as MIN or MAX, use appropriate value specified under recommended operating conditions.

[‡]All typical values are at V_{CC} = 5 V, T_A = 25°C.

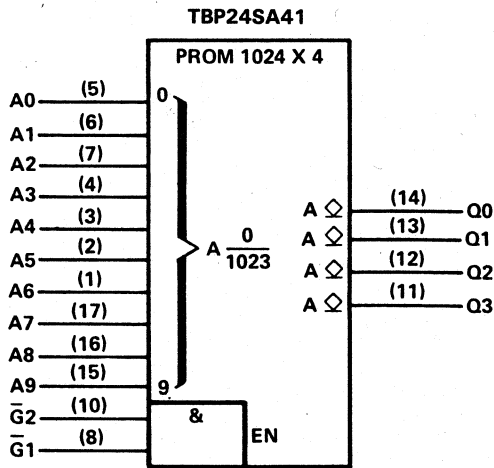
[§]Not more than one output should be shorted at a time, and duration of the short circuit should not exceed one second.

NOTE 3: Load circuits and voltage waveforms are shown in Section 1.

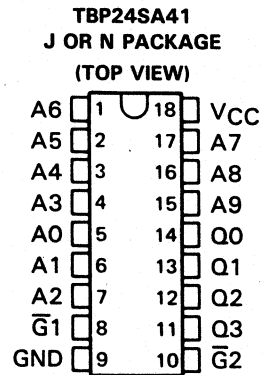
4 PROMS

TBP24SA41
4096 BITS (1024 WORDS BY 4 BITS)
STANDARD PROGRAMMABLE READ-ONLY MEMORIES WITH OPEN-COLLECTOR OUTPUTS

logic symbol



pin assignment



recommended operating conditions

PARAMETER		MJ			J OR N			UNIT
		MIN	NOM	MAX	MIN	NOM	MAX	
V _{CC}	Supply voltage	4.5	5	5.5	4.75	5	5.25	V
V _{IH}	High-level input voltage	2			2			V
V _{IL}	Low-level input voltage			0.8			0.8	V
V _{OH}	High-level output voltage			5.5			5.5	V
I _{OL}	Low-level output current			16			16	mA
T _A	Operating free-air temperature range	-55		125	0		70	°C

electrical characteristics over recommended operating free-air temperature range (unless otherwise noted)

PARAMETER	TEST CONDITIONS†	MJ			J OR N			UNIT	
		MIN	TYP‡	MAX	MIN	TYP‡	MAX		
V _{IK}	V _{CC} = MIN, I _I = -18 mA			-1.2			-1.2	V	
I _{OH}	V _{CC} = MIN, V _{OH} = 2.4 V			0.05			0.05	mA	
				0.1			0.1		
V _{OL}	V _{CC} = MIN, I _{OL} = 16 mA			0.5			0.5	V	
I _I	V _{CC} = MAX, V _I = 5.5 V			1			1	mA	
I _{IH}	V _{CC} = MAX, V _I = 2.7 V			25			25	µA	
I _{IL}	V _{CC} = MAX, V _I = 0.5 V			-0.25			-0.25	mA	
I _{CC}	V _{CC} = MAX			95	140		95	140	mA

switching characteristics over recommended ranges of T_A and V_{CC} (unless otherwise noted)

PARAMETER	TEST CONDITIONS	MJ			J OR N			UNIT	
		MIN	TYP‡	MAX	MIN	TYP‡	MAX		
t _{a(A)}	Access time from address			40	75		40	60	ns
t _{a(S)}	Access time from chip select (enable time)			20	40		20	30	ns
t _{PLH}	Propagation delay time low-to-high-level output from chip select			20	40		20	30	ns

†For conditions shown as MIN or MAX, use appropriate value specified under recommended operating conditions.

‡All typical values are at V_{CC} = 5 V, T_A = 25 °C.

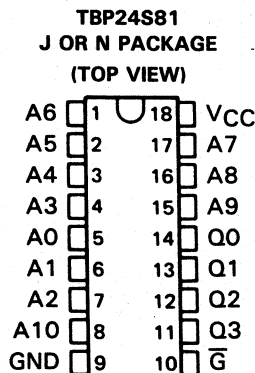
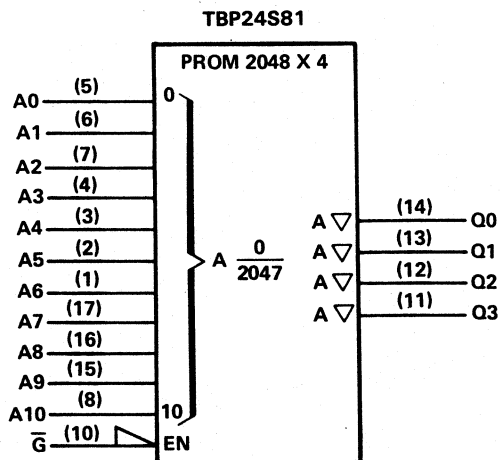
NOTE 3: Load circuits and voltage waveforms are shown in Section 1.

4 PROMS

TBP24S81
8192 BITS (2048 WORDS BY 4 BITS)
STANDARD PROGRAMMABLE READ-ONLY MEMORIES WITH 3-STATE OUTPUTS

logic symbol

pin assignment



recommended operating conditions

PARAMETER	MJ			J OR N			UNIT
	MIN	NOM	MAX	MIN	NOM	MAX	
V _{CC} Supply voltage	4.5	5	5.5	4.75	5	5.25	V
V _{IH} High-level input voltage	2			2			V
V _{IL} Low-level input voltage			0.8			0.8	V
I _{OH} High-level output current			-2			-3.2	mA
I _{OL} Low-level output current			16			16	mA
T _A Operating free-air temperature range	-55		125	0		70	°C

electrical characteristics over recommended operating free-air temperature range (unless otherwise noted)

PARAMETER	TEST CONDITIONS [†]	MJ			J OR N			UNIT
		MIN	TYP [‡]	MAX	MIN	TYP [‡]	MAX	
V _{IK}	V _{CC} = MIN, I _I = -18 mA			-1.2			-1.2	V
V _{OH}	V _{CC} = MIN, I _{OH} = MAX	2.4	3.1		2.4	3.1		V
V _{OL}	V _{CC} = MIN, I _{OL} = 16 mA			0.5			0.5	V
I _{OZH}	V _{CC} = MAX, V _O = 2.4 V			50			50	μA
I _{OZL}	V _{CC} = MAX, V _O = 0.5 V			-50			-50	μA
I _I	V _{CC} = MAX, V _I = 5.5 V			1			1	mA
I _{IH}	V _{CC} = MAX, V _I = 2.7 V			25			25	μA
I _{IL}	V _{CC} = MAX, V _I = 0.5 V			-0.25			-0.25	mA
I _{OS} [§]	V _{CC} = MAX	-15		-100	-20		-100	mA
I _{CC}	V _{CC} = MAX		125	175		125	175	mA

switching characteristics over recommended ranges of T_A and V_{CC} (unless otherwise noted)

PARAMETER	TEST CONDITIONS	MJ			J OR N			UNIT
		MIN	TYP [‡]	MAX	MIN	TYP [‡]	MAX	
t _{a(A)} Access time from address	C _L = 30 pF		45	85		45	70	ns
t _{a(S)} Access time from chip select (enable time)	See Note 3		20	50		20	40	ns
t _{dis} Disable time	C _L = 5 pF See Note 3		20	50		20	40	ns

[†]For conditions shown as MIN or MAX, use appropriate value specified under recommended operating conditions.

[‡]All typical values are at V_{CC} = 5 V, T_A = 25°C.

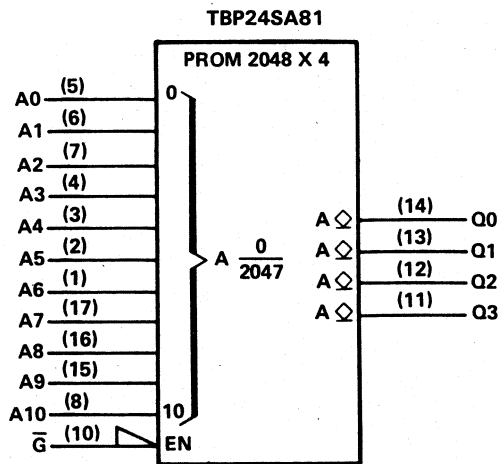
[§]Not more than one output should be shorted at a time, and duration of the short circuit should not exceed one second.

NOTE 3: Load circuits and voltage waveforms are shown in Section 1.

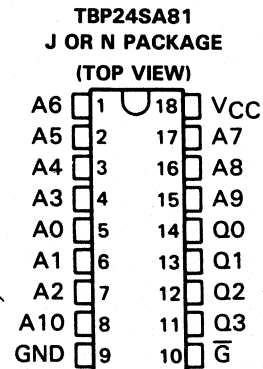
4 PROMS

TBP24SA81
8192 BITS (2048 WORDS BY 4 BITS)
STANDARD PROGRAMMABLE READ-ONLY MEMORIES WITH OPEN-COLLECTOR OUTPUTS

logic symbol



pin assignment



recommended operating conditions

PARAMETER	MJ			J OR N			UNIT
	MIN	NOM	MAX	MIN	NOM	MAX	
V _{CC} Supply voltage	4.5	5	5.5	4.75	5	5.25	V
V _{IH} High-level input voltage	2			2			V
V _{IL} Low-level input voltage			0.8			0.8	V
V _{OH} High-level output voltage			5.5			5.5	V
I _{OL} Low-level output current			16			16	mA
T _A Operating free-air temperature range	-55		125	0		70	°C

electrical characteristics over recommended operating free-air temperature range (unless otherwise noted)

PARAMETER	TEST CONDITIONS†	MJ			J OR N			UNIT
		MIN	TYP‡	MAX	MIN	TYP‡	MAX	
V _{IK}	V _{CC} = MIN, I _I = -18 mA			-1.2			-1.2	V
I _{OH}	V _{CC} = MIN, V _{OH} = 2.4 V			0.05			0.05	VmA
				0.1			0.1	
V _{OL}	V _{CC} = MIN, I _{OL} = 16 mA			0.5			0.5	V
I _I	V _{CC} = MAX, V _I = 5.5 V			1			1	mA
I _{IH}	V _{CC} = MAX, V _I = 2.7 V			25			25	μA
I _{IL}	V _{CC} = MAX, V _I = 0.5 V			-0.25			-0.25	mA
I _{CC}	V _{CC} = MAX	125	175		125	175		mA

switching characteristics over recommended ranges of T_A and V_{CC} (unless otherwise noted)

PARAMETER	TEST CONDITIONS	MJ			J OR N			UNIT
		MIN	TYP‡	MAX	MIN	TYP‡	MAX	
t _{a(A)} Access time from address	C _L = 30 pF	45	95		45	70	ns	
t _{a(S)} Access time from chip select (enable time)	R _{L1} = 300 Ω	20	50		20	40	ns	
t _{PLH} Propagation delay time low-to-high-level output from chip select	R _{L2} = 600 Ω See Note 3	20	50		20	40	ns	

†For conditions shown as MIN or MAX, use appropriate value specified under recommended operating conditions.

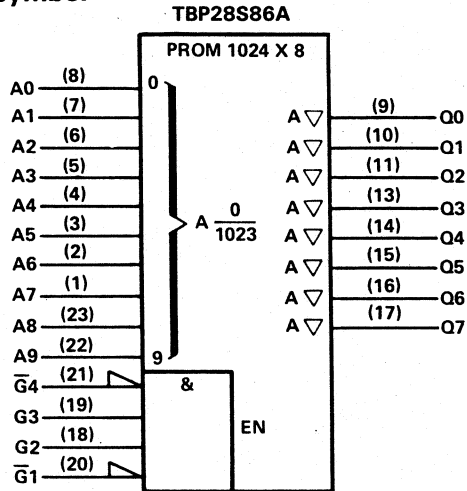
‡All typical values are at V_{CC} = 5 V, T_A = 25°C.

NOTE 3: Load circuits and voltage waveforms are shown in Section 1.

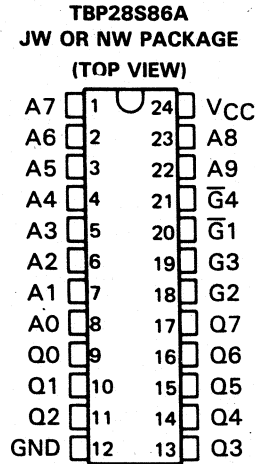
4 PROMS

TBP28S86A
8192 BITS (1024 WORDS BY 8 BITS)
STANDARD PROGRAMMABLE READ-ONLY MEMORIES WITH 3-STATE OUTPUTS

logic symbol



pin assignment



recommended operating conditions

PARAMETER	MJW			JW OR NW			UNIT
	MIN	NOM	MAX	MIN	NOM	MAX	
V _{CC} Supply voltage	4.5	5	5.5	4.75	5	5.25	V
V _{IH} High-level input voltage	2			2			V
V _{IL} Low-level input voltage			0.8			0.8	V
I _{OH} High-level output current			-2			-3.2	mA
I _{OL} Low-level output current			12			12	mA
T _A Operating free-air temperature range	-55		125	0		70	°C

electrical characteristics over recommended operating free-air temperature range (unless otherwise noted)

PARAMETER	TEST CONDITIONS [†]	MJW			JW OR NW			UNIT
		MIN	TYP [‡]	MAX	MIN	TYP [‡]	MAX	
V _{IK}	V _{CC} = MIN, I _I = -18 mA			-1.2			-1.2	V
V _{OH}	V _{CC} = MIN, I _{OH} = MAX	2.4	3.1		2.4	3.1		V
V _{OL}	V _{CC} = MIN, I _{OL} = 12 mA			0.5			0.5	V
I _{OZH}	V _{CC} = MAX, V _O = 2.4 V			50			50	μA
I _{OZL}	V _{CC} = MAX, V _O = 0.5 V			-50			-50	μA
I _I	V _{CC} = MAX, V _I = 5.5 V			1			1	mA
I _{IH}	V _{CC} = MAX, V _I = 2.7 V			25			25	μA
I _{IL}	V _{CC} = MAX, V _I = 0.5 V			-0.25			-0.25	mA
I _{OS} [§]	V _{CC} = MAX	-15		-100	-20		-100	mA
I _{CC}	V _{CC} = MAX		110	170		110	165	mA

switching characteristics over recommended ranges of T_A and V_{CC} (unless otherwise noted)

PARAMETER	TEST CONDITIONS	MJW			JW OR NW			UNIT
		MIN	TYP [‡]	MAX	MIN	TYP [‡]	MAX	
t _{aA}) Access time from address	C _L = 30 pF		35	80		35	65	ns
t _{a(S)} Access time from chip select (enable time)	See Note 3		20	50		20	40	ns
t _{dis} Disable time	C _L = 5 pF See Note 3		15	40		15	35	ns

[†]For conditions shown as MIN or MAX, use appropriate value specified under recommended operating conditions.

[‡]All typical values are at V_{CC} = 5 V, T_A = 25°C.

[§]Not more than one output should be shorted at a time, and duration of the short circuit should not exceed one second.

NOTE 3: Load circuits and voltage waveforms are shown in Section 1.

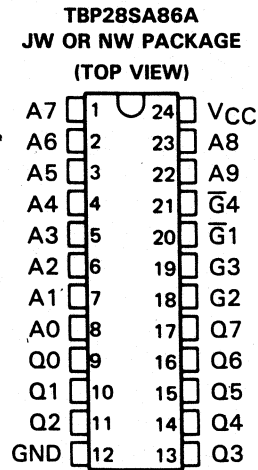
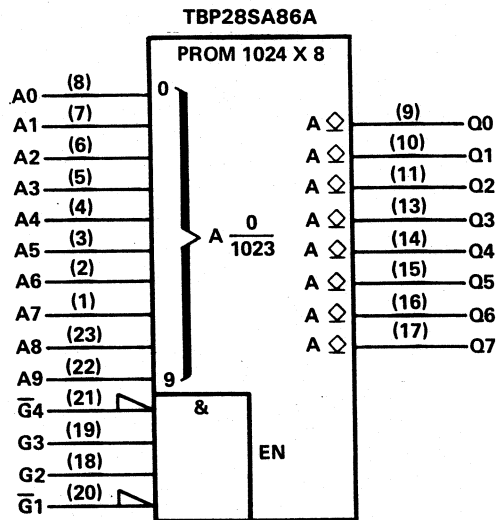
4

PROMS

TBP28SA86A
8192 BITS (1024 WORDS BY 8 BITS)
STANDARD PROGRAMMABLE READ-ONLY MEMORIES WITH OPEN-COLLECTOR OUTPUTS

logic symbol

pin assignment



recommended operating conditions

PARAMETER	MJW			JW OR NW			UNIT
	MIN	NOM	MAX	MIN	NOM	MAX	
V _{CC} Supply voltage	4.5	5	5.5	4.75	5	5.25	V
V _{IH} High-level input voltage	2			2			V
V _{IL} Low-level input voltage			0.8			0.8	V
V _{OH} High-level output voltage			5.5			5.5	V
I _{OL} Low-level output current			12			12	mA
T _A Operating free-air temperature range	-55		125	0		70	°C

electrical characteristics over recommended operating free-air temperature range (unless otherwise noted)

PARAMETER	TEST CONDITIONS [†]	MJW			JW OR NW			UNIT
		MIN	TYP [‡]	MAX	MIN	TYP [‡]	MAX	
V _{IK}	V _{CC} = MIN, I _I = -18 mA			-1.2			-1.2	V
I _{OH}	V _{CC} = MIN, V _{OH} = 2.4 V			0.05			0.05	mA
				0.1			0.1	
V _{OL}	V _{CC} = MIN, I _{OL} = 12 mA			0.5			0.5	V
I _I	V _{CC} = MAX, V _I = 5.5 V			1			1	mA
I _{IH}	V _{CC} = MAX, V _I = 2.7 V			25			25	μA
I _{IL}	V _{CC} = MAX, V _I = 0.5 V			-0.25			-0.25	mA
I _{CC}	V _{CC} = MAX	125	175		125	175		mA

switching characteristics over recommended ranges of T_A and V_{CC} (unless otherwise noted)

PARAMETER	TEST CONDITIONS	MJW			JW OR NW			UNIT
		MIN	TYP [‡]	MAX	MIN	TYP [‡]	MAX	
t _{a(A)} Access time from address	C _L = 30 pF R _{L1} = 300 Ω R _{L2} = 600 Ω See Note 3	35	80		35	70	ns	
t _{a(S)} Access time from chip select (enable time)		20	50		20	40	ns	
t _{PLH} Propagation delay time low-to-high-level output from chip select		15	40		15	35	ns	

[†]For conditions shown as MIN or MAX, use appropriate value specified under recommended operating conditions.

[‡]All typical values are at V_{CC} = 5 V, T_A = 25°C.

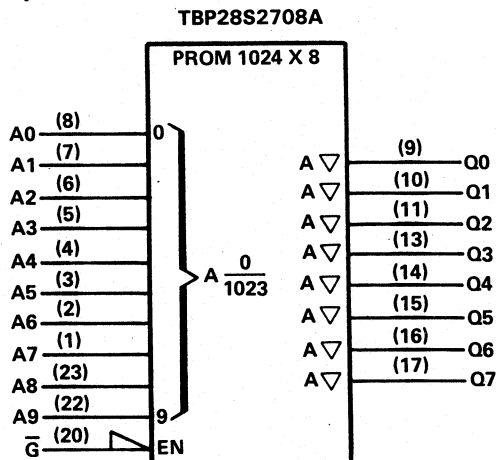
NOTE 3: Load circuits and voltage waveforms are shown in Section 1.

4

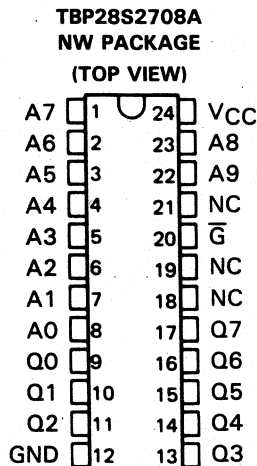
PROMS

TBP28S2708A
8192 BITS (1024 WORDS BY 8 BITS)
STANDARD PROGRAMMABLE READ-ONLY MEMORIES WITH 3-STATE OUTPUTS

logic symbol



pin assignment



recommended operating conditions

PARAMETER	NW			UNIT
	MIN	NOM	MAX	
V _{CC} Supply voltage	4.75	5	5.25	V
V _{IH} High-level input voltage	2			V
V _{IL} Low-level input voltage				0.8 V
I _{OH} High-level output current				-3.2 mA
I _{OL} Low-level output current				12 mA
T _A Operating free-air temperature range	0			70 °C

electrical characteristics over recommended operating free-air temperature range (unless otherwise noted)

PARAMETER	TEST CONDITIONS	NW			UNIT
		MIN	TYP†	MAX	
V _{IK}	V _{CC} = 4.75, I _I = -18 mA	-1.2			V
V _{OH}	V _{CC} = 4.75, I _{OH} = -3.2 mA	2.4	3.1		V
V _{OL}	V _{CC} = 4.75, I _{OL} = 12 mA	0.5			V
I _{OZH}	V _{CC} = 5.25, V _O = 2.4 V	50			μA
I _{OZL}	V _{CC} = 5.25, V _O = 0.5 V	-50			μA
I _I	V _{CC} = 5.25, V _I = 5.5 V	1			mA
I _{IH}	V _{CC} = 5.25, V _I = 2.7 V	25			μA
I _{IL}	V _{CC} = 5.25, V _I = 0.5 V	-0.25			mA
I _{OS} ‡	V _{CC} = 5.25	-20	-100		mA
I _{CC}	V _{CC} = 5.25	110		165	mA

switching characteristics over recommended ranges of T_A and V_{CC} (unless otherwise noted)

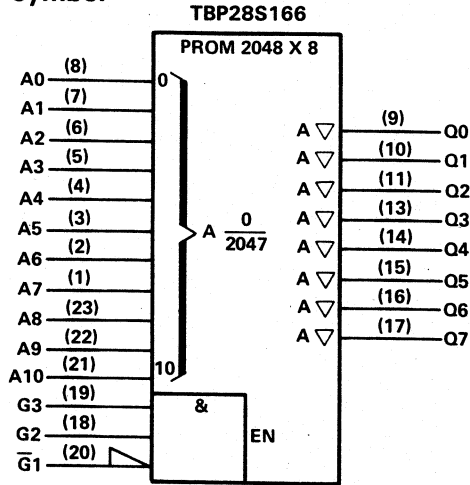
PARAMETER	TEST CONDITIONS	NW			UNIT
		MIN	TYP†	MAX	
t _{a(A)} Access time from address	C _L = 30 pF	45		70	ns
t _{a(S)} Access time from chip select (enable time)	See Note 3	20		40	ns
t _{dis} Disable time	C _L = 5 pF See Note 3	20		40	ns

†All typical values are at V_{CC} = 5 V, T_A = 25°C.
 ‡Not more than one output should be shorted at a time, and duration of the short circuit should not exceed one second.
 NOTE 3: Load circuits and voltage waveforms are shown in Section 1.

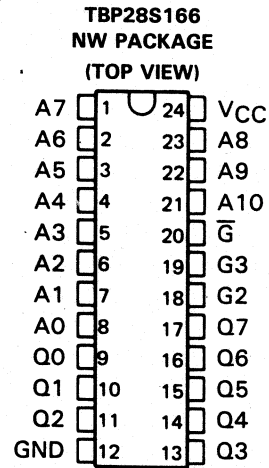
4
PROMS

TBP28S166
16,384 BITS (2084 WORDS BY 8 BITS)
STANDARD PROGRAMMABLE READ-ONLY MEMORIES WITH 3-STATE OUTPUTS

logic symbol



pin assignment



recommended operating conditions

PARAMETER	NW			UNIT
	MIN	NOM	MAX	
VCC Supply voltage	4.75	5	5.25	V
V _{IH} High-level input voltage	2			V
V _{IL} Low-level input voltage			0.8	V
I _{OH} High-level output current			-3.2	mA
I _{OL} Low-level output current			16	mA
T _A Operating free-air temperature range	0		70	°C

electrical characteristics over recommended operating free-air temperature range (unless otherwise noted)

PARAMETER	TEST CONDITIONS	NW			UNIT
		MIN	TYP†	MAX	
V _{IK}	VCC = 4.75, I _I = -18 mA			-1.2	V
V _{OH}	VCC = 4.75, I _{OH} = -3.2 mA	2.4	3.1		V
V _{OL}	VCC = 4.75, I _{OL} = 16 mA			0.5	V
I _{OZH}	VCC = 5.25, V _O = 2.4 V			50	μA
I _{OZL}	VCC = 5.25, V _O = 0.5 V			-50	μA
I _I	VCC = 5.25, V _I = 5.5 V			1	mA
I _{IH}	VCC = 5.25, V _I = 2.7 V			25	μA
I _{IL}	VCC = 5.25, V _I = 0.5 V			-0.25	mA
I _{OS} ‡	VCC = 5.25	-20		-100	mA
I _{CC}	VCC = 5.25		130	175	mA

switching characteristics over recommended ranges of T_A and V_{CC} (unless otherwise noted)

PARAMETER	TEST CONDITIONS	NW			UNIT
		MIN	TYP†	MAX	
t _{a(A)} Access time from address	C _L = 30 pF		35	75	ns
t _{a(S)} Access time from chip select (enable time)	See Note 3		15	40	ns
t _{dis} Disable time	C _L = 5 pF See Note 3		15	40	ns

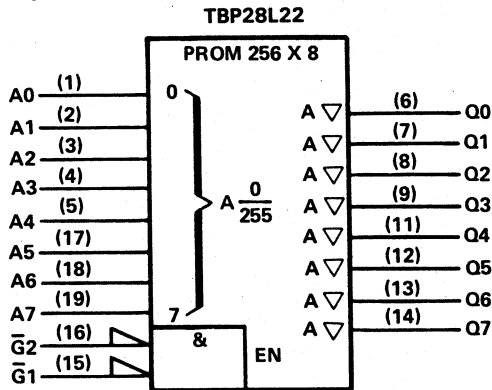
† All typical values are at VCC = 5 V, T_A = 25°C.

‡ Not more than one output should be shorted at a time, and duration of the short circuit should not exceed one second.

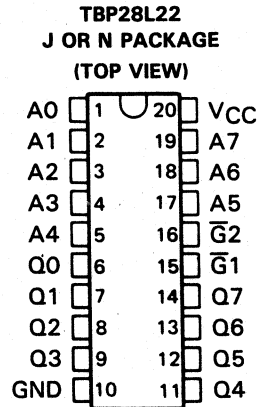
NOTE 3: Load circuits and voltage waveforms are shown in Section 1.

TBP28L22
2048 BITS (256 WORDS BY 8 BITS)
LOW-POWER PROGRAMMABLE READ-ONLY MEMORIES WITH 3-STATE OUTPUTS

logic symbol



pin assignment



recommended operating conditions

PARAMETER	MJ			J OR N			UNIT
	MIN	NOM	MAX	MIN	NOM	MAX	
V _{CC} Supply voltage	4.5	5	5.5	4.75	5	5.25	V
V _{IH} High-level input voltage	2			2			V
V _{IL} Low-level input voltage			0.8			0.8	V
I _{OH} High-level output current			-2			-6.5	mA
I _{OL} Low-level output current			16			16	mA
T _A Operating free-air temperature range	-55		125	0		70	°C

electrical characteristics over recommended operating free-air temperature range (unless otherwise noted)

PARAMETER	TEST CONDITIONS [†]	MJ			J OR N			UNIT
		MIN	TYP [‡]	MAX	MIN	TYP [‡]	MAX	
V _{IK}	V _{CC} = MIN, I _I = -18 mA			-1.2			-1.2	V
V _{OH}	V _{CC} = MIN, I _{OH} = MAX	2.4	3.1		2.4	3.1		V
V _{OL}	V _{CC} = MIN, I _{OL} = 16 mA			0.5			0.5	V
I _{OZH}	V _{CC} = MAX, V _O = 2.4 V			50			50	μA
I _{OZL}	V _{CC} = MAX, V _O = 0.5 V			-50			-50	μA
I _I	V _{CC} = MAX, V _I = 5.5 V			1			1	mA
I _{IH}	V _{CC} = MAX, V _I = 2.7 V			25			25	μA
I _{IL}	V _{CC} = MAX, V _I = 0.5 V			-0.25			-0.25	mA
I _{OS} [§]	V _{CC} = MAX	-25		-100	-30		-100	mA
I _{CC}	V _{CC} = MAX		75	100		75	100	mA

switching characteristics over recommended ranges of T_A and V_{CC} (unless otherwise noted)

PARAMETER	TEST CONDITIONS	MJ			J OR N			UNIT
		MIN	TYP [‡]	MAX	MIN	TYP [‡]	MAX	
t _{a(A)} Access time from address	C _L = 30 pF		45	75		45	70	ns
t _{a(S)} Access time from chip select (enable time)	See Note 3		20	40		20	35	ns
t _{dis} Disable time	C _L = 5 pF See Note 3		15	35		15	30	ns

[†]For conditions shown as MIN or MAX, use appropriate value specified under recommended operating conditions.

[‡]All typical values are at V_{CC} = 5 V, T_A = 25°C.

[§]Not more than one output should be shorted at a time, and duration of the short circuit should not exceed one second.

NOTE 3: Load circuits and voltage waveforms are shown in Section 1.

4

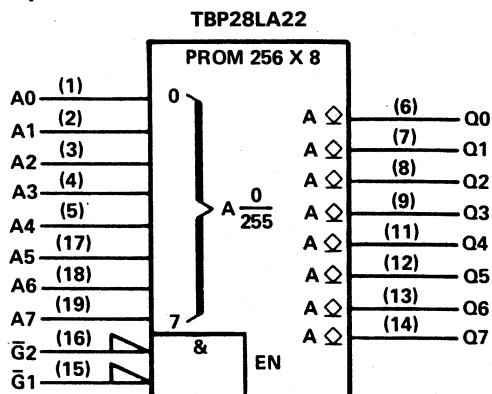
PROMS

TBP28LA22

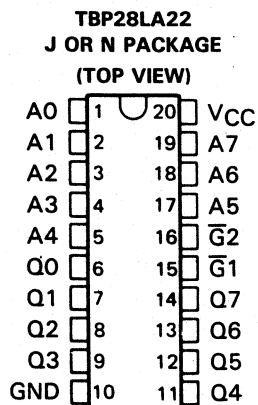
2048 BITS (256 WORDS BY 8 BITS)

LOW-POWER PROGRAMMABLE READ-ONLY MEMORIES WITH OPEN-COLLECTOR OUTPUTS

logic symbol



pin assignment



recommended operating conditions

PARAMETER	MJ			J OR N			UNIT
	MIN	NOM	MAX	MIN	NOM	MAX	
V _{CC} Supply voltage	4.5	5	5.5	4.75	5	5.25	V
V _{IH} High-level input voltage	2			2			V
V _{IL} Low-level input voltage			0.8			0.8	V
V _{OH} High-level output voltage			5.5			5.5	V
I _{OL} Low-level output current			16			16	mA
T _A Operating free-air temperature range	-55		125	0		70	°C

4

PROMS

electrical characteristics over recommended operating free-air temperature range (unless otherwise noted)

PARAMETER	TEST CONDITIONS†	MJ			J OR N			UNIT
		MIN	TYP‡	MAX	MIN	TYP‡	MAX	
V _{IK}	V _{CC} = MIN, I _I = -18 mA			-1.2			-1.2	V
I _{OH}	V _{CC} = MIN, V _{OH} = 2.4 V			0.05			0.05	mA
				0.1			0.1	
V _{OL}	V _{CC} = MIN, I _{OL} = 16 mA			0.5			0.5	V
I _I	V _{CC} = MAX, V _I = 5.5 V			1			1	mA
I _{IH}	V _{CC} = MAX, V _I = 2.7 V			25			25	μA
I _{IL}	V _{CC} = MAX, V _I = 0.5 V			-0.25			-0.25	mA
I _{CC}	V _{CC} = MAX			75			75	100 mA

switching characteristics over recommended ranges of T_A and V_{CC} (unless otherwise noted)

PARAMETER	TEST CONDITIONS	MJ			J OR N			UNIT	
		MIN	TYP‡	MAX	MIN	TYP‡	MAX		
t _{aA}) Access time from address	C _L = 30 pF R _{L1} = 300 Ω R _{L2} = 600 Ω See Note 3			40	80		45	75	ns
t _{a(S)}) Access time from chip select (enable time)				20	40		20	35	ns
t _{PLH}) Propagation delay time low-to-high-level output from chip select					15	35		15	30

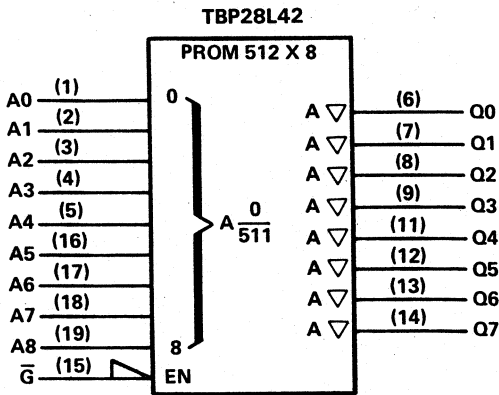
†For conditions shown as MIN or MAX, use appropriate value specified under recommended operating conditions.

‡All typical values are at V_{CC} = 5 V, T_A = 25°C.

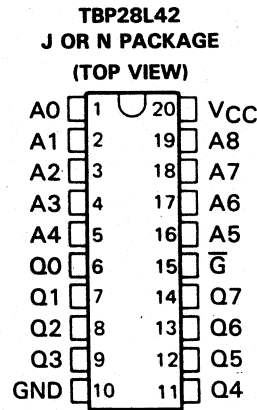
NOTE 3: Load circuits and voltage waveforms are shown in Section 1.

TBP28L42
4096 BITS (512 WORDS BY 8 BITS)
LOW-POWER PROGRAMMABLE READ-ONLY MEMORIES WITH 3-STATE OUTPUTS

logic symbol



pin assignment



recommended operating conditions

PARAMETER	MJ			J OR N			UNIT
	MIN	NOM	MAX	MIN	NOM	MAX	
V _{CC} Supply voltage	4.5	5	5.5	4.75	5	5.25	V
V _{IH} High-level input voltage	2			2			V
V _{IL} Low-level input voltage			0.8			0.8	V
I _{OH} High-level output current			-1			-1.6	mA
I _{OL} Low-level output current			8			8	mA
T _A Operating free-air temperature range	-55		125	0		70	°C

electrical characteristics over recommended operating free-air temperature range (unless otherwise noted)

PARAMETER	TEST CONDITIONS [†]	MJ			J OR N			UNIT
		MIN	TYP [‡]	MAX	MIN	TYP [‡]	MAX	
V _{IK}	V _{CC} = MIN, I _I = -18 mA			-1.2			-1.2	V
V _{OH}	V _{CC} = MIN, I _{OH} = MAX	2.4	3.1		2.4	3.1		V
V _{OL}	V _{CC} = MIN, I _{OL} = 8 mA			0.5			0.5	V
I _{OZH}	V _{CC} = MAX, V _O = 2.4 V			50			50	μA
I _{OZL}	V _{CC} = MAX, V _O = 0.5 V			-50			-50	μA
I _I	V _{CC} = MAX, V _I = 5.5 V			1			1	mA
I _{IH}	V _{CC} = MAX, V _I = 2.7 V			25			25	μA
I _{IL}	V _{CC} = MAX, V _I = 0.5 V			-0.25			-0.25	mA
I _{OS} [§]	V _{CC} = MAX	-10		-100	-10		-100	mA
I _{CC}	V _{CC} = MAX		50	85		50	85	mA

switching characteristics over recommended ranges of T_A and V_{CC} (unless otherwise noted)

PARAMETER	TEST CONDITIONS	MJ			J OR N			UNIT
		MIN	TYP [‡]	MAX	MIN	TYP [‡]	MAX	
t _{a(A)} Access time from address	C _L = 30 pF		55	110		55	95	ns
t _{a(S)} Access time from chip select (enable time)	See Note 3		25	60		25	60	ns
t _{dis} Disable time	C _L = 5 pF See Note 3		25	50		25	40	ns

[†]For conditions shown as MIN or MAX, use appropriate value specified under recommended operating conditions.

[‡]All typical values are at V_{CC} = 5 V, T_A = 25°C.

[§]Not more than one output should be shorted at a time, and duration of the short circuit should not exceed one second.

NOTE 3: Load circuits and voltage waveforms are shown in Section 1.

4

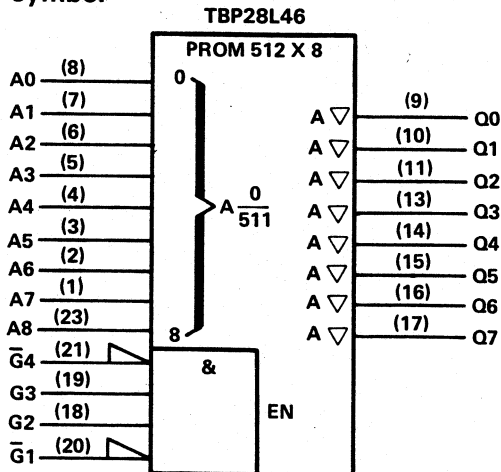
PROMS

TBP28L46

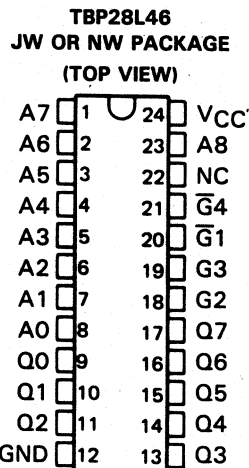
4096 BITS (512 WORDS BY 8 BITS)

LOW-POWER PROGRAMMABLE READ-ONLY MEMORIES WITH 3-STATE OUTPUTS

logic symbol:



pin assignment



recommended operating conditions

PARAMETER	MJW			JW OR NW			UNIT
	MIN	NOM	MAX	MIN	NOM	MAX	
V _{CC} Supply voltage	4.5	5	5.5	4.75	5	5.25	V
V _{IH} High-level input voltage	2			2			V
V _{IL} Low-level input voltage							V
I _{OH} High-level output current			0.8			0.8	V
I _{OL} Low-level output current			-1			-1.6	mA
T _A Operating free-air temperature range			8			8	mA
	-55		125	0		70	°C

electrical characteristics over recommended operating free-air temperature range (unless otherwise noted)

PARAMETER	TEST CONDITIONS†	MJW			JW OR NW			UNIT
		MIN	TYP‡	MAX	MIN	TYP‡	MAX	
V _{IK}	V _{CC} = MIN, I _I = -18 mA			-1.2			-1.2	V
V _{OH}	V _{CC} = MIN, I _{OH} = MAX	2.4	3.1		2.4	3.1		V
V _{OL}	V _{CC} = MIN, I _{OL} = 8 mA			0.5			0.5	V
I _{OZH}	V _{CC} = MAX, V _O = 2.4 V			50			50	μA
I _{OZL}	V _{CC} = MAX, V _O = 0.5 V			-50			-50	μA
I _I	V _{CC} = MAX, V _I = 5.5 V			1			1	mA
I _{IH}	V _{CC} = MAX, V _I = 2.7 V			25			25	μA
I _{IL}	V _{CC} = MAX, V _I = 0.5 V			-0.25			-0.25	mA
I _{OS} §	V _{CC} = MAX	-10		-100	-10		-100	mA
I _{CC}	V _{CC} = MAX		50	85		50	85	mA

switching characteristics over recommended ranges of T_A and V_{CC} (unless otherwise noted)

PARAMETER	TEST CONDITIONS	MJW			JW OR NW			UNIT
		MIN	TYP‡	MAX	MIN	TYP‡	MAX	
t _{a(A)} Access time from address	C _L = 30 pF		55	110		55	95	ns
t _{a(S)} Access time from chip select (enable time)	See Note 3		25	60		25	60	ns
t _{dis} Disable time	C _L = 5 pF See Note 3		25	50		25	40	ns

†For conditions shown as MIN or MAX, use appropriate value specified under recommended operating conditions.

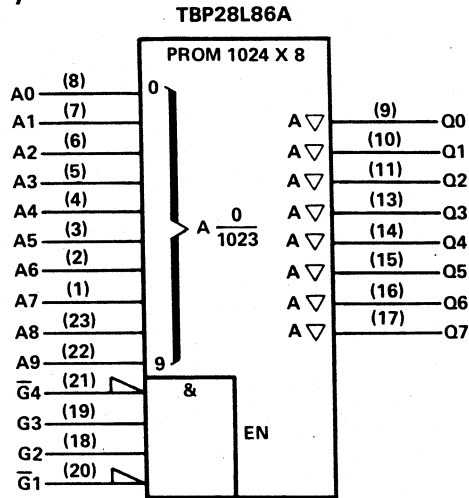
‡All typical values are at V_{CC} = 5 V, T_A = 25°C.

§Not more than one output should be shorted at a time, and duration of the short circuit should not exceed one second.

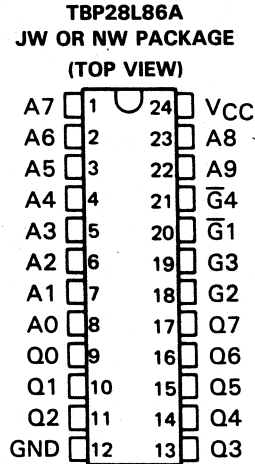
NOTE 3: Load circuits and voltage waveforms are shown in Section 1.

TBP28L86A
8192 BITS (1024 WORDS BY 8 BITS)
LOW-POWER PROGRAMMABLE READ-ONLY MEMORIES WITH 3-STATE OUTPUTS

logic symbol



pin assignment



recommended operating conditions

PARAMETER	MJW			JW OR NW			UNIT
	MIN	NOM	MAX	MIN	NOM	MAX	
V _{CC} Supply voltage	4.5	5	5.5	4.75	5	5.25	V
V _{IH} High-level input voltage	2			2			V
V _{IL} Low-level input voltage			0.8			0.8	V
I _{OH} High-level output current			-1			-1.6	mA
I _{OL} Low-level output current			8			8	mA
T _A Operating free-air temperature range	-55		125	0		70	°C

electrical characteristics over recommended operating free-air temperature range (unless otherwise noted)

PARAMETER	TEST CONDITIONS [†]	MJW			JW OR NW			UNIT
		MIN	TYP [‡]	MAX	MIN	TYP [‡]	MAX	
V _{IK}	V _{CC} = MIN, I _I = -18 mA			-1.2			-1.2	V
V _{OH}	V _{CC} = MIN, I _{OH} = MAX	2.4	3.1		2.4	3.1		V
V _{OL}	V _{CC} = MIN, I _{OL} = 8 mA			0.5			0.5	V
I _{OZH}	V _{CC} = MAX, V _O = 2.4 V			50			50	μA
I _{OZL}	V _{CC} = MAX, V _O = 0.5 V			-50			-50	μA
I _I	V _{CC} = MAX, V _I = 5.5 V			1			1	mA
I _{IH}	V _{CC} = MAX, V _I = 2.7 V			25			25	μA
I _{IL}	V _{CC} = MAX, V _I = 0.5 V			-0.25			-0.25	mA
I _{OS} [§]	V _{CC} = MAX	-10		-100	-10		-100	mA
I _{CC}	V _{CC} = MAX		55	95		55	80	mA

switching characteristics over recommended ranges of T_A and V_{CC} (unless otherwise noted)

PARAMETER	TEST CONDITIONS	MJW			JW OR NW			UNIT
		MIN	TYP [‡]	MAX	MIN	TYP [‡]	MAX	
t _{a(A)} Access time from address	C _L = 30 pF		65	200		65	110	ns
t _{a(S)} Access time from chip select (enable time)	See Note 3		40	125		40	80	ns
t _{dis} Disable time	C _L = 5 pF See Note 3		25	100		25	60	ns

[†]For conditions shown as MIN or MAX, use appropriate value specified under recommended operating conditions.

[‡]All typical values are at V_{CC} = 5 V, T_A = 25 °C.

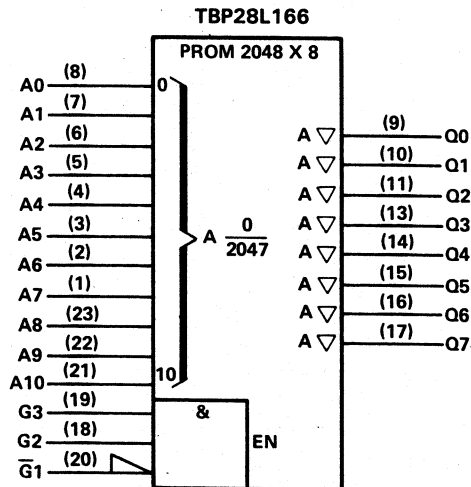
[§]Not more than one output should be shorted at a time, and duration of the short circuit should not exceed one second.

NOTE 3: Load circuits and voltage waveforms are shown in Section 1.

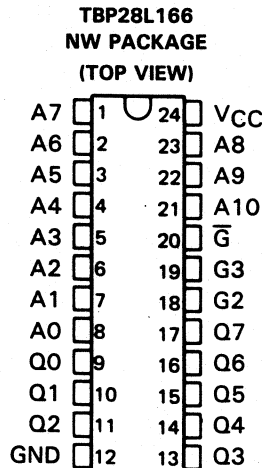
4
PROMS

TBP28L166
16,384 BITS (2084 WORDS BY 8 BITS)
LOW-POWER PROGRAMMABLE READ-ONLY MEMORIES WITH 3-STATE OUTPUTS

logic symbol



pin assignment



recommended operating conditions

PARAMETER	NW			UNIT
	MIN	NOM	MAX	
V _{CC} Supply voltage	4.75	5	5.25	V
V _{IH} High-level input voltage	2			V
V _{IL} Low-level input voltage			0.8	V
I _{OH} High-level output current			-1.6	mA
I _{OL} Low-level output current			8	mA
T _A Operating free-air temperature range	0		70	°C

electrical characteristics over recommended operating free-air temperature range (unless otherwise noted)

PARAMETER	TEST CONDITIONS	NW			UNIT
		MIN	TYP†	MAX	
V _{IK}	V _{CC} = 4.75, I _I = -18 mA			-1.2	V
V _{OH}	V _{CC} = 4.75, I _{OH} = -1.6 mA	2.4	3.1		V
V _{OL}	V _{CC} = 4.75, I _{OL} = 8 mA			0.5	V
I _{OZH}	V _{CC} = 5.25, V _O = 2.4 V			50	μA
I _{OZL}	V _{CC} = 5.25, V _O = 0.5 V			-50	μA
I _I	V _{CC} = 5.25, V _I = 5.5 V			1	mA
I _{IH}	V _{CC} = 5.25, V _I = 2.7 V			25	μA
I _{IL}	V _{CC} = 5.25, V _I = 0.5 V			-0.25	mA
I _{OS} ‡	V _{CC} = 5.25	-10		-100	mA
I _{CC}	V _{CC} = 5.25		75	110	mA

switching characteristics over recommended ranges of T_A and V_{CC} (unless otherwise noted)

PARAMETER	TEST CONDITIONS	NW			UNIT
		MIN	TYP†	MAX	
t _{a(A)} Access time from address	C _L = 30 pF		80	125	ns
t _{a(S)} Access time from chip select (enable time)	See Note 3		40	65	ns
t _{dis} Disable time	C _L = 5 pF See Note 3		30	65	ns

† All typical values are at V_{CC} = 5 V, T_A = 25 °C.

‡ Not more than one output should be shorted at a time, and duration of the short circuit should not exceed one second.

NOTE 3: Load circuits and voltage waveforms are shown in Section 1.

4

PROMS

SERIES 24 AND 28 PROGRAMMABLE READ-ONLY MEMORIES

recommended operating conditions for programming (see Figure 1)

		MIN	NOM	MAX	UNIT
Steady-state supply voltage	V_{CC}	4.75	5	5.25	V
Input voltage	V_{IH}	3	4	5	V
	V_{IL}	0	0	0.5	
Voltage at all outputs except the one to be programmed		0	0	0.5	V
Supply voltage level to program a bit	$V_{CC(pr)}$	5.75	6	6.25	V
Select or enable level to program a bit	$V_{S(pr)}$	9.75	10	11	V
Output level during interval t_5	$V_{O(pr)}$	15.75	16	16.25	V
Supply voltage during verification (see step 14)	Low	4.4	4.5	4.6	V
	High	5.4	5.5	5.6	
Time from V_{CC} to settle and to verify need to program	t_1	0	5	10	μs
Time from $V_{CC} = 6 V$ until chip select (enable) is at 10 V-	t_2	5	5	10	μs
Time from chip select (enable) high to start of program ramp	t_3	0.1	5	10	μs
Ramp time, output program pulse	t_4	10	15	20	μs
Duration of output program pulse	t_5	15	20	20	μs
Time from end of program pulse to chip select (enable) low	t_6	5	5	10	μs
Time from chip select (enable) $V_{CC} = 0 V$	t_7	0.1	5	5	μs
Time for cooling between bits	t_8	30	50	100	μs
Time for cooling between words	t_9	30	50		μs
Free-air temperature	T_A	20	25	30	$^{\circ}C$

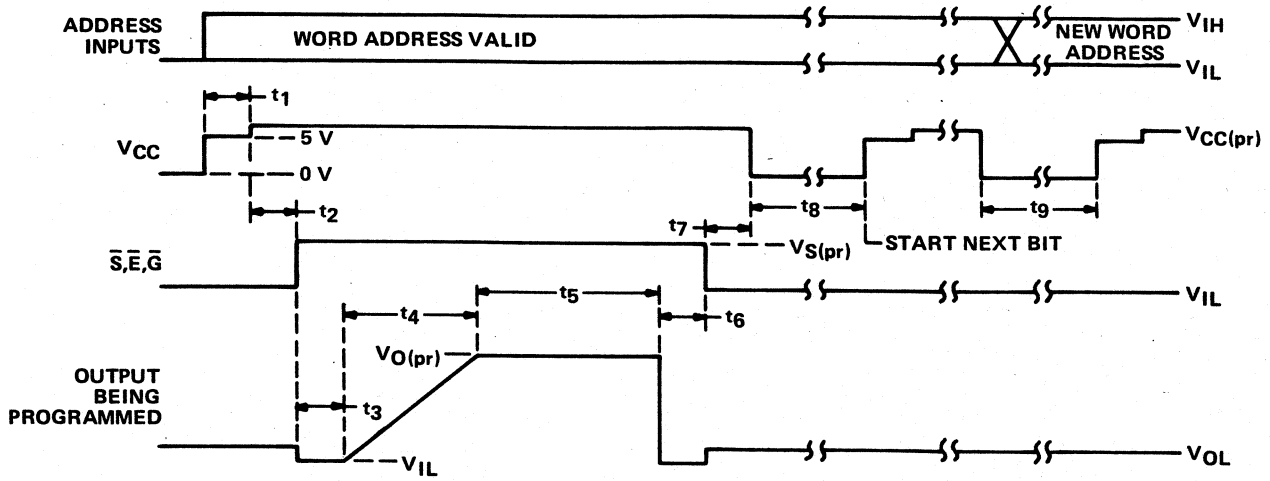
step-by-step programming instruction (see Figure 1)

1. Address the word to be programmed, apply 5 volts to V_{CC} and active levels to all chip select (S and \bar{S}) or chip enable (E and \bar{E}) inputs.
2. Verify the status of a bit location by checking the output level.
3. Decrease V_{CC} to 0 volts.
4. For bit locations that do not require programming, skip steps 5 through 11.
5. Increase V_{CC} to $V_{CC(pr)}$ with a minimum current capability of 250 milliamperes.
6. Apply $V_{S(pr)}$ to all the \bar{S} , \bar{E} or \bar{G} inputs. $I_I \leq 25$ milliamperes. Active-high enables may be left high.
7. Connect all outputs, except the one to be programmed, to V_{IL} . Only one bit is to be programmed at a time.
8. Apply the output programming pulse for 20 microseconds. Minimum current capability of the programming supply should be 250 milliamperes.
9. After terminating the output pulse, disconnect all outputs from V_{IL} conditions.
10. Reduce the voltage at \bar{S} , \bar{E} , or \bar{G} inputs to V_{II} .
11. Decrease V_{CC} to 0 volts.
12. Return to step 4 until all outputs in the word have been programmed.
13. Repeat steps 2 through 11 for each word in memory.
14. Verify programming of every word after all words have been programmed using V_{CC} values of 4.5 and 5.5 volts.

4

PROMS

**SERIES 24 AND 28
PROGRAMMABLE READ-ONLY MEMORIES**



NOTE 4: Rise and fall times should be $\leq 1 \mu s$.

FIGURE 1. TIMING DIAGRAM AND VOLTAGE WAVEFORMS FOR PROGRAMMING SEQUENCE

PACKAGING INFORMATION

Orderable part number	Status (1)	Material type (2)	Package Pins	Package qty Carrier	RoHS (3)	Lead finish/ Ball material (4)	MSL rating/ Peak reflow (5)	Op temp (°C)	Part marking (6)
JBP28L42MJ	Active	Production	CDIP (J) 20	20 TUBE	No	SNPB	N/A for Pkg Type	-55 to 125	JBP28L42MJ
JBP28L42MJ.A	Active	Production	CDIP (J) 20	20 TUBE	No	SNPB	N/A for Pkg Type	-55 to 125	JBP28L42MJ
JBP28S42MJ	Active	Production	CDIP (J) 20	20 TUBE	No	SNPB	N/A for Pkg Type	-55 to 125	JBP28S42MJ
JBP28S42MJ.A	Active	Production	CDIP (J) 20	20 TUBE	No	SNPB	N/A for Pkg Type	-55 to 125	JBP28S42MJ

⁽¹⁾ **Status:** For more details on status, see our [product life cycle](#).

⁽²⁾ **Material type:** When designated, preproduction parts are prototypes/experimental devices, and are not yet approved or released for full production. Testing and final process, including without limitation quality assurance, reliability performance testing, and/or process qualification, may not yet be complete, and this item is subject to further changes or possible discontinuation. If available for ordering, purchases will be subject to an additional waiver at checkout, and are intended for early internal evaluation purposes only. These items are sold without warranties of any kind.

⁽³⁾ **RoHS values:** Yes, No, RoHS Exempt. See the [TI RoHS Statement](#) for additional information and value definition.

⁽⁴⁾ **Lead finish/Ball material:** Parts may have multiple material finish options. Finish options are separated by a vertical ruled line. Lead finish/Ball material values may wrap to two lines if the finish value exceeds the maximum column width.

⁽⁵⁾ **MSL rating/Peak reflow:** The moisture sensitivity level ratings and peak solder (reflow) temperatures. In the event that a part has multiple moisture sensitivity ratings, only the lowest level per JEDEC standards is shown. Refer to the shipping label for the actual reflow temperature that will be used to mount the part to the printed circuit board.

⁽⁶⁾ **Part marking:** There may be an additional marking, which relates to the logo, the lot trace code information, or the environmental category of the part.

Multiple part markings will be inside parentheses. Only one part marking contained in parentheses and separated by a "~" will appear on a part. If a line is indented then it is a continuation of the previous line and the two combined represent the entire part marking for that device.

Important Information and Disclaimer: The information provided on this page represents TI's knowledge and belief as of the date that it is provided. TI bases its knowledge and belief on information provided by third parties, and makes no representation or warranty as to the accuracy of such information. Efforts are underway to better integrate information from third parties. TI has taken and continues to take reasonable steps to provide representative and accurate information but may not have conducted destructive testing or chemical analysis on incoming materials and chemicals. TI and TI suppliers consider certain information to be proprietary, and thus CAS numbers and other limited information may not be available for release.

In no event shall TI's liability arising out of such information exceed the total purchase price of the TI part(s) at issue in this document sold by TI to Customer on an annual basis.

J (R-GDIP-T**)

14 LEADS SHOWN

CERAMIC DUAL IN-LINE PACKAGE



DIM \ PINS **	14	16	18	20
A	0.300 (7,62) BSC	0.300 (7,62) BSC	0.300 (7,62) BSC	0.300 (7,62) BSC
B MAX	0.785 (19,94)	.840 (21,34)	0.960 (24,38)	1.060 (26,92)
B MIN	—	—	—	—
C MAX	0.300 (7,62)	0.300 (7,62)	0.310 (7,87)	0.300 (7,62)
C MIN	0.245 (6,22)	0.245 (6,22)	0.220 (5,59)	0.245 (6,22)



4040083/F 03/03

- NOTES:
- A. All linear dimensions are in inches (millimeters).
 - B. This drawing is subject to change without notice.
 - C. This package is hermetically sealed with a ceramic lid using glass frit.
 - D. Index point is provided on cap for terminal identification only on press ceramic glass frit seal only.
 - E. Falls within MIL STD 1835 GDIP1-T14, GDIP1-T16, GDIP1-T18 and GDIP1-T20.

IMPORTANT NOTICE AND DISCLAIMER

TI PROVIDES TECHNICAL AND RELIABILITY DATA (INCLUDING DATASHEETS), DESIGN RESOURCES (INCLUDING REFERENCE DESIGNS), APPLICATION OR OTHER DESIGN ADVICE, WEB TOOLS, SAFETY INFORMATION, AND OTHER RESOURCES "AS IS" AND WITH ALL FAULTS, AND DISCLAIMS ALL WARRANTIES, EXPRESS AND IMPLIED, INCLUDING WITHOUT LIMITATION ANY IMPLIED WARRANTIES OF MERCHANTABILITY, FITNESS FOR A PARTICULAR PURPOSE OR NON-INFRINGEMENT OF THIRD PARTY INTELLECTUAL PROPERTY RIGHTS.

These resources are intended for skilled developers designing with TI products. You are solely responsible for (1) selecting the appropriate TI products for your application, (2) designing, validating and testing your application, and (3) ensuring your application meets applicable standards, and any other safety, security, regulatory or other requirements.

These resources are subject to change without notice. TI grants you permission to use these resources only for development of an application that uses the TI products described in the resource. Other reproduction and display of these resources is prohibited. No license is granted to any other TI intellectual property right or to any third party intellectual property right. TI disclaims responsibility for, and you fully indemnify TI and its representatives against any claims, damages, costs, losses, and liabilities arising out of your use of these resources.

TI's products are provided subject to [TI's Terms of Sale](#), [TI's General Quality Guidelines](#), or other applicable terms available either on ti.com or provided in conjunction with such TI products. TI's provision of these resources does not expand or otherwise alter TI's applicable warranties or warranty disclaimers for TI products. Unless TI explicitly designates a product as custom or customer-specified, TI products are standard, catalog, general purpose devices.

TI objects to and rejects any additional or different terms you may propose.

Copyright © 2026, Texas Instruments Incorporated

Last updated 10/2025