

LM136A-2.5QML 2.5V Reference Diode

Check for Samples: [LM136A-2.5QML](#), [LM136A-2.5QML-SP](#)

FEATURES

- Available with Radiation Specification
 - Total Ionizing Dose 100 krad(Si)
 - ELDRS Free 100 krad(Si)
- Low Temperature Coefficient
- Wide Operating Current of 400 μ A to 10 mA
- Specified Temperature Stability
- Easily Trimmed for Minimum Temperature Drift
- Fast Turn-on
- 3–Lead Transistor Package

DESCRIPTION

The LM136A-2.5QML integrated circuit is a precision 2.5V shunt regulator diode. This monolithic IC voltage reference operates as a low-temperature-coefficient 2.5V zener with 0.2 Ω dynamic impedance. A third terminal on the LM136A-2.5QML allows the reference voltage and temperature coefficient to be trimmed easily.

The LM136A-2.5QML is useful as a precision 2.5V low voltage reference for digital voltmeters, power supplies or op amp circuitry. The 2.5V make it convenient to obtain a stable reference from 5V logic supplies. Further, since the LM136A-2.5QML operates as a shunt regulator, it can be used as either a positive or negative voltage reference.

Connection Diagram

Bottom View

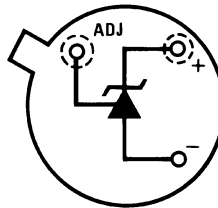


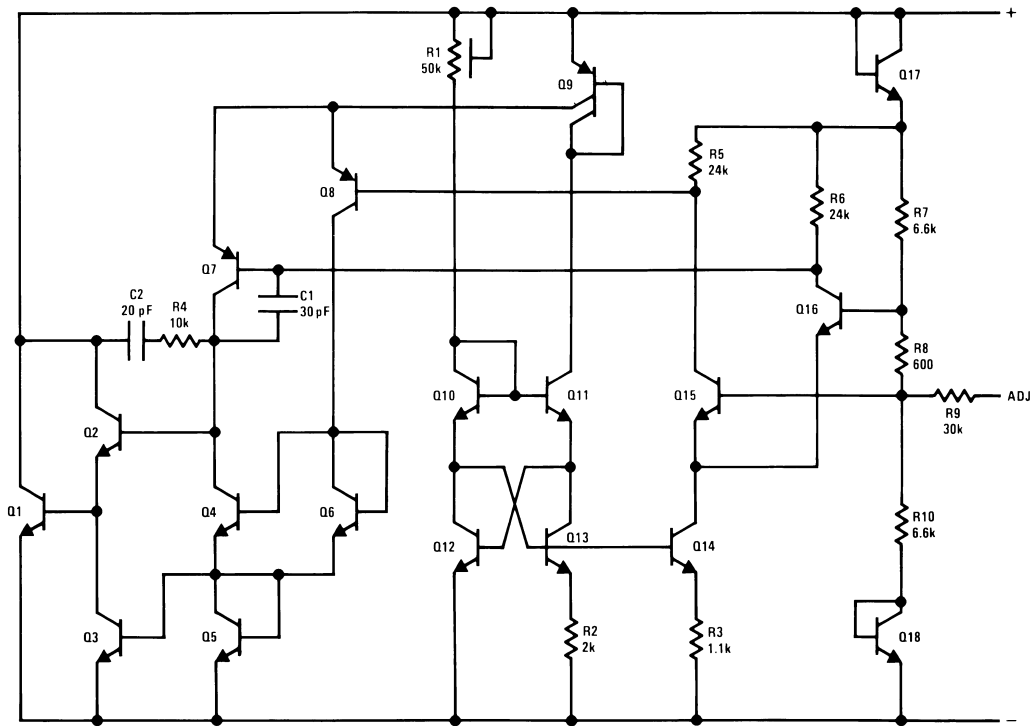
Figure 1. TO Package
See Package Number NDV0003H



Please be aware that an important notice concerning availability, standard warranty, and use in critical applications of Texas Instruments semiconductor products and disclaimers thereto appears at the end of this data sheet.

All trademarks are the property of their respective owners.

Schematic Diagram



Typical Applications

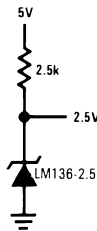
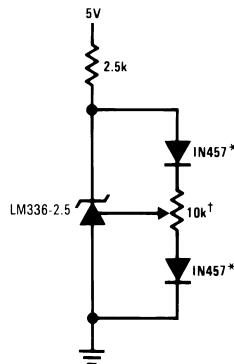


Figure 2. 2.5V Reference



†Adjust to 2.490V
 *Any silicon signal diode

Figure 3. 2.5V Reference with Minimum Temperature Coefficient

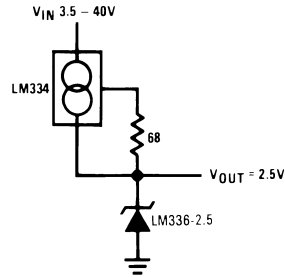


Figure 4. Wide Input Range Reference



These devices have limited built-in ESD protection. The leads should be shorted together or the device placed in conductive foam during storage or handling to prevent electrostatic damage to the MOS gates.

Absolute Maximum Ratings⁽¹⁾

Reverse Current			15 mA
Forward Current			10 mA
Storage Temperature			$-60^{\circ}\text{C} \leq T_A \leq +150^{\circ}\text{C}$
Operating Temperature Range ⁽²⁾			$-55^{\circ}\text{C} \leq T_A \leq +125^{\circ}\text{C}$
Maximum Junction Temperature (T_J) ⁽²⁾			+150°C
Lead Temperature (Soldering 10 seconds)			300°C
Thermal Resistance	θ_{JA}	Still Air Flow	354°C/W
		500LF/Min Air Flow	77°C/W
	θ_{JC}		46°C/W
ESD Rating ⁽³⁾			1,000V

- (1) Absolute Maximum Ratings indicate limits beyond which damage to the device may occur. Operating Ratings indicate conditions for which the device is functional, but do not ensure specific performance limits. For ensured specifications and test conditions, see the Electrical Characteristics. The ensured specifications apply only for the test conditions listed. Some performance characteristics may degrade when the device is not operated under the listed test conditions.
- (2) The maximum power dissipation must be derated at elevated temperatures and is dictated by T_{Jmax} (maximum junction temperature), θ_{JA} (package junction to ambient thermal resistance), and T_A (ambient temperature). The maximum allowable power dissipation at any temperature is $P_{Dmax} = (T_{Jmax} - T_A)/\theta_{JA}$ or the number given in the Absolute Maximum Ratings, whichever is lower.
- (3) Human body model, 1.5K Ω in series with 100pF.

Quality Conformance Inspection

Mil-Std-883, Method 5005 - Group A

Subgroup	Description	Temp°C
1	Static tests at	+25
2	Static tests at	+125
3	Static tests at	-55
4	Dynamic tests at	+25
5	Dynamic tests at	+125
6	Dynamic tests at	-55
7	Functional tests at	+25
8A	Functional tests at	+125
8B	Functional tests at	-55
9	Switching tests at	+25
10	Switching tests at	+125
11	Switching tests at	-55
12	Settling time at	+25
13	Settling time at	+125
14	Settling time at	-55

LM136A-2.5QML Electrical Characteristics DC Parameters⁽¹⁾⁽²⁾

 The following conditions apply, unless otherwise specified. $I_R = 1\text{mA}$

Parameter		Test Conditions	Notes	Min	Max	Unit	Sub-groups
I_{Adj}	Adjust Current	$V_{Adj} = 0.7\text{V}$		-125	+125	μA	1, 2, 3
ΔV_Z	Delta Zener Voltage	$0.4\text{mA} \leq I_Z \leq 10\text{mA}$			6.0	mV	1
					10	mV	2, 3
V_Z	Zener Voltage	$V_{Adj} = \text{Open}$		2.46 5	2.51 5	V	1
				2.44	2.54	V	2, 3
		$V_{Adj} = 0.7\text{V}$		2.39	2.49	V	1
				2.29	2.49	V	2, 3
$V_{Adj} = 1.9\text{V}$		2.49	2.69	V	1, 2, 3		
Z_{RD}	Reverse Dynamic Impedance		See ⁽³⁾		0.6	Ω	1
			See ⁽³⁾		1.0	Ω	2, 3
V_{Stab}	Temperature Stability	$V_Z = \text{Adjusted to } 2.490\text{V}$			18	mV	2, 3

- (1) Pre and post irradiation limits are identical to those listed under DC electrical characteristics. These parts may be dose rate sensitive in a space environment and may demonstrate enhanced low dose rate effect. Radiation end point limits for the noted parameters are specified only for the conditions as specified in Mil-Std-883, Method 1019.
- (2) Low dose rate testing has been performed on a wafer-by-wafer basis, per test method 1019 condition D of MIL-STD-883, with no enhanced low dose rate sensitivity (ELDRS) effect.
- (3) Parameter tested go-no-go only.

LM136A-2.5QML Electrical Characteristics DC Drift Parameters⁽¹⁾⁽²⁾

Delta calculations are performed on QMLV devices at Group B, Subgroup 5 only.

Parameter		Test Conditions	Notes	Min	Max	Unit	Sub-groups
V_Z	Zener Voltage	$V_{Adj} = \text{Open}$		-10	+10	mV	1
		$V_{Adj} = 0.7\text{V}$		-10	+10	mV	1
		$V_{Adj} = 1.9\text{V}$		-10	+10	mV	1

- (1) Pre and post irradiation limits are identical to those listed under DC electrical characteristics. These parts may be dose rate sensitive in a space environment and may demonstrate enhanced low dose rate effect. Radiation end point limits for the noted parameters are specified only for the conditions as specified in Mil-Std-883, Method 1019.
- (2) Low dose rate testing has been performed on a wafer-by-wafer basis, per test method 1019 condition D of MIL-STD-883, with no enhanced low dose rate sensitivity (ELDRS) effect.

Typical Performance Characteristics

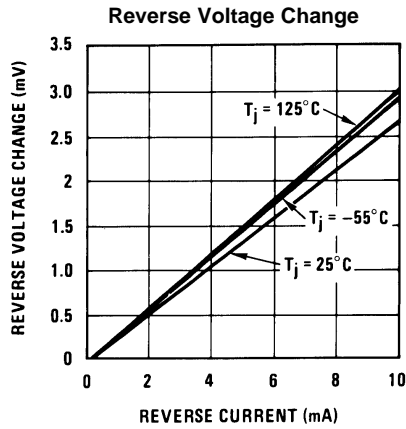


Figure 5.

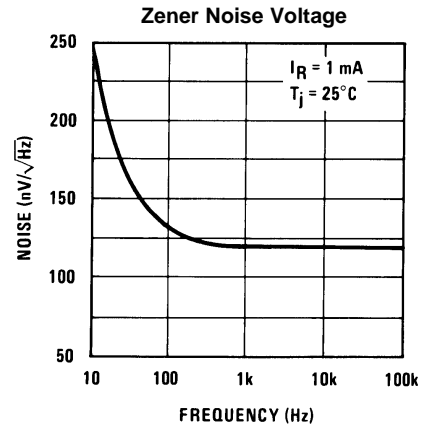


Figure 6.

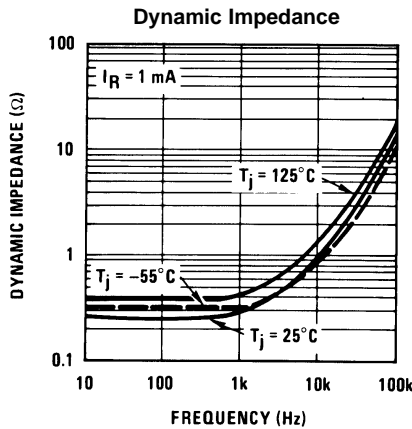


Figure 7.

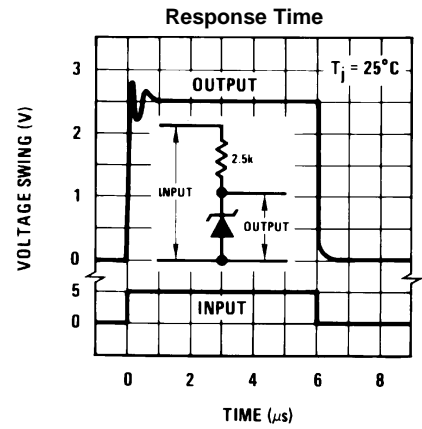


Figure 8.

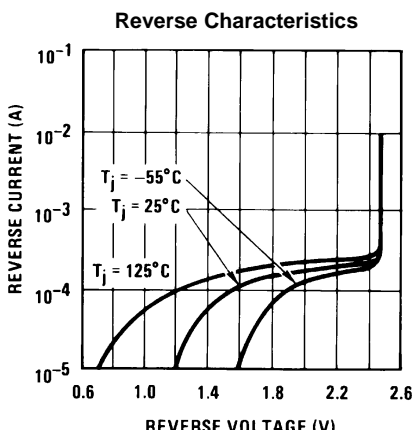


Figure 9.

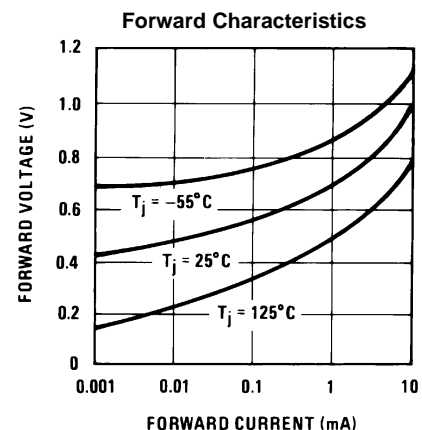


Figure 10.

Typical Performance Characteristics (continued)

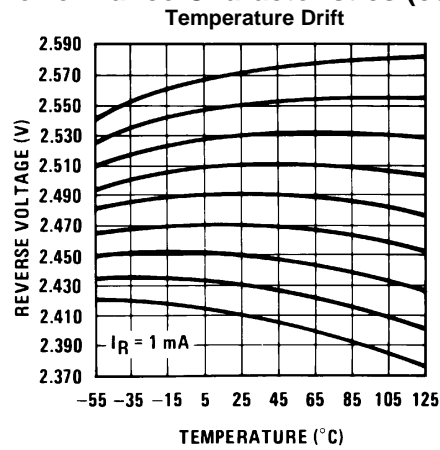


Figure 11.

APPLICATION HINTS

The LM136 voltage reference is much easier to use than ordinary zener diodes. Its low impedance and wide operating current range simplify biasing in almost any circuit. Further, either the breakdown voltage or the temperature coefficient can be adjusted to optimize circuit performance.

Figure 12 shows an LM136 with a 10k potentiometer for adjusting the reverse breakdown voltage. With the addition of R1 the breakdown voltage can be adjusted without affecting the temperature coefficient of the device. The adjustment range is usually sufficient to adjust for both the initial device tolerance and inaccuracies in buffer circuitry.

If minimum temperature coefficient is desired, two diodes can be added in series with the adjustment potentiometer as shown in Figure 13. When the device is adjusted to 2.490V the temperature coefficient is minimized. Almost any silicon signal diode can be used for this purpose such as a 1N914, 1N4148 or a 1N457. For proper temperature compensation the diodes should be in the same thermal environment as the LM136. It is usually sufficient to mount the diodes near the LM136 on the printed circuit board. The absolute resistance of R1 is not critical and any value from 2k to 20k will work.

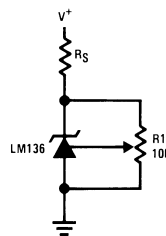


Figure 12. LM136 With Pot for Adjustment of Breakdown Voltage
(Trim Range = ± 120 mV typical)

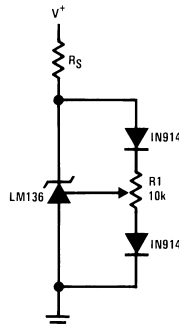
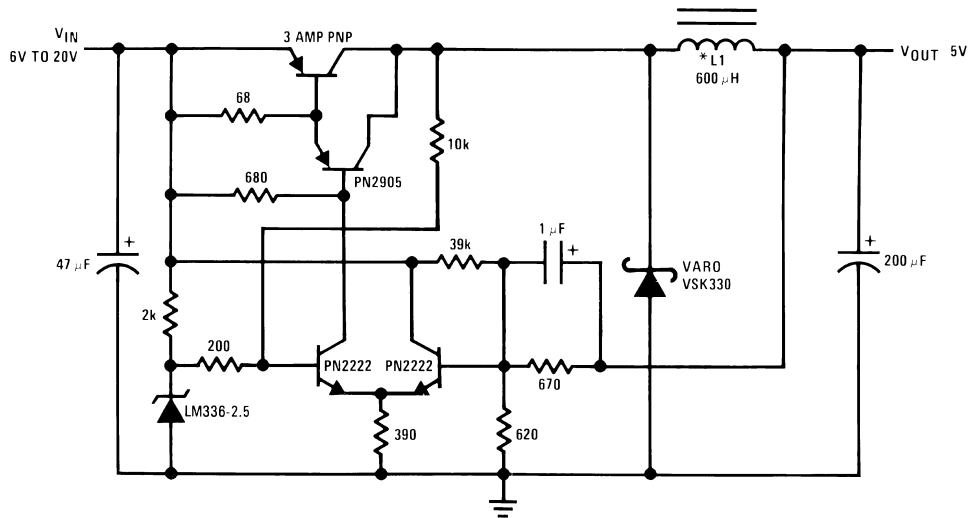
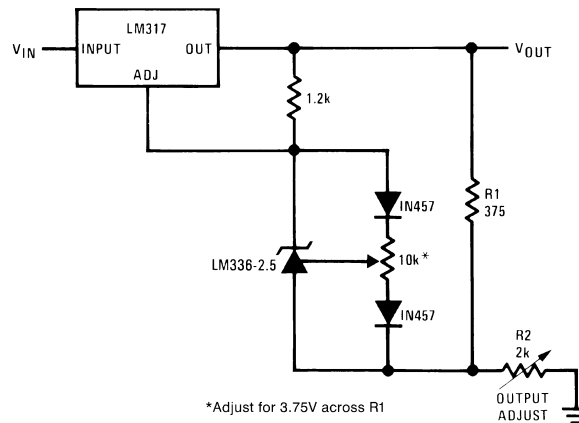


Figure 13. Temperature Coefficient Adjustment
(Trim Range = ± 70 mV typical)



*L1 60 turns #16 wire on Arnold Core A-254168-2
 †Efficiency ≈ 80%

Figure 14. Low Cost 2 Amp Switching Regulator†



*Adjust for 3.75V across R1

Figure 15. Precision Power Regulator with Low Temperature Coefficient

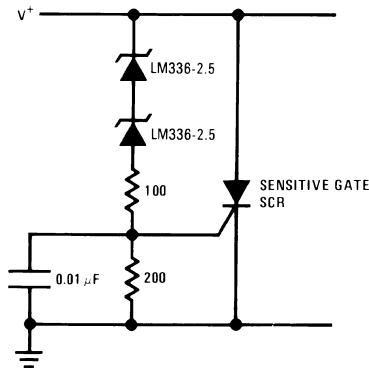
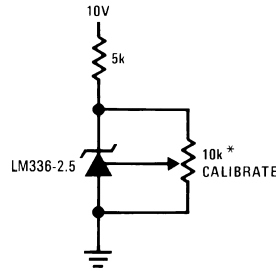


Figure 16. 5V Crowbar



*Does not affect temperature coefficient

Figure 17. Trimmed 2.5V Reference with Temperature Coefficient Independent of Breakdown Voltage

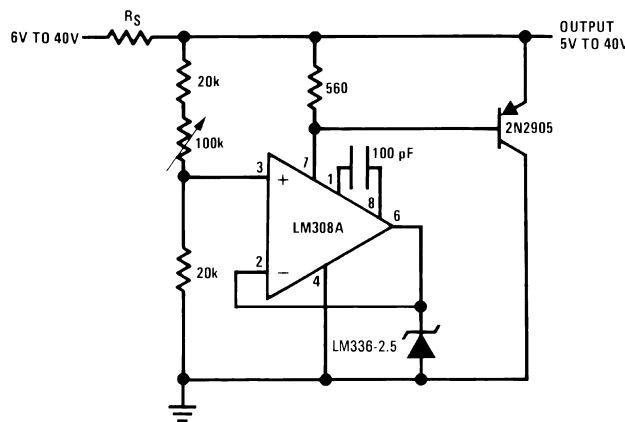


Figure 18. Adjustable Shunt Regulator

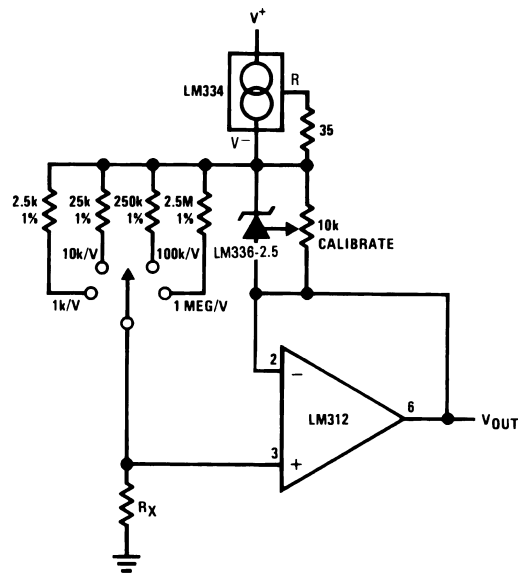


Figure 19. Linear Ohmmeter

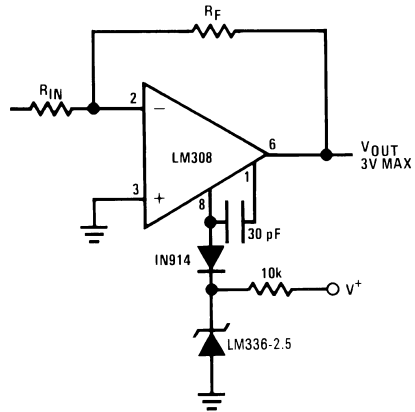


Figure 20. Op Amp with Output Clamped

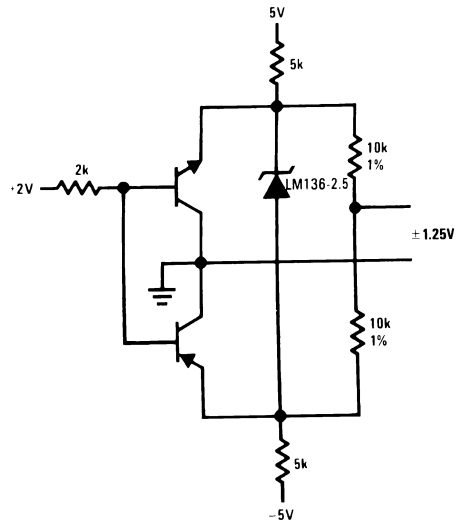


Figure 21. Bipolar Output Reference

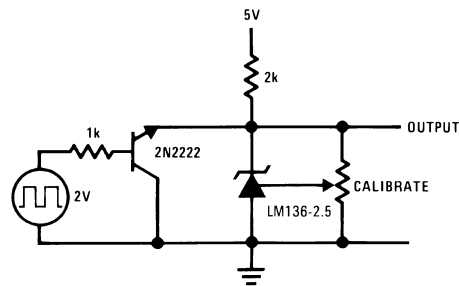


Figure 22. 2.5V Square Wave Calibrator

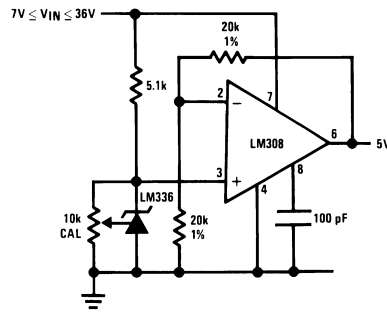


Figure 23. 5V Buffered Reference

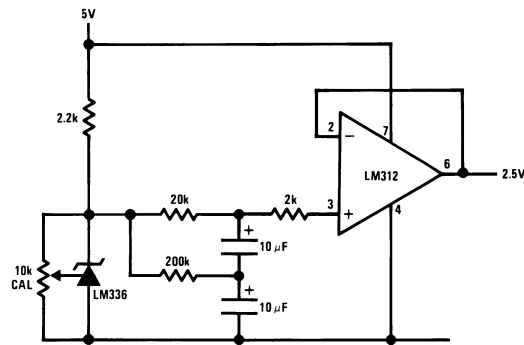


Figure 24. Low Noise Buffered Reference

REVISION HISTORY

Date Released	Revision	Section	Changes
07/06/07	A	New Release, Corporate format	2 MDS datasheets converted into one corporate datasheet format. MNLM136–2.5–X Rev 0A0 and MNLM136A-2.5–X-RH. The ELDRS Part has also been added. Rev. 0E0 will be archived.
10/16/2010	B	Data Sheet Title, General Description, Order Information, Electrical Characteristics, Application Hints	Update with current device information and format. Removed all references to the LM136-2.5 Non "A" package NSID no longer offered. Added Die NSID's to data sheet. Revision A will be Archived.

Changes from Revision D (April 2013) to Revision E
Page

- Changed layout of National Data Sheet to TI format [12](#)

PACKAGING INFORMATION

Orderable part number	Status (1)	Material type (2)	Package Pins	Package qty Carrier	RoHS (3)	Lead finish/ Ball material (4)	MSL rating/ Peak reflow (5)	Op temp (°C)	Part marking (6)
5962R0050101V9A	Active	Production	DIESALE (Y) 0	40 NOT REQUIRED	Yes	Call TI	Level-1-NA-UNLIM	-55 to 125	
5962R0050101VXA	Active	Production	TO (NDV) 3	20 JEDEC TRAY (5+1)	Yes	Call TI	Level-1-NA-UNLIM	-55 to 125	R0050101VXA Q
5962R0050102V9A	Active	Production	DIESALE (Y) 0	40 NOT REQUIRED	Yes	Call TI	Level-1-NA-UNLIM	-55 to 125	
5962R0050102VXA	Active	Production	TO (NDV) 3	20 JEDEC TRAY (5+1)	Yes	Call TI	Level-1-NA-UNLIM	-55 to 125	R0050102VXA Q
LM136-2.5 MD8	Active	Production	DIESALE (Y) 0	400 JEDEC TRAY (5+1)	Yes	Call TI	Level-1-NA-UNLIM	-55 to 125	
LM136-2.5 MDE	Active	Production	DIESALE (Y) 0	40 NOT REQUIRED	Yes	Call TI	Level-1-NA-UNLIM	-55 to 125	
LM136-2.5 MDR	Active	Production	DIESALE (Y) 0	40 NOT REQUIRED	Yes	Call TI	Level-1-NA-UNLIM	-55 to 125	
LM136AH-2.5/883	Active	Production	TO (NDV) 3	20 TRAY NON-STD	Yes	Call TI	Level-1-NA-UNLIM	-55 to 125	LM136A-2.5 Q
LM136AH-2.5RLQV	Active	Production	TO (NDV) 3	20 JEDEC TRAY (5+1)	No	Call TI	Level-1-NA-UNLIM	-55 to 125	R0050102VXA Q
LM136AH-2.5RQV	Active	Production	TO (NDV) 3	20 JEDEC TRAY (5+1)	No	Call TI	Level-1-NA-UNLIM	-55 to 125	R0050101VXA Q

(1) **Status:** For more details on status, see our [product life cycle](#).

(2) **Material type:** When designated, preproduction parts are prototypes/experimental devices, and are not yet approved or released for full production. Testing and final process, including without limitation quality assurance, reliability performance testing, and/or process qualification, may not yet be complete, and this item is subject to further changes or possible discontinuation. If available for ordering, purchases will be subject to an additional waiver at checkout, and are intended for early internal evaluation purposes only. These items are sold without warranties of any kind.

(3) **RoHS values:** Yes, No, RoHS Exempt. See the [TI RoHS Statement](#) for additional information and value definition.

(4) **Lead finish/Ball material:** Parts may have multiple material finish options. Finish options are separated by a vertical ruled line. Lead finish/Ball material values may wrap to two lines if the finish value exceeds the maximum column width.

(5) **MSL rating/Peak reflow:** The moisture sensitivity level ratings and peak solder (reflow) temperatures. In the event that a part has multiple moisture sensitivity ratings, only the lowest level per JEDEC standards is shown. Refer to the shipping label for the actual reflow temperature that will be used to mount the part to the printed circuit board.

(6) **Part marking:** There may be an additional marking, which relates to the logo, the lot trace code information, or the environmental category of the part.

Multiple part markings will be inside parentheses. Only one part marking contained in parentheses and separated by a "~" will appear on a part. If a line is indented then it is a continuation of the previous line and the two combined represent the entire part marking for that device.

Important Information and Disclaimer: The information provided on this page represents TI's knowledge and belief as of the date that it is provided. TI bases its knowledge and belief on information provided by third parties, and makes no representation or warranty as to the accuracy of such information. Efforts are underway to better integrate information from third parties. TI has taken and continues to take reasonable steps to provide representative and accurate information but may not have conducted destructive testing or chemical analysis on incoming materials and chemicals. TI and TI suppliers consider certain information to be proprietary, and thus CAS numbers and other limited information may not be available for release.

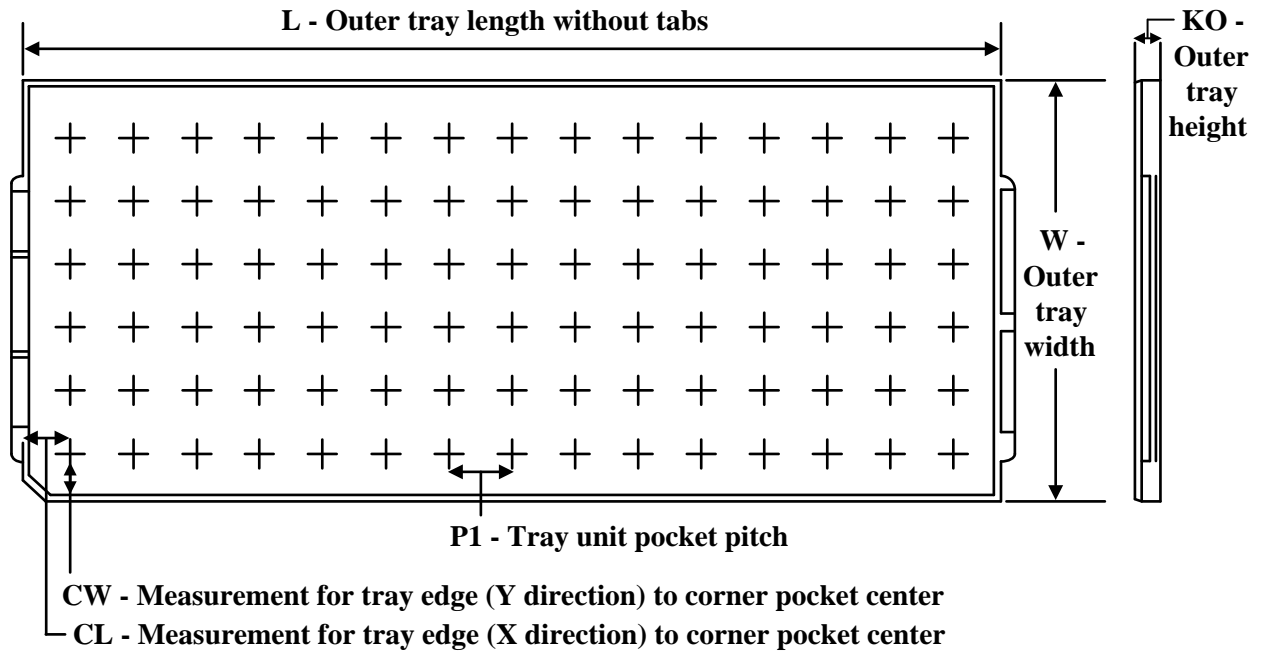
In no event shall TI's liability arising out of such information exceed the total purchase price of the TI part(s) at issue in this document sold by TI to Customer on an annual basis.

OTHER QUALIFIED VERSIONS OF LM136A-2.5QML, LM136A-2.5QML-SP :

- Military : [LM136A-2.5QML](#)
- Space : [LM136A-2.5QML-SP](#)

NOTE: Qualified Version Definitions:

- Military - QML certified for Military and Defense Applications
- Space - Radiation tolerant, ceramic packaging and qualified for use in Space-based application

TRAY


Chamfer on Tray corner indicates Pin 1 orientation of packed units.

*All dimensions are nominal

Device	Package Name	Package Type	Pins	SPQ	Unit array matrix	Max temperature (°C)	L (mm)	W (mm)	K0 (µm)	P1 (mm)	CL (mm)	CW (mm)
5962R0050101VXA	NDV	TO-CAN	3	20	2 X 10	150	126.49	61.98	10922	11.43	11.81	19.2
5962R0050102VXA	NDV	TO-CAN	3	20	2 X 10	150	126.49	61.98	10922	11.43	11.81	19.2
LM136AH-2.5/883	NDV	TO-CAN	3	20	2 X 10	150	126.49	61.98	10922	11.43	11.81	19.2
LM136AH-2.5RLQV	NDV	TO-CAN	3	20	2 X 10	150	126.49	61.98	10922	11.43	11.81	19.2
LM136AH-2.5RQV	NDV	TO-CAN	3	20	2 X 10	150	126.49	61.98	10922	11.43	11.81	19.2

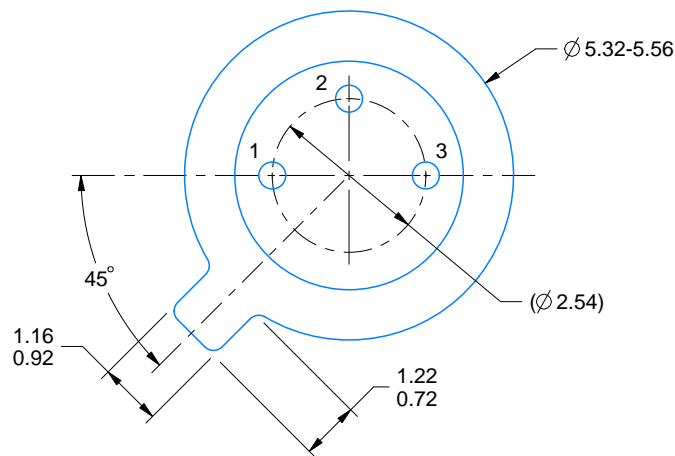
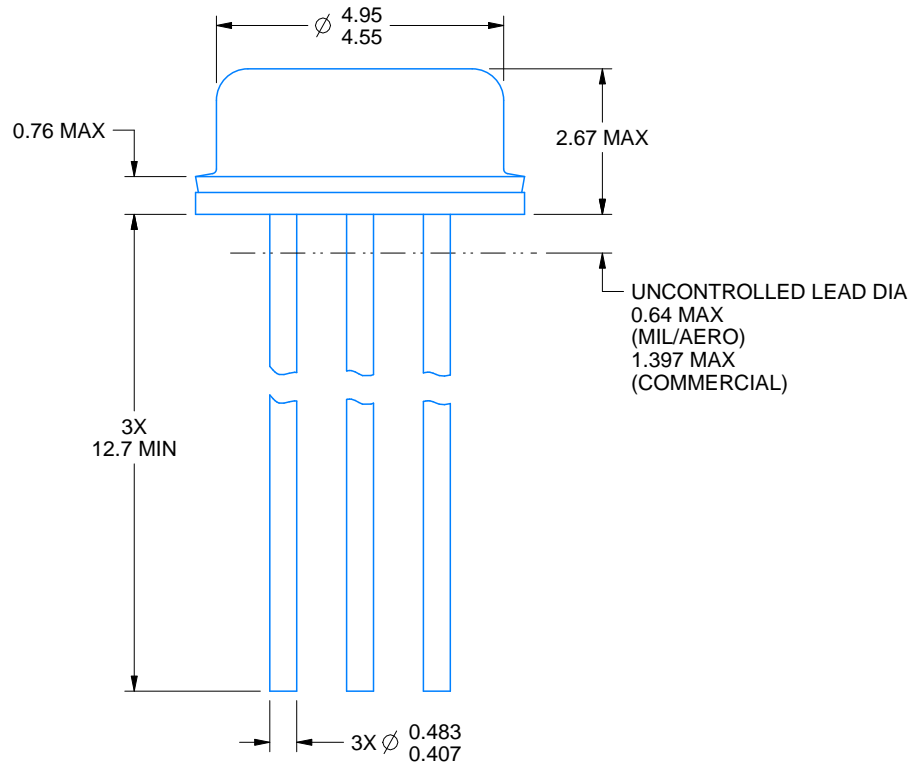
NDV0003H



PACKAGE OUTLINE

TO-CAN - 2.67 mm max height

TRANSISTOR OUTLINE



4219876/B 09/2024

NOTES:

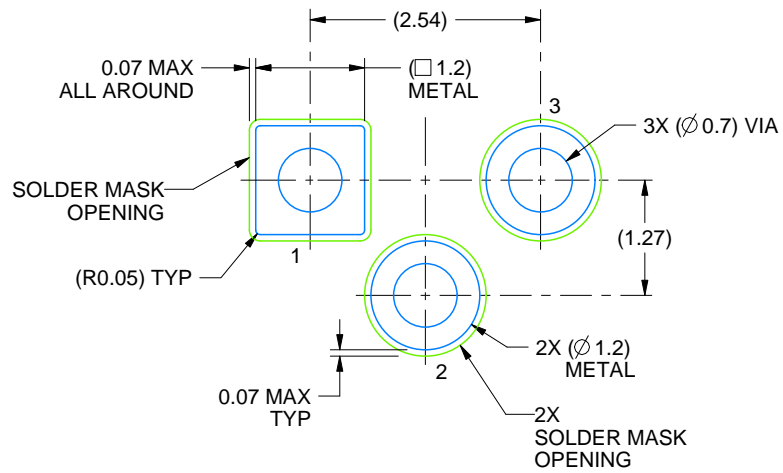
1. All linear dimensions are in millimeters. Any dimensions in parenthesis are for reference only. Dimensioning and tolerancing per ASME Y14.5M.
2. This drawing is subject to change without notice.
3. Reference JEDEC registration TO-46.

EXAMPLE BOARD LAYOUT

NDV0003H

TO-CAN - 2.67 mm max height

TRANSISTOR OUTLINE



LAND PATTERN EXAMPLE
NON-SOLDER MASK DEFINED
SCALE:12X

4219876/B 09/2024

IMPORTANT NOTICE AND DISCLAIMER

TI PROVIDES TECHNICAL AND RELIABILITY DATA (INCLUDING DATASHEETS), DESIGN RESOURCES (INCLUDING REFERENCE DESIGNS), APPLICATION OR OTHER DESIGN ADVICE, WEB TOOLS, SAFETY INFORMATION, AND OTHER RESOURCES "AS IS" AND WITH ALL FAULTS, AND DISCLAIMS ALL WARRANTIES, EXPRESS AND IMPLIED, INCLUDING WITHOUT LIMITATION ANY IMPLIED WARRANTIES OF MERCHANTABILITY, FITNESS FOR A PARTICULAR PURPOSE OR NON-INFRINGEMENT OF THIRD PARTY INTELLECTUAL PROPERTY RIGHTS.

These resources are intended for skilled developers designing with TI products. You are solely responsible for (1) selecting the appropriate TI products for your application, (2) designing, validating and testing your application, and (3) ensuring your application meets applicable standards, and any other safety, security, regulatory or other requirements.

These resources are subject to change without notice. TI grants you permission to use these resources only for development of an application that uses the TI products described in the resource. Other reproduction and display of these resources is prohibited. No license is granted to any other TI intellectual property right or to any third party intellectual property right. TI disclaims responsibility for, and you fully indemnify TI and its representatives against any claims, damages, costs, losses, and liabilities arising out of your use of these resources.

TI's products are provided subject to [TI's Terms of Sale](#), [TI's General Quality Guidelines](#), or other applicable terms available either on ti.com or provided in conjunction with such TI products. TI's provision of these resources does not expand or otherwise alter TI's applicable warranties or warranty disclaimers for TI products. Unless TI explicitly designates a product as custom or customer-specified, TI products are standard, catalog, general purpose devices.

TI objects to and rejects any additional or different terms you may propose.

Copyright © 2026, Texas Instruments Incorporated

Last updated 10/2025