

OPAx188-Q1 Precision, Low-Noise, Rail-to-Rail Output, 36-V, Zero-Drift, Automotive-Grade Operational Amplifier

1 Features

- Qualified for Automotive Applications
- AEC-Q100 Qualified With the Following Results:
 - OPA188-Q1 Device Temperature Grade 1: -40°C to $+125^{\circ}\text{C}$
 - OPA2188-Q1 Device Temperature Grade 2: -40°C to $+105^{\circ}\text{C}$
 - Device HBM ESD Classification Level 1C
 - Device CDM ESD Classification Level C5
- Wide Supply Range: $\pm 2\text{ V}$ to $\pm 18\text{ V}$
- Low Offset Voltage: $25\ \mu\text{V}$ (Maximum)
- Zero-Drift: $0.03\ \mu\text{V}/^{\circ}\text{C}$
- Low Noise: $8.8\ \text{nV}/\sqrt{\text{Hz}}$
 - 0.1-Hz to 10-Hz Noise: $0.25\ \mu\text{V}_{\text{PP}}$
- Excellent DC Precision:
 - PSRR: 142 dB
 - CMRR: 146 dB
 - Open-Loop Gain: 136 dB
- Gain Bandwidth: 2 MHz
- Quiescent Current: $510\ \mu\text{A}$ (Maximum)
- Wide Supply Range: $\pm 2\text{ V}$ to $\pm 18\text{ V}$
- Rail-to-Rail Output
- Input Includes Negative Rail
- RFI Filtered Inputs

2 Applications

- HEV/EV Powertrain
 - DC-DC Converters
 - Traction Inverters
- Precision Safety and Sensing (Braking, Position, and Passenger Occupancy Detection)
- Precision Supervisory and Monitoring

3 Description

The OPAx188-Q1 operational amplifier family uses TI's proprietary zero drift techniques to provide low offset voltage ($25\text{-}\mu\text{V}$ maximum) and near **zero-drift** over time and temperature. This miniature, high-precision, low-quiescent current amplifier family offers high input impedance and rail-to-rail output swing within 15 mV of the rails. The input common-mode range includes the negative rail. Either single or dual supplies can be used in the range from 4 V to 36 V ($\pm 2\text{ V}$ to $\pm 18\text{ V}$).

The OPA188-Q1 and OPA2188-Q1 are both offered in VSSOP-8. The single-channel version (OPA188-Q1) is fully specified from -40°C to $+125^{\circ}\text{C}$, and the dual-channel version (OPA2188-Q1) is fully specified from -40°C to $+105^{\circ}\text{C}$.

Device Information⁽¹⁾

PART NUMBER	PACKAGE	BODY SIZE (NOM)
OPA188-Q1	VSSOP (8)	3.00 mm x 3.00 mm
OPA2188-Q1		

(1) For all available packages, see the package option addendum at the end of the data sheet.

Offset Voltage Production Distribution

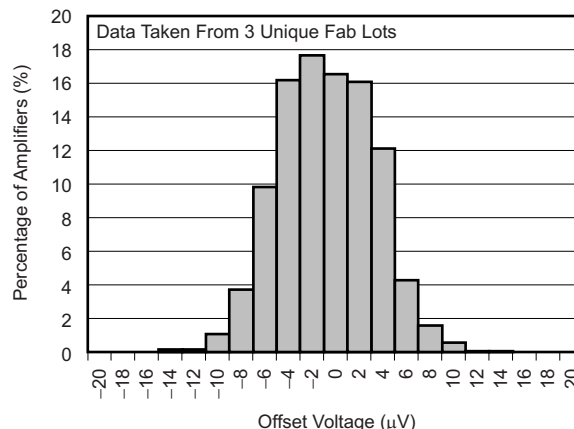


Table of Contents

1 Features	1	8.3 Feature Description.....	19
2 Applications	1	8.4 Device Functional Modes.....	22
3 Description	1	9 Application and Implementation	23
4 Revision History	2	9.1 Application Information.....	23
5 Device Comparison Table	3	9.2 Typical Applications	23
5.1 Portfolio Comparison.....	3	10 Power Supply Recommendations	27
6 Pin Configuration and Functions	4	11 Layout	28
7 Specifications	6	11.1 Layout Guidelines	28
7.1 Absolute Maximum Ratings	6	11.2 Layout Example	28
7.2 ESD Ratings.....	6	12 Device and Documentation Support	29
7.3 Recommended Operating Conditions	6	12.1 Device Support.....	29
7.4 Thermal Information	6	12.2 Documentation Support	29
7.5 Electrical Characteristics: High-Voltage Operation..	7	12.3 Related Links	29
7.6 Electrical Characteristics: Low-Voltage Operation...	9	12.4 Receiving Notification of Documentation Updates	29
7.7 Typical Characteristics: Table of Graphs.....	11	12.5 Community Resources.....	29
7.8 Typical Characteristics.....	12	12.6 Trademarks	30
8 Detailed Description	18	12.7 Electrostatic Discharge Caution.....	30
8.1 Overview	18	12.8 Glossary	30
8.2 Functional Block Diagram	18	13 Mechanical, Packaging, and Orderable Information	30

4 Revision History

DATE	REVISION	NOTES
April 2017	*	Initial release

5 Device Comparison Table

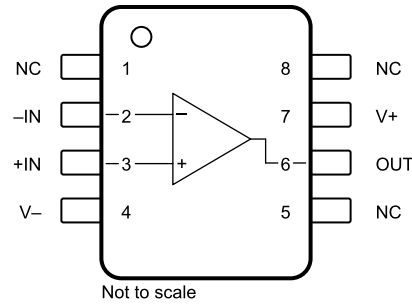
5.1 Portfolio Comparison

Zero-Drift Amplifier Portfolio

VERSION	PRODUCT	OFFSET VOLTAGE (μV , maximum)	OFFSET VOLTAGE DRIFT ($\mu\text{V}/^\circ\text{C}$, maximum)	BANDWIDTH (MHz)	INPUT VOLTAGE NOISE (μV_{PP} , $f = 0.1 \text{ Hz to } 10 \text{ Hz}$)
Single	OPA188-Q1 (4 V to 36 V)	± 25	± 0.085	2	0.25
	OPA333 (5 V)	± 10	± 0.05	0.35	1.1
	OPA378 (5 V)	± 50	± 0.25	0.9	0.4
	OPA735 (12 V)	± 5	± 0.05	1.6	2.5
Dual	OPA2188-Q1 (4 V to 36 V)	± 25	± 0.085	2	0.25
	OPA2333 (5 V)	± 10	± 0.05	0.35	1.1
	OPA2378 (5 V)	± 50	± 0.25	0.9	0.4
	OPA2735 (12 V)	± 5	± 0.05	1.6	2.5
Quad	OPA4330 (5 V)	± 50	± 0.25	0.35	1.1

6 Pin Configuration and Functions

OPA188-Q1 DGK Package
8-Pin VSSOP
Top View

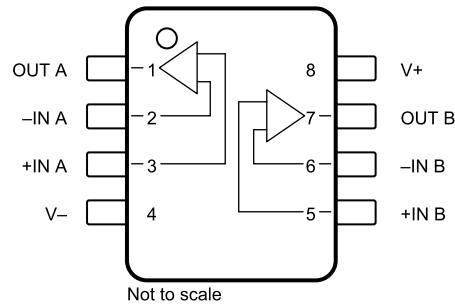


(1) NC = no connection.

Pin Functions

PIN		I/O	DESCRIPTION
NAME	NO.		
+IN	3	I	Noninverting input
-IN	2	I	Inverting input
NC	1, 5, 8	—	No internal connection (can be left floating)
OUT	6	O	Output
V+	7	—	Positive (highest) power supply
V-	4	—	Negative (lowest) power supply

**OPA2188-Q1 DGK Package
8-Pin VSSOP
Top View**



Pin Functions

PIN		I/O	DESCRIPTION
NAME	NO.		
+IN A	3	I	Noninverting input, channel A
+IN B	5	I	Noninverting input, channel B
-IN A	2	I	Inverting input, channel A
-IN B	6	I	Inverting input, channel B
OUT A	1	O	Output, channel A
OUT B	7	O	Output, channel B
V+	8	—	Positive (highest) power supply
V-	4	—	Negative (lowest) power supply

7 Specifications

7.1 Absolute Maximum Ratings

 over operating free-air temperature range (unless otherwise noted)⁽¹⁾

			MIN	MAX	UNIT
Voltage	Supply	Split-supply	±20		V
		Single-supply	40		
	Signal input pins ⁽²⁾		(V ₋) - 0.5	(V ₊) + 0.5	
		Differential	±0.7		
Current	Signal input pins ⁽²⁾	±10		mA	
	Output short-circuit ⁽³⁾	Continuous			
Temperature	OPA188-Q1, T _J		150	°C	
	OPA2188-Q1, T _J		125	°C	
	Storage, T _{stg}		-65	150	°C

- (1) Stresses beyond those listed under *Absolute Maximum Ratings* may cause permanent damage to the device. These are stress ratings only, which do not imply functional operation of the device at these or any other conditions beyond those indicated under *Recommended Operating Conditions*. Exposure to absolute-maximum-rated conditions for extended periods may affect device reliability.
- (2) Input terminals are diode-clamped to the power-supply rails. Input signals that can swing more than 0.5 V beyond the supply rails should be current-limited to 10 mA or less.
- (3) Short-circuit to ground, V₋ or V₊.

7.2 ESD Ratings

			VALUE	UNIT
V _(ESD)	Electrostatic discharge	Human-body model (HBM), per AEC Q100-002 ⁽¹⁾	±1500	V
		Charged-device model (CDM), per AEC Q100-011	±750	

- (1) AEC Q100-002 indicates that HBM stressing shall be in accordance with the ANSI/ESDA/JEDEC JS-001 specification.

7.3 Recommended Operating Conditions

 over operating free-air temperature range (unless otherwise noted) R_L = 10 kΩ connected to V_S / 2⁽¹⁾, and V_{CM} = V_{OUT} = V_S / 2⁽¹⁾

			MIN	NOM	MAX	UNIT
V _S	Operating voltage range	Split-supply	±2		±18	V
		Single-supply	4		36	
T _A	OPA188-Q1 Temperature Grade 1: Specified temperature range		-40		125	°C
	OPA2188-Q1 Temperature Grade 2: Specified temperature range		-40		105	

- (1) V_S / 2 = midsupply.

7.4 Thermal Information

THERMAL METRIC ⁽¹⁾		OPA188-Q1	OPA2188-Q1	UNIT
		DGK (VSSOP)	DGK (VSSOP)	
		8 PINS	8 PINS	
R _{θJA}	Junction-to-ambient thermal resistance	171.7	163.2	°C/W
R _{θJC(top)}	Junction-to-case (top) thermal resistance	62.7	57.4	°C/W
R _{θJB}	Junction-to-board thermal resistance	93.0	83.4	°C/W
Ψ _{JT}	Junction-to-top characterization parameter	9.0	6.6	°C/W
Ψ _{JB}	Junction-to-board characterization parameter	91.4	82.0	°C/W
R _{θJC(bot)}	Junction-to-case (bottom) thermal resistance	N/A	N/A	°C/W

- (1) For more information about traditional and new thermal metrics, see the [Semiconductor and IC Package Thermal Metrics](#) application report.

7.5 Electrical Characteristics: High-Voltage Operation

at $T_A = 25^\circ\text{C}$, $V_S = \pm 4\text{ V}$ to $\pm 18\text{ V}$ ($V_S = 8\text{ V}$ to 36 V), $R_L = 10\text{ k}\Omega$ connected to $V_S / 2$ ⁽¹⁾, and $V_{CM} = V_{OUT} = V_S / 2$ ⁽¹⁾ (unless otherwise noted)

PARAMETER	CONDITIONS	MIN	TYP	MAX	UNIT
OFFSET VOLTAGE					
V_{OS}	Input offset voltage		± 6	± 25	μV
dV_{IO}/dT	Input offset voltage drift	OPA188-Q1 $T_A = -40^\circ\text{C}$ to 125°C	± 0.03	± 0.085	$\mu\text{V}/^\circ\text{C}$
		OPA2188-Q1 $T_A = -40^\circ\text{C}$ to 105°C	± 0.03	± 0.085	$\mu\text{V}/^\circ\text{C}$
PSRR	Power-supply rejection ratio	OPA188-Q1 $V_S = 4\text{ V}$ to 36 V $T_A = -40^\circ\text{C}$ to 125°C	± 0.075	± 0.3	$\mu\text{V}/\text{V}$
		OPA2188-Q1 $V_S = 4\text{ V}$ to 36 V $T_A = -40^\circ\text{C}$ to 105°C	± 0.075	± 0.3	$\mu\text{V}/\text{V}$
	Long-term stability ⁽²⁾		4		μV
INPUT BIAS CURRENT					
I_B	Input bias current	$V_{CM} = V_S / 2$	± 160	± 1400	pA
		OPA188-Q1 $T_A = -40^\circ\text{C}$ to 125°C		± 18	nA
		OPA2188-Q1 $T_A = -40^\circ\text{C}$ to 105°C		± 18	nA
I_{OS}	Input offset current	$V_{CM} = V_S / 2$	± 320	± 2800	pA
		OPA188-Q1 $T_A = -40^\circ\text{C}$ to 125°C		± 6	nA
		OPA2188-Q1 $T_A = -40^\circ\text{C}$ to 105°C		± 6	nA
NOISE					
e_n	Input voltage noise	$f = 0.1\text{ Hz}$ to 10 Hz	250		nV _{PP}
		$f = 0.1\text{ Hz}$ to 10 Hz	40		nV _{rms}
	Input voltage noise density	$f = 1\text{ kHz}$	8.8		nV/ $\sqrt{\text{Hz}}$
i_n	Input current noise density	$f = 1\text{ kHz}$	7		fA/ $\sqrt{\text{Hz}}$
INPUT VOLTAGE RANGE					
V_{CM}	Common-mode voltage range	OPA188-Q1 $T_A = -40^\circ\text{C}$ to 125°C	V^-	$(V^+) - 1.5$	V
		OPA2188-Q1 $T_A = -40^\circ\text{C}$ to 105°C	V^-	$(V^+) - 1.5$	V
CMRR	Common-mode rejection ratio	$(V^-) < V_{CM} < (V^+) - 1.5\text{ V}$	120	134	dB
		$(V^-) + 0.5\text{ V} < V_{CM} < (V^+) - 1.5\text{ V}$ $V_S = \pm 18\text{ V}$	130	146	dB
		OPA188-Q1 $(V^-) + 0.5\text{ V} < V_{CM} < (V^+) - 1.5\text{ V}$ $V_S = \pm 18\text{ V}$, $T_A = -40^\circ\text{C}$ to 125°C	120	126	dB
		OPA2188-Q1 $(V^-) + 0.5\text{ V} < V_{CM} < (V^+) - 1.5\text{ V}$ $V_S = \pm 18\text{ V}$, $T_A = -40^\circ\text{C}$ to 105°C	120	126	dB
INPUT IMPEDANCE					
Z_{ID}	Differential		100 6		M Ω pF
Z_{IC}	Common-mode		6 9.5		$10^{12}\ \Omega$ pF
OPEN-LOOP GAIN					
A_{OL}	Open-loop voltage gain	$(V^-) + 0.5\text{ V} < V_O < (V^+) - 0.5\text{ V}$	130	136	dB
		OPA188-Q1 $(V^-) + 0.5\text{ V} < V_O < (V^+) - 0.5\text{ V}$ $T_A = -40^\circ\text{C}$ to 125°C	120	126	dB
		OPA2188-Q1 $(V^-) + 0.5\text{ V} < V_O < (V^+) - 0.5\text{ V}$ $T_A = -40^\circ\text{C}$ to 105°C	120	126	dB
FREQUENCY RESPONSE					

(1) $V_S / 2 = \text{midsupply}$.

(2) 1000-hour life test at 125°C demonstrated randomly distributed variation in the range of measurement limits at approximately $4\ \mu\text{V}$.

Electrical Characteristics: High-Voltage Operation (continued)

 at $T_A = 25^\circ\text{C}$, $V_S = \pm 4\text{ V}$ to $\pm 18\text{ V}$ ($V_S = 8\text{ V}$ to 36 V), $R_L = 10\text{ k}\Omega$ connected to $V_S / 2$ ⁽¹⁾, and $V_{CM} = V_{OUT} = V_S / 2$ ⁽¹⁾
 (unless otherwise noted)

PARAMETER		CONDITIONS	MIN	TYP	MAX	UNIT
GBW	Gain-bandwidth product			2		MHz
SR	Slew rate	$G = 1$		0.8		V/ μs
t_s	Settling time	0.1%	$V_S = \pm 18\text{ V}$, $G = 1$, 10-V step	20		μs
		0.01%	$V_S = \pm 18\text{ V}$, $G = 1$, 10-V step	27		μs
t_{OR}	Overload recovery time	$V_{IN} \times G = V_S$		1		μs
THD+N	Total harmonic distortion + noise	1 kHz, $G = 1$, $V_{OUT} = 1\text{ V}_{RMS}$		0.0001%		
OUTPUT						
	Voltage output swing from rail	No load		6	15	mV
		$R_L = 10\text{ k}\Omega$		220	250	mV
		OPA188-Q1 $R_L = 10\text{ k}\Omega$, $T_A = -40^\circ\text{C}$ to 125°C		310	350	mV
		OPA2188-Q1 $R_L = 10\text{ k}\Omega$, $T_A = -40^\circ\text{C}$ to 105°C		310	350	mV
I_{SC}	Short-circuit current	Sinking		-18		mA
		Sourcing		16		mA
R_O	Open-loop output resistance	$f = 1\text{ MHz}$, $I_O = 0\text{ mA}$		120		Ω
C_{LOAD}	Capacitive load drive			1		nF
POWER SUPPLY						
I_Q	Quiescent current (per amplifier)	$V_S = \pm 4\text{ V}$ to $V_S = \pm 18\text{ V}$		450	510	μA
		OPA188-Q1 $I_O = 0\text{ mA}$ $T_A = -40^\circ\text{C}$ to 125°C			600	μA
		OPA2188-Q1 $I_O = 0\text{ mA}$ $T_A = -40^\circ\text{C}$ to 105°C			600	μA

7.6 Electrical Characteristics: Low-Voltage Operation

at $T_A = 25^\circ\text{C}$, $V_S = \pm 2\text{ V}$ to $\pm 4\text{ V}$ ($V_S = 4\text{ V}$ to $< 8\text{ V}$), $R_L = 10\text{ k}\Omega$ connected to $V_S / 2^{(1)}$, and $V_{CM} = V_{OUT} = V_S / 2^{(1)}$ (unless otherwise noted)

PARAMETER	CONDITIONS	MIN	TYP	MAX	UNIT
OFFSET VOLTAGE					
V_{OS}	Input offset voltage		± 6	± 25	μV
dV_{IO}/dT	Input offset voltage drift	OPA188-Q1 $T_A = -40^\circ\text{C}$ to 125°C	± 0.03	± 0.085	$\mu\text{V}/^\circ\text{C}$
		OPA2188-Q1 $T_A = -40^\circ\text{C}$ to 105°C	± 0.03	± 0.085	$\mu\text{V}/^\circ\text{C}$
PSRR	Power-supply rejection ratio	OPA188-Q1 $V_S = 4\text{ V}$ to 36 V $T_A = -40^\circ\text{C}$ to 125°C	0.075	0.3	$\mu\text{V}/\text{V}$
		OPA2188-Q1 $V_S = 4\text{ V}$ to 36 V $T_A = -40^\circ\text{C}$ to 105°C	0.075	0.3	$\mu\text{V}/\text{V}$
	Long-term stability ⁽²⁾		4		μV
INPUT BIAS CURRENT					
I_B	Input bias current		± 160	± 1400	pA
		OPA188-Q1 $T_A = -40^\circ\text{C}$ to 125°C		± 18	nA
		OPA2188-Q1 $T_A = -40^\circ\text{C}$ to 105°C		± 18	nA
I_{OS}	Input offset current		± 320	± 2800	pA
		OPA188-Q1 $T_A = -40^\circ\text{C}$ to 125°C		± 6	nA
		OPA2188-Q1 $T_A = -40^\circ\text{C}$ to 105°C		± 6	nA
NOISE					
e_n	Input voltage noise	$f = 0.1\text{ Hz}$ to 10 Hz	250		nV_{PP}
		$f = 0.1\text{ Hz}$ to 10 Hz	40		nV_{rms}
	Input voltage noise density	$f = 1\text{ kHz}$	8.8		$\text{nV}/\sqrt{\text{Hz}}$
i_n	Input current noise density	$f = 1\text{ kHz}$	7		$\text{fA}/\sqrt{\text{Hz}}$
INPUT VOLTAGE RANGE					
V_{CM}	Common-mode voltage range	OPA188-Q1 $T_A = -40^\circ\text{C}$ to 125°C	V^-	$(V^+) - 1.5$	V
		OPA2188-Q1 $T_A = -40^\circ\text{C}$ to 105°C	V^-	$(V^+) - 1.5$	V
CMRR	Common-mode rejection ratio	$(V^-) < V_{CM} < (V^+) - 1.5\text{ V}$	106	114	dB
		$(V^-) + 0.5\text{ V} < V_{CM} < (V^+) - 1.5\text{ V}$ $V_S = \pm 2\text{ V}$	114	120	dB
		OPA188-Q1 $(V^-) + 0.5\text{ V} < V_{CM} < (V^+) - 1.5\text{ V}$ $V_S = \pm 2\text{ V}$, $T_A = -40^\circ\text{C}$ to 125°C	110	120	dB
		OPA2188-Q1 $(V^-) + 0.5\text{ V} < V_{CM} < (V^+) - 1.5\text{ V}$ $V_S = \pm 2\text{ V}$, $T_A = -40^\circ\text{C}$ to 105°C	110	120	dB
INPUT IMPEDANCE					
Z_{ID}	Differential		$100 \parallel 6$		$\text{M}\Omega \parallel \text{pF}$
Z_{IC}	Common-mode		$6 \parallel 9.5$		$10^{12}\ \Omega \parallel \text{pF}$
OPEN-LOOP GAIN					

(1) $V_S / 2 = \text{midsupply}$.

(2) 1000-hour life test at 125°C demonstrated randomly distributed variation in the range of measurement limits at approximately $4\ \mu\text{V}$.

Electrical Characteristics: Low-Voltage Operation (continued)

 at $T_A = 25^\circ\text{C}$, $V_S = \pm 2\text{ V}$ to $< \pm 4\text{ V}$ ($V_S = 4\text{ V}$ to $< 8\text{ V}$), $R_L = 10\text{ k}\Omega$ connected to $V_S / 2^{(1)}$, and $V_{CM} = V_{OUT} = V_S / 2^{(1)}$
 (unless otherwise noted)

PARAMETER	CONDITIONS	MIN	TYP	MAX	UNIT
A _{OL} Open-loop voltage gain	(V ⁻) + 0.5 V < V _O < (V ⁺) – 0.5 V R _L = 5 kΩ	110	120		dB
	(V ⁻) + 0.5 V < V _O < (V ⁺) – 0.5 V	120	130		dB
	OPA188-Q1 (V ⁻) + 0.5 V < V _O < (V ⁺) – 0.5 V T _A = –40°C to 125°C	110	120		dB
	OPA2188-Q1 (V ⁻) + 0.5 V < V _O < (V ⁺) – 0.5 V T _A = –40°C to 105°C	110	120		dB
FREQUENCY RESPONSE					
GBW Gain-bandwidth product			2		MHz
SR Slew rate	G = 1		0.8		V/μs
t _{OR} Overload recovery time	V _{IN} × G = V _S		1		μs
THD+N Total harmonic distortion + noise	1 kHz, G = 1, V _{OUT} = 1 V _{RMS}		0.0001%		
OUTPUT					
Voltage output swing from rail	No load		6	15	mV
	R _L = 10 kΩ		220	250	mV
	OPA188-Q1 R _L = 10 kΩ, T _A = –40°C to 125°C		310	350	mV
	OPA2188-Q1 R _L = 10 kΩ, T _A = –40°C to 105°C		310	350	mV
I _{SC} Short-circuit current	Sinking		–18		mA
	Sourcing		16		mA
R _O Open-loop output resistance	f = 1 MHz, I _O = 0 mA		120		Ω
C _{LOAD} Capacitive load drive			1		nF
POWER SUPPLY					
I _Q Quiescent current (per amplifier)	V _S = ±2 V to V _S = ±4 V		425	485	μA
	OPA188-Q1 I _O = 0 mA T _A = –40°C to 125°C			575	μA
	OPA2188-Q1 I _O = 0 mA T _A = –40°C to 105°C			575	μA

7.7 Typical Characteristics: Table of Graphs

7.7.1 Table of Graphs

Table 1. Typical Characteristic Graphs

DESCRIPTION	FIGURE
Offset Voltage Production Distribution	Figure 1
Offset Voltage Drift Distribution	Figure 2
Offset Voltage vs Temperature	Figure 3
Offset Voltage vs Common-Mode Voltage	Figure 4, Figure 5
Offset Voltage vs Power Supply	Figure 6
Open-Loop Gain and Phase vs Frequency	Figure 7
Closed-Loop Gain vs Frequency	Figure 8
I_B and I_{OS} vs Common-Mode Voltage	Figure 9
Input Bias Current vs Temperature	Figure 10
Output Voltage Swing vs Output Current (Maximum Supply)	Figure 11
CMRR and PSRR vs Frequency (Referred-to-Input)	Figure 12
CMRR vs Temperature	Figure 13, Figure 14
PSRR vs Temperature	Figure 15
0.1-Hz to 10-Hz Noise	Figure 16
Input Voltage Noise Spectral Density vs Frequency	Figure 17
THD+N Ratio vs Frequency	Figure 18
THD+N vs Output Amplitude	Figure 19
Quiescent Current vs Supply Voltage	Figure 20
Quiescent Current vs Temperature	Figure 21
Open-Loop Gain vs Temperature	Figure 22
Open-Loop Output Impedance vs Frequency	Figure 23
Small-Signal Overshoot vs Capacitive Load (100-mV Output Step)	Figure 24, Figure 25
No Phase Reversal	Figure 26
Positive Overload Recovery	Figure 27
Negative Overload Recovery	Figure 28
Small-Signal Step Response (100 mV)	Figure 29, Figure 30
Large-Signal Step Response	Figure 31, Figure 32
Large-Signal Settling Time (10-V Positive Step)	Figure 33
Large-Signal Settling Time (10-V Negative Step)	Figure 34
Short-Circuit Current vs Temperature	
Maximum Output Voltage vs Frequency	Figure 35
EMIRR IN+ vs Frequency	Figure 36

7.8 Typical Characteristics

at $V_S = \pm 18\text{ V}$, $V_{CM} = V_S / 2$, $R_{LOAD} = 10\text{ k}\Omega$ connected to $V_S / 2$, and $C_L = 100\text{ pF}$ (unless otherwise noted)

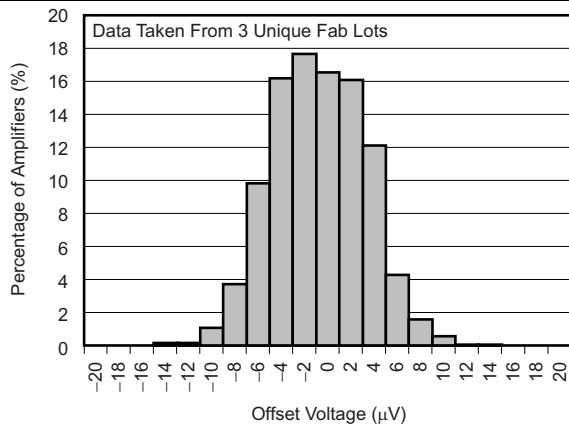


Figure 1. Offset Voltage Production Distribution

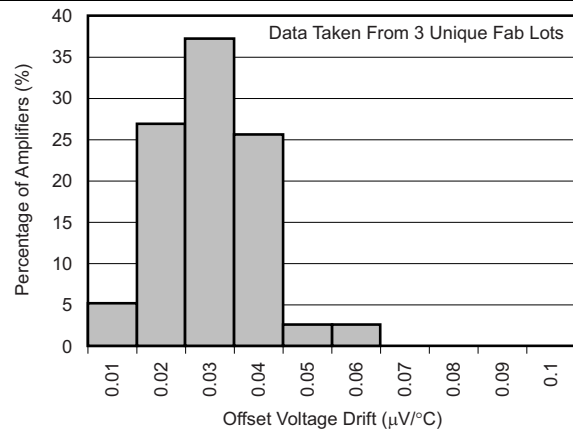
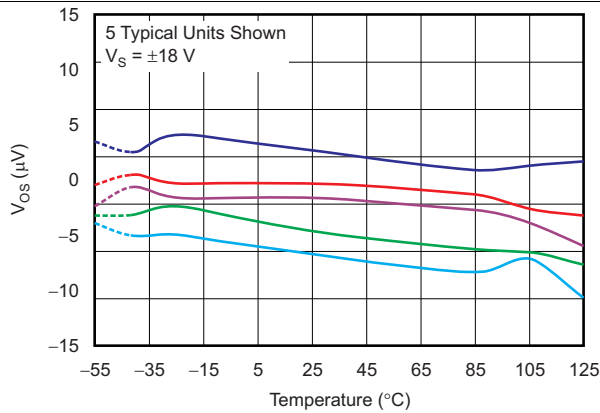


Figure 2. Offset Voltage Drift Distribution



OPA188-Q1 is specified from $T_A = -40^\circ\text{C}$ to $+125^\circ\text{C}$
OPA2188-Q1 is specified from $T_A = -40^\circ\text{C}$ to $+105^\circ\text{C}$

Figure 3. Offset Voltage vs Temperature

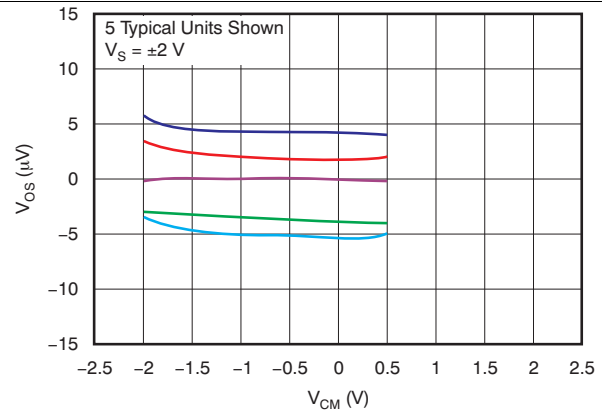


Figure 4. Offset Voltage vs Common-Mode Voltage

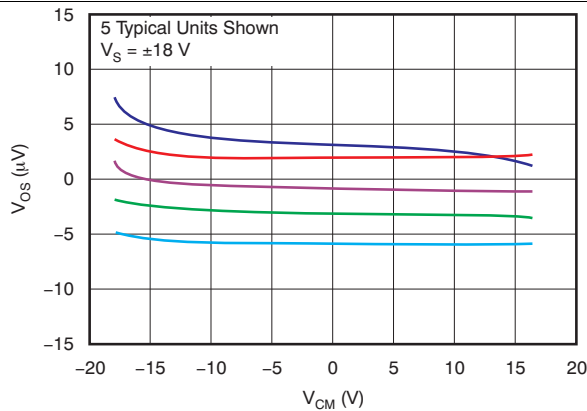


Figure 5. Offset Voltage vs Common-Mode Voltage

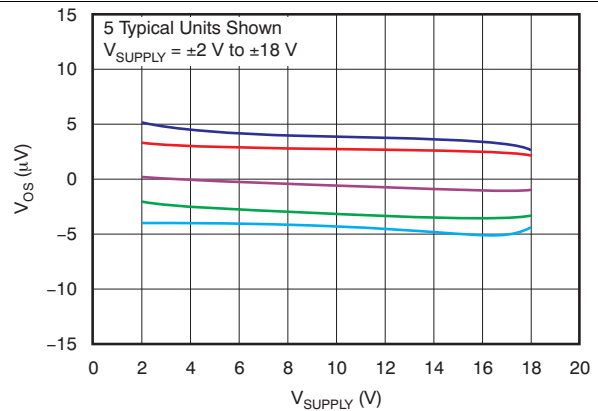


Figure 6. Offset Voltage vs Power Supply

Typical Characteristics (continued)

at $V_S = \pm 18\text{ V}$, $V_{CM} = V_S / 2$, $R_{LOAD} = 10\text{ k}\Omega$ connected to $V_S / 2$, and $C_L = 100\text{ pF}$ (unless otherwise noted)

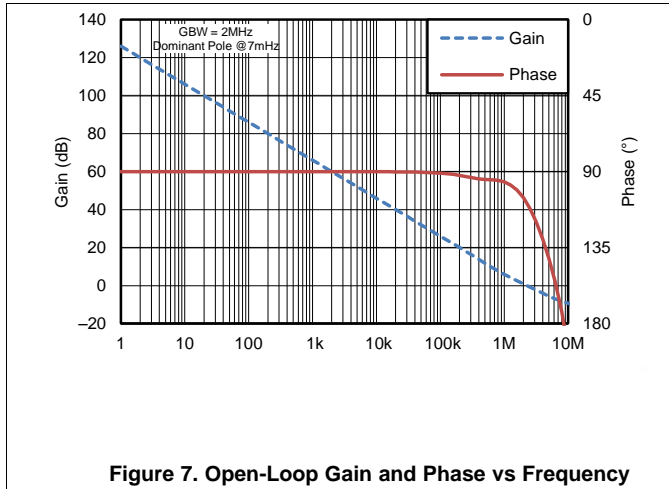


Figure 7. Open-Loop Gain and Phase vs Frequency

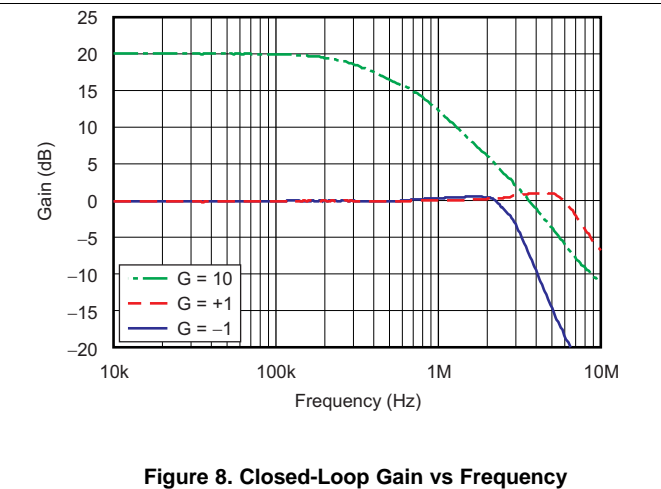


Figure 8. Closed-Loop Gain vs Frequency

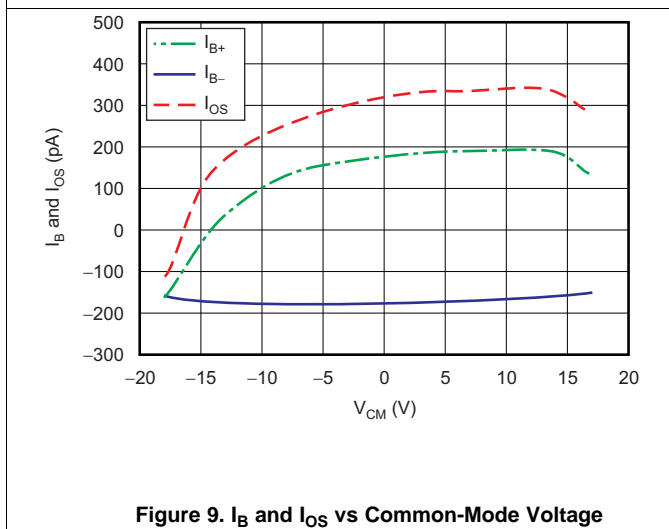


Figure 9. I_B and I_{OS} vs Common-Mode Voltage

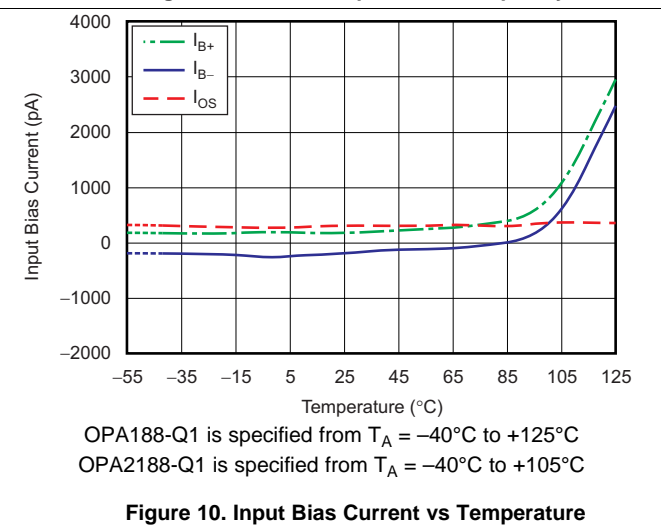


Figure 10. Input Bias Current vs Temperature

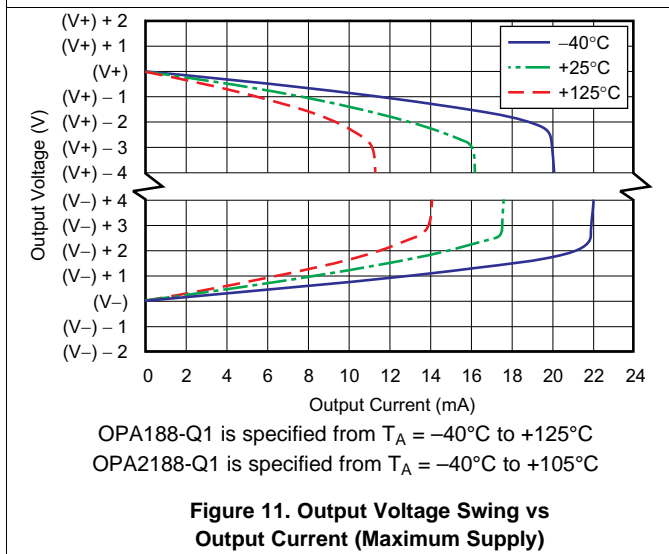


Figure 11. Output Voltage Swing vs Output Current (Maximum Supply)

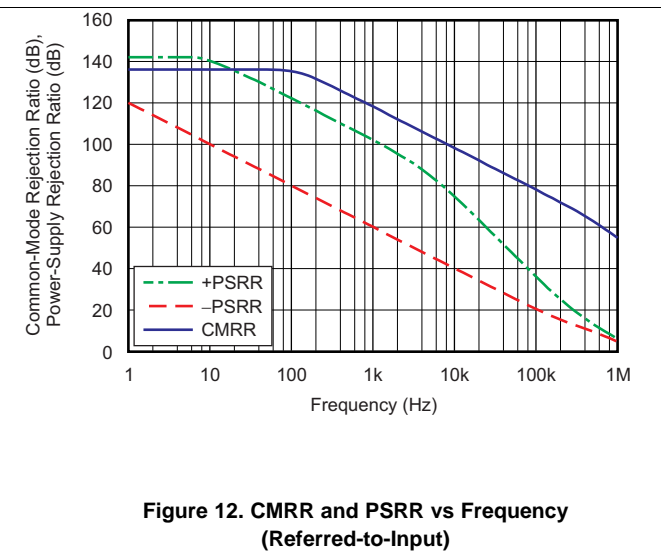
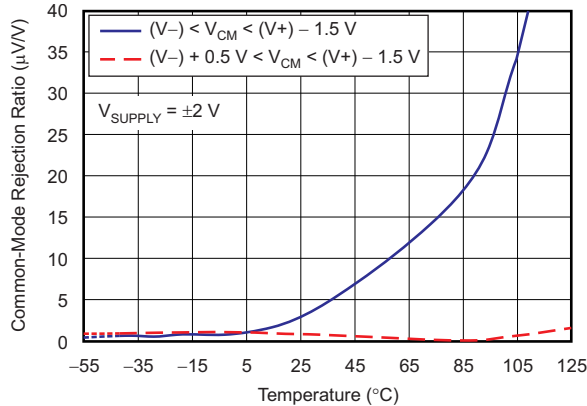


Figure 12. CMRR and PSRR vs Frequency (Referred-to-Input)

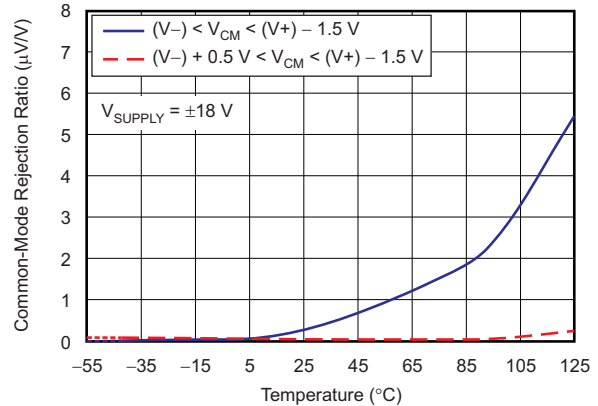
Typical Characteristics (continued)

at $V_S = \pm 18\text{ V}$, $V_{CM} = V_S / 2$, $R_{LOAD} = 10\text{ k}\Omega$ connected to $V_S / 2$, and $C_L = 100\text{ pF}$ (unless otherwise noted)



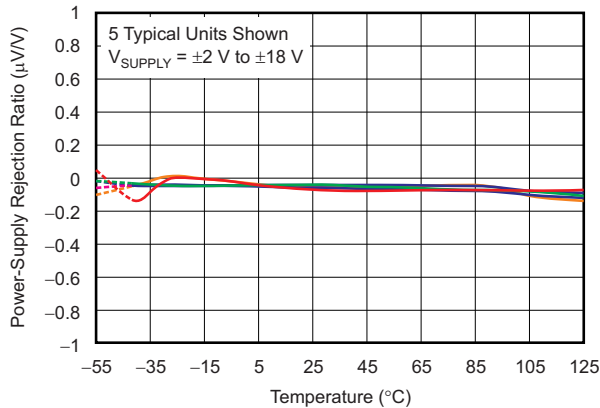
OPA188-Q1 is specified from $T_A = -40^\circ\text{C}$ to $+125^\circ\text{C}$
 OPA2188-Q1 is specified from $T_A = -40^\circ\text{C}$ to $+105^\circ\text{C}$

Figure 13. CMRR vs Temperature



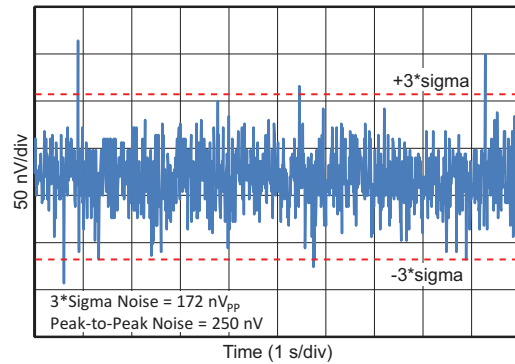
OPA188-Q1 is specified from $T_A = -40^\circ\text{C}$ to $+125^\circ\text{C}$
 OPA2188-Q1 is specified from $T_A = -40^\circ\text{C}$ to $+105^\circ\text{C}$

Figure 14. CMRR vs Temperature



OPA188-Q1 is specified from $T_A = -40^\circ\text{C}$ to $+125^\circ\text{C}$
 OPA2188-Q1 is specified from $T_A = -40^\circ\text{C}$ to $+105^\circ\text{C}$

Figure 15. PSRR vs Temperature



C016

Figure 16. 0.1-Hz to 10-Hz Noise

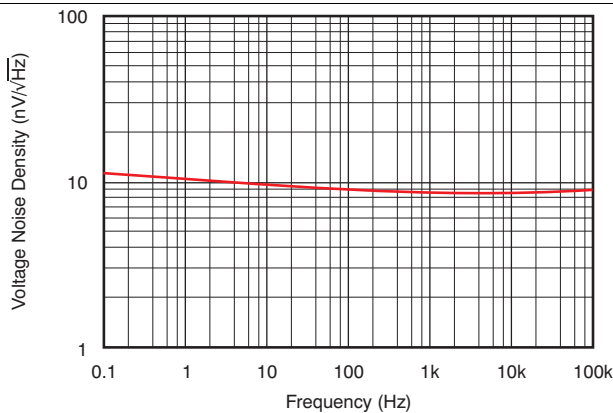


Figure 17. Input Voltage Noise Spectral Density vs Frequency

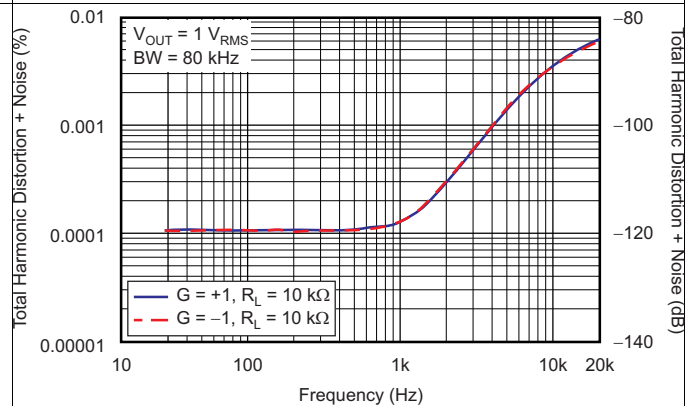


Figure 18. THD+N Ratio vs Frequency

Typical Characteristics (continued)

at $V_S = \pm 18\text{ V}$, $V_{CM} = V_S / 2$, $R_{LOAD} = 10\text{ k}\Omega$ connected to $V_S / 2$, and $C_L = 100\text{ pF}$ (unless otherwise noted)

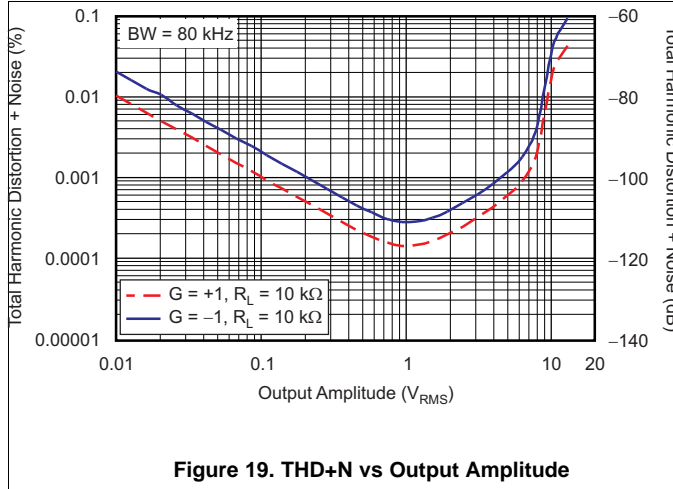


Figure 19. THD+N vs Output Amplitude

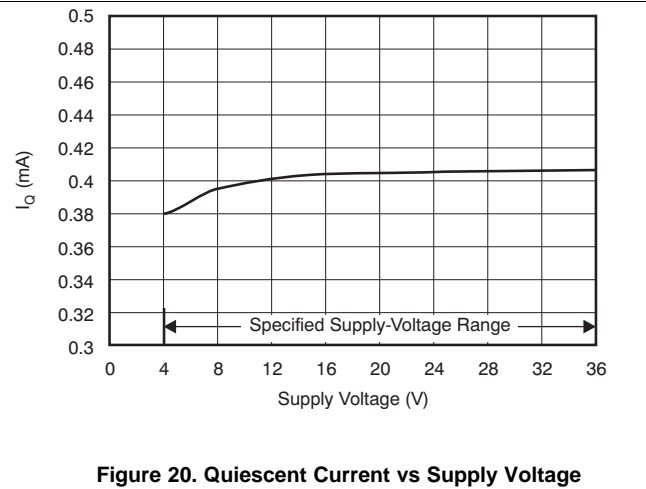


Figure 20. Quiescent Current vs Supply Voltage

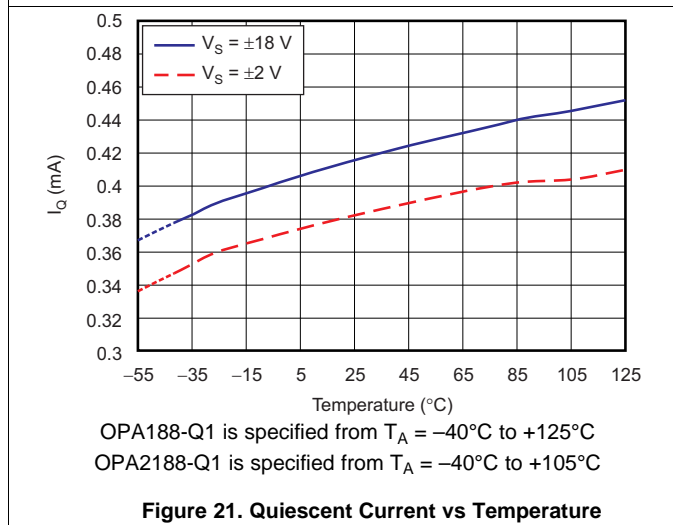


Figure 21. Quiescent Current vs Temperature

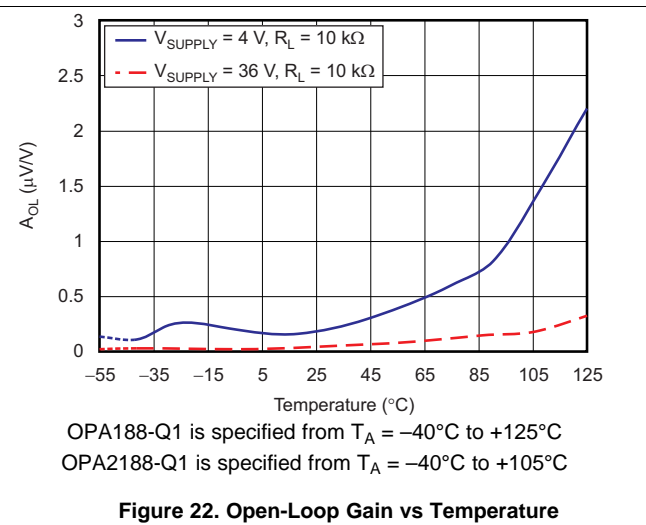


Figure 22. Open-Loop Gain vs Temperature

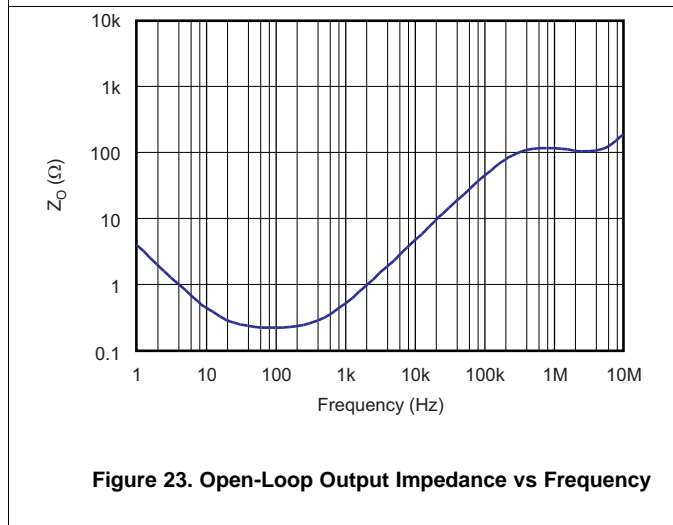


Figure 23. Open-Loop Output Impedance vs Frequency

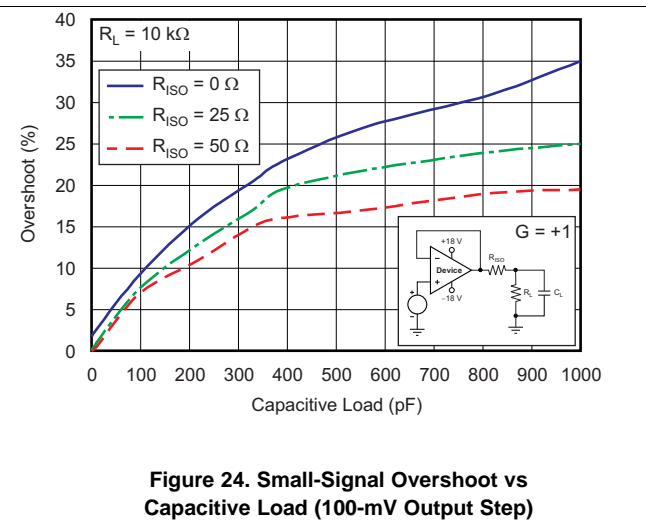


Figure 24. Small-Signal Overshoot vs Capacitive Load (100-mV Output Step)

Typical Characteristics (continued)

at $V_S = \pm 18\text{ V}$, $V_{CM} = V_S / 2$, $R_{LOAD} = 10\text{ k}\Omega$ connected to $V_S / 2$, and $C_L = 100\text{ pF}$ (unless otherwise noted)

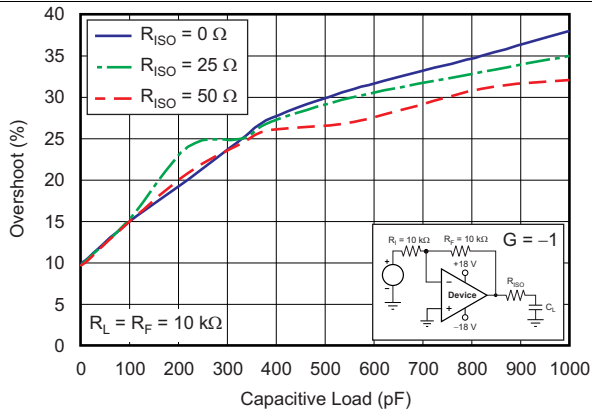


Figure 25. Small-Signal Overshoot vs Capacitive Load (100-mV Output Step)

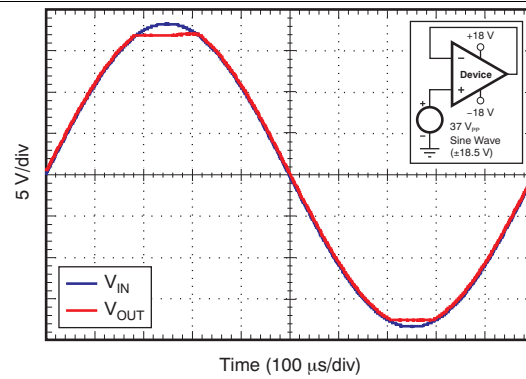


Figure 26. No Phase Reversal

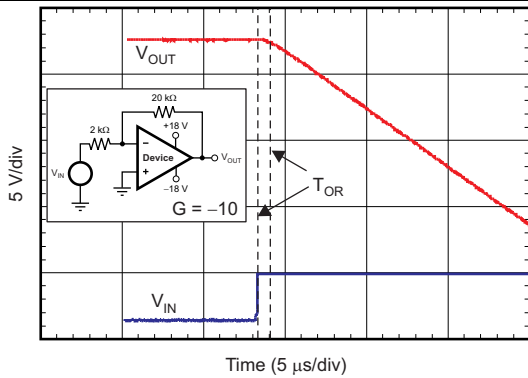


Figure 27. Positive Overload Recovery

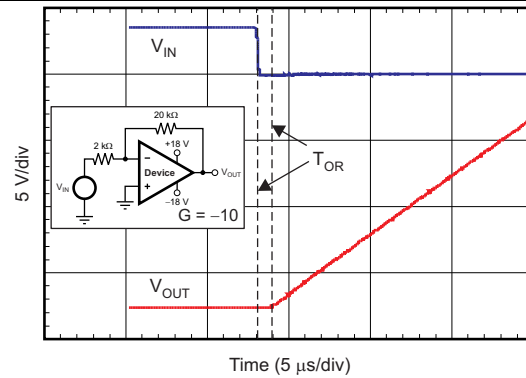


Figure 28. Negative Overload Recovery

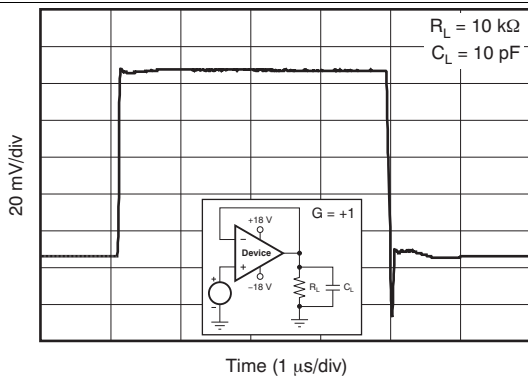


Figure 29. Small-Signal Step Response (100 mV)

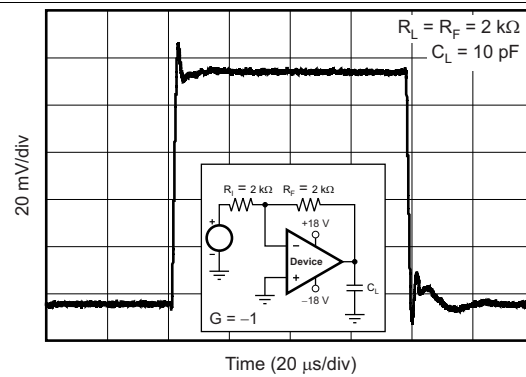


Figure 30. Small-Signal Step Response (100 mV)

Typical Characteristics (continued)

at $V_S = \pm 18\text{ V}$, $V_{CM} = V_S / 2$, $R_{LOAD} = 10\text{ k}\Omega$ connected to $V_S / 2$, and $C_L = 100\text{ pF}$ (unless otherwise noted)

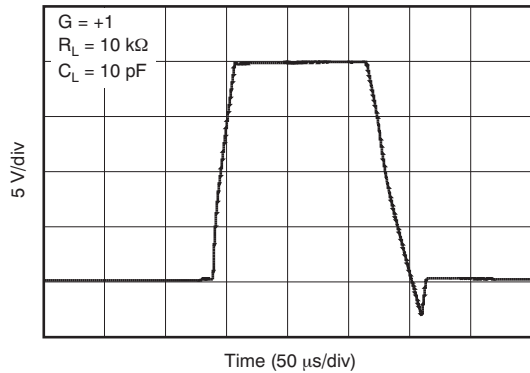


Figure 31. Large-Signal Step Response

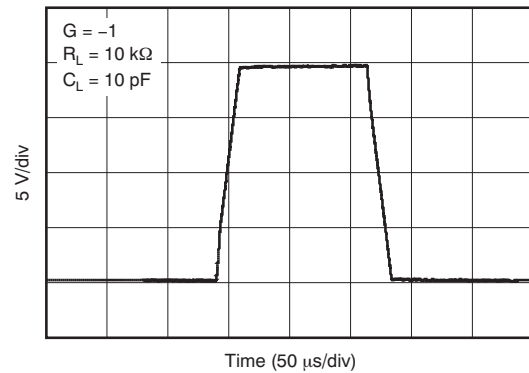


Figure 32. Large-Signal Step Response

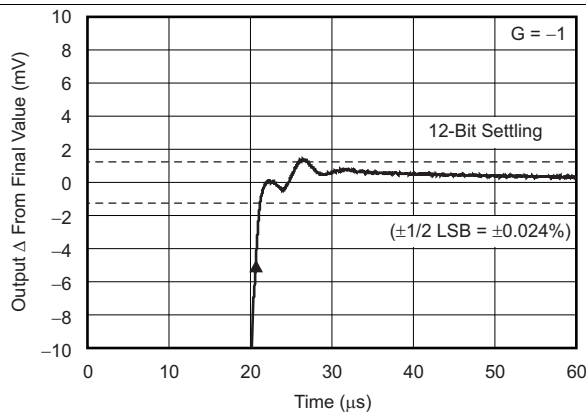


Figure 33. Large-Signal Settling Time (10-V Positive Step)

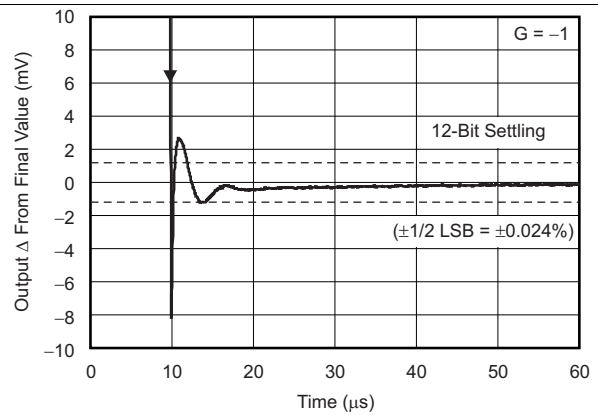


Figure 34. Large-Signal Settling Time (10-V Negative Step)

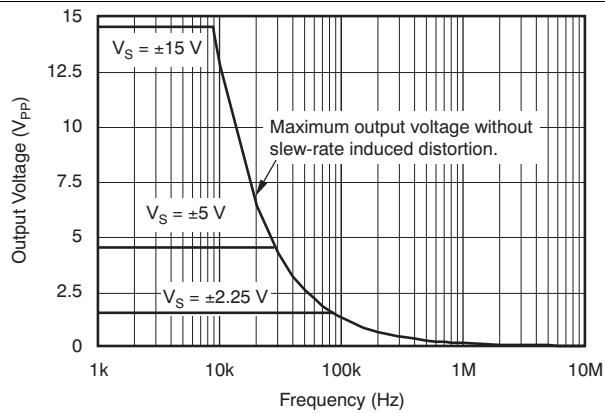


Figure 35. Maximum Output Voltage vs Frequency

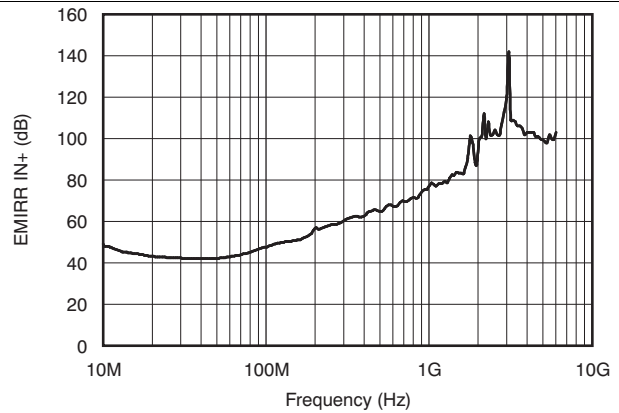


Figure 36. EMIRR IN+ vs Frequency

8 Detailed Description

8.1 Overview

The OPAx188-Q1 operational amplifier series combines precision offset and drift with excellent overall performance, making the device ideal for many precision applications. The precision offset drift of only 0.085 $\mu\text{V}/^\circ\text{C}$ provides stability over the entire temperature range. In addition, this device offers excellent overall performance with high CMRR, PSRR, and A_{OL} . As with all amplifiers, applications with noisy or high-impedance power supplies require decoupling capacitors close to the device pins. In most cases, 0.1- μF capacitors are adequate.

The OPAx188-Q1 device is part of a family of zero-drift, low-power, rail-to-rail output operational amplifiers. These devices operate from 4 V to 36 V, are unity-gain stable, and are suitable for a wide range of general-purpose applications. The zero-drift architecture provides ultra-low input offset voltage and near-zero input offset voltage drift over temperature and time. This choice of architecture also offers outstanding ac performance, such as ultra-low broadband noise and zero flicker noise.

8.2 Functional Block Diagram

Figure 37 shows a representation of the proprietary OPAx188-Q1 architecture. Table 2 lists the active and passive component counts for this device. The component count allows for accurate reliability calculations.

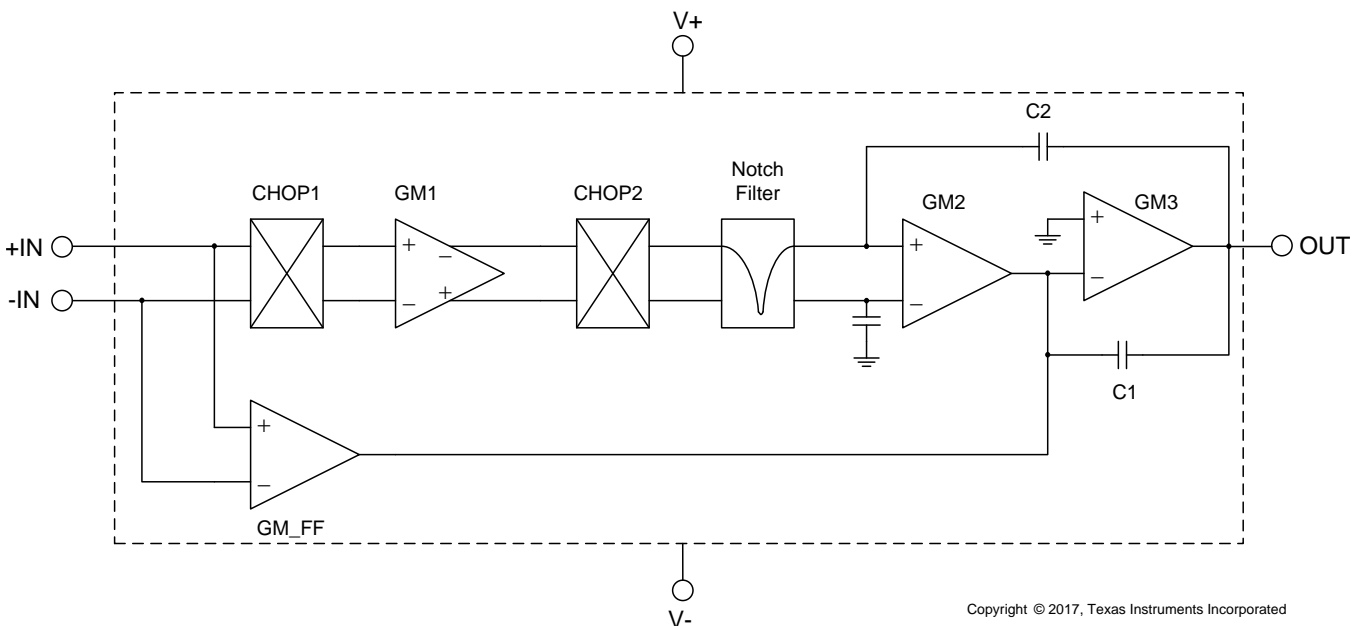


Figure 37. Functional Block Diagram

Table 2. Component Count

COMPONENT	COUNT
Transistors	636
Diodes	5
Resistors	41
Capacitors	72

8.3 Feature Description

The OPAx188-Q1 series is unity-gain stable and free from unexpected output phase reversal. This device series uses a proprietary, periodic zero-drift technique to provide low input offset voltage and very low input offset voltage drift over temperature. For lowest offset voltage and precision performance, optimize circuit layout and mechanical conditions. Avoid temperature gradients that create thermoelectric (Seebeck) effects in the thermocouple junctions formed from connecting dissimilar conductors. Cancel these thermally-generated potentials by ensuring the potentials are equal on both input pins. Other layout and design considerations include:

- Use low thermoelectric-coefficient conditions (avoid dissimilar metals).
- Thermally isolate components from power supplies or other heat sources.
- Shield the operational amplifier and input circuitry from air currents, such as cooling fans.

Follow these guidelines to reduce the likelihood of junctions being at different temperatures, which may cause thermoelectric voltages of 0.1 $\mu\text{V}/^\circ\text{C}$ or higher, depending on the materials used.

8.3.1 Operating Characteristics

The OPAx188-Q1 is specified for operation from 4 V to 36 V (± 2 V to ± 18 V). Many specifications apply from -40°C to $+125^\circ\text{C}$. Parameters that can exhibit significant variance with regard to operating voltage or temperature are presented in [Typical Characteristics](#).

8.3.2 Phase-Reversal Protection

The OPAx188-Q1 series has an internal phase-reversal protection. Many op amps exhibit a phase reversal when the input is driven beyond the linear common-mode range. This condition is most often encountered in noninverting circuits when the input is driven beyond the specified common-mode voltage range, causing the output to reverse into the opposite rail. The OPAx188-Q1 series input prevents phase reversal with excessive common-mode voltage. Instead, the output limits into the appropriate rail; [Figure 38](#) shows this performance.

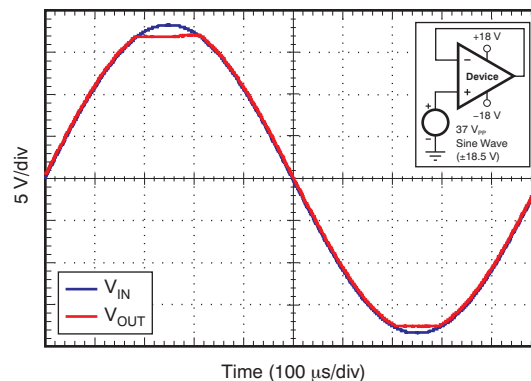


Figure 38. No Phase Reversal

8.3.3 Input Bias Current Clock Feedthrough

Zero-drift amplifiers (such as the OPAx188-Q1 series) use switching on the inputs to correct for the intrinsic offset and drift of the amplifier. Charge injection from the integrated switches on the inputs can introduce very short transients in the input bias current of the amplifier. The extremely short duration of these pulses prevents the devices from being amplified. However, the devices may be coupled to the output of the amplifier through the feedback network. The most effective method to prevent transients in the input bias current from producing additional noise at the amplifier output is to use a low-pass filter such as an RC network.

8.3.4 Internal Offset Correction

The OPAx188-Q1 op amp series uses an auto-calibration technique with a time-continuous 750-kHz op amp in the signal path. This amplifier is zero-corrected every 3 μs using a proprietary technique. Upon power up, the amplifier requires approximately 100 μs to achieve the specified V_{OS} accuracy. This design has no aliasing or flicker noise.

Feature Description (continued)

8.3.5 EMI Rejection

The OPAx188-Q1 series uses integrated electromagnetic interference (EMI) filtering to reduce the effects of EMI interference from sources such as wireless communications and densely-populated boards with a mix of analog signal chain and digital components. EMI immunity can be improved with circuit design techniques; the OPAx188-Q1 series benefits from these design improvements. Texas Instruments™ has developed the ability to accurately measure and quantify the immunity of an operational amplifier over a broad frequency spectrum extending from 10 MHz to 6 GHz. Figure 39 shows the results of this testing on the OPAx188-Q1. Table 3 lists the EMIRR IN+ values for the OPAx188-Q1 devices at particular frequencies commonly encountered in real-world applications. Applications listed in Table 3 may be centered on or operated near the particular frequency shown. Detailed information can also be found in *EMI Rejection Ratio of Operational Amplifiers*, available for download from www.ti.com.

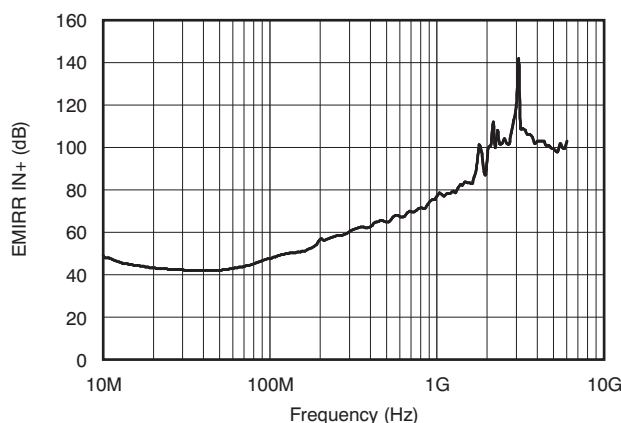


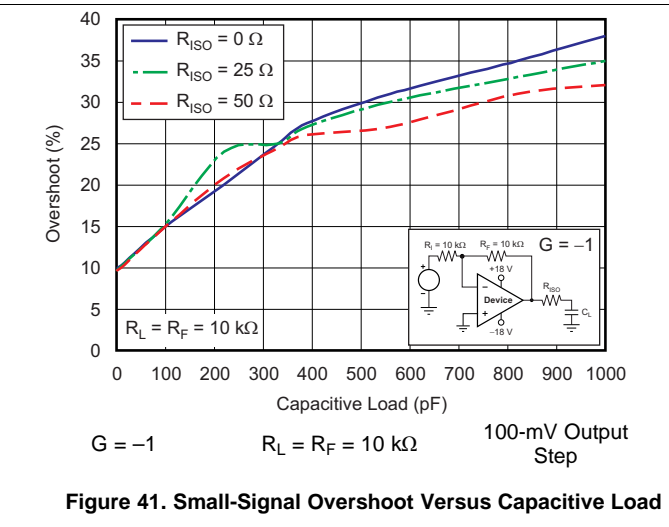
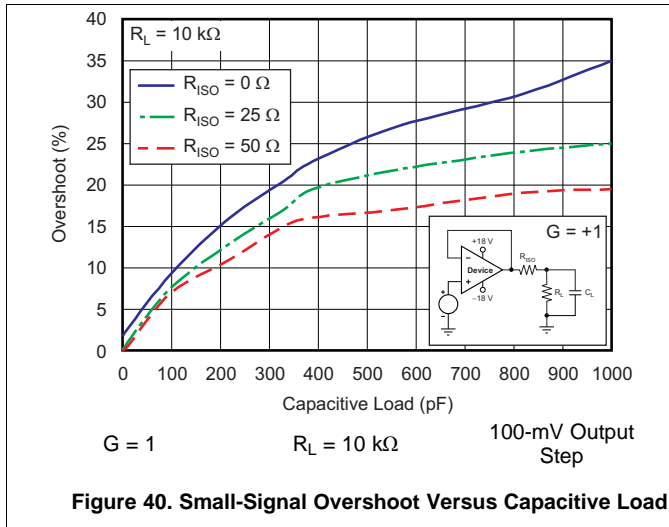
Figure 39. EMIRR Testing

Table 3. OPAx188-Q1 EMIRR IN+ for Frequencies of Interest

FREQUENCY	APPLICATION OR ALLOCATION	EMIRR IN+
400 MHz	Mobile radio, mobile satellite, space operation, weather, radar, ultra-high frequency (UHF) applications	62.2 dB
900 MHz	Global system for mobile communications (GSM) applications, radio communication, navigation, GPS (to 1.6 GHz), GSM, aeronautical mobile, UHF applications	74.7 dB
1.8 GHz	GSM applications, mobile personal communications, broadband, satellite, L-band (1 GHz to 2 GHz)	100.7 dB
2.4 GHz	802.11b, 802.11g, 802.11n, <i>Bluetooth</i> ®, mobile personal communications, industrial, scientific and medical (ISM) radio band, amateur radio and satellite, S-band (2 GHz to 4 GHz)	102.4 dB
3.6 GHz	Radiolocation, aero communication and navigation, satellite, mobile, S-band	104.8 dB
5 GHz	802.11a, 802.11n, aero communication and navigation, mobile communication, space and satellite operation, C-band (4 GHz to 8 GHz)	100.3 dB

8.3.6 Capacitive Load and Stability

The device dynamic characteristics are optimized for a range of common operating conditions. The combination of low closed-loop gain and high capacitive loads decreases the amplifier phase margin and can lead to gain peaking or oscillations. As a result, larger capacitive loads must be isolated from the output. The simplest way to achieve this isolation is to add a small resistor (for example, R_{OUT} equal to 50 Ω) in series with the output. Figure 40 and Figure 41 show graphs of small-signal overshoot versus capacitive load for several values of R_{OUT}. For details of analysis techniques and application circuits, see *Feedback Plots Define Op Amp AC Performance*, available for download from www.ti.com.



8.3.7 Electrical Overstress

Designers often ask questions about the capability of an operational amplifier to withstand electrical overstress. These questions tend to focus on the device inputs, but may involve the supply voltage pins or the output pin. Each of these different pin functions have electrical stress limits determined by the voltage breakdown characteristics of the particular semiconductor fabrication process and specific circuits connected to the pin. Additionally, internal electrostatic discharge (ESD) protection is built into these circuits to protect them from accidental ESD events both before and during product assembly.

Having a good understanding of this basic ESD circuitry and its relevance to an electrical overstress event is helpful. See [Figure 42](#) for an illustration of the ESD circuits contained in the OPAX188-Q1 (indicated by the dashed line area). The ESD protection circuitry involves several current-steering diodes connected from the input and output pins and routed back to the internal power-supply lines, where the diodes meet at an internal absorption device of the operational amplifier. This protection circuitry is intended to remain inactive during normal circuit operation.

An ESD event produces a short-duration, high-voltage pulse that is transformed into a short-duration, high-current pulse while discharging through a semiconductor device. The ESD protection circuits are designed to provide a current path around the operational amplifier core to prevent damage. The energy absorbed by the protection circuitry is dissipated as heat.

When an ESD voltage develops across two or more amplifier device pins, current flows through one or more steering diodes. Depending on the path that the current takes, the absorption device may activate. The absorption device has a trigger, or threshold voltage, that is above the normal operating voltage of the OPAX188-Q1 but below the device breakdown voltage level. When this threshold is exceeded, the absorption device quickly activates and clamps the voltage across the supply rails to a safe level.

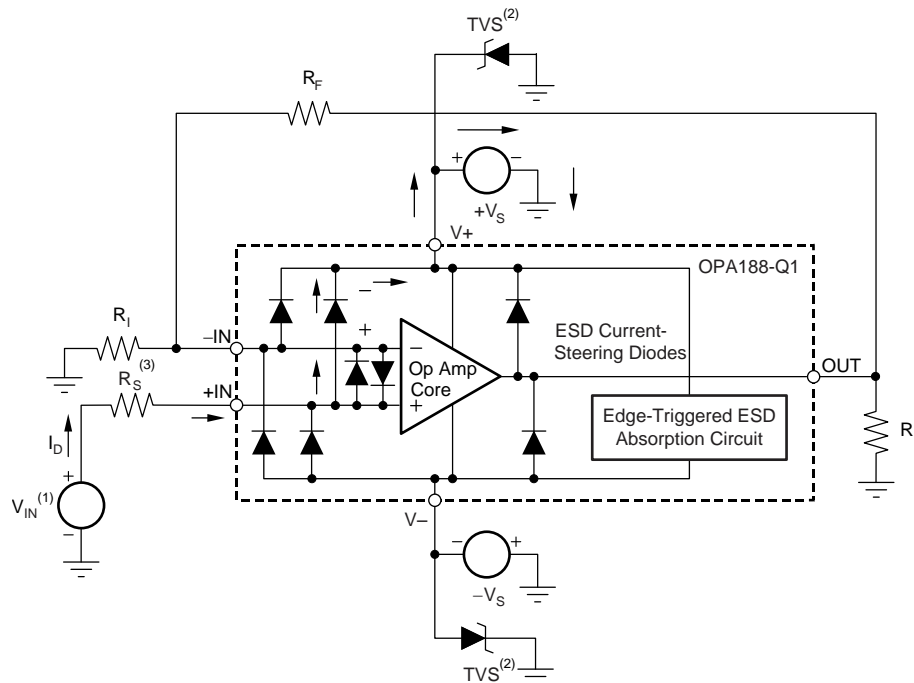
When the operational amplifier connects into a circuit (such as [Figure 42](#) shows), the ESD protection components are intended to remain inactive and do not become involved in the operation of the application circuit. However, circumstances may arise where an applied voltage exceeds the operating voltage range of a given pin. If this condition occurs, there is a risk that some internal ESD protection circuits may be biased on and conduct current. Any such current flow occurs through steering-diode paths and rarely involves the absorption device.

[Figure 42](#) shows a specific example where the input voltage, V_{IN} , exceeds the positive supply voltage ($+V_S$) by 500 mV or more. Much of what happens in the circuit depends on the supply characteristics. If $+V_S$ can sink the current, one of the upper-input steering diodes conducts and directs current to $+V_S$. Excessively high current levels can flow with increasingly higher V_{IN} . As a result, the data sheet specifications recommend that applications limit the input current to 10 mA.

If the supply is not capable of sinking the current, V_{IN} may begin sourcing current to the operational amplifier, and then take over as the source of positive supply voltage. The danger in this case is that the voltage can rise to levels that exceed the absolute maximum ratings of the operational amplifier.

Another common question involves what happens to the amplifier if an input signal is applied to the input while the power supplies ($+V_S$ or $-V_S$) are at 0 V. Again, this question depends on the supply characteristic while at 0 V, or at a level below the input signal amplitude. If the supplies appear as high impedance, then the operational amplifier supply current may be supplied by the input source through the current-steering diodes. This state is not a normal bias condition; the amplifier will not operate normally. If the supplies are low impedance, then the current through the steering diodes can become quite high. The current level depends on the ability of the input source to deliver current, and any resistance in the input path.

If there is any uncertainty about the ability of the supply to absorb this current, external zener diodes may be added to the supply pins, as shown in Figure 42. The zener voltage must be selected such that the diode does not turn on during normal operation. However, the zener voltage must be low enough so that the zener diode conducts if the supply pin begins to rise above the safe operating supply voltage level.



Copyright © 2017, Texas Instruments Incorporated

- (1) $V_{IN} = +V_S + 500 \text{ mV}$.
- (2) TVS: $+V_{S(max)} > V_{TVSBR(min)} > +V_S$.
- (3) Suggested value is approximately 1 k Ω .

Figure 42. Equivalent Internal ESD Circuitry Relative to a Typical Circuit Application

The OPAx188-Q1 series input terminals are protected from excessive differential voltage with back-to-back diodes, as shown in Figure 42. In most circuit applications, the input protection circuitry has no consequence. However, in low-gain and $G = 1$ circuits, fast-ramping input signals can forward-bias these diodes because the output of the amplifier cannot respond rapidly enough to the input ramp. If the input signal is fast enough to create this forward-bias condition, the input signal current must be limited to 10 mA or less. If the input signal current is not inherently limited, an input series resistor can be used to limit the signal input current. This input series resistor degrades the low-noise performance of the OPAx188-Q1 series. Figure 42 shows an example configuration that implements a current-limiting feedback resistor.

8.4 Device Functional Modes

The OPAx188-Q1 series has a single functional mode, and is operational when the power-supply voltage is greater than 4.5 V (± 2.25 V). The maximum power supply voltage for the OPAx188-Q1 family is 36 V (± 18 V).

9 Application and Implementation

NOTE

Information in the following applications sections is not part of the TI component specification, and TI does not warrant its accuracy or completeness. TI's customers are responsible for determining suitability of components for their purposes. Customers should validate and test their design implementation to confirm system functionality.

9.1 Application Information

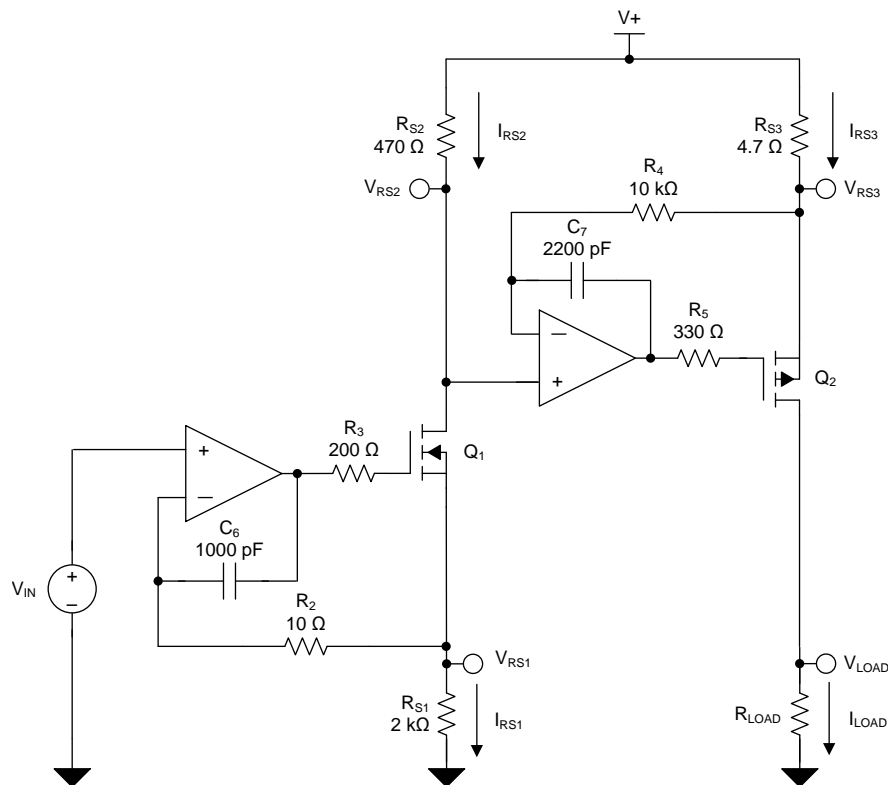
The OPAx188-Q1 operational amplifiers combine precision offset and drift with excellent overall performance, making the series ideal for many precision applications. The precision offset drift of only $0.085 \mu\text{V}/^\circ\text{C}$ provides stability over the entire temperature range. In addition, the device pairs excellent CMRR, PSRR, and A_{OL} dc performance with outstanding low-noise operation. As with all amplifiers, applications with noisy or high-impedance power supplies require decoupling capacitors close to the device pins. In most cases, $0.1\text{-}\mu\text{F}$ capacitors are adequate.

The following application examples highlight only a few of the circuits where the OPAx188-Q1 series can be used.

9.2 Typical Applications

9.2.1 High-Side Voltage-to-Current (V-I) Converter

The circuit shown in Figure 43 is a high-side voltage-to-current (V-I) converter. The converter translates an input voltage of 0 V to 2 V to an output current of 0 mA to 100 mA . Figure 44 shows the measured transfer function for this circuit. The low offset voltage and offset drift of the OPA2188-Q1 facilitate excellent dc accuracy for the circuit.



Copyright © 2017, Texas Instruments Incorporated

Figure 43. High-Side Voltage-to-Current (V-I) Converter

Typical Applications (continued)

9.2.1.1 Design Requirements

The design requirements are:

- Supply voltage: 5 V dc
- Input: 0 V to 2 V dc
- Output: 0 mA to 100 mA dc

9.2.1.2 Detailed Design Procedure

The V-I transfer function of the circuit is based on the relationship between the input voltage, V_{IN} , and the three current sensing resistors, R_{S1} , R_{S2} , and R_{S3} . The relationship between V_{IN} and R_{S1} determines the current that flows through the first stage of the design. The current gain from the first stage to the second stage is based on the relationship between R_{S2} and R_{S3} .

For a successful design, pay close attention to the dc characteristics of the operational amplifier chosen for the application. To meet the performance goals, this application benefits from an operational amplifier with low offset voltage, low temperature drift, and rail-to-rail output. The OPAx188-Q1 CMOS operational amplifier is a high-precision, ultra-low offset, ultra-low drift amplifier, optimized for low-voltage, single-supply operation, with an output swing to within 15 mV of the positive rail. The devices in the OPAx188-Q1 family use chopping techniques to provide low initial offset voltage and near-zero drift over time and temperature. Low offset voltage and low drift reduce the offset error in the system, making this device appropriate for precise dc control. The rail-to-rail output stage of the OPAx188-Q1 makes sure that the output swing of the operational amplifier is able to fully control the gate of the MOSFET devices within the supply rails.

A detailed error analysis, design procedure, and additional measured results are given in reference design TIPD102, a step-by-step process to design a [High-Side Voltage-to-Current \(V-I\) Converter](#).



For step-by-step design procedure, circuit schematics, bill of materials, PCB files, simulation results, and test results, refer to [TI Precision Design TIPD102, High-Side Voltage-to-Current \(V-I\) Converter \(SLAU502\)](#).

9.2.1.3 Application Curves

Figure 44 shows the measured transfer function for the high-side voltage-to-current converter shown in Figure 43 .

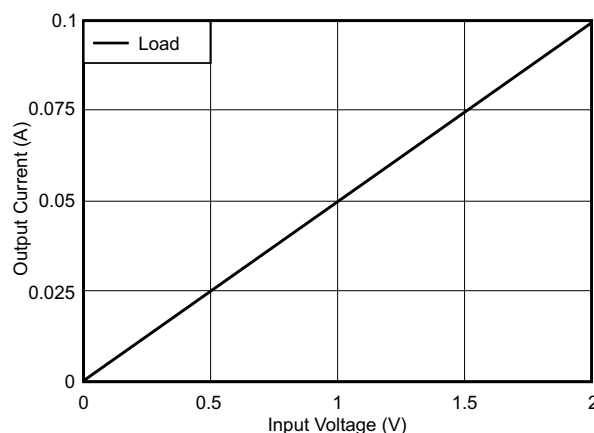


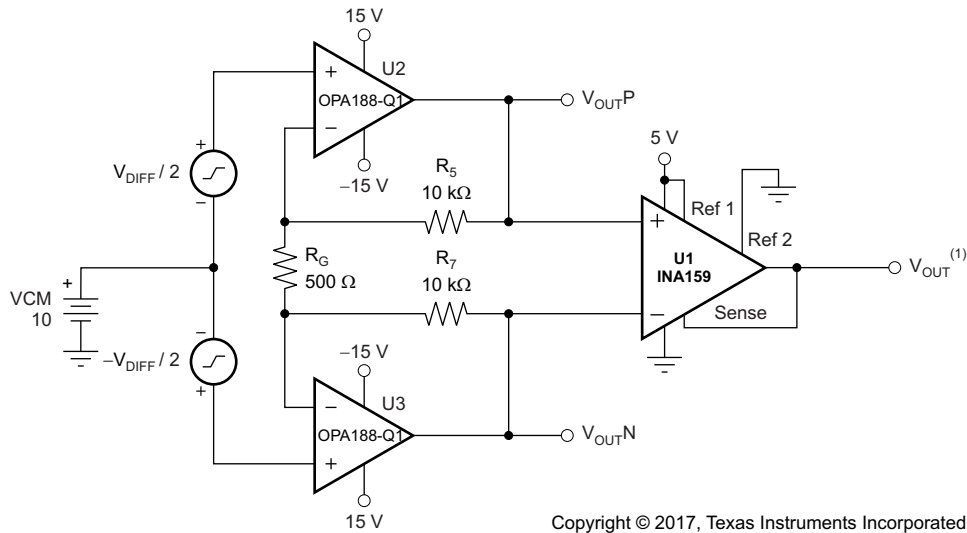
Figure 44. Measured Transfer Function for High-Side V-I Converter

9.2.2 Discrete INA + Attenuation for ADC With 3.3-V Supply

NOTE

The TINA-TI files shown in the following sections require that either the TINA software (from DesignSoft™) or TINA-TI software be installed. Download the free TINA-TI software from the [TINA-TI folder](#).

Figure 45 shows an example of how the OPA188-Q1 series is used as a high-voltage, high-impedance front-end for a precision, discrete instrumentation amplifier with attenuation. The INA159 provides the attenuation that allows this circuit to easily interface with 3.3-V or 5-V analog-to-digital converters (ADCs). Click the following link to download the TINA-TI file: [Discrete INA](#).



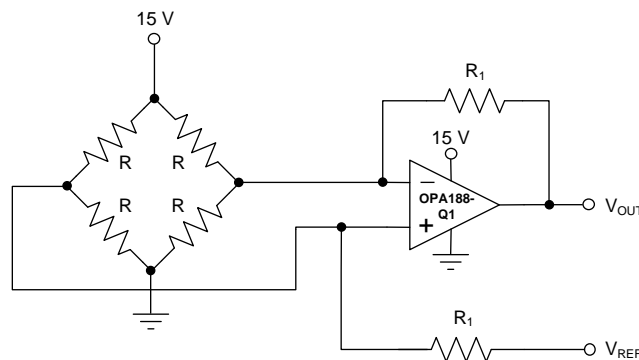
Copyright © 2017, Texas Instruments Incorporated

$$(1) V_{OUT} = V_{DIFF} \times (41 / 5) + (Ref 1) / 2.$$

Figure 45. Discrete INA + Attenuation for ADC With 3.3-V Supply

9.2.3 Bridge Amplifier

Figure 46 shows the basic configuration for a bridge amplifier. Click the following link to download the TINA-TI file: [Bridge Amplifier Circuit](#).



Copyright © 2017, Texas Instruments Incorporated

Figure 46. Bridge Amplifier

9.2.4 Low-Side Current Monitor

Figure 47 shows the OPAx188-Q1 configured in a low-side current-sensing application. The load current (I_{LOAD}) creates a voltage drop across the shunt resistor (R_{SHUNT}). This voltage is amplified by the OPAx188-Q1, with a gain of 201. The load current is set from 0 A to 500 mA, which corresponds to an output voltage range from 0 V to 10 V. The output range can be adjusted by changing the shunt resistor or gain of the configuration. Click the following link to download the TINA-TI file: [Current-Sensing Circuit](#).

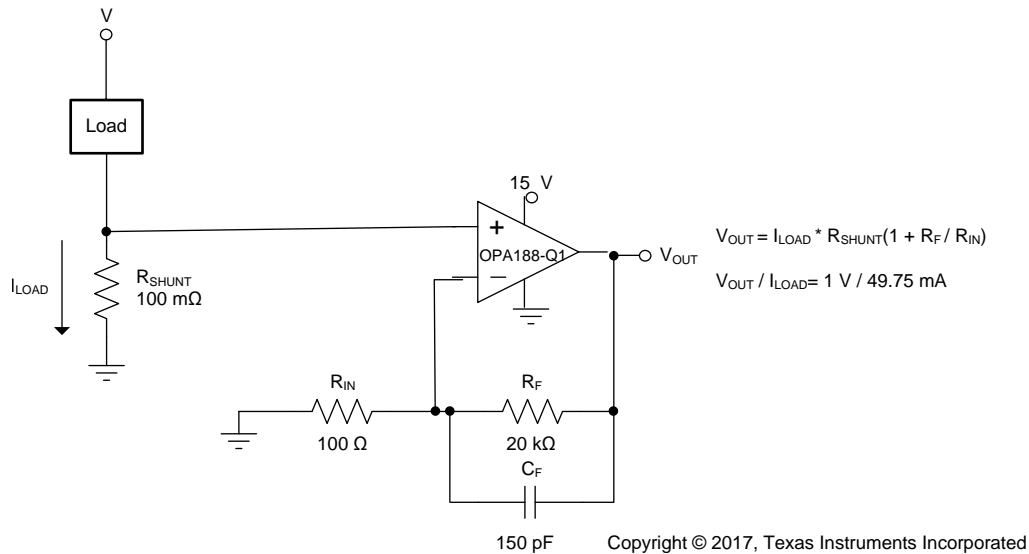


Figure 47. Low-Side Current Monitor

9.2.5 Programmable Power Supply

Figure 48 shows the OPA188-Q1 configured as a precision programmable power supply using the 16-bit, voltage output DAC8831 and the OPA548 high-current amplifier. This application amplifies the digital-to-analog converter (DAC) voltage by a value of five, and handles a large variety of capacitive and current loads. The OPA188-Q1 in the front-end provides precision and low drift across a wide range of inputs and conditions. Click the following link to download the TINA-TI file: [Programmable Power-Supply Circuit](#).

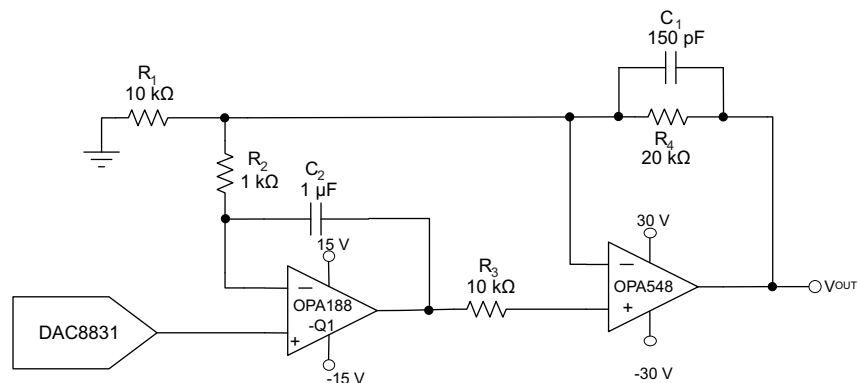
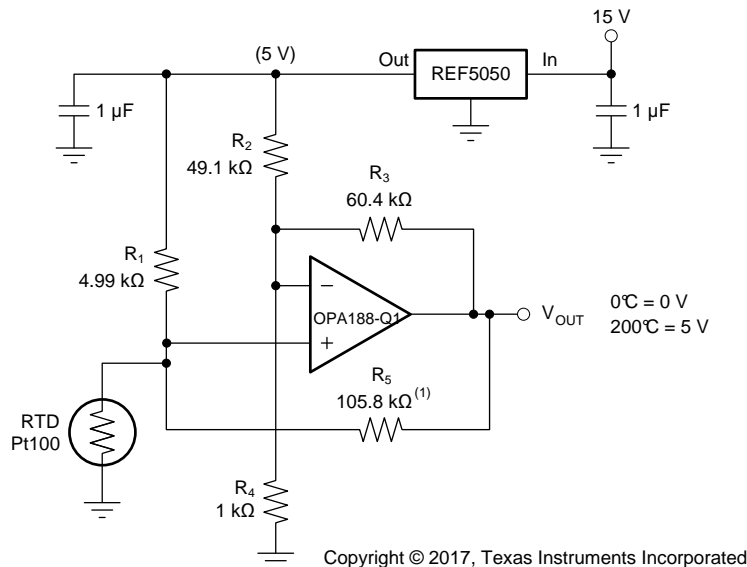


Figure 48. Programmable Power Supply

9.2.6 RTD Amplifier With Linearization

See [Analog Linearization Of Resistance Temperature Detectors](#) for an in-depth analysis of [Figure 49](#). Click the following link to download the TINA-TI file: [RTD Amplifier with Linearization](#).



(1) R_5 provides positive-varying excitation to linearize output.

Figure 49. RTD Amplifier With Linearization

10 Power Supply Recommendations

The OPAx188-Q1 series is specified for operation from 4 V to 36 V (± 2 V to ± 18 V); many specifications apply from -40°C to $+125^\circ\text{C}$. [Typical Characteristics](#) presents parameters that can exhibit significant variance with regard to operating voltage or temperature.

CAUTION

Supply voltages larger than 40 V can permanently damage the device (see the [Absolute Maximum Ratings](#)).

Place 0.1- μF bypass capacitors close to the power-supply pins to reduce errors coupling in from noisy or high-impedance power supplies. For more detailed information on bypass capacitor placement, see [Layout](#).

11 Layout

11.1 Layout Guidelines

For best operational performance of the device, use good printed circuit board (PCB) layout practices, including:

- Low-ESR, 0.1- μF ceramic bypass capacitors must be connected between each supply pin and ground, placed as close to the device as possible. A single bypass capacitor from $V+$ to ground is applicable to single-supply applications.
- To reduce parasitic coupling, run the input traces as far away from the supply lines as possible.
- A ground plane helps distribute heat and reduces EMI noise pickup.
- Place the external components as close to the device as possible. This configuration prevents parasitic errors (such as the Seebeck effect) from occurring.
- Consider a driven, low-impedance guard ring around the critical traces. A guard ring can significantly reduce leakage currents from nearby traces that are at different potentials.

11.2 Layout Example

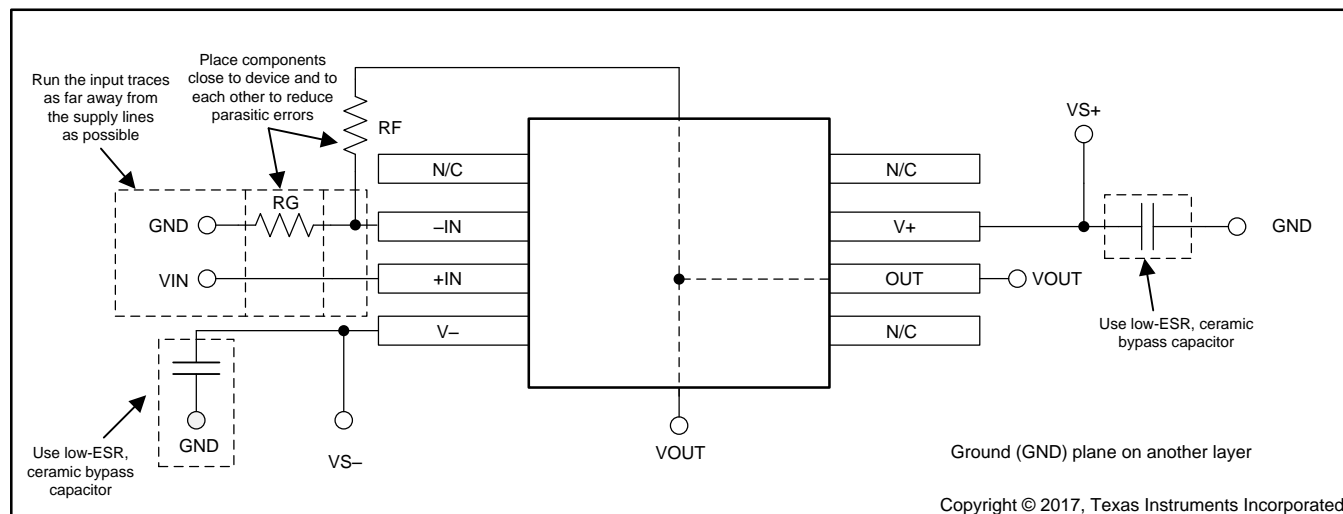
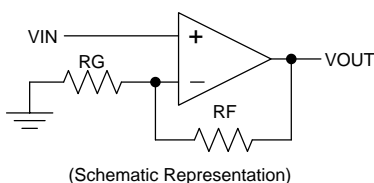


Figure 50. Layout Example

12 Device and Documentation Support

12.1 Device Support

12.1.1 Development Support

12.1.1.1 TINA-TI™ (Free Download Software)

TINA™ is a simple, powerful, and easy-to-use circuit simulation program based on a SPICE engine. TINA-TI is a free, fully-functional version of the TINA software, preloaded with a library of macromodels in addition to a range of both passive and active models. TINA-TI provides all the conventional dc, transient, and frequency domain analysis of SPICE as well as additional design capabilities.

Available as a free download, [TINA-TI](#) offers extensive post-processing capability that allows users to format results in a variety of ways. Virtual instruments offer users the ability to select input waveforms and probe circuit nodes, voltages, and waveforms, creating a dynamic quick-start tool.

12.2 Documentation Support

12.2.1 Related Documentation

For related documentation see the following:

- [EMI Rejection Ratio of Operational Amplifiers](#) (SBOA128)
- [Feedback Plots Define Op Amp AC Performance](#) (SBOA015)
- [Analog Linearization Of Resistance Temperature Detectors](#) (SLYT442)
- [High-Side Voltage-to-Current \(V-I\) Converter](#) (SLAU502)

12.3 Related Links

[Table 4](#) lists quick access links. Categories include technical documents, support and community resources, tools and software, and quick access to sample or buy.

Table 4. Related Links

PARTS	PRODUCT FOLDER	ORDER NOW	TECHNICAL DOCUMENTS	TOOLS & SOFTWARE	SUPPORT & COMMUNITY
OPA188-Q1	Click here	Click here	Click here	Click here	Click here
OPA2188-Q1	Click here	Click here	Click here	Click here	Click here

12.4 Receiving Notification of Documentation Updates

To receive notification of documentation updates, navigate to the device product folder on ti.com. In the upper right corner, click on *Alert me* to register and receive a weekly digest of any product information that has changed. For change details, review the revision history included in any revised document.

12.5 Community Resources

The following links connect to TI community resources. Linked contents are provided "AS IS" by the respective contributors. They do not constitute TI specifications and do not necessarily reflect TI's views; see TI's [Terms of Use](#).

TI E2E™ Online Community *TI's Engineer-to-Engineer (E2E) Community*. Created to foster collaboration among engineers. At e2e.ti.com, you can ask questions, share knowledge, explore ideas and help solve problems with fellow engineers.

Design Support *TI's Design Support* Quickly find helpful E2E forums along with design support tools and contact information for technical support.

12.6 Trademarks

Texas Instruments, E2E are trademarks of Texas Instruments.
TINA-TI is a trademark of Texas Instruments, Inc and DesignSoft, Inc.
Bluetooth is a registered trademark of Bluetooth SIG, Inc.
DesignSoft, TINA are trademarks of DesignSoft, Inc.

12.7 Electrostatic Discharge Caution



This integrated circuit can be damaged by ESD. Texas Instruments recommends that all integrated circuits be handled with appropriate precautions. Failure to observe proper handling and installation procedures can cause damage.

ESD damage can range from subtle performance degradation to complete device failure. Precision integrated circuits may be more susceptible to damage because very small parametric changes could cause the device not to meet its published specifications.

12.8 Glossary

[SLYZ022](#) — *TI Glossary*.

This glossary lists and explains terms, acronyms, and definitions.

13 Mechanical, Packaging, and Orderable Information

The following pages include mechanical, packaging, and orderable information. This information is the most current data available for the designated devices. This data is subject to change without notice and revision of this document. For browser-based versions of this data sheet, refer to the left-hand navigation.

PACKAGING INFORMATION

Orderable part number	Status (1)	Material type (2)	Package Pins	Package qty Carrier	RoHS (3)	Lead finish/ Ball material (4)	MSL rating/ Peak reflow (5)	Op temp (°C)	Part marking (6)
OPA188AQDGKRQ1	Active	Production	VSSOP (DGK) 8	2500 LARGE T&R	Yes	NIPDAUAG	Level-2-260C-1 YEAR	-40 to 125	188
OPA188AQDGKRQ1.B	Active	Production	VSSOP (DGK) 8	2500 LARGE T&R	Yes	NIPDAUAG	Level-2-260C-1 YEAR	-40 to 125	188
OPA2188AQDGKRQ1	Active	Production	VSSOP (DGK) 8	2500 LARGE T&R	Yes	NIPDAUAG	Level-2-260C-1 YEAR	-40 to 125	2188
OPA2188AQDGKRQ1.B	Active	Production	VSSOP (DGK) 8	2500 LARGE T&R	Yes	NIPDAUAG	Level-2-260C-1 YEAR	-40 to 125	2188

(1) **Status:** For more details on status, see our [product life cycle](#).

(2) **Material type:** When designated, preproduction parts are prototypes/experimental devices, and are not yet approved or released for full production. Testing and final process, including without limitation quality assurance, reliability performance testing, and/or process qualification, may not yet be complete, and this item is subject to further changes or possible discontinuation. If available for ordering, purchases will be subject to an additional waiver at checkout, and are intended for early internal evaluation purposes only. These items are sold without warranties of any kind.

(3) **RoHS values:** Yes, No, RoHS Exempt. See the [TI RoHS Statement](#) for additional information and value definition.

(4) **Lead finish/Ball material:** Parts may have multiple material finish options. Finish options are separated by a vertical ruled line. Lead finish/Ball material values may wrap to two lines if the finish value exceeds the maximum column width.

(5) **MSL rating/Peak reflow:** The moisture sensitivity level ratings and peak solder (reflow) temperatures. In the event that a part has multiple moisture sensitivity ratings, only the lowest level per JEDEC standards is shown. Refer to the shipping label for the actual reflow temperature that will be used to mount the part to the printed circuit board.

(6) **Part marking:** There may be an additional marking, which relates to the logo, the lot trace code information, or the environmental category of the part.

Multiple part markings will be inside parentheses. Only one part marking contained in parentheses and separated by a "~" will appear on a part. If a line is indented then it is a continuation of the previous line and the two combined represent the entire part marking for that device.

Important Information and Disclaimer: The information provided on this page represents TI's knowledge and belief as of the date that it is provided. TI bases its knowledge and belief on information provided by third parties, and makes no representation or warranty as to the accuracy of such information. Efforts are underway to better integrate information from third parties. TI has taken and continues to take reasonable steps to provide representative and accurate information but may not have conducted destructive testing or chemical analysis on incoming materials and chemicals. TI and TI suppliers consider certain information to be proprietary, and thus CAS numbers and other limited information may not be available for release.

In no event shall TI's liability arising out of such information exceed the total purchase price of the TI part(s) at issue in this document sold by TI to Customer on an annual basis.

OTHER QUALIFIED VERSIONS OF OPA188-Q1, OPA2188-Q1 :

- Catalog : [OPA188](#), [OPA2188](#)

NOTE: Qualified Version Definitions:

- Catalog - TI's standard catalog product

TAPE AND REEL INFORMATION



QUADRANT ASSIGNMENTS FOR PIN 1 ORIENTATION IN TAPE



*All dimensions are nominal

Device	Package Type	Package Drawing	Pins	SPQ	Reel Diameter (mm)	Reel Width W1 (mm)	A0 (mm)	B0 (mm)	K0 (mm)	P1 (mm)	W (mm)	Pin1 Quadrant
OPA188AQDGKRQ1	VSSOP	DGK	8	2500	330.0	12.4	5.3	3.4	1.4	8.0	12.0	Q1
OPA2188AQDGKRQ1	VSSOP	DGK	8	2500	330.0	12.4	5.3	3.4	1.4	8.0	12.0	Q1

TAPE AND REEL BOX DIMENSIONS



*All dimensions are nominal

Device	Package Type	Package Drawing	Pins	SPQ	Length (mm)	Width (mm)	Height (mm)
OPA188AQDGKRQ1	VSSOP	DGK	8	2500	366.0	364.0	50.0
OPA2188AQDGKRQ1	VSSOP	DGK	8	2500	366.0	364.0	50.0

DGK0008A



PACKAGE OUTLINE

VSSOP - 1.1 mm max height

SMALL OUTLINE PACKAGE



4214862/A 04/2023

NOTES:

PowerPAD is a trademark of Texas Instruments.

1. All linear dimensions are in millimeters. Any dimensions in parenthesis are for reference only. Dimensioning and tolerancing per ASME Y14.5M.
2. This drawing is subject to change without notice.
3. This dimension does not include mold flash, protrusions, or gate burrs. Mold flash, protrusions, or gate burrs shall not exceed 0.15 mm per side.
4. This dimension does not include interlead flash. Interlead flash shall not exceed 0.25 mm per side.
5. Reference JEDEC registration MO-187.

EXAMPLE BOARD LAYOUT

DGK0008A

™ VSSOP - 1.1 mm max height

SMALL OUTLINE PACKAGE



LAND PATTERN EXAMPLE
EXPOSED METAL SHOWN
SCALE: 15X



SOLDER MASK DETAILS

4214862/A 04/2023

NOTES: (continued)

6. Publication IPC-7351 may have alternate designs.
7. Solder mask tolerances between and around signal pads can vary based on board fabrication site.
8. Vias are optional depending on application, refer to device data sheet. If any vias are implemented, refer to their locations shown on this view. It is recommended that vias under paste be filled, plugged or tented.
9. Size of metal pad may vary due to creepage requirement.

EXAMPLE STENCIL DESIGN

DGK0008A

™ VSSOP - 1.1 mm max height

SMALL OUTLINE PACKAGE



SOLDER PASTE EXAMPLE
SCALE: 15X

4214862/A 04/2023

NOTES: (continued)

11. Laser cutting apertures with trapezoidal walls and rounded corners may offer better paste release. IPC-7525 may have alternate design recommendations.
12. Board assembly site may have different recommendations for stencil design.

IMPORTANT NOTICE AND DISCLAIMER

TI PROVIDES TECHNICAL AND RELIABILITY DATA (INCLUDING DATASHEETS), DESIGN RESOURCES (INCLUDING REFERENCE DESIGNS), APPLICATION OR OTHER DESIGN ADVICE, WEB TOOLS, SAFETY INFORMATION, AND OTHER RESOURCES "AS IS" AND WITH ALL FAULTS, AND DISCLAIMS ALL WARRANTIES, EXPRESS AND IMPLIED, INCLUDING WITHOUT LIMITATION ANY IMPLIED WARRANTIES OF MERCHANTABILITY, FITNESS FOR A PARTICULAR PURPOSE OR NON-INFRINGEMENT OF THIRD PARTY INTELLECTUAL PROPERTY RIGHTS.

These resources are intended for skilled developers designing with TI products. You are solely responsible for (1) selecting the appropriate TI products for your application, (2) designing, validating and testing your application, and (3) ensuring your application meets applicable standards, and any other safety, security, regulatory or other requirements.

These resources are subject to change without notice. TI grants you permission to use these resources only for development of an application that uses the TI products described in the resource. Other reproduction and display of these resources is prohibited. No license is granted to any other TI intellectual property right or to any third party intellectual property right. TI disclaims responsibility for, and you fully indemnify TI and its representatives against any claims, damages, costs, losses, and liabilities arising out of your use of these resources.

TI's products are provided subject to [TI's Terms of Sale](#), [TI's General Quality Guidelines](#), or other applicable terms available either on ti.com or provided in conjunction with such TI products. TI's provision of these resources does not expand or otherwise alter TI's applicable warranties or warranty disclaimers for TI products. Unless TI explicitly designates a product as custom or customer-specified, TI products are standard, catalog, general purpose devices.

TI objects to and rejects any additional or different terms you may propose.

Copyright © 2025, Texas Instruments Incorporated

Last updated 10/2025