

SN75LVCP600 6-Gbps SATA PCB and Cable Equalizer

1 Features

- SATA Express Support
- Selectable Equalization and De-Emphasis
- Hot Plug Capable
- Receiver Detect and OOB Support
- Multirate Operation: 1.5 Gbps, 3 Gbps, and 6 Gbps
- Suitable to Receive 6-Gbps Data Over Up to 40 Inches (1 Meter) of FR4
- Compensates Up to 14-dB Loss on the Receive Side and 1.2-dB Loss on the Transmit Side at 3 GHz
- Integrated Output Squelch
- Auto Low Power Feature Lowers Power by > 90%
 - < 100 mW (Active Mode, Typical)
 - < 11 mW (Auto Low Power Mode, Typical)
- Single 3.3-V Supply
- High Protection Against ESD Transient
 - HBM: 6 kV
 - CDM: 1.5 kV
- Ultra-Small Footprint: 2 mm × 2 mm WSON Package

2 Applications

- Notebooks
- Desktops
- Docking Stations
- Servers
- Workstations

3 Description

The SN75LVCP600 is a versatile single channel, SATA Express signal conditioner supporting data rates up to 6 Gbps. The device supports SATA Gen 1, 2, and 3 specifications as well as PCIe 1.0, 2.0, and 3.0. The SN75LVCP600 operates from a single 3.3-V supply and has 100-Ω line termination with self-biasing feature, making the device suitable for AC coupling. The inputs incorporate an out-of-band (OOB) detector, which automatically squelches the output when the input differential voltage falls below threshold while maintaining a stable common-mode voltage. The device is also designed to handle spread spectrum clocking (SSC) transmission per SATA standard.

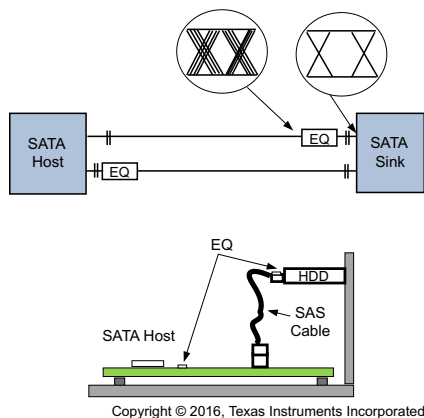
The SN75LVCP600 handles interconnect losses at its input with selectable equalization settings that can be programmed to match the loss in the channel. For data rates of 3 Gbps and lower the SN75LVCP600 equalizes signals for a span of up to 50 inches of FR4 board material. For data rates of 8 Gbps the device compensates up to 40 in of FR4 material. The equalization level is controlled by the setting of the signal control pin EQ.

Device Information⁽¹⁾

PART NUMBER	PACKAGE	BODY SIZE (NOM)
SN75LVCP600	WSON (8)	2.00 mm × 2.00 mm

(1) For all available packages, see the orderable addendum at the end of the data sheet.

Typical Application



Data Flow Block Diagram

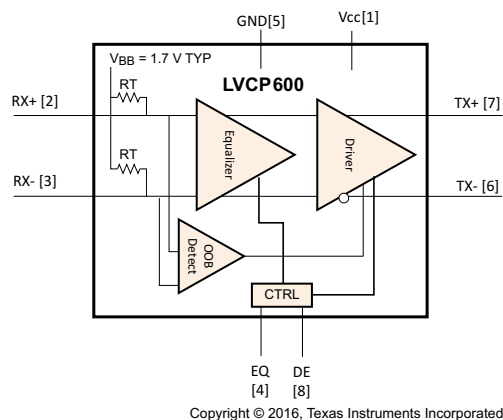


Table of Contents

1 Features	1	9.3 Feature Description	10
2 Applications	1	9.4 Device Functional Modes	11
3 Description	1	10 Application and Implementation	12
4 Revision History	2	10.1 Application Information	12
5 Description (continued)	3	10.2 Typical Application	12
6 Pin Configuration and Functions	3	11 Power Supply Recommendations	15
7 Specifications	4	12 Layout	16
7.1 Absolute Maximum Ratings	4	12.1 Layout Guidelines	16
7.2 ESD Ratings	4	12.2 Layout Example	18
7.3 Recommended Operating Conditions	4	13 Device and Documentation Support	20
7.4 Thermal Information	4	13.1 Device Support	20
7.5 Electrical Characteristics	4	13.2 Receiving Notification of Documentation Updates	20
7.6 Timing Requirements	6	13.3 Community Resources	20
7.7 Typical Characteristics	8	13.4 Trademarks	20
8 Parameter Measurement Information	9	13.5 Electrostatic Discharge Caution	20
9 Detailed Description	10	13.6 Glossary	20
9.1 Overview	10	14 Mechanical, Packaging, and Orderable Information	20
9.2 Functional Block Diagram	10		

4 Revision History

Changes from Original (December 2010) to Revision A

Page

<ul style="list-style-type: none"> Added Device Information table, ESD Ratings table, <i>Feature Description</i> section, <i>Device Functional Modes</i>, <i>Application and Implementation</i> section, <i>Power Supply Recommendations</i> section, <i>Layout</i> section, <i>Device and Documentation Support</i> section, and <i>Mechanical, Packaging, and Orderable Information</i> section. 	1
<ul style="list-style-type: none"> Changed RX+ from I, VML to I, CML in <i>Pin Functions</i> table 	3
<ul style="list-style-type: none"> Changed Noninverting and inverting VML differential inputs to Noninverting and inverting CML differential inputs in the <i>Pin Functions</i> table Description 	3
<ul style="list-style-type: none"> Changed RX- from I, VML to I, CML in <i>Pin Functions</i> table 	3
<ul style="list-style-type: none"> Changed TX+ from I, VML to O, VML in <i>Pin Functions</i> table 	3
<ul style="list-style-type: none"> Changed TX- from I, VML to O, VML in <i>Pin Functions</i> table 	3
<ul style="list-style-type: none"> Added <i>Parameter Measurement Information</i> section 	9
<ul style="list-style-type: none"> Changed RX to Rx0. in Figure 7 	9

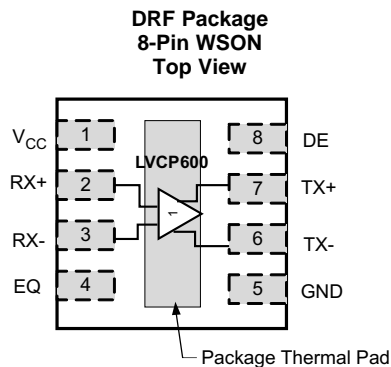
5 Description (continued)

Two de-emphasis levels can be selected on the transmit side to provide 0 dB or 1.2 dB of additional high-frequency loss compensation at the output.

The device is hot-plug capable⁽¹⁾ preventing device damage under device *hot*-insertion such as async signal plug and removal, unpowered plug and removal, powered plug and removal, or surprise plug and removal.

(1) Requires use of AC coupling capacitors at differential inputs and outputs.

6 Pin Configuration and Functions



Pin Functions

PIN		TYPE ⁽¹⁾	DESCRIPTION
NAME	NO.		
HIGH SPEED DIFFERENTIAL I/O			
RX+	2	I	Noninverting and inverting CML differential inputs. These pins are tied to an internal voltage bias by dual termination resistor circuit.
RX-	3	I	
TX+	7	O	Noninverting and inverting VML differential outputs. These pins are tied to an internal voltage bias by dual termination resistor circuit.
TX-	6	O	
CONTROL PINS			
EQ	4	I	Selects equalization settings per Table 1 . Internally tied to GND.
DE	8	I	Selects de-emphasis settings per Table 1 . Internally tied to GND.
POWER			
V _{CC}	1	P	Positive supply must be 3.3 V ±10%
GND	5	G	Supply ground

(1) G = Ground, I = Input, O = Output, P = Power

7 Specifications

7.1 Absolute Maximum Ratings

over operating free-air temperature range (unless otherwise noted)⁽¹⁾

		MIN	MAX	UNIT
Supply voltage, V_{CC} ⁽²⁾		-0.5	4	V
Voltage	Differential I/O	-0.5	4	V
	Control I/O	-0.5	$V_{CC} + 0.5$	
Storage temperature, T_{stg}		-65	150	°C

- (1) Stresses beyond those listed under Absolute Maximum Ratings may cause permanent damage to the device. These are stress ratings only and functional operation of the device at these or any conditions beyond those indicated under [Recommended Operating Conditions](#) is not implied. Exposure to absolute-maximum-rated conditions for extended periods may affect device reliability.
- (2) All voltage values, except differential voltages, are with respect to network ground pin.

7.2 ESD Ratings

			VALUE	UNIT
$V_{(ESD)}$	Electrostatic discharge	Human body model (HBM), per ANSI/ESDA/JEDEC JS-001, all pins ⁽¹⁾	±6000	V
		Charged device model (CDM), per JEDEC specification JESD22-C101, all pins ⁽²⁾	±1500	

- (1) JEDEC document JEP155 states that 500-V HBM allows safe manufacturing with a standard ESD control process.
- (2) JEDEC document JEP157 states that 250-V CDM allows safe manufacturing with a standard ESD control process.

7.3 Recommended Operating Conditions

typical values for all parameters are at $V_{CC} = 3.3$ V and $T_A = 25^\circ\text{C}$; all temperature limits are specified by design

		MIN	TYP	MAX	UNIT
V_{CC}	Supply voltage	3	3.3	3.6	V
	Coupling capacitor	75	100	200	nF
T_A	Operating free-air temperature	0		85	°C

7.4 Thermal Information

THERMAL METRIC ⁽¹⁾		SN75LVCP600	UNIT
		DRF (WSON)	
		8 PINS	
$R_{\theta JA}$	Junction-to-ambient thermal resistance	97.8	°C/W
$R_{\theta Jctop}$	Junction-to-case (top) thermal resistance	81.9	°C/W
$R_{\theta JB}$	Junction-to-board thermal resistance	65.6	°C/W
Ψ_{JT}	Junction-to-top characterization parameter	1.3	°C/W
Ψ_{JB}	Junction-to-board characterization parameter	65.6	°C/W
$R_{\theta Jcbot}$	Junction-to-case (bottom) thermal resistance	19.1	°C/W

- (1) For more information about traditional and new thermal metrics, see the [Semiconductor and IC Package Thermal Metrics](#) application report.

7.5 Electrical Characteristics

over recommended operating conditions (unless otherwise noted)

PARAMETER		TEST CONDITIONS	MIN	TYP	MAX	UNIT
DEVICE PARAMETERS						
$I_{CCMax-s}$	Active mode supply current	EQ/DE = NC, K28.5 pattern at 6 Gbps, $V_{ID} = 700$ mV _{pp}		29	40	mA
I_{CCPS}	Auto power save mode I_{CC}	When auto low power conditions are met		3.3	5.9	mA
	Maximum data rate				6	Gbps

Electrical Characteristics (continued)

over recommended operating conditions (unless otherwise noted)

PARAMETER		TEST CONDITIONS	MIN	TYP	MAX	UNIT
OOB						
V _{OOB}	Input OOB threshold	F = 750 MHz	50	70	90	mV _{pp}
D _{VdiffOOB}	OOB differential delta				25	mV
D _{VCMOOB}	OOB common-mode delta				50	mV
CONTROL LOGIC						
V _{IH}	High-level input voltage	For all control pins	1.4			V
V _{IL}	Low-level input voltage				0.5	V
V _{INHYS}	Input hysteresis			115		mV
I _{IH}	High-level input current	V _{IH} = V _{CC} (DE/EQ)			20	μA
I _{IL}	Low-level input current	V _{IL} = 0 V (DE/EQ)			10	μA
RECEIVER AC/DC						
Z _{DIFFRX}	Differential input impedance		85	100	115	Ω
Z _{SERX}	Single-ended input impedance		40			Ω
V _{CMRX}	Common-mode voltage			1.7		V
R _{LDiffRX}	Differential mode return loss (RL)	f = 150 MHz to 300 MHz	18	26		dB
		f = 300 MHz to 600 MHz	14	22		
		f = 600 MHz to 1.2 GHz	10	17		
		f = 1.2 GHz to 2.4 GHz	8	12		
		f = 2.4 GHz to 3 GHz	3	11		
R _{XDiffRLSlope}	Differential mode RL slope	f = 300 MHz to 6 GHz (see Figure 7)		-13		dB/dec
R _{LCMRX}	Common-mode return loss	f = 150 MHz to 300 MHz	5	9.4		dB
		f = 300 MHz to 600 MHz	5	17		
		f = 600 MHz to 1.2 GHz	2	18		
		f = 1.2 GHz to 2.4 GHz	1	9.9		
		f = 2.4 GHz to 3 GHz	1	8.6		
V _{diffRX}	Differential input voltage PP	f = 1.5 GHz and 3 GHz	120		1600	mV _{pp}
I _{B RX}	Impedance balance	f = 150 MHz to 300 MHz	30	41		dB
		f = 300 MHz to 600 MHz	30	41		
		f = 600 MHz to 1.2 GHz	20	34		
		f = 1.2 GHz to 2.4 GHz	10	24		
		f = 2.4 GHz to 3 GHz	10	26		
		f = 3 GHz to 5 GHz	4	18		
		f = 5 GHz to 6.5 GHz	4	18		
TRANSMITTER AC/DC						
Z _{diffTX}	Pair differential impedance		85	100	122	Ω
Z _{SETX}	Single-ended input impedance		40			Ω
V _{TXtrans}	Sequencing transient voltage	Transient voltages on the serial data bus during power sequencing (lab load)	-1.2	0.3	1.2	V
R _{LDiffTX}	Differential mode return loss	f = 150 MHz to 300 MHz	13	22		dB
		f = 300 MHz to 600 MHz	8	21		
		f = 600 MHz to 1.2 GHz	6	19		
		f = 1.2 GHz to 2.4 GHz	6	14		
		f = 2.4 GHz to 3 GHz	3	14		
T _{XDiffRLSlope}	Differential mode RL slope	f = 300 MHz to 3 GHz (see Figure 7)		-13		dB/dec

Electrical Characteristics (continued)

over recommended operating conditions (unless otherwise noted)

PARAMETER		TEST CONDITIONS	MIN	TYP	MAX	UNIT
RL _{CMTX}	Common-mode return loss	f = 150 MHz to 300 MHz	5	20		dB
		f = 300 MHz to 600 MHz	5	16		
		f = 600 MHz to 1.2 GHz	2	13		
		f = 1.2 GHz to 2.4 GHz	1	8		
		f = 2.4 GHz to 3 GHz	1	8		
IB _{TX}	Impedance balance	f = 150 MHz to 300 MHz	30	38		dB
		f = 300 MHz to 600 MHz	30	38		
		f = 600 MHz to 1.2 GHz	20	33		
		f = 1.2 GHz to 2.4 GHz	10	25		
		f = 2.4 GHz to 3 GHz	10	25		
		f = 3 GHz to 5 GHz	4	21		
	f = 5 GHz to 6.5 GHz	4	21			
Diff _{VppTX}	Differential output voltage swing	f = 3 GHz (under no interconnect loss)	400	650	900	mV _{pp}
VCM _{AC_TX}	TX AC CM voltage	At 1.5 GHz		15	50	mV _{pp}
		At 3 GHz		10	26	dBmV (rms)
		At 6 GHz		12	30	dBmV (rms)
VCM _{TX}	Common-mode voltage		1.7		V	
TRANSMITTER JITTER⁽¹⁾						
DJ _{TX}	Residual deterministic jitter	VID = 500 mV _{pp} , UI = 333 ps, K28.5 control character, see Figure 8		0.12	0.19	UI _{pp}
RJ _{TX}	Random jitter	VID = 500 mV _{pp} , UI = 333 ps, K28.7 control character, see Figure 8		1	2	ps-rms
DJ _{TX}	Residual deterministic jitter	VID = 500 mV _{pp} , UI = 167 ps, K28.5 control character, see Figure 8		0.12	0.34	UI _{pp}
RJ _{TX}	Random jitter	VID = 500 mV _{pp} , UI = 167 ps, K28.7 control character, see Figure 8		0.95	2	ps-rms

(1) $T_J = (14.1 \times RJ_{SD} + DJ)$ where RJ_{SD} is one standard deviation value of RJ Gaussian distribution. Jitter measurement is at the SATA connector and includes jitter generated at the package connection on the printed-circuit board, and at the board interconnect as shown in [Figure 8](#).

7.6 Timing Requirements

			MIN	TYP	MAX	UNIT
DEVICE PARAMETERS						
t _{PDelay}	Propagation delay	Measured using K28.5 pattern (see Figure 1)		275	350	ps
AutoLP _{ENTRY}	Auto low power entry time	Electrical idle at input (see Figure 3)		11		μs
AutoLP _{EXIT}	Auto low power exit time	After first signal activity (see Figure 3)		33	50	ns
OOB						
t _{OOB1}	OOB mode enter	See Figure 2		1	5	ns
t _{OOB2}	OOB mode exit	See Figure 2		1	5	ns
RECEIVER AC/DC						
t _{20-80RX}	Rise and fall time	Rise times and fall times measured between 20% and 80% of the signal. SATA 3 Gbps speed measured 1" from device pin.	62		75	ps
t _{skewRX}	Differential skew	Difference between the single-ended mid-point of the RX+ signal rising and falling edge, and the single-ended mid-point of the RX- signal falling and rising edge.			30	ps
TRANSMITTER AC/DC						

Timing Requirements (continued)

			MIN	TYP	MAX	UNIT
$t_{20-80TX}$	Rise and fall time	Rise times and fall times measured between 20% and 80% of the signal. At 3 Gbps under no load conditions measured at the pin.	44	58	85	ps
t_{skewTX}	Differential skew	Difference between the single-ended mid-point of the TX+ signal rising edge and falling edge, and the single-ended mid-point of the TX- signal falling edge and rising edge, $D1, D0 = V_{CC}$		2	15	ps
$t_{xR/Fimb}$	TX rise and fall imbalance	At 3 Gbps		6%	20%	
$t_{xAmpImb}$	TX amplitude imbalance			1%	10%	
TRANSMITTER JITTER						
	Rise and Fall time		46.5%	47.5%	48.3%	
	Rise and Fall mismatch		1.5%	3%		

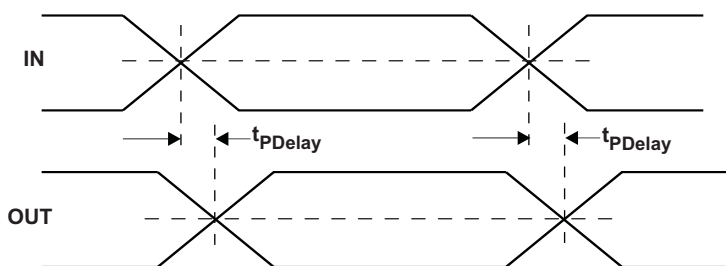


Figure 1. Propagation Delay Timing Diagram

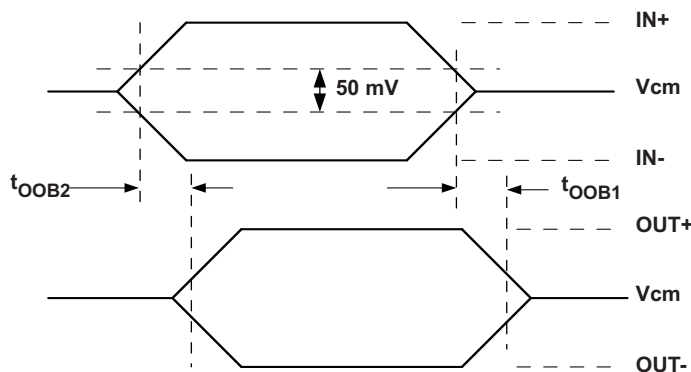


Figure 2. OOB Enter and Exit Timing

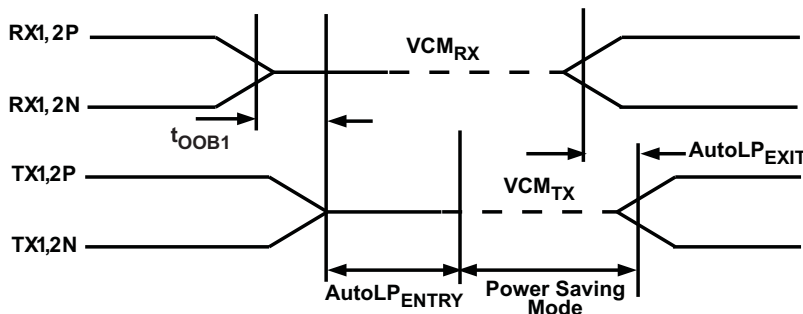
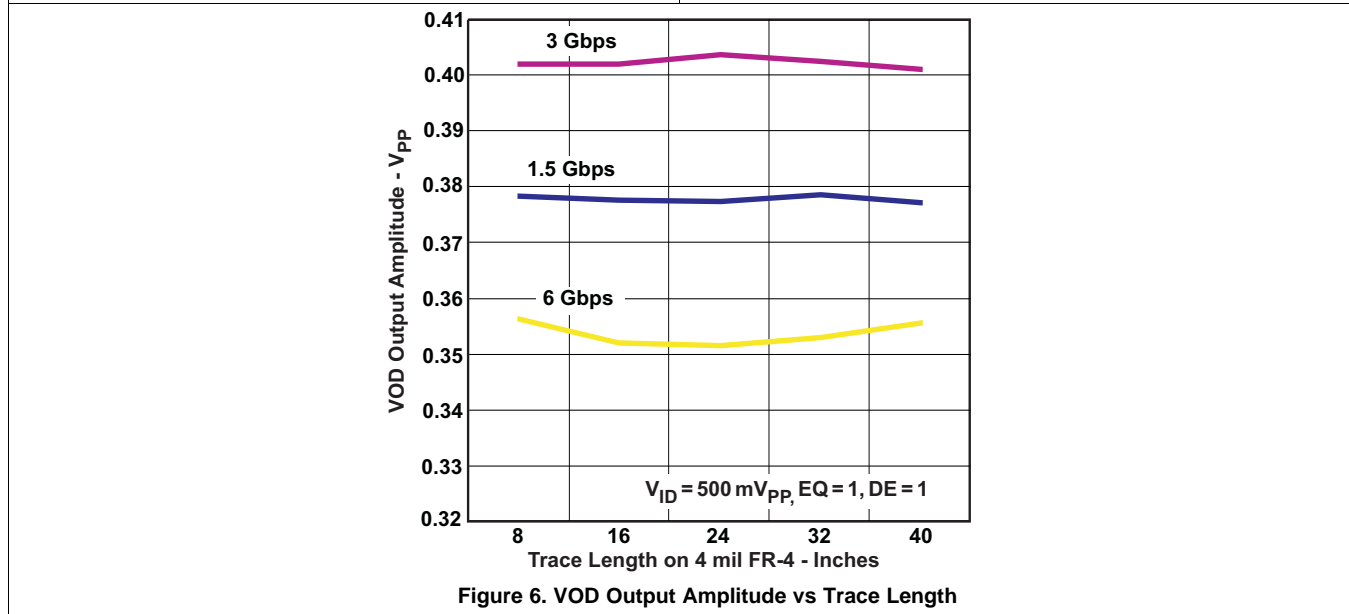
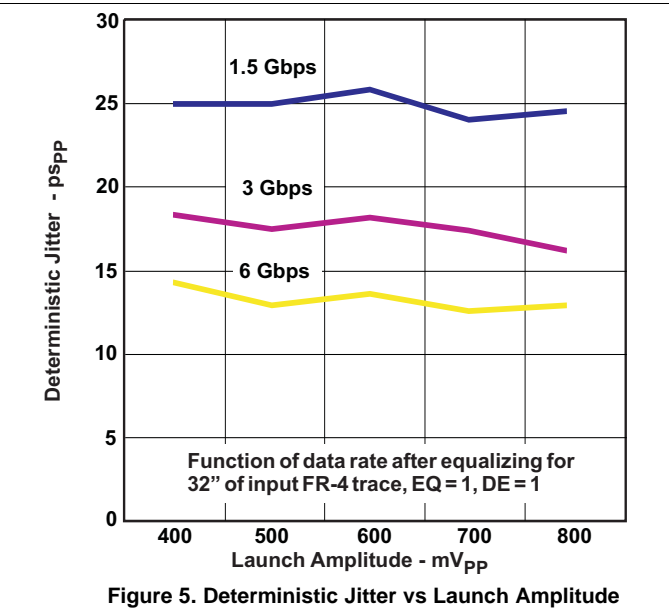
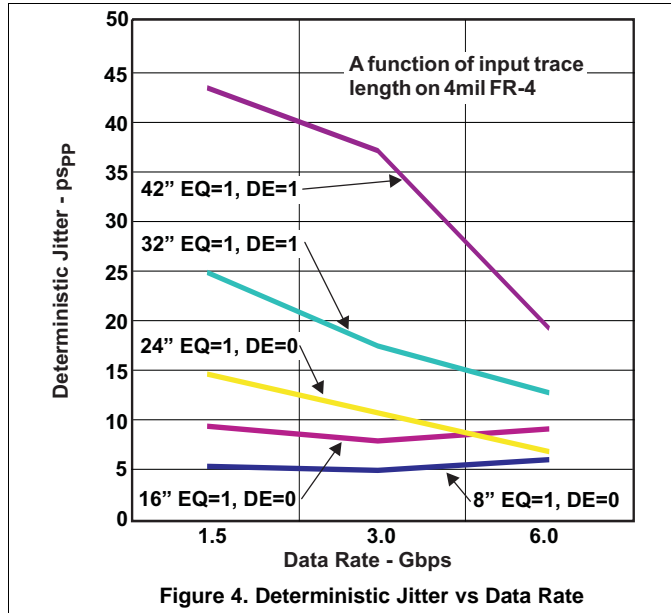


Figure 3. Auto Low Power Mode Entry and Exit Timing

7.7 Typical Characteristics



8 Parameter Measurement Information

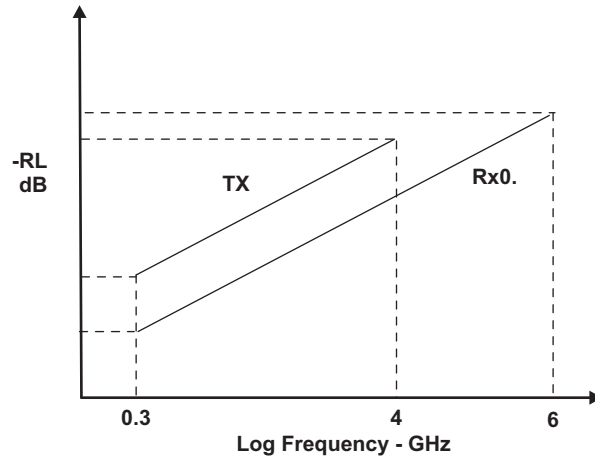


Figure 7. TX, RX Differential Return Loss Limits

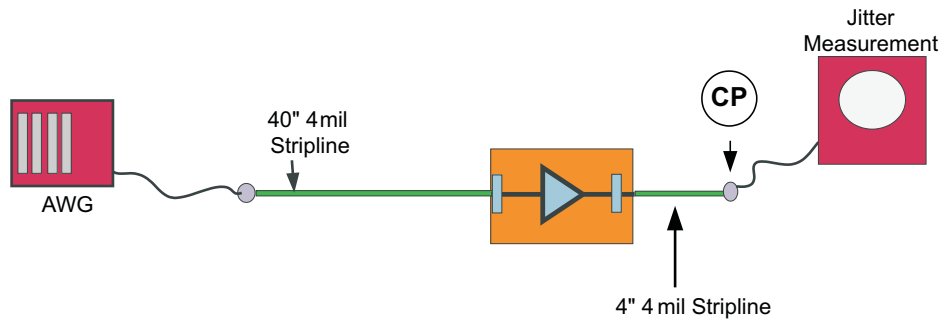


Figure 8. Jitter Measurement Test Condition

9 Detailed Description

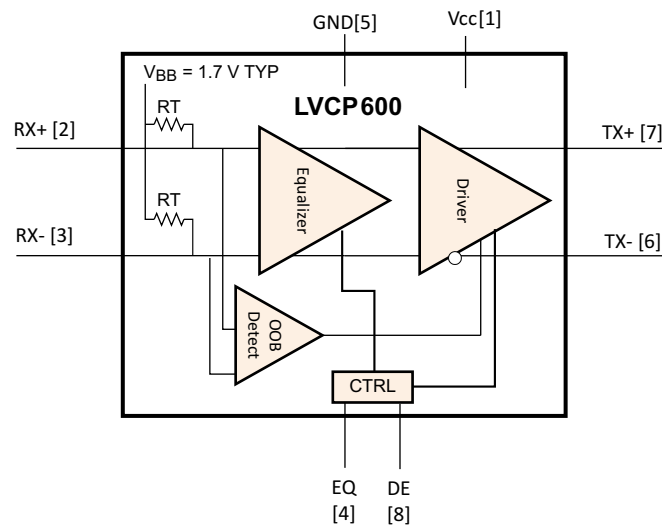
9.1 Overview

The SN75LVCP600 is a single-channel, SATA Express, and PCIe signal conditioner supporting data rates up to 6 Gbps. The device supports SATA Gen 1, 2, and 3 specifications as well as PCIe 1, 2, and 3. The SN75LVCP600 operates from a single 3.3-V supply and has 100-Ω line termination with self-biasing feature, making the device suitable for AC coupling. The inputs incorporate an out-of-band (OOB) detector, which automatically squelches the output when the input differential voltage falls below threshold while maintaining a stable common-mode voltage. The device is also designed to handle spread spectrum clocking (SSC) transmission per SATA standard. The SN75LVCP600 handles interconnect losses at its input with selectable equalization settings that are programmable to match the loss in the channel.

For data rates of 3 Gbps and lower the SN75LVCP600 equalizes signals for a span of up to 50 inches of FR4. For data rates of 8 Gbps the device compensates up to 40 inches of FR4.

The device is hot-plug capable preventing device damage under device *hot*-insertion such as async signal plug or removal, unpowered plug or removal, powered plug or removal, or surprise plug or removal.

9.2 Functional Block Diagram



Copyright © 2016, Texas Instruments Incorporated

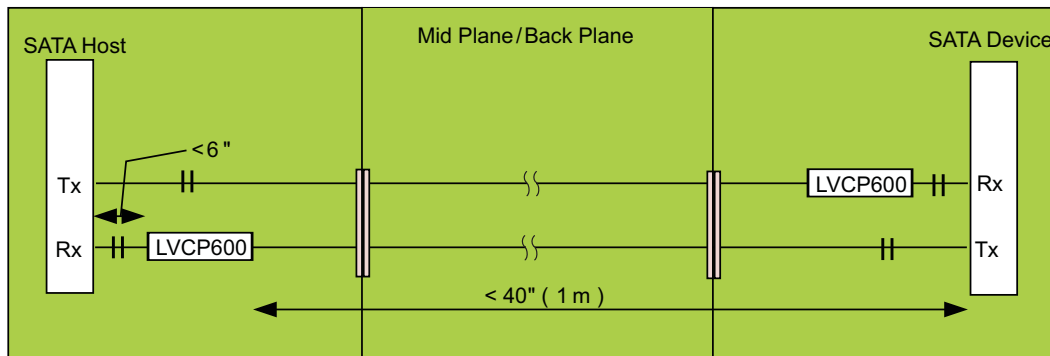
9.3 Feature Description

9.3.1 Input Equalization

The SN75LVCP600 supports programmable equalization in its front stage; [Table 1](#) lists the equalization settings. The input equalizer is designed to recover a signal even when no eye is present at the receiver and effectively supports FR4 trace at the input anywhere from 4" to 40" at SATA 6G speed.

Table 1. EQ and DE Settings

EQ	EQUALIZATION (at 6 Gbps)	DE	DE-EMPHASIS (at 6 Gbps)
0 (default)	7 dB	0 (default)	0 dB
1	14 dB	1	-1.2 dB



Note:

Trace lengths are suggested values based on TI HSPICE simulations (done over programmable limits of input EQ) to meet SATA loss and jitter spec.

Actual trace length supported by the LVCP600 may be more or less than suggested values and will depend on board layout, trace widths and number of connectors used in the high speed signal path.

Figure 9. Trace Length Example

9.3.2 Auto Low Power (ALP) Mode

Auto Low Power (ALP) Mode is triggered when a channel is in the electrical idle state for $> 10 \mu\text{s}$. The device enters and exits Low Power Mode by actively monitoring input signal ($V_{ID_{pp}}$) level. When the input signal is in the electrical idle state, that is, $V_{ID_{pp}} < 50 \text{ mV}$ and stays in this state for $> 10 \mu\text{s}$, the device automatically enters the low power state. In this state the output is driven to VCM and the device selectively shuts off internal circuitry to lower power by $> 90\%$ of its normal operating power. While in ALP mode the device continues actively to monitor input signal levels. When the input signal exceeds the SATA OOB upper threshold level, the device reverts to the active state. Exit time from Auto Low Power Mode is $< 50 \text{ ns}$ (maximum). See [Auto Low Power](#).

9.3.3 Out-of-Band (OOB) Support

The squelch detector circuit within the device enables full detection of OOB signaling as specified in the SATA spec. When differential signal amplitude at the receiver input is 50 mV_{pp} or less, the output is squelched. Differential signal amplitude of 90 mV_{pp} or more is detected as an activity and therefore passed to the output indicating activity. Squelch circuit ON/OFF time is 5 ns (maximum). While in squelch mode outputs are held to VCM.

9.4 Device Functional Modes

9.4.1 Active

Active mode is the normal operating mode. When power is applied to the device, and the differential input signal to the receiver is greater than 90 mV_{pp} , the device is in active mode and meets all the specifications in the data sheet.

9.4.2 Squelch

When the device is powered, and the differential input signal to the receiver is less than 50 mV_{pp} , the device is in squelch mode. In squelch mode the transmitter outputs are both set to $V_{CM_{TX}}$ or 1.7 V .

9.4.3 Auto Low Power

When the device is powered and the differential input signal to the receiver has been less than 50 mV_{pp} for greater than 10 ns , the device transitions to Auto Low Power (ALP) mode. In ALP, the transmitter outputs are both set to $V_{CM_{TX}}$. In addition, while in ALP, the device shuts off internal circuitry to lower power to less than 10% of the power in the Active mode.

10 Application and Implementation

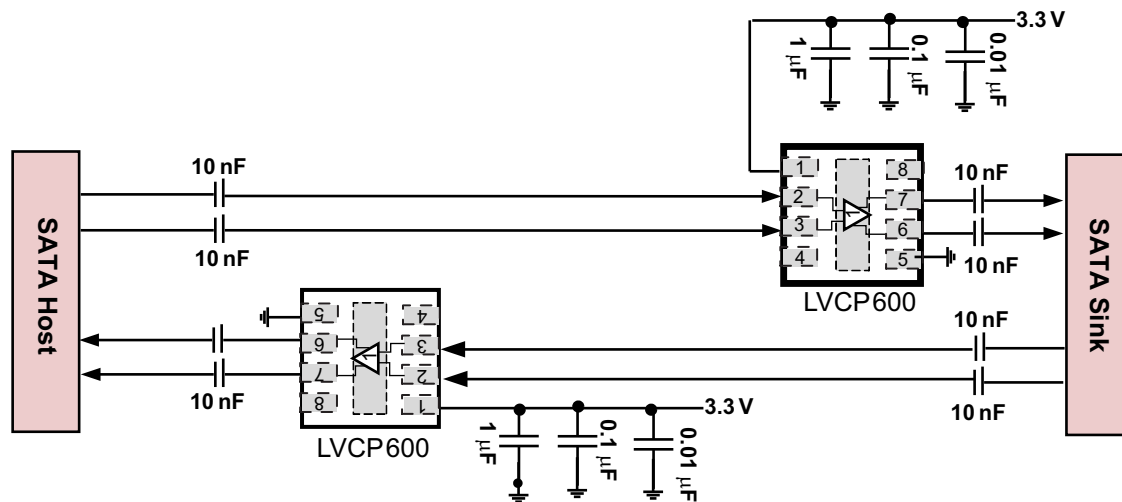
NOTE

Information in the following applications sections is not part of the TI component specification, and TI does not warrant its accuracy or completeness. TI's customers are responsible for determining suitability of components for their purposes. Customers should validate and test their design implementation to confirm system functionality.

10.1 Application Information

The SN75LVCP600 is a single-channel SATA redriver and signal conditioner supporting data rates up to 6 Gbps. The inputs incorporate an out-of-band (OOB) detector, which automatically squelches the output while maintaining a stable common-mode voltage compliant to the SATA link.

10.2 Typical Application



Note:

- 1) Place supply caps close to device pin
- 2) EQ and DE selection at 7 dB and 0dB respectively
- 3) Actual EQ /DE settings will depend on device placement relative to host and SATA connector

Copyright © 2016, Texas Instruments Incorporated

Figure 10. Typical Device Implementation

10.2.1 Design Requirements

This design requires layout flexibility to place 0-Ω resistors. If a redriver is needed, go to step 3 in [Detailed Design Procedure](#).

Table 2. Design Parameters

DESIGN PARAMETER	VALUE
V _{CC}	3.3 V
I _{CC}	29 mA
Input voltage	120 mV _{pp} to 1.6 V _{pp}
Output voltage	400 mV _{pp} to 900 mV _{pp}

10.2.2 Detailed Design Procedure

The LVCP600 allows the user to take the guess work of using a signal conditioning device in a SATA link. With the SN75LVCP600, the user has the option to use or remove the device based on signal conditioning needs. See Figure 11.

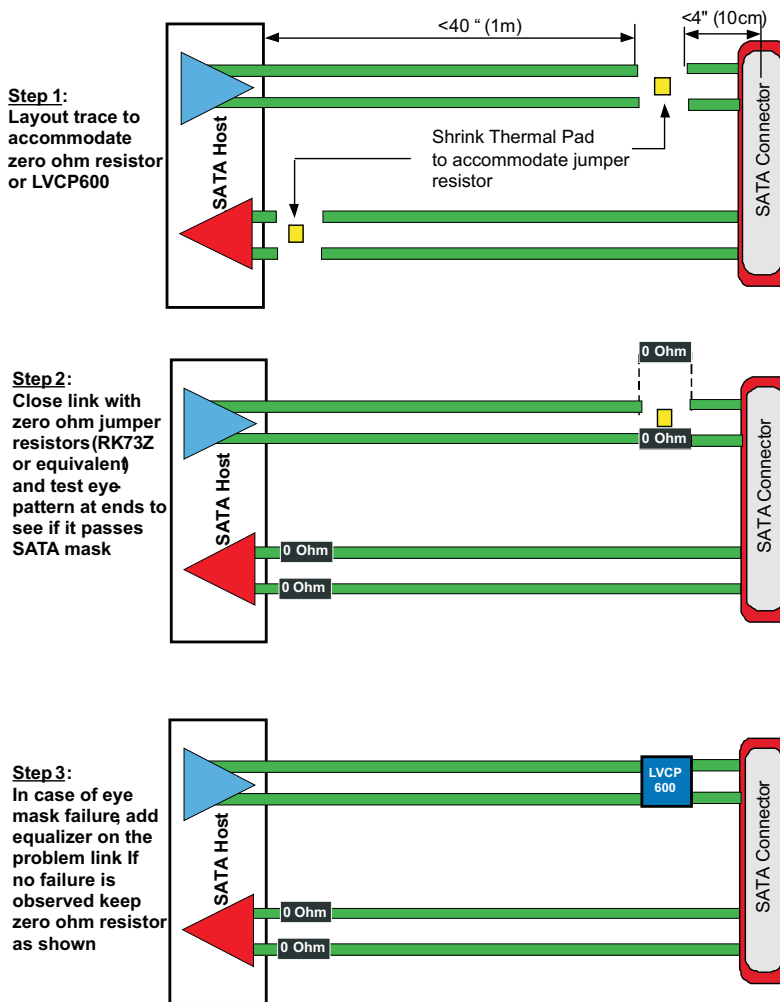


Figure 11. Implementation Guideline

Figure 13 through Figure 22 show SN75LVCP600 typical performance plots when connected to various trace lengths with $V_{CC} = 3.3\text{ V}$ and $T_A = 25^\circ\text{C}$. All eye diagrams measured using K28.5 pattern at 6 Gbps. Figure 12 shows the setup for the performance plots in Application Curves.

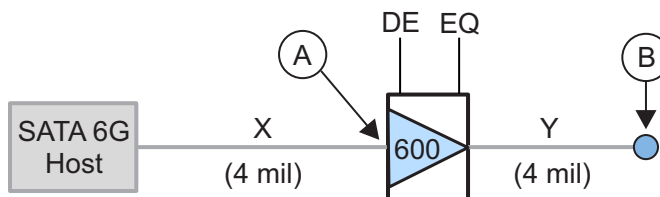


Figure 12. Test Points

10.2.3 Application Curves

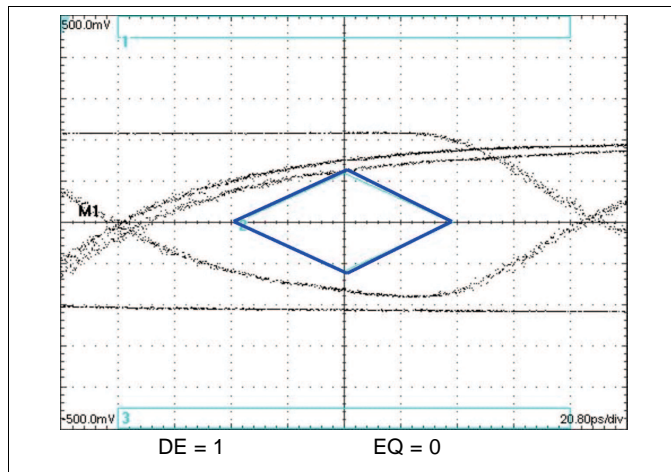


Figure 13. Eye Pattern at A → X = 8"; Y = 2"

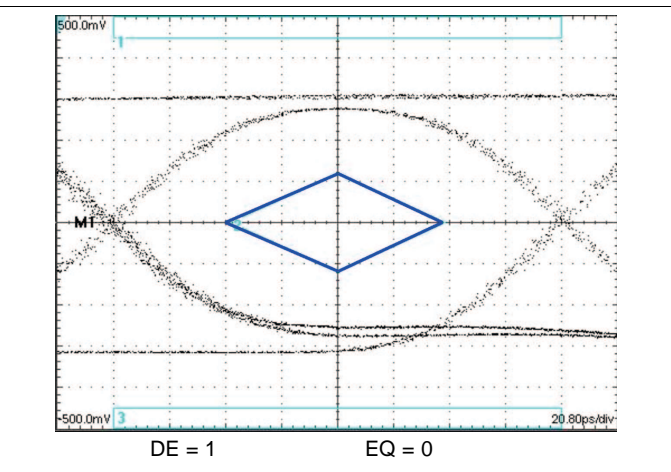


Figure 14. Eye Pattern at B → X = 8"; Y = 2"

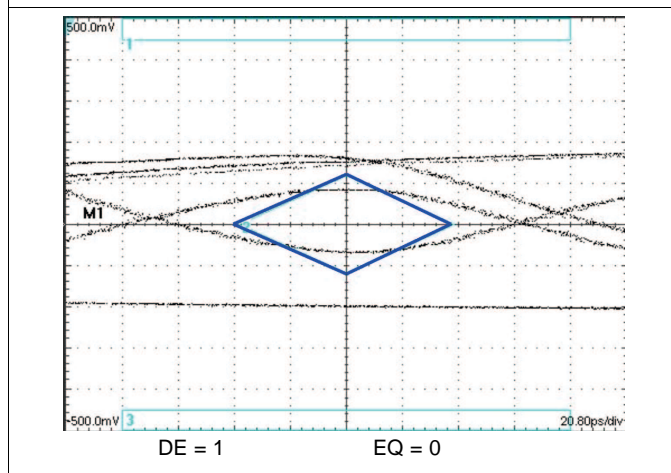


Figure 15. Eye Pattern at A → X = 16"; Y = 2"

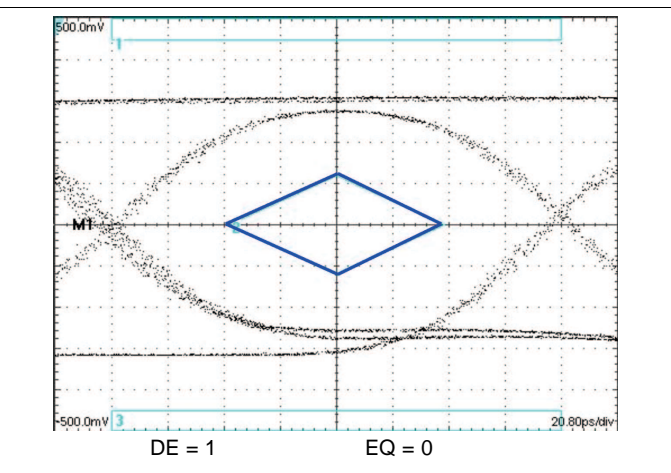


Figure 16. Eye Pattern at B → X = 16"; Y = 2"

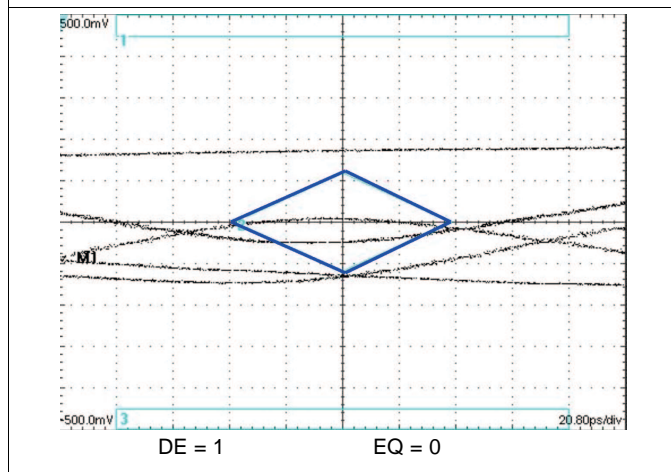


Figure 17. Eye Pattern at A → X = 24"; Y = 2"

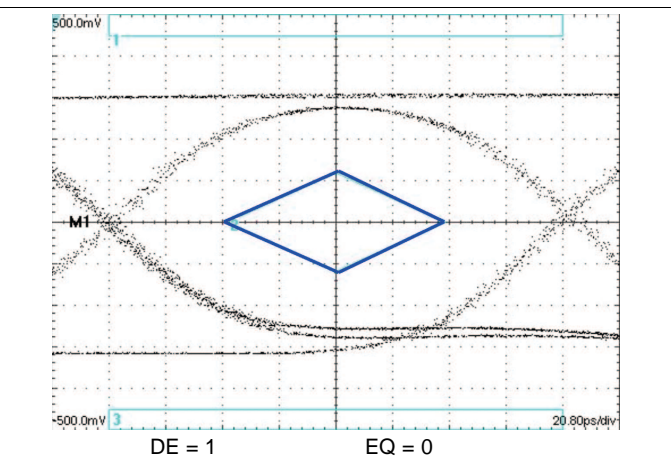


Figure 18. Eye Pattern at B → X = 24"; Y = 2"

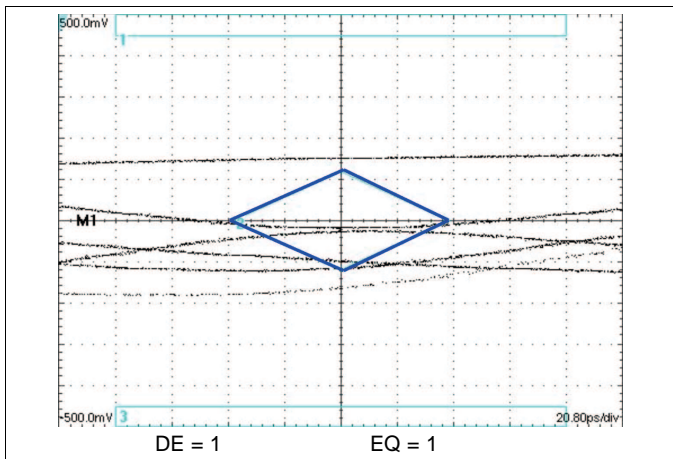


Figure 19. Eye Pattern at A → X = 32"; Y = 2"

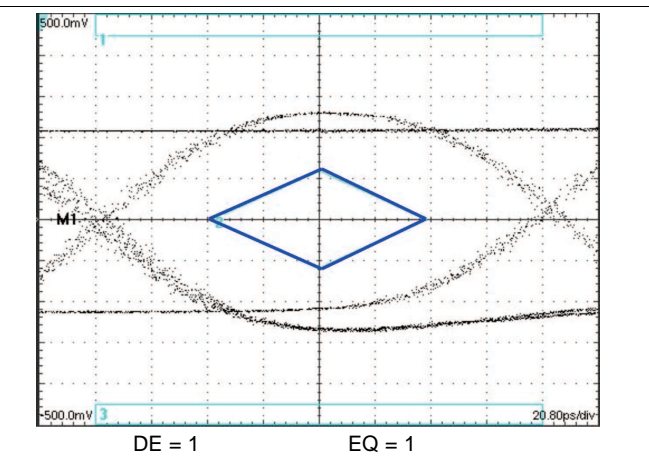


Figure 20. Eye Pattern at B → X = 32"; Y = 2"

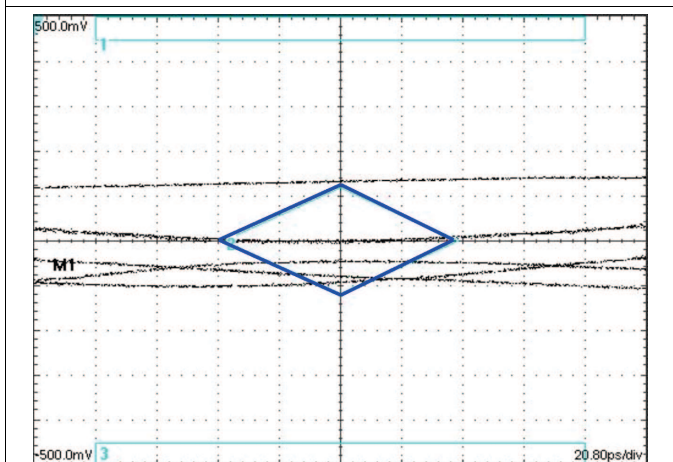


Figure 21. Eye Pattern at A → X = 40"; Y = 2"

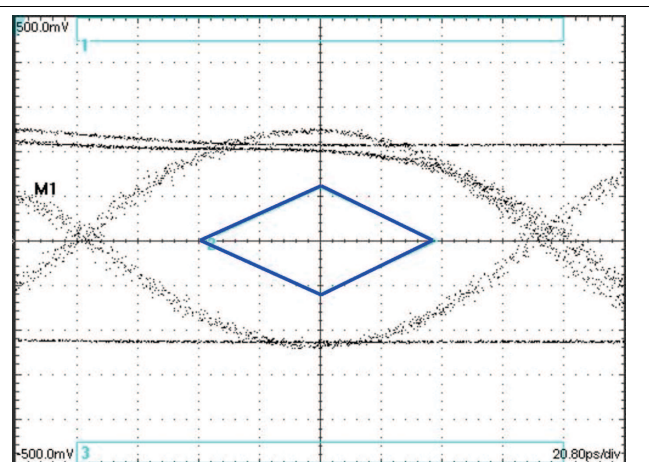


Figure 22. Eye Pattern at B → X = 40"; Y = 2"

11 Power Supply Recommendations

The SN75LVCP600 is designed to operate from a single 3.3-V supply. Always practice proper power-supply sequencing procedure. Apply V_{CC} first before any input signals are applied to the device. The power-down sequence is in reverse order.

12 Layout

12.1 Layout Guidelines

12.1.1 Return Current and Plane References

High frequency return signal/current is defined as the path that a signal follows back to its original source as all signals flow in a closed loop. Minimizing the loop area of the closed loop is beneficial for both EMI (Electro-Magnetic Interference) reduction and signal integrity.

The best way to minimize loop area is to always have a signal reference their nearest solid ground or power plane. Obstructions to the return signal causes signal integrity problems like reflections, crosstalk, undershoot and overshoot.

Signals can reference either power or ground planes, but ground is preferred. Without solid plane references, single ended and differential impedance control is very hard to accomplish; crosstalk to other signals may happen as the return signals have no other path. This type of crosstalk is difficult to troubleshoot.

Symmetric pairing of solid planes in the layer stackup can significantly reduce warping of the PCB during the manufacturing process. Warping of the PCB is crucial to minimize on boards that uses BGA components.

12.1.2 Split Planes – What to Avoid

Never route signals over splits in their perspective reference planes.

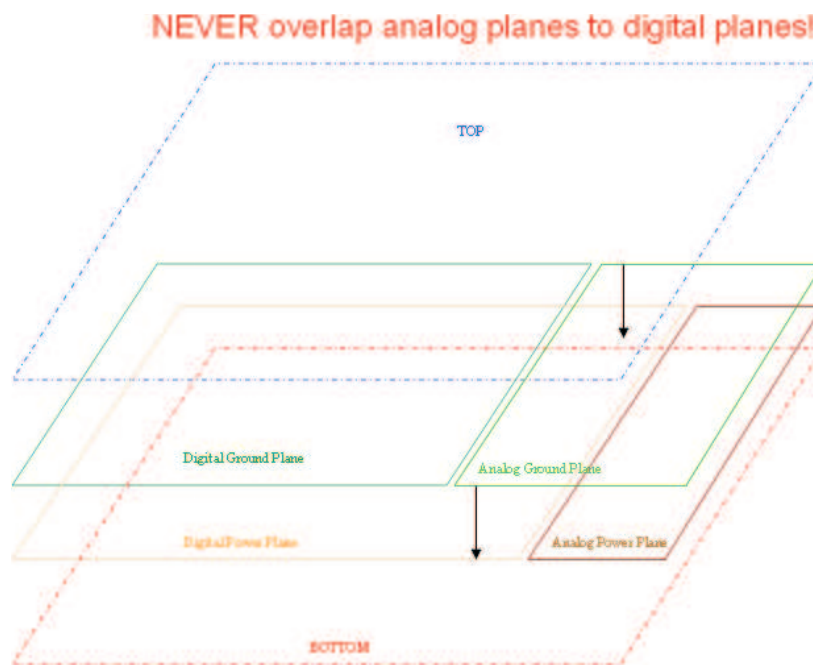


Figure 23. Overlapping Analog and Digital Planes

Layout Guidelines (continued)

This type of routing will compromise signal integrity!!

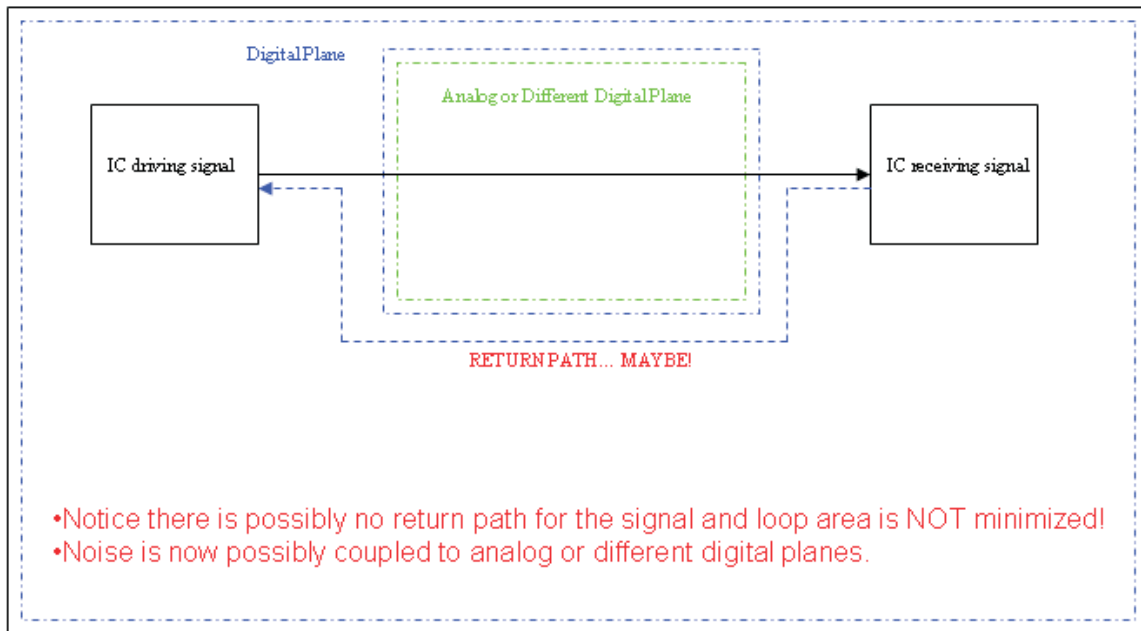


Figure 24. Incorrect Routing

Proper way to route AROUND splits in planes

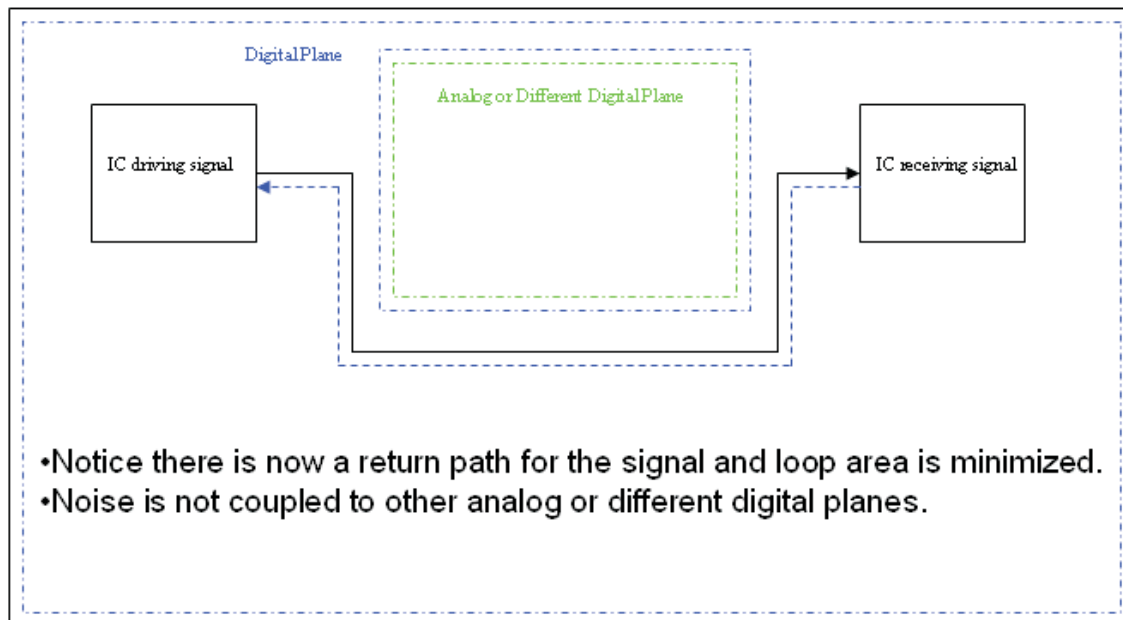


Figure 25. Proper Routing

Layout Guidelines (continued)

12.1.3 Avoiding Crosstalk

Crosstalk is defined as interference from one trace to another by either or both inductive and capacitive coupling. Best ways to avoid crosstalk are:

- Provide stable reference planes for all high speed signals (as noted in previous sections).
- Use the 3W rule (3 times the width of trace for separation) where applicable on all signals, but absolutely use on clock signals.
- Use ground traces/guards around either *victim* or *aggressor* signals prone to crosstalk.
- When space is constrained and limited on areas of the PCB to route parallel buses, series or end termination resistors can be used to route traces closer than what is normally recommended. However, calculations and simulations must be done to validate the use of series or end termination resistors to eliminate crosstalk.

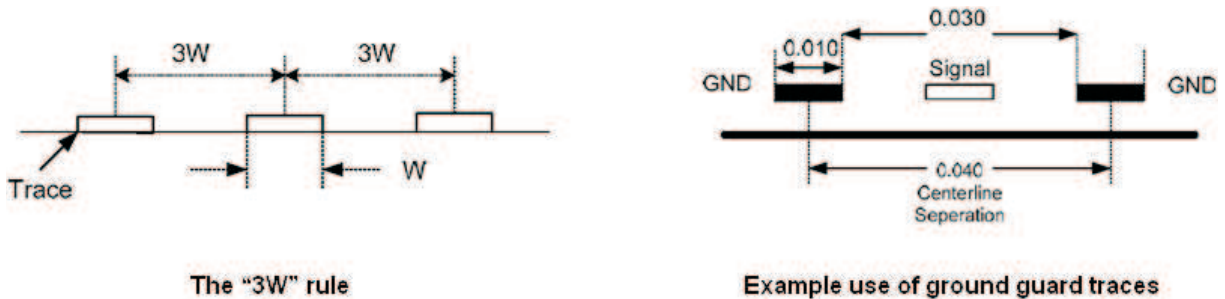


Figure 26. Ways to Avoid Crosstalk

12.2 Layout Example

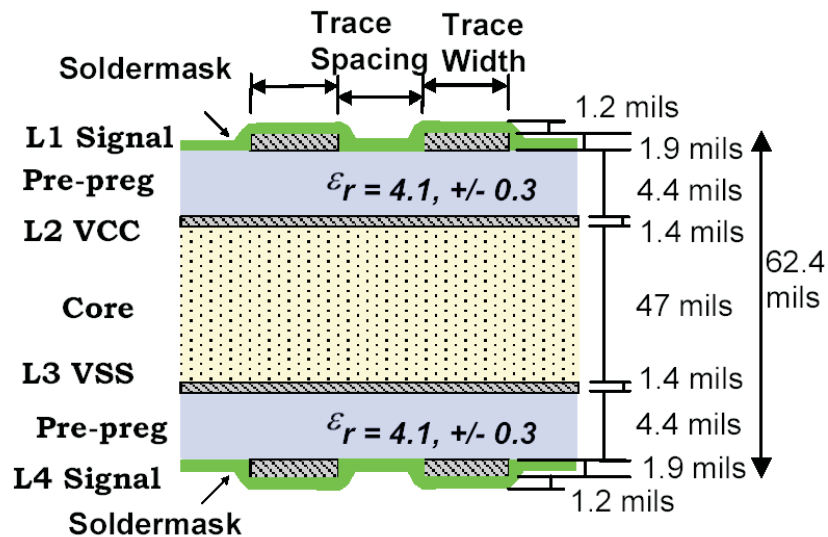


Figure 27. Printed-Circuit Board Stackup (FR-4 Example)

Layout Example (continued)

4 Layer

Layer 1	(Top)
Layer 2	(GND)
Layer 3	(PWR)
Layer 4	(Bottom)

6 Layer

Layer 1	(Top)
Layer 2	(GND)
Layer 3	(Signal)
Layer 4	(Signal)
Layer 5	(PWR)
Layer 6	(Bottom)

10 Layer

Layer 1	(Top)
Layer 2	(GND)
Layer 3	(Signal)
Layer 4	(Signal)
Layer 5	(PWR)
Layer 6	(GND)
Layer 7	(Signal)
Layer 8	(Signal)
Layer 9	(GND)
Layer 10	(Bottom)

PCB layer configuration suggestions for stackup symmetry and signal integrity.

Figure 28. PCB Layer Configuration Suggestions

13 Device and Documentation Support

13.1 Device Support

13.1.1 Third-Party Products Disclaimer

TI'S PUBLICATION OF INFORMATION REGARDING THIRD-PARTY PRODUCTS OR SERVICES DOES NOT CONSTITUTE AN ENDORSEMENT REGARDING THE SUITABILITY OF SUCH PRODUCTS OR SERVICES OR A WARRANTY, REPRESENTATION OR ENDORSEMENT OF SUCH PRODUCTS OR SERVICES, EITHER ALONE OR IN COMBINATION WITH ANY TI PRODUCT OR SERVICE.

13.2 Receiving Notification of Documentation Updates

To receive notification of documentation updates, navigate to the device product folder on ti.com. In the upper right corner, click on *Alert me* to register and receive a weekly digest of any product information that has changed. For change details, review the revision history included in any revised document.

13.3 Community Resources

The following links connect to TI community resources. Linked contents are provided "AS IS" by the respective contributors. They do not constitute TI specifications and do not necessarily reflect TI's views; see TI's [Terms of Use](#).

TI E2E™ Online Community *TI's Engineer-to-Engineer (E2E) Community*. Created to foster collaboration among engineers. At e2e.ti.com, you can ask questions, share knowledge, explore ideas and help solve problems with fellow engineers.

Design Support *TI's Design Support* Quickly find helpful E2E forums along with design support tools and contact information for technical support.

13.4 Trademarks

E2E is a trademark of Texas Instruments.
All other trademarks are the property of their respective owners.

13.5 Electrostatic Discharge Caution



This integrated circuit can be damaged by ESD. Texas Instruments recommends that all integrated circuits be handled with appropriate precautions. Failure to observe proper handling and installation procedures can cause damage.

ESD damage can range from subtle performance degradation to complete device failure. Precision integrated circuits may be more susceptible to damage because very small parametric changes could cause the device not to meet its published specifications.

13.6 Glossary

[SLYZ022](#) — *TI Glossary*.

This glossary lists and explains terms, acronyms, and definitions.

14 Mechanical, Packaging, and Orderable Information

The following pages include mechanical, packaging, and orderable information. This information is the most current data available for the designated devices. This data is subject to change without notice and revision of this document. For browser-based versions of this data sheet, refer to the left-hand navigation.

PACKAGING INFORMATION

Orderable part number	Status (1)	Material type (2)	Package Pins	Package qty Carrier	RoHS (3)	Lead finish/ Ball material (4)	MSL rating/ Peak reflow (5)	Op temp (°C)	Part marking (6)
SN75LVCP600DRFR	Active	Production	WSON (DRF) 8	3000 LARGE T&R	Yes	NIPDAU	Level-2-260C-1 YEAR	0 to 85	600
SN75LVCP600DRFR.B	Active	Production	WSON (DRF) 8	3000 LARGE T&R	Yes	NIPDAU	Level-2-260C-1 YEAR	0 to 85	600
SN75LVCP600DRFT	Active	Production	WSON (DRF) 8	250 SMALL T&R	Yes	NIPDAU	Level-2-260C-1 YEAR	0 to 85	600
SN75LVCP600DRFT.B	Active	Production	WSON (DRF) 8	250 SMALL T&R	Yes	NIPDAU	Level-2-260C-1 YEAR	0 to 85	600

⁽¹⁾ **Status:** For more details on status, see our [product life cycle](#).

⁽²⁾ **Material type:** When designated, preproduction parts are prototypes/experimental devices, and are not yet approved or released for full production. Testing and final process, including without limitation quality assurance, reliability performance testing, and/or process qualification, may not yet be complete, and this item is subject to further changes or possible discontinuation. If available for ordering, purchases will be subject to an additional waiver at checkout, and are intended for early internal evaluation purposes only. These items are sold without warranties of any kind.

⁽³⁾ **RoHS values:** Yes, No, RoHS Exempt. See the [TI RoHS Statement](#) for additional information and value definition.

⁽⁴⁾ **Lead finish/Ball material:** Parts may have multiple material finish options. Finish options are separated by a vertical ruled line. Lead finish/Ball material values may wrap to two lines if the finish value exceeds the maximum column width.

⁽⁵⁾ **MSL rating/Peak reflow:** The moisture sensitivity level ratings and peak solder (reflow) temperatures. In the event that a part has multiple moisture sensitivity ratings, only the lowest level per JEDEC standards is shown. Refer to the shipping label for the actual reflow temperature that will be used to mount the part to the printed circuit board.

⁽⁶⁾ **Part marking:** There may be an additional marking, which relates to the logo, the lot trace code information, or the environmental category of the part.

Multiple part markings will be inside parentheses. Only one part marking contained in parentheses and separated by a "~" will appear on a part. If a line is indented then it is a continuation of the previous line and the two combined represent the entire part marking for that device.

Important Information and Disclaimer: The information provided on this page represents TI's knowledge and belief as of the date that it is provided. TI bases its knowledge and belief on information provided by third parties, and makes no representation or warranty as to the accuracy of such information. Efforts are underway to better integrate information from third parties. TI has taken and continues to take reasonable steps to provide representative and accurate information but may not have conducted destructive testing or chemical analysis on incoming materials and chemicals. TI and TI suppliers consider certain information to be proprietary, and thus CAS numbers and other limited information may not be available for release.

In no event shall TI's liability arising out of such information exceed the total purchase price of the TI part(s) at issue in this document sold by TI to Customer on an annual basis.

TAPE AND REEL INFORMATION

QUADRANT ASSIGNMENTS FOR PIN 1 ORIENTATION IN TAPE


*All dimensions are nominal

Device	Package Type	Package Drawing	Pins	SPQ	Reel Diameter (mm)	Reel Width W1 (mm)	A0 (mm)	B0 (mm)	K0 (mm)	P1 (mm)	W (mm)	Pin1 Quadrant
SN75LVCP600DRFR	WSON	DRF	8	3000	180.0	8.4	2.3	2.3	1.15	4.0	8.0	Q2
SN75LVCP600DRFT	WSON	DRF	8	250	180.0	8.4	2.3	2.3	1.15	4.0	8.0	Q2

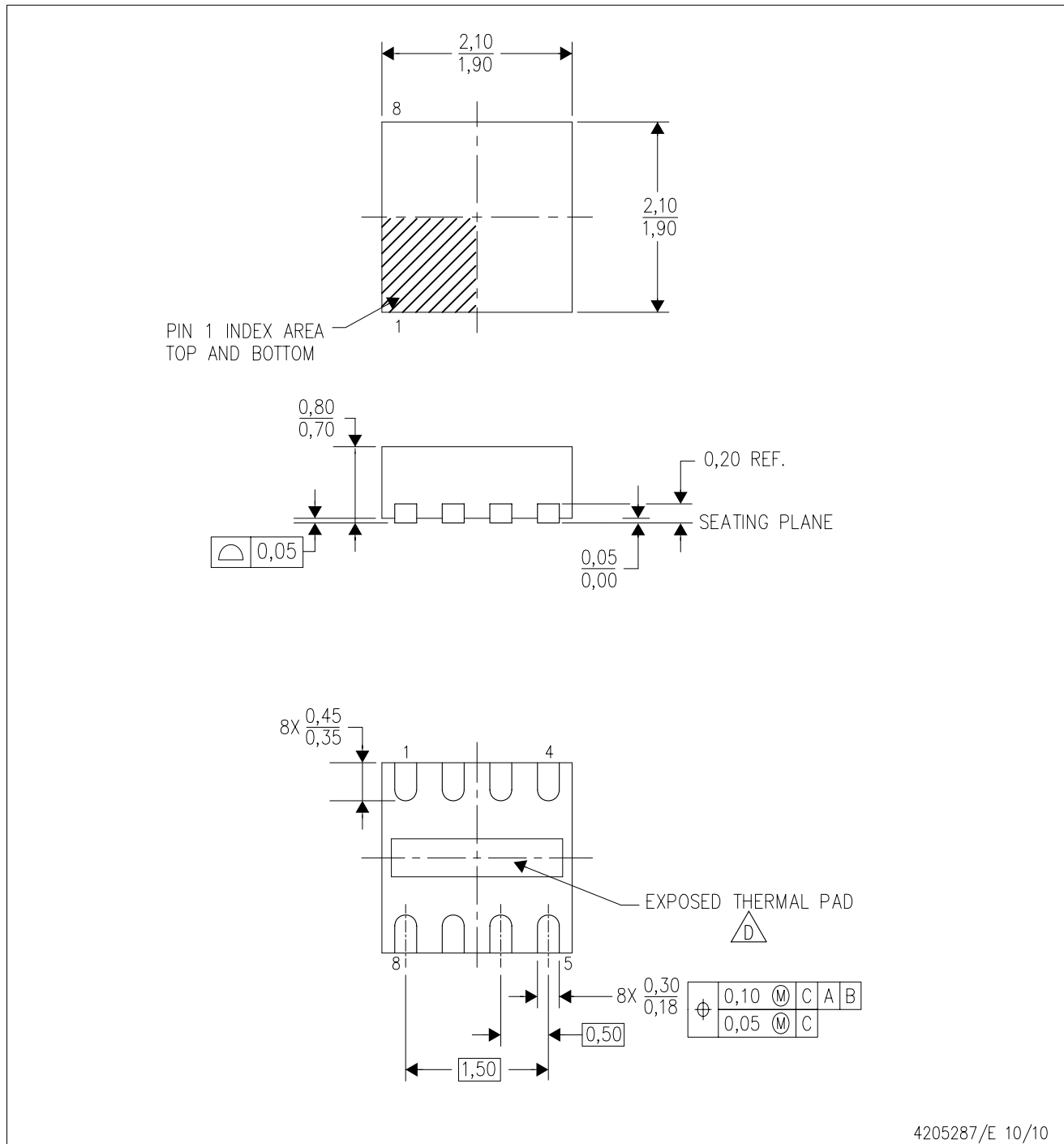
TAPE AND REEL BOX DIMENSIONS



*All dimensions are nominal

Device	Package Type	Package Drawing	Pins	SPQ	Length (mm)	Width (mm)	Height (mm)
SN75LVCP600DRFR	WSON	DRF	8	3000	213.0	191.0	35.0
SN75LVCP600DRFT	WSON	DRF	8	250	213.0	191.0	35.0

DRF (S-PWSON-N8)

PLASTIC SMALL OUTLINE NO-LEAD



- NOTES:
- A. All linear dimensions are in millimeters. Dimensioning and tolerancing per ASME Y14.5M-1994.
 - B. This drawing is subject to change without notice.
 - C. Quad Flatpack, No-Leads (QFN) package configuration.
 -  D. The Package thermal pad must be soldered to the board for thermal and mechanical performance. See product data sheet for details regarding the exposed thermal pad dimensions.
 - E. Falls within JEDEC MO-229.

THERMAL PAD MECHANICAL DATA

DRF (S-PWSON-N8)

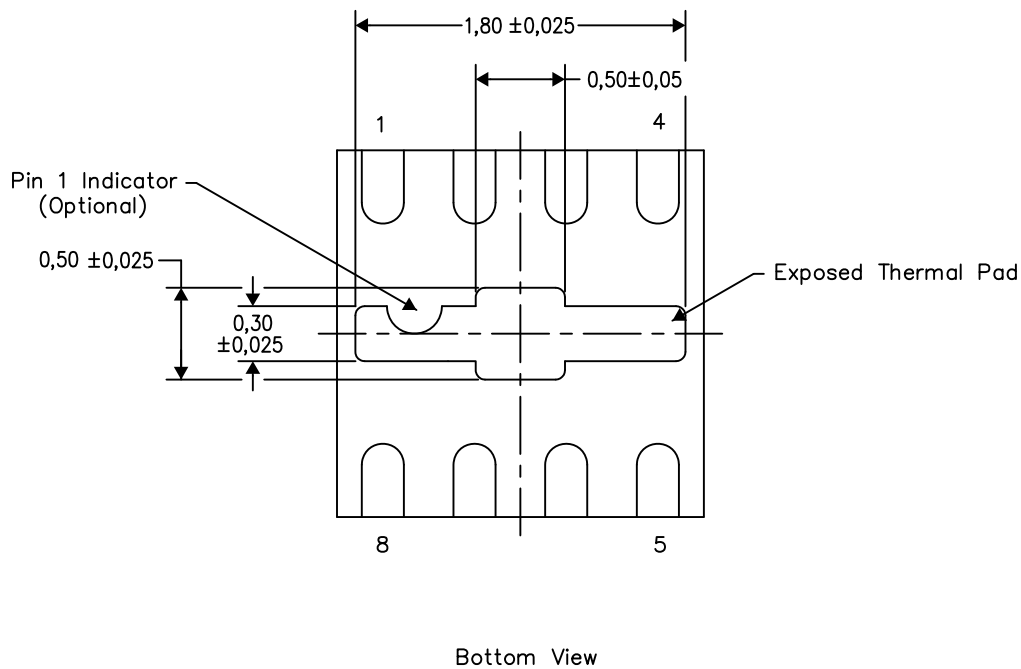
PLASTIC SMALL OUTLINE NO-LEAD

THERMAL INFORMATION

This package incorporates an exposed thermal pad that is designed to be attached directly to an external heatsink. The thermal pad must be soldered directly to the printed circuit board (PCB). After soldering, the PCB can be used as a heatsink. In addition, through the use of thermal vias, the thermal pad can be attached directly to the appropriate copper plane shown in the electrical schematic for the device, or alternatively, can be attached to a special heatsink structure designed into the PCB. This design optimizes the heat transfer from the integrated circuit (IC).

For information on the Quad Flatpack No-Lead (QFN) package and its advantages, refer to Application Report, QFN/SOIC PCB Attachment, Texas Instruments Literature No. SLUA271. This document is available at www.ti.com.

The exposed thermal pad dimensions for this package are shown in the following illustration.



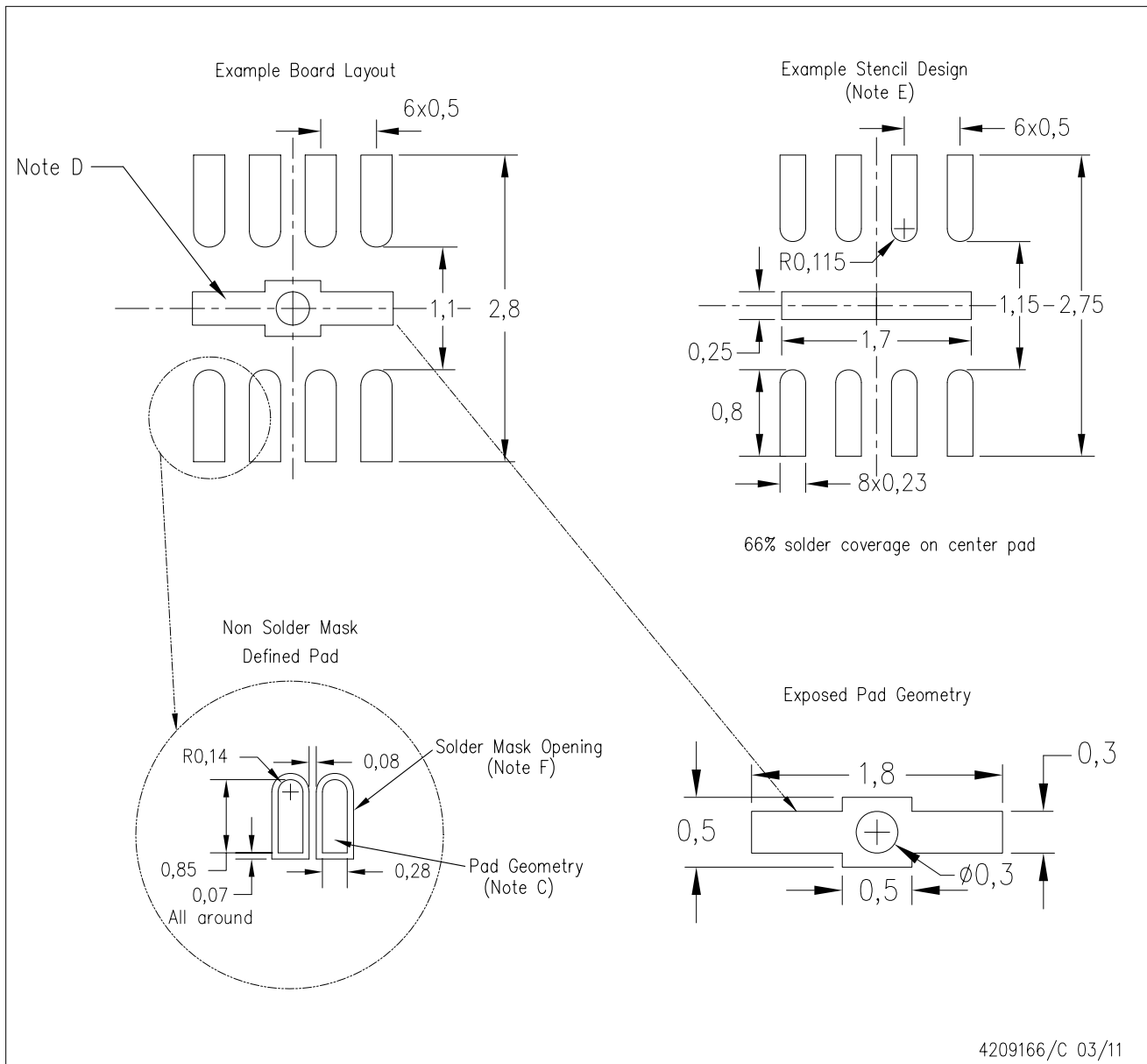
Exposed Thermal Pad Dimensions

4206840/H 12/14

NOTE: A. All linear dimensions are in millimeters

DRF (S-PWSON-N8)

PLASTIC SMALL OUTLINE NO-LEAD



- NOTES:
- All linear dimensions are in millimeters.
 - This drawing is subject to change without notice.
 - Publication IPC-7351 is recommended for alternate designs.
 - This package is designed to be soldered to a thermal pad on the board. Refer to Application Note, Quad Flat-Pack Packages, Texas Instruments Literature No. SLUA271, and also the Product Data Sheets for specific thermal information, via requirements, and recommended board layout. These documents are available at www.ti.com <<http://www.ti.com>>.
 - Laser cutting apertures with trapezoidal walls and also rounding corners will offer better paste release. Customers should contact their board assembly site for stencil design recommendations. Refer to IPC 7525 for stencil design considerations.
 - Customers should contact their board fabrication site for minimum solder mask web tolerances between signal pads.

IMPORTANT NOTICE AND DISCLAIMER

TI PROVIDES TECHNICAL AND RELIABILITY DATA (INCLUDING DATASHEETS), DESIGN RESOURCES (INCLUDING REFERENCE DESIGNS), APPLICATION OR OTHER DESIGN ADVICE, WEB TOOLS, SAFETY INFORMATION, AND OTHER RESOURCES "AS IS" AND WITH ALL FAULTS, AND DISCLAIMS ALL WARRANTIES, EXPRESS AND IMPLIED, INCLUDING WITHOUT LIMITATION ANY IMPLIED WARRANTIES OF MERCHANTABILITY, FITNESS FOR A PARTICULAR PURPOSE OR NON-INFRINGEMENT OF THIRD PARTY INTELLECTUAL PROPERTY RIGHTS.

These resources are intended for skilled developers designing with TI products. You are solely responsible for (1) selecting the appropriate TI products for your application, (2) designing, validating and testing your application, and (3) ensuring your application meets applicable standards, and any other safety, security, regulatory or other requirements.

These resources are subject to change without notice. TI grants you permission to use these resources only for development of an application that uses the TI products described in the resource. Other reproduction and display of these resources is prohibited. No license is granted to any other TI intellectual property right or to any third party intellectual property right. TI disclaims responsibility for, and you fully indemnify TI and its representatives against any claims, damages, costs, losses, and liabilities arising out of your use of these resources.

TI's products are provided subject to [TI's Terms of Sale](#), [TI's General Quality Guidelines](#), or other applicable terms available either on [ti.com](#) or provided in conjunction with such TI products. TI's provision of these resources does not expand or otherwise alter TI's applicable warranties or warranty disclaimers for TI products. Unless TI explicitly designates a product as custom or customer-specified, TI products are standard, catalog, general purpose devices.

TI objects to and rejects any additional or different terms you may propose.

Copyright © 2025, Texas Instruments Incorporated

Last updated 10/2025