

## TCA9802 Level-Translating I<sup>2</sup>C Bus Buffer/Repeater

### 1 Features

- Two-channel bidirectional buffer
- Integrated current source on B-side, requires no external B-side resistors
- Ultra-low power consumption
- No static-voltage offset, low  $V_{OL}$
- I<sup>2</sup>C bus and SMBus compatible
- Operating supply voltage range of 0.8 V to 3.6 V on A-side
- Operating supply voltage range of 1.65 V to 3.6 V on B-side
- Active-high repeater enable input
- Powered-off high impedance I<sup>2</sup>C bus pins on A-side
- Powered-off back-power protection I<sup>2</sup>C bus pins
- Support for clock stretching and multiple master arbitration
- Family of current source options from 0.5 mA to 3 mA

### 2 Applications

- Servers
- Routers (routing equipment)
- [Industrial equipment](#)
- [Personal computers](#)
- Power-sensitive applications

### 3 Description

The TCA9802 is a dual-channel bidirectional buffer intended for I<sup>2</sup>C bus and SMBus/PMBus systems. It provides bidirectional level shifting (up-translation and down-translation) between low voltages (down to 0.8 V) and higher voltages (1.65 V to 3.6 V). The TCA9802 features an internal current source on the B-side of the device, allowing the removal of external pull-up resistors on the B-side. The current source also provides an improved rise time and ultra-low power consumption.

The TCA9802 is able to provide true buffering (rather than a pass-FET solution) without using a static voltage offset or incremental offset. This means that the  $V_{OL}$  on both the A and B sides of the TCA9802 are very low (approximately 0.2 V), helping to eliminate communication issues as a result of fixed  $V_{IL}$  thresholds. Another key feature of the TCA9802 is that there are no power sequencing requirements, or power supply dependencies.  $V_{CCA}$  can be greater than, less than, or equal to  $V_{CCB}$ . This gives the system designer flexibility with how the TCA9802 is used.

The TCA9802 is part of a four device family with varying current source strengths (see the [Device Comparison Table](#)).

#### Device Information<sup>(1)</sup>

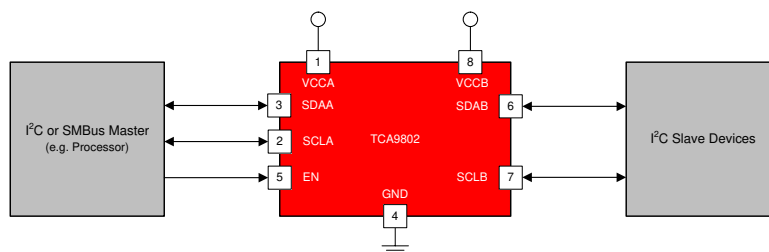
PART NUMBER	PACKAGE	BODY SIZE (NOM)
TCA9802	VSSOP (8)	3.00 mm x 3.00 mm

(1) For all available packages, see the orderable addendum at the end of the data sheet.

#### Device Comparison

Part Number	I <sub>CS</sub> : Current Source Value (Typical)
TCA9800	0.54 mA
TCA9801	1.1 mA
TCA9802	2.2 mA
TCA9803	3.3 mA

#### Simplified Schematic



Copyright © 2017, Texas Instruments Incorporated



## Table of Contents

<b>1 Features</b> .....	<b>1</b>	9.2 Functional Block Diagram .....	<b>11</b>
<b>2 Applications</b> .....	<b>1</b>	9.3 Feature Description .....	<b>12</b>
<b>3 Description</b> .....	<b>1</b>	9.4 Device Functional Modes .....	<b>13</b>
<b>4 Revision History</b> .....	<b>2</b>	<b>10 Application and Implementation</b> .....	<b>16</b>
<b>5 Device Comparison Table</b> .....	<b>3</b>	10.1 Application Information .....	<b>16</b>
<b>6 Pin Configuration and Functions</b> .....	<b>3</b>	10.2 Typical Application .....	<b>18</b>
<b>7 Specifications</b> .....	<b>4</b>	<b>11 Power Supply Recommendations</b> .....	<b>29</b>
7.1 Absolute Maximum Ratings .....	<b>4</b>	<b>12 Layout</b> .....	<b>30</b>
7.2 ESD Ratings .....	<b>4</b>	12.1 Layout Guidelines .....	<b>30</b>
7.3 Recommended Operating Conditions .....	<b>4</b>	12.2 Layout Example .....	<b>30</b>
7.4 Thermal Information .....	<b>4</b>	<b>13 Device and Documentation Support</b> .....	<b>31</b>
7.5 Electrical Characteristics .....	<b>5</b>	13.1 Documentation Support .....	<b>31</b>
7.6 Timing Requirements .....	<b>6</b>	13.2 Receiving Notification of Documentation Updates .....	<b>31</b>
7.7 Switching Characteristics .....	<b>6</b>	13.3 Support Resources .....	<b>31</b>
7.8 Typical Characteristics .....	<b>7</b>	13.4 Trademarks .....	<b>31</b>
<b>8 Parameter Measurement Information</b> .....	<b>9</b>	13.5 Electrostatic Discharge Caution .....	<b>31</b>
<b>9 Detailed Description</b> .....	<b>10</b>	13.6 Glossary .....	<b>31</b>
9.1 Overview .....	<b>10</b>	<b>14 Mechanical, Packaging, and Orderable Information</b> .....	<b>31</b>

## 4 Revision History

### Changes from Revision A (March 2017) to Revision B

Page

- Added last sentence: "When enable is a logic LOW while VCCB is powered on, the internal current source on B side is still enabled...." to the *Active-High Repeater Enable Input* section..... **12**

### Changes from Original (March 2017) to Revision A

Page

- Updated  $I_{CS}$  typical values in *Device Comparison Table*..... **3**

## 5 Device Comparison Table

Part Number	I <sub>CS</sub> : Current Source Value (Typical)
TCA9800	0.54 mA
TCA9801	1.1 mA
TCA9802	2.2 mA
TCA9803	3.3 mA

## 6 Pin Configuration and Functions



### Pin Functions

PIN		TYPE	DESCRIPTION
NO.	NAME		
1	VCCA	Supply	A-side supply voltage (0.8 V to 3.6 V)
2	SCLA	I/O	Serial clock bus, A-side. Connect to V <sub>CCA</sub> through a pull-up resistor, even if unused
3	SDAA	I/O	Serial data bus, A-side. Connect to V <sub>CCA</sub> through a pull-up resistor, even if unused
4	GND	—	Ground
5	EN	I	Active-high repeater enable input, referenced to V <sub>CCA</sub>
6	SDAB	I/O	Serial data bus, B-side. Do NOT connect to V <sub>CCB</sub> through a pull-up resistor for proper operation. If unused, leave floating
7	SCLB	I/O	Serial clock bus, B-side. Do NOT connect to V <sub>CCB</sub> through a pull-up resistor for proper operation. If unused, leave floating
8	VCCB	Supply	B-side and device supply voltage (1.65 V to 3.6 V)

## 7 Specifications

### 7.1 Absolute Maximum Ratings

over operating free-air temperature range (unless otherwise noted)<sup>(1)</sup>

		MIN	MAX	UNIT
V <sub>CCA</sub>	Supply voltage on A-side	-0.5	4	V
V <sub>CCB</sub>	Supply voltage on B-side	-0.5	4	V
V <sub>EN</sub>	Enable input voltage	-0.5	4	V
V <sub>I/O</sub>	I <sup>2</sup> C bus voltage	-0.5	4	V
I <sub>OL</sub>	Maximum SDAA, SCLA I <sub>OL</sub> current		20	mA
I <sub>IK</sub>	Input clamp current (SDAB/SCLB)		-20	mA
	Input clamp current (EN, VCCA, VCCB, SDAA, SCLA)		-20	mA
I <sub>OK</sub>	Output clamp current (SDAB/SCLB)		-20	mA
	Output clamp current (EN, VCCA, VCCB, SDAA, SCLA)		-20	mA
Operating junction temperature	T <sub>J</sub>		130	°C
Storage temperature	T <sub>stg</sub>	-60	150	°C

- (1) Stresses beyond those listed under *Absolute Maximum Ratings* may cause permanent damage to the device. These are stress ratings only and functional operation of the device at these or any other conditions beyond those indicated under *Recommended Operating Conditions* is not implied. Exposure to absolute-maximum-rated conditions for extended periods may affect device reliability.

### 7.2 ESD Ratings

		VALUE	UNIT
V <sub>(ESD)</sub>	Electrostatic discharge	Human body model (HBM), per ANSI/ESDA/JEDEC JS-001, all pins <sup>(1)</sup>	±2000
		Charged device model (CDM), per JEDEC specification JESD22-C101, all pins <sup>(2)</sup>	±1000

- (1) JEDEC document JEP155 states that 500-V HBM allows safe manufacturing with a standard ESD control process.  
 (2) JEDEC document JEP157 states that 250-V CDM allows safe manufacturing with a standard ESD control process.

### 7.3 Recommended Operating Conditions

over operating free-air temperature range (unless otherwise noted)

		MIN	MAX	UNIT
T <sub>A</sub>	Operating free-air temperature	-40	125	°C
V <sub>CCA</sub>	Supply voltage	0.8	3.6	V
V <sub>CCB</sub>	Supply voltage	1.65	3.6	V
V <sub>I/O</sub>	Input-output voltage	SDAA, SCLA	0	3.6
		SDAB, SCLB	0	3.6
		EN	0	3.6

### 7.4 Thermal Information

THERMAL METRIC <sup>(1)</sup>		TCA9802	UNIT
		DGK (VSSOP)	
		8 PINS	
R <sub>θJA</sub>	Junction-to-ambient thermal resistance	174.1	°C/W
R <sub>θJC(top)</sub>	Junction-to-case (top) thermal resistance	85	°C/W
R <sub>θJB</sub>	Junction-to-board thermal resistance	104.4	°C/W
Ψ <sub>JT</sub>	Junction-to-top characterization parameter	18.3	°C/W
Ψ <sub>JB</sub>	Junction-to-board characterization parameter	102.8	°C/W

- (1) For more information about traditional and new thermal metrics, see the [Semiconductor and IC Package Thermal Metrics](#) application report.

## 7.5 Electrical Characteristics

over operating free-air temperature range (unless otherwise noted)

PARAMETER		TEST CONDITIONS	MIN	TYP <sup>(1)</sup>	MAX	UNIT		
<b>OUTPUT CHARACTERISTICS</b>								
V <sub>OL</sub>	Low-level output voltage	SDAA, SCLA	I <sub>OL</sub> = 6 mA, V <sub>ILB</sub> = 0 V		0.04	0.13	V	
		SDAB, SCLB	V <sub>IA</sub> = 0 V		0.22	0.26		
I <sub>EXT-I</sub> <sup>(2)</sup>	Allowed input leakage current of I <sub>CS</sub>	SDAB, SCLB	0		200	μA		
I <sub>EXT-O</sub> <sup>(2)</sup>	Allowed output leakage current of I <sub>CS</sub>	SDAB, SCLB	0		200	μA		
I <sub>CS</sub>	Current source value			2.2		mA		
	Current source tolerance		-25		25	%		
<b>INPUT CHARACTERISTICS</b>								
R <sub>EN</sub>	Enable pin pull-up		150	250	450	kΩ		
V <sub>IH</sub>	High-level input voltage	SDAA, SCLA	0.7 × V <sub>CCA</sub>		V <sub>CCA</sub>	V		
		SDAB, SCLB <sup>(3)</sup>	0.7 × V <sub>CCB</sub>		V <sub>CCB</sub>			
		EN	0.7 × V <sub>CCA</sub>		V <sub>CCA</sub>			
V <sub>IL</sub>	Low-level input voltage	SDAA, SCLA	0		0.3 × V <sub>CCA</sub>	V		
		SDAB, SCLB <sup>(4)</sup> <sup>(3)</sup>	0		0.3 × V <sub>CCB</sub>			
		EN	0		0.3 × V <sub>CCA</sub>			
I <sub>IILC</sub>	Low-level input current contention	SDAB, SCLB <sup>(4)</sup>	800			μA		
R <sub>IILC</sub>	Low-level allowed pull-down resistance	SDAB, SCLB <sup>(3)</sup>			150	Ω		
C <sub>BUS</sub>	Bus capacitance limit	SDAB, SCLB <sup>(5)</sup>	0		400	pF		
<b>DC CHARACTERISTICS</b>								
UVLO	Under-voltage lock out	V <sub>CCA</sub>	V <sub>CCA</sub> rising and falling; V <sub>CCB</sub> = 1.65 or 3.6 V		0.3	0.55	0.8	V
		V <sub>CCB</sub>	V <sub>CCB</sub> rising; V <sub>CCA</sub> = 0.8 or 3.6 V		1.3	1.51	1.6	
			V <sub>CCB</sub> falling; V <sub>CCA</sub> = 0.8 or 3.6 V		1.2	1.4	1.6	
I <sub>CCA</sub>	Quiescent supply current for V <sub>CCA</sub>	SDAA = SCLA = V <sub>CCA</sub> or GND, SDAB = SCLB = open, EN = V <sub>CCA</sub>	V <sub>CCA</sub> = 0.8 V		0.1	7	μA	
			V <sub>CCA</sub> = 1.8 V		0.1	8		
			V <sub>CCA</sub> = 2.5 V		0.2	9		
			V <sub>CCA</sub> = 3.6 V		0.2	12		
I <sub>CCB</sub>	Quiescent supply current for V <sub>CCB</sub>	Both channels high, SDAA = SCLA = pulled up to V <sub>CCA</sub> , SDAB = SCLB = open, EN = V <sub>CCA</sub>	V <sub>CCB</sub> = 1.8 V		33	60	μA	
			V <sub>CCB</sub> = 2.5 V		36	65		
			V <sub>CCB</sub> = 3.6 V		41	75	mA	
			Both channels low, SDAA = SCLA = GND, SDAB = SCLB = open, EN = V <sub>CCA</sub>	V <sub>CCB</sub> = 1.8 V		4.3		5.2
				V <sub>CCB</sub> = 2.5 V		4.4		5.2
				V <sub>CCB</sub> = 3.6 V		4.5		5.3

(1) All typical values are at nominal supply voltage (1.8 V) and T<sub>A</sub> = 25 °C unless otherwise specified.

(2) SDAB, SCLB may not sink current from external sources. It is required that no source of external current be used on these pins for proper device operation due to the internal current source.

(3) Parameter specified by design. Not tested in production.

(4) V<sub>IL</sub> specification is for the first low-level seen by the SDAB and SCLB pins. I<sub>IILC</sub> must also be satisfied in order to be interpreted as a low.

(5) SDAB, SCLB have a maximum supported capacitive load for device operation. If this load capacitance maximum is violated, the device does not function properly. SDAA, SCLA have no maximum capacitance limit.

## Electrical Characteristics (continued)

over operating free-air temperature range (unless otherwise noted)

PARAMETER		TEST CONDITIONS	MIN	TYP <sup>(1)</sup>	MAX	UNIT
$I_{CCA} + I_{CCB}$	Total quiescent supply current	$V_{CCA} = V_{CCB} = 1.8\text{ V}$ , SDAA/SCLA = $V_{CCA}$ , SDAB/SCLB = $V_{CCB}$		34		$\mu\text{A}$
$I_I$	Input leakage current	SDAA, SCLA	$V_I = V_{CCA}$ , EN = GND		$\pm 10$	$\mu\text{A}$
			$V_I = \text{GND}$ , EN = GND		$\pm 10$	
		SDAB, SCLB	$V_{CCB} = 0\text{ V}$ , $V_I = 3.6\text{ V}$		$\pm 10$	
$C_{IO}$	I/O Capacitance	SDAA, SCLA	$V_I = 0\text{ V}$ or $3.3\text{ V}$ , $f = 1\text{ MHz}$	2	10	$\text{pF}$
		SDAB, SCLB	$V_{CCB} = \text{GND}$ , $V_I = 0\text{ V}$ , $f = 1\text{ MHz}$	8		

## 7.6 Timing Requirements

PARAMETER		MIN	TYP	MAX	UNIT
$f_{SCL(\text{MAX})}$	Max SCL clock frequency	400			kHz
$t_r^{(1)}$	Rise time	Port A	57	70	ns
		Port B; $V_{CCB} = 1.65\text{ V}$	16	35	
		Port B; $V_{CCB} = 2.5\text{ V}$	25	50	
		Port B; $V_{CCB} = 3.6\text{ V}$	36	75	
$t_f^{(1)}$	Fall time	Port A	9	30	ns
		Port B	35	70	
$t_{PHL}^{(1)}$	Propagation delay high-to-low	Port A to Port B	75	200	ns
		Port B to Port A	85	250	
$t_{PLH}^{(1)}$	Propagation delay low-to-high	Port A to Port B	20	90	ns
		Port B to Port A	110	260	

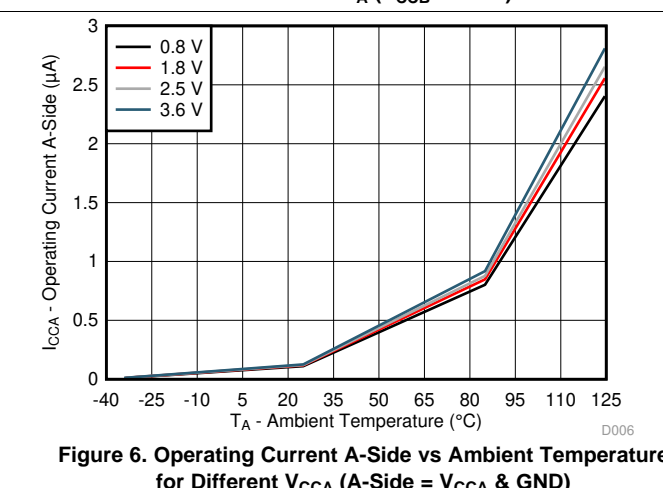
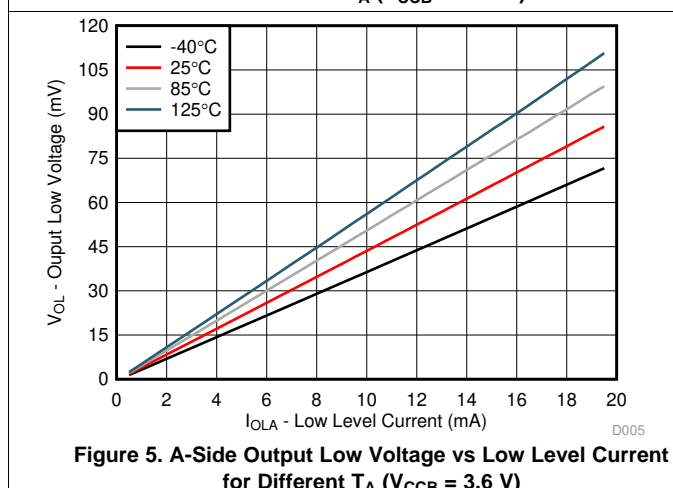
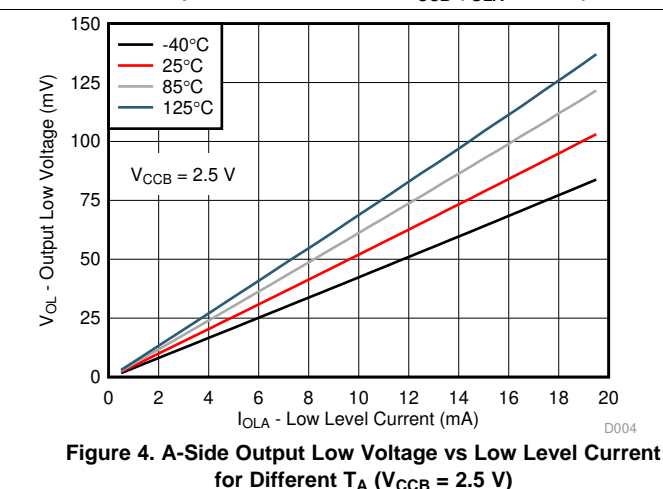
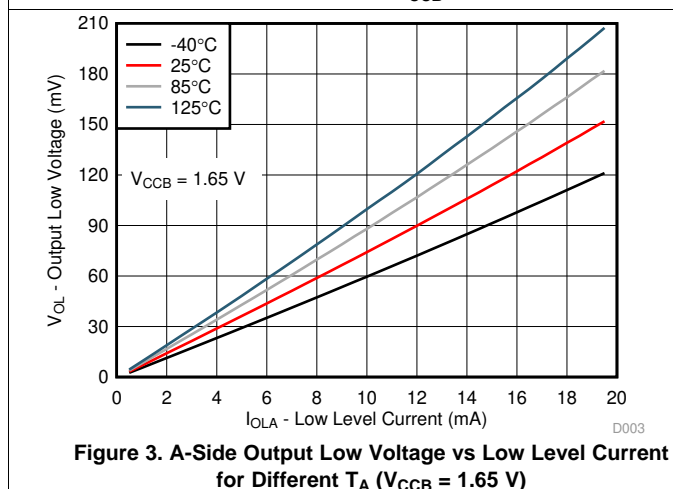
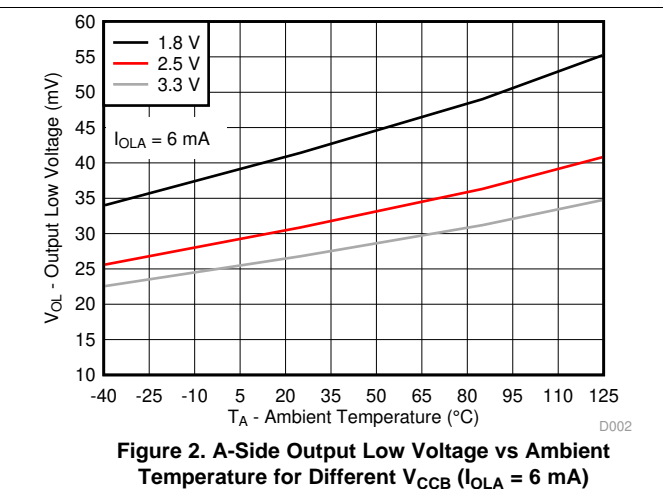
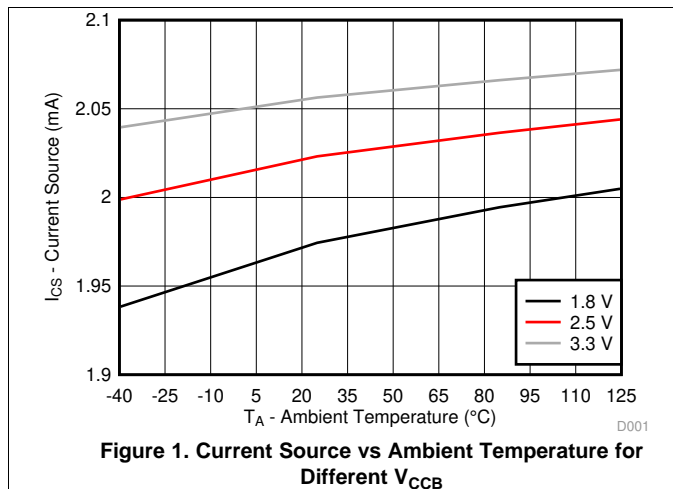
(1) Times are specified with loads of 1.35 k $\Omega$  and 50 pF on A-side and 50 pF on B-side. Different load resistance and capacitance alter the rise and fall times, thereby changing the propagation delay.

## 7.7 Switching Characteristics

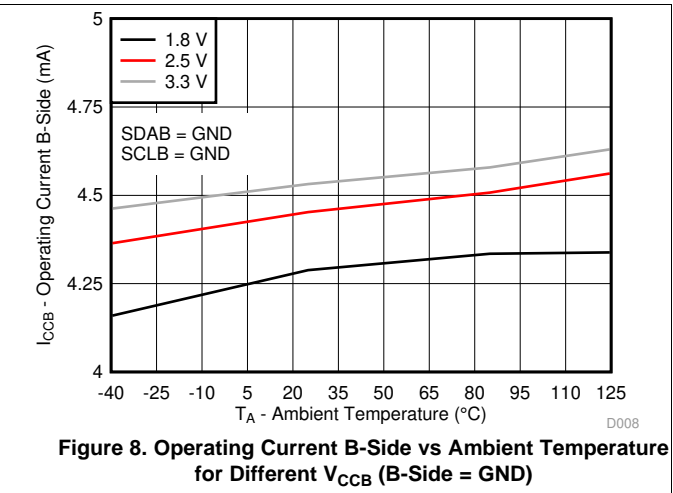
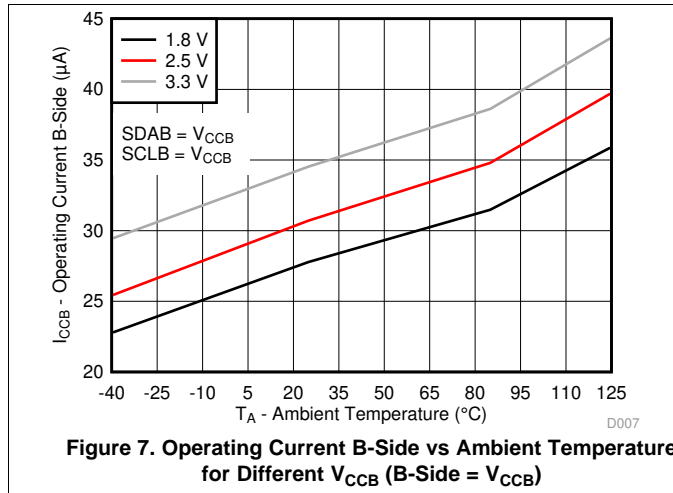
over operating free-air temperature range (unless otherwise noted)

PARAMETER		MIN	TYP	MAX	UNIT
$t_{\text{startup}}$	Startup time		65	350	$\mu\text{s}$
$t_{\text{en}}$	Enable time		280	1000	ns
$t_{\text{dis}}$	Disable time		700	1800	ns

## 7.8 Typical Characteristics



Typical Characteristics (continued)



## 8 Parameter Measurement Information



Figure 9. Propagation Delay and Transition Times for A-Side to B-Side



1)  $V_{CCA}$  is powered, SDAB/SCLB are connected to GND

Figure 11. Startup Time ( $t_{startup}$ )



- 1) The  $V_{OL}$  of only the external device, pulling down on the bus
- 2) The  $V_{OL}$  of both the external device and the TCA980x translator
- 3) The  $V_{OL}$  of only the TCA980x, after the external device releases

Figure 10. Propagation Delay for B-Side to A-Side



1)  $V_{CCA}$  is powered, SDAA/SCLA are connected to GND

Figure 12. Enable and Disable Time ( $t_{en}$  and  $t_{dis}$ )

## 9 Detailed Description

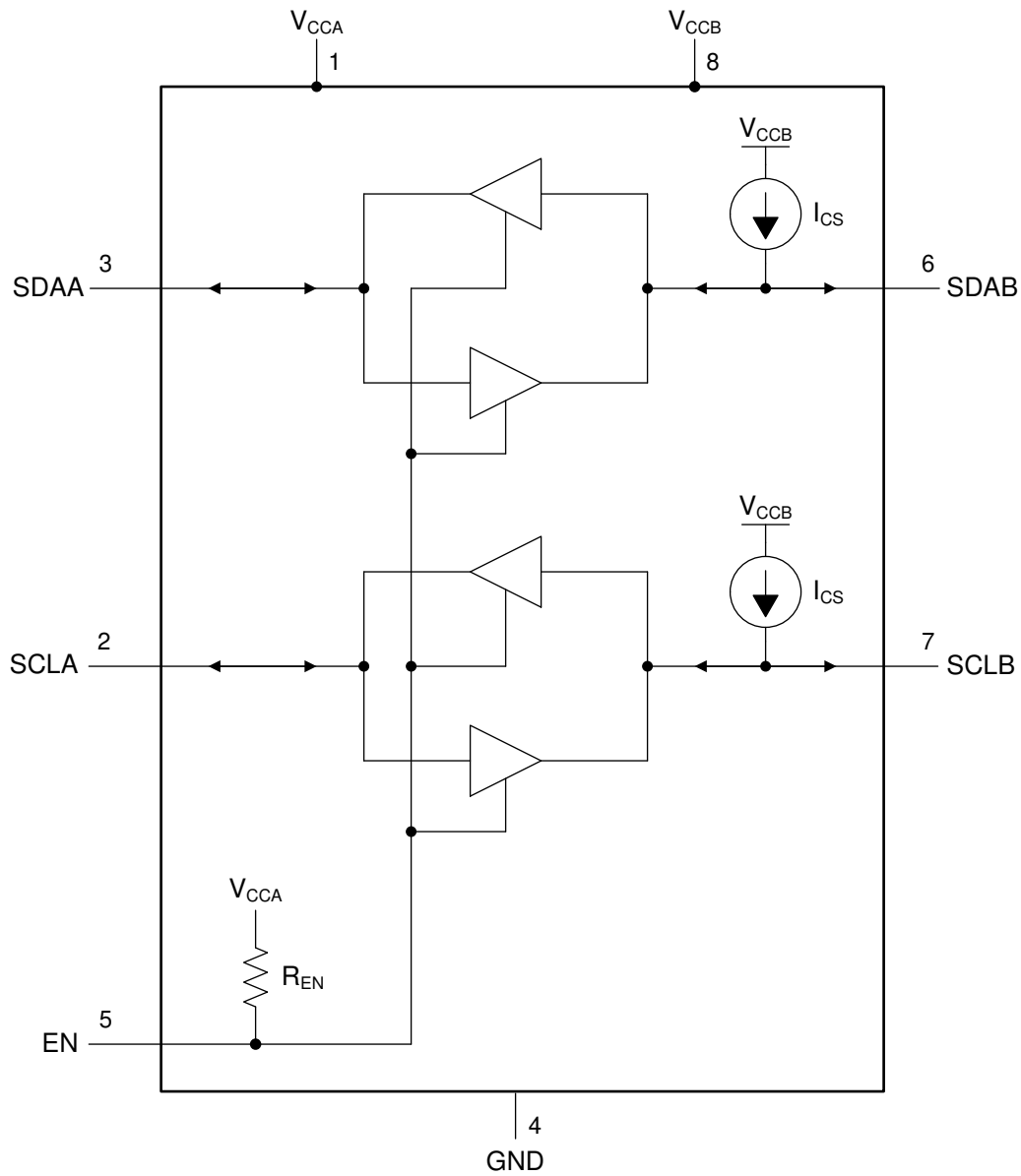
### 9.1 Overview

The TCA9802 is a dual-channel bidirectional buffer intended for I<sup>2</sup>C bus and SMBus/PMBus systems. It provides bidirectional level shifting (up-translation and down-translation) between low voltages (down to 0.8 V) and higher voltages (1.65 V to 3.6 V). The TCA9802 features an internal current source on the B-side of the device, allowing the removal of external pull-up resistors on the B-side. The current source also provides an improved rise time and ultra-low power consumption.

The TCA9802 is able to provide true buffering (rather than a pass-FET solution) without using a static voltage offset or incremental offset. This means that the  $V_{OL}$  on both the A and B sides of the TCA9802 are very low (approximately 0.2 V), helping to eliminate communication issues as a result of fixed  $V_{IL}$  thresholds. Another key feature of the TCA9802 is that there are no power sequencing requirements, or power supply dependencies.  $V_{CCA}$  can be greater than, less than, or equal to  $V_{CCB}$ . This gives the system designer flexibility with how the TCA9802 is used.

The TCA9802 is part of a four device family with varying current source strengths (see the [Device Comparison Table](#)).

## 9.2 Functional Block Diagram



For proper device operation, no external current sources (pull-up resistors) must be used on the SDAB and SCLB ports

## 9.3 Feature Description

### 9.3.1 Integrated Current Source

The TCA980x family has an integrated current source on the B side. By using an integrated current source, the device is able to measure current to determine if an external device is pulling down on the bus or not. This innovative detection method removes the need for a static voltage offset on the B side.

### 9.3.2 Ultra-Low Power Consumption

The TCA980x family features ultra low power consumption, to help maximum battery life, or cut down on power dissipation in sensitive applications.

### 9.3.3 No Static-Voltage Offset

The TCA980x family has no static-voltage offset, which are commonly used in buffered translators to prevent a device lock-up situation where the buffer's own output low could trip the input low threshold. The removal of the static voltage offset is significant because it allows the device to have low a low  $V_{OL}$  on the B side, which helps prevents communication issues that arise from connecting a static-voltage offset output device to an input with an input low threshold which is below the static voltage  $V_{OL}$ .

### 9.3.4 Active-High Repeater Enable Input

The TCA980x has an active-high enable (EN) input with an internal pull-up to VCCA, which allows the user to select when the repeater is active. This can be used to isolate a badly behaved slave on power-up reset. The EN input must change state only when the global bus and repeater port are in an idle state, to prevent system or communication failures. When enable is a logic LOW while VCCB is powered on, the internal current source on B side is still enabled. The enable pin does not disable the internal current source.

### 9.3.5 Powered Off High Impedance I<sup>2</sup>C Bus Pins on A-Side

The SCLA and SDAA pins enter a high impedance state when either VCCA or VCCB fall below their UVLO voltages. These pins are safe to continue having I<sup>2</sup>C communication on, even when the device is disabled or has no power.

The SCLB and SDAB pins remain powered by their current source ( $I_{CS}$ ), even when VCCA is below UVLO. When VCCB falls below UVLO, the current source turns off, and a weak pull-up is connected to prevent the B-pins from floating. This is intended behavior, because no external pull-up resistors are to be used on the SDAB or SCLB pins. This behavior prevents the bus pins from floating, and allows it to follow VCCB.

### 9.3.6 Powered-Off Back-Power Protection for I<sup>2</sup>C Bus Pins

All I<sup>2</sup>C bus pins have protection circuitry to prevent current from flowing to the VCC pins from the I<sup>2</sup>C bus pins.

### 9.3.7 Clock Stretching and Multiple Master Arbitration Support

The TCA980x family supports clock stretching and multiple master arbitration methods, and helps to minimize overshoot during these hand offs between master and slave (or multiple masters).

## 9.4 Device Functional Modes

Table 1 shows the TCA980x function table.

**Table 1. Enable Function Table**

INPUT EN	FUNCTION
L	Outputs disabled
H	SDAA = SDAB SCLA = SCLB

Table 2 lists the TCA980x B-Side current source functions.

**Table 2. B-Side Current Source Function Table**

VCCB	FUNCTION
L	Current sources disabled, weak pull-up is connected with back-power protection
H	Current sources enabled

### 9.4.1 Device Operation Considerations

#### 9.4.1.1 B-Side Input Low ( $V_{IL}/I_{ILC}/R_{ILC}$ )

The TCA980x family utilizes the current source on the B side to determine whether an external device is driving the bus low, or if it is driving the bus low itself. As such, there are some parameters that must be met to ensure a successful transmission of a low from the B-side to the A-side. These parameters are listed in Table 3.

**Table 3. B-side Input Low-Level Parameters**

PARAMETER	SHORT DESCRIPTION	DETAILED INFORMATION
$V_{IL}$ Low-level input voltage	The input voltage that is interpreted as a low. On the B-side, $I_{ILC}$ must also be satisfied to maintain a low	See the $V_{ILC}$ & $I_{ILC}$ section
$I_{ILC}$ Low-level input current (contention)	The minimum amount of current that an external device must be sinking from the TCA980x to transmit a low. $V_{IL}$ must also be satisfied	See the $V_{ILC}$ & $I_{ILC}$ section
$R_{ILC}$ Low-level allowed pull-down resistance	The maximum allowed pull-down resistance of an external device in order to successful transmit a low	See the $R_{ILC}$ section

##### 9.4.1.1.1 $V_{ILC}$ & $I_{ILC}$

The  $I_{ILC}$  parameter is the minimum amount of current that the external device must sink from the TCA980x in order for the TCA980x to accept the low on the B-side.

In order for the TCA980x to accept a low on the B-side, both  $V_{IL}$  and  $I_{ILC}$  parameters must be satisfied. In an idle bus condition (both A and B sides are high), meeting the  $V_{IL}$  threshold with an external device pull-down meets the  $I_{ILC}$  requirement, since the pull-down has to sink the entire  $I_{CS}$  (current source value) current before the voltage on the pin falls.

In a contention situation (the A-side is being driven low externally, and the B-side is driven low by the TCA980x), the  $V_{IL}$  requirement is already satisfied by the TCA980x alone (Since the output low voltage is less than the  $V_{IL}$  threshold). In order for a device on the B-side to over-drive the A-side, it must sink the  $I_{ILC}$  value for the TCA980x to accept that the low is now being driven by the B-side. This helps reduce or eliminate overshoot during the hand off between a slave an master during a clock-stretching event, or an acknowledge.

External pull-up resistors on the B-side are not allowed for this reason. As the additional current provided by them may hinder an external device from being able to satisfy the TCA980x's  $I_{ILC}$  requirement. For more information on this and allowed external current into the device, see the [Input and Output Leakage Current \( \$I\_{EXT-}\$ / \$I\_{EXT-O}\$ \)](#) section.

9.4.1.1.2 R<sub>ILC</sub>

The R<sub>ILC</sub> parameter describes the maximum allowed pull-down resistance. This parameter comes from the combination of I<sub>ILC</sub> and I<sub>CS</sub>, and states the maximum resistance that can satisfy the I<sub>ILC</sub> parameter. Note that series resistors on the bus are going to affect this, as seen with other types of buffers (voltage delta across the series resistor. This increases the effective V<sub>OL</sub> of the external device pulling the bus low).

The calculated resistance of the internal pull-down FET of an external device can be calculated from the V<sub>OL</sub> and I<sub>OL</sub> measurements of the external device in question using Equation 1. Take care to consider any series resistors placed in the path from the TCA980x to any external device. Note that R<sub>PD</sub> is the calculated resistance of the internal pull-down FET, and not a resistor to ground. This is for determining if the external device's output characteristics meet the TCA980x R<sub>ILC</sub> requirement (150 Ω).

$$R_{PD} = V_{OL} / I_{OL} \tag{1}$$

9.4.1.2 Input and Output Leakage Current (I<sub>EXT-I</sub>/I<sub>EXT-O</sub>)

The Input external current (I<sub>EXT-I</sub>) and output external current (I<sub>EXT-O</sub>) parameters describe the amount of parasitic current either injected into the device or pulled from the device (such as leakage from ESD cells) without affecting device operation as shown in Table 4.

Table 4. B-Side Input and Output Leakage Current

PARAMETER	SHORT DESCRIPTION	DETAILED INFORMATION
I <sub>EXT-I</sub> Input leakage current	Current that is external, but pulled up to supply, leaking current into the TCA980x B-side. An example is a leaky ESD cell from VCC, or an external pull-up resistor.	See the I <sub>EXT-I</sub> section
I <sub>EXT-O</sub> Output leakage current	Current that is pulled from the TCA980x B-side. ESD cells are the most common form of output leakage. Care must be taken not to violate this spec, otherwise the leakage current can create a false low.	See the I <sub>EXT-O</sub> section

9.4.1.2.1 I<sub>EXT-I</sub>

I<sub>EXT-I</sub> is a current source that is external to the TCA980x B-side, but leaks current into the device. This type of input leakage may not exceed the I<sub>EXT-I</sub> maximum spec, or else the minimum I<sub>ILC</sub> value does not apply.

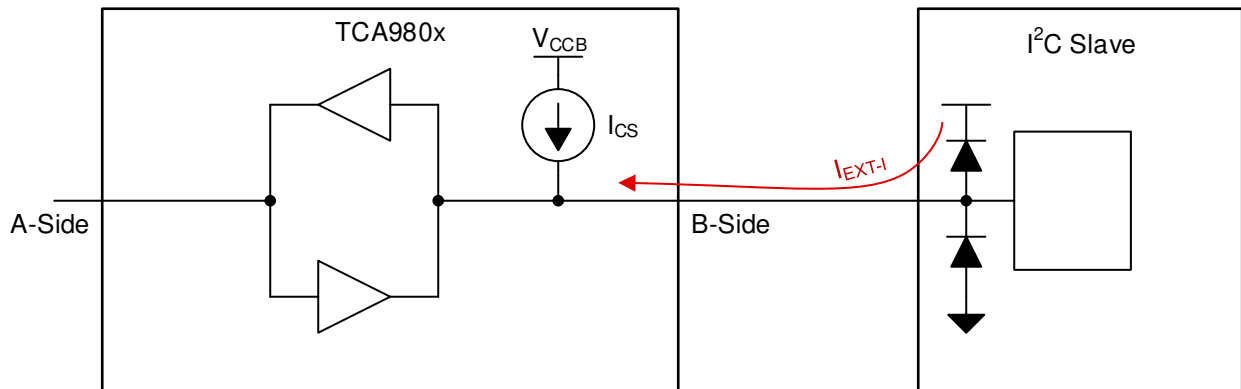


Figure 13. I<sub>EXT-I</sub> Example

As shown in Figure 13, I<sub>EXT-I</sub> is a source of additional current into the device, shown as a leaky ESD cell. The user must keep I<sub>EXT-I</sub> as close to 0 as possible, since the TCA980x has a current source as a pull-up internally, and uses this current source to help detect which side is driving a low. As I<sub>EXT-I</sub> increases, it increases the minimum I<sub>ILC</sub> value, requiring that an external device sink more current from the TCA980x in order to transmit a low. There must be no external pull-up resistor on the B-side to contribute to I<sub>EXT-I</sub>.

9.4.1.2.2  $I_{EXT-O}$

$I_{EXT-O}$  is an unintentional current from the TCA980x's internal current source that is external. Leaking ESD cells are a common contributor to leakage current. This type of input leakage may not exceed the  $I_{EXT-O}$  maximum spec, or else the TCA980x can interpret this excessive current as an external device transmitting a low, causing the bus to latch. It is important to consider the total sum of I<sup>2</sup>C slave device's leakage to ground, and that it does not violate  $I_{EXT-O}$ . An example showing a typical  $I_{EXT-O}$  leakage path through an ESD cell is shown in Figure 14.

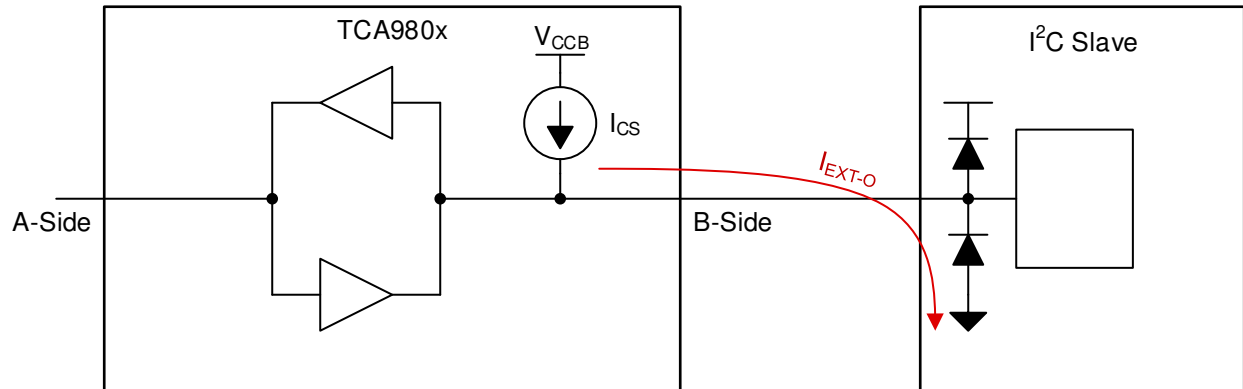


Figure 14.  $I_{EXT-O}$  Example

## 10 Application and Implementation

### NOTE

Information in the following applications sections is not part of the TI component specification, and TI does not warrant its accuracy or completeness. TI's customers are responsible for determining suitability of components for their purposes. Customers should validate and test their design implementation to confirm system functionality.

### 10.1 Application Information

#### 10.1.1 Device Selection Guide

The TCA980x family has 4 different variants, with different strengths of the internal current source as shown in [Table 5](#).

**Table 5. TCA980x Family**

Part Number	I <sub>CS</sub> : Current Source Value
TCA9800	0.54 mA
TCA9801	1.1 mA
TCA9802	2.2 mA
TCA9803	3.3 mA

It is acceptable to select the TCA9803 as the default, since it is able to drive 400-pF bus capacitance loads at 400 kHz. For system designers looking to optimize selection, see the [Detailed Design Procedure](#) section for single device for detailed examples of how to select a part number for a specific application.

#### 10.1.2 Special Considerations for the B-side

The TCA980x supports many types of connections between other TCA980x and other buffers/translators. Care must be taken to ensure that all of the B-side requirements be satisfied. For example, FET/pass-gate based translators typically cannot be used on the B-side, because they require pull-up resistors on both sides, and when one side is pulling low, the FET/switch closes, likely causing I<sub>EXT-I</sub> to be violated (See the [I<sub>EXT-I</sub>](#) section for more information).

The [FET or Pass-Gate Translators](#) and [Buffered Translators/Level-shifters](#) sections list some use-cases that are not supported or require special considerations when connected to the B-ports, note that these considerations only apply to the B-side of the TCA980x family.

##### 10.1.2.1 FET or Pass-Gate Translators

Some translators are based on pass-gates for translation support. In most of the use cases, external pull-up resistors are required to pull the bus to the voltage rail.





**Typical Application (continued)**

It is critical to note that there are no external sources of current allowed on the B-side ports, since this can affect device operation as shown in the *I<sub>EXT-I</sub>* section.



**Figure 19. Typical Level-Shifting Application Example (Master on A-side)**

**NOTE**

Decoupling capacitors are not shown to keep the illustration simple. Decoupling capacitors (1  $\mu$ F and 0.1  $\mu$ F) must be placed close to each power supply pin.

As shown in [Figure 20](#), the I<sup>2</sup>C master can be on the B-side, and that it is ok to have  $V_{CCA} > V_{CCB}$ . The only requirements are that no external source of current (pull-up resistor or current source) be on the B-pins of the TCA9802, and that both  $V_{CCA}/V_{CCB}$  values are within the recommended range. As a note, since the EN pin is referenced to the VCCA supply voltage, when the master is on the A-side, the system designer must ensure that the enable pin voltage is pulled up to  $V_{CCA}$  (either with an external or the internal pull-up resistor) to ensure that the device is enabled.



**Figure 20. Typical Level-Shifting Application Example (Master on B-side)**

**NOTE**

Decoupling capacitors are not shown to keep the illustration simple. Decoupling capacitors (1  $\mu$ F and 0.1  $\mu$ F) must be placed close to each power supply pin.

## Typical Application (continued)

### 10.2.1.1 Design Requirements

The system designer must first select the correct variant of the TCA980x family for the load. In order to do this, the information in [Table 6](#) must be known. The setup in [Figure 19](#) is used for these example design requirements.

$C_L$  is the capacitance of the bus, including the pin capacitance of each slave device connected, and the capacitance of the board trace. It is possible to estimate the bus capacitance by summing up the pin capacitances of each slave device on the node (using 10-pF per slave is a safe estimate, since this is the maximum allowed per the I<sup>2</sup>C specification), but trace capacitance requires an estimation through simulation or by getting the capacitance per unit length from the board manufacturer.

**Table 6. Design Requirements**

Parameter	Description	Acceptable Range	Example Value/Target
$C_L$	Load capacitance (bus capacitance) on B-side	up to 400 pF	100 pF
$t_r$	Rise time	up to 300 ns	≤ 150 ns
$V_{CCA}$	VCCA supply voltage	0.8 V-3.6 V	1.2 V
$V_{CCB}$	VCCB supply voltage	1.65 V-3.6 V	3.3 V
$f_{SCL}$	I <sup>2</sup> C clock frequency		400 kHz

### 10.2.1.2 Detailed Design Procedure

Selection of the correct device is important for designers wanting optimize power consumption while transmitting.

Selecting the pull-up resistor required for the A-side is well documented already, see the [I<sup>2</sup>C Bus Pullup Resistor Calculation](#) application report. The rest of this section deals only with selection of a device based on the B-side design requirements.

Since the B-ports of the TCA980x family have an integrated current source, the rise time is easily calculated with [Equation 2](#). The graphs in the [Application Curves](#) section show the maximum capacitance load that each device can drive (based on minimum  $I_{CS}$  value) to achieve a desired rise time, for different  $V_{CCB}$  voltages.

$$t_r = C_L \frac{(0.4 \times V_{CCB})}{I_{CS}} \quad (2)$$

The target design requirements example is intended for 400-kHz I<sup>2</sup>C, so the appropriate selection graph to use is [Figure 22](#), and specifically [Figure 27](#) since VCCB supply voltage is 3.3 V. In [Figure 21](#), the graph has the appropriate regions shaded to help illustrate how to select the appropriate device. When looking at the general selection graphs, note that voltage line shifts evenly between the 1.65 V and 3.6 V traces in the general selection graphs. For example, if VCCB in another example is 2.5 V, then the selection graph is based on a line in the middle of the 1.65 V and the 3.6 V trace.

As shown in [Figure 21](#), the shaded region is the appropriate region based on design requirements listed in [Table 6](#). Any line that touches this shaded region is able to meet the design requirements. In this example, the TCA9803 and the TCA9802 both are able to satisfy the design requirements, since they both touch the shaded region. The TCA9800 and the TCA9801 both fall below the shaded region. While the TCA9801 is able to meet a rise time of about 190 ns at 100 pF (acceptable by the fast-mode rise time requirements), the design target in this example was ≤ 150 ns. This is a consideration a system designer can make, sacrificing rise time for a lower-power device, but in this example, the 150 ns limit is going to be upheld).

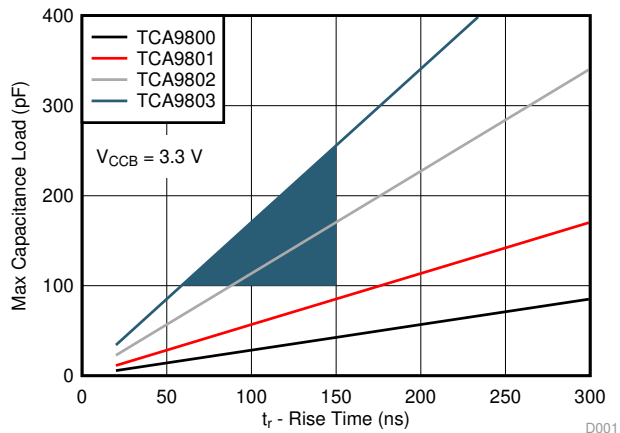


Figure 21. Selection Guide Based on Example Design Requirements

**NOTE**

Decoupling capacitors are not shown to keep the illustration simple. Decoupling capacitors (1  $\mu$ F and 0.1  $\mu$ F) must be placed close to each power supply pin.

Based on the selection graph shown above, the TCA9802 is selected, since it is the lowest-power device's trace (grey trace) which touches the shaded region. The TCA9803 may also be used without any consequences.

### 10.2.1.3 Application Curves

The application curves can be used to select the appropriate part for a given design requirement, or to estimate the rise-time.





Figure 28. Maximum Load Capacitance vs Rise Time (400-kHz I<sup>2</sup>C, V<sub>CCB</sub> = 3.6 V)

### 10.2.2 Buffering Without Level-Shifting

The TCA980x family supports buffering use cases which do not need level-shifting or voltage-translation.

It is critical to note that there are no external sources of current allowed on the B-side ports, since this can affect device operation as shown in the [I<sub>EXT-I</sub>](#) section.



Copyright © 2017, Texas Instruments Incorporated

Figure 29. Buffering Use Case Without Level-Shifting

#### NOTE

Decoupling capacitors are not shown to keep the illustration simple. Decoupling capacitors (1 μF and 0.1 μF) must be placed close to each power supply pin.

#### 10.2.2.1 Design Requirements

The system designer must first select the correct variant of the TCA980x family for the load. In order to do this, the information in [Table 7](#) must be known. The setup in [Figure 29](#) is used for these example design requirements.

Table 7. Design Requirements

Parameter	Description	Acceptable Range	Example Value/Target
C <sub>L</sub>	Load capacitance (bus capacitance) on B-side	up to 400 pF	200 pF
t <sub>r</sub>	Rise time	up to 300 ns	≤ 300 ns

**Table 7. Design Requirements (continued)**

Parameter	Description	Acceptable Range	Example Value/Target
V <sub>CCA</sub>	V <sub>CCA</sub> supply voltage	0.8 V-3.6 V	2.5 V
V <sub>CCB</sub>	V <sub>CCB</sub> supply voltage	1.65 V-3.6 V	2.5 V
f <sub>SCL</sub>	I <sup>2</sup> C clock frequency		400 kHz

**10.2.2.2 Detailed Design Procedure**

Selecting the pull-up resistor required for the A-side is well documented already, see the [I2C Bus Pullup Resistor Calculation](#) application report. The rest of this section deals only with selection of a device based on the B-side design requirements.

Selection process of each device is identical to the procedure described in the [Device Selection Guide](#) section, except that it must be done for each individual TCA980x. This section jumps straight to the selection graphs to show the selection process. See the [Detailed Design Procedure](#) section for single device for detailed information.

As shown in [Figure 30](#), the shaded region is the appropriate region based on design requirements listed in [Table 7](#). Any line that touches this shaded region is able to meet the design requirements. In this example, the TCA9803, TCA9802, and TCA9801 are able to satisfy the design requirements, since they all touch the shaded region. The TCA9800 falls below the shaded region.

Based on the selection graph shown above, the TCA9801 is selected, since it is the lowest-power device which touches the shaded region (red trace). The TCA9803 or the TCA9802 may also be used without any consequences.

**10.2.2.3 Application Curve**



**Figure 30. Selection Guide Based On Example Design Requirements**

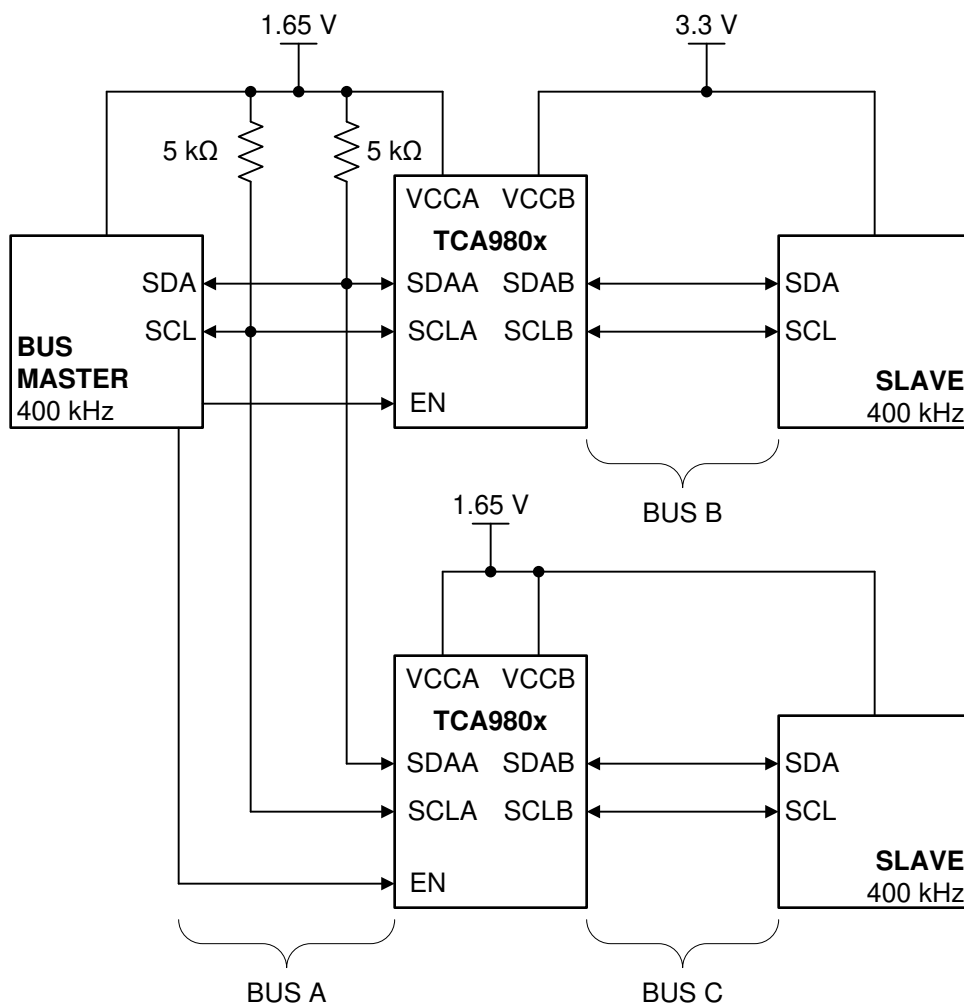
**10.2.3 Parallel Device Use Case**

The TCA980x family supports multiple TCA980x used in parallel. The A-sides of the TCA980x are allowed to be connected together.

It is critical to note that there are no external sources of current allowed on the B-side ports, since this can affect device operation shown in the [I<sub>EXT-I</sub>](#) section.

NOTE: B-sides of TCA980x devices may never be connected to each other, because the I<sub>EXT-I</sub> specification limit is violated. See the [I<sub>EXT-I</sub>](#) section for more information.

NOTE: The B-side may not be connected to another translator if it uses a static-voltage offset. The R<sub>ILC</sub> spec is violated since the static voltage offset adjusts the output resistance to ground to be outside of the R<sub>ILC</sub> spec requirement, causing the TCA980x to be unable to recognize a low.



Copyright © 2017, Texas Instruments Incorporated

Figure 31. Parallel Use Case

**NOTE**

Decoupling capacitors are not shown to keep the illustration simple. Decoupling capacitors (1 μF and 0.1 μF) must be placed close to each power supply pin.

**10.2.3.1 Design Requirements**

The system designer must first select the correct variant of the TCA9802 family for the load. In order to do this, the information shown in Table 8 and Table 9 must be known. The setup in Figure 31 is used for these example design requirements.

Table 8. Design Requirements for Bus B

Parameter	Description	Acceptable Range	Example Value/Target
C <sub>L</sub>	Load capacitance (bus capacitance) on B-side	up to 400 pF	300 pF
t <sub>r</sub>	Rise time	up to 300 ns	≤ 300 ns
V <sub>CCA</sub>	VCCA supply voltage	0.8 V-3.6 V	1.65 V
V <sub>CCB</sub>	VCCB supply voltage	1.65 V-3.6 V	3.3 V

**Table 8. Design Requirements for Bus B (continued)**

Parameter	Description	Acceptable Range	Example Value/Target
f <sub>SCL</sub>	I <sup>2</sup> C clock frequency		400 kHz

**Table 9. Design Requirements for Bus C**

Parameter	Description	Acceptable Range	Example Value/Target
C <sub>L</sub>	Load capacitance (bus capacitance) on B-side	up to 400 pF	40 pF
t <sub>r</sub>	Rise time	up to 300 ns	≤ 300 ns
V <sub>CCA</sub>	VCCA supply voltage	0.8 V-3.6 V	1.65 V
V <sub>CCB</sub>	VCCB supply voltage	1.65 V-3.6 V	1.65 V
f <sub>SCL</sub>	I <sup>2</sup> C clock frequency		400 kHz

**10.2.3.2 Detailed Design Procedure**

Selecting the pull-up resistor required for the A-side (Bus A) is well documented already, see the [I2C Bus Pullup Resistor Calculation](#) application report. The rest of this section deals only with selection of a device based on the B-side design requirements.

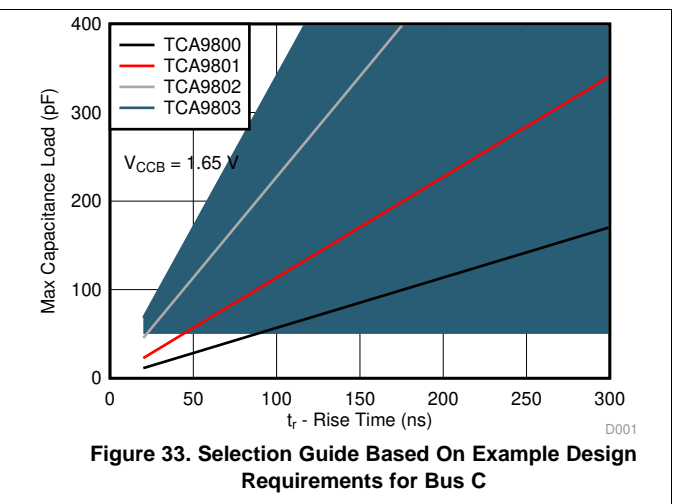
Selection process of each device is identical to the procedure described in the [Device Selection Guide](#) section, except that it must be done for each individual TCA980x. This section jumps straight to the selection graphs to show the selection process. See the [Detailed Design Procedure](#) section for single device for detailed information.

Based on [Figure 32](#), the TCA9802 or the TCA9803 are the devices which are able to meet the design requirements. The TCA9802 is the most optimized selection, but the TCA9803 can be used without issue.

Based on [Figure 33](#), all 4 variants of the TCA980x family meet the design requirements. The TCA9800 is the most optimized selection, but any of the variants can be used without issue.

As the system designer, the choice can be made to go for the most optimized part selections (TCA9802 for bus B and TCA9800 for bus C), but it is also ok to use the TCA9802 or the TCA9803 on both busses, because they both satisfy the design requirements of both busses.

**10.2.3.3 Application Curves**



**10.2.4 Series Device Use Case**

The TCA980x family supports multiple TCA980x used in series. It is acceptable to connect A sides together, or have A sides connect to B sides, but B-sides may never be connected together.

It is critical to note that there are no external sources of current allowed on the B-side ports, since this can affect device operation as shown in the [I<sub>EXT-I</sub>](#) section.

NOTE: B-sides of TCA980x devices may never be connected to each other, because the  $I_{EXT-I}$  specification limit is violated. See the  $I_{EXT-I}$  for more information.

NOTE: The B-side may not be connected to another translator if it uses a static-voltage offset. The  $R_{ILC}$  spec is violated since the static voltage offset adjusts the output resistance to ground to be outside of the  $R_{ILC}$  spec requirement, causing the TCA980x to be unable to recognize a low.



Copyright © 2017, Texas Instruments Incorporated

Figure 34. Series Use Case

**NOTE**

Decoupling capacitors are not shown to keep the illustration simple. Decoupling capacitors (1  $\mu$ F and 0.1  $\mu$ F) must be placed close to each power supply pin.

**10.2.4.1 Design Requirements**

The system designer must first select the correct variant of the TCA980x family for the load. In order to do this, the information in Table 10 and Table 11 must be known. The setup in Figure 34 is used for these example design requirements.

Table 10. Design Requirements for Bus B / 1<sup>st</sup> TCA980x

Parameter	Description	Acceptable Range	Example Value/Target
$C_L$	Load capacitance (bus capacitance) on B-side	up to 400 pF	300 pF
$t_r$	Rise time	up to 300 ns	$\leq 200$ ns
$V_{CCA}$	VCCA supply voltage	0.8 V-3.6 V	1.65 V
$V_{CCB}$	VCCB supply voltage	1.65 V-3.6 V	3.3 V
$f_{SCL}$	I <sup>2</sup> C clock frequency		400 kHz

Table 11. Design Requirements for Bus C / 2<sup>nd</sup> TCA980x

Parameter	Description	Acceptable Range	Example Value/Target
$C_L$	Load capacitance (bus capacitance) on B-side	up to 400 pF	100 pF
$t_r$	Rise time	up to 300 ns	$\leq 250$ ns
$V_{CCA}$	VCCA supply voltage	0.8 V-3.6 V	3.3 V
$V_{CCB}$	VCCB supply voltage	1.65 V-3.6 V	1.65 V
$f_{SCL}$	I <sup>2</sup> C clock frequency		400 kHz

### 10.2.4.2 Detailed Design Procedure

Selecting the pull-up resistor required for the A-side (Bus A) is well documented already, see the [I2C Bus Pullup Resistor Calculation](#) application report. The rest of this section deals only with selection of a device based on the B-side design requirements.

Selection process of each device is identical to the procedure described in the [Device Selection Guide](#) section, except that it must be done for each individual TCA980x. This section jumps straight to the selection graphs to show the selection process. See the [Detailed Design Procedure](#) section for single device for detailed information.



Figure 35. Selection Guide Based On Example Design Requirements for Bus B

Based on [Figure 35](#), the TCA9803 is the only device which can satisfy the design requirements. Had the rise time requirement been  $\leq 300$  ns, then the TCA9802 also works, but the design requirement was 200 ns.

Based on [Figure 36](#), all 4 variants of the TCA980x family meet the design requirements. The TCA9800 is the most optimized selection, but any of the variants can be used without issue.

As the system designer, the choice can be made to go for the most optimized part selections (TCA9803 for bus B and TCA9800 for bus C), but it is also ok to use the TCA9803 on both busses, because it can satisfy the design requirements of both busses.

### 10.2.4.3 Application Curve



Figure 36. Selection Guide Based on Example Design Requirements for Bus C

## 11 Power Supply Recommendations

The following need to be ensured when designing with the TCA980x family:

- $V_{CCA}$  is within the recommended voltage range
- $V_{CCB}$  is within the recommended voltage range

There are no supply sequencing requirements,  $V_{CCA}$  may ramp before, after, or at the same time as  $V_{CCB}$ .

There are no supply dependency requirements.  $V_{CCA}$  may be greater than, less than, or equal to  $V_{CCB}$ . Each supply has its own requirement of voltage range, but there is no required relationship between  $V_{CCA}$  and  $V_{CCB}$  values.

It is recommended that decoupling capacitors be used on the power supplies (0.1  $\mu$ F and 1  $\mu$ F) and that they be placed as close as possible to the  $V_{CCA}$  and  $V_{CCB}$  pins.

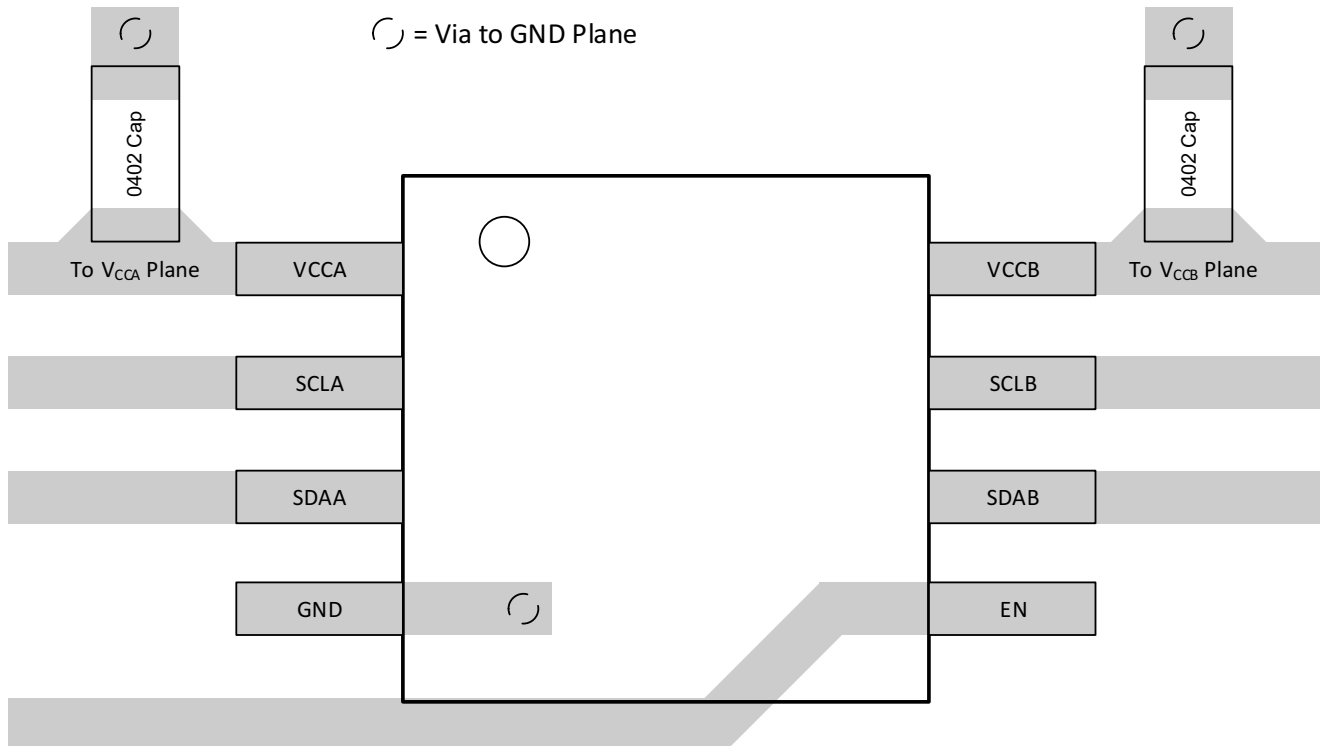
## 12 Layout

### 12.1 Layout Guidelines

There are no special considerations required for most I<sup>2</sup>C translators, but there are common practices which are always recommended.

It is recommended that decoupling capacitors be used on the power supplies (0.1  $\mu$ F and 1  $\mu$ F) and that they be placed as close as possible to the VCCA and VCCB pins.

### 12.2 Layout Example



**Figure 37. TCA980x DGK Layout Example**

## 13 Device and Documentation Support

### 13.1 Documentation Support

For related documentation see the following:

- [I2C Bus Pull-Up Resistor Calculation](#)
- [Maximum Clock Frequency of I2C Bus Using Repeaters](#)
- [Introduction to Logic](#)
- [Understanding the I2C Bus](#)
- [Choosing the Correct I2C Device for New Designs](#)

### 13.2 Receiving Notification of Documentation Updates

To receive notification of documentation updates, navigate to the device product folder on [ti.com](http://ti.com). In the upper right corner, click on *Alert me* to register and receive a weekly digest of any product information that has changed. For change details, review the revision history included in any revised document.

### 13.3 Support Resources

[TI E2E™ support forums](#) are an engineer's go-to source for fast, verified answers and design help — straight from the experts. Search existing answers or ask your own question to get the quick design help you need.

Linked content is provided "AS IS" by the respective contributors. They do not constitute TI specifications and do not necessarily reflect TI's views; see TI's [Terms of Use](#).

### 13.4 Trademarks

E2E is a trademark of Texas Instruments.

All other trademarks are the property of their respective owners.

### 13.5 Electrostatic Discharge Caution



This integrated circuit can be damaged by ESD. Texas Instruments recommends that all integrated circuits be handled with appropriate precautions. Failure to observe proper handling and installation procedures can cause damage.

ESD damage can range from subtle performance degradation to complete device failure. Precision integrated circuits may be more susceptible to damage because very small parametric changes could cause the device not to meet its published specifications.

### 13.6 Glossary

[SLYZ022](#) — *TI Glossary*.

This glossary lists and explains terms, acronyms, and definitions.

## 14 Mechanical, Packaging, and Orderable Information

The following pages include mechanical, packaging, and orderable information. This information is the most current data available for the designated devices. This data is subject to change without notice and revision of this document. For browser-based versions of this data sheet, refer to the left-hand navigation.

**PACKAGING INFORMATION**

Orderable part number	Status (1)	Material type (2)	Package   Pins	Package qty   Carrier	RoHS (3)	Lead finish/ Ball material (4)	MSL rating/ Peak reflow (5)	Op temp (°C)	Part marking (6)
<a href="#">TCA9802DGKR</a>	Active	Production	VSSOP (DGK)   8	2500   LARGE T&R	Yes	NIPDAU   SN   NIPDAUAG	Level-1-260C-UNLIM	-40 to 125	14Z
TCA9802DGKR.A	Active	Production	VSSOP (DGK)   8	2500   LARGE T&R	Yes	NIPDAU	Level-1-260C-UNLIM	-40 to 125	14Z
<a href="#">TCA9802DGKT</a>	Active	Production	VSSOP (DGK)   8	250   SMALL T&R	Yes	NIPDAU   SN   NIPDAUAG	Level-1-260C-UNLIM	-40 to 125	14Z
TCA9802DGKT.A	Active	Production	VSSOP (DGK)   8	250   SMALL T&R	Yes	NIPDAU	Level-1-260C-UNLIM	-40 to 125	14Z

(1) **Status:** For more details on status, see our [product life cycle](#).

(2) **Material type:** When designated, preproduction parts are prototypes/experimental devices, and are not yet approved or released for full production. Testing and final process, including without limitation quality assurance, reliability performance testing, and/or process qualification, may not yet be complete, and this item is subject to further changes or possible discontinuation. If available for ordering, purchases will be subject to an additional waiver at checkout, and are intended for early internal evaluation purposes only. These items are sold without warranties of any kind.

(3) **RoHS values:** Yes, No, RoHS Exempt. See the [TI RoHS Statement](#) for additional information and value definition.

(4) **Lead finish/Ball material:** Parts may have multiple material finish options. Finish options are separated by a vertical ruled line. Lead finish/Ball material values may wrap to two lines if the finish value exceeds the maximum column width.

(5) **MSL rating/Peak reflow:** The moisture sensitivity level ratings and peak solder (reflow) temperatures. In the event that a part has multiple moisture sensitivity ratings, only the lowest level per JEDEC standards is shown. Refer to the shipping label for the actual reflow temperature that will be used to mount the part to the printed circuit board.

(6) **Part marking:** There may be an additional marking, which relates to the logo, the lot trace code information, or the environmental category of the part.

Multiple part markings will be inside parentheses. Only one part marking contained in parentheses and separated by a "-" will appear on a part. If a line is indented then it is a continuation of the previous line and the two combined represent the entire part marking for that device.

**Important Information and Disclaimer:**The information provided on this page represents TI's knowledge and belief as of the date that it is provided. TI bases its knowledge and belief on information provided by third parties, and makes no representation or warranty as to the accuracy of such information. Efforts are underway to better integrate information from third parties. TI has taken and continues to take reasonable steps to provide representative and accurate information but may not have conducted destructive testing or chemical analysis on incoming materials and chemicals. TI and TI suppliers consider certain information to be proprietary, and thus CAS numbers and other limited information may not be available for release.

In no event shall TI's liability arising out of such information exceed the total purchase price of the TI part(s) at issue in this document sold by TI to Customer on an annual basis.

**TAPE AND REEL INFORMATION**

**QUADRANT ASSIGNMENTS FOR PIN 1 ORIENTATION IN TAPE**


\*All dimensions are nominal

Device	Package Type	Package Drawing	Pins	SPQ	Reel Diameter (mm)	Reel Width W1 (mm)	A0 (mm)	B0 (mm)	K0 (mm)	P1 (mm)	W (mm)	Pin1 Quadrant
TCA9802DGKR	VSSOP	DGK	8	2500	330.0	12.4	5.3	3.4	1.4	8.0	12.0	Q1
TCA9802DGKT	VSSOP	DGK	8	250	330.0	12.4	5.3	3.4	1.4	8.0	12.0	Q1

**TAPE AND REEL BOX DIMENSIONS**


\*All dimensions are nominal

Device	Package Type	Package Drawing	Pins	SPQ	Length (mm)	Width (mm)	Height (mm)
TCA9802DGKR	VSSOP	DGK	8	2500	353.0	353.0	32.0
TCA9802DGKT	VSSOP	DGK	8	250	353.0	353.0	32.0

# DGK0008A



# PACKAGE OUTLINE

VSSOP - 1.1 mm max height

SMALL OUTLINE PACKAGE



**NOTES:**

PowerPAD is a trademark of Texas Instruments.

1. All linear dimensions are in millimeters. Any dimensions in parenthesis are for reference only. Dimensioning and tolerancing per ASME Y14.5M.
2. This drawing is subject to change without notice.
3. This dimension does not include mold flash, protrusions, or gate burrs. Mold flash, protrusions, or gate burrs shall not exceed 0.15 mm per side.
4. This dimension does not include interlead flash. Interlead flash shall not exceed 0.25 mm per side.
5. Reference JEDEC registration MO-187.

# EXAMPLE BOARD LAYOUT

DGK0008A

™ VSSOP - 1.1 mm max height

SMALL OUTLINE PACKAGE



LAND PATTERN EXAMPLE  
EXPOSED METAL SHOWN  
SCALE: 15X



SOLDER MASK DETAILS

4214862/A 04/2023

NOTES: (continued)

6. Publication IPC-7351 may have alternate designs.
7. Solder mask tolerances between and around signal pads can vary based on board fabrication site.
8. Vias are optional depending on application, refer to device data sheet. If any vias are implemented, refer to their locations shown on this view. It is recommended that vias under paste be filled, plugged or tented.
9. Size of metal pad may vary due to creepage requirement.

# EXAMPLE STENCIL DESIGN

DGK0008A

<sup>TM</sup> VSSOP - 1.1 mm max height

SMALL OUTLINE PACKAGE



SOLDER PASTE EXAMPLE  
SCALE: 15X

4214862/A 04/2023

NOTES: (continued)

11. Laser cutting apertures with trapezoidal walls and rounded corners may offer better paste release. IPC-7525 may have alternate design recommendations.
12. Board assembly site may have different recommendations for stencil design.

## IMPORTANT NOTICE AND DISCLAIMER

TI PROVIDES TECHNICAL AND RELIABILITY DATA (INCLUDING DATASHEETS), DESIGN RESOURCES (INCLUDING REFERENCE DESIGNS), APPLICATION OR OTHER DESIGN ADVICE, WEB TOOLS, SAFETY INFORMATION, AND OTHER RESOURCES "AS IS" AND WITH ALL FAULTS, AND DISCLAIMS ALL WARRANTIES, EXPRESS AND IMPLIED, INCLUDING WITHOUT LIMITATION ANY IMPLIED WARRANTIES OF MERCHANTABILITY, FITNESS FOR A PARTICULAR PURPOSE OR NON-INFRINGEMENT OF THIRD PARTY INTELLECTUAL PROPERTY RIGHTS.

These resources are intended for skilled developers designing with TI products. You are solely responsible for (1) selecting the appropriate TI products for your application, (2) designing, validating and testing your application, and (3) ensuring your application meets applicable standards, and any other safety, security, regulatory or other requirements.

These resources are subject to change without notice. TI grants you permission to use these resources only for development of an application that uses the TI products described in the resource. Other reproduction and display of these resources is prohibited. No license is granted to any other TI intellectual property right or to any third party intellectual property right. TI disclaims responsibility for, and you fully indemnify TI and its representatives against any claims, damages, costs, losses, and liabilities arising out of your use of these resources.

TI's products are provided subject to [TI's Terms of Sale](#), [TI's General Quality Guidelines](#), or other applicable terms available either on [ti.com](#) or provided in conjunction with such TI products. TI's provision of these resources does not expand or otherwise alter TI's applicable warranties or warranty disclaimers for TI products. Unless TI explicitly designates a product as custom or customer-specified, TI products are standard, catalog, general purpose devices.

TI objects to and rejects any additional or different terms you may propose.

Copyright © 2026, Texas Instruments Incorporated

Last updated 10/2025