

## TLV8x3 3-Pin Voltage Supervisors with Active-Low, Open-Drain Reset

### 1 Features

- 3-Pin SOT23 Package
- Supply Current: 9  $\mu$ A (Typical)
- Precision Supply Voltage Monitor: 2.5 V, 3 V, 3.3 V, 5 V
- Power-On Reset Generator with Fixed Delay Time of 200 ms
- Pin-for-Pin Compatible with MAX803
- Temperature Range:  $-40^{\circ}\text{C}$  to  $+125^{\circ}\text{C}$
- Open-Drain,  $\overline{\text{RESET}}$  Output

### 2 Applications

- [Factory Automation](#)
- [Portable and Battery-Powered Equipment](#)
- [Set-Top Boxes](#)
- [Servers](#)
- [Appliances](#)
- [Electricity Meters](#)
- [Building Automation](#)

### 3 Description

The TLV8x3 family of supervisory circuits provides circuit initialization and timing supervision, primarily for DSPs and processor-based systems.

The TLV803, TLV853, and TLV863 are functionally equivalent. The TLV853 and TLV863 provide an alternate pinout of the TLV803. The newer [TLV803E](#) device is a pin-to-pin alternative to all of these 3.

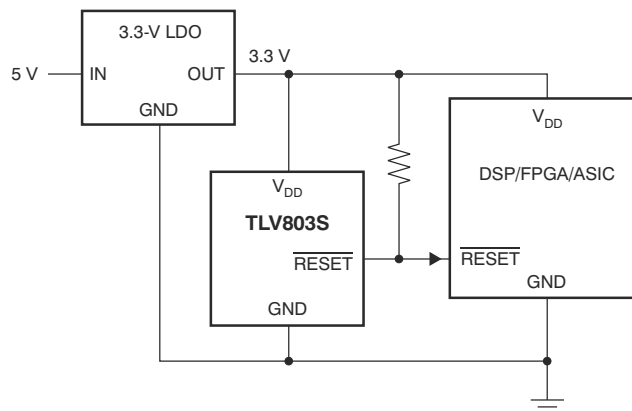
During power on,  $\overline{\text{RESET}}$  asserts when the supply voltage ( $V_{\text{DD}}$ ) exceeds 1.1 V. Thereafter, the supervisory circuit monitors  $V_{\text{DD}}$  and keeps  $\overline{\text{RESET}}$  active as long as  $V_{\text{DD}}$  remains below the threshold voltage  $V_{\text{IT}}$ . An internal timer delays the return of the output to the inactive state (high) to ensure proper system reset. The delay time ( $t_{\text{d(typ)}} = 200 \text{ ms}$ ) starts after  $V_{\text{DD}}$  exceeds the threshold voltage,  $V_{\text{IT}}$ . When the supply voltage drops below the  $V_{\text{IT}}$  threshold voltage, the output is active (low) again. All the devices in this family have a fixed sense-threshold voltage ( $V_{\text{IT}}$ ) set by an internal voltage divider.

The product spectrum is designed for supply voltages of 2.5 V, 3 V, 3.3 V, and 5 V. These devices are available in a 3-pin SOT-23 package. The TLV803 devices are characterized for operation over a temperature range of  $-40^{\circ}\text{C}$  to  $+125^{\circ}\text{C}$ .

#### Device Information (1)

| PART NUMBER | PACKAGE    | BODY SIZE (NOM)          |
|-------------|------------|--------------------------|
| TLV8x3      | SOT-23 (3) | 2.92 mm $\times$ 1.30 mm |

- (1) For all available packages, see the package option addendum at the end of the data sheet.



**Typical Application**



## Table of Contents

|   |   |  |    |
|---|---|--|----|
| <b>1 Features</b> .....                           | 1 | 8.4 Device Functional Modes.....                                 | 9  |
| <b>2 Applications</b> .....                       | 1 | <b>9 Application and Implementation</b> .....                    | 10 |
| <b>3 Description</b> .....                        | 1 | 9.1 Application Information.....                                 | 10 |
| <b>4 Revision History</b> .....                   | 2 | 9.2 Typical Application.....                                     | 11 |
| <b>5 Device Comparison</b> .....                  | 4 | <b>10 Power Supply Recommendations</b> .....                     | 12 |
| <b>6 Pin Configuration and Functions</b> .....    | 4 | <b>11 Layout</b> .....   | 13 |
| Pin Functions.....                                | 4 | 11.1 Layout Guidelines.....                                      | 13 |
| <b>7 Specifications</b> .....                     | 5 | 11.2 Layout Example.....   | 13 |
| 7.1 Absolute Maximum Ratings <sup>(1)</sup> ..... | 5 | <b>12 Device and Documentation Support</b> .....                 | 14 |
| 7.2 ESD Ratings.....                              | 5 | 12.1 Device Support.....   | 14 |
| 7.3 Thermal Information.....                      | 5 | 12.2 Documentation Support.....                                  | 14 |
| 7.4 Recommended Operating Conditions.....         | 5 | 12.3 Related Links.....  | 14 |
| 7.5 Electrical Characteristics.....               | 6 | 12.4 Support Resources.....                                      | 14 |
| 7.6 Switching Characteristics.....                | 6 | 12.5 Trademarks.....   | 15 |
| 7.7 Typical Characteristics.....                  | 7 | 12.6 Electrostatic Discharge Caution.....                        | 15 |
| <b>8 Detailed Description</b> .....               | 8 | 12.7 Glossary.....   | 15 |
| 8.1 Overview.....                                 | 8 | <b>13 Mechanical, Packaging, and Orderable Information</b> ..... | 15 |
| 8.2 Functional Block Diagram.....                 | 8 |  |    |
| 8.3 Feature Description.....                      | 8 |  |    |

## 4 Revision History

NOTE: Page numbers for previous revisions may differ from page numbers in the current version.

### Changes from Revision D (November 2020) to Revision E (December 2020) Page

- Corrected missed VDD change from 7 to 6.5 in *Absolute Maximum Ratings* in note 2.....5

### Changes from Revision C (September 2015) to Revision D (November 2020) Page

- Updated the numbering format for tables, figures, and cross-references throughout the document.....1
- Added new sentence regarding TLV803E to *Description* section.....1
- Changed VDD from 7 to 6.5 in *Absolute Maximum Ratings* .....5
- Changed  $V_{OL}@ 500\mu A$  from 0.2 to 0.3 in *Electrical Characteristics* .....6
- Changed  $I_{OH}$  from 100 nA to 350 nA in *Electrical Characteristics* .....6
- Changed  $t_w$  from 1 to 10  $\mu s$  in *Switching Characteristics* .....6
- Deleted figure Minimum Pulse Duration At  $V_{DD}$  vs Overdrive Voltage in Typical Characteristics.....7
- Changed figure from Pulse Duration to  $V_{OL}$ ,  $I_{OL}$  in the Typical Application Section.....12

### Changes from Revision B (August 2011) to Revision C (September 2015) Page

- Added TLV853 device to data sheet .....1
- Changed device part numbers shown on page header to show single TLV803 device instead of lettered-device versions.....1
- Added *Device Information* and *ESD Ratings* tables.....1
- Added *Detailed Description*, *Application and Implementation*, *Power-Supply Recommendations*, *Layout*, *Device and Documentation Support*, and *Mechanical, Packaging, and Orderable Information* sections.....1
- Changed *Applications* section bullets .....1
- Deleted pinouts from front page and moved to *Pin Configurations and Functions* section.....1
- Changed "free-air temperature" to "junction temperature" in *Absolute Maximum Ratings* condition statement ..5
- Deleted *Soldering temperature* from *Absolute Maximum Ratings* table .....5
- Changed *Thermal Information* table; updated thermal resistance values for all parameters .....5
- Changed "free-air temperature" to "junction temperature" in *Electrical Characteristics* condition statement ....6

- 
- Changed temperature noted in *Switching Characteristics* condition statement .....6
- 

**Changes from Revision A (June 2011) to Revision B (August 2011) Page**

- Added new paragraph regarding TLV863 to *Description* section..... 1
  - Added TLV863 pinout to front page..... 1
  - Added TLV863 to Thermal Information.....5
  - Added TLV863M to Negative-Going Input Threshold Voltage parameter.....6
  - Added TLV863M to Hysteresis parameter.....6
  - Added TLV863 to Functional Block Diagram..... 8
-

## 5 Device Comparison

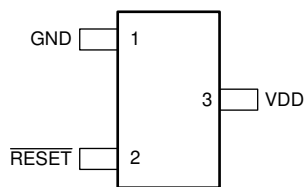
**Table 5-1. Device Threshold Options**

| DEVICE  | THRESHOLD VOLTAGE |
|---------|-------------------|
| TLV803Z | 2.25 V            |
| TLV803R | 2.64 V            |
| TLV803S | 2.93 V            |
| TLV803M | 4.38 V            |
| TLV853M | 4.38 V            |
| TLV863M | 4.38 V            |

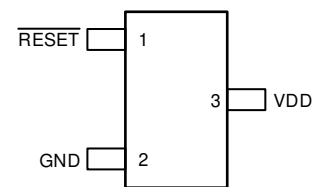
**Table 5-2. Device Family Comparison**

| DEVICE                 | FUNCTION                 |
|------------------------|--------------------------|
| TLV803                 | Open-Drain, RESET Output |
| <a href="#">TLV809</a> | Push-Pull, RESET Output  |
| <a href="#">TLV810</a> | Push-Pull, RESET Output  |

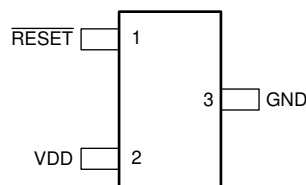
## 6 Pin Configuration and Functions



**Figure 6-1. TLV803: DBZ Package  
3-Pin SOT-23  
Top View**



**Figure 6-2. TLV853: DBZ Package  
3-Pin SOT-23  
Top View**



**Figure 6-3. TLV863: DBZ Package  
3-Pin SOT-23  
Top View**

## Pin Functions

| NAME  | PIN    |        |        | I/O | DESCRIPTION   |
|-------|--------|--------|--------|-----|---|
|       | TLV803 | TLV853 | TLV863 |     |   |
| GND   | 1      | 2      | 3      | —   | Ground pin.   |
| RESET | 2      | 1      | 1      | O   | RESET is an open-drain output that is driven to a low impedance state when RESET is asserted. RESET remains low (asserted) for the delay time ( $t_d$ ) after $V_{DD}$ exceeds $V_{IT-}$ . Use a 10-k $\Omega$ to 1-M $\Omega$ pullup resistor on this pin. The pullup voltage is not limited by $V_{DD}$ . |
| VDD   | 3      | 3      | 2      | I   | Supply voltage pin. It is good analog design practice to place a 0.1- $\mu$ F ceramic capacitor close to this pin.  |

## 7 Specifications

### 7.1 Absolute Maximum Ratings <sup>(1)</sup>

over operating junction temperature range (unless otherwise noted)

|             |   | MIN  | MAX  | UNIT |
|-------------|---|------|------|------|
| Voltage     | VDD <sup>(2)</sup>  | 0    | 6.5  | V    |
|             | All other pins <sup>(2)</sup>   | -0.3 | +6.5 |      |
| Current     | Maximum low output current, I <sub>OL</sub>   |      | 5    | mA   |
|             | Maximum high output current, I <sub>OH</sub>  |      | -5   |      |
|             | Input clamp current, I <sub>IK</sub> (V <sub>I</sub> < 0 or V <sub>I</sub> > V <sub>DD</sub> )  |      | ±20  |      |
|             | Output clamp current, I <sub>OK</sub> (V <sub>O</sub> < 0 or V <sub>O</sub> > V <sub>DD</sub> ) |      | ±20  |      |
| Temperature | Operating junction temperature range, T <sub>J</sub>  | -40  | 125  | °C   |
|             | Storage temperature range, T <sub>stg</sub>   | -65  | 150  |      |

- (1) Stresses beyond those listed under *Absolute Maximum Ratings* may cause permanent damage to the device. These are stress ratings only, and functional operation of the device at these or any other conditions beyond those indicated under *Recommended Operating Conditions* is not implied. Exposure to absolute-maximum-rated conditions for extended periods may affect device reliability.
- (2) All voltage values are with respect to GND. For reliable operation the device should not be operated at 6.5 V for more than t = 1000h continuously

### 7.2 ESD Ratings

|                    |                         |  | VALUE | UNIT |
|--------------------|-------------------------|--|-------|------|
| V <sub>(ESD)</sub> | Electrostatic discharge | Human-body model (HBM), per ANSI/ESDA/JEDEC JS-001 <sup>(1)</sup>              | ±2000 | V    |
|                    |                         | Charged-device model (CDM), per JEDEC specification JESD22-C101 <sup>(2)</sup> | ±500  |      |

- (1) JEDEC document JEP155 states that 500-V HBM allows safe manufacturing with a standard ESD control process.
- (2) JEDEC document JEP157 states that 250-V CDM allows safe manufacturing with a standard ESD control process.

### 7.3 Thermal Information

| THERMAL METRIC <sup>(1)</sup> |  | TLV8x3       | UNITS |
|-------------------------------|--|--------------|-------|
|                               |  | DBZ (SOT-23) |       |
|                               |  | 3 PINS       |       |
| R <sub>θJA</sub>              | Junction-to-ambient thermal resistance       | 328.5        | °C/W  |
| R <sub>θJC(top)</sub>         | Junction-to-case (top) thermal resistance    | 135.4        | °C/W  |
| R <sub>θJB</sub>              | Junction-to-board thermal resistance         | 58.3         | °C/W  |
| ψ <sub>JT</sub>               | Junction-to-top characterization parameter   | 5.2          | °C/W  |
| ψ <sub>JB</sub>               | Junction-to-board characterization parameter | 59.6         | °C/W  |
| R <sub>θJC(bot)</sub>         | Junction-to-case (bottom) thermal resistance | N/A          | °C/W  |

- (1) For more information about traditional and new thermal metrics, see the *IC Package Thermal Metrics* application report, [SPRA953](#).

### 7.4 Recommended Operating Conditions

at specified temperature range (unless otherwise noted)

|                 |                                | MIN | MAX | UNIT |
|-----------------|--------------------------------|-----|-----|------|
| V <sub>DD</sub> | Supply voltage                 | 1.1 | 6   | V    |
| T <sub>J</sub>  | Operating junction temperature | -40 | 125 | °C   |

## 7.5 Electrical Characteristics

over recommended operating junction temperature range (unless otherwise noted)

| PARAMETER                             |   | TEST CONDITIONS  | MIN     | TYP  | MAX  | UNIT |    |
|---------------------------------------|---|--|---------|------|------|------|----|
| V <sub>OL</sub>                       | Low-level output voltage                              | V <sub>DD</sub> = 2 V to 6 V, I <sub>OL</sub> = 500 μA |         |      | 0.3  | V    |    |
|                                       |   | V <sub>DD</sub> = 3.3 V, I <sub>OL</sub> = 2 mA        |         |      | 0.4  |      |    |
|                                       |   | V <sub>DD</sub> = 6 V, I <sub>OL</sub> = 4 mA          |         |      | 0.4  |      |    |
| Power-up reset voltage <sup>(1)</sup> |   | I <sub>OL</sub> = 50 μA, V <sub>OL</sub> < 0.2 V       | 1.1     |      |      | V    |    |
| V <sub>IT-</sub>                      | Negative-going input threshold voltage <sup>(2)</sup> | T <sub>J</sub> = -40°C to +125°C                       | TLV803Z | 2.20 | 2.25 | 2.30 | V  |
|                                       |   |  | TLV803R | 2.58 | 2.64 | 2.70 |    |
|                                       |   |  | TLV803S | 2.87 | 2.93 | 2.99 |    |
|                                       |   |  | TLV8x3M | 4.28 | 4.38 | 4.48 |    |
| V <sub>hys</sub>                      | Hysteresis  | T <sub>J</sub> = 25°C, I <sub>OL</sub> = 50 μA         | TLV803Z |      | 30   |      | mV |
|                                       |   |  | TLV803R |      | 35   |      |    |
|                                       |   |  | TLV803S |      | 40   |      |    |
|                                       |   |  | TLV8x3M |      | 60   |      |    |
| I <sub>DD</sub>                       | Supply current  | V <sub>DD</sub> = 2 V, output unconnected              |         | 9    | 15   | μA   |    |
|                                       |   | V <sub>DD</sub> = 6 V, output unconnected              |         | 20   | 30   |      |    |
| I <sub>OH</sub>                       | Output leakage current                                | V <sub>DD</sub> = 6 V                                  |         |      | 350  | nA   |    |

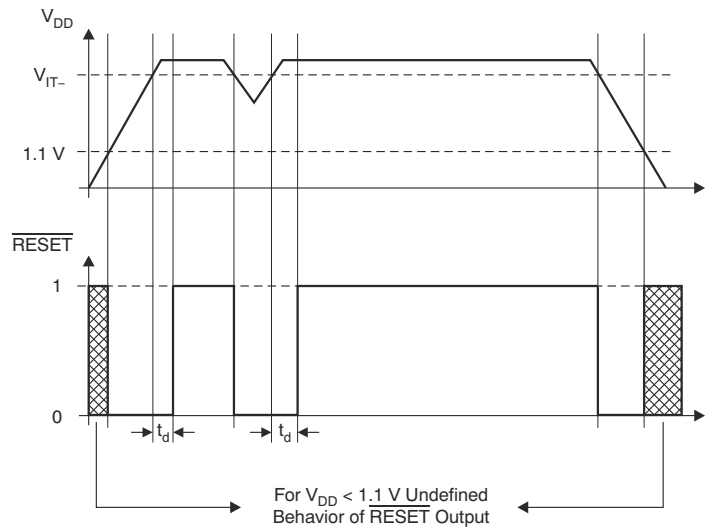
(1) The lowest supply voltage at which  $\overline{\text{RESET}}$  becomes valid.  $t_{r,VDD} \leq 66.7$  V/ms.

(2) To ensure best stability of the threshold voltage, place a bypass capacitor (0.1-μF ceramic) near the supply terminals.

## 7.6 Switching Characteristics

over operating temperature range (unless otherwise noted)

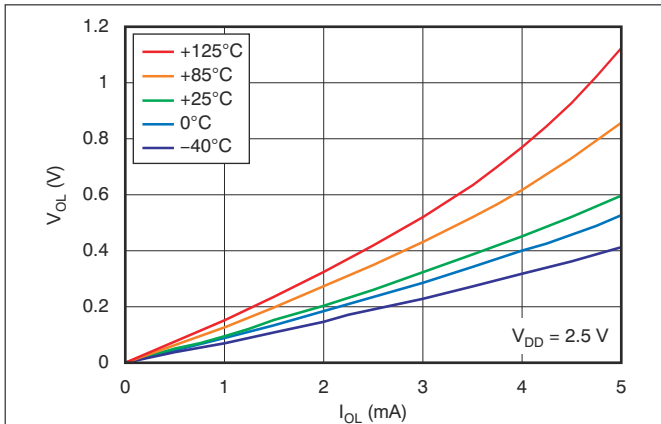
| PARAMETER      | TEST CONDITIONS                   | MIN  | TYP | MAX | UNIT |    |
|----------------|-----------------------------------|--|-----|-----|------|----|
| t <sub>w</sub> | Pulse duration at V <sub>DD</sub> |  | 10  |     | μs   |    |
| t <sub>d</sub> | Delay time                        | V <sub>DD</sub> ≥ V <sub>IT-</sub> + 0.2 V; see <a href="#">Timing Diagram</a> | 120 | 200 | 280  | ms |



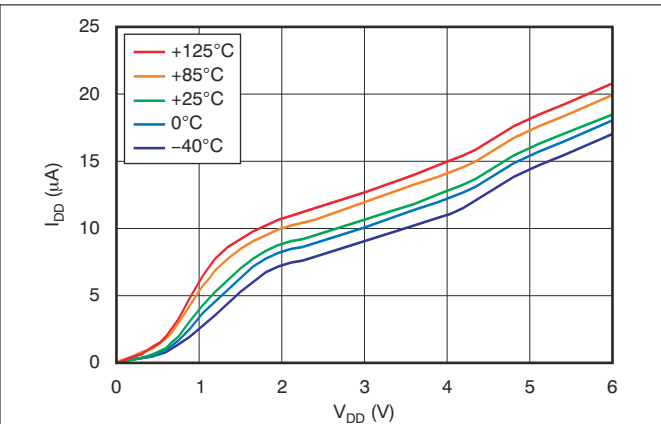
**Figure 7-1. Timing Diagram**

### 7.7 Typical Characteristics

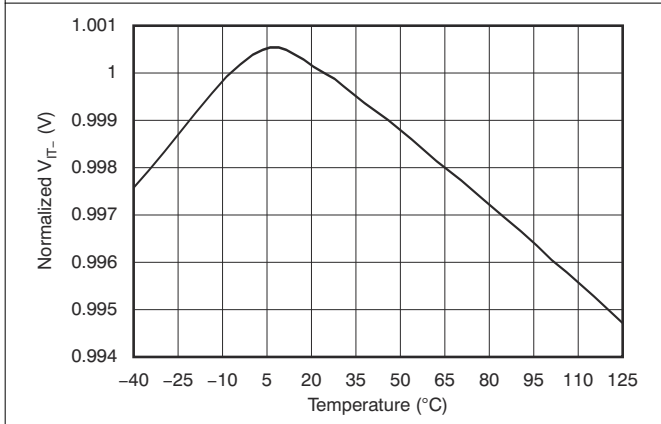
at  $T_J = 25^\circ\text{C}$ ,  $V_{IT-} = 4.38\text{ V}$ , and  $V_{DD} = 5.0\text{ V}$  (unless otherwise noted)



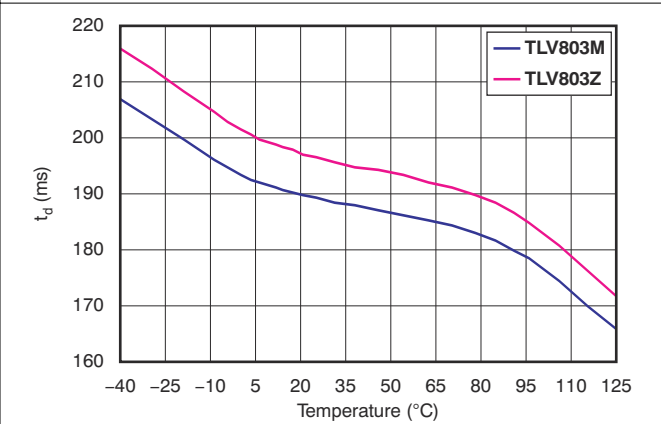
**Figure 7-2. Low-Level Output Voltage vs Low-Level Output Current**



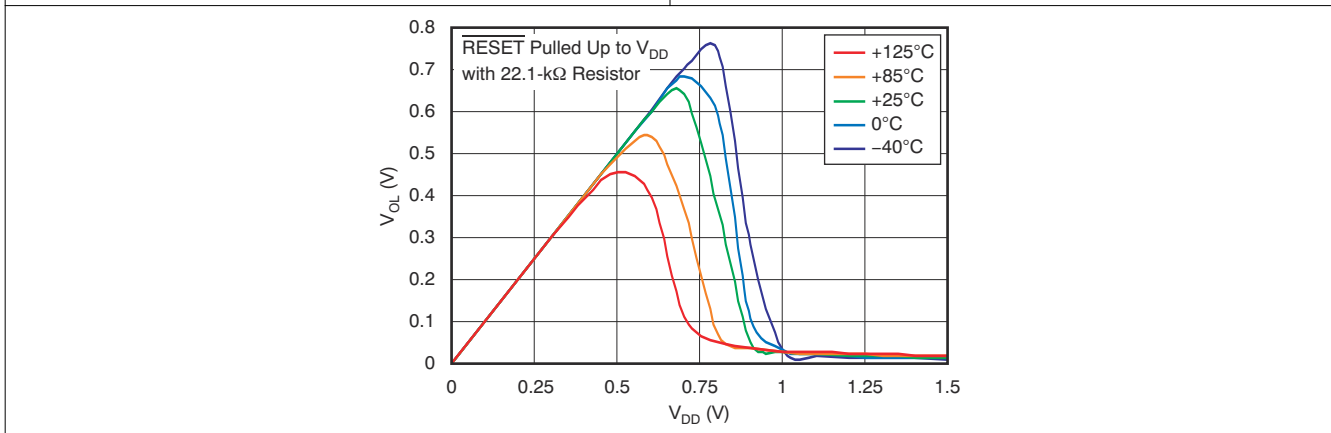
**Figure 7-3. Supply Current vs Supply Voltage**



**Figure 7-4. Normalized to 25°C Negative-Going Input Threshold Voltage vs Temperature**



**Figure 7-5. Delay Time vs Temperature**



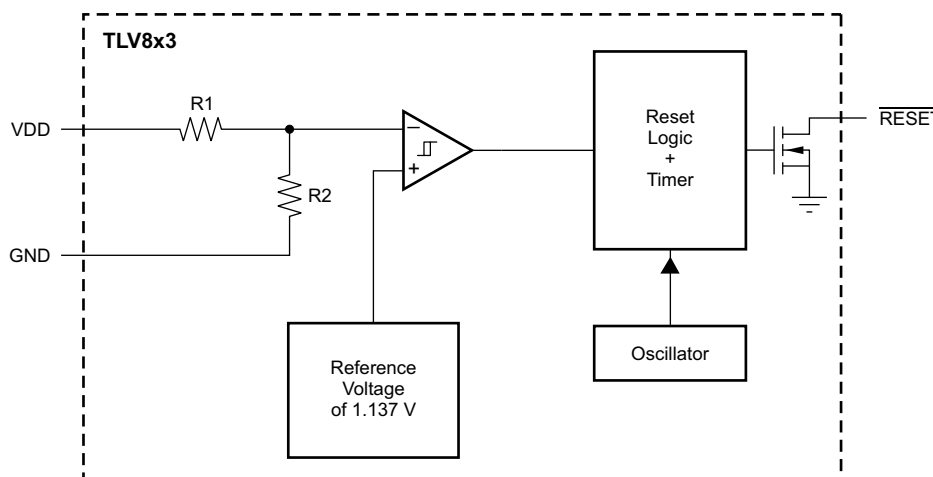
**Figure 7-6. Power-Up Low-Level Output Voltage vs Supply Voltage**

## 8 Detailed Description

### 8.1 Overview

The TLV803 family of supervisory circuits provides circuit initialization and timing supervision. The TLV853 and TLV863 are both functionally equivalent to the TLV803. These devices output a logic low whenever  $V_{DD}$  drops below the negative-going threshold voltage ( $V_{IT-}$ ). The output,  $\overline{\text{RESET}}$ , remains low for approximately 200 ms after the  $V_{DD}$  voltage exceeds the positive-going threshold voltage ( $V_{IT-} + V_{hys}$ ). These devices are designed to ignore fast transients on the  $V_{DD}$  pin.

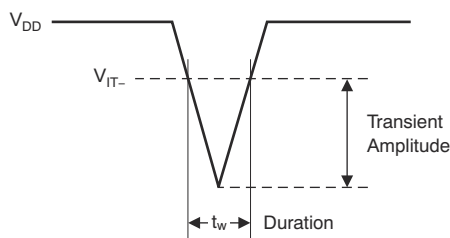
### 8.2 Functional Block Diagram



### 8.3 Feature Description

#### 8.3.1 $V_{DD}$ Transient Rejection

The TLV803 has built-in rejection of fast transients on the  $V_{DD}$  pin. The rejection of transients depends on both the duration and the amplitude of the transient. The amplitude of the transient is measured from the bottom of the transient to the negative threshold voltage of the TLV803, as shown in Figure 8-1.

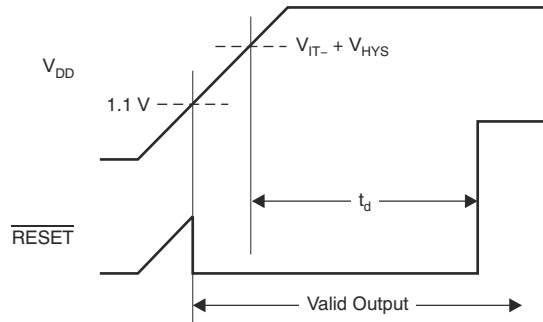


**Figure 8-1. Voltage Transient Measurement**

The TLV803 does not respond to transients that are fast duration/low amplitude or long duration/small amplitude. Transients meeting or longer than the  $t_w$  specified in the [switching characteristics section](#) triggers a reset.

### 8.3.2 Reset During Power Up and Power Down

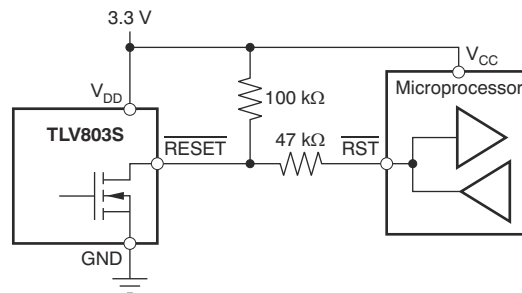
The TLV803 output is valid when  $V_{DD}$  is greater than 1.1 V. When  $V_{DD}$  is less than 1.1 V, the output transistor turns off and becomes high impedance. The voltage on the  $\overline{\text{RESET}}$  pin rises to the voltage level connected to the pull-up resistor. Figure 8-2 shows a typical waveform for power-up, assuming the  $\overline{\text{RESET}}$  pin has a pull-up resistor connected to the  $V_{DD}$  pin.



**Figure 8-2. Power-Up Response**

### 8.3.3 Bidirectional Reset Pins

Some microcontrollers have bidirectional reset pins that act as both inputs and outputs. In a situation where the TLV803 is pulling the  $\overline{\text{RESET}}$  line low while the microcontroller is trying to force the  $\overline{\text{RESET}}$  line high, a series resistor should be placed between the output of the TLV803 and the  $\overline{\text{RESET}}$  pin of the microcontroller to protect against excessive current flow. Figure 8-3 shows the connection of the TLV803 to a microcontroller using a series resistor to drive a bidirectional  $\overline{\text{RESET}}$  line.



**Figure 8-3. Connection To Bidirectional Reset Pin**

## 8.4 Device Functional Modes

### 8.4.1 Normal Operation ( $V_{DD} > \text{Power-Up Reset Voltage}$ )

When the voltage on  $V_{DD}$  is greater than 1.1 V, the  $\overline{\text{RESET}}$  signal asserts when  $V_{DD}$  is less than  $V_{IT-}$  and deasserts when  $V_{DD}$  is greater than  $V_{IT-}$ .

### 8.4.2 Power On Reset ( $V_{DD} < \text{Power-Up Reset Voltage}$ )

When the voltage on  $V_{DD}$  is lower than the required voltage to internally pull the asserted output to GND (power-up reset voltage), both outputs are in a high-impedance state.

## 9 Application and Implementation

### Note

Information in the following applications sections is not part of the TI component specification, and TI does not warrant its accuracy or completeness. TI's customers are responsible for determining suitability of components for their purposes, as well as validating and testing their design implementation to confirm system functionality.

### 9.1 Application Information

#### 9.1.1 Monitoring Multiple Supplies

Because the TLV803 has an open-drain output, multiple TLV803 outputs can be directly tied together to form a logical OR-ing function for the RESET line. Only one pull-up resistor is required for this configuration. Figure 9-1 shows two TLV803s connected together to provide monitoring of a 3.3-V power rail and a 5.0-V power rail. A reset is generated if either power rail falls below the threshold voltage of its corresponding TLV803.

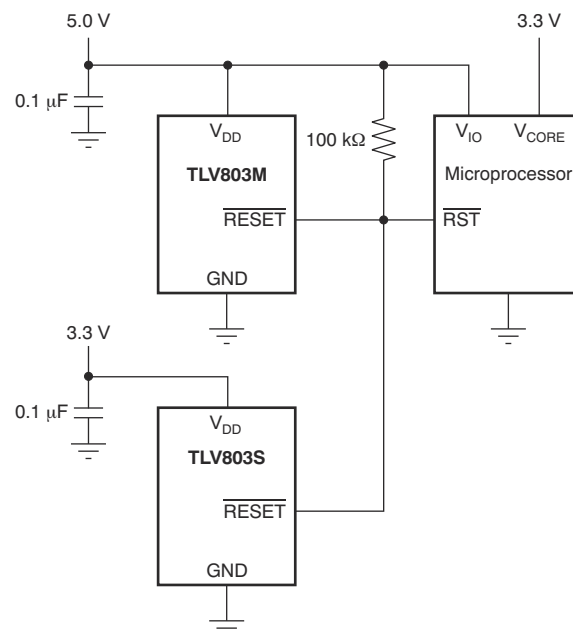
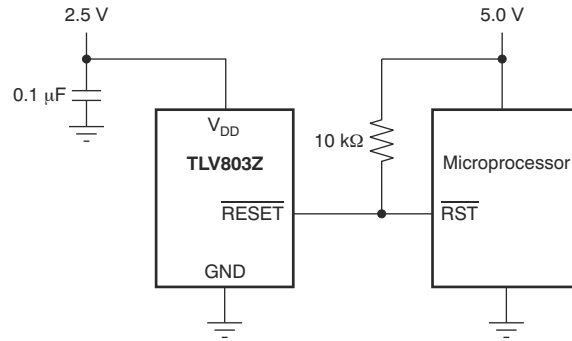


Figure 9-1. Multiple Voltage Rail Monitoring

#### 9.1.2 Output Level Shifting

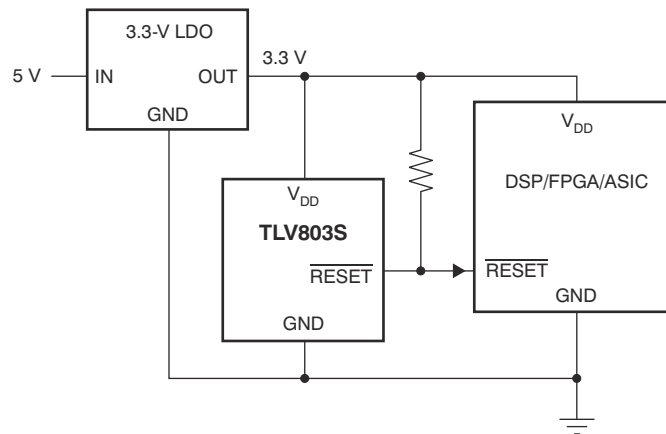
The  $\overline{\text{RESET}}$  output of the TLV803 can be pulled to a maximum voltage of 6 V and can be pulled higher in voltage than  $V_{\text{DD}}$ . It is useful to provide level shifting of the output for cases where the monitored voltage is less than the useful logic levels of the load. Figure 9-2 shows the TLV803Z used to monitor a 2.5-V power rail, with a logic  $\overline{\text{RESET}}$  input to a microprocessor that is connected to 5.0 V and has 5.0-V logic levels.



**Figure 9-2. Output Voltage Level Shifting**

## 9.2 Typical Application

Figure 9-3 shows TLV803S being used to monitor the supply rail for a DSP, FPGA, or ASIC.



**Figure 9-3. Typical Application**

### 9.2.1 Design Requirements

This design calls for a 3.3-V rail to be monitored. The design resets if the supply rail falls below 2.93 V. The output must satisfy 3.3-V CMOS logic.

### 9.2.2 Detailed Design Procedure

Select the TLV803S to satisfy the voltage threshold requirement.

Place a pullup resistor on  $\overline{\text{RESET}}$  to VDD in order to satisfy the output logic requirement.

### 9.2.3 Application Curves

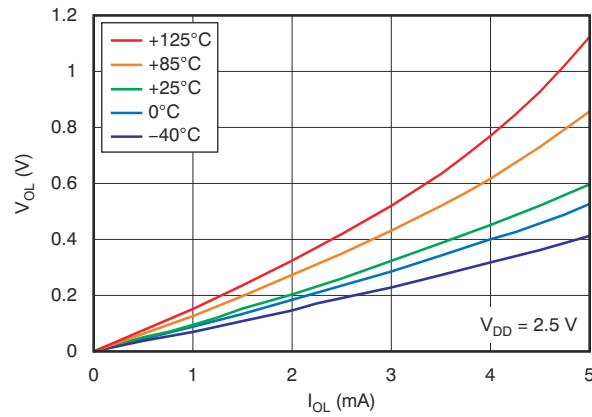


Figure 9-4. Low-Level Output Voltage vs Low-Level Output Current

## 10 Power Supply Recommendations

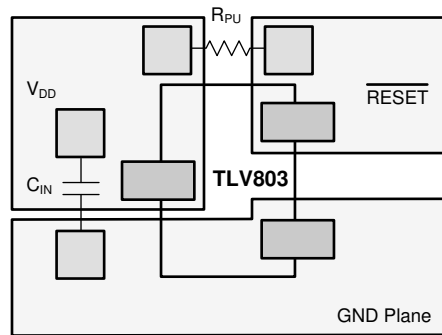
These devices are designed to operate from an input voltage supply range between 1.1 V and 6 V.

## 11 Layout

### 11.1 Layout Guidelines

Place the  $C_{IN}$  decoupling capacitor close to the device.

### 11.2 Layout Example



**Figure 11-1. Layout Example (DBZ Package)**

## 12 Device and Documentation Support

### 12.1 Device Support

#### 12.1.1 Development Support

##### 12.1.1.1 Evaluation Modules

An evaluation module (EVM) is available to assist in the initial circuit performance evaluation using the TLV803. The [TLV803SEVM-019 evaluation module](#) (and [related user guide](#)) can be requested at the Texas Instruments website through the product folders or purchased directly [from the TI eStore](#).

##### 12.1.1.2 Spice Models

Computer simulation of circuit performance using SPICE is often useful when analyzing the performance of analog circuits and systems. SPICE models for the TLV803, TLV853, and TLV863 are available through the respective device product folders under *Tools & Software*.

### 12.2 Documentation Support

#### 12.2.1 Related Documentation

- TLV803SEVM-019 User's Guide. Literature number [SLVU461](#).

### 12.3 Related Links

[Table 12-1](#) lists quick access links. Categories include technical documents, support and community resources, tools and software, and quick access to sample or buy.

**Table 12-1. Related Links**

| PARTS  | PRODUCT FOLDER             | SAMPLE & BUY               | TECHNICAL DOCUMENTS        | TOOLS & SOFTWARE           | SUPPORT & COMMUNITY        |
|--------|----------------------------|----------------------------|----------------------------|----------------------------|----------------------------|
| TLV803 | <a href="#">Click here</a> | <a href="#">Click here</a> | <a href="#">Click here</a> | <a href="#">Click here</a> | <a href="#">Click here</a> |
| TLV853 | <a href="#">Click here</a> | <a href="#">Click here</a> | <a href="#">Click here</a> | <a href="#">Click here</a> | <a href="#">Click here</a> |
| TLV863 | <a href="#">Click here</a> | <a href="#">Click here</a> | <a href="#">Click here</a> | <a href="#">Click here</a> | <a href="#">Click here</a> |

### 12.4 Support Resources

[TI E2E™ support forums](#) are an engineer's go-to source for fast, verified answers and design help — straight from the experts. Search existing answers or ask your own question to get the quick design help you need.

Linked content is provided "AS IS" by the respective contributors. They do not constitute TI specifications and do not necessarily reflect TI's views; see TI's [Terms of Use](#).

## 12.5 Trademarks

TI E2E™ is a trademark of Texas Instruments.  
All trademarks are the property of their respective owners.

## 12.6 Electrostatic Discharge Caution



This integrated circuit can be damaged by ESD. Texas Instruments recommends that all integrated circuits be handled with appropriate precautions. Failure to observe proper handling and installation procedures can cause damage.

ESD damage can range from subtle performance degradation to complete device failure. Precision integrated circuits may be more susceptible to damage because very small parametric changes could cause the device not to meet its published specifications.

## 12.7 Glossary

**TI Glossary** This glossary lists and explains terms, acronyms, and definitions.

## 13 Mechanical, Packaging, and Orderable Information

The following pages include mechanical, packaging, and orderable information. This information is the most current data available for the designated devices. This data is subject to change without notice and revision of this document. For browser-based versions of this data sheet, refer to the left-hand navigation.

**PACKAGING INFORMATION**

| Orderable part number       | Status<br>(1) | Material type<br>(2) | Package   Pins   | Package qty   Carrier | RoHS<br>(3) | Lead finish/<br>Ball material<br>(4) | MSL rating/<br>Peak reflow<br>(5) | Op temp (°C) | Part marking<br>(6) |
|-----------------------------|---------------|----------------------|------------------|-----------------------|-------------|--------------------------------------|-----------------------------------|--------------|---------------------|
| <a href="#">TLV803MDBZR</a> | Active        | Production           | SOT-23 (DBZ)   3 | 3000   LARGE T&R      | Yes         | NIPDAU   SN<br>  NIPDAUAG            | Level-1-260C-UNLIM                | -40 to 125   | VOUQ                |
| TLV803MDBZR.A               | Active        | Production           | SOT-23 (DBZ)   3 | 3000   LARGE T&R      | Yes         | NIPDAU                               | Level-1-260C-UNLIM                | -40 to 125   | VOUQ                |
| <a href="#">TLV803MDBZT</a> | Active        | Production           | SOT-23 (DBZ)   3 | 250   SMALL T&R       | Yes         | NIPDAU   SN<br>  NIPDAUAG            | Level-1-260C-UNLIM                | -40 to 125   | VOUQ                |
| TLV803MDBZT.A               | Active        | Production           | SOT-23 (DBZ)   3 | 250   SMALL T&R       | Yes         | NIPDAU                               | Level-1-260C-UNLIM                | -40 to 125   | VOUQ                |
| <a href="#">TLV803RDBZR</a> | Active        | Production           | SOT-23 (DBZ)   3 | 3000   LARGE T&R      | Yes         | NIPDAU   SN<br>  NIPDAUAG            | Level-1-260C-UNLIM                | -40 to 125   | VOSQ                |
| TLV803RDBZR.A               | Active        | Production           | SOT-23 (DBZ)   3 | 3000   LARGE T&R      | Yes         | NIPDAU                               | Level-1-260C-UNLIM                | -40 to 125   | VOSQ                |
| TLV803RDBZRG4               | Active        | Production           | SOT-23 (DBZ)   3 | 3000   LARGE T&R      | Yes         | NIPDAU                               | Level-1-260C-UNLIM                | -40 to 125   | VOSQ                |
| TLV803RDBZRG4.A             | Active        | Production           | SOT-23 (DBZ)   3 | 3000   LARGE T&R      | Yes         | NIPDAU                               | Level-1-260C-UNLIM                | -40 to 125   | VOSQ                |
| <a href="#">TLV803RDBZT</a> | Active        | Production           | SOT-23 (DBZ)   3 | 250   SMALL T&R       | Yes         | NIPDAU   SN<br>  NIPDAUAG            | Level-1-260C-UNLIM                | -40 to 125   | VOSQ                |
| TLV803RDBZT.A               | Active        | Production           | SOT-23 (DBZ)   3 | 250   SMALL T&R       | Yes         | NIPDAU                               | Level-1-260C-UNLIM                | -40 to 125   | VOSQ                |
| <a href="#">TLV803SDBZR</a> | Active        | Production           | SOT-23 (DBZ)   3 | 3000   LARGE T&R      | Yes         | NIPDAU   SN<br>  NIPDAUAG            | Level-1-260C-UNLIM                | -40 to 125   | VOTQ                |
| TLV803SDBZR.A               | Active        | Production           | SOT-23 (DBZ)   3 | 3000   LARGE T&R      | Yes         | NIPDAU                               | Level-1-260C-UNLIM                | -40 to 125   | VOTQ                |
| TLV803SDBZRG4               | Active        | Production           | SOT-23 (DBZ)   3 | 3000   LARGE T&R      | Yes         | NIPDAU                               | Level-1-260C-UNLIM                | -40 to 125   | VOTQ                |
| TLV803SDBZRG4.A             | Active        | Production           | SOT-23 (DBZ)   3 | 3000   LARGE T&R      | Yes         | NIPDAU                               | Level-1-260C-UNLIM                | -40 to 125   | VOTQ                |
| <a href="#">TLV803SDBZT</a> | Active        | Production           | SOT-23 (DBZ)   3 | 250   SMALL T&R       | Yes         | NIPDAU   SN<br>  NIPDAUAG            | Level-1-260C-UNLIM                | -40 to 125   | VOTQ                |
| TLV803SDBZT.A               | Active        | Production           | SOT-23 (DBZ)   3 | 250   SMALL T&R       | Yes         | NIPDAU                               | Level-1-260C-UNLIM                | -40 to 125   | VOTQ                |
| <a href="#">TLV803ZDBZR</a> | Active        | Production           | SOT-23 (DBZ)   3 | 3000   LARGE T&R      | Yes         | NIPDAU   SN<br>  NIPDAUAG            | Level-1-260C-UNLIM                | -40 to 125   | VORQ                |
| TLV803ZDBZR.A               | Active        | Production           | SOT-23 (DBZ)   3 | 3000   LARGE T&R      | Yes         | NIPDAU                               | Level-1-260C-UNLIM                | -40 to 125   | VORQ                |
| <a href="#">TLV803ZDBZT</a> | Active        | Production           | SOT-23 (DBZ)   3 | 250   SMALL T&R       | Yes         | NIPDAU   SN<br>  NIPDAUAG            | Level-1-260C-UNLIM                | -40 to 125   | VORQ                |
| TLV803ZDBZT.A               | Active        | Production           | SOT-23 (DBZ)   3 | 250   SMALL T&R       | Yes         | NIPDAU                               | Level-1-260C-UNLIM                | -40 to 125   | VORQ                |
| <a href="#">TLV853MDBZR</a> | Active        | Production           | SOT-23 (DBZ)   3 | 3000   LARGE T&R      | Yes         | NIPDAU   SN                          | Level-1-260C-UNLIM                | -40 to 125   | ZGM4                |
| TLV853MDBZR.A               | Active        | Production           | SOT-23 (DBZ)   3 | 3000   LARGE T&R      | Yes         | NIPDAU                               | Level-1-260C-UNLIM                | -40 to 125   | ZGM4                |
| <a href="#">TLV853MDBZT</a> | Active        | Production           | SOT-23 (DBZ)   3 | 250   SMALL T&R       | Yes         | NIPDAU   SN                          | Level-1-260C-UNLIM                | -40 to 125   | ZGM4                |

| Orderable part number       | Status<br>(1) | Material type<br>(2) | Package   Pins   | Package qty   Carrier | RoHS<br>(3) | Lead finish/<br>Ball material<br>(4) | MSL rating/<br>Peak reflow<br>(5) | Op temp (°C) | Part marking<br>(6) |
|-----------------------------|---------------|----------------------|------------------|-----------------------|-------------|--------------------------------------|-----------------------------------|--------------|---------------------|
| TLV853MDBZT.A               | Active        | Production           | SOT-23 (DBZ)   3 | 250   SMALL T&R       | Yes         | NIPDAU                               | Level-1-260C-UNLIM                | -40 to 125   | ZGM4                |
| <a href="#">TLV863MDBZR</a> | Active        | Production           | SOT-23 (DBZ)   3 | 3000   LARGE T&R      | Yes         | NIPDAU   SN<br>  NIPDAUAG            | Level-1-260C-UNLIM                | -40 to 125   | VTWM                |
| TLV863MDBZR.A               | Active        | Production           | SOT-23 (DBZ)   3 | 3000   LARGE T&R      | Yes         | NIPDAU                               | Level-1-260C-UNLIM                | -40 to 125   | VTWM                |
| <a href="#">TLV863MDBZT</a> | Active        | Production           | SOT-23 (DBZ)   3 | 250   SMALL T&R       | Yes         | NIPDAU   SN<br>  NIPDAUAG            | Level-1-260C-UNLIM                | -40 to 125   | VTWM                |
| TLV863MDBZT.A               | Active        | Production           | SOT-23 (DBZ)   3 | 250   SMALL T&R       | Yes         | NIPDAU                               | Level-1-260C-UNLIM                | -40 to 125   | VTWM                |

(1) **Status:** For more details on status, see our [product life cycle](#).

(2) **Material type:** When designated, preproduction parts are prototypes/experimental devices, and are not yet approved or released for full production. Testing and final process, including without limitation quality assurance, reliability performance testing, and/or process qualification, may not yet be complete, and this item is subject to further changes or possible discontinuation. If available for ordering, purchases will be subject to an additional waiver at checkout, and are intended for early internal evaluation purposes only. These items are sold without warranties of any kind.

(3) **RoHS values:** Yes, No, RoHS Exempt. See the [TI RoHS Statement](#) for additional information and value definition.

(4) **Lead finish/Ball material:** Parts may have multiple material finish options. Finish options are separated by a vertical ruled line. Lead finish/Ball material values may wrap to two lines if the finish value exceeds the maximum column width.

(5) **MSL rating/Peak reflow:** The moisture sensitivity level ratings and peak solder (reflow) temperatures. In the event that a part has multiple moisture sensitivity ratings, only the lowest level per JEDEC standards is shown. Refer to the shipping label for the actual reflow temperature that will be used to mount the part to the printed circuit board.

(6) **Part marking:** There may be an additional marking, which relates to the logo, the lot trace code information, or the environmental category of the part.

Multiple part markings will be inside parentheses. Only one part marking contained in parentheses and separated by a "~" will appear on a part. If a line is indented then it is a continuation of the previous line and the two combined represent the entire part marking for that device.

**Important Information and Disclaimer:** The information provided on this page represents TI's knowledge and belief as of the date that it is provided. TI bases its knowledge and belief on information provided by third parties, and makes no representation or warranty as to the accuracy of such information. Efforts are underway to better integrate information from third parties. TI has taken and continues to take reasonable steps to provide representative and accurate information but may not have conducted destructive testing or chemical analysis on incoming materials and chemicals. TI and TI suppliers consider certain information to be proprietary, and thus CAS numbers and other limited information may not be available for release.

In no event shall TI's liability arising out of such information exceed the total purchase price of the TI part(s) at issue in this document sold by TI to Customer on an annual basis.

## TAPE AND REEL INFORMATION



### QUADRANT ASSIGNMENTS FOR PIN 1 ORIENTATION IN TAPE



\*All dimensions are nominal

| Device        | Package Type | Package Drawing | Pins | SPQ  | Reel Diameter (mm) | Reel Width W1 (mm) | A0 (mm) | B0 (mm) | K0 (mm) | P1 (mm) | W (mm) | Pin1 Quadrant |
|---------------|--------------|-----------------|------|------|--------------------|--------------------|---------|---------|---------|---------|--------|---------------|
| TLV803MDBZR   | SOT-23       | DBZ             | 3    | 3000 | 178.0              | 9.0                | 3.15    | 2.77    | 1.22    | 4.0     | 8.0    | Q3            |
| TLV803MDBZT   | SOT-23       | DBZ             | 3    | 250  | 178.0              | 9.0                | 3.15    | 2.77    | 1.22    | 4.0     | 8.0    | Q3            |
| TLV803MDBZT   | SOT-23       | DBZ             | 3    | 250  | 180.0              | 8.4                | 2.9     | 3.35    | 1.35    | 4.0     | 8.0    | Q3            |
| TLV803RDBZR   | SOT-23       | DBZ             | 3    | 3000 | 180.0              | 8.4                | 2.9     | 3.35    | 1.35    | 4.0     | 8.0    | Q3            |
| TLV803RDBZRG4 | SOT-23       | DBZ             | 3    | 3000 | 180.0              | 8.4                | 2.9     | 3.35    | 1.35    | 4.0     | 8.0    | Q3            |
| TLV803RDBZT   | SOT-23       | DBZ             | 3    | 250  | 178.0              | 9.0                | 3.15    | 2.77    | 1.22    | 4.0     | 8.0    | Q3            |
| TLV803SDBZR   | SOT-23       | DBZ             | 3    | 3000 | 180.0              | 8.4                | 2.9     | 3.35    | 1.35    | 4.0     | 8.0    | Q3            |
| TLV803SDBZRG4 | SOT-23       | DBZ             | 3    | 3000 | 180.0              | 8.4                | 2.9     | 3.35    | 1.35    | 4.0     | 8.0    | Q3            |
| TLV803SDBZT   | SOT-23       | DBZ             | 3    | 250  | 178.0              | 9.0                | 3.15    | 2.77    | 1.22    | 4.0     | 8.0    | Q3            |
| TLV803ZDBZR   | SOT-23       | DBZ             | 3    | 3000 | 180.0              | 8.4                | 2.9     | 3.35    | 1.35    | 4.0     | 8.0    | Q3            |
| TLV803ZDBZT   | SOT-23       | DBZ             | 3    | 250  | 180.0              | 8.4                | 2.9     | 3.35    | 1.35    | 4.0     | 8.0    | Q3            |
| TLV803ZDBZT   | SOT-23       | DBZ             | 3    | 250  | 178.0              | 9.0                | 3.15    | 2.77    | 1.22    | 4.0     | 8.0    | Q3            |
| TLV853MDBZR   | SOT-23       | DBZ             | 3    | 3000 | 178.0              | 9.0                | 3.15    | 2.77    | 1.22    | 4.0     | 8.0    | Q3            |
| TLV853MDBZT   | SOT-23       | DBZ             | 3    | 250  | 180.0              | 8.4                | 2.9     | 3.35    | 1.35    | 4.0     | 8.0    | Q3            |
| TLV853MDBZT   | SOT-23       | DBZ             | 3    | 250  | 178.0              | 9.0                | 3.15    | 2.77    | 1.22    | 4.0     | 8.0    | Q3            |
| TLV863MDBZR   | SOT-23       | DBZ             | 3    | 3000 | 180.0              | 8.4                | 2.9     | 3.35    | 1.35    | 4.0     | 8.0    | Q3            |

| Device      | Package Type | Package Drawing | Pins | SPQ  | Reel Diameter (mm) | Reel Width W1 (mm) | A0 (mm) | B0 (mm) | K0 (mm) | P1 (mm) | W (mm) | Pin1 Quadrant |
|-------------|--------------|-----------------|------|------|--------------------|--------------------|---------|---------|---------|---------|--------|---------------|
| TLV863MDBZR | SOT-23       | DBZ             | 3    | 3000 | 178.0              | 9.0                | 3.15    | 2.77    | 1.22    | 4.0     | 8.0    | Q3            |
| TLV863MDBZT | SOT-23       | DBZ             | 3    | 250  | 178.0              | 9.0                | 3.15    | 2.77    | 1.22    | 4.0     | 8.0    | Q3            |
| TLV863MDBZT | SOT-23       | DBZ             | 3    | 250  | 180.0              | 8.4                | 2.9     | 3.35    | 1.35    | 4.0     | 8.0    | Q3            |

**TAPE AND REEL BOX DIMENSIONS**


\*All dimensions are nominal

| Device        | Package Type | Package Drawing | Pins | SPQ  | Length (mm) | Width (mm) | Height (mm) |
|---------------|--------------|-----------------|------|------|-------------|------------|-------------|
| TLV803MDBZR   | SOT-23       | DBZ             | 3    | 3000 | 180.0       | 180.0      | 18.0        |
| TLV803MDBZT   | SOT-23       | DBZ             | 3    | 250  | 180.0       | 180.0      | 18.0        |
| TLV803MDBZT   | SOT-23       | DBZ             | 3    | 250  | 210.0       | 185.0      | 35.0        |
| TLV803RDBZR   | SOT-23       | DBZ             | 3    | 3000 | 210.0       | 185.0      | 35.0        |
| TLV803RDBZRG4 | SOT-23       | DBZ             | 3    | 3000 | 210.0       | 185.0      | 35.0        |
| TLV803RDBZT   | SOT-23       | DBZ             | 3    | 250  | 180.0       | 180.0      | 18.0        |
| TLV803SDBZR   | SOT-23       | DBZ             | 3    | 3000 | 210.0       | 185.0      | 35.0        |
| TLV803SDBZRG4 | SOT-23       | DBZ             | 3    | 3000 | 210.0       | 185.0      | 35.0        |
| TLV803SDBZT   | SOT-23       | DBZ             | 3    | 250  | 180.0       | 180.0      | 18.0        |
| TLV803ZDBZR   | SOT-23       | DBZ             | 3    | 3000 | 210.0       | 185.0      | 35.0        |
| TLV803ZDBZT   | SOT-23       | DBZ             | 3    | 250  | 210.0       | 185.0      | 35.0        |
| TLV803ZDBZT   | SOT-23       | DBZ             | 3    | 250  | 180.0       | 180.0      | 18.0        |
| TLV853MDBZR   | SOT-23       | DBZ             | 3    | 3000 | 180.0       | 180.0      | 18.0        |
| TLV853MDBZT   | SOT-23       | DBZ             | 3    | 250  | 210.0       | 185.0      | 35.0        |
| TLV853MDBZT   | SOT-23       | DBZ             | 3    | 250  | 180.0       | 180.0      | 18.0        |
| TLV863MDBZR   | SOT-23       | DBZ             | 3    | 3000 | 210.0       | 185.0      | 35.0        |
| TLV863MDBZR   | SOT-23       | DBZ             | 3    | 3000 | 180.0       | 180.0      | 18.0        |
| TLV863MDBZT   | SOT-23       | DBZ             | 3    | 250  | 180.0       | 180.0      | 18.0        |

---

| Device      | Package Type | Package Drawing | Pins | SPQ | Length (mm) | Width (mm) | Height (mm) |
|-------------|--------------|-----------------|------|-----|-------------|------------|-------------|
| TLV863MDBZT | SOT-23       | DBZ             | 3    | 250 | 210.0       | 185.0      | 35.0        |

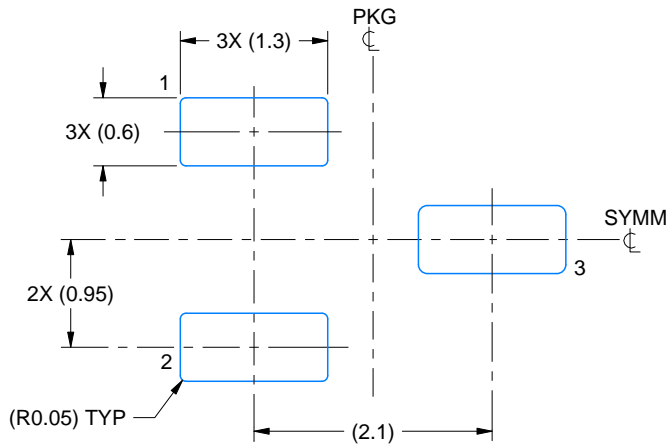


# EXAMPLE BOARD LAYOUT

DBZ0003A

SOT-23 - 1.12 mm max height

SMALL OUTLINE TRANSISTOR



LAND PATTERN EXAMPLE  
SCALE:15X



SOLDER MASK DETAILS

4214838/F 08/2024

NOTES: (continued)

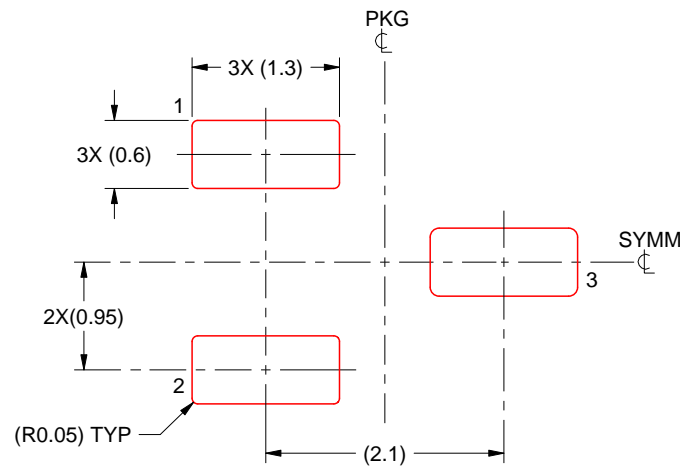
- 5. Publication IPC-7351 may have alternate designs.
- 6. Solder mask tolerances between and around signal pads can vary based on board fabrication site.

# EXAMPLE STENCIL DESIGN

DBZ0003A

SOT-23 - 1.12 mm max height

SMALL OUTLINE TRANSISTOR



SOLDER PASTE EXAMPLE  
BASED ON 0.125 THICK STENCIL  
SCALE:15X

4214838/F 08/2024

NOTES: (continued)

7. Laser cutting apertures with trapezoidal walls and rounded corners may offer better paste release. IPC-7525 may have alternate design recommendations.
8. Board assembly site may have different recommendations for stencil design.

## IMPORTANT NOTICE AND DISCLAIMER

TI PROVIDES TECHNICAL AND RELIABILITY DATA (INCLUDING DATASHEETS), DESIGN RESOURCES (INCLUDING REFERENCE DESIGNS), APPLICATION OR OTHER DESIGN ADVICE, WEB TOOLS, SAFETY INFORMATION, AND OTHER RESOURCES "AS IS" AND WITH ALL FAULTS, AND DISCLAIMS ALL WARRANTIES, EXPRESS AND IMPLIED, INCLUDING WITHOUT LIMITATION ANY IMPLIED WARRANTIES OF MERCHANTABILITY, FITNESS FOR A PARTICULAR PURPOSE OR NON-INFRINGEMENT OF THIRD PARTY INTELLECTUAL PROPERTY RIGHTS.

These resources are intended for skilled developers designing with TI products. You are solely responsible for (1) selecting the appropriate TI products for your application, (2) designing, validating and testing your application, and (3) ensuring your application meets applicable standards, and any other safety, security, regulatory or other requirements.

These resources are subject to change without notice. TI grants you permission to use these resources only for development of an application that uses the TI products described in the resource. Other reproduction and display of these resources is prohibited. No license is granted to any other TI intellectual property right or to any third party intellectual property right. TI disclaims responsibility for, and you fully indemnify TI and its representatives against any claims, damages, costs, losses, and liabilities arising out of your use of these resources.

TI's products are provided subject to [TI's Terms of Sale](#), [TI's General Quality Guidelines](#), or other applicable terms available either on [ti.com](http://ti.com) or provided in conjunction with such TI products. TI's provision of these resources does not expand or otherwise alter TI's applicable warranties or warranty disclaimers for TI products. Unless TI explicitly designates a product as custom or customer-specified, TI products are standard, catalog, general purpose devices.

TI objects to and rejects any additional or different terms you may propose.

Copyright © 2026, Texas Instruments Incorporated

Last updated 10/2025