

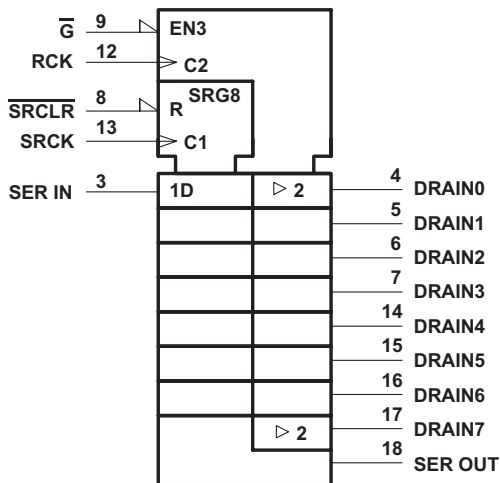
TPIC6B595 Power Logic 8-Bit Shift Register

1 Features

- Low $r_{DS(on)}$, 5Ω (typical)
- Avalanche energy, 30mJ
- Eight power DMOS transistor outputs of 150mA continuous current
- Output clamp voltage, 50V
- Devices are cascadable
- Low-power consumption

2 Applications

- Instrumentation clusters
- Tell-tale lamps
- LED illumination and controls
- Automotive relay or solenoids drivers



This symbol is in accordance with ANSI/IEEE Std 91-1984 and IEC Publication 617-12.

Logic Symbol

3 Description

The TPIC6B595 device is a monolithic, high-voltage, medium-current power 8-bit shift register designed for use in systems that require relatively high load power. The device contains a built-in voltage clamp on the outputs for inductive transient protection. Power driver applications include relays, solenoids, and other medium current or high-voltage loads.

This device contains an 8-bit serial-in, parallel-out shift register that feeds an 8-bit D-type storage register. Data transfers through the shift and storage registers on the rising edge of the shift-register clock (SRCK) and the register clock (RCK), respectively.

The storage register transfers data to the output buffer when shift-register clear (SRCLR) is high. Write data and read data are valid only when RCK is low. When SRCLR is low, the input shift register is cleared. When output enable (\bar{G}) is held high, all data in the output buffers is held low and all drain outputs are off. When \bar{G} is held low, data from the storage register is transparent to the output buffers. When data in the output buffers is low, the DMOS-transistor outputs are off. When data is high, the DMOS transistor outputs have sink-current capability. The serial output (SER OUT) allows for cascading of the data from the shift register to additional devices.

Outputs are low-side, open-drain DMOS transistors with output ratings of 50V and 150mA continuous sink-current capability. Each output provides a 500mA typical current limit at $T_C = 25^\circ\text{C}$. The current limit decreases as the junction temperature increases for additional device protection.

The TPIC6B595 is characterized for operation over the operating case temperature range of -40°C to 125°C .

Device Information (1)

PART NUMBER	PACKAGE	BODY SIZE (NOM)
TPIC6B595	SOIC (20)	12.80mm × 7.50mm
	PDIP (20)	25.40mm × 6.35mm

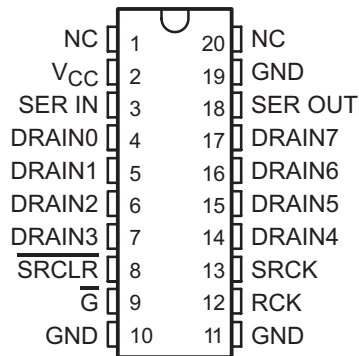
- (1) For all available packages, see the orderable addendum at the end of the data sheet.



Table of Contents

1 Features	1	7.3 Feature Description.....	12
2 Applications	1	7.4 Device Functional Modes.....	13
3 Description	1	8 Application and Implementation	14
4 Pin Configuration and Functions	3	8.1 Application Information.....	14
5 Specifications	4	8.2 Typical Application.....	14
5.1 Absolute Maximum Ratings.....	4	8.3 Power Supply Recommendations.....	16
5.2 ESD Ratings.....	4	8.4 Layout.....	16
5.3 Recommended Operating Conditions.....	4	9 Device and Documentation Support	18
5.4 Thermal Information.....	5	9.1 Support Resources.....	18
5.5 Electrical Characteristics.....	5	9.2 Trademarks.....	18
5.6 Switching Characteristics.....	6	9.3 Electrostatic Discharge Caution.....	18
5.7 Typical Characteristics.....	7	9.4 Glossary.....	18
6 Parameter Measurement Information	9	10 Revision History	18
7 Detailed Description	11	11 Mechanical, Packaging, and Orderable Information	18
7.1 Overview.....	11		
7.2 Functional Block Diagram.....	11		

4 Pin Configuration and Functions



NC – No internal connection

Figure 4-1. DW or N Package 20-Pin SOIC or PDIP Top View

Table 4-1. Pin Functions

PIN		I/O	DESCRIPTION
NAME	NO.		
DRAIN0	4	O	Open-drain output
DRAIN1	5		
DRAIN2	6		
DRAIN3	7		
DRAIN4	14		
DRAIN5	15		
DRAIN6	16		
DRAIN7	17		
\bar{G}	9	I	Output enable, active-low
GND	10, 11, 19	—	Power ground
NC	1, 20	—	No internal connection
RCK	12	I	Register clock
SERIN	3	I	Serial data input
SEROUT	18	O	Serial data output
SRCK	15	I	Shift register clock
\overline{SRCLR}	8	I	Shift register clear, active-low
VCC	2	I	Power supply

5 Specifications

5.1 Absolute Maximum Ratings

over operating free-air temperature range (unless otherwise noted) ⁽¹⁾

		MIN	MAX	UNIT
V _{CC}	Logic supply voltage ⁽²⁾	-0.3	7	V
V _I	Logic input voltage	-0.3	7	V
V _{DS}	Power DMOS drain-to-source voltage ⁽³⁾	-0.3	50	V
	Continuous source-to-drain diode anode current	0	500	mA
	Pulsed source-to-drain diode anode current ⁽⁴⁾	0	1	A
I _D	Pulsed drain current, each output, all outputs ON, T _C = 25°C ⁽⁴⁾	0	500	mA
I _D	Continuous drain current, each output, all outputs ON, T _C = 25°C ⁽⁴⁾	0	150	mA
I _{DM}	Peak drain current single output, T _C = 25°C ⁽⁴⁾	0	500	mA
E _{AS}	Single-pulse avalanche energy (See Typical Characteristics below)	0	30	mJ
I _{AS}	Avalanche current ⁽⁵⁾	0	500	mA
	Continuous total dissipation	See Thermal Information		
T _J	Operating virtual junction temperature	-40	150	°C
T _C	Operating case temperature	-40	125	°C
T _{stg}	Storage temperature	-65	150	°C

- (1) Stresses beyond those listed under *Absolute Maximum Ratings* may cause permanent damage to the device. These are stress ratings only, which do not imply functional operation of the device at these or any other conditions beyond those indicated under *Recommended Operating Conditions*. Exposure to absolute-maximum-rated conditions for extended periods may affect device reliability.
- (2) All voltage values are with respect to GND.
- (3) Each power DMOS source is internally connected to GND.
- (4) Pulse duration ≤ 100µs and duty cycle ≤ 2%.
- (5) DRAIN supply voltage = 15V, starting junction temperature (T_{JS}) = 25°C, L = 1.5H, I_{AS} = 200mA (See [Typical Characteristics](#) below).

5.2 ESD Ratings

		VALUE	UNIT	
V _(ESD)	Electrostatic discharge	Human-body model (HBM), per AEC Q100-002 ⁽¹⁾	±2000	
		Charged-device model (CDM), per AEC Q100-011	All pins	±500
			Corner pins (1, 10, 20, 11)	±750

- (1) AEC Q100-002 indicates that HBM stressing shall be in accordance with the ANSI/ESDA/JEDEC JS-001 specification.

5.3 Recommended Operating Conditions

over operating free-air temperature range (unless otherwise noted)

		MIN	NOM	MAX	UNIT
V _{CC}	Logic supply voltage	4.5		5.5	V
V _{IH}	High-level input voltage	0.85 V _{CC}			V
V _{IL}	Low-level input voltage			0.15 V _{CC}	V
	Pulsed drain output current, T _C = 25°C, V _{CC} = 5V, all outputs on ^{(1) (2)} (See Typical Characteristics below)	-500		500	mA
t _{su}	Setup time, SER IN high before SRCK↑ (See Typical Characteristics below)	20			ns
t _h	Hold time, SER IN high after SRCK↑, (See Typical Characteristics below)	20			ns
t _w	Pulse duration (See Typical Characteristics below)	40			ns
T _C	Operating case temperature	-40		125	°C

- (1) Pulse duration ≤ 100µs and duty cycle ≤ 2%.
- (2) Technique should limit T_J - T_C to 10°C maximum.

5.4 Thermal Information

THERMAL METRIC ⁽¹⁾		TPIC6B595		UNIT
		DW (SOIC)	N (PDIP)	
		20 PINS	20 PINS	
R _{θJA}	Junction-to-ambient thermal resistance	75.3	57	°C/W
R _{θJC(top)}	Junction-to-case (top) thermal resistance	39.8	58.5	°C/W
R _{θJB}	Junction-to-board thermal resistance	43.1	38	°C/W
ψ _{JT}	Junction-to-top characterization parameter	15.4	25.2	°C/W
ψ _{JB}	Junction-to-board characterization parameter	42.6	37.9	°C/W

(1) For more information about traditional and new thermal metrics, see the *Semiconductor and IC Package Thermal Metrics* application report, [SPRA953](#).

5.5 Electrical Characteristics

over operating free-air temperature range (unless otherwise noted)

PARAMETER	TEST CONDITIONS	MIN	TYP	MAX	UNIT	
V _{(BR)DSX}	Drain-to-source breakdown voltage I _D = 1mA	50			V	
V _{SD}	Source-to-drain diode forward voltage I _F = 100mA		0.85	1	V	
V _{OH}	High-level output voltage, SER OUT I _{OH} = -20μA, V _{CC} = 4.5V	4.4	4.49		V	
	I _{OH} = -4mA, V _{CC} = 4.5V	4	4.2			
V _{OL}	Low-level output voltage, SER OUT I _{OL} = 20μA, V _{CC} = 4.5V		0.005	0.1	V	
	I _{OL} = 4mA, V _{CC} = 4.5V		0.3	0.5		
I _{IH}	High-level input current V _{CC} = 5.5V, V _I = V _{CC}			1	μA	
I _{IL}	Low-level input current V _{CC} = 5.5V, V _I = 0			-1	μA	
I _{CC}	Logic supply current V _{CC} = 5.5V	All outputs OFF		20	100	μA
		All outputs ON		150	300	
I _{CC(FRQ)}	Logic supply current at frequency f _{SRCK} = 5MHz, All outputs off, C _L = 30pF, See Typical Characteristics below		0.4	5	mA	
I _N	Nominal current V _{DS(on)} = 0.5V, I _N = I _D , T _C = 85°C See (1) (2) (3)		90		mA	
I _{DSX}	OFF-state drain current V _{DS} = 40V, V _{CC} = 5.5V		0.1	5	μA	
	V _{DS} = 40V, T _C = 125°C, V _{CC} = 5.5V		0.15	8		
r _{DS(on)}	I _D = 100mA, V _{CC} = 4.5V		4.2	5.7	Ω	
	I _D = 100mA, T _C = 125°C, V _{CC} = 4.5V	See (1) and (2)	6.8	9.5		
	I _D = 350mA, V _{CC} = 4.5V	See Typical Characteristics below	5.5	8		

(1) Technique should limit T_J - T_C to 10°C maximum.

(2) These parameters are measured with voltage-sensing contacts separate from the current-carrying contacts.

(3) Nominal current is defined for a consistent comparison between devices from different sources. It is the current that produces a voltage drop of 0.5V at T_C = 85°C.

5.6 Switching Characteristics

$V_{CC} = 5V$, $T_C = 25^\circ C$

PARAMETER		TEST CONDITIONS	MIN	TYP	MAX	UNIT
t_{PLH}	Propagation delay time, low-to-high-level output from \bar{G}	$C_L = 30pF$, $I_D = 100mA$, See Typical Characteristics below		150		ns
t_{PHL}	Propagation delay time, high-to-low-level output from \bar{G}			90		ns
t_r	Rise time, drain output			200		ns
t_f	Fall time, drain output			200		ns
t_a	Reverse-recovery-current rise time	$I_F = 100mA$, $di/dt = 10A/\mu s$ ^{(1) (2)} , See Typical Characteristics below		100		ns
t_{rr}	Reverse-recovery time			300		

(1) Technique should limit $T_J - T_C$ to $10^\circ C$ maximum.

(2) These parameters are measured with voltage-sensing contacts separate from the current-carrying contacts.

5.7 Typical Characteristics

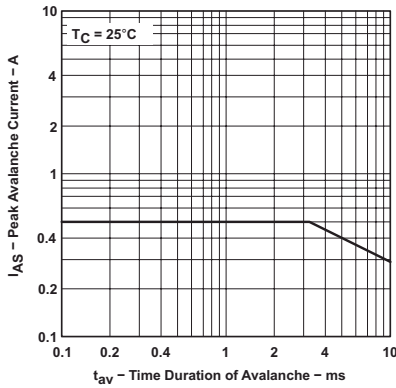


Figure 5-1. Peak Avalanche Current vs Time Duration of Avalanche

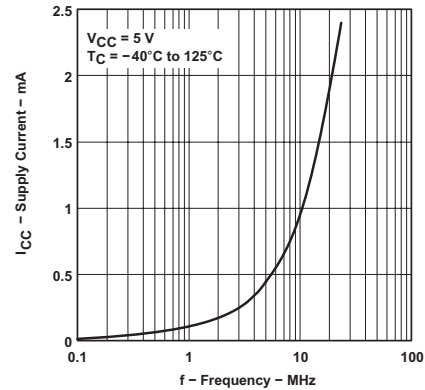
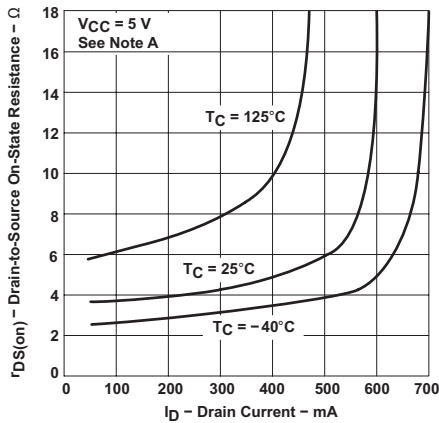
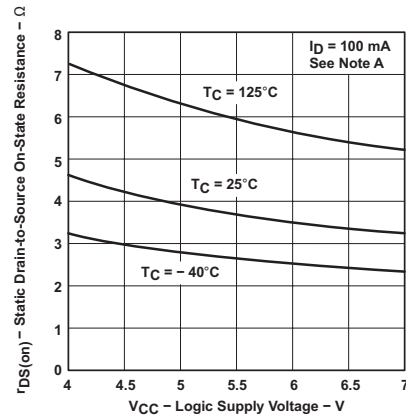


Figure 5-2. Supply Current vs Frequency



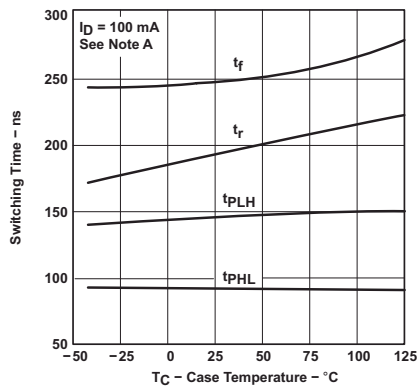
Technique should limit $T_J - T_C$ to 10°C maximum.

Figure 5-3. Drain-to-Source On-State Resistance vs Drain Current



Technique should limit $T_J - T_C$ to 10°C maximum.

Figure 5-4. Static Drain-to-Source On-State Resistance vs Logic Supply Voltage



Technique should limit $T_J - T_C$ to 10°C maximum

Figure 5-5. Switching Time vs Case Temperature

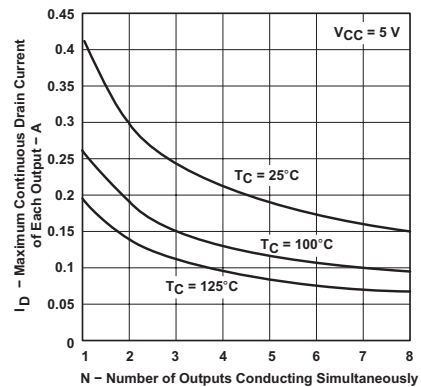


Figure 5-6. Maximum Continuous Drain Current of Each Output vs Number of Outputs Conducting Simultaneously

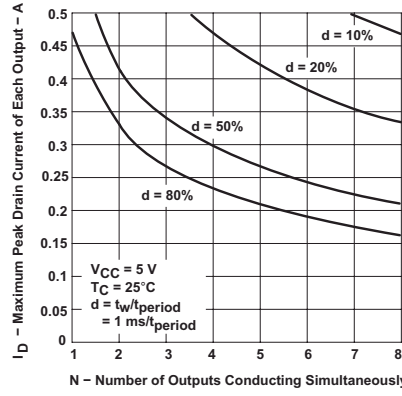
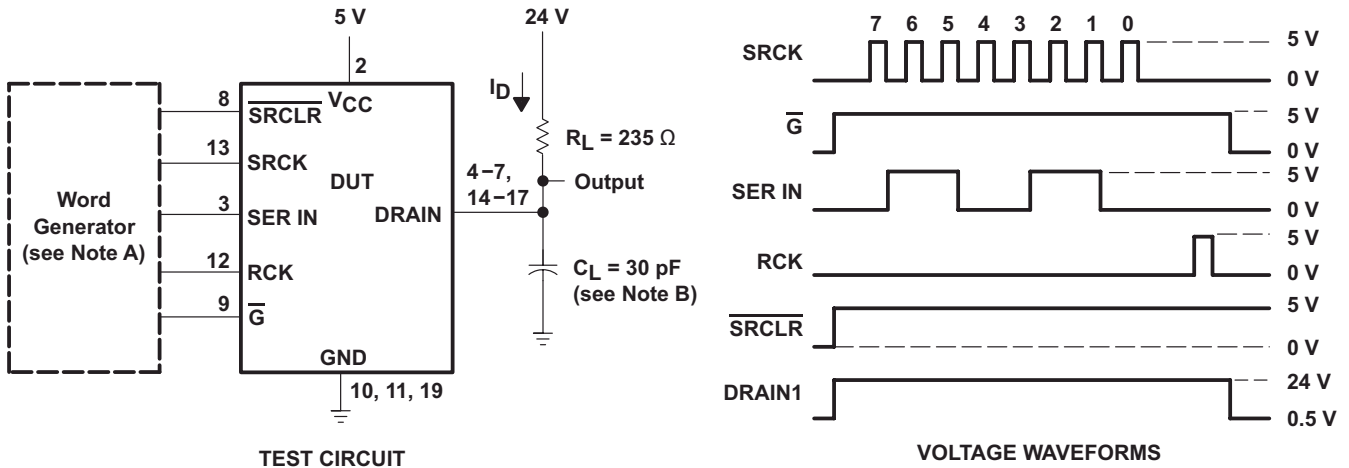


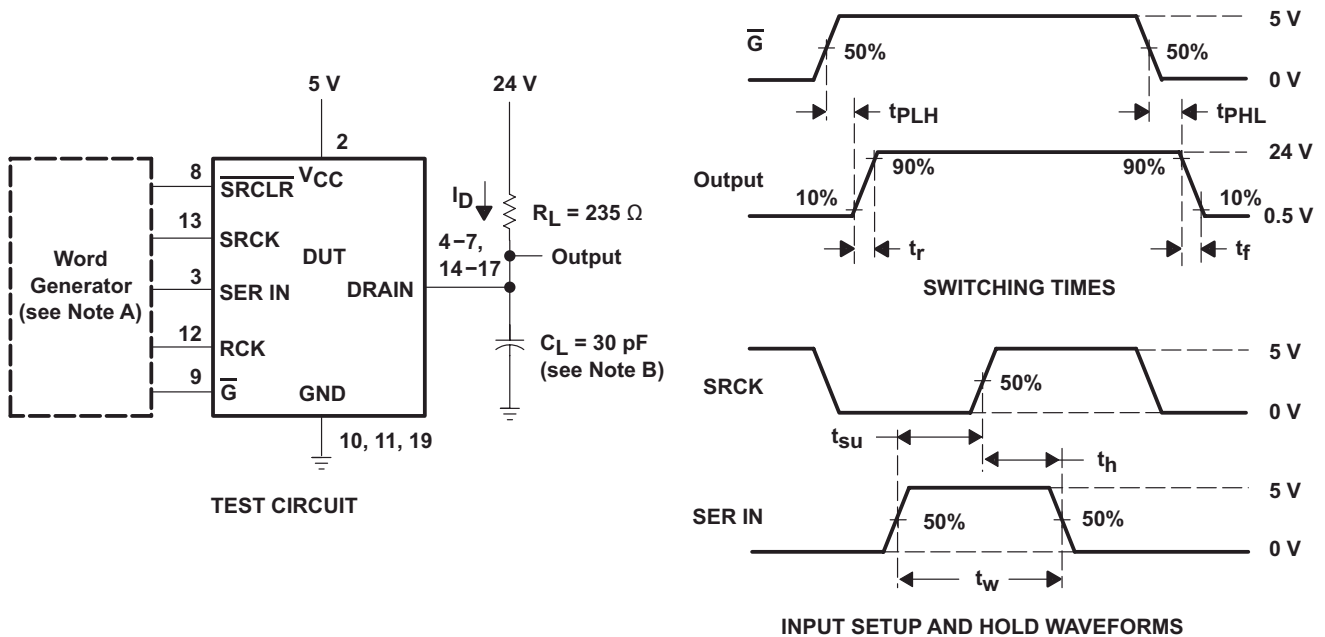
Figure 5-7. Maximum Peak Drain Current of Each Output vs Number of Outputs Conducting Simultaneously

6 Parameter Measurement Information



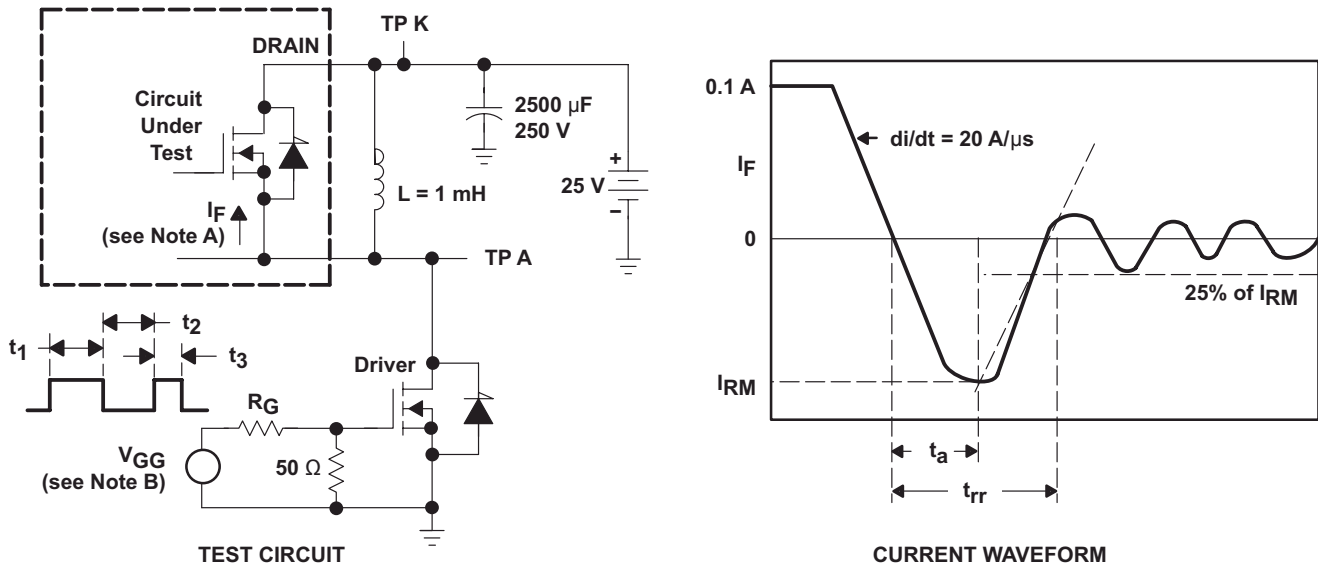
- A. The word generator has the following characteristics: $t_r \leq 10\text{ns}$, $t_f \leq 10\text{ns}$, $t_w = 300\text{ns}$, pulsed repetition rate (PRR) = 5kHz, $Z_O = 50\Omega$.
- B. C_L includes probe and jig capacitance.
- C. Write data and read data are valid only when RCK is low

Figure 6-1. Resistive-Load Test Circuit and Voltage Waveforms



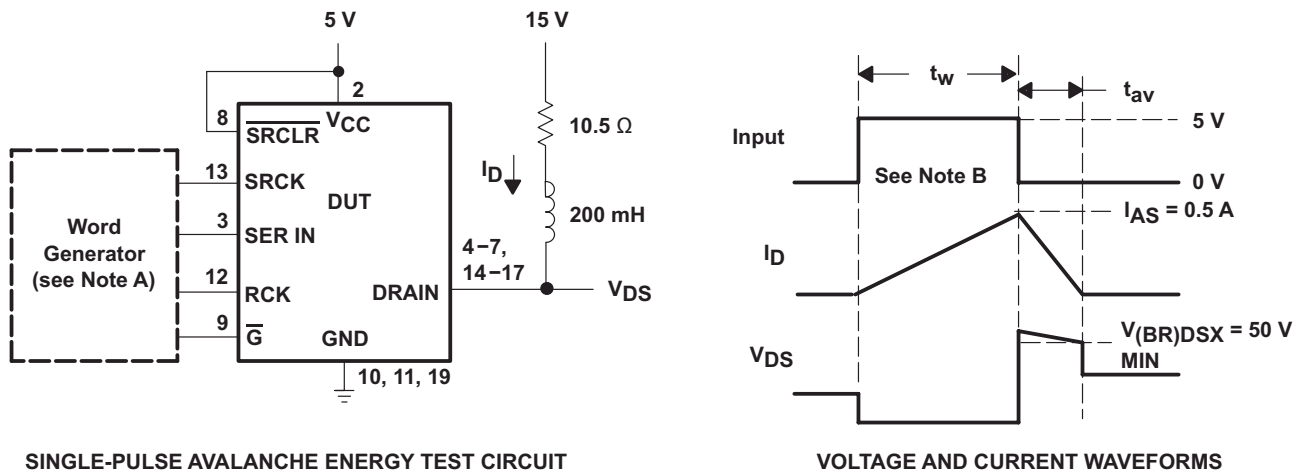
- A. The word generator has the following characteristics: $t_r \leq 10\text{ns}$, $t_f \leq 10\text{ns}$, $t_w = 300\text{ns}$, pulsed repetition rate (PRR) = 5kHz, $Z_O = 50\Omega$.
- B. C_L includes probe and jig capacitance.

Figure 6-2. Test Circuit, Switching Times, and Voltage Waveforms



- A. The DRAIN terminal under test is connected to the TP K test point. All other terminals are connected together and connected to the TP A test point.
- B. The V_{GG} amplitude and R_G are adjusted for $di/dt = 20A/\mu s$. A V_{GG} double-pulse train is used to set $I_F = 0.1A$, where $t_1 = 10\mu s$, $t_2 = 7\mu s$, and $t_3 = 3\mu s$.

Figure 6-3. Reverse-Recovery-Current Test Circuit and Waveforms of Source-to-Drain Diode



- A. The word generator has the following characteristics: $t_r \leq 10ns$, $t_f \leq 10ns$, $Z_O = 50\Omega$.
- B. Input pulse duration, t_w , is increased until peak current $I_{AS} = 0.5mA$. Energy test level is defined as $E_{AS} = I_{AS} \times V_{(BR)DSX} \times t_{av}/2 = 30mJ$.

Figure 6-4. Single-Pulse Avalanche Energy Test Circuit and Waveforms

7 Detailed Description

7.1 Overview

The TPIC6B595 device is a monolithic, high-voltage, medium-current power 8-bit shift register designed for use in systems that require relatively high load power. The device contains a built-in voltage clamp on the outputs for inductive transient protection, so it can also drive relays, solenoids, and other medium-current or high-voltage loads.

7.2 Functional Block Diagram

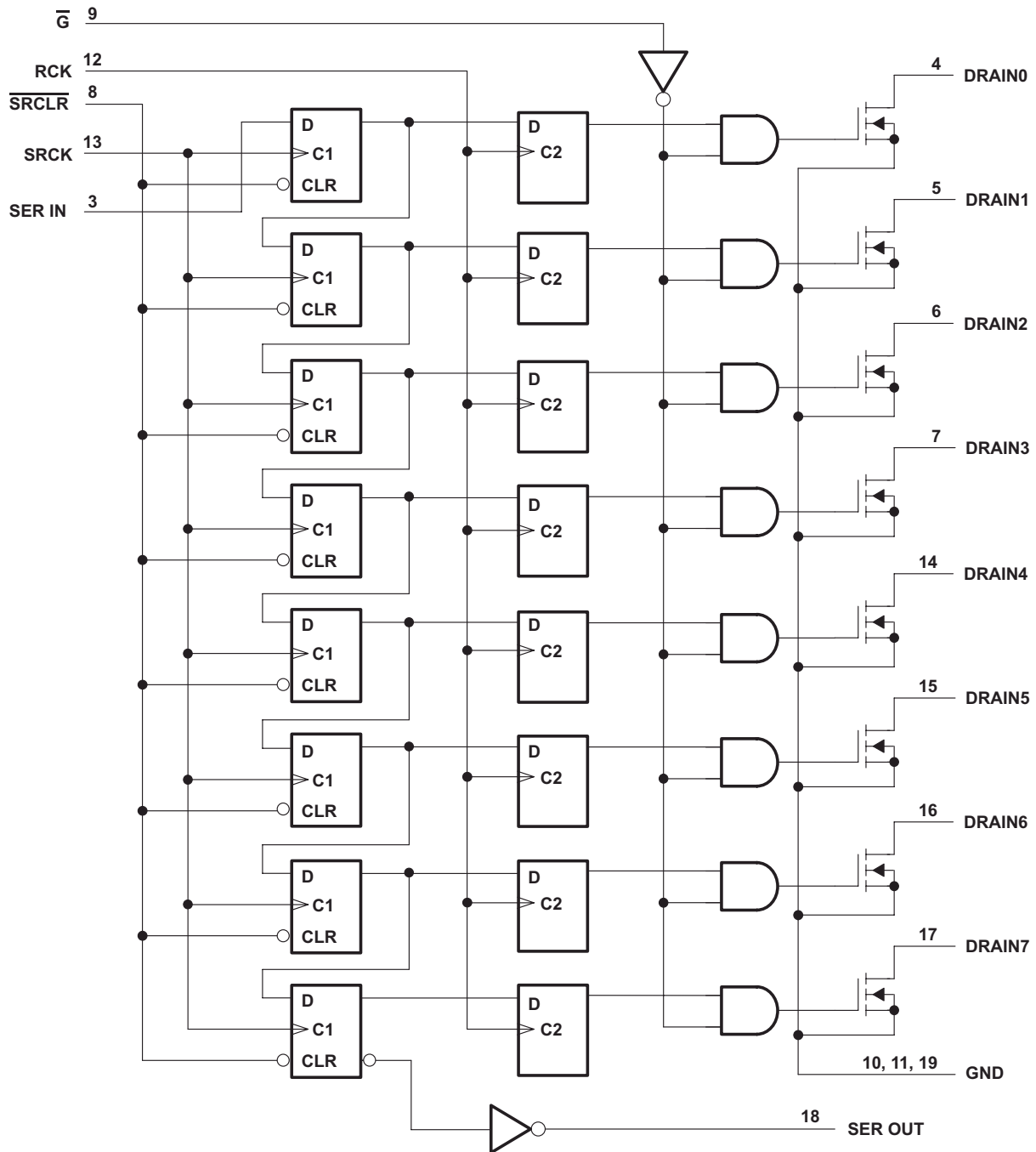


Figure 7-1. Logic Diagram (Positive Logic)

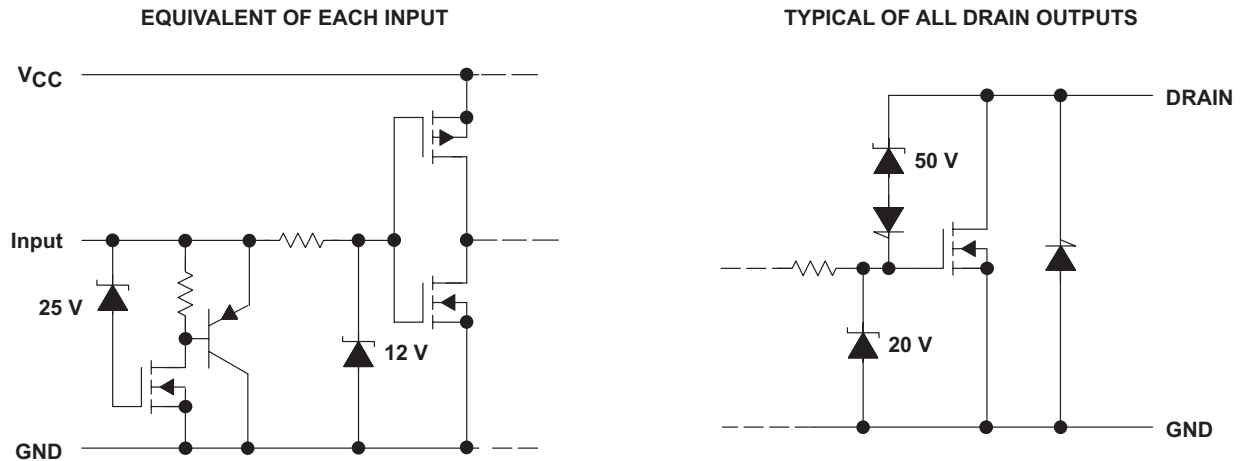


Figure 7-2. Schematic of Inputs

7.3 Feature Description

7.3.1 Serial-In Interface

This device contains an 8-bit serial-in, parallel-out shift register that feeds an 8-bit D-type storage register. Data transfers through both the shift and storage registers on the rising edge of the shift register clock (SRCK) and the register clock (RCK), respectively. Write data and read data are valid only when RCK is low. The storage register transfers data to the output buffer when shift register clear (SRCLR) is high.

7.3.2 Clear Register

A logical low on ($\overline{\text{SRCLR}}$) clears all registers in the device. TI suggests clearing the device during power up or initialization.

7.3.3 Output Control

Holding the output enable ($\overline{\text{OE}}$) high holds all data in the output buffers low, and all drain outputs are off. Holding ($\overline{\text{OE}}$) low makes data from the storage register transparent to the output buffers. When data in the output buffers is low, the DMOS transistor outputs are OFF. When data is high, the DMOS transistor outputs have sink-current capability. This pin can also be used for global PWM dimming.

7.3.4 Cascaded Application

The serial output (SER OUT) allows for cascading of the data from the shift register to additional devices. Connect the device (SER OUT) pin to the next device (SER IN) for daisy Chain.

7.3.5 Current Limit Function

Outputs are low-side, open-drain DMOS transistors with output ratings of 50V and 150mA continuous sink current capability. Each output provides a 500mA typical current limit at $T_C = 25^\circ\text{C}$. The current limit decreases as the junction temperature increases for additional device protection.

7.4 Device Functional Modes

7.4.1 Operation With $V(V_{CC}) < 4.5$ (Minimum $V(V_{CC})$)

This device works normally during $4.5V \leq V(V_{CC}) \leq 5.5V$, when operation voltage is lower than 4.5V. TI can't ensure the behavior of device, including communication interface and current capability.

7.4.2 Operating With $5.5 V < V(V_{CC}) < 6 V$

This device works normally during this voltage range, but reliability issues may occur while the device works for a long time in this voltage range.

8 Application and Implementation

Note

Information in the following applications sections is not part of the TI component specification, and TI does not warrant its accuracy or completeness. TI's customers are responsible for determining suitability of components for their purposes, as well as validating and testing their design implementation to confirm system functionality.

8.1 Application Information

The TPIC6B595 device is a serial-in parallel-out, Power+LogicE 8-bit shift register with low-side switch DMOS outputs rating of a 150mA per channel. The device is designed for use in systems that require relatively high load power. The device contains a built-in voltage clamp on the outputs for inductive transient protection. Power driver applications include relays, solenoids, and other medium current or high-voltage loads. The following focuses on automotive cluster applications for the TPIC6B595 device.

8.2 Typical Application

The typical application of the TPIC6B595 device is the automotive cluster driver. In this example, two TPIC6B595 power shift registers are cascaded and used to turn on LEDs in the cluster panel. In this case, the LED must be updated after all 16 bits of data have been loaded into the serial shift registers. MCU outputs the data to the serial input (SER IN) while clocking the shift register clock (SRCK). After the 16th clock, a pulse to the register clock (RCK) transfers the data to the storage registers. If output enable (G) is low, then the LEDs are turned ON corresponding to the status word with ones being ON and zeros OFF. With this simple scheme, MCU use SPI interface can turn on 16 LEDs using only two ICs as illustrated in [Figure 8-1](#).

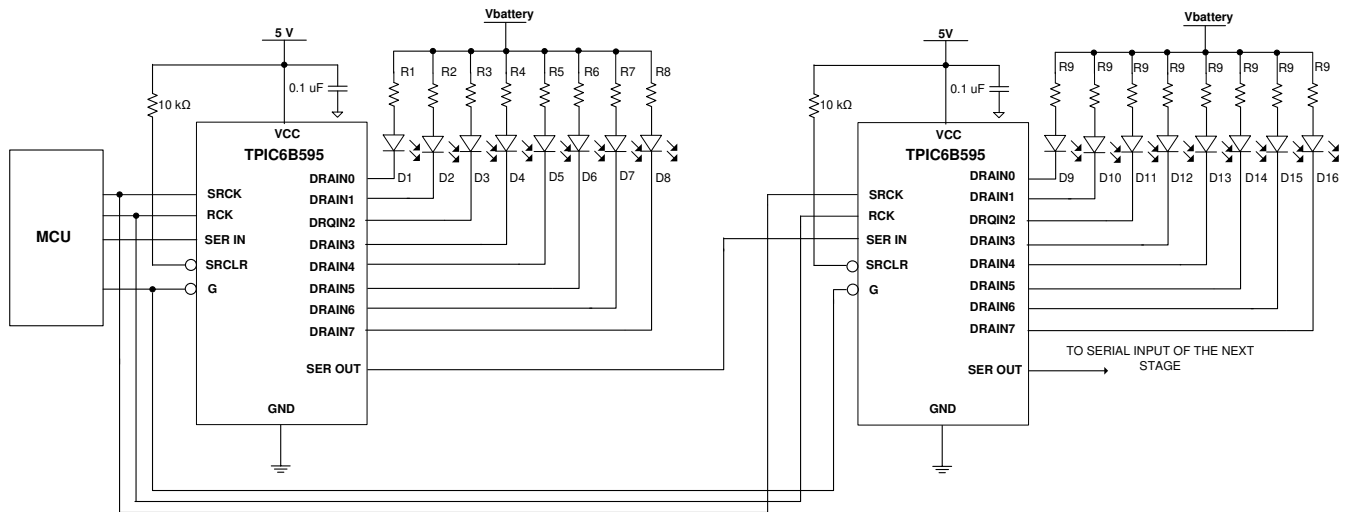


Figure 8-1. Typical Application Schematic

8.2.1 Design Requirements

Use the design parameters in [Table 8-1](#) for this design example.

Table 8-1. Design Parameters

DESIGN PARAMETER	EXAMPLE VALUE
VSUPPLY	9-16V
V(D1), V(D2), V(D3), V(D4), V(D5), V(D6),V(D7), V(D8)	2V
V(D9), V(D10),V(D11), V(D12), V(D13), V(D14),V(D15), V(D16)	3.3V
I(D1), I(D2), I(D3), I(D4), I(D5), I(D6),I(D7), I(D8)	20mA When Vbattery is 12V

Table 8-1. Design Parameters (continued)

DESIGN PARAMETER	EXAMPLE VALUE
I(D9), I(D10), I(D11), I(D12), I(D13), I(D14), I(D15), I(D16)	30mA When Vbattery is 12V

8.2.2 Detailed Design Procedure

To begin the design process, one must decide on a few parameters. The designer must know the following:

- Vsupply - LED supply is connect battery directly or fix voltage, this application connect the battery directly.
- V(Dx) – LED forward voltage
- I(Dx) – LED setting current when battery is 12V.

R1, R2, R3, R4, R5, R6, R7, R8

$$R1 = R2 = R3 = R4 = R5 = R6 = R7 = R8 = \frac{(V_{supply} - V(Dx))}{I(Dx)} = \frac{(12V - 2V)}{0.02A} = 500\Omega \quad (1)$$

When Vsupply is 9V,

$$I(D1) = I(D2) = I(D3) = I(D4) = I(D5) = I(D6) = I(D7) = I(D8) = \frac{(V_{supply} - V(Dx))}{R_x} = 14mA \quad (2)$$

When Vsupply is 16V,

$$I(D1) = I(D2) = I(D3) = I(D4) = I(D5) = I(D6) = I(D7) = I(D8) = \frac{(V_{supply} - V(Dx))}{R_x} = 28mA \quad (3)$$

R9, R10, R11, R12, R13, R14, R15, R16

$$R9 = R10 = R11 = R12 = R13 = R14 = R15 = R16 = \frac{(V_{supply} - V(Dx))}{I(Dx)} = \frac{(12V - 3.3V)}{0.03A} = 290\Omega \quad (4)$$

When Vsupply is 9V,

$$I(D9) = I(D10) = I(D11) = I(D12) = I(D13) = I(D14) = I(D15) = I(D16) = \frac{(V_{supply} - V(Dx))}{R_x} = 19.7mA \quad (5)$$

When Vsupply is 16V,

$$I(D9) = I(D10) = I(D11) = I(D12) = I(D13) = I(D14) = I(D15) = I(D16) = \frac{(V_{supply} - V(Dx))}{R_x} = 43.8mA \quad (6)$$

Note

If customers can accept the current variation when battery voltage is changing, they can connect to the battery directly. If customers need the less variation of current, they must use the voltage regulator as supply voltage of LED, or change to constant current LED driver directly.

8.4.2 Layout Example

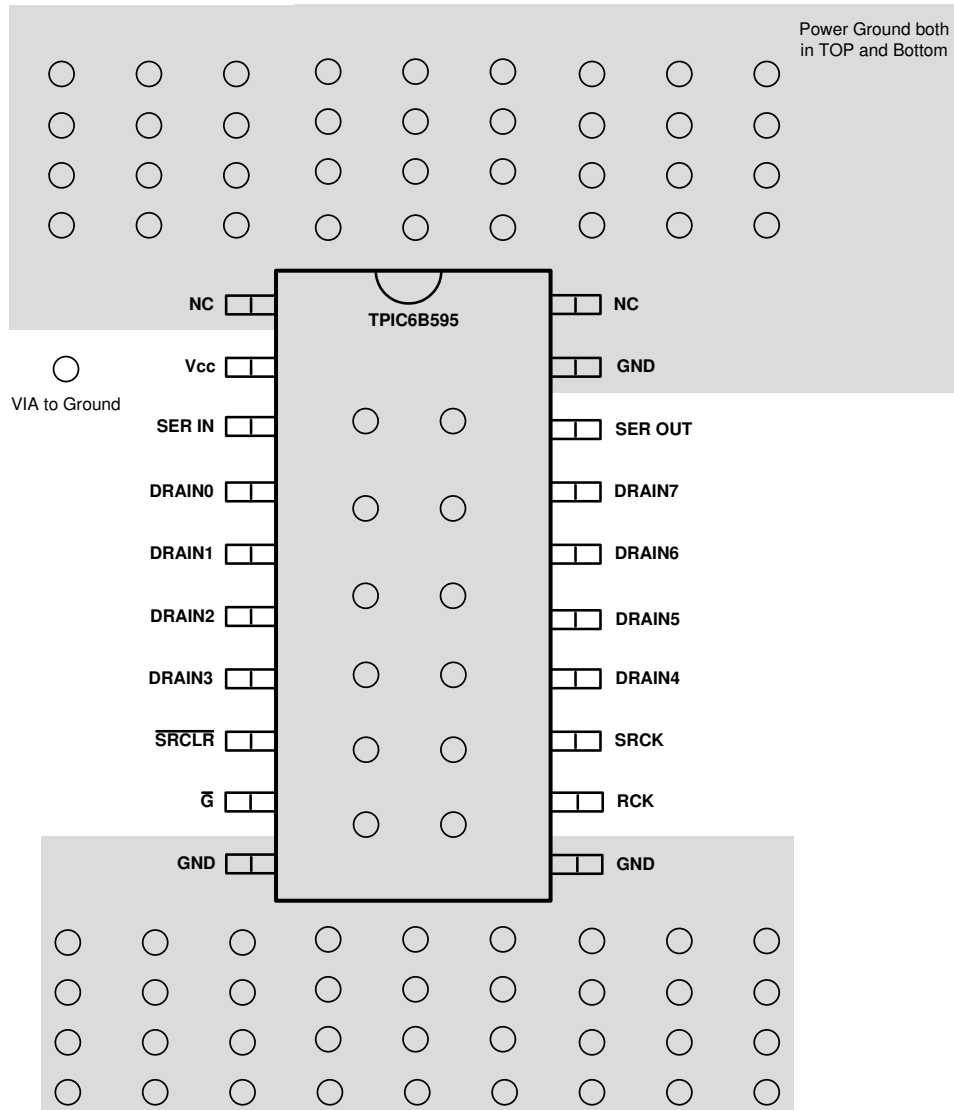


Figure 8-3. TPIC6B595 Layout Example

9 Device and Documentation Support

9.1 Support Resources

TI E2E™ support forums are an engineer's go-to source for fast, verified answers and design help — straight from the experts. Search existing answers or ask your own question to get the quick design help you need.

Linked content is provided "AS IS" by the respective contributors. They do not constitute TI specifications and do not necessarily reflect TI's views; see TI's [Terms of Use](#).

9.2 Trademarks

TI E2E™ is a trademark of Texas Instruments.
All trademarks are the property of their respective owners.

9.3 Electrostatic Discharge Caution



This integrated circuit can be damaged by ESD. Texas Instruments recommends that all integrated circuits be handled with appropriate precautions. Failure to observe proper handling and installation procedures can cause damage.

ESD damage can range from subtle performance degradation to complete device failure. Precision integrated circuits may be more susceptible to damage because very small parametric changes could cause the device not to meet its published specifications.

9.4 Glossary

[TI Glossary](#) This glossary lists and explains terms, acronyms, and definitions.

10 Revision History

NOTE: Page numbers for previous revisions may differ from page numbers in the current version.

Changes from Revision C (March 2025) to Revision D (April 2025)	Page
• Updated Device Information table.....	1

Changes from Revision B (September 2014) to Revision C (March 2025)	Page
• Updated Applications section.....	1

Changes from Revision A (May 2005) to Revision B (September 2014)	Page
• Updated the numbering format for tables, figures, and cross-references throughout the document.....	1
• Changed SRCLR timing diagram.....	1
• Added <i>ESD Ratings</i> table, <i>Feature Description</i> section, <i>Device Functional Modes, Application and Implementation</i> section, <i>Power Supply Recommendations</i> section, <i>Layout</i> section, <i>Device and Documentation Support</i> section, and <i>Mechanical, Packaging, and Orderable Information</i> section	4

Changes from Revision * (July 1995) to Revision A (May 2005)	Page
• Changed SRCLR timing diagram.....	1

11 Mechanical, Packaging, and Orderable Information

The following pages include mechanical, packaging, and orderable information. This information is the most current data available for the designated devices. This data is subject to change without notice and revision of this document. For browser-based versions of this data sheet, refer to the left-hand navigation.

PACKAGING INFORMATION

Orderable part number	Status (1)	Material type (2)	Package Pins	Package qty Carrier	RoHS (3)	Lead finish/ Ball material (4)	MSL rating/ Peak reflow (5)	Op temp (°C)	Part marking (6)
TPIC6B595DW	Obsolete	Production	SOIC (DW) 20	-	-	Call TI	Call TI	-40 to 125	
TPIC6B595DWG4	Obsolete	Production	SOIC (DW) 20	-	-	Call TI	Call TI	-	
TPIC6B595DWR	Active	Production	SOIC (DW) 20	2000 LARGE T&R	Yes	NIPDAU	Level-1-260C-UNLIM	-40 to 125	TPIC6B595
TPIC6B595DWR.A	Active	Production	SOIC (DW) 20	2000 LARGE T&R	Yes	NIPDAU	Level-1-260C-UNLIM	-40 to 125	TPIC6B595
TPIC6B595DWRG4	Obsolete	Production	SOIC (DW) 20	-	-	Call TI	Call TI	-	
TPIC6B595N	NRND	Production	PDIP (N) 20	20 TUBE	Yes	NIPDAU	N/A for Pkg Type	-40 to 125	TPIC6B595N
TPIC6B595N.A	NRND	Production	PDIP (N) 20	20 TUBE	Yes	NIPDAU	N/A for Pkg Type	-40 to 125	TPIC6B595N

(1) **Status:** For more details on status, see our [product life cycle](#).

(2) **Material type:** When designated, preproduction parts are prototypes/experimental devices, and are not yet approved or released for full production. Testing and final process, including without limitation quality assurance, reliability performance testing, and/or process qualification, may not yet be complete, and this item is subject to further changes or possible discontinuation. If available for ordering, purchases will be subject to an additional waiver at checkout, and are intended for early internal evaluation purposes only. These items are sold without warranties of any kind.

(3) **RoHS values:** Yes, No, RoHS Exempt. See the [TI RoHS Statement](#) for additional information and value definition.

(4) **Lead finish/Ball material:** Parts may have multiple material finish options. Finish options are separated by a vertical ruled line. Lead finish/Ball material values may wrap to two lines if the finish value exceeds the maximum column width.

(5) **MSL rating/Peak reflow:** The moisture sensitivity level ratings and peak solder (reflow) temperatures. In the event that a part has multiple moisture sensitivity ratings, only the lowest level per JEDEC standards is shown. Refer to the shipping label for the actual reflow temperature that will be used to mount the part to the printed circuit board.

(6) **Part marking:** There may be an additional marking, which relates to the logo, the lot trace code information, or the environmental category of the part.

Multiple part markings will be inside parentheses. Only one part marking contained in parentheses and separated by a "-" will appear on a part. If a line is indented then it is a continuation of the previous line and the two combined represent the entire part marking for that device.

Important Information and Disclaimer: The information provided on this page represents TI's knowledge and belief as of the date that it is provided. TI bases its knowledge and belief on information provided by third parties, and makes no representation or warranty as to the accuracy of such information. Efforts are underway to better integrate information from third parties. TI has taken and continues to take reasonable steps to provide representative and accurate information but may not have conducted destructive testing or chemical analysis on incoming materials and chemicals. TI and TI suppliers consider certain information to be proprietary, and thus CAS numbers and other limited information may not be available for release.

In no event shall TI's liability arising out of such information exceed the total purchase price of the TI part(s) at issue in this document sold by TI to Customer on an annual basis.

TAPE AND REEL INFORMATION

QUADRANT ASSIGNMENTS FOR PIN 1 ORIENTATION IN TAPE


*All dimensions are nominal

Device	Package Type	Package Drawing	Pins	SPQ	Reel Diameter (mm)	Reel Width W1 (mm)	A0 (mm)	B0 (mm)	K0 (mm)	P1 (mm)	W (mm)	Pin1 Quadrant
TPIC6B595DWR	SOIC	DW	20	2000	330.0	24.4	10.8	13.3	2.7	12.0	24.0	Q1
TPIC6B595DWR	SOIC	DW	20	2000	330.0	24.4	10.8	13.3	2.7	12.0	24.0	Q1

TAPE AND REEL BOX DIMENSIONS



*All dimensions are nominal

Device	Package Type	Package Drawing	Pins	SPQ	Length (mm)	Width (mm)	Height (mm)
TPIC6B595DWR	SOIC	DW	20	2000	350.0	350.0	43.0
TPIC6B595DWR	SOIC	DW	20	2000	350.0	350.0	43.0

TUBE


*All dimensions are nominal

Device	Package Name	Package Type	Pins	SPQ	L (mm)	W (mm)	T (μm)	B (mm)
TPIC6B595N	N	PDIP	20	20	506	13.97	11230	4.32
TPIC6B595N.A	N	PDIP	20	20	506	13.97	11230	4.32

N (R-PDIP-T**)

PLASTIC DUAL-IN-LINE PACKAGE

16 PINS SHOWN



- NOTES:
- A. All linear dimensions are in inches (millimeters).
 - B. This drawing is subject to change without notice.
 - Falls within JEDEC MS-001, except 18 and 20 pin minimum body length (Dim A).
 - The 20 pin end lead shoulder width is a vendor option, either half or full width.

DW0020A



PACKAGE OUTLINE

SOIC - 2.65 mm max height

SOIC



4220724/A 05/2016

NOTES:

1. All linear dimensions are in millimeters. Dimensions in parenthesis are for reference only. Dimensioning and tolerancing per ASME Y14.5M.
2. This drawing is subject to change without notice.
3. This dimension does not include mold flash, protrusions, or gate burrs. Mold flash, protrusions, or gate burrs shall not exceed 0.15 mm per side.
4. This dimension does not include interlead flash. Interlead flash shall not exceed 0.43 mm per side.
5. Reference JEDEC registration MS-013.

EXAMPLE BOARD LAYOUT

DW0020A

SOIC - 2.65 mm max height

SOIC



LAND PATTERN EXAMPLE
SCALE:6X



SOLDER MASK DETAILS

4220724/A 05/2016

NOTES: (continued)

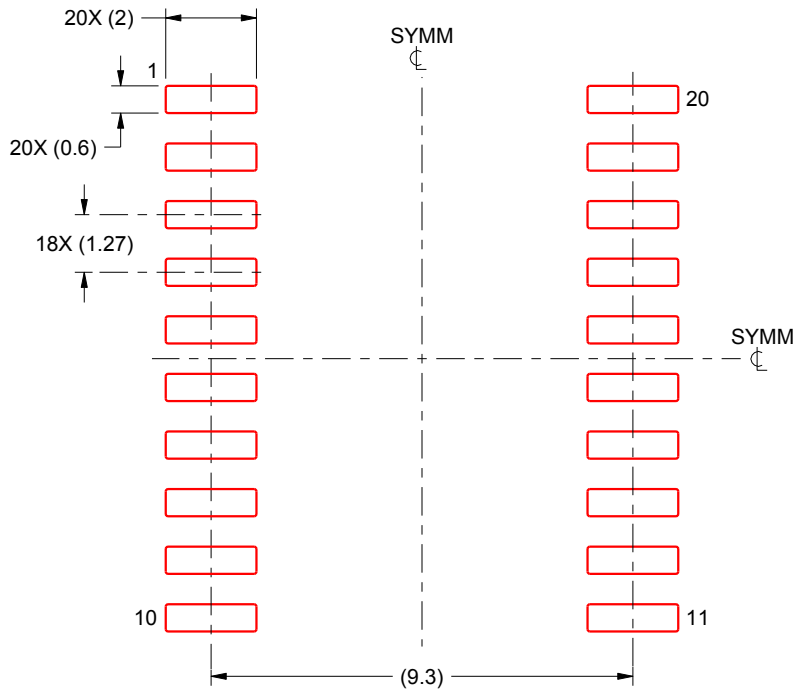
- 6. Publication IPC-7351 may have alternate designs.
- 7. Solder mask tolerances between and around signal pads can vary based on board fabrication site.

EXAMPLE STENCIL DESIGN

DW0020A

SOIC - 2.65 mm max height

SOIC



SOLDER PASTE EXAMPLE
BASED ON 0.125 mm THICK STENCIL
SCALE:6X

4220724/A 05/2016

NOTES: (continued)

8. Laser cutting apertures with trapezoidal walls and rounded corners may offer better paste release. IPC-7525 may have alternate design recommendations.
9. Board assembly site may have different recommendations for stencil design.

IMPORTANT NOTICE AND DISCLAIMER

TI PROVIDES TECHNICAL AND RELIABILITY DATA (INCLUDING DATASHEETS), DESIGN RESOURCES (INCLUDING REFERENCE DESIGNS), APPLICATION OR OTHER DESIGN ADVICE, WEB TOOLS, SAFETY INFORMATION, AND OTHER RESOURCES "AS IS" AND WITH ALL FAULTS, AND DISCLAIMS ALL WARRANTIES, EXPRESS AND IMPLIED, INCLUDING WITHOUT LIMITATION ANY IMPLIED WARRANTIES OF MERCHANTABILITY, FITNESS FOR A PARTICULAR PURPOSE OR NON-INFRINGEMENT OF THIRD PARTY INTELLECTUAL PROPERTY RIGHTS.

These resources are intended for skilled developers designing with TI products. You are solely responsible for (1) selecting the appropriate TI products for your application, (2) designing, validating and testing your application, and (3) ensuring your application meets applicable standards, and any other safety, security, regulatory or other requirements.

These resources are subject to change without notice. TI grants you permission to use these resources only for development of an application that uses the TI products described in the resource. Other reproduction and display of these resources is prohibited. No license is granted to any other TI intellectual property right or to any third party intellectual property right. TI disclaims responsibility for, and you fully indemnify TI and its representatives against any claims, damages, costs, losses, and liabilities arising out of your use of these resources.

TI's products are provided subject to [TI's Terms of Sale](#), [TI's General Quality Guidelines](#), or other applicable terms available either on [ti.com](#) or provided in conjunction with such TI products. TI's provision of these resources does not expand or otherwise alter TI's applicable warranties or warranty disclaimers for TI products. Unless TI explicitly designates a product as custom or customer-specified, TI products are standard, catalog, general purpose devices.

TI objects to and rejects any additional or different terms you may propose.

Copyright © 2026, Texas Instruments Incorporated

Last updated 10/2025