

TPS28225-Q1 Automotive High-Frequency 4-A Sink Synchronous MOSFET Drivers

1 Features

- Qualified for automotive applications
- Drives two N-channel MOSFETs with 14-ns adaptive dead time
- Wide gate drive voltage: 4.5 V up to 8.8 V with best efficiency at 7 V to 8 V
- Wide power system train input voltage: 3 V up to 27 V
- Wide input PWM signals: 2-V up to 13.2-V amplitude
- Capable of driving MOSFETs with ≥ 40 -A current per phase
- High frequency operation: 14-ns propagation delay and 10-ns rise or fall time allows F_{SW} up to 2 MHz
- Capable of propagating < 30 -ns input PWM pulses
- Low-side driver sink on-resistance (0.4Ω) prevents dV/dT related shoot-through current
- Three-state PWM input for power stage shutdown
- Space saving enable (input) and power good (output) signals on the same pin
- Thermal shutdown
- UVLO protection
- Internal bootstrap diode
- Economical SOIC-8 and thermally enhanced 3-mm \times 3-mm VSON-8 packages
- High performance replacement for popular three-state input drivers

2 Applications

- Multi-phase DC-to-DC converters with analog or digital control
- Synchronous rectification for isolated point of load
- Wireless charging transmitter

3 Description

The TPS28225-Q1 is a high-speed driver for N-channel complementary driven power MOSFETs with adaptive dead-time control. This driver is optimized for use in variety of high-current, single and multi-phase DC-to-DC converters. The TPS28225-Q1 is highly efficient, has a small solution size and low-EMI emissions.

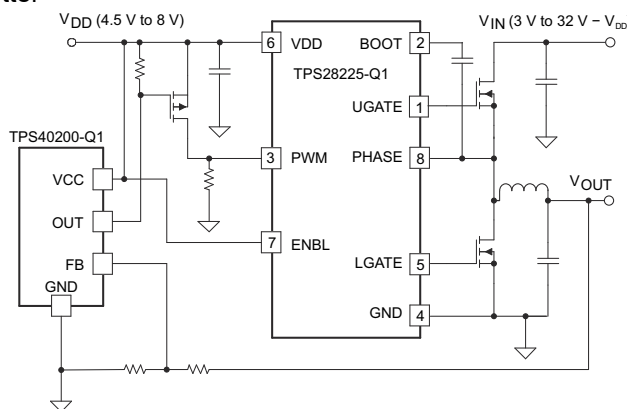
The TPS28225-Q1 device offers high performance features such as a 8.8-V gate drive voltage, 14-ns adaptive dead-time control, 14-ns propagation delays and high-current 2-A source and 4-A sink drive capabilities. The $0.4\text{-}\Omega$ impedance for the lower gate driver holds the gate of power MOSFET below its threshold and ensures no shoot-through current at high dV/dt phase node transitions. The bootstrap capacitor is charged by an internal diode which allows the use of an N-channel MOSFETs in a half-bridge configuration.

The TPS28225-Q1 is offered in an economical SOIC-8 package and in a thermally enhanced small sized VSON package. The driver is specified to operate in the temperature range of -40°C to 105°C with the absolute maximum junction temperature of 150°C .

Device Information⁽¹⁾

PART NUMBER	PACKAGE	BODY SIZE (NOM)
TPS28225-Q1	SOIC (8)	5.00 mm \times 6.20 mm
	VSON (8)	3.00 mm \times 3.00 mm

- (1) For all available packages, see the orderable addendum at the end of the data sheet.



Copyright © 2016, Texas Instruments Incorporated

Simplified Schematic



Table of Contents

1 Features	1	8 Application and Implementation	15
2 Applications	1	8.1 Application Information.....	15
3 Description	1	8.2 Typical Application.....	16
4 Revision History	2	9 Power Supply Recommendations	23
5 Pin Configuration and Functions	3	10 Layout	24
6 Specifications	4	10.1 Layout Guidelines.....	24
6.1 Absolute Maximum Ratings.....	4	10.2 Layout Example.....	24
6.2 ESD Ratings.....	4	11 Device and Documentation Support	25
6.3 Recommended Operating Conditions.....	4	11.1 Third-Party Products Disclaimer.....	25
6.4 Thermal Information.....	5	11.2 Documentation Support.....	25
6.5 Electrical Characteristics.....	5	11.3 Receiving Notification of Documentation Updates..	25
6.6 Switching Characteristics.....	7	11.4 Support Resources.....	25
6.7 Typical Characteristics.....	8	11.5 Trademarks.....	25
7 Detailed Description	11	11.6 Electrostatic Discharge Caution.....	25
7.1 Overview.....	11	11.7 Glossary.....	25
7.2 Functional Block Diagram.....	11	12 Mechanical, Packaging, and Orderable Information	25
7.3 Feature Description.....	11		
7.4 Device Functional Modes.....	15		

4 Revision History

NOTE: Page numbers for previous revisions may differ from page numbers in the current version.

Changes from Revision C (October 2016) to Revision D (December 2021)	Page
• Updated the data sheet to reflect the latest Texas Instruments data sheet standards, which includes adding "Automotive" to the title.....	1
• Deleted the operating ambient temperature from the <i>Absolute Maximum Ratings</i> table.....	4

Changes from Revision B (April 2015) to Revision C (October 2016)	Page
• Deleted remaining references to the TPS25226-Q1 device.....	1
• Deleted the AEC-Q100 qualified features (device temperature grade and HBM and CDM ESD classification) from the <i>Features</i> section.....	1
• Changed DFN-8 to VSON-8 in the <i>Features</i> list	1
• Added <i>ESD Ratings</i> table, <i>Overview</i> section, <i>Device Functional Modes</i> section, <i>Application Information</i> section, <i>Power Supply Recommendations</i> section, and <i>Receiving Notification of Documentation Updates</i> section.....	1
• Updated the <i>Description</i> section	1
• Added the 8-pin VSON (DRB) package to the data sheet.....	1
• Deleted the lead temperature parameter from the <i>Absolute Maximum Ratings</i> table.....	4
• Deleted the input supply voltage parameter for the TPS28226-Q1 device in the <i>Recommended Operating Conditions</i> table.....	4
• Added resistors between UGATE and PHASE, and LGATE and GND in the <i>Functional Block Diagram</i>	11
• Deleted the <i>TPS28225-Q1 3-State Exit Mode</i> section	12
• Added document reference to Figure 28 and <i>Related Documentation</i> section	18
• Deleted the <i>List of Materials</i> table	22
• Deleted references to Q8, Q9, and Q10 MOSFETs, and the rising and falling edge switching waveforms.....	24
• Changed <i>Layout Example</i> figure.....	24

5 Pin Configuration and Functions

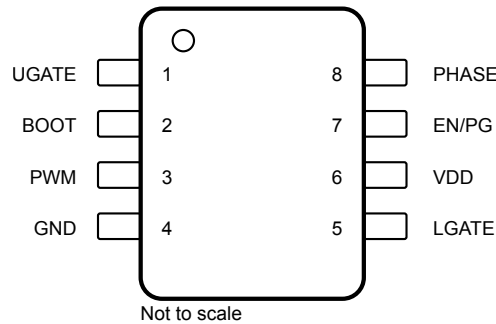


Figure 5-1. D Package 8-Pin SOIC Top View

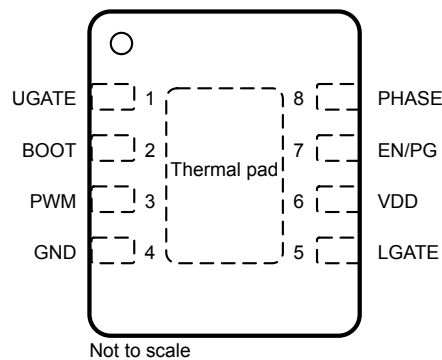


Figure 5-2. DRB Package 8-Pin VSON With Exposed Thermal Pad Top View

Table 5-1. Pin Functions

NAME	PIN NO.		TYPE	DESCRIPTION
	SOIC-8	VSON-8		
BOOT	2	2	I	Floating bootstrap supply pin for the upper gate drive. Connect the bootstrap capacitor between this pin and the PHASE pin. The bootstrap capacitor provides the charge to turn on the upper MOSFET.
EN/PG	7	7	I	Enable and Power Good input-output pin with 1-M Ω impedance. Connect this pin HIGH to enable and LOW to disable the device. When disabled, the device draws less than 350- μ A bias current. If the V _{DD} voltage is below the UVLO threshold or overtemperature shutdown occurs, this pin is internally pulled low.
GND	4	4	GND	Ground pin. All signals are referenced to this node.
LGATE	5	5	I	Lower gate-drive sink and source output. Connect to the gate of the low-side power N-Channel MOSFET.
PHASE	8	8	I	Connect this pin to the source of the upper MOSFET and the drain of the lower MOSFET. This pin provides a return path for the upper gate driver.
PWM	3	3	—	The PWM signal is the control input for the driver. The PWM signal can enter three distinct states during operation, see the Section 7.3.4 section for more details. Connect this pin to the PWM output of the controller.
UGATE	1	1	I/O	Upper gate-drive sink and source output. Connect to gate of high-side power N-Channel MOSFET.
VDD	6	6	PWR	Connect this pin to a 5-V bias supply. Place a high quality bypass capacitor from this pin to GND.
Thermal pad		Exposed die pad	O	Connect directly to GND for better thermal performance and EMI.

6 Specifications

6.1 Absolute Maximum Ratings

over operating free-air temperature range (unless otherwise noted)^{(1) (2)}

		MIN	MAX	UNIT
Input supply voltage	V_{DD}	-0.3	8.8	V
Boot voltage	V_{BOOT}	-0.3	33	V
Phase voltage	V_{PHASE} , DC	-2	32 or $V_{BOOT} + 0.3 - V_{DD}$ whichever is less	V
	V_{PHASE} , pulse < 400 ns, E = 20 μ J	-7	33.1 or $V_{BOOT} + 0.3 - V_{DD}$ whichever is less	V
Input voltage	V_{PWM} , $V_{EN/PG}$	-0.3	13.2	V
Output voltage	V_{UGATE} , ($V_{BOOT} - V_{PHASE} < 8.8$)	$V_{PHASE} - 0.3$	$V_{BOOT} + 0.3$	V
	V_{UGATE} , Pulse < 100 ns, E = 2 μ J, ($V_{BOOT} - V_{PHASE} < 8.8$)	$V_{PHASE} - 2$	$V_{BOOT} + 0.3$	V
	V_{LGATE}	-0.3	$V_{DD} + 0.3$	V
	V_{LGATE} , Pulse < 100 ns, E = 2 μ J	-2	$V_{DD} + 0.3$	V
T_J	Operating virtual junction temperature	-40	150	$^{\circ}$ C
T_{stg}	Storage temperature	-65	150	$^{\circ}$ C

- (1) Operation outside the Absolute Maximum Ratings may cause permanent device damage. Absolute Maximum Ratings do not imply functional operation of the device at these or any other conditions beyond those listed under Recommended Operating Conditions. If outside the Recommended Operating Conditions but within the Absolute Maximum Ratings, the device may not be fully functional, and this may affect device reliability, functionality, performance, and shorten the device lifetime.
- (2) All voltages are with respect to GND unless otherwise noted. Currents are positive into, negative out of the specified terminal. Consult Packaging Section of the Data book for thermal limitations and considerations of packages.

6.2 ESD Ratings

		VALUE	UNIT
$V_{(ESD)}$	Electrostatic discharge	Human-body model (HBM), per AEC Q100-002 ⁽¹⁾	± 2000
		Charged-device model (CDM), per AEC Q100-011	± 750

- (1) AEC Q100-002 indicates that HBM stressing shall be in accordance with the ANSI/ESDA/JEDEC JS-001 specification.

6.3 Recommended Operating Conditions

over operating free-air temperature range (unless otherwise noted)

		MIN	NOM	MAX	UNIT
V_{DD}	Input supply voltage	4.5	7.2	8	V
V_{IN}	Power input voltage	3		$32 - V_{DD}$	V
T_J	Operating junction temperature	-40		125	$^{\circ}$ C

6.4 Thermal Information

THERMAL METRIC ⁽¹⁾		TPS28225-Q1		UNIT
		DRB (VSON)	D (SOIC)	
		8 PINS	8 PINS	
R _{θJA}	Junction-to-ambient thermal resistance	50.2	123.2	°C/W
R _{θJC(top)}	Junction-to-case (top) thermal resistance	57.5	77	°C/W
R _{θJB}	Junction-to-board thermal resistance	25.9	63.5	°C/W
ψ _{JT}	Junction-to-top characterization parameter	1.5	27.7	°C/W
ψ _{JB}	Junction-to-board characterization parameter	26	63	°C/W
R _{θJC(bot)}	Junction-to-case (bottom) thermal resistance	9.5	N/A	°C/W

(1) For more information about traditional and new thermal metrics, see the [Semiconductor and IC Package Thermal Metrics](#) application report.

6.5 Electrical Characteristics

V_{DD} = 7.2 V, EN/PG pulled up to V_{DD} by 100-kΩ resistor, T_A = –40°C to 105°C (unless otherwise noted)⁽¹⁾

PARAMETER		TEST CONDITIONS	MIN	TYP	MAX	UNIT
UNDER VOLTAGE LOCKOUT						
Rising threshold		V _{PWM} = 0 V	3.2	3.5	3.8	V
		V _{PWM} = 0 V, T _A = 25°C		3.5		
Falling threshold		V _{PWM} = 0 V	2.7			V
		V _{PWM} = 0 V, T _A = 25°C		3		
Hysteresis		T _A = 25°C		0.5		V
BIAS CURRENTS						
I _{DD(off)}	Bias supply current	V _{EN/PG} = low, PWM pin floating, T _A = 25°C		350		μA
I _{DD}	Bias supply current	V _{EN/PG} = high, PWM pin floating, T _A = 25°C		500		μA
INPUT (PWM)						
I _{PWM}	Input current	V _{PWM} = 5 V, T _A = 25°C		185		μA
		V _{PWM} = 0 V, T _A = 25°C		–200		μA
	PWM 3-state rising threshold ⁽²⁾	T _A = 25°C		1		V
	PWM 3-state falling threshold	V _{PWM PEAK} = 5 V	3.4		4	V
		V _{PWM PEAK} = 5 V, T _A = 25°C		3.8		
t _{HLD_R}	3-state shutdown hold-off time	T _A = 25°C		250		ns
T _{MIN}	PWM minimum pulse to force U _{GATE} pulse	C _L = 3 nF at U _{GATE} , V _{PWM} = 5 V		30		ns
ENABLE/POWER GOOD (EN/PG)						
	Enable high rising threshold	PG FET OFF			2.1	V
		PG FET OFF, T _A = 25°C		1.7		
	Enable low falling threshold	PG FET OFF	0.8			V
		PG FET OFF, T _A = 25°C		1		
	Hysteresis	T _A = 25°C	0.35			V
				0.7		
	Power good output	V _{DD} = 2.5 V			0.2	V
UPPER GATE DRIVER OUTPUT (UGATE)						
	Source resistance	500-mA source current			2	Ω
		500-mA source current, T _A = 25°C		1		
	Source current ⁽²⁾	V _{UGATE-PHASE} = 2.5 V, T _A = 25°C		2		A

6.5 Electrical Characteristics (continued)

 $V_{DD} = 7.2\text{ V}$, EN/PG pulled up to V_{DD} by 100-k Ω resistor, $T_A = -40^\circ\text{C}$ to 105°C (unless otherwise noted)⁽¹⁾

PARAMETER		TEST CONDITIONS	MIN	TYP	MAX	UNIT
t_{RU}	Rise time	$C_L = 3\text{ nF}$, $T_A = 25^\circ\text{C}$		10		ns
	Sink resistance	500-mA sink current			2	Ω
		500-mA sink current, $T_A = 25^\circ\text{C}$		1		
	Sink current ⁽²⁾	$V_{UGATE-PHASE} = 2.5\text{ V}$, $T_A = 25^\circ\text{C}$		2		A
t_{FU}	Fall time	$C_L = 3\text{ nF}$, $T_A = 25^\circ\text{C}$		10		ns
LOWER GATE DRIVER OUTPUT (LGATE)						
	Source resistance	500-mA source current			2	Ω
		500-mA source current, $T_A = 25^\circ\text{C}$		1		
	Source current ⁽²⁾	$V_{LGATE} = 2.5\text{ V}$, $T_A = 25^\circ\text{C}$		2		A
t_{RL}	Rise time ⁽²⁾	$C_L = 3\text{ nF}$, $T_A = 25^\circ\text{C}$		10		ns
	Sink resistance	500-mA sink current			1	Ω
		500-mA sink current, $T_A = 25^\circ\text{C}$		0.4		
	Sink current ⁽²⁾	$V_{LGATE} = 2.5\text{ V}$, $T_A = 25^\circ\text{C}$		4		A
	Fall time ⁽²⁾	$C_L = 3\text{ nF}$, $T_A = 25^\circ\text{C}$		5		ns
BOOTSTRAP DIODE						
V_F	Forward voltage	Forward bias current 100 mA, $T_A = 25^\circ\text{C}$		1		V
THERMAL SHUTDOWN						
	Rising threshold ⁽²⁾		150		170	$^\circ\text{C}$
		$T_A = 25^\circ\text{C}$			160	
	Falling threshold ⁽²⁾		130		150	$^\circ\text{C}$
		$T_A = 25^\circ\text{C}$			140	
	Hysteresis	$T_A = 25^\circ\text{C}$		20		$^\circ\text{C}$

 (1) Typical values for $T_A = 25^\circ\text{C}$

(2) Not production tested

6.6 Switching Characteristics

over operating free-air temperature range (unless otherwise noted)

PARAMETER	TEST CONDITIONS	MIN	TYP	MAX	UNIT
SWITCHING TIME					
t_{DLU}	UGATE turn-off propagation delay	$C_L = 3\text{ nF}$	14		ns
t_{DLL}	LGATE turn-off propagation delay	$C_L = 3\text{ nF}$	14		ns
t_{DTU}	Dead time LGATE turnoff to UGATE turnon	$C_L = 3\text{ nF}$	14		ns
t_{DTL}	Dead time UGATE turnoff to LGATE turnon	$C_L = 3\text{ nF}$	14		ns

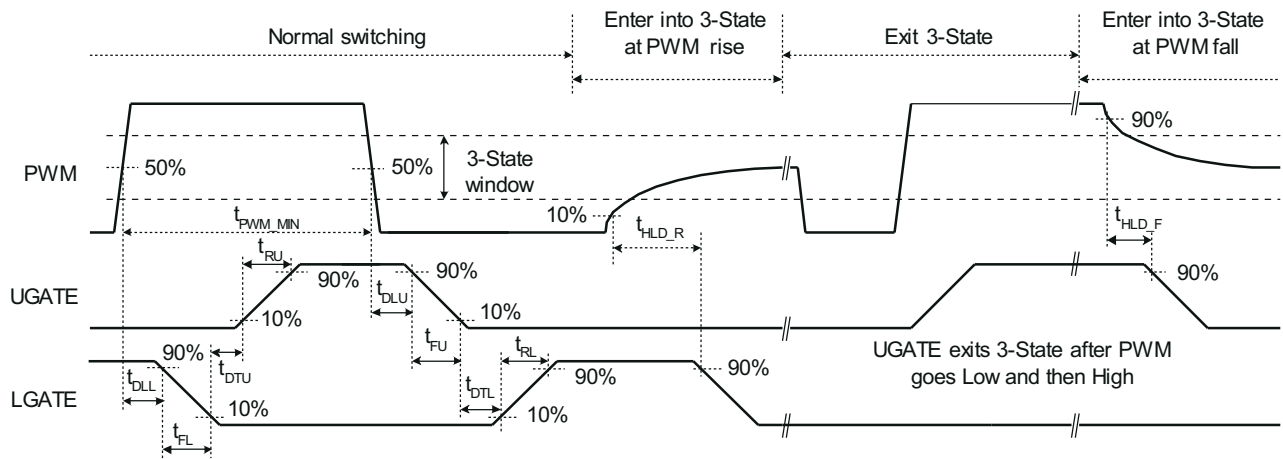
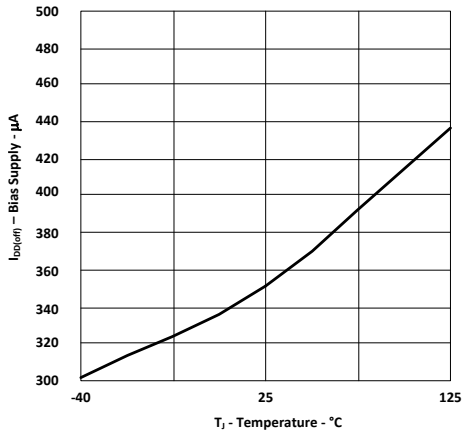


Figure 6-1. Timing Diagram

6.7 Typical Characteristics



V_{EN/PG} = Low PWM Input Floating V_{DD} = 7.2 V

Figure 6-2. Bias Supply Current vs Temperature

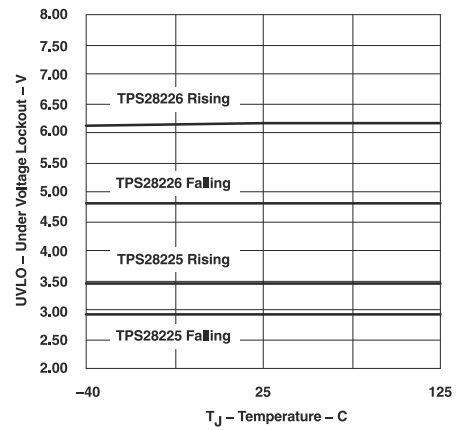
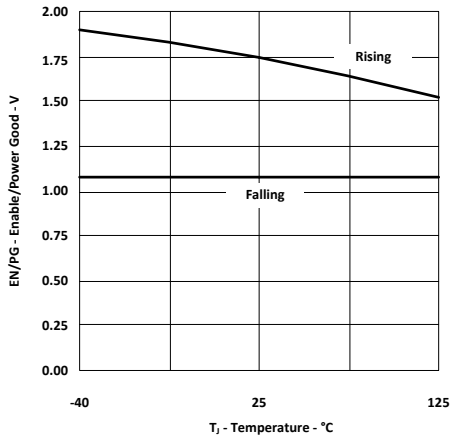
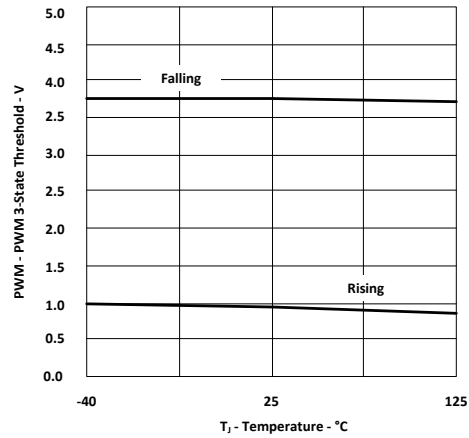


Figure 6-3. Undervoltage Lockout Threshold vs Temperature



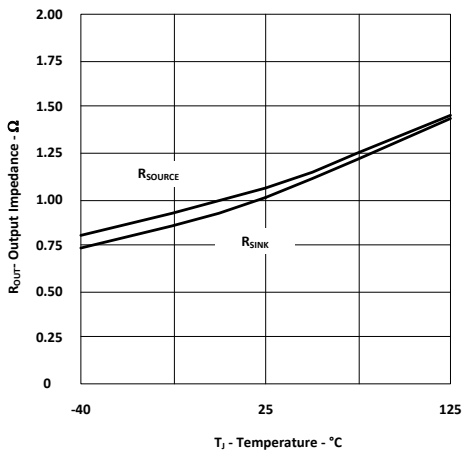
V_{DD} = 7.2 V

Figure 6-4. Enable/Power Good Threshold vs Temperature



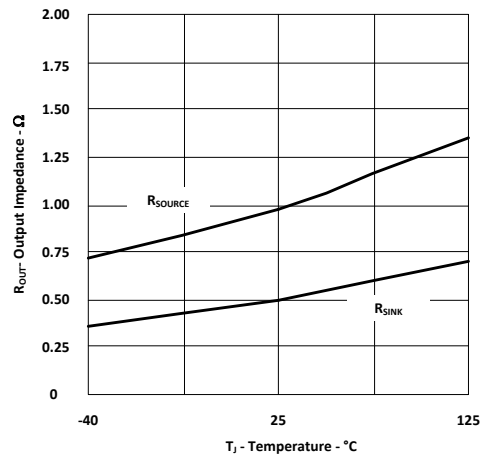
V_{DD} = 7.2 V

Figure 6-5. PWM 3-State Thresholds (5-V Input Pulses) vs Temperature



V_{DD} = 7.2 V

Figure 6-6. UGATE DC Output Impedance vs Temperature



V_{DD} = 7.2 V

Figure 6-7. LGATE DC Output Impedance vs Temperature

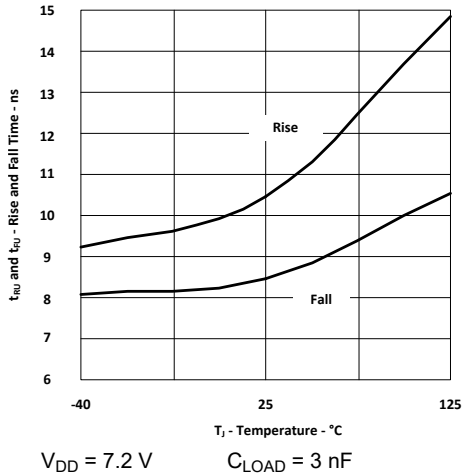


Figure 6-8. UGATE Rise and Fall Time vs Temperature

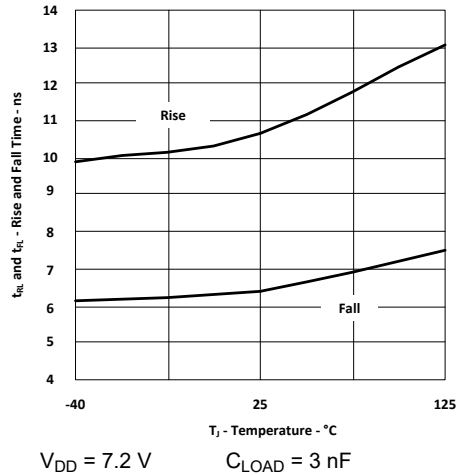


Figure 6-9. LGATE Rise and Fall Time vs Temperature

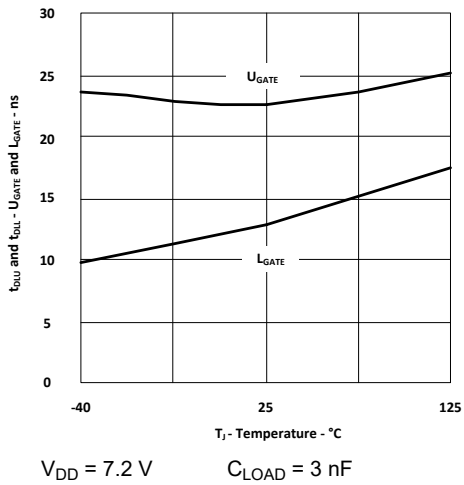


Figure 6-10. UGATE and LGATE (Turning OFF Propagation Delays) vs Temperature

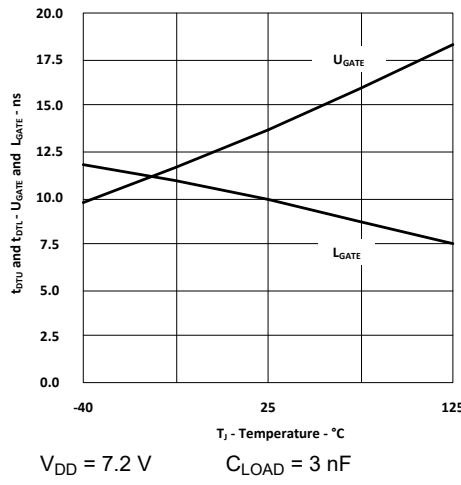


Figure 6-11. UGATE and LGATE (Dead Time) vs Temperature

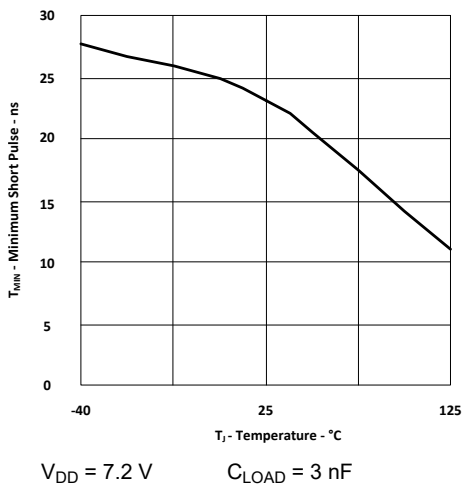


Figure 6-12. UGATE Minimum Short Pulse vs Temperature

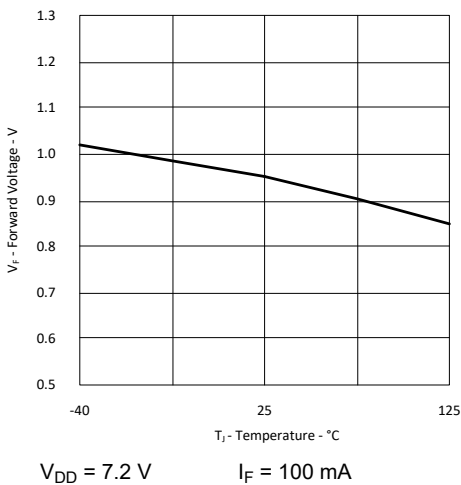
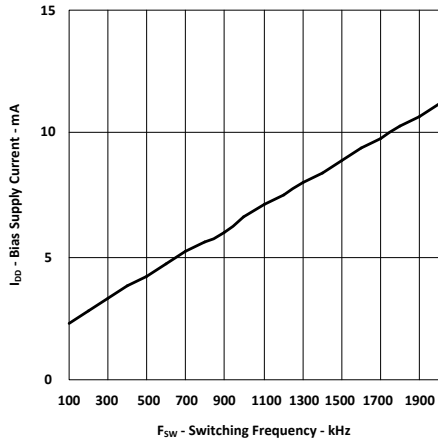
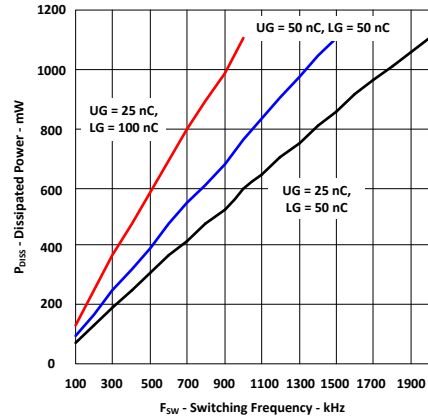


Figure 6-13. Bootstrap Diode Forward Voltage vs Temperature



$V_{DD} = 7.2\text{ V}$ No Load $T_J = 25^\circ\text{C}$

Figure 6-14. Bias Supply Current vs Switching Frequency



Different load charge $V_{DD} = 7.2\text{ V}$ $T_J = 25^\circ\text{C}$

Figure 6-15. Driver Dissipated Power vs Switching Frequency

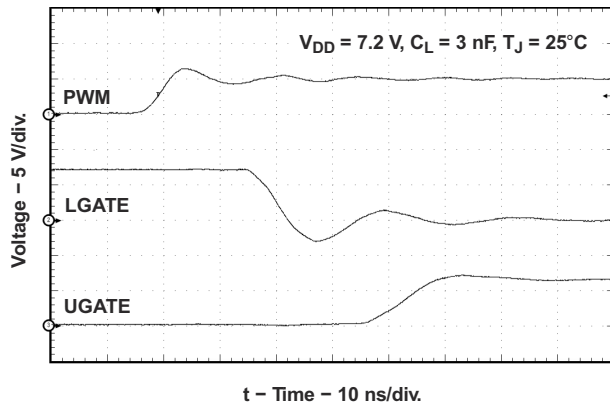


Figure 6-16. PWM Input Rising Switching Waveforms

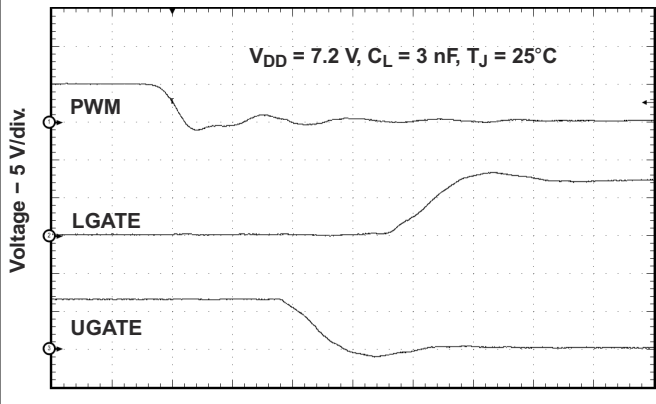


Figure 6-17. PWM Input Falling Switching Waveforms

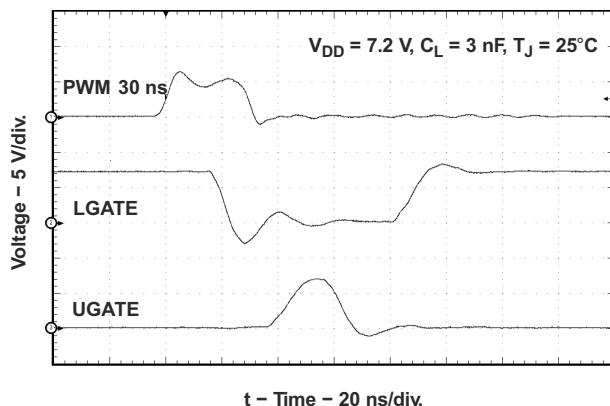


Figure 6-18. Minimum UGATE Pulse Switching Waveforms

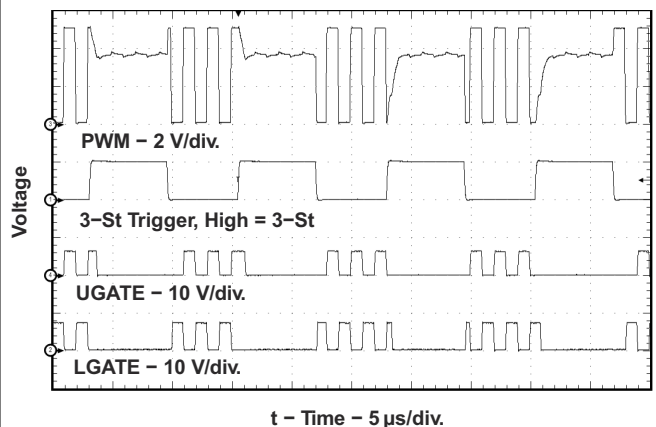


Figure 6-19. Normal and Three-State Operation ENTER/EXIT Conditions

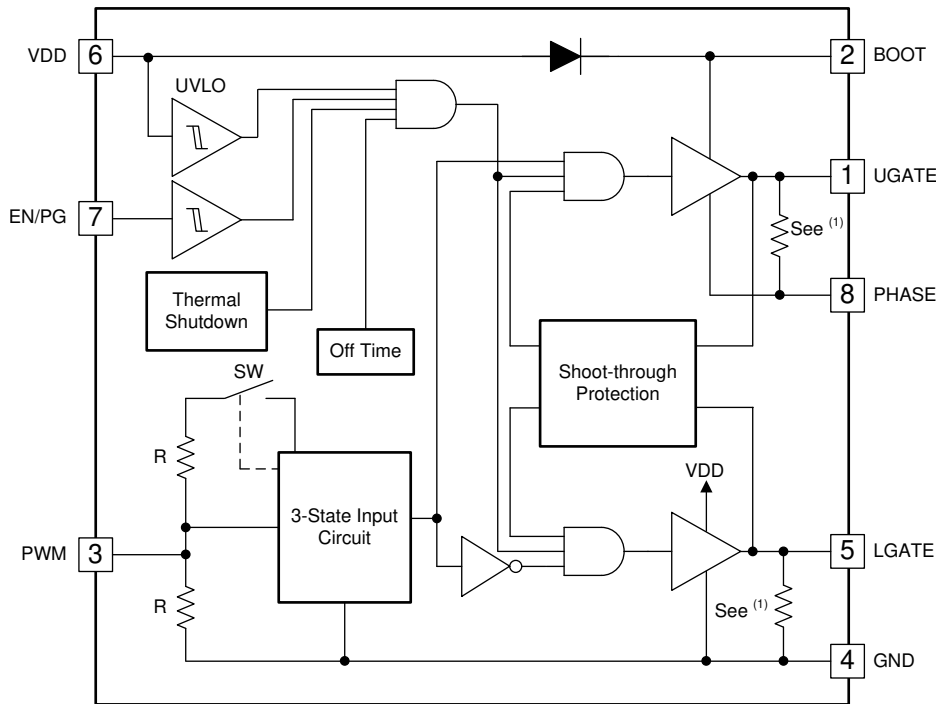
7 Detailed Description

7.1 Overview

The TPS28225-Q1 device features a 3-state PWM input compatible with all multi-phase controllers employing 3-state output feature. As long as the input stays within 3-state window for the 250-ns hold-off time, the driver switches both outputs low. This shutdown mode protects a load from the reversed output-voltage.

The other features include undervoltage lockout, thermal shutdown, and two-way enable/power good signal. Systems without 3-state featured controllers can use enable/power good input/output to hold both outputs low during shutting down.

7.2 Functional Block Diagram



Copyright © 2016, Texas Instruments Incorporated

A. See [Section 7.3.2](#).

7.3 Feature Description

7.3.1 Undervoltage Lockout (UVLO)

The TPS28225-Q1 device incorporates an undervoltage lockout circuit that keeps the driver disabled and external power FETs in an OFF state when the input supply voltage V_{DD} is insufficient to drive external power FETs reliably. During power up, both gate drive outputs remain low until voltage V_{DD} reaches UVLO threshold, typically 3.5 V. When the UVLO threshold is reached, the condition of gate drive outputs is defined by the input PWM and EN/PG signals. During power down the UVLO threshold is set lower, typically 3 V. The 0.5-V hysteresis is selected to prevent the driver from turning ON and OFF while the input voltage crosses UVLO thresholds, especially with low slew rate. The TPS28225-Q1 has the ability to send a signal back to the system controller that the input supply voltage V_{DD} is insufficient by internally pulling down the EN/PG pin. The TPS28225-Q1 releases EN/PG pin immediately after the V_{DD} has risen above the UVLO threshold.

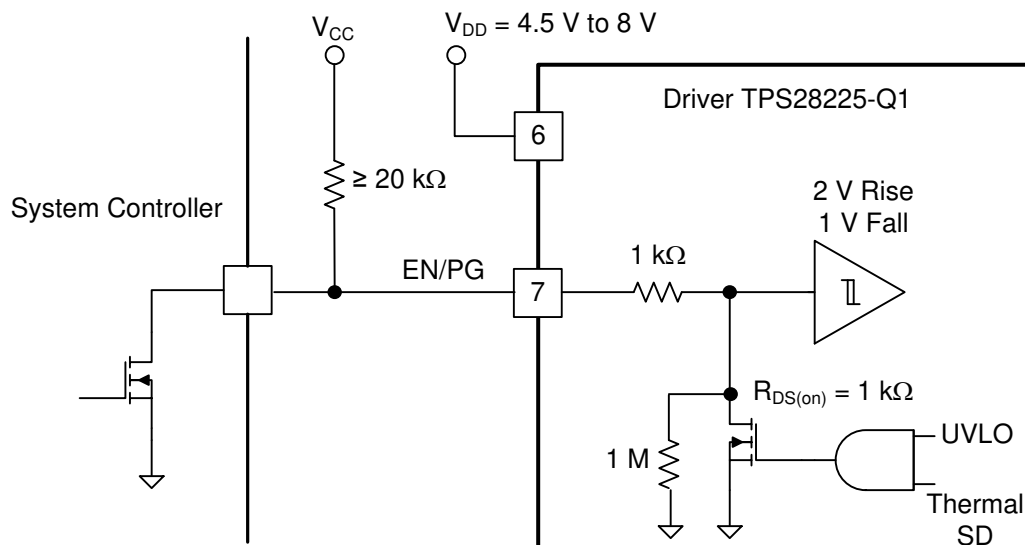
7.3.2 Output Active Low

The output active low circuit effectively keeps the gate outputs low even if the driver is not powered up. This prevents open gate conditions on the external power FETs and accidental turn ON when the main power stage supply voltage is applied before the driver is powered up. For the simplicity, the output active low circuit is

shown in the [Section 7.2](#) as the resistor connected between LGATE and GND pins with another one connected between UGATE and PHASE pins.

7.3.3 Enable/Power Good

The Enable/Power Good circuit allows the TPS28225-Q1 to follow the PWM input signal when the voltage at EN/PG pin is above 2.1 V maximum. This circuit has a unique two-way communication capability. This is illustrated by [Figure 7-1](#).



Copyright © 2016, Texas Instruments Incorporated

Figure 7-1. Enable/Power Good Circuit

The EN/PG pin has approximately 1-kΩ internal series resistor. Pulling EN/PG high by an external ≥ 20 -kΩ resistor allows two-way communication between controller and driver. If the input voltage V_{DD} is below UVLO threshold or thermal shut down occurs, the internal MOSFET pulls EN/PG pin to GND through 1-kΩ resistor. The voltage across the EN/PG pin is now defined by the resistor divider comprised by the external pull up resistor, 1-kΩ internal resistor and the internal FET having 1-kΩ $R_{DS(on)}$. Even if the system controller allows the driver to start by setting its own enable output transistor OFF, the driver keeps the voltage at EN/PG low. Low EN/PG signal indicates that the driver is not ready yet because the supply voltage V_{DD} is low or that the driver is in thermal shutdown mode. The system controller can arrange the delay of PWM input signals coming to the driver until the driver releases EN/PG pin. If the input voltage V_{DD} is back to normal, or the driver is cooled down below its lower thermal shutdown threshold, then the internal MOSFET releases the EN/PG pin and normal operation resumes under the external Enable signal applied to EN/PG input. Another feature includes an internal 1-MΩ resistor that pulls EN/PG pin low and disables the driver in case the system controller accidentally loses connection with the driver. This could happen if, for example, the system controller is located on a separate PCB daughter board.

The EN/PG pin can serve as the second pulse input of the driver additionally to PWM input. The delay between EN/PG and the UGATE going high, provided that PWM input is also high, is only about 30ns. If the PWM input pulses are synchronized with EN/PG input, then when PWM and EN/PG are high, the UGATE is high and LGATE is low. If both PWM and EN/PG are low, then UGATE and LGATE are both low as well. This means the driver allows operation of a synchronous buck regulator as a conventional buck regulator using the body diode of the low side power MOSFET as the freewheeling diode. This feature can be useful in some specific applications to allow startup with a pre-biased output or, to improve the efficiency of buck regulator when in power saving mode with low output current.

7.3.4 3-State Input

As soon as the EN/PG pin is set high and input PWM pulses are initiated (see Note below). The dead-time control circuit ensures that there is no overlapping between UGATE and LGATE drive outputs to eliminate shoot

through current through the external power FETs. Additionally to operate under periodical pulse sequencing, the TPS28225-Q1 has a self-adjustable PWM 3-state input circuit. The 3-state circuit sets both gate drive outputs low, and thus turns the external power FETs OFF if the input signal is in a high impedance state for at least 250 ns typical. At this condition, the PWM input voltage level is defined by the internal 27-kΩ to 13-kΩ resistor divider shown in the block diagram. This resistor divider forces the input voltage to move into the 3-state window. Initially the 3-state window is set between 1.0-V and 2.0-V thresholds. The lower threshold of the 3-state window is always fixed at about 1.0 V. The higher threshold is adjusted to about 75% of the input signal amplitude. The self-adjustable upper threshold allows shorter delay if the input signal enters the 3-state window while the input signal was high, thus keeping the high-side power FET in ON state just slightly longer than 250 ns time constant set by an internal 3-state timer. Both modes of operation, PWM input pulse sequencing and the 3-state condition, are illustrated in the timing diagrams shown in Figure 6-1. The self-adjustable upper threshold allows operation in wide range amplitude of input PWM pulse signals. The waveforms in Figure 7-2 and Figure 7-3 illustrates the TPS28225-Q1 operation at normal and 3-state mode with the input pulse amplitudes 6 V and 2.5 V accordingly. After entering into the 3-state window and staying within the window for the hold-off time, the PWM input signal level is defined by the internal resistor divider and, depending on the input pulse amplitude, can be pulled up above the normal PWM pulse amplitude (Figure 7-3) or down below the normal input PWM pulse (Figure 7-2).

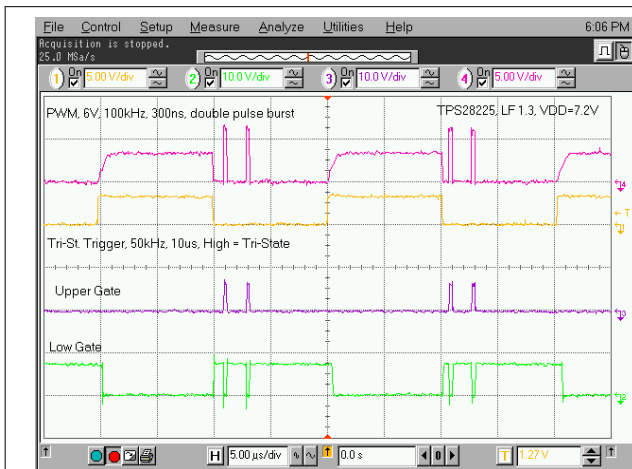


Figure 7-2. 6-V Amplitude PWM Pulse (TPS28225-Q1)

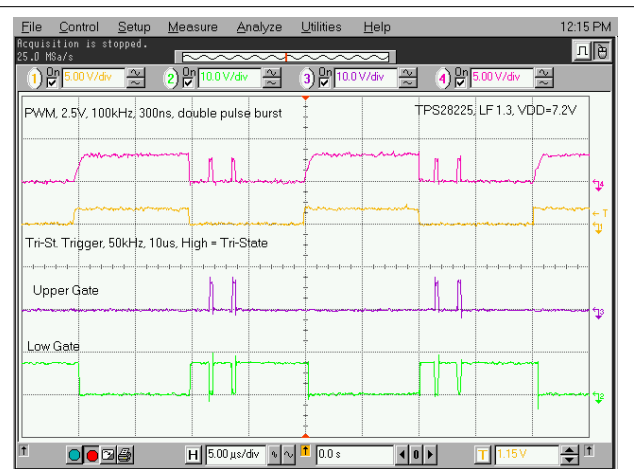


Figure 7-3. 2.5-V Amplitude PWM Pulse (TPS28225-Q1)

Note

The driver sets UGATE low and LGATE high when PWM is low. When the PWM goes high, UGATE goes high and LGATE goes low.

Note

Any external resistor between PWM input and GND with the value lower than 40 kΩ can interfere with the 3-state thresholds. If the driver is intended to operate in the 3-state mode, any resistor below 40 kΩ at the PWM and GND should be avoided. A resistor lower than 3.5 kΩ connected between the PWM and GND completely disables the 3-state function. In such case, the 3-state window shrinks to zero and the lower 3-state threshold becomes the boundary between the UGATE staying low and LGATE being high and vice versa depending on the PWM input signal applied. It is not necessary to use a resistor <3.5 kΩ to avoid the 3-state condition while using a controller that is 3-state capable. If the rise and fall time of the input PWM signal is shorter than 250 ns, then the driver never enter into the 3-state mode.

In the case where the low-side MOSFET of a buck converter stays on during shutdown, the 3-state feature can be fused to avoid negative resonant voltage across the output capacitor. This feature also can be used during start up with a pre-biased output in the case where pulling the output low during the startup is not allowed

due to system requirements. If the system controller does not have the 3-state feature and never goes into the high-impedance state, then setting the EN/PG signal low will keep both gate drive outputs low and turn both low- and high-side MOSFETs OFF during the shut down and start up with the pre-biased output.

The self-adjustable input circuit accepts wide range of input pulse amplitudes (2 V up to 13.2 V) allowing use of a variety of controllers with different outputs including logic level. The wide PWM input voltage allows some flexibility if the driver is used in secondary side synchronous rectifier circuit. The operation of the TPS28225-Q1 with a 12-V input PWM pulse amplitude, and with $V_{DD} = 7.2\text{ V}$ and $V_{DD} = 5\text{ V}$ respectively is shown in Figure 7-4 and Figure 7-5.



Figure 7-4. 12-V PWM Pulse at $V_{DD} = 7.2\text{ V}$

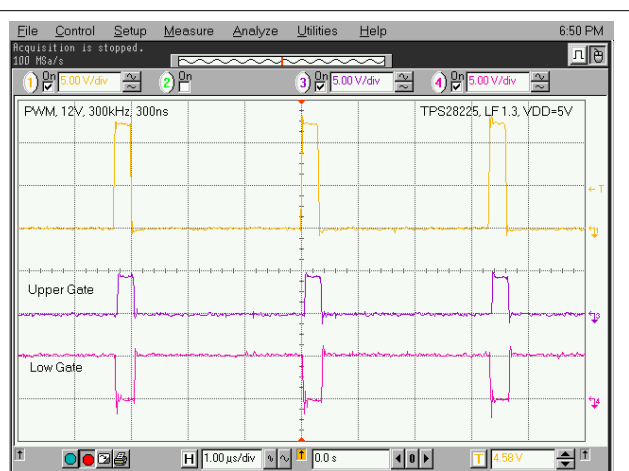


Figure 7-5. 12-V PWM Pulse at $V_{DD} = 5\text{ V}$

7.3.5 Bootstrap Diode

The bootstrap diode provides the supply voltage for the UGATE driver by charging the bootstrap capacitor connected between BOOT and PHASE pins from the input voltage V_{DD} when the low-side FET is in ON state. At the very initial stage when both power FETs are OFF, the bootstrap capacitor is precharged through this path including the PHASE pin, output inductor and large output capacitor down to GND. The forward voltage drop across the diode is only 1.0 V at bias current 100 mA. This allows quick charge restore of the bootstrap capacitor during the high-frequency operation.

7.3.6 Upper and Lower Gate Drivers

The upper and lower gate drivers charge and discharge the input capacitance of the power MOSFETs to allow operation at switching frequencies up to 2 MHz. The output stage consists of a P-channel MOSFET providing source output current and an N-channel MOSFET providing sink current through the output stage. The ON state resistances of these MOSFETs are optimized for the synchronous buck converter configuration working with low duty cycle at the nominal steady state condition. The UGATE output driver is capable of propagating PWM input pulses of less than 30-ns while still maintaining proper dead time to avoid any shoot through current conditions. The waveforms related to the narrow input PWM pulse operation are shown in Figure 7-5.

7.3.7 Dead-Time Control

The dead-time control circuit is critical for highest efficiency and no shoot through current operation throughout the whole duty cycle range with the different power MOSFETs. By sensing the output of driver going low, this circuit does not allow the gate drive output of another driver to go high until the first driver output falls below the specified threshold. This approach to control the dead time is called adaptive dead time. The overall dead time also includes the fixed portion to ensure that overlapping never exists. The typical dead time is around 14 ns, although it varies over the driver internal tolerances, layout and external MOSFET parasitic inductances. The proper dead time is maintained whenever the current through the output inductor of the power stage flows in the forward or reverse direction. Reverse current could happen in a buck configuration during the transients or while dynamically changing the output voltage on the fly, as some microprocessors require. Because the dead time does not depend on inductor current direction, this driver can be used both in buck and boost regulators or

in any bridge configuration where the power MOSFETs are switching in a complementary manner. Keeping the dead time at short optimal level boosts efficiency by 1% to 2% depending on the switching frequency.

Large non-optimal dead time can cause duty cycle modulation of the dc-to-dc converter during the operation point where the output inductor current changes its direction right before the turn ON of the high-side MOSFET. This modulation can interfere with the controller operation and it impacts the power stage frequency response transfer function. As the result, some output ripple increase can be observed. The TPS28225-Q1 driver is designed with the short adaptive dead time having fixed delay portion that eliminates risk of the effective duty cycle modulation at the described boundary condition.

7.3.8 Thermal Shutdown

If the junction temperature exceeds 160°C, the thermal shutdown circuit will pull both gate driver outputs low and thus turning both, low-side and high-side power FETs OFF. When the junction temperature of the driver cools down below 140°C after a thermal shutdown, then it resumes its normal operation and follows the PWM input and EN/PG signals from the external control circuit. While in thermal shutdown state, the internal MOSFET pulls the EN/PG pin low, thus setting a flag indicating the driver is not ready to continue normal operation. Normally the driver is located close to the MOSFETs, and this is usually the hottest spots on the PCB. Thus, the thermal shutdown feature of TPS28225-Q1 can be used as an additional protection for the whole system from overheating.

7.4 Device Functional Modes

Table 7-1 lists the conditions under which the LGATE and UGATE pins are asserted high or low with respect to the voltage level present at VDD, EN/PG, and PWM pins.

Table 7-1. Device State Table

PIN	V _{DD} RISING < 3.5 V OR T _J > 160°C	V _{DD} FALLING > 3 V AND T _J < 150°C			
		EN/PG RISING < 1.7 V	EN/PG FALLING > 1.0 V		
			PWM < 1 V	PWM > 1.5 V AND T _{RISE} /T _{FALL} < 200 ns	PWM SIGNAL SOURCE IMPEDANCE >40 kΩ FOR > 250 ns (3-STATE) ⁽¹⁾
LGATE	Low	Low	High	Low	Low
UGATE	Low	Low	Low	High	Low
EN/PG	Low				

(1) To exit the 3-state condition, the PWM signal should go low. One Low PWM input signal followed by one High PWM input signal is required before re-entering the 3-state condition.

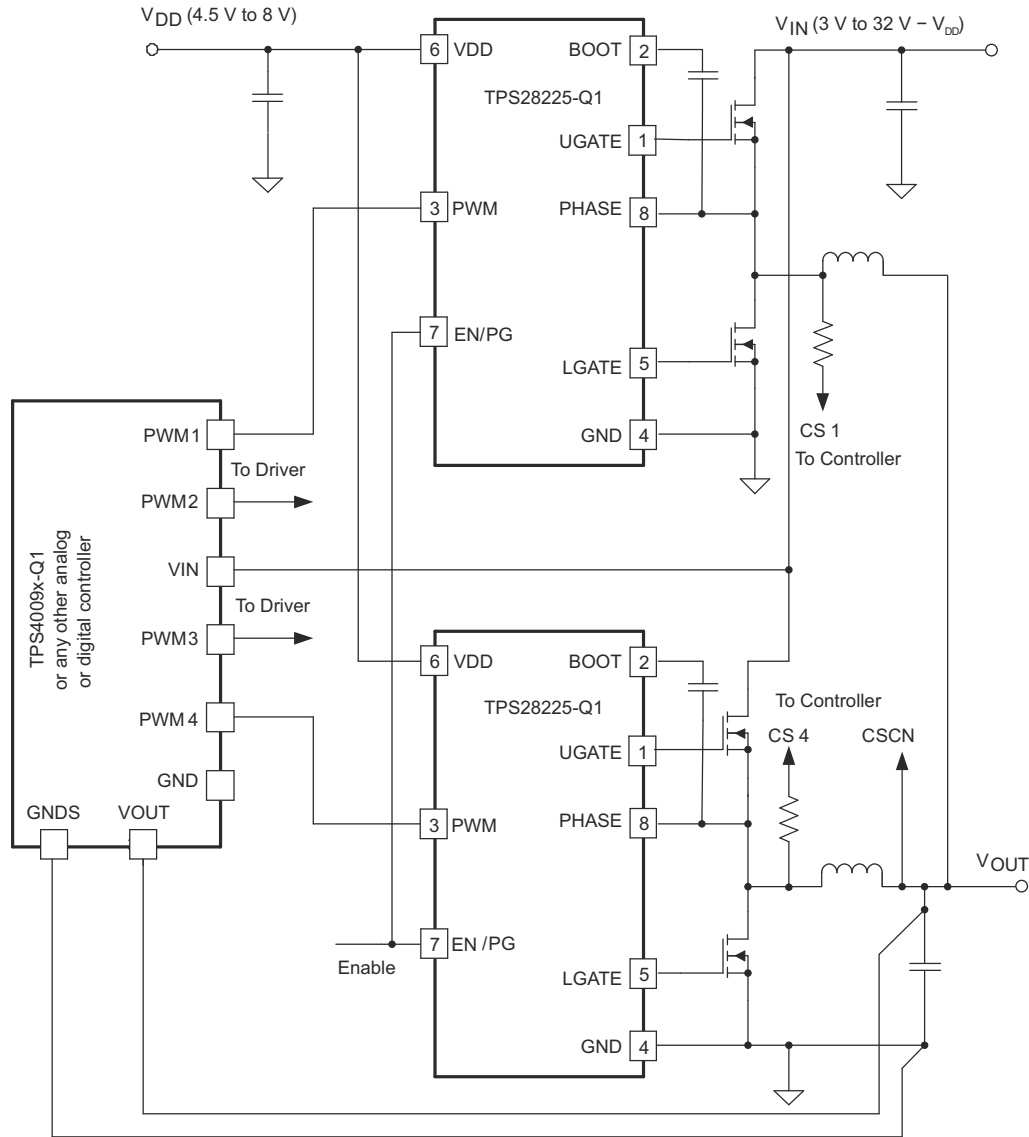
8 Application and Implementation

Note

Information in the following applications sections is not part of the TI component specification, and TI does not warrant its accuracy or completeness. TI's customers are responsible for determining suitability of components for their purposes, as well as validating and testing their design implementation to confirm system functionality.

8.1 Application Information

To effect fast switching of power devices and reduce associated switching power losses, a powerful MOSFET driver is employed between the PWM output of controllers and the gates of the power semiconductor devices. Also, MOSFET drivers are indispensable when it is impossible for the PWM controller to directly drive the MOSFETs of the switching devices. With the advent of digital power, this situation will be often encountered because the PWM signal from the digital controller is often a 3.3-V logic signal which cannot effectively turn on a power switch. Level shifting circuitry is needed to boost the 3.3-V signal to the gate-drive voltage (such as 12 V) in order to fully turn on the power device and minimize conduction losses. Traditional buffer drive circuits based on NPN/PNP bipolar transistors in totem-pole arrangement, being emitter follower configurations, prove inadequate with digital power because they lack level-shifting capability. MOSFET drivers effectively combine both the level-shifting and buffer-drive functions.



Copyright © 2016, Texas Instruments Incorporated

Figure 8-2. Multi-Phase Synchronous Buck Converter

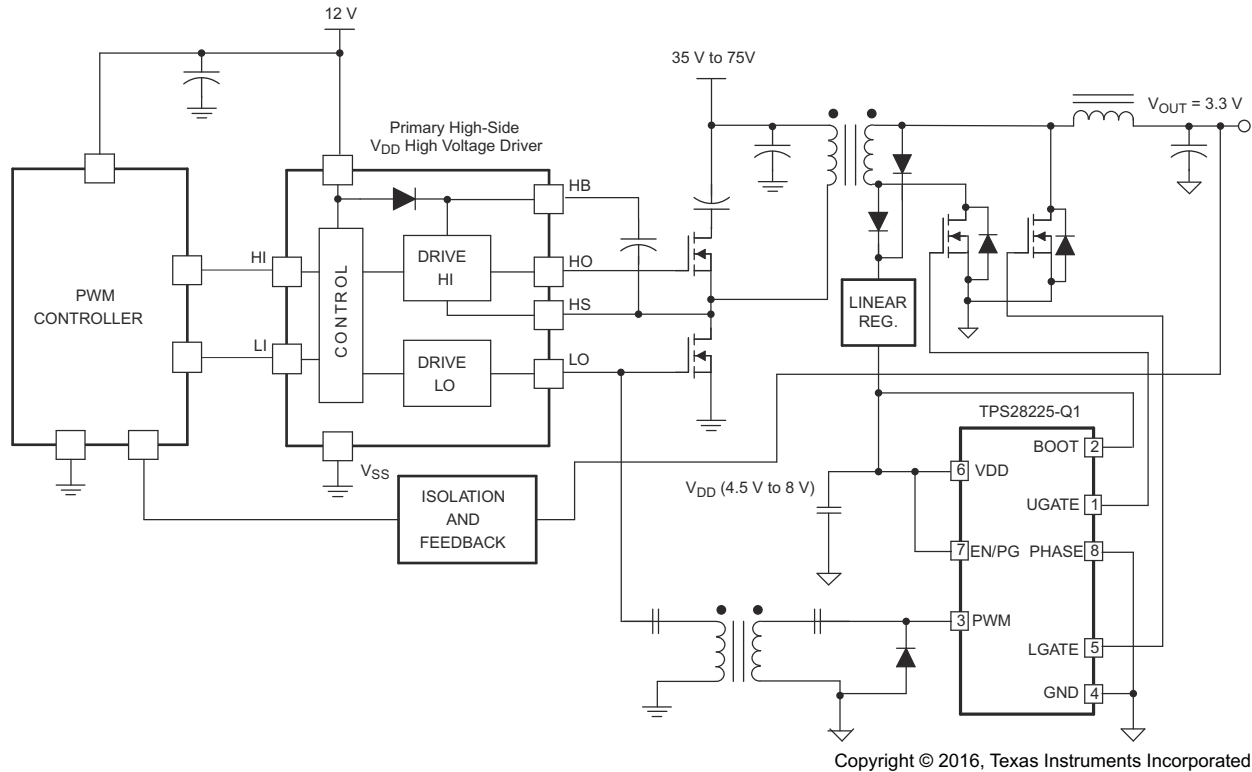


Figure 8-3. Driver for Synchronous Rectification with Complementary Driven MOSFETs

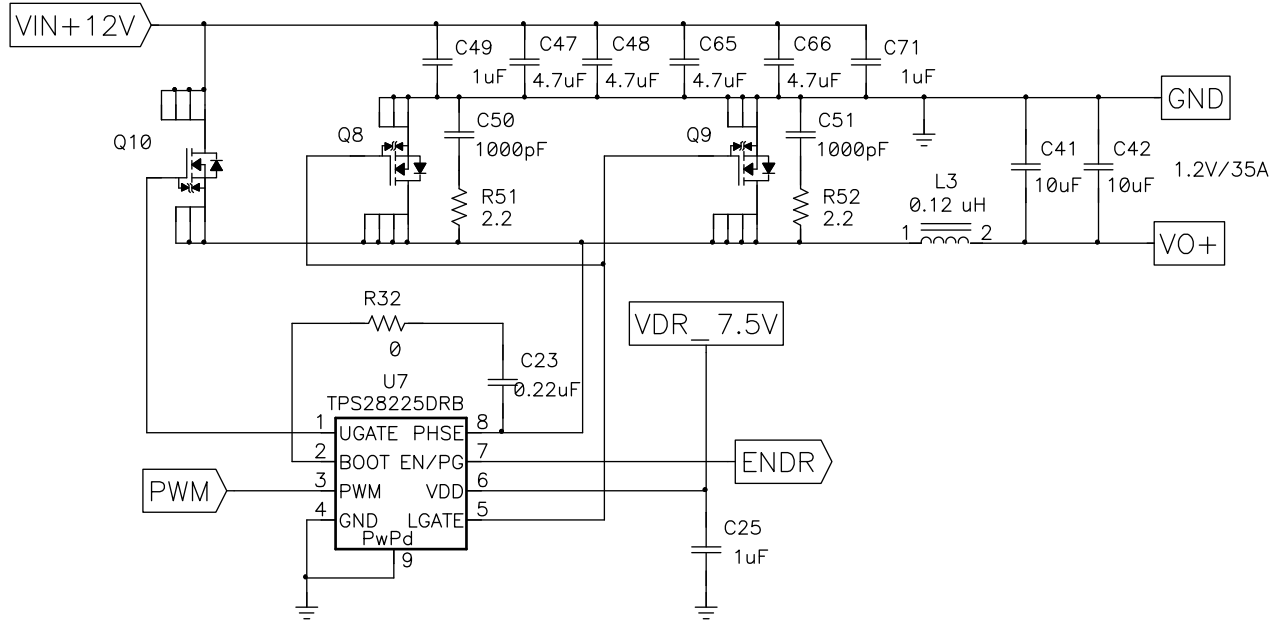
8.2.1 Design Requirements

The DC-DC converter in [Figure 8-4](#) displays the schematic of the TPS28225 in a multiphase high-current step-down power supply (only one phase is shown). This example schematic uses a single high-side MOSFET and two low-side MOSFETs the latter connected in parallel. The TPS28225 is controlled by multiphase buck DC/DC controller like TPS40090-Q1. As TPS28225 has internal shoot-through protection, only one PWM control signal is required for each channel.

The VRM example schematic is capable of driving 35 A per phase. In this example it has a nominal input voltage of 12 V within a tolerance range of $\pm 5\%$. The switching frequency is 500 kHz. The nominal duty cycle is 10%, therefore the low-side MOSFETs are conducting 90% of the time. By choosing lower $R_{DS(on)}$ the conduction losses of the switching elements are minimized. The TPS28225 is controlled by multiphase buck DC/DC controller like TPS40090-Q1.

Table 8-1. Design Parameters

DESIGN PARAMETER	VALUE
Supply Voltage	12 V \pm 5%
Output Voltage	0.83 V to 1.6 V
Frequency	500 kHz
Efficiency	87%
Peak-to-peak voltage on load current (0 A –90 A)	<160 mV



Copyright © 2016, Texas Instruments Incorporated

Additional information is available in *What MOSFET Driver Can Do to Boost the Performance of VRM Design*.

Figure 8-4. One of Four Phases Driven by TPS28225 Driver in 4-phase VRM Example Schematic for Efficiency Measurement

8.2.2 Detailed Design Procedure

The output component selection considers the requirement of a fast transient response. For output capacitors small capacitance values are chosen because of rapid changes of the output voltage. These changes also require an inductor with low inductance. Due to the small duty cycle the low-side MOSFETs conduct a long time. Two low-side MOSFETs are selected to increase both thermal performance and efficiency.

8.2.2.1 Switching the MOSFETs

Driving the MOSFETs efficiently at high switching frequencies requires special attention to layout and the reduction of parasitic inductances. Efforts must occur at the PCB layout level to keep the parasitic inductances as low as possible. [Figure 8-5](#) shows the main parasitic inductances and current flow during turning ON and OFF of the MOSFET by charging its C_{GS} gate capacitance.

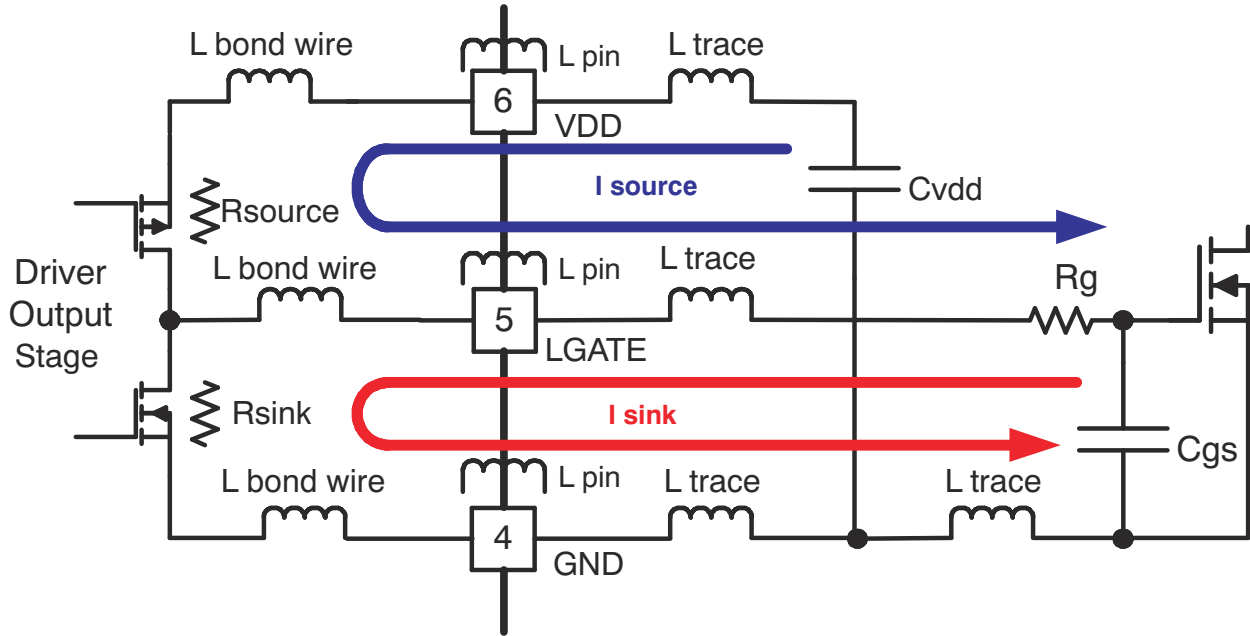


Figure 8-5. MOSFET Drive Paths and Main Circuit Parasitics

The I_{SOURCE} current charges the gate capacitor and the I_{SINK} current discharges it. The rise and fall time of voltage across the gate defines how quickly the MOSFET can be switched. The timing parameters specified in data sheet for both upper and lower driver are shown in [Figure 8-6](#) and [Figure 8-7](#) where 3-nF load capacitor has been used for the characterization data. Based on these actual measurements, the analytical curves in [Figure 8-6](#) and [Figure 8-7](#) show the output voltage and current of upper and low side drivers during the discharging of load capacitor. The left waveforms show the voltage and current as a function of time, while the right waveforms show the relation between the voltage and current during fast switching. These waveforms show the actual switching process and its limitations because of parasitic inductances. The static V_{OUT}/I_{OUT} curves shown in many data sheets and specifications for the MOSFET drivers do not replicate actual switching condition and provide limited information for the user.

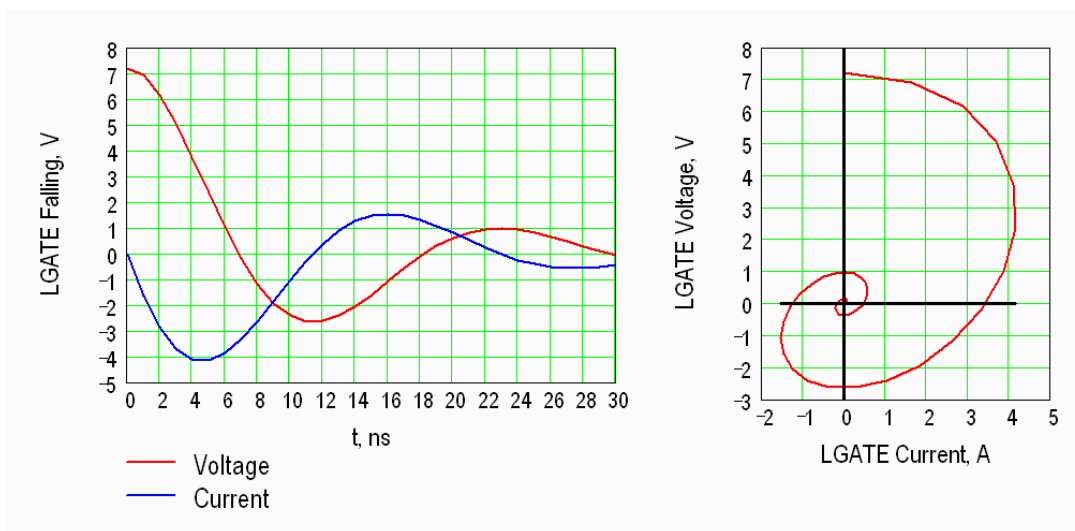


Figure 8-6. LGATE Turning Off Voltage and Sink Current vs Time (Related Switching Diagram [Right])

Turning Off of the MOSFET needs to be done as fast as possible to reduce switching losses. For this reason, the TPS28225-Q1 driver has very low output impedance specified as 0.4 Ω typ for lower driver and 1 Ω typ for upper driver at dc current. Assuming 8-V drive voltage and no parasitic inductances, one can expect an initial sink

current amplitude of 20 A and 8 A respectively for the lower and upper drivers. With pure R-C discharge circuit for the gate capacitor, the voltage and current waveforms are expected to be exponential. However, because of parasitic inductances, the actual waveforms have some ringing and the peak current for the lower driver is about 4 A and about 2.5 A for the upper driver (Figure 8-6 and Figure 8-7). The overall parasitic inductance for the lower drive path is estimated as 4 nH and for the upper drive path as 6 nH. The internal parasitic inductance of the driver, which includes inductances of bonded wires and package leads, can be estimated for SOIC-8 package as 2 nH for lower gate and 4 nH for the upper gate. Use of VSON-8 package reduces the internal parasitic inductances by approximately 50%.

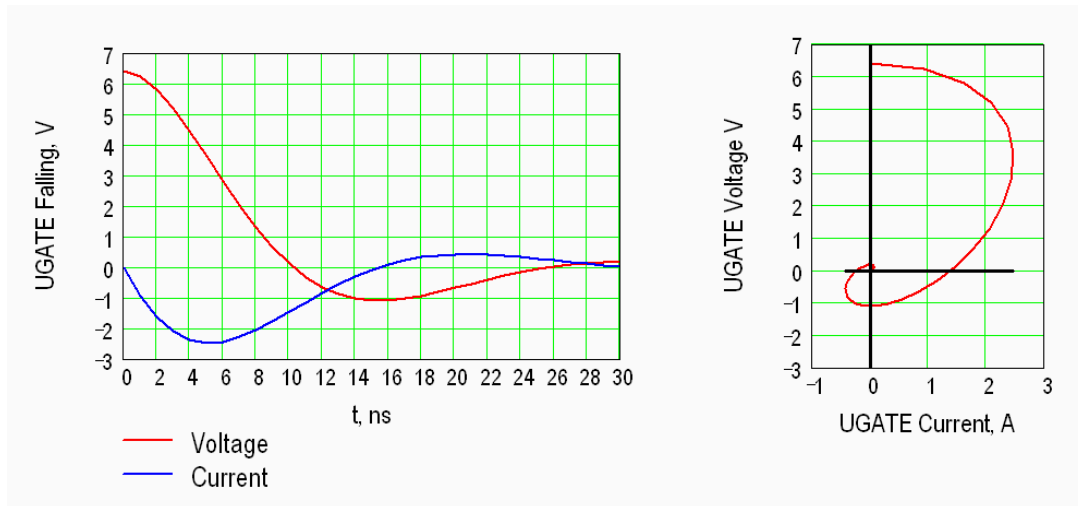


Figure 8-7. UGATE Turning Off Voltage and Sink Current vs Time (Related Switching Diagram [Right])

8.2.3 Application Curves

Example is the same for the TPS28225-Q1. The efficiency in this example was achieved using TPS28225 driver with 8-V drive at different switching frequencies as in Figure 8-4 is shown in Figure 8-8, Figure 8-9, Figure 8-10, Figure 8-11, and Figure 8-12.

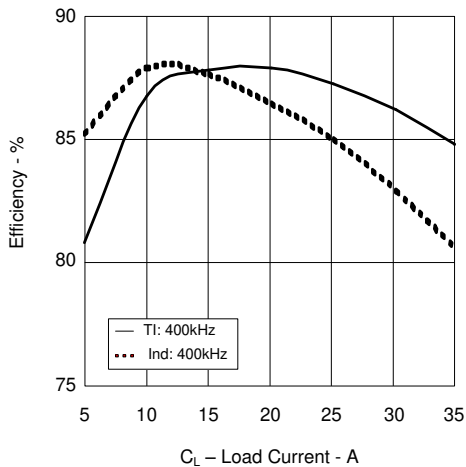


Figure 8-8. Efficiency vs Load Current

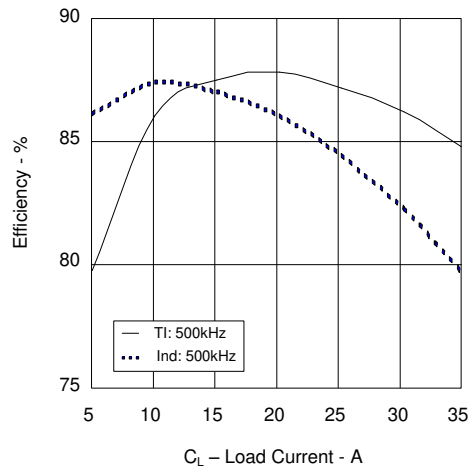


Figure 8-9. Efficiency vs Load Current

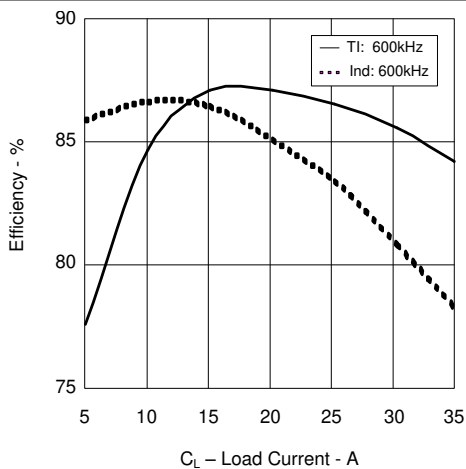


Figure 8-10. Efficiency vs Load Current

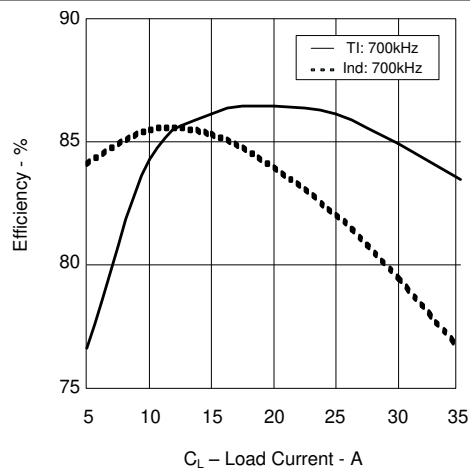


Figure 8-11. Efficiency vs Load Current

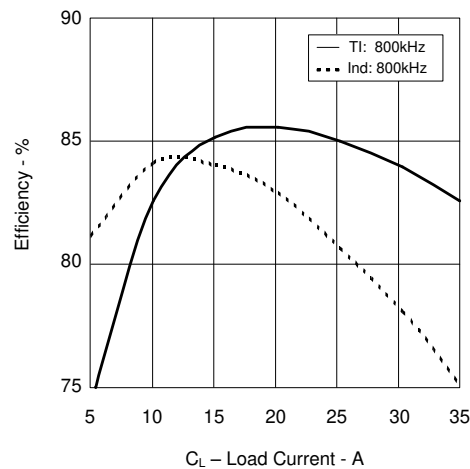


Figure 8-12. Efficiency vs Load Current

When using the same power stage in Figure 8-4, the driver with the optimal drive voltage and optimal dead time can boost efficiency up to 5%. The optimal 8-V drive voltage versus 5-V drive contributes 2% to 3% efficiency increase and the remaining 1% to 2% can be attributed to the reduced dead time. The 7-V to 8-V drive voltage is optimal for operation at switching frequency range above 400 kHz and can be illustrated by observing typical $R_{DS(on)}$ curves of modern FETs as a function of their gate drive voltage. This is shown in Figure 8-13.

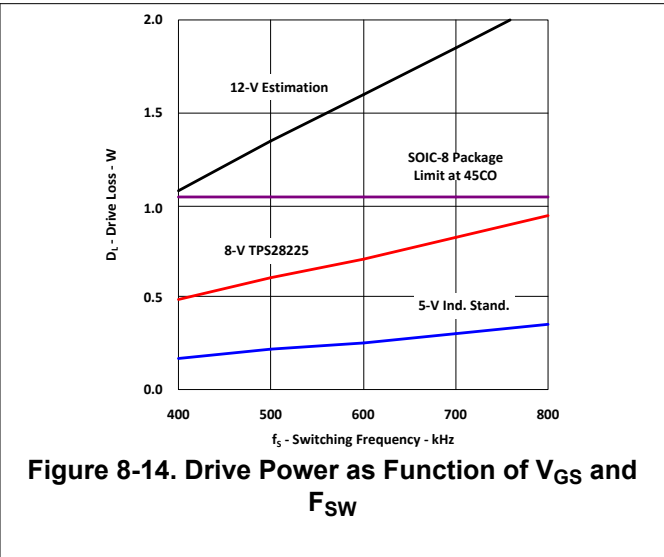
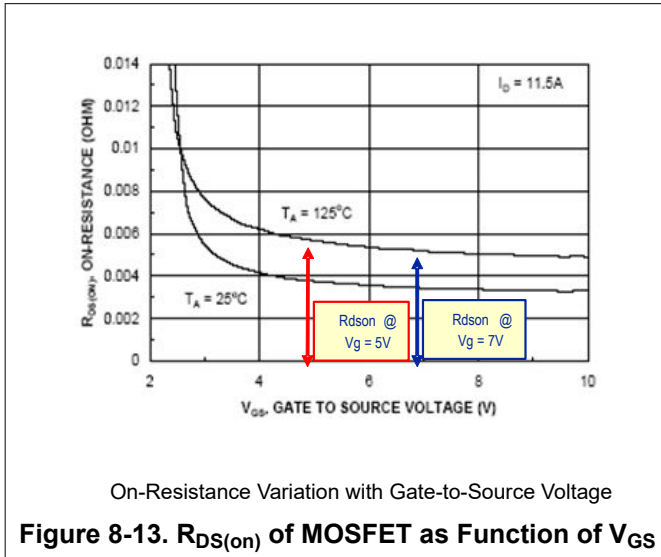


Figure 8-13 and Figure 8-14 show that the $R_{DS(on)}$ at 5-V drive is substantially larger than at 7 V and above that the $R_{DS(on)}$ curve is almost flat. This means that moving from 5-V drive to an 8-V drive boosts the efficiency because of lower $R_{DS(on)}$ of the MOSFETs at 8 V. Further increase of drive voltage from 8 V to 12 V only slightly decreases the conduction losses but the power dissipated inside the driver increases dramatically (by 125%). The power dissipated by the driver with 5-V, 8-V, and 12-V drive as a function of switching frequency from 400 kHz to 800 kHz. It should be noted that the 12-V driver exceeds the maximum dissipated power allowed for an SOIC-8 package even at 400-kHz switching frequency.

9 Power Supply Recommendations

The supply voltage range for operation is 4.5 to 8 V. The lower end of this range is governed by the under-voltage lockout thresholds. The UVLO disables the driver and keeps the power FETs OFF when V_{DD} is too low. A low ESR ceramic decoupling capacitor in the range of 0.22 μF to 4.7 μF between V_{DD} and GND is recommended.

10 Layout

10.1 Layout Guidelines

To improve the switching characteristics and efficiency of a design, the following layout rules need to be followed.

- Place the driver as close as possible to the MOSFETs.
- Place the V_{DD} and bootstrap capacitors as close as possible to the driver.
- Pay special attention to the GND trace. Use the thermal pad of the DFN-8 package as the GND by connecting it to the GND pin. The GND trace or pad from the driver goes directly to the source of the MOSFET but should not include the high current path of the main current flowing through the drain and source of the MOSFET.
- Use a similar rule for the PHASE node as for the GND.
- Use wide traces for UGATE and LGATE closely following the related PHASE and GND traces. Eighty to 100 mils width is preferable where possible.
- Use at least 2 or more vias if the MOSFET driving trace needs to be routed from one layer to another. For the GND the number of vias are determined not only by the parasitic inductance but also by the requirements for the thermal pad.
- Avoid PWM and enable traces going close to the PHASE node and pad where high dV/dT voltage can induce significant noise into the relatively high impedance leads.

It should be taken into account that poor layout can cause 3% to 5% less efficiency versus a good layout design and can even decrease the reliability of the whole system.

10.2 Layout Example

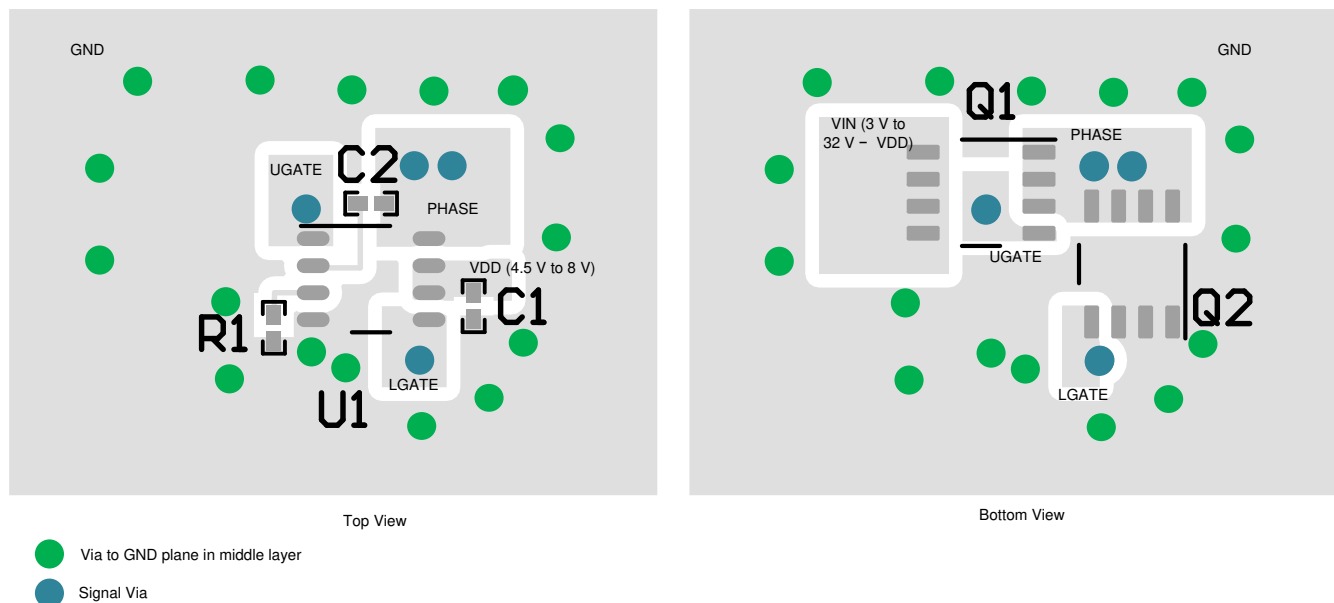


Figure 10-1. Layout Example Using TPS28225-Q1

11 Device and Documentation Support

11.1 Third-Party Products Disclaimer

TI'S PUBLICATION OF INFORMATION REGARDING THIRD-PARTY PRODUCTS OR SERVICES DOES NOT CONSTITUTE AN ENDORSEMENT REGARDING THE SUITABILITY OF SUCH PRODUCTS OR SERVICES OR A WARRANTY, REPRESENTATION OR ENDORSEMENT OF SUCH PRODUCTS OR SERVICES, EITHER ALONE OR IN COMBINATION WITH ANY TI PRODUCT OR SERVICE.

11.2 Documentation Support

11.2.1 Related Documentation

For related documentation see the following:

- [High-Frequency Multiphase Controller](#)
- *What MOSFET Driver Can Do to Boost the Performance of VRM Design*, Power Electronics Technology Exhibition and Conference (Miftakhutdinov 2006)

11.3 Receiving Notification of Documentation Updates

To receive notification of documentation updates, navigate to the device product folder on ti.com. In the upper right corner, click on *Alert me* to register and receive a weekly digest of any product information that has changed. For change details, review the revision history included in any revised document. section

11.4 Support Resources

TI E2E™ support forums are an engineer's go-to source for fast, verified answers and design help — straight from the experts. Search existing answers or ask your own question to get the quick design help you need.

Linked content is provided "AS IS" by the respective contributors. They do not constitute TI specifications and do not necessarily reflect TI's views; see TI's [Terms of Use](#).

11.5 Trademarks

TI E2E™ is a trademark of Texas Instruments.
All trademarks are the property of their respective owners.

11.6 Electrostatic Discharge Caution



This integrated circuit can be damaged by ESD. Texas Instruments recommends that all integrated circuits be handled with appropriate precautions. Failure to observe proper handling and installation procedures can cause damage.

ESD damage can range from subtle performance degradation to complete device failure. Precision integrated circuits may be more susceptible to damage because very small parametric changes could cause the device not to meet its published specifications.

11.7 Glossary

[TI Glossary](#) This glossary lists and explains terms, acronyms, and definitions.

12 Mechanical, Packaging, and Orderable Information

The following pages include mechanical, packaging, and orderable information. This information is the most current data available for the designated devices. This data is subject to change without notice and revision of this document. For browser-based versions of this data sheet, refer to the left-hand navigation.

PACKAGING INFORMATION

Orderable Device	Status (1)	Package Type	Package Drawing	Pins	Package Qty	Eco Plan (2)	Lead finish/ Ball material (6)	MSL Peak Temp (3)	Op Temp (°C)	Device Marking (4/5)	Samples
TPS28225TDRBRQ1	ACTIVE	SON	DRB	8	3000	RoHS & Green	NIPDAU	Level-3-260C-168 HR	-40 to 105	PXND	Samples
TPS28225TDRQ1	ACTIVE	SOIC	D	8	2500	RoHS & Green	NIPDAU	Level-3-260C-168 HR	-40 to 105	28225T	Samples

(1) The marketing status values are defined as follows:

ACTIVE: Product device recommended for new designs.

LIFEBUY: TI has announced that the device will be discontinued, and a lifetime-buy period is in effect.

NRND: Not recommended for new designs. Device is in production to support existing customers, but TI does not recommend using this part in a new design.

PREVIEW: Device has been announced but is not in production. Samples may or may not be available.

OBSOLETE: TI has discontinued the production of the device.

(2) **RoHS:** TI defines "RoHS" to mean semiconductor products that are compliant with the current EU RoHS requirements for all 10 RoHS substances, including the requirement that RoHS substance do not exceed 0.1% by weight in homogeneous materials. Where designed to be soldered at high temperatures, "RoHS" products are suitable for use in specified lead-free processes. TI may reference these types of products as "Pb-Free".

RoHS Exempt: TI defines "RoHS Exempt" to mean products that contain lead but are compliant with EU RoHS pursuant to a specific EU RoHS exemption.

Green: TI defines "Green" to mean the content of Chlorine (Cl) and Bromine (Br) based flame retardants meet JS709B low halogen requirements of <=1000ppm threshold. Antimony trioxide based flame retardants must also meet the <=1000ppm threshold requirement.

(3) MSL, Peak Temp. - The Moisture Sensitivity Level rating according to the JEDEC industry standard classifications, and peak solder temperature.

(4) There may be additional marking, which relates to the logo, the lot trace code information, or the environmental category on the device.

(5) Multiple Device Markings will be inside parentheses. Only one Device Marking contained in parentheses and separated by a "~" will appear on a device. If a line is indented then it is a continuation of the previous line and the two combined represent the entire Device Marking for that device.

(6) Lead finish/Ball material - Orderable Devices may have multiple material finish options. Finish options are separated by a vertical ruled line. Lead finish/Ball material values may wrap to two lines if the finish value exceeds the maximum column width.

Important Information and Disclaimer:The information provided on this page represents TI's knowledge and belief as of the date that it is provided. TI bases its knowledge and belief on information provided by third parties, and makes no representation or warranty as to the accuracy of such information. Efforts are underway to better integrate information from third parties. TI has taken and continues to take reasonable steps to provide representative and accurate information but may not have conducted destructive testing or chemical analysis on incoming materials and chemicals. TI and TI suppliers consider certain information to be proprietary, and thus CAS numbers and other limited information may not be available for release.

In no event shall TI's liability arising out of such information exceed the total purchase price of the TI part(s) at issue in this document sold by TI to Customer on an annual basis.

OTHER QUALIFIED VERSIONS OF TPS28225-Q1 :

- Catalog : [TPS28225](#)

NOTE: Qualified Version Definitions:

- Catalog - TI's standard catalog product

TAPE AND REEL INFORMATION

QUADRANT ASSIGNMENTS FOR PIN 1 ORIENTATION IN TAPE


*All dimensions are nominal

Device	Package Type	Package Drawing	Pins	SPQ	Reel Diameter (mm)	Reel Width W1 (mm)	A0 (mm)	B0 (mm)	K0 (mm)	P1 (mm)	W (mm)	Pin1 Quadrant
TPS28225TDRBRQ1	SON	DRB	8	3000	330.0	12.4	3.3	3.3	1.1	8.0	12.0	Q2

TAPE AND REEL BOX DIMENSIONS


*All dimensions are nominal

Device	Package Type	Package Drawing	Pins	SPQ	Length (mm)	Width (mm)	Height (mm)
TPS28225TDRBRQ1	SON	DRB	8	3000	367.0	367.0	35.0

DRB 8

GENERIC PACKAGE VIEW

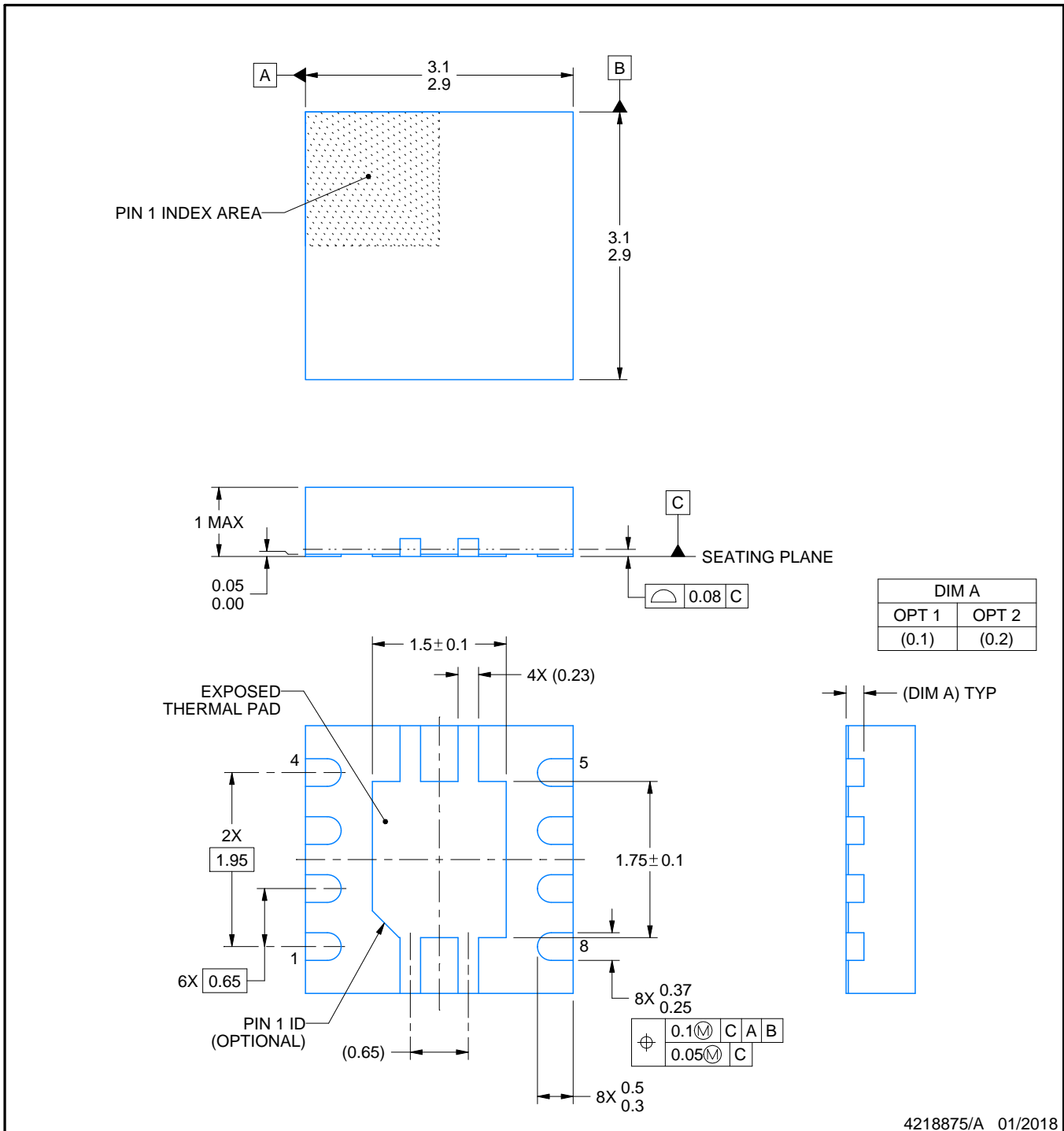
VSON - 1 mm max height

PLASTIC SMALL OUTLINE - NO LEAD



Images above are just a representation of the package family, actual package may vary.
Refer to the product data sheet for package details.

4203482/L



4218875/A 01/2018

NOTES:

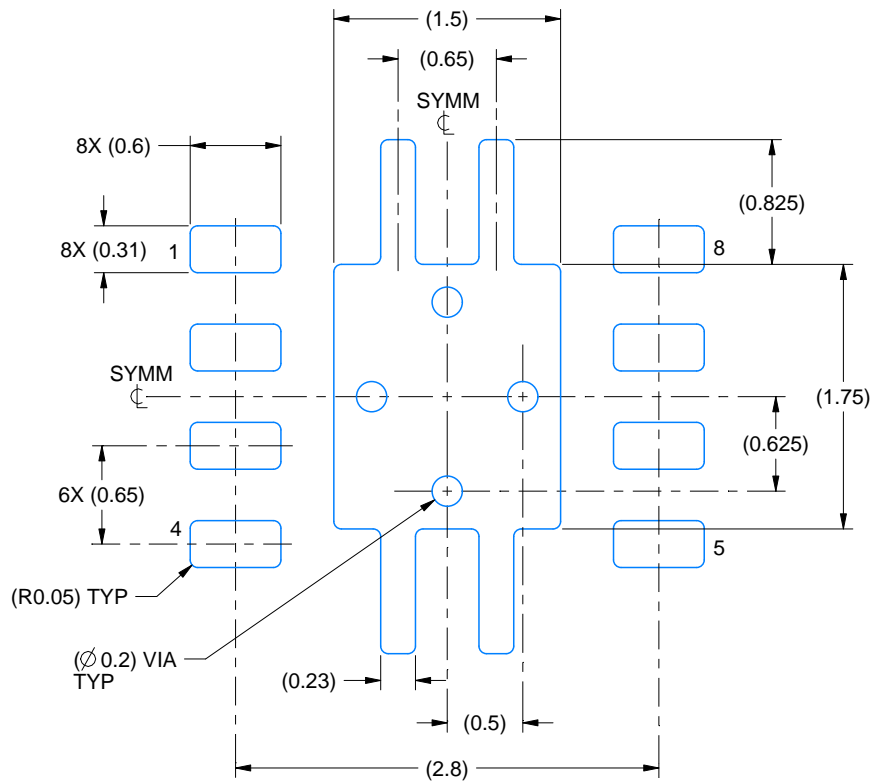
1. All linear dimensions are in millimeters. Any dimensions in parenthesis are for reference only. Dimensioning and tolerancing per ASME Y14.5M.
2. This drawing is subject to change without notice.
3. The package thermal pad must be soldered to the printed circuit board for thermal and mechanical performance.

EXAMPLE BOARD LAYOUT

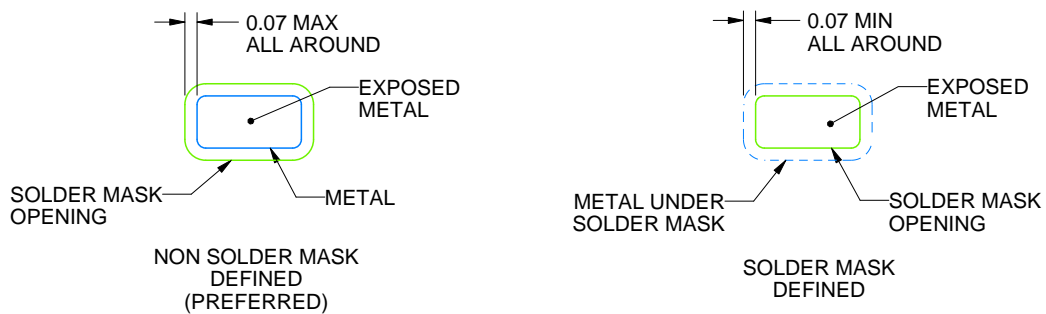
DRB0008A

VSON - 1 mm max height

PLASTIC SMALL OUTLINE - NO LEAD



LAND PATTERN EXAMPLE
EXPOSED METAL SHOWN
SCALE:20X



SOLDER MASK DETAILS

4218875/A 01/2018

NOTES: (continued)

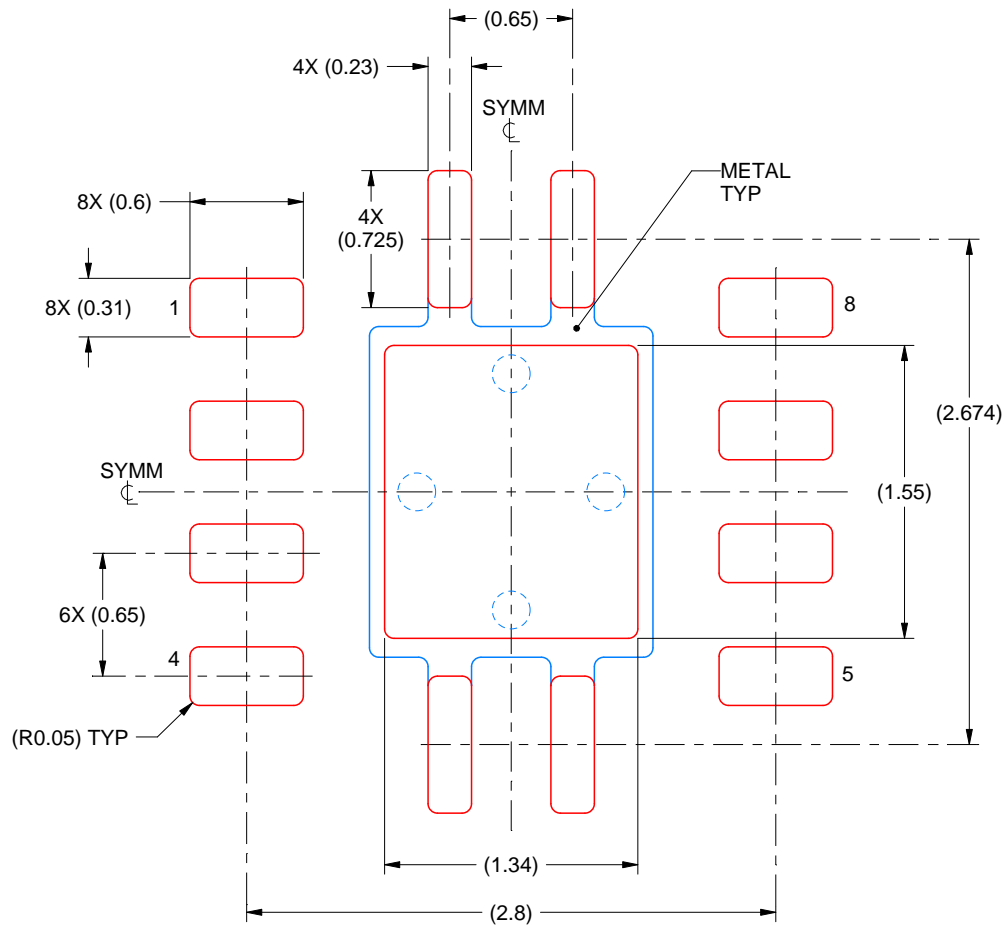
4. This package is designed to be soldered to a thermal pad on the board. For more information, see Texas Instruments literature number SLUA271 (www.ti.com/lit/sluea271).
5. Vias are optional depending on application, refer to device data sheet. If any vias are implemented, refer to their locations shown on this view. It is recommended that vias under paste be filled, plugged or tented.

EXAMPLE STENCIL DESIGN

DRB0008A

VSON - 1 mm max height

PLASTIC SMALL OUTLINE - NO LEAD



SOLDER PASTE EXAMPLE
BASED ON 0.125 mm THICK STENCIL

EXPOSED PAD
84% PRINTED SOLDER COVERAGE BY AREA
SCALE:25X

4218875/A 01/2018

NOTES: (continued)

6. Laser cutting apertures with trapezoidal walls and rounded corners may offer better paste release. IPC-7525 may have alternate design recommendations.

EXAMPLE BOARD LAYOUT

D0008A

SOIC - 1.75 mm max height

SMALL OUTLINE INTEGRATED CIRCUIT



LAND PATTERN EXAMPLE
 EXPOSED METAL SHOWN
 SCALE:8X



SOLDER MASK DETAILS

4214825/C 02/2019

NOTES: (continued)

- 6. Publication IPC-7351 may have alternate designs.
- 7. Solder mask tolerances between and around signal pads can vary based on board fabrication site.

EXAMPLE STENCIL DESIGN

D0008A

SOIC - 1.75 mm max height

SMALL OUTLINE INTEGRATED CIRCUIT



SOLDER PASTE EXAMPLE
BASED ON .005 INCH [0.125 MM] THICK STENCIL
SCALE:8X

4214825/C 02/2019

NOTES: (continued)

8. Laser cutting apertures with trapezoidal walls and rounded corners may offer better paste release. IPC-7525 may have alternate design recommendations.
9. Board assembly site may have different recommendations for stencil design.

IMPORTANT NOTICE AND DISCLAIMER

TI PROVIDES TECHNICAL AND RELIABILITY DATA (INCLUDING DATA SHEETS), DESIGN RESOURCES (INCLUDING REFERENCE DESIGNS), APPLICATION OR OTHER DESIGN ADVICE, WEB TOOLS, SAFETY INFORMATION, AND OTHER RESOURCES "AS IS" AND WITH ALL FAULTS, AND DISCLAIMS ALL WARRANTIES, EXPRESS AND IMPLIED, INCLUDING WITHOUT LIMITATION ANY IMPLIED WARRANTIES OF MERCHANTABILITY, FITNESS FOR A PARTICULAR PURPOSE OR NON-INFRINGEMENT OF THIRD PARTY INTELLECTUAL PROPERTY RIGHTS.

These resources are intended for skilled developers designing with TI products. You are solely responsible for (1) selecting the appropriate TI products for your application, (2) designing, validating and testing your application, and (3) ensuring your application meets applicable standards, and any other safety, security, regulatory or other requirements.

These resources are subject to change without notice. TI grants you permission to use these resources only for development of an application that uses the TI products described in the resource. Other reproduction and display of these resources is prohibited. No license is granted to any other TI intellectual property right or to any third party intellectual property right. TI disclaims responsibility for, and you will fully indemnify TI and its representatives against, any claims, damages, costs, losses, and liabilities arising out of your use of these resources.

TI's products are provided subject to [TI's Terms of Sale](#) or other applicable terms available either on ti.com or provided in conjunction with such TI products. TI's provision of these resources does not expand or otherwise alter TI's applicable warranties or warranty disclaimers for TI products.

TI objects to and rejects any additional or different terms you may have proposed.

Mailing Address: Texas Instruments, Post Office Box 655303, Dallas, Texas 75265
Copyright © 2021, Texas Instruments Incorporated