



TWO-PHASE, SYNCHRONOUS BUCK CONTROLLER WITH INTEGRATED MOSFET DRIVERS

FEATURES

- Two-Phase Interleaved Operation
- 3-V to 40-V Power Stage Operation Range
- Supports Up to 6-V V_{OUT} With External Divider
- Requires V_{IN5} @ 50 mA, Typical, Depending on External MOSFETs and Switching Frequency
- 1- μ A Shutdown Current
- Programmable Switching Frequency up to 1 MHz/Phase
- Current Mode Control with Forced Current Sharing
- Better than 1% Internal 0.7-V Reference
- Resistive Divider Sets Direct Output Over Voltage Threshold and Sets Input Undervoltage Lockout
- True Remote Sensing Differential Amplifier
- Resistive or Inductor's DCR Current Sensing
- 30-pin TSSOP or 32-Pin QFN Packages
- Can Be Used with TPS40120 to Provide a 6-Bit Digitally Controlled Output

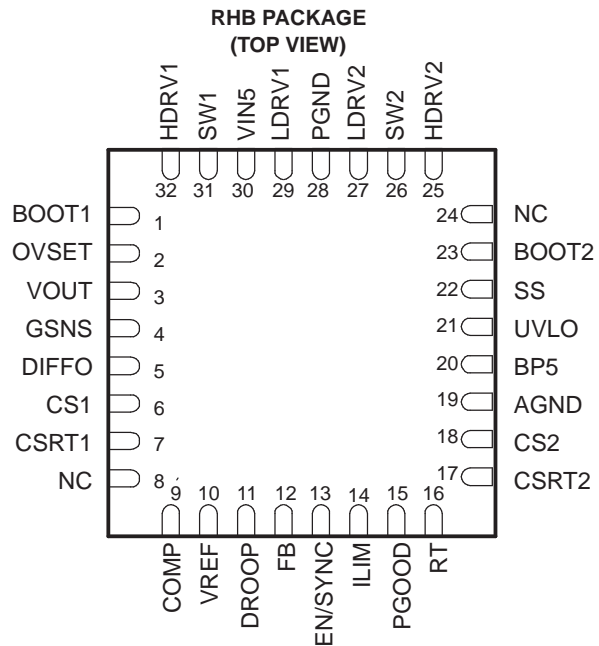
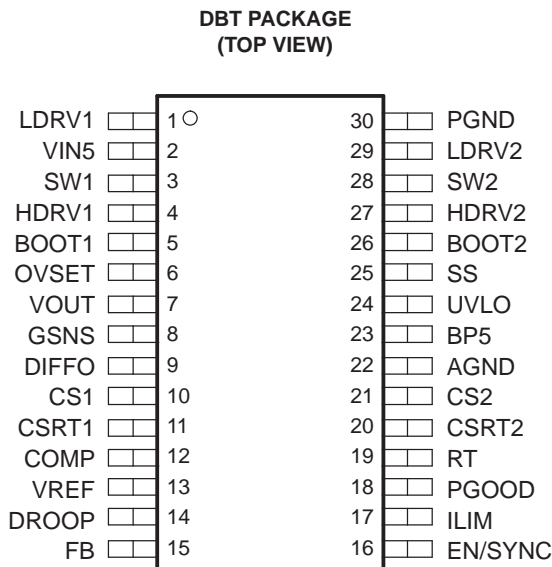
APPLICATIONS

- Graphic Cards
- Internet Servers
- Networking Equipment
- Telecommunications Equipment
- DC Power Distributed Systems

DESCRIPTION

The TPS40130 is a two-phase synchronous buck controller that is optimized for low-output voltage, high-output current applications powered from a supply between 3 V and 40 V. A multi-phase converter offers several advantages over a single power stage including lower current ripple on the input and output capacitors, faster transient response to load steps, improved power handling capabilities, and higher system efficiency.

Each phase can be operated at a switching frequency up to 1 MHz, resulting in an effective ripple frequency of up to 2 MHz at the input and the output. The two phases operates 180 degrees out-of-phase.

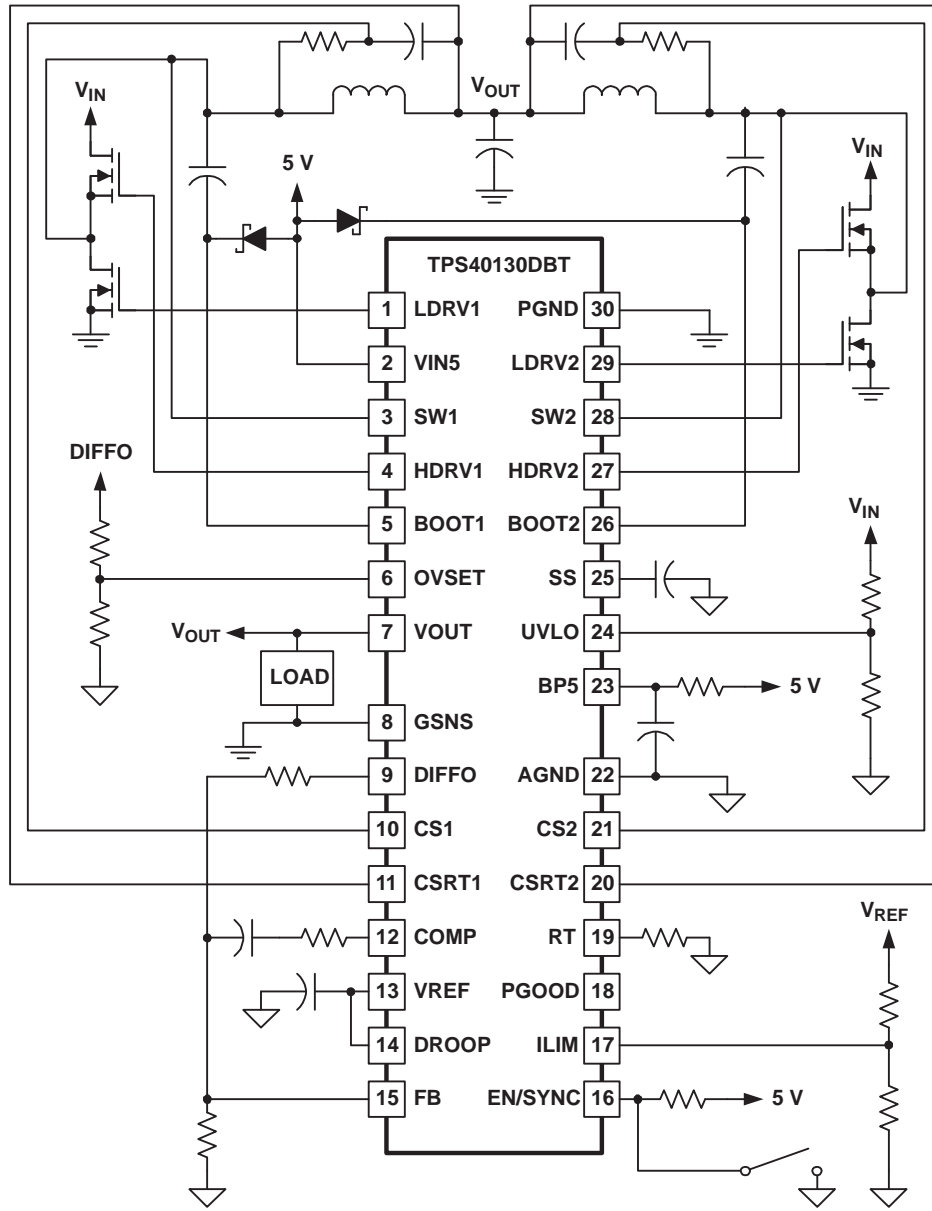


Please be aware that an important notice concerning availability, standard warranty, and use in critical applications of Texas Instruments semiconductor products and disclaimers thereto appears at the end of this data sheet.



These devices have limited built-in ESD protection. The leads should be shorted together or the device placed in conductive foam during storage or handling to prevent electrostatic damage to the MOS gates.

SIMPLIFIED APPLICATION DIAGRAM



UDG-04017

ORDERING INFORMATION

| T_A | PACKAGE | PART NUMBER |
|---------------|-----------------------------------|-------------------------------|
| -40°C to 85°C | Plastic TSSOP(DBT) ⁽¹⁾ | TPS40130DBT ⁽²⁾⁽³⁾ |
| | Plastic QFN (RHB) | TPS40130RHB |

- (1) The DBTpackage is also available taped and reeled. Add an R suffix to the device type (i.e., TPS40130DBTR).
- (2) The TPS40130DBTRG4 is a lead (Pb) free product, which means that it is compatible with current RoHS requirements for all 6 substances, including the requirement that lead not exceed 0.1% by weight in homogeneous material. In addition, this part has NiPdAu plated copper lead frame and is rated at MSL level 2 at 260°C according to JEDEC 020C Standards.
- (3) Release date for the TPS40130DBTRG4 TBD.

ABSOLUTE MAXIMUM RATING

 over operating free-air temperature range unless otherwise noted⁽¹⁾

| | | TPS40130 | UNITS |
|---------------------|--|------------------------|-------|
| Input voltage range | SW1, SW2 | -1 to 44 | V |
| | BOOT1, BOOT2 | -0.3 to $V_{SW} + 6.0$ | |
| | All other pins | -0.3 to 6.0 | |
| Sourcing current | RT | 200 | μA |
| T_J | Operating junction temperature range | -40 to 125 | °C |
| T_{stg} | Storage temperature | -55 to 150 | °C |
| | Lead temperature 1,6 mm (1/16 inch) from case for 10 seconds | 260 | °C |

- (1) Stresses beyond those listed under "absolute maximum ratings" may cause permanent damage to the device. These are stress ratings only, and functional operation of the device at these or any other conditions beyond those indicated under "recommended operating conditions" is not implied. Exposure to absolute-maximum-rated conditions for extended periods may affect device reliability.

RECOMMENDED OPERATING CONDITIONS

| | | MIN | NOM | MAX | UNIT |
|----------|--------------------------------|-----|-----|-----|------|
| V_{IN} | Input voltage | 3.0 | | 40 | V |
| T_A | Operating free-air temperature | -40 | | 85 | °C |

ELECTRICAL CHARACTERISTICS

$T_A = -40^{\circ}\text{C}$ to 85°C , $V_{IN} = 12\text{ V}$, $R_{RT} = 64.9\text{ k}\Omega$, $T_J = T_A$ (unless otherwise noted)

| PARAMETER | | TEST CONDITIONS | MIN | TYP | MAX | UNIT |
|-----------------------------------|--|--|-------|-------------|-------|---------------|
| VIN5 INPUT SUPPLY | | | | | | |
| V_{IN} | Operating voltage range, VIN5 | | 4.5 | 5.0 | 5.5 | V |
| I_{IN} | Shutdown current, VIN5 | EN/SYNC = GND | | 1 | 5 | μA |
| | Operating current | Outputs switching, No load | 0.5 | 1.0 | 1.5 | mA |
| BP5 INPUT SUPPLY | | | | | | |
| | Operating voltage range | | 4.3 | 5.0 | 5.5 | V |
| I_{BP5} | Operating current | $V_{FB} < V_{REF}$, Outputs switching, no external FETs | 2 | 3 | 5 | mA |
| | Turn-on BP5 rising | | 4.00 | 4.25 | 4.45 | V |
| | Turn-off hysteresis ⁽¹⁾ | | | 150 | | mV |
| OSCILLATOR/SYNCHRONIZATION | | | | | | |
| | Phase frequency accuracy | $R_T = 64.9\text{ k}\Omega$ | 360 | 415 | 455 | kHz |
| | Phase frequency set range ⁽¹⁾ | | 100 | | 1200 | |
| | Synchronization frequency range ⁽¹⁾ | | 800 | | 9600 | |
| | Synchronization input threshold ⁽¹⁾ | | | $V_{BP5}/2$ | | V |
| EN/SYNC | | | | | | |
| | Enable threshold | Pulse width > 50 ns | 0.8 | 1.0 | 1.5 | V |
| | Voltage capability ⁽¹⁾ | | | V_{BP5} | | |
| PWM | | | | | | |
| | Maximum duty cycle per channel ⁽¹⁾ | | | 87.5% | | |
| | Minimum duty cycle per channel ⁽¹⁾ | | | 0 | | |
| VREF | | | | | | |
| | Voltage reference | $I_{LOAD} = 100\text{ }\mu\text{A}$ | 0.687 | 0.700 | 0.709 | V |
| ERROR AMPLIFIER | | | | | | |
| V_{FB} | Voltage feedback, trimmed (including differential amplifier) | | 0.691 | 0.700 | 0.705 | V |
| CMRR | Input common mode range ⁽¹⁾ | | 0.0 | 0.7 | 2.0 | |
| | Input bias current | $V_{FB} = 0.7\text{ V}$ | | 55 | 150 | nA |
| | Input offset voltage | Value trimmed to zero | | 0 | | V |
| I_{SRC} | Output source current ⁽¹⁾ | $V_{COMP} = 1.1\text{ V}$, $V_{FB} = 0.6\text{ V}$ | 1 | 2 | | mA |
| I_{SINK} | Output sink current ⁽¹⁾ | $V_{COMP} = 1.1\text{ V}$, $V_{FB} = V_{BP5}$ | 1 | 2 | | |
| V_{OH} | High-level output voltage | $I_{COMP} = -1\text{ mA}$ | 2.5 | 2.9 | | V |
| V_{OL} | low-level output voltage | $I_{COMP} = 1\text{ mA}$ | | 0.5 | 0.8 | |
| G_{BW} | Gain bandwidth ⁽¹⁾ | | 3 | 5 | | MHz |
| A_{VOL} | Open loop gain ⁽¹⁾ | | 60 | 90 | | dB |

(1) Ensured by design. Not production tested.

ELECTRICAL CHARACTERISTICS (continued)

$T_A = -40^{\circ}\text{C}$ to 85°C , $V_{IN} = 12\text{ V}$, $R_{RT} = 64.9\text{ k}\Omega$, $T_J = T_A$ (unless otherwise noted)

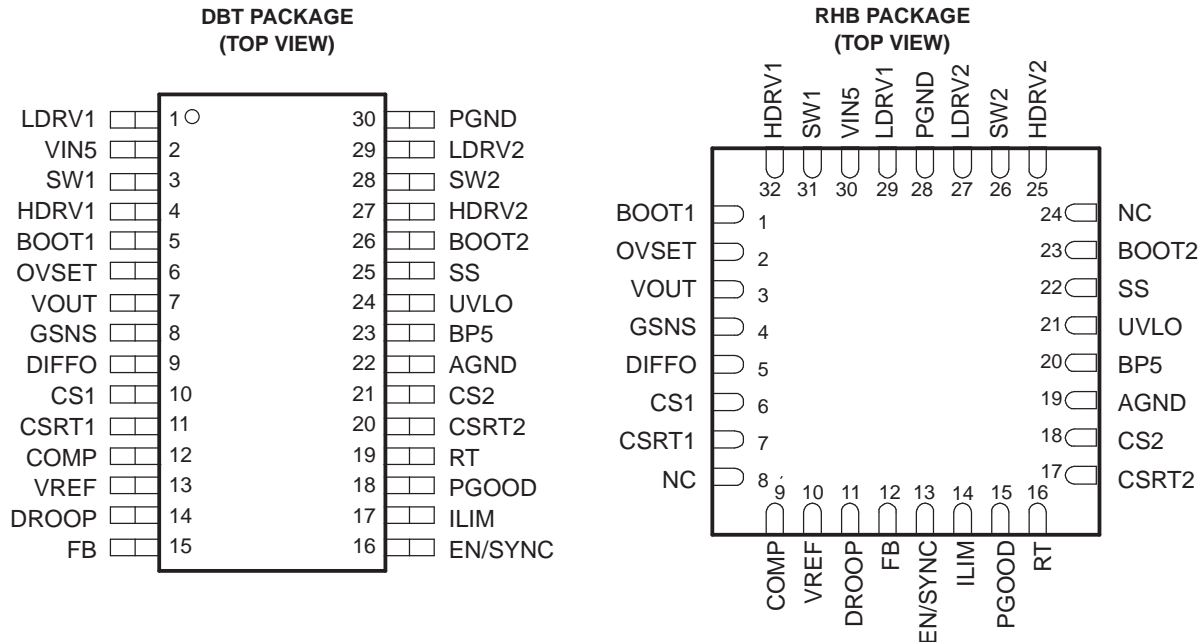
| PARAMETER | | TEST CONDITIONS | MIN | TYP | MAX | UNIT |
|----------------------------------|---|--|-------|------|-----------------|---------------|
| SOFT START | | | | | | |
| I_{SS} | Soft-start source current | 32 clocks after EN/SYNC before SS current begins | 3.5 | 5.0 | 6.5 | μA |
| V_{SS} | Fault enable threshold voltage | | 0.95 | 1.00 | 1.05 | V |
| CURRENT SENSE AMPLIFIER | | | | | | |
| | Input offset voltage | CS1, CS2 | -5 | 4 | 10 | mV |
| | Gain transfer to PWM comparator | $-100\text{ mV} \leq V_{CS} \leq 100\text{ mV}$, $V_{CSRT} = 1.5\text{ V}$ | 5.1 | 5.6 | 6.1 | V/V |
| | Transconductance to DROOP | $V_{CS} - V_{CSRTn} = 100\text{ mV}$ | | 40 | | μA |
| | Gain variance between phases | $V_{CS} - V_{CSRTn} = 100\text{ mV}$ | -4% | 0 | 4% | |
| | Input offset variance | $V_{CS} = 0\text{ V}$ | -3.5 | 0 | 3.5 | mV |
| | Offset current at DROOP | $V_{CS} - V_{CSRTn} = 0\text{ V}$ | | | 6 | μA |
| | Input common mode ⁽²⁾ | | 0 | | $V_{BP5} - 0.7$ | V |
| | Bandwidth ⁽²⁾ | | 18 | | | MHz |
| DIFFERENTIAL AMPLIFIER | | | | | | |
| | Gain | | | 1 | | V/V |
| | Gain tolerance | $V_{OUT} = 4\text{ V}$ vs $V_{OUT} = 0.7\text{ V}$, $V_{GSNS} = 0\text{ V}$ | -0.5% | | 0.5% | |
| CMRR | Common mode rejection ratio ⁽²⁾ | $0.7\text{ V} \leq V_{OUT} \leq 4.0\text{ V}$ | 60 | | | dB |
| | Output source current | $V_{OUT} - V_{GSNS} = 2.0\text{ V}$, $V_{DIFFO} \geq 1.98\text{ V}$ | 2 | 4 | | mA |
| | Output sink current | $V_{OUT} - V_{GSNS} = 2.0\text{ V}$, $V_{DIFFO} \geq 2.02\text{ V}$ | 2 | 4 | | |
| | Input offset voltage ⁽²⁾ | $0.7\text{ V} \leq V_{OUT} \leq 4.0\text{ V}$ | | | 5 | mV |
| | Bandwidth ⁽²⁾ | | 5 | | | MHz |
| | Input impedance, non-inverting ⁽²⁾ | V_{OUT} to GND | | 40 | | k Ω |
| | Input impedance, inverting ⁽²⁾ | V_{GSNS} to V_{DIFFO} | | 40 | | |
| GATE DRIVERS | | | | | | |
| | Source on-resistance, HDRV1, HDRV2 | $V_{BOOT1} = 5\text{ V}$, $V_{BOOT2} = 5\text{ V}$, $V_{SW1} = 0\text{ V}$, $V_{SW2} = 0\text{ V}$, Sourcing 100 mA | 1.0 | 2.0 | 3.5 | Ω |
| | Sink on-resistance, HDRV1, HDRV2 | $V_{BOOT1} = 5\text{ V}$, $V_{BOOT2} = 5\text{ V}$, $V_{VIN5} = 5\text{ V}$, $V_{SW1} = 0\text{ V}$, $V_{SW2} = 0\text{ V}$, Sinking 100 mA | 0.5 | 1.0 | 2.0 | |
| | Source on-resistance, LDRV1, LDRV2 | $V_{VIN5} = 5\text{ V}$, $V_{SW1} = 0\text{ V}$, $V_{SW2} = 0\text{ V}$, Sourcing 100 mA | 1 | 2 | 3.5 | Ω |
| | Sink on-resistance, LDRV1, LDRV2 | $V_{VIN5} = 5\text{ V}$, $V_{SW1} = 0\text{ V}$, $V_{SW2} = 0\text{ V}$, Sinking 100 mA | 0.30 | 0.75 | 1.50 | |
| t_{RISE} | Rise time, HDRV ⁽²⁾ | $C_{LOAD} = 3.3\text{ nF}$ | | 25 | 75 | ns |
| t_{FALL} | Fall time, HDRV ⁽²⁾ | $C_{LOAD} = 3.3\text{ nF}$ | | 25 | 75 | |
| t_{RISE} | Rise time, LDRV ⁽²⁾ | $C_{LOAD} = 3.3\text{ nF}$ | | 25 | 75 | |
| t_{FALL} | Fall time, LDRV ⁽²⁾ | $C_{LOAD} = 3.3\text{ nF}$ | | 25 | 60 | |
| t_{DEAD} | Dead time ⁽²⁾ | SW falling to LDRV rising | | 50 | | |
| | | LDRV falling to SW rising | | 30 | | |
| t_{ON} | Minimum controllable on-time ⁽²⁾ | $C_{LOAD} = 3.3\text{ nF}$ | | 150 | | |
| OUTPUT UNDERVOLTAGE FAULT | | | | | | |
| | Undervoltage fault threshold | V_{FB} relative to GND | 560 | 588 | 610 | mV |
| | | V_{FB} relative to V_{VREF} | -20% | -16% | -13% | |
| OUTPUT OVERVOLTAGE SET | | | | | | |
| | Overvoltage threshold | V_{OVSET} relative to GND | 796 | 817 | 832 | mV |
| | | V_{OVSET} relative to V_{VREF} | 14% | 16% | 19% | |

(2) Ensured by design. Not production tested.

ELECTRICAL CHARACTERISTICS (continued)
 $T_A = -40^{\circ}\text{C}$ to 85°C , $V_{IN} = 12\text{ V}$, $R_{RT} = 64.9\text{ k}\Omega$, $T_J = T_A$ (unless otherwise noted)

| PARAMETER | | TEST CONDITIONS | MIN | TYP | MAX | UNIT |
|--------------------------------|------------------------------------|--------------------------------|------|-------|------|---------------|
| RAMP | | | | | | |
| | Ramp amplitude ⁽³⁾ | | 0.4 | 0.5 | 0.6 | V |
| | Ramp valley ⁽³⁾ | | | 1.4 | | |
| POWER GOOD | | | | | | |
| | PGOOD high threshold | V_{FB} relative to V_{REF} | 10% | | 14% | |
| | PGOOD low threshold | V_{FB} relative to V_{REF} | -14% | | -10% | |
| V_{OL} | Low-level output voltage | $I_{PGOOD} = 4\text{ mA}$ | | 0.35 | 0.60 | V |
| I_{LEAK} | PGOOD bias current | $V_{PGOOD} = 5.0\text{ V}$ | | 50 | 80 | μA |
| | Current sense fault ⁽³⁾ | Current from CS1, CS2 | | 5 | | |
| INPUT UVLO PROGRAMMABLE | | | | | | |
| | Input threshold voltage, turn-on | | 0.9 | 1.0 | 1.1 | V |
| | Input threshold voltage, turn-off | | | 0.810 | | |
| LOAD LINE PROGRAMMING | | | | | | |
| I_{DROOP} | Pull-down current | $V_{CS} = 100\text{ mV}$ | 30 | 40 | 50 | μA |

(3) Ensured by design. Not production tested.



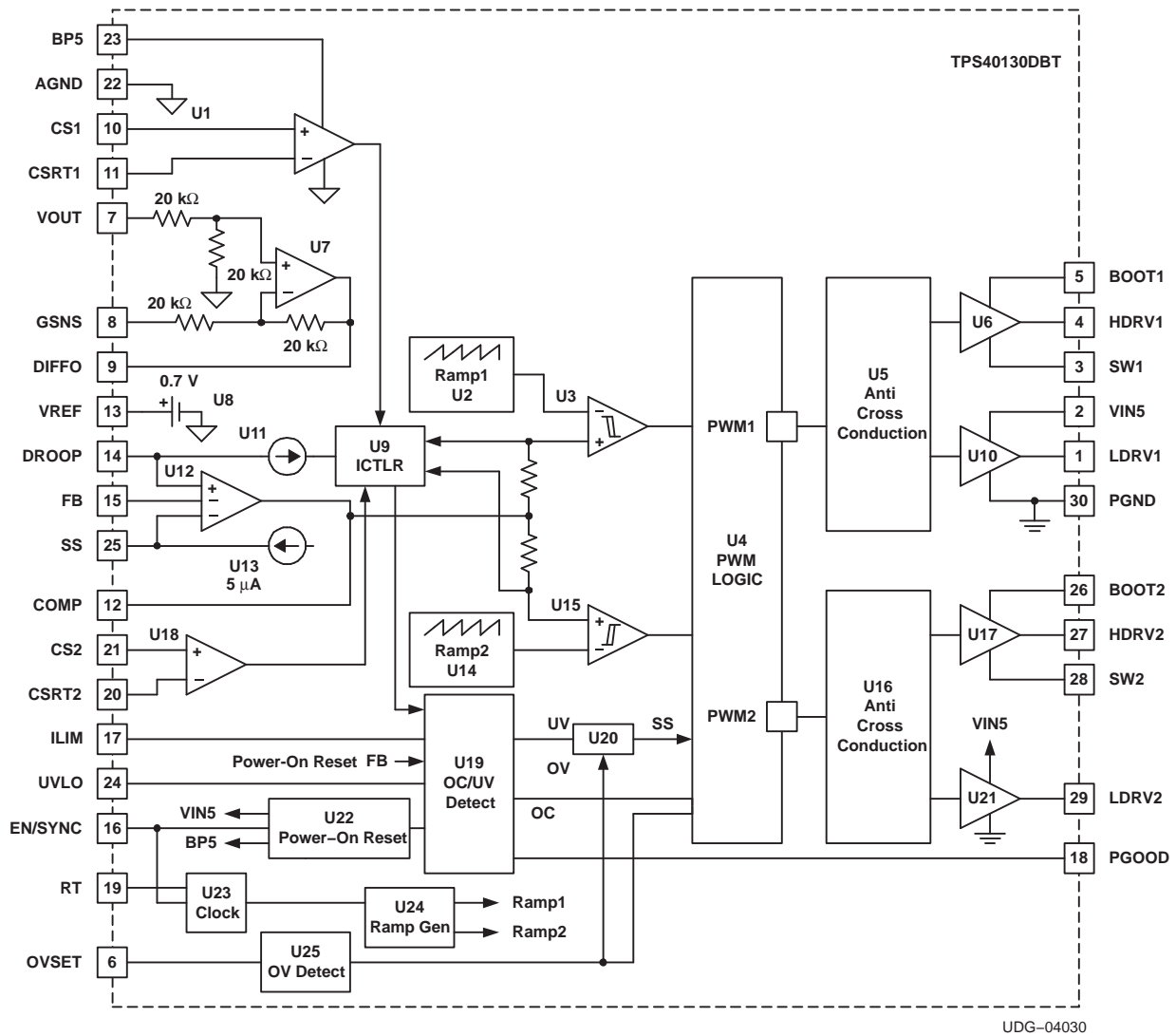
Terminal Functions

| TERMINAL | | I/O | DESCRIPTION | |
|----------|-----|-----|-------------|---|
| NAME | NO. | | | |
| | RHB | DBT | | |
| AGND | 19 | 22 | - | Low noise ground connection to the device. |
| BOOT1 | 1 | 5 | I | Provides a bootstrapped supply for the high-side FET driver for PWM1, enabling the gate of the high-side FET to be driven above the input supply rail. Connect a capacitor from this pin to SW1 pin and a Schottky diode from this pin to VIN5. |
| BOOT2 | 23 | 26 | I | Provides a bootstrapped supply for the high-side FET driver for PWM2, enabling the gate of the high-side FET to be driven above the input supply rail. Connect a capacitor from this pin to SW2 pin and a Schottky diode from this pin to VIN5. |
| BP5 | 20 | 23 | O | Filtered input from the VIN5 pin. A 10-Ω resistor should be connected between VIN5 and BP5 and a 1.0-μF ceramic capacitor should be connected from this pin to ground. |
| COMP | 9 | 12 | O | Output of the error amplifier. The voltage at this pin determines the duty cycle for the PWM. |
| CS1 | 6 | 10 | I | These pins are used to sense the inductor phase current. Inductor current can be sensed with an external current sense resistor or by using an external R-C circuit and the inductor's DC resistance. The traces for these signals must be connected directly at the current sense element. See Layout Guidelines for more information. After the device is enabled and prior to the device starting (during the first 32 clock cycles), a 5-μA current flows out of these pins. The current flows through the external components: current sense resistor, R _{CS} , the output inductor and the output capacitor(s) to ground. If the voltage on the CS1, and CS2 pins exceed 0.2 V (resistance greater than 40 kΩ), a fault is declared and the device does not start. This is a fault detection feature that insures the output inductor, current sense resistor and output capacitors are installed properly on the board. |
| CS2 | 18 | 21 | I | |
| CSRT1 | 7 | 11 | O | Return point of current sense voltage. The traces for these signals must be connected directly at the current sense element. See Layout Guidelines for more information. |
| CSRT2 | 17 | 20 | O | |
| DIFFO | 5 | 9 | O | Output of the differential amplifier. The voltage at this pin represents the true output voltage without IR drops that result from high-current in the PCB traces. The VOUT and GSNS pins must be connected directly at the point of load where regulation is required. See Layout Guidelines for more information. |
| DROOP | 11 | 14 | I | This is the input to the non-inverting input of the Error Amplifier. This pin is normally connected to the VREF pin and is the voltage that the feedback loop regulates to. This pin is also used to program droop function. A resistor between this pin and the VREF pin sets the desired droop value. The value of the DROOP resistor is described in Equation 22 . |
| EN/SYNC | 13 | 16 | I | A logic high signal on this input enables the controller operation. A pulsing signal to this pin synchronizes the rising edge of SW to the falling edge of an external clock source. These pulses must be greater than 8.2 times the free running frequency of the main oscillator set by the RT resistor. |

Terminal Functions (continued)

| TERMINAL | | | I/O | DESCRIPTION |
|----------|-----|-----|-----|---|
| NAME | NO. | | | |
| | RHB | DBT | | |
| FB | 12 | 15 | I | Inverting input of the error amplifier. In closed loop operation, the voltage at this pin is the internal reference level of 700 mV. This pin is also used for the PGOOD and undervoltage comparators. |
| GSNS | 4 | 8 | I | Inverting input of the differential amplifier. This pin should be connected to ground at the point of load. |
| HDRV1 | 32 | 4 | O | Gate drive output for the high-side N-channel MOSFET switch for PWM1. Output is referenced to SW1 and is bootstrapped for enhancement of the high-side switch. |
| HDRV2 | 25 | 27 | O | Gate drive output for the high-side N-channel MOSFET switch for PWM2. Output is referenced to SW2 and is bootstrapped for enhancement of the high-side switch. |
| ILIM | 14 | 17 | I | Used to set the cycle-by-cycle current limit threshold. If ILIM threshold is reached, the PWM cycle is terminated and the converter delivers limited current to the output. Under these conditions the undervoltage threshold eventually is reached and the controller enters the hiccup mode. The controller stays in the hiccup mode for seven (7) consecutive cycles of SS voltage rising from zero to 1.0 V. At the eighth cycle the controller attempts a full start-up sequence. The relationship between ILIM and the maximum phase current is described in Equation 4 and Equation 5 . See the Overcurrent Protection section for more details. |
| LDRV1 | 29 | 1 | O | Gate drive output for the low-side synchronous rectifier (SR) N-channel MOSFET for PWM1. See <i>Layout Considerations</i> section. |
| LDRV2 | 27 | 29 | O | Gate drive output for the low-side synchronous rectifier (SR) N-channel MOSFET for PWM2. See <i>Layout Considerations</i> section. |
| NC | 8 | - | - | No connect. This pin is mechanical only. |
| NC | 24 | - | - | |
| OVSET | 2 | 6 | I | A resistor divider, on this pin connected to the output voltage sets the overvoltage sense point. |
| PGOOD | 15 | 18 | O | Power good indicator of the output voltage. This open-drain output connects to a voltage via an external resistor. When the FB pin voltage is between 0.616 V to 0.784 V (88% to 112% of VREF), the PGOOD output is in a high impedance state. If the DROOP function is implemented, the programmed droop voltage must be within this window. |
| PGND | 28 | 30 | - | Power ground reference for the controller lower gate drivers. There should be a high-current return path from the sources of the lower MOSFETs to this pin. |
| RT | 16 | 19 | I | Connecting a resistor from this pin to ground sets the oscillator frequency. |
| SS | 22 | 25 | I | Provides user programmable soft-start by means of a capacitor connected to the pin. If an undervoltage fault is detected the soft-start capacitor cycles 7 times with no switching before a normal soft-start sequence allowed. |
| SW1 | 31 | 3 | I | Connect to the switched node on converter 1. Power return for the channel 1 upper gate driver. There should be a high-current return path from the source of the upper MOSFET to this pin. It is also used by the adaptive gate drive circuits to minimize the dead time between upper and lower MOSFET conduction. |
| SW2 | 26 | 28 | I | Connect to the switched node on converter 2. Power return for the channel 2 upper gate driver. There should be a high-current return path from the source of the upper MOSFET to this pin. It is also used by the adaptive gate drive circuits to minimize the dead time between upper and lower MOSFET conduction. |
| UVLO | 21 | 24 | O | A voltage divider from VIN to this pin, set to 1V, determines the input voltage that starts the controller. |
| VOUT | 3 | 7 | O | Non-inverting input of the differential amplifier. This pin should be connected to VOOUT at the point of load. |
| VREF | 10 | 13 | O | Output of an internal reference voltage. The load may be up to 100 μ A DC. |
| VIN5 | 30 | 2 | I | Power input for the device. A 1.0- μ F ceramic capacitor should be connected from this pin to ground. |

FUNCTIONAL BLOCK DIAGRAM



FUNCTIONAL DESCRIPTION

The TPS40130 uses programmable fixed-frequency, peak current mode control with forced phase current balancing. When compared to voltage-mode control, current mode results in a simplified feedback network and reduced input line sensitivity. Phase current is sensed by using either the DCR (direct current resistance) of the filter inductors or current sense resistors installed in series with output. The first method involves generation of a current signal with an R-C circuit (shown in the applications diagram). The R-C values are selected by matching time constants of the RC circuit and the inductor time constant, $R \times C = L / DCR$. With either current sense method, the current signal is amplified and superimposed on the amplified voltage error signal to provide current mode PWM control.

Output voltage droop can be programmed to improve the transient window and reduce size of the output filter.

Other features include: a true differential output sense amplifier, programmable current limit, programmable output over-voltage set-point, capacitor set soft-start, power good indicator, programmable input undervoltage lockout (UVLO), user programmable operation frequency for design flexibility, external synchronization capability, programmable pulse-by-pulse overcurrent protection, output undervoltage shutdown and restart.

FUNCTIONAL DESCRIPTION (continued)

Startup Sequence

Figure 1 shows a typical start up with the VIN5 and BP5 applied to the controller and then the EN/SYNC being enabled. Shut down occurs when the VIN5 is removed

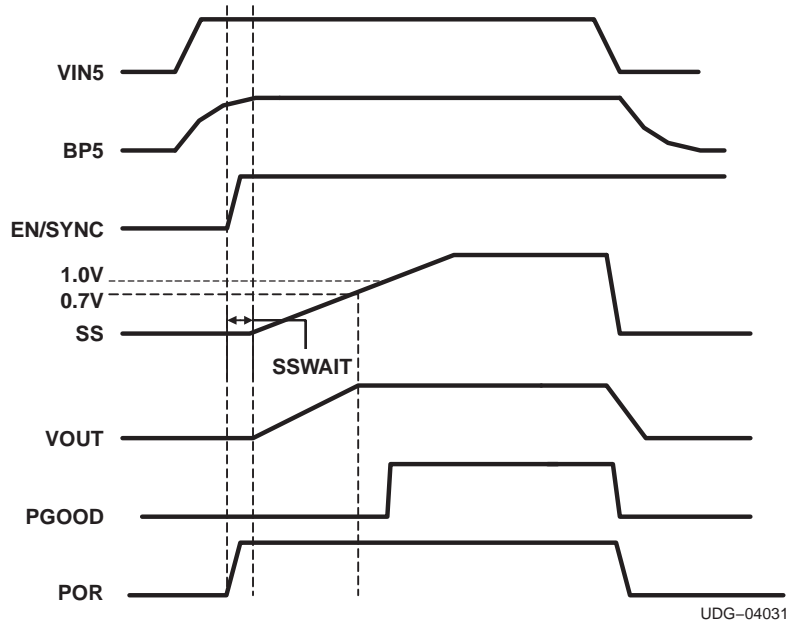


Figure 1. Startup and Shutdown Sequence

Differential Amplifier (U7)

The unity gain differential amplifier with high bandwidth allows improved regulation at a user-defined point and eases layout constraints. The output voltage is sensed between the VOUT and GSNS pins. The output voltage programming divider is connected to the output of the amplifier (DIFFO). The differential amplifier input voltage must be lower than ($V_{BP5} - 0.7\text{ V}$).

If there is no need for a differential amplifier, the differential amplifier can be disabled by connecting the GSNS pin to the BP5 pin and leaving VOUT and DIFFO open. The voltage programming divider in this case should be connected directly to the output of the converter.

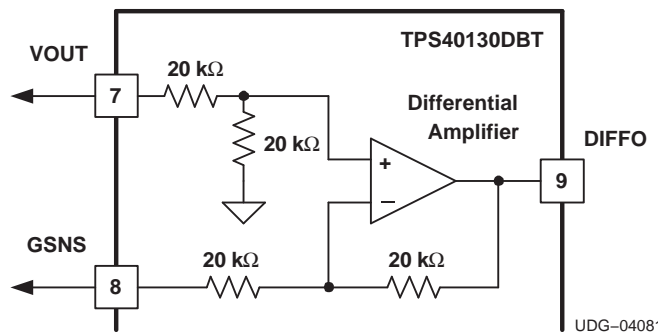


Figure 2. Differential Amplifier Configuration

Because of the resistor configuration of the differential amplifier, the input impedance must be kept very low or there will be error in setting the output voltage.

FUNCTIONAL DESCRIPTION (continued)

Current Sensing and Balancing (U1, U9 and U18)

The controller employs peak current mode control scheme, thus naturally provides certain degree of current balancing. With current mode, the level of current feedback should comply with certain guidelines depending on duty factor known as “slope compensation” to avoid the sub-harmonic instability. This requirement can prohibit achieving a higher degree of phase current balance. To avoid the controversy, a separate current loop that forces phase currents to match is added to the proprietary control scheme. This effectively provides high degree of current sharing independent of the controller’s small signal response and is implemented in U9, ICTLR.

High bandwidth current amplifiers, U1 and U18 can accept as an input voltage either the voltage drop across dedicated precise current sense resistors, or inductor’s DCR voltage derived by an RC network, or thermally compensated voltage derived from the inductor’s DCR. The wide range of current sense arrangements ease the cost/complexity constrains and provides superior performance compared to controllers utilizing the low-side MOSFET current sensing. The current sense amplifier inputs must not exceed 4 V. See the *Inductor DCR Current Sense* section for more information on selecting component values for the R-C network.

PowerGood

The PGOOD pin indicates when the inputs and output are within their specified ranges of operation. Also monitored are the EN/SYNC and SS pins. PGOOD has high impedance when indicating inputs and outputs are within specified limits and is pulled low to indicate an out-of-limits condition. Some applications may require hysteresis on the PGOOD signal to avoid a PGOOD signal bounce. A simple method to achieve this (and thereby eliminate any PGOOD signal bounce) is to add a small resistor (R_A) and capacitor (C_A) between the FB pin and the PGOOD pin. See [Figure 3](#) for implementation.

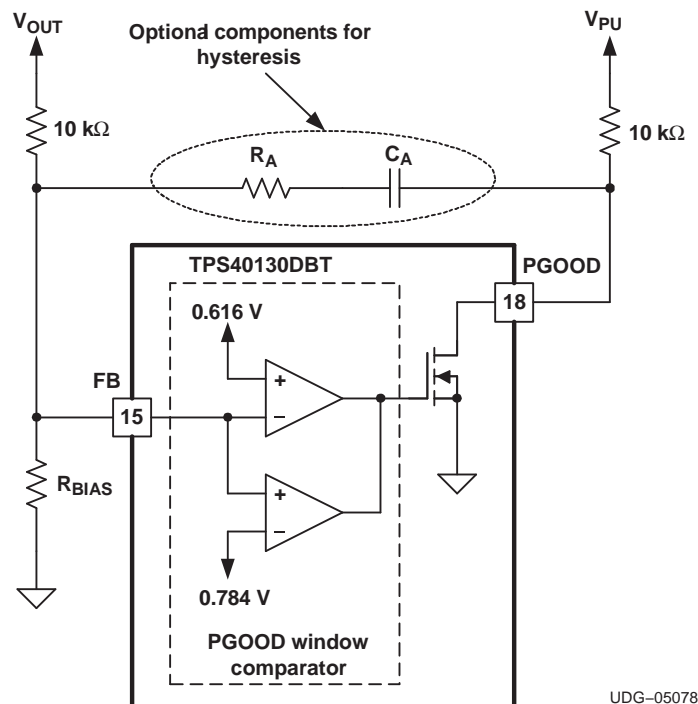


Figure 3. Adding Hysteresis to the PGOOD Signal

To select R_A and C_A , the following criteria can be used.

$$R_A = R_{BIAS} \times \left[\left(\frac{V_{PU} - V_{FB}}{1.3 \times 0.16 \times V_{FB}} \right) - 1 \right] \quad (1)$$

V_{PU} and the PGOOD pull-up voltage and V_{FB} is the TPS40130 internal reference voltage. The factor 1.3 in [Equation 1](#) provides a margin for robustness.

FUNCTIONAL DESCRIPTION (continued)

$$C_A = \frac{100 \text{ ns}}{R_A} \quad (2)$$

Even though C_A may calculate to less than 1 pF, a capacitance of no more than 4.7 pF is recommended.

Soft-Start

A capacitor connected to the soft start pin (SS) sets the power-up time. When EN is high and POR is cleared, the calibrated current source, U13, starts charging the external soft start capacitor. The PGOOD pin is held low during the start up. The rising voltage across the capacitor serves as a reference for the error amplifier, U12. When the soft-start voltage reaches the level of the reference voltage, U8 ($V_{VREF}=0.7V$), the converter's output reaches the regulation point and further voltage rise of the soft start voltage has no effect on the output. When the soft start voltage reaches 1.0 V, the power good (PGOOD) function is cleared to be reported on the PGOOD pin. Normally the PGOOD pin goes high at this time. Equation 3 is used to calculate the value of the soft-start capacitor.

$$t_{SS} = \frac{0.7 \times C_{SS}}{5 \times 10^{-6}} \quad (3)$$

Overcurrent Protection

The overcurrent function, U19, monitors the output of current sense amplifiers U1 and U18. These currents are converted to voltages and compared to the voltage on the ILIM pin. The relationship between the maximum phase current and the current sense resistance is given in the following equation. In case a threshold of $V_{ILIM}/2.7$ is exceeded the PWM cycle on the associated phase is terminated. The overcurrent threshold, $I_{PH(max)}$, and the voltage to set on the ILIM pin is determined by Equation 4 and Equation 5.

$$V_{ILIM} = 2.7 \times I_{PH(max)} \times R_{CS} \quad (4)$$

$$I_{PH(max)} = \frac{I_{OUT}}{2} + \frac{(V_{IN} - V_{OUT}) \times V_{OUT}}{2 \times L_{OUT} \times f_{SW} \times V_{IN}} \quad (5)$$

where

- $I_{PH(max)}$ is a maximum value of the phase current allowed
- I_{OUT} is the total maximum DC output current
- R_{CS} is a value of the current sense resistor used or the DCR value of the output inductor, L_{OUT}

If the overcurrent condition persists, both phases have PWM cycles terminated by the overcurrent signals. This puts a converter in a constant current mode with the output current programmed by the ILIM voltage. Eventually the supply-and-demand equilibrium on the converter output is not satisfied and the output voltage starts to decline. When the undervoltage threshold is reached, the converter enters a hiccup mode. The controller is stopped and the output is not regulated any more, the soft-start pin function changes.

It now serves as a hiccup timing capacitor controlled by U20, the fault control circuit. The soft-start pin is periodically charged and discharged by U20. After seven hiccup cycles, the controller attempts another soft-start cycle to restore normal operation. If the overload condition persists, the controller returns to the hiccup mode. This condition may continue indefinitely. In such conditions the average current delivered to the load is approximately 1/8 of the set overcurrent value.

Current Sense Fault Protection

Multiphase controllers with forced current sharing are inherently sensitive to a failure of the current sense component or a defect in the assembly process. In case of such failure the entire load current can be steered with catastrophic consequences into a single channel where the fault has occurred. A dedicated circuit in the TPS40130 controller detects this defect and prevents the controller from starting up. This fault detection circuit is active only during chip initialization and does not protect should current sense failure happen during normal operation.

FUNCTIONAL DESCRIPTION (continued)

After the device is enabled and prior to the IC starting (during the first 32 clock cycles), a 5- μ A current flows out of the CS1 and CS2 pins. The current flows through the external components: current sense resistor, R_{CS} , the output inductor and the output capacitor(s) to ground. If the voltage on the CS1 and CS2 pins exceed 0.2 V (resistance greater than 40 k Ω), a fault is declared and the device does not start. This is a fault detection feature that insures the output inductor, current sense resistor and output capacitors are installed properly on the board.

Overvoltage Protection

The voltage on OVSET is compared with 0.817 V, 16% higher than VREF, in U25 to determine the output overvoltage point. When an overvoltage is detected, the output drivers command the upper MOSFETs off and the lower MOSFETs on. If the overvoltage is caused by a shorted upper MOSFET, latching on the lower MOSFET should blow the input fuse and protect the output. Hiccup mode consisting of seven (7) soft-start timing cycles is initiated and then attempts to restart. If the overvoltage condition has been cleared and the input fuse has not opened, the output comes up and normal operation continues. If the overvoltage condition persists, the controller restarts to allow the output to rise to the overvoltage level and return to the hiccup mode. Using a voltage divider with the same ratio, that sets the output voltage, an output overvoltage is declared when the output rises 16% above nominal.

Output Undervoltage Protection

If the output voltage, as sensed by U19 on the FB pin becomes less than 0.588 V, the undervoltage protection threshold (84% of VREF), the controller enters the hiccup mode as it is described in the Overcurrent Protection section.

Programmable Input Undervoltage Lockout Protection

A voltage divider that sets 1V on the UVLO pin determines when the controller starts operating. Operation commences when the voltage on the UVLO pin exceeds 1.0 V.

Power-On Reset (POR)

The power-on reset (POR) function, U22, insures the VIN5 and BP5 voltages are within their regulation windows before the controller is allowed to start.

Fault Masking Operation

If the SS pin voltage is externally limited below the 1-V threshold, the controller does not respond to most faults and the PGOOD output is always low. Only the overcurrent function and current sense fault remain active. The overcurrent protection still continues to terminate PWM cycle every time when the threshold is exceeded but the hiccup mode is not entered.

Fault Conditions and MOSFET Control

Table 1 shows a summary of the fault conditions and the state of the MOSFETs.

Table 1. Fault Condifions

| FAULT MODE | UPPER MOSFET | LOWER MOSFET |
|--------------------------------|------------------|-----------------|
| EN/SYNC = LOW | OFF | OFF |
| FIXED UVLO, $V_{BP5} < 4.25$ V | OFF | OFF |
| Programmable UVLO, < 1.0 V | OFF | ON |
| Output undervoltage | OFF, Hiccup mode | ON, Hiccup mode |
| Output overvoltage | OFF, Hiccup mode | ON, Hiccup mode |
| ISF, current sense fault | OFF | ON |

Setting the Switching Frequency

The clock frequency is programmed by the value of the timing resistor connected from the RT pin to ground. See [Equation 6](#).

$$R_T = 0.8 \times \left[\left(\frac{36 \times 10^3}{f_{PH}} \right) - 9 \right] \tag{6}$$

f_{PH} is a single phase frequency, kHz. The RT resistor value is expressed in kΩ. See [Figure 4](#).

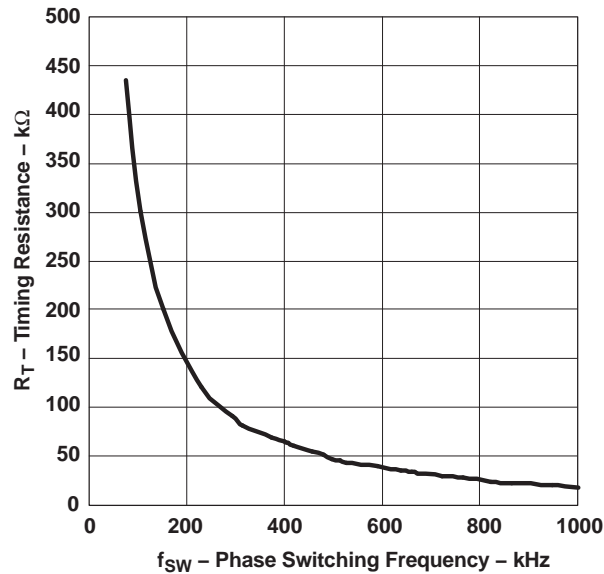


Figure 4. Phase Switching Frequency vs. Timing Resistance

EN/SYNC Function

The output ripple frequency is twice that of the single phase frequency. The switching frequency of the controller can be synchronized to an external clock applied to the EN/SYNC pin. The external clock synchronizes the rising edge of HDRV and the falling edge of an external clock source. The external clock pulses must be at a frequency at least 8.2 times higher than the switching frequency set by the RT resistor.

Setting Overcurrent Protection

Setting the overcurrent protection is given in the following equations. Care must be taken when calculating V_{ILIM} to include the increase in R_{CS} caused by the output current as it approaches the overcurrent trip point. The DCR (R_{CS} in the equation) of the inductor increases approximately 0.39% per degree Centigrade.

$$V_{ILIM} = 2.7 \times I_{PH(max)} \times R_{CS} \quad (7)$$

$$I_{PH(max)} = \frac{I_{OUT}}{2} + \frac{(V_{IN} - V_{OUT}) \times V_{OUT}}{2 \times L_{OUT} \times f_{SW} \times V_{IN}} \quad (8)$$

where

- $I_{PH(max)}$ is a maximum value of the phase current allowed
- I_{OUT} is the total maximum DC output current
- L_{OUT} is the output inductor value
- f_{SW} is the switching frequency
- V_{OUT} is the output voltage
- V_{IN} is the input voltage
- R_{CS} is a value of the current sense resistor used or the DCR value of the output inductor, L_{OUT}

Resistor Divider Calculation for VOUT, ILIM, OVSET and UVLO

Use [Figure 9](#) for setting the output voltage, current limit voltage and overvoltage setting voltage. Select R_{BIAS} using [Equation 9](#). With a voltage divider from V_{REF} , select R6 using [Equation 10](#). With a voltage from DIFFO select R4 using [Equation 11](#). With a voltage divider from V_{IN} , select R8 using [Equation 12](#).

$$R_{BIAS} = 0.7 \times \frac{R1}{(V_{OUT} - 0.7)} \quad (9)$$

$$R6 = R5 \times \frac{V_{ILIM}}{(0.7 - V_{ILIM})} \quad (10)$$

$$R4 = 0.812 \times \frac{R3}{(V_{OUT(ov)} - 0.812)} \quad (11)$$

$$R8 = 1.0 \times \frac{R7}{(V_{IN} - 1.0)} \quad (12)$$

Feedback Loop Compensation

The TPS40130 operates in a peak-current mode and the converter exhibits a single pole response with ESR zero for which Type II compensation network is usually adequate as shown in [Figure 5](#).

The load pole is situated at a value calculated using [Equation 13](#).

$$f_{OP} = \frac{1}{2\pi \times R_{OUT} \times C_{OUT}} \quad (13)$$

and the ESR zero is situated at a value calculated using [Equation 14](#).

$$f_{ESRZ} = \frac{1}{2\pi \times R_{ESR} \times C_{OUT}} \quad (14)$$

To achieve the desired bandwidth the error amplifier has to compensate for modulator gain loss at the crossover frequency. A zero placed at the load pole frequency facilitates that. The ESR zero alters the modulator -1 slope at higher frequencies. To compensate for the ESR zero, a pole in the error amplifier transfer function should be placed at the ESR zero frequency.

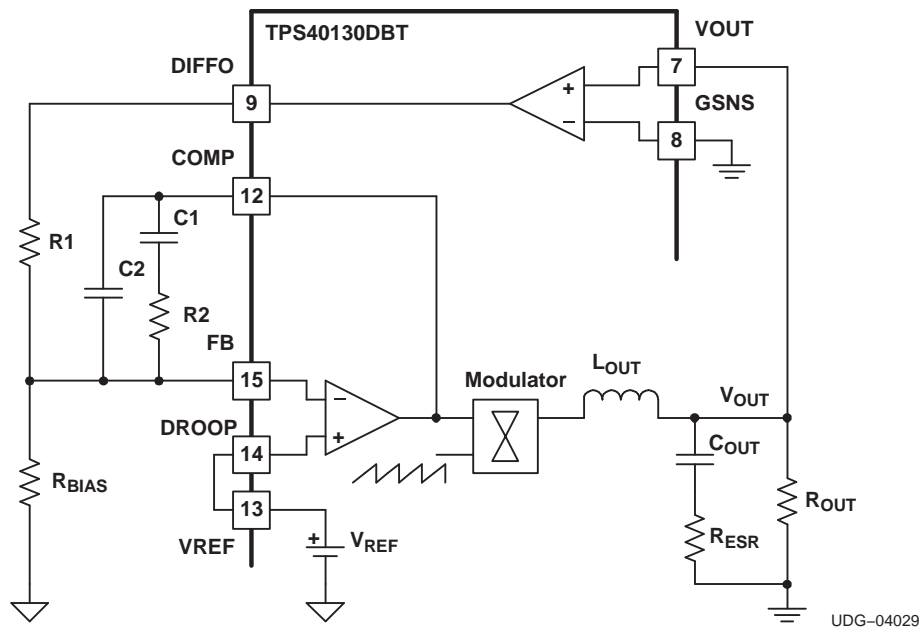


Figure 5. Compensation Components

The following expressions help in choosing components of the EA compensation network. It is recommended to fix value of the resistor R1 first as it further simplifies adjustments of the output voltage without altering the compensation network.

$$R2 = \frac{R1}{AMOD(f)} \quad (15)$$

$$AMOD = \frac{V_{VIN}}{0.4} \quad (16)$$

where AMOD is the modulator gain at DC

$$AMOD(f) = AMOD \times \frac{f_{OP}}{f_C} \quad (17)$$

where AMOD(f) is the modulator gain at the crossover frequency

$$C1 = \frac{1}{(2\pi \times f_{OP} \times R2)} \quad (18)$$

$$C2 = \frac{1}{(2\pi \times f_{ESRZ} \times R2)} \quad (19)$$

Introduction of output voltage droop as a measure to reduce amount of filter capacitors changes the transfer function of the modulator as it is shown in Figure 6 and Figure 7. The droop function introduces another zero in the modulator gain function.

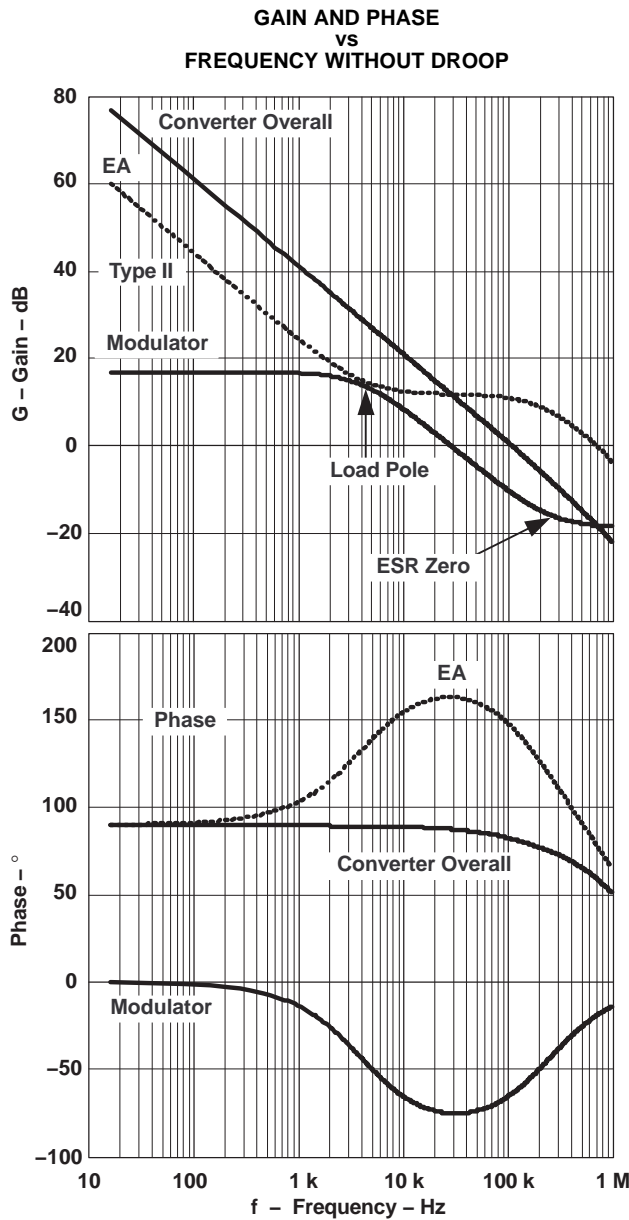


Figure 6.

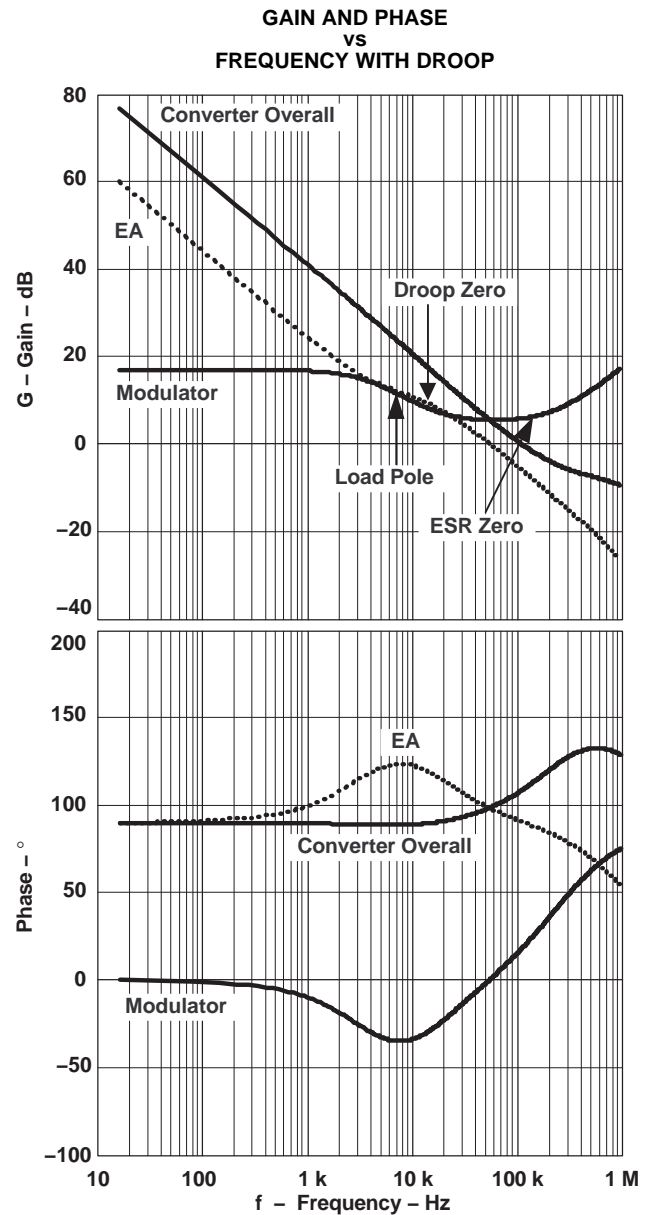


Figure 7.

The droop function, as well as the the output capacitor ESR, introduce a zero on some frequency left from the crossover point. See [Equation 20](#)

$$f_{\text{DROOPZ}} = \frac{1}{2\pi \left(\frac{V_{\text{DROOP}}}{I_{\text{OUT(max)}}} \right) \times C_{\text{OUT}}} \quad (20)$$

To compensate for this zero, pole on the same frequency should be added to the error amplifier transfer function. With Type II compensation network a new value for the capacitor C2 is required compared to the case without droop.

$$C2 = \frac{C1}{2\pi \times R2 \times C1 \times (f_{DROOPZ} - 1)} \tag{21}$$

When attempting closing the feedback loop at frequency that is close to the theoretical limit, use the above considerations as a first approximation and perform on bench measurements of closed loop parameters as effects of switching frequency proximity and finite bandwidth of voltage and current amplifiers may substantially alter them as it is shown in [Figure 8](#).

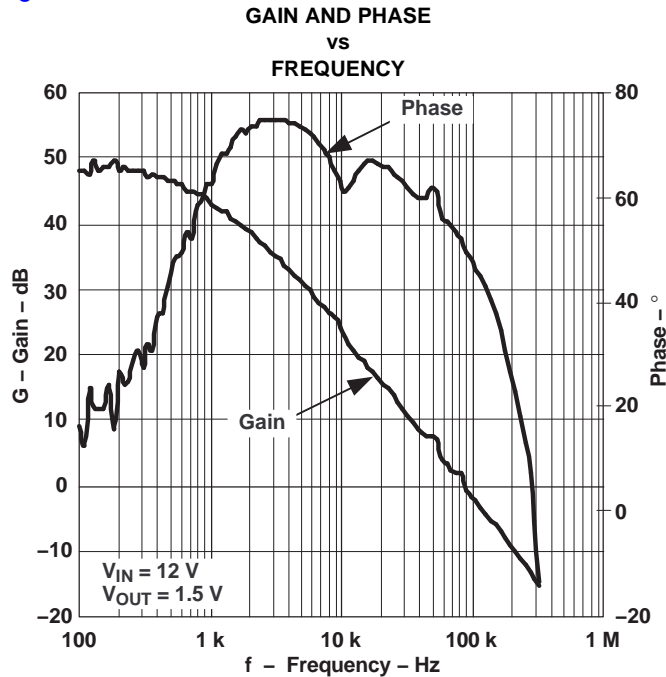


Figure 8.

Setting the Output Voltage Droop

In many applications the output voltage of the converter intentionally allowed to droop as load current increases. This approach also called active load line programming and allows for better use of regulation window and reduces the amount of the output capacitors required to handle a load current step. A resistor from the VREF pin to the DROOP pin sets the desired value of the output voltage droop. See [Equation 22](#).

$$R_{DROOP} = \frac{5000 \times V_{DROOP}}{I_{OUT} \times R_{CS}} \times \frac{R_{BIAS}}{R1 + R_{BIAS}} \tag{22}$$

where

- V_{DROOP} is the value of droop at maximum load current (I_{LOAD})
- R_{CS} is a value of the current sense resistor used or the DCR value of the output inductor

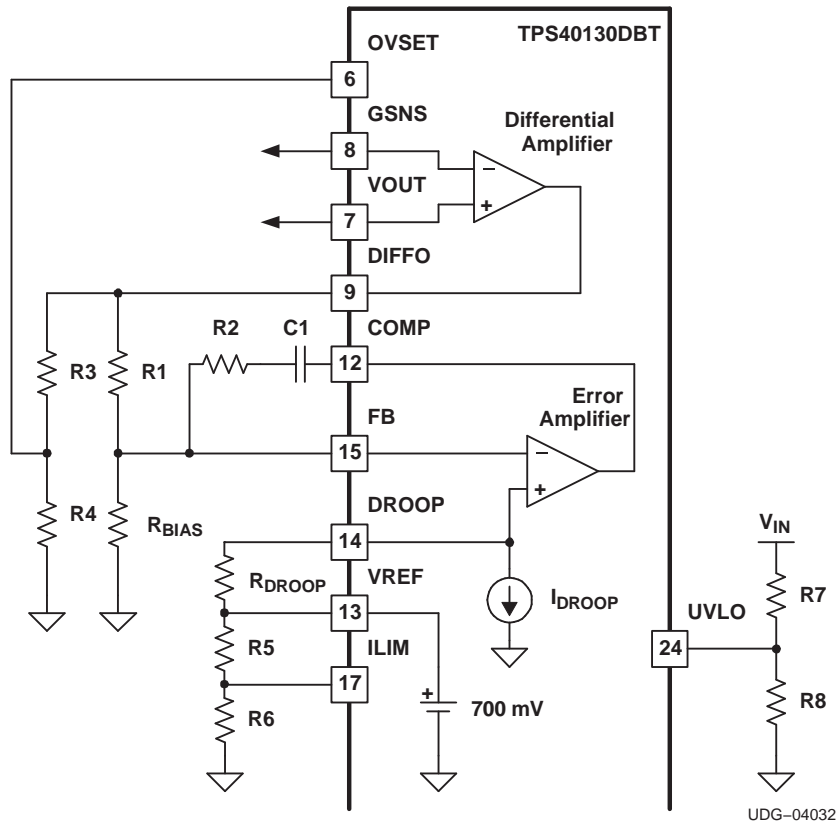


Figure 9. Implementing the Droop Function, Resistor Between DROOP and VREF.

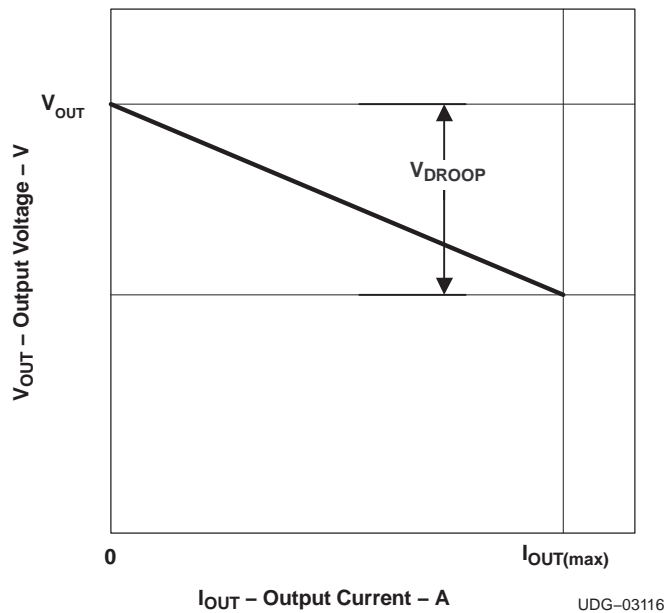


Figure 10. Output Voltage Droop Characteristic as Output Current Varies.

Inductor DCR Current Sense

Inductor DCR current sensing is a known lossless technique to retrieve current proportional signal. Referring to Figure 11.

At any given frequency the DCR voltage can be calculated using Equation 23 and Equation 24.

$$V_{DCR} = (V_{IN} - V_{OUT}) \times \frac{DCR}{DCR + \omega \times L} \tag{23}$$

$$V_C = (V_{IN} - V_{OUT}) \times \frac{1}{\omega \times C \times \left(R_{CS} + \frac{1}{\omega \times C}\right)} \tag{24}$$

Voltage across the capacitor is equal to voltage drop across the inductor DCR, $V_C = V_{DCR}$ when time constant of the inductor and the time constant of the RC network are equal, see Equation 25. Setting the value of the capacitor to 0.1 μ F or 0.01 μ F provides for reasonable resistor values.

$$V_C = \frac{1}{\omega \times C \times \left(R_{CS} + \frac{1}{\omega \times C}\right)} = \frac{DCR}{DCR + \omega \times L}; \quad \frac{L}{DCR} = R_{CS} \times C; \quad \tau_{DCRL} = \tau_{RC} \tag{25}$$

The output signal generated by the network shown in Figure 11 is temperature dependent due to positive thermal coefficient of copper specific resistance $K_T = 1 + 0.0039 \times (T - 25)$. The temperature variation of the inductor coil can easily exceed 100°C in a practical application leading to approximately 40% variation in the output signal and, in turn, respectively moving the overcurrent threshold and the load line.

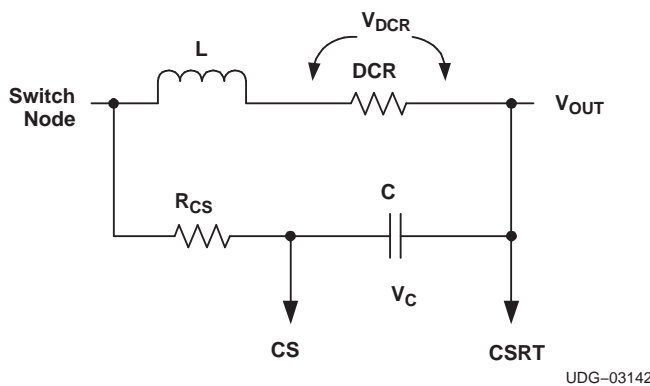


Figure 11. Inductor Current Sense Configuration for 1.2-V Output

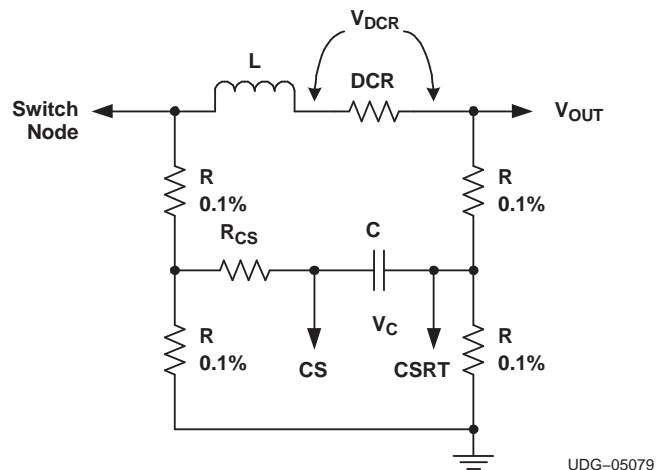


Figure 12. Inductor Current Sense Configuration for 5-V Output

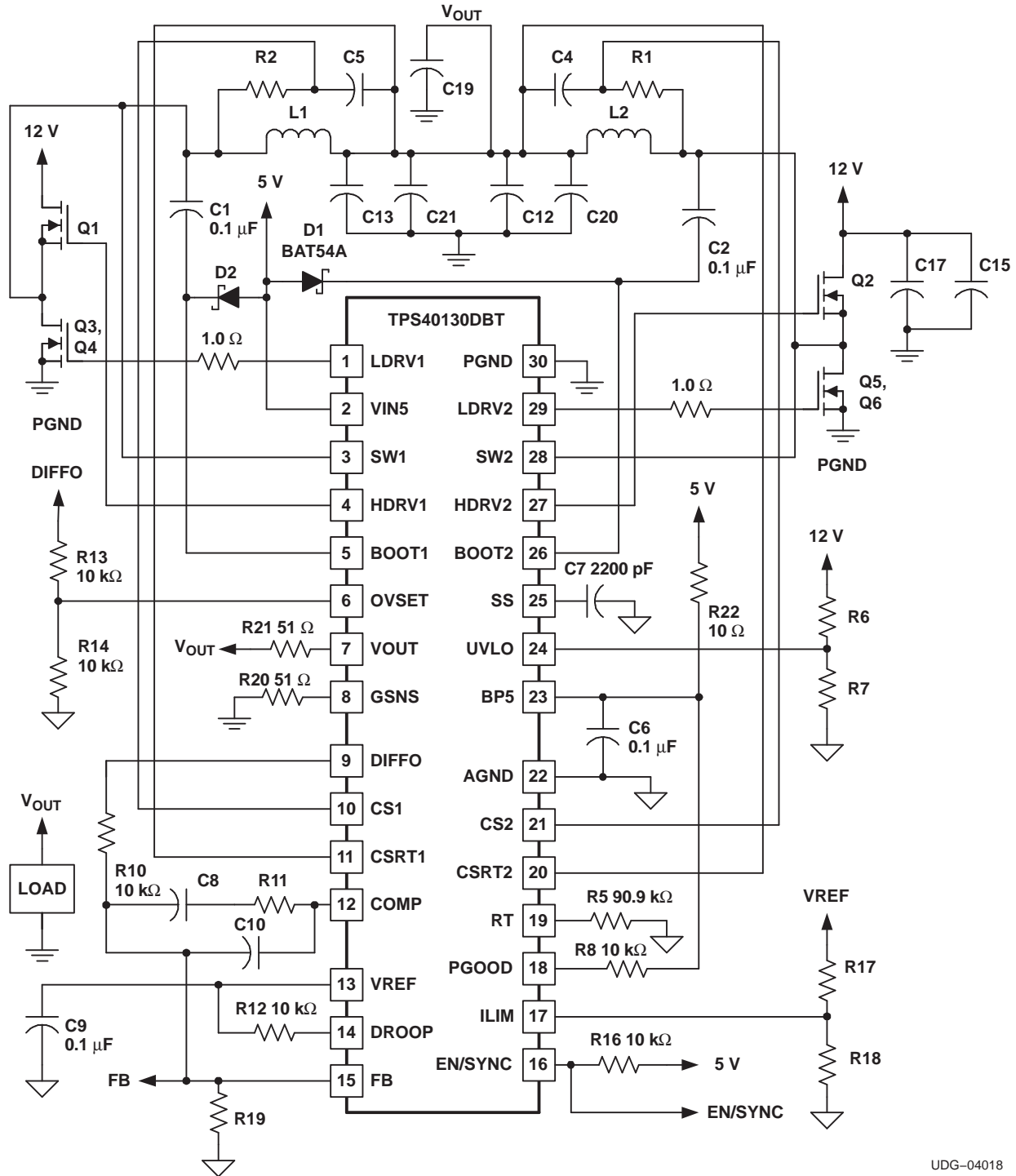
Inductor DCR Current Sensing with 5-V Outputs

Due to the current sense operational amplifier input common mode voltage range, it is necessary to divide the current sense information before connecting to the TPS40130 current sense pins (CS1, CSRT1, CS2 and CSRT2). Figure 12 shows how this is achieved. R_{CS} and C are selected as normal using the method described in Equation 24 and Equation 25. The divider resistors (R) are chosen to be much smaller than R_{CS} . They are typically 100 times smaller. However, if these resistors are too small, they may dissipate too much power. In that case, choose a smaller capacitance value, and select a new R_{CS} . The resistors used in the divider should be precision resistors each having the same value.

APPLICATION INFORMATION

Applications Circuit

Figure 13 shows a typical applications circuit providing 1.5 V_{OUT} at 40 A.



UDG-04018

Figure 13. Typical Application Circuit

APPLICATION INFORMATION (continued)

Additional Application Circuits

Figure 14 shows a VRM10.x compliant solution where the output voltage is controlled by the VID code of the TPS40120. The six-bit controller provides outputs from 0.8375 V to 1.600 V in 12.5 mV steps for VRM 10.x or provides five-bit control for other Intel processors. When the TPS40120 receives a VID of x11111, indicating the no CPU state, output NCPU1# pulls the soft-start (SS) pin low insuring the output voltage soft-starts with a valid VID code.

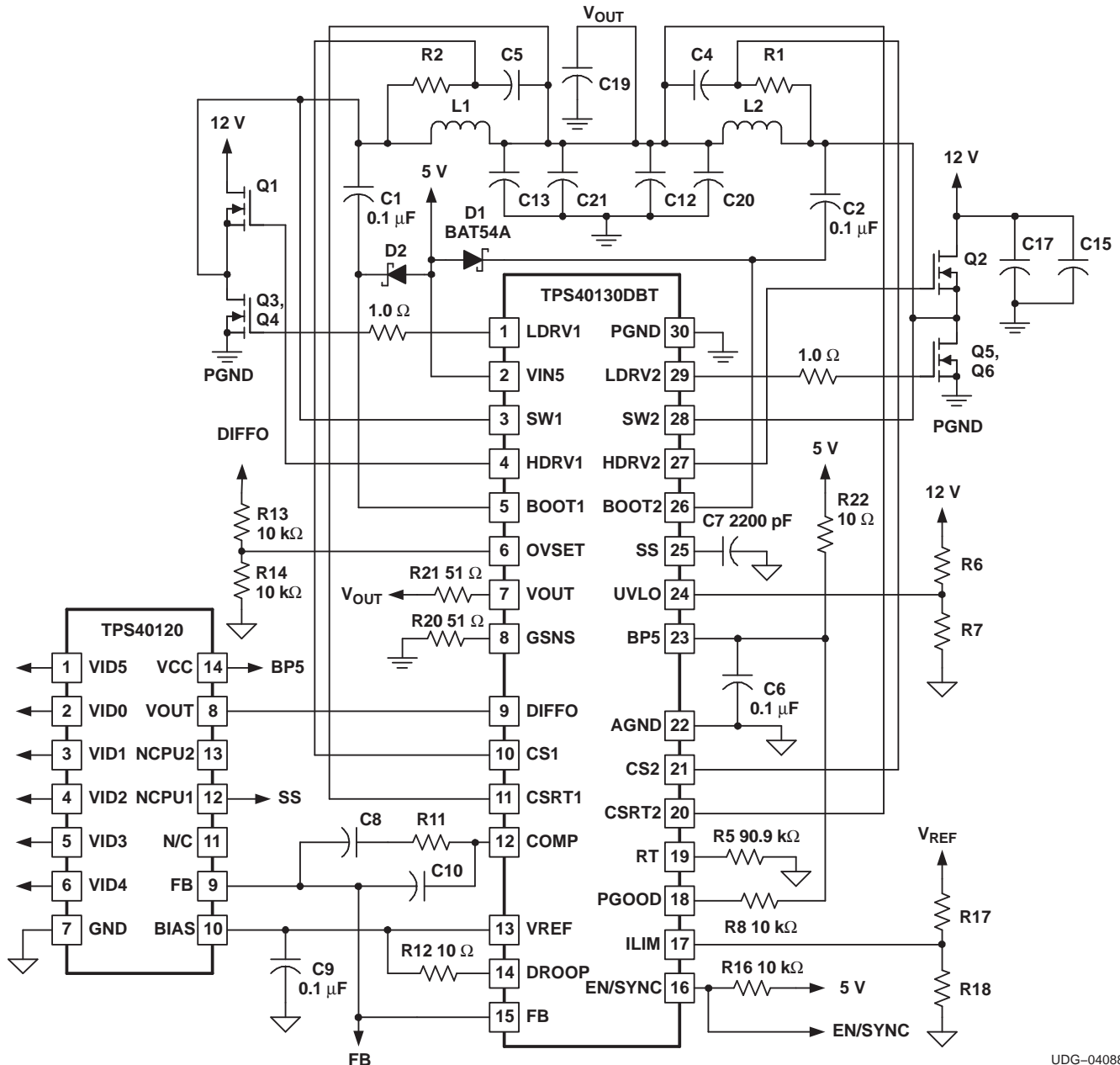


Figure 14. Application Circuit with VID Control

UDG-04088

Figure 15 shows the configuration with the TPS40130 processing power from two different input power sources, 12 V and 5 V is shown. This is useful when there is not sufficient power from a single input source to provide the required output power. The inductor currents are not equal and the difference in the peak currents are approximately:

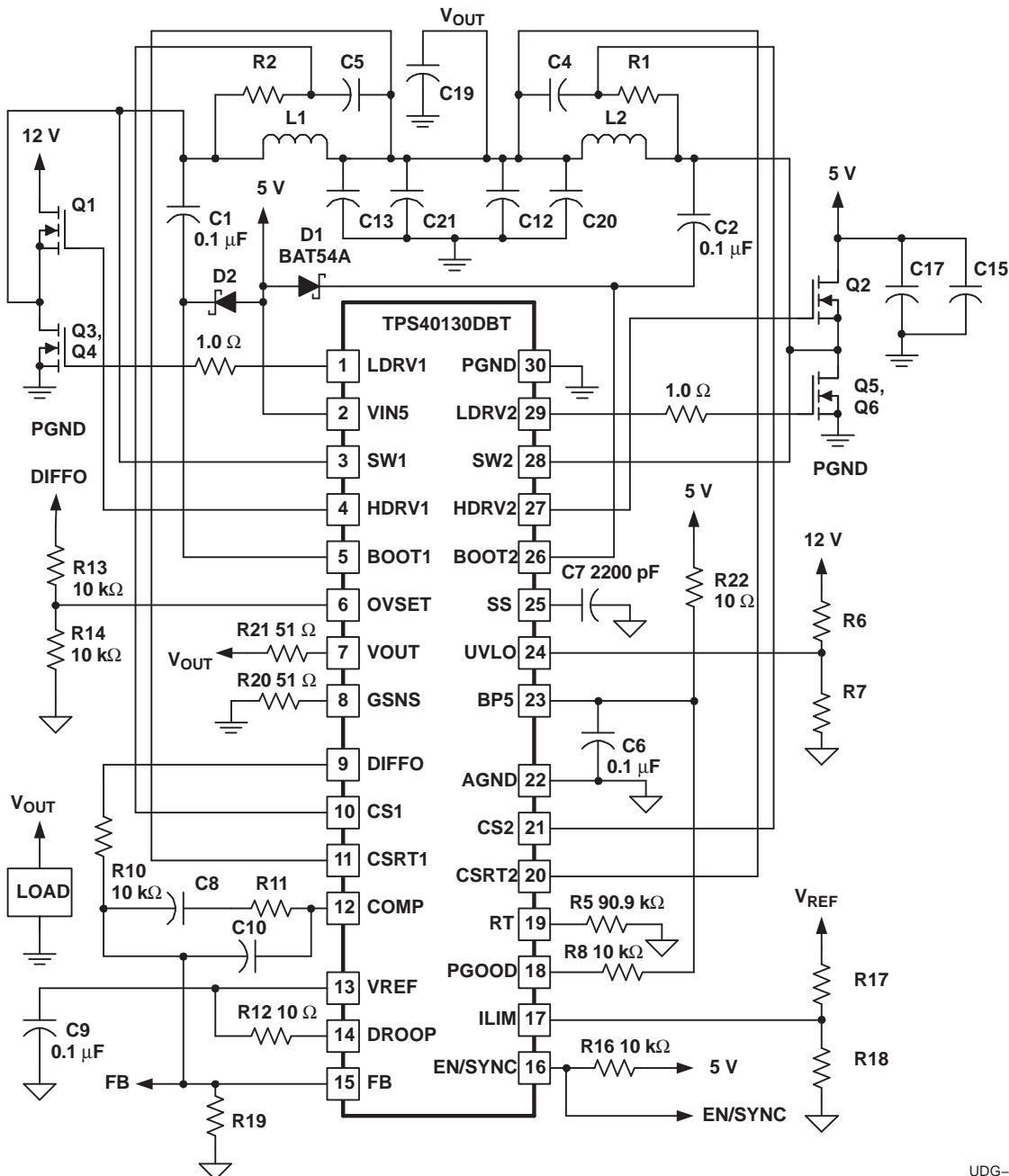
APPLICATION INFORMATION (continued)

$$\Delta I_{PEAK} \cong 0.067 \frac{(D1 - D2)}{DCR \times \eta}$$

(26)

where

- D1 is the duty cycle for V_{IN1}
- D2 is the duty cycle for V_{IN2}
- DCR is the resistance of the output inductor
- η is the efficiency of the converter

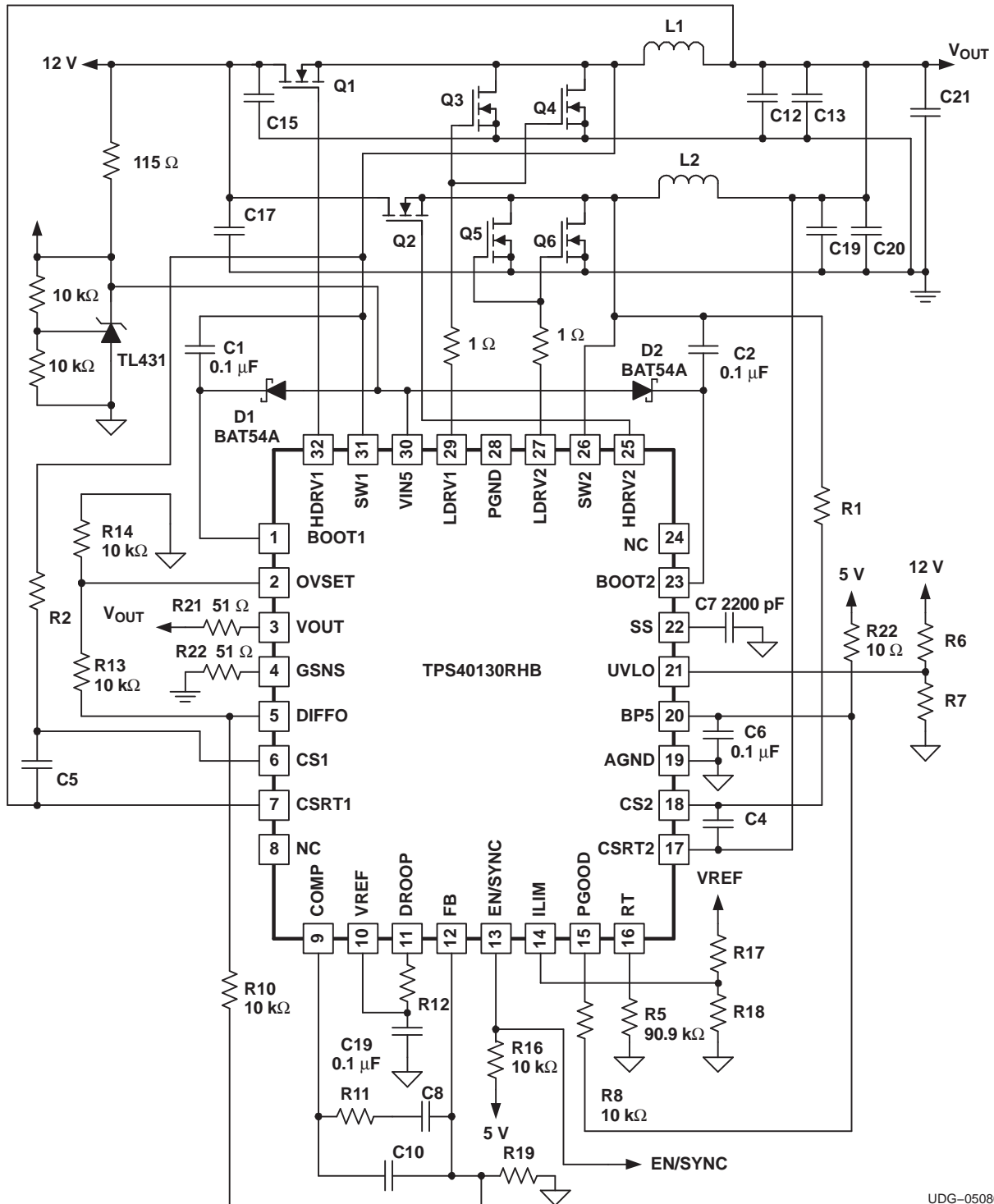


UDG-04089

Figure 15. Application Circuit with Input Voltage Power Sharing from Two Separate Voltage Sources

APPLICATION INFORMATION (continued)

Figure 16 shows the required 5-V input being generated with an external linear regulator. The regulator shown is the TL431 shunt regulator which is a very cost effective solution. Depending on the required current to the MOSFET gates, the 115 Ω resistor may need to be a ¼ W or ½ W resistor.

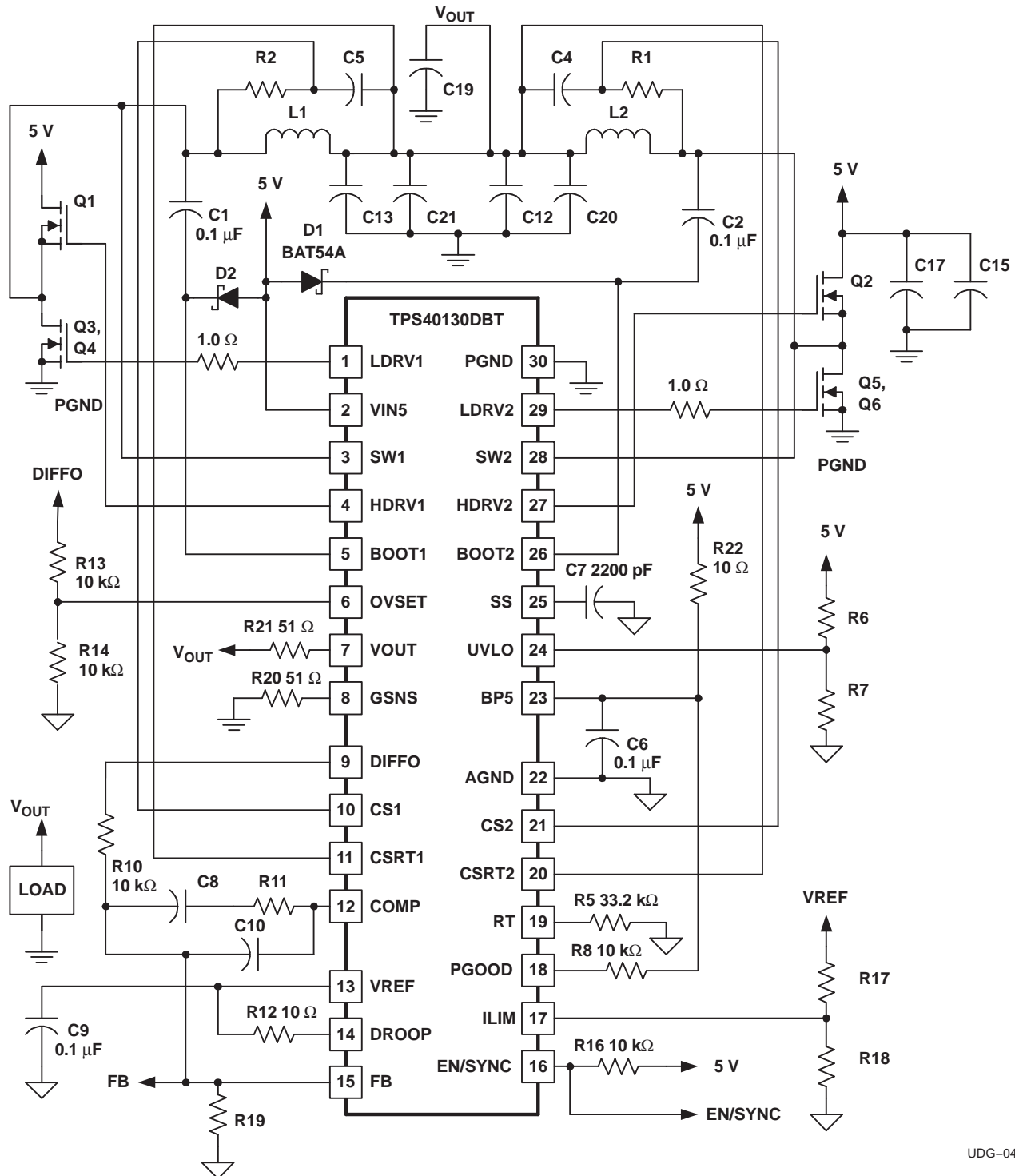


UDG-05080

Figure 16. Application Circuit with an External Linear Regulator Providing VIN5

APPLICATION INFORMATION (continued)

Figure 17 shows the configuration for efficiently operating at high frequencies. With the power stages input at 5 V, the switching losses in the upper MOSFET are significantly reduced. The upper MOSFET should be selected for lower $R_{DS(on)}$ because the conduction losses are somewhat higher at the higher duty cycle.

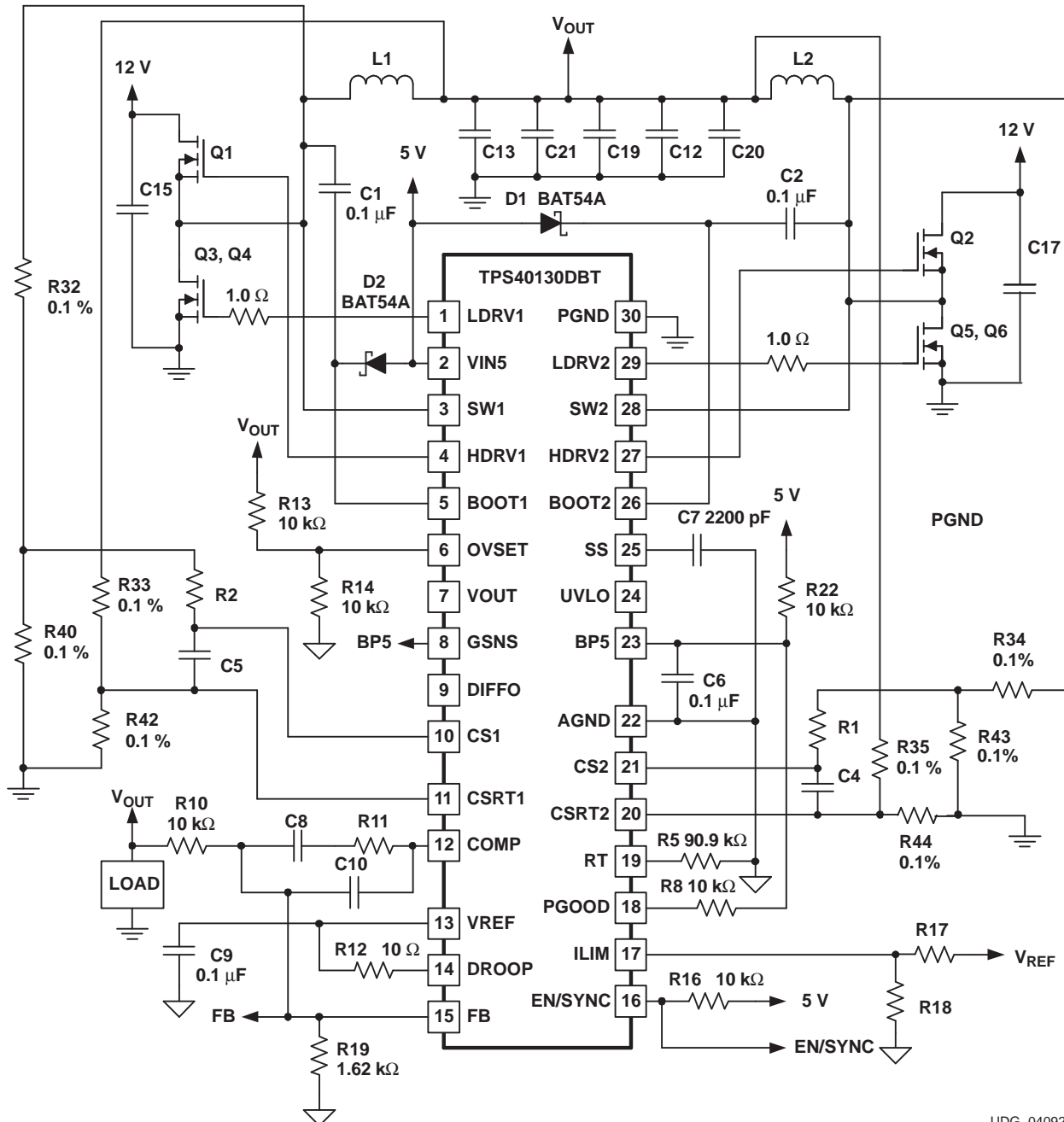


UDG-04091

Figure 17. Application Circuit For High-Frequency Operation With Input Voltage of 5 V

APPLICATION INFORMATION (continued)

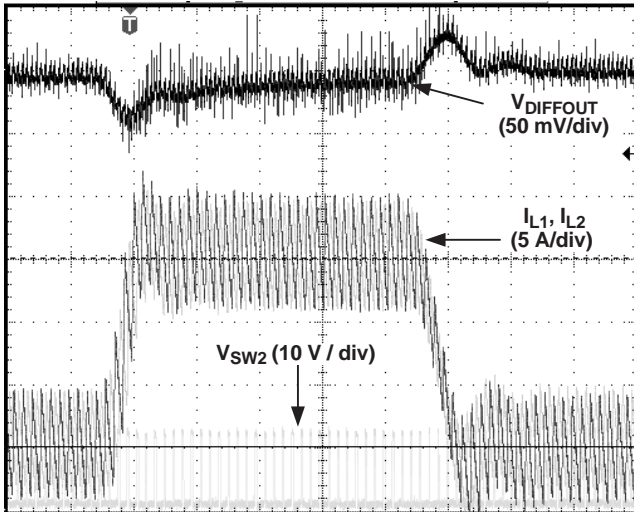
Figure 18 shows how to configure for a 5-V output. The resistor dividers on the CSx and CSRTx inputs are necessary to reduce the common mode voltage into the current sense amplifiers. The differential amplifier is not used because with a 5-V output, remote sensing is not generally necessary. If the differential Amplifier is necessary, a voltage divider of 2/3 should be used and the magnitude of the resistors should be about 500 Ω and 1 kΩ.



UDG-04092

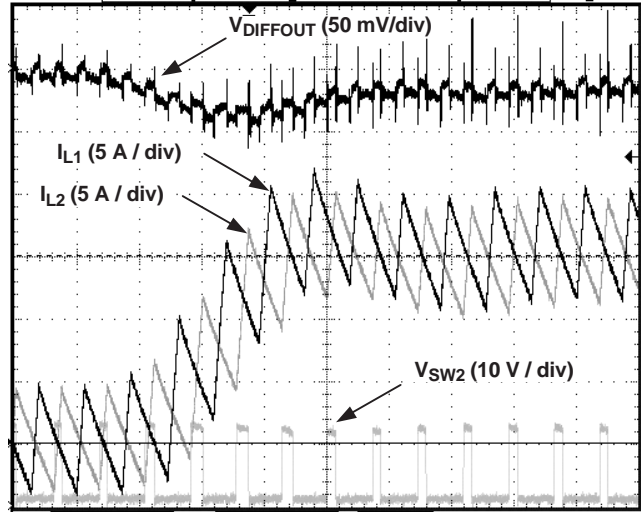
Figure 18. Application Circuit for Providing 5-V Output

TYPICAL CHARACTERISTICS



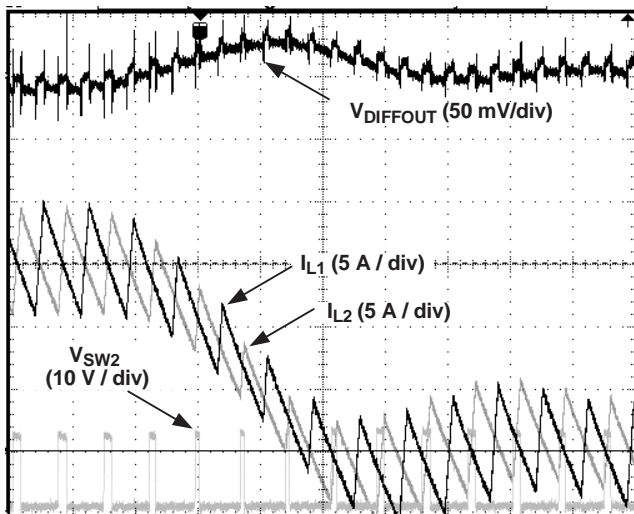
t – Time – 20 μ s/div

Figure 19. Load Transient



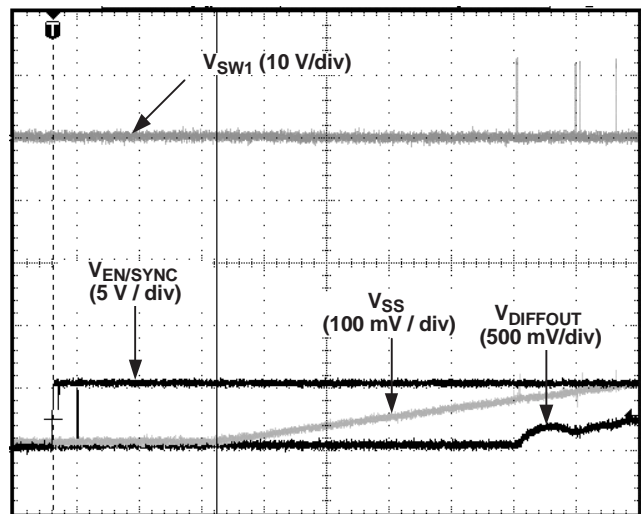
t – Time – 4 μ s/div

Figure 20. Load Transient Rising Edge



t – Time – 4 μ s/div

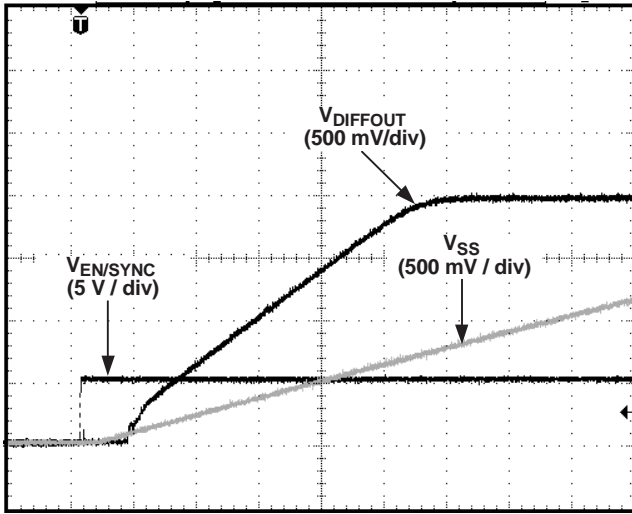
Figure 21. Load Transient Falling Edge



t – Time – 40 μ s/div

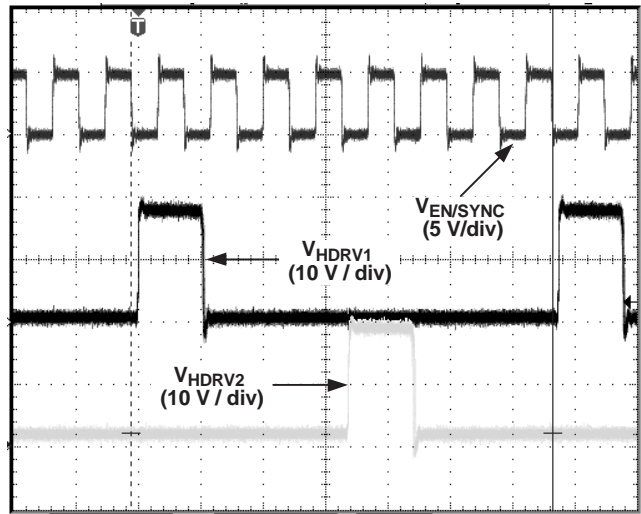
Figure 22. Start-Up with EN/SYNC and Showing Soft-Wait Time

TYPICAL CHARACTERISTICS (continued)



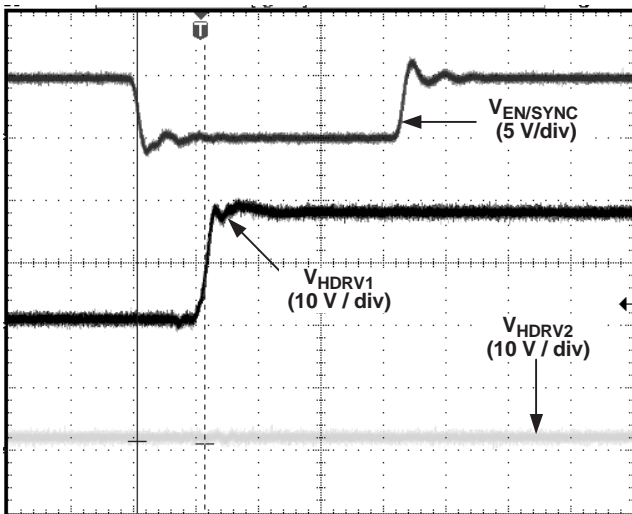
t – Time – 400 μs/div

Figure 23. Start-Up with EN/SYNC



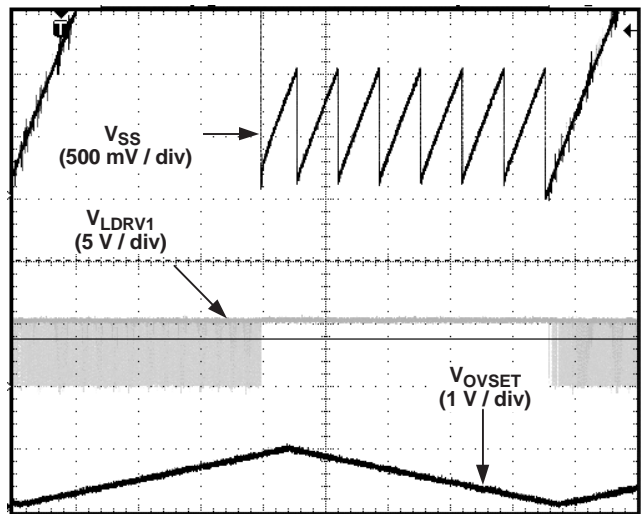
t – Time – 400 ns/div

Figure 24. External Clock on EN/SYNC



t – Time – 40 ns/div

Figure 25. External Clock on EN/SYN and Delay to HDRV



t – Time – 4 ms/div

Figure 26. Overvoltage, Latch and Re-Start

TYPICAL CHARACTERISTICS (continued)

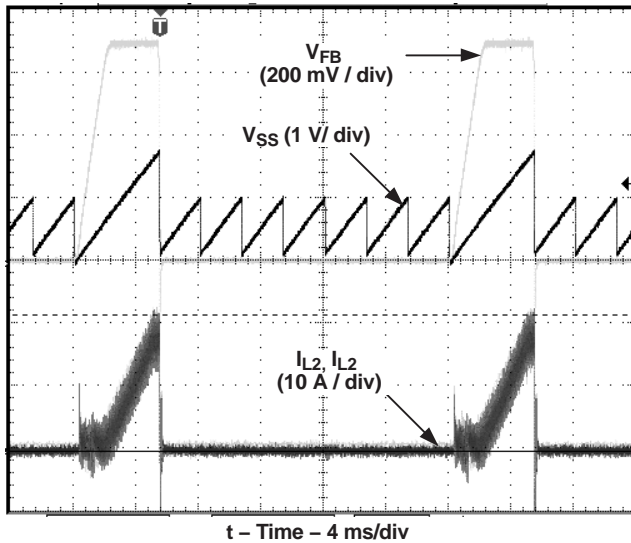


Figure 27. Overcurrent, Hiccup Mode

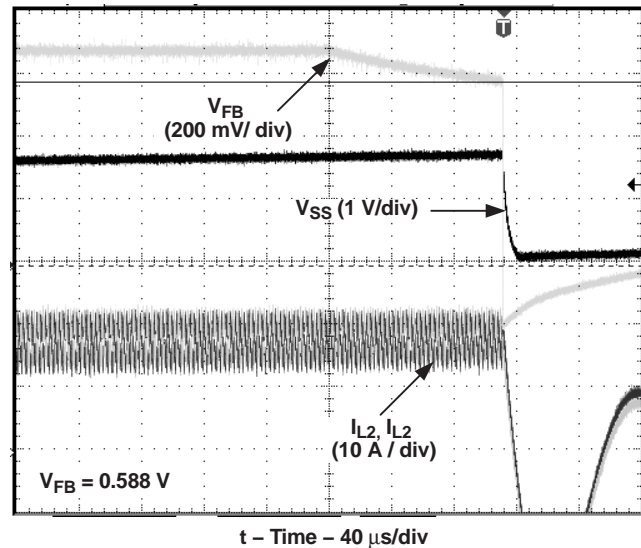


Figure 28. Overcurrent

LAYOUT CONSIDERATIONS

Introduction

Any pin number references are for the DBT, TSSOP package. There are two general classes of signals to consider for proper layout, high-current switching and low-level analog. Refer to [Figure 13](#) for references to components. A printed wiring board (PWB) with a minimum of four layers should be used.

Two Ground Planes

A basic requirement is two separate ground planes that ultimately get connected together at a point where no switching currents are present, the power ground (PGND) and the analog ground (AGND). They should be implemented as split planes on the top and bottom layers. The PGND is used for all high-current signals including LDRV1, LDRV2, lower MOSFETs and input and output decoupling capacitors. PGND should be used on the top layer around the high current components and on the bottom layer as a minimum. The AGND is used for low level signals such as: soft-start, R_T , V_{REF} , FB, BP5 decoupling to AGND. AGND should be used on the top layer around the device and low level components and on the bottom layer as a minimum. The signals which connect to the two different ground planes are shown in [Figure 13](#) using different symbols for each ground.

Low-Level Signal Connections and Routing

Current Sense Signals

Using inductor current sense has advantages over using a low-value, high-power current-sense resistor, but attention must be paid to how the current sense signals are generated and routed.

Connection

Resistor R2 and capacitor C5 generate the current sense signal for phase 1 and resistor R1 and capacitor C4 generate the current sense signal for phase 2. The R2-C5 and R1-C4 components must be connected directly to the pads for L1 and L2, respectively.

LAYOUT CONSIDERATIONS (continued)

Routing

The traces that connect to C5 and C4 should be made directly at the capacitor(s) and routed on an internal signal plane to CS1, CSRT1 and CS2, CSRT2, respectively. In addition, a small value of R-C filter may be used on the CSx and CSRTx lines, with these components placed close to the device. A 5.1- Ω resistor in series with the CSx and CSRTx lines and a 100-pF capacitor between the CSx and CSRTx lines, provides additional filtering, a prudent measure since the level of switching noise in a given layout is not fully known until the board is being tested for the first time.

Differential Amplifier Signals

The differential amplifier provides optimum regulation at the load point.

Connection

The signal connections for VOUT and GSNS should be made across the closest capacitor to the load point. This ensures the most accurate DC sensing and most noise free connection also.

Routing

Since the load point may be physically several inches, or more, from the device, it is very likely that the VOUT and GSNS inputs to the differential amplifier are corrupted by switching noise. The signals should be routed on an internal layer, and the R-C filter approach recommended for the CSx and CSRTx lines is applicable for these lines as well.

High-Current Connections and Routing

Device Decoupling for VIN5 and BP5

The 1.0- μ F decoupling capacitor for VIN5 should be placed close to pins 1 and 30 of the device. The decoupling capacitor for BP5 should be placed close to pins 22 and 23 of the device.

Symmetry

Symmetry is especially important in the power processing components when considering the device placement between the two phases. Input ceramic decoupling capacitors should be placed close to the upper MOSFETs and the current path from the upper MOSFET drain to the lower MOSFET source should be on the PGND with maximum copper area. Output capacitors should be placed symmetrically between the output inductor and lower MOSFET for each phase.

SW Node

The SW node consists of the source of the upper MOSFET, the drain of the lower MOSFET, and the output inductor. These components should be placed to minimize the area of the SW node. The area of the SW node determines the amount of stray capacitance and inductance that causes ringing during switching transitions.

Lower MOSFET Gate Drive, LDRV1 and LDRV2

A resistor, with a value of between approximately 1.0 Ω and 2.2 Ω should be placed between LDRVx and the gate of the respective MOSFET. The resistors are necessary if the falling SW node pulls the gate voltage below GND. This can occur if the MOSFET Q_{GD} is larger than Q_{GS} . The traces for LDRVx should be wide, (0.05 to 0.1 inches) and routed on the top layer if possible. If routing must go to another layer, use multiple vias for interconnect. The return signal from the MOSFET drain to PGND on the device should be as wide as the return for LDRVx.

Upper MOSFET Gate Drive, HDRV1 and HDRV2

The traces for HDRVx and SWx should be wide, (0.05 to 0.1 inches), and routed on the top layer if possible. If routing must go to another layer, use multiple vias for interconnect.

PACKAGING INFORMATION

| Orderable part number | Status (1) | Material type (2) | Package Pins | Package qty Carrier | RoHS (3) | Lead finish/ Ball material (4) | MSL rating/ Peak reflow (5) | Op temp (°C) | Part marking (6) |
|-----------------------|---------------|----------------------|------------------|-----------------------|-------------|--------------------------------------|-----------------------------------|--------------|---------------------|
| TPS40130DBT | NRND | Production | TSSOP (DBT) 30 | 60 TUBE | Yes | NIPDAU | Level-2-260C-1 YEAR | -40 to 85 | TPS40130 |
| TPS40130DBT.A | NRND | Production | TSSOP (DBT) 30 | 60 TUBE | Yes | NIPDAU | Level-2-260C-1 YEAR | -40 to 85 | TPS40130 |
| TPS40130DBTR | NRND | Production | TSSOP (DBT) 30 | 2000 LARGE T&R | Yes | NIPDAU | Level-2-260C-1 YEAR | -40 to 85 | TPS40130 |
| TPS40130DBTR.A | NRND | Production | TSSOP (DBT) 30 | 2000 LARGE T&R | Yes | NIPDAU | Level-2-260C-1 YEAR | -40 to 85 | TPS40130 |
| TPS40130RHBR | NRND | Production | VQFN (RHB) 32 | 3000 LARGE T&R | Yes | NIPDAU | Level-2-260C-1 YEAR | -40 to 85 | TPS 40130 |
| TPS40130RHBR.A | NRND | Production | VQFN (RHB) 32 | 3000 LARGE T&R | Yes | NIPDAU | Level-2-260C-1 YEAR | -40 to 85 | TPS 40130 |
| TPS40130RHBT | NRND | Production | VQFN (RHB) 32 | 250 SMALL T&R | Yes | NIPDAU | Level-2-260C-1 YEAR | -40 to 85 | TPS 40130 |
| TPS40130RHBT.A | NRND | Production | VQFN (RHB) 32 | 250 SMALL T&R | Yes | NIPDAU | Level-2-260C-1 YEAR | -40 to 85 | TPS 40130 |

(1) Status: For more details on status, see our [product life cycle](#).

(2) Material type: When designated, preproduction parts are prototypes/experimental devices, and are not yet approved or released for full production. Testing and final process, including without limitation quality assurance, reliability performance testing, and/or process qualification, may not yet be complete, and this item is subject to further changes or possible discontinuation. If available for ordering, purchases will be subject to an additional waiver at checkout, and are intended for early internal evaluation purposes only. These items are sold without warranties of any kind.

(3) RoHS values: Yes, No, RoHS Exempt. See the [TI RoHS Statement](#) for additional information and value definition.

(4) Lead finish/Ball material: Parts may have multiple material finish options. Finish options are separated by a vertical ruled line. Lead finish/Ball material values may wrap to two lines if the finish value exceeds the maximum column width.

(5) MSL rating/Peak reflow: The moisture sensitivity level ratings and peak solder (reflow) temperatures. In the event that a part has multiple moisture sensitivity ratings, only the lowest level per JEDEC standards is shown. Refer to the shipping label for the actual reflow temperature that will be used to mount the part to the printed circuit board.

(6) Part marking: There may be an additional marking, which relates to the logo, the lot trace code information, or the environmental category of the part.

Multiple part markings will be inside parentheses. Only one part marking contained in parentheses and separated by a "-" will appear on a part. If a line is indented then it is a continuation of the previous line and the two combined represent the entire part marking for that device.

Important Information and Disclaimer: The information provided on this page represents TI's knowledge and belief as of the date that it is provided. TI bases its knowledge and belief on information provided by third parties, and makes no representation or warranty as to the accuracy of such information. Efforts are underway to better integrate information from third parties. TI has taken and continues to take reasonable steps to provide representative and accurate information but may not have conducted destructive testing or chemical analysis on incoming materials and chemicals. TI and TI suppliers consider certain information to be proprietary, and thus CAS numbers and other limited information may not be available for release.

In no event shall TI's liability arising out of such information exceed the total purchase price of the TI part(s) at issue in this document sold by TI to Customer on an annual basis.

TAPE AND REEL INFORMATION

QUADRANT ASSIGNMENTS FOR PIN 1 ORIENTATION IN TAPE


*All dimensions are nominal

| Device | Package Type | Package Drawing | Pins | SPQ | Reel Diameter (mm) | Reel Width W1 (mm) | A0 (mm) | B0 (mm) | K0 (mm) | P1 (mm) | W (mm) | Pin1 Quadrant |
|--------------|--------------|-----------------|------|------|--------------------|--------------------|---------|---------|---------|---------|--------|---------------|
| TPS40130DBTR | TSSOP | DBT | 30 | 2000 | 330.0 | 16.4 | 6.95 | 8.3 | 1.6 | 8.0 | 16.0 | Q1 |
| TPS40130RHBR | VQFN | RHB | 32 | 3000 | 330.0 | 12.4 | 5.3 | 5.3 | 1.5 | 8.0 | 12.0 | Q2 |
| TPS40130RHBT | VQFN | RHB | 32 | 250 | 180.0 | 12.4 | 5.3 | 5.3 | 1.5 | 8.0 | 12.0 | Q2 |

TAPE AND REEL BOX DIMENSIONS


*All dimensions are nominal

| Device | Package Type | Package Drawing | Pins | SPQ | Length (mm) | Width (mm) | Height (mm) |
|--------------|--------------|-----------------|------|------|-------------|------------|-------------|
| TPS40130DBTR | TSSOP | DBT | 30 | 2000 | 353.0 | 353.0 | 32.0 |
| TPS40130RHBR | VQFN | RHB | 32 | 3000 | 353.0 | 353.0 | 32.0 |
| TPS40130RHBT | VQFN | RHB | 32 | 250 | 213.0 | 191.0 | 35.0 |

TUBE


*All dimensions are nominal

| Device | Package Name | Package Type | Pins | SPQ | L (mm) | W (mm) | T (μm) | B (mm) |
|---------------|--------------|--------------|------|-----|--------|--------|--------|--------|
| TPS40130DBT | DBT | TSSOP | 30 | 60 | 530 | 10.2 | 3600 | 3.5 |
| TPS40130DBT.A | DBT | TSSOP | 30 | 60 | 530 | 10.2 | 3600 | 3.5 |

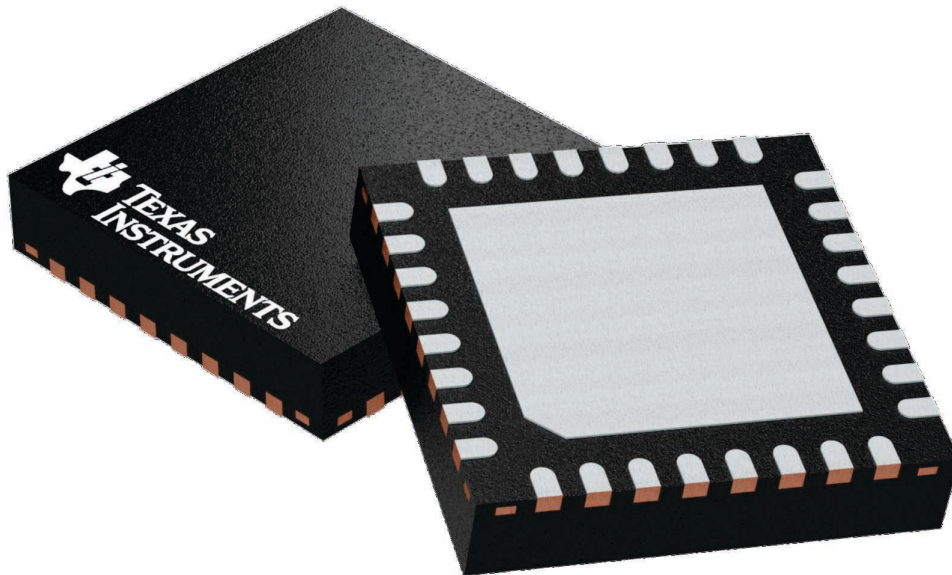
GENERIC PACKAGE VIEW

RHB 32

VQFN - 1 mm max height

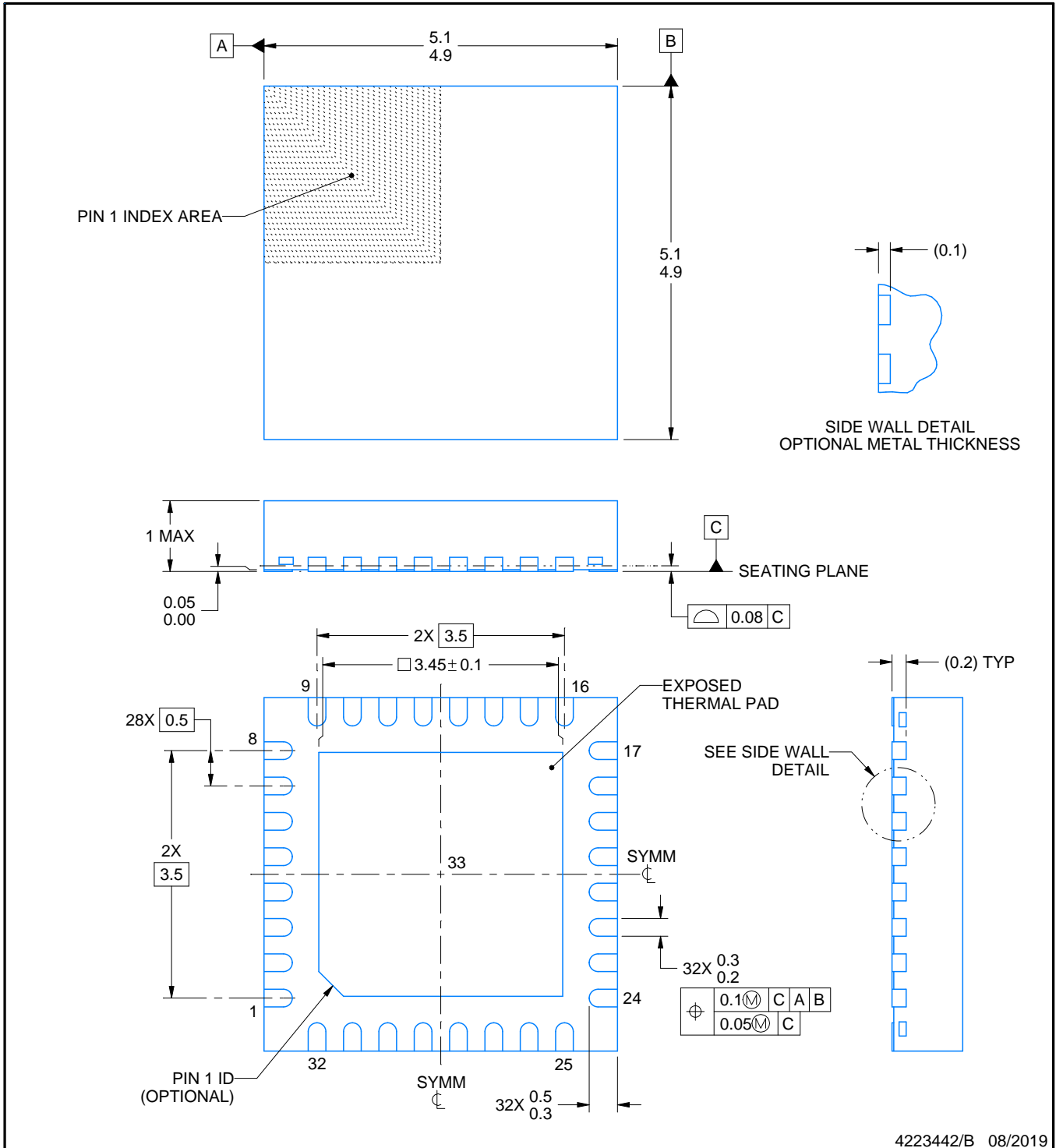
5 x 5, 0.5 mm pitch

PLASTIC QUAD FLATPACK - NO LEAD



Images above are just a representation of the package family, actual package may vary.
Refer to the product data sheet for package details.

4224745/A



4223442/B 08/2019

NOTES:

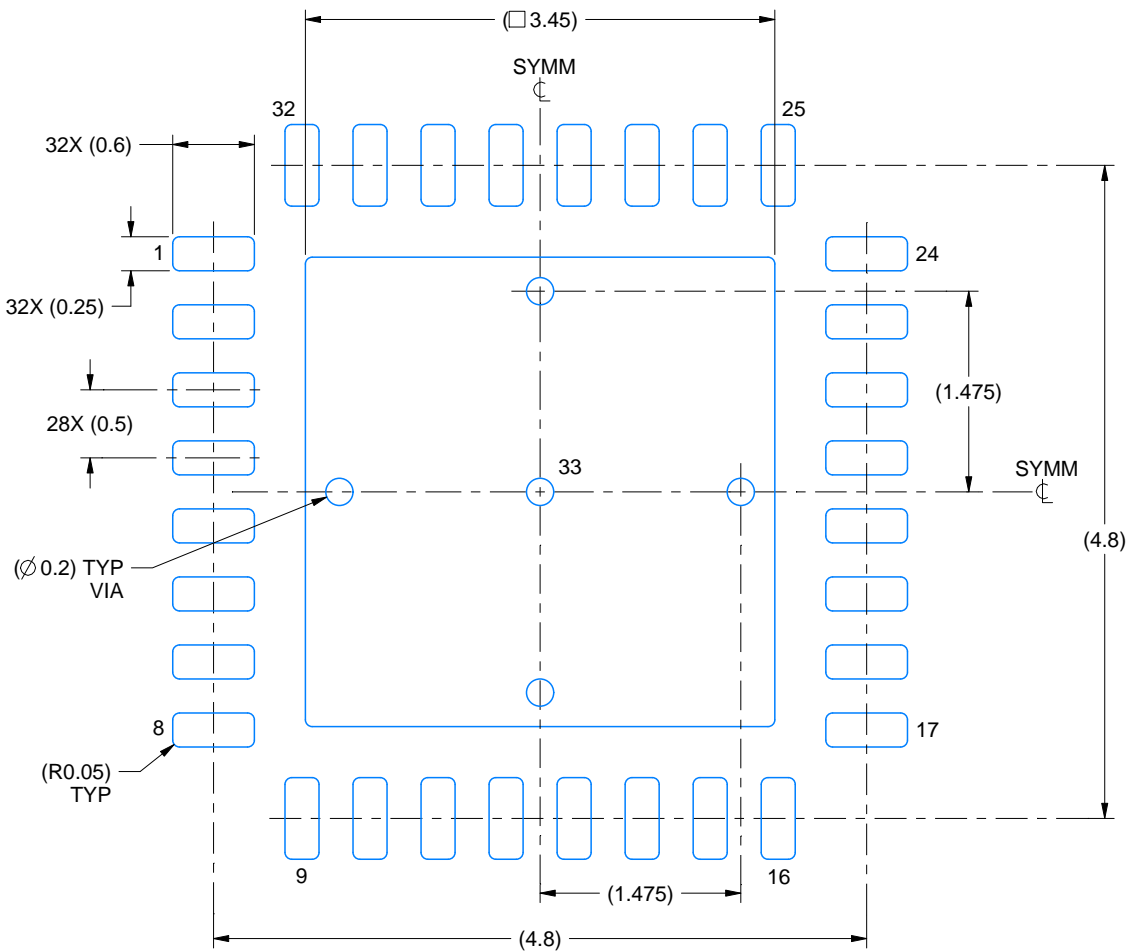
1. All linear dimensions are in millimeters. Any dimensions in parenthesis are for reference only. Dimensioning and tolerancing per ASME Y14.5M.
2. This drawing is subject to change without notice.
3. The package thermal pad must be soldered to the printed circuit board for thermal and mechanical performance.

EXAMPLE BOARD LAYOUT

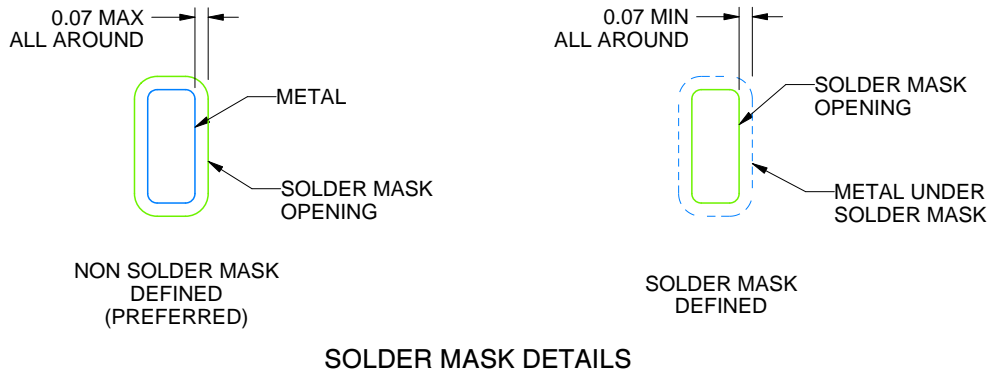
RHB0032E

VQFN - 1 mm max height

PLASTIC QUAD FLATPACK - NO LEAD



LAND PATTERN EXAMPLE
SCALE:18X



SOLDER MASK DETAILS

4223442/B 08/2019

NOTES: (continued)

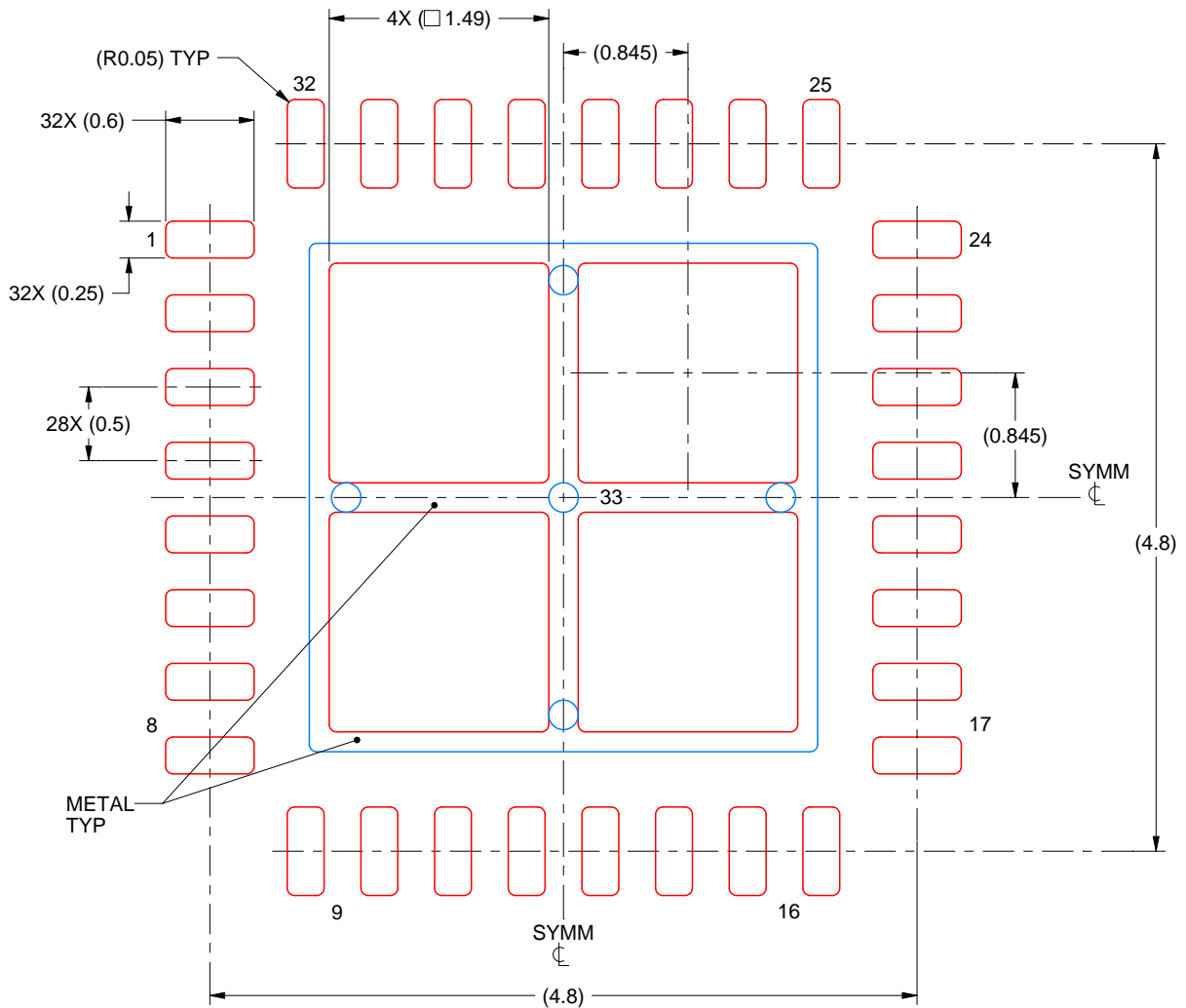
4. This package is designed to be soldered to a thermal pad on the board. For more information, see Texas Instruments literature number SLUA271 (www.ti.com/lit/slue271).
5. Vias are optional depending on application, refer to device data sheet. If any vias are implemented, refer to their locations shown on this view. It is recommended that vias under paste be filled, plugged or tented.

EXAMPLE STENCIL DESIGN

RHB0032E

VQFN - 1 mm max height

PLASTIC QUAD FLATPACK - NO LEAD



SOLDER PASTE EXAMPLE
 BASED ON 0.125 mm THICK STENCIL

EXPOSED PAD 33:
 75% PRINTED SOLDER COVERAGE BY AREA UNDER PACKAGE
 SCALE:20X

4223442/B 08/2019

NOTES: (continued)

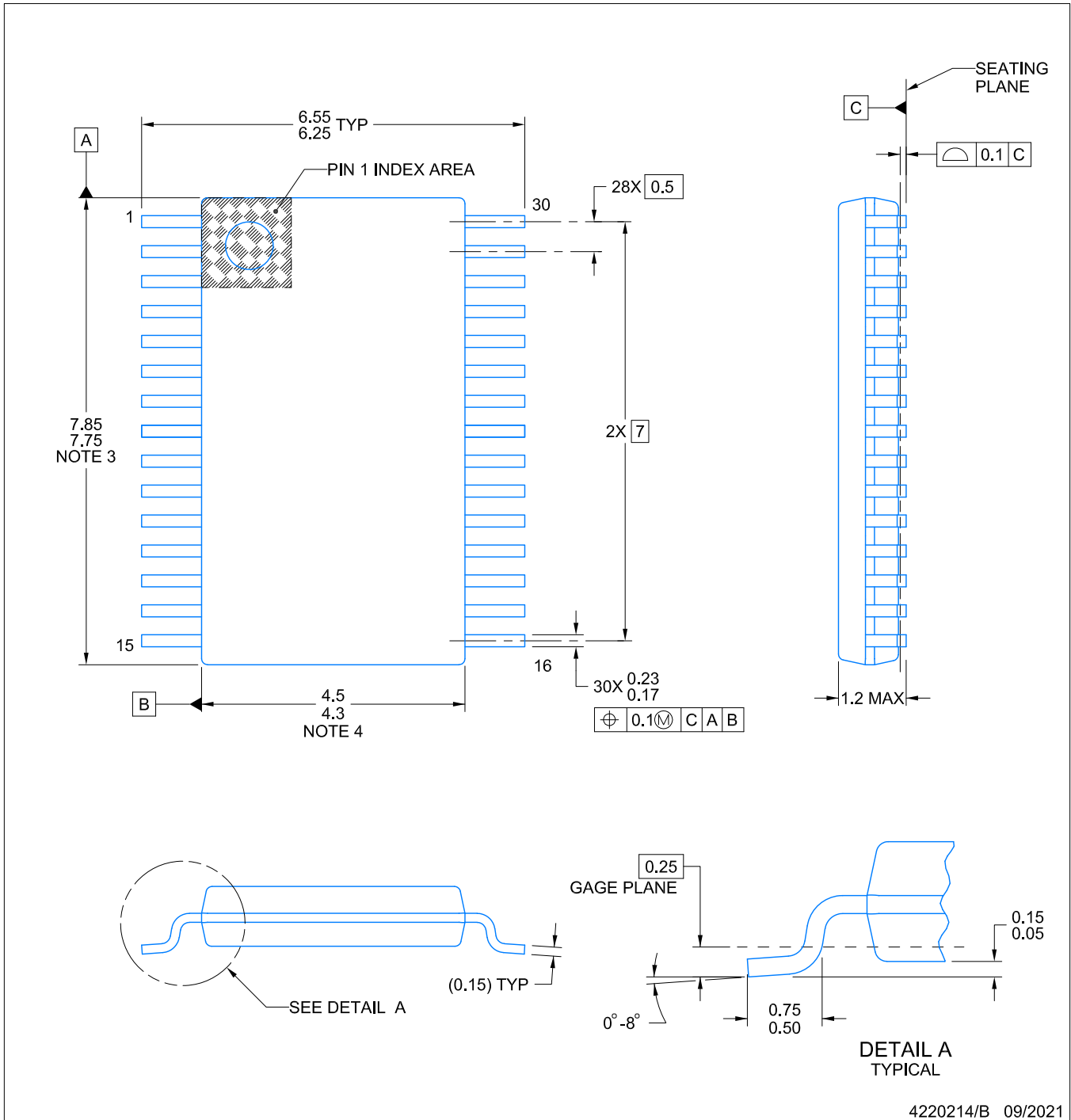
6. Laser cutting apertures with trapezoidal walls and rounded corners may offer better paste release. IPC-7525 may have alternate design recommendations.

PACKAGE OUTLINE

DBT0030A

TSSOP - 1.2 mm max height

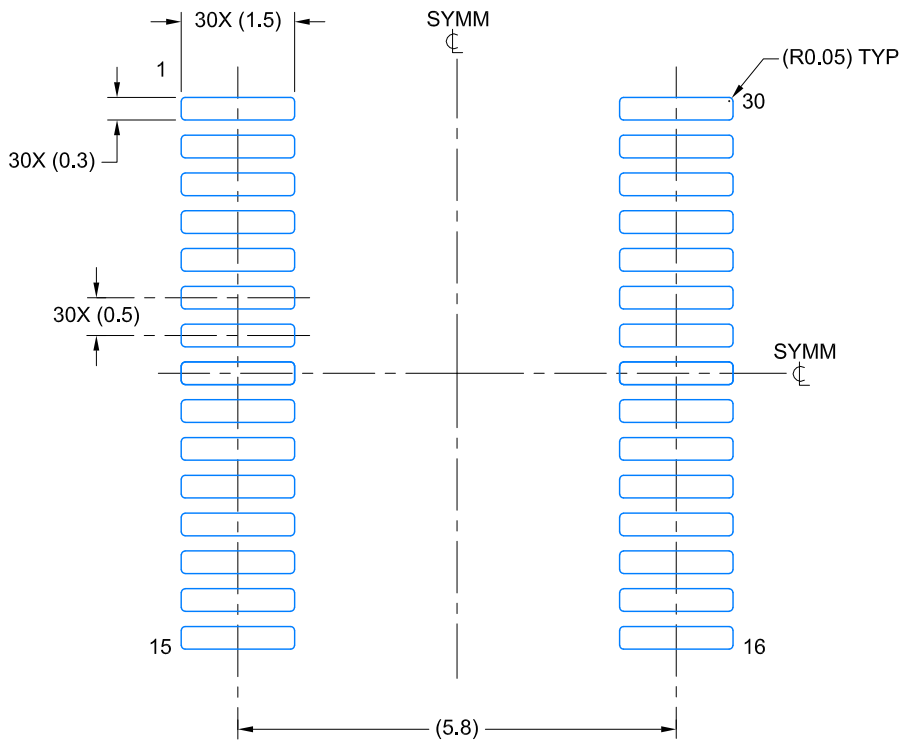
SMALL OUTLINE PACKAGE



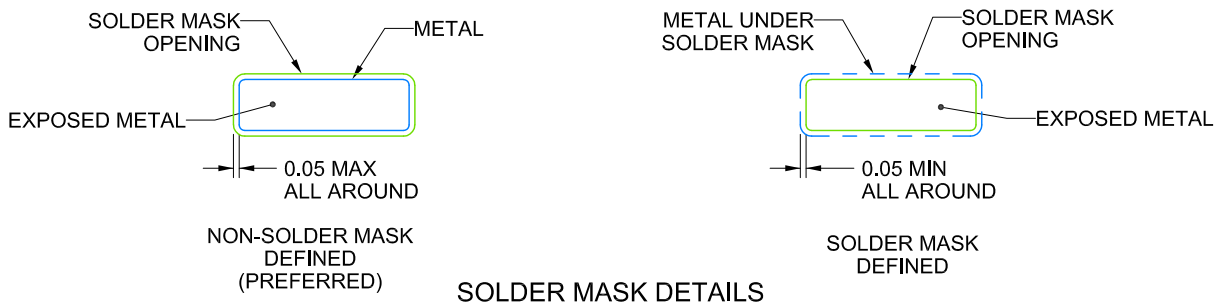
4220214/B 09/2021

NOTES:

1. All linear dimensions are in millimeters. Any dimensions in parenthesis are for reference only. Dimensioning and tolerancing per ASME Y14.5M.
2. This drawing is subject to change without notice.
3. This dimension does not include mold flash, protrusions, or gate burrs. Mold flash, protrusions, or gate burrs shall not exceed 0.15 mm per side.
4. This dimension does not include interlead flash. Interlead flash shall not exceed 0.25 mm per side.
5. Reference JEDEC registration MO-153.



LAND PATTERN EXAMPLE
EXPOSED METAL SHOWN
SCALE: 10X



SOLDER MASK DETAILS

4220214/B 09/2021

NOTES: (continued)

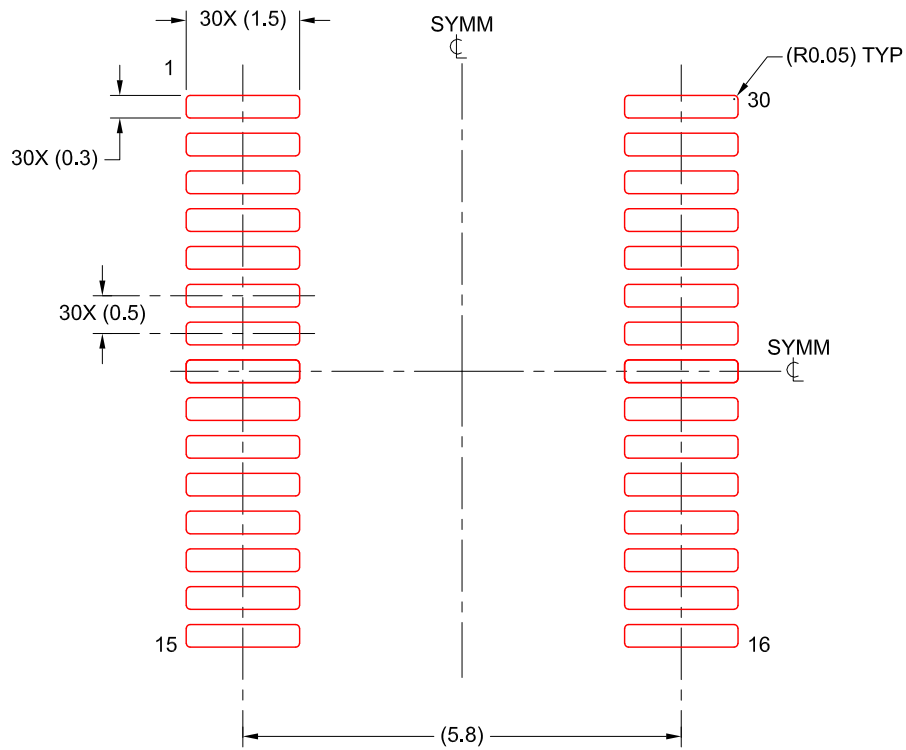
- 6. Publication IPC-7351 may have alternate designs.
- 7. Solder mask tolerances between and around signal pads can vary based on board fabrication site.

EXAMPLE STENCIL DESIGN

DBT0030A

TSSOP - 1.2 mm max height

SMALL OUTLINE PACKAGE



SOLDER PASTE EXAMPLE
BASED ON 0.125 mm THICK STENCIL
SCALE: 10X

4220214/B 09/2021

NOTES: (continued)

8. Laser cutting apertures with trapezoidal walls and rounded corners may offer better paste release. IPC-7525 may have alternate design recommendations.
9. Board assembly site may have different recommendations for stencil design.

IMPORTANT NOTICE AND DISCLAIMER

TI PROVIDES TECHNICAL AND RELIABILITY DATA (INCLUDING DATASHEETS), DESIGN RESOURCES (INCLUDING REFERENCE DESIGNS), APPLICATION OR OTHER DESIGN ADVICE, WEB TOOLS, SAFETY INFORMATION, AND OTHER RESOURCES "AS IS" AND WITH ALL FAULTS, AND DISCLAIMS ALL WARRANTIES, EXPRESS AND IMPLIED, INCLUDING WITHOUT LIMITATION ANY IMPLIED WARRANTIES OF MERCHANTABILITY, FITNESS FOR A PARTICULAR PURPOSE OR NON-INFRINGEMENT OF THIRD PARTY INTELLECTUAL PROPERTY RIGHTS.

These resources are intended for skilled developers designing with TI products. You are solely responsible for (1) selecting the appropriate TI products for your application, (2) designing, validating and testing your application, and (3) ensuring your application meets applicable standards, and any other safety, security, regulatory or other requirements.

These resources are subject to change without notice. TI grants you permission to use these resources only for development of an application that uses the TI products described in the resource. Other reproduction and display of these resources is prohibited. No license is granted to any other TI intellectual property right or to any third party intellectual property right. TI disclaims responsibility for, and you fully indemnify TI and its representatives against any claims, damages, costs, losses, and liabilities arising out of your use of these resources.

TI's products are provided subject to [TI's Terms of Sale](#), [TI's General Quality Guidelines](#), or other applicable terms available either on ti.com or provided in conjunction with such TI products. TI's provision of these resources does not expand or otherwise alter TI's applicable warranties or warranty disclaimers for TI products. Unless TI explicitly designates a product as custom or customer-specified, TI products are standard, catalog, general purpose devices.

TI objects to and rejects any additional or different terms you may propose.

Copyright © 2025, Texas Instruments Incorporated

Last updated 10/2025