

TPS63025x High Current, High Efficiency Single Inductor Buck-Boost Converter

1 Features

- Real Buck or Boost Operation with Automatic and Seamless Transition Between Buck and Boost Operation
- 2.3 V to 5.5 V input voltage range
- 2 A Continuous Output Current : $V_{IN} \geq 2.5 V$, $V_{OUT} = 3.3 V$
- Adjustable and Fixed Output Voltage
- Efficiency up to 95% in Buck or Boost Mode and up to 97% when $V_{IN} = V_{OUT}$
- 2.5MHz Typical Switching Frequency
- 35- μA Operating Quiescent Current
- Integrated Soft Start
- Power Save Mode
- True Shutdown Function
- Output Capacitor Discharge Function
- Over-Temperature Protection and Over-Current Protection
- Wide Capacitance Selection
- Small 1.766 mm x 2.086 mm, 20-pin WCSP and 2.5 mm x 3 mm, 14-pin Hot Rod

2 Applications

- Cellular Phones, Smart Phones
- Tablets PC
- PC and Smart Phone accessories
- Point of load regulation
- Battery Powered Applications

3 Description

The TPS63025x are high efficiency, low quiescent current buck-boost converters suitable for application where the input voltage is higher or lower than the output. Output currents can go as high as 2 A in boost mode and as high as 4 A in buck mode. The maximum average current in the switches is limited to a typical value of 4 A. The TPS63025x regulates the output voltage over the complete input voltage range by automatically switching between buck or boost mode depending on the input voltage ensuring a seamless transition between modes. The buck-boost converter is based on a fixed frequency, pulse-width-modulation (PWM) controller using synchronous rectification to obtain highest efficiency. At low load currents, the converter enters Power Save Mode to maintain high efficiency over the complete load current range. There is a PFM/PWM pin that allows the user to choose between automatic PFM/PWM mode operation and forced PWM operation. During PWM mode a fixed-frequency of typically 2.5 MHz is used. The output voltage is programmable using an external resistor divider, or is fixed internally on the chip. The converter can be disabled to minimize battery drain. During shutdown, the load is disconnected from the battery. The device is packaged in a 20-pin WCSP package measuring 1.766 mm x 2.086mm and 14-pin HotRod package measuring 2.5 mm x 3mm.

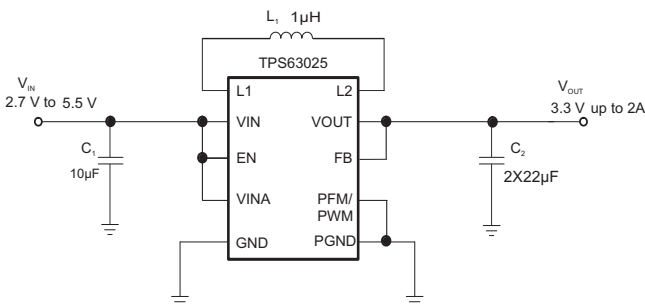
Device Information⁽¹⁾

PART NUMBER	PACKAGE	BODY SIZE (NOM)
TPS63025x	DSBGA (20)	1.766 mm x 2.086 mm
	VQFN (14) ⁽²⁾	2.5 mm x 3 mm

(1) For all available packages, see the orderable addendum at the end of the datasheet.

(2) Product Preview

4 Typical Application



Efficiency vs Output Current

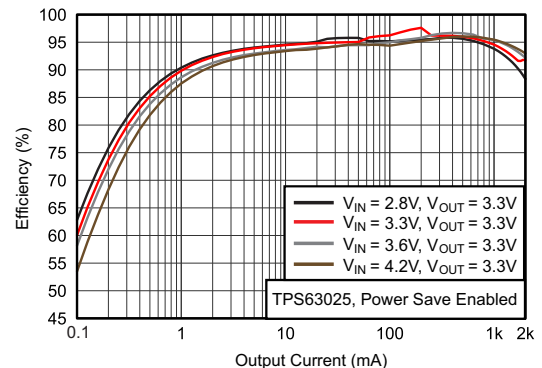


Table of Contents

1 Features	1	9.3 Feature Description.....	8
2 Applications	1	9.4 Device Functional Modes.....	10
3 Description	1	10 Application and Implementation	13
4 Typical Application	1	10.1 Application Information.....	13
5 Revision History	2	10.2 Typical Application	13
6 Device Comparison Table	3	11 Power Supply Recommendations	20
7 Pin Configuration and Functions	3	12 Layout	20
8 Specifications	4	12.1 Layout Guidelines	20
8.1 Absolute Maximum Ratings	4	12.2 Layout Example	20
8.2 ESD Ratings	4	13 Device and Documentation Support	21
8.3 Recommended Operating Conditions.....	4	13.1 Device Support	21
8.4 Thermal Information	5	13.2 Documentation Support	21
8.5 Electrical Characteristics.....	5	13.3 Related Links	21
8.6 Timing Requirements.....	6	13.4 Trademarks	21
8.7 Typical Characteristics	6	13.5 Electrostatic Discharge Caution.....	21
9 Detailed Description	7	13.6 Glossary	21
9.1 Overview	7	14 Mechanical, Packaging, and Orderable Information	21
9.2 Functional Block Diagram	7		

5 Revision History

NOTE: Page numbers for previous revisions may differ from page numbers in the current version.

Changes from Revision A (May 2014) to Revision B	Page
• Added VQFN (RNC) package option	3
• Changed UVLO in the <i>Electrical Characteristics</i> From: MAX = 1.9 V To: 2 V	5

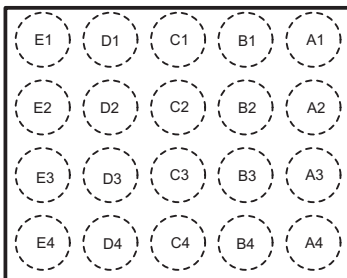
Changes from Original (May 2014) to Revision A	Page
• Added devices TPS630250, TPS630251, and TPS630252 voltage options	1
• Added Specifications, Detailed Description section, Application and Implementation section, Power Supply Recommendations section, Layout section, Device and Documentation Support section; and, changed status to Production Data.	4
• Changed Load Regulation Typ spec from "125 mV/A" to "2.5 mV/A"	6

6 Device Comparison Table

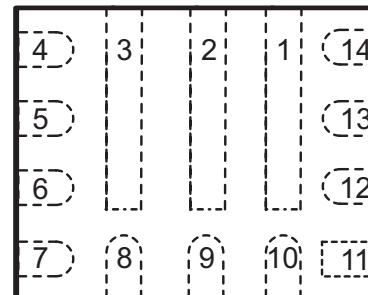
PART NUMBER	VOUT
TPS630250	Adjustable
TPS630251	2.9 V
TPS630252	3.3 V

7 Pin Configuration and Functions

**DSBGA 20-Pin
YFF Package
Top View**



**VQFN 14-Pin
RNC Package
Top View**



Product Preview

Pin Functions

NAME	PIN		I/O	DESCRIPTION
	DSBGA	RNC		
VOUT	A1,A2,A3	12, 13, 14	PWR	Buck-Boost converter output
FB	A4	11	IN	Voltage feedback of adjustable version, must be connected to VOUT on fixed output voltage versions
L2	B1,B2,B3	1	PWR	Connection for Inductor
PFM/PWM	B4	10	IN	set low for PFM mode, set high for forced PWM mode. It must not be left floating
PGND	C1,C2,C3	2	PWR	Power Ground
GND	C4	9	PWR	Analog Ground
L1	D1,D2,D3	3	PWR	Connection for Inductor
EN	D4	8	IN	Enable input. Set high to enable and low to disable. It must not be left floating.
VIN	E1,E2,E3	4, 5, 6	PWR	Supply voltage for power stage
VINA	E4	7	PWR	Supply voltage for control stage.

8 Specifications

8.1 Absolute Maximum Ratings⁽¹⁾

over junction temperature range (unless otherwise noted)

		VALUE		UNIT
		MIN	MAX	
Voltage ⁽²⁾	VIN, L1, EN, VINA, PFM/PWM	-0.3	7	V
	VOUT, FB	-0.3	4	V
	L2 ⁽³⁾	-0.3	4	V
	L2 ⁽⁴⁾	-0.3	5.5	V
Input current	Continuous average current into L1 ⁽⁵⁾		2.7	A
T _J	Operating junction temperature	-40	125	°C
T _{stg}	Storage temperature range	-65	150	

- (1) Stresses beyond those listed under *Absolute Maximum Ratings* may cause permanent damage to the device. These are stress ratings only, which do not imply functional operation of the device at these or any other conditions beyond those indicated under *Recommended Operating Conditions*. Exposure to absolute-maximum-rated conditions for extended periods may affect device reliability.
- (2) All voltage values are with respect to network ground pin.
- (3) DC voltage rating.
- (4) AC voltage rating.
- (5) Maximum continuous average input current 3.5A, under those condition do not exceed 105°C for more than 25% operating time.

8.2 ESD Ratings

		VALUE	UNIT
V _(ESD) Electrostatic discharge	Human-body model (HBM), per ANSI/ESDA/JEDEC JS-001 ⁽¹⁾	±2000	V
	Charged-device model (CDM), per JEDEC specification JESD22-C101 ⁽²⁾	±700	

- (1) JEDEC document JEP155 states that 500-V HBM allows safe manufacturing with a standard ESD control process.
- (2) JEDEC document JEP157 states that 250-V CDM allows safe manufacturing with a standard ESD control process.

8.3 Recommended Operating Conditions⁽¹⁾

		MIN	TYP	MAX	UNIT
V _{IN}	Input Voltage Range	2.3		5.5	V
V _{OUT}	Output Voltage	2.5		3.6	V
L	Inductance ⁽²⁾	0.5	1	1.3	μH
C _{out}	Output Capacitance ⁽³⁾	20			μF
T _A	Operating ambient temperature	-40		85	°C
T _J	Operating virtual junction temperature	-40		125	°C

- (1) Refer to the Application Information section for further information
- (2) Effective inductance value at operating condition. The nominal value given matches a typical inductor to be chosen to meet the inductance required.
- (3) Due to the dc bias effect of ceramic capacitors, the effective capacitance is lower than the nominal value when a voltage is applied. This is why the capacitance is specified to allow the selection of the nominal capacitor required with the dc bias effect for this type of capacitor. The nominal value given matches a typical capacitor to be chosen to meet the minimum capacitance required.

8.4 Thermal Information

THERMAL METRIC ⁽¹⁾		TPS63025x		UNIT
		YFF (DSBGA)	RNC (VQFN) ⁽²⁾	
		20 PINS	14 PINS	
R _{θJA}	Junction-to-ambient thermal resistance	71.1	69.2	°C/W
R _{θJC(top)}	Junction-to-case (top) thermal resistance	0.5	38.2	
R _{θJB}	Junction-to-board thermal resistance	11.4	12.7	
ψ _{JT}	Junction-to-top characterization parameter	2	1.9	
ψ _{JB}	Junction-to-board characterization parameter	11.3	12.7	
R _{θJC(bot)}	Junction-to-case (bottom) thermal resistance	N/A	N/A	

(1) For more information about traditional and new thermal metrics, see the *IC Package Thermal Metrics* application report, [SPRA953](#).

(2) Product Preview

8.5 Electrical Characteristics

V_{IN} = 2.3V to 5.5V, T_J = -40°C to 125°C, typical values are at T_A = 25°C (unless otherwise noted)

PARAMETER		TEST CONDITIONS	MIN	TYP	MAX	UNIT
SUPPLY						
V _{IN}	Input voltage range		2.3		5.5	V
V _{IN_Min}	Minimum input voltage to turn on into full load	I _{OUT} = 2A		2.8		V
I _{OUT}	Continuous Output Current ⁽¹⁾	V _{IN} >= 2.5V, V _{OUT} = 3.3V		2		A
I _Q	Quiescent current	V _{IN}		35	70	μA
		V _{OUT}	I _{OUT} = 0mA, EN = V _{IN} = 3.6V, V _{OUT} = 3.3V T _J = -40°C to 85°C, not switching		12	μA
I _{sd}	Shutdown current	EN = low, T _J = -40°C to 85°C		0.1	2	μA
UVLO	Under voltage lockout threshold	V _{IN} falling	1.6	1.7	2	V
	Under voltage lockout hysteresis			180		mV
	Thermal shutdown	Temperature rising		140		°C
	Thermal Shutdown hysteresis			20		°C
LOGIC SIGNALS EN, PFM/PWM						
V _{IH}	High level input voltage	V _{IN} = 2.3V to 5.5V	1.2			V
V _{IL}	Low level input voltage	V _{IN} = 2.3V to 5.5V			0.4	V
I _{lkg}	Input leakage current	EN = GND or V _{IN}		0.01	0.2	μA
OUTPUT						
V _{OUT}	Output Voltage range		2.3		3.6	V
V _{FB}	Feedback regulation voltage			0.8		V
V _{FB}	Feedback voltage accuracy	PWM mode, TPS630250	-1%		1%	
V _{FB}	Feedback voltage accuracy ⁽²⁾	PFM mode, TPS630250	-1%	1.3%	+3%	
V _{OUT}	Output voltage accuracy	PWM mode, TPS630251	2.871	2.9	2.929	V
V _{OUT}	Output voltage accuracy ⁽²⁾	PFM mode, TPS630251	2.871	2.938	2.987	V
V _{OUT}	Output voltage accuracy	PWM mode, TPS630252	3.267	3.3	3.333	V
V _{OUT}	Output voltage accuracy ⁽²⁾	PFM mode, TPS630252	3.267	3.343	3.399	V
I _{PWM/PFM}	Output current to enter PFM mode	V _{IN} = 3V; V _{OUT} = 3.3V		350		mA
I _{FB}	Feedback input bias current	V _{FB} = 0.8V		10	100	nA
R _{DS_Buck(on)}	High side FET on-resistance	V _{IN} = 3.0V, V _{OUT} = 3.3V		35		mΩ
	Low side FET on-resistance	V _{IN} = 3.0V, V _{OUT} = 3.3V		50		mΩ
R _{DS_Boost(on)}	High side FET on-resistance	V _{IN} = 3.0V, V _{OUT} = 3.3V		25		mΩ
	Low side FET on-resistance	V _{IN} = 3.0V, V _{OUT} = 3.3V		50		mΩ

(1) For minimum output current in a specific working point see [Figure 5](#) and [Equation 1](#) through [Equation 4](#).

(2) Conditions: L = 1 μH, C_{OUT} = 2 × 22 μF.

Electrical Characteristics (continued)

V_{IN} = 2.3V to 5.5V, T_J = -40°C to 125°C , typical values are at T_A = 25°C (unless otherwise noted)

PARAMETER		TEST CONDITIONS	MIN	TYP	MAX	UNIT
I_{IN}	Average input current limit ⁽³⁾	$V_{IN} = 3.0\text{V}$, $V_{OUT} = 3.3\text{V}$ $T_J = 65^{\circ}\text{C}$ to 125°C	3.5	4.5	5	A
f_s	Switching Frequency			2.5		MHz
R_{ON_DISC}	Discharge ON-Resistance	EN = low		120		Ω
	Line regulation	$V_{IN} = 2.8\text{V}$ to 5.5V , $I_{OUT} = 2\text{A}$		7.4		mV/V
	Load regulation	$V_{IN} = 3.6\text{V}$, $I_{OUT} = 0\text{A}$ to 2A		5		mV/A

(3) For variation of this parameter with Input voltage and temperature see [Figure 5](#).

8.6 Timing Requirements

V_{IN} = 2.3 V to 5.5 V, T_J = -40°C to 125°C , typical values are at T_A = 25°C (unless otherwise noted)

PARAMETER		TEST CONDITIONS	MIN	TYP	MAX	UNIT
OUTPUT						
t_{SS}	Soft-start time	$V_{OUT}=\text{EN}=\text{low}$ to high, Buck mode $V_{IN}=3.6\text{V}$, $V_{OUT}=3.3\text{V}$, $I_{OUT}=2\text{A}$		450		μs
		$V_{OUT}=\text{EN}=\text{low}$ to high, Boost mode $V_{IN}=2.8\text{V}$, $V_{OUT}=3.3\text{V}$, $I_{OUT}=2\text{A}$		700		μs
t_d	Start up delay	Time from when EN=high to when device starts switching		100		μs

8.7 Typical Characteristics

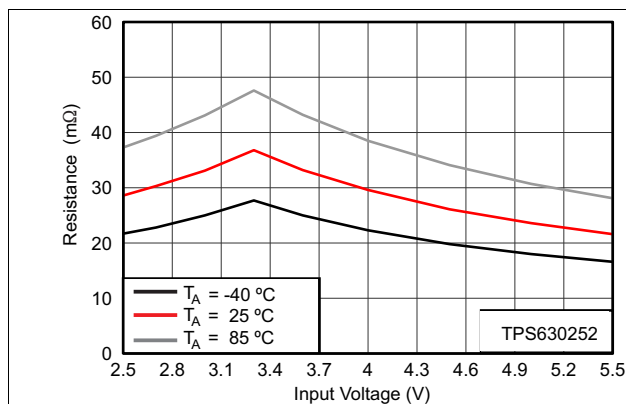


Figure 1. High Side FET On-Resistance vs Input Voltage

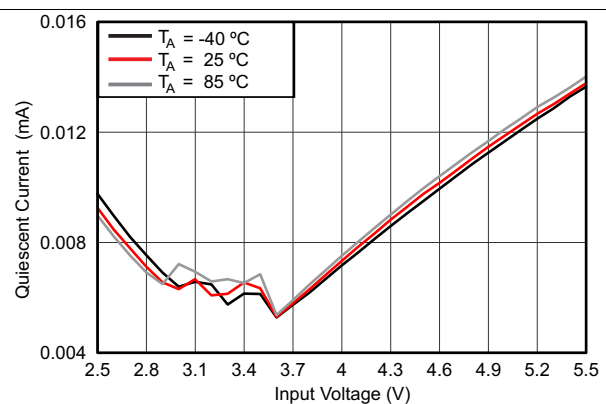


Figure 2. Quiescent Current vs Input Voltage

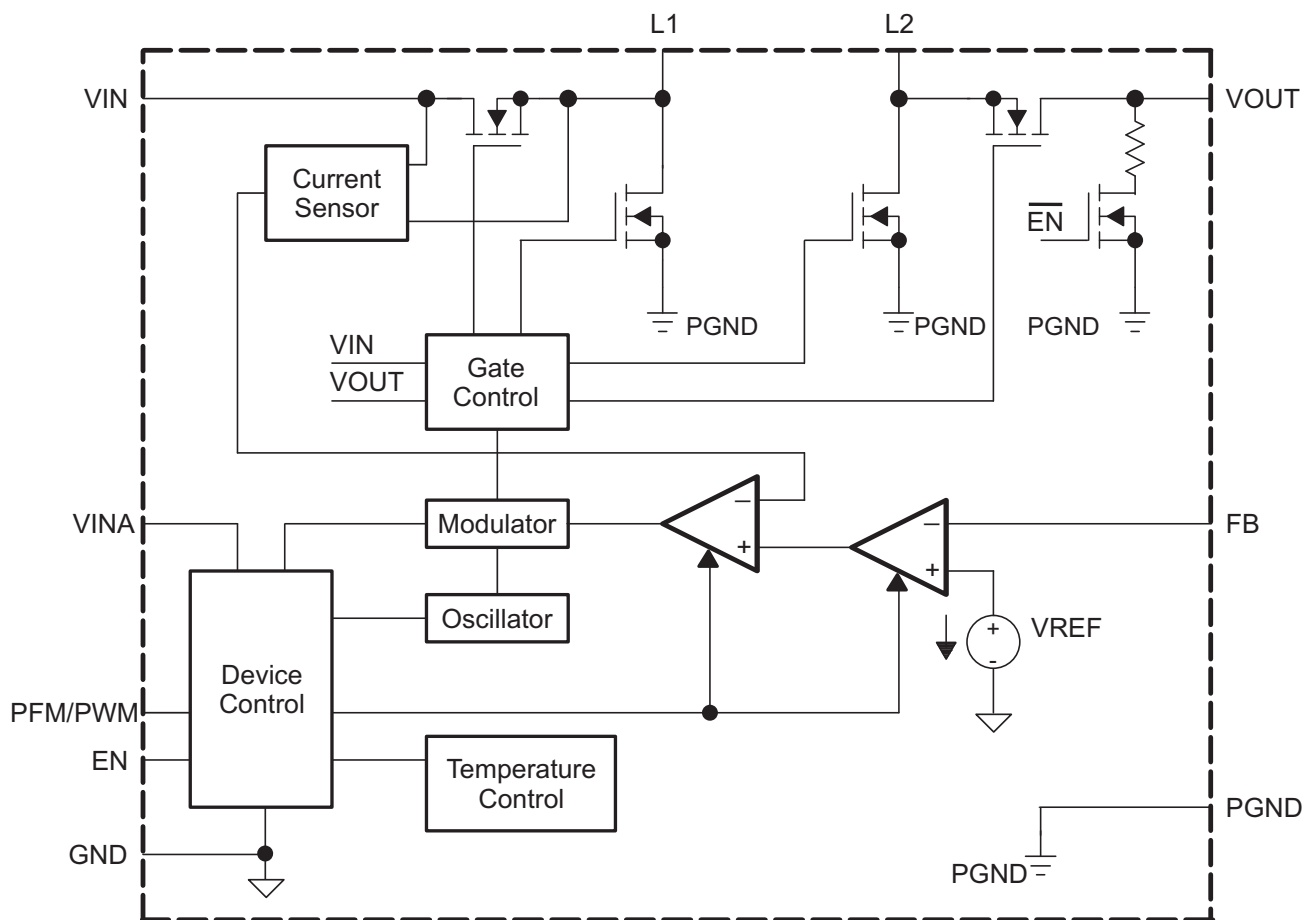
9 Detailed Description

9.1 Overview

The TPS63025x use 4 internal N-channel MOSFETs to maintain synchronous power conversion at all possible operating conditions. This enables the device to keep high efficiency over the complete input voltage and output power range. To regulate the output voltage at all possible input voltage conditions, the device automatically switches from buck operation to boost operation and back as required by the configuration. It always uses one active switch, one rectifying switch, one switch is held on, and one switch held off. Therefore, it operates as a buck converter when the input voltage is higher than the output voltage, and as a boost converter when the input voltage is lower than the output voltage. There is no mode of operation in which all 4 switches are switching at the same time. Keeping one switch on and one switch off eliminates their switching losses. The RMS current through the switches and the inductor is kept at a minimum, to minimize switching and conduction losses. Controlling the switches this way allows the converter to always keep higher efficiency.

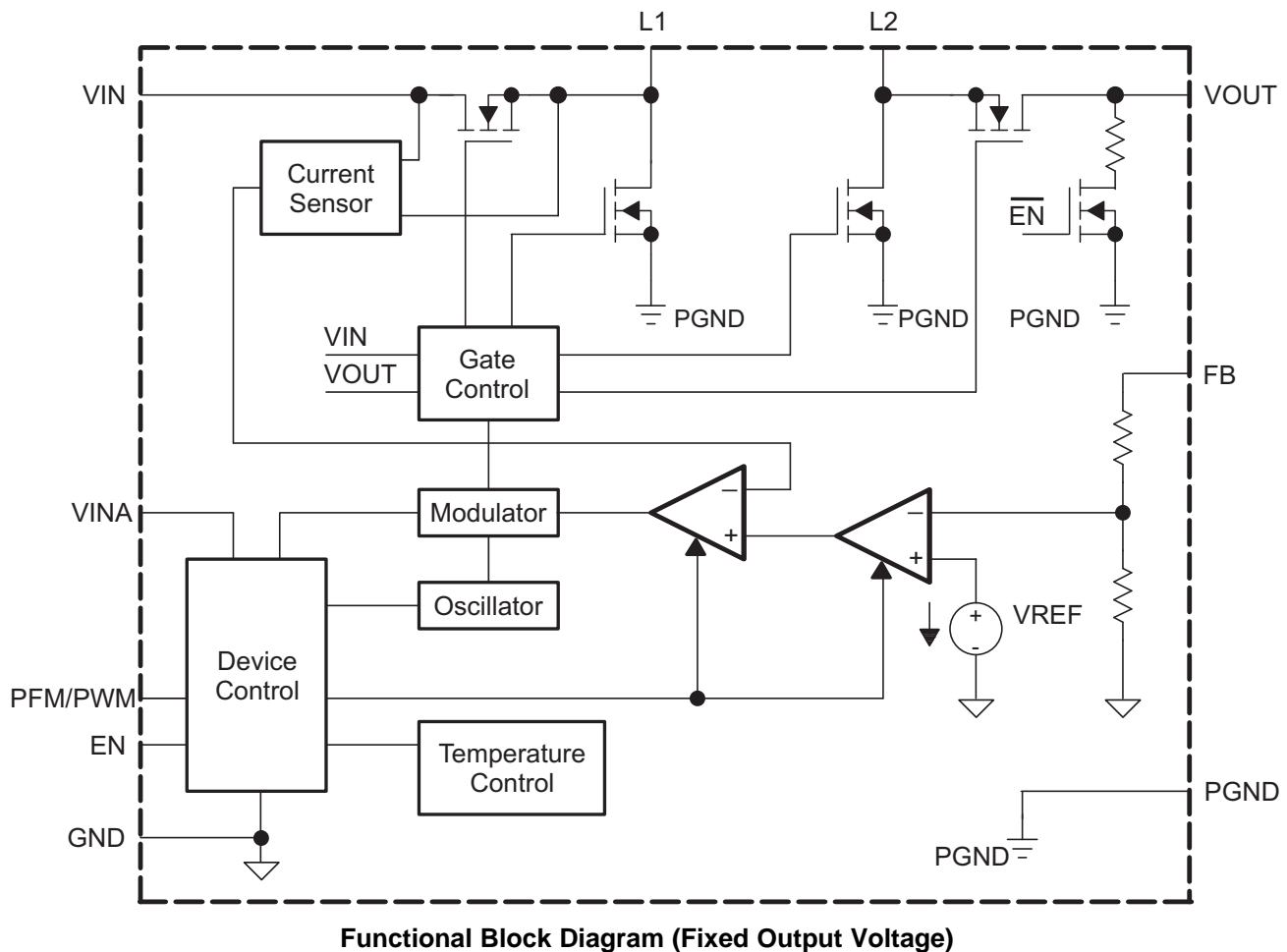
The device provides a seamless transition from buck to boost or from boost to buck operation.

9.2 Functional Block Diagram



Functional Block Diagram (Adjustable Output Voltage)

Functional Block Diagram (continued)



9.3 Feature Description

9.3.1 Undervoltage Lockout (UVLO)

To avoid mis-operation of the device at low input voltages, an undervoltage lockout is included. UVLO shuts down the device at input voltages lower than typically 1.7 V with a 180 mV hysteresis.

9.3.2 Output Discharge Function

When the device is disabled by pulling enable low and the supply voltage is still applied, the internal transistor use to discharge the output capacitor is turned on, and the output capacitor is discharged until UVLO is reached. This means, if there is no supply voltage applied the output discharge function is also disabled. The transistor which is responsible of the discharge function, when turned on, operates like an equivalent 120-Ω resistor, ensuring typically less than 10ms discharge time for 20-μF output capacitance and a 3.3 V output.

9.3.3 Thermal Shutdown

The device goes into thermal shutdown once the junction temperature exceeds typically 140°C with a 20°C hysteresis.

Feature Description (continued)

9.3.4 Softstart

To minimize inrush current and output voltage overshoot during start up, the device has a Softstart. At turn on, the input current raises monotonic until the output voltage reaches regulation. During Softstart, the input current follows the current ramp charging the internal Softstart capacitor. The device smoothly ramps up the input current bringing the output voltage to its regulated value even if a large capacitor is connected at the output.

The Softstart time is measured as the time from when the EN pin is asserted to when the output voltage has reached 90% of its nominal value. There is typically a 100 μ s delay time from when the EN pin is asserted to when the device starts the switching activity. The Softstart time depends on the load current, the input voltage, and the output capacitor. The Softstart time in boost mode is longer than the time in buck mode. The total typical Softstart time is 1ms.

The inductor current is able to increase and always assure a soft start unless a real short circuit is applied at the output.

9.3.5 Short Circuit Protection

The TPS63025x provides short circuit protection to protect itself and the application. When the output voltage does not increase above 1.2V, the device assumes a short circuit at the output and limits the input current to 4 A.

9.4 Device Functional Modes

9.4.1 Control Loop Description

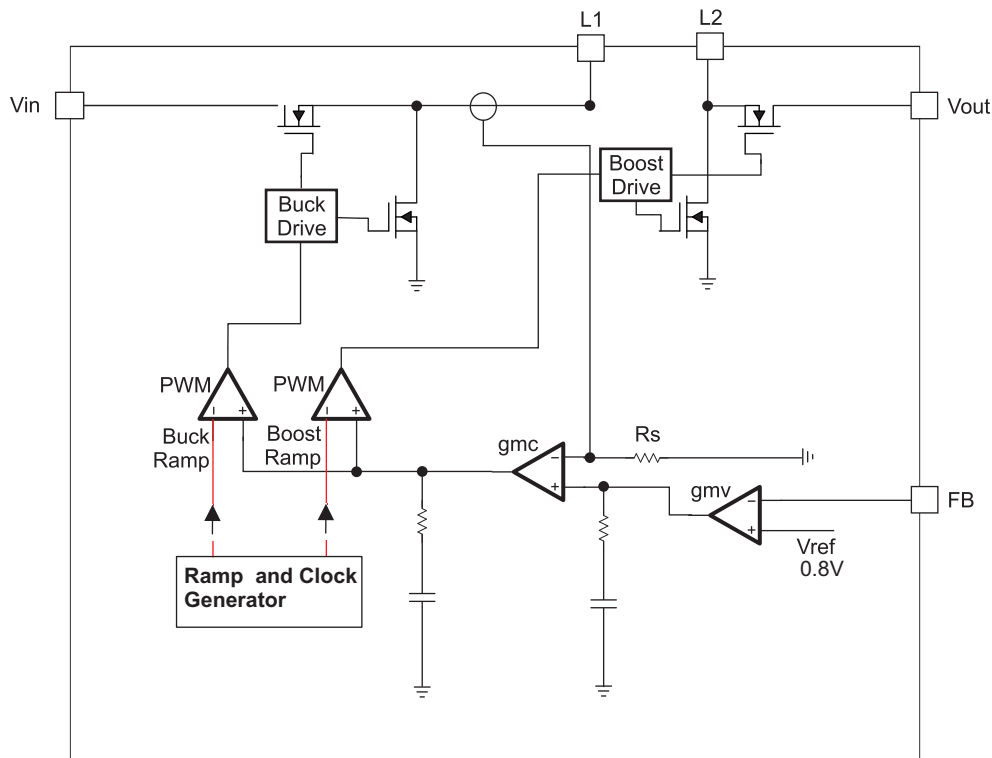


Figure 3. Average Current Mode Control

The controller circuit of the device is based on an average current mode topology. The average inductor current is regulated by a fast current regulator loop which is controlled by a voltage control loop. [Figure 3](#) shows the control loop.

The non inverting input of the transconductance amplifier, g_{mV} , is assumed to be constant. The output of g_{mV} defines the average inductor current. The inductor current is reconstructed by measuring the current through the high side buck MOSFET. This current corresponds exactly to the inductor current in boost mode. In buck mode the current is measured during the on time of the same MOSFET. During the off time, the current is reconstructed internally starting from the peak value at the end of the on time cycle. The average current and the feedback from the error amplifier g_{mV} forms the correction signal g_{mc} . This correction signal is compared to the buck and the boost sawtooth ramp giving the PWM signal. Depending on which of the two ramps the g_{mc} output crosses either the Buck or the Boost stage is initiated. When the input voltage is close to the output voltage, one buck cycle is always followed by a boost cycle. In this condition, no more than three cycles in a row of the same mode are allowed. This control method in the buck-boost region ensures a robust control and the highest efficiency.

Device Functional Modes (continued)

9.4.2 Power Save Mode Operation

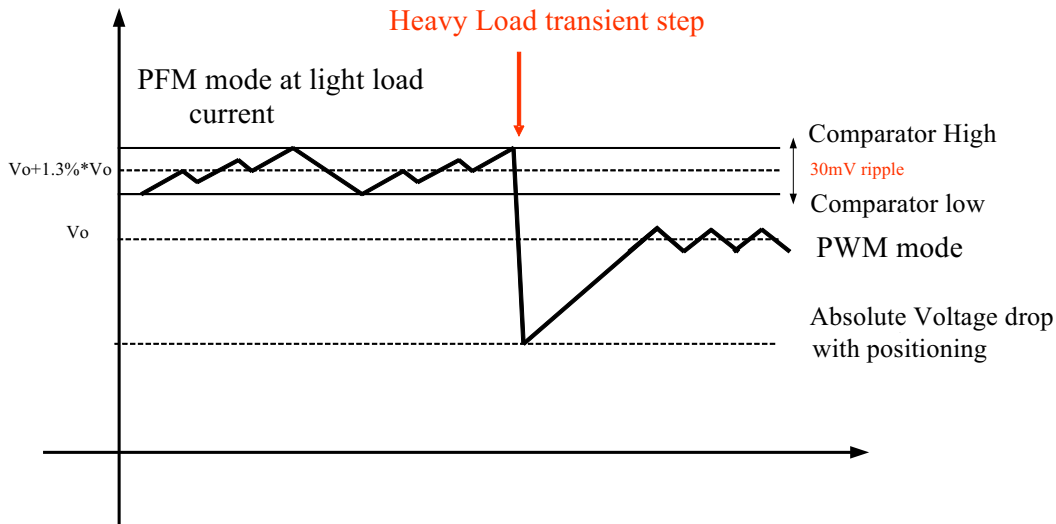


Figure 4. Power Save Mode Operation

Depending on the load current, in order to provide the best efficiency over the complete load range, the device works in PWM mode at load currents of approximately 350mA or higher. At lighter loads, the device switches automatically into Power Save Mode to reduce power consumption and extend battery life. The PFM/PWM pin is used to select between the two different operation modes. To enable Power Save Mode, the PFM/PWM pin must be set low.

During Power Save Mode, the part operates with a reduced switching frequency and lowest supply current to maintain high efficiency. The output voltage is monitored with a comparator at every clock cycle by the thresholds comp low and comp high. When the device enters Power Save Mode, the converter stops operating and the output voltage drops. The slope of the output voltage depends on the load and the output capacitance. When the output voltage reaches the comp low threshold, at the next clock cycle the device ramps up the output voltage again, by starting operation. Operation can last for one or several pulses until the comp high threshold is reached. At the next clock cycle, if the load is still lower than about 350mA, the device switches off again and the same operation is repeated. Instead, if at the next clock cycle, the load is above 350mA, the device automatically switches to PWM mode.

In order to keep high efficiency in PFM mode, there is only one comparator active to keep the output voltage regulated. The AC ripple in this condition is increased, compared to the PWM mode. The amplitude of this voltage ripple in the worst case scenario is 50mV pk-pk, (typically 30 mV pk-pk), with 2- μ F effective output capacitance. In order to avoid a critical voltage drop when switching from 0A to full load, the output voltage in PFM mode is typically 1.3% above the nominal value in PWM mode. This is called Dynamic Voltage Positioning and allows the converter to operate with a small output capacitor and still have a low absolute voltage drop during heavy load transients.

Power Save Mode is disabled by setting the PFM/PWM pin high.

Device Functional Modes (continued)

9.4.3 Current Limit

The current limit variation depends on the difference between the input and output voltage. The maximum current limit value is at the highest difference.

Given the curves provided in [Figure 5](#), it is possible to calculate the output current reached in boost mode, using [Equation 1](#) and [Equation 2](#) and in buck mode using [Equation 3](#) and [Equation 4](#).

$$\text{Duty Cycle Boost} \quad D = \frac{V_{\text{OUT}} - V_{\text{IN}}}{V_{\text{OUT}}} \quad (1)$$

$$\text{Output Current Boost} \quad I_{\text{OUT}} = \eta \times I_{\text{IN}}(1-D) \quad (2)$$

$$\text{Duty Cycle Buck} \quad D = \frac{V_{\text{OUT}}}{V_{\text{IN}}} \quad (3)$$

$$\text{Output Current Buck} \quad I_{\text{OUT}} = (\eta \times I_{\text{IN}}) / D \quad (4)$$

With,

η = Estimated converter efficiency (use the number from the efficiency curves or 0.90 as an assumption)

I_{IN} = Minimum average input current ([Figure 5](#))

9.4.4 Supply and Ground

The TPS63025x provides two input pins (VIN and VINA) and two ground pins (PGND and GND).

The VIN pin supplies the input power, while the VINA pin provides voltage for the control circuits. A similar approach is used for the ground pins. GND and PGND are used to avoid ground shift problems due to the high currents in the switches. The reference for all control functions is the GND pin. The power switches are connected to PGND. Both grounds must be connected on the PCB at only one point, ideally, close to the GND pin.

9.4.5 Device Enable

The device starts operation when the EN pin is set high. The device enters shutdown mode when the EN pin is set low. In shutdown mode, the regulator stops switching, all internal control circuitry is switched off, and the load is disconnected from the input.

10 Application and Implementation

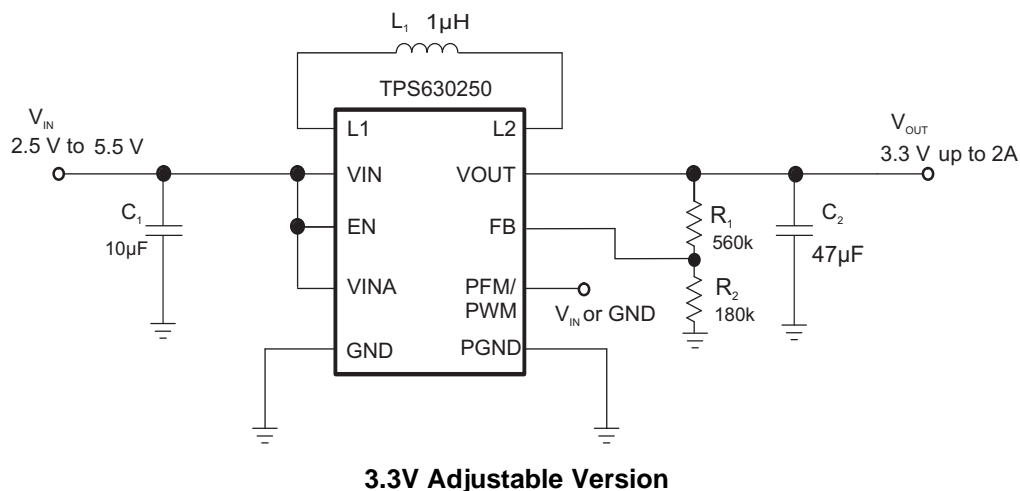
NOTE

Information in the following applications sections is not part of the TI component specification, and TI does not warrant its accuracy or completeness. TI's customers are responsible for determining suitability of components for their purposes. Customers should validate and test their design implementation to confirm system functionality.

10.1 Application Information

The TPS63025x are high efficiency, low quiescent current buck-boost converters suitable for application where the input voltage is higher, lower or equal to the output. Output currents can go as high as 2A in boost mode and as high as 4A in buck mode. The maximum average current in the switches is limited to a typical value of 4 A.

10.2 Typical Application



10.2.1 Design Requirements

The design guideline provides a component selection to operate the device within the recommended operating conditions.

Table 1 shows the list of components for the Application Characteristic Curves.

Table 1. Components for Application Characteristic Curves⁽¹⁾

REFERENCE	DESCRIPTION	MANUFACTURER
	TPS630250	Texas Instruments
L1	1 µH, 8.75A, 13mΩ, SMD	XAL4020-102MEB, Coilcraft
C1	10 µF 6.3V, 0603, X5R ceramic	Standard
C2	47 µF 6.3V, 0603, X5R ceramic	Standard
R1	560kΩ	Standard
R2	180kΩ	Standard

(1) See [Third-Party Products Disclaimer](#)

10.2.2 Detailed Design Procedure

The first step is the selection of the output filter components. To simplify this process [Table 2](#) outlines possible inductor and capacitor value combinations.

10.2.2.1 Output Filter Design

Table 2. Matrix of Output Capacitor and Inductor Combinations

NOMINAL INDUCTOR VALUE [μH] ⁽¹⁾	NOMINAL OUTPUT CAPACITOR VALUE [μF] ⁽²⁾				
	44	47	66	88	100
0.680	+	+	+	+	+
1.0	+ ⁽³⁾	+	+	+	+
1.5			+	+	+

(1) Inductor tolerance and current de-rating is anticipated. The effective inductance can vary by 20% and –30%.

(2) Capacitance tolerance and bias voltage de-rating is anticipated. The effective capacitance can vary by 20% and –50%.

(3) Typical application. Other check mark indicates recommended filter combinations

10.2.2.2 Inductor Selection

The inductor selection is affected by several parameter like inductor ripple current, output voltage ripple, transition point into Power Save Mode, and efficiency. See [Table 3](#) for typical inductors.

Table 3. List of Recommended Inductors⁽¹⁾

INDUCTOR VALUE	COMPONENT SUPPLIER	SIZE (LxWxH mm)	Isat/DCR
1 μH	Coilcraft XAL4020-102ME	4 X 4 X 2.10	4.5A/10mΩ
1 μH	Toko, DFE322512C	3.2 X 2.5 X 1.2	4.7A/34mΩ
1 μH	TDK, SPM4012	4.4 X 4.1 X 1.2	4.1A/38mΩ
1 μH	Wuerth, 74438334010	3 X 3 X 1.2	6.6A/42.10mΩ
0.6 μH	Coilcraft XFL4012-601ME	4 X 4 X 1.2	5A/17.40mΩ
0.68μH	Wuerth,744383340068	3 X 3 X 1.2	7.7A/36mΩ

(1) See [Third-Party Products Disclaimer](#)

For high efficiencies, the inductor should have a low dc resistance to minimize conduction losses. Especially at high-switching frequencies, the core material has a high impact on efficiency. When using small chip inductors, the efficiency is reduced mainly due to higher inductor core losses. This needs to be considered when selecting the appropriate inductor. The inductor value determines the inductor ripple current. The larger the inductor value, the smaller the inductor ripple current and the lower the conduction losses of the converter. Conversely, larger inductor values cause a slower load transient response. To avoid saturation of the inductor, the peak current for the inductor in steady state operation is calculated using Equation 6. Only the equation which defines the switch current in boost mode is shown, because this provides the highest value of current and represents the critical current value for selecting the right inductor.

$$\text{Duty Cycle Boost } D = \frac{V_{\text{OUT}} - V_{\text{IN}}}{V_{\text{OUT}}} \quad (5)$$

$$I_{\text{PEAK}} = \frac{I_{\text{out}}}{\eta \times (1 - D)} + \frac{V_{\text{in}} \times D}{2 \times f \times L} \quad (6)$$

Where,

D =Duty Cycle in Boost mode

f = Converter switching frequency (typical 2.5MHz)

L = Inductor value

η = Estimated converter efficiency (use the number from the efficiency curves or 0.90 as an assumption)

Note: The calculation must be done for the minimum input voltage which is possible to have in boost mode

Calculating the maximum inductor current using the actual operating conditions gives the minimum saturation current of the inductor needed. It's recommended to choose an inductor with a saturation current 20% higher than the value calculated using [Equation 6](#). Possible inductors are listed in [Table 3](#).

10.2.2.3 Capacitor Selection

10.2.2.3.1 Input Capacitor

At least a 10µF input capacitor is recommended to improve line transient behavior of the regulator and EMI behavior of the total power supply circuit. An X5R or X7R ceramic capacitor placed as close as possible to the VIN and PGND pins of the IC is recommended. This capacitance can be increased without limit. If the input supply is located more than a few inches from the TPS63025x converter additional bulk capacitance may be required in addition to the ceramic bypass capacitors. An electrolytic or tantalum capacitor with a value of 47 µF is a typical choice.

10.2.2.3.2 Output Capacitor

For the output capacitor, use of a small ceramic capacitors placed as close as possible to the VOUT and PGND pins of the IC is recommended. The recommended nominal output capacitance value is 20 µF with a variance as outlined in [Table 2](#).

There is also no upper limit for the output capacitance value. Larger capacitors causes lower output voltage ripple as well as lower output voltage drop during load transients.

10.2.2.4 Setting The Output Voltage

When the adjustable output voltage version TPS63025x is used, the output voltage is set by an external resistor divider. The resistor divider must be connected between VOUT, FB and GND. When the output voltage is regulated properly, the typical value of the voltage at the FB pin is 800 mV. The current through the resistive divider should be about 10 times greater than the current into the FB pin. The typical current into the FB pin is 0.1 µA, and the voltage across the resistor between FB and GND, R₂, is typically 800 mV. Based on these two values, the recommended value for R₂ should be lower than 180 kΩ, in order to set the divider current at 4µA or higher. It is recommended to keep the value for this resistor in the range of 180kΩ. From that, the value of the resistor connected between VOUT and FB, R₁, depending on the needed output voltage (V_{OUT}), can be calculated using [Equation 7](#):

$$R1 = R2 \times \left(\frac{V_{OUT}}{V_{FB}} - 1 \right) \tag{7}$$

10.2.3 Application Curves

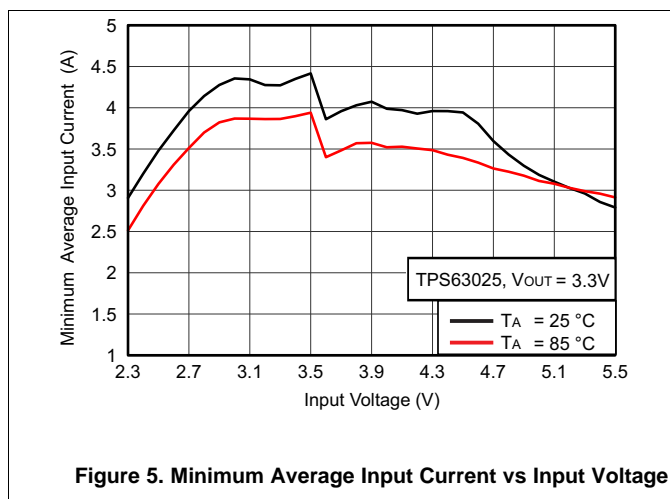


Figure 5. Minimum Average Input Current vs Input Voltage

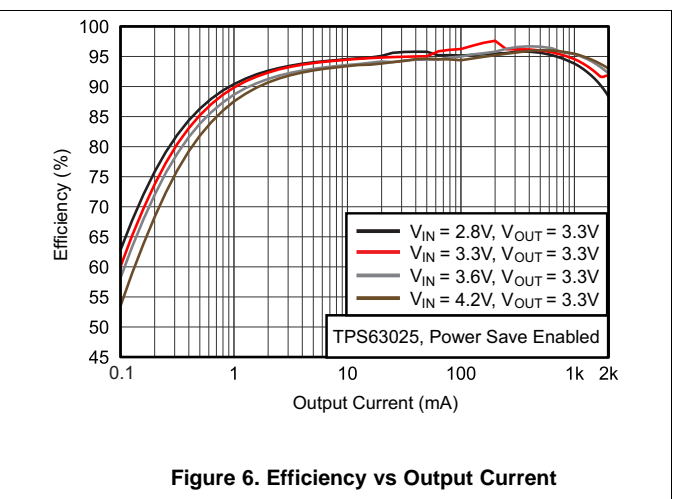


Figure 6. Efficiency vs Output Current

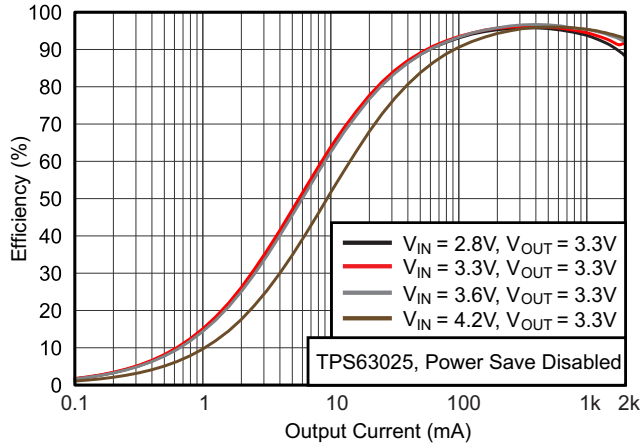


Figure 7. Efficiency vs Output Current

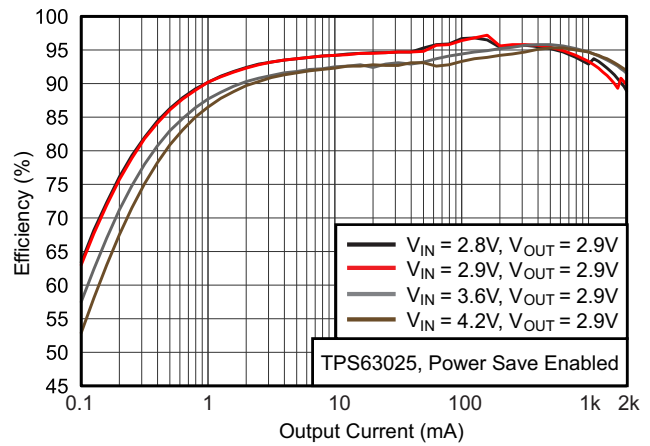


Figure 8. Efficiency vs Output Current

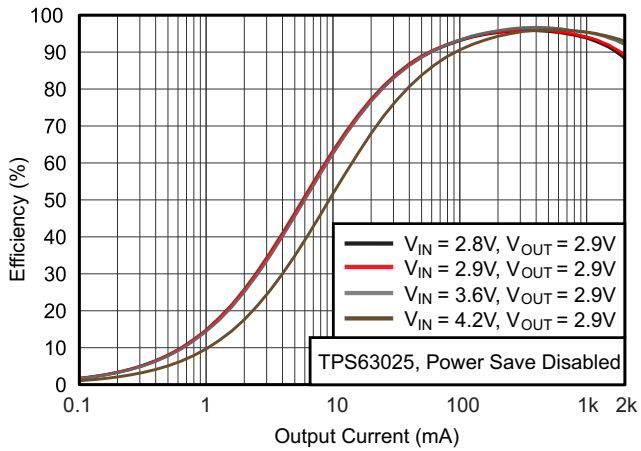


Figure 9. Efficiency vs Output Current

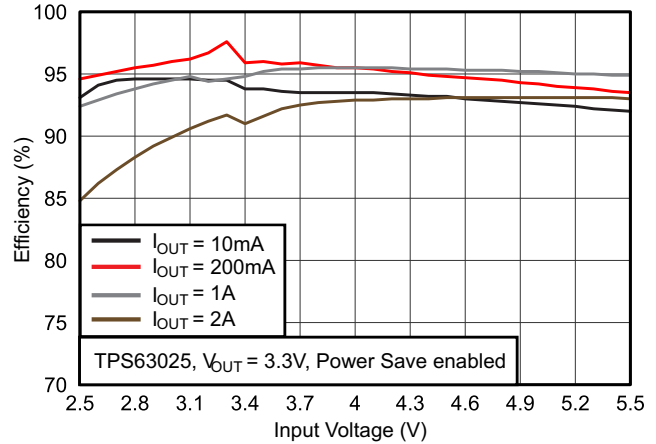


Figure 10. Efficiency vs Input Voltage

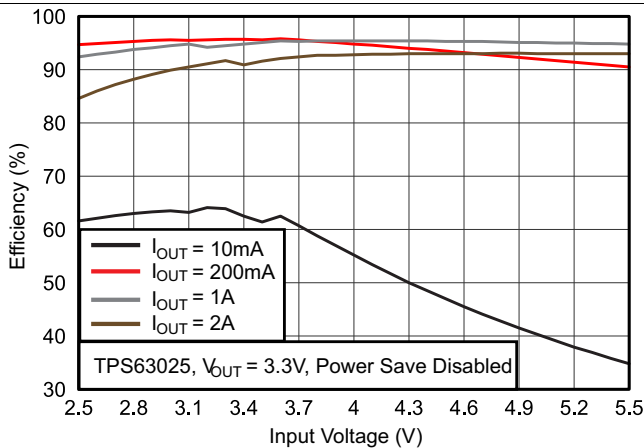


Figure 11. Efficiency vs Input Voltage

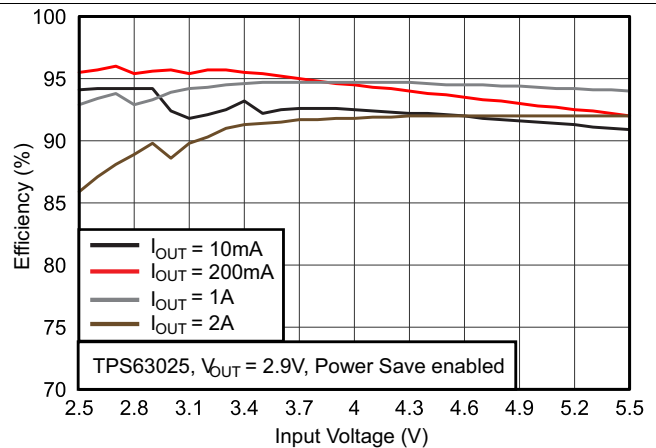


Figure 12. Efficiency vs Input Voltage

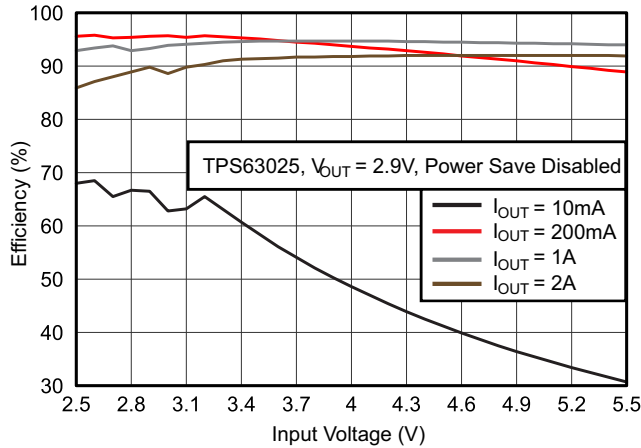


Figure 13. Efficiency vs Input Voltage

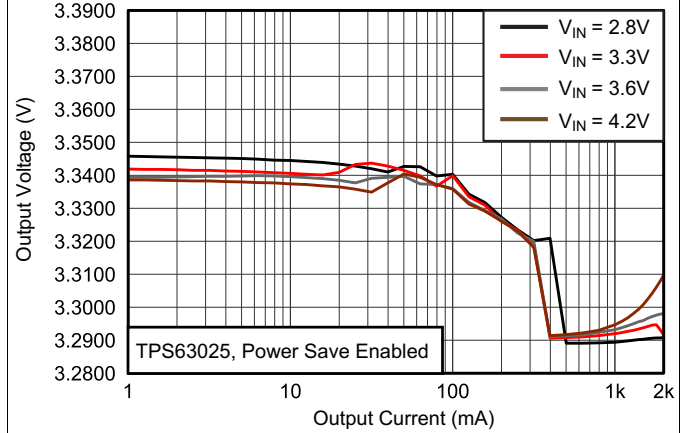


Figure 14. Output Voltage vs Output Current

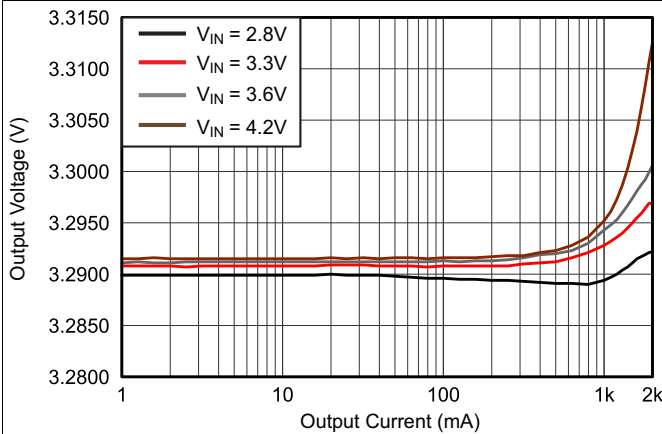


Figure 15. Output Voltage vs Output Current

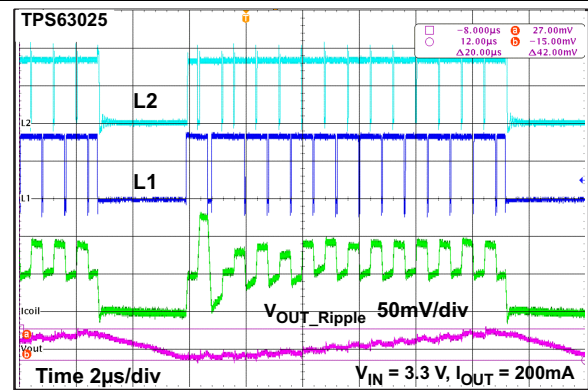


Figure 16. Output Voltage Ripple in Buck-Boost Mode and PFM to PWM Transition

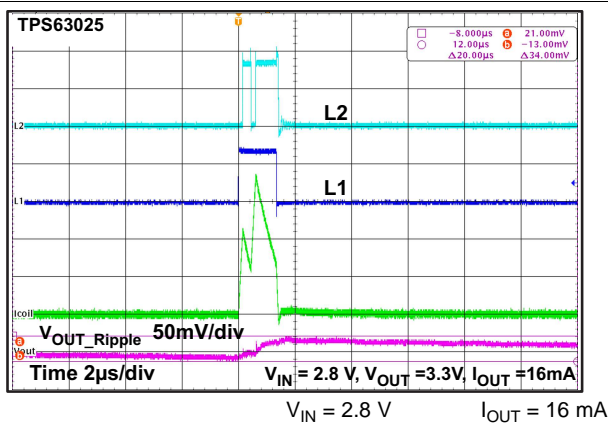


Figure 17. Output Voltage Ripple in Boost Mode and PFM Operation

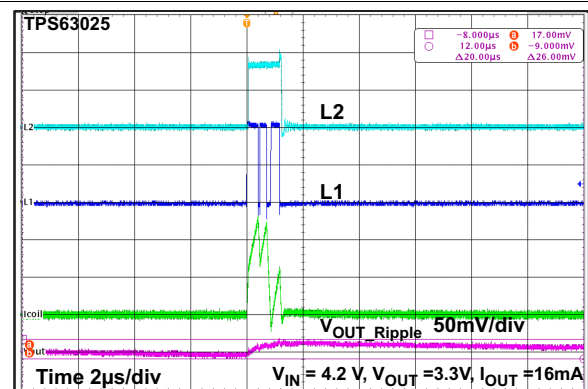


Figure 18. Output Voltage Ripple in Buck Mode and PFM Operation

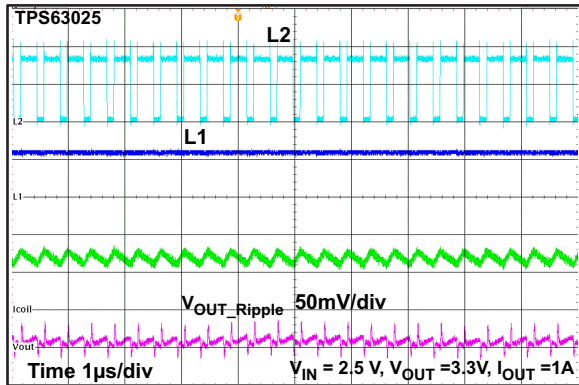


Figure 19. Switching Waveforms in Boost Mode and PWM Operation

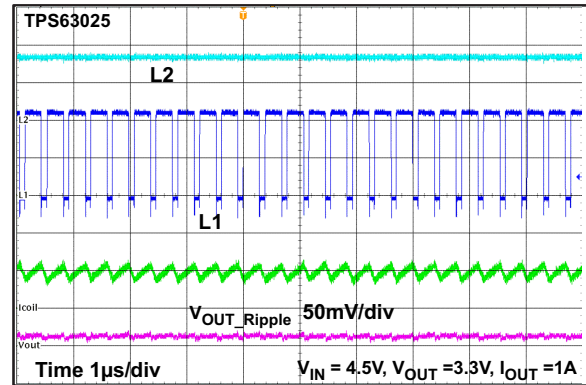


Figure 20. Switching Waveforms in Buck Mode and PWM Operation

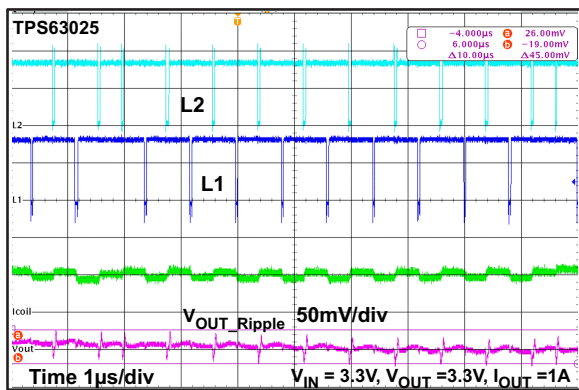


Figure 21. Switching Waveforms in Buck-Boost Mode and PWM Operation

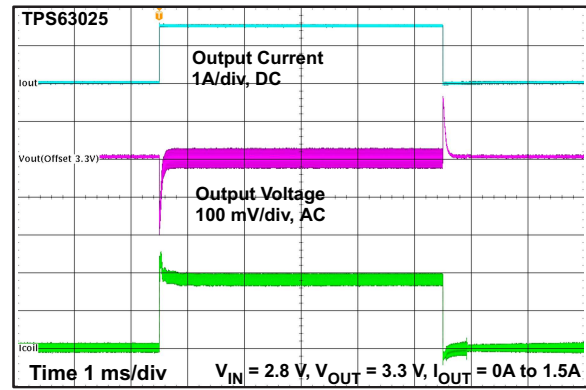


Figure 22. Load Transient Response Boost Mode

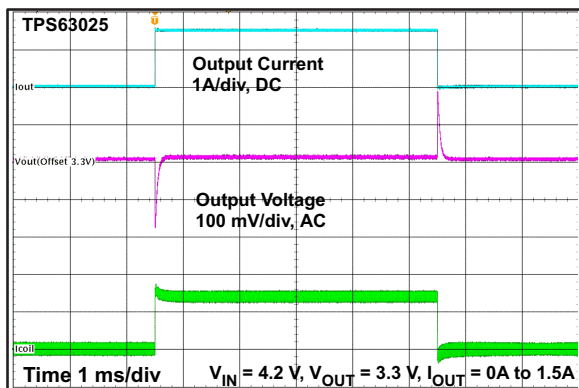


Figure 23. Load Transient Response Buck Mode

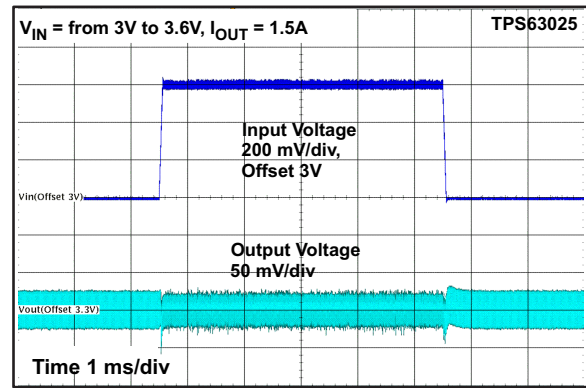


Figure 24. Line Transient Response

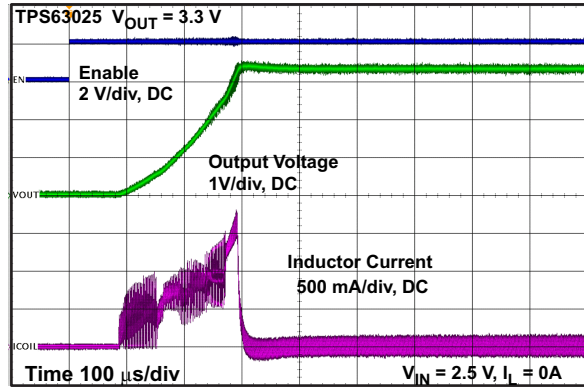


Figure 25. Start Up After Enable

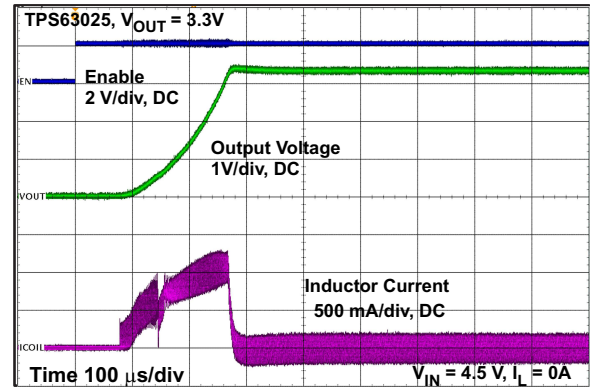


Figure 26. Start Up After Enable

11 Power Supply Recommendations

The TPS63025x device family has no special requirements for its input power supply. The input power supply's output current needs to be rated according to the supply voltage, output voltage and output current of the TPS63025x.

12 Layout

12.1 Layout Guidelines

The PCB layout is an important step to maintain the high performance of the TPS63025x devices.

- Place input and output capacitors as close as possible to the IC. Traces need to be kept short. Routing wide and direct traces to the input and output capacitor results in low trace resistance and low parasitic inductance.
- Use a common-power GND
- Use separate traces for the supply voltage of the power stage; and, the supply voltage of the analog stage.
- The sense trace connected to FB is signal trace. Keep these traces away from L1 and L2 nodes.

12.2 Layout Example

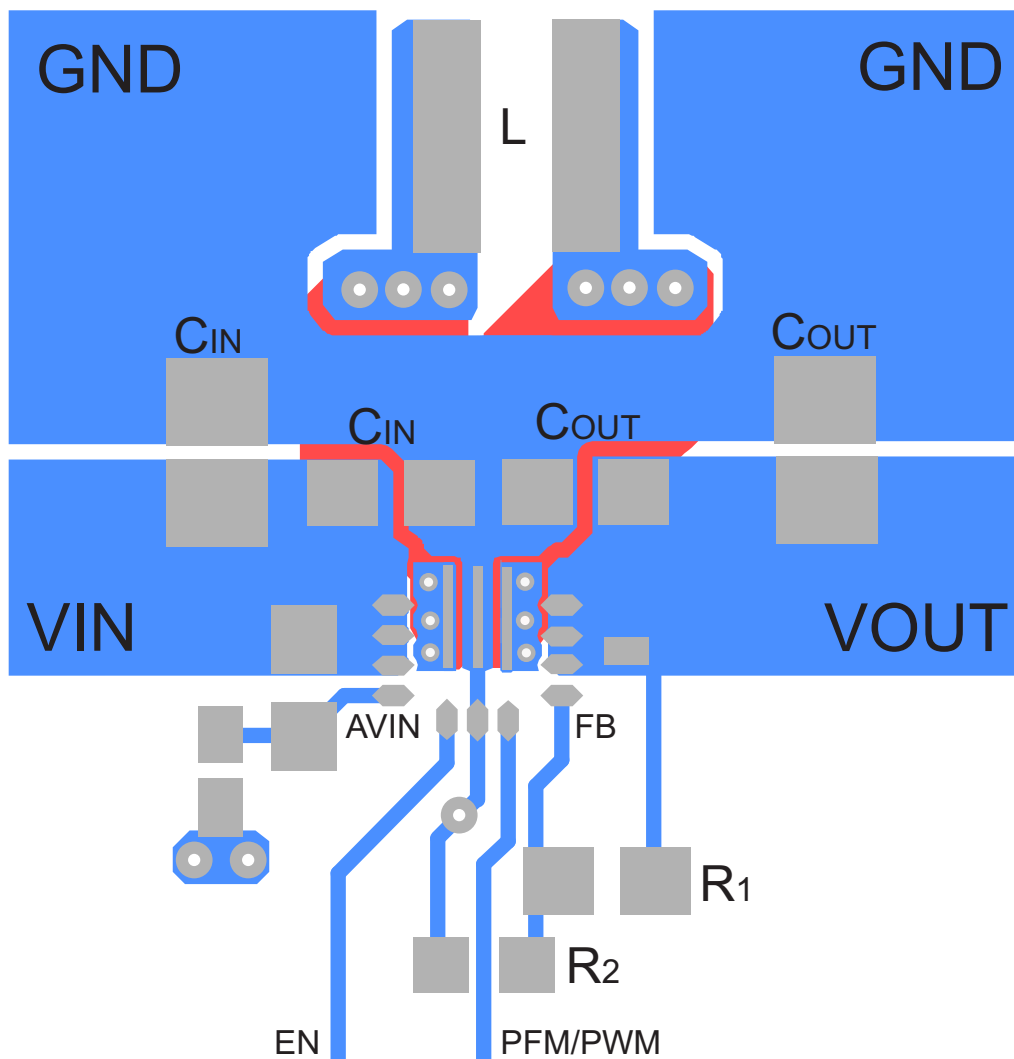


Figure 27. TPS63025x RNC Package Layout

13 Device and Documentation Support

13.1 Device Support

13.1.1 Third-Party Products Disclaimer

TI'S PUBLICATION OF INFORMATION REGARDING THIRD-PARTY PRODUCTS OR SERVICES DOES NOT CONSTITUTE AN ENDORSEMENT REGARDING THE SUITABILITY OF SUCH PRODUCTS OR SERVICES OR A WARRANTY, REPRESENTATION OR ENDORSEMENT OF SUCH PRODUCTS OR SERVICES, EITHER ALONE OR IN COMBINATION WITH ANY TI PRODUCT OR SERVICE.

13.2 Documentation Support

13.2.1 Related Documentation

For related documentation see the following:

TPS63025EVM-553 User's Guide, TPS63025 High Current, High Efficiency Single Inductor Buck-Boost Converter, [SLVUA24](#)

13.3 Related Links

The table below lists quick access links. Categories include technical documents, support and community resources, tools and software, and quick access to sample or buy.

Table 4. Related Links

PARTS	PRODUCT FOLDER	SAMPLE & BUY	TECHNICAL DOCUMENTS	TOOLS & SOFTWARE	SUPPORT & COMMUNITY
TPS630250	Click here	Click here	Click here	Click here	Click here
TPS630251	Click here	Click here	Click here	Click here	Click here
TPS630252	Click here	Click here	Click here	Click here	Click here

13.4 Trademarks

All trademarks are the property of their respective owners.

13.5 Electrostatic Discharge Caution



These devices have limited built-in ESD protection. The leads should be shorted together or the device placed in conductive foam during storage or handling to prevent electrostatic damage to the MOS gates.

13.6 Glossary

[SLYZ022](#) — *TI Glossary*.

This glossary lists and explains terms, acronyms, and definitions.

14 Mechanical, Packaging, and Orderable Information

The following pages include mechanical, packaging, and orderable information. This information is the most current data available for the designated devices. This data is subject to change without notice and revision of this document. For browser-based versions of this data sheet, refer to the left-hand navigation.

PACKAGING INFORMATION

Orderable part number	Status (1)	Material type (2)	Package Pins	Package qty Carrier	RoHS (3)	Lead finish/ Ball material (4)	MSL rating/ Peak reflow (5)	Op temp (°C)	Part marking (6)
TPS630250RNCR	Active	Production	VQFN-HR (RNC) 14	3000 LARGE T&R	Yes	Call TI Sn	Level-1-260C-UNLIM	-40 to 125	63025P
TPS630250RNCR.A	Active	Production	VQFN-HR (RNC) 14	3000 LARGE T&R	Yes	SN	Level-1-260C-UNLIM	-40 to 125	63025P
TPS630250RNCT	Active	Production	VQFN-HR (RNC) 14	250 SMALL T&R	Yes	Call TI Sn	Level-1-260C-UNLIM	-40 to 125	63025P
TPS630250RNCT.A	Active	Production	VQFN-HR (RNC) 14	250 SMALL T&R	Yes	SN	Level-1-260C-UNLIM	-40 to 125	63025P
TPS630250YFFR	Active	Production	DSBGA (YFF) 20	3000 LARGE T&R	Yes	SNAGCU	Level-1-260C-UNLIM	-40 to 125	TPS 630250
TPS630250YFFR.A	Active	Production	DSBGA (YFF) 20	3000 LARGE T&R	Yes	SNAGCU	Level-1-260C-UNLIM	-40 to 125	TPS 630250
TPS630250YFFT	Active	Production	DSBGA (YFF) 20	250 SMALL T&R	Yes	SNAGCU	Level-1-260C-UNLIM	-40 to 125	TPS 630250
TPS630250YFFT.A	Active	Production	DSBGA (YFF) 20	250 SMALL T&R	Yes	SNAGCU	Level-1-260C-UNLIM	-40 to 125	TPS 630250
TPS630251YFFR	Active	Production	DSBGA (YFF) 20	3000 LARGE T&R	Yes	SNAGCU	Level-1-260C-UNLIM	-40 to 125	TPS 630251
TPS630251YFFR.A	Active	Production	DSBGA (YFF) 20	3000 LARGE T&R	Yes	SNAGCU	Level-1-260C-UNLIM	-40 to 125	TPS 630251
TPS630251YFFT	Active	Production	DSBGA (YFF) 20	250 SMALL T&R	Yes	SNAGCU	Level-1-260C-UNLIM	-40 to 125	TPS 630251
TPS630251YFFT.A	Active	Production	DSBGA (YFF) 20	250 SMALL T&R	Yes	SNAGCU	Level-1-260C-UNLIM	-40 to 125	TPS 630251
TPS630252YFFR	Active	Production	DSBGA (YFF) 20	3000 LARGE T&R	Yes	SNAGCU	Level-1-260C-UNLIM	-40 to 125	TPS 630252
TPS630252YFFR.A	Active	Production	DSBGA (YFF) 20	3000 LARGE T&R	Yes	SNAGCU	Level-1-260C-UNLIM	-40 to 125	TPS 630252
TPS630252YFFT	Active	Production	DSBGA (YFF) 20	250 SMALL T&R	Yes	SNAGCU	Level-1-260C-UNLIM	-40 to 125	TPS 630252
TPS630252YFFT.A	Active	Production	DSBGA (YFF) 20	250 SMALL T&R	Yes	SNAGCU	Level-1-260C-UNLIM	-40 to 125	TPS 630252

⁽¹⁾ **Status:** For more details on status, see our [product life cycle](#).

- (2) **Material type:** When designated, preproduction parts are prototypes/experimental devices, and are not yet approved or released for full production. Testing and final process, including without limitation quality assurance, reliability performance testing, and/or process qualification, may not yet be complete, and this item is subject to further changes or possible discontinuation. If available for ordering, purchases will be subject to an additional waiver at checkout, and are intended for early internal evaluation purposes only. These items are sold without warranties of any kind.
- (3) **RoHS values:** Yes, No, RoHS Exempt. See the [TI RoHS Statement](#) for additional information and value definition.
- (4) **Lead finish/Ball material:** Parts may have multiple material finish options. Finish options are separated by a vertical ruled line. Lead finish/Ball material values may wrap to two lines if the finish value exceeds the maximum column width.
- (5) **MSL rating/Peak reflow:** The moisture sensitivity level ratings and peak solder (reflow) temperatures. In the event that a part has multiple moisture sensitivity ratings, only the lowest level per JEDEC standards is shown. Refer to the shipping label for the actual reflow temperature that will be used to mount the part to the printed circuit board.
- (6) **Part marking:** There may be an additional marking, which relates to the logo, the lot trace code information, or the environmental category of the part.

Multiple part markings will be inside parentheses. Only one part marking contained in parentheses and separated by a "~" will appear on a part. If a line is indented then it is a continuation of the previous line and the two combined represent the entire part marking for that device.

Important Information and Disclaimer: The information provided on this page represents TI's knowledge and belief as of the date that it is provided. TI bases its knowledge and belief on information provided by third parties, and makes no representation or warranty as to the accuracy of such information. Efforts are underway to better integrate information from third parties. TI has taken and continues to take reasonable steps to provide representative and accurate information but may not have conducted destructive testing or chemical analysis on incoming materials and chemicals. TI and TI suppliers consider certain information to be proprietary, and thus CAS numbers and other limited information may not be available for release.

In no event shall TI's liability arising out of such information exceed the total purchase price of the TI part(s) at issue in this document sold by TI to Customer on an annual basis.

TAPE AND REEL INFORMATION

QUADRANT ASSIGNMENTS FOR PIN 1 ORIENTATION IN TAPE

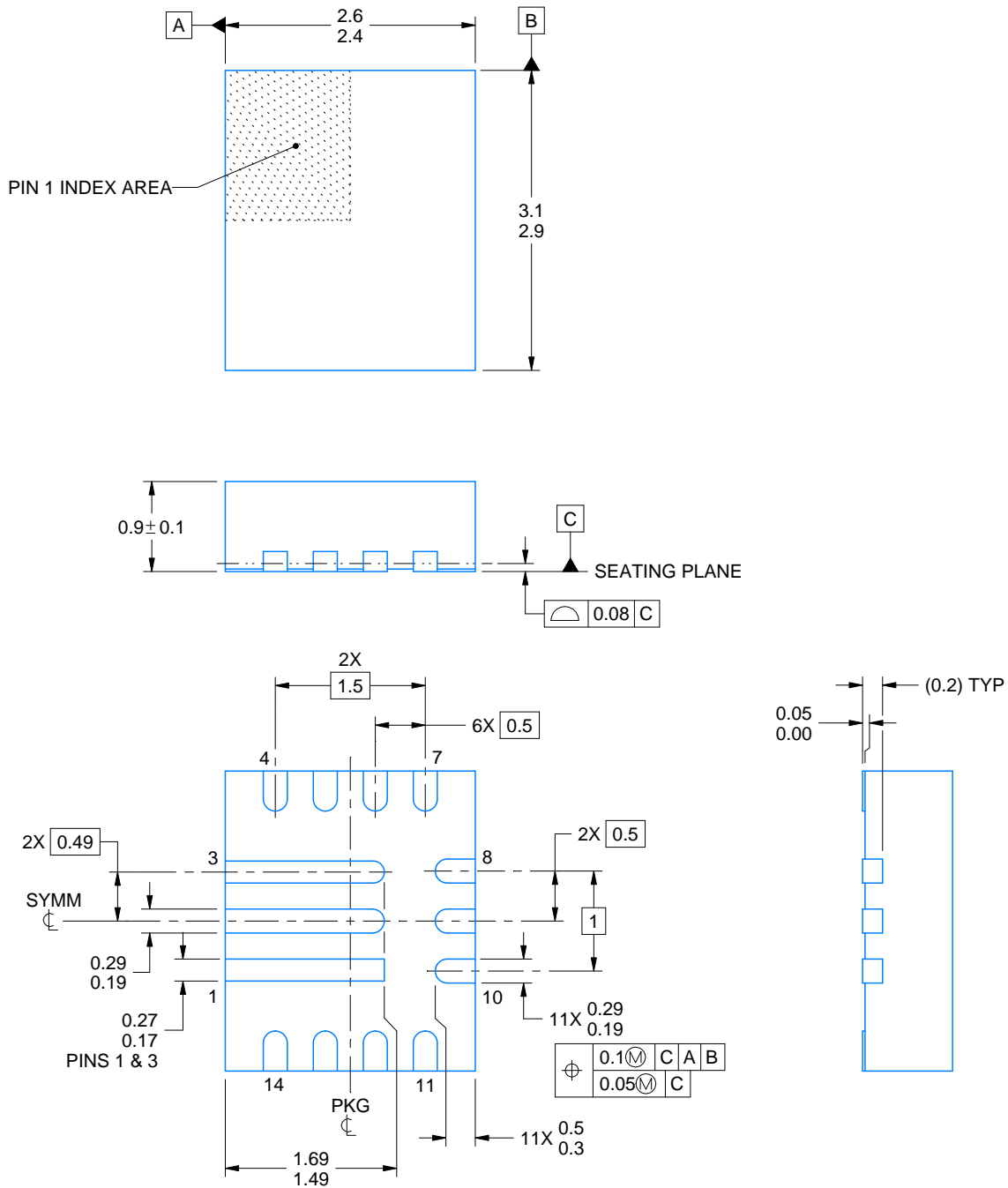

*All dimensions are nominal

Device	Package Type	Package Drawing	Pins	SPQ	Reel Diameter (mm)	Reel Width W1 (mm)	A0 (mm)	B0 (mm)	K0 (mm)	P1 (mm)	W (mm)	Pin1 Quadrant
TPS630250RNCR	VQFN-HR	RNC	14	3000	330.0	12.4	2.8	3.3	1.2	8.0	12.0	Q1
TPS630250RNCT	VQFN-HR	RNC	14	250	180.0	12.4	2.8	3.3	1.2	8.0	12.0	Q1
TPS630250YFFR	DSBGA	YFF	20	3000	180.0	8.4	1.89	2.2	0.69	4.0	8.0	Q1
TPS630250YFFT	DSBGA	YFF	20	250	180.0	8.4	1.89	2.2	0.69	4.0	8.0	Q1
TPS630251YFFR	DSBGA	YFF	20	3000	180.0	8.4	1.89	2.2	0.69	4.0	8.0	Q1
TPS630251YFFT	DSBGA	YFF	20	250	180.0	8.4	1.89	2.2	0.69	4.0	8.0	Q1
TPS630252YFFR	DSBGA	YFF	20	3000	180.0	8.4	1.89	2.2	0.69	4.0	8.0	Q1
TPS630252YFFT	DSBGA	YFF	20	250	180.0	8.4	1.89	2.2	0.69	4.0	8.0	Q1

TAPE AND REEL BOX DIMENSIONS


*All dimensions are nominal

Device	Package Type	Package Drawing	Pins	SPQ	Length (mm)	Width (mm)	Height (mm)
TPS630250RNCR	VQFN-HR	RNC	14	3000	346.0	346.0	80.0
TPS630250RNCT	VQFN-HR	RNC	14	250	341.0	182.0	80.0
TPS630250YFFR	DSBGA	YFF	20	3000	182.0	182.0	20.0
TPS630250YFFT	DSBGA	YFF	20	250	182.0	182.0	20.0
TPS630251YFFR	DSBGA	YFF	20	3000	182.0	182.0	20.0
TPS630251YFFT	DSBGA	YFF	20	250	182.0	182.0	20.0
TPS630252YFFR	DSBGA	YFF	20	3000	182.0	182.0	20.0
TPS630252YFFT	DSBGA	YFF	20	250	182.0	182.0	20.0



4221630/C 04/2018

NOTES:

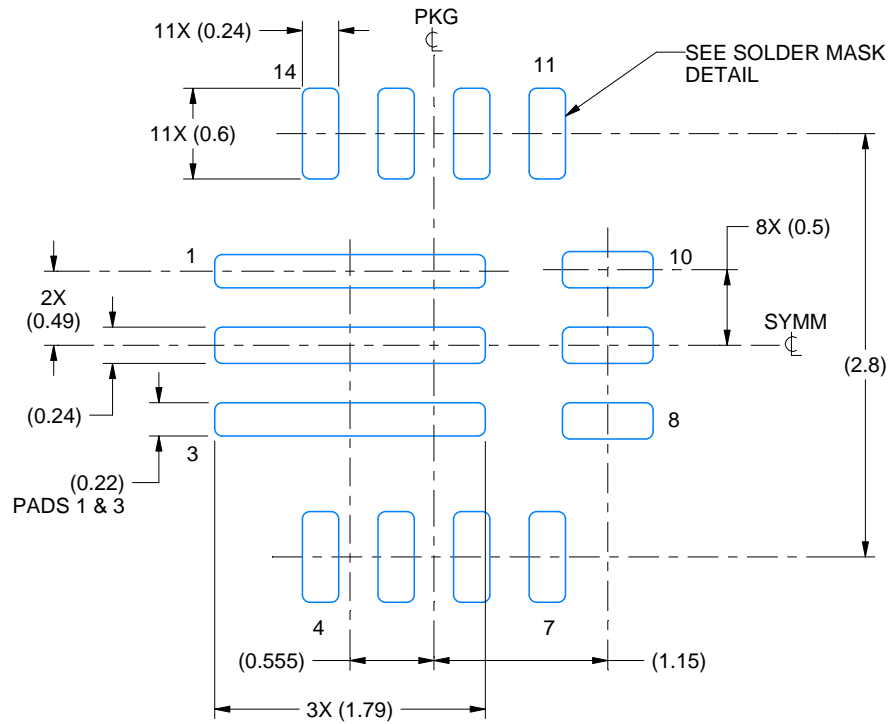
1. All linear dimensions are in millimeters. Any dimensions in parenthesis are for reference only. Dimensioning and tolerancing per ASME Y14.5M.
2. This drawing is subject to change without notice.

EXAMPLE BOARD LAYOUT

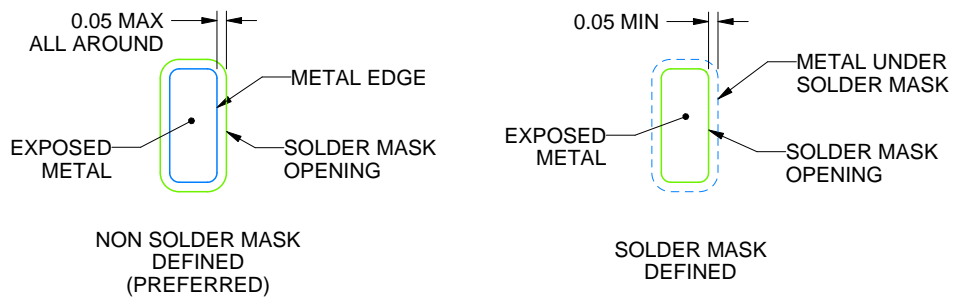
RNC0014A

VQFN-HR - 1 mm max height

PLASTIC QUAD FLATPACK - NO LEAD



LAND PATTERN EXAMPLE
EXPOSED METAL SHOWN
SCALE:20X



SOLDER MASK DETAILS

4221630/C 04/2018

NOTES: (continued)

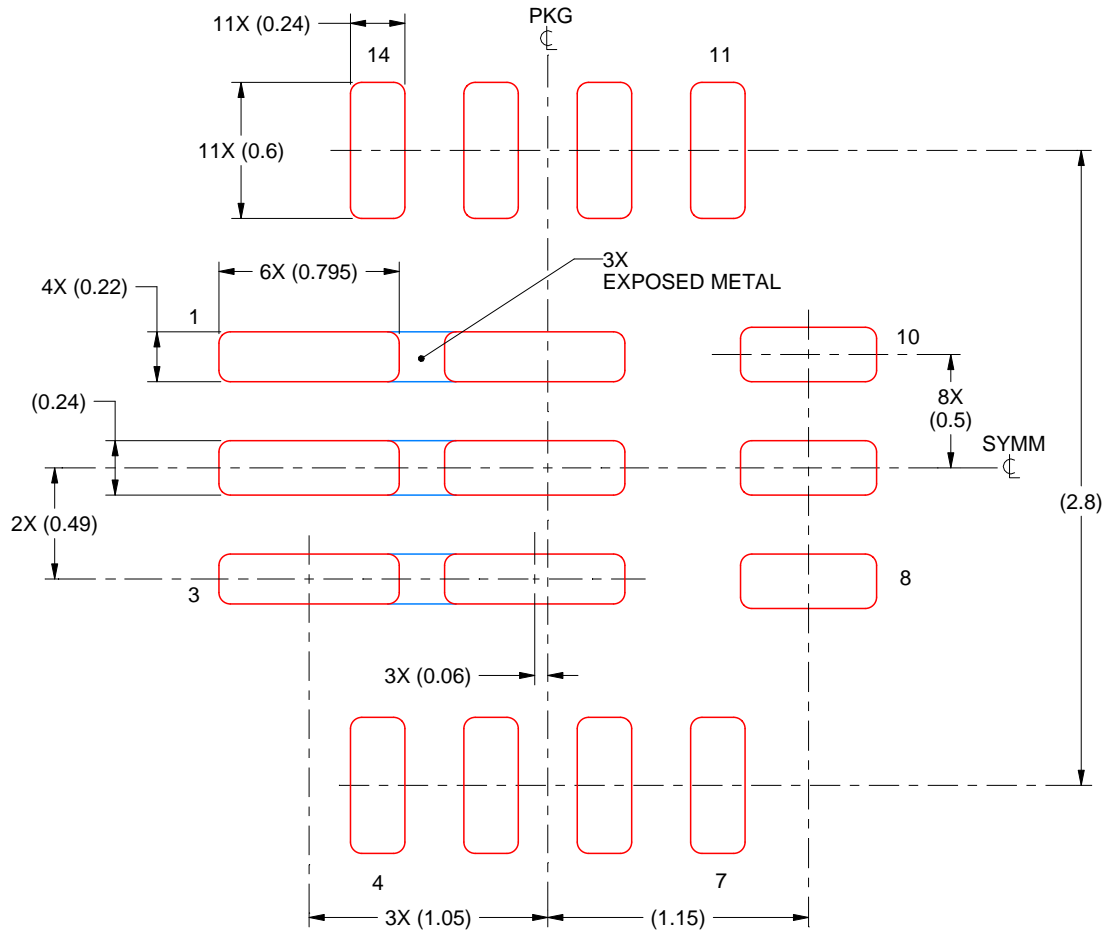
3. For more information, see Texas Instruments literature number SLUA271 (www.ti.com/lit/slua271).
4. Solder mask tolerances between and around signal pads can vary based on board fabrication site.

EXAMPLE STENCIL DESIGN

RNC0014A

VQFN-HR - 1 mm max height

PLASTIC QUAD FLATPACK - NO LEAD



SOLDER PASTE EXAMPLE
BASED ON 0.125 mm THICK STENCIL
FOR EXPOSED PADS 1-3
89% PRINTED SOLDER COVERAGE BY AREA
SCALE:30X

4221630/C 04/2018

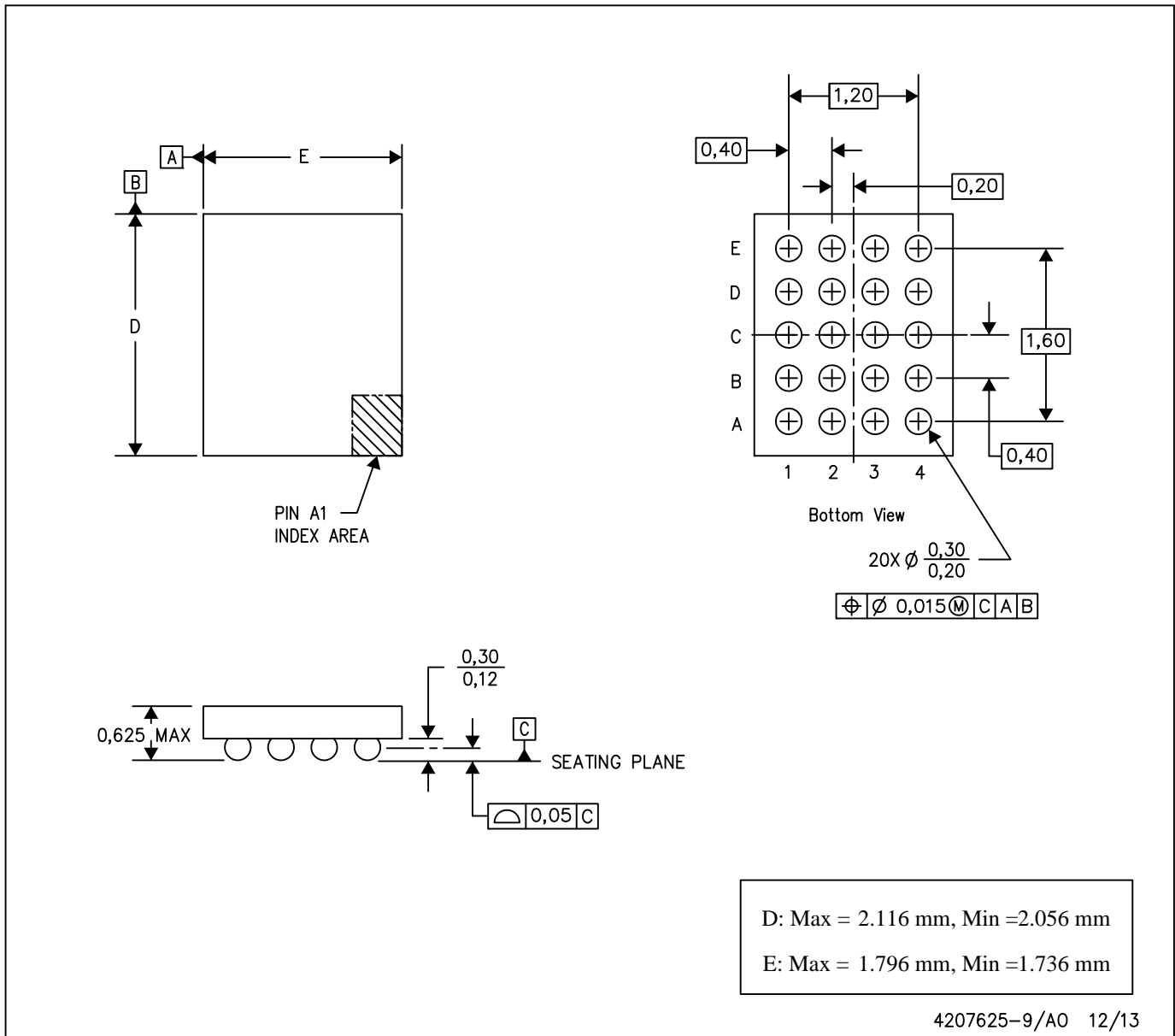
NOTES: (continued)

5. For alternate stencil design recommendations, see IPC-7525 or board assembly site preference.

MECHANICAL DATA

YFF (R-XBGA-N20)

DIE-SIZE BALL GRID ARRAY



- NOTES: A. All linear dimensions are in millimeters. Dimensioning and tolerancing per ASME Y14.5M-1994.
B. This drawing is subject to change without notice.
C. NanoFree™ package configuration.

NanoFree is a trademark of Texas Instruments.

IMPORTANT NOTICE AND DISCLAIMER

TI PROVIDES TECHNICAL AND RELIABILITY DATA (INCLUDING DATASHEETS), DESIGN RESOURCES (INCLUDING REFERENCE DESIGNS), APPLICATION OR OTHER DESIGN ADVICE, WEB TOOLS, SAFETY INFORMATION, AND OTHER RESOURCES "AS IS" AND WITH ALL FAULTS, AND DISCLAIMS ALL WARRANTIES, EXPRESS AND IMPLIED, INCLUDING WITHOUT LIMITATION ANY IMPLIED WARRANTIES OF MERCHANTABILITY, FITNESS FOR A PARTICULAR PURPOSE OR NON-INFRINGEMENT OF THIRD PARTY INTELLECTUAL PROPERTY RIGHTS.

These resources are intended for skilled developers designing with TI products. You are solely responsible for (1) selecting the appropriate TI products for your application, (2) designing, validating and testing your application, and (3) ensuring your application meets applicable standards, and any other safety, security, regulatory or other requirements.

These resources are subject to change without notice. TI grants you permission to use these resources only for development of an application that uses the TI products described in the resource. Other reproduction and display of these resources is prohibited. No license is granted to any other TI intellectual property right or to any third party intellectual property right. TI disclaims responsibility for, and you fully indemnify TI and its representatives against any claims, damages, costs, losses, and liabilities arising out of your use of these resources.

TI's products are provided subject to [TI's Terms of Sale](#), [TI's General Quality Guidelines](#), or other applicable terms available either on ti.com or provided in conjunction with such TI products. TI's provision of these resources does not expand or otherwise alter TI's applicable warranties or warranty disclaimers for TI products. Unless TI explicitly designates a product as custom or customer-specified, TI products are standard, catalog, general purpose devices.

TI objects to and rejects any additional or different terms you may propose.

Copyright © 2025, Texas Instruments Incorporated

Last updated 10/2025