

# TUSB1210 Stand-Alone USB Transceiver Chip Silicon

## 1 Features

- USB2.0 PHY transceiver chip, designed to interface with a USB controller through a ULPI interface, fully compliant with:
  - *Universal serial bus specification Rev. 2.0*
  - *On-the-go supplement to the USB 2.0 specification Rev. 1.3*
  - *UTMI+ low pin interface (ULPI) specification Rev. 1.1*
  - *ULPI 12-pin SDR interface*
- DP/DM line external component compensation (patent #US7965100 B1)
- Interfaces to host, peripheral and OTG device cores; optimized for portable devices or system ASICs with built-in USB OTG device core
- Complete USB OTG physical front-end that supports host negotiation protocol (HNP) and session request protocol (SRP)
- $V_{BUS}$  overvoltage protection circuitry protects  $V_{BUS}$  pin in range  $-2\text{ V}$  to  $20\text{ V}$
- Internal 5-V short-circuit protection of DP, DM, and ID pins for cable shorting to  $V_{BUS}$  pin
- ULPI interface:
  - I/O interface (1.8 V) optimized for nonterminated  $50\ \Omega$  line impedance
  - ULPI CLOCK pin (60 MHz) supports input and output clock configurations
  - Fully programmable ULPI-compliant register set
- Full industrial grade operating temperature range from  $-40^{\circ}\text{C}$  to  $85^{\circ}\text{C}$
- Available in a 32-pin quad flat no lead [QFN (RHB)] package

## 2 Applications

- [Mobile phones](#)
- [Portable computers](#)
- [Tablet devices](#)
- [Video game consoles](#)
- [Desktop computers](#)
- [Portable music players](#)

## 3 Description

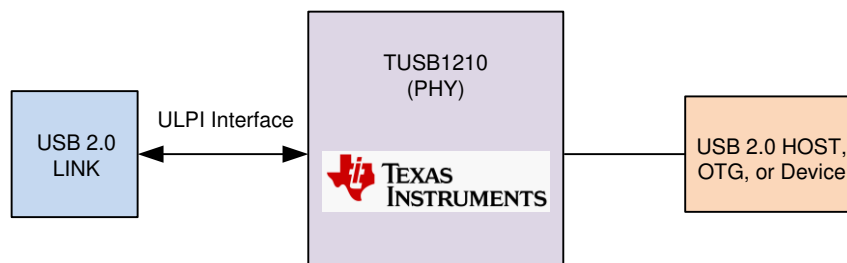
The TUSB1210 is a USB2.0 transceiver chip, designed to interface with a USB controller through a ULPI interface. The device supports all USB2.0 data rates (high-speed 480 Mbps, full-speed 12 Mbps, and low-speed 1.5 Mbps), and is compliant to both host and peripheral modes. The device additionally supports a UART mode and legacy ULPI serial modes. TUSB1210 also supports the OTG (Ver1.3) optional addendum to the USB 2.0 Specification, including HNP and SRP.

The DP/DM external component compensation in the transmitter compensates for variations in the series impedance in order to match with the data line impedance and the receiver input impedance, to limit data reflections and thereby improve eye diagrams.

### Device Information<sup>(1)</sup>

PART NUMBER	PACKAGE	BODY SIZE (NOM)
TUSB1210	VQFN (32)	5.00 mm × 5.00 mm

- (1) For all available packages, see the orderable addendum at the end of the datasheet.



Diagram



## Table of Contents

<b>1 Features</b> .....	1	7.5 Register Map.....	22
<b>2 Applications</b> .....	1	<b>8 Application and Implementation</b> .....	53
<b>3 Description</b> .....	1	8.1 Application Information.....	53
<b>4 Revision History</b> .....	2	8.2 Typical Application.....	53
<b>5 Pin Configuration and Functions</b> .....	4	8.3 External Components.....	57
<b>6 Specifications</b> .....	6	<b>9 Power Supply Recommendations</b> .....	58
6.1 Absolute Maximum Ratings.....	6	9.1 TUSB1210 Power Supply.....	58
6.2 ESD Ratings.....	6	9.2 Ground.....	58
6.3 Recommended Operating Conditions.....	6	9.3 Power Providers.....	58
6.4 Thermal Information.....	7	9.4 Power Modules.....	58
6.5 Analog I/O Electrical Characteristics.....	7	9.5 Power Consumption.....	59
6.6 Digital I/O Electrical Characteristics.....	7	<b>10 Layout</b> .....	60
6.7 Digital IO Pins (Non-ULPI).....	7	10.1 TUSB121x USB2.0 Product Family Board Layout Recommendations.....	60
6.8 PHY Electrical Characteristics.....	8	10.2 Layout Guidelines.....	62
6.9 Pullup/Pulldown Resistors.....	10	10.3 Layout Example.....	62
6.10 OTG Electrical Characteristics.....	10	<b>11 Device and Documentation Support</b> .....	63
6.11 OTG ID Electrical.....	11	11.1 Device Support.....	63
6.12 Power Characteristics.....	11	11.2 Documentation Support.....	63
6.13 Switching Characteristics.....	12	11.3 Receiving Notification of Documentation Updates..	63
6.14 Timing Requirements.....	13	11.4 Support Resources.....	63
6.15 Typical Characteristics.....	15	11.5 Trademarks.....	63
<b>7 Detailed Description</b> .....	16	11.6 Electrostatic Discharge Caution.....	63
7.1 Overview.....	16	11.7 Glossary.....	63
7.2 Functional Block Diagram.....	16	<b>12 Mechanical, Packaging, and Orderable Information</b> .....	63
7.3 Feature Description.....	17		
7.4 Device Functional Modes.....	20		

## 4 Revision History

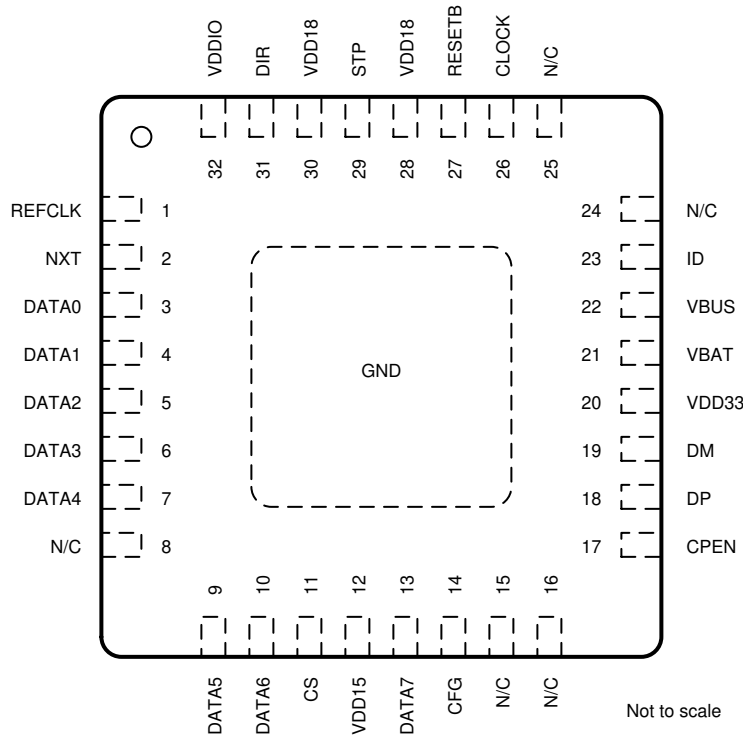
<b>Changes from Revision I (December 2019) to Revision J (July 2021)</b>	<b>Page</b>
• Updated the numbering format for tables, figures, and cross-references throughout the document.....	1
• Changed the $t_{DC}$ , $t_{DD}$ OUTPUT CLOCK delay value From: MAX = 9 ns To: MAX = 5 ns in the <i>Timing Requirements</i> .....	13
• Changed the $t_{DC}$ , $t_{DD}$ OUTPUT CLOCK delay value From: MIN = blank To: MIN = 1.2 ns in the <i>Timing Requirements</i> .....	13
• Added the <i>Related Documentation</i> section.....	63
<b>Changes from Revision H (June 2015) to Revision I (December 2019)</b>	<b>Page</b>
• Changed the document from a data manual format to a TI data sheet format .....	1
• Changed RHB Package 32-Pin OFN To: RHB Package 32-Pin VQFN in <i>Pin Configuration and Functions</i> .....	4
• Changed the HBM value From: $\pm 2$ V To : $\pm 2000$ V in the <i>ESD Ratings</i> .....	6
• Changed the $t_{SC}$ , $t_{SD}$ INPUT CLOCK value From: MAX = 3 ns To: MIN = 3 ns in the <i>Timing Requirements</i> ..	13
• Changed the $t_{SC}$ , $t_{SD}$ OUTPUT CLOCK value From: MAX = 6 ns To: MIN = 6 ns in the <i>Timing Requirements</i> ..	13
• Deleted section Via Channel from the <i>Mechanical Packaging and Orderable Information</i> section .....	63
<b>Changes from Revision G (October 2014) to Revision H (June 2015)</b>	<b>Page</b>
• Move Storage Temperature From: <i>ESD Ratings</i> To: <i>Absolute Maximum Ratings</i> .....	6
• Changed the <i>Handling Ratings</i> table To: <i>ESD Ratings</i> .....	6
<b>Changes from Revision F (July 2013) to Revision G (October 2014)</b>	<b>Page</b>
• Added <i>Pin Configuration and Functions</i> section, <i>ESD Rating</i> table, <i>Feature Description</i> section, <i>Device Functional Modes</i> , <i>Application and Implementation</i> section, <i>Power Supply Recommendations</i> section, <i>Layout</i>	

---

section, <i>Device and Documentation Support</i> section, and <i>Mechanical, Packaging, and Orderable Information</i> section .....	1
---	---

---

## 5 Pin Configuration and Functions



**Figure 5-1. RHB Package Top View**

**Table 5-1. Pin Functions**

PIN		A/D	TYPE	LEVEL	DESCRIPTION
NAME	NO.				
CFG	14	D	I	V <sub>DDIO</sub>	REFCLK clock frequency configuration pin. Two frequencies are supported: 19.2 MHz when 0, or 26 MHz when 1.
CLOCK	26	D	O	V <sub>DDIO</sub>	ULPI 60 MHz clock on which ULPI data is synchronized. Two modes are possible: Input Mode: CLOCK defaults as an input. Output Mode: When an input clock is detected on REFCLK pin (after 4 rising edges) then CLOCK will change to an output.
CPEN	17	D	O	V <sub>DD33</sub>	CMOS active-high digital output control of external 5 V VBUS supply
CS	11	D	I	V <sub>DDIO</sub>	Active-high chip select pin. When low the IC is in power down and ULPI bus is tri-stated. When high normal operation. Tie to V <sub>DDIO</sub> if unused.
DATA0	3	D	I/O	V <sub>DDIO</sub>	ULPI DATA input or output signal 0 synchronized to CLOCK
DATA1	4	D	I/O	V <sub>DDIO</sub>	ULPI DATA input or output signal 1 synchronized to CLOCK
DATA2	5	D	I/O	V <sub>DDIO</sub>	ULPI DATA input or output signal 2 synchronized to CLOCK
DATA3	6	D	I/O	V <sub>DDIO</sub>	ULPI DATA input or output signal 3 synchronized to CLOCK
DATA4	7	D	I/O	V <sub>DDIO</sub>	ULPI DATA input or output signal 4 synchronized to CLOCK
DATA5	9	D	I/O	V <sub>DDIO</sub>	ULPI DATA input or output signal 5 synchronized to CLOCK
DATA6	10	D	I/O	V <sub>DDIO</sub>	ULPI DATA input or output signal 6 synchronized to CLOCK
DATA7	13	D	I/O	V <sub>DDIO</sub>	ULPI DATA input or output signal 7 synchronized to CLOCK
DIR	31	D	O	V <sub>DDIO</sub>	ULPI DIR output signal
DM	19	A	I/O	V <sub>DD33</sub>	DM pin of the USB connector
DP	18	A	I/O	V <sub>DD33</sub>	DP pin of the USB connector
ID	23	A	I/O	V <sub>DD33</sub>	Identification (ID) pin of the USB connector
N/C	8, 15, 16, 24, 25	—	—	—	No connection

**Table 5-1. Pin Functions (continued)**

PIN		A/D	TYPE	LEVEL	DESCRIPTION
NAME	NO.				
NXT	2	D	O	V <sub>DDIO</sub>	ULPI NXT output signal
REFCLK	1	A	I	3.3 V	V <sub>DD33</sub> Reference clock input (square-wave only). Tie to GND when pin 26 (CLOCK) is required to be Input mode. Connect to square-wave reference clock of amplitude in the range of 3 V to 3.6 V when Pin 26 (CLOCK) is required to be Output mode. See pin 14 (CFG) description for REFCLK input frequency settings.
RESETB	27	D	I	V <sub>DDIO</sub>	When low, all digital logic (except 32 kHz logic required for power up sequencing) including registers are reset to their default values, and ULPI bus is tri-stated. When high, normal USB operation.
STP	29	D	I	V <sub>DDIO</sub>	ULPI STP input signal
V <sub>BAT</sub>	21	A	power	V <sub>BAT</sub>	Input supply voltage or battery source
V <sub>BUS</sub>	22	A	power	V <sub>BUS</sub>	V <sub>BUS</sub> pin of the USB connector
V <sub>DD15</sub>	12	A	power		1.5 V internal LDO output. Connect to external filtering capacitor.
V <sub>DD18</sub>	28, 30	A	power	V <sub>DD18</sub>	External 1.8 V supply input. Connect to external filtering capacitor.
V <sub>DD33</sub>	20	A	power	V <sub>DD33</sub>	3.3 V internal LDO output. Connect to external filtering capacitor.
V <sub>DDIO</sub>	32	A	I	V <sub>DDIO</sub>	External 1.8 V supply input for digital I/Os. Connect to external filtering capacitor.
GND	Thermal Pad	A	power	—	Reference Ground

## 6 Specifications

### 6.1 Absolute Maximum Ratings

over operating free-air temperature range (unless otherwise noted)<sup>(1)</sup>

		MIN	MAX	UNIT
V <sub>CC</sub>	Main battery supply voltage <sup>(2)</sup>	0	5	V
	Voltage on any input <sup>(3)</sup>	Where supply represents the voltage applied to the power supply pin associated with the input		V
	V <sub>BUS</sub> input	-2	20	V
	ID, DP, DM inputs	Stress condition guaranteed 24h		V
V <sub>DDIO</sub>	IO supply voltage	Continuous		1.98
T <sub>A</sub>	Ambient temperature range	-40	85	°C
T <sub>J</sub>	Ambient temperature range	Absolute maximum rating		150
		For parametric compliance		125
	Ambient temperature for parametric compliance	With max 125°C as junction temperature		85
	DP, DM, ID high voltage short circuit	DP, DM or ID pins short circuited to V <sub>BUS</sub> supply, in any mode of TUSB1210 operation, continuously for 24 hours		5.25
	DP, DM, ID low voltage short circuit	DP, DM or ID pins short circuited to GND in any mode of TUSB1210 operation, continuously for 24 hours		0
T <sub>stg</sub>	Storage temperature range	-55	125	°C

- (1) Stresses beyond those listed under Absolute Maximum Ratings may cause permanent damage to the device. These are stress ratings only, and functional operation of the device at these or any other conditions beyond those indicated under [Section 6.3](#) is not implied. Exposure to absolute-maximum-rated conditions for extended periods may affect device reliability.
- (2) The product will have negligible reliability impact if voltage spikes of 5.5 V occur for a total (cumulative over lifetime) duration of 5 milliseconds.
- (3) Except V<sub>BAT</sub> input, V<sub>BUS</sub>, ID, DP, and DM pads

### 6.2 ESD Ratings

		VALUE	UNIT
V <sub>(ESD)</sub>	Electrostatic discharge (ESD) performance:	Human body model (HBM), per ANSI/ESDA/JEDEC JS001 <sup>(1)</sup>	±2000
		Charged device model (CDM), per JESD22-C101 or ANSI/ESDA/JEDEC JS-002 <sup>(2)</sup>	±500

- (1) JEDEC document JEP155 states that 500-V HBM allows safe manufacturing with a standard ESD control process.
- (2) JEDEC document JEP157 states that 250-V CDM allows safe manufacturing with a standard ESD control process.

### 6.3 Recommended Operating Conditions

over operating free-air temperature range (unless otherwise noted)

		MIN	NOM	MAX	UNIT
V <sub>BAT</sub>	Battery supply voltage	2.7	3.6	4.8	V
V <sub>BAT CERT</sub>	Battery supply voltage for USB 2.0 compliancy (USB 2.0 certification)	When V <sub>DD33</sub> is supplied internally		3.15	V
		When V <sub>DD33</sub> is shorted to V <sub>BAT</sub> externally		3.05	
V <sub>DDIO</sub>	Digital IO pin supply	1.71		1.98	V
T <sub>A</sub>	Ambient temperature range	-40		85	°C

## 6.4 Thermal Information

THERMAL METRIC <sup>(1)</sup>		RHB	UNIT
		(16 Pins)	
R <sub>θJA</sub>	Junction-to-ambient thermal resistance	34.72	°C/W
R <sub>θJC(top)</sub>	Junction-to-case(top) thermal resistance	37.3	°C/W
R <sub>θJB</sub>	Junction-to-board thermal resistance	10.3	°C/W
ψ <sub>JT</sub>	Junction-to-top characterization parameter	0.5	°C/W
ψ <sub>JB</sub>	Junction-to-board characterization parameter	10.5	°C/W
R <sub>θJC(bottom)</sub>	Junction-to-case(bottom) thermal resistance	3.6	°C/W

(1) For more information about traditional and new thermal metrics, see the [Semiconductor and IC Package Thermal Metrics](#) application report.

## 6.5 Analog I/O Electrical Characteristics

over operating free-air temperature range (unless otherwise noted)

PARAMETER		CONDITIONS	MIN	TYP	MAX	UNIT
<b>CPEN Output Pin</b>						
V <sub>OL</sub>	CPEN low-level output voltage	I <sub>OL</sub> = 3 mA			0.3	V
V <sub>OH</sub>	CPEN high-level output voltage	I <sub>OH</sub> = -3 mA	V <sub>DD33</sub> - 0.3			V

## 6.6 Digital I/O Electrical Characteristics

over operating free-air temperature range (unless otherwise noted)

PARAMETER		TEST CONDITIONS	MIN	TYP	MAX	UNIT
<b>CLOCK</b>						
V <sub>OL</sub>	Low-level output voltage	Frequency = 60 MHz, Load = 10 pF			0.45	V
V <sub>OH</sub>	High-level output voltage		V <sub>DDIO</sub> - 0.45			V
<b>STP, DIR, NXT, DATA0 to DATA7</b>						
V <sub>OL</sub>	Low-level output voltage	Frequency = 30 MHz, Load = 10 pF			0.45	V
V <sub>OH</sub>	High-level output voltage		V <sub>DDIO</sub> - 0.45			V

## 6.7 Digital IO Pins (Non-ULPI)

over operating free-air temperature range (unless otherwise noted)

PARAMETER		TEST CONDITIONS	MIN	TYP	MAX	UNIT
<b>CS, CFG, RESETB Input Pins</b>						
V <sub>IL</sub>	Maximum low-level input voltage				0.35 x V <sub>DDIO</sub>	V
V <sub>IH</sub>	Minimum high-level input voltage		0.65 x V <sub>DDIO</sub>			V
<b>RESETB Input Pin Timing Spec</b>						
t <sub>w(POR)</sub>	Internal power-on reset pulse width		0.2			µs
t <sub>w(RESET)</sub>	External RESETB pulse width	Applied to external RESETB pin when CLOCK is toggling.	8			CLOCK cycles

## 6.8 PHY Electrical Characteristics

over operating free-air temperature range (unless otherwise noted)

PARAMETER		COMMENTS	MIN	TYP	MAX	UNIT	
<b>LS/FS Single-Ended Receivers</b>							
	USB single-ended receivers						
SK <sub>WVP_VM</sub>	Skew between VP and VM		Driver outputs unloaded		-2	0 2 ns	
V <sub>SE_HYS</sub>	Single-ended hysteresis				50	mV	
V <sub>IH</sub>	High (driven)				2	V	
V <sub>IL</sub>	Low				0.8	V	
V <sub>TH</sub>	Switching threshold				0.8	2 V	
<b>LS/FS Differential Receiver</b>							
V <sub>DI</sub>	Differential input sensitivity		Ref. USB2.0		200	mV	
V <sub>CM</sub>	Differential Common mode range		Ref. USB2.0		0.8	2.5 V	
<b>LS Transmitter</b>							
V <sub>OL</sub>	Low		Ref. USB2.0		0	300 mV	
V <sub>OH</sub>	High (driven)		Ref. USB2.0		2.8	3.6 V	
V <sub>CRS</sub>	Output signal crossover voltage		Ref. USB2.0, covered by eye diagram		1.3	2 V	
t <sub>r</sub>	Rise time		Ref. USB2.0, covered by eye diagram		75	300 ns	
t <sub>f</sub>	Fall time				75	300 ns	
t <sub>FRFM</sub>	Differential rise and fall time matching				80%	125%	
t <sub>FDRATE</sub>	Low-speed data rate		Ref. USB2.0, covered by eye diagram		1.4775	1.5225 Mb/s	
t <sub>DJ1</sub>	Source jitter total (including frequency tolerance)	To next transition	Ref. USB2.0, covered by eye diagram		-25	25	ns
t <sub>DJ2</sub>		For paired transitions			-10	10	
t <sub>FEOPT</sub>	Source SE0 interval of EOP		Ref. USB2.0, covered by eye diagram		1.25	1.5 μs	
	Downstream eye diagram		Ref. USB2.0, covered by eye diagram				
V <sub>CM</sub>	Differential common mode range		Ref. USB2.0		0.8	2.5 V	
<b>FS Transmitter</b>							
V <sub>OL</sub>	Low		Ref. USB2.0		0	300 mV	
V <sub>OH</sub>	High (driven)		Ref. USB2.0		2.8	3.6 V	
V <sub>CRS</sub>	Output signal crossover voltage		Ref. USB2.0, covered by eye diagram		1.3	2 V	
t <sub>FR</sub>	Rise time		Ref. USB2.0		4	20 ns	
t <sub>FF</sub>	Fall time		Ref. USB2.0		4	20 ns	
t <sub>FRFM</sub>	Differential rise and fall time matching		Ref. USB2.0, covered by eye diagram		90%	111.11%	
Z <sub>DRV</sub>	Driver output resistance		Ref. USB2.0		28	44 Ω	
T <sub>FDRATE</sub>	Full-speed data rate		Ref. USB2.0, covered by eye diagram		11.97	12.03 Mb/s	
t <sub>DJ1</sub>	Source jitter total (including frequency tolerance)	To next transition	Ref. USB2.0, covered by eye diagram		-2	2	ns
t <sub>DJ2</sub>		For paired transitions			-1	1	
T <sub>FEOPT</sub>	Source SE0 interval of EOP		Ref. USB2.0, covered by eye diagram		160	175 ns	
	Downstream eye diagram		Ref. USB2.0, covered by eye diagram				
	Upstream eye diagram						



## 6.8 PHY Electrical Characteristics (continued)

over operating free-air temperature range (unless otherwise noted)

PARAMETER		COMMENTS	MIN	TYP	MAX	UNIT
<b>HS Differential Receiver</b>						
VHSSQ	High-speed squelch detection threshold (differential signal amplitude)	Ref. USB2.0	100		150	mV
VHSDSC	High-speed disconnect detection threshold (differential signal amplitude)	Ref. USB2.0	525		625	mV
	High-speed differential input signaling levels	Ref. USB2.0, specified by eye pattern templates				mV
VHSCM	High-speed data signaling common mode voltage range (guidelines for receiver)	Ref. USB2.0	-50		500	mV
	Receiver jitter tolerance	Ref. USB2.0, specified by eye pattern templates			150	ps
<b>HS Transmitter</b>						
V <sub>H</sub> SOI	High-speed idle level	Ref. USB2.0	-10		10	mV
V <sub>H</sub> SOH	High-speed data signaling high	Ref. USB2.0	360		440	mV
V <sub>H</sub> SOL	High-speed data signaling low	Ref. USB2.0	-10		10	mV
VCHIRPJ	Chirp J level (differential voltage)	Ref. USB2.0	700		1100	mV
VCHIRPK	Chirp K level (differential voltage)	Ref. USB2.0	-900		-500	mV
t <sub>r</sub>	Rise Time (10% - 90%)	Ref. USB2.0, covered by eye diagram	500			ps
t <sub>f</sub>	Fall time (10% - 90%)	Ref. USB2.0, covered by eye diagram	500			ps
ZHSDRV	Driver output resistance (which also serves as high-speed termination)	Ref. USB2.0	40.5		49.5	Ω
THSDRAT	High-speed data range	Ref. USB2.0, covered by eye diagram	479.76		480.24	Mb/s
	Data source jitter	Ref. USB2.0, covered by eye diagram				
	Downstream eye diagram	Ref. USB2.0, covered by eye diagram				
	Upstream eye diagram	Ref. USB2.0, covered by eye diagram				
<b>CEA-2011/UART Transceiver</b>						
	UART Transmitter CEA-2011					
t <sub>PH_UART_EDGE</sub>	Phone UART edge rates	DP_PULLDOWN asserted			1	Ms
V <sub>OH_SER</sub>	Serial interface output high	ISOURCE = 4 mA	2.4	3.3	3.6	V
V <sub>OL_SER</sub>	Serial interface output low	ISINK = -4 mA	0	0.1	0.4	V
	UART Receiver CEA-2011					
V <sub>H_SER</sub>	Serial interface input high	DP_PULLDOWN asserted	2			V
V <sub>IL_SER</sub>	Serial interface input low	DP_PULLDOWN asserted			0.8	V
V <sub>TH</sub>	Switching threshold		0.8		2	V

## 6.9 Pullup/Pulldown Resistors

over operating free-air temperature range (unless otherwise noted)

PARAMETER		COMMENTS	MIN	TYP	MAX	UNIT
RPUI	Bus pullup resistor on upstream port (idle bus)	Bus idle	0.9	1.1	1.575	k $\Omega$
RPUA	Bus pullup resistor on upstream port (receiving)	Bus driven/driver's outputs unloaded	1.425	2.2	3.09	
VIHZ	High (floating)	Pullups/pulldowns on both DP and DM lines	2.7		3.6	V
VPH_DP_UP	Phone D+ pullup voltage	Driver's outputs unloaded	3	3.3	3.6	V
	Pulldown resistors					
RPH_DP_DWN	Phone D+/- pulldown	Driver's outputs unloaded	14.25	18	24.8	k $\Omega$
RPH_DM_DWN						
V <sub>IHZ</sub>	High (floating)	Pullups/pulldowns on both DP and DM lines	2.7		3.6	V
	D+/- Data line					
C <sub>INUB</sub>	Upstream facing port	[1.0]		22	75	pF
V <sub>OTG_DATA_LKG</sub>	On-the-go device leakage	[2]			0.342	V
Z <sub>INP</sub>	Input impedance exclusive of pullup/pulldown	Driver's outputs unloaded	300			k $\Omega$

## 6.10 OTG Electrical Characteristics

over operating free-air temperature range (unless otherwise noted)

PARAMETER		COMMENTS	MIN	TYP	MAX	UNIT
OTG V <sub>BUS</sub> Electrical						
<b>V<sub>BUS</sub> Comparators</b>						
VA_SESS_VLD	A-device session valid		0.8	1.4	2.0	V
VA_VBUS_VLD	A-device V <sub>BUS</sub> valid		4.4	4.5	4.625	V
VB_SESS_END	B-device session end		0.2	0.5	0.8	V
VB_SESS_VLD	B-device session valid		2.1	2.4	2.7	V
<b>V<sub>BUS</sub> Line</b>						
RA_BUS_IN	A-device V <sub>BUS</sub> input impedance to ground	SRP (V <sub>BUS</sub> pulsing) capable A-device not driving V <sub>BUS</sub>	40	70	100	k $\Omega$
RB_SRP_DWN	B-device V <sub>BUS</sub> SRP pulldown	5.25 V / 8 mA, Pullup voltage = 3 V	0.656	10		k $\Omega$
RB_SRP_UP	B-device V <sub>BUS</sub> SRP pullup	(5.25 V – 3 V) / 8 mA, Pullup voltage = 3 V	0.281	1	2	k $\Omega$
t <sub>RISE_SRP_UP_MAX</sub>	B-device V <sub>BUS</sub> SRP rise time maximum for OTG-A communication	0 to 2.1 V with < 13 $\mu$ F load				ms
					31.4	
					57.8	
					64	
					85.4	

## 6.10 OTG Electrical Characteristics (continued)

over operating free-air temperature range (unless otherwise noted)

PARAMETER		COMMENTS		MIN	TYP	MAX	UNIT
t <sub>RISE_SRP_UP_MIN</sub>	B-device V <sub>BUS</sub> SRP rise time minimum for standard host connection	0.8 to 2 V with > 97 μF load	RV <sub>BUS</sub> = 0 Ω and R1KSERIES = '0'	46.2			ms
			RV <sub>BUS</sub> = 1000 Ω ±10% and R1KSERIES = '1'	96			
			RV <sub>BUS</sub> = 1200 Ω ±10% and R1KSERIES = '1'	100			
			RV <sub>BUS</sub> = 1800 Ω ±10% and R1KSERIES = '1'	100			

## 6.11 OTG ID Electrical

over operating free-air temperature range (unless otherwise noted)

PARAMETER		COMMENTS		MIN	TYP	MAX	UNIT
<b>ID Comparators — ID External Resistors Specifications</b>							
R <sub>ID_GND</sub>	ID ground comparator	ID_GND interrupt		12	20	28	kΩ
R <sub>ID_FLOAT</sub>	ID Float comparator	ID_FLOAT interrupt		200		500	kΩ
	ID Line						
R <sub>PH_ID_UP</sub>	Phone ID pullup to VPH_ID_UP	ID unloaded (V <sub>RUSB</sub> )		70	90	286	kΩ
V <sub>PH_ID_UP</sub>	Phone ID pullup voltage	Connected to V <sub>RUSB</sub>		2.5		3.2	V
	ID line maximum voltage					5.25	V

## 6.12 Power Characteristics

over operating free-air temperature range (unless otherwise noted)

PARAMETER		TEST CONDITIONS		MIN	TYP	MAX	UNIT
<b>V<sub>DD33</sub> Internal LDO Regulator Characteristics</b>							
V <sub>INVDD33</sub>	Input voltage	V <sub>BAT</sub> USB		V <sub>VDD33</sub> typ + 0.2	3.6	4.5	V
V <sub>VDD33</sub>	Output voltage	ON mode,	VUSB3V3_VSEL = '000	2.4	2.5	2.6	V
			VUSB3V3_VSEL = '001	2.65	2.75	2.85	
			VUSB3V3_VSEL = '010	2.9	3.0	3.1	
			VUSB3V3_VSEL = '011 (default)	3.0	3.1	3.2	
			VUSB3V3_VSEL = '100	3.1	3.2	3.3	
			VUSB3V3_VSEL = '101	3.2	3.3	3.4	
			VUSB3V3_VSEL = '110	3.3	3.4	3.5	
I <sub>VDD33</sub>	Rated output current	V <sub>BAT</sub> USB	Active mode			15	mA
			Suspend/reset mode			1	
<b>V<sub>DD15</sub> Internal LDO Regulator Characteristics</b>							
V <sub>IN VDD15</sub>	Input voltage		On mode, V <sub>IN VDD15</sub> = V <sub>BAT</sub>	2.7	3.6	4.5	V
V <sub>VDD15</sub>	Output voltage		V <sub>INVDD15</sub> min – V <sub>INVDD15</sub> max	1.45	1.56	1.65	V
I <sub>VDD15</sub>	Rated output current		On mode			30	mA

## 6.13 Switching Characteristics

over operating free-air temperature range (unless otherwise noted)

PARAMETER		TEST CONDITIONS	MIN	TYP	MAX	UNIT
<b>Electrical Characteristics: Clock Input</b>						
	Clock input duty cycle		40		60%	
$f_{CLK}$	Clock nominal frequency			60		MHz
	Clock input rise/fall time	In % of clock period $t_{CLK} (= 1/f_{CLK})$			10%	
	Clock input frequency accuracy				250	ppm
	Clock input integrated jitter				600	ps rms
<b>Electrical Characteristics: REFCLK</b>						
	REFCLK input duty cycle		40		60%	
$f_{REFCLK}$	REFCLK nominal frequency	When CFG pin is tied to GND		19.2		MHz
		When CFG pin is tied to $V_{DDIO}$		26		
	REFCLK input rise/fall time	In % of clock period $t_{REFCLK} (= 1/f_{REFCLK})$			20%	
	REFCLK input frequency accuracy				250	ppm
	REFCLK input integrated jitter				600	ps rms
	REFCLK HIZ Leakage current				3	$\mu A$
	REFCLK HIZ Leakage current		-3			
<b>Digital IO Electrical Characteristics: CLOCK</b>						
$t_r$	Rise time	Frequency = 60 MHz, Load = 10 pF			1	ns
$t_f$	Fall time	Frequency = 30 MHz, Load = 10 pF			1	ns
<b>Digital IO Electrical Characteristics: STP, DIR, NXT, DATA0 to DATA7</b>						
$t_r$	Rise time	Frequency = 30 MHz, Load = 10 pF			1	ns
$t_f$	Fall time				1	ns

## 6.14 Timing Requirements

PARAMETER		INPUT CLOCK		OUTPUT CLOCK		UNIT
		MIN	MAX	MIN	MAX	
<b>ULPI Interface Timing</b>						
$t_{SC}, t_{SD}$	Set-up time (control in, 8-bit data in)	3		6		ns
$t_{SC}, t_{HD}$	Hold time (control in, 8-bit data in)	1.5		0		ns
$t_{DC}, t_{DD}$	Output delay (control out, 8-bit data out)		6	1.2	5	ns
<b>USB UART Interface Timing</b>						
$t_{PH\_DP\_CON}$	Phone D+ connect time	100				ms
$t_{PH\_DISC\_DET}$	Phone D+ disconnect time	150				ms
$f_{UART\_DFLT}$	Default UART signaling rate (typical rate)		9600			bps

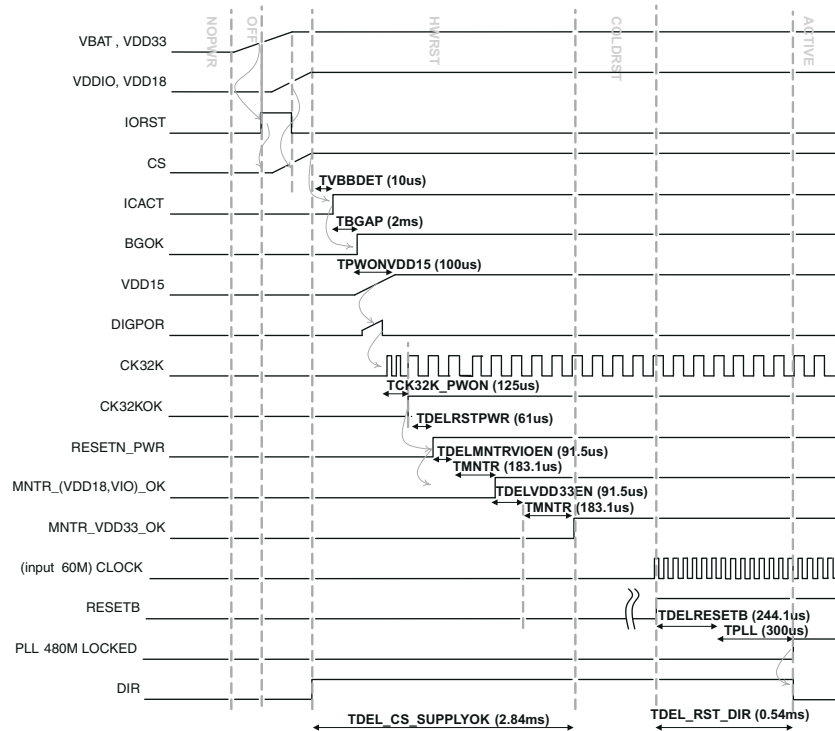


Figure 6-1. TUSB1210 Power-Up Timing (ULPI Clock Input Mode)

Table 6-1. Timers and Debounce

PARAMETER	COMMENTS	MIN	TYP	MAX	UNIT
$t_{DEL\_CS\_SUPPLYOK}$	Chip-select-to-supplies OK delay		2.84	4.10	ms
$t_{DEL\_RST\_DIR}$	RESETB to PHY PLL locked and DIR falling-edge delay		0.54	0.647	ms
$t_{VBBDDET}$	$V_{BAT}$ detection delay		10		$\mu$ s
$t_{BGAP}$	Bandgap power-on delay		2		ms
$t_{PWONVDD15}$	$V_{DD15}$ power-on delay		100		$\mu$ s
$t_{PWONCK32K}$	32-KHz RC-OSC power-on delay		125		$\mu$ s
$t_{DELRSTPWR}$	Power control reset delay		61		$\mu$ s
$t_{DELMNTRVIOEN}$	Monitor enable delay		91.5		$\mu$ s
$t_{MNTR}$	Supply monitoring debounce		183.1		$\mu$ s
$t_{DELVDD33EN}$	$V_{DD33}$ LDO enable delay		93.75		$\mu$ s
$t_{DELRESETB}$	RESETB internal delay		244.1		$\mu$ s
$t_{PLL}$	PLL lock time		300		$\mu$ s

### 6.14.1 Timing Parameter Definitions

The timing parameter symbols used in the timing requirement and switching characteristic tables are created in accordance with JEDEC Standard 100. To shorten the symbols, some pin names and other related terminologies have been abbreviated as shown in [Table 6-2](#).

**Table 6-2. Timing Parameter Definitions**

LOWERCASE SUBSCRIPTS	
SYMBOL	PARAMETER
C	Cycle time (period)
D	Delay time
Dis	Disable time
En	Enable time
H	Hold time
Su	Setup time
START	Start bit
T	Transition time
V	Valid time
W	Pulse duration (width)
X	Unknown, changing, or don't care level
H	High
L	Low
V	Valid
IV	Invalid
AE	Active edge
FE	First edge
LE	Last edge
Z	High impedance

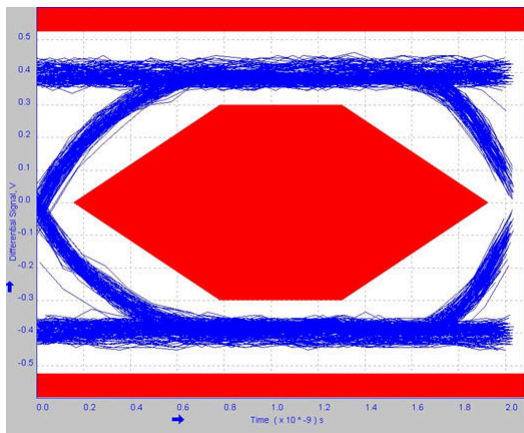
### 6.14.2 Interface Target Frequencies

[Table 6-3](#) assumes testing over the recommended operating conditions.

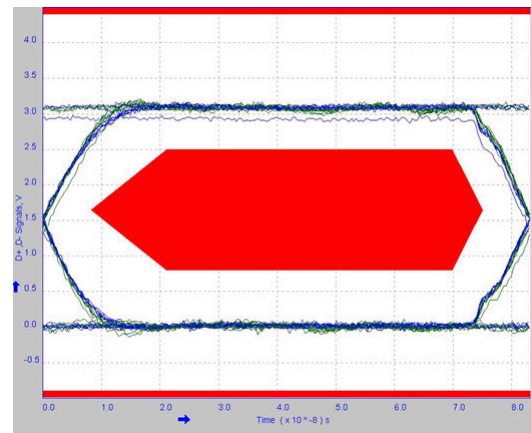
**Table 6-3. TUSB1210 Interface Target Frequencies**

IO INTERFACE	INTERFACE DESIGNATION	TARGET FREQUENCY 1.5 V
USB	High speed	480 Mbits/s
	Full speed	12 Mbits/s
	Low speed	1.5 Mbits/s

## 6.15 Typical Characteristics



**Figure 6-2. High-Speed Eye Diagram**



**Figure 6-3. Full-Speed Eye Diagram**

## 7 Detailed Description

### 7.1 Overview

The TUSB1210 is a USB2.0 transceiver chip, designed to interface with a USB controller through a ULPI interface. It supports all USB2.0 data rates High-Speed, Full-Speed, and Low-Speed. Compliant to Host and Peripheral (OTG) modes. It additionally supports a UART mode and legacy ULPI serial modes. TUSB1210 Integrates a 3.3-V LDO, which makes it flexible to work with either battery operated systems or pure 3.3 V supplied systems. Also, it has an integrated PLL Supporting 2 Clock Frequencies 19.2 MHz/26 MHz. The ULPI clock pin (60 MHz) supports input and output clock configurations. TUSB1210 has low power consumption, optimized for portable devices, and complete USB OTG Physical Front-End that supports Host Negotiation Protocol (HNP) and Session Request Protocol (SRP).

TUSB1210 is optimized to be interfaced through a 12-pin SDR UTMI Low Pin Interface (ULPI), supporting both input clock and output clock modes, with 1.8 V interface supply voltage.

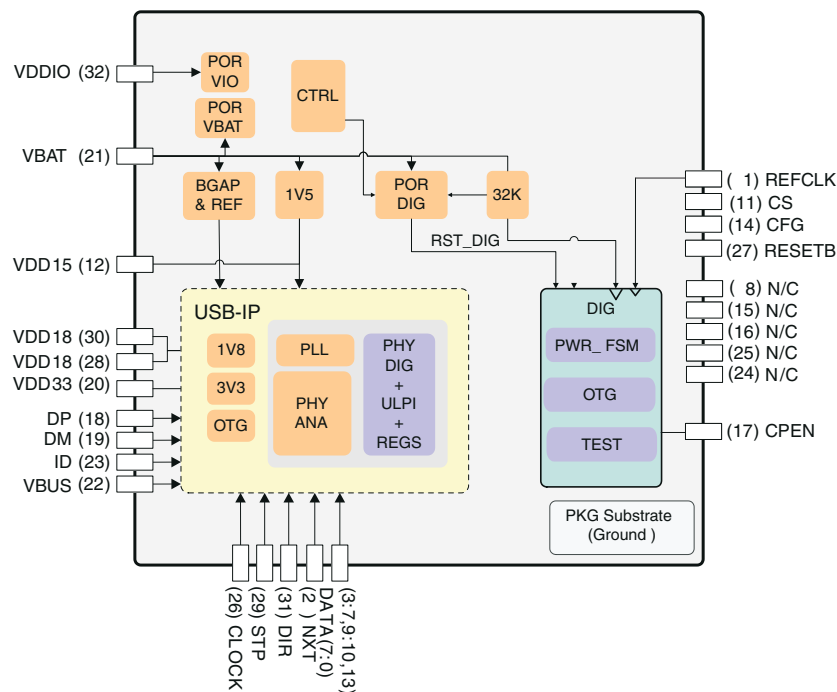
TUSB1210 integrates a 3.3 V LDO, which makes it flexible to work with either battery operated systems or pure 3.3 V supplied systems. Both the main supply and the 3.3 V power domain can be supplied through an external switched-mode converter for optimized power efficiency.

TUSB1210 includes a POR circuit to detect supply presence on  $V_{BAT}$  and  $V_{DDIO}$  pins. TUSB1210 can be disabled or configured in low power mode for energy saving.

TUSB1210 is protected against accidental shorts to 5 V or ground on its exposed interface (DP/DM/ID). It is also protected against up to 20 V surges on  $V_{BUS}$ .

TUSB1210 integrates a high-performance low-jitter 480 MHz PLL and supports two clock configurations. Depending on the required link configuration, TUSB1210 supports both ULPI input and output clock mode: input clock mode, in which case a square-wave 60 MHz clock is provided to TUSB1210-Q1 at the ULPI interface CLOCK pin; and output clock mode in which case TUSB1210 can accept a square-wave reference clock at REFCLK of either 19.2 MHz, 26 MHz. Frequency is indicated to TUSB1210 via the configuration pin CFG. This can be useful if a reference clock is already available in the system.

### 7.2 Functional Block Diagram





## 7.3 Feature Description

### 7.3.1 Processor Subsystem

#### 7.3.1.1 Clock Specifications

##### 7.3.1.1.1 USB PLL Reference Clock

The USB PLL block generates the clocks used to synchronize:

- The ULPI interface (60 MHz clock)
- The USB interface (depending on the USB data rate, 480 Mbps, 12 Mbps, or 1.5 Mbps)

TUSB1210 requires an external reference clock which is used as an input to the 480 MHz USB PLL block. Depending on the clock configuration, this reference clock can be provided either at REFCLK pin or at CLOCK pin. By default CLK pin is configured as an input.

Two clock configurations are possible:

- Input clock configuration (see [Section 7.3.1.1.2](#))
- Output clock configuration (see [Section 7.3.1.1.3](#))

##### 7.3.1.1.2 ULPI Input Clock Configuration

In this mode, REFCLK must be externally tied to GND. CLOCK remains configured as an input.

When the ULPI interface is used in input clock configuration, that is, the 60 MHz ULPI clock is provided to TUSB1210 on Clock pin, then this is used as the reference clock for the 480 MHz USB PLL block. See [Section 6.13](#).

##### 7.3.1.1.3 ULPI Output Clock Configuration

In this mode, a reference clock must be externally provided on the REFCLK pin. When an input clock is detected on the REFCLK pin, then CLK is automatically changed to an output. For example, 60 MHz ULPI clock is the TUSB1210 devices output on the CLK pin.

Two reference clock input frequencies are supported. REFCLK input frequency is communicated to TUSB1210 through a configuration pin, CFG. See  $f_{REFCLK}$  in [Table 8-3](#) for frequency correspondence. TUSB1210 supports square-wave reference clock input only. Reference clock input must be square-wave of amplitude in the range 3 V to 3.6 V. See [Section 6.13](#).

##### 7.3.1.1.4 Clock 32 kHz

An internal clock generator running at 32 kHz has been implemented to provide a low-speed, low-power clock to the system See [Section 7.3.1.1.4](#).

##### 7.3.1.1.5 Reset

All logic is reset if CS = 0 or  $V_{BAT}$  are not present.

All logic (except 32 kHz logic) is reset if  $V_{DDIO}$  is not present.

PHY logic is reset when any supplies are not present ( $V_{DDIO}$ ,  $V_{DD15}$ ,  $V_{DD18}$ , and  $V_{DD33}$ ) or if RESETB pin is low.

TUSB1210 may be reset manually by toggling the RESETB pin to GND for at least 200 ns.

If manual reset through RESETB is not required, then RESETB pin may be tied to  $V_{DDIO}$  permanently.

#### 7.3.1.2 USB Transceiver

The TUSB1210 device includes a universal serial bus (USB) on-the-go (OTG) transceiver that supports USB 480 Mb/s high-speed (HS), 12 Mb/s full-speed (FS), and USB 1.5 Mb/s low-speed (LS) through a 12-pin UTMI+ low pin interface (ULPI).

---

**Note**

LS device mode is not allowed by a USB2.0 HS capable PHY, therefore it is not supported by TUSB1210. This is stated in USB2.0 standard Chapter 7, page 119, second paragraph: “A *high-speed capable upstream facing transceiver must not support low-speed signaling mode.*” There is also some related commentary in Chapter 7.1.2.3.

---

**7.3.1.2.1 PHY Electrical Characteristics**

The PHY is the physical signaling layer of the USB 2.0. It essentially contains all the drivers and receivers required for physical data and protocol signaling on the DP and DM lines.

The PHY interfaces to the USB controller through a standard 12-pin digital interface called UTMI+ low pin interface (ULPI).

The transmitters and receivers inside the PHY are classified into two main classes.

- The full-speed (FS) and low-speed (LS) transceivers. These are the legacy USB1.x transceivers.
- The HS (HS) transceivers

To bias the transistors and run the logic, the PHY also contains reference generation circuitry which consists of:

- A DPLL which does a frequency multiplication to achieve the 480-MHz low-jitter lock necessary for USB and also the clock required for the switched capacitor resistance block.
- A switched capacitor resistance block which is used to replicate an external resistor on chip.

Built-in pullup and pulldown resistors are used as part of the protocol signaling.

Apart from this, the PHY also contains circuitry which protects it from accidental 5-V short on the DP and DM lines.

**7.3.1.2.1.1 LS/FS Single-Ended Receivers**

In addition to the differential receiver, there is a single-ended receiver (SE–, SE+) for each of the two data lines D+/–. The main purpose of the single-ended receivers is to qualify the D+ and D– signals in the full-speed/low-speed modes of operation. See [Section 6.8](#).

**7.3.1.2.1.2 LS/FS Differential Receiver**

A differential input receiver (Rx) retrieves the LS/FS differential data signaling. The differential voltage on the line is converted into digital data by a differential comparator on DP/DM. This data is then sent to a clock and data recovery circuit which recovers the clock from the data. An additional serial mode exists in which the differential data is directly output on the RXRCV pin. See [Section 6.13](#).

**7.3.1.2.1.3 LS/FS Transmitter**

The USB transceiver (Tx) uses a differential output driver to drive the USB data signal D+/– onto the USB cable. The driver's outputs support 3-state operation to achieve bidirectional half-duplex transactions. See [Section 6.13](#).

**7.3.1.2.1.4 HS Differential Receiver**

The HS receiver consists of the following blocks:

A differential input comparator to receive the serial data

- A squelch detector to qualify the received data
- An oversampler-based clock data recovery scheme followed by a NRZI decoder, bit unstuffing, and serial-to-parallel converter to generate the ULPI DATAOUT

See [Section 6.13](#).

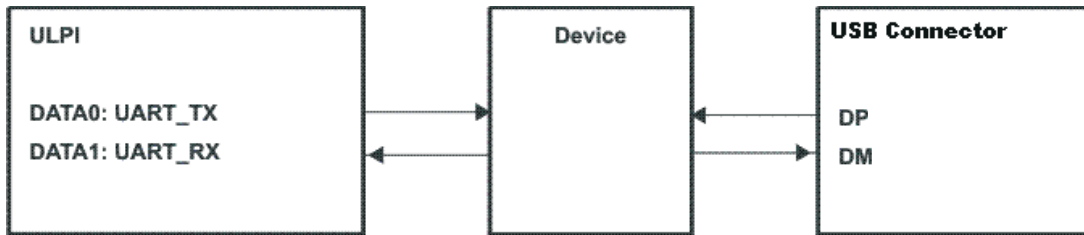
#### 7.3.1.2.1.5 HS Differential Transmitter

The HS transmitter is always operated via the ULPI parallel interface. The parallel data on the interface is serialized, bit stuffed, NRZI encoded, and transmitted as a dc output current on DP or DM depending on the data. Each line has an effective 22.5  $\Omega$  load to ground, which generates the voltage levels for signaling.

A disconnect detector is also part of the HS transmitter. A disconnect on the far end of the cable causes the impedance seen by the transmitter to double thereby doubling the differential amplitude seen on the DP/DM lines of [Section 6.13](#).

#### 7.3.1.2.1.6 UART Transceiver

In this mode, the ULPI data bus is redefined as a 2-pin UART interface, which exchanges data through a direct access to the FS/LS analog transmitter and receiver. See [Section 6.13](#).



**Figure 7-1. USB UART Data Flow**

#### 7.3.1.2.2 OTG Characteristics

The on-the-go (OTG) block integrates three main functions:

- The USB plug detection function on  $V_{BUS}$  and ID
- The ID resistor detection
- The  $V_{BUS}$  level detection

See [Section 6.10](#).

## 7.4 Device Functional Modes

### 7.4.1 TUSB1210 Modes vs ULPI Pin Status

Table 7-1, Table 7-2, and Table 7-3 show the status of each of the 12 ULPI pins including input or output direction and whether output pins are driven to '0' or to '1', or pulled up or pulled down through the internal pullup or pulldown resistors.

Note that pullup or pulldown resistors are automatically replaced by driven '1'/'0' levels respectively once internal IORST is released, with the exception of the pullup on STP which is maintained in all modes.

Pin assignment changes in ULPI 3-pin serial mode, ULPI 6-pin serial mode, and UART mode. Unused pins are tied low in these modes as shown below.

**Table 7-1. TUSB1210 Modes vs ULPI Pin Status:ULPI Synchronous Mode Power-Up**

		ULPI SYNCHRONOUS MODE POWER-UP							
		UNTIL IORST RELEASE		PLL OFF		PLL ON + STP HIGH		PLL ON + STP LOW	
PIN NO.	PIN NAME	DIR	PU/PD	DIR	PU/PD	DIR	PU/PD	DIR	PU/PD
26	CLOCK	Hiz	PD	I	PD	IO	—	IO	—
31	DIR	Hiz	PU	O, ('1')	—	O, ('0')	—	O	—
2	NXT	Hiz	PD	O, ('0')	—	O, ('0')	—	O	—
29	STP	Hiz	PU	I	PU	I	PU	I	PU
3	DATA0	Hiz	PD	O, ('0')	—	I	PD	IO	—
4	DATA1	Hiz	PD	O, ('0')	—	I	PD	IO	—
5	DATA2	Hiz	PD	O, ('0')	—	I	PD	IO	—
6	DATA3	Hiz	PD	O, ('0')	—	I	PD	IO	—
7	DATA4	Hiz	PD	O, ('0')	—	I	PD	IO	—
9	DATA5	Hiz	PD	O, ('0')	—	I	PD	IO	—
10	DATA6	Hiz	PD	O, ('0')	—	I	PD	IO	—
13	DATA7	Hiz	PD	O, ('0')	—	I	PD	IO	—

**Table 7-2. TUSB1210 Modes vs ULPI Pin Status: USB Suspend Mode**

		SUSPEND MODE		LINK / EXTERNAL RECOMMENDED SETTING DURING SUSPEND MODE	
PIN NO.	PIN NAME	DIR	PU/PD	DIR	PU/PD
26	CLOCK	I	—	O	—
31	DIR	O, ('1')	—	I	—
2	NXT	O, ('0')	—	I	—
29	STP	I	PU <sup>(1)</sup>	O, ('0')	—
3	DATA0	O, (LINESTATE0)	—	I	—
4	DATA1	O, (LINESTATE1)	—	I	—
5	DATA2	O, ('0')	—	I	—
6	DATA3	O, (INT)	—	I	—
7	DATA4	O, ('0')	—	I	—
9	DATA5	O, ('0')	—	I	—
10	DATA6	O, ('0')	—	I	—
13	DATA7	O, ('0')	—	I	—

(1) Can be disabled by software before entering Suspend Mode to reduce current consumption

**Table 7-3. TUSB1210 Modes vs ULPI Pin Status: ULPI 6-Pin Serial Mode and UART Mode**

PIN NO.	ULPI 6-PIN SERIAL MODE			ULPI 3-PIN SERIAL MODE			UART MODE		
	PIN NAME	DIR	PU/PD	PIN NAME	DIR	PU/PD	PIN NAME	DIR	PU/PD
26	CLOCK (1)	IO	—	CLOCK (1)	IO	—	CLOCK (1)	IO	—
31	DIR	O	—	DIR	O	—	DIR	O	—
2	NXT	O	—	NXT	O	—	NXT	O	—
29	STP	I	PU	STP	I	PU	STP	I	PU
3	TX_ENABLE	I	—	TX_ENABLE	I	—	TXD	I	—
4	TX_DAT	I	—	DAT	IO	—	RXD	IO	—
5	TX_SE0	I	—	SE0	IO	—	tie low	O	—
6	INT	O	—	INT	O	—	INT	O	—
7	RX_DP	O	—	tie low	O	—	tie low	O	—
9	RX_DM	O	—	tie low	O	—	tie low	O	—
10	RX_RCV	O	—	tie low	O	—	tie low	O	—
13	tie low	O	—	tie low	O	—	tie low	O	—

## 7.5 Register Map

**Table 7-4. USB Register Summary**

REGISTER NAME	TYPE	REGISTER WIDTH (BITS)	PHYSICAL ADDRESS
VENDOR_ID_LO	R	8	0x00
VENDOR_ID_HI	R	8	0x01
PRODUCT_ID_LO	R	8	0x02
PRODUCT_ID_HI	R	8	0x03
FUNC_CTRL	RW	8	0x04
FUNC_CTRL_SET	RW	8	0x05
FUNC_CTRL_CLR	RW	8	0x06
IFC_CTRL	RW	8	0x07
IFC_CTRL_SET	RW	8	0x08
IFC_CTRL_CLR	RW	8	0x09
OTG_CTRL	RW	8	0x0A
OTG_CTRL_SET	RW	8	0x0B
OTG_CTRL_CLR	RW	8	0x0C
USB_INT_EN_RISE	RW	8	0x0D
USB_INT_EN_RISE_SET	RW	8	0x0E
USB_INT_EN_RISE_CLR	RW	8	0x0F
USB_INT_EN_FALL	RW	8	0x10
USB_INT_EN_FALL_SET	RW	8	0x11
USB_INT_EN_FALL_CLR	RW	8	0x12
USB_INT_STS	R	8	0x13
USB_INT_LATCH	R	8	0x14
DEBUG	R	8	0x15
SCRATCH_REG	RW	8	0x16
SCRATCH_REG_SET	RW	8	0x17
SCRATCH_REG_CLR	RW	8	0x18
Reserved	R	8	0x19 0x2E
ACCESS_EXT_REG_SET	RW	8	0x2F
Reserved	R	8	0x30 0x3C
VENDOR_SPECIFIC1	RW	8	0x3D
VENDOR_SPECIFIC1_SET	RW	8	0x3E
VENDOR_SPECIFIC1_CLR	RW	8	0x3F
VENDOR_SPECIFIC2	RW	8	0x80
VENDOR_SPECIFIC2_SET	RW	8	0x81
VENDOR_SPECIFIC2_CLR	RW	8	0x82
VENDOR_SPECIFIC1_STS	R	8	0x83
VENDOR_SPECIFIC1_LATCH	R	8	0x84
VENDOR_SPECIFIC3	RW	8	0x85
VENDOR_SPECIFIC3_SET	RW	8	0x86
VENDOR_SPECIFIC3_CLR	RW	8	0x87

### 7.5.1 VENDOR\_ID\_LO

<b>ADDRESS OFFSET</b>	0x00		
<b>PHYSICAL ADDRESS</b>	0x00	<b>INSTANCE</b>	USB_SCUSB
<b>DESCRIPTION</b>	Lower byte of vendor ID supplied by USB-IF (TI Vendor ID = 0x0451)		
<b>TYPE</b>	R		
<b>WRITE LATENCY</b>			

7	6	5	4	3	2	1	0
VENDOR_ID							

BITS	FIELD NAME	DESCRIPTION	TYPE	RESET
7:00	VENDOR_ID		R	0x51

### 7.5.2 VENDOR\_ID\_HI

<b>ADDRESS OFFSET</b>	0x01		
<b>PHYSICAL ADDRESS</b>	0x01	<b>INSTANCE</b>	USB_SCUSB
<b>DESCRIPTION</b>	Upper byte of vendor ID supplied by USB-IF (TI Vendor ID = 0x0451)		
<b>TYPE</b>	R		
<b>WRITE LATENCY</b>			

7	6	5	4	3	2	1	0
VENDOR_ID							

BITS	FIELD NAME	DESCRIPTION	TYPE	RESET
7:00	VENDOR_ID		R	0x04

### 7.5.3 PRODUCT\_ID\_LO

<b>ADDRESS OFFSET</b>	0x02		
<b>PHYSICAL ADDRESS</b>	0x02	<b>INSTANCE</b>	USB_SCUSB
<b>DESCRIPTION</b>	Lower byte of Product ID supplied by Vendor (TUSB1210 Product ID is 0x1507).		
<b>TYPE</b>	R		
<b>WRITE LATENCY</b>			

7	6	5	4	3	2	1	0
PRODUCT_ID							

BITS	FIELD NAME	DESCRIPTION	TYPE	RESET
7:00	PRODUCT_ID		R	0x07

### 7.5.4 PRODUCT\_ID\_HI

<b>ADDRESS OFFSET</b>	0x03		
<b>PHYSICAL ADDRESS</b>	0x03	<b>INSTANCE</b>	USB_SCUSB
<b>DESCRIPTION</b>	Upper byte of Product ID supplied by Vendor (TUSB1210 Product ID is 0x1507).		
<b>TYPE</b>	R		
<b>WRITE LATENCY</b>			

7	6	5	4	3	2	1	0
PRODUCT_ID							

BITS	FIELD NAME	DESCRIPTION	TYPE	RESET
7:00	PRODUCT_ID	R	0x15	

### 7.5.5 FUNC\_CTRL

<b>ADDRESS OFFSET</b>	0x04		
<b>PHYSICAL ADDRESS</b>	0x04	<b>INSTANCE</b>	USB_SCUSB
<b>DESCRIPTION</b>	Controls UTMI function settings of the PHY.		
<b>TYPE</b>	RW		
<b>WRITE LATENCY</b>			

7	6	5	4	3	2	1	0
Reserved	SUSPENDM	RESET	OPMODE		TERMSELECT	XCVRSELECT	

BITS	FIELD NAME	DESCRIPTION	TYPE	RESET
7	Reserved		R	0
6	SUSPENDM	Active low PHY suspend. Put PHY into Low Power Mode. In Low Power Mode the PHY power down all blocks except the full speed receiver, OTG comparators, and the ULPI interface pins. The PHY automatically set this bit to '1' when Low Power Mode is exited.	RW	1
5	RESET	Active high transceiver reset. Does not reset the ULPI interface or ULPI register set.  Once set, the PHY asserts the DIR signal and reset the UTMI core. When the reset is completed, the PHY de-asserts DIR and clears this bit. After de-asserting DIR, the PHY re-assert DIR and send an RX command update.  Note: This bit is auto-cleared, this explain why it can't be read at '1'.	RW	0
4:03	OPMODE	Select the required bit encoding style during transmit 0x0: Normal operation 0x1: Non-driving 0x2: Disable bit-stuff and NRZI encoding 0x3: Reserved (No SYNC and EOP generation feature not supported)	RW	0x0
2	TERMSELECT	Controls the internal 1.5K $\Omega$ s pull-up resistor and 45 $\Omega$ s HS terminations. Control over bus resistors changes depending on XcwrSelect, OpMode, DpPulldown and DmPulldown.	RW	0



BITS	FIELD NAME	DESCRIPTION	TYPE	RESET
1:00	XCVRSELECT	Select the required transceiver speed. 0x0: Enable HS transceiver 0x1: Enable FS transceiver 0x2: Enable LS transceiver 0x3: Enable FS transceiver for LS packets (FS preamble is automatically pre-pended)	RW	0x1

### 7.5.6 FUNC\_CTRL\_SET

<b>ADDRESS OFFSET</b>	0x05		
<b>PHYSICAL ADDRESS</b>	0x05	<b>INSTANCE</b>	USB_SCUSB
<b>DESCRIPTION</b>	This register does not physically exist. It is the same as the func_ctrl register with read/set-only property (write '1' to set a particular bit, a write '0' has no-action).		
<b>TYPE</b>	RW		
<b>WRITE LATENCY</b>			

7	6	5	4	3	2	1	0
Reserved	SUSPENDM	RESET	OPMODE	TERMSELECT	XCVRSELECT		

BITS	FIELD NAME	DESCRIPTION	TYPE	RESET
7	Reserved		R	0
6	SUSPENDM		RW	1
5	RESET		RW	0
4:03	OPMODE		RW	0x0
2	TERMSELECT		RW	0
1:00	XCVRSELECT		RW	0x1

## 7.5.7 FUNC\_CTRL\_CLR

<b>ADDRESS OFFSET</b>	0x06		
<b>PHYSICAL ADDRESS</b>	0x06	<b>INSTANCE</b>	USB_SCUSB
<b>DESCRIPTION</b>	<p>This register does not physically exist.</p> <p>It is the same as the func_ctrl register with read/clear-only property (write '1' to clear a particular bit, a write '0' has no-action).</p>		
<b>TYPE</b>	RW		
<b>WRITE LATENCY</b>			

7	6	5	4	3	2	1	0
Reserved	SUSPENDM	RESET	OPMODE	TERMSELECT	XCVRSELECT		

BITS	FIELD NAME	DESCRIPTION	TYPE	RESET
7	Reserved		R	0
6	SUSPENDM		RW	1
5	RESET		RW	0
4:03	OPMODE		RW	0x0
2	TERMSELECT		RW	0
1:00	XCVRSELECT		RW	0x1

### 7.5.8 IFC\_CTRL

<b>ADDRESS OFFSET</b>	0x07		
<b>PHYSICAL ADDRESS</b>	0x07	<b>INSTANCE</b>	USB_SCUSB
<b>DESCRIPTION</b>	Enables alternative interfaces and PHY features.		
<b>TYPE</b>	RW		
<b>WRITE LATENCY</b>			

7	6	5	4	3	2	1	0
INTERFACE_PROTECT_DISABLE	INDICATORPASSTHRU	INDICATORCOMPLEMENT	AUTORESUME	CLOCKSUSPENDM	CARKITMODE	FSLSSERIALMODE_3PIN	FSLSSERIALMODE_6PIN

BITS	FIELD NAME	DESCRIPTION	TYPE	RESET
7	INTERFACE_PROTECT_DISABLE	Controls circuitry built into the PHY for protecting the ULPI interface when the link tri-states stp and data. 0b: Enables the interface protect circuit 1b: Disables the interface protect circuit	RW	0
6	INDICATORPASSTHRU	Controls whether the complement output is qualified with the internal vbusvalid comparator before being used in the VBUS State in the RXCMD. 0b: Complement output signal is qualified with the internal VBUSVALID comparator. 1b: Complement output signal is not qualified with the internal VBUSVALID comparator.	RW	0
5	INDICATORCOMPLEMENT	Tells the PHY to invert EXTERNALVBUSINDICATOR input signal, generating the complement output. 0b: PHY will not invert signal EXTERNALVBUSINDICATOR (default) 1b: PHY will invert signal EXTERNALVBUSINDICATOR	RW	0
4	AUTORESUME	Enables the PHY to automatically transmit resume signaling. Refer to USB specification 7.1.7.7 and 7.9 for more details. 0 = AutoResume disabled 1 = AutoResume enabled (default)	RW	1
3	CLOCKSUSPENDM	Active low clock suspend. Valid only in Serial Modes. Powers down the internal clock circuitry only. Valid only when SuspendM = 1b. The PHY must ignore ClockSuspend when SuspendM = 0b. By default, the clock will not be powered in Serial and Carkit Modes. 0b : Clock will not be powered in Serial and UART Modes. 1b : Clock will be powered in Serial and UART Modes.	RW	0
2	CARKITMODE	Changes the ULPI interface to UART interface. The PHY automatically clear this field when UART mode is exited. 0b: UART disabled. 1b: Enable serial UART mode.	RW	0
1	FSLSSERIALMODE_3PIN	Changes the ULPI interface to 3-pin Serial. The PHY must automatically clear this field when serial mode is exited. 0b: FS/LS packets are sent using parallel interface 1b: FS/LS packets are sent using 4-pin serial interface	RW	0
0	FSLSSERIALMODE_6PIN	Changes the ULPI interface to 6-pin Serial. The PHY must automatically clear this field when serial mode is exited. 0b: FS/LS packets are sent using parallel interface 1b: FS/LS packets are sent using 6-pin serial interface	RW	0

### 7.5.9 IFC\_CTRL\_SET

<b>ADDRESS OFFSET</b>	0x08		
<b>PHYSICAL ADDRESS</b>	0x08	<b>INSTANCE</b>	USB_SCUSB
<b>DESCRIPTION</b>	<p>This register does not physically exist. It is the same as the ifc_ctrl register with read/set-only property (write '1' to set a particular bit, a write '0' has no-action).</p>		
<b>TYPE</b>	RW		
<b>WRITE LATENCY</b>			

7	6	5	4	3	2	1	0
INTERFACE_PROTECT_DISABLE	INDICATORPASSTHRU	INDICATORCOMPLEMENT	AUTORESUME	CLOCKSUSPENDM	CARKITMODE	FSLSSERIALMODE_3PIN	FSLSSERIALMODE_6PIN

BITS	FIELD NAME	DESCRIPTION	TYPE	RESET
7	INTERFACE_PROTECT_DISABLE		RW	0
6	INDICATORPASSTHRU		RW	0
5	INDICATORCOMPLEMENT		RW	0
4	AUTORESUME		RW	1
3	CLOCKSUSPENDM		RW	0
2	CARKITMODE		RW	0
1	FSLSSERIALMODE_3PIN		RW	0
0	FSLSSERIALMODE_6PIN		R	0

### 7.5.10 IFC\_CTRL\_CLR

<b>ADDRESS OFFSET</b>	0x09		
<b>PHYSICAL ADDRESS</b>	0x09	<b>INSTANCE</b>	USB_SCUSB
<b>DESCRIPTION</b>	<p>This register does not physically exist. It is the same as the ifc_ctrl register with read/clear-only property (write '1' to clear a particular bit, a write '0' has no-action).</p>		
<b>TYPE</b>	RW		
<b>WRITE LATENCY</b>			

7	6	5	4	3	2	1	0
INTERFACE_P ROTECT_DISA BLE	IN DICATORPASS THRU	INDICATORCO MPLEMENT	AUTORESUME	CLOCKSUSPE NDM	CARKITMODE	FSLSSERIALM ODE_3PIN	FSLSSERIALM ODE_6PIN

<b>BITS</b>	<b>FIELD NAME</b>	<b>DESCRIPTION</b>	<b>TYPE</b>	<b>RESET</b>
7	INTERFACE_PROTECT_DISABLE		RW	0
6	INDICATORPASSTHRU		RW	0
5	INDICATORCOMPLEMENT		RW	0
4	AUTORESUME		RW	1
3	CLOCKSUSPENDM		RW	0
2	CARKITMODE		RW	0
1	FSLSSERIALMODE_3PIN		RW	0
0	FSLSSERIALMODE_6PIN		R	0

**TUSB1210**

SLLSE09J – NOVEMBER 2009 – REVISED JULY 2021

**7.5.11 OTG\_CTRL**

<b>ADDRESS OFFSET</b>	0x0A		
<b>PHYSICAL ADDRESS</b>	0x0A	<b>INSTANCE</b>	USB_SCUSB
<b>DESCRIPTION</b>	Controls UTMI+ OTG functions of the PHY.		
<b>TYPE</b>	RW		
<b>WRITE LATENCY</b>			

7	6	5	4	3	2	1	0
USEEXTERNALVBUSINDICATOR	DRVVBUSEXT ERNAL	DRVVBUS	CHRGVBUS	DISCHRGVBU S	DMPULLDOWN	DPPULLDOWN	IDPULLUP

BITS	FIELD NAME	DESCRIPTION	TYPE	RESET
7	USEEXTERNALVBUSINDICATOR	Tells the PHY to use an external VBUS over-current indicator. 0b: Use the internal OTG comparator (VA_VBUS_VLD) or internal VBUS valid indicator (default) 1b: Use external VBUS valid indicator signal.	RW	0
6	DRVVBUSEXT ERNAL	Selects between the internal and the external 5 V VBUS supply. 0b: Pin17 (CPEN) is disabled (output GND level). TUSB1210 does not support internal VBUS supply. 1b: Pin17 (CPEN) is set to '1' (output VDD33 voltage level) if DRVVBUS bit is '1', else Pin17 (CPEN) is disabled (output GND level) if DRVVBUS bit is '0'	RW	0
5	DRVVBUS	VBUS output control bit 0b : do not drive VBUS 1b : drive 5V on VBUS  Note: Both DRVVBUS and DRVVBUSEXT ERNAL bits must be set to 1 in order to to set Pin17 (CPEN). CPEN pin can be used to enable an external VBUS supply	RW	0
4	CHRGVBUS	Charge VBUS through a resistor. Used for VBUS pulsing SRP. The Link must first check that VBUS has been discharged (see DischrgVbus register bit), and that both D+ and D- data lines have been low (SE0) for 2ms. 0b : do not charge VBUS 1b : charge VBUS	RW	0
3	DISCHRGVBUS	Discharge VBUS through a resistor. If the Link sets this bit to 1, it waits for an RX CMD indicating SessEnd has transitioned from 0 to 1, and then resets this bit to 0 to stop the discharge. 0b : do not discharge VBUS 1b : discharge VBUS	RW	0
2	DMPULLDOWN	Enables the 15k Ohm pull-down resistor on D-. 0b : Pull-down resistor not connected to D-. 1b : Pull-down resistor connected to D-.	RW	1
1	DPPULLDOWN	Enables the 15k Ohm pull-down resistor on D+. 0b : Pull-down resistor not connected to D+. 1b : Pull-down resistor connected to D+.	RW	1
0	IDPULLUP	Connects a pull-up to the ID line and enables sampling of the signal level. 0b : Disable sampling of ID line. 1b : Enable sampling of ID line.	RW	0

**7.5.12 OTG\_CTRL\_SET**

<b>ADDRESS OFFSET</b>	0x0B		
<b>PHYSICAL ADDRESS</b>	0x0B	<b>INSTANCE</b>	USB_SCUSB
<b>DESCRIPTION</b>	<p>This register does not physically exist.</p> <p>It is the same as the otg_ctrl register with read/set-only property (write '1' to set a particular bit, a write '0' has no-action).</p>		
<b>TYPE</b>	RW		
<b>WRITE LATENCY</b>			

7	6	5	4	3	2	1	0
USEEXTERNALV BUSINDICATOR	DRVVBUSEXT ERNAL	DRVVBUS	CHRGVBUS	DISCHRGVBU S	DMPULLDOWN	DPPULLDOWN	IDPULLUP

BITS	FIELD NAME	DESCRIPTION	TYPE	RESET
7	USEEXTERNALV BUSINDICATOR		RW	0
6	DRVVBUSEXT ERNAL		RW	0
5	DRVVBUS		RW	0
4	CHRGVBUS		RW	0
3	DISCHRGVBU S		RW	0
2	DMPULLDOWN		RW	1
1	DPPULLDOWN		RW	1
0	IDPULLUP		RW	0

## 7.5.13 OTG\_CTRL\_CLR

<b>ADDRESS OFFSET</b>	0x0C		
<b>PHYSICAL ADDRESS</b>	0x0C	<b>INSTANCE</b>	USB_SCUSB
<b>DESCRIPTION</b>	<p>This register does not physically exist.</p> <p>It is the same as the otg_ctrl register with read/Clear-only property (write '1' to clear a particular bit, a write '0' has no-action).</p>		
<b>TYPE</b>	RW		
<b>WRITE LATENCY</b>			

7	6	5	4	3	2	1	0
USEEXTERNALV BUSINDICATOR	DRVVBUSEXT ERNAL	DRVVBUS	CHRGVBUS	DISCHRGVBU S	DMPULLDOWN	DPPULLDOWN	IDPULLUP

BITS	FIELD NAME	DESCRIPTION	TYPE	RESET
7	USEEXTERNALV BUSINDICATOR		RW	0
6	DRVVBUSEXT ERNAL		RW	0
5	DRVVBUS		RW	0
4	CHRGVBUS		RW	0
3	DISCHRGVBU S		RW	0
2	DMPULLDOWN		RW	1
1	DPPULLDOWN		RW	1
0	IDPULLUP		RW	0



### 7.5.14 USB\_INT\_EN\_RISE

<b>ADDRESS OFFSET</b>	0x0D		
<b>PHYSICAL ADDRESS</b>	0x0D	<b>INSTANCE</b>	USB_SCUSB
<b>DESCRIPTION</b>	If set, the bits in this register cause an interrupt event notification to be generated when the corresponding PHY signal changes from low to high. By default, all transitions are enabled.		
<b>TYPE</b>	RW		
<b>WRITE LATENCY</b>			

7	6	5	4	3	2	1	0
Reserved	Reserved	Reserved	IDGND_RISE	SESEND_RISE	SESSVALID_RISE	VBUSVALID_RISE	HOSTDISCONNECT_RISE

BITS	FIELD NAME	DESCRIPTION	TYPE	RESET
7	Reserved		R	0
6	Reserved		R	0
5	Reserved		R	0
4	IDGND_RISE	Generate an interrupt event notification when IdGnd changes from low to high.  Event is automatically masked if IdPullup bit is clear to 0 and for 50ms after IdPullup is set to 1.	RW	1
3	SESEND_RISE	Generate an interrupt event notification when SessEnd changes from low to high.	RW	1
2	SESSVALID_RISE	Generate an interrupt event notification when SessValid changes from low to high. SessValid is the same as UTMI+ AValid.	RW	1
1	VBUSVALID_RISE	Generate an interrupt event notification when VbusValid changes from low to high.	RW	1
0	HOSTDISCONNECT_RISE	Generate an interrupt event notification when Hostdisconnect changes from low to high. Applicable only in host mode (DpPulldown and DmPulldown both set to 1b).	RW	1

### 7.5.15 USB\_INT\_EN\_RISE\_SET

<b>ADDRESS OFFSET</b>	0x0E		
<b>PHYSICAL ADDRESS</b>	0x0E	<b>INSTANCE</b>	USB_SCUSB
<b>DESCRIPTION</b>	<p>This register does not physically exist.</p> <p>It is the same as the usb_int_en_rise register with read/set-only property (write '1' to set a particular bit, a write '0' has no-action).</p>		
<b>TYPE</b>	RW		
<b>WRITE LATENCY</b>			

7	6	5	4	3	2	1	0
Reserved	Reserved	Reserved	IDGND_RISE	SESEND_RISE	SESSVALID_RISE	VBUSVALID_RISE	HOSTDISCONNECT_RISE

BITS	FIELD NAME	DESCRIPTION	TYPE	RESET
7	Reserved		R	0
6	Reserved		R	0
5	Reserved		R	0
4	IDGND_RISE		RW	1
3	SESEND_RISE		RW	1
2	SESSVALID_RISE		RW	1
1	VBUSVALID_RISE		RW	1
0	HOSTDISCONNECT_RISE		RW	1

### 7.5.16 USB\_INT\_EN\_RISE\_CLR

<b>ADDRESS OFFSET</b>	0x0F		
<b>PHYSICAL ADDRESS</b>	0x0F	<b>INSTANCE</b>	USB_SCUSB
<b>DESCRIPTION</b>	<p>This register does not physically exist. It is the same as the usb_int_en_rise register with read/clear-only property (write '1' to clear a particular bit, a write '0' has no-action).</p>		
<b>TYPE</b>	RW		
<b>WRITE LATENCY</b>			

7	6	5	4	3	2	1	0
Reserved	Reserved	Reserved	IDGND_RISE	SESSEND_RISE	SESSVALID_RISE	VBUSVALID_RISE	HOSTDISCONNECT_RISE

BITS	FIELD NAME	DESCRIPTION	TYPE	RESET
7	Reserved		R	0
6	Reserved		R	0
5	Reserved		R	0
4	IDGND_RISE		RW	1
3	SESSEND_RISE		RW	1
2	SESSVALID_RISE		RW	1
1	VBUSVALID_RISE		RW	1
0	HOSTDISCONNECT_RISE		RW	1

## 7.5.17 USB\_INT\_EN\_FALL

<b>ADDRESS OFFSET</b>	0x10		
<b>PHYSICAL ADDRESS</b>	0x10	<b>INSTANCE</b>	USB_SCUSB
<b>DESCRIPTION</b>	If set, the bits in this register cause an interrupt event notification to be generated when the corresponding PHY signal changes from low to high. By default, all transitions are enabled.		
<b>TYPE</b>	RW		
<b>WRITE LATENCY</b>			

7	6	5	4	3	2	1	0
Reserved	Reserved	Reserved	IDGND_FALL	SESEND_FALL	SESSVALID_FALL	VBUSVALID_FALL	HOSTDISCONNECT_FALL

BITS	FIELD NAME	DESCRIPTION	TYPE	RESET
7	Reserved		R	0
6	Reserved		R	0
5	Reserved		R	0
4	IDGND_FALL	Generate an interrupt event notification when IdGnd changes from high to low. Event is automatically masked if IdPullup bit is clear to 0 and for 50ms after IdPullup is set to 1.	RW	1
3	SESEND_FALL	Generate an interrupt event notification when SessEnd changes from high to low.	RW	1
2	SESSVALID_FALL	Generate an interrupt event notification when SessValid changes from high to low. SessValid is the same as UTMI+ AValid.	RW	1
1	VBUSVALID_FALL	Generate an interrupt event notification when VbusValid changes from high to low.	RW	1
0	HOSTDISCONNECT_FALL	Generate an interrupt event notification when Hostdisconnect changes from high to low. Applicable only in host mode (DpPulldown and DmPulldown both set to 1b).	RW	1

### 7.5.18 USB\_INT\_EN\_FALL\_SET

<b>ADDRESS OFFSET</b>	0x11		
<b>PHYSICAL ADDRESS</b>	0x11	<b>INSTANCE</b>	USB_SCUSB
<b>DESCRIPTION</b>	<p>This register does not physically exist. It is the same as the usb_int_en_fall register with read/set-only property (write '1' to set a particular bit, a write '0' has no-action)</p>		
<b>TYPE</b>	RW		
<b>WRITE LATENCY</b>			

7	6	5	4	3	2	1	0
Reserved	Reserved	Reserved	IDGND_FALL	SESEND_FALL	SESSVALID_FALL	VBUSVALID_FALL	HOSTDISCONNECT_FALL

BITS	FIELD NAME	DESCRIPTION	TYPE	RESET
7	Reserved		R	0
6	Reserved		R	0
5	Reserved		R	0
4	IDGND_FALL		RW	1
3	SESEND_FALL		RW	1
2	SESSVALID_FALL		RW	1
1	VBUSVALID_FALL		RW	1
0	HOSTDISCONNECT_FALL		RW	1

## 7.5.19 USB\_INT\_EN\_FALL\_CLR

<b>ADDRESS OFFSET</b>	0x12		
<b>PHYSICAL ADDRESS</b>	0x12	<b>INSTANCE</b>	USB_SCUSB
<b>DESCRIPTION</b>	<p>This register does not physically exist.</p> <p>It is the same as the usb_int_en_fall register with read/clear-only property (write '1' to clear a particular bit, a write '0' has no-action).</p>		
<b>TYPE</b>	RW		
<b>WRITE LATENCY</b>			

7	6	5	4	3	2	1	0
Reserved	Reserved	Reserved	IDGND_FALL	SESSEND_FALL	SESSVALID_FALL	VBUSVALID_FALL	HOSTDISCONNECT_FALL

BITS	FIELD NAME	DESCRIPTION	TYPE	RESET
7	Reserved		R	0
6	Reserved		R	0
5	Reserved		R	0
4	IDGND_FALL		RW	1
3	SESSEND_FALL		RW	1
2	SESSVALID_FALL		RW	1
1	VBUSVALID_FALL		RW	1
0	HOSTDISCONNECT_FALL		RW	1

### 7.5.20 USB\_INT\_STS

<b>ADDRESS OFFSET</b>	0x13		
<b>PHYSICAL ADDRESS</b>	0x13	<b>INSTANCE</b>	USB_SCUSB
<b>DESCRIPTION</b>	Indicates the current value of the interrupt source signal.		
<b>TYPE</b>	R		
<b>WRITE LATENCY</b>			

7	6	5	4	3	2	1	0
Reserved	Reserved	Reserved	IDGND	SESEND	SESSVALID	VBUSVALID	HOSTDISCONNECT

BITS	FIELD NAME	DESCRIPTION	TYPE	RESET
7	Reserved		R	0
6	Reserved		R	0
5	Reserved		R	0
4	IDGND	Current value of UTMI+ IdGnd output. This bit is not updated if IdPullup bit is reset to 0 and for 50 ms after IdPullup is set to 1.	R	0
3	SESEND	Current value of UTMI+ SessEnd output.	R	0
2	SESSVALID	Current value of UTMI+ SessValid output. SessValid is the same as UTMI+ AValid.	R	0
1	VBUSVALID	Current value of UTMI+ VbusValid output.	R	0
0	HOSTDISCONNECT	Current value of UTMI+ Hostdisconnect output. Applicable only in host mode. Automatically reset to 0 when Low Power Mode is entered. NOTE: Reset value is '0' when host is connected. Reset value is '1' when host is disconnected.	R	0

## 7.5.21 USB\_INT\_LATCH

<b>ADDRESS OFFSET</b>	0x14		
<b>PHYSICAL ADDRESS</b>	0x14	<b>INSTANCE</b>	USB_SCUSB
<b>DESCRIPTION</b>	<p>These bits are set by the PHY when an unmasked change occurs on the corresponding internal signal. The PHY will automatically clear all bits when the Link reads this register, or when Low Power Mode is entered. The PHY also clears this register when Serial Mode or CarKit Mode is entered regardless of the value of ClockSuspendM. The PHY follows the rules defined in Table 26 of the ULPI spec for setting any latch register bit. It is important to note that if register read data is returned to the Link in the same cycle that a USB Interrupt Latch bit is to be set, the interrupt condition is given immediately in the register read data and the Latch bit is not set.</p> <p>Note that it is optional for the Link to read the USB Interrupt Latch register in Synchronous Mode because the RX CMD byte already indicates the interrupt source directly</p>		
<b>TYPE</b>	R		
<b>WRITE LATENCY</b>			

7	6	5	4	3	2	1	0
Reserved	Reserved	Reserved	IDGND_LATCH	SESSSEND_LATCH	SESSVALID_LATCH	VBUSVALID_LATCH	HOSTDISCONNECT_LATCH

BITS	FIELD NAME	DESCRIPTION	TYPE	RESET
7	Reserved		R	0
6	Reserved		R	0
5	Reserved		R	0
4	IDGND_LATCH	Set to 1 by the PHY when an unmasked event occurs on IdGnd. Cleared when this register is read.	R	0
3	SESSSEND_LATCH	Set to 1 by the PHY when an unmasked event occurs on SessEnd. Cleared when this register is read.	R	0
2	SESSVALID_LATCH	Set to 1 by the PHY when an unmasked event occurs on SessValid. Cleared when this register is read. SessValid is the same as UTMI+ AValid.	R	0
1	VBUSVALID_LATCH	Set to 1 by the PHY when an unmasked event occurs on VbusValid. Cleared when this register is read.	R	0
0	HOSTDISCONNECT_LATCH	Set to 1 by the PHY when an unmasked event occurs on Hostdisconnect. Cleared when this register is read. Applicable only in host mode.  NOTE: As this IT is enabled by default, the reset value depends on the host status  Reset value is '0' when host is connected.  Reset value is '1' when host is disconnected.	R	0



### 7.5.22 DEBUG

<b>ADDRESS OFFSET</b>	0x15		
<b>PHYSICAL ADDRESS</b>	0x15	<b>INSTANCE</b>	USB_SCUSB
<b>DESCRIPTION</b>	Indicates the current value of various signals useful for debugging.		
<b>TYPE</b>	R		
<b>WRITE LATENCY</b>			

<b>7</b>	<b>6</b>	<b>5</b>	<b>4</b>	<b>3</b>	<b>2</b>	<b>1</b>	<b>0</b>
Reserved						LINESTATE	

<b>BITS</b>	<b>FIELD NAME</b>	<b>DESCRIPTION</b>	<b>TYPE</b>	<b>RESET</b>
7	Reserved		R	0
6	Reserved		R	0
5	Reserved		R	0
4	Reserved		R	0
3	Reserved		R	0
2	Reserved		R	0
1:00	LINESTATE	<p>These signals reflect the current state of the single ended receivers. They directly reflect the current state of the DP (LineState[0]) and DM (LineState[1]) signals.</p> <ul style="list-style-type: none"> <li>• Read 0x0: SE0 (LS/FS), Squelch (HS/Chirp)</li> <li>• Read 0x1: <ul style="list-style-type: none"> <li>– LS: 'K' State,</li> <li>– FS: 'J' State,</li> <li>– HS: !Squelch,</li> <li>– Chirp: !Squelch &amp; HS_Differential_Receiver_Output</li> </ul> </li> <li>• Read 0x2: <ul style="list-style-type: none"> <li>– LS: 'K' State,</li> <li>– FS: 'J' State,</li> <li>– HS: !Squelch,</li> <li>– Chirp: !Squelch &amp; HS_Differential_Receiver_Output</li> </ul> </li> <li>• Read 0x3: SE1 (LS/FS), Invalid (HS/Chirp)</li> </ul>	R	0x0

### 7.5.23 SCRATCH\_REG

<b>ADDRESS OFFSET</b>	0x16		
<b>PHYSICAL ADDRESS</b>	0x16	<b>INSTANCE</b>	USB_SCUSB
<b>DESCRIPTION</b>	Empty register byte for testing purposes. Software can read, write, set, and clear this register and the PHY functionality will not be affected.		
<b>TYPE</b>	RW		
<b>WRITE LATENCY</b>			

<b>7</b>	<b>6</b>	<b>5</b>	<b>4</b>	<b>3</b>	<b>2</b>	<b>1</b>	<b>0</b>
SCRATCH							

<b>BITS</b>	<b>FIELD NAME</b>	<b>DESCRIPTION</b>	<b>TYPE</b>	<b>RESET</b>
7:00	SCRATCH	Scratch data.	RW	0x00

### 7.5.24 SCRATCH\_REG\_SET

<b>ADDRESS OFFSET</b>	0x17		
<b>PHYSICAL ADDRESS</b>	0x17	<b>INSTANCE</b>	USB_SCUSB
<b>DESCRIPTION</b>	This register does not physically exist. It is the same as the scratch_reg register with read/set-only property (write '1' to set a particular bit, a write '0' has no-action).		
<b>TYPE</b>	RW		
<b>WRITE LATENCY</b>			

<b>7</b>	<b>6</b>	<b>5</b>	<b>4</b>	<b>3</b>	<b>2</b>	<b>1</b>	<b>0</b>
SCRATCH							

<b>BITS</b>	<b>FIELD NAME</b>	<b>DESCRIPTION</b>	<b>TYPE</b>	<b>RESET</b>
7:00	SCRATCH		RW	0x00

### 7.5.25 SCRATCH\_REG\_CLR

<b>ADDRESS OFFSET</b>	0x18		
<b>PHYSICAL ADDRESS</b>	0x18	<b>INSTANCE</b>	USB_SCUSB
<b>DESCRIPTION</b>	This register does not physically exist. It is the same as the scratch_reg with read/clear-only property (write '1' to clear a particular bit, a write '0' has no-action).		
<b>TYPE</b>	RW		
<b>WRITE LATENCY</b>			

<b>7</b>	<b>6</b>	<b>5</b>	<b>4</b>	<b>3</b>	<b>2</b>	<b>1</b>	<b>0</b>
SCRATCH							

BITS	FIELD NAME	DESCRIPTION	TYPE	RESET
7:00	SCRATCH		RW	0x00

## 7.5.26 VENDOR\_SPECIFIC1

ADDRESS OFFSET	0x3D		
PHYSICAL ADDRESS	0x3D	INSTANCE	USB_SCUSB
DESCRIPTION	Power Control register.		
TYPE	RW		
WRITE LATENCY			

7	6	5	4	3	2	1	0
SPARE	MNTR_VUSBIN_OK_EN	ID_FLOAT_EN	ID_RES_EN	BVALID_FALL	BVALID_RISE	SPARE	ABNORMALSTRESS_EN

BITS	FIELD NAME	DESCRIPTION	TYPE	RESET
7	SPARE	Reserved. The link must never write a 1b to this bit.	RW	0
6	MNTR_VUSBIN_OK_EN	When set to 1, it enables RX CMDs for high to low or low to high transitions on MNTR_VUSBIN_OK. This bit is provided for debugging purposes.	RW	0
5	ID_FLOAT_EN	When set to 1, it enables RX CMDs for high to low or low to high transitions on ID_FLOAT. This bit is provided for debugging purposes.	RW	0
4	ID_RES_EN	When set to 1, it enables RX CMDs for high to low or low to high transitions on ID_RESA, ID_RESB and ID_RESC. This bit is provided for debugging purposes.	RW	0
3	BVALID_FALL	Enables RX CMDs for high to low transitions on BVALID. When BVALID changes from high to low, the USB TRANS will send an RX CMD to the link with the alt_int bit set to 1b.  This bit is optional and is not necessary for OTG devices. This bit is provided for debugging purposes. Disabled by default.	RW	0
2	BVALID_RISE	Enables RX CMDs for low to high transitions on BVALID. When BVALID changes from low to high, the USB Trans will send an RX CMD to the link with the alt_int bit set to 1b.  This bit is optional and is not necessary for OTG devices. This bit is provided for debugging purposes. Disabled by default.	RW	0
1	SPARE	Reserved. The link must never write a 1b to this bit.	RW	0
0	ABNORMALSTRESS_EN	When set to 1, it enables RX CMDs for low to high and high to low transitions on ABNORMALSTRESS. This bit is provided for debugging purposes.	RW	0

### 7.5.27 VENDOR\_SPECIFIC1\_SET

<b>ADDRESS OFFSET</b>	0x3E		
<b>PHYSICAL ADDRESS</b>	0x3E	<b>INSTANCE</b>	USB_SCUSB
<b>DESCRIPTION</b>	<p>This register does not physically exist. It is the same as the func_ctrl register with read/set-only property (write '1' to set a particular bit, a write '0' has no-action).</p>		
<b>TYPE</b>	RW		
<b>WRITE LATEN CY</b>			

7	6	5	4	3	2	1	0
SPARE	MNTR_VUSBIN_OK_EN	ID_FLOAT_EN	ID_RES_EN	BVALID_FALL	BVALID_RISE	SPARE	ABNORMALSTRESS_EN

BITS	FIELD NAME	DESCRIPTION	TYPE	RESET
7	SPARE		RW	0
6	MNTR_VUSBIN_OK_EN		RW	0
5	ID_FLOAT_EN		RW	0
4	ID_RES_EN		RW	0
3	BVALID_FALL		RW	0
2	BVALID_RISE		RW	0
1	SPARE		RW	0
0	ABNORMALSTRESS_EN		RW	0

## 7.5.28 VENDOR\_SPECIFIC1\_CLR

<b>ADDRESS OFFSET</b>	0x3F		
<b>PHYSICAL ADDRESS</b>	0x3F	<b>INSTANCE</b>	USB_SCUSB
<b>DESCRIPTION</b>	<p>This register does not physically exist.</p> <p>It is the same as the func_ctrl register with read/clear-only property (write '1' to clear a particular bit, a write '0' has no-action).</p>		
<b>TYPE</b>	RW		
<b>WRITE LATENCY</b>			

7	6	5	4	3	2	1	0
SPARE	MNTR_VUSBIN_OK_EN	ID_FLOAT_EN	ID_RES_EN	BVALID_FALL	BVALID_RISE	SPARE	ABNORMALSTRESS_EN

BITS	FIELD NAME	DESCRIPTION	TYPE	RESET
7	SPARE		RW	0
6	MNTR_VUSBIN_OK_EN		RW	0
5	ID_FLOAT_EN		RW	0
4	ID_RES_EN		RW	0
3	BVALID_FALL		RW	0
2	BVALID_RISE		RW	0
1	SPARE		RW	0
0	ABNORMALSTRESS_EN		RW	0

### 7.5.29 VENDOR\_SPECIFIC2

<b>ADDRESS OFFSET</b>	0x80		
<b>PHYSICAL ADDRESS</b>	0x80	<b>INSTANCE</b>	USB_SCUSB
<b>DESCRIPTION</b>	Eye diagram programmability and DP/DM swap control .		
<b>TYPE</b>	RW		
<b>WRITE LATENCY</b>			

7	6	5	4	3	2	1	0
SPARE	DATAPOLARITY	ZHSDRV	IHSTX				

BITS	FIELD NAME	DESCRIPTION	TYPE	RESET
7	SPARE		RW	0
6	DATAPOLARITY	Control data polarity on dp/dm	RW	1
5:04	ZHSDRV	High speed output impedance configuration for eye diagram tuning : 00 45.455 Ω 01 43.779 Ω 10 42.793 Ω 11 42.411 Ω	RW	0x0
3:00	IHSTX	High speed output drive strength configuration for eye diagram tuning : 0000 17.928 mA 0001 18.117 mA 0010 18.306 mA 0011 18.495 mA 0100 18.683 mA 0101 18.872 mA 0110 19.061 mA 0111 19.249 mA 1000 19.438 mA 1001 19.627 mA 1010 19.816 mA 1011 20.004 mA 1100 20.193 mA 1101 20.382 mA 1110 20.570 mA 1111 20.759 mA  IHSTX[0] is also the AC BOOST enable IHSTX[0] = 0 à AC BOOST is disabled IHSTX[0] = 1 à AC BOOST is enabled	RW	0x1

### 7.5.30 VENDOR\_SPECIFIC2\_SET

<b>ADDRESS OFFSET</b>	0x81		
<b>PHYSICAL ADDRESS</b>	0x81	<b>INSTANCE</b>	USB_SCUSB
<b>DESCRIPTION</b>	<p>This register does not physically exist.</p> <p>It is the same as the VENDOR_SPECIFIC1 register with read/set-only property (write '1' to set a particular bit, a write '0' has no-action).</p>		
<b>TYPE</b>	RW		
<b>WRITE LATENCY</b>			

7	6	5	4	3	2	1	0
SPARE	DATAPOLARITY	ZHSDRV	IHSTX				

BITS	FIELD NAME	DESCRIPTION	TYPE	RESET
7	SPARE		RW	0
6	DATAPOLARITY		RW	1
5:04	ZHSDRV		RW	0x0
3:00	IHSTX		RW	0x1

### 7.5.31 VENDOR\_SPECIFIC2\_CLR

<b>ADDRESS OFFSET</b>	0x82		
<b>PHYSICAL ADDRESS</b>	0x82	<b>INSTANCE</b>	USB_SCUSB
<b>DESCRIPTION</b>	<p>This register does not physically exist.</p> <p>It is the same as the VENDOR_SPECIFIC1 register with read/clear-only property (write '1' to clear a particular bit, a write '0' has no-action).</p>		
<b>TYPE</b>	RW		
<b>WRITE LATENCY</b>			

7	6	5	4	3	2	1	0
SPARE	DATAPOLARITY	ZHSDRV	IHSTX				

BITS	FIELD NAME	DESCRIPTION	TYPE	RESET
7	SPARE		RW	0
6	DATAPOLARITY		RW	1
5:04	ZHSDRV		RW	0x0
3:00	IHSTX		RW	0x1



**7.5.32 VENDOR\_SPECIFIC1\_STS**

<b>ADDRESS OFFSET</b>	0x83		
<b>PHYSICAL ADDRESS</b>	0x83	<b>INSTANCE</b>	USB_SCUSB
<b>DESCRIPTION</b>	Indicates the current value of the interrupt source signal.		
<b>TYPE</b>	R		
<b>WRITE LATEN CY</b>			

7	6	5	4	3	2	1	0
Reserved	MNTR_VUSBIN_OK_STS	ABNORMALSTRESS_STS	ID_FLOAT_STS	ID_RESC_STS	ID_RESB_STS	ID_RESA_STS	BVALID_STS

BITS	FIELD NAME	DESCRIPTION	TYPE	RESET
7	Reserved		R	0
6	MNTR_VUSBIN_OK_STS	Current value of MNTR_VUSBIN_OK output	R	0
5	ABNORMALSTRESS_STS	Current value of ABNORMALSTRESS output	R	0
4	ID_FLOAT_STS	Current value of ID_FLOAT output	R	0
3	ID_RESC_STS	Current value of ID_RESC output	R	0
2	ID_RESB_STS	Current value of ID_RESB output	R	0
1	ID_RESA_STS	Current value of ID_RESA output	R	0
0	BVALID_STS	Current value of VB_SESS_VLD output	R	0

### 7.5.33 VENDOR\_SPECIFIC1\_LATCH

<b>ADDRESS OFFSET</b>	0x84		
<b>PHYSICAL ADDRESS</b>	0x84	<b>INSTANCE</b>	USB_SCUSB
<b>DESCRIPTION</b>	<p>These bits are set by the PHY when an unmasked change occurs on the corresponding internal signal. The PHY will automatically clear all bits when the Link reads this register, or when Low Power Mode is entered. The PHY also clears this register when Serial mode is entered regardless of the value of ClockSuspendM.</p> <p>The PHY follows the rules defined in Table 26 of the ULPI spec for setting any latch register bit.</p>		
<b>TYPE</b>	R		
<b>WRITE LATENCY</b>			

7	6	5	4	3	2	1	0
Reserved	MNTR_VUSBIN_OK_LATCH	ABNORMALSTRESS_LATCH	ID_FLOAT_LATCH	ID_RESC_LATCH	ID_RESB_LATCH	ID_RESA_LATCH	BVALID_LATCH

BITS	FIELD NAME	DESCRIPTION	TYPE	RESET
7	Reserved		R	0
6	MNTR_VUSBIN_OK_LATCH	Set to 1 when an unmasked event occurs on MNTR_VUSBIN_OK_LATCH. Clear on read register.	R	0
5	ABNORMALSTRESS_LATCH	Set to 1 when an unmasked event occurs on ABNORMALSTRESS. Clear on read register.	R	0
4	ID_FLOAT_LATCH	Set to 1 when an unmasked event occurs on ID_FLOAT. Clear on read register.	R	0
3	ID_RESC_LATCH	Set to 1 when an unmasked event occurs on ID_RESC. Clear on read register.	R	0
2	ID_RESB_LATCH	Set to 1 when an unmasked event occurs on ID_RESB. Clear on read register.	R	0
1	ID_RESA_LATCH	Set to 1 when an unmasked event occurs on ID_RESA. Clear on read register.	R	0
0	BVALID_LATCH	Set to 1 when an unmasked event occurs on VB_SESS_VLD. Clear on read register.	R	0

### 7.5.34 VENDOR\_SPECIFIC3

ADDRESS OFFSET	0x85		
PHYSICAL ADDRESS	0x85	INSTANCE	USB_SCUSB
DESCRIPTION			
TYPE	RW		
WRITE LATENCY			

<b>7</b>	<b>6</b>	<b>5</b>	<b>4</b>	<b>3</b>	<b>2</b>	<b>1</b>	<b>0</b>
RESERVED	SOF_EN	CPEN_OD	CPEN_ODOS	IDGND_DRV	VUSB3V3_VSEL		

BITS	FIELD NAME	DESCRIPTION	TYPE	RESET
7	Reserved		RW	0
6	SOF_EN	0: HS USB SOF detector disabled. 1: Enable HS USB SOF detection when PHY is set in device mode. SOF are output on CPEN pin. HS USB SOF (start-of-frame) output clock is available on CPEN pin when this bit is set. HS USB SOF packet rate is 8 kHz.  This bit is provided for debugging purpose only. It must never been write to '1' in functional mode	RW	0
5	CPEN_OD	This bit has no effect when CPEN_ODOS = '0', else : 0: CPEN pad is in OS (Open Source) mode. In this case CPEN pin has an internal NMOS driver, and will be active LOW. Externally there should be a pullup resistor on CPEN (min 1kΩ) to a supply voltage (max 3.6V). 1: CPEN pad is in OD (Open Drain) mode In this case CPEN pin has an internal PMOS driver, and will be active HIGH. Externally there should be a pull-down resistor on CPEN (min 1 kΩ to GND.	RW	0
4	CPEN_ODOS	Mode selection bit for CPEN pin. 0 : CPEN pad is in CMOS mode 1: CPEN pad is in OD (Open Drain) or OS (Open Source) mode (controlled by CPEN_OD bit)	RW	0
3	IDGND_DRV	Drives ID pin to ground	RW	0x0
2:00	VUSB3V3_VSEL	000 VRUSB3P1V = 2.5 V 001 VRUSB3P1V = 2.75 V 010 VRUSB3P1V = 3.0 V 011 VRUSB3P1V = 3.10 V (default) 100 VRUSB3P1V = 3.20 V 101 VRUSB3P1V = 3.30 V 110 VRUSB3P1V = 3.40 V 111 VRUSB3P1V = 3.50 V	RW	0x3

## 7.5.35 VENDOR\_SPECIFIC3\_SET

ADDRESS OFFSET	0x86		
PHYSICAL ADDRESS	0x86	INSTANCE	USB_SCUSB
DESCRIPTION			
TYPE	RW		
WRITE LATENCY			

7	6	5	4	3	2	1	0
RESERVED	SOF_EN	CPEN_OD	CPEN_ODOS	IDGND_DRV	VUSB3V3_VSEL		

BITS	FIELD NAME	DESCRIPTION	TYPE	RESET
7	Reserved		RW	0
6	SOF_EN		RW	0
5	CPEN_OD		RW	0
4	CPEN_ODOS		RW	0
3	IDGND_DRV		RW	0x0
2:00	VUSB3V3_VSEL		RW	0x3

## 7.5.36 VENDOR\_SPECIFIC3\_CLR

ADDRESS OFFSET	0x87		
PHYSICAL ADDRESS	0x87	INSTANCE	USB_SCUSB
DESCRIPTION			
TYPE	RW		
WRITE LATENCY			

7	6	5	4	3	2	1	0
RESERVED	SOF_EN	CPEN_OD	CPEN_ODOS	IDGND_DRV	VUSB3V3_VSEL		

BITS	FIELD NAME	DESCRIPTION	TYPE	RESET
7	Reserved		RW	0
6	SOF_EN		RW	0
5	CPEN_OD		RW	0
4	CPEN_ODOS		RW	0
3	IDGND_DRV		RW	0x0
2:00	VUSB3V3_VSEL		RW	0x3

## 8 Application and Implementation

### Note

Information in the following applications sections is not part of the TI component specification, and TI does not warrant its accuracy or completeness. TI's customers are responsible for determining suitability of components for their purposes, as well as validating and testing their design implementation to confirm system functionality.

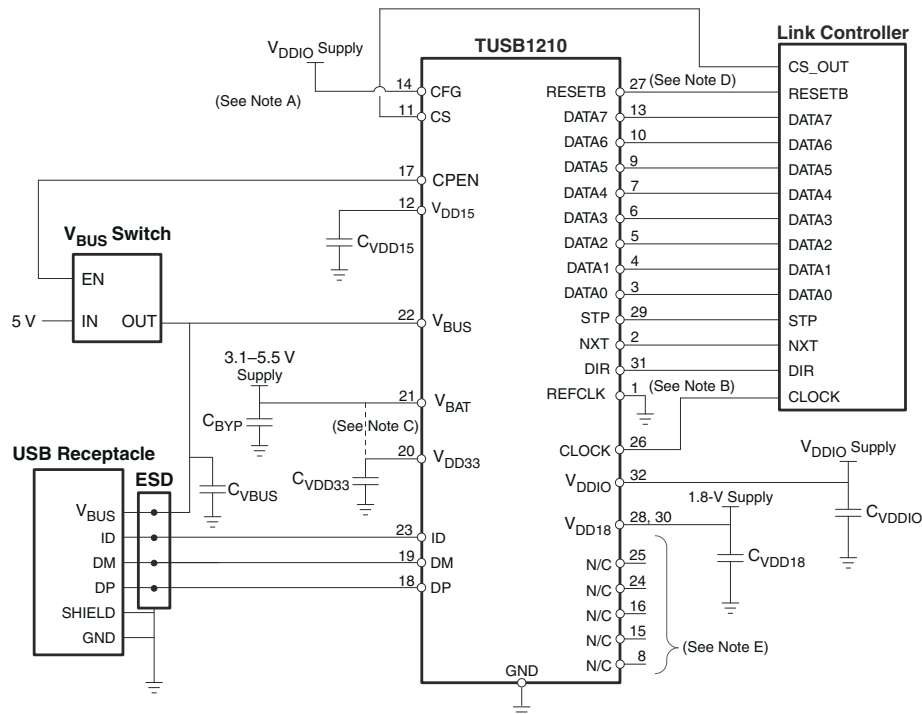
### 8.1 Application Information

Figure 8-1 shows the suggested application diagram (Host or OTG, ULPI input-clock mode).

### 8.2 Typical Application

#### 8.2.1 Host or OTG, ULPI Input Clock Mode Application

Figure 8-1 shows a suggested application diagram for TUSB1210 in the case of ULPI input-clock mode (60 MHz ULPI clock is provided by link processor), in Host or OTG application. Note: this is just one example, it is of course possible to operate as HOST or OTG while also in ULPI output-clock mode.



- A. Pin 11 (CS): can be tied high to  $V_{IO}$  if the CS\_OUT pin is unavailable; Pin 14 (CFG): tie-high is *do not care* since the ULPI clock is used in input mode
- B. Pin 1 (REFCLK): must be tied low
- C. Ext 3 V supply supported
- D. Pin 27 (RESETB) can be tied to  $V_{DDIO}$  if unused.
- E. Pins labeled N/C (no-connect) are truly no-connect, and can be tied or left floating.

Figure 8-1. Host or OTG, ULPI Input Clock Mode Application Diagram

### 8.2.1.1 Design Requirements

**Table 8-1. Design Parameters**

DESIGN PARAMETER	EXAMPLE VALUE
$V_{BAT}$	3.3 V
$V_{DDIO}$	1.8 V
$V_{BUS}$	5.0 V
USB Support	HS, FS, LS
USB On the Go (OTG)	Yes
Clock Sources	60 MHz Clock

### 8.2.1.2 Detailed Design Procedure

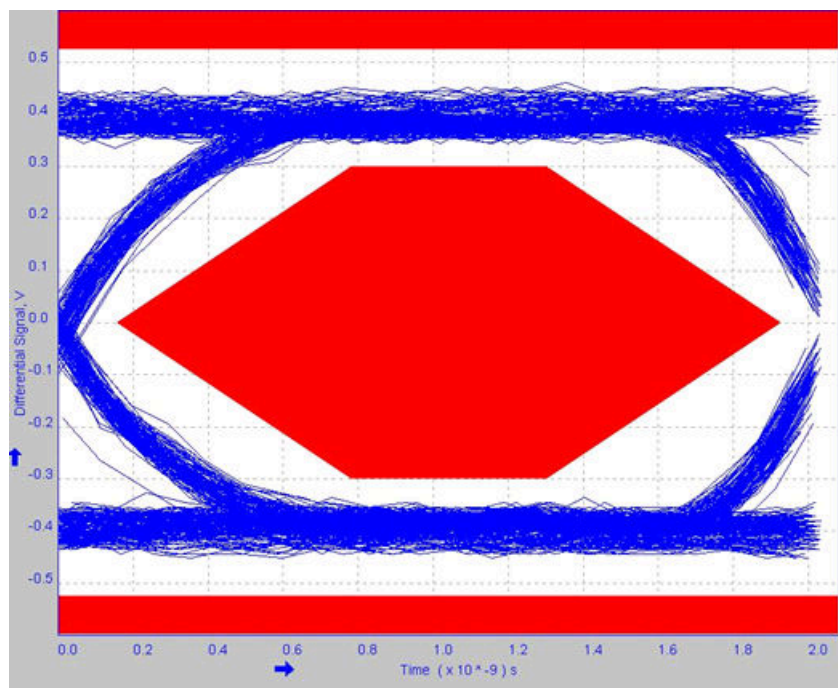
Connect the TUSB1210 device as is shown in [Figure 8-1](#).

Follow the Board Guidelines in the [TUSB121x USB2.0 Board Guidelines](#) application report.

#### 8.2.1.2.1 Unused Pins Connection

- **VBUS:** Input. Recommended to tie to GND if unused. However, leaving  $V_{BUS}$  floating is also acceptable since internally there is an 80 k $\Omega$  resistance to ground.
- **REFCLK:** Input. If REFCLK is unused and 60 MHz clock is provided by MODEM (60 MHz should be connected to CLOCK pin in this case), then tie REFCLK to GND.
- **CFG:** Tie to GND if REFCLK is 19.2 MHz, or tie to  $V_{DDIO}$  if REFCLK is 26 MHz. Tie to either GND or  $V_{DDIO}$  (does not matter which) if REFCLK is not used (for example, ULPI input clock configuration).

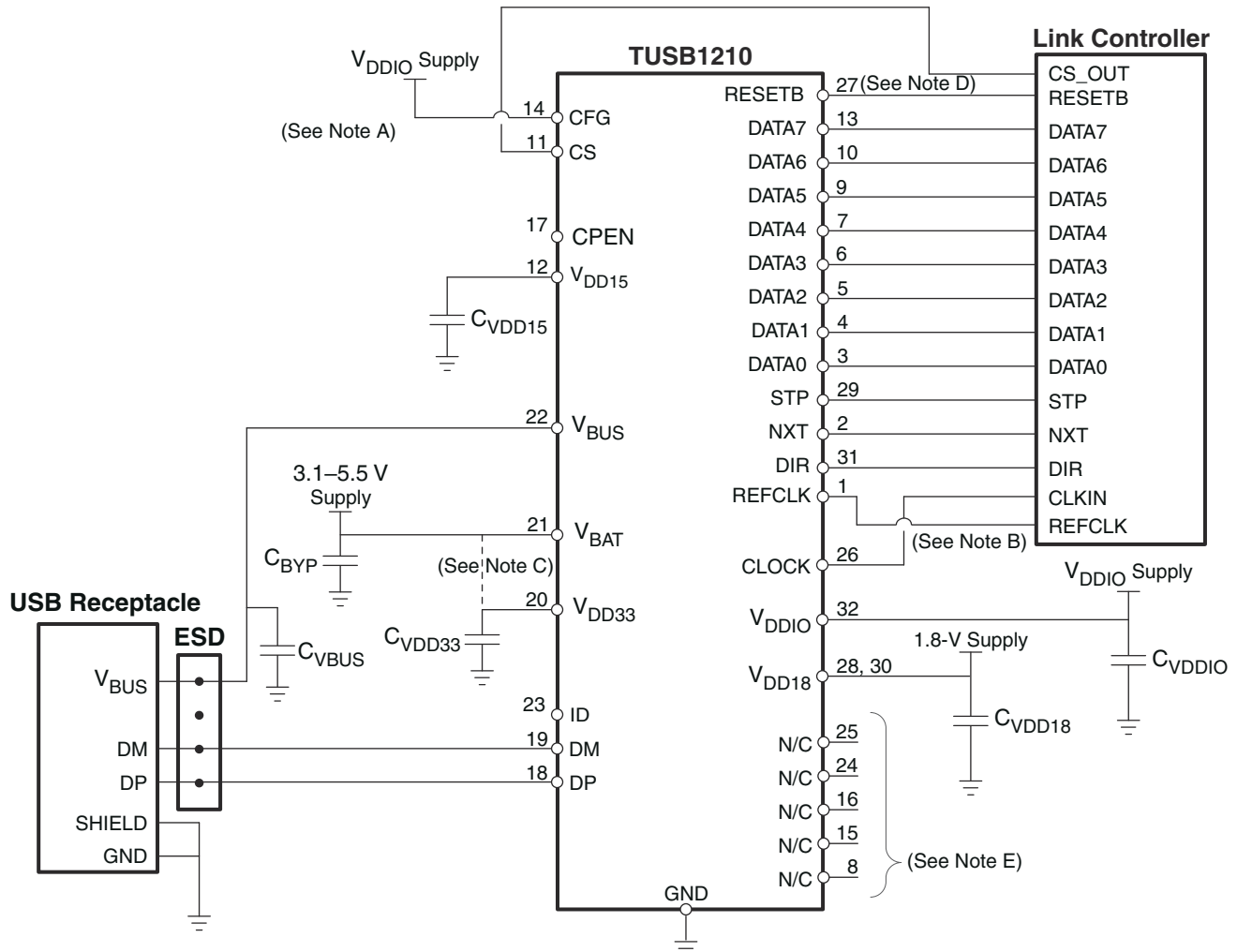
### 8.2.1.3 Application Curve



**Figure 8-2. High-Speed Eye Diagram**

## 8.2.2 Device, ULPI Output Clock Mode Application

Figure 8-3 shows a suggested application diagram for TUSB1210 in the case of ULPI output clock mode (60 MHz ULPI clock is provided by TUSB1210, while link processor or another external circuit provides REFCLK), in Device mode application. Note: this is just one example, it is of course possible to operate as Device while also in ULPI input-clock mode. Refer also to Figure 8-1.



- A. Pin 11 (CS): can be tied high to  $V_{IO}$  if CS\_OUT pin unavailable; Pin 14 (CFG): Tied to  $V_{DDIO}$  for 26 MHz REFCLK mode here, tie to GND for 19.2 MHz mode.
- B. Pin 1 (REFCLK): connect to external 3.3 V square-wave reference clock
- C. Ext 3 V supply supported
- D. Pin 27 (RESETB) can be tied to  $V_{DDIO}$  if unused.
- E. Pins labeled N/C (no-connect) are truly no-connect, and can be tied or left floating.

**Figure 8-3. Device, ULPI Output Clock Mode Application Diagram**

### 8.2.2.1 Design Requirements

Table 8-2. Design Parameters

DESIGN PARAMETER	EXAMPLE VALUE
$V_{BAT}$	3.3 V
$V_{DDIO}$	1.8 V
$V_{BUS}$	5.0 V
USB Support	HS, FS, LS
Clock Sources	26 MHz or 19.2 MHz Oscillator

### 8.2.2.2 Detailed Design Procedure

Connect the TUSB1210 device as is shown in [Figure 8-3](#).

Follow the Board Guidelines in the [TUSB121x USB2.0 Board Guidelines](#) application report.

#### 8.2.2.2.1 Unused Pins Connection

- **ID:** Input. Leave floating if unused or TUSB1210 is Device mode only. Tie to GND through  $R_{ID} < 1\text{ k}\Omega$  if Host mode.
- **REFCLK:** Input. If REFCLK is unused, and 60 MHz clock is provided by MODEM (60 MHz should be connected to CLOCK pin in this case) then tie REFCLK to GND.
- **CFG:** Tie to GND if REFCLK is 19.2 MHz, or tie to  $V_{DDIO}$  if REFCLK is 26 MHz. Tie to either GND or  $V_{DDIO}$  (does not matter which) if REFCLK not used (for example, ULPI input clock configuration).

### 8.2.2.3 Application Curve

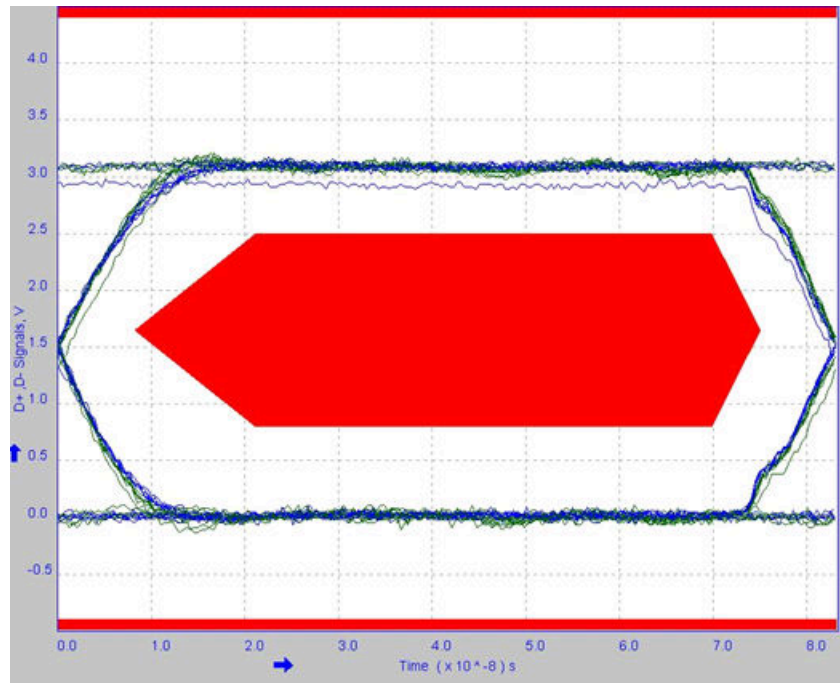


Figure 8-4. Full-Speed Eye Diagram



## 8.3 External Components

**Table 8-3. TUSB1210 External Components**

FUNCTION	COMPONENT	REFERENCE	VALUE	NOTE	LINK
V <sub>DDIO</sub>	Capacitor	CVDDIO	100 nF	Suggested value, application dependent	<a href="#">Figure 8-1</a>
V <sub>DD33</sub>	Capacitor	CVDD33	2.2 $\mu$ F	Range: [0.45 $\mu$ F: 6.5 $\mu$ F] , ESR = [0: 600 m $\Omega$ ] for f > 10 kHz	<a href="#">Figure 8-1</a>
V <sub>DD15</sub>	Capacitor	CVDD15	2.2 $\mu$ F	Range: [0.45 $\mu$ F: 6.5 $\mu$ F] , ESR = [0: 600 m $\Omega$ ] for f > 10 kHz	<a href="#">Figure 8-1</a>
V <sub>DD18</sub>	Capacitor	Ext 1.8V supply	100 nF	Suggested value, application dependent	<a href="#">Figure 8-1</a>
		CVDD18			
V <sub>BAT</sub>	Capacitor	CBYP	100 nF <sup>(1)</sup>	Range: [0.45 $\mu$ F: 6.5 $\mu$ F] , ESR = [0: 600 m $\Omega$ ] for f > 10 kHz	<a href="#">Figure 8-1</a>
V <sub>BUS</sub>	Capacitor	CVBUS	See <a href="#">Table 8-4</a>	Place close to USB connector	<a href="#">Figure 8-1</a>

(1) Recommended value but 2.2  $\mu$ F may be sufficient in some applications

**Table 8-4. TUSB1210 V<sub>BUS</sub> Capacitors**

FUNCTION	COMPONENT	REFERENCE	VALUE	NOTE	LINK
VBUS – HOST	Capacitor	CVBUS	>120 $\mu$ F		<a href="#">Figure 8-1</a>
VBUS – DEVICE	Capacitor	CVBUS	4.7 $\mu$ F	Range: 1.0 $\mu$ F to 10.0 $\mu$ F	<a href="#">Figure 8-1</a>
VBUS – OTG	Capacitor	CVBUS	4.7 $\mu$ F	Range: 1.0 $\mu$ F to 6.5 $\mu$ F	<a href="#">Figure 8-1</a>

## 9 Power Supply Recommendations

$V_{BUS}$ ,  $V_{BAT}$ , and  $V_{DDIO}$  are needed to power the TUSB1210. Recommended operation is for  $V_{BAT}$  to be present before  $V_{DDIO}$ . Applying  $V_{DDIO}$  before  $V_{BAT}$  to TUSB1210 is not recommended as there is a diode from  $V_{DDIO}$  to  $V_{BAT}$  which will be forward biased when  $V_{DDIO}$  is present but  $V_{BAT}$  is not present. TUSB1210 does not strictly require  $V_{BUS}$  to function.

### 9.1 TUSB1210 Power Supply

- The  $V_{DDIO}$  pins of the TUSB1210 supply 1.8 V (nominal) power to the core of the TUSB1210. This power rail can be isolated from all other power rails by a ferrite bead to reduce noise.
- The  $V_{BAT}$  pin of the TUSB1210 supply 3.3 V (nominal) power rail to the TUSB1210. This power rail can be isolated from all other power rails by a ferrite bead to reduce noise.
- The  $V_{BUS}$  pin of the TUSB1210 supply 5.0 V (nominal) power rail to the TUSB1210. This pin is normally connected to the  $V_{BUS}$  pin of the USB connector.
- The  $V_{BUS}$  pin of the TUSB1210 supply 5.0 V (nominal) power rail to the TUSB1210. This pin is normally connected to the  $V_{BUS}$  pin of the USB connector.

### 9.2 Ground

It is recommended that almost one board ground plane be used in the design. This provides the best image plane for signal traces running above the plane. An earth or chassis ground is implemented only near the USB port connectors on a different plane for EMI and ESD purposes.

### 9.3 Power Providers

Table 9-1 is a summary of TUSB1210 power providers.

**Table 9-1. Power Providers<sup>(1)</sup>**

NAME	USAGE	TYPE	TYPICAL VOLTAGE (V)	MAXIMUM CURRENT (mA)
$V_{DD15}$	Internal	LDO	1.5	50
$V_{DD18}$	External	LDO	1.8	30
$V_{DD33}$	Internal	LDO	3.1	15

- (1)  $V_{DD33}$  may be supplied externally or by shorting the  $V_{DD33}$  pin to  $V_{BAT}$  pin, provided  $V_{BAT}$  minimum is in range [3.2 V: 3.6 V]. Note that the  $V_{DD33}$  LDO will always power-on when the chip is enabled, irrespective of whether  $V_{DD33}$  is supplied externally or not. In the case the  $V_{DD33}$  pin is not supplied externally in the application, the electrical specifications for this LDO are provided below.

### 9.4 Power Modules

#### 9.4.1 $V_{DD33}$ Regulator

The  $V_{DD33}$  internal LDO regulator powers the USB PHY, charger detection, and OTG functions of the USB subchip inside TUSB1210. Section 6.12 describes the regulator characteristics.

$V_{DD33}$  regulator takes its power from  $V_{BAT}$ .

Since the USB2.0 standard requires data lines to be biased with pullups biased from a supply greater than 3 V, and since  $V_{DD33}$  regulator has an inherent voltage drop from its input,  $V_{BAT}$ , to its regulated output, TUSB1210 will not meet USB 2.0 Standard if operated from a battery whose voltage is lower than 3.3 V.

#### 9.4.2 $V_{DD18}$ Supply

The  $V_{DD18}$  supply is powered externally at the  $V_{DD18}$  pin. See Table 8-3 for external components.

#### 9.4.3 $V_{DD15}$ Regulator

The  $V_{DD15}$  internal LDO regulator powers the USB subchip inside TUSB1210. Section 6.12 describes the regulator characteristics.

## 9.5 Power Consumption

Table 9-2 describes the power consumption depending on the use cases.

### Note

The typical power consumption is obtained in the nominal operating conditions and with the TUSB1210 standalone.

**Table 9-2. Power Consumption**

MODE	CONDITIONS	SUPPLY	TYPICAL CONSUMPTION	UNIT
OFF Mode	$V_{BAT} = 3.6\text{ V}$ , $V_{DDIO} = 1.8\text{ V}$ , $V_{DD18} = 1.8\text{ V}$ , $CS = 0\text{ V}$	$I_{VBAT}$	8	$\mu\text{A}$
		$I_{VDDIO}$	3	
		$I_{VDD18}$	5	
		$I_{TOTAL}$	16	
Suspend Mode	$V_{BUS} = 5\text{ V}$ , $V_{BAT} = 3.6\text{ V}$ , $V_{DDIO} = 1.8\text{ V}$ , No clock	$I_{VBAT}$	204	$\mu\text{A}$
		$I_{VDDIO}$	3	
		$I_{VDD18}$	3	
		$I_{TOTAL}$	210	
HS USB Operation (Synchronous Mode)	$V_{BAT} = 3.6\text{ V}$ , $V_{DDIO} = 1.8\text{ V}$ , $V_{DD18} = 1.8\text{ V}$ , active USB transfer	$I_{VBAT}$	24.6	mA
		$I_{VDDIO}$	1.89	
		$I_{VDD18}$	21.5	
		$I_{TOTAL}$	48	
FS USB Operation (Synchronous Mode)	$V_{BAT} = 3.6\text{ V}$ , $V_{DDIO} = 1.8\text{ V}$ , active USB transfer	$I_{VBAT}$	25.8	mA
		$I_{VDDIO}$	1.81	
		$I_{VDD18}$	4.06	
		$I_{TOTAL}$	31.7	
Reset Mode	$RESETB = 0\text{ V}$ , $V_{BUS} = 5\text{ V}$ , $V_{BAT} = 3.6\text{ V}$ , $V_{DDIO} = 1.8\text{ V}$ , No clock	$I_{VBAT}$	237	$\mu\text{A}$
		$I_{VDDIO}$	3	
		$I_{VDD18}$	3	
		$I_{TOTAL}$	243	

## 10 Layout

### 10.1 TUSB121x USB2.0 Product Family Board Layout Recommendations

**Table 10-1. TUSB121x USB2.0 Product Family Board Layout Recommendations**

Item	USB General Considerations
1.00	USB design requires symmetrical termination and symmetrical component placement along the DP and DM paths.
1.01	Place the USB host controller and major components on the unrouted board first.
1.02	Place the USB host controller, as close as possible to the transceiver device, that is, ULPI interface traces as short as possible.
1.03	Route high-speed clock and high-speed USB. Route differential pairs first. Since these signals are critical and long length traces are to be avoided, it is therefore recommended to route DP/DM before routing less critical signals on the board. A similar recommendation is true for CLK, and ULPI signals which should be routed with equalized trace length.
1.04	Maintain maximum possible distance between high-speed clocks/periodic signals to high speed USB differential pairs and any connector leaving the PCB (such as I/O connectors, control, and signal headers or power connectors).
1.05	Place the USB receptacle at the board edge.
1.06	Maximum TI-recommended external capacitance on DP (or DM) lines is 4 pF <ul style="list-style-type: none"> <li>• This capacitance is the sum of all external discrete components, that is, the total capacitance on DP (or DM) lines including trace capacitance can be larger than 4 pF.</li> <li>• All discrete components should be placed as close as possible to the USB receptacle.</li> </ul>
1.07	Place the low-capacitance ESD protections as close as possible to the USB receptacle, with no other external devices in between.
1.08	Common mode chokes degrade signal quality, thus they should only be used if EMI performance enhancement is absolutely necessary.
1.09	Place the common mode choke (if required to improve EMI performance) as close as possible to the USB receptacle (but after one or more of the ESD devices).
	<b>USB Interface (DP, DM)</b>
2.00	Separate signal traces into similar categories and route similar signal traces together, that is, DP/DM and ULPI.
2.01	Route the USB receptacle ground pin to the analog ground plane of the device with multiple via connections.
2.02	Route the DP/DM trace pair together.
2.03	For HS-capable devices, route the DP/DM signals from the device to the USB receptacle with an optimum trace length of 5 cm. Maximum trace length 1-way delay of 0.5 ns (7.5 cm for 67 ps/cm in FR-3).
2.04	Match the DP/DM trace lengths. Maximum mismatch allowable is 150 mils ( $\approx 0.4$ cm).
2.05	Route the DP/DM signals with $90\ \Omega$ differential impedance, and $22.5\approx 30\text{-}\Omega$ common-mode impedance (objective is to have $Z_{odd} \approx Z_0 = Z_{diff}/2 = 45\ \Omega$ ).
2.06	Use an impedance calculator to determine the trace width and spacing required for the specific board stack up being used.
2.07	Keep the maximum possible distance between DP and DM signals from the other platform clocks, power sources and digital or analog signals.
2.08	Do not route DP/DM signals over or under crystals, oscillators, clock synthesizers, magnetic devices, or ICs that use clocks.
2.09	Avoid changing the routing layer for DP/DM traces. If unavoidable, use multiple vias.
2.10	Minimize bends and corners on DP/DM traces.
2.11	When it becomes necessary to turn $90^\circ$ , use two $45^\circ$ turns or an arc instead of making a single $90^\circ$ turn. This reduces reflections on the signal by minimizing impedance discontinuities.

**Table 10-1. TUSB121x USB2.0 Product Family Board Layout Recommendations (continued)**

Item	USB General Considerations
2.12	Avoid creating stubs on the DP/DM traces as stubs cause signal reflections and affect global signal quality.
2.13	If stubs are unavoidable, they must be less than 200 mils ( $\approx 0.5$ cm).
2.14	Route DP/DM signals over continuous VCC or GND planes, without interruption, avoiding crossing anti-etch (plane splits), which increase both inductance and radiation levels by introducing a greater loop area.
2.15	Route DP/DM signals with at least 25 mils ( $\approx 0.65$ mm) away from any plane splits.
2.16	Follow the 20×h thumb rule by keeping traces at least 20×(height above the plane) away from the edge of the plane (V <sub>CC</sub> or GND, depending on the plane the trace is over).
2.17	Changing signal layers is preferable to crossing plane splits if a choice must be made.
2.18	If crossing a plane split is completely unavoidable, proper placement of stitching capacitors can minimize the adverse effects on EMI and signal quality performance caused by crossing the split.
2.19	Avoid anti-etch on the ground plane.
<b>ULPI Interface (ULPIDATA&lt;7:0&gt;, ULPICLK, ULPINXT, ULPIDIR, ULPISTP)</b>	
3.00	Route ULPI 12-pin bus as a 50 $\Omega$ single-ended adapted bus.
3.01	Route ULPI 12-pin bus with minimum trace lengths and a strict maximum of 90 mm, to ensure timing. (Timing budget 600 ps maximum 1-way delay assuming 66 ps/cm.)
3.02	Route ULPI 21-pin bus equalizing paths lengths as much as possible to have equal delays.
3.03	Route ULPI 12-pin bus as clock signals and set a minimum spacing of 3 times the trace width ( $S < 3W$ ).
3.04	If the 3W minimum spacing is not respected, the minimum spacing for clock signals based on EMI testing experience is 50 mils (1.27 mm).
3.05	Route ULPI 12-pin bus with a dedicated ground plane.
3.06	Place and route the ULPI monitoring buffers as close as possible from the device ULPI bus (on test boards).
<b>USB Clock (USBCLKIN, CLK_IN1, CLK_IN0)</b>	
4.00	Route the USB clock with the minimum possible trace length.
4.01	Keep the maximum possible distance between the USB clock and the other platform clocks, power sources, and digital and analog signals.
4.02	Route the USBCLKIN, CLK_IN1 and CLK_IN0 inputs as 50 $\Omega$ single-ended signals.
<b>USB Power Supply (VBUS, REG3V3, REG1V5, VBAT)</b>	
5.00	VBUS must be a power plane from the device VBUS ball to the USB receptacle, or if a power plan is not possible, VBUS must be as large as possible.
5.01	Power signals must be wide to accommodate current level.

## 10.2 Layout Guidelines

- The  $V_{DDIO}$  pins of the TUSB1210 supply 1.8 V (nominal) power to the core of the TUSB1210. This power rail can be isolated from all other power rails by a ferrite bead to reduce noise.
- The  $V_{BAT}$  pin of the TUSB1210 supply 3.3 V (nominal) power rail to the TUSB1210. This power rail can be isolated from all other power rails by a ferrite bead to reduce noise.
- The  $V_{BUS}$  pin of the TUSB1210 supply 5 V (nominal) power rail to the TUSB1210. This pin is normally connected to the  $V_{BUS}$  pin of the USB connector.
- All power rails require 0.1  $\mu\text{F}$  decoupling capacitors for stability and noise immunity. The smaller decoupling capacitors should be placed as close to the TUSB1210 power pins as possible with an optimal grouping of two of differing values per pin.

## 10.3 Layout Example

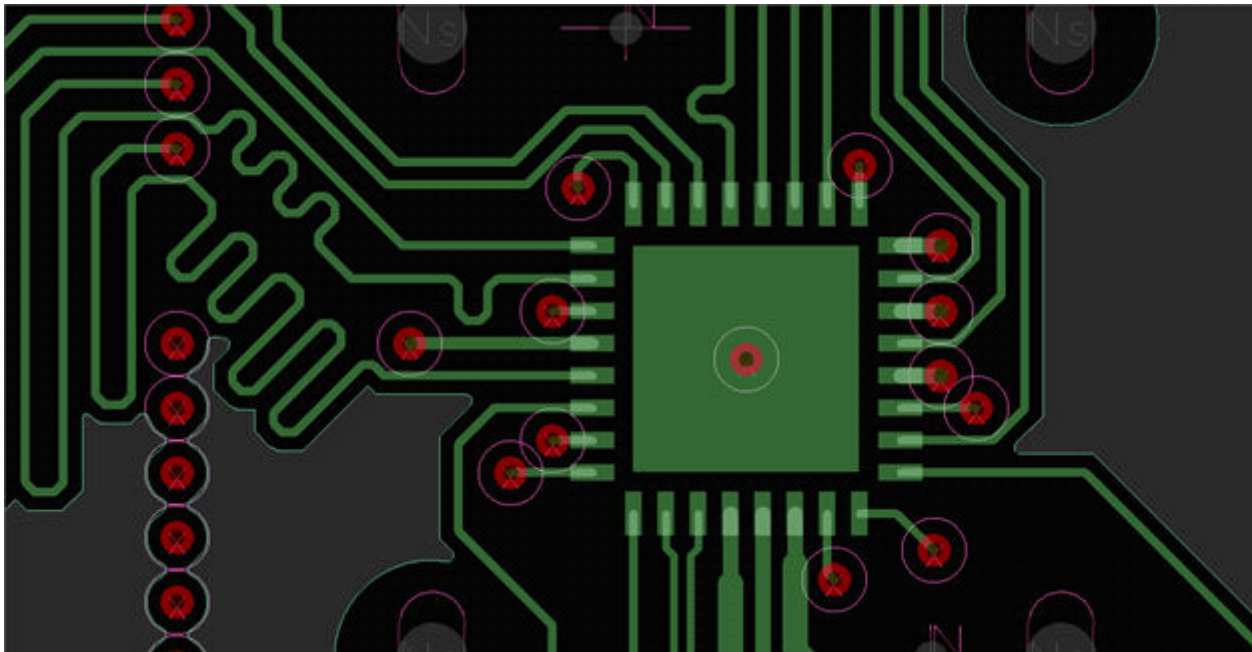


Figure 10-1. TUSB1210 Layout Example

## 11 Device and Documentation Support

### 11.1 Device Support

### 11.2 Documentation Support

[SLLZ066 Silicon Errata](#). Describes the known exceptions to the functional specifications for the TUSB1210-Q1.

#### 11.2.1 Related Documentation

For related documentation, see the following:

- Texas Instruments, [TUSB121x USB2.0 Board Guidelines application report](#)

### 11.3 Receiving Notification of Documentation Updates

To receive notification of documentation updates, navigate to the device product folder on [ti.com](#). Click on *Subscribe to updates* to register and receive a weekly digest of any product information that has changed. For change details, review the revision history included in any revised document.

### 11.4 Support Resources

[TI E2E™ support forums](#) are an engineer's go-to source for fast, verified answers and design help — straight from the experts. Search existing answers or ask your own question to get the quick design help you need.

Linked content is provided "AS IS" by the respective contributors. They do not constitute TI specifications and do not necessarily reflect TI's views; see TI's [Terms of Use](#).

### 11.5 Trademarks

TI E2E™ is a trademark of Texas Instruments.

All trademarks are the property of their respective owners.

### 11.6 Electrostatic Discharge Caution



This integrated circuit can be damaged by ESD. Texas Instruments recommends that all integrated circuits be handled with appropriate precautions. Failure to observe proper handling and installation procedures can cause damage.

ESD damage can range from subtle performance degradation to complete device failure. Precision integrated circuits may be more susceptible to damage because very small parametric changes could cause the device not to meet its published specifications.

### 11.7 Glossary

[TI Glossary](#) This glossary lists and explains terms, acronyms, and definitions.

## 12 Mechanical, Packaging, and Orderable Information

The following pages include mechanical, packaging, and orderable information. This information is the most current data available for the designated devices. This data is subject to change without notice and revision of this document. For browser-based versions of this data sheet, refer to the left-hand navigation.

## PACKAGING INFORMATION

Orderable part number	Status (1)	Material type (2)	Package   Pins	Package qty   Carrier	RoHS (3)	Lead finish/ Ball material (4)	MSL rating/ Peak reflow (5)	Op temp (°C)	Part marking (6)
<a href="#">TUSB1210BRHBR</a>	Active	Production	VQFN (RHB)   32	3000   LARGE T&R	Yes	NIPDAU	Level-1-260C-UNLIM	-40 to 85	T1210B
TUSB1210BRHBR.A	Active	Production	VQFN (RHB)   32	3000   LARGE T&R	Yes	NIPDAU	Level-1-260C-UNLIM	-40 to 85	T1210B
TUSB1210BRHBRG4	Active	Production	VQFN (RHB)   32	3000   LARGE T&R	Yes	NIPDAU	Level-1-260C-UNLIM	-40 to 85	T1210B
TUSB1210BRHBRG4.A	Active	Production	VQFN (RHB)   32	3000   LARGE T&R	Yes	NIPDAU	Level-1-260C-UNLIM	-40 to 85	T1210B
<a href="#">TUSB1210BRHBT</a>	Active	Production	VQFN (RHB)   32	250   SMALL T&R	Yes	NIPDAU	Level-1-260C-UNLIM	-40 to 85	T1210B
TUSB1210BRHBT.A	Active	Production	VQFN (RHB)   32	250   SMALL T&R	Yes	NIPDAU	Level-1-260C-UNLIM	-40 to 85	T1210B

(1) **Status:** For more details on status, see our [product life cycle](#).

(2) **Material type:** When designated, preproduction parts are prototypes/experimental devices, and are not yet approved or released for full production. Testing and final process, including without limitation quality assurance, reliability performance testing, and/or process qualification, may not yet be complete, and this item is subject to further changes or possible discontinuation. If available for ordering, purchases will be subject to an additional waiver at checkout, and are intended for early internal evaluation purposes only. These items are sold without warranties of any kind.

(3) **RoHS values:** Yes, No, RoHS Exempt. See the [TI RoHS Statement](#) for additional information and value definition.

(4) **Lead finish/Ball material:** Parts may have multiple material finish options. Finish options are separated by a vertical ruled line. Lead finish/Ball material values may wrap to two lines if the finish value exceeds the maximum column width.

(5) **MSL rating/Peak reflow:** The moisture sensitivity level ratings and peak solder (reflow) temperatures. In the event that a part has multiple moisture sensitivity ratings, only the lowest level per JEDEC standards is shown. Refer to the shipping label for the actual reflow temperature that will be used to mount the part to the printed circuit board.

(6) **Part marking:** There may be an additional marking, which relates to the logo, the lot trace code information, or the environmental category of the part.

Multiple part markings will be inside parentheses. Only one part marking contained in parentheses and separated by a "~" will appear on a part. If a line is indented then it is a continuation of the previous line and the two combined represent the entire part marking for that device.

**Important Information and Disclaimer:** The information provided on this page represents TI's knowledge and belief as of the date that it is provided. TI bases its knowledge and belief on information provided by third parties, and makes no representation or warranty as to the accuracy of such information. Efforts are underway to better integrate information from third parties. TI has taken and continues to take reasonable steps to provide representative and accurate information but may not have conducted destructive testing or chemical analysis on incoming materials and chemicals. TI and TI suppliers consider certain information to be proprietary, and thus CAS numbers and other limited information may not be available for release.

In no event shall TI's liability arising out of such information exceed the total purchase price of the TI part(s) at issue in this document sold by TI to Customer on an annual basis.



**OTHER QUALIFIED VERSIONS OF TUSB1210 :**

- Automotive : [TUSB1210-Q1](#)

## NOTE: Qualified Version Definitions:

- Automotive - Q100 devices qualified for high-reliability automotive applications targeting zero defects

**TAPE AND REEL INFORMATION**

**QUADRANT ASSIGNMENTS FOR PIN 1 ORIENTATION IN TAPE**


\*All dimensions are nominal

Device	Package Type	Package Drawing	Pins	SPQ	Reel Diameter (mm)	Reel Width W1 (mm)	A0 (mm)	B0 (mm)	K0 (mm)	P1 (mm)	W (mm)	Pin1 Quadrant
TUSB1210BRHBR	VQFN	RHB	32	3000	330.0	12.4	5.3	5.3	1.1	8.0	12.0	Q2
TUSB1210BRHBRG4	VQFN	RHB	32	3000	330.0	12.4	5.3	5.3	1.1	8.0	12.0	Q2
TUSB1210BRHBT	VQFN	RHB	32	250	180.0	12.4	5.3	5.3	1.1	8.0	12.0	Q2

**TAPE AND REEL BOX DIMENSIONS**


\*All dimensions are nominal

Device	Package Type	Package Drawing	Pins	SPQ	Length (mm)	Width (mm)	Height (mm)
TUSB1210BRHBR	VQFN	RHB	32	3000	346.0	346.0	33.0
TUSB1210BRHBRG4	VQFN	RHB	32	3000	346.0	346.0	33.0
TUSB1210BRHBT	VQFN	RHB	32	250	182.0	182.0	20.0

## GENERIC PACKAGE VIEW

**RHB 32**

**VQFN - 1 mm max height**

5 x 5, 0.5 mm pitch

PLASTIC QUAD FLATPACK - NO LEAD



Images above are just a representation of the package family, actual package may vary.  
Refer to the product data sheet for package details.

4224745/A



4223442/B 08/2019

NOTES:

1. All linear dimensions are in millimeters. Any dimensions in parenthesis are for reference only. Dimensioning and tolerancing per ASME Y14.5M.
2. This drawing is subject to change without notice.
3. The package thermal pad must be soldered to the printed circuit board for thermal and mechanical performance.

# EXAMPLE BOARD LAYOUT

RHB0032E

VQFN - 1 mm max height

PLASTIC QUAD FLATPACK - NO LEAD



LAND PATTERN EXAMPLE  
SCALE:18X



SOLDER MASK DETAILS

4223442/B 08/2019

NOTES: (continued)

4. This package is designed to be soldered to a thermal pad on the board. For more information, see Texas Instruments literature number SLUA271 ([www.ti.com/lit/sluea271](http://www.ti.com/lit/sluea271)).
5. Vias are optional depending on application, refer to device data sheet. If any vias are implemented, refer to their locations shown on this view. It is recommended that vias under paste be filled, plugged or tented.

# EXAMPLE STENCIL DESIGN

RHB0032E

VQFN - 1 mm max height

PLASTIC QUAD FLATPACK - NO LEAD



**SOLDER PASTE EXAMPLE**  
 BASED ON 0.125 mm THICK STENCIL

EXPOSED PAD 33:  
 75% PRINTED SOLDER COVERAGE BY AREA UNDER PACKAGE  
 SCALE:20X

4223442/B 08/2019

NOTES: (continued)

6. Laser cutting apertures with trapezoidal walls and rounded corners may offer better paste release. IPC-7525 may have alternate design recommendations.

## IMPORTANT NOTICE AND DISCLAIMER

TI PROVIDES TECHNICAL AND RELIABILITY DATA (INCLUDING DATASHEETS), DESIGN RESOURCES (INCLUDING REFERENCE DESIGNS), APPLICATION OR OTHER DESIGN ADVICE, WEB TOOLS, SAFETY INFORMATION, AND OTHER RESOURCES "AS IS" AND WITH ALL FAULTS, AND DISCLAIMS ALL WARRANTIES, EXPRESS AND IMPLIED, INCLUDING WITHOUT LIMITATION ANY IMPLIED WARRANTIES OF MERCHANTABILITY, FITNESS FOR A PARTICULAR PURPOSE OR NON-INFRINGEMENT OF THIRD PARTY INTELLECTUAL PROPERTY RIGHTS.

These resources are intended for skilled developers designing with TI products. You are solely responsible for (1) selecting the appropriate TI products for your application, (2) designing, validating and testing your application, and (3) ensuring your application meets applicable standards, and any other safety, security, regulatory or other requirements.

These resources are subject to change without notice. TI grants you permission to use these resources only for development of an application that uses the TI products described in the resource. Other reproduction and display of these resources is prohibited. No license is granted to any other TI intellectual property right or to any third party intellectual property right. TI disclaims responsibility for, and you fully indemnify TI and its representatives against any claims, damages, costs, losses, and liabilities arising out of your use of these resources.

TI's products are provided subject to [TI's Terms of Sale](#), [TI's General Quality Guidelines](#), or other applicable terms available either on [ti.com](#) or provided in conjunction with such TI products. TI's provision of these resources does not expand or otherwise alter TI's applicable warranties or warranty disclaimers for TI products. Unless TI explicitly designates a product as custom or customer-specified, TI products are standard, catalog, general purpose devices.

TI objects to and rejects any additional or different terms you may propose.

Copyright © 2025, Texas Instruments Incorporated

Last updated 10/2025