

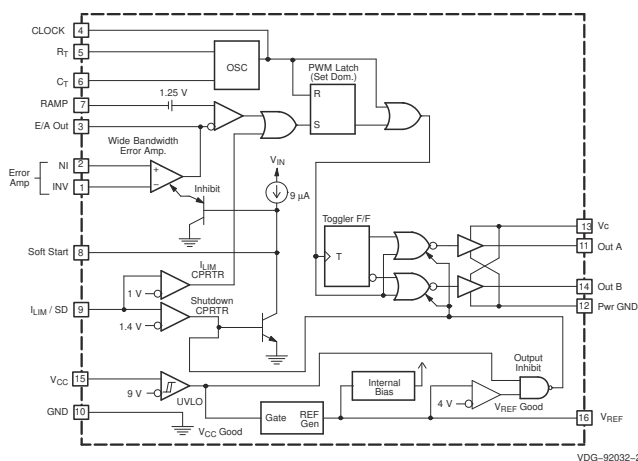
UC1825B-SP Class-V, Radiation Hardened High-Speed PWM Controller

1 Features

- QML-V qualified, SMD 5962-8768106
- 5962R8768106VYC:
 - Radiation hardness assurance (RHA) up to 100-krad(Si) total ionizing dose (TID)¹
- Compatible with voltage- or current-mode topologies
- Practical operation switching frequencies to 1 MHz
- 50-ns propagation delay-to-output
- High-current dual totem pole outputs (2-A peak)
- Wide bandwidth error amplifier
- Fully latched logic with double-pulse suppression
- Pulse-by-pulse current limiting
- Soft start/maximum duty-cycle control
- Undervoltage lockout with hysteresis
- Low start-up current (1.1 mA)

2 Applications

- Radiation-hardened DC-DC converters
- Satellite buses and payloads
- [Communications payload](#)
- [Optical imaging payload](#)
- [Radar imaging payload](#)
- Space launch vehicles
- Supports various topologies:
 - Flyback, forward, buck, boost
 - Push-pull, half-bridge, full-bridge with external interface circuit



Block Diagram

3 Description

The UC1825B-SP PWM control device is optimized for high-frequency switched mode power supply applications. Particular care was given to minimizing propagation delays through the comparators and logic circuitry while maximizing bandwidth and slew rate of the error amplifier. This controller is designed for use in either current-mode or voltage mode systems with the capability for input voltage feed-forward.

Protection circuitry includes a current limit comparator with a 1-V threshold, a TTL compatible shutdown port, and a soft start pin which will double as a maximum duty-cycle clamp. The logic is fully latched to provide jitter-free operation and prohibit multiple pulses at an output. An undervoltage lockout section with 800 mV of hysteresis assures low start up current. During undervoltage lockout, the outputs are high impedance.

This device features totem pole outputs designed to source and sink high peak currents from capacitive loads, such as the gate of a power MOSFET. The on-state is designed as a high level.

Device Information

| PART NUMBER ⁽¹⁾ | GRADE ⁽²⁾ | PACKAGE |
|----------------------------|--|--------------------------------|
| 5962R8768106VYC | Flight grade QMLV-RHA 100 krad(Si) | CFP (16) 10.16 mm x 7.10 mm |
| UC1825BHKT/EM | Engineering samples ⁽³⁾ | |
| 5962R8768106V9A | Flight grade QMLV-RHA KGD 100 krad(Si) | Die |

- (1) For all available packages, see the orderable addendum at the end of the data sheet.
- (2) For additional information about part grade, view [SLYB235](#).
- (3) These units are intended for engineering evaluation only. They are processed to a noncompliant flow. These units are not suitable for qualification, production, radiation testing or flight use. Parts are not warranted for performance over the full MIL specified temperature range of -55°C to 125°C or operating life.

¹ Radiation tolerance is a typical value based upon initial device qualification with dose rate = 10 mrad(Si)/s. Radiation Lot Acceptance Testing is available - contact factory for details.



Table of Contents

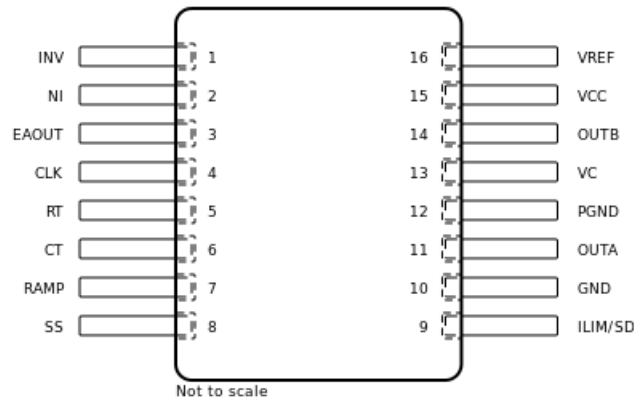
| | | | |
|--|----|--|----|
| 1 Features | 1 | 8 Application and Implementation | 14 |
| 2 Applications | 1 | 8.1 Application Information..... | 14 |
| 3 Description | 1 | 8.2 Typical Application..... | 15 |
| 4 Revision History | 2 | 8.3 Application Curves..... | 22 |
| 5 Pin Configuration and Functions | 3 | 9 Power Supply Recommendations | 26 |
| 6 Specifications | 6 | 10 Layout | 26 |
| 6.1 Absolute Maximum Ratings..... | 6 | 10.1 Layout Guidelines..... | 26 |
| 6.2 ESD Ratings..... | 6 | 10.2 Layout Example..... | 27 |
| 6.3 Recommended Operating Conditions..... | 6 | 11 Device and Documentation Support | 28 |
| 6.4 Thermal Information..... | 7 | 11.1 Documentation Support..... | 28 |
| 6.5 Electrical Characteristics..... | 7 | 11.2 Receiving Notification of Documentation Updates.. | 28 |
| 6.6 Typical Characteristics..... | 8 | 11.3 Support Resources..... | 28 |
| 7 Detailed Description | 9 | 11.4 Trademarks..... | 28 |
| 7.1 Overview..... | 9 | 11.5 Electrostatic Discharge Caution..... | 28 |
| 7.2 Functional Block Diagram..... | 9 | 11.6 Glossary..... | 28 |
| 7.3 Feature Description..... | 9 | 12 Mechanical, Packaging, and Orderable Information | 29 |
| 7.4 Device Functional Modes..... | 13 | | |

4 Revision History

NOTE: Page numbers for previous revisions may differ from page numbers in the current version.

| Changes from Revision * (April 2019) to Revision A (December 2020) | Page |
|--|------|
| • Updated the numbering format for tables, figures, and cross-references throughout the document..... | 1 |
| • Added Bare Die Information table to <i>Pin Configuration and Functions</i> section..... | 3 |
| • Added UC1825B-SP Bare Die Pin Number Locations figure to <i>Pin Configuration and Functions</i> section..... | 3 |
| • Added Bond Pad Coordinates in Microns table to <i>Pin Configuration and Functions</i> section..... | 3 |
| • Updated <i>Synchronization</i> section..... | 10 |

5 Pin Configuration and Functions



**Figure 5-1. HKT Package
16-Pin CFP
Top View**

Table 5-1. Pin Functions

| NAME | NO. | I/O | DESCRIPTION |
|---------|-----|-----|--|
| CLK | 4 | O | Output of the internal oscillator. |
| CT | 6 | I | Timing capacitor connection pin for oscillator frequency programming. The timing capacitor should be connected to the device ground using minimal trace length. |
| EAOUT | 3 | O | Output of the error amplifier for compensation. |
| GND | 10 | — | Analog ground return pin. |
| ILIM/SD | 9 | I | Input to the current limit comparator and the shutdown comparator. |
| INV | 1 | I | Inverting input to the error amplifier. |
| NI | 2 | I | Non-inverting input to the error amplifier. |
| OUTA | 11 | O | High-current totem pole output A of the on-chip drive stage. |
| OUTB | 14 | O | High-current totem pole output B of the on-chip drive stage. |
| PGND | 12 | — | Ground return pin for the output driver stage. |
| RAMP | 7 | I | Non-inverting input to the PWM comparator with 1.25-V internal input offset. In voltage mode operation this serves as the input voltage feed-forward function by using the CT ramp. In peak current mode operation, this serves as the slope compensation input. |
| RT | 5 | I | Timing resistor connection pin for oscillator frequency programming. |
| SS | 8 | I | Soft-start input pin which also doubles as the maximum duty cycle clamp. |
| VC | 13 | — | Power supply pin for the output stage. This pin should be bypassed with a 0.1- μ F monolithic ceramic low ESL capacitor with minimal trace lengths. |
| VCC | 15 | — | Power supply pin for the device. This pin should be bypassed with a 0.1- μ F monolithic ceramic low ESL capacitor with minimal trace lengths. |
| VREF | 16 | O | 5.1-V reference. For stability, the reference should be bypassed with a 0.1- μ F monolithic ceramic low ESL capacitor and minimal trace length to the ground plane. |

Table 5-2. Bare Die Information

| DIE THICKNESS | BACKSIDE FINISH | BACKSIDE POTENTIAL | BOND PAD METALLIZATION COMPOSITION | BOND PAD THICKNESS |
|---------------|-----------------------|--------------------|------------------------------------|--------------------|
| 15 mils | Backgrind Si - Finish | GND | AlCu | 2000 nm |

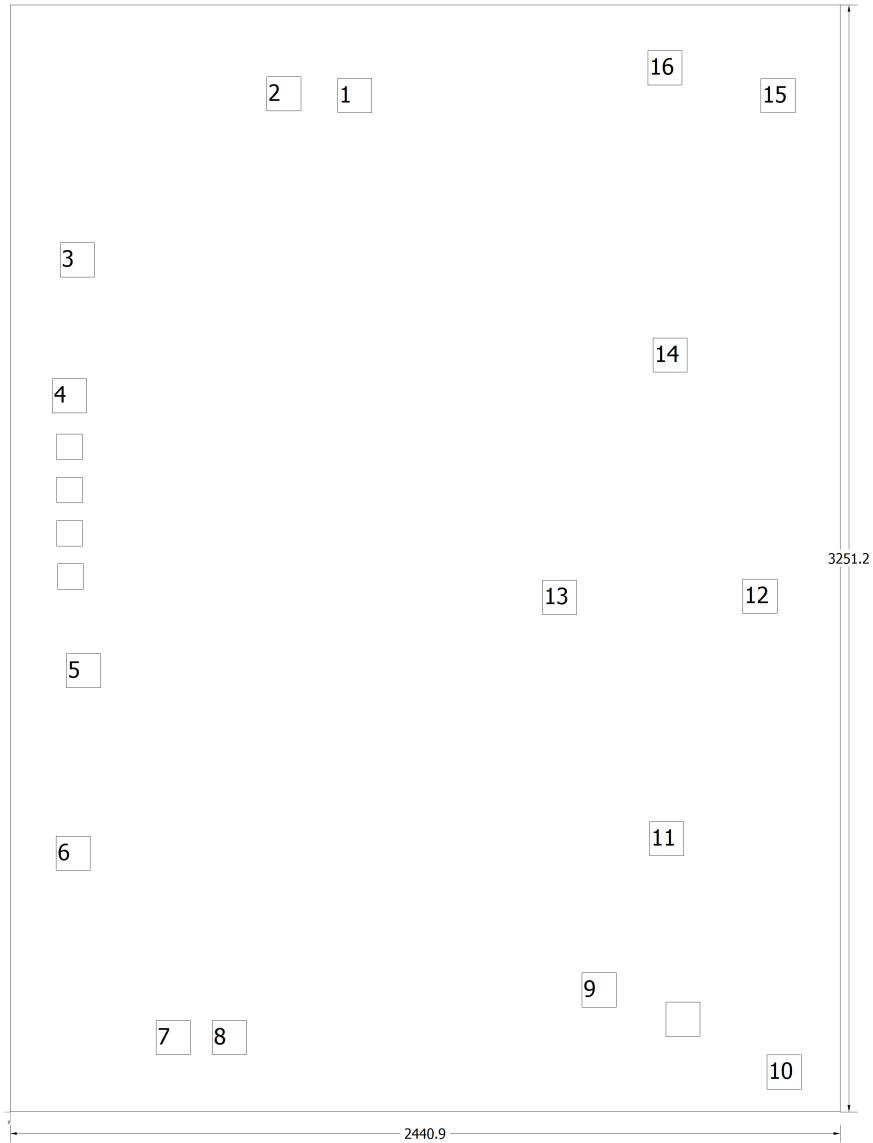


Figure 5-2. UC1825B-SP Bare Die Pin Number Locations

Table 5-3. Bond Pad Coordinates in Microns

| DESCRIPTION | PAD NUMBER | X MIN | Y MIN | X MAX | Y MAX |
|-------------|------------|---------|---------|---------|---------|
| INV | 1 | 962.66 | 2933.7 | 1064.26 | 3035.3 |
| NI | 2 | 754.38 | 2938.78 | 855.98 | 3040.38 |
| EAOUT | 3 | 147.32 | 2451.1 | 248.92 | 2552.7 |
| CLK | 4 | 124.46 | 2052.32 | 226.06 | 2153.92 |
| RT | 9 | 165.1 | 1244.6 | 266.7 | 1346.2 |
| CT | 10 | 134.62 | 708.66 | 236.22 | 810.26 |
| RAMP | 11 | 429.26 | 167.64 | 530.86 | 269.24 |
| SS | 12 | 594.36 | 167.64 | 695.96 | 269.24 |
| ILIM/SD | 13 | 1681.48 | 307.34 | 1783.08 | 408.94 |
| GND | 15 | 2225.04 | 66.04 | 2326.64 | 167.64 |
| OUTA | 16 | 1879.6 | 751.84 | 1981.2 | 853.44 |
| PGND | 17 | 2153.92 | 1463.04 | 2255.52 | 1564.64 |
| VC | 18 | 1564.64 | 1460.5 | 1666.24 | 1562.1 |
| OUTB | 19 | 1889.76 | 2171.7 | 1991.36 | 2273.3 |
| VCC | 20 | 2207.26 | 2933.7 | 2308.86 | 3035.3 |
| RAMP | 21 | 1874.52 | 3014.98 | 1976.12 | 3116.58 |

6 Specifications

6.1 Absolute Maximum Ratings

over operating free-air temperature range (unless otherwise noted)^{(1) (2)}

| | | | MIN | MAX | UNIT |
|------------------|--|---------------------|------|-----|--------------|
| | Supply voltage | VC, VCC | | 30 | V |
| | Output current, source or sink, OUTA, OUTB | DC | | 0.5 | A |
| | | Pulse (0.5 μ s) | | 2.0 | |
| | Analog inputs | INV, NI, RAMP | -0.3 | 7 | V |
| | | SS, ILIM/SD | -0.3 | 6 | |
| | Clock output current | CLK | | -5 | mA |
| | Error amplifier output current | EAOUT | | 5 | mA |
| | Soft-start sink current | SS | | 20 | mA |
| | Oscillator charging current | RT | | -5 | mA |
| | Power dissipation | | | 1 | W |
| | Lead temperature (soldering, 10 seconds) | | | 300 | $^{\circ}$ C |
| T _{stg} | Storage temperature | | -65 | 150 | $^{\circ}$ C |

- Stresses beyond those listed under *Absolute Maximum Ratings* may cause permanent damage to the device. These are stress ratings only, which do not imply functional operation of the device at these or any other conditions beyond those indicated under *Recommended Operating Conditions*. Exposure to absolute-maximum-rated conditions for extended periods may affect device reliability.
- All voltages are with respect to GND; all currents are positive into, negative out of part; pin numbers refer to CFP-16 package.

6.2 ESD Ratings

| | | | VALUE | UNIT |
|--------------------|-------------------------|--|------------|------|
| V _(ESD) | Electrostatic discharge | Human-body model (HBM), per ANSI/ESDA/JEDEC JS-001 ⁽¹⁾ | \pm 1000 | V |
| | | Charged-device model (CDM), per JEDEC specification JESD22-C101 ⁽²⁾ | \pm 1500 | |

- JEDEC document JEP155 states that 500-V HBM allows safe manufacturing with a standard ESD control process.
- JEDEC document JEP157 states that 250-V CDM allows safe manufacturing with a standard ESD control process.

6.3 Recommended Operating Conditions

over operating free-air temperature range ($T_A = T_J = -55^{\circ}$ C to 125° C), unless otherwise noted.

| | | MIN | MAX | UNIT |
|-----------------|---|-----|-----|------|
| V _{CC} | Supply voltage | 10 | 30 | V |
| | Sink/source output current (continuous or time average) | 0 | 100 | mA |
| | Reference load current | 0 | 10 | mA |

6.4 Thermal Information

| THERMAL METRIC ⁽¹⁾ | | UC1825B-SP | UNIT |
|-------------------------------|--|------------|------|
| | | HKT (CFP) | |
| | | 16 PINS | |
| R _{θJA} | Junction-to-ambient thermal resistance | 32.2 | °C/W |
| R _{θJC(top)} | Junction-to-case (top) thermal resistance | 13.8 | °C/W |
| R _{θJB} | Junction-to-board thermal resistance | 15.2 | °C/W |
| ψ _{JT} | Junction-to-top characterization parameter | 7 | °C/W |
| ψ _{JB} | Junction-to-board characterization parameter | 14.6 | °C/W |
| R _{θJC(bot)} | Junction-to-case (bottom) thermal resistance | 5 | °C/W |

(1) For more information about traditional and new thermal metrics, see the [Semiconductor and IC Package Thermal Metrics application report](#).

6.5 Electrical Characteristics

Unless otherwise stated, these specifications apply for R_T = 3.65 kΩ, C_T = 1 nF, V_{CC} = 15 V, -55°C < T_A < 125°C, T_A = T_J

| PARAMETERS | TEST CONDITIONS | MIN | TYP | MAX | UNIT |
|---------------------------------------|--|-------|------|-------|------|
| REFERENCE | | | | | |
| Output voltage | T _J = 25°C, I _O = 1 mA | 5.024 | 5.1 | 5.176 | V |
| Line regulation | 10 V < V _{CC} < 30 V | | 2 | 20 | mV |
| Load regulation | 1 mA < I _O < 10 mA | | 5 | 20 | mV |
| Total output variation | Line, load, temperature | 5 | | 5.2 | V |
| Output noise voltage | 10 Hz < f < 10 kHz | | 50 | | μV |
| Short-circuit current | V _{REF} = 0 V | -15 | -50 | -100 | mA |
| OSCILLATOR SECTION | | | | | |
| Initial accuracy | T _J = 25°C | 360 | 400 | 440 | kHz |
| Voltage stability | 10 V < V _{CC} < 30 V | | 0.2% | 2% | |
| Temperature stability | T _{MIN} < T _A < T _{MAX} | | 5% | 16% | |
| Total variation | Line, Temperature | 340 | | 460 | kHz |
| Clock out high | | 3.9 | 4.5 | | V |
| Clock out low | | | 2.3 | 2.9 | V |
| Ramp peak ⁽¹⁾ | | 2.6 | 2.8 | 3 | V |
| Ramp valley ⁽¹⁾ | | 0.7 | 1 | 1.25 | V |
| Ramp valley to peak ⁽¹⁾ | | 1.6 | 1.8 | 2.1 | V |
| ERROR AMPLIFIER | | | | | |
| Input offset voltage | | | | 10 | mV |
| Input bias current | | | 0.6 | 3 | μA |
| Input offset current | | | 0.1 | 1 | μA |
| Open-loop gain | 1 V < V _O < 4 V | 60 | 95 | | dB |
| CMRR | 1.5 V < V _{CM} < 5.5 V | 75 | 95 | | dB |
| PSRR | 10 V < V _{CC} < 30 V | 85 | 110 | | dB |
| Output sink current | V _{E/AOut} = 1 V | 1 | 2.5 | | mA |
| Output source current | V _{E/AOut} = 4 V | -0.5 | -1.3 | | mA |
| Output high voltage | I _{E/AOut} = -0.5 mA | 4 | 4.7 | 5 | V |
| Output low voltage | I _{E/AOut} = 1 mA | 0 | 0.5 | 1 | V |
| Gain bandwidth product ⁽¹⁾ | f = 200 kHz | 5 | 10.5 | | MHz |
| Slew rate ⁽¹⁾ | | 4 | 9 | | V/μs |

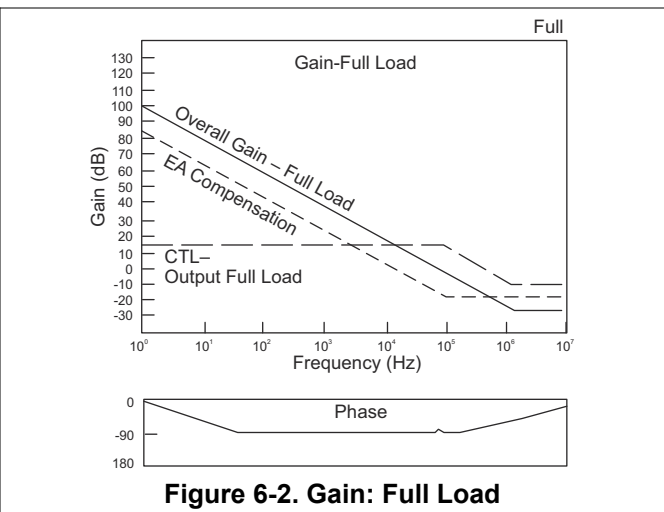
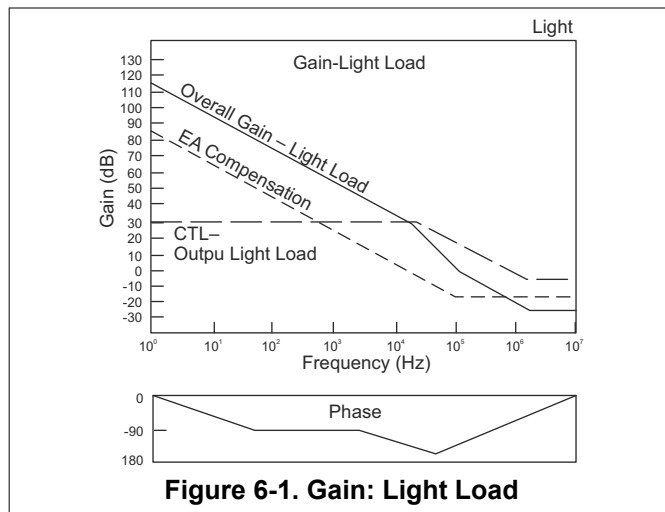
6.5 Electrical Characteristics (continued)

Unless otherwise stated, these specifications apply for $R_T = 3.65\text{ k}\Omega$, $C_T = 1\text{ nF}$, $V_{CC} = 15\text{ V}$, $-55^\circ\text{C} < T_A < 125^\circ\text{C}$, $T_A = T_J$

| PARAMETERS | TEST CONDITIONS | MIN | TYP | MAX | UNIT |
|-------------------------------------|---|------|------|------|---------------|
| PWM COMPARATOR | | | | | |
| Ramp bias current | $V_{\text{Ramp}} = 0\text{ V}$ | | -1 | -5 | μA |
| Duty cycle range | | 0% | | 80% | |
| E/A out zero dc threshold | $V_{\text{Ramp}} = 0\text{ V}$ | 1.1 | 1.25 | | V |
| Delay to output ⁽¹⁾ | | | 50 | 80 | ns |
| SOFT-START | | | | | |
| Charge current | $V_{\text{Soft Start}} = 0.5\text{ V}$ | 3 | 9 | 20 | μA |
| Discharge current | $V_{\text{Soft Start}} = 1\text{ V}$ | 1 | | | mA |
| CURRENT LIMIT/SHUTDOWN | | | | | |
| Current limit/shutdown bias current | $0 < V_{\text{ILIM/SD}} < 4\text{ V}$ | | | 15 | μA |
| Current limit threshold | | 0.9 | 1 | 1.1 | V |
| Shutdown threshold | | 1.25 | 1.4 | 1.55 | V |
| Delay to output ⁽¹⁾ | | | 50 | 80 | ns |
| OUTPUT | | | | | |
| Low-level output voltage | $I_{\text{OUT}} = 20\text{ mA}$ | | 0.25 | 0.4 | V |
| | $I_{\text{OUT}} = 200\text{ mA}$ | | 1.2 | 2.2 | |
| High-level output voltage | $I_{\text{OUT}} = -20\text{ mA}$ | 13 | 13.5 | | V |
| | $I_{\text{OUT}} = -200\text{ mA}$ | 12 | 13 | | |
| Collector leakage | $V_C = 30\text{ V}$ | | 10 | 500 | μA |
| Rise/fall time ⁽¹⁾ | $C_L = 1\text{ nF}$ | | 30 | 75 | ns |
| UNDERVOLTAGE LOCKOUT | | | | | |
| Start threshold | | 8.8 | 9.2 | 9.6 | V |
| UVLO hysteresis | | 0.4 | 0.8 | 1.2 | V |
| SUPPLY CURRENT SECTION | | | | | |
| Startup current | $V_{CC} = 8\text{ V}$ | | 1.1 | 2.5 | mA |
| I_{CC} | $V_{\text{INV}} = V_{\text{Ramp}} = V_{\text{ILIM/SD}} = 0\text{ V}$, $V_{\text{NI}} = 1\text{ V}$ | | 22 | 33 | mA |

(1) Parameters ensured by design and/or characterization, if not production tested.

6.6 Typical Characteristics

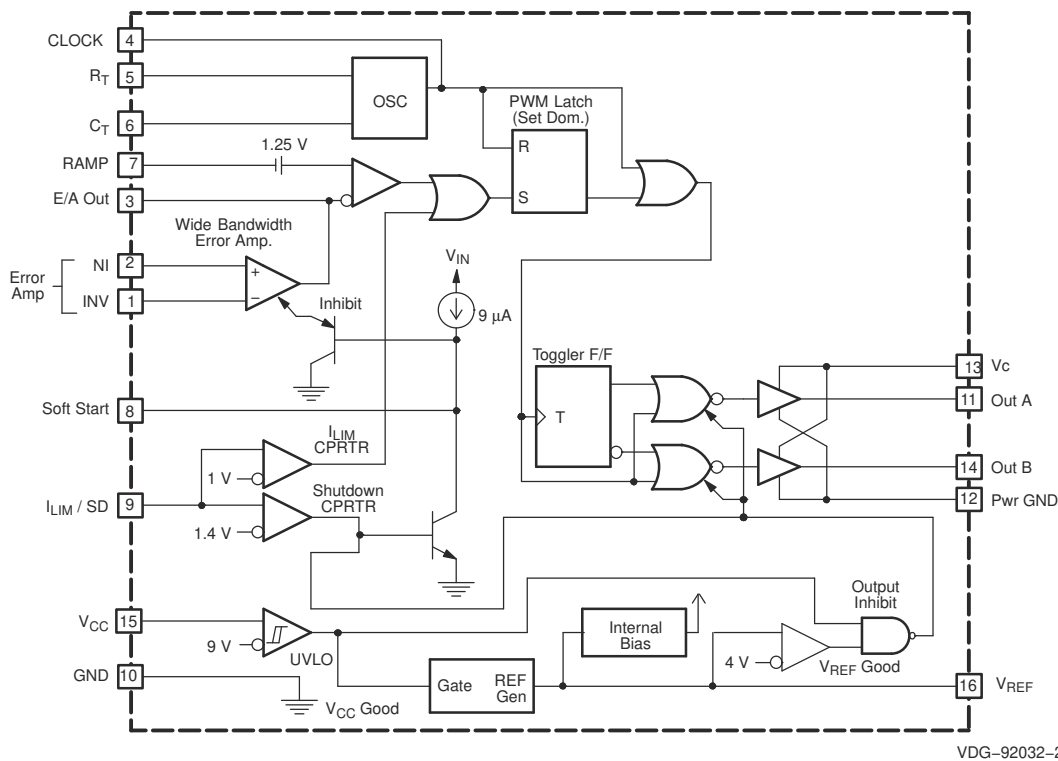


7 Detailed Description

7.1 Overview

UC1825B-SP PWM controller is a radiation hardened version of the standard UC1825 family. Error amplifier gain bandwidth product is 10.5 MHz. Protection circuitry includes a current limit comparator with a 1-V threshold, a TTL compatible shutdown port, and a soft start pin which will double as a maximum duty-cycle clamp. The logic is fully latched to provide jitter-free operation and prohibit multiple pulses at an output. An undervoltage lockout section with 800 mV of hysteresis assures low start up current. During undervoltage lockout, the outputs are high impedance. This device features totem pole outputs designed to source and sink high peak currents from capacitive loads, such as the gate of a power MOSFET. The on state is designed as a high level.

7.2 Functional Block Diagram



7.3 Feature Description

UC1825B-SP can be configured as current mode controller, used to support various topologies such as forward, flyback, buck, boost and using an external interface circuit will also support half-bridge, full bridge, and push-pull configurations.

7.3.1 Control Methods

Figure 7-1 shows the control methods.

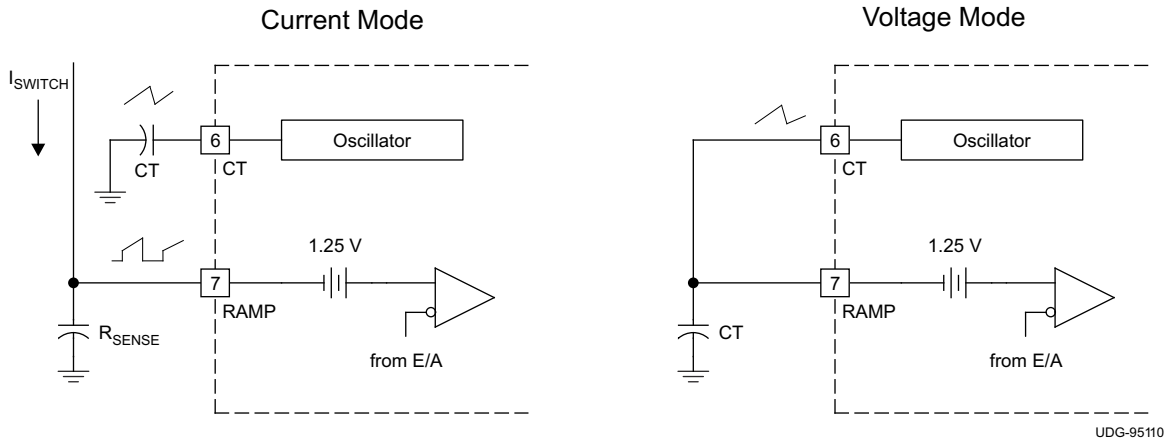


Figure 7-1. Control Methods

7.3.2 Synchronization

The oscillator can be synchronized by an external pulse inserted in series with the timing capacitor (see Figure 7-2). Program the free running frequency of the oscillator to be 10% to 15% slower than the desired synchronous frequency. The pulse width must be greater than 10 ns and less than half the discharge time of the oscillator. Figure 7-3 shows how to synchronize two ICs, with one as primary and one as secondary. Figure 7-4 shows the waveforms in a primary and secondary configuration.

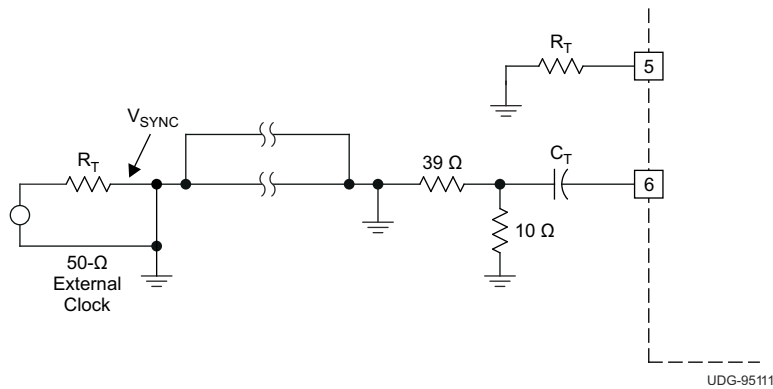


Figure 7-2. General Oscillator Synchronization

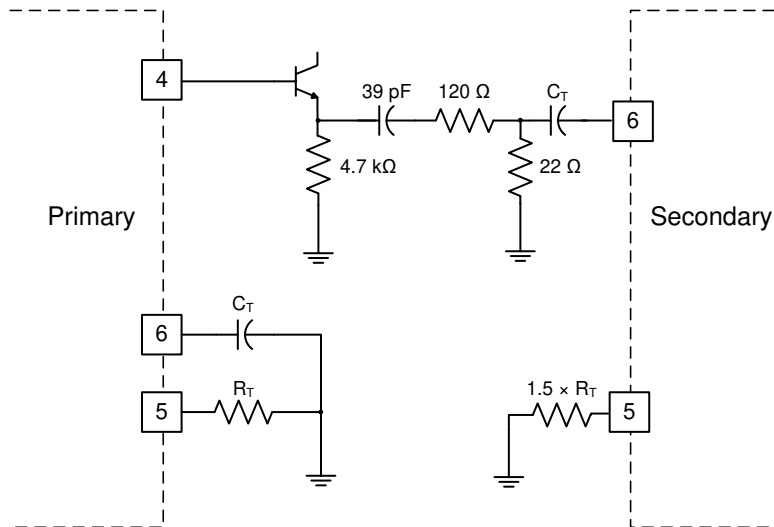


Figure 7-3. Two Unit Interface

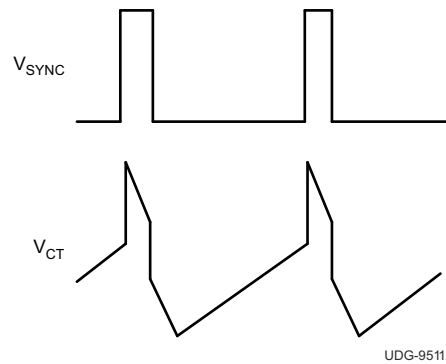


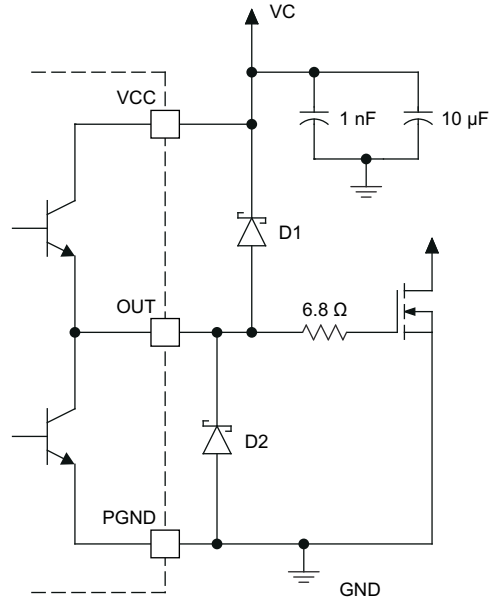
Figure 7-4. Operational Waveforms

7.3.3 High Current Outputs

Each totem pole output of the UC1825B-SP can deliver a 2-A peak current into a capacitive load. The output can slew a 1000-pF capacitor by 15 V in approximately 20 ns. Separate collector supply (VC) and power ground (PGND) pins help decouple the analog circuitry of the device from the high-power gate drive noise. The use of 3-A Schottky diodes (1N5120, USD245, or equivalent) as shown in the Figure 10-1 from each output to both VC and PGND are recommended. The diodes clamp the output swing to the supply rails, necessary with any type of inductive or capacitive load, typical of a MOSFET gate, as shown in Figure 7-5. Schottky diodes must be used because a low forward voltage drop is required.

Note

Do **not** use standard silicon diodes.



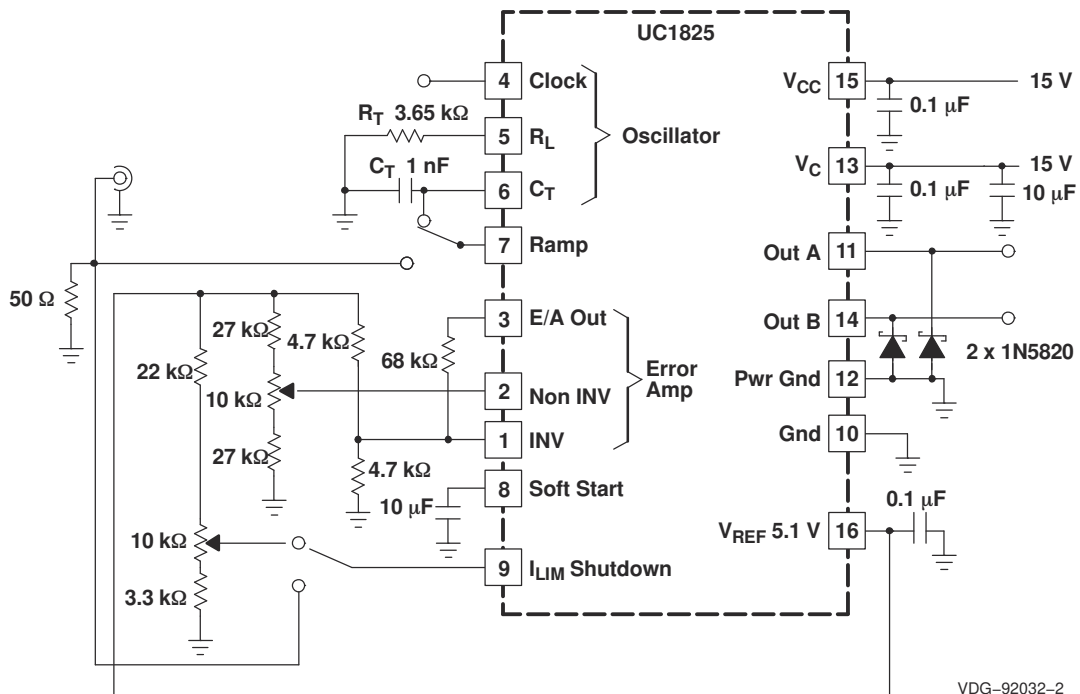
D1, D2 = 1N5820

UDG-95114

Figure 7-5. Power MOSFET Drive Circuit

7.3.4 Open Loop Test Circuit

This test fixture is useful for exercising many functions of this device family and measuring their specifications (see Figure 7-6). As with any wideband circuit, careful grounding and bypass procedures must be followed. TI highly recommends using a ground plane.



VDG-92032-2

Figure 7-6. Open Loop Test Circuit Schematic

7.4 Device Functional Modes

The UC1825B-SP is compatible with voltage-mode or current-mode topologies. The UC1825B-SP uses fixed frequency, peak current mode control. An internal oscillator initiates the turn-on of the driver to high-side power switch. The external power switch current is sensed through an external resistor and is compared through internal comparator. The voltage generated at the COMP pin is stepped down through internal resistors. When the sensed current reaches the stepped down COMP voltage, the high-side power switch is turned off.

8 Application and Implementation

Note

Information in the following applications sections is not part of the TI component specification, and TI does not warrant its accuracy or completeness. TI's customers are responsible for determining suitability of components for their purposes, as well as validating and testing their design implementation to confirm system functionality.

8.1 Application Information

The oscillator of the UC1825B-SP is a saw tooth (see Figure 8-1). The rising edge is governed by a current controlled by the RT pin and value of capacitance at the CT pin (C_{CT}). The falling edge of the sawtooth sets dead time for the outputs. Selection of R_T must be done first, based on desired maximum duty cycle (see Figure 8-3). C_T can then be chosen based on the desired frequency (R_T) and D_{MAX} (see Figure 8-2). Equation 1 shows the design equations.

$$R_T = \frac{3 \text{ V}}{(10 \text{ mA}) \times (1 - D_{MAX})} \quad C_T = \frac{(1.6 \times D_{MAX})}{(R_T \times f)} \quad (1)$$

Recommended values for R_T range from 1 k Ω to 100 k Ω . Control of D_{MAX} less than 70% is not recommended.

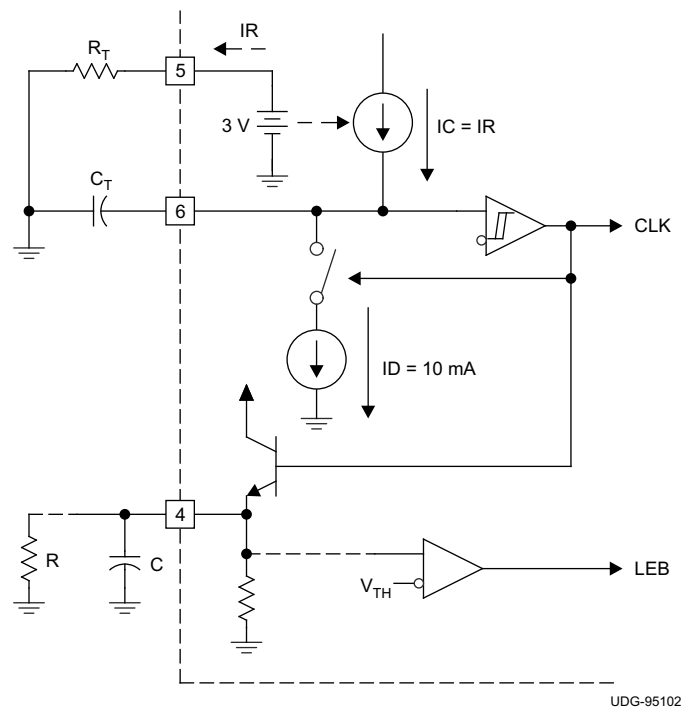
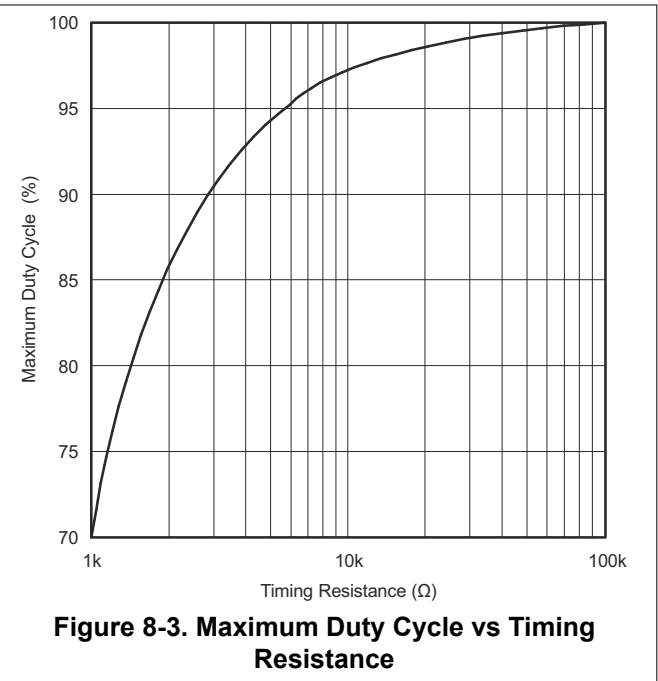
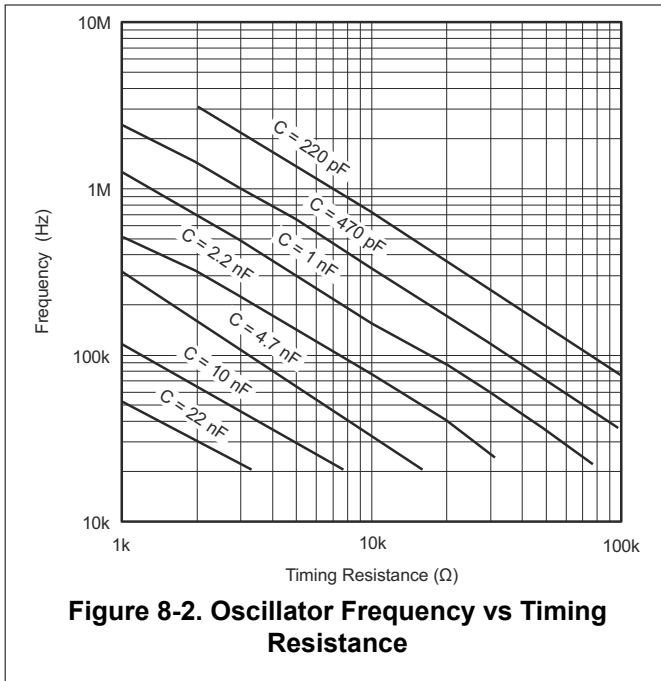


Figure 8-1. Oscillator



8.2 Typical Application

The UC1825B-SP as a dual output controller that has integrated drivers for a push-pull topology and can be used for half bridge and full bridge applications by using external high side drivers. While the UC1825B-SP originally supported voltage mode topologies, the device with minimal external components can support current mode topologies as well. The RAMP pin is used for the input current sense and the ILIM pin is used as the current limit pin. External components are needed to ensure slope compensation is implemented.

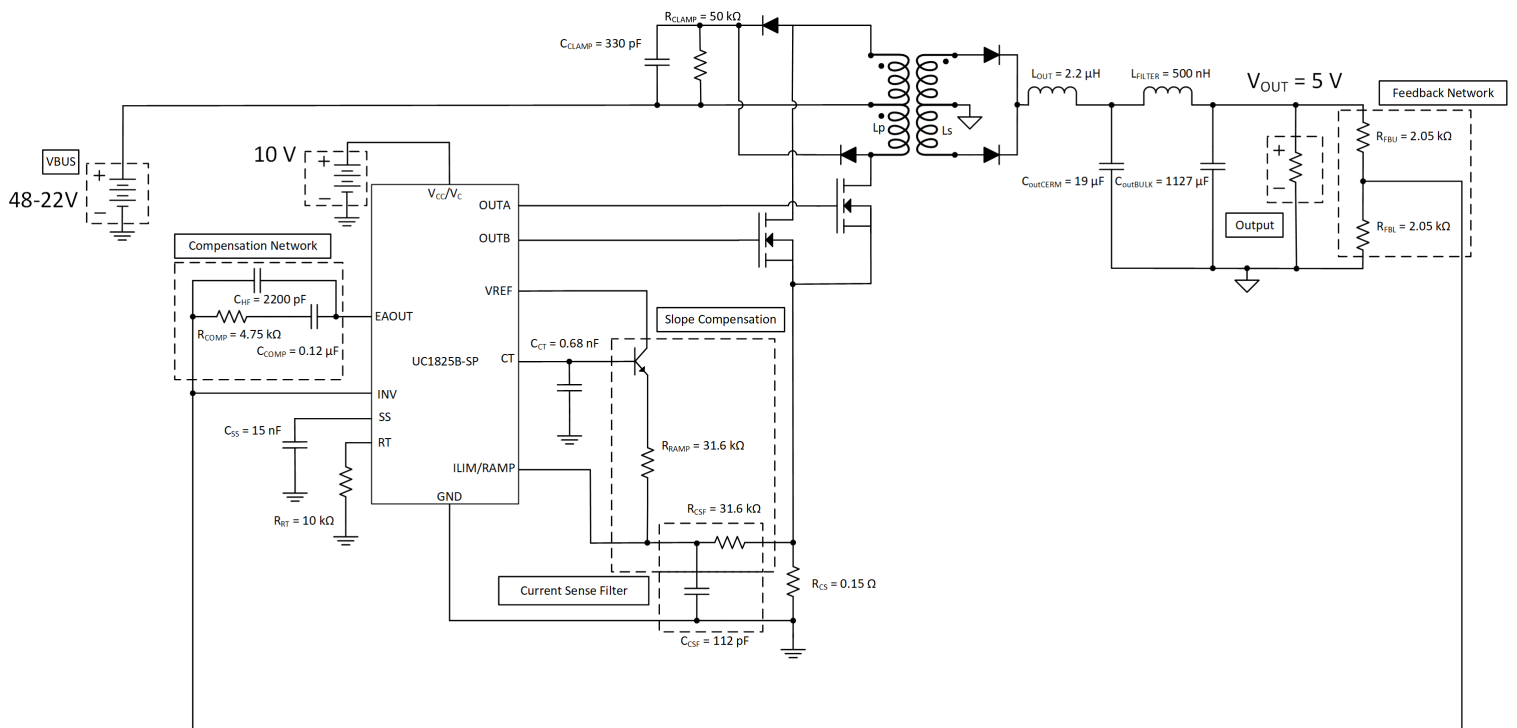


Table 8-1. Design Parameters

| PARAMETER | SPECIFICATIONS |
|-----------------------------------|----------------|
| Input Power Supply | 22 to 48 VDC |
| Output Voltage | 5 VDC |
| Output Current | 0 to 10 A |
| Output Current Pre-load | 0.5 mA |
| Operating Temperature | 25°C |
| Switching Frequency of UC1825B-SP | 215 kHz |
| Peak Input Current Limit | 7 A |
| Bandwidth | ~5 kHz |
| Phase Margin | ~80° |

8.2.1 System Design Theory

8.2.1.1 Switching Frequency

Choosing a switching frequency has a trade off between efficiency and bandwidth. Higher switching frequencies will have larger bandwidth, but a lower efficiency than lower switching frequencies. A switching frequency of 215 kHz was chosen as a trade off between bandwidth and efficiency. Using [Equation 2](#) for the UC1825B-SP, R_T and C_T were chosen to be 10 k Ω and 680 pF, respectively.

$$f_{osc} \approx \frac{1.46}{R_t \times C_t} \quad (2)$$

$$f_{osc} \approx \frac{1.46}{7.15 \text{ k}\Omega \times 680 \text{ pF}} = 215 \text{ kHz} \quad (3)$$

8.2.1.2 Transformer

The transformer of the design consists of two major values, turns ratio and primary side inductance. There is no minimum limit to the turns ratio of the transformer, just a maximum limit. The equation below will give the turns ratio as a function of duty cycle which if the maximum duty cycle of the converter is used will give you a maximum turns ratio. The UC1825B-SP design targeted a duty cycle of 30%. Since this design is for a dual output device the duty cycle must stay below 50%. If both outputs were running above 50% duty cycle they would have to overlap which is not possible for the topology. The equation of the turns ratio of the transformer is [Equation 4](#).

$$N_{psMAX} = \frac{2 \times V_{inMIN} \times D_{lim}}{(V_{out} + V_{Diode})} \quad (4)$$

$$N_{psMAX} = \frac{2 \times 22 \text{ V} \times 0.3}{(5 \text{ V} + 0.7 \text{ V})} = 2.31 \quad (5)$$

Often the turns ratio will slightly change in design due to how the transformer is manufactured. For the UC1825B-SP design a turns ratio of 2.2 was used. Another turns ratio that is important is the turns ratio of the auxiliary winding. The auxiliary winding is found by figuring out what positive voltage is needed from the auxiliary winding. Selecting this voltage lets one pick the turns ratio from the secondary to the auxiliary winding, which in turn allows for the turns ratio from primary to auxiliary to be found. The equation for the turns ratio is [Equation 6](#).

$$N_{as} = \frac{N_{ps} \times V_{aux}}{V_{inMIN}} \quad (6)$$

$$N_{as} = \frac{2.2 \times 15 \text{ V}}{22 \text{ V}} = 1.5 \quad (7)$$

An auxiliary winding of 1.5 was used for the UC1825B-SP design. The primary inductance of the transformer is found from picking an appropriate magnetizing current. The magnetizing current of the transformer is the amount of current drawn through the windings of the transformer when the output is open circuited. Decreasing the magnetizing current will increase the inductance of the transformer, perhaps to unreasonable values. Increasing the magnetizing current will cause efficiency to decrease. It is desirable to keep the magnetizing current low, thus 6% was picked for the design value. The equation for the auxiliary winding turns ratio is [Equation 8](#).

$$L_p = \frac{N_{ps} \times V_{inMAX} \times D_{MIN}}{f_{osc} \times \%_{mag} \times I_{out}} \quad (8)$$

$$L_p = \frac{2.2 \times 48 \times 0.13}{215 \text{ kHz} \times 0.06 \times 10} = 106 \text{ } \mu\text{H} \quad (9)$$

There are quite a few physical limitations when making transformers that will affect the inductance value. For the UC1825B-SP design a primary inductance of 120 μH was used. The output inductor was then picked based on the output inductor ripple current with [Equation 10](#).

$$L_{inductor} = \frac{\left(\frac{V_{inMAX}}{N_{ps}} - V_f - V_{out} \right) \times D_{MIN}}{f_{osc} \times I_{out} \times \%_{ripple}} \quad (10)$$

$$L_{inductor} = \frac{\left(\frac{48 \text{ V}}{2.2} - 0.7 \text{ V} - 5 \text{ V} \right) \times 0.13}{215 \text{ kHz} \times 10 \text{ A} \times 0.45} = 2.14 \text{ } \mu\text{H} \quad (11)$$

In the final design, a 2.2- μH inductor was used. The peak and primary currents of the transformer are also generally useful for figuring out the physical structure of the transformer, so equations are listed below. Note these equations are only true for continuous conduction mode. Peak currents are higher at the maximum input voltage while the RMS current is highest at the minimum input voltage. These are also idea values and don't take into account efficiency. Final designs needs to be optimized depending on the specific application requirements. Equations that show how to calculate these for this design are below:

$$I_{secMAX} = I_{out} + 0.5 \times \%_{ripple} \times I_{out} \quad (12)$$

$$I_{secMAX} = 10 \text{ A} + 0.5 \times 0.445 \times 10 \text{ A} = 12.23 \text{ A} \quad (13)$$

$$I_{priMAX} = \frac{I_{secMAX} + 0.5 \times \%_{mag} \times I_{out}}{N_{ps}} \quad (14)$$

$$I_{priMAX} = \frac{12.23 \text{ A} + 0.5 \times 0.06 \times 10 \text{ A}}{2.2} = 5.7 \text{ A} \quad (15)$$

$$I_{secMAX(VinMIN)} = I_{out} + \frac{D_{MAX} \times \left(\frac{V_{inMIN}}{N_{ps}} - (V_{out} + V_f) \right)}{2 \times f_{osc} \times L_{inductor}} \quad (16)$$

$$I_{\text{secMAX}}(V_{\text{inMIN}}) = 10 \text{ A} + \frac{0.285 \times \left(\frac{22 \text{ V}}{2.2} - (5 \text{ V} + 0.7 \text{ V}) \right)}{2 \times 215 \text{ kHz} \times 2.2 \text{ } \mu\text{H}} = 11.3 \text{ A} \quad (17)$$

$$I_{\text{priMAX}}(V_{\text{inMIN}}) = \frac{I_{\text{secMAX}}(V_{\text{inMIN}}) + 0.5 \times \%_{\text{mag}} \times I_{\text{out}}}{N_{\text{ps}}} \quad (18)$$

$$I_{\text{priMIN}}(V_{\text{inMIN}}) = \frac{11.3 \text{ A} + 0.5 \times 0.06 \times 10}{2.2} = 5.27 \text{ A} \quad (19)$$

$$I_{\text{secMIN}}(V_{\text{inMIN}}) = I_{\text{out}} - \frac{D_{\text{MAX}} \times \left(\frac{V_{\text{inMIN}}}{N_{\text{ps}}} - (V_{\text{out}} + V_f) \right)}{2 \times f_{\text{osc}} \times L_{\text{inductor}}} \quad (20)$$

$$I_{\text{secMIN}}(V_{\text{inMIN}}) = 10 \text{ A} - \frac{0.285 \times \left(\frac{22 \text{ V}}{2.2} - (5 \text{ V} + 0.7 \text{ V}) \right)}{2 \times 215 \text{ kHz} \times 2.2 \text{ } \mu\text{H}} = 8.7 \text{ A} \quad (21)$$

$$I_{\text{priMIN}}(V_{\text{inMIN}}) = \frac{I_{\text{secMIN}}(V_{\text{inMIN}}) - 0.5 \times \%_{\text{mag}} \times I_{\text{out}}}{N_{\text{ps}}} \quad (22)$$

$$I_{\text{priMIN}}(V_{\text{inMIN}}) = \frac{8.7 \text{ A} - 0.5 \times 0.06 \times 10}{2.2} = 3.82 \text{ A} \quad (23)$$

$$t_{\text{onMAX}} = \frac{(V_{\text{out}} + V_f) \times N_{\text{ps}}}{2 \times f_{\text{osc}} \times V_{\text{inMIN}}} \quad (24)$$

$$t_{\text{onMAX}} = \frac{(5 \text{ V} + 0.7 \text{ V}) \times 2.2}{2 \times 215 \text{ kHz} \times 22 \text{ V}} = 1.33 \text{ } \mu\text{s} \quad (25)$$

$$m_{\text{pri}} = \frac{I_{\text{priMAX}}(V_{\text{inMIN}}) - I_{\text{priMIN}}(V_{\text{inMIN}})}{t_{\text{onMAX}}} \quad (26)$$

$$m_{\text{pri}} = \frac{5.27 - 3.82}{1.33 \text{ } \mu\text{s}} = 1090226 \text{ A/s} \quad (27)$$

$$I_{\text{priRMS}} = D_{\text{MIN}} \times \left(\frac{(m_{\text{pri}} \times t_{\text{onMAX}})^2}{3} + \frac{m_{\text{pri}}}{2} \times I_{\text{priMIN}}(V_{\text{inMIN}}) \times t_{\text{onMAX}} + I_{\text{priMIN}}(V_{\text{inMIN}})^2 \right) \quad (28)$$

$$I_{\text{priRMS}} = 0.285 \times \left(\frac{(1090226 \text{ A/s} \times 1.33 \text{ } \mu\text{s})^2}{3} + \frac{1090226 \text{ A/s}}{2} \times 3.82 \text{ A} \times 1.33 \text{ } \mu\text{s} + (3.82 \text{ A})^2 \right) = 2.27 \text{ A} \quad (29)$$

8.2.1.3 RCD and Diode Clamp

For the UC1825BEVM-CVAL a resistor and capacitor in combination with a diode was used to clamp the voltage of the switch node. The resistor and capacitor is generally a value that is found through testing, but starting values can be obtained. To figure out the resistor and capacitor needed for the RCD clamp, one must first decide how much the node is allowed to overshoot. The equation for finding the voltage of the clamp is [Equation 30](#).

$$V_{\text{Clamp}} = K_{\text{Clamp}} \times N_{\text{ps}} \times (V_{\text{out}} + V_{\text{Diode}}) \quad (30)$$

Note that K_{Clamp} is recommended to be 1.5 as this will allow for only around 50% overshoot. Knowing the parasitic inductance of the transformer and how much the RCD clamp voltage is allowed to change over the switching cycle, can allow one to figuring out starting values for the resistor and capacitor using [Equation 31](#) and [Equation 32](#).

$$R_{\text{Clamp}} = \frac{V_{\text{Clamp}}^2}{\frac{1}{2} \times L_{\text{leakage}} \times I_{\text{PriPeak}}^2 \times \frac{V_{\text{Clamp}}}{V_{\text{Clamp}} - N_{\text{ps}} \times (V_{\text{out}} + V_{\text{Diode}})} \times f_{\text{osc}}} \quad (31)$$

$$C_{\text{Clamp}} = \frac{V_{\text{Clamp}}}{\Delta V_{\text{Clamp}} \times V_{\text{Clamp}} \times R_{\text{Clamp}} \times f_{\text{osc}}} \quad (32)$$

A starting value of 10% is generally used for ΔV_{Clamp} .

8.2.1.4 Output Diode

The voltage stress by the converter on the diode can be found with [Equation 33](#).

$$V_{\text{DiodeStress}} = V_{\text{out}} + \frac{V_{\text{inMAX}}}{N_{\text{ps}}} \quad (33)$$

$$V_{\text{DiodeStress}} = 5 \text{ V} + \frac{48 \text{ V}}{2.2} = 26.8 \text{ V} \quad (34)$$

Note that any diode picked should have a voltage rating of well above this value as it does not include parasitic spikes in the equation. The UC1825-SP diode was picked to have a voltage rating of 60 V.

8.2.1.5 Main Switching MOSFETs

Each switch applies the input voltage across the transformer and the voltage is then divided down by the turns ratio and applied to the secondary side. Since the magnitude of the voltage across the windings is the input voltage, when the switch is off the primary switching MOSFETs will see twice the input voltage as the voltage stress plus some amount of ringing. This means the MOSFETs chosen for a push-pull topology should have a voltage rating of about 2.5 to 3 times higher than the input voltage.

8.2.1.6 Output Filter and Capacitance

For most designs, a ripple voltage is picked and the output capacitance is figured out from that value. The output capacitance value needs to be able to withstand a full output current step as well as keep the voltage ripple of the output low. The UC1825B-SP design started similar to that using the equations for voltage ripple and load step with [Equation 35](#) and [Equation 37](#).

$$C_{\text{out}} > \frac{I_{\text{out}} \times 2 \times D_{\text{MAX}}}{V_{\text{Ripple}} \times f_{\text{osc}}} \quad (35)$$

$$C_{out} > \frac{10 \text{ A} \times 2 \times 0.3}{50 \text{ mV} \times 200 \text{ kHz}} = 600 \text{ } \mu\text{F} \quad (36)$$

$$C_{out} > \frac{\Delta I_{step}}{2 \pi \times \Delta V_{out} \times f_{co}} \quad (37)$$

$$C_{out} > \frac{10 \text{ A}}{2 \pi \times 0.3 \text{ V} \times 5 \text{ kHz}} = 1060 \text{ } \mu\text{F} \quad (38)$$

A value of around 1145 μF was chosen to keep output voltage ripple low. Note that the output voltage ripple in the design was further decreased by adding an output filter and by adding an inductor after a small portion of the output capacitance. This was done in order to keep output voltage ripple as low as possible. Six ceramic capacitors were picked to be placed before the output filter and then the large tantalum capacitors with some small ceramics were added to be part of the output filter. The initial ceramics will help with the initial current ripple, but have a very large output voltage ripple. This voltage ripple will be attenuated by the inductor and capacitor combination placed between the ceramic capacitors and the output. The equations below allow for finding the amount of attenuation that will come from a specific output filter inductance. An inductance of 500 nH was chosen to attenuate the output voltage ripple. The value was chosen to put the resonant frequency pole well before the switching frequency of the design as well as the zero from the ESR of the bulk capacitors to provide more attenuation.

$$F_{resonant} = \frac{1}{2 \pi \times L_{Filter} \times C_{oBulk}} \quad (39)$$

$$F_{resonant} = \frac{1}{2 \pi \times 0.5 \text{ nH} \times 1127 \text{ } \mu\text{F}} = 6.7 \text{ kHz} \quad (40)$$

$$F_{zero} = \frac{1}{2 \pi \times C_{oBulk} \times ESR_{oBulk}} \quad (41)$$

$$F_{zero} = \frac{1}{2 \pi \times 1127 \text{ } \mu\text{F} \times 0.009 \text{ } \Omega} = 15.69 \text{ kHz} \quad (42)$$

$$Attenuation_{f_{sw}} = 40 \times \log_{10} \left(\frac{f_{osc}}{f_{resonant}} \right) - 20 \times \log_{10} \left(\frac{f_{osc}}{f_{zero}} \right) \quad (43)$$

$$Attenuation_{f_{sw}} = 40 \times \log_{10} \left(\frac{200 \text{ kHz}}{6.7 \text{ kHz}} \right) - 20 \times \log_{10} \left(\frac{200 \text{ kHz}}{15.69 \text{ kHz}} \right) = 36.88 \text{ dB} \quad (44)$$

Sometimes the output filter can cause peaking at high frequencies. This can be damped by adding a resistor in parallel with the inductor which will decrease efficiency. For the UC1825B-SP design 0.5 Ω was used as a very conservative value. The resistance needed to damp the peaking can be calculated using the following equations:

$$\omega_o = \frac{2 (C_{oCerm} + C_{oBulk})}{L_{Filter} \times C_{oCerm} \times C_{oBulk}} \quad (45)$$

$$\omega_o = \frac{2 (19 \text{ } \mu\text{F} + 1127 \text{ } \mu\text{F})}{500 \text{ nH} \times 19 \text{ } \mu\text{F} \times 1127 \text{ } \mu\text{F}} = 463 \text{ kHz} \quad (46)$$

$$R_{Filter} = \frac{R_o \times L_{Filter} \times (C_{oCerm} + C_{oBulk}) - \frac{L_{Filter}}{\omega_o}}{R_o \times (C_{oCerm} + C_{oBulk}) - L_{Filter} \times C_{oCerm}} \quad (47)$$

$$R_{Filter} = \frac{0.5 \times 500 \text{ nH} \times (19 \text{ } \mu\text{F} + 1127 \text{ } \mu\text{F}) - \frac{500 \text{ nH}}{463 \text{ kHz}}}{0.5 \times (19 \text{ } \mu\text{F} + 1127 \text{ } \mu\text{F}) - 500 \text{ nH} \times 19 \text{ } \mu\text{F}} = 0.232 \text{ } \Omega \quad (48)$$

8.2.1.7 Compensation

Type IIB compensation was picked for the topology, adding a pole and a zero to the frequency response. The location of where the pole and zero should be placed will depend on the desired crossover frequency and the ESR zero of the output capacitors. The zero in compensation should be placed at least a decade before the crossover frequency for the maximum phase boost. Note that compensation values were picked with a crossover frequency of 5 kHz in mind for this design. The pole from the compensation should be placed at the zero created by the ESR of the output capacitor.

$$f_{zESR} = \frac{1}{2\pi \times C_{out} \times ESR} = \frac{1}{2\pi \times 1146 \text{ } \mu\text{F} \times 0.009 \text{ } \Omega} = 15.43 \text{ kHz} \quad (49)$$

$$f_{pCOMP} = \frac{1}{2\pi \times R_{COMP} \times C_{HF}} = \frac{1}{2\pi \times 4.75 \text{ k}\Omega \times 2200 \text{ pF}} = 15.23 \text{ kHz} \quad (50)$$

$$f_{zCOMP} = \frac{1}{2\pi \times R_{COMP} \times C_{COMP}} = \frac{1}{2\pi \times 4.75 \text{ k}\Omega \times 0.12 \text{ } \mu\text{F}} = 279 \text{ Hz} \quad (51)$$

The zero from compensation was placed well before the 500-Hz mark which is appropriate. The pole from compensation was optimized while the circuit was tested and thus it was found that placing the pole a little bit earlier smoothed out the frequency response.

8.2.1.8 Sense Resistor

The sense resistor is used to sense the ripple current from the transformer as well as shutdown the switching cycle if the peak current of the converter is over the current limit set. The voltage threshold of the CS pin is around 1 V and the shutdown current should be above the max current you expect. The max current limit will depend on the specific design. The equation used to find the max current limit is [Equation 52](#).

$$R_{CS} = \frac{V_{CS \text{ Threshold}}}{I_{limit}} \quad (52)$$

$$R_{CS} = \frac{1 \text{ V}}{6.66 \text{ A}} = 0.15 \text{ } \Omega \quad (53)$$

8.3 Application Curves

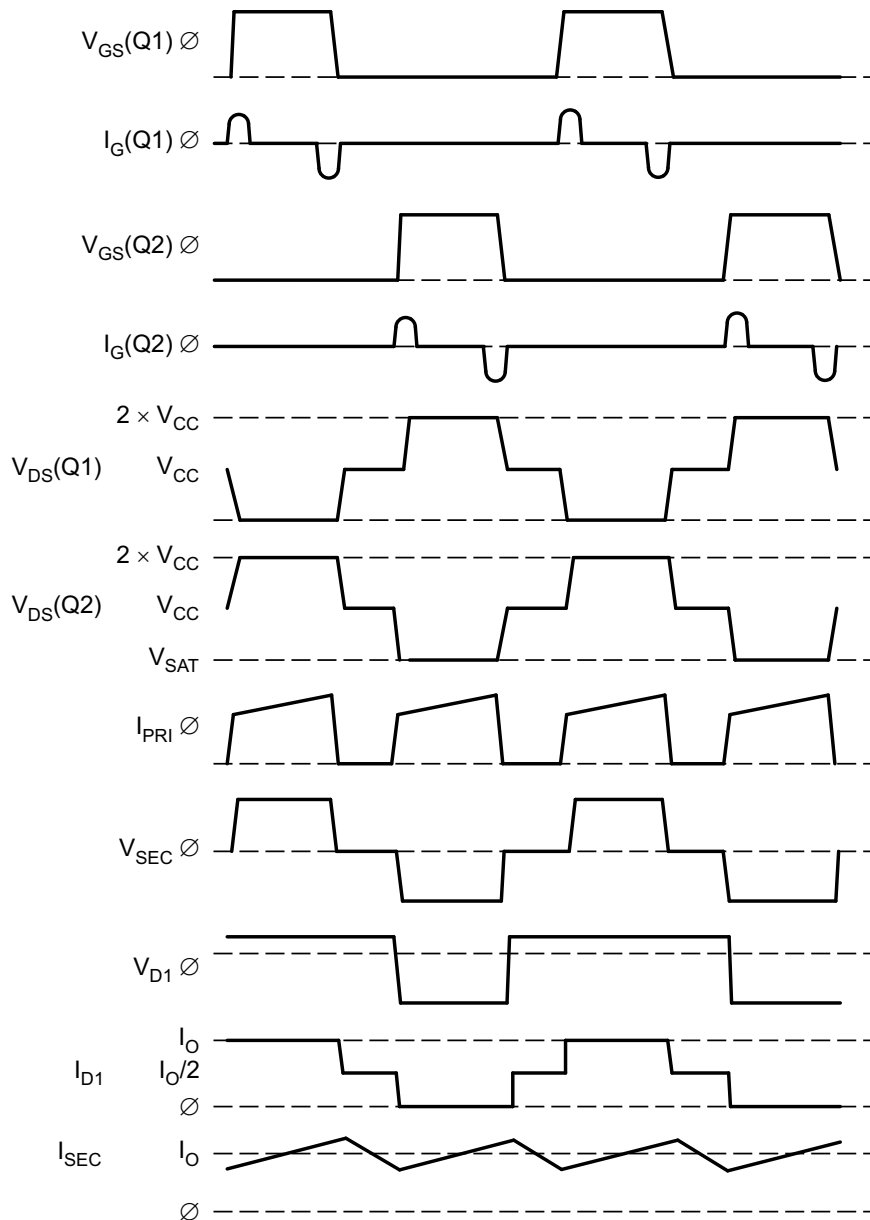


Figure 8-5. Basic Push-Pull Waveforms



Figure 8-6. Voltage Stress Across Main Switching MOSFETS Q1 and Q2

The test in [Figure 8-6](#) was done with 48-V input and a 10-A output load.

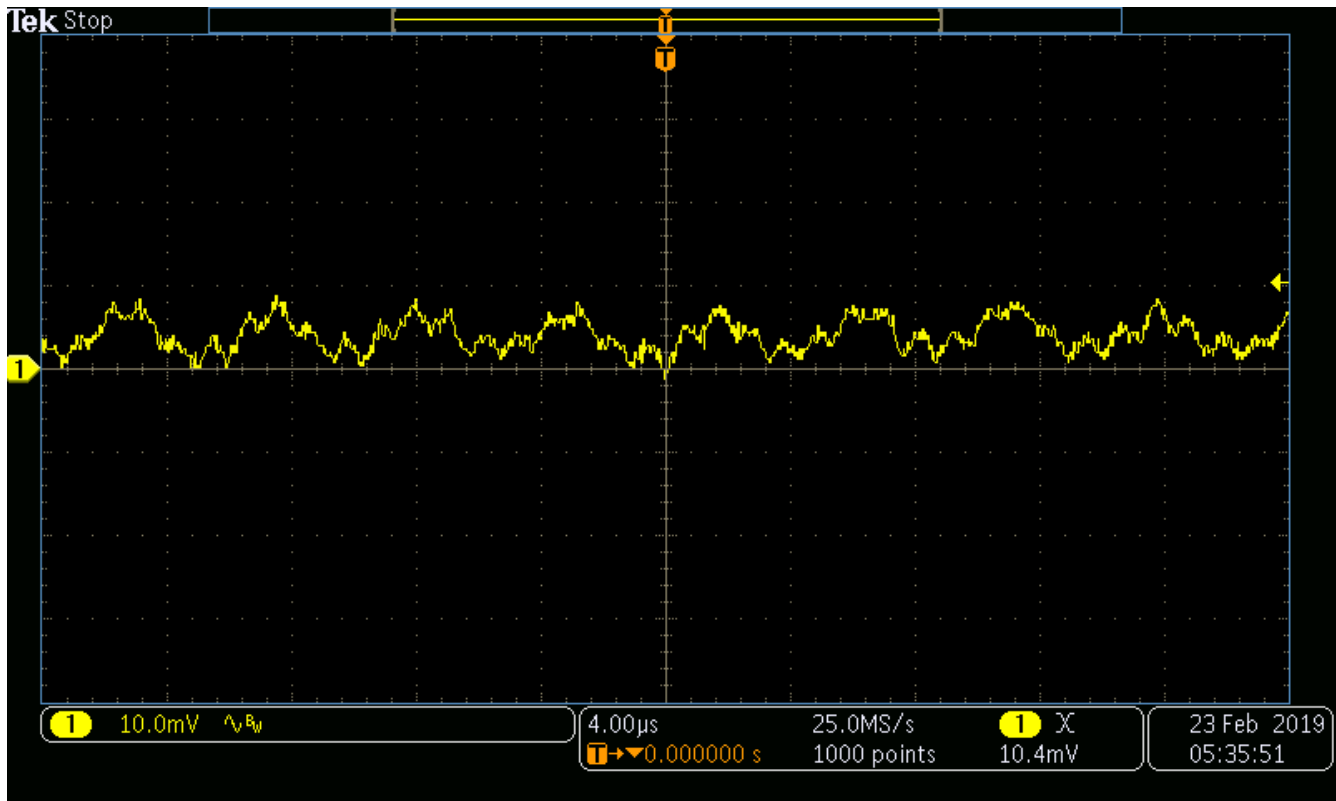


Figure 8-7. Output Voltage Ripple With 48 V_{IN}

Output voltage ripple test in [Figure 8-7](#) was done with 48-V input and 10-A output current.

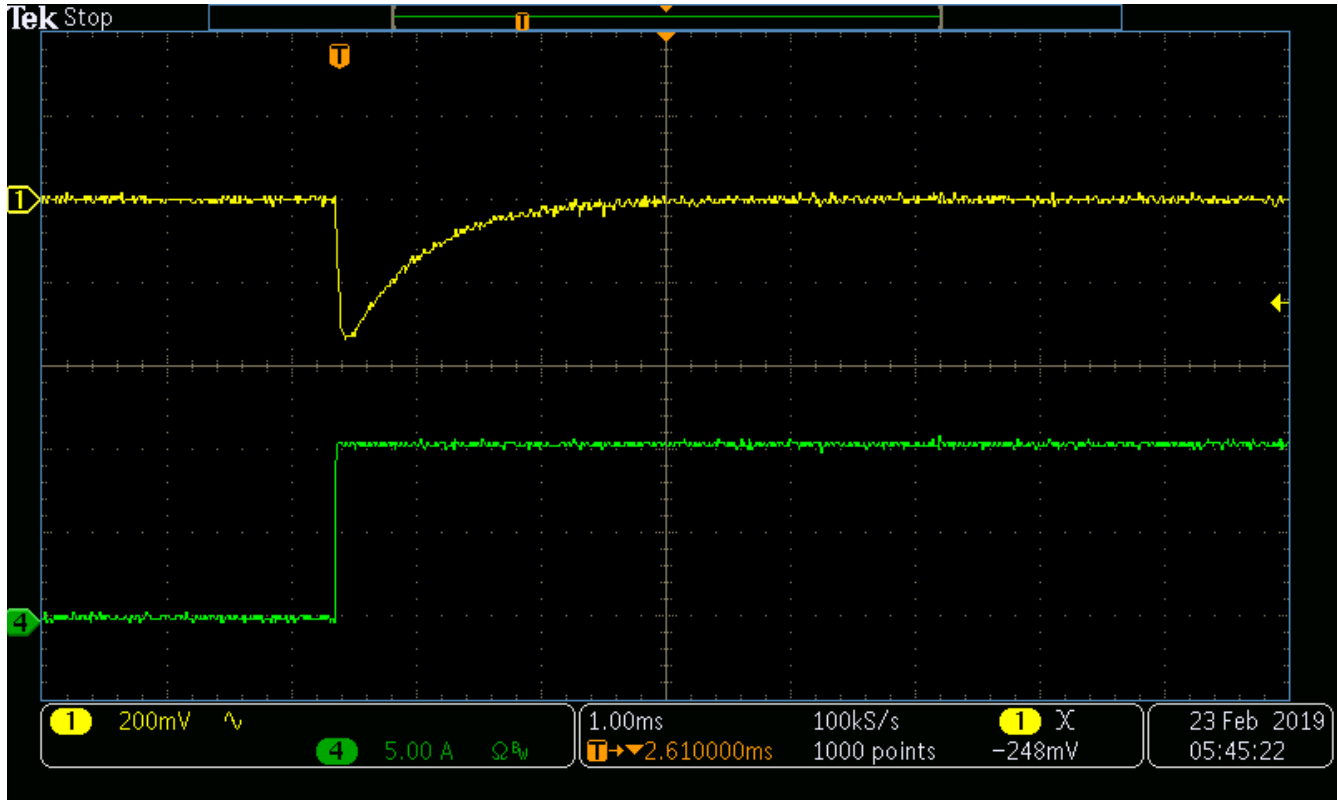


Figure 8-8. Full Output Voltage Transient With 48 V_{IN}

Full step up transient in Figure 8-8 was done with 48-V input and output current was stepped from 0 A to 10 A.

9 Power Supply Recommendations

The UC182B-SP is designed to operate from an input voltage supply range between 10 V and 30 V. This input supply should be well regulated. If the input supply is located more than few inches from the UC1825B-SP converter, additional bulk capacitance may be required in addition to the ceramic bypass capacitors. A tantalum capacitor with a value of 100 μ F is a typical choice; however, this may vary depending upon the output power being delivered.

The UC1825B-SP controller can be used to convert power efficiently using any of several standard topologies such as push-pull, forward, half-bridge, or full bridge. Design tradeoffs of cost, size, and performance narrow the field to the one that is most appropriate. For a typical application, such as in [Section 8.2](#), push-pull converter topology is highlighted.

10 Layout

10.1 Layout Guidelines

Always use a low EMI inductor with a ferrite-type closed core. Some examples would be toroid and encased E core inductors. Open core can be used if they have low EMI characteristics and are located a bit more away from the low power traces and components. Make the poles perpendicular to the PCB as well if using an open core. Stick cores usually emit the most unwanted noise.

10.1.1 Feedback Traces

Run the feedback trace as far from the inductor and noisy power traces as possible. The feedback trace should be as direct as possible and somewhat thick, which sometimes involves a trade-off, but keeping the feedback trace away from inductor EMI and other noise sources is more critical. Run the feedback trace on the side of the PCB opposite of the inductor with a ground plane separating the two.

10.1.2 Input/Output Capacitors

When using a low-value ceramic input filter capacitor, it must be located as close as possible to the VIN pin of the IC. This will eliminate as much trace inductance effects as possible and give the internal IC rail a cleaner voltage supply. Some designs require the use of a feed-forward capacitor connected from the output to the feedback pin as well, usually for stability reasons. In this case, it must also be positioned as close as possible to the IC. Using surface-mount capacitors also reduces lead length and lessens the chance of noise coupling into the effective antenna created by through-hole components.

10.1.3 Compensation Components

External compensation components for stability must also be placed close to the IC. Surface mount components are recommended here as well for the same reasons discussed for the filter capacitors. Locate the surface-mount components away from the inductor.

10.1.4 Traces and Ground Planes

Make all of the power (high current) traces as short, direct, and thick as possible. It is good practice on a standard PCB board to make the traces an absolute minimum of 15 mils (0.381 mm) per Ampere. The inductor, output capacitors, and output diode must be as close as possible to each other. This helps reduce the EMI radiated by the power traces due to the high switching currents through them. This will also reduce lead inductance and resistance as well, which in turn reduces noise spikes, ringing, and resistive losses that produce voltage errors. The grounds of the IC, input capacitors, output capacitors, and output diode (if applicable) must be connected close together directly to a ground plane. It would also be a good idea to have a ground plane on both sides of the PCB. This will reduce noise as well by reducing ground loop errors as well as by absorbing more of the EMI radiated by the inductor. For multilayer boards with more than two layers, a ground plane can be used to separate the power plane (where the power traces and components are) and the signal plane (where the feedback, compensation, and components are) for improved performance. On multilayer boards, the use of vias will be required to connect traces and different planes. It is good practice to use one standard via per 200 mA of current if the trace must conduct a significant amount of current from one plane to the other. Arrange the components so that the switching current loops curl in the same direction. Due to the way switching regulators operate, there are two power states. One state when the switch is on and one state when the switch is

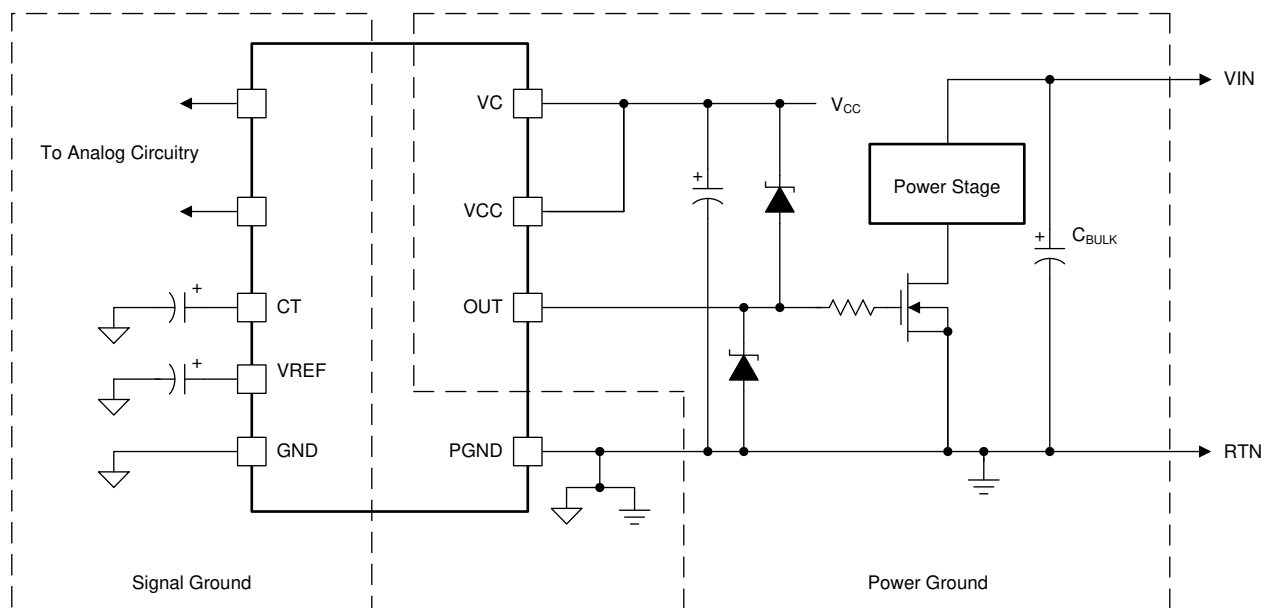
off. During each state there will be a current loop made by the power components that are currently conducting. Place the power components so that during each of the two states the current loop is conducting in the same direction. This prevents magnetic field reversal caused by the traces between the two half-cycles and reduces radiated EMI.

10.1.5 Ground Planes

Each output driver of these devices is capable of 2-A peak currents. Careful layout is essential for correct operation of the chip. A ground plane must be employed. A unique section of the ground plane must be designated for high di/dt currents associated with the output stages. This point is the power ground to which the PGND pin is connected. Power ground can be separated from the rest of the ground plane and connected at a single point, although this is not necessary if the high di/dt paths are well understood and accounted for. VCC must be bypassed directly to power ground with a good high frequency capacitor. The sources of the power MOSFET must connect to power ground as must the return connection for input power to the system and the bulk input capacitor. The output must be clamped with a high current Schottky diode to both VCC and PGND. Nothing else should be connected to power ground.

VREF must be bypassed directly to the signal portion of the ground plane with a good high frequency capacitor. TI recommends low ESR/ESL ceramic 1-mF capacitors for both VCC and VREF. All analog circuitry must likewise be bypassed to the signal ground plane. See [Figure 10-1](#).

10.2 Layout Example



UDG-95115

Figure 10-1. Ground Planes Diagram

11 Device and Documentation Support

11.1 Documentation Support

11.1.1 Related Documentation

For related documentation see the following:

- *Unitrode Application Note U-93*, [SLUA075](#)
- *Unitrode Application Note U-97*, [SLUA101](#)
- *Unitrode Application Note U-110*, [SLUA053](#)

11.2 Receiving Notification of Documentation Updates

To receive notification of documentation updates, navigate to the device product folder on [ti.com](#). Click on *Subscribe to updates* to register and receive a weekly digest of any product information that has changed. For change details, review the revision history included in any revised document.

11.3 Support Resources

[TI E2E™ support forums](#) are an engineer's go-to source for fast, verified answers and design help — straight from the experts. Search existing answers or ask your own question to get the quick design help you need.

Linked content is provided "AS IS" by the respective contributors. They do not constitute TI specifications and do not necessarily reflect TI's views; see TI's [Terms of Use](#).

11.4 Trademarks

TI E2E™ is a trademark of Texas Instruments.

All trademarks are the property of their respective owners.

11.5 Electrostatic Discharge Caution



This integrated circuit can be damaged by ESD. Texas Instruments recommends that all integrated circuits be handled with appropriate precautions. Failure to observe proper handling and installation procedures can cause damage.

ESD damage can range from subtle performance degradation to complete device failure. Precision integrated circuits may be more susceptible to damage because very small parametric changes could cause the device not to meet its published specifications.

11.6 Glossary

[TI Glossary](#) This glossary lists and explains terms, acronyms, and definitions.

12 Mechanical, Packaging, and Orderable Information

The following pages include mechanical, packaging, and orderable information. This information is the most current data available for the designated devices. This data is subject to change without notice and revision of this document. For browser-based versions of this data sheet, refer to the left-hand navigation.

PACKAGING INFORMATION

| Orderable part number | Status (1) | Material type (2) | Package Pins | Package qty Carrier | RoHS (3) | Lead finish/ Ball material (4) | MSL rating/ Peak reflow (5) | Op temp (°C) | Part marking (6) |
|---------------------------------|---------------|----------------------|-----------------|-----------------------|-------------|--------------------------------------|-----------------------------------|--------------|--------------------------------------|
| 5962R8768106V9A | Active | Production | XCEPT (KGD) 0 | 25 OTHER | Yes | Call TI | N/A for Pkg Type | -55 to 125 | |
| 5962R8768106V9A.A | Active | Production | XCEPT (KGD) 0 | 25 OTHER | Yes | Call TI | N/A for Pkg Type | -55 to 125 | |
| 5962R8768106VYC | Active | Production | CFP (HKT) 16 | 25 TUBE | ROHS Exempt | NIAU | N/A for Pkg Type | -55 to 125 | 5962R8768106VY C UC1825BHKT-SP |
| 5962R8768106VYC.A | Active | Production | CFP (HKT) 16 | 25 TUBE | ROHS Exempt | NIAU | N/A for Pkg Type | -55 to 125 | 5962R8768106VY C UC1825BHKT-SP |
| UC1825BHKT/EM | Active | Production | CFP (HKT) 16 | 25 TUBE | ROHS Exempt | NIAU | N/A for Pkg Type | 25 to 25 | UC1825BHKT/EM EVAL ONLY |
| UC1825BHKT/EM.A | Active | Production | CFP (HKT) 16 | 25 TUBE | ROHS Exempt | NIAU | N/A for Pkg Type | 25 to 25 | UC1825BHKT/EM EVAL ONLY |

(1) **Status:** For more details on status, see our [product life cycle](#).

(2) **Material type:** When designated, preproduction parts are prototypes/experimental devices, and are not yet approved or released for full production. Testing and final process, including without limitation quality assurance, reliability performance testing, and/or process qualification, may not yet be complete, and this item is subject to further changes or possible discontinuation. If available for ordering, purchases will be subject to an additional waiver at checkout, and are intended for early internal evaluation purposes only. These items are sold without warranties of any kind.

(3) **RoHS values:** Yes, No, RoHS Exempt. See the [TI RoHS Statement](#) for additional information and value definition.

(4) **Lead finish/Ball material:** Parts may have multiple material finish options. Finish options are separated by a vertical ruled line. Lead finish/Ball material values may wrap to two lines if the finish value exceeds the maximum column width.

(5) **MSL rating/Peak reflow:** The moisture sensitivity level ratings and peak solder (reflow) temperatures. In the event that a part has multiple moisture sensitivity ratings, only the lowest level per JEDEC standards is shown. Refer to the shipping label for the actual reflow temperature that will be used to mount the part to the printed circuit board.

(6) **Part marking:** There may be an additional marking, which relates to the logo, the lot trace code information, or the environmental category of the part.

Multiple part markings will be inside parentheses. Only one part marking contained in parentheses and separated by a "~" will appear on a part. If a line is indented then it is a continuation of the previous line and the two combined represent the entire part marking for that device.

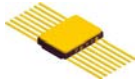
Important Information and Disclaimer: The information provided on this page represents TI's knowledge and belief as of the date that it is provided. TI bases its knowledge and belief on information provided by third parties, and makes no representation or warranty as to the accuracy of such information. Efforts are underway to better integrate information from third parties. TI has taken and continues to take reasonable steps to provide representative and accurate information but may not have conducted destructive testing or chemical analysis on incoming materials and chemicals. TI and TI suppliers consider certain information to be proprietary, and thus CAS numbers and other limited information may not be available for release.

In no event shall TI's liability arising out of such information exceed the total purchase price of the TI part(s) at issue in this document sold by TI to Customer on an annual basis.

TUBE


*All dimensions are nominal

| Device | Package Name | Package Type | Pins | SPQ | L (mm) | W (mm) | T (μm) | B (mm) |
|-------------------|--------------|--------------|------|-----|--------|--------|--------|--------|
| 5962R8768106VYC | HKT | CFP (HSL) | 16 | 25 | 506.98 | 26.16 | 6220 | NA |
| 5962R8768106VYC.A | HKT | CFP (HSL) | 16 | 25 | 506.98 | 26.16 | 6220 | NA |
| UC1825BHKT/EM | HKT | CFP (HSL) | 16 | 25 | 506.98 | 26.16 | 6220 | NA |
| UC1825BHKT/EM.A | HKT | CFP (HSL) | 16 | 25 | 506.98 | 26.16 | 6220 | NA |

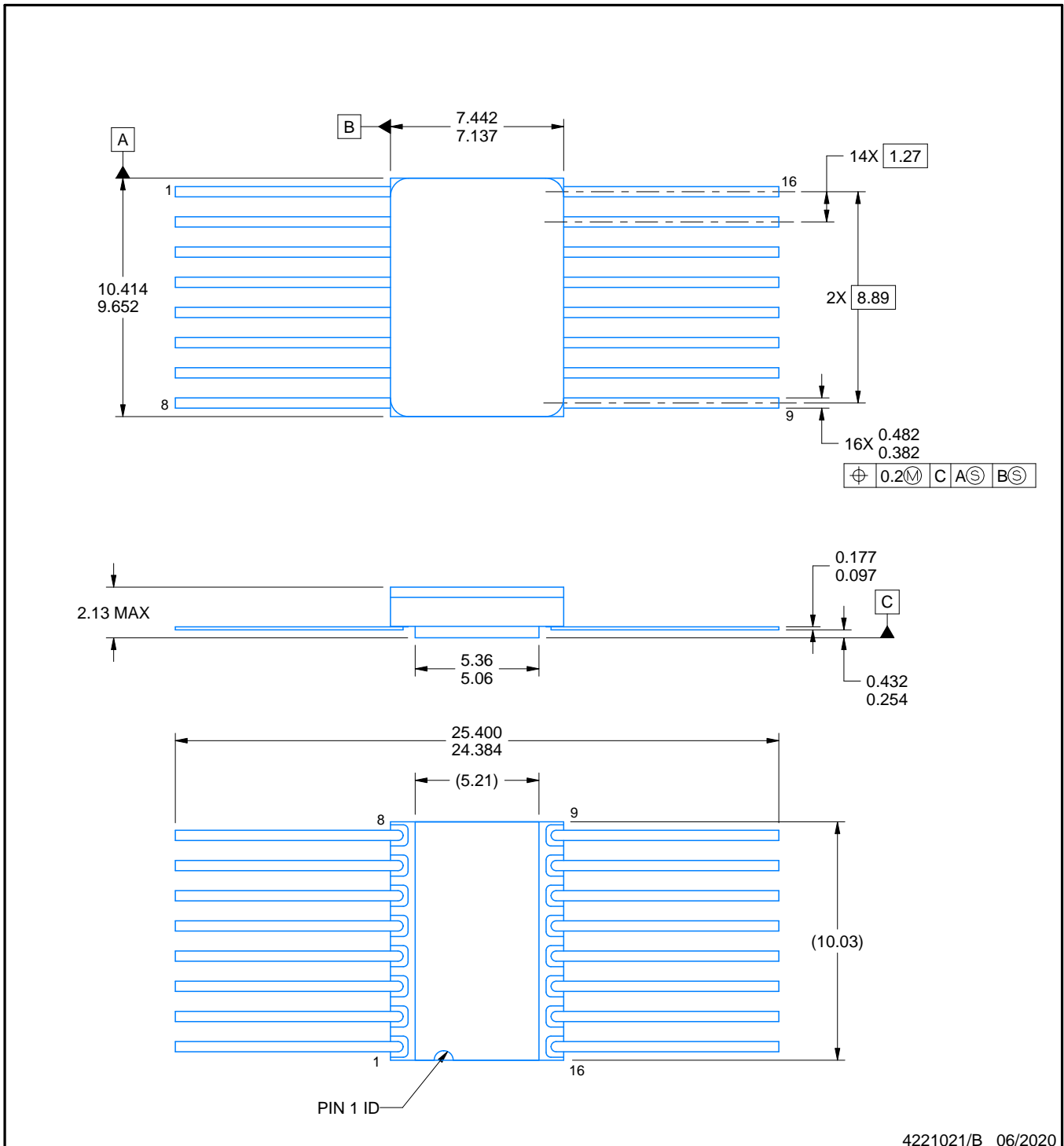


PACKAGE OUTLINE

HKT0016A

CFP - 2.13 mm max height

CERAMIC DUAL FLATPACK



4221021/B 06/2020

NOTES:

1. All linear dimensions are in millimeters. Any dimensions in parenthesis are for reference only. Dimensioning and tolerancing per ASME Y14.5M.
2. This drawing is subject to change without notice.
3. This package is hermetically sealed with a metal lid. Lid and cavity are electrically isolated
4. The terminals are gold plated.
5. Falls within MIL-STD-1835 CDFP-F11A.

IMPORTANT NOTICE AND DISCLAIMER

TI PROVIDES TECHNICAL AND RELIABILITY DATA (INCLUDING DATASHEETS), DESIGN RESOURCES (INCLUDING REFERENCE DESIGNS), APPLICATION OR OTHER DESIGN ADVICE, WEB TOOLS, SAFETY INFORMATION, AND OTHER RESOURCES "AS IS" AND WITH ALL FAULTS, AND DISCLAIMS ALL WARRANTIES, EXPRESS AND IMPLIED, INCLUDING WITHOUT LIMITATION ANY IMPLIED WARRANTIES OF MERCHANTABILITY, FITNESS FOR A PARTICULAR PURPOSE OR NON-INFRINGEMENT OF THIRD PARTY INTELLECTUAL PROPERTY RIGHTS.

These resources are intended for skilled developers designing with TI products. You are solely responsible for (1) selecting the appropriate TI products for your application, (2) designing, validating and testing your application, and (3) ensuring your application meets applicable standards, and any other safety, security, regulatory or other requirements.

These resources are subject to change without notice. TI grants you permission to use these resources only for development of an application that uses the TI products described in the resource. Other reproduction and display of these resources is prohibited. No license is granted to any other TI intellectual property right or to any third party intellectual property right. TI disclaims responsibility for, and you fully indemnify TI and its representatives against any claims, damages, costs, losses, and liabilities arising out of your use of these resources.

TI's products are provided subject to [TI's Terms of Sale](#), [TI's General Quality Guidelines](#), or other applicable terms available either on ti.com or provided in conjunction with such TI products. TI's provision of these resources does not expand or otherwise alter TI's applicable warranties or warranty disclaimers for TI products. Unless TI explicitly designates a product as custom or customer-specified, TI products are standard, catalog, general purpose devices.

TI objects to and rejects any additional or different terms you may propose.

Copyright © 2025, Texas Instruments Incorporated

Last updated 10/2025