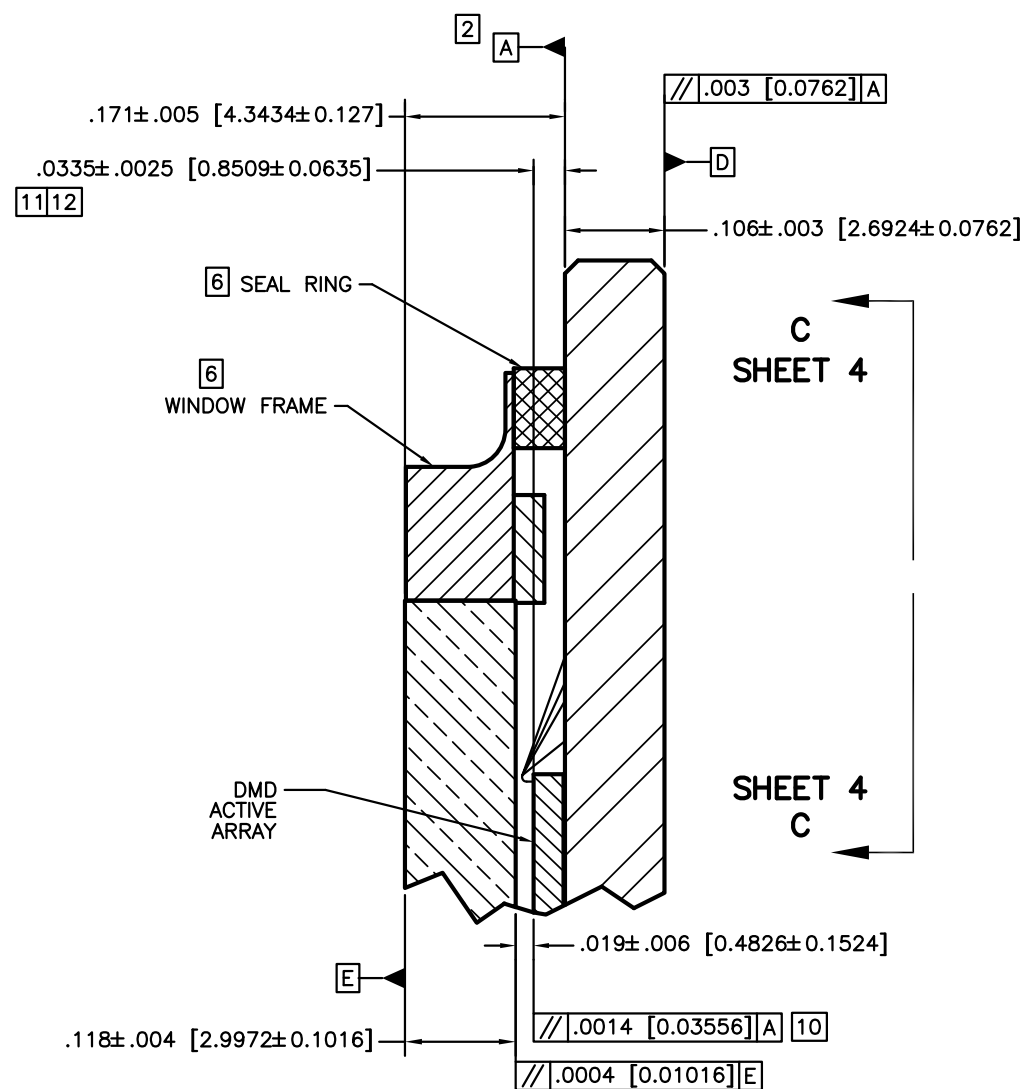
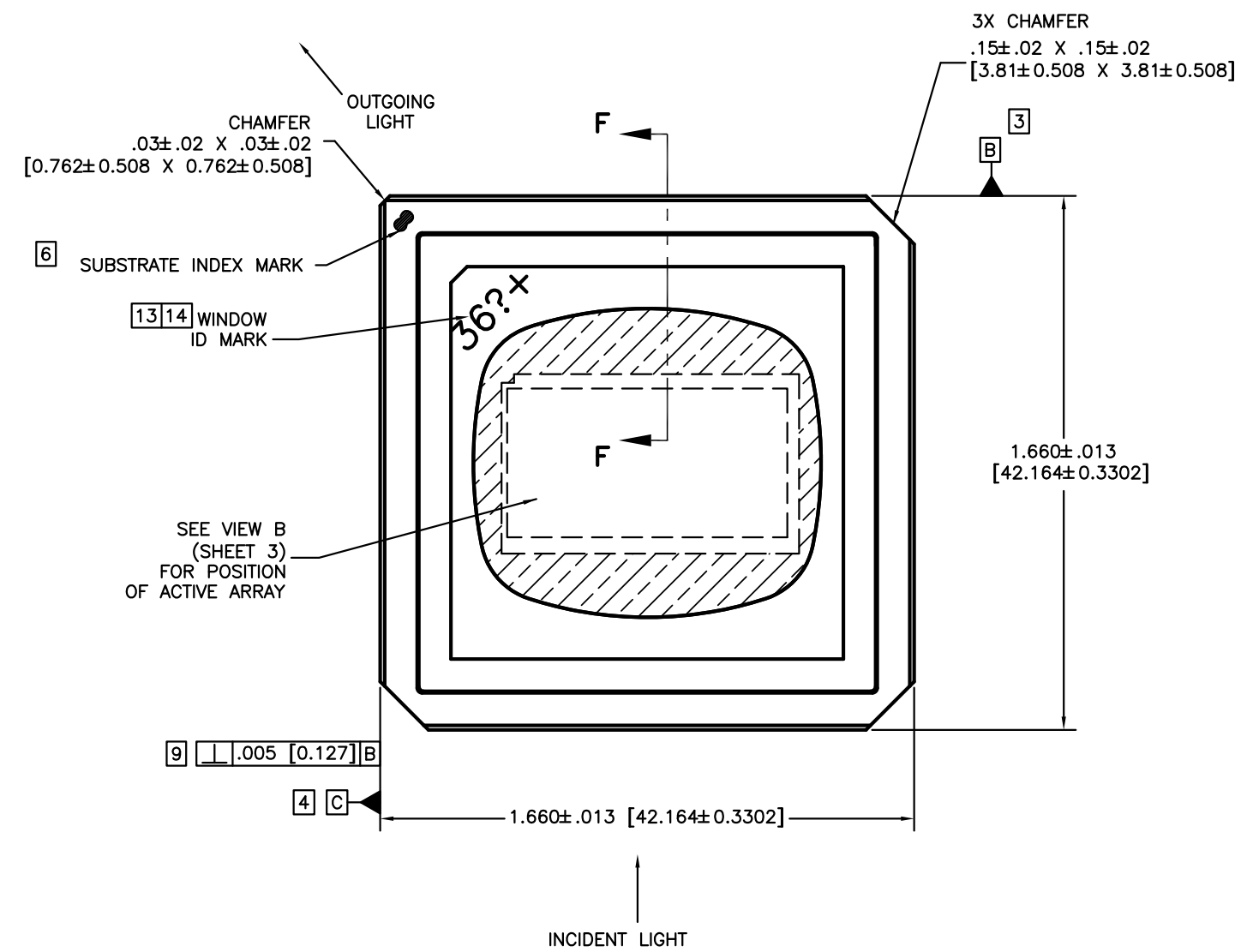


REVISIONS			
REV	DESCRIPTION	DATE	APPROVED
A	ECO 2166983, INITIAL RELEASE	6/21/2017	M. AVERY
B	ECO 2179966, DELETE NOTE 7	3/4/2019	B. HASKETT

NOTES: UNLESS OTHERWISE SPECIFIED:

- 1 INTERPRET DIMENSIONS IN ACCORDANCE WITH ASME Y14.5M-1994.
- 2 DATUM A (SYSTEM INTERFACE PLANE) ESTABLISHED BY THREE DATUM AREAS SHOWN IN VIEW A (SHEET 2).
- 3 DATUM B ESTABLISHED BY TWO DATUM AREAS SHOWN IN VIEW A (SHEET 2).
- 4 DATUM C ESTABLISHED BY DATUM AREA SHOWN IN VIEW A (SHEET 2).
- 5 LOCALIZED BACKSIDE SURFACE FLATNESS APPLIES TO ENTIRE SURFACE.
- 6 SUBSTRATE INDEX MARK, BACK INDEX PAD, SYMBOLIZATION PAD, SEAL RING, AND WINDOW FRAME TO BE ELECTRICALLY CONNECTED TO VSS PLANE IN SUBSTRATE.
- 7 (DELETED)
- 8 ROTATION ANGLE OF DMD ACTIVE ARRAY IS A REFINEMENT OF THE LOCATION TOLERANCE AND IS THE MAXIMUM VALUE ALLOWED.
- 9 SUBSTRATE EDGE PERPENDICULARITY TOLERANCE APPLIES TO ENTIRE SURFACE.
- 10 DIE PARALLELISM TOLERANCE APPLIES TO DMD ACTIVE ARRAY ONLY.
- 11 DIE HEIGHT TOLERANCE APPLIES TO CENTER OF DMD ACTIVE ARRAY ONLY.
- 12 DMD ACTIVE ARRAY ROTATION AND LOCATION DIMENSIONS ARE RELATED TO DATUM A (PRIMARY), DATUM B (SECONDARY), AND DATUM C (TERTIARY).
- 13 WINDOW SHALL BE ORIENTED SUCH THAT I.D. MARK ALIGNS WITH SUBSTRATE INDEX MARK AS SHOWN.
- 14 ? IS A WILD CARD CHARACTER AND CAN BE ANY LETTER.
- 15 SUBSTRATES PLATED WITH Ni/Pd/Au SHALL HAVE THE THREE-DIGIT NUMERICAL MARKING IN THE SYMBOLIZATION PAD, AS SHOWN. SUBSTRATES WITH Ni/Au SHALL HAVE THE SAME MARKING, BUT ROTATED RIGHTSIDE-UP.



QTY	ITEM NO	PART OR IDENTIFYING NUMBER	NOMENCLATURE OR DESCRIPTION	NOTES
-1				

PARTS LIST		DATE	APPROVED
ENGR	M. AVERY	6/21/2017	
CA	K. DICKERSON	07/10/17	
APVD	M. DORAK	07/06/17	
	S. SUSI	07/06/17	
	M. SOUCEK	07/07/17	

UNLESS OTHERWISE SPECIFIED	DIMENSIONS ARE IN INCHES (MILLIMETERS)	
TOLERANCES: ANGLES ± 1°	3 PLACE DECIMALS ± .005 [0.127]	
	2 PLACE DECIMALS ± .01 [0.254]	
REMOVE ALL BURRS AND SHARP EDGES	CONCENTRICITY MACHINED DIAMETERS .010 FIM	
DIMENSIONAL LIMITS APPLY BEFORE PROCESSING		
PARENTHEetical INFO FOR REF ONLY		
HOLE TOLERANCE	.013 ± .004	.126 ± .005
	THRU ± .001	THRU ± .001
	.125	.250
	.501 ± .008	.751 ± .010
	THRU ± .001	THRU ± .012
	.750	1.000

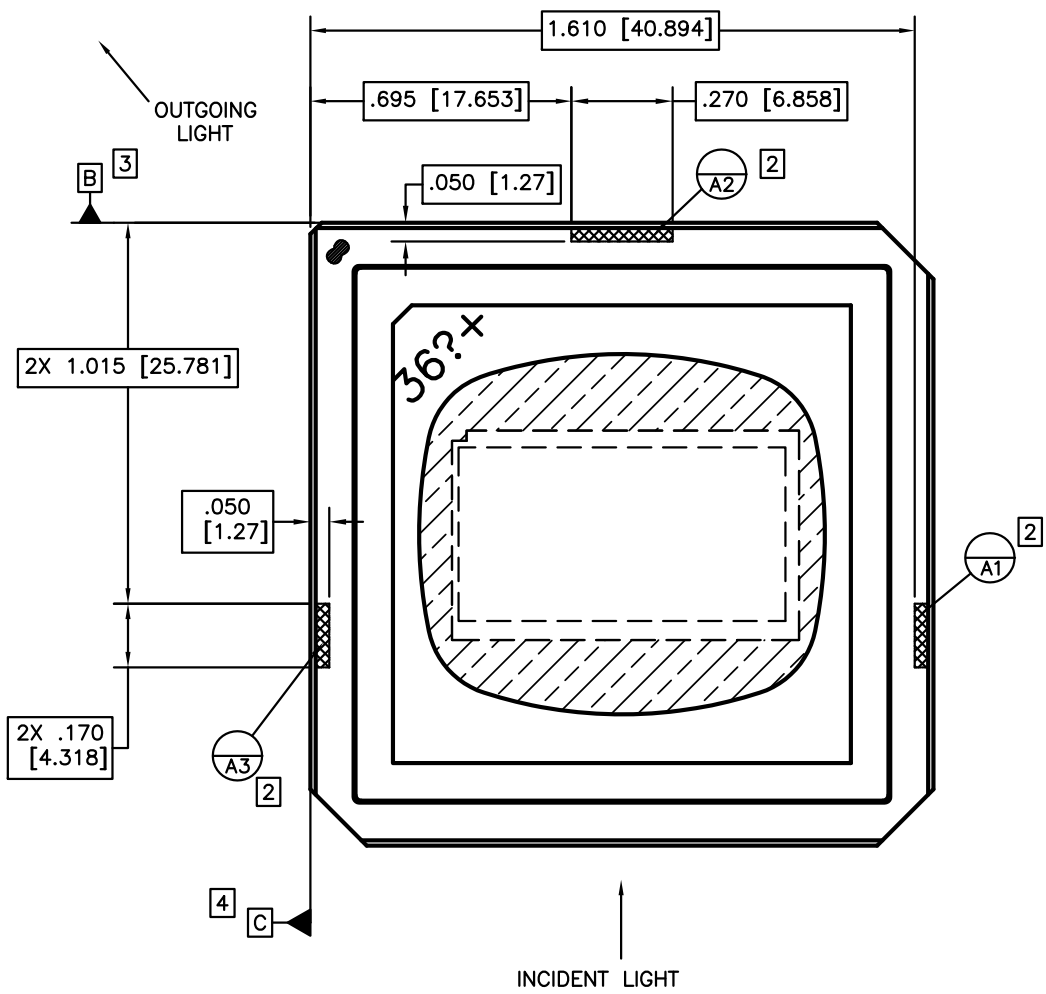
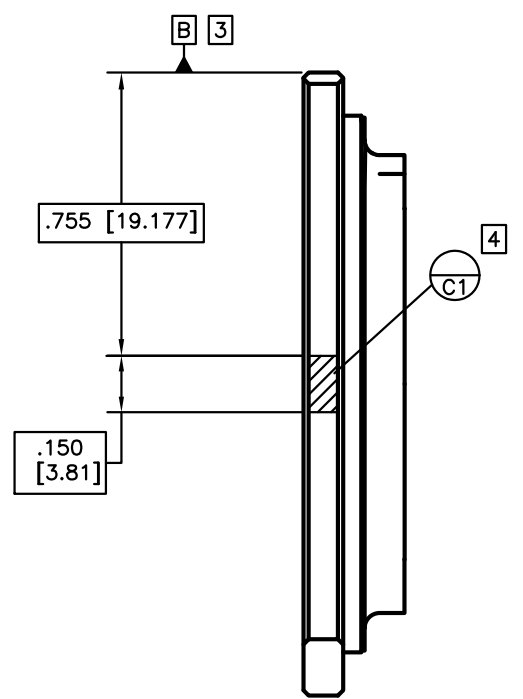
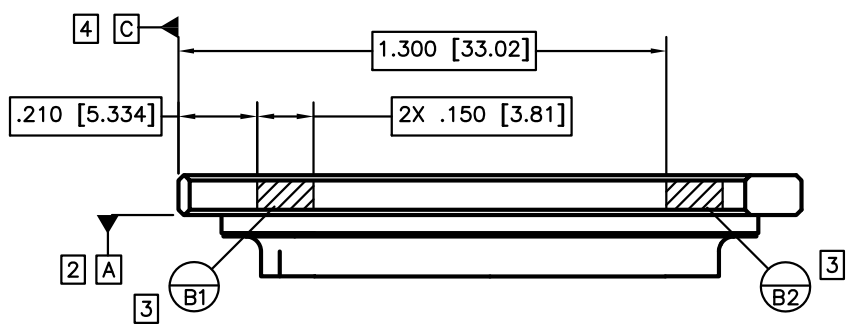
  

2515628	0314DA	SCALE 4/1
NEXT ASSY	USED ON	APPLICATION

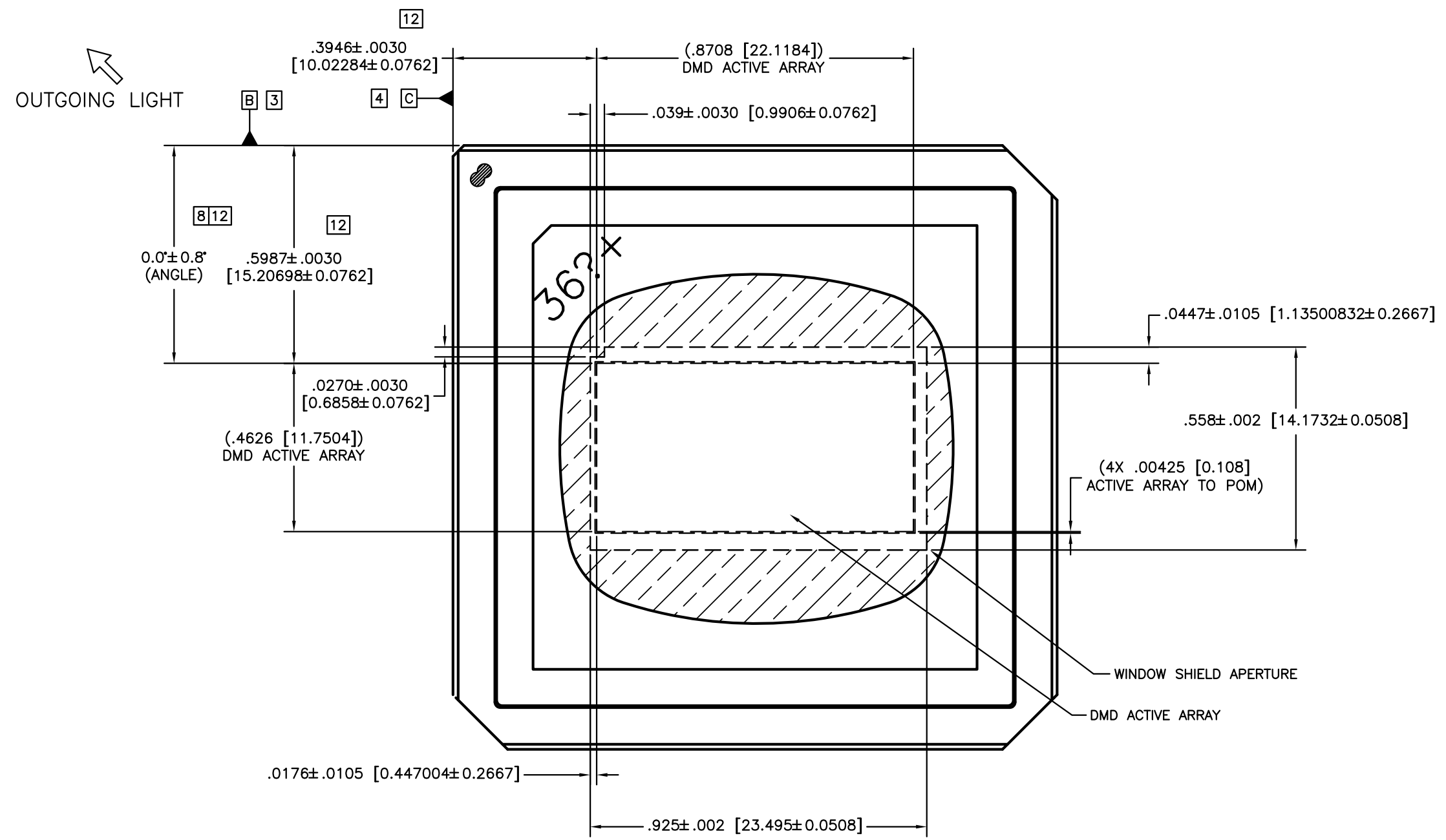


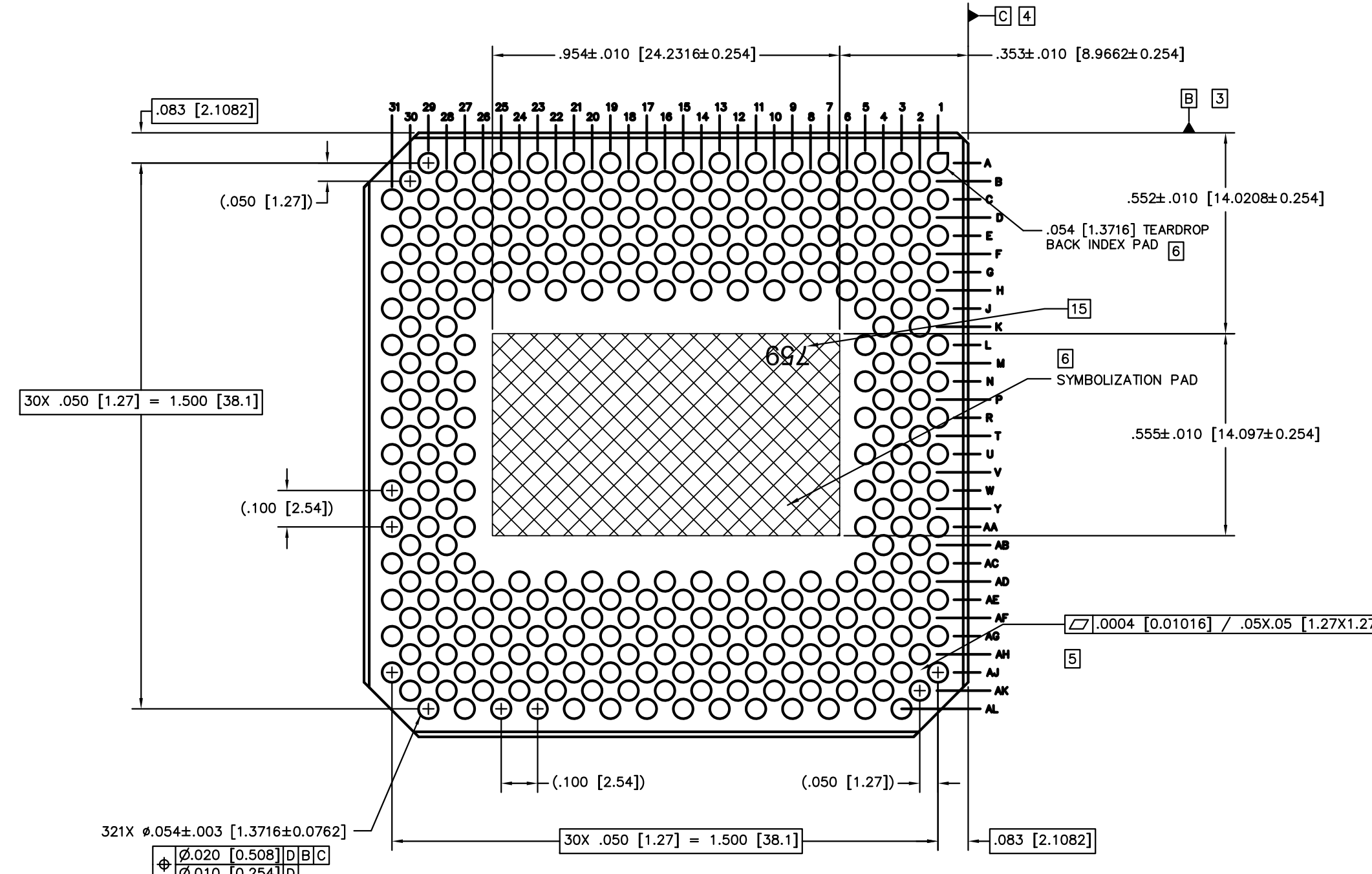
ICD, MECHANICAL, DMD  
.98" TRP 4K TYPE A  
(FLR PACKAGE)

DRAWING NO	2515629	REV	B
SCALE	4/1	SHEET	1 OF 4



VIEW A (SHEET 1 NOTES)  
DATUM A, B AND C DETAILS





VIEW C-C (SHEET 1)  
BACK PADS  
SCALE 6/1

## IMPORTANT NOTICE AND DISCLAIMER

TI PROVIDES TECHNICAL AND RELIABILITY DATA (INCLUDING DATASHEETS), DESIGN RESOURCES (INCLUDING REFERENCE DESIGNS), APPLICATION OR OTHER DESIGN ADVICE, WEB TOOLS, SAFETY INFORMATION, AND OTHER RESOURCES "AS IS" AND WITH ALL FAULTS, AND DISCLAIMS ALL WARRANTIES, EXPRESS AND IMPLIED, INCLUDING WITHOUT LIMITATION ANY IMPLIED WARRANTIES OF MERCHANTABILITY, FITNESS FOR A PARTICULAR PURPOSE OR NON-INFRINGEMENT OF THIRD PARTY INTELLECTUAL PROPERTY RIGHTS.

These resources are intended for skilled developers designing with TI products. You are solely responsible for (1) selecting the appropriate TI products for your application, (2) designing, validating and testing your application, and (3) ensuring your application meets applicable standards, and any other safety, security, or other requirements. These resources are subject to change without notice. TI grants you permission to use these resources only for development of an application that uses the TI products described in the resource. Other reproduction and display of these resources is prohibited. No license is granted to any other TI intellectual property right or to any third party intellectual property right. TI disclaims responsibility for, and you will fully indemnify TI and its representatives against, any claims, damages, costs, losses, and liabilities arising out of your use of these resources.

TI's products are provided subject to TI's Terms of Sale ([www.ti.com/legal/termsofsale.html](http://www.ti.com/legal/termsofsale.html)) or other applicable terms available either on [ti.com](http://ti.com) or provided in conjunction with such TI products. TI's provision of these resources does not expand or otherwise alter TI's applicable warranties or warranty disclaimers for TI products.

Mailing Address: Texas Instruments, Post Office Box 655303, Dallas, Texas 75265  
Copyright © 2019, Texas Instruments Incorporated