

TAS3103A EVM Quick Start

Introduction

This quick start guide is provided to assist the user in executing the initial setup steps required to use the TAS3103A evaluation module (EVM). The configuration example presents the initial steps in a stereo application using the S/PDIF input to input audio data into the TAS3103A EVM.

TAS3103A EVM Connections

The connections to the TAS3103A EVM are shown in [Figure 1](#). The jumpers that are required to configure the TAS3103A EVM for S/PDIF input are shown in red.

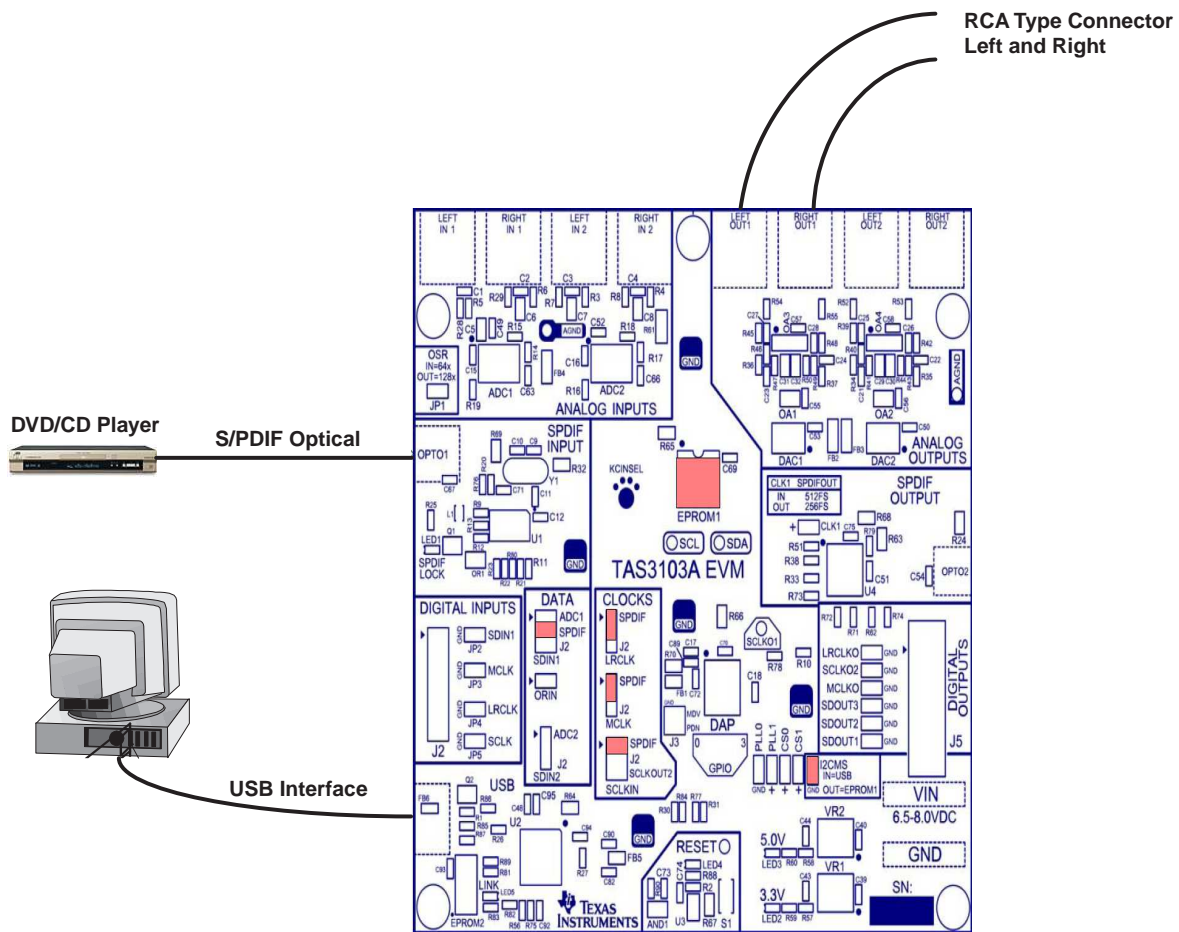


Figure 1. TAS3103A EVM Connections

To communicate with the TAS3103A EVM, a USB cable must be attached to the PC. The S/PDIF input should be supplied to the TAS3103A EVM optically through OPTO1. A separate 7-V to 8-V dc supply should be used to power the EVM through VIN and GND.

Downloading TAS3103A S/PDIF Configuration Coefficients

After making all connections to the TAS3103A EVM and setting the jumpers on the TAS3103A EVM as indicated in [Figure 1](#), apply power to the EVM. Two green LEDs (LED2 and LED3) light to indicate that 3.3-V and 5-V power are present on the board. A blue LED (LED1) lights to indicate that a valid S/PDIF input is present.

Run the supplied DAS DCT SAA program by clicking Start → Programs → Texas Instruments Inc → DAS DCT.

The panels shown in [Figure 2](#) open.

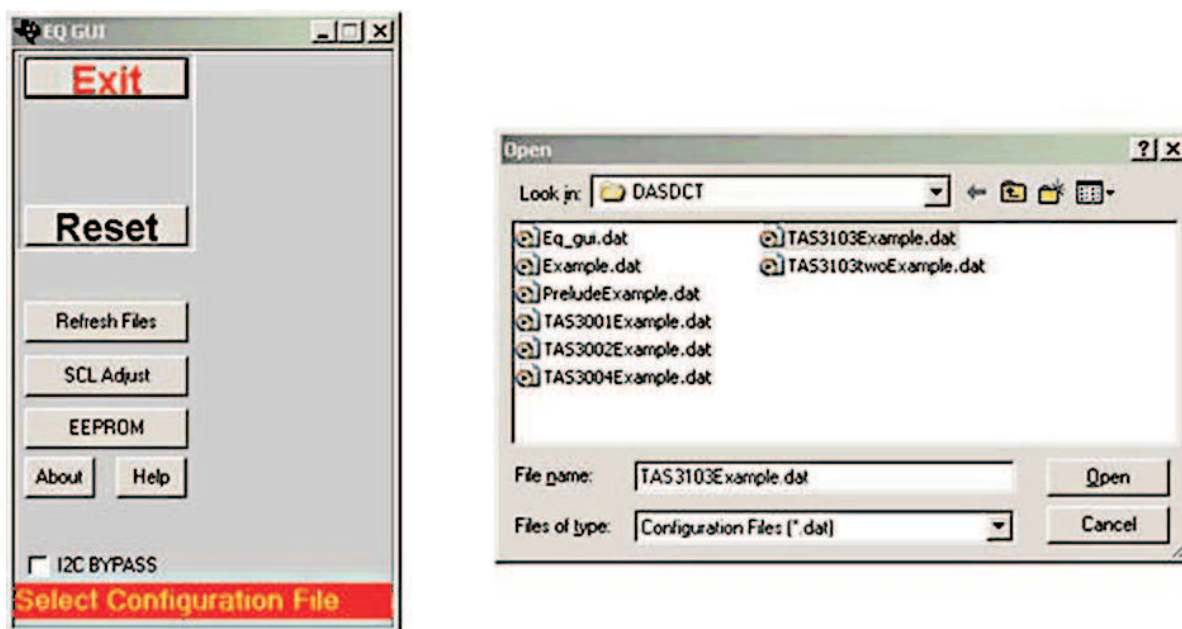


Figure 2. Initial EQ GUI Panels

Load the TAS3103Example.dat configuration file. After a time lapse, the EQ GUI panel opens, as shown in [Figure 3](#).



Figure 3. EQ GUI I²C Communication

The EQ GUI panel shown in [Figure 3](#) indicates that communication with the TAS3103A EVM was successful.

Possible reasons for I²C communication failure include:

- The TAS3103A EVM is not powered up.
- The USB cable from the user's computer to J1 on the TAS3103A EVM is not connected (or not seated properly at both ends).
- SPDIF MCLK jumper is not installed, which would cause the TAS3103A to not receive a MCLK.

If an I²C communication failure occurs, click on the Reset button after fixing the problem, and the EQ GUI panel shown in [Figure 3](#) should appear.

Downloading TAS3103A S/PDIF Configuration Coefficients

When the EQ GUI panel shown in Figure 3 is obtained, click on the Detail GUI A button. The panel entitled 1st 3100 Page 1 opens (see Figure 4).

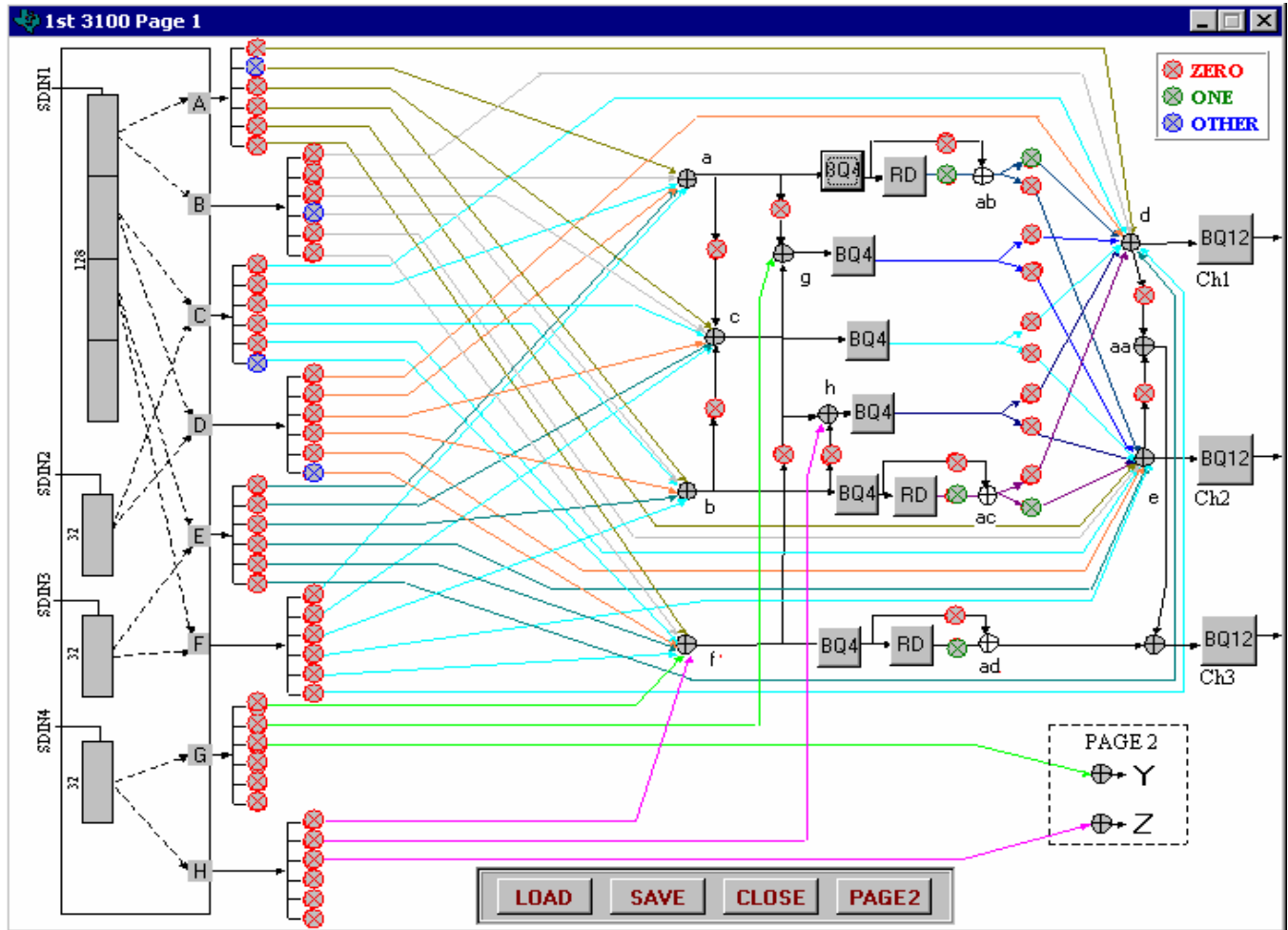


Figure 4. 1st 3100 Page 1

To load a configuration file:

1. Click the LOAD button.
The Open panel shown in [Figure 5](#) appears.
2. Select TAS3103initEVM.cfg.
3. Click the Open button.

This file sets the coefficients in TAS3103A to receive and pass through the S/PDIF audio data without any processing being applied. As indicated in [Figure 1](#), the stereo output is available on both the S/PDIF output port and on the two line-out ports, Left Out #1 and Right Out #1.

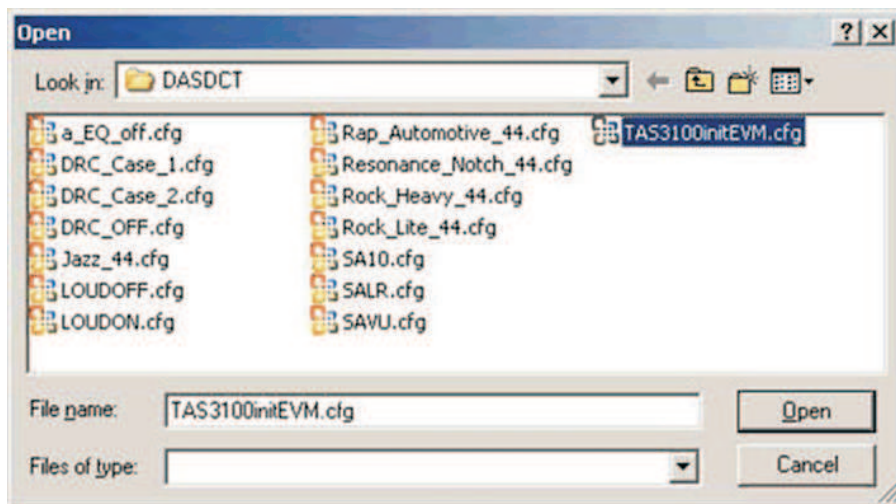


Figure 5. Select Configuration File

IMPORTANT NOTICE

Texas Instruments Incorporated and its subsidiaries (TI) reserve the right to make corrections, modifications, enhancements, improvements, and other changes to its products and services at any time and to discontinue any product or service without notice. Customers should obtain the latest relevant information before placing orders and should verify that such information is current and complete. All products are sold subject to TI's terms and conditions of sale supplied at the time of order acknowledgment.

TI warrants performance of its hardware products to the specifications applicable at the time of sale in accordance with TI's standard warranty. Testing and other quality control techniques are used to the extent TI deems necessary to support this warranty. Except where mandated by government requirements, testing of all parameters of each product is not necessarily performed.

TI assumes no liability for applications assistance or customer product design. Customers are responsible for their products and applications using TI components. To minimize the risks associated with customer products and applications, customers should provide adequate design and operating safeguards.

TI does not warrant or represent that any license, either express or implied, is granted under any TI patent right, copyright, mask work right, or other TI intellectual property right relating to any combination, machine, or process in which TI products or services are used. Information published by TI regarding third-party products or services does not constitute a license from TI to use such products or services or a warranty or endorsement thereof. Use of such information may require a license from a third party under the patents or other intellectual property of the third party, or a license from TI under the patents or other intellectual property of TI.

Reproduction of information in TI data books or data sheets is permissible only if reproduction is without alteration and is accompanied by all associated warranties, conditions, limitations, and notices. Reproduction of this information with alteration is an unfair and deceptive business practice. TI is not responsible or liable for such altered documentation.

Resale of TI products or services with statements different from or beyond the parameters stated by TI for that product or service voids all express and any implied warranties for the associated TI product or service and is an unfair and deceptive business practice. TI is not responsible or liable for any such statements.

Following are URLs where you can obtain information on other Texas Instruments products and application solutions:

Products

Amplifiers	amplifier.ti.com
Data Converters	dataconverter.ti.com
DSP	dsp.ti.com
Interface	interface.ti.com
Logic	logic.ti.com
Power Mgmt	power.ti.com
Microcontrollers	microcontroller.ti.com
Low Power Wireless	www.ti.com/lpw

Applications

Audio	www.ti.com/audio
Automotive	www.ti.com/automotive
Broadband	www.ti.com/broadband
Digital Control	www.ti.com/digitalcontrol
Military	www.ti.com/military
Optical Networking	www.ti.com/opticalnetwork
Security	www.ti.com/security
Telephony	www.ti.com/telephony
Video & Imaging	www.ti.com/video
Wireless	www.ti.com/wireless

Mailing Address: Texas Instruments
Post Office Box 655303 Dallas, Texas 75265