

TPS650860 Power Management Integrated Circuit

Fully programmable PMIC for various FPGA, processor and system applications

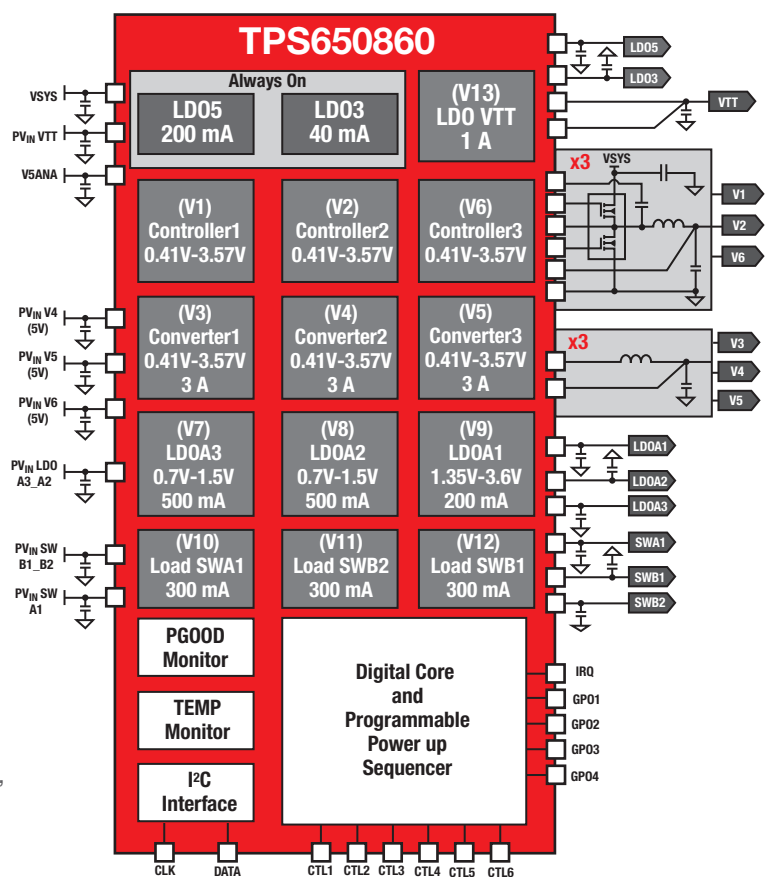


Reduce board space

TI's TPS650860 is a fully versatile and feature rich Power Management Integrated Circuit (PMIC). With assembled sets (three of each) of programmable and power efficient controllers, converters, LDOs, and load switches; this device is ideal for many different processor, FPGA, and system applications. The same design can be easily modified and utilized for next generation applications which might require different output voltages, output currents, or different power up or power down sequences. By incorporating all the essential logic to support any simple or complex power up or power down sequences, it will drastically reduce design complexity, design time, and board space. The TPS650860 also integrates much enhanced monitoring and supervisory logic for output voltages, over current, die temperature, under-voltage lockout (UVLO), and critical temperature, which simplifies board design, reduces board space, and improves system reliability.

Fully controllable

The TPS650860 uses I2C interface (with programmable device address) which supports standard mode (100 KHz), fast mode (400 KHz), and fast mode plus (1 MHz) for communication with the host. Either digital input pins (CTL1 to CTL6) or I2C interface can be used to enable/disable the voltage rails to enter or exit low power state (phase) or to enable/disable (shut down) the TPS650860. When CTL pins are used to enable the voltage regulators, any of the CTL pins can be used to enable or disable one or multiple voltage regulators in any sequence with programmable delay between them. One or two of the CTL pins can also be used to change one, multiple, or all of the output voltages automatically for the controllers, converters, or LDOs. This feature can be used to enter or exit lower power state (phase) automatically with just toggling one or two CTL pins. Due to these rich capabilities, the same design can be leveraged in multiple platforms with minimum efforts.



Key Features

- Completely programmable power up and power down sequences
- Full DVS and decay support
- Programmable power good and power fault detection for all rails
- Up to four GPOs, controlled through I2C
- Temperature monitoring (hot and critical)

Digital control

The TPS650860's IRQ and GPOs (GPO1 to GPO4) pins can be configured to provide status of the device and output rails. Outputs of all the rails are being monitored to be within their nominal output voltages. TPS650860 can be configured to automatically shut down or inform the system/host through IRQ or one of the GPO ports in case of Power Good error or device temperature. There are also status registers which can be accessed through I2C interface that can provide the live and history of Power Good signals. Three of the four GPO pins can be configured as either open drain or push poll; one is open drain only. The state of GPO pins can either be controlled by I2C, by device temperature status, by Power Good status of one, multiple, or all voltage regulators, or be used as level shifter for one of the CTL input pins.

The PMIC also has a full range of capabilities to help debug and identify the system issues related to all the rails which it provides. I2C interface provides dynamic and static (failure history) status of all the rails. I2C interface can also be used to enable and disable individual or multiple rails in order to detect and debug system issues.

Save power with dynamic voltage scaling

PMICs and controllers support a wide range of input voltage for their VSYS. Since Controllers use external FETs, they can support a wide range of output current based on their external FET size. All the controllers and converts in TPS650860 have 7 bits of VID composition and support full dynamic voltage scaling (DVS) with programmable slew rate and decay mode, which can be used to save power during normal operation or power saving phase (standby phase). The DVS steps can be set from 10-mV to 25-mV steps which are used for each of the converters or controllers independent of each other. The capability of adjusting output voltage will increase the battery life and reduce the system thermal. If one of the system's nominal operating voltages is 2.5V and can be reduced to 2.4V during normal operation, through DVS capability of this device, it will result in 4% power saving on this voltage rail. Also by using the DVS and decay feature of these rails, their output voltage can be lowered during lower power state (standby phase) of the system to save power. By using the decay feature of these rails instead of DVS it will help to save even more power by not forcing to discharge the energy stored on the output capacitors of the rails when their output voltages are lowered.

TI Worldwide Technical Support

Internet

TI Semiconductor Product Information Center Home Page
support.ti.com

TI E2E™ Community Home Page
e2e.ti.com

Product Information Centers

Americas	Phone	+1(512) 434-1560
Brazil	Phone	0800-891-2616
Mexico	Phone	0800-670-7544
	Fax	+1(972) 927-6377
	Internet/Email	support.ti.com/sc/pic/americas.htm

Europe, Middle East, and Africa

Phone	
European Free Call	00800-ASK-TEXAS (00800 275 83927)
International	+49 (0) 8161 80 2121
Russian Support	+7 (4) 95 98 10 701

Note: The European Free Call (Toll Free) number is not active in all countries. If you have technical difficulty calling the free call number, please use the international number above.

Fax	+ (49) (0) 8161 80 2045
Internet	www.ti.com/asktexas
Direct Email	asktexas@ti.com

Japan

Phone	Domestic (toll-free number)	0120-92-3326
Fax	International	+81-3-3344-5317
	Domestic	0120-81-0036
Internet/Email	International	support.ti.com/sc/pic/japan.htm
	Domestic	www.tij.co.jp/pic

Asia

Phone	Toll-Free Number
Note: Toll-free numbers may not support mobile and IP phones.	
Australia	1-800-999-084
China	800-820-8682
Hong Kong	800-96-5941
India	000-800-100-8888
Indonesia	001-803-8861-1006
Korea	080-551-2804
Malaysia	1-800-80-3973
New Zealand	0800-446-934
Philippines	1-800-765-7404
Singapore	800-886-1028
Taiwan	0800-006800
Thailand	001-800-886-0010
International	+86-21-23073444
Fax	+86-21-23073686
Email	tiasia@ti.com or ti-china@ti.com
Internet	support.ti.com/sc/pic/asia.htm

www.ti.com/TPS650860

Important Notice: The products and services of Texas Instruments Incorporated and its subsidiaries described herein are sold subject to TI's standard terms and conditions of sale. Customers are advised to obtain the most current and complete information about TI products and services before placing orders. TI assumes no liability for applications assistance, customer's applications or product designs, software performance, or infringement of patents. The publication of information regarding any other company's products or services does not constitute TI's approval, warranty or endorsement thereof.

The platform bar is a trademarks of Texas Instruments.
All other trademarks are the property of their respective owners.

8021015

IMPORTANT NOTICE

Texas Instruments Incorporated and its subsidiaries (TI) reserve the right to make corrections, enhancements, improvements and other changes to its semiconductor products and services per JESD46, latest issue, and to discontinue any product or service per JESD48, latest issue. Buyers should obtain the latest relevant information before placing orders and should verify that such information is current and complete. All semiconductor products (also referred to herein as "components") are sold subject to TI's terms and conditions of sale supplied at the time of order acknowledgment.

TI warrants performance of its components to the specifications applicable at the time of sale, in accordance with the warranty in TI's terms and conditions of sale of semiconductor products. Testing and other quality control techniques are used to the extent TI deems necessary to support this warranty. Except where mandated by applicable law, testing of all parameters of each component is not necessarily performed.

TI assumes no liability for applications assistance or the design of Buyers' products. Buyers are responsible for their products and applications using TI components. To minimize the risks associated with Buyers' products and applications, Buyers should provide adequate design and operating safeguards.

TI does not warrant or represent that any license, either express or implied, is granted under any patent right, copyright, mask work right, or other intellectual property right relating to any combination, machine, or process in which TI components or services are used. Information published by TI regarding third-party products or services does not constitute a license to use such products or services or a warranty or endorsement thereof. Use of such information may require a license from a third party under the patents or other intellectual property of the third party, or a license from TI under the patents or other intellectual property of TI.

Reproduction of significant portions of TI information in TI data books or data sheets is permissible only if reproduction is without alteration and is accompanied by all associated warranties, conditions, limitations, and notices. TI is not responsible or liable for such altered documentation. Information of third parties may be subject to additional restrictions.

Resale of TI components or services with statements different from or beyond the parameters stated by TI for that component or service voids all express and any implied warranties for the associated TI component or service and is an unfair and deceptive business practice. TI is not responsible or liable for any such statements.

Buyer acknowledges and agrees that it is solely responsible for compliance with all legal, regulatory and safety-related requirements concerning its products, and any use of TI components in its applications, notwithstanding any applications-related information or support that may be provided by TI. Buyer represents and agrees that it has all the necessary expertise to create and implement safeguards which anticipate dangerous consequences of failures, monitor failures and their consequences, lessen the likelihood of failures that might cause harm and take appropriate remedial actions. Buyer will fully indemnify TI and its representatives against any damages arising out of the use of any TI components in safety-critical applications.

In some cases, TI components may be promoted specifically to facilitate safety-related applications. With such components, TI's goal is to help enable customers to design and create their own end-product solutions that meet applicable functional safety standards and requirements. Nonetheless, such components are subject to these terms.

No TI components are authorized for use in FDA Class III (or similar life-critical medical equipment) unless authorized officers of the parties have executed a special agreement specifically governing such use.

Only those TI components which TI has specifically designated as military grade or "enhanced plastic" are designed and intended for use in military/aerospace applications or environments. Buyer acknowledges and agrees that any military or aerospace use of TI components which have **not** been so designated is solely at the Buyer's risk, and that Buyer is solely responsible for compliance with all legal and regulatory requirements in connection with such use.

TI has specifically designated certain components as meeting ISO/TS16949 requirements, mainly for automotive use. In any case of use of non-designated products, TI will not be responsible for any failure to meet ISO/TS16949.

Products

Audio	www.ti.com/audio
Amplifiers	amplifier.ti.com
Data Converters	dataconverter.ti.com
DLP® Products	www.dlp.com
DSP	dsp.ti.com
Clocks and Timers	www.ti.com/clocks
Interface	interface.ti.com
Logic	logic.ti.com
Power Mgmt	power.ti.com
Microcontrollers	microcontroller.ti.com
RFID	www.ti-rfid.com
OMAP Applications Processors	www.ti.com/omap
Wireless Connectivity	www.ti.com/wirelessconnectivity

Applications

Automotive and Transportation	www.ti.com/automotive
Communications and Telecom	www.ti.com/communications
Computers and Peripherals	www.ti.com/computers
Consumer Electronics	www.ti.com/consumer-apps
Energy and Lighting	www.ti.com/energy
Industrial	www.ti.com/industrial
Medical	www.ti.com/medical
Security	www.ti.com/security
Space, Avionics and Defense	www.ti.com/space-avionics-defense
Video and Imaging	www.ti.com/video

TI E2E Community

e2e.ti.com