

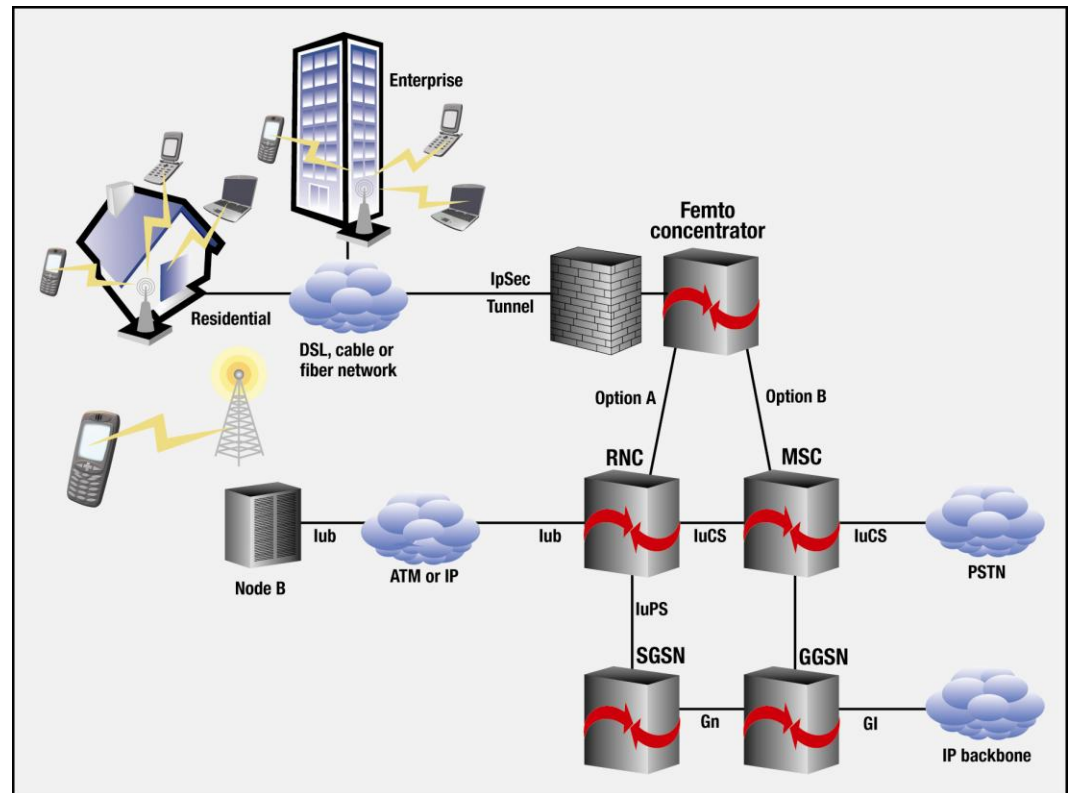
# Complete family of DSP solutions for residential and enterprise femtocell market

Kathy Brown  
General Manager  
Wireless Basestation Infrastructure

# Enterprise and residential femtocell networks are evolutionary step for 3G/4G wireless technology

## Why femto?

- Improved coverage
- More consistent user experience than what is typically available with the macro network
- Improved wireless data rates
- Reduced transport network costs
- Reduced congestion in locations with exceptionally high network capacity requirements
- Ability to deliver advanced services
- Provides deep in-building broadband wireless services more economically than macro cellular network



# New solutions for the femtocell market

## New TCI6485 residential femtocell solution:



- 850MHz dual-core C64x+ DSP
- 8 UEs
- HSDPA up to 15 Mbits/s
- HSUPA up to 5.7 Mbit/s
- Cell size < 100m
- L3/ L2/ L1 functionality

## New TCI6489 enterprise femtocell solution:



- 850MHz three core C64x+ DSP
- 32 UEs
- HSDPA up to 15 Mbits/s
- HSUPA up to 5.7 Mbit/s
- Cell size 200m
- L3/ L2/ L1 functionality

**TCI648x is compatible with all major 2G/3G and 4G systems including GSM, CDMA, WCDMA, TD-SCDMA, WiMAX and LTE**

## Suite of Analog components

Complete end to end analog to digital hardware solution for all femtocell base station derivatives in all frequency ranges, bandwidth and capability



## WCDMA/HSPA Software



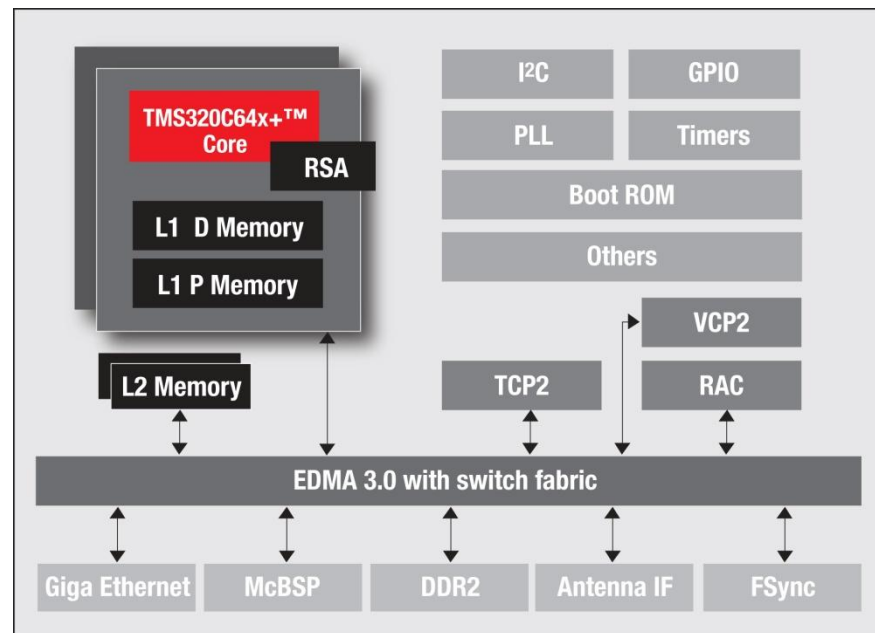
- Fully operational and tested layers 1, 2 & 3 femtocell software stacks from leading wireless software suppliers.
- Modular, high level language software for ease in porting, customization and feature growth.

# TCI6485 and TCI6489 – DSP platforms optimized for femtocell products

## Key Features and Benefits

- Customized set of memory, peripheral, accelerator, core and performance features makes it the ideal processor for femtocell applications
- Single device for PHY and MAC processing reduces overall BOM
- TCI6489 (enterprise) has three 850 MHz C64x+ DSP cores
  - Four lanes of Antenna Interface (CPRI/ OBSAI) to connect to analog front end
  - 3MB of L2 memory and focused accelerators such as RAC (Receiver Accelerator Coprocessor used in UMTS), VCP2 (Viterbi Coprocessor) and TCP2 (Turbo Coprocessor) help reduce load on DSP
- TCI6485 (residential) has two 850MHz C64x+ DSP cores
  - One core is dedicated for higher layer (MAC) processing and second core is focused on Layer 1 (PHY) processing
  - Two lanes of Antenna Interface (CPRI/OBSAI) for analog RF connectivity, 2MB of L2 memory and focused accelerators such as RAC, VCP2 and TCP2 help reduce load on DSP

## TCI6485/TCI6489 Block Diagram



\*TCI6489 has an additional 850 MHz C64x+ DSP core and an additional 1MB of L2 memory

# Third party partners speed time-to-market and allow for increased development flexibility

The logo for MIMOON features the word "MIMOON" in a blue, sans-serif font. The letter "O" is stylized as a green and yellow circular graphic with concentric rings.

- mimoON will provide Layer 1 (PHY) as defined in Release 6 of the 3GPP specification with migration path to R7 and R8
- Leverages TI WCDMA functional libraries and on-chip accelerators for optimal performance
- Provided in high level language, modular form for customization and standards expansion
- Includes multiple MIMO configurations

The logo for Continuous Computing features a white cube icon on a dark blue background, followed by the text "Continuous Computing" in white.

- Continuous Computing will provide comprehensive protocol stack for Layer 2 & Layer 3
- Fully portable solution allows OEM to take advantage of new higher speeds
- Optimized data and control plane performance aligned with HSPA, HSPA+ and LTE latency and throughput requirements
- Easy migration path from HSPA/HSPA+ to LTE

**TI's longstanding incumbency in wireless infrastructure combined with robust DSP solutions developed for femto market allows OEMs to develop products for this emerging market with confidence.**

**Kathy Brown**

**General Manager, Wireless Basestation Infrastructure**

**High-Performance & Multicore Processing Group**

**[kbrown@ti.com](mailto:kbrown@ti.com)**

**SPRT526A**

## IMPORTANT NOTICE

Texas Instruments Incorporated and its subsidiaries (TI) reserve the right to make corrections, modifications, enhancements, improvements, and other changes to its products and services at any time and to discontinue any product or service without notice. Customers should obtain the latest relevant information before placing orders and should verify that such information is current and complete. All products are sold subject to TI's terms and conditions of sale supplied at the time of order acknowledgment.

TI warrants performance of its hardware products to the specifications applicable at the time of sale in accordance with TI's standard warranty. Testing and other quality control techniques are used to the extent TI deems necessary to support this warranty. Except where mandated by government requirements, testing of all parameters of each product is not necessarily performed.

TI assumes no liability for applications assistance or customer product design. Customers are responsible for their products and applications using TI components. To minimize the risks associated with customer products and applications, customers should provide adequate design and operating safeguards.

TI does not warrant or represent that any license, either express or implied, is granted under any TI patent right, copyright, mask work right, or other TI intellectual property right relating to any combination, machine, or process in which TI products or services are used. Information published by TI regarding third-party products or services does not constitute a license from TI to use such products or services or a warranty or endorsement thereof. Use of such information may require a license from a third party under the patents or other intellectual property of the third party, or a license from TI under the patents or other intellectual property of TI.

Reproduction of TI information in TI data books or data sheets is permissible only if reproduction is without alteration and is accompanied by all associated warranties, conditions, limitations, and notices. Reproduction of this information with alteration is an unfair and deceptive business practice. TI is not responsible or liable for such altered documentation. Information of third parties may be subject to additional restrictions.

Resale of TI products or services with statements different from or beyond the parameters stated by TI for that product or service voids all express and any implied warranties for the associated TI product or service and is an unfair and deceptive business practice. TI is not responsible or liable for any such statements.

TI products are not authorized for use in safety-critical applications (such as life support) where a failure of the TI product would reasonably be expected to cause severe personal injury or death, unless officers of the parties have executed an agreement specifically governing such use. Buyers represent that they have all necessary expertise in the safety and regulatory ramifications of their applications, and acknowledge and agree that they are solely responsible for all legal, regulatory and safety-related requirements concerning their products and any use of TI products in such safety-critical applications, notwithstanding any applications-related information or support that may be provided by TI. Further, Buyers must fully indemnify TI and its representatives against any damages arising out of the use of TI products in such safety-critical applications.

TI products are neither designed nor intended for use in military/aerospace applications or environments unless the TI products are specifically designated by TI as military-grade or "enhanced plastic." Only products designated by TI as military-grade meet military specifications. Buyers acknowledge and agree that any such use of TI products which TI has not designated as military-grade is solely at the Buyer's risk, and that they are solely responsible for compliance with all legal and regulatory requirements in connection with such use.

TI products are neither designed nor intended for use in automotive applications or environments unless the specific TI products are designated by TI as compliant with ISO/TS 16949 requirements. Buyers acknowledge and agree that, if they use any non-designated products in automotive applications, TI will not be responsible for any failure to meet such requirements.

Following are URLs where you can obtain information on other Texas Instruments products and application solutions:

### Products

Amplifiers	<a href="http://amplifier.ti.com">amplifier.ti.com</a>
Data Converters	<a href="http://dataconverter.ti.com">dataconverter.ti.com</a>
DLP® Products	<a href="http://www.dlp.com">www.dlp.com</a>
DSP	<a href="http://dsp.ti.com">dsp.ti.com</a>
Clocks and Timers	<a href="http://www.ti.com/clocks">www.ti.com/clocks</a>
Interface	<a href="http://interface.ti.com">interface.ti.com</a>
Logic	<a href="http://logic.ti.com">logic.ti.com</a>
Power Mgmt	<a href="http://power.ti.com">power.ti.com</a>
Microcontrollers	<a href="http://microcontroller.ti.com">microcontroller.ti.com</a>
RFID	<a href="http://www.ti-rfid.com">www.ti-rfid.com</a>
RF/IF and ZigBee® Solutions	<a href="http://www.ti.com/lprf">www.ti.com/lprf</a>

### Applications

Audio	<a href="http://www.ti.com/audio">www.ti.com/audio</a>
Automotive	<a href="http://www.ti.com/automotive">www.ti.com/automotive</a>
Broadband	<a href="http://www.ti.com/broadband">www.ti.com/broadband</a>
Digital Control	<a href="http://www.ti.com/digitalcontrol">www.ti.com/digitalcontrol</a>
Medical	<a href="http://www.ti.com/medical">www.ti.com/medical</a>
Military	<a href="http://www.ti.com/military">www.ti.com/military</a>
Optical Networking	<a href="http://www.ti.com/opticalnetwork">www.ti.com/opticalnetwork</a>
Security	<a href="http://www.ti.com/security">www.ti.com/security</a>
Telephony	<a href="http://www.ti.com/telephony">www.ti.com/telephony</a>
Video & Imaging	<a href="http://www.ti.com/video">www.ti.com/video</a>
Wireless	<a href="http://www.ti.com/wireless">www.ti.com/wireless</a>

Mailing Address: Texas Instruments, Post Office Box 655303, Dallas, Texas 75265  
Copyright © 2009, Texas Instruments Incorporated