

CC400

RF Transceiver

The CC400 is a high performance, single-chip FSK RF transceiver mainly intended for the 315 MHz and 433 MHz ISM/SRD bands. Its high receiver sensitivity (-112 dBm) and superior output power (+14 dBm) enable a very long communication range.

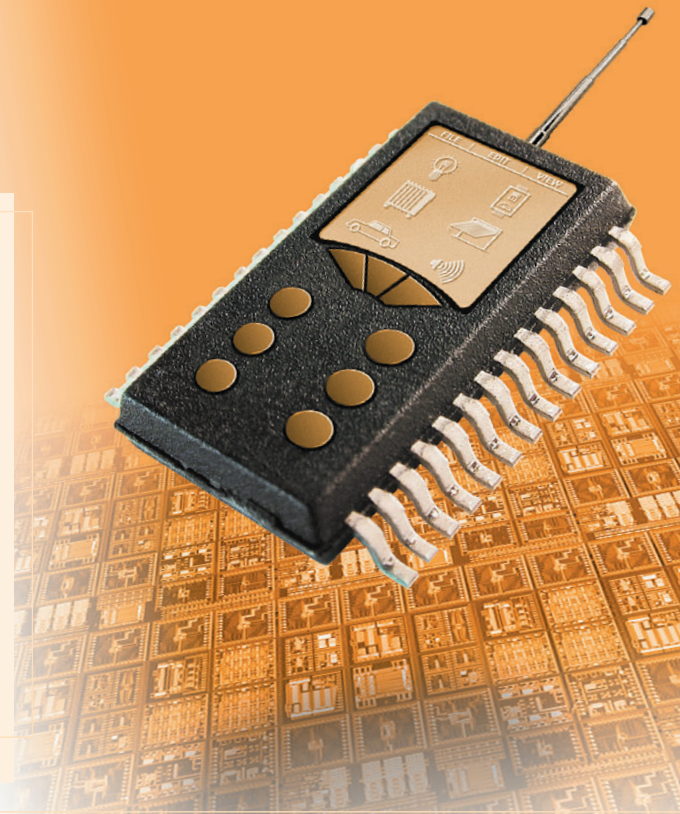
A high performance RF solution

Very few, if any, single-chip RF transceivers offer radio parameters comparable to the CC400. With uncompromised focus on receiver sensitivity, output power and flexibility, the CC400 is designed for use in applications with the most stringent requirements.

The transmitter, receiver, oscillator and control interface are totally integrated in a single-chip solution. Only a crystal and a few external passive components are required to build a high-performance and cost-effective radio system. A communication range exceeding 2000 m can be reached with 10 dBm output power. The CC400 has a programmable carrier frequency and can be used at any frequency between 300 MHz and 500 MHz. The built-in, active power-down modes combined with a standby current as low as 0.2 μ A significantly extend battery life.

Great flexibility and communication security

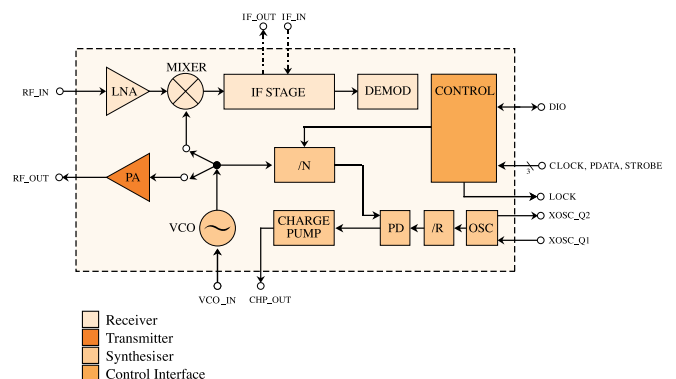
Virtually all radio parameters of the CC400 are programmable. The carrier frequency, frequency deviation, intermediate frequency, output power and much more can be easily programmed through a three-bit serial interface. The flexibility of the CC400 makes it ideal for a wide variety of applications. The Frequency Hopping Spread Spectrum (FHSS) option, together with other features that improve communication security, makes the CC400



especially suited for critical applications such as wireless alarms and security systems.

All you need to get started..... and finished

The CC400 Development Kit makes it very easy to evaluate the performance of the CC400 chip, and in a short time, designers can develop their own RF modules based on this reference design. The SmartRF® Studio software package which is included, provides the flexibility needed to automatically generate configuration data used by the microcontroller.



Block diagram

Based on Chipcon's proprietary SmartRF® technology, the Chipcon RF-ICs offer the market's most competitive solutions to meet the stringent demands of today's wireless communication.

CC400

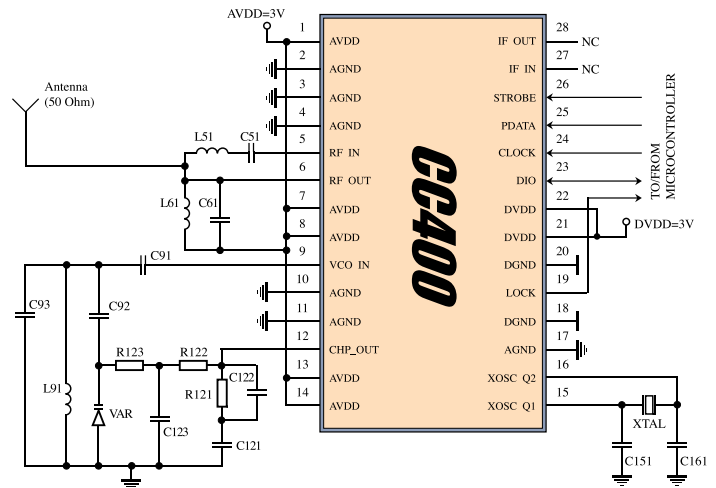
SmartRF® - Connecting Smarter

Features

- Single-chip RF transceiver
- Programmable frequency (300-500 MHz)
- Few external components required
- FSK modulation
- Low supply voltage (2.7 – 3.3 V)
- Very high receiver sensitivity (-112 dBm)
- Programmable output power ranging from -5 to 14 dBm
- Programmable frequency in 250 Hz steps
- Crystal temperature drift compensation possible without use of external TCXO
- Suitable for multi channel systems and frequency hopping protocols
- No external RF switch or IF filter required
- Single-port antenna connection
- Suitable for both narrow- and wide-band systems
- Small 28 pins SSOP package
- Complies with EN 300 220 and FCC CFR 47, part 15

Applications

- Remote keyless entry
- Wireless alarm & security systems
- Home automation
- Automatic meter reading
- 315/433 MHz SRD band systems



Application circuit: Very few external components required

Specifications	Min	Typ (315 / 433 MHz)	Max	Unit
General: RF Frequency Range	300		500	MHz
Data Rate	0.3		9.6	kbit/s
TX Mode: Output Power (programmable)	-5		14	dBm
FSK Separation (programmable)	1		200	kHz
RX Mode: Receiver Sensitivity		-112		dBm
Power Supply: Supply Voltage	2.7		3.3	V
Current Consumption, RX:		18		mA
Current Consumption, TX, 0 dBm		29		mA
Current Consumption, TX, 10 dBm		50		mA
Current Consumption, TX, 13 dBm		62		mA
Current Consumption, TX, 14 dBm		69		mA
Current Consumption, power down		0.2	1	µA



Gaustadalléen 21, NO-0349 Oslo, Norway. Tel: +47 22 95 85 44, fax: +47 22 95 85 46. E-mail: wireless@chipcon.com

SmartRF® 01 - Product Line