



Module 1

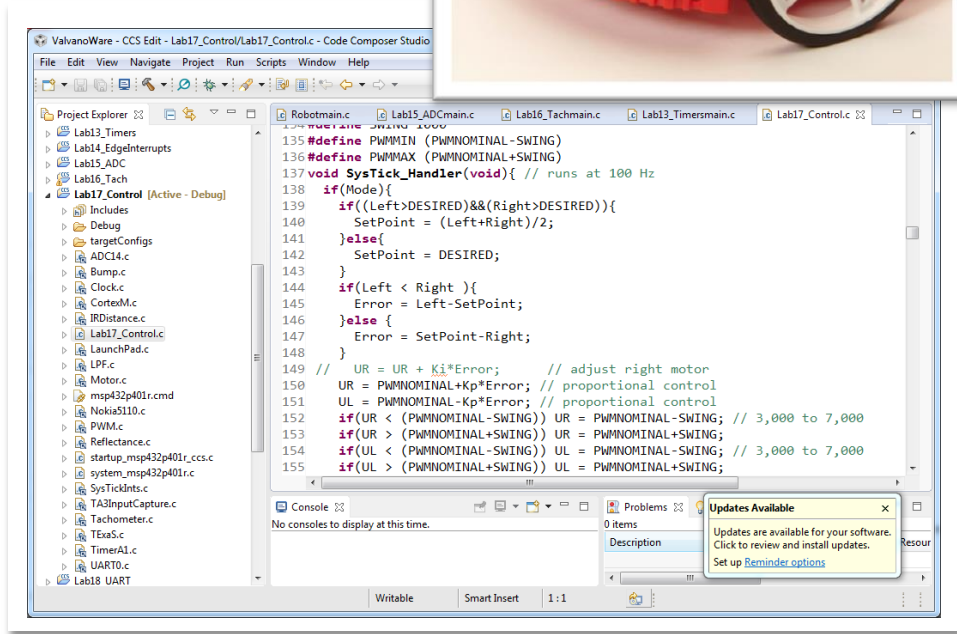
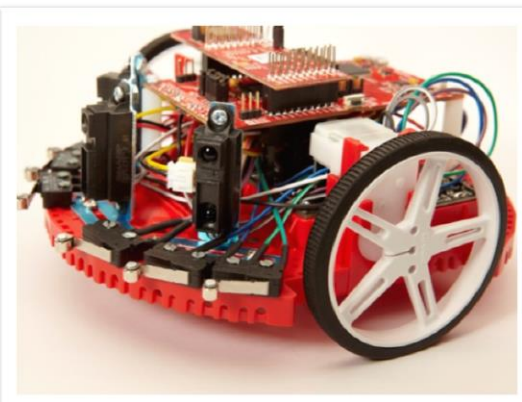
Lecture: Running Code on the LaunchPad using CCS



Running Code on the LaunchPad using CCS

You will learn in this module

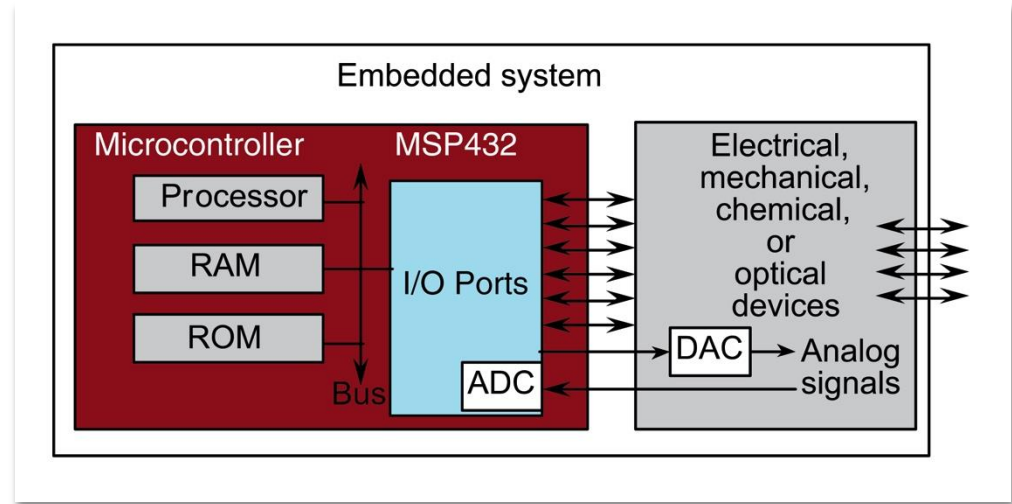
- Introduction to Embedded Systems
- Code Composer Studio
 - Software installation
 - Compile-link-download-debug
- TI Robotics Systems Learning Kit
 - Software installation
 - Documentation
 - Resources





What is an Embedded System?

- Includes a microcomputer like the MSP432
- Configured to perform a specific dedicated application
- Software programmed into ROM
- Software that is not accessible to the user of the device
- Software that solves only a limited range of problems
- Its microcomputer embedded or hidden inside

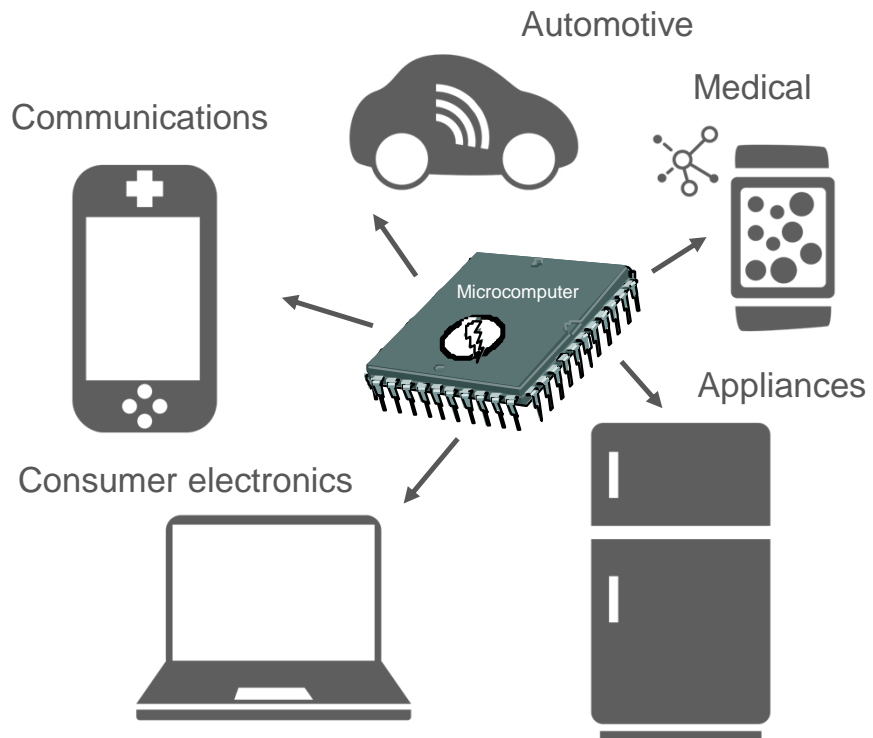




Embedded System Applications

- Communications
- Automotive, ~20/car
- Military
- Medical
- Consumer, ~150/home
- Machine control

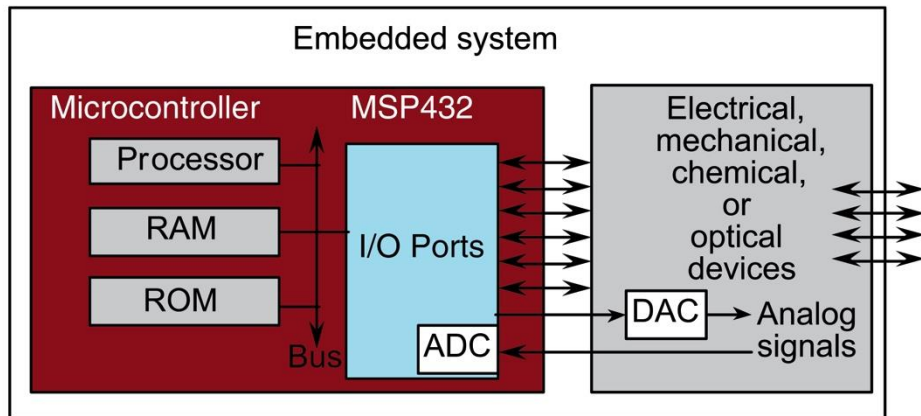
You probably use ~300/day





Embedded System Characteristics

- Reacts and interacts with physical environment continuously
 - Accepts inputs
 - Performs calculations
 - Generates outputs
- Upper bound on the time required to perform input/calculation/output
- System includes:
 - Subsystems
 - Interfaces between subsystems





Big Ideas of Embedded Systems

- HW/SW Architecture
 - Non processor centric view of architecture
 - Microcontroller, FPGA, analog circuits
- Bowels of the “operating system”
 - Specifically, the lower half of the OS
 - Concurrency, parallelism, synchronization
- Real world design
 - Performance vs. cost tradeoffs, constraints
- Analyzability
 - Prove your drive-by-wire system functions correctly
- Application-level techniques
 - Power Aware Programming



Categories of Embedded Systems

- General Computing
 - Applications similar to desktop computing, but embedded
 - Video games, set top boxes, wearable computers, automatic tellers
- Control Systems
 - Closed loop feedback control of real time system
 - Vehicle engines, chemical processes, nuclear power, flight control
- Signal Processing
 - Computations involving large data stream
 - Radar, Sonar, video compression
- Communication & Networking
 - Switching and information transmission
 - Telephone system, Internet

IoT with SimpleLink:

- Wi-Fi
- Bluetooth low energy
- Sub-1 GHz



Embedded System Constraints

- Small Size, Low Weight
 - Handheld electronics
 - Transportation applications weight costs money
- Low Power
 - Battery power for 8h to 10y (laptops often last only 2 hours)
 - Limited cooling may limit power even if AC power available
- Harsh environment
 - Heat, vibration, shock
 - Power fluctuations, RF interference, lightning
 - Water, corrosion, physical abuse
- Safety critical operation
 - Must function correctly
 - Must not function incorrectly
- Extreme cost sensitivity
 - \$.05 adds up over 1,000,000 units



Real-Time Systems

- Hard real time
 - Missing a timing constraint is unacceptable,
 - Safety-critical systems

- Firm real time
 - Value of a task past its timing constraint is zero but not harmful
 - Audio/video streaming

- Soft real time
 - Value of a task diminishes the later it completes
 - Email, web servers



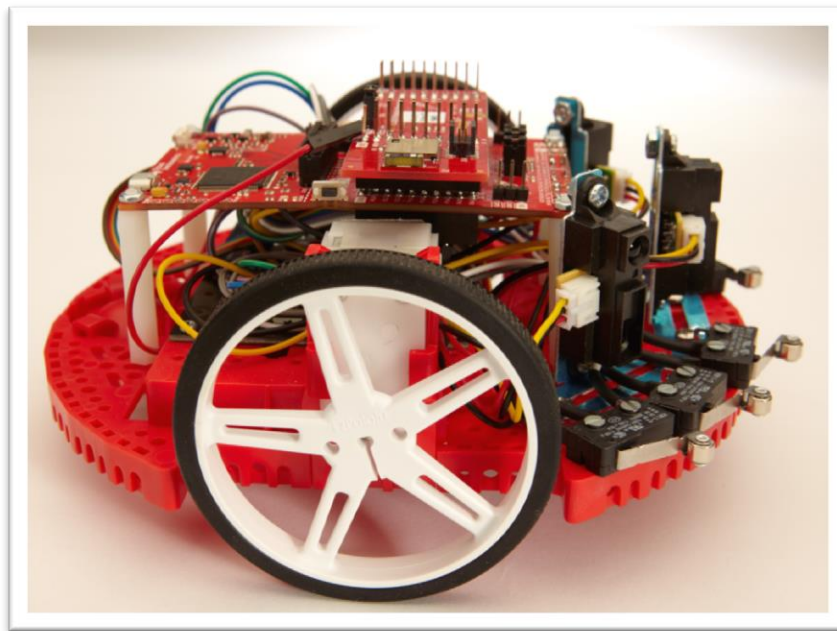
Embedded System

Summary

- Embedded Systems
 - Reactive
 - Real-time
 - Constraints
 - Ubiquitous
- Systems
 - Mixed analog/digital/software
 - Subsystems
 - Interfaces
 - Verification

Real-time

- Hard
- Firm
- Soft



IMPORTANT NOTICE FOR TI DESIGN INFORMATION AND RESOURCES

Texas Instruments Incorporated ("TI") technical, application or other design advice, services or information, including, but not limited to, reference designs and materials relating to evaluation modules, (collectively, "TI Resources") are intended to assist designers who are developing applications that incorporate TI products; by downloading, accessing or using any particular TI Resource in any way, you (individually or, if you are acting on behalf of a company, your company) agree to use it solely for this purpose and subject to the terms of this Notice.

TI's provision of TI Resources does not expand or otherwise alter TI's applicable published warranties or warranty disclaimers for TI products, and no additional obligations or liabilities arise from TI providing such TI Resources. TI reserves the right to make corrections, enhancements, improvements and other changes to its TI Resources.

You understand and agree that you remain responsible for using your independent analysis, evaluation and judgment in designing your applications and that you have full and exclusive responsibility to assure the safety of your applications and compliance of your applications (and of all TI products used in or for your applications) with all applicable regulations, laws and other applicable requirements. You represent that, with respect to your applications, you have all the necessary expertise to create and implement safeguards that (1) anticipate dangerous consequences of failures, (2) monitor failures and their consequences, and (3) lessen the likelihood of failures that might cause harm and take appropriate actions. You agree that prior to using or distributing any applications that include TI products, you will thoroughly test such applications and the functionality of such TI products as used in such applications. TI has not conducted any testing other than that specifically described in the published documentation for a particular TI Resource.

You are authorized to use, copy and modify any individual TI Resource only in connection with the development of applications that include the TI product(s) identified in such TI Resource. NO OTHER LICENSE, EXPRESS OR IMPLIED, BY ESTOPPEL OR OTHERWISE TO ANY OTHER TI INTELLECTUAL PROPERTY RIGHT, AND NO LICENSE TO ANY TECHNOLOGY OR INTELLECTUAL PROPERTY RIGHT OF TI OR ANY THIRD PARTY IS GRANTED HEREIN, including but not limited to any patent right, copyright, mask work right, or other intellectual property right relating to any combination, machine, or process in which TI products or services are used. Information regarding or referencing third-party products or services does not constitute a license to use such products or services, or a warranty or endorsement thereof. Use of TI Resources may require a license from a third party under the patents or other intellectual property of the third party, or a license from TI under the patents or other intellectual property of TI.

TI RESOURCES ARE PROVIDED "AS IS" AND WITH ALL FAULTS. TI DISCLAIMS ALL OTHER WARRANTIES OR REPRESENTATIONS, EXPRESS OR IMPLIED, REGARDING TI RESOURCES OR USE THEREOF, INCLUDING BUT NOT LIMITED TO ACCURACY OR COMPLETENESS, TITLE, ANY EPIDEMIC FAILURE WARRANTY AND ANY IMPLIED WARRANTIES OF MERCHANTABILITY, FITNESS FOR A PARTICULAR PURPOSE, AND NON-INFRINGEMENT OF ANY THIRD PARTY INTELLECTUAL PROPERTY RIGHTS.

TI SHALL NOT BE LIABLE FOR AND SHALL NOT DEFEND OR INDEMNIFY YOU AGAINST ANY CLAIM, INCLUDING BUT NOT LIMITED TO ANY INFRINGEMENT CLAIM THAT RELATES TO OR IS BASED ON ANY COMBINATION OF PRODUCTS EVEN IF DESCRIBED IN TI RESOURCES OR OTHERWISE. IN NO EVENT SHALL TI BE LIABLE FOR ANY ACTUAL, DIRECT, SPECIAL, COLLATERAL, INDIRECT, PUNITIVE, INCIDENTAL, CONSEQUENTIAL OR EXEMPLARY DAMAGES IN CONNECTION WITH OR ARISING OUT OF TI RESOURCES OR USE THEREOF, AND REGARDLESS OF WHETHER TI HAS BEEN ADVISED OF THE POSSIBILITY OF SUCH DAMAGES.

You agree to fully indemnify TI and its representatives against any damages, costs, losses, and/or liabilities arising out of your non-compliance with the terms and provisions of this Notice.

This Notice applies to TI Resources. Additional terms apply to the use and purchase of certain types of materials, TI products and services. These include; without limitation, TI's standard terms for semiconductor products (<http://www.ti.com/sc/docs/stdterms.htm>), [evaluation modules](#), and [samples](http://www.ti.com/sc/docs/sampterm.htm) (<http://www.ti.com/sc/docs/sampterm.htm>).

Mailing Address: Texas Instruments, Post Office Box 655303, Dallas, Texas 75265
Copyright © 2018, Texas Instruments Incorporated