

# AFE58JD48 16-Channel Ultrasound AFE with 140-mW/Channel Power, 0.8-nV/ $\sqrt{\text{Hz}}$ Noise, 16-Bit, 125-MSPS ADC with JESD or LVDS Interface, Digital Demodulator, and Passive CW Mixer

## 1 Features

- 16-Channel AFE for ultrasound applications:
  - Four programmable TGC setting profiles
- Low-noise amplifier (LNA) With Active Termination:
  - Programmable gain: 21 dB, 18 dB, and 15 dB
  - Linear input amplitude: 0.37/0.5/0.71 V<sub>PP</sub>
  - Maximum input amplitude: 1 V<sub>pp</sub>
- Voltage-controlled attenuator (VCAT):
  - Attenuation range: 0 dB–36 dB
- Programmable gain amplifier (PGA):
  - 18 dB–27 dB in Steps of 3 dB
- 3rd-Order, 10 ~ 60 MHz Low-pass filter (LPF)
- ADC Idle-Channel SNR:
  - 16-Bit, 125-MSPS Mode: 80-dBFS
  - 14-Bit, 80-MSPS Mode: 79-dBFS
- Excellent near field SNR: 74-dBFS
- TGC Mode JESD204B output
  - 140 mW/Ch, 0.8 nV/ $\sqrt{\text{Hz}}$ , 125 MSPS, 16 bit
  - 120 mW/Ch, 0.8 nV/ $\sqrt{\text{Hz}}$ , 80 MSPS, 16 bit
  - 115 mW/Ch, 0.8 nV/ $\sqrt{\text{Hz}}$ , 65 MSPS, 16 bit
  - 105 mW/Ch, 0.8 nV/ $\sqrt{\text{Hz}}$ , 40 MSPS, 16 bit
- TGC Mode LVDS output
  - 120 mW/Ch, 0.8 nV/ $\sqrt{\text{Hz}}$ , 80 MSPS, 16 bit
  - 115 mW/Ch, 0.8 nV/ $\sqrt{\text{Hz}}$ , 65 MSPS, 16 bit
  - 150 mW/Ch, 0.8 nV/ $\sqrt{\text{Hz}}$ , 125 MSPS, 16 bit, Decimation by 2, LVDS 0.5x mode
- CW Mode: 63 mW/Ch, 1.15 nV/ $\sqrt{\text{Hz}}$
- $\pm 0.4$  dB (typical) Device-to-device gain matching
- Fast and consistent overload recovery

- Continuous wave (CW) path with:
  - $-159$  dBc/Hz Phase noise at 1-kHz off carrier
  - $\lambda / 16$  Phase resolution
  - Supports 16x and 8x CW clocks
  - 12-dB Suppression of 3rd and 5th harmonics
- Digital I/Q demodulator w/ data reduction
  - Fractional decimation filter M = 1 to 63 with increments of 0.25
  - On-chip RAM with 32 preset profiles
- LVDS Interface with a speed Up to 1.28 Gbps
- 10-Gbps JESD204B Subclass 0, 1, and 2
  - Up to 12.8-Gbps with 10-cm PCB traces
  - 2, 4, or 8 Channels per JESD lane

## 2 Applications

- [Medical ultrasound imaging](#)
- [High frequency ultrasound imaging](#)
- Non-destructive testing (NDT)
- Sonar, radar, LiDAR imaging equipment
- [Multi-channel data acquisition](#)

## 3 Description

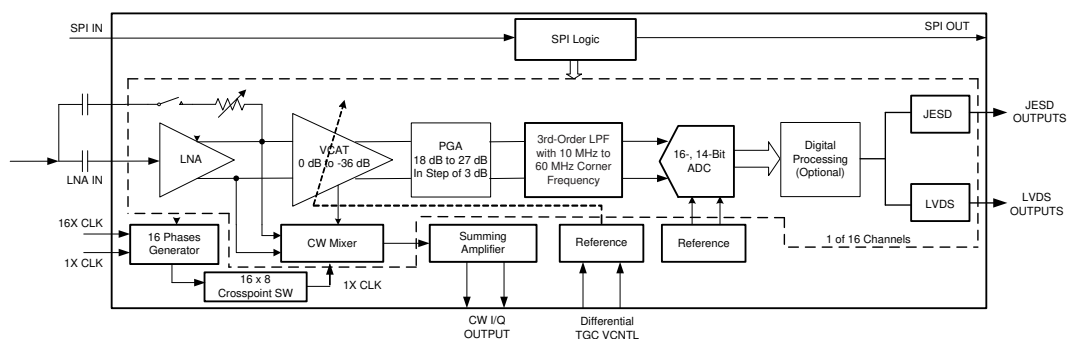
The AFE58JD48 device is a highly-integrated, analog front-end (AFE) solutions specifically designed for premium ultrasound systems.

### Device Information<sup>(1)</sup>

PART NUMBER	PACKAGE	BODY SIZE (NOM)
AFE58JD48	NFBGA (289)	15.00 mm x 15.00 mm

(1) For all available packages, see the package option addendum at the end of the datasheet.

### Simplified Block Diagram



## 4 Revision History

### Changes from Original (October 2019) to Revision A

Page

- 
- Changed the device from *Advanced Information* to *Production data* ..... 1
-

## 5 Description (continued)

The AFE58JD48 is an integrated AFE optimized for premium medical ultrasound application. The device is realized through a multichip module (MCM) with three dies: one 16-CH voltage-controlled amplifier (VCA) die and two 8-CH analog-to-digital converter (ADC) dies.

Each channel in the VCA die can be configured in one of two modes: time gain compensation (TGC) mode or continuous wave (CW) mode. In TGC mode, each channel includes a low-noise amplifier (LNA), a voltage-controlled attenuator (VCAT), a programmable gain amplifier (PGA), and a third-order, low-pass filter (LPF). The LNA is programmable in gains of 21 dB, 18 dB, or 15 dB. The LNA also supports active termination. The VCAT supports an attenuation range of 0 dB to 36 dB, with analog voltage control for the attenuation. The PGA provides gain options from 18 dB to 27 dB in steps of 3 dB. The LPF cutoff frequency can be set between 10 MHz and 60 MHz to support ultrasound applications with different frequencies, especially the emerging high frequency ultrasound imaging applications. In CW mode, the output of the LNA goes to a low-power passive mixer with 16 selectable phase delays followed by a summing amplifier with a band-pass filter. Different phase delays can be applied to each analog input signal to perform an on-chip beamforming operation. A harmonic filter in the CW mixer suppresses the third and fifth harmonic to enhance the sensitivity of the CW Doppler measurement.

The ADC die can be configured to operate with a resolution of 16 bits or 14 bits. The ADC primarily supports a JESD204B interface that runs up to 12.8 Gbps and reduces the circuit-board routing challenges in high-channel count systems. The output interface of the ADC can also be set as a low-voltage differential signaling (LVDS) that can easily interface with low-cost field-programmable gate arrays (FPGAs). The ADC can operate at maximum speeds of 125 MSPS 16-bit and send out the digitized data with JESD204B interface. When the LVDS interface is used, the ADCs sampling rate and resolution are limited by the LVDS output rate of 1.28 Gbps, or 80 MSPS at 16-bit resolution. The ADC in 14-bit resolution can be configured in this scenario to sample at a higher speed but still maintain the same output data rate. The ADC is designed to scale its power with sampling rate.

The AFE58JD48 additionally includes a digital demodulator block. The digital in-phase and quadrature (I/Q) demodulator with programmable decimation filters accelerates computationally-intensive algorithms at low power.

The device also allows various power and noise combinations to be selected for optimizing system performance. Therefore, the device is a suitable ultrasound AFE solution for premium systems powered either by wall outlet or by batteries.

The device is available in a 15-mm × 15-mm NFBGA-289 package and is almost pin-compatible with the [AFE58JD28](#) and [AFE58JD18](#) devices.

## 6 Device and Documentation Support

### 6.1 Documentation Support

#### 6.1.1 Related Documentation

For related documentation see the following:

- [AFE5828 16-Channel, Ultrasound, Analog Front-End with 102-mW/Channel Power, 0.8-nV/ \$\sqrt{\text{Hz}}\$  Noise, 14-Bit, 65-MSPS or 12-Bit, 80-MSPS ADC, and Passive CW Mixer](#)
- [AFE58JD28 16-Channel, Ultrasound, Analog Front-End with 102-mW/Channel Power, 0.8-nV/ \$\sqrt{\text{Hz}}\$  Noise, 14-Bit, 65-MSPS or 12-Bit, 80-MSPS ADC, and Passive CW Mixer](#)
- [AFE5818 16-Channel, Ultrasound, Analog Front-End with 140-mW/Channel Power, 0.75-nV/ \$\sqrt{\text{Hz}}\$  Noise, 14-Bit, 65-MSPS or 12-Bit, 80-MSPS ADC, and Passive CW Mixer](#)
- [AFE5816 16-Channel Ultrasound AFE with 90-mW/Channel Power, 1-nV/ \$\sqrt{\text{Hz}}\$  Noise, 14-Bit, 65-MSPS or 12-Bit, 80-MSPS ADC and Passive CW Mixer](#)
- [AFE58JD18 16-Channel, Ultrasound AFE with 14-Bit, 65-MSPS or 12-Bit, 80-MSPS ADC, Passive CW Mixer, I/Q Demodulator, and LVDS, JESD204B Outputs](#)
- [TLV5626 2.7-V to 5.5-V Low-Power Dual 8-Bit Digital-to-Analog Converter With Internal Reference and Power Down](#)
- [DAC7821 12-Bit, Parallel Input, Multiplying Digital-to-Analog Converter](#)
- [THS413x High-Speed, Low-Noise, Fully-Differential I/O Amplifiers](#)
- [OPA1632 High-Performance, Fully-Differential Audio Operational Amplifier](#)
- [Wideband Differential Transimpedance DAC Output](#)
- [LMK0482x Ultra Low-Noise JESD204B Compliant Clock Jitter Cleaner with Dual Loop PLLs](#)
- [CDCM7005 3.3-V High Performance Clock Synchronizer and Jitter Cleaner](#)
- [CDCE72010 Ten Output High Performance Clock Synchronizer, Jitter Cleaner, and Clock Distributor](#)
- [OPA2x11 1.1-nV/ \$\sqrt{\text{Hz}}\$  Noise, Low Power, Precision Operational Amplifier](#)
- [ADS8413 16-Bit, 2-MSPS, LVDS Serial Interface, SAR Analog-to-Digital Converter](#)
- [ADS8472 16-Bit, 1-MSPS, Pseudo-Bipolar, Fully Differential Input, Micropower Sampling Analog-to-Digital Converter With Parallel Interface, Reference](#)
- [Clocking High-Speed Data Converters Technical Brief](#)
- [ISO724x High-Speed, Quad-Channel Digital Isolators](#)
- [SN74AUP1T04 Low Power, 1.8/2.5/3.3-V Input, 3.3-V CMOS Output, Single Inverter Gate](#)
- [MicroStar BGA Packaging Reference Guide](#)

#### 6.2 Receiving Notification of Documentation Updates

To receive notification of documentation updates, navigate to the device product folder on [ti.com](http://ti.com). In the upper right corner, click on *Alert me* to register and receive a weekly digest of any product information that has changed. For change details, review the revision history included in any revised document.

#### 6.3 Support Resources

[TI E2E™ support forums](#) are an engineer's go-to source for fast, verified answers and design help — straight from the experts. Search existing answers or ask your own question to get the quick design help you need.

Linked content is provided "AS IS" by the respective contributors. They do not constitute TI specifications and do not necessarily reflect TI's views; see TI's [Terms of Use](#).

#### 6.4 Trademarks

E2E is a trademark of Texas Instruments.

All other trademarks are the property of their respective owners.

## 6.5 Electrostatic Discharge Caution



These devices have limited built-in ESD protection. The leads should be shorted together or the device placed in conductive foam during storage or handling to prevent electrostatic damage to the MOS gates.

## 6.6 Glossary

[SLYZ022](#) — *TI Glossary*.

This glossary lists and explains terms, acronyms, and definitions.

## 7 Mechanical, Packaging, and Orderable Information

The following pages include mechanical, packaging, and orderable information. This information is the most current data available for the designated devices. This data is subject to change without notice and revision of this document. For browser-based versions of this data sheet, refer to the left-hand navigation.

**PACKAGING INFORMATION**

Orderable part number	Status (1)	Material type (2)	Package   Pins	Package qty   Carrier	RoHS (3)	Lead finish/ Ball material (4)	MSL rating/ Peak reflow (5)	Op temp (°C)	Part marking (6)
<a href="#">AFE58JD48ZAV</a>	Active	Production	NFBGA (ZAV)   289	126   JEDEC TRAY (5+1)	Yes	SNAGCU	Level-3-260C-168 HR	0 to 85	AFE58JD48
AFE58JD48ZAV.A	Active	Production	NFBGA (ZAV)   289	126   JEDEC TRAY (5+1)	Yes	SNAGCU	Level-3-260C-168 HR	0 to 85	AFE58JD48
AFE58JD48ZAV.B	Active	Production	NFBGA (ZAV)   289	126   JEDEC TRAY (5+1)	-	Call TI	Call TI	0 to 85	

(1) **Status:** For more details on status, see our [product life cycle](#).

(2) **Material type:** When designated, preproduction parts are prototypes/experimental devices, and are not yet approved or released for full production. Testing and final process, including without limitation quality assurance, reliability performance testing, and/or process qualification, may not yet be complete, and this item is subject to further changes or possible discontinuation. If available for ordering, purchases will be subject to an additional waiver at checkout, and are intended for early internal evaluation purposes only. These items are sold without warranties of any kind.

(3) **RoHS values:** Yes, No, RoHS Exempt. See the [TI RoHS Statement](#) for additional information and value definition.

(4) **Lead finish/Ball material:** Parts may have multiple material finish options. Finish options are separated by a vertical ruled line. Lead finish/Ball material values may wrap to two lines if the finish value exceeds the maximum column width.

(5) **MSL rating/Peak reflow:** The moisture sensitivity level ratings and peak solder (reflow) temperatures. In the event that a part has multiple moisture sensitivity ratings, only the lowest level per JEDEC standards is shown. Refer to the shipping label for the actual reflow temperature that will be used to mount the part to the printed circuit board.

(6) **Part marking:** There may be an additional marking, which relates to the logo, the lot trace code information, or the environmental category of the part.

Multiple part markings will be inside parentheses. Only one part marking contained in parentheses and separated by a "~" will appear on a part. If a line is indented then it is a continuation of the previous line and the two combined represent the entire part marking for that device.

**Important Information and Disclaimer:** The information provided on this page represents TI's knowledge and belief as of the date that it is provided. TI bases its knowledge and belief on information provided by third parties, and makes no representation or warranty as to the accuracy of such information. Efforts are underway to better integrate information from third parties. TI has taken and continues to take reasonable steps to provide representative and accurate information but may not have conducted destructive testing or chemical analysis on incoming materials and chemicals. TI and TI suppliers consider certain information to be proprietary, and thus CAS numbers and other limited information may not be available for release.

In no event shall TI's liability arising out of such information exceed the total purchase price of the TI part(s) at issue in this document sold by TI to Customer on an annual basis.

**TRAY**



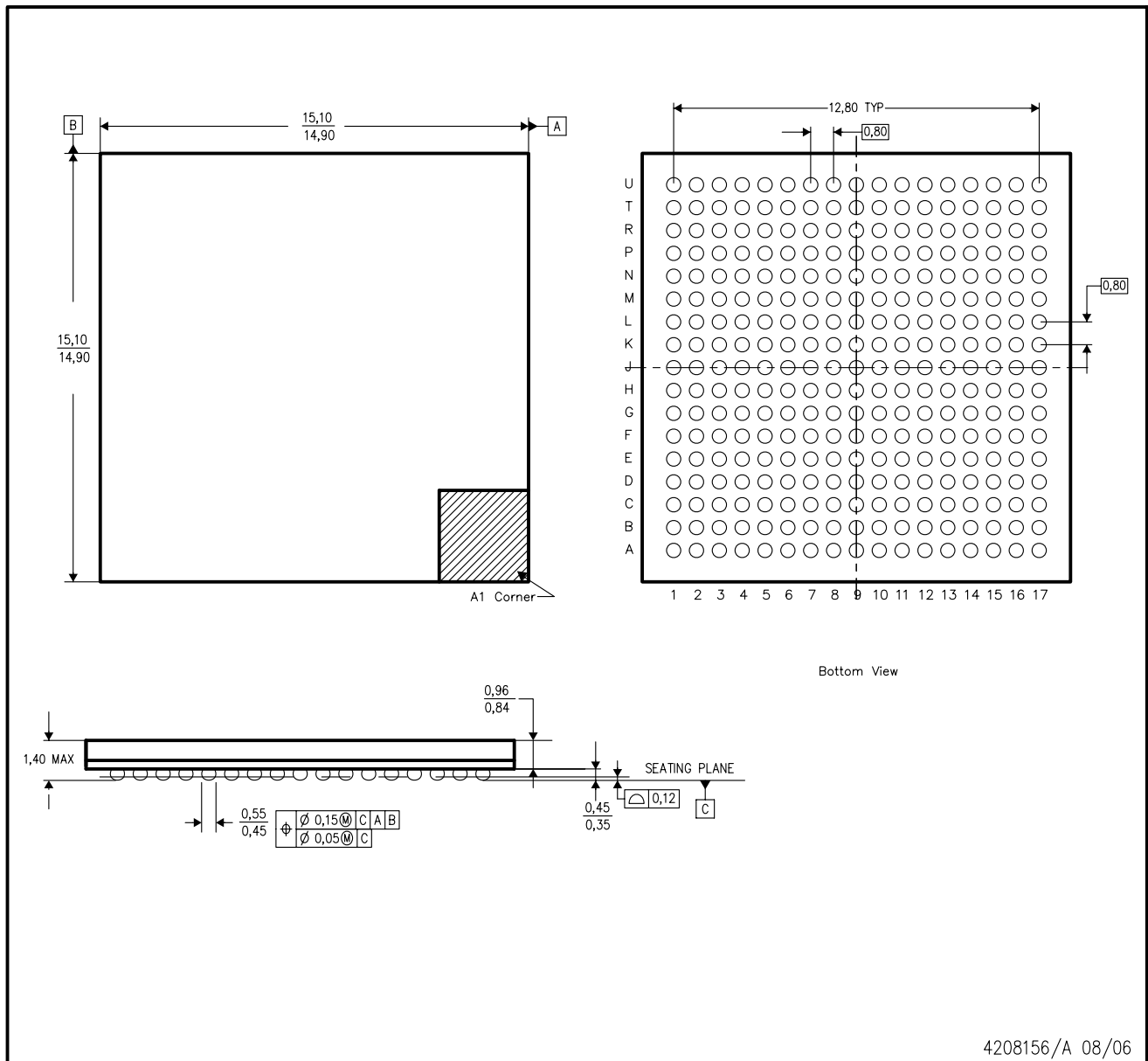
Chamfer on Tray corner indicates Pin 1 orientation of packed units.

\*All dimensions are nominal

Device	Package Name	Package Type	Pins	SPQ	Unit array matrix	Max temperature (°C)	L (mm)	W (mm)	K0 (µm)	P1 (mm)	CL (mm)	CW (mm)
AFE58JD48ZAV	ZAV	NFBGA	289	126	7 X 18	150	315	135.9	7620	17.2	11.3	16.35
AFE58JD48ZAV.A	ZAV	NFBGA	289	126	7 X 18	150	315	135.9	7620	17.2	11.3	16.35

ZAV (S-PBGA-N289)

PLASTIC BALL GRID ARRAY



- NOTES:
- A. All linear dimensions are in millimeters.
  - B. This drawing is subject to change without notice.
  - C. This is a lead-free solder ball design.



## IMPORTANT NOTICE AND DISCLAIMER

TI PROVIDES TECHNICAL AND RELIABILITY DATA (INCLUDING DATASHEETS), DESIGN RESOURCES (INCLUDING REFERENCE DESIGNS), APPLICATION OR OTHER DESIGN ADVICE, WEB TOOLS, SAFETY INFORMATION, AND OTHER RESOURCES "AS IS" AND WITH ALL FAULTS, AND DISCLAIMS ALL WARRANTIES, EXPRESS AND IMPLIED, INCLUDING WITHOUT LIMITATION ANY IMPLIED WARRANTIES OF MERCHANTABILITY, FITNESS FOR A PARTICULAR PURPOSE OR NON-INFRINGEMENT OF THIRD PARTY INTELLECTUAL PROPERTY RIGHTS.

These resources are intended for skilled developers designing with TI products. You are solely responsible for (1) selecting the appropriate TI products for your application, (2) designing, validating and testing your application, and (3) ensuring your application meets applicable standards, and any other safety, security, regulatory or other requirements.

These resources are subject to change without notice. TI grants you permission to use these resources only for development of an application that uses the TI products described in the resource. Other reproduction and display of these resources is prohibited. No license is granted to any other TI intellectual property right or to any third party intellectual property right. TI disclaims responsibility for, and you fully indemnify TI and its representatives against any claims, damages, costs, losses, and liabilities arising out of your use of these resources.

TI's products are provided subject to [TI's Terms of Sale](#), [TI's General Quality Guidelines](#), or other applicable terms available either on [ti.com](#) or provided in conjunction with such TI products. TI's provision of these resources does not expand or otherwise alter TI's applicable warranties or warranty disclaimers for TI products. Unless TI explicitly designates a product as custom or customer-specified, TI products are standard, catalog, general purpose devices.

TI objects to and rejects any additional or different terms you may propose.

Copyright © 2025, Texas Instruments Incorporated

Last updated 10/2025