

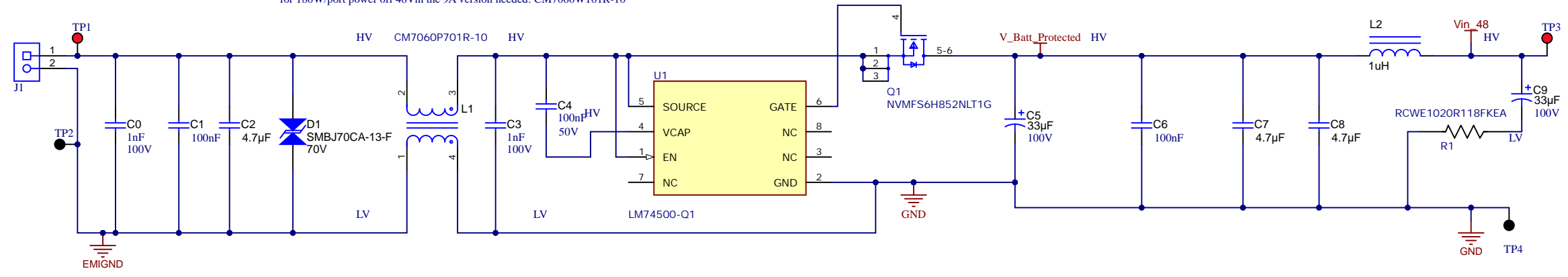
Reverse Battery Protection

Vin: 40-60VDC

700 ohms at 100MHz / 4A max version shown

for 180W/port power off 48Vin the 9A version needed: CM7060W101R-10

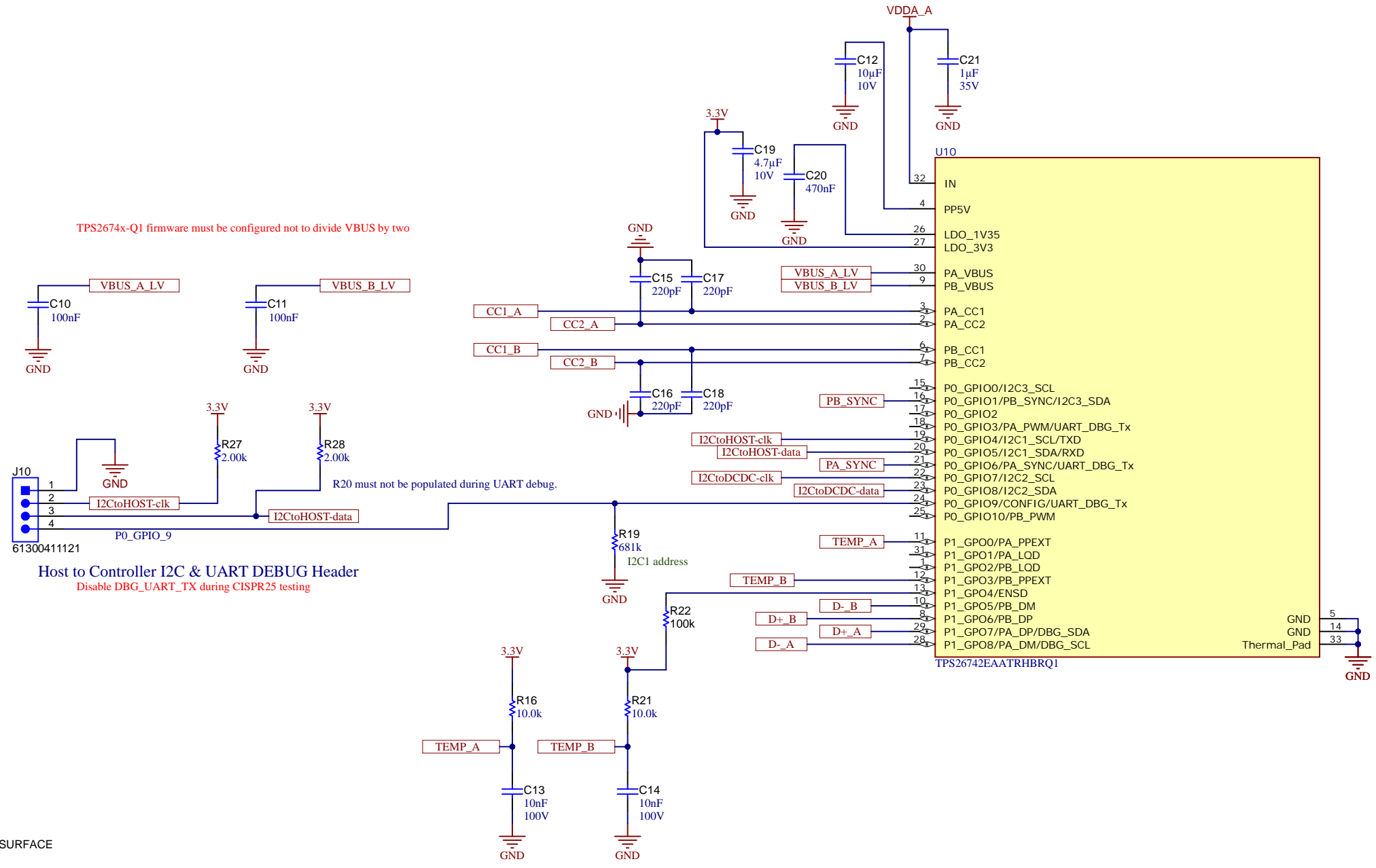
Battery Connector



Texas Instruments and/or its licensors do not warrant the accuracy or completeness of this specification or any information contained therein. Texas Instruments and/or its licensors do not warrant that this design will meet the specifications, will be suitable for your application or fit for any particular purpose, or will operate in an implementation. Texas Instruments and/or its licensors do not warrant that the design is production worthy. You should completely validate and test your design implementation to confirm the system functionality for your application.

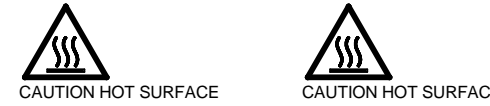
Orderable: no	Designed for:	Mod. Date: 10/20/2025
TID #: N/A	Project Title: Automotive 48Vin dual USB-PD EPR	
Number: PMP23618	Rev: B	Sheet Title:
SVN Rev: Not in version control	Assembly Variant: EPR - up to 48Vout	Sheet: 2 of 7
Drawn By:	File: InputPower&Protection.SchDoc	Size: B
Engineer: S. Abedin	Contact: http://www.ti.com/support	





TPS2674x-Q1 firmware must be configured not to divide VBUS by two

Host to Controller I2C & UART DEBUG Header
Disable DBG_UART_TX during CISPR25 testing



PCB Number: PMP23618
PCB Rev: B

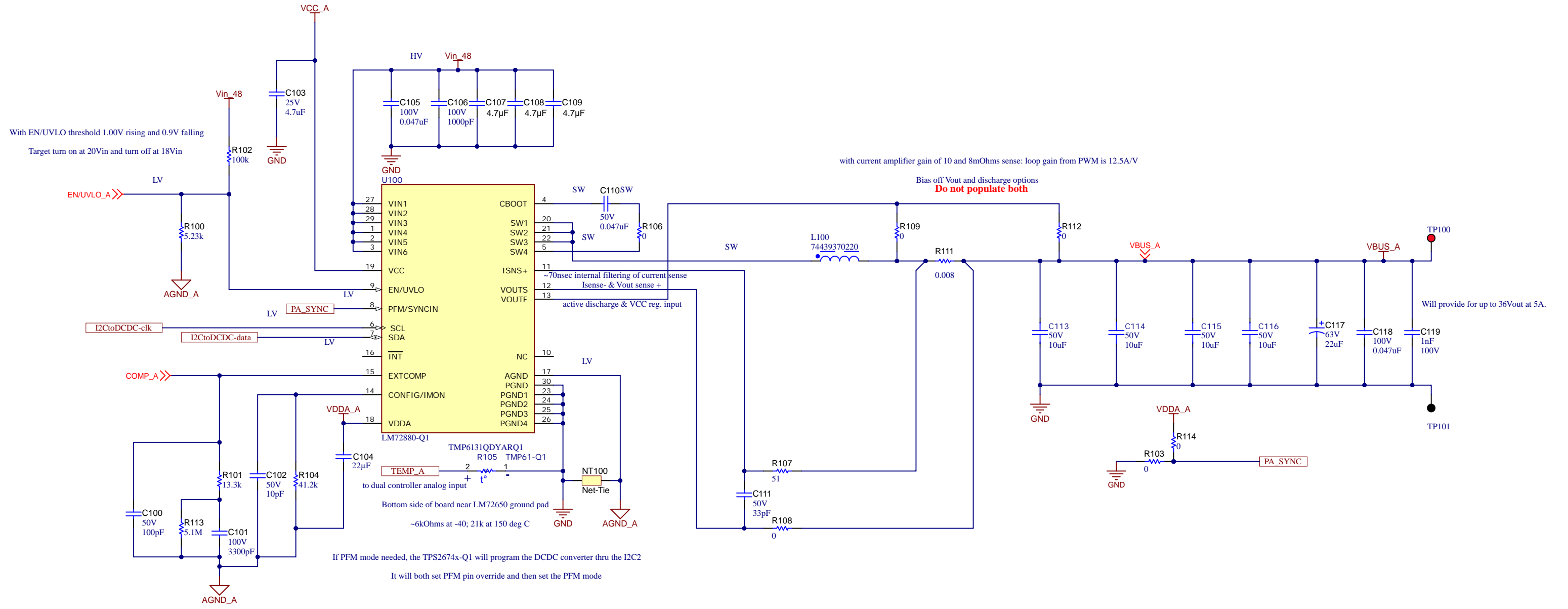
PCB LOGO
WEEE logo

LBL1
PCB Label
THT-14-423-10
Size: 0.65" x 0.20"

Texas Instruments and/or its licensors do not warrant the accuracy or completeness of this specification or any information contained therein. Texas Instruments and/or its licensors do not warrant that this design will meet the specifications, will be suitable for your application or fit for any particular purpose, or will operate in an implementation. Texas Instruments and/or its licensors do not warrant that the design is production worthy. You should completely validate and test your design implementation to confirm the system functionality for your application.

Orderable: no	Designed for:	Mod. Date: 10/5/2025
TID #: N/A	Project Title: Automotive 48Vin dual USB-PD EPR	
Number: PMP23618	Rev: B	Sheet: 3 of 7
SVN Rev: Not in version control	Assembly Variant: EPR - up to 48Vout	File: EPR_Controller_Dual.SchDoc
Drawn By:	Size: B	Contact: http://www.ti.com/support
Engineer: S. Abedin		



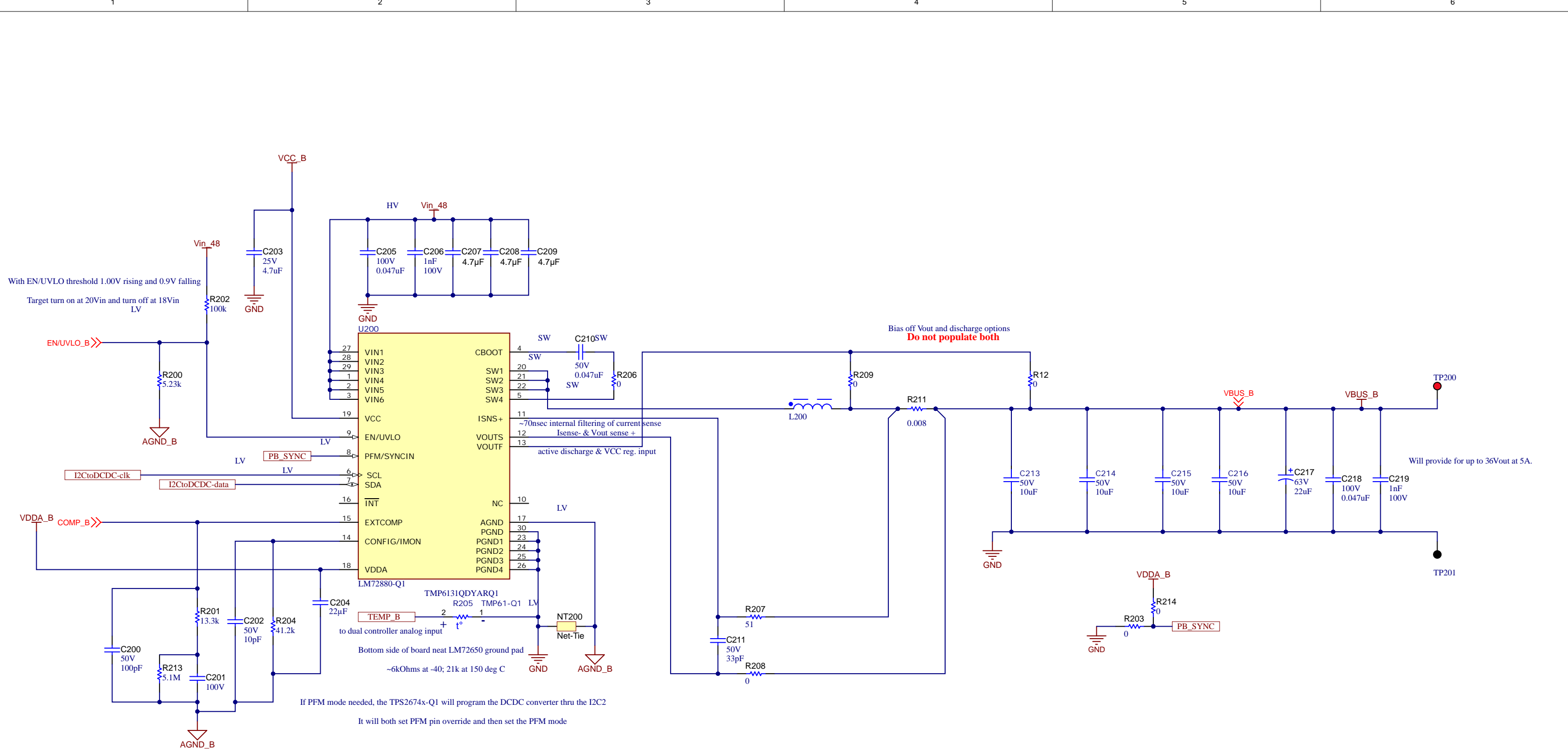


Texas Instruments and/or its licensors do not warrant the accuracy or completeness of this specification or any information contained therein. Texas Instruments and/or its licensors do not warrant that this design will meet the specifications, will be suitable for your application or fit for any particular purpose, or will operate in an implementation. Texas Instruments and/or its licensors do not warrant that the design is production worthy. You should completely validate and test your design implementation to confirm the system functionality for your application.

Orderable: no	Designed for:	Mod. Date: 10/20/2025
TID #: N/A	Project Title: Automotive 48Vin dual USB-PD EPR	
Number: PMP23618	Rev: B	Sheet Title: LM72880-Q1 EVM Schematic
SVN Rev: Not in version control	Assembly Variant: EPR - up to 48Vout	Sheet: 4 of 7
Drawn By: K.Nielson	File: DCDC_A.SchDoc	Size: B
Engineer: S.Abedin	Contact: http://www.ti.com/support	



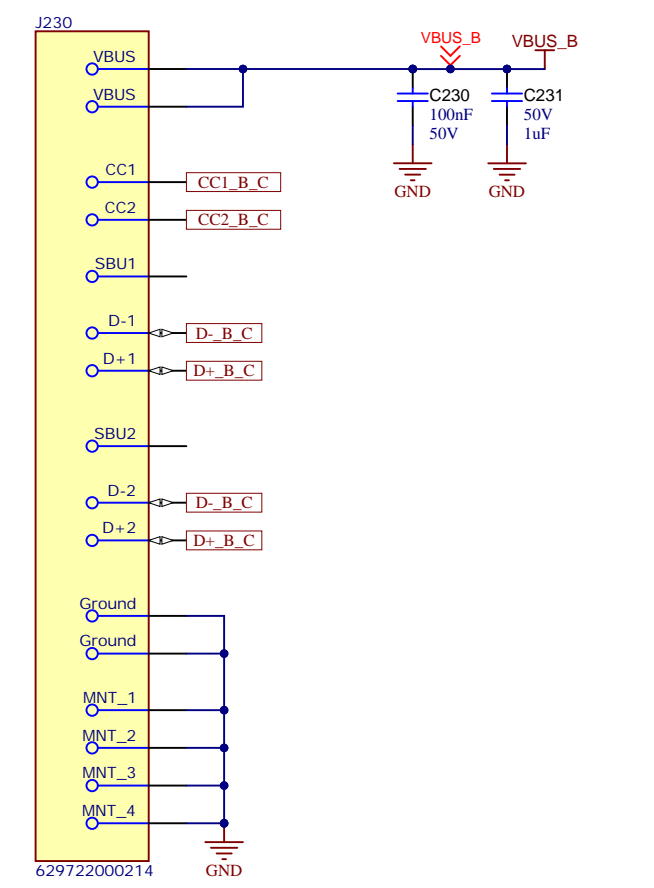
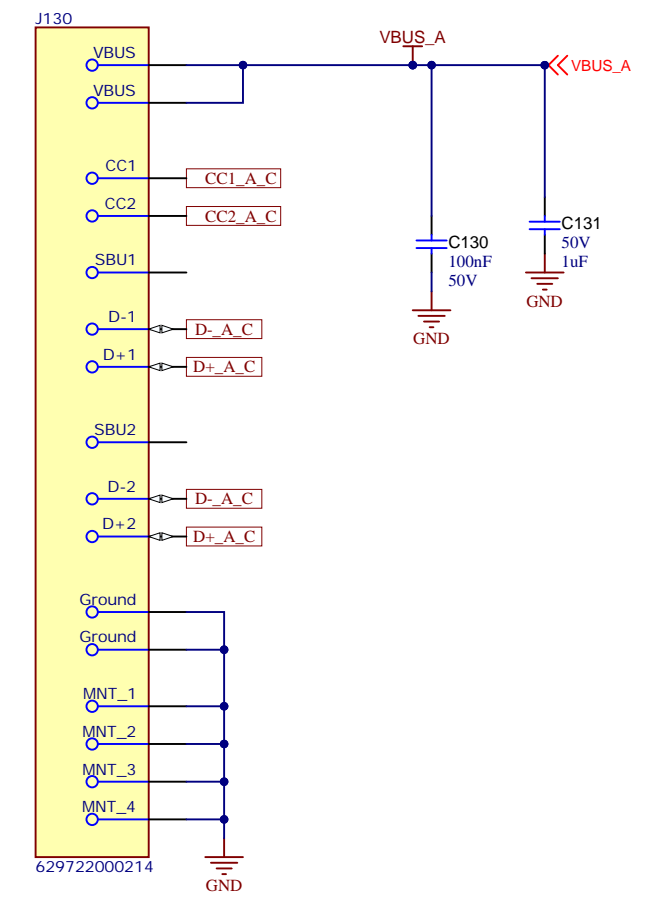
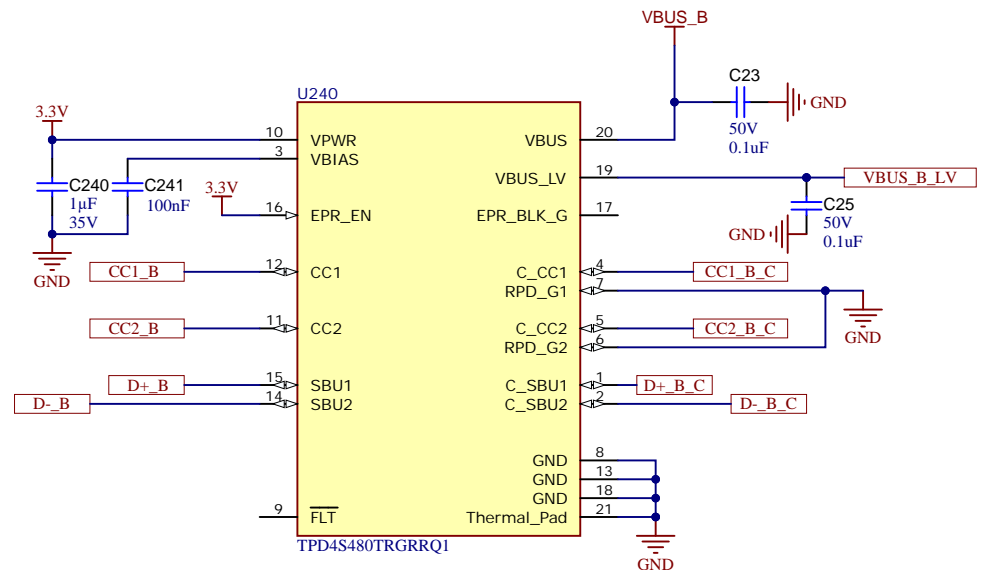
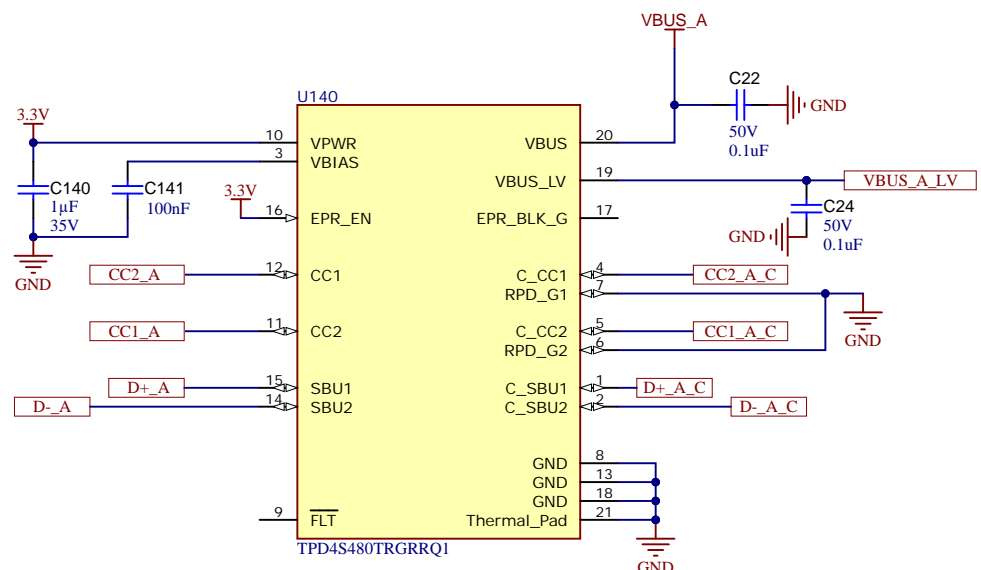
© Texas Instruments 2025



Orderable: no	Designed for:	Mod. Date: 10/20/2025
TID #: N/A	Project Title: Automotive 48Vin dual USB-PD EPR	
Number: PMP23618	Rev: B	Sheet Title: LM72880-Q1 EVM Schematic
SVN Rev: Not in version control	Assembly Variant: EPR - up to 48Vout	Sheet: 5 of 7
Drawn By: K.Nielson	File: DCDC_B.SchDoc	Size: B
Engineer: S.Abedin	Contact: http://www.ti.com/support	

Texas Instruments and/or its licensors do not warrant the accuracy or completeness of this specification or any information contained therein. Texas Instruments and/or its licensors do not warrant that this design will meet the specifications, will be suitable for your application or fit for any particular purpose, or will operate in an implementation. Texas Instruments and/or its licensors do not warrant that the design is production worthy. You should completely validate and test your design implementation to confirm the system functionality for your application.





Texas Instruments and/or its licensors do not warrant the accuracy or completeness of this specification or any information contained therein. Texas Instruments and/or its licensors do not warrant that this design will meet the specifications, will be suitable for your application or fit for any particular purpose, or will operate in an implementation. Texas Instruments and/or its licensors do not warrant that the design is production worthy. You should completely validate and test your design implementation to confirm the system functionality for your application.

Orderable: no	Designed for:	Mod. Date: 10/5/2025
TID #: N/A	Project Title: Automotive 48Vin dual USB-PD EPR	
Number: PMP23618	Rev: B	Sheet Title:
SVN Rev: Not in version control	Assembly Variant: EPR - up to 48Vout	Sheet: 6 of 7
Drawn By:	File: USB-Cconnectors&protection.SchDoc	Size: B
Engineer: S. Abedin	Contact: http://www.ti.com/support	



IMPORTANT NOTICE AND DISCLAIMER

TI PROVIDES TECHNICAL AND RELIABILITY DATA (INCLUDING DATASHEETS), DESIGN RESOURCES (INCLUDING REFERENCE DESIGNS), APPLICATION OR OTHER DESIGN ADVICE, WEB TOOLS, SAFETY INFORMATION, AND OTHER RESOURCES "AS IS" AND WITH ALL FAULTS, AND DISCLAIMS ALL WARRANTIES, EXPRESS AND IMPLIED, INCLUDING WITHOUT LIMITATION ANY IMPLIED WARRANTIES OF MERCHANTABILITY, FITNESS FOR A PARTICULAR PURPOSE OR NON-INFRINGEMENT OF THIRD PARTY INTELLECTUAL PROPERTY RIGHTS.

These resources are intended for skilled developers designing with TI products. You are solely responsible for (1) selecting the appropriate TI products for your application, (2) designing, validating and testing your application, and (3) ensuring your application meets applicable standards, and any other safety, security, regulatory or other requirements.

These resources are subject to change without notice. TI grants you permission to use these resources only for development of an application that uses the TI products described in the resource. Other reproduction and display of these resources is prohibited. No license is granted to any other TI intellectual property right or to any third party intellectual property right. TI disclaims responsibility for, and you fully indemnify TI and its representatives against any claims, damages, costs, losses, and liabilities arising out of your use of these resources.

TI's products are provided subject to [TI's Terms of Sale](#), [TI's General Quality Guidelines](#), or other applicable terms available either on [ti.com](#) or provided in conjunction with such TI products. TI's provision of these resources does not expand or otherwise alter TI's applicable warranties or warranty disclaimers for TI products. Unless TI explicitly designates a product as custom or customer-specified, TI products are standard, catalog, general purpose devices.

TI objects to and rejects any additional or different terms you may propose.

Copyright © 2026, Texas Instruments Incorporated

Last updated 10/2025