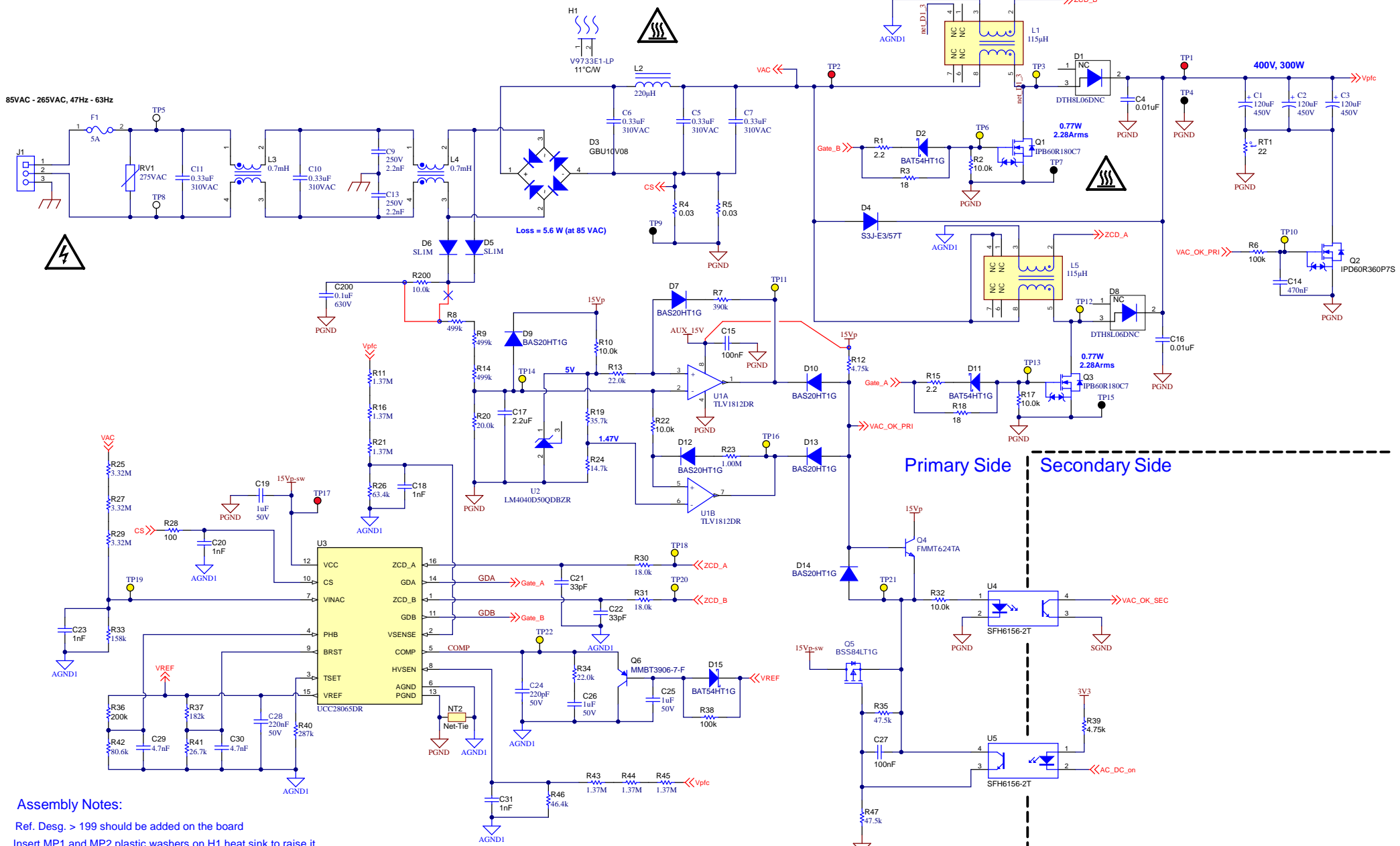


85VAC - 265VAC, 47Hz - 63Hz



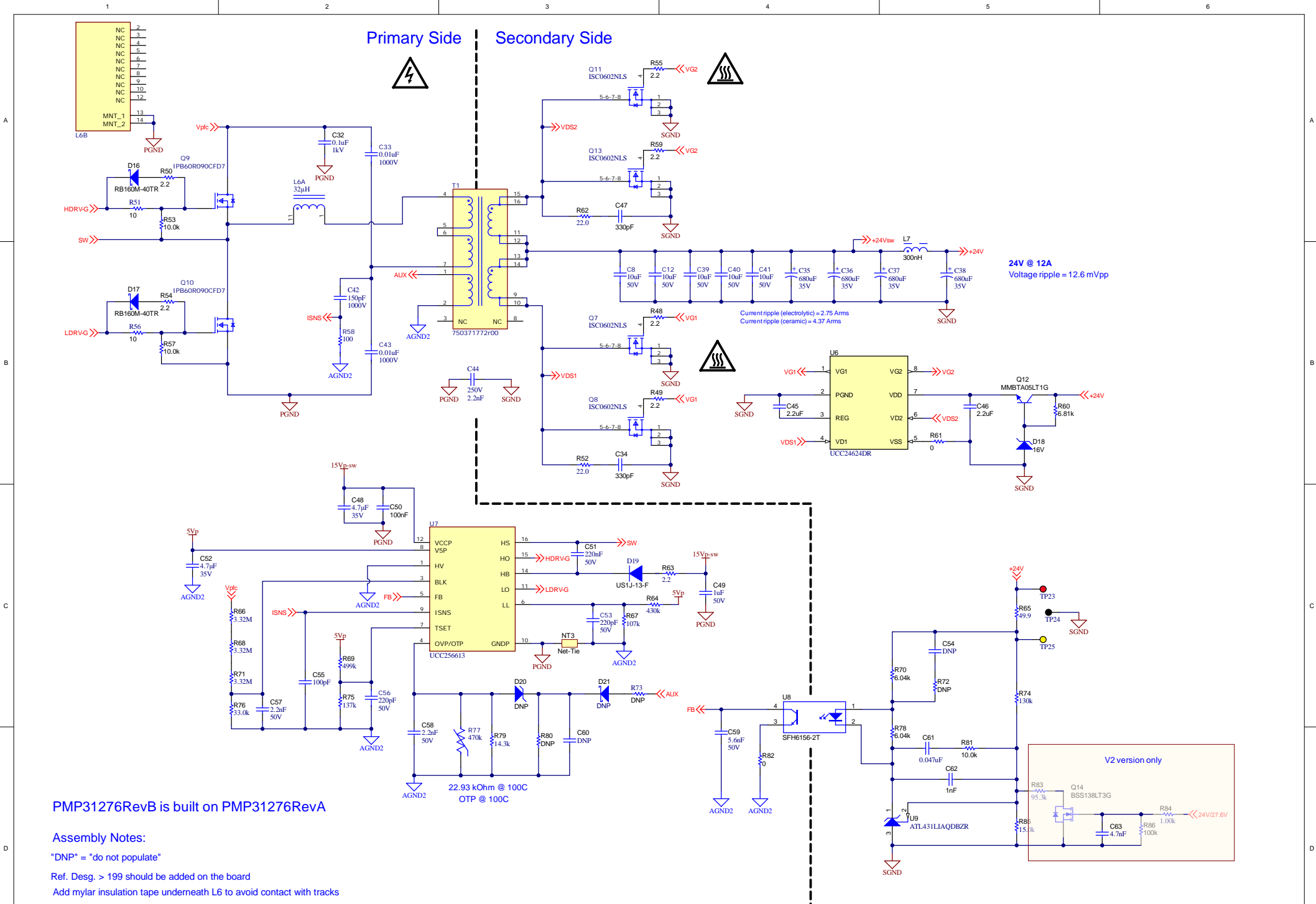
Assembly Notes:
 Ref. Desg. > 199 should be added on the board
 Insert MP1 and MP2 plastic washers on H1 heat sink to raise it
 Connect net AUX_15V with net 15Vp (red wire)
 Disconnect R8 from D5 and connect it to C200

PMP31276RevB is built on PMP31276RevA

Orderable: N/A	Designed for: Public Release	Mod. Date: 6/23/2026
TID #:	Project Title: 288W, PFC, LLC and Charger	
Number: PMP31276	Rev: B	Sheet Title: Power factor correction
SVN Rev: Not in version control	Assembly Variant: [No Variations]	Sheet: 1 of 5
Drawn By: R. Scibilia	File: PMP31276 Rev. B PFC Schematic.SchDoc	Size: B
Engineer: R. Scibilia	Contact: http://www.ti.com/support	

Texas Instruments and/or its licensors do not warrant the accuracy or completeness of this specification or any information contained therein. Texas Instruments and/or its licensors do not warrant that this design will meet the specifications, will be suitable for your application or fit for any particular purpose, or will operate in an implementation. Texas Instruments and/or its licensors do not warrant that the design is production worthy. You should completely validate and test your design implementation to confirm the system functionality for your application.





PMP31276RevB is built on PMP31276RevA

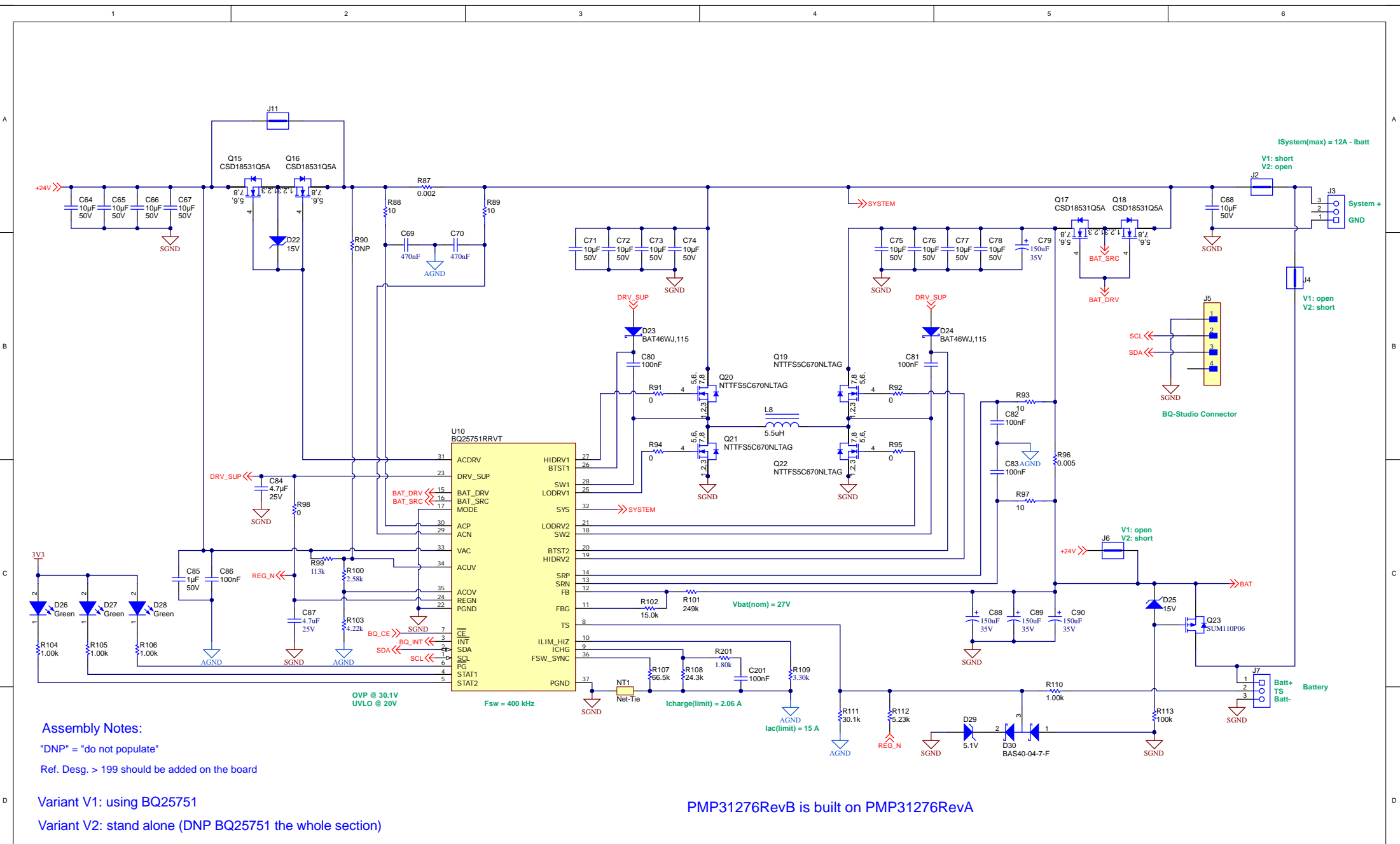
Assembly Notes:

- "DNP" = "do not populate"
- Ref. Desg. > 199 should be added on the board
- Add mylar insulation tape underneath L6 to avoid contact with tracks

Orderable: N/A	Designed for: Public Release	Mod. Date: 6/23/2026
TID #: PMP31276	Project Title: 288W, PFC, LLC and Charger	
Number: PMP31276	Rev: B	Sheet Title: LLC Resonant converter
SVN Rev: Not in version control	Assembly Variant: [No Variations]	Sheet: 2 of 5
Drawn By: R. Scibilia	File: PMP31276 Rev B LLC Schematic.SchDoc	Size: B
Engineer: R. Scibilia	Contact: http://www.ti.com/support	

Texas Instruments and/or its licensors do not warrant the accuracy or completeness of this specification or any information contained therein. Texas Instruments and/or its licensors do not warrant that this design will meet the specifications, will be suitable for your application or fit for any particular purpose, or will operate in an implementation. Texas Instruments and/or its licensors do not warrant that the design is production worthy. You should completely validate and test your design implementation to confirm the system functionality for your application.





Assembly Notes:

"DNP" = "do not populate"

Ref. Desg. > 199 should be added on the board

Variant V1: using BQ25751

Variant V2: stand alone (DNP BQ25751 the whole section)

In case power path is not used, do not populate Q15, Q16, Q17, Q18, D22 and populate J11

PMP31276RevB is built on PMP31276RevA

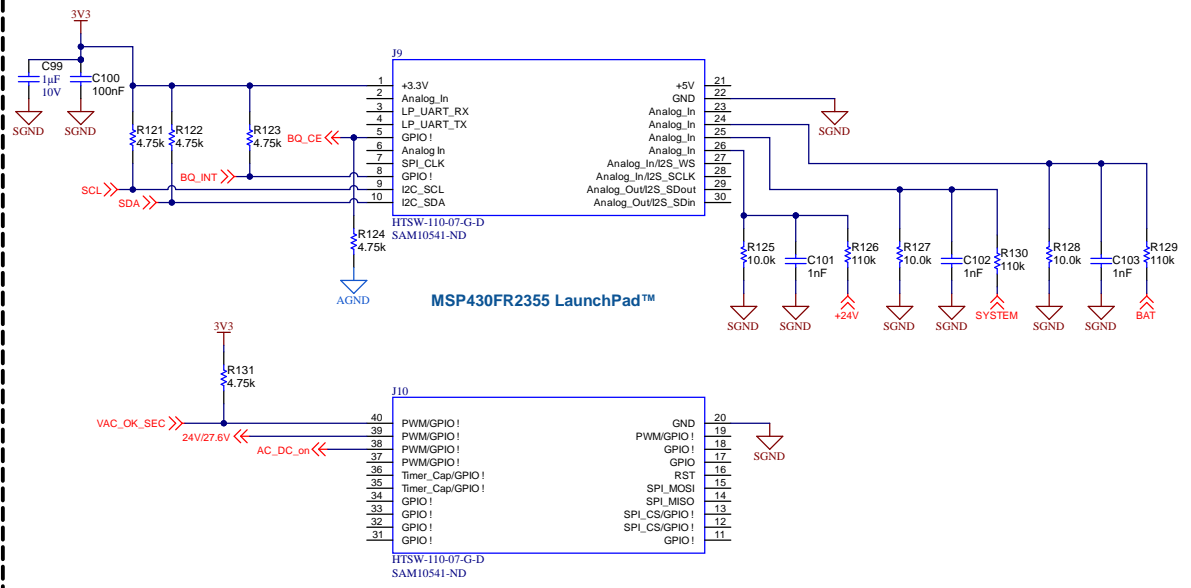
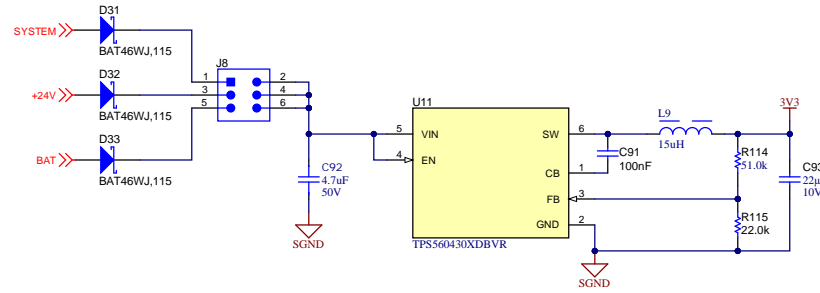
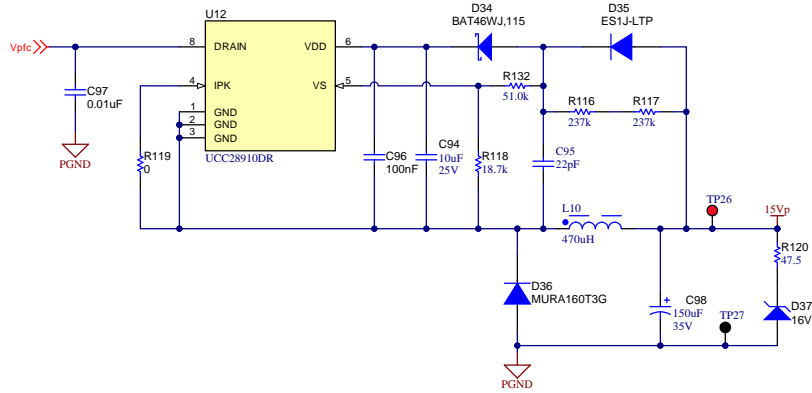
Texas Instruments and/or its licensors do not warrant the accuracy or completeness of this specification or any information contained therein. Texas Instruments and/or its licensors do not warrant that this design will meet the specifications, will be suitable for your application or fit for any particular purpose, or will operate in an implementation. Texas Instruments and/or its licensors do not warrant that the design is production worthy. You should completely validate and test your design implementation to confirm the system functionality for your application.

Designed for: Public Release		Mod. Date: 6/23/2026	
Project Title: 288W, PFC, LLC and Charger		Sheet Title: Battery charger	
Number: PMP31276	Rev: B	Assembly Variant: [No Variations]	Sheet: 3 of 5
SVN Rev: Not in version control		File: PMP31276 Rev. B Charger Schematic.SchDoc	Size: B
Drawn By: R. Scibilia		Contact: http://www.ti.com/support	
Engineer: R. Scibilia		© Texas Instruments, 2026	



Primary Side

Secondary Side



PMP31276RevB is built on PMP31276RevA

Assembly Notes:

"DNP" = "do not populate"

Ref. Desg. > 199 should be added on the board

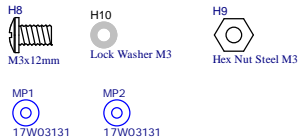
Add jumper between pins 1 and 2 of J8

Texas Instruments and/or its licensors do not warrant the accuracy or completeness of this specification or any information contained therein. Texas Instruments and/or its licensors do not warrant that this design will meet the specifications, will be suitable for your application or fit for any particular purpose, or will operate in an implementation. Texas Instruments and/or its licensors do not warrant that the design is production worthy. You should completely validate and test your design implementation to confirm the system functionality for your application.

Designed for: Public Release		Mod. Date: 6/23/2026	
Project Title: 288W, PFC, LLC and Charger		Sheet Title: LaunchPad / Aux supply	
Number: PMP31276	Rev: B	Assembly Variant: [No Variations]	Sheet: 4 of 5
SVN Rev: Not in version control		File: PMP31276 Rev. B LaunchPad Schematic.SchDoc	
Drawn By: R. Scibilia		Engineer: R. Scibilia	
Contact: http://www.ti.com/support		http://www.ti.com	



© Texas Instruments, 2026



PMP31276RevB is built on PMP31276RevA

PRELIMINARY

Texas Instruments and/or its licensors do not warrant the accuracy or completeness of this specification or any information contained therein. Texas Instruments and/or its licensors do not warrant that this design will meet the specifications, will be suitable for your application or fit for any particular purpose, or will operate in an implementation. Texas Instruments and/or its licensors do not warrant that the design is production worthy. You should completely validate and test your design implementation to confirm the system functionality for your application.

Orderable: N/A	Designed for: Public Release	Mod. Date: 6/23/2026	 TEXAS INSTRUMENTS http://www.ti.com <small>© Texas Instruments, 2026</small>
TID #:	Project Title: 288W, PFC, LLC and Charger		
Number: PMP31276	Rev: B	Sheet Title: Hardware	
SVN Rev: Not in version control	Assembly Variant: [No Variations]	Sheet: 5 of 5	
Drawn By: R. Scibilia	File: PMP31276 Rev. B Hardware.SchDoc	Size: B	
Engineer: R. Scibilia	Contact: http://www.ti.com/support		

IMPORTANT NOTICE AND DISCLAIMER

TI PROVIDES TECHNICAL AND RELIABILITY DATA (INCLUDING DATASHEETS), DESIGN RESOURCES (INCLUDING REFERENCE DESIGNS), APPLICATION OR OTHER DESIGN ADVICE, WEB TOOLS, SAFETY INFORMATION, AND OTHER RESOURCES "AS IS" AND WITH ALL FAULTS, AND DISCLAIMS ALL WARRANTIES, EXPRESS AND IMPLIED, INCLUDING WITHOUT LIMITATION ANY IMPLIED WARRANTIES OF MERCHANTABILITY, FITNESS FOR A PARTICULAR PURPOSE OR NON-INFRINGEMENT OF THIRD PARTY INTELLECTUAL PROPERTY RIGHTS.

These resources are intended for skilled developers designing with TI products. You are solely responsible for (1) selecting the appropriate TI products for your application, (2) designing, validating and testing your application, and (3) ensuring your application meets applicable standards, and any other safety, security, regulatory or other requirements.

These resources are subject to change without notice. TI grants you permission to use these resources only for development of an application that uses the TI products described in the resource. Other reproduction and display of these resources is prohibited. No license is granted to any other TI intellectual property right or to any third party intellectual property right. TI disclaims responsibility for, and you fully indemnify TI and its representatives against any claims, damages, costs, losses, and liabilities arising out of your use of these resources.

TI's products are provided subject to [TI's Terms of Sale](#), [TI's General Quality Guidelines](#), or other applicable terms available either on ti.com or provided in conjunction with such TI products. TI's provision of these resources does not expand or otherwise alter TI's applicable warranties or warranty disclaimers for TI products. Unless TI explicitly designates a product as custom or customer-specified, TI products are standard, catalog, general purpose devices.

TI objects to and rejects any additional or different terms you may propose.

Copyright © 2026, Texas Instruments Incorporated

Last updated 10/2025