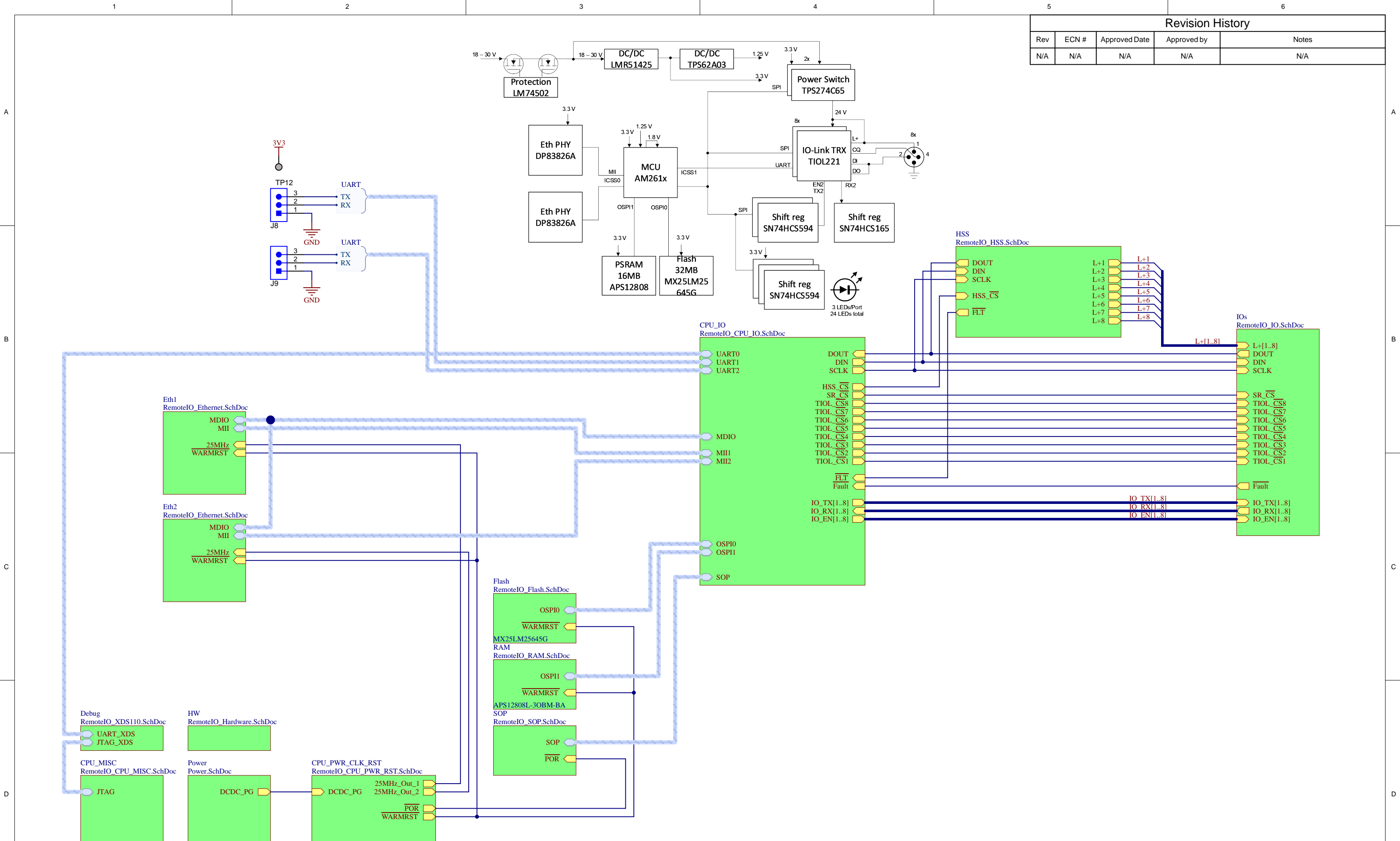


Revision History				
Rev	ECN #	Approved Date	Approved by	Notes
N/A	N/A	N/A	N/A	N/A

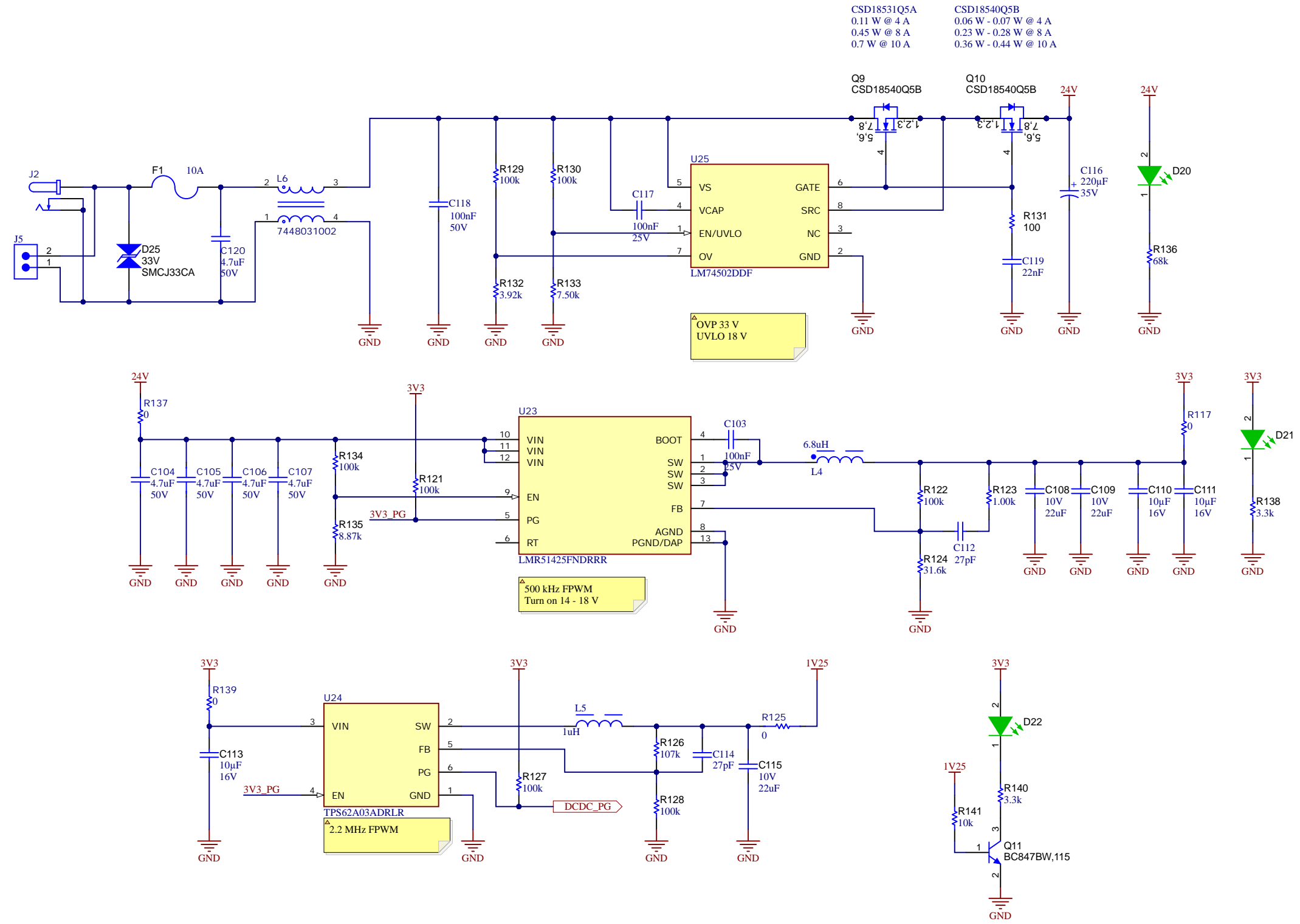


Texas Instruments and/or its licensors do not warrant the accuracy or completeness of this specification or any information contained therein. Texas Instruments and/or its licensors do not warrant that this design will meet the specifications, will be suitable for your application or fit for any particular purpose, or will operate in an implementation. Texas Instruments and/or its licensors do not warrant that the design is production worthy. You should completely validate and test your design implementation to confirm the system functionality for your application.

Orderable: NA	Designed for: Public Release	Mod. Date: 12/3/2025
TID #: N/A	Project Title: AM261 Remote IO	
Number: TIDA-011002	Rev: E2	Sheet Title:
SVN Rev: 16177	Assembly Variant: 001	Sheet: 1 of 14
Drawn By:	File: RemoteIO.SchDoc	Size: B
Engineer: Steffen Graf	Contact: http://www.ti.com/support	



© Texas Instruments 2025



CSD18531Q5A
0.11 W @ 4 A
0.45 W @ 8 A
0.7 W @ 10 A

CSD18540Q5B
0.06 W - 0.07 W @ 4 A
0.23 W - 0.28 W @ 8 A
0.36 W - 0.44 W @ 10 A

△ OVP 33 V
UVLO 18 V

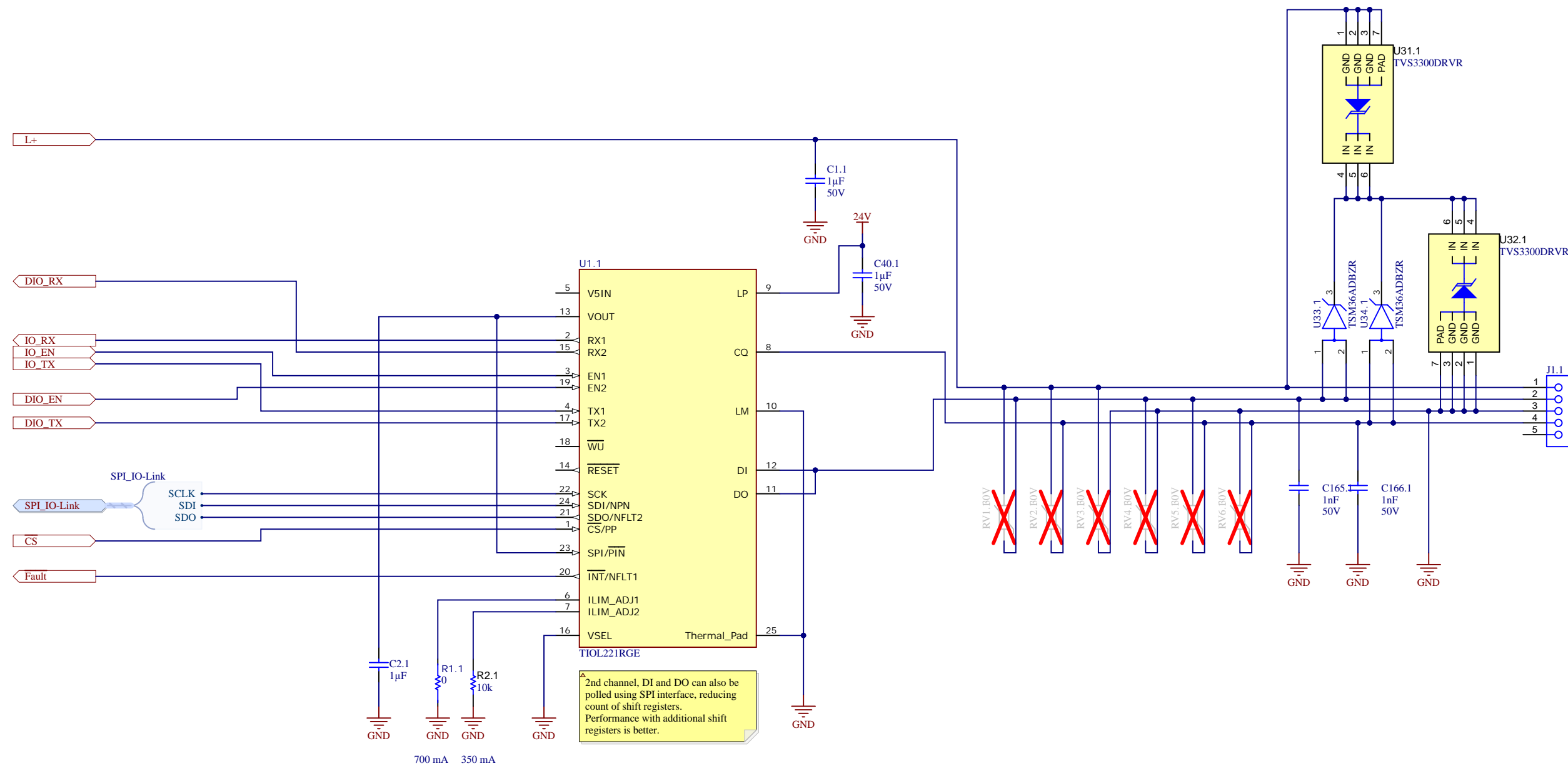
△ 500 kHz FPWM
Turn on 14 - 18 V

△ 2.2 MHz FPWM

Orderable: NA	Designed for: Public Release	Mod. Date: 4/16/2026
TID #: N/A	Project Title: AM261 Remote IO	
Number: TIDA-011002	Rev: E2	Sheet Title:
SVN Rev:	Assembly Variant: 001	Sheet: 2 of 14
Drawn By:	File: Power.SchDoc	Size: B
Engineer: Steffen Graf	Contact: http://www.ti.com/support	

Texas Instruments and/or its licensors do not warrant the accuracy or completeness of this specification or any information contained therein. Texas Instruments and/or its licensors do not warrant that this design will meet the specifications, will be suitable for your application or fit for any particular purpose, or will operate in an implementation. Texas Instruments and/or its licensors do not warrant that the design is production worthy. You should completely validate and test your design implementation to confirm the system functionality for your application.





2nd channel, DI and DO can also be polled using SPI interface, reducing count of shift registers. Performance with additional shift registers is better.

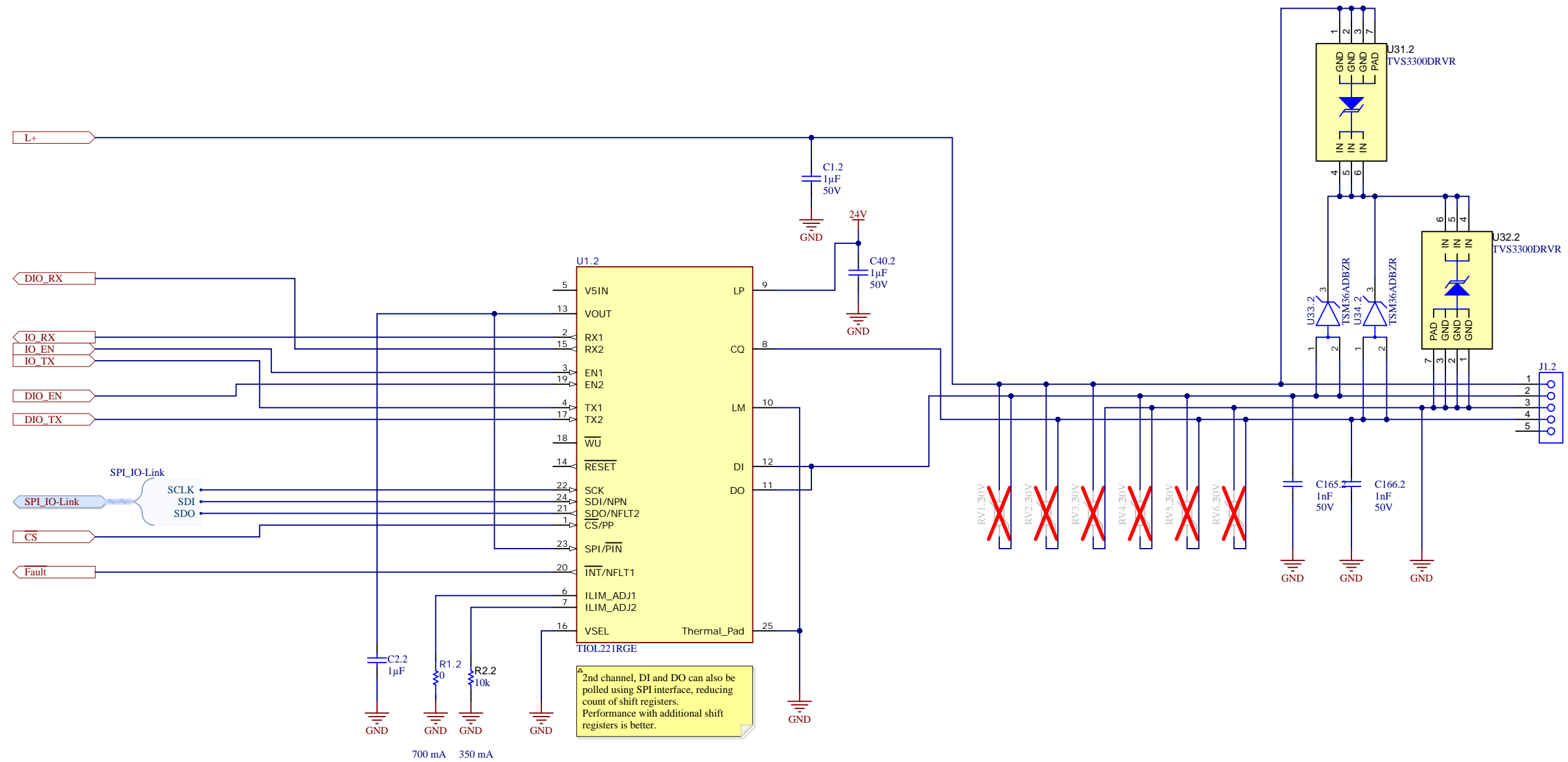
700 mA 350 mA

Different protections to test

Orderable: NA	Designed for: Public Release	Mod. Date: 4/13/2026
TID #: N/A	Project Title: AM261 Remote IO	
Number: TIDA-011002	Rev: E2	Sheet Title:
SVN Rev:	Assembly Variant: 001	Sheet: 3 of 14
Drawn By:	File: RemoteIO_IOLinkPort.SchDoc	Size: B
Engineer: Steffen Graf	Contact: http://www.ti.com/support	

Texas Instruments and/or its licensors do not warrant the accuracy or completeness of this specification or any information contained therein. Texas Instruments and/or its licensors do not warrant that this design will meet the specifications, will be suitable for your application or fit for any particular purpose, or will operate in an implementation. Texas Instruments and/or its licensors do not warrant that the design is production worthy. You should completely validate and test your design implementation to confirm the system functionality for your application.



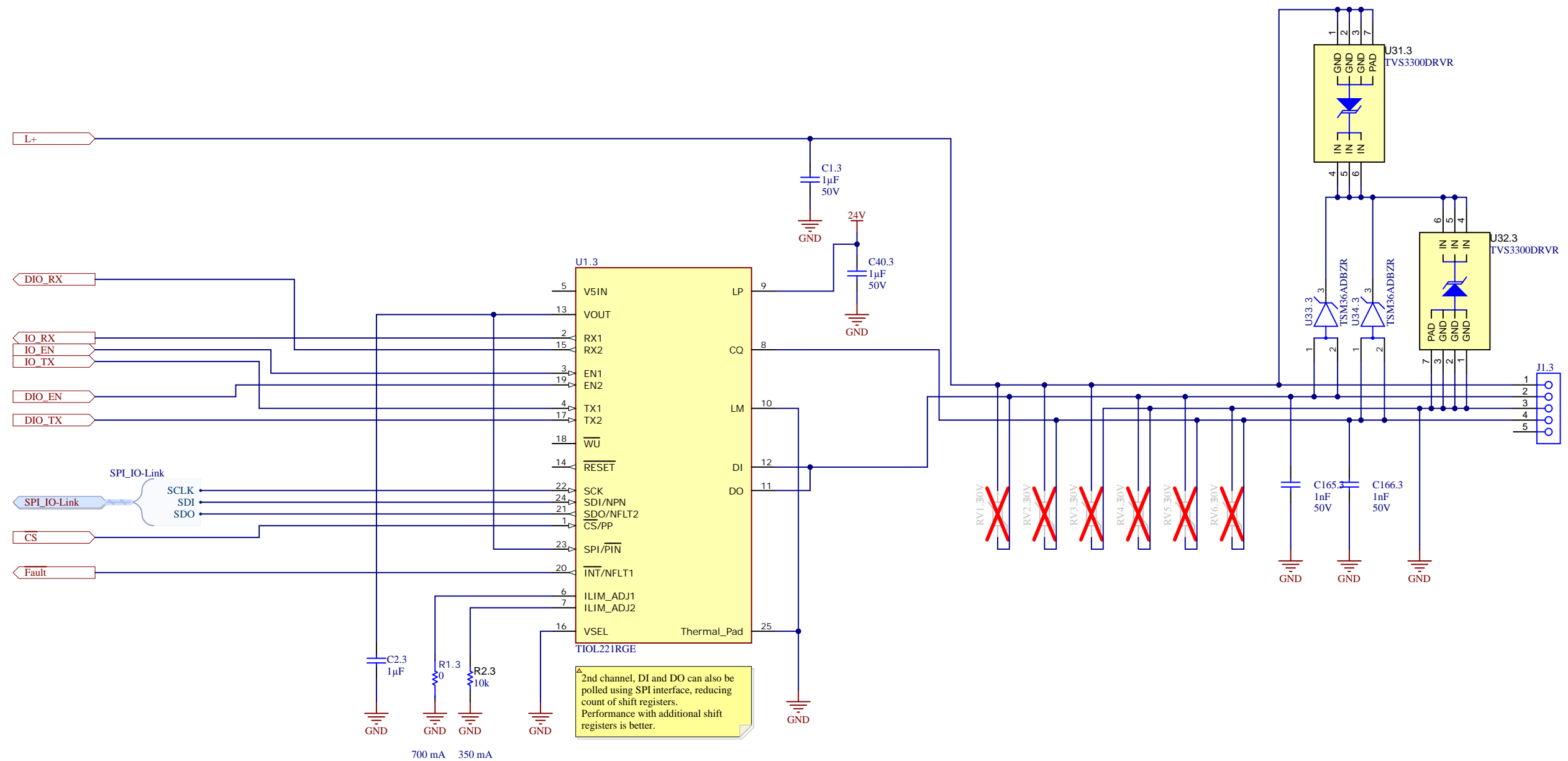


2nd channel, DI and DO can also be polled using SPI interface, reducing count of shift registers. Performance with additional shift registers is better.

Different protections to test

Orderable: NA	Designed for: Public Release	Mod. Date: 4/13/2026
TID #: N/A	Project Title: AM261 Remote IO	
Number: TIDA-011002	Rev: E2	Sheet Title:
SVN Rev:	Assembly Variant: 001	Sheet: 3 of 14
Drawn By:	File: RemoteIO_IOLinkPort.SchDoc	Size: B
Engineer: Steffen Graf	Contact: http://www.ti.com/support	

Texas Instruments and/or its licensors do not warrant the accuracy or completeness of this specification or any information contained therein. Texas Instruments and/or its licensors do not warrant that this design will meet the specifications, will be suitable for your application or fit for any particular purpose, or will operate in an implementation. Texas Instruments and/or its licensors do not warrant that the design is production worthy. You should completely validate and test your design implementation to confirm the system functionality for your application.



2nd channel, DI and DO can also be polled using SPI interface, reducing count of shift registers. Performance with additional shift registers is better.

700 mA 350 mA

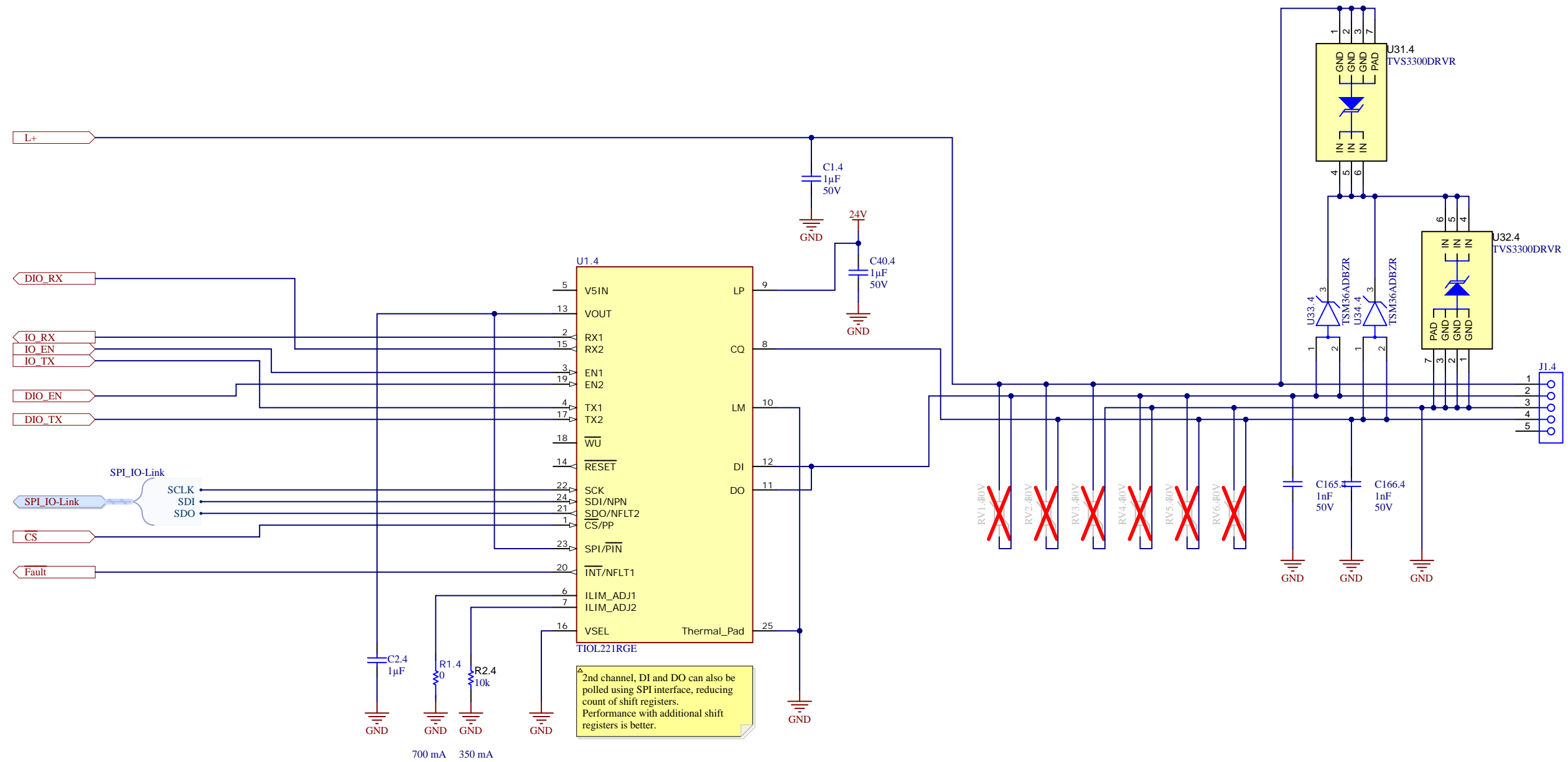
Different protections to test

Orderable: NA	Designed for: Public Release	Mod. Date: 4/13/2026
TID #: N/A	Project Title: AM261 Remote IO	
Number: TIDA-011002	Rev: E2	Sheet Title:
SVN Rev:	Assembly Variant: 001	Sheet: 3 of 14
Drawn By:	File: RemoteIO_IOLinkPort.SchDoc	Size: B
Engineer: Steffen Graf	Contact: http://www.ti.com/support	

Texas Instruments and/or its licensors do not warrant the accuracy or completeness of this specification or any information contained therein. Texas Instruments and/or its licensors do not warrant that this design will meet the specifications, will be suitable for your application or fit for any particular purpose, or will operate in an implementation. Texas Instruments and/or its licensors do not warrant that the design is production worthy. You should completely validate and test your design implementation to confirm the system functionality for your application.



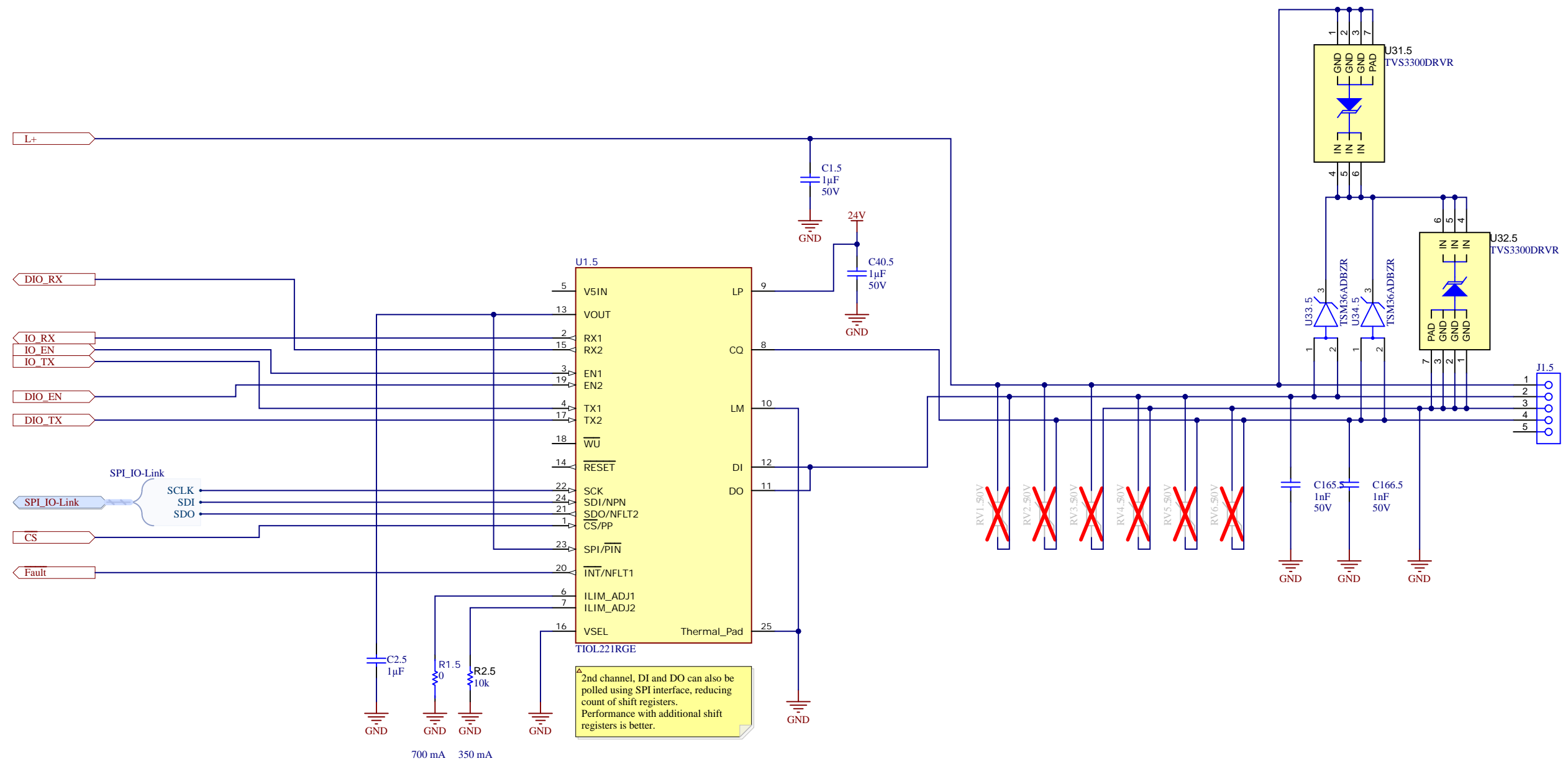
© Texas Instruments 2025



Different protections to test

Orderable: NA	Designed for: Public Release	Mod. Date: 4/13/2026
TID #: N/A	Project Title: AM261 Remote IO	
Number: TIDA-011002	Rev: E2	Sheet Title:
SVN Rev:	Assembly Variant: 001	Sheet: 3 of 14
Drawn By:	File: RemoteIO_IOLinkPort.SchDoc	Size: B
Engineer: Steffen Graf	Contact: http://www.ti.com/support	

Texas Instruments and/or its licensors do not warrant the accuracy or completeness of this specification or any information contained therein. Texas Instruments and/or its licensors do not warrant that this design will meet the specifications, will be suitable for your application or fit for any particular purpose, or will operate in an implementation. Texas Instruments and/or its licensors do not warrant that the design is production worthy. You should completely validate and test your design implementation to confirm the system functionality for your application.

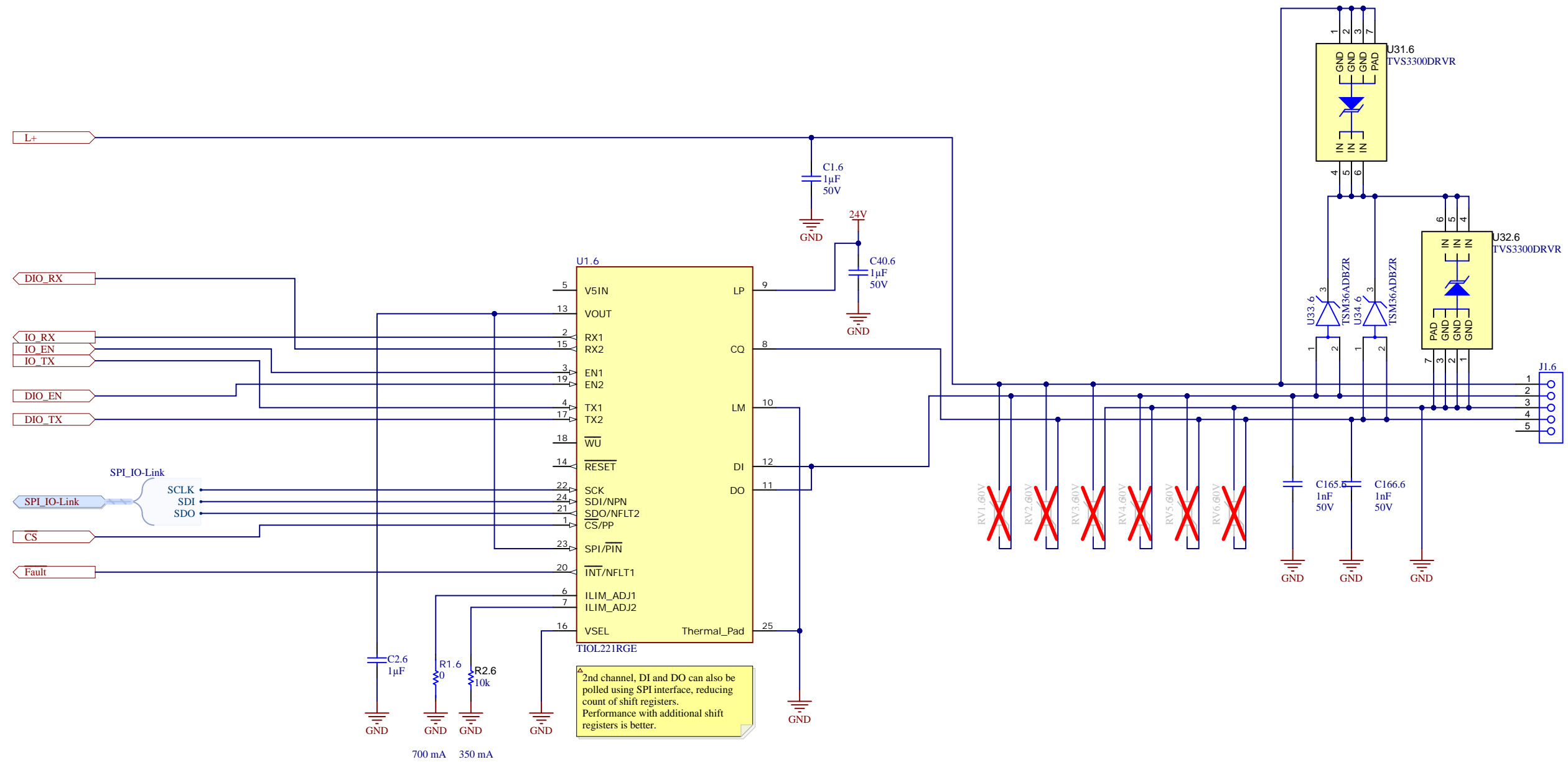


2nd channel, DI and DO can also be polled using SPI interface, reducing count of shift registers. Performance with additional shift registers is better.

Different protections to test

Orderable: NA	Designed for: Public Release	Mod. Date: 4/13/2026
TID #: N/A	Project Title: AM261 Remote IO	
Number: TIDA-011002	Rev: E2	Sheet Title:
SVN Rev:	Assembly Variant: 001	Sheet: 3 of 14
Drawn By:	File: RemoteIO_IOLinkPort.SchDoc	Size: B
Engineer: Steffen Graf	Contact: http://www.ti.com/support	

Texas Instruments and/or its licensors do not warrant the accuracy or completeness of this specification or any information contained therein. Texas Instruments and/or its licensors do not warrant that this design will meet the specifications, will be suitable for your application or fit for any particular purpose, or will operate in an implementation. Texas Instruments and/or its licensors do not warrant that the design is production worthy. You should completely validate and test your design implementation to confirm the system functionality for your application.

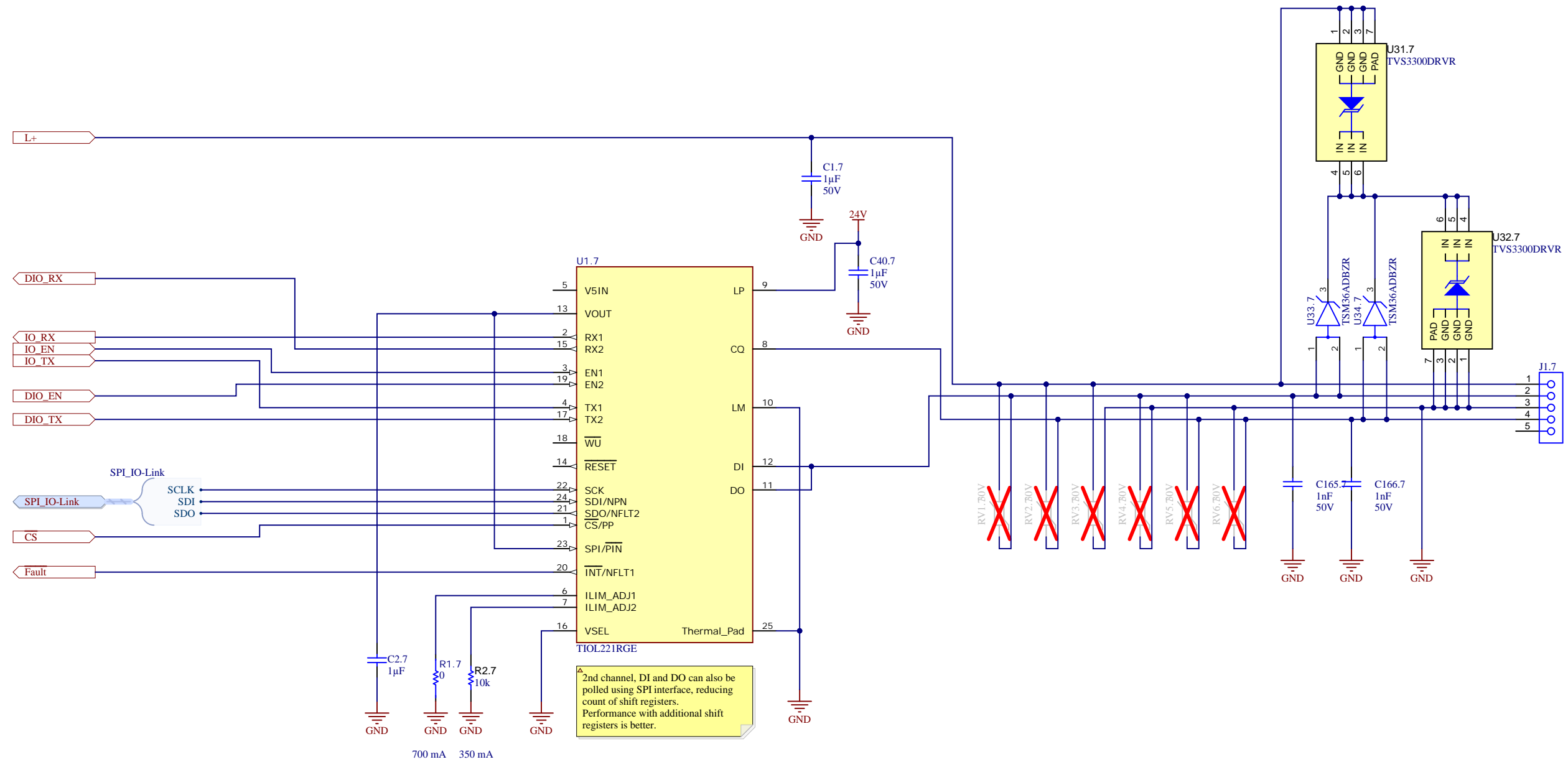


2nd channel, DI and DO can also be polled using SPI interface, reducing count of shift registers. Performance with additional shift registers is better.

Different protections to test

Orderable: NA	Designed for: Public Release	Mod. Date: 4/13/2026
TID #: N/A	Project Title: AM261 Remote IO	
Number: TIDA-011002	Rev: E2	Sheet Title:
SVN Rev:	Assembly Variant: 001	Sheet: 3 of 14
Drawn By:	File: RemoteIO_IOLinkPort.SchDoc	Size: B
Engineer: Steffen Graf	Contact: http://www.ti.com/support	

Texas Instruments and/or its licensors do not warrant the accuracy or completeness of this specification or any information contained therein. Texas Instruments and/or its licensors do not warrant that this design will meet the specifications, will be suitable for your application or fit for any particular purpose, or will operate in an implementation. Texas Instruments and/or its licensors do not warrant that the design is production worthy. You should completely validate and test your design implementation to confirm the system functionality for your application.

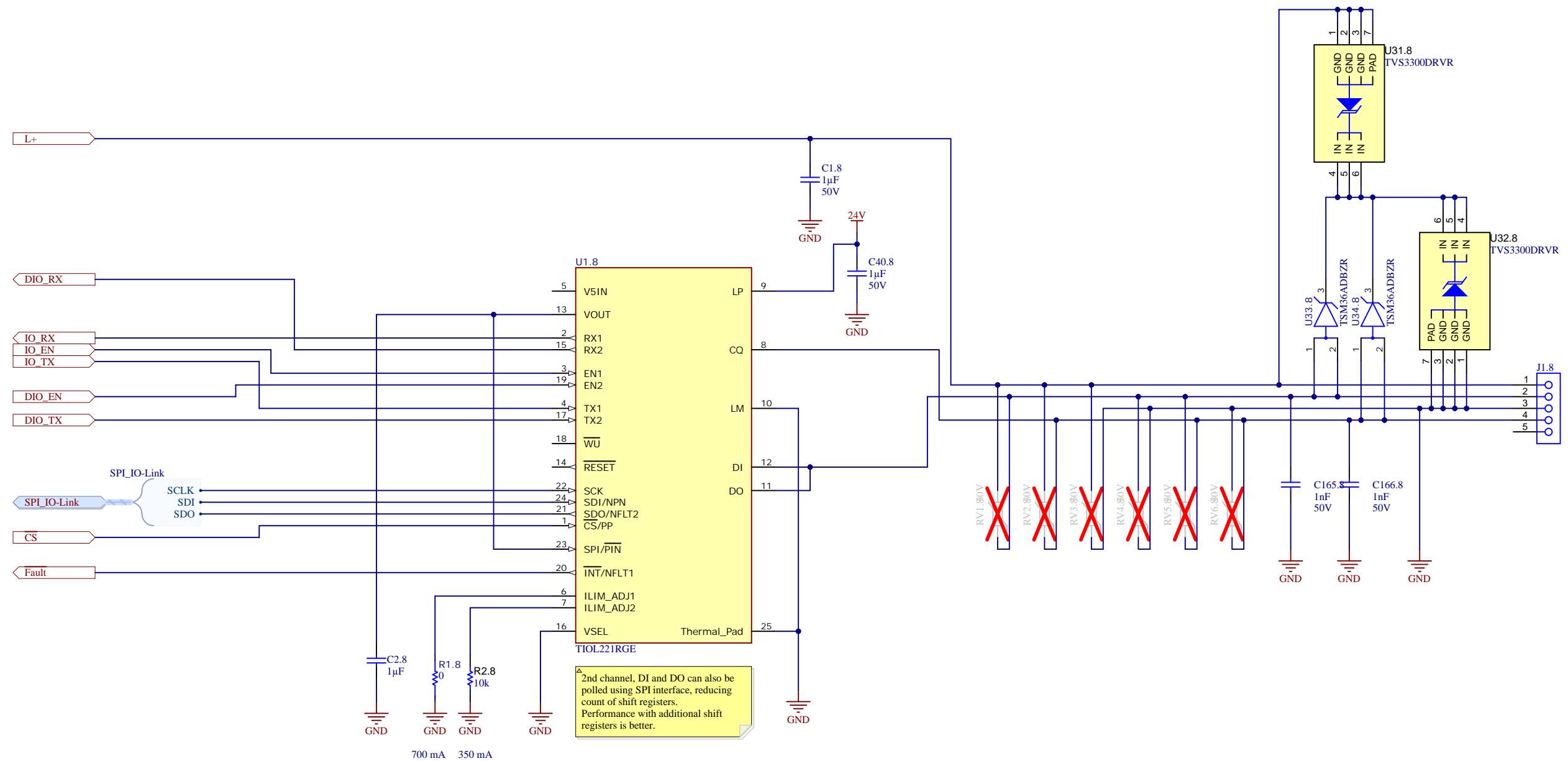


2nd channel, DI and DO can also be polled using SPI interface, reducing count of shift registers. Performance with additional shift registers is better.

Different protections to test

Orderable: NA	Designed for: Public Release	Mod. Date: 4/13/2026
TID #: N/A	Project Title: AM261 Remote IO	
Number: TIDA-011002	Rev: E2	Sheet Title:
SVN Rev:	Assembly Variant: 001	Sheet: 3 of 14
Drawn By:	File: RemoteIO_IOLinkPort_SchDoc	Size: B
Engineer: Steffen Graf	Contact: http://www.ti.com/support	

Texas Instruments and/or its licensors do not warrant the accuracy or completeness of this specification or any information contained therein. Texas Instruments and/or its licensors do not warrant that this design will meet the specifications, will be suitable for your application or fit for any particular purpose, or will operate in an implementation. Texas Instruments and/or its licensors do not warrant that the design is production worthy. You should completely validate and test your design implementation to confirm the system functionality for your application.

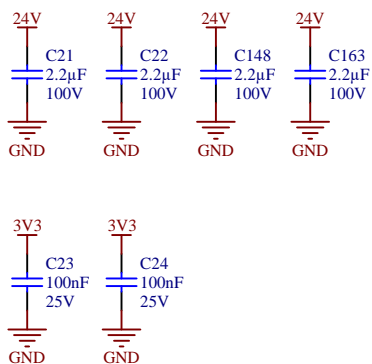
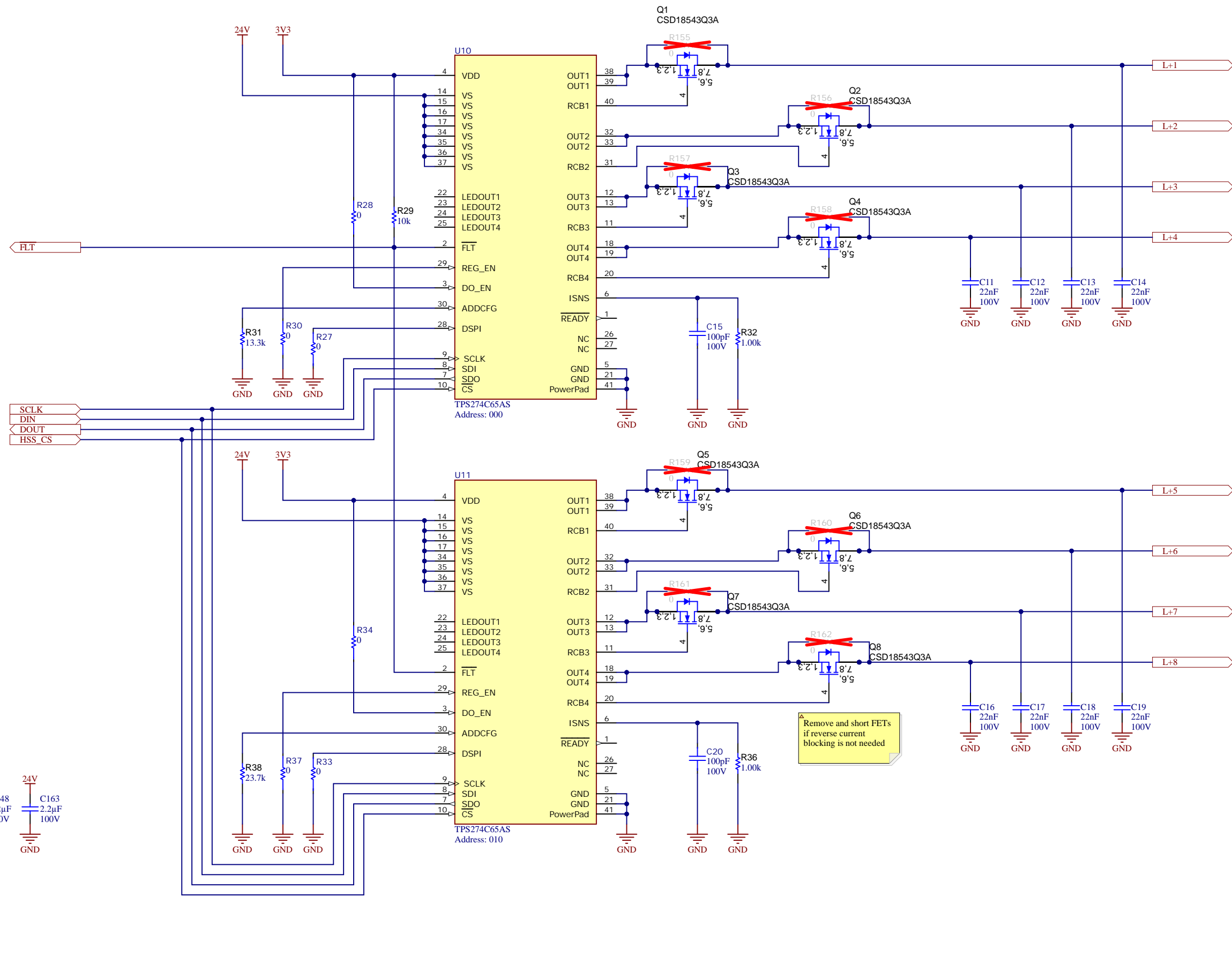


2nd channel, DI and DO can also be polled using SPI interface, reducing count of shift registers. Performance with additional shift registers is better.

Different protections to test

Orderable: NA	Designed for: Public Release	Mod. Date: 4/13/2026
TID #: N/A	Project Title: AM261 Remote IO	
Number: TIDA-011002	Rev: E2	Sheet Title:
SVN Rev:	Assembly Variant: 001	Sheet: 3 of 14
Drawn By:	File: RemoteIO_IOLinkPort.SchDoc	Size: B
Engineer: Steffen Graf	Contact: http://www.ti.com/support	

Texas Instruments and/or its licensors do not warrant the accuracy or completeness of this specification or any information contained therein. Texas Instruments and/or its licensors do not warrant that this design will meet the specifications, will be suitable for your application or fit for any particular purpose, or will operate in an implementation. Texas Instruments and/or its licensors do not warrant that the design is production worthy. You should completely validate and test your design implementation to confirm the system functionality for your application.

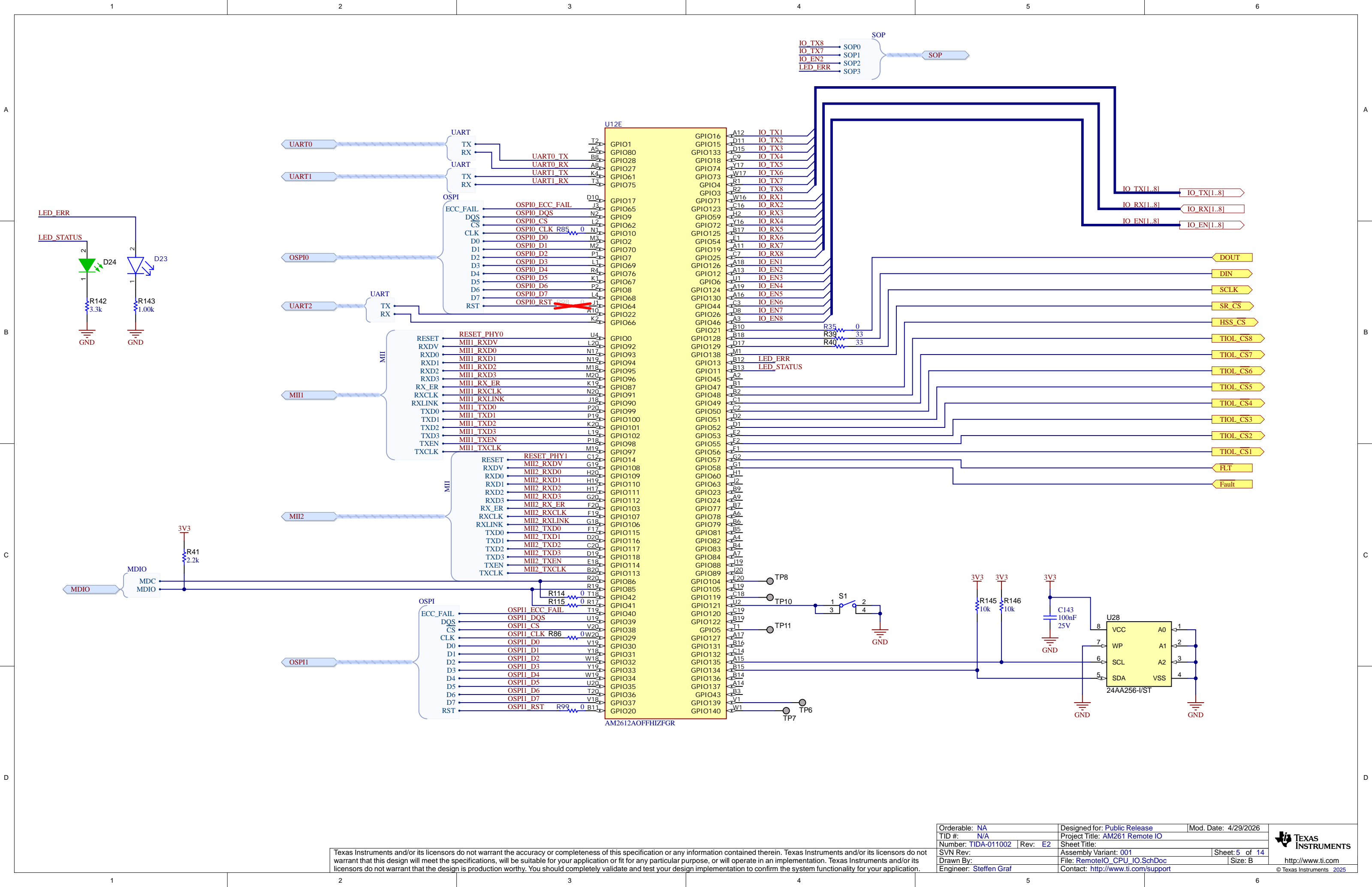


Remove and short FETs if reverse current blocking is not needed

Texas Instruments and/or its licensors do not warrant the accuracy or completeness of this specification or any information contained therein. Texas Instruments and/or its licensors do not warrant that this design will meet the specifications, will be suitable for your application or fit for any particular purpose, or will operate in an implementation. Texas Instruments and/or its licensors do not warrant that the design is production worthy. You should completely validate and test your design implementation to confirm the system functionality for your application.

Orderable: NA	Designed for: Public Release	Mod. Date: 2/27/2026
TID #: N/A	Project Title: AM261 Remote IO	
Number: TIDA-011002	Rev: E2	Sheet: 4 of 14
Drawn By:	File: RemoteIO_HSS.SchDoc	Size: B
Engineer: Steffen Graf	Contact: http://www.ti.com/support	

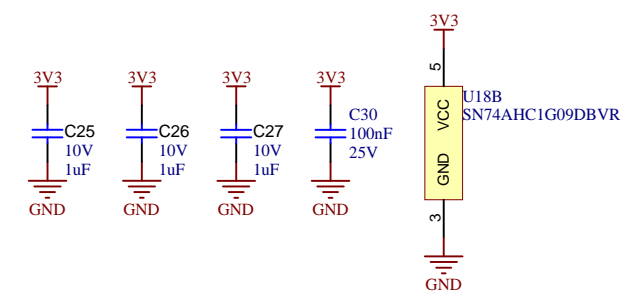
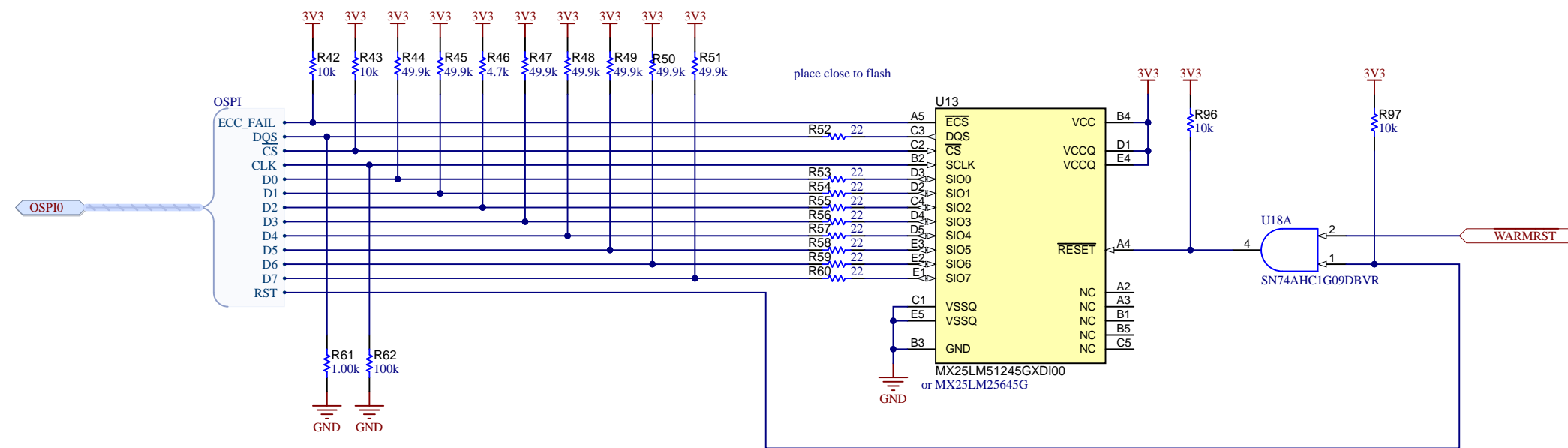




Texas Instruments and/or its licensors do not warrant the accuracy or completeness of this specification or any information contained therein. Texas Instruments and/or its licensors do not warrant that this design will meet the specifications, will be suitable for your application or fit for any particular purpose, or will operate in an implementation. Texas Instruments and/or its licensors do not warrant that the design is production worthy. You should completely validate and test your design implementation to confirm the system functionality for your application.

Orderable: NA	Designed for: Public Release	Mod. Date: 4/29/2026
TID #: N/A	Project Title: AM2612 Remote IO	
Number: TIDA-011002	Rev: E2	Sheet: 5 of 14
SVN Rev:	Assembly Variant: 001	Size: B
Drawn By:	File: RemoteIO_CPU_IO.SchDoc	Contact: http://www.ti.com/support
Engineer: Steffen Graf		

TEXAS INSTRUMENTS
http://www.ti.com
© Texas Instruments 2025

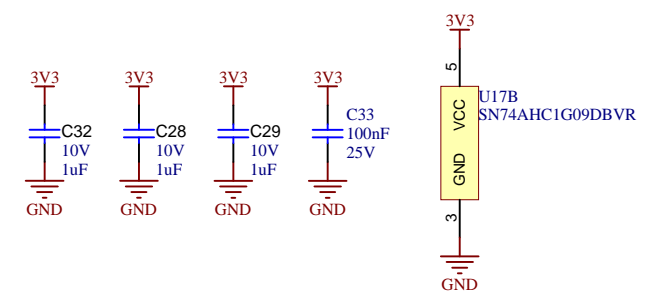
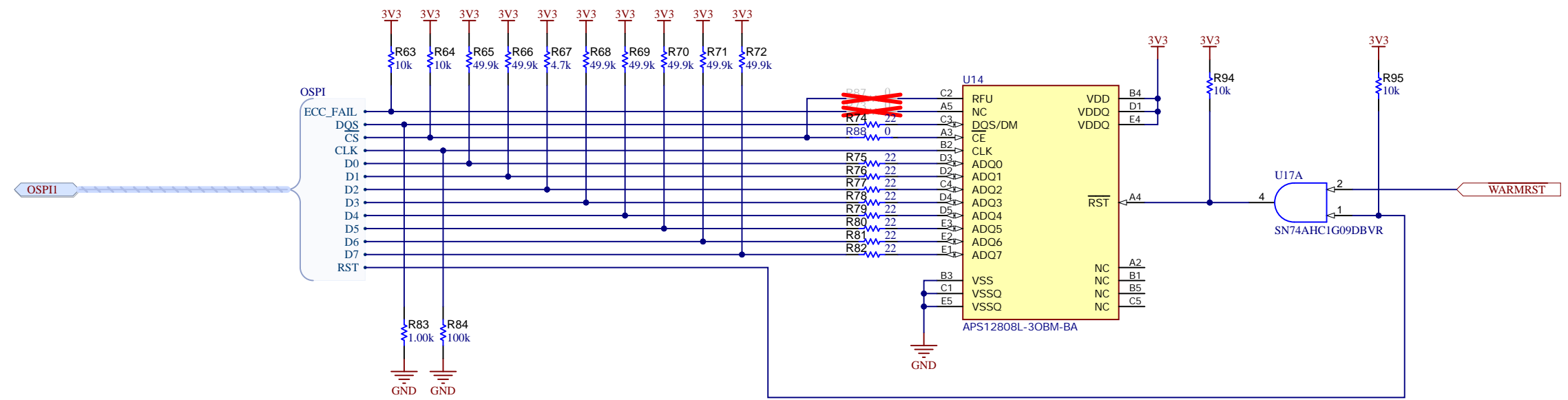


Texas Instruments and/or its licensors do not warrant the accuracy or completeness of this specification or any information contained therein. Texas Instruments and/or its licensors do not warrant that this design will meet the specifications, will be suitable for your application or fit for any particular purpose, or will operate in an implementation. Texas Instruments and/or its licensors do not warrant that the design is production worthy. You should completely validate and test your design implementation to confirm the system functionality for your application.

Orderable: NA	Designed for: Public Release	Mod. Date: 10/28/2025
TID #: N/A	Project Title: AM261 Remote IO	
Number: TIDA-011002	Rev: E2	Sheet Title:
SVN Rev:	Assembly Variant: 001	Sheet: 6 of 14
Drawn By:	File: RemoteIO_Flash.SchDoc	Size: B
Engineer: Steffen Graf	Contact: http://www.ti.com/support	



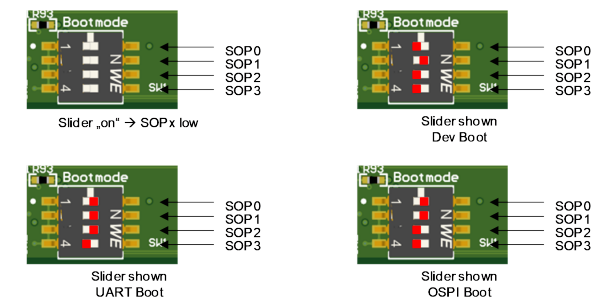
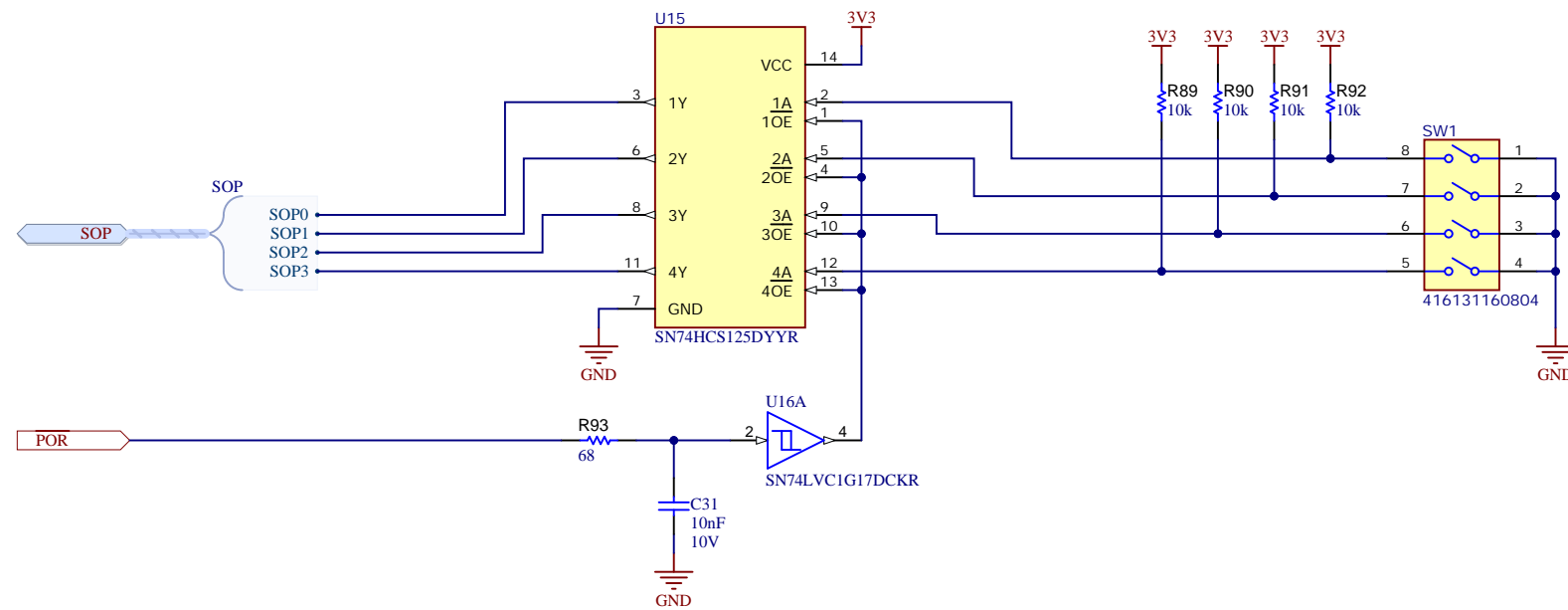
© Texas Instruments 2025



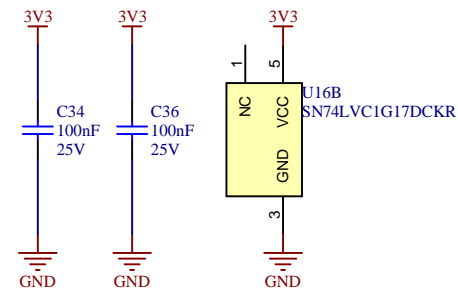
Texas Instruments and/or its licensors do not warrant the accuracy or completeness of this specification or any information contained therein. Texas Instruments and/or its licensors do not warrant that this design will meet the specifications, will be suitable for your application or fit for any particular purpose, or will operate in an implementation. Texas Instruments and/or its licensors do not warrant that the design is production worthy. You should completely validate and test your design implementation to confirm the system functionality for your application.

Orderable: NA	Designed for: Public Release	Mod. Date: 10/28/2025
TID #: N/A	Project Title: AM261 Remote IO	
Number: TIDA-011002	Rev: E2	Sheet Title:
SVN Rev:	Assembly Variant: 001	Sheet: 7 of 14
Drawn By:	File: RemoteIO_RAM.SchDoc	Size: B
Engineer: Steffen Graf	Contact: http://www.ti.com/support	



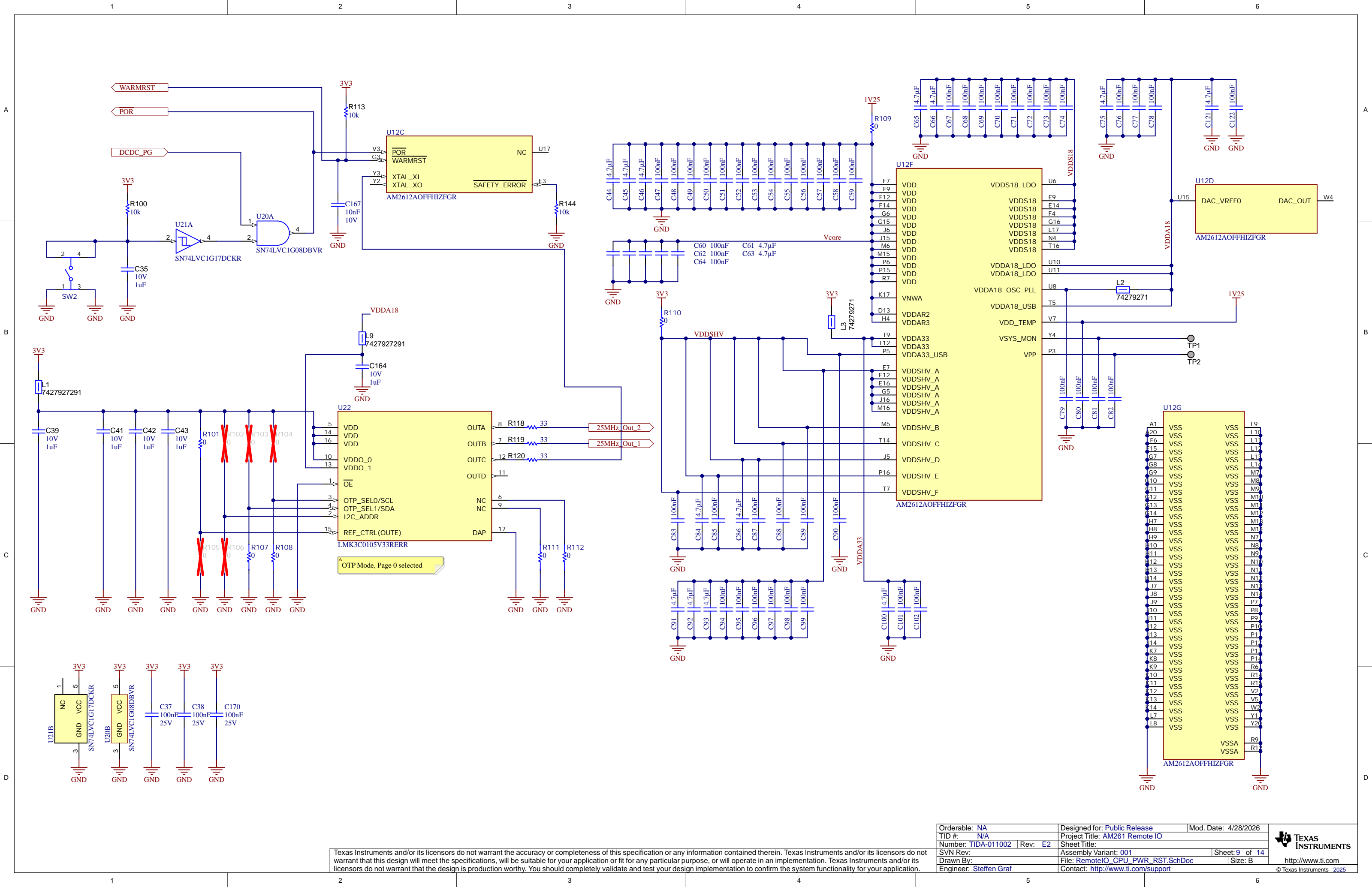


SOP[3:0] switch description:
 - Switch "off" SOPx high
 - Switch "on" SOPx low
 - SOP[3:0] = 0b0001 -> UART
 - SOP[3:0] = 0b1100 -> OSPI0(1S->8D)
 - SOP[3:0] = 0b0011 -> OSPI0(8S),SDR
 - SOP[3:0] = 0b1011 -> DevBoot



Texas Instruments and/or its licensors do not warrant the accuracy or completeness of this specification or any information contained therein. Texas Instruments and/or its licensors do not warrant that this design will meet the specifications, will be suitable for your application or fit for any particular purpose, or will operate in an implementation. Texas Instruments and/or its licensors do not warrant that the design is production worthy. You should completely validate and test your design implementation to confirm the system functionality for your application.

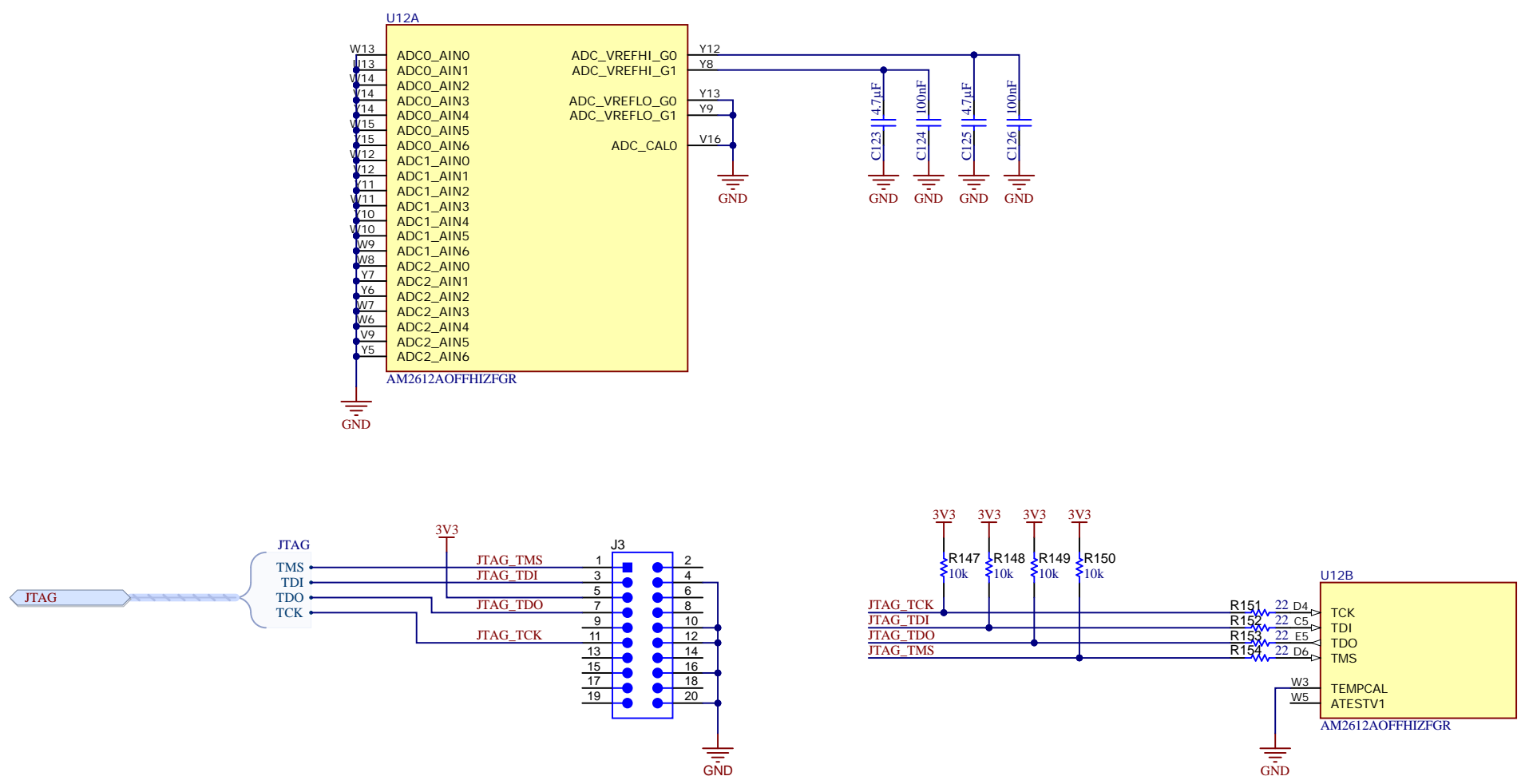
Orderable: NA	Designed for: Public Release	Mod. Date: 4/14/2026
TID #: N/A	Project Title: AM261 Remote IO	
Number: TIDA-011002	Rev: E2	Sheet: 8 of 14
SVN Rev:	Assembly Variant: 001	Size: B
Drawn By:	File: RemoteIO_SOP.SchDoc	
Engineer: Steffen Graf	Contact: http://www.ti.com/support	



Texas Instruments and/or its licensors do not warrant the accuracy or completeness of this specification or any information contained therein. Texas Instruments and/or its licensors do not warrant that this design will meet the specifications, will be suitable for your application or fit for any particular purpose, or will operate in an implementation. Texas Instruments and/or its licensors do not warrant that the design is production worthy. You should completely validate and test your design implementation to confirm the system functionality for your application.

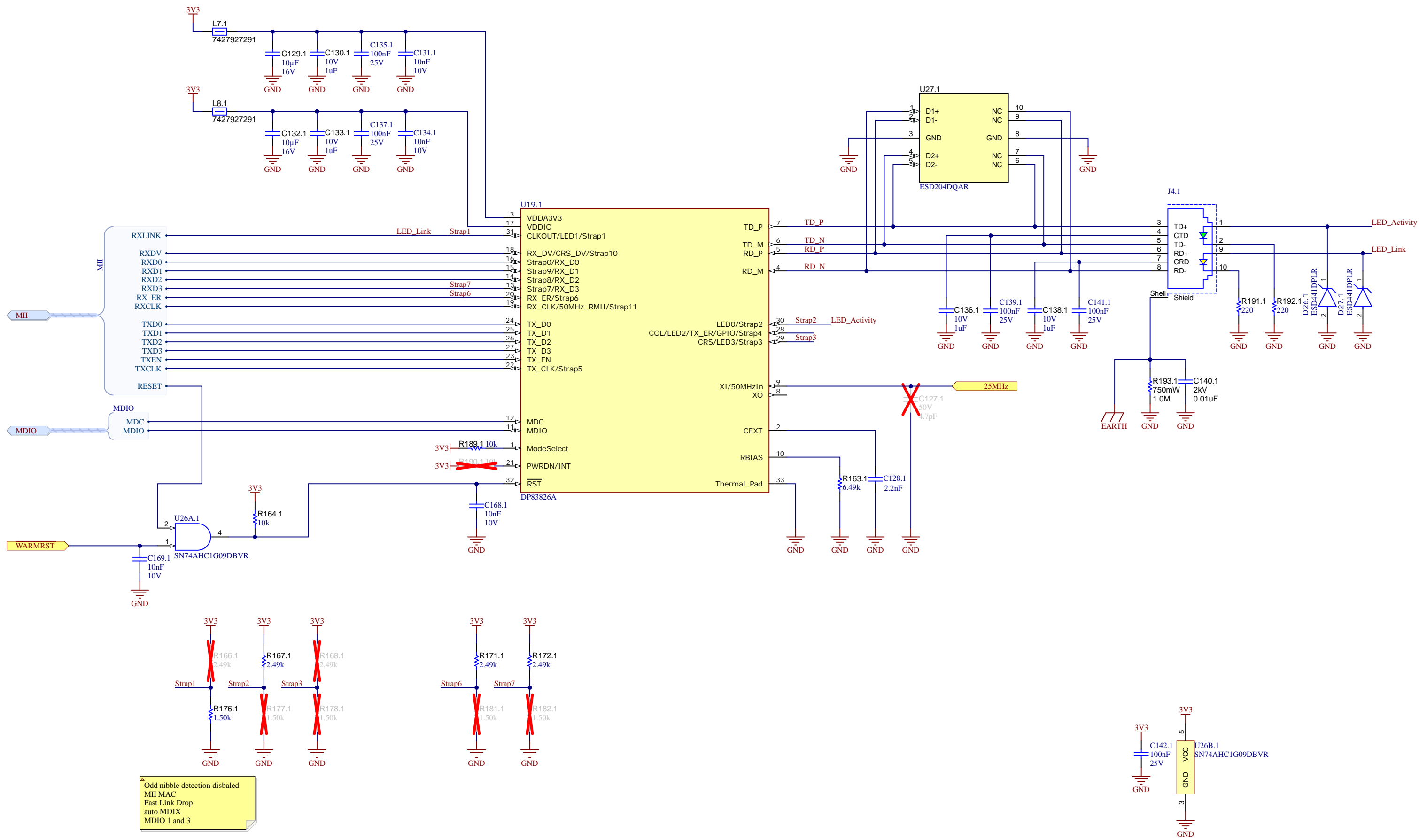
Orderable: NA	Designed for: Public Release	Mod. Date: 4/28/2026
TID #: N/A	Project Title: AM2612 Remote IO	
Number: TIDA-011002	Rev: E2	Sheet: 9 of 14
Assembly Variant: 001	File: RemoteIO_CPU_PWR_RST.SchDoc	Size: B
Drawn By:	Engineer: Steffen Graf	Contact: http://www.ti.com/support





Texas Instruments and/or its licensors do not warrant the accuracy or completeness of this specification or any information contained therein. Texas Instruments and/or its licensors do not warrant that this design will meet the specifications, will be suitable for your application or fit for any particular purpose, or will operate in an implementation. Texas Instruments and/or its licensors do not warrant that the design is production worthy. You should completely validate and test your design implementation to confirm the system functionality for your application.

Orderable: NA	Designed for: Public Release	Mod. Date: 10/23/2025
TID #: N/A	Project Title: AM261 Remote IO	
Number: TIDA-011002	Rev: E2	Sheet: 10 of 14
Assembly Variant: 001	File: RemoteIO_CPU_MISC.SchDoc	Size: B
Drawn By:	Engineer: Steffen Graf	Contact: http://www.ti.com/support

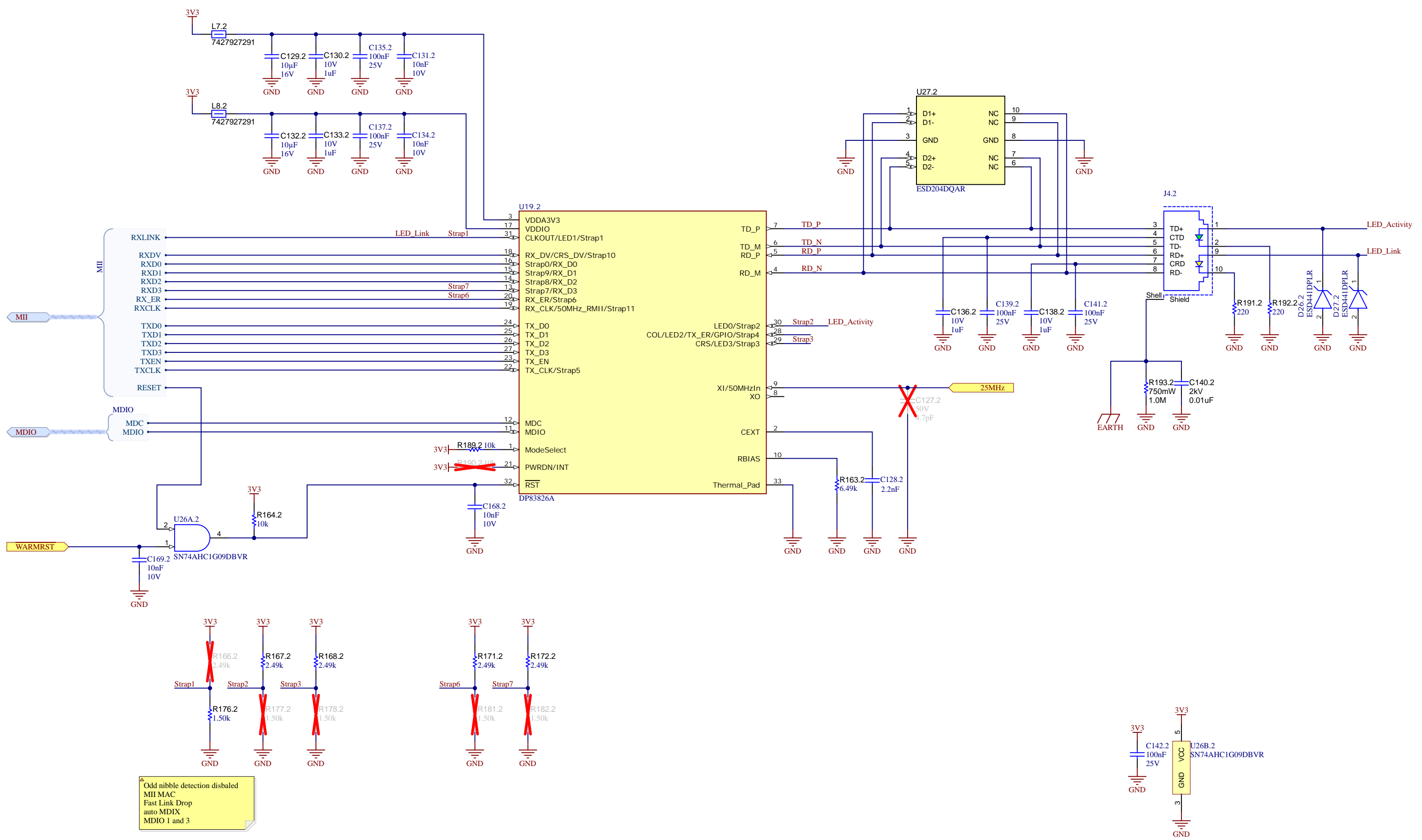


Odd nibble detection disabled
 MII MAC
 Fast Link Drop
 auto MDIX
 MDIO 1 and 3

Orderable: NA	Designed for: Public Release	Mod. Date: 4/13/2026
TID #: N/A	Project Title: AM261 Remote IO	
Number: TIDA-011002	Rev: E2	Sheet Title:
SVN Rev:	Assembly Variant: 001	Sheet: 11 of 14
Drawn By:	File: RemoteIO_Ethernet.SchDoc	Size: B
Engineer: Steffen Graf	Contact: http://www.ti.com/support	

Texas Instruments and/or its licensors do not warrant the accuracy or completeness of this specification or any information contained therein. Texas Instruments and/or its licensors do not warrant that this design will meet the specifications, will be suitable for your application or fit for any particular purpose, or will operate in an implementation. Texas Instruments and/or its licensors do not warrant that the design is production worthy. You should completely validate and test your design implementation to confirm the system functionality for your application.



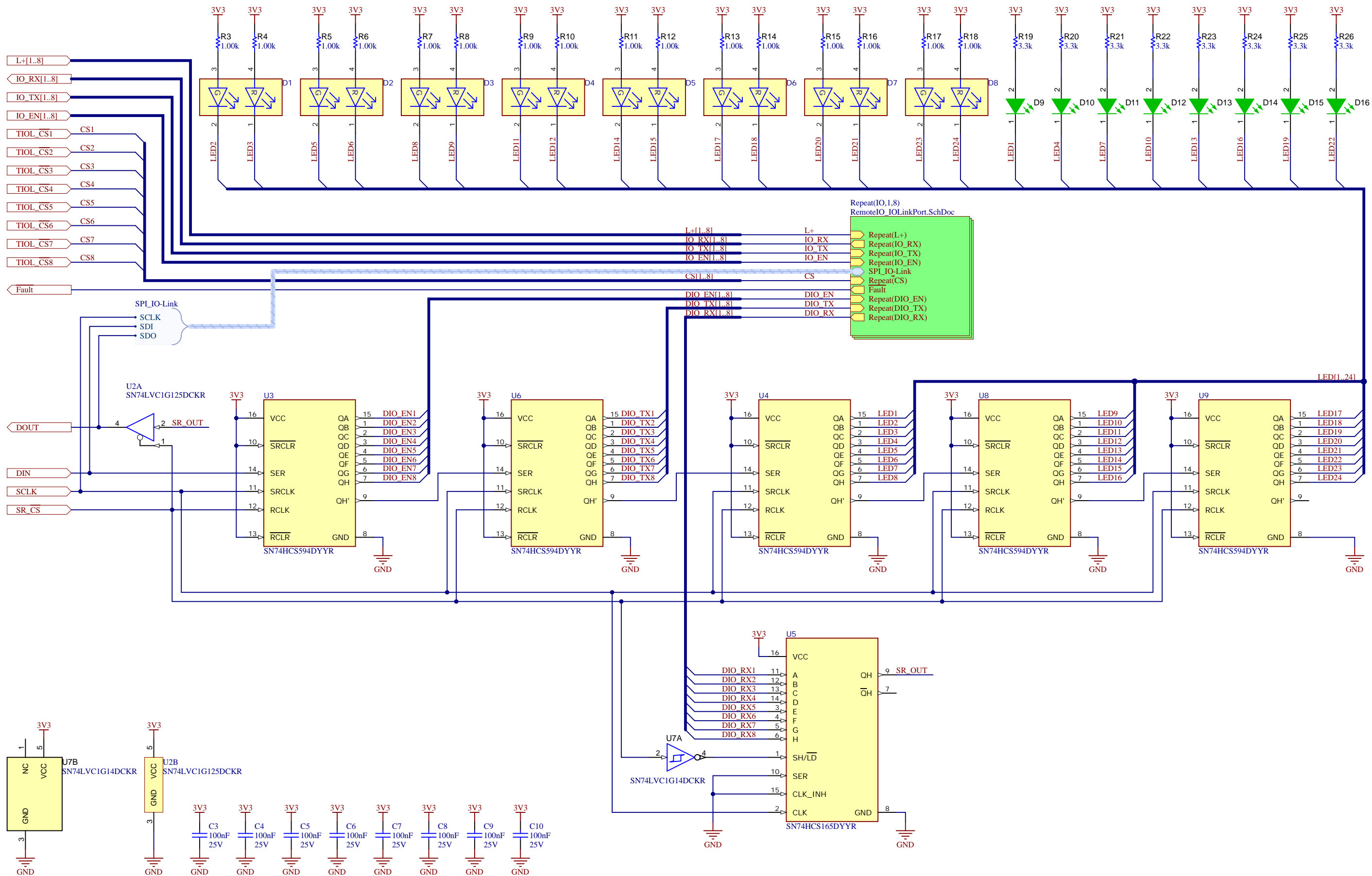


Odd nibble detection disabled
 MII MAC
 Fast Link Drop
 auto MDIX
 MDIO 1 and 3

Orderable: NA	Designed for: Public Release	Mod. Date: 4/13/2026
TID #: N/A	Project Title: AM261 Remote IO	
Number: TIDA-011002	Rev: E2	Sheet Title:
SVN Rev:	Assembly Variant: 001	Sheet: 11 of 14
Drawn By:	File: RemoteIO_Ethernet.SchDoc	Size: B
Engineer: Steffen Graf	Contact: http://www.ti.com/support	

Texas Instruments and/or its licensors do not warrant the accuracy or completeness of this specification or any information contained therein. Texas Instruments and/or its licensors do not warrant that this design will meet the specifications, will be suitable for your application or fit for any particular purpose, or will operate in an implementation. Texas Instruments and/or its licensors do not warrant that the design is production worthy. You should completely validate and test your design implementation to confirm the system functionality for your application.

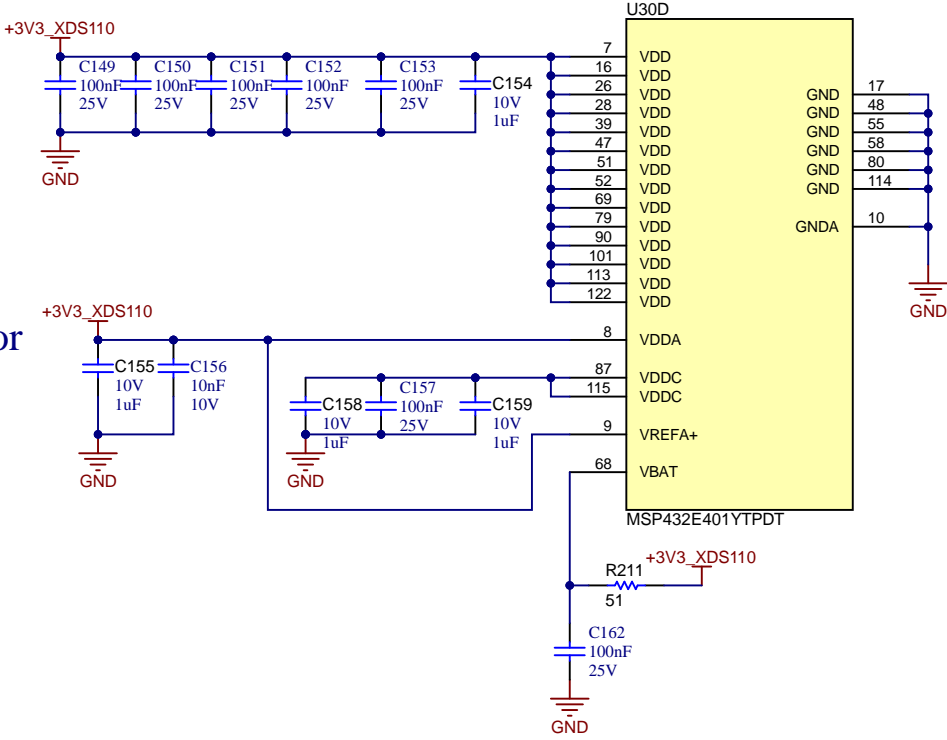
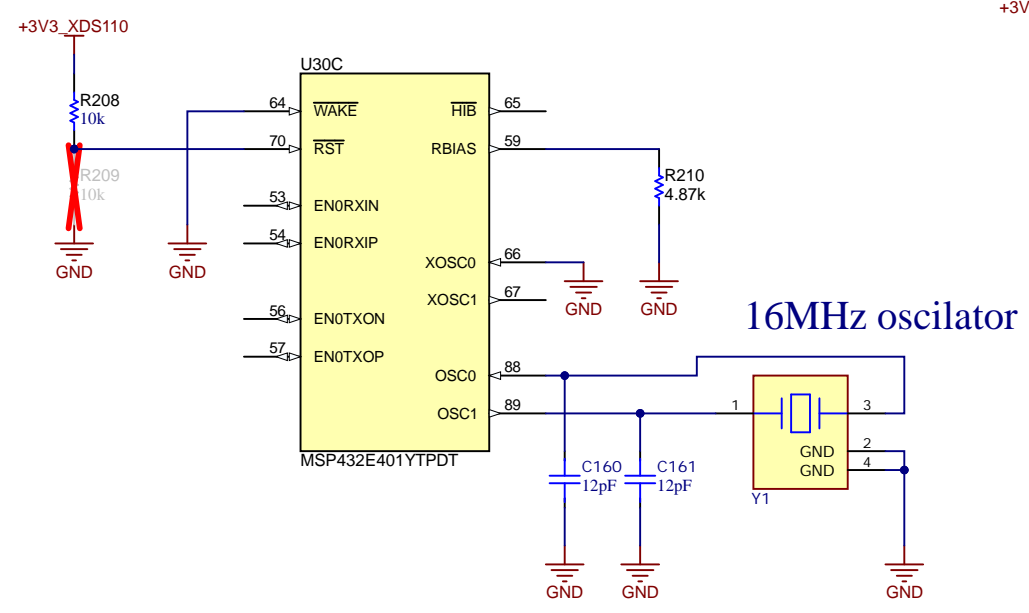
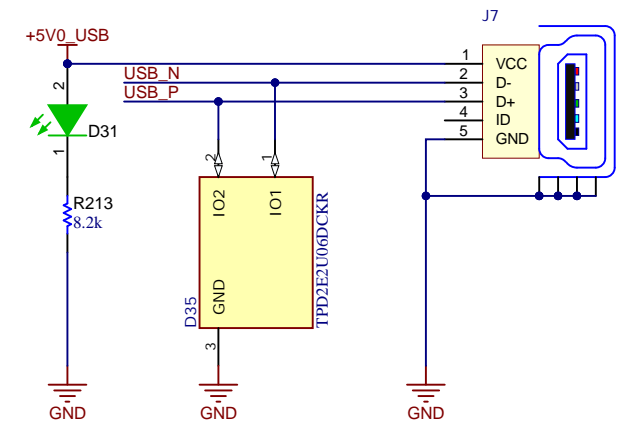
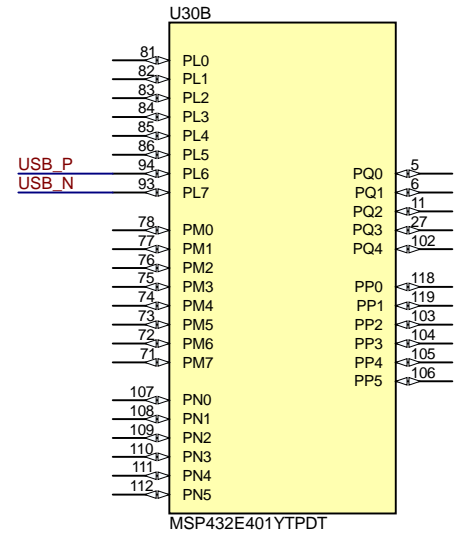
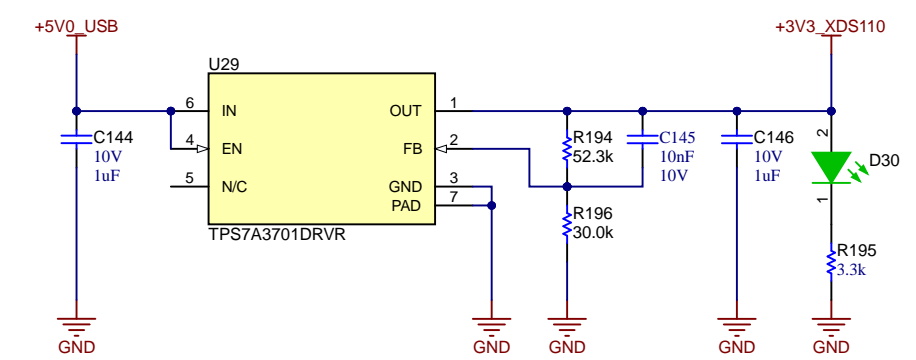
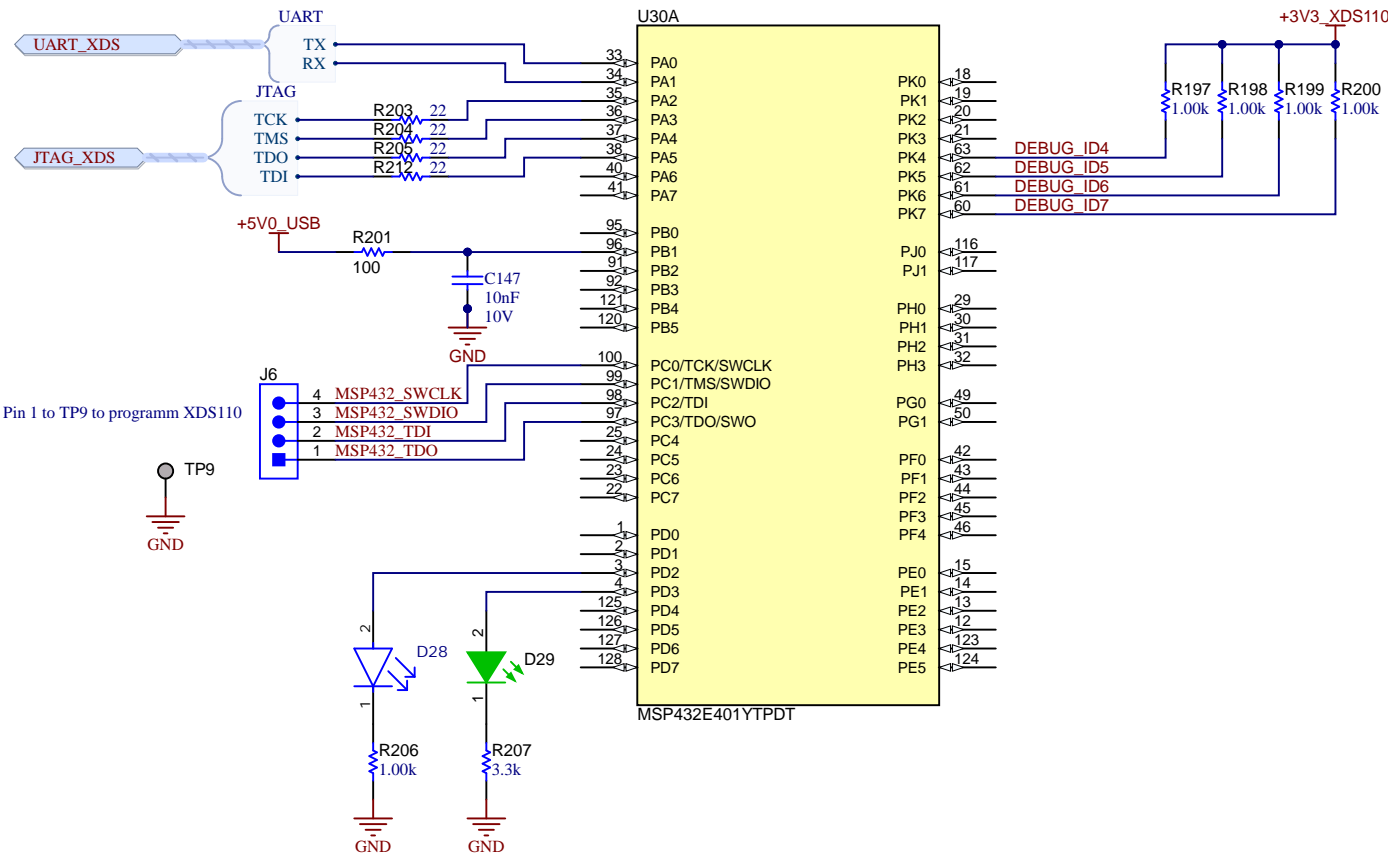




Orderable: NA	Designed for: Public Release	Mod. Date: 11/7/2025
TID #: N/A	Project Title: AM261 Remote IO	
Number: TIDA-011002	Rev: E2	Sheet Title:
SVN Rev:	Assembly Variant: 001	Sheet: 12 of 14
Drawn By:	File: RemoteIO_IO.SchDoc	Size: B
Engineer: Steffen Graf	Contact: http://www.ti.com/support	

Texas Instruments and/or its licensors do not warrant the accuracy or completeness of this specification or any information contained therein. Texas Instruments and/or its licensors do not warrant that this design will meet the specifications, will be suitable for your application or fit for any particular purpose, or will operate in an implementation. Texas Instruments and/or its licensors do not warrant that the design is production worthy. You should completely validate and test your design implementation to confirm the system functionality for your application.

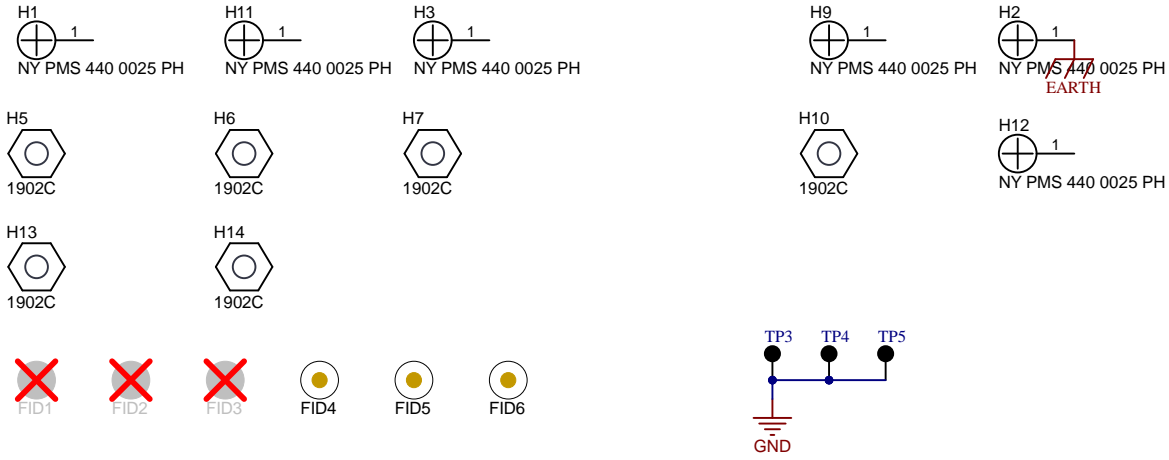




Orderable: NA	Designed for: Public Release	Mod. Date: 12/3/2025
TID #: N/A	Project Title: AM261 Remote IO	
Number: TIDA-011002	Rev: E2	Sheet Title:
SVN Rev:	Assembly Variant: 001	Sheet: 13 of 14
Drawn By:	File: RemoteIO_XDS110.SchDoc	Size: B
Engineer: Steffen Graf	Contact: http://www.ti.com/support	

Texas Instruments and/or its licensors do not warrant the accuracy or completeness of this specification or any information contained therein. Texas Instruments and/or its licensors do not warrant that this design will meet the specifications, will be suitable for your application or fit for any particular purpose, or will operate in an implementation. Texas Instruments and/or its licensors do not warrant that the design is production worthy. You should completely validate and test your design implementation to confirm the system functionality for your application.





PCB Number: TIDA-011002
PCB Rev: E2

PCB LOGO
Texas Instruments

CE Mark

PCB LOGO
FCC disclaimer

PCB LOGO
WEEE logo

CAUTION HOT SURFACE

Variant/Label Table	
Variant	Label Text
001	Default

LBL1
PCB Label
THT-14-423-10
Size: 0.65" x 0.20 "

ZZ1
Label Assembly Note
This Assembly Note is for PCB labels only

ZZ2
Assembly Note
These assemblies are ESD sensitive, ESD precautions shall be observed.

ZZ3
Assembly Note
These assemblies must be clean and free from flux and all contaminants. Use of no clean flux is not acceptable.

ZZ4
Assembly Note
These assemblies must comply with workmanship standards IPC-A-610 Class 2, unless otherwise specified.

Texas Instruments and/or its licensors do not warrant the accuracy or completeness of this specification or any information contained therein. Texas Instruments and/or its licensors do not warrant that this design will meet the specifications, will be suitable for your application or fit for any particular purpose, or will operate in an implementation. Texas Instruments and/or its licensors do not warrant that the design is production worthy. You should completely validate and test your design implementation to confirm the system functionality for your application.

Orderable: NA	Designed for: Public Release	Mod. Date: 4/29/2026
TID #: N/A	Project Title: AM261 Remote IO	
Number: TIDA-011002	Rev: E2	Sheet Title:
SVN Rev: 16189	Assembly Variant: 001	Sheet: 14 of 14
Drawn By:	File: RemoteIO_Hardware.SchDoc	Size: B
Engineer: Steffen Graf	Contact: http://www.ti.com/support	

IMPORTANT NOTICE AND DISCLAIMER

TI PROVIDES TECHNICAL AND RELIABILITY DATA (INCLUDING DATASHEETS), DESIGN RESOURCES (INCLUDING REFERENCE DESIGNS), APPLICATION OR OTHER DESIGN ADVICE, WEB TOOLS, SAFETY INFORMATION, AND OTHER RESOURCES "AS IS" AND WITH ALL FAULTS, AND DISCLAIMS ALL WARRANTIES, EXPRESS AND IMPLIED, INCLUDING WITHOUT LIMITATION ANY IMPLIED WARRANTIES OF MERCHANTABILITY, FITNESS FOR A PARTICULAR PURPOSE OR NON-INFRINGEMENT OF THIRD PARTY INTELLECTUAL PROPERTY RIGHTS.

These resources are intended for skilled developers designing with TI products. You are solely responsible for (1) selecting the appropriate TI products for your application, (2) designing, validating and testing your application, and (3) ensuring your application meets applicable standards, and any other safety, security, regulatory or other requirements.

These resources are subject to change without notice. TI grants you permission to use these resources only for development of an application that uses the TI products described in the resource. Other reproduction and display of these resources is prohibited. No license is granted to any other TI intellectual property right or to any third party intellectual property right. TI disclaims responsibility for, and you fully indemnify TI and its representatives against any claims, damages, costs, losses, and liabilities arising out of your use of these resources.

TI's products are provided subject to [TI's Terms of Sale](#), [TI's General Quality Guidelines](#), or other applicable terms available either on [ti.com](#) or provided in conjunction with such TI products. TI's provision of these resources does not expand or otherwise alter TI's applicable warranties or warranty disclaimers for TI products. Unless TI explicitly designates a product as custom or customer-specified, TI products are standard, catalog, general purpose devices.

TI objects to and rejects any additional or different terms you may propose.

Copyright © 2026, Texas Instruments Incorporated

Last updated 10/2025