

# TPS3423, TPS3424, Nano-Power, Push-Button Controllers With Configurable Delay to Enable Battery Freshness Seal

## 1 Features

- Operating voltage range: 1V to 6V
- Nano supply current: 18nA (typical)
- HBM ESD rating on push-button pin:  $\pm 8\text{kV}$
- Programmable short press and long press duration
  - TPS3423, TPS3424 fixed timing options:
    - Short press duration: 50msec to 13sec
    - Long press duration: 1sec to 30sec
    - Timer accuracy (maximum):  $\pm 10\%$
  - TPS3424: user-programmable option (50msec to 50sec) through external capacitor
- Output configurations:
  - RESET configurations:
    - Push-pull / open-drain, active high / low
    - Latched / non-latched
    - 100msec to 10sec pulse option for non-latched version
  - $\overline{\text{INT}}$  configurations:
    - open drain, active low
    - non-latched (100msec to 1sec pulse duration)
- Kill feature: enables host to control the RESET output
- Available in pin compatible SOT-583 and SOT563 packages

## 2 Applications

- [Wearables](#)
- [Gaming consoles](#)
- [Home theater entertainment](#)
- [Printers](#)
- [Health care](#)
- [Portable electronics](#)
- [Factory automation & control](#)

## 3 Description

TPS3423 and TPS3424 are push-button controllers which offer wide range of independent detection of short press and long press functionality. These devices offer up to two outputs per push-button (RESET and  $\overline{\text{INT}}$ ), which can be used for various use cases including enabling the voltage regulator or circuit breakers, generating a monoshot for given press duration and sending an interrupt to micro controller. The device generates an interrupt pulse both for short press and long press notifying the micro controller. RESET output changes the state based on the device configuration.

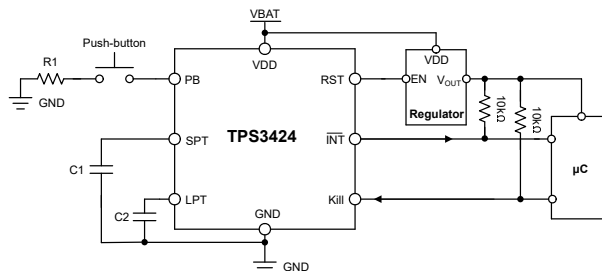
The extreme low power consumption 18nA helps to improve product shelf life for battery powered devices. The device keeps the power tree disabled until required button press is detected. This feature can be used to implement battery freshness seal.

TPS3423/4 are offered in fixed timing options for short and long press durations. To provide flexibility to the designer, TPS3424 also offers user-programmable short and long press durations through an external capacitor. Kill pin in TPS3424 enables feedback from the microcontroller to asynchronously de-assert RESET.

### Device Information

PART NUMBER	PACKAGE (1)	BODY SIZE (NOM) (2)
TPS3423	DRL (SOT-583)	2.10mm × 1.60mm
	DRL (SOT-563) (3)	1.60mm × 1.20mm
TPS3424	DRL (SOT-583)	2.10mm × 1.60mm
	DRL (SOT-563) (3)	1.60mm × 1.20mm

- (1) For all available packages, see the orderable addendum at the end of the data sheet.
- (2) The package size (length × width) is a nominal value and includes pins, where applicable.
- (3) Preview package.



TPS3424 Typical Application Diagram



## Table of Contents

<b>1 Features</b> .....	1	7.3 Feature Description.....	15
<b>2 Applications</b> .....	1	7.4 Device Functional Modes.....	18
<b>3 Description</b> .....	1	<b>8 Application and Implementation</b> .....	19
<b>4 Device Comparison</b> .....	3	8.1 Application Information.....	19
<b>5 Pin Configuration and Functions</b> .....	5	8.2 Typical Applications.....	19
<b>6 Specifications</b> .....	7	8.3 Power Supply Recommendations.....	21
6.1 Absolute Maximum Ratings.....	7	8.4 Layout.....	21
6.2 ESD Ratings.....	7	<b>9 Device and Documentation Support</b> .....	23
6.3 Recommended Operating Conditions.....	7	9.1 Receiving Notification of Documentation Updates....	23
6.4 Thermal Information.....	8	9.2 Support Resources.....	23
6.5 Electrical Characteristics.....	8	9.3 Trademarks.....	23
6.6 Timing Requirements.....	9	9.4 Electrostatic Discharge Caution.....	23
6.7 Timing Diagrams.....	10	9.5 Glossary.....	23
6.8 Typical Characteristics.....	12	<b>10 Revision History</b> .....	23
<b>7 Detailed Description</b> .....	14	<b>11 Mechanical, Packaging, and Orderable Information</b> .....	23
7.1 Overview.....	14		
7.2 Functional Block Diagrams.....	14		

### 4 Device Comparison

Figure 4-1 and Figure 4-3 shows the device nomenclature of the TPS3423 and TPS3424, for output / push-button input, short press and long press, interrupt, reset and kill timing options. Figure 4-2 extends nomenclature of TPS3423 to provide 2 different timing option for channels. Refer Section 7 for more details. Contact TI sales representatives or on TI's E2E forum for detail and availability of other options.

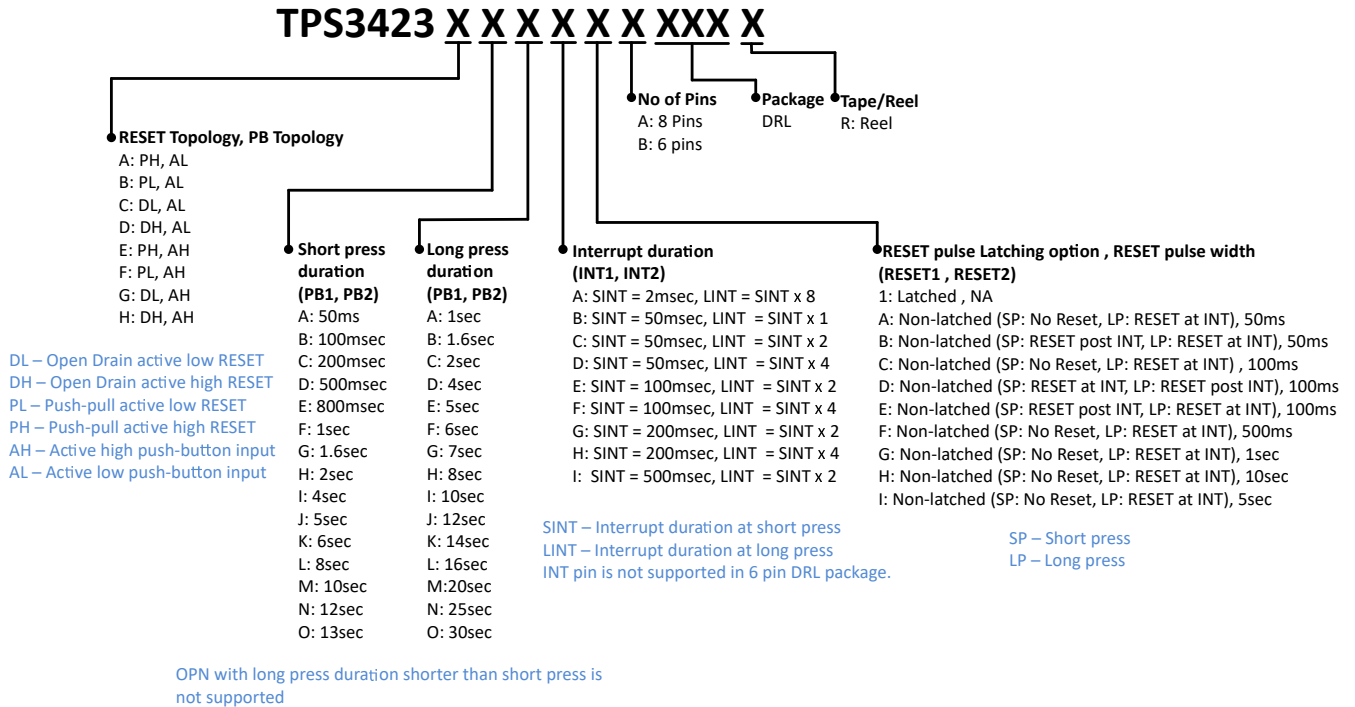


Figure 4-1. Dual Push-Button Nomenclature

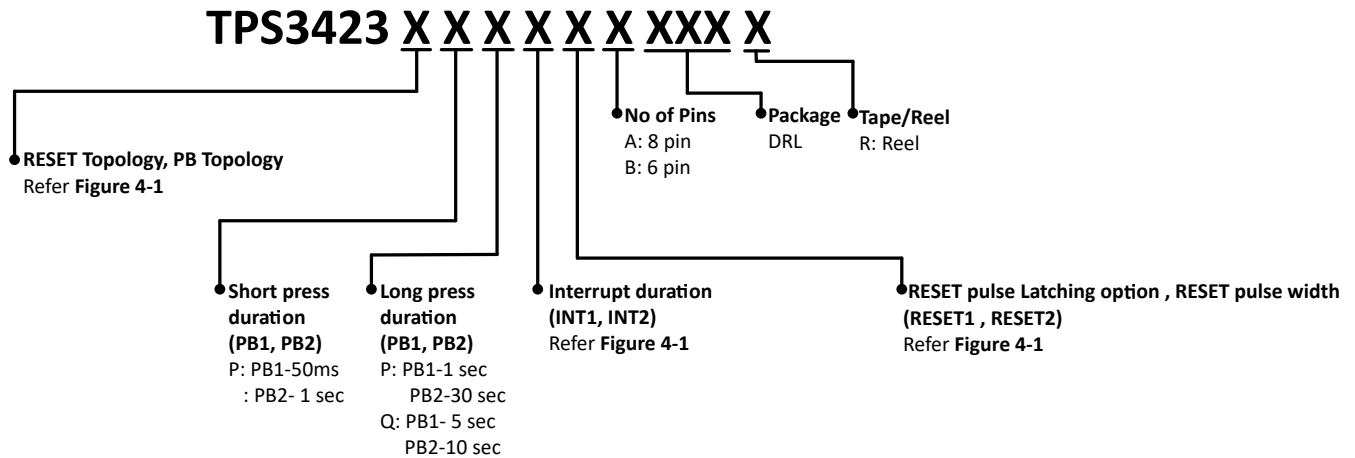
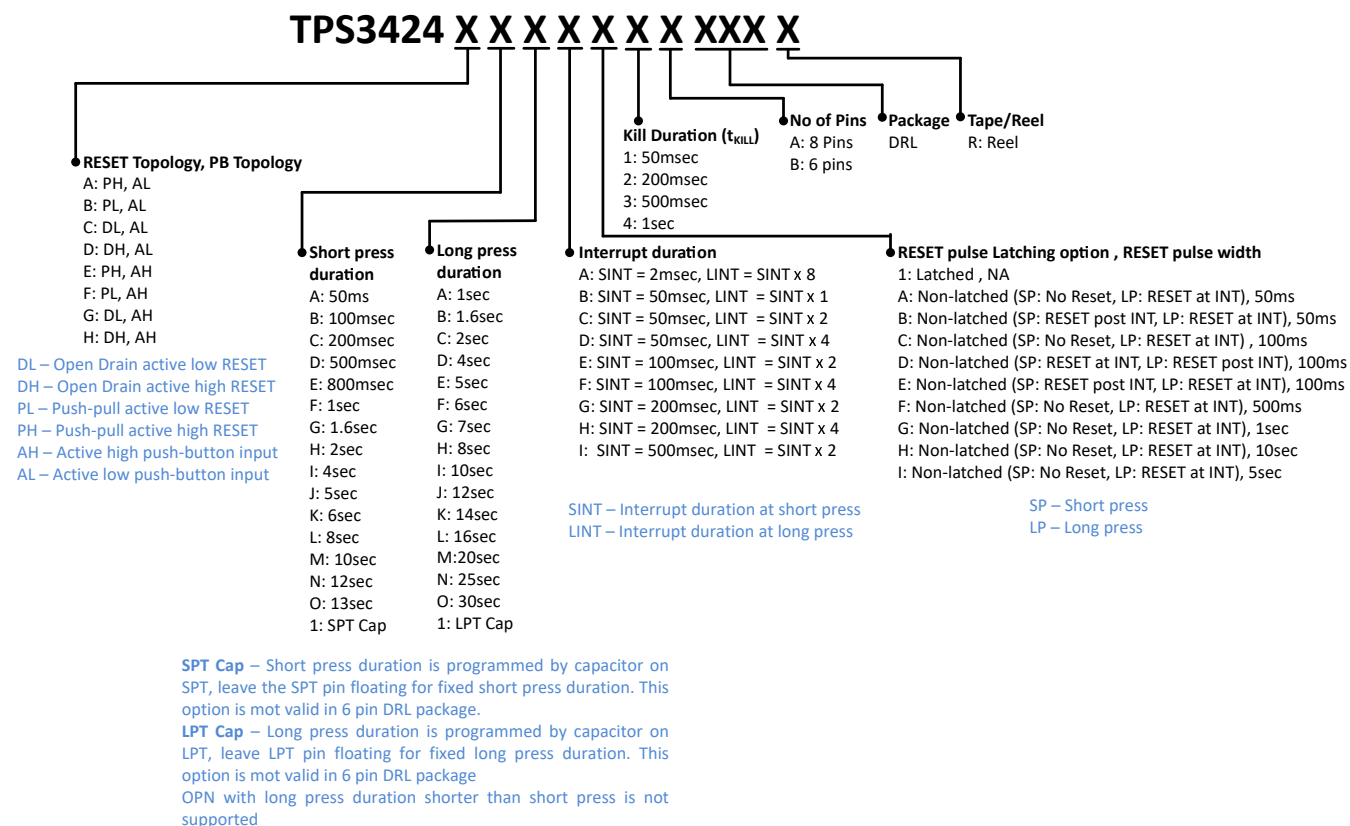


Figure 4-2. Dual Push-Button Extended Nomenclature



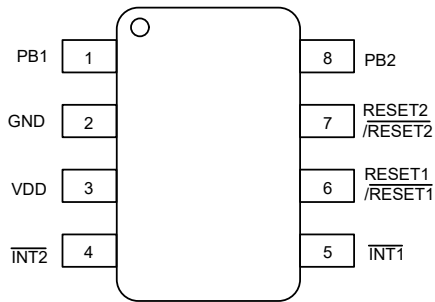
**Figure 4-3. Single Push-Button Nomenclature**

TPS3423/4 belongs to family of devices offering different feature sets as highlighted in [Device Information](#).

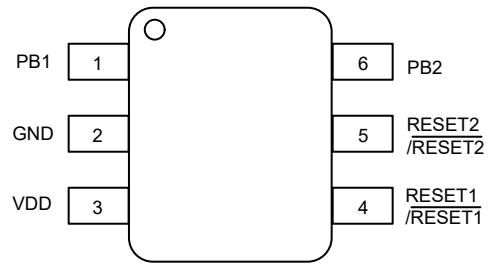
**Device Information**

PART NUMBER	NO. OF PUSH-BUTTONS	PUSH-BUTTON TIMING OPTION	KILL FEATURE
TPS3423	2	Fixed	No
TPS3424	1	Fixed, programmable with external capacitor	Yes

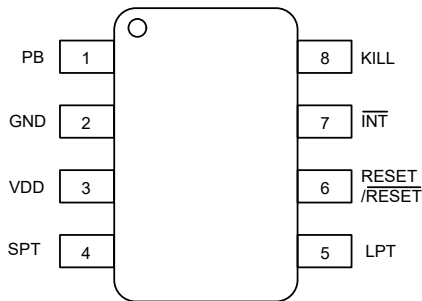
## 5 Pin Configuration and Functions



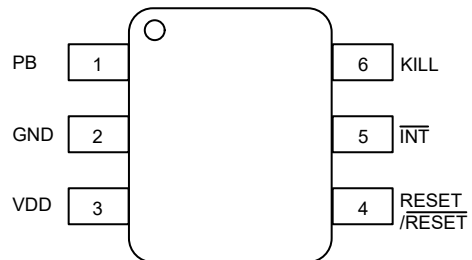
**Figure 5-1. Pin Configuration Option: TPS3423**  
**DRL Package**  
**8-Pin SOT-5X3**  
**Top View**



**Figure 5-2. Pin Configuration Option TPS3423**  
**DRL Package**  
**6-Pin SOT-5X3**  
**Top View**



**Figure 5-3. Pin Configuration Option TPS3424**  
**DRL Package**  
**8-Pin SOT-5X3**  
**Top View**



**Figure 5-4. Pin Configuration Option TPS3424**  
**DRL Package**  
**6-Pin SOT-5X3**  
**Top View**

Table 5-1. TPS3423 - Pin Functions

TPS3423			I/O	DESCRIPTION
PIN NAME	8 PIN SOT-5X3	6 PIN SOT-5X3		
PB1	1	1	I	Push-button input 1, refer <a href="#">Section 7.3.1.1</a> for additional details.
GND	2	2	-	Ground connection for IC.
V <sub>DD</sub>	3	3	I	Supply connection, connect a 0.1µF capacitor near the pin for best performance.
$\overline{\text{INT2}}$	4		O	Interrupt output for push-button input 2, $\overline{\text{INT2}}$ is open drain active low output which toggles from every short press and long press on push-button input 2 as described in <a href="#">Section 7.3.2.1</a>
$\overline{\text{INT1}}$	5		O	Interrupt output for push-button input 1, $\overline{\text{INT1}}$ is open drain active low output which toggles from every short press and long press on push-button input 1 as described in <a href="#">Section 7.3.2.1</a>
RESET1/ RESET1	6	4	O	RESET output for push-button input 1. The response of RESET to short press and long press is described in <a href="#">Section 7.3.2.2</a> .
RESET2/ RESET2	7	5	O	RESET output for push-button input 2. The response of RESET to short press and long press is described in <a href="#">Section 7.3.2.2</a> .
PB2	8	6	I	Push-button input 2, refer <a href="#">Section 7.3.1.1</a> for additional details.

Table 5-2. TPS3424 - Pin Functions

TPS3424			I/O	DESCRIPTION
PIN NAME	8 PIN SOT-5X3	6 PIN SOT-5X3		
PB	1	1	I	Push-button input, refer <a href="#">Section 7.3.1.1</a> for additional details.
GND	2	2	-	Ground connection for IC.
V <sub>DD</sub>	3	3	I	Supply connection, connect a 0.1µF capacitor near the pin for best performance.
SPT	4			Connect capacitor to program short press time as described in <a href="#">Section 7.3.1.1</a> for SPT Cap version.
LPT	5		O	Connect capacitor to program long press time as described in <a href="#">Section 7.3.1.1</a> for LPT Cap version.
RESET/ RESET	6	4	O	RESET output for the device. The response of RESET to short press and long press is described in <a href="#">Section 7.3.2.2</a> .
$\overline{\text{INT}}$	7	5	O	Interrupt output. $\overline{\text{INT}}$ is open drain active low output which toggles from every short press and long press on push-button input as described in <a href="#">Section 7.3.2.1</a>
KILL	8	6	I	Kill is feedback from the host. RESET can be de-asserted in the latched version by pulling KILL low. Connect this pin to V <sub>DD</sub> if not used. Please refer <a href="#">Section 7.3.1.3</a> for additional details.

## 6 Specifications

### 6.1 Absolute Maximum Ratings

over operating free-air temperature range (unless otherwise noted)<sup>(1)</sup>

		MIN	MAX	UNIT
Voltage	$V_{DD}$	-0.3	6.5	V
	$V_{PB}$ <sup>(1)</sup>	-0.3	$V_{DD} + 0.3$	V
	$V_{KILL}$ <sup>(1)</sup>	-0.3	$V_{DD} + 0.3$	V
Current	$I_{RESET/RESET}$	-6	6	mA
Temperature <sup>(2)</sup>	Operating free-air temperature, $T_A$	-40	125	°C
Storage temperature range	$T_{stg}$	-65	150	°C

- (1) Stresses beyond values listed under Absolute Maximum Ratings can cause permanent damage to the device. These are stress ratings only, which do not imply functional operation of the device at these or any other conditions beyond those indicated under Recommended Operating Conditions. Exposure to absolute-maximum-rated conditions for extended periods may affect device reliability.

### 6.2 ESD Ratings

		VALUE	UNIT
$V_{(ESD)}$	Electrostatic discharge	Human-body model (HBM), per ANSI/ESDA/JEDEC JS-001 (PB pin only)	±8000
		Human-body model (HBM), per ANSI/ESDA/JEDEC JS-001 <sup>(1)</sup>	±2000
		Charged device model (CDM), per JEDEC specification JESD22-C101	±750

- (1) HBM for all the pins except PB

### 6.3 Recommended Operating Conditions

		MIN	NOM	MAX	UNIT
$V_{DD}$	Supply pin voltage	1		6	V
$V_{PB}$	Push-button pin input voltage	0		$V_{DD}$	V
$V_{KILL}$	KILL pin Voltage	0		$V_{DD}$	V
$V_{INT}$	Interrupt pin voltage	0		$V_{DD}$	V
$V_{RESET/RESET}$	Output pin voltage	0		$V_{DD}$	V
$I_{RESET/RESET}$	Output pin current	0		5	mA
$T_A$	Ambient temperature	-40		125	°C
$C_{SPT}$	SPT capacitor <sup>(1)</sup>			100	nF
$C_{LPT}$	LPT capacitor			125	nF

- (1) SPT capacitor value must be lower than LPT capacitor value

## 6.4 Thermal Information

THERMAL METRIC <sup>(1)</sup>		TPS3423 / TPS3424	
		DRL (SOT-583)	
		8 PINS	
			UNIT
$R_{\theta JA}$	Junction-to-ambient thermal resistance	122.8	°C/W
$R_{\theta JC(top)}$	Junction-to-case (top) thermal resistance	68.1	°C/W
$R_{\theta JB}$	Junction-to-board thermal resistance	31.1	°C/W
$\Psi_{JT}$	Junction-to-top characterization parameter	2.6	°C/W
$\Psi_{JB}$	Junction-to-board characterization parameter	30.5	°C/W
$R_{\theta JC(bot)}$	Junction-to-case (bottom) thermal resistance	NA	°C/W

(1) For more information about traditional and new thermal metrics, see the [Semiconductor and IC Package Thermal Metrics](#) application report.

## 6.5 Electrical Characteristics

At  $1V < V_{DD} < 6V$ , SPT = LPT = Open, KILL = VDD,  $C_{RESET} = 50pF$ ,  $\overline{INT} = 10K\Omega$  pull up to  $V_{DD}$  and over the operating free-air temperature range of -40°C to 125°C, unless otherwise noted. Typical values are at  $T_A = 25^\circ C$ .

PARAMETER		TEST CONDITION		MIN	TYP	MAX	UNIT
<b>POWER SUPPLY</b>							
$V_{DD}$	Supply Voltage			1		6	V
$I_{DD(Standby)}$	Standby supply current <sup>(1)</sup>	$V_{DD} = 3V$	$T_A = 25^\circ C$		18	24	nA
			$T_A = -40^\circ C$ to $85^\circ C$			90	
		$V_{DD} = 6V$	$T_A = -40^\circ C$ to $85^\circ C$		23	100	
						350	
<b>Push-button PIN</b>							
$I_{DD(Active)}$	Supply current when $V_{PB} = 0V$ (two push-button is pressed) <sup>(2)</sup>	$V_{DD} = 3V$	$T_A = -40^\circ C$ to $85^\circ C$			10	$\mu A$
			$T_A = -40^\circ C$ to $125^\circ C$			12	
	Supply current when $V_{PB} = 0V$ (one push-button is pressed) <sup>(2)</sup>		$T_A = -40^\circ C$ to $85^\circ C$			6	
			$T_A = -40^\circ C$ to $125^\circ C$			7	
	Supply current when $V_{PB} = V_{DD}$ (two push buttons are pressed) <sup>(3)</sup>		$T_A = -40^\circ C$ to $85^\circ C$			1.8	
			$T_A = -40^\circ C$ to $125^\circ C$			3.5	
	Supply current when $V_{PB} = V_{DD}$ (one push button is pressed) <sup>(3)</sup>		$T_A = -40^\circ C$ to $85^\circ C$			1.8	
$T_A = -40^\circ C$ to $125^\circ C$				3.5			
$V_{IH(PB / PB)}$	PB Logic high input	$V_{DD} = 3V$		0.8* $V_{DD}$			
$V_{IL(PB / PB)}$	PB Logic low Input		0.3* $V_{DD}$				
$R_{PB}$	PB pin internal pull-up / pull-down resistance <sup>(2)</sup> (3)			1000			k $\Omega$
<b><math>\overline{INT}</math> and RESET</b>							
$V_{OL(\overline{INT})}$	Low level output voltage	$V_{DD} = 1V, \overline{INT} = 100\mu A$				200	mV
	Low level output voltage	$V_{DD} = 3V, \overline{INT} = 1mA$				300	
$I_{LKG(\overline{INT})}$	Open drain output leakage current for $\overline{INT}$	$V_{DD} = V_{Pullup} = 6V$				70	nA

## 6.5 Electrical Characteristics (continued)

At  $1V < V_{DD} < 6V$ , SPT = LPT = Open, KILL = VDD,  $C_{RESET} = 50pF$ ,  $\overline{INT} = 10K\Omega$  pull up to  $V_{DD}$  and over the operating free-air temperature range of  $-40^{\circ}C$  to  $125^{\circ}C$ , unless otherwise noted. Typical values are at  $T_A = 25^{\circ}C$ .

PARAMETER		TEST CONDITION	MIN	TYP	MAX	UNIT
$V_{OL(RESET/RESET)}$	Low level output voltage (Open Drain)	$V_{DD} = 1V, I_{(RESET/RESET)} = 300\mu A$			200	mV
	Low level output voltage (Push-Pull) <sup>(4)</sup>	$V_{DD} = 1V, I_{(RESET/RESET)} = 300\mu A$			200	
	Low level output voltage (Open Drain)	$V_{DD} = 3V, I_{(RESET/RESET)} = 5mA$			300	
	Low level output voltage (Push-Pull) <sup>(4)</sup>	$V_{DD} = 3V, I_{(RESET/RESET)} = 5mA$			300	
$V_{OH(RESET/RESET)}$	High level output voltage (Push-Pull) <sup>(4)</sup>	$V_{DD} = 1V, I_{(RESET/RESET)} = 200\mu A$	$0.7 \cdot V_{DD}$			
	High level output voltage (Push-Pull) <sup>(4)</sup>	$V_{DD} = 3V, I_{(RESET/RESET)} = 5mA$	$0.7 \cdot V_{DD}$			
$I_{LKG (RESET/RESET)}$	Open drain output leakage current for (RESET)	$V_{DD} = V_{\overline{Pullup}} = 6V, R_{\overline{Pullup}} = 10k\Omega$			70	nA
<b>KILL</b>						
$I_{KILL}$	Kill Input current			25		nA
$V_{KILL\_L}$	KILL logic low input				$0.3 \cdot V_{DD}$	
$V_{KILL\_H}$	KILL logic high input		$0.7 \cdot V_{DD}$			

- (1) PB pin not pressed.
- (2) PB pin as active low.
- (3) PB pin as active high.
- (4) This spec holds true both for active high RESET and active low RESET.

## 6.6 Timing Requirements

At  $1V < V_{DD} < 6V$ , SPT = LPT = Open, KILL = VDD,  $C_{RESET} = 50pF$ ,  $\overline{INT} = 10K\Omega$  pull up to  $V_{DD}$  and over the operating free-air temperature range of  $-40^{\circ}C$  to  $125^{\circ}C$ , unless otherwise noted. Typical values are at  $T_A = 25^{\circ}C$ .

Parameter		Test Condition	MIN	TYP	MAX	UNIT
$t_{SP}$ Accuracy	Short press duration accuracy for fixed version <sup>(1)</sup>		-10		10	%
	Short press duration accuracy for adjustable version <sup>(1)</sup>	SPT = 330pF, LPT = 4.7nF	-20		20	%
$t_{LP}$ Accuracy	Long press duration accuracy for fixed version		-10		10	%
	Long press duration accuracy for adjustable version	SPT = 330pF, LPT = 4.7nF	-20		-20	%
$t_{SINT}$ Accuracy	Interrupt pulse width accuracy for PB long press		-10		10	%
$t_{LINT}$ Accuracy	Interrupt pulse width accuracy for PB short press		-10		10	%
$t_{KILL}$ Accuracy	PB/KILL debounce accuracy when RESET deasserts in latched version		-10		10	%
$t_{RESET}$	Reset pulse duration (non latched) - Accuracy		-10		10	%
$t_{GI(KILL)}$	Glitch Immunity at KILL pin			250		ns
$t_{PD(KILL)}$	KILL falling edge to RESET assert delay			300		ns

- (1)  $t_{SPD}$  must always be less than  $t_{LPD}$ .

## 6.7 Timing Diagrams

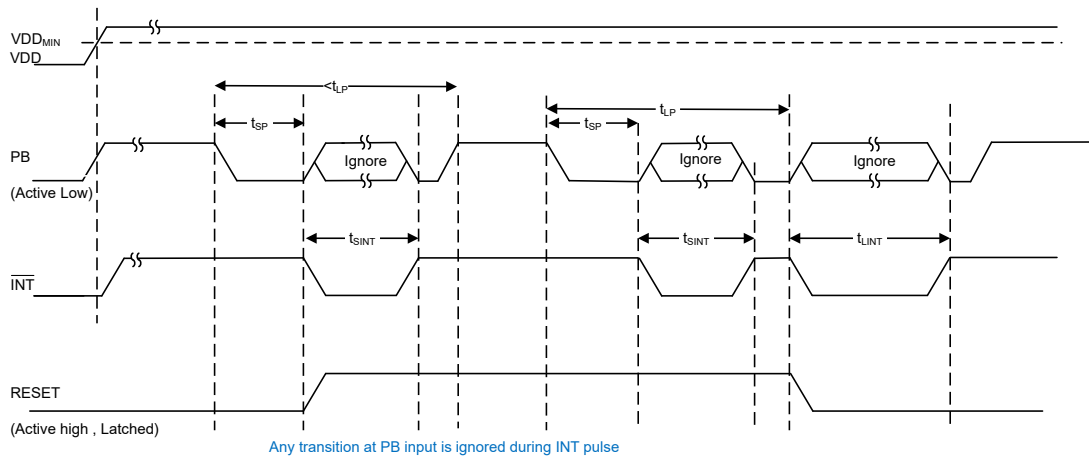


Figure 6-1. Timing Diagram: Latched RESET

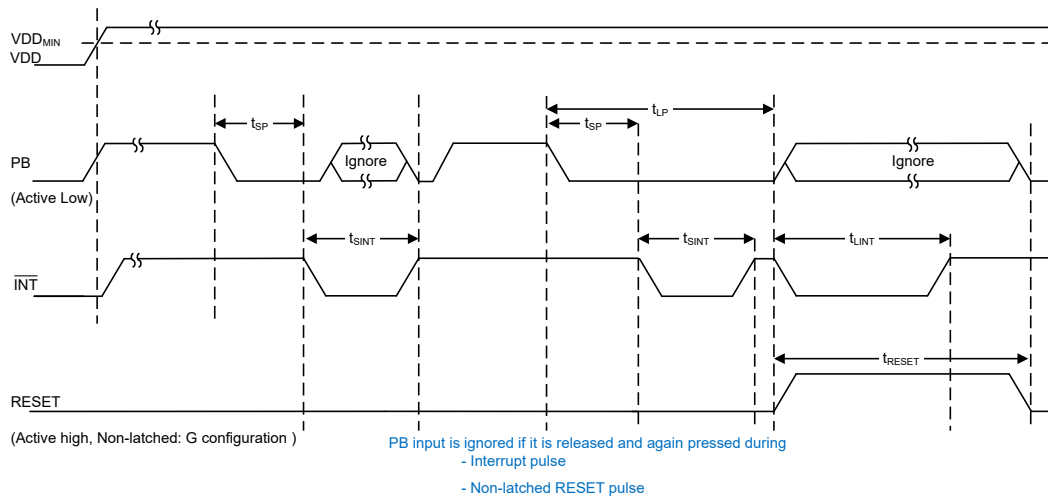


Figure 6-2. Timing Diagram: Non-Latched RESET  
(SP: No Reset, LP: RESET at INT)

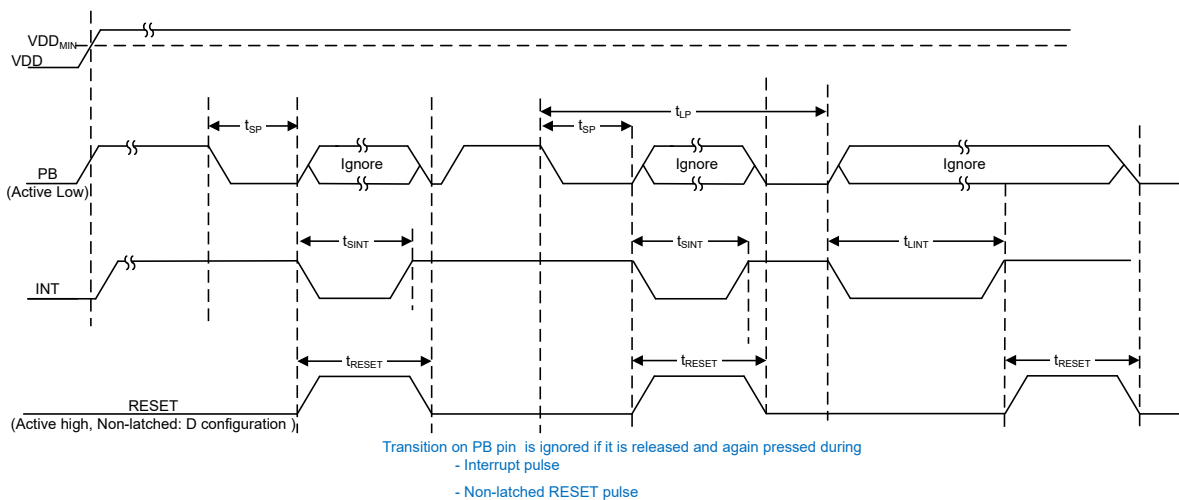
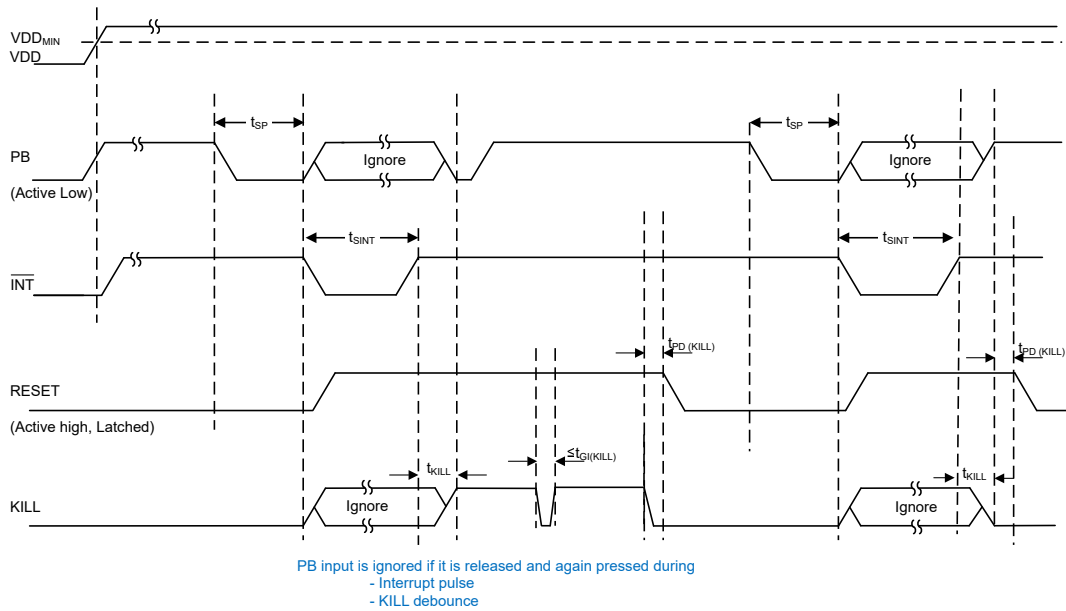


Figure 6-3. Timing Diagram: Non-Latched RESET

**(SP: RESET at INT, LP: RESET post INT)**



**Figure 6-4. Timing Diagram: KILL**

## 6.8 Typical Characteristics

At  $V_{DD} = 6V$ ,  $SPT = LPT = \text{Open}$ ,  $KILL = V_{DD}$ ,  $C_{RESET} = 50pF$ ,  $INT = 10K\Omega$  pull up to  $V_{DD}$  and over the operating free-air temperature range of  $-40^{\circ}C$  to  $125^{\circ}C$ , unless otherwise noted.

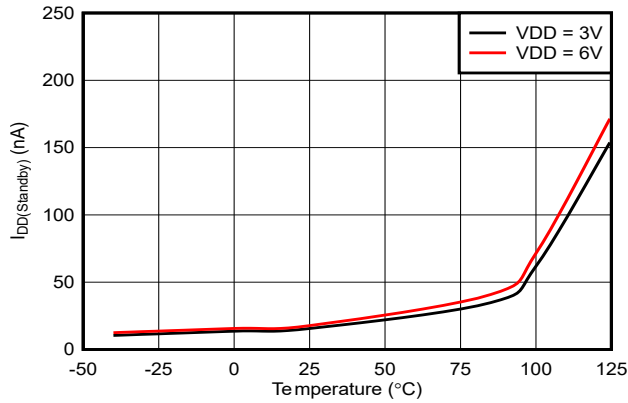


Figure 6-5. Standby Supply Current vs Temperature

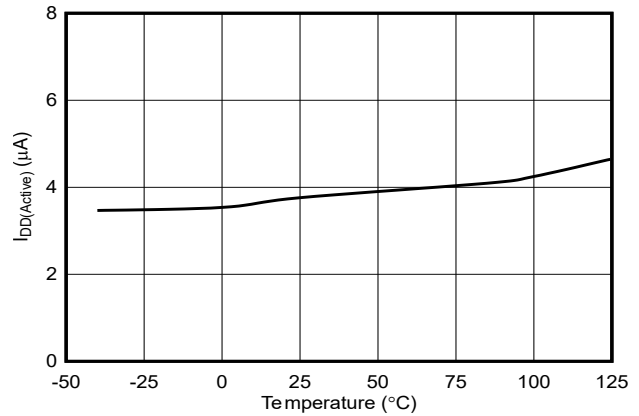


Figure 6-6. Active Current vs Temperature (Active Low Push Button Input)

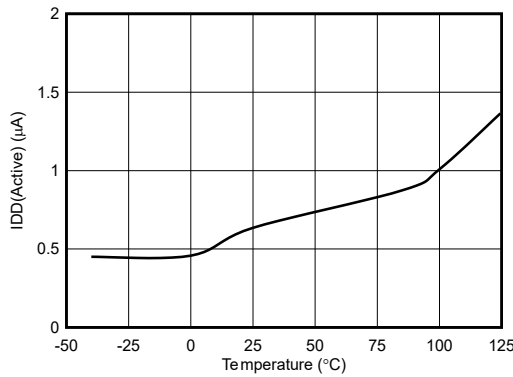


Figure 6-7. Active Current vs Temperature (Active High Push Button Input)

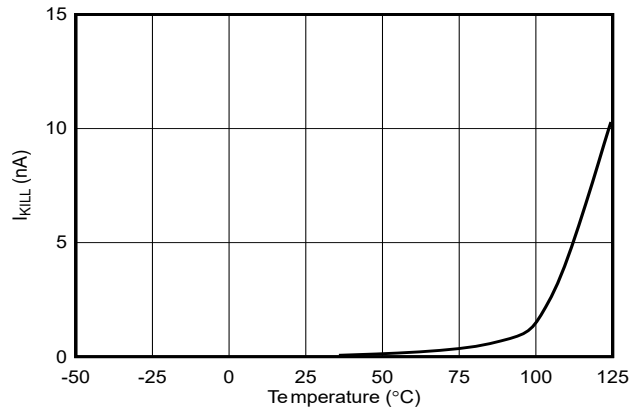


Figure 6-8. Kill Current vs Temperature

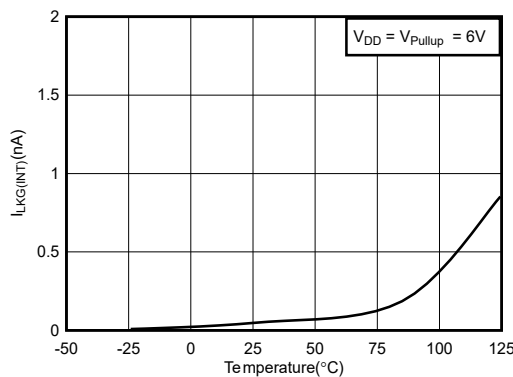


Figure 6-9. INT Leakage vs Temperature

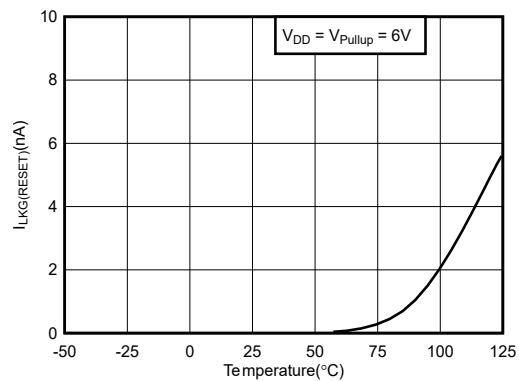
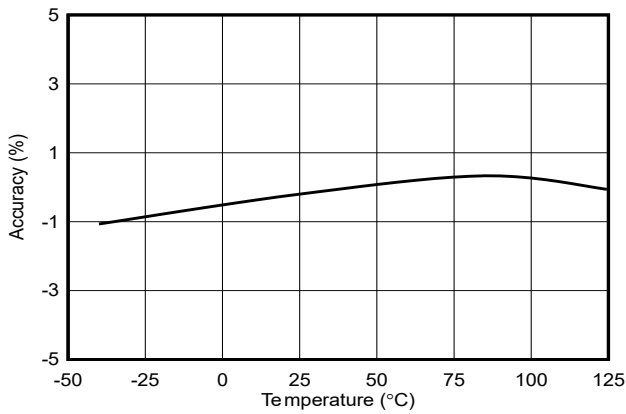


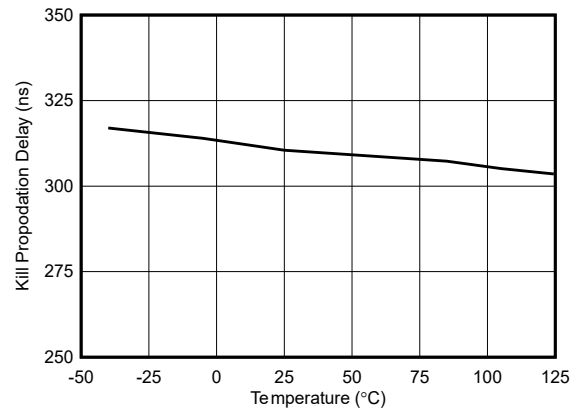
Figure 6-10. Open Drain RESET Leakage vs Temperature

### 6.8 Typical Characteristics (continued)

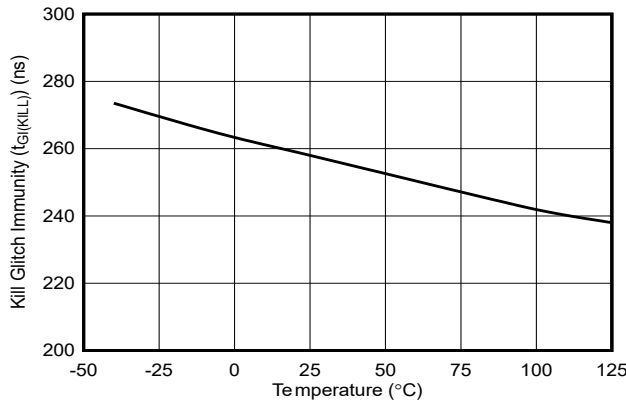
At  $V_{DD} = 6V$ ,  $SPT = LPT = \text{Open}$ ,  $KILL = V_{DD}$ ,  $C_{RESET} = 50pF$ ,  $INT = 10K\Omega$  pull up to  $V_{DD}$  and over the operating free-air temperature range of  $-40^{\circ}C$  to  $125^{\circ}C$ , unless otherwise noted.



**Figure 6-11. Timing Accuracy vs Temperature (Short Press, Long Press, Kill Blanking time )**



**Figure 6-12. Kill Propagation Delay vs Temperature**



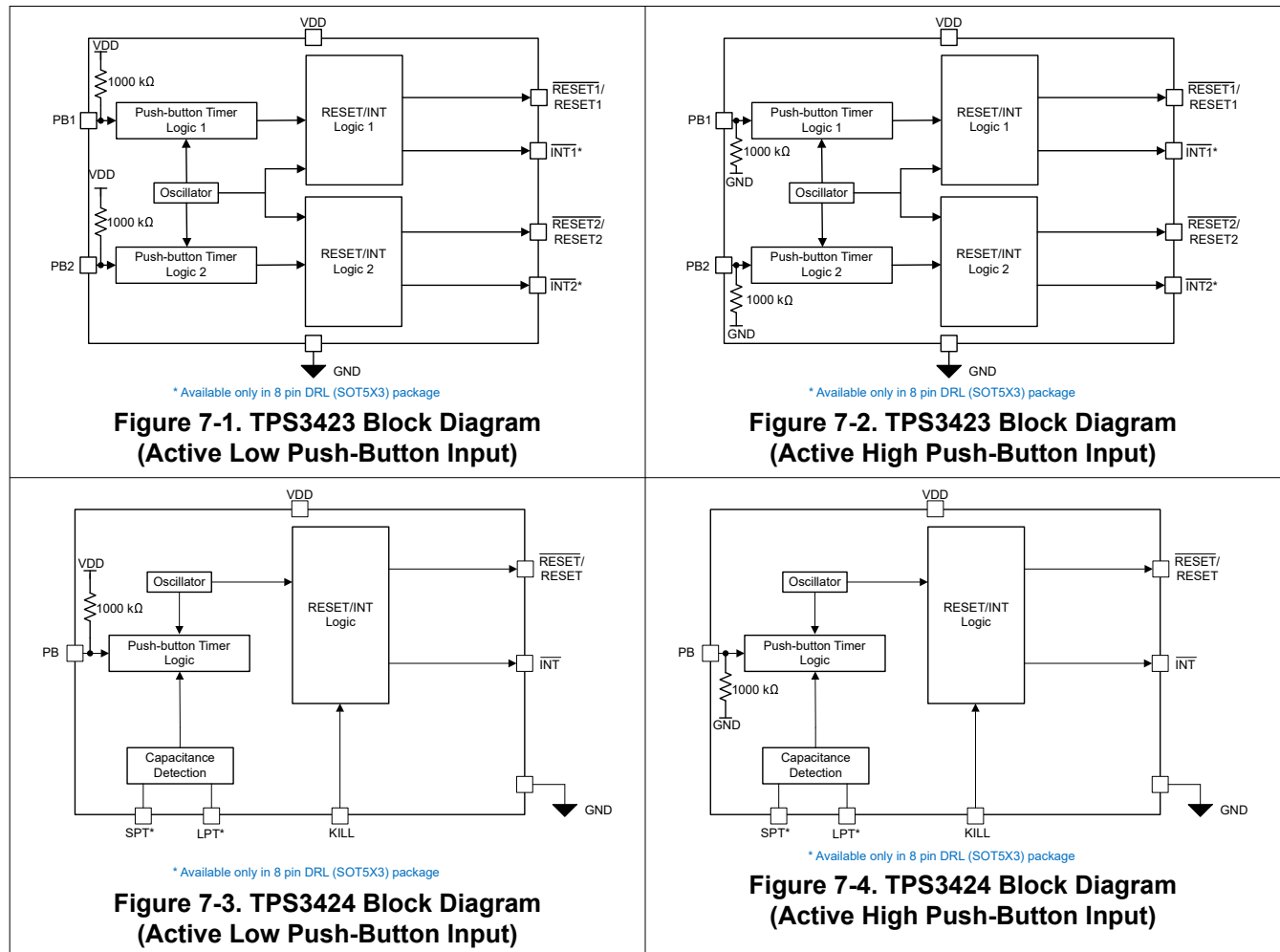
**Figure 6-13. Kill Glitch Immunity vs Temperature**

## 7 Detailed Description

### 7.1 Overview

The TPS3423 & TPS3424 are nano power push-button family which offer wide range of timing option for input (PB, KILL) and output (RESET,  $\overline{\text{INT}}$ ) pins. This device family is available in two different pinout with 8 and 6 pin DRL package and various output and input configuration as per [Device Comparison](#) to support various applications. The pin placement enables use of either 6 pin or 8 pin device for a single 8 pin layout.

### 7.2 Functional Block Diagrams



## 7.3 Feature Description

### 7.3.1 Inputs

This section discusses the inputs of the TPS3423 & TPS3424 devices.

#### 7.3.1.1 Push-Button Input (PB)

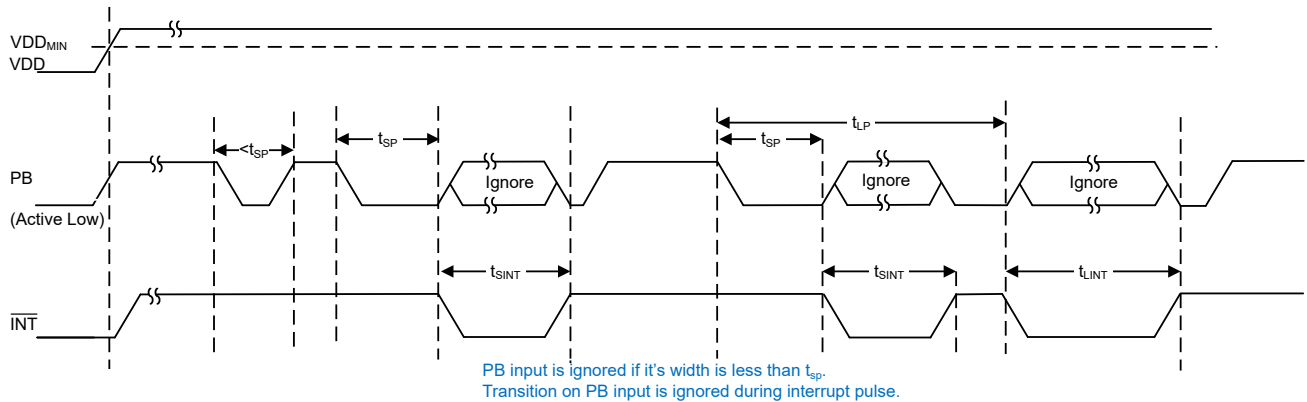
Push-button input (PB) for TPS3423 and TPS3424 is available in active low and active high configuration as per Table 7-1 as shown from Figure 7-1 to Figure 7-4.

**Table 7-1. Push-Button Configuration**

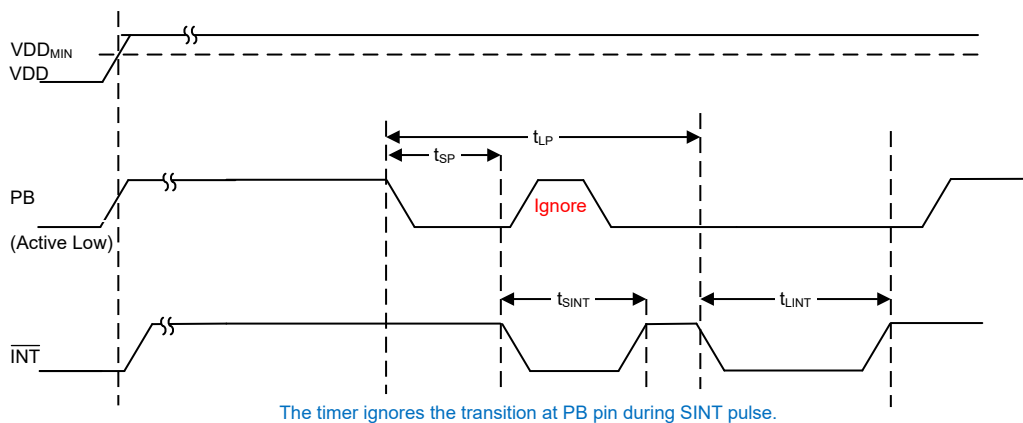
PUSH-BUTTON CONFIGURATION	INTERNAL RESISTOR ORIENTATION	PB TRIGGER STATE
Active low	1000kΩ , pulled up to VDD	Falling edge on PB pin if INT is not asserted.
Active High	1000kΩ , pulled down to GND	Rising edge on PB pin if INT is not asserted.

PB pin must be connected to a switch with ON resistance less than 20% of the pull-up / pull-down resistance to provide the correct PB input trigger for the device.

A precise timer is activated once PB pin is triggered by rising or falling edge for active high or active low configuration respectively. The device generates the output corresponding to short press, once PB pin is kept low (for active low PB) or kept high (for active high PB) for more than short press ( $t_{SP}$ ) duration. The device generates output corresponding to long press if the PB pin is held in the same state for long press ( $t_{LP}$ ) duration. The timer stops and gets reset when PB pin is released. If PB is released during interrupt pulse (Figure 7-5), non-latched RESET pulse or KILL debounce time then next PB input is ignored as described in Section 6.7 and Figure 7-6.



**Figure 7-5. Push Button Functionality**



**Figure 7-6. Push Button Transition Behavior at INT Pulse**

TPS3423 has two independent push-button pins PB1 and PB2. These pins are factory programmed for short press ( $t_{SP}$ ) and long press ( $t_{LP}$ ) duration. TPS3424 has single PB pin. PB pin in TPS3424 is available both in fixed timing and user programmable option (8-pin DRL package) through capacitor connection on SPT and LPT pins. SPT and LPT pins must be floating for fixed timing option of TPS3424.

### 7.3.1.2 Push-Button Timing Programmability

TPS3424x11xxx8DRLR has options to program short press duration ( $t_{SP}$ ) and long press duration ( $t_{LP}$ ) with capacitor on SPT pin and LPT pin respectively. Equation 1 shows the relation between the press duration and the capacitance. If the pin is left floating, the device defaults to fixed timer of 50msec. Connecting a capacitor which provides less than 50msec press duration as per Equation 1, programs to 50msec press duration. Make sure  $t_{LP}$  is greater than  $t_{SP}$  for proper device operation.

$$t_{SP} \text{ or } t_{LP}(\text{sec}) = 0.422 \times C(\text{nF}) \quad (1)$$

where

- Press duration is  $t_{SP}$  for SPT capacitor and  $t_{LP}$  for LPT capacitor.
- C is the value capacitance connected on SPT or LPT pin.

The device samples the value of capacitor at SPT and LPT at the time of power-up and stores that value. Changing the capacitor after power-up does not change the value of short press ( $t_{SP}$ ) and long press ( $t_{LP}$ )

### 7.3.1.3 KILL

KILL pin is used as a control input from the host for the latched RESET version of push-button device. A short press on PB pin asserts the RESET output of push-button in latched version. The host pulls KILL high once all the expected action from short press is completed like power tree start-up. The device ignores the KILL input for  $t_{SINT} + t_{KILL}$  after short press time ( $t_{SP}$ ), this allows sufficient time for host to monitor the expected tasks for short press.

The host doesn't pull KILL high if short press doesn't perform all expected actions and the push-button device de-asserts RESET output when KILL is low after the debounce time as shown in Figure 6-4. Host can pull KILL low at any time to de-assert RESET without any long press on PB pin. Glitch immunity circuit has been implemented on the KILL pin to avoid any false RESET de-assertion. KILL input is ignored for non-latched RESET configuration. Connect KILL pin to VDD if KILL feature is not used.

### 7.3.2 Outputs

This section discusses the outputs of the TPS3423/4 devices.

#### 7.3.2.1 Interrupt ( $\overline{\text{INT}}$ )

$\overline{\text{INT}}$  is open drain active low output. This pin generates low pulse for short press and long press as shown in [Figure 6-1](#). Pulse duration for short press  $t_{\text{INTS}}$  and long press  $t_{\text{INTL}}$  is factory programmed. Please refer [Section 4](#) section for the available option for the interrupt duration.

#### 7.3.2.2 RESET / $\overline{\text{RESET}}$

RESET output of the device supports multiple configurations as described in [Table 7-2](#). This device is available in all combination as described in [Section 4](#).

**Table 7-2. Reset Configurations**

PARAMETER	VALUE
Latching option	Latched, Non-latched
Logic	Active High (AH), Active Low (AL)
Output configuration	Open Drain (OD), Push-Pull (PP)

RESET is asserted for short press and de-asserted for long press on PB pin for latched version as shown in [Figure 6-1](#). Pulling KILL pin low also de-asserts the RESET in latched version as described in [Figure 6-4](#). Non-latched RESET helps in achieving complex logic function with push-button. Non-latched RESET version of device supports multiple pattern as described in [Section 4](#). RESET pattern is always different for short press and long press. One of the non-latched RESET pattern is shown in [Figure 6-3](#).

## 7.4 Device Functional Modes

[Device Functional Modes](#) summarizes the functional modes of the push-button device.

**Device Functional Modes**

VDD	PB (Active Low)	INT	RESET (Latched, Active high )
VDD < 1V	Not Applicable	Undefined	Undefined
1V ≤ VDD < 6V	Low < $t_{\text{SP}}$	No Pulse	No State change
	Low > $t_{\text{SP}}$	Single pulse (SINT)	High
	Low > $t_{\text{LP}}$	Two pulse (SINT, LINT)	Low

## 8 Application and Implementation

### Note

Information in the following applications sections is not part of the TI component specification, and TI does not warrant its accuracy or completeness. TI's customers are responsible for determining suitability of components for their purposes, as well as validating and testing their design implementation to confirm system functionality.

### 8.1 Application Information

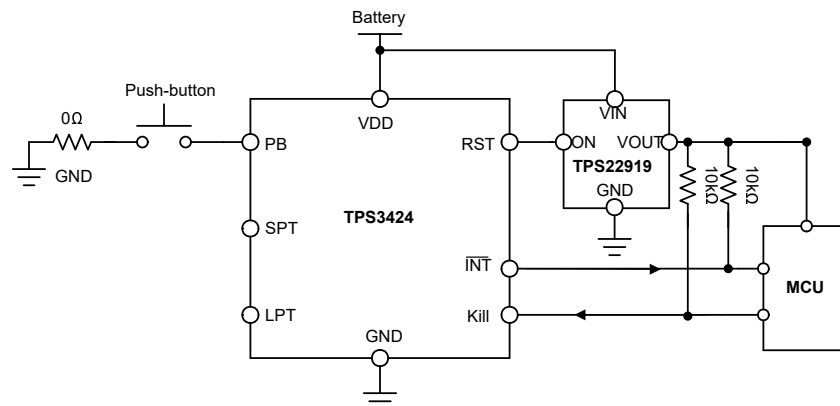
Push-button controllers play an important role in any human-machine interface (HMI) design. They decode user inputs from single or multiple button presses, control system power or reset, and perform other essential user interface functions. TPS3423 and TPS3424 devices are designed to extend the shelf life of battery powered applications.

### 8.2 Typical Applications

#### 8.2.1 Power Button Control with TPS3424

TPS3424 is designed for power button applications which need to put the system in deep sleep mode with very small standby power. TPS3424 controls enable for load switch or DC-DC converter in latched mode of RST pin.

An application diagram is shown in [Figure 8-1](#) with load switch [TPS22919](#), where TPS3424 is used to control the power from HMI.



**Figure 8-1. TPS3424 Application Diagram**

#### 8.2.1.1 Design Requirements

[Table 8-1](#) lists the design requirements for [Figure 8-1](#).

**Table 8-1. Design Requirements and Results**

DESIGN REQUIREMENTS	DESIGN RESULT
HMI Button	PB
Supply = 3V	VDD = 3V
$T_{ON} = 50\text{ms}$	$t_{SP} = 50\text{ms}$
$T_{OFF} = 2\text{sec}$	$t_{LP} = 2\text{sec}$
MCU IO pin current rating < 500uA	INT & KILL pull up = 10kΩ

### 8.2.1.2 Detailed Design Procedure

#### 8.2.1.2.1 PB and RESET Topology

Selection of push-button input topology depends on the HMI. The button press in this application shorts PB pin to GND with a low resistor, hence active low PB topology is chosen here. Selection of RESET pin topology depends on the ON pin behaviour of the load switch or the voltage regulator in power control applications. Active high latched REST is chosen topology is chosen here to turn-on the load switch at short press and turn-off at long press.

#### 8.2.1.2.2 Short Press Time ( $t_{SP}$ ) and Long Press Time ( $t_{LP}$ ) selection

$t_{SP}$ = 50ms and  $t_{LP}$ = 2sec can be selected through the factory programmed option or placing capacitor at the SPT and LPT pin for programmable option. Leave the SPT and LPT pin open as shown in [Figure 8-1](#) for factory programmed timing option. [Equation 1](#) and [Equation 2](#) shows the value for capacitor at SPT and LPT pin respectively for programming  $t_{SP}$ = 50ms and  $t_{LP}$ = 2sec in cap programmable option.

$$C_{SPT}(nF) = \text{Open} \quad (2)$$

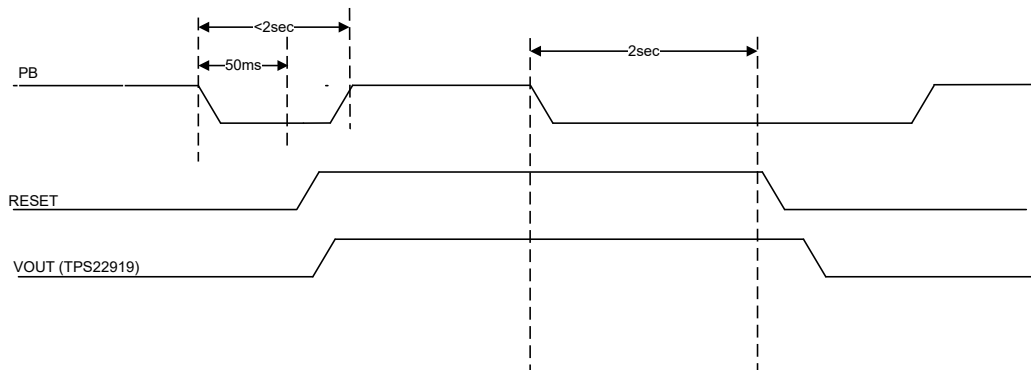
$$C_{LPT}(nF) = \frac{2 \text{ sec}}{0.422} = 4.7 \quad (3)$$

#### 8.2.1.2.3 Interrupt and Kill Feature

TPS3424 generated a pulse on  $\overline{INT}$  pin for every valid short press and long press. This feature can be used as feature traverser (eg. showing different value on screen).

KILL feature enables host to control the RESET output of TPS3424 as described in [Section 7.3.1.3](#). KILL pin enables the host to put the system in deep sleep when unused for given time. Short KILL to  $V_{DD}$  pin if KILL feature is not used.

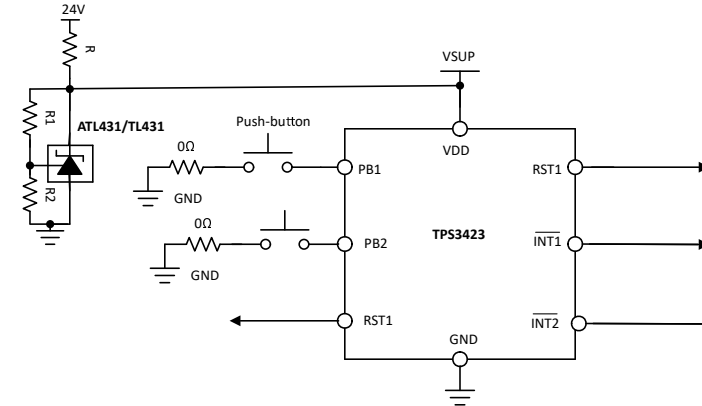
#### 8.2.1.3 Application Curve



**Figure 8-2. Power Control Through Load Switch**

### 8.2.2 High Voltage Connection

Low current shunt regulator ATL431 enables the push-button to be used with 12V/24V battery powered application as shown in [Figure 8-3](#).



**Figure 8-3. High Voltage Support With ATL431**

### 8.3 Power Supply Recommendations

This device is designed to operate from an input supply with a voltage range between 1V and 6V. An input supply capacitor is not required for this device; however, if the input supply is noisy, then good analog practice is to place a 0.1µF capacitor between the VDD pin and the GND pin.

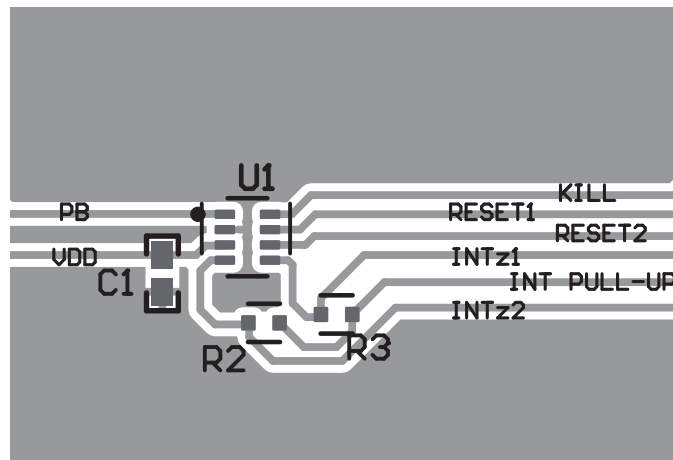
### 8.4 Layout

#### 8.4.1 Layout Guidelines

Follow these guidelines for laying out the printed circuit board (PCB) that is used for the TPS3423 and TPS3424.

- Make sure that the connection to the VDD pin is low impedance. Good analog design practice recommends placing a 0.1µF ceramic capacitor as near as possible to the VDD pin.
- Place the external capacitor on close to LPT and SPT pin for TPS3424.
- Parasitic on LPT and SPT must be less than 50pF when these pins are floating for TPS3424.

#### 8.4.2 Layout Example



**Figure 8-4. TPS3423: Layout Example (8-Pin DRL Package)**

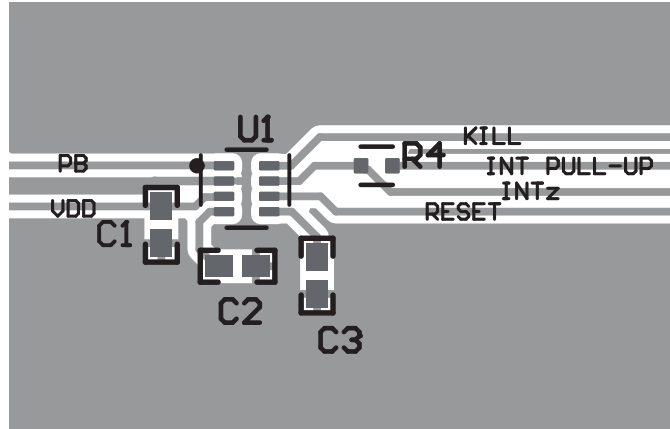


Figure 8-5. TPS3424: Layout Example (8-Pin DRL Package)

## 9 Device and Documentation Support

### 9.1 Receiving Notification of Documentation Updates

To receive notification of documentation updates, navigate to the device product folder on [ti.com](https://www.ti.com). Click on *Notifications* to register and receive a weekly digest of any product information that has changed. For change details, review the revision history included in any revised document.

### 9.2 Support Resources

[TI E2E™ support forums](#) are an engineer's go-to source for fast, verified answers and design help — straight from the experts. Search existing answers or ask your own question to get the quick design help you need.

Linked content is provided "AS IS" by the respective contributors. They do not constitute TI specifications and do not necessarily reflect TI's views; see TI's [Terms of Use](#).

### 9.3 Trademarks

TI E2E™ is a trademark of Texas Instruments.  
All trademarks are the property of their respective owners.

### 9.4 Electrostatic Discharge Caution



This integrated circuit can be damaged by ESD. Texas Instruments recommends that all integrated circuits be handled with appropriate precautions. Failure to observe proper handling and installation procedures can cause damage.

ESD damage can range from subtle performance degradation to complete device failure. Precision integrated circuits may be more susceptible to damage because very small parametric changes could cause the device not to meet its published specifications.

### 9.5 Glossary

[TI Glossary](#) This glossary lists and explains terms, acronyms, and definitions.

## 10 Revision History

NOTE: Page numbers for previous revisions may differ from page numbers in the current version.

Changes from Revision B (March 2025) to Revision C (August 2025)	Page
• Add -40C to 85C IDD (Active) specifications for Push Button pressed event.....	8

Changes from Revision A (December 2024) to Revision B (March 2025)	Page
• Added information for TPS3424 release throughout the document.....	1
• Changed <i>Pin Configuration and Functions</i> section; updated table format, added clarification for 6 pin DR option and added 10sec RESET option.....	3
• Clarified the timing diagram. ....	10

Changes from Revision * (September 2024) to Revision A (December 2024)	Page
• Production Data Release.....	1

## 11 Mechanical, Packaging, and Orderable Information

The following pages include mechanical, packaging, and orderable information. This information is the most current data available for the designated devices. This data is subject to change without notice and revision of this document. For browser-based versions of this data sheet, refer to the left-hand navigation.

## PACKAGING INFORMATION

Orderable part number	Status (1)	Material type (2)	Package   Pins	Package qty   Carrier	RoHS (3)	Lead finish/ Ball material (4)	MSL rating/ Peak reflow (5)	Op temp (°C)	Part marking (6)
<a href="#">TPS3423CAHDFADRLR</a>	Active	Production	SOT-5X3 (DRL)   8	4000   LARGE T&R	Yes	SN	Level-1-260C-UNLIM	-40 to 125	D0003
<a href="#">TPS3423GAMDHADRLR</a>	Active	Production	SOT-5X3 (DRL)   8	4000   LARGE T&R	Yes	SN	Level-1-260C-UNLIM	-40 to 125	D0001
TPS3423GAMDHADRLR.A	Active	Production	SOT-5X3 (DRL)   8	4000   LARGE T&R	Yes	SN	Level-1-260C-UNLIM	-40 to 125	D0001
TPS3423GAMDHADRLR.B	Active	Production	SOT-5X3 (DRL)   8	4000   LARGE T&R	-	Call TI	Call TI	-40 to 125	
<a href="#">TPS3424A11C13ADRLR</a>	Active	Production	SOT-5X3 (DRL)   8	4000   LARGE T&R	Yes	SN	Level-1-260C-UNLIM	-40 to 125	S0001
<a href="#">TPS3424C11EF2ADRLR</a>	Active	Production	SOT-5X3 (DRL)   8	4000   LARGE T&R	Yes	SN	Level-1-260C-UNLIM	-40 to 125	P4SNG

<sup>(1)</sup> **Status:** For more details on status, see our [product life cycle](#).

<sup>(2)</sup> **Material type:** When designated, preproduction parts are prototypes/experimental devices, and are not yet approved or released for full production. Testing and final process, including without limitation quality assurance, reliability performance testing, and/or process qualification, may not yet be complete, and this item is subject to further changes or possible discontinuation. If available for ordering, purchases will be subject to an additional waiver at checkout, and are intended for early internal evaluation purposes only. These items are sold without warranties of any kind.

<sup>(3)</sup> **RoHS values:** Yes, No, RoHS Exempt. See the [TI RoHS Statement](#) for additional information and value definition.

<sup>(4)</sup> **Lead finish/Ball material:** Parts may have multiple material finish options. Finish options are separated by a vertical ruled line. Lead finish/Ball material values may wrap to two lines if the finish value exceeds the maximum column width.

<sup>(5)</sup> **MSL rating/Peak reflow:** The moisture sensitivity level ratings and peak solder (reflow) temperatures. In the event that a part has multiple moisture sensitivity ratings, only the lowest level per JEDEC standards is shown. Refer to the shipping label for the actual reflow temperature that will be used to mount the part to the printed circuit board.

<sup>(6)</sup> **Part marking:** There may be an additional marking, which relates to the logo, the lot trace code information, or the environmental category of the part.

Multiple part markings will be inside parentheses. Only one part marking contained in parentheses and separated by a "~" will appear on a part. If a line is indented then it is a continuation of the previous line and the two combined represent the entire part marking for that device.

**Important Information and Disclaimer:** The information provided on this page represents TI's knowledge and belief as of the date that it is provided. TI bases its knowledge and belief on information provided by third parties, and makes no representation or warranty as to the accuracy of such information. Efforts are underway to better integrate information from third parties. TI has taken and continues to take reasonable steps to provide representative and accurate information but may not have conducted destructive testing or chemical analysis on incoming materials and chemicals. TI and TI suppliers consider certain information to be proprietary, and thus CAS numbers and other limited information may not be available for release.

In no event shall TI's liability arising out of such information exceed the total purchase price of the TI part(s) at issue in this document sold by TI to Customer on an annual basis.



**TAPE AND REEL INFORMATION**

**QUADRANT ASSIGNMENTS FOR PIN 1 ORIENTATION IN TAPE**


\*All dimensions are nominal

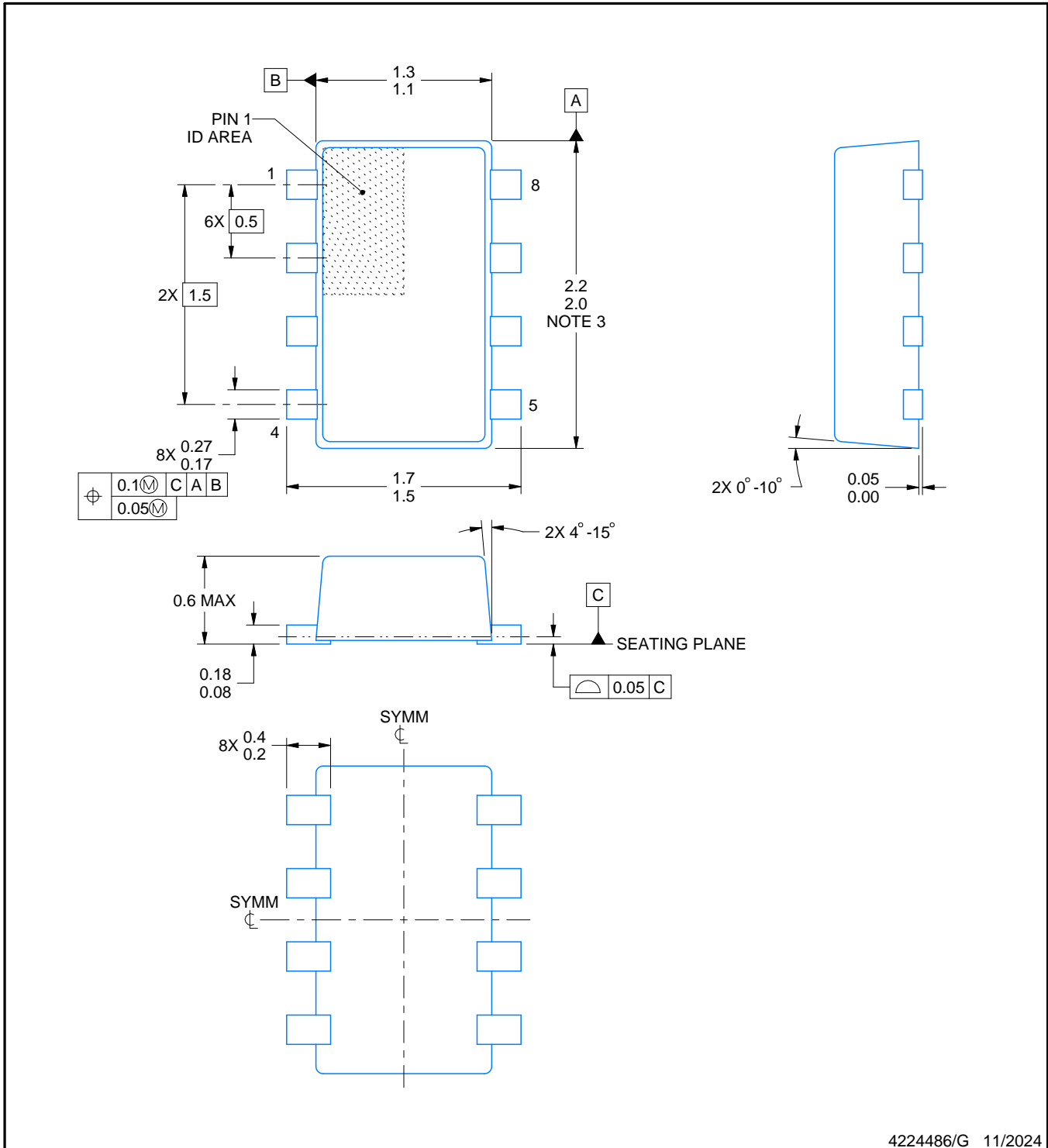
Device	Package Type	Package Drawing	Pins	SPQ	Reel Diameter (mm)	Reel Width W1 (mm)	A0 (mm)	B0 (mm)	K0 (mm)	P1 (mm)	W (mm)	Pin1 Quadrant
TPS3423CAHDFADRLR	SOT-5X3	DRL	8	4000	180.0	8.4	2.75	1.9	0.8	4.0	8.0	Q3
TPS3423GAMDHADRLR	SOT-5X3	DRL	8	4000	180.0	8.4	2.75	1.9	0.8	4.0	8.0	Q3
TPS3424A11C13ADRLR	SOT-5X3	DRL	8	4000	180.0	8.4	2.75	1.9	0.8	4.0	8.0	Q3
TPS3424C11EF2ADRLR	SOT-5X3	DRL	8	4000	180.0	8.4	2.75	1.9	0.8	4.0	8.0	Q3

## TAPE AND REEL BOX DIMENSIONS



\*All dimensions are nominal

Device	Package Type	Package Drawing	Pins	SPQ	Length (mm)	Width (mm)	Height (mm)
TPS3423CAHDFADRLR	SOT-5X3	DRL	8	4000	210.0	185.0	35.0
TPS3423GAMDHADRLR	SOT-5X3	DRL	8	4000	210.0	185.0	35.0
TPS3424A11C13ADRLR	SOT-5X3	DRL	8	4000	210.0	185.0	35.0
TPS3424C11EF2ADRLR	SOT-5X3	DRL	8	4000	210.0	185.0	35.0



4224486/G 11/2024

NOTES:

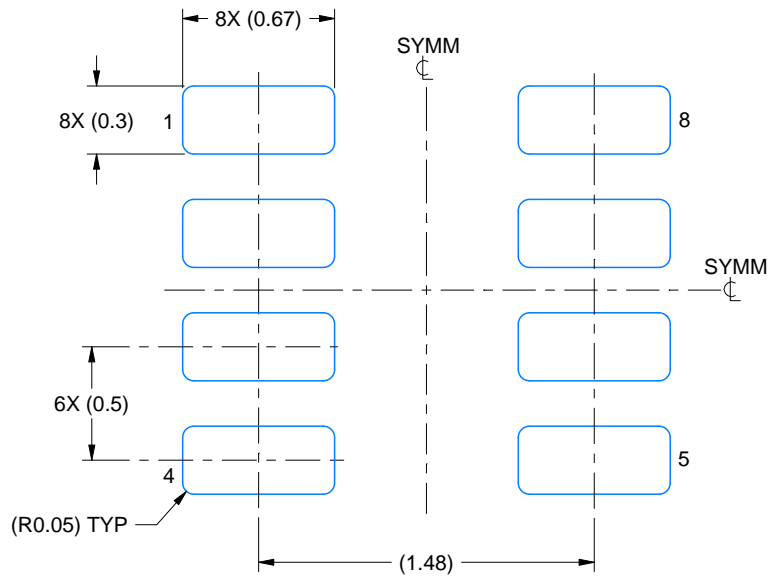
1. All linear dimensions are in millimeters. Any dimensions in parenthesis are for reference only. Dimensioning and tolerancing per ASME Y14.5M.
2. This drawing is subject to change without notice.
3. This dimension does not include mold flash, protrusions, or gate burrs. Mold flash, interlead flash, protrusions, or gate burrs shall not exceed 0.15 mm per side.
4. Reference JEDEC Registration MO-293, Variation UDAD

# EXAMPLE BOARD LAYOUT

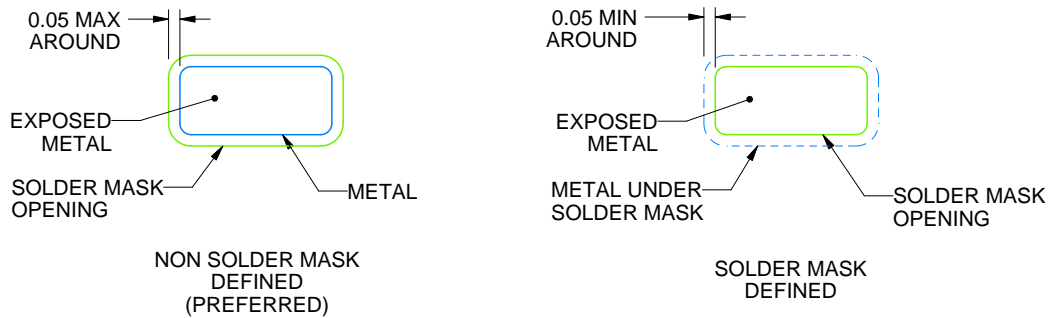
DRL0008A

SOT-5X3 - 0.6 mm max height

PLASTIC SMALL OUTLINE



LAND PATTERN EXAMPLE  
EXPOSED METAL SHOWN  
SCALE:30X



SOLDERMASK DETAILS

4224486/G 11/2024

NOTES: (continued)

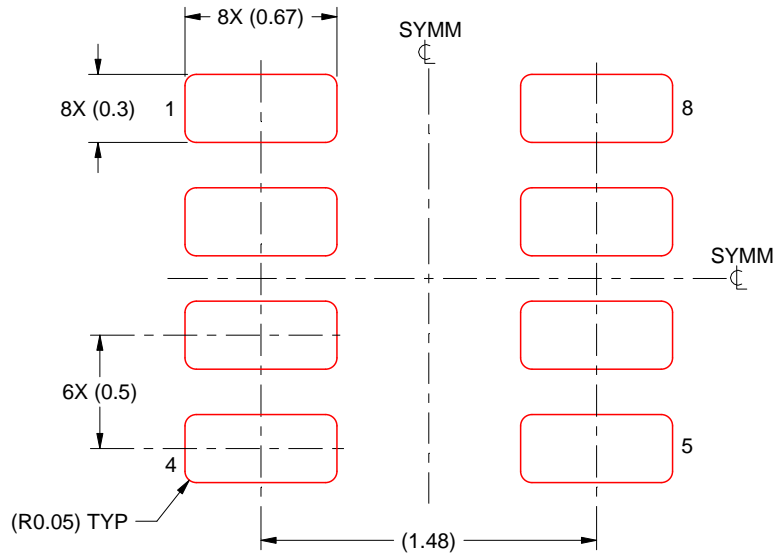
5. Publication IPC-7351 may have alternate designs.
6. Solder mask tolerances between and around signal pads can vary based on board fabrication site.
7. Land pattern design aligns to IPC-610, Bottom Termination Component (BTC) solder joint inspection criteria.

# EXAMPLE STENCIL DESIGN

DRL0008A

SOT-5X3 - 0.6 mm max height

PLASTIC SMALL OUTLINE



SOLDER PASTE EXAMPLE  
BASED ON 0.1 mm THICK STENCIL  
SCALE:30X

4224486/G 11/2024

NOTES: (continued)

- 8. Laser cutting apertures with trapezoidal walls and rounded corners may offer better paste release. IPC-7525 may have alternate design recommendations.
- 9. Board assembly site may have different recommendations for stencil design.

## IMPORTANT NOTICE AND DISCLAIMER

TI PROVIDES TECHNICAL AND RELIABILITY DATA (INCLUDING DATASHEETS), DESIGN RESOURCES (INCLUDING REFERENCE DESIGNS), APPLICATION OR OTHER DESIGN ADVICE, WEB TOOLS, SAFETY INFORMATION, AND OTHER RESOURCES "AS IS" AND WITH ALL FAULTS, AND DISCLAIMS ALL WARRANTIES, EXPRESS AND IMPLIED, INCLUDING WITHOUT LIMITATION ANY IMPLIED WARRANTIES OF MERCHANTABILITY, FITNESS FOR A PARTICULAR PURPOSE OR NON-INFRINGEMENT OF THIRD PARTY INTELLECTUAL PROPERTY RIGHTS.

These resources are intended for skilled developers designing with TI products. You are solely responsible for (1) selecting the appropriate TI products for your application, (2) designing, validating and testing your application, and (3) ensuring your application meets applicable standards, and any other safety, security, regulatory or other requirements.

These resources are subject to change without notice. TI grants you permission to use these resources only for development of an application that uses the TI products described in the resource. Other reproduction and display of these resources is prohibited. No license is granted to any other TI intellectual property right or to any third party intellectual property right. TI disclaims responsibility for, and you fully indemnify TI and its representatives against any claims, damages, costs, losses, and liabilities arising out of your use of these resources.

TI's products are provided subject to [TI's Terms of Sale](#), [TI's General Quality Guidelines](#), or other applicable terms available either on [ti.com](http://ti.com) or provided in conjunction with such TI products. TI's provision of these resources does not expand or otherwise alter TI's applicable warranties or warranty disclaimers for TI products. Unless TI explicitly designates a product as custom or customer-specified, TI products are standard, catalog, general purpose devices.

TI objects to and rejects any additional or different terms you may propose.

Copyright © 2026, Texas Instruments Incorporated

Last updated 10/2025