

# ±12V Voltage Sensing Circuit With an Isolated Amplifier and Pseudo-Differential Input SAR ADC



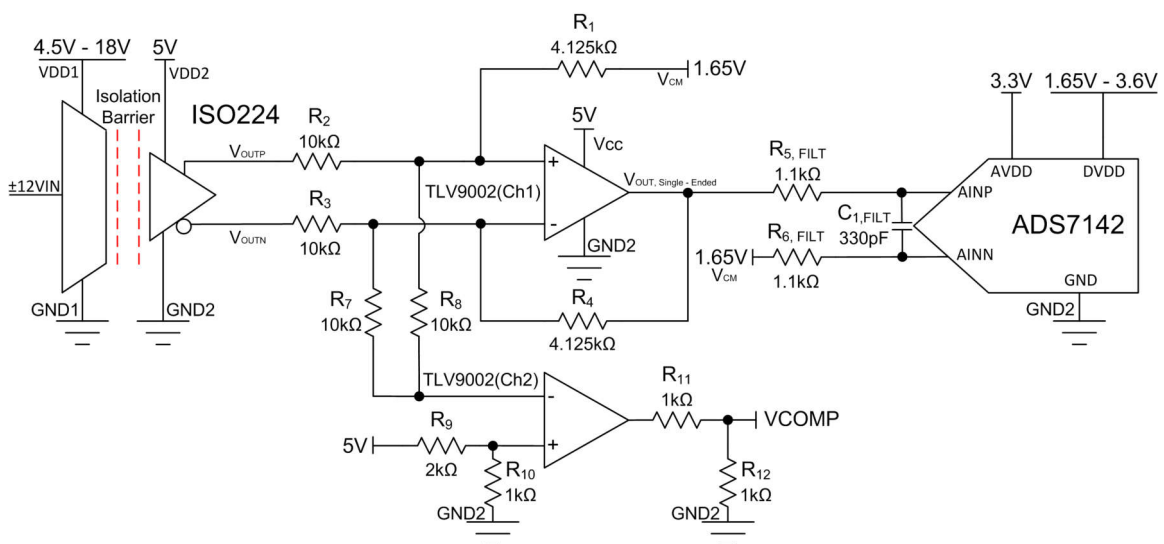
ISO224 Input Voltage	ISO224 Output ( $V_{OUTP} - V_{OUTN}$ )	ADS7142 Input (Pseudo-Differential)	ADS7142 Digital Output
12V	4V	3.3V	FFF <sub>H</sub>
-12V	-4V	0V	000 <sub>H</sub>

Power Supplies and Reference Voltages			
VDD1	VDD2 and Vcc	AVDD	GND
4.5V - 18V	5V	3.3V	0V

## Design Description

This circuit performs a ±12V isolated voltage sensing measurement using the [ISO224](#) isolated amplifier, [TLV9002](#) operational amplifier, and the [ADS7142](#) SAR ADC. The [ISO224](#) can measure single-ended signals of ±12V with a fixed gain of 1/3 V/V and produces a ±4V isolated differential output voltage with an output common-mode voltage of  $V_{DD2} / 2$ . Channel 1 of the [TLV9002](#) conditions the output of the [ISO224](#) to fit the input range of the [ADS7142](#), while channel 2 monitors the [ISO224](#) fail-safe output. The [ADS7142](#) is a dual-channel ADC with a full-scale input and reference voltage of AVDD which can range from 1.65V to 3.6V. For this cookbook circuit, the [ADS7142](#) dual-channel input is used in a pseudo-differential configuration which allows for both positive and negative signals to be measured by the [ISO224](#). This circuit is applicable to many high voltage industrial applications, such as [Train Control and Management Systems](#), [Analog Input Modules](#), and [Inverter and Motor Control](#). The equations and explanation of component selection in this design can be customized based on system specifications and requirements.



## Specifications

Specification	Calculated	Simulated
Transient ADC input settling at 140kSPS	403 $\mu$ V	88 $\mu$ V
Conditioned signal range	0V–3.3V	0V–3.3V
Noise (at the input)	262 $\mu$ V <sub>RMS</sub>	526 $\mu$ V <sub>RMS</sub>
Closed-loop bandwidth	175kHz	145kHz

## Design Notes

- The [ISO224](#) was selected due to the wide input range, flexible power configuration, and high accuracy.
- The [ADS7142](#) was selected due to very low power, high level of integration, flexible power configurations, and small size.
- The [TLV9002](#) operational amplifier was selected for the cost optimization, configuration options, and small size.
- Select low impedance, low noise sources for AVDD, V<sub>CM</sub>, and the pseudo-differential input to AINN which sets the common-mode voltage of the ADC.
- Find the ADC full-scale range and common-mode specifications. This is discussed in component selection.
- Select a COG capacitor for C<sub>FILT</sub> to minimize distortion.
- For best performance, consider using a 0.1% 20ppm/°C film resistor for R<sub>FILT1,2</sub> or better to minimize distortion.
- [Understanding and Calibrating the Offset and Gain for ADC Systems](#) discusses methods for error analysis. Review the link for methods to minimize gain, offset, drift, and noise errors.
- The [TI Precision Labs - ADCs](#) training video series discusses methods for selecting the charge bucket circuit R<sub>FILT</sub> and C<sub>FILT</sub>. These component values are dependent on the amplifier bandwidth, data converter sampling rate, and data converter design. The values shown here provide good settling and AC performance for the amplifier and data converter in this example. If the design is modified, a different RC filter must be selected. See [Introduction to SAR ADC Front-End Component Selection](#) for an explanation of how to select the RC filter for best settling and AC performance.

## Component Selection

- Select an isolated amplifier based on the input voltage range and determine the output common-mode voltage and output voltage range:

The [ISO224](#) power supplies can be 4.5V to 18V for the high-side power supply, and 4.5V to 5.5V for the low-side power supply. The ISO224 has a  $\pm 12$ V single-ended input range with a fixed gain of  $\frac{1}{3}$ V/V, yielding a  $\pm 4$ V differential output at a common-mode voltage of  $V_{DD2} / 2$ , 2.5V for this example:

$$\frac{\pm 12V_{IN, Single - Ended}}{3} = \pm 4V_{OUT, Differential} \text{ at } 2.5V\left(\frac{V_{DD2}}{2}\right) \text{ common - mode}$$

- Select an ADC with small size and low power:

The [ADS7142](#) is a small sized, low power, dual channel ADC that can be used in a pseudo-differential configuration. The maximum input range is set by the reference voltage and is equal to AVDD, 3.3V for this example:

$$ADC_{Full - Scale Range} = V_{REF} = AVDD = 3.3V$$

Find the required ADC common-mode voltage for pseudo-differential measurements:

$$V_{CM} = \frac{V_{REF}}{2} = 1.65V$$

- Select an operational amplifier that can convert the  $\pm 4$ V differential, 2.5V common-mode output of the ISO224 to the 3.3V pseudo-differential, 1.65V common-mode input of the ADS7142. Additionally, selecting an operational amplifier with a second channel that can monitor the fail-safe output feature of the ISO224 is preferred.

The TLV9002 is a 2 channel, rail-to-rail input and output amplifier optimized for cost sensitive and small size applications.

Channel 1 is used to convert the  $\pm 4V$  differential, 2.5V common-mode output of the ISO224 to a 3.3V peak pseudo-differential output with a common-mode voltage of 1.65V. When  $R1 = R4$  and  $R2 = R3$ , the transfer function is set by the following equation:

$$V_{OUT} = V_{OUTP} \left( \frac{R_4}{R_3} \right) + V_{OUTN} \left( \frac{R_1}{R_2} \right) + V_{CM}$$

The signal must be converted from  $\pm 4V$  to 3.3V, this means that the signal must be reduced by a factor of  $3.3V / \pm 4V = 3.3V / 8V$ . Substituting  $V_{CM}$  with the previously calculated value of 1.65V and setting  $R2$  and  $R3$  to  $10k\Omega$  yields the following equations:

$$3.3V = 4V \left( \frac{R_4}{10k\Omega} \right) + 1.65V \quad 0V = -4V \left( \frac{R_1}{10k\Omega} \right) + 1.65V$$

Solving for  $R1$  and  $R4$  yields values of  $4.125k\Omega$ .

Additional information on this topic can be seen in the [Interfacing a Differential-Output \(Isolated\) Amplifier to a Single-Ended Input ADC](#) application brief.

Channel 2 of the TLV9002 is used to monitor the fail-safe output feature of the ISO224. The ISO224 fail-safe output feature becomes active whenever the high-side power supply ( $V_{DD1}$ ) is missing independent of the input signal on the  $V_{IN}$  pin. The TLV9002 channel 2 output ( $V_{COMP}$ ) is fed to a GPIO port on the system controller and goes high whenever the fail-safe output feature is active. For additional details, see the [Fail-Safe Output Feature](#) application note.

4. Select  $R_{1FILT}$ ,  $R_{2FILT}$ , and  $C_{FILT}$  for settling of the input signal and sample rate of 140kSPS:

[Refine the  \$R\_{FILT}\$  and  \$C\_{FILT}\$  Values](#) is a TI Precision Labs video showing the methodology for selecting  $R_{FILT}$  and  $C_{FILT}$ . The final value of  $1.1k\Omega$  and  $330pF$  proved to settle to well below  $\frac{1}{2}$  of a least significant bit (LSB) within the acquisition window.

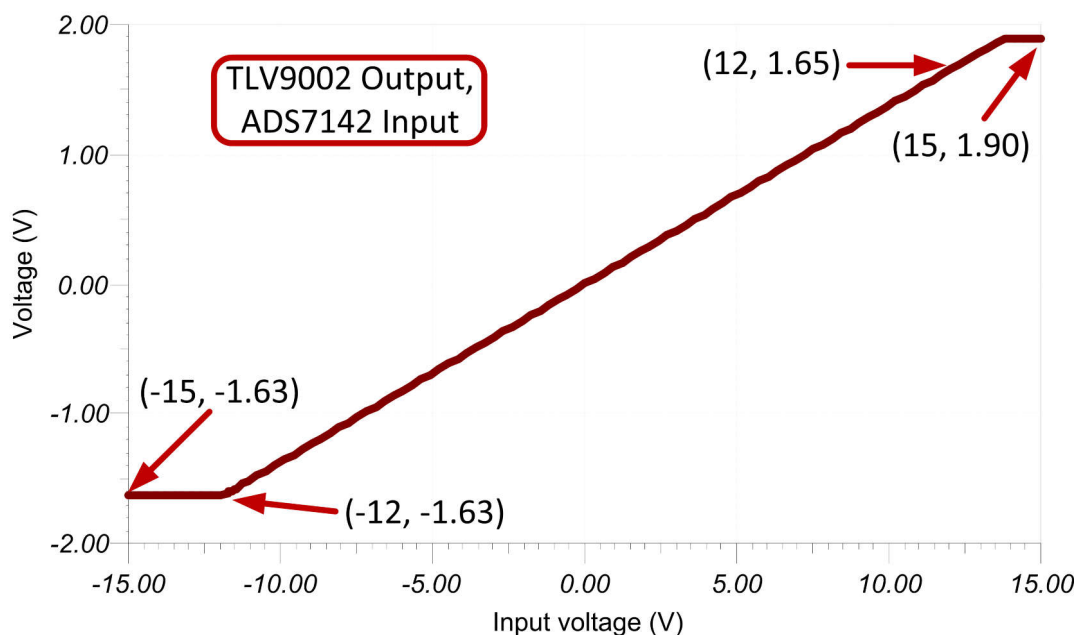
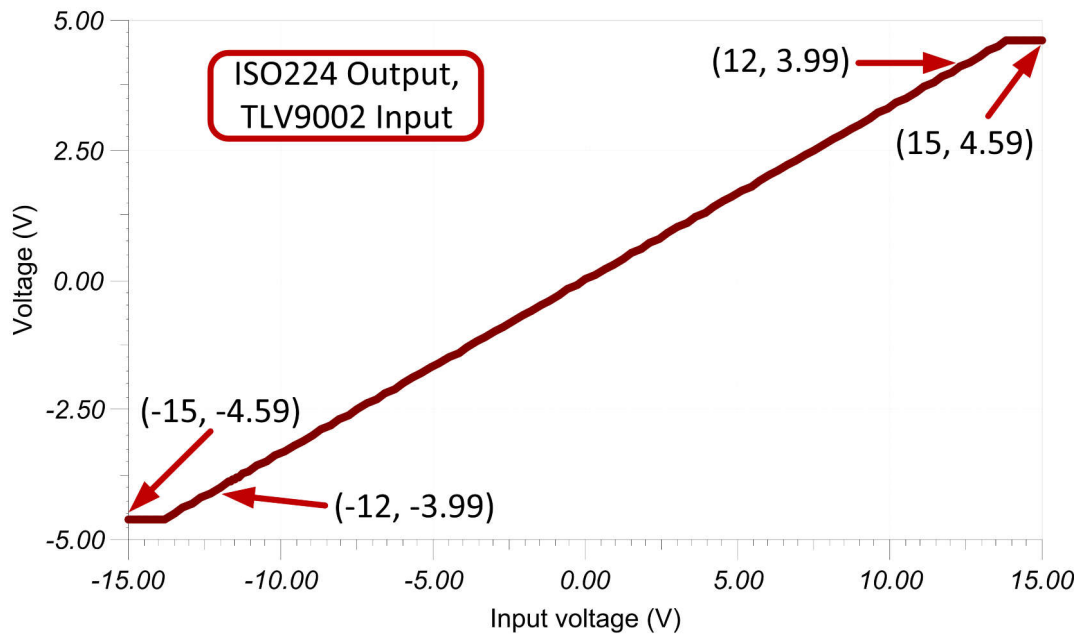
## DC Transfer Characteristics

The following graphs show the simulated inputs of the TLV9002 and the ADS7142 from a  $\pm 15V$  input signal to the ISO224. The ISO224 has a linear output of  $\pm V_{IN} / 3$  and the input to the TLV9002 can be seen in the first graph. The second graph shows that the TLV9002 further reduces the gain by  $V_{IN} / 2.43$  and shifts the common mode to 1.65V. This results in the full-range  $\pm 12V$  input signal using the 0V – 3.3V full-scale range (FSR) of the ADC with  $AV_{DD} = V_{REF} = 3.3V$ .

The following transfer function shows that the gain of the ISO224 and TLV9002 is  $1/7.28V/V$ .

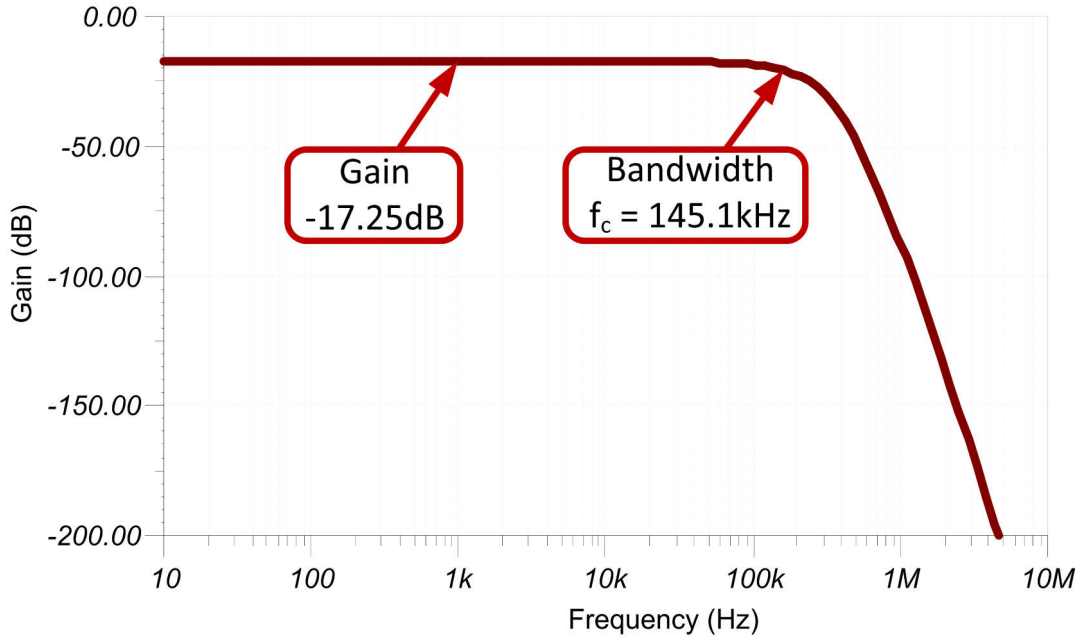
$$\text{Gain}_{\text{ISO224}} \times \text{Gain}_{\text{TLV9002}} \times V_{\text{IN}} = V_{\text{OUT}}$$

$$\frac{1}{3} \times \frac{1}{2.43} \times 12V = \frac{1}{7.28} \times 12V = 1.65V$$



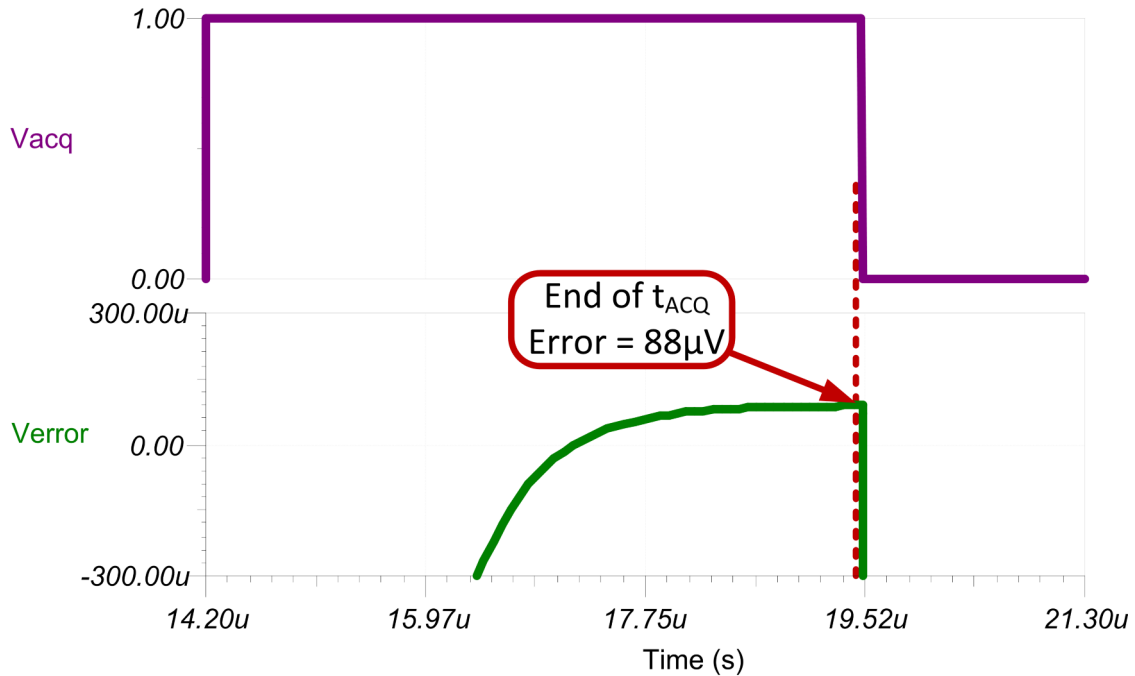
### AC Transfer Characteristics

The simulated bandwidth of the signal chain is approximately 145kHz and the gain is  $-17.25\text{dB}$ , which is a linear gain of approximately  $0.137\text{V/V}$  (attenuation ratio  $1/7.28\text{V/V}$ ). This matches the expected gain of the system.



### Transient ADC Input Settling Simulation

The following simulation shows the transient settling results with an acquisition time of  $5.3\mu\text{s}$ . The  $88\mu\text{V}$  of noise is well within the  $0.5 \times \text{LSB}$  limit of  $403\mu\text{V}$ . See [Refine the Rfilt and Cfilt Values](#) for detailed theory on this subject.



## Noise Simulation

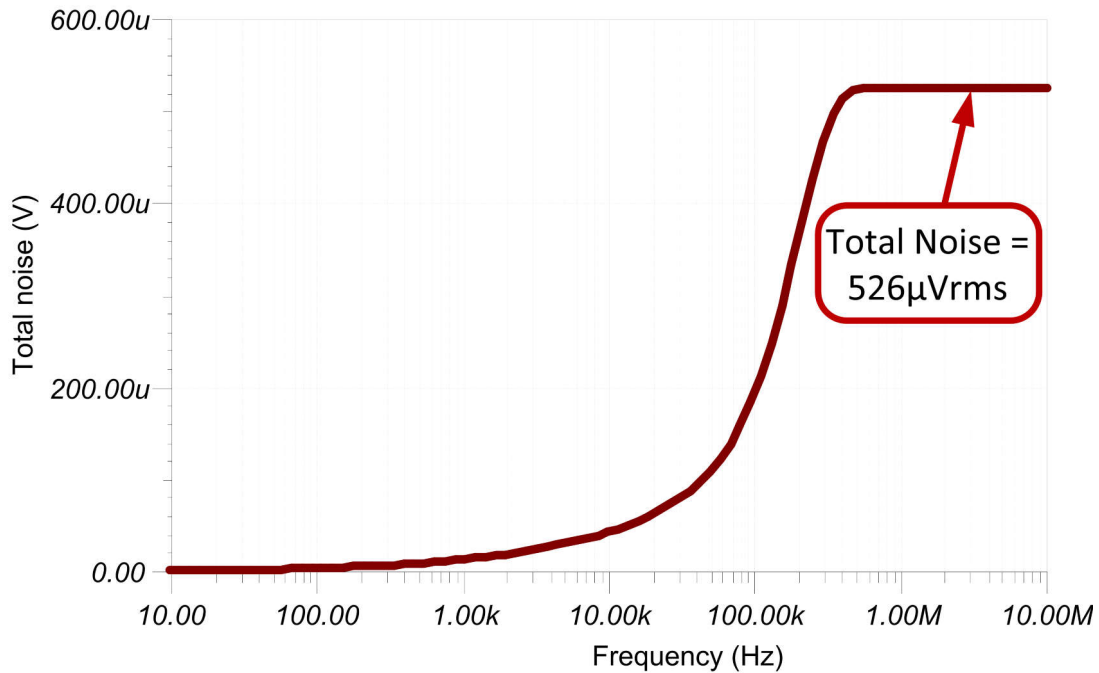
The simulated noise seen at the input of the ADC is greater than the expected calculated noise. This difference is due to noise peaking in the simulation model which is not included in the calculation. The following equations show that the ISO224 noise dominates the signal chain, and that the noise from the TLV9002 is negligible. See [Calculating the Total Noise for ADC Systems](#) for detailed theory on this subject.

$$E_n = \text{Gain}(e_n) = \sqrt{(1.57 \times \text{BW})}$$

$$E_{n\text{ISO224A}} = \frac{1}{3} \times \frac{1}{2.43} \left( \frac{4\mu\text{V}}{\sqrt{\text{Hz}}} \right) \times \sqrt{1.57 \times 145\text{kHz}} = 262\mu\text{V}_{\text{RMS}}$$

$$E_{n\text{TLV9002}} = \frac{1}{2.43} \left( \frac{27\text{nV}}{\sqrt{\text{Hz}}} \right) \times \sqrt{1.57 \times 145\text{kHz}} = 5\mu\text{V}_{\text{RMS}}$$

$$E_{n\text{ISO224A} + \text{TLV9002}} = E_{n\text{ISO224A}} + E_{n\text{TLV9002}} = \sqrt{262^2\mu\text{V}_{\text{RMS}} + 5^2\mu\text{V}_{\text{RMS}}} = 262\mu\text{V}_{\text{RMS}}$$



## Design References

See [Analog Engineer's Circuit Cookbooks](#) for TI's comprehensive circuit library.

## Link to Key Files

TINA files for Isolated Design: [SBAC226](#).

## Design Featured Devices

Device	Key Features	Link	Similar Devices
ISO224	$\pm 12\text{V}$ single-ended input range, fixed gain of $\frac{1}{3}$ , yielding $\pm 4\text{V}$ differential output, output common-mode voltage of 2.5V, 4.5V to 18V high-side power supply, 4.5V to 5.5V low side power supply, input offset: $\pm 5\text{mV}$ at $25^\circ\text{C}$ , $\pm 42\mu\text{V}/^\circ\text{C}$ maximum, gain error: $\pm 0.3\%$ at $25^\circ\text{C}$ , $\pm 50\text{ppm}/^\circ\text{C}$ maximum, nonlinearity: $\pm 0.01\%$ maximum, $\pm 1\text{ppm}/^\circ\text{C}$ , high-input impedance of $1.25\text{M}\Omega$ .	<a href="#">ISO224</a>	<a href="http://www.ti.com/isoamps">www.ti.com/isoamps</a>
ADS7142	Dual-channel, full-scale input span and reference set by AVDD, 12-bit performance by default, 16-bit performance with high precision mode, very low current consumption of $0.45\mu\text{A}$ at 600SPS.	<a href="#">ADS7142</a>	<a href="https://www.ti.com/PrecisionADCs">https://www.ti.com/PrecisionADCs</a>
TLV9002	Dual-channel, rail-to-rail input and output amplifier, low broadband noise of $2727\text{nV}/\sqrt{\text{Hz}}$ , low input offset voltage of $\pm 0.04\text{mV}$ .	<a href="#">TLV9002</a>	<a href="https://www.ti.com/opamps">https://www.ti.com/opamps</a>

## Trademarks

All trademarks are the property of their respective owners.

## IMPORTANT NOTICE AND DISCLAIMER

TI PROVIDES TECHNICAL AND RELIABILITY DATA (INCLUDING DATA SHEETS), DESIGN RESOURCES (INCLUDING REFERENCE DESIGNS), APPLICATION OR OTHER DESIGN ADVICE, WEB TOOLS, SAFETY INFORMATION, AND OTHER RESOURCES "AS IS" AND WITH ALL FAULTS, AND DISCLAIMS ALL WARRANTIES, EXPRESS AND IMPLIED, INCLUDING WITHOUT LIMITATION ANY IMPLIED WARRANTIES OF MERCHANTABILITY, FITNESS FOR A PARTICULAR PURPOSE OR NON-INFRINGEMENT OF THIRD PARTY INTELLECTUAL PROPERTY RIGHTS.

These resources are intended for skilled developers designing with TI products. You are solely responsible for (1) selecting the appropriate TI products for your application, (2) designing, validating and testing your application, and (3) ensuring your application meets applicable standards, and any other safety, security, regulatory or other requirements.

These resources are subject to change without notice. TI grants you permission to use these resources only for development of an application that uses the TI products described in the resource. Other reproduction and display of these resources is prohibited. No license is granted to any other TI intellectual property right or to any third party intellectual property right. TI disclaims responsibility for, and you will fully indemnify TI and its representatives against, any claims, damages, costs, losses, and liabilities arising out of your use of these resources.

TI's products are provided subject to [TI's Terms of Sale](#) or other applicable terms available either on [ti.com](https://www.ti.com) or provided in conjunction with such TI products. TI's provision of these resources does not expand or otherwise alter TI's applicable warranties or warranty disclaimers for TI products.

TI objects to and rejects any additional or different terms you may have proposed.

Mailing Address: Texas Instruments, Post Office Box 655303, Dallas, Texas 75265  
Copyright © 2024, Texas Instruments Incorporated