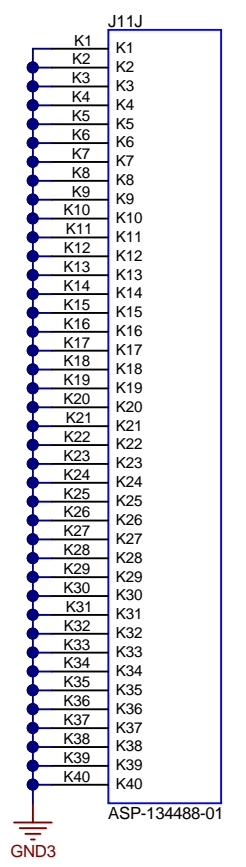
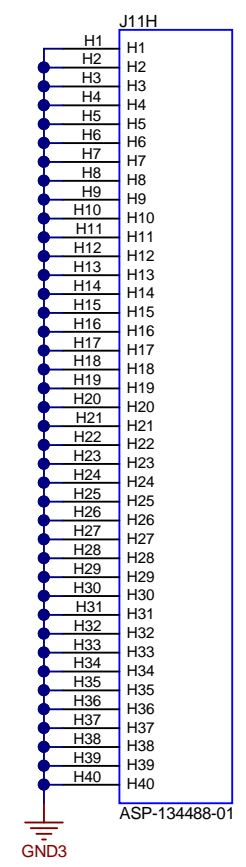
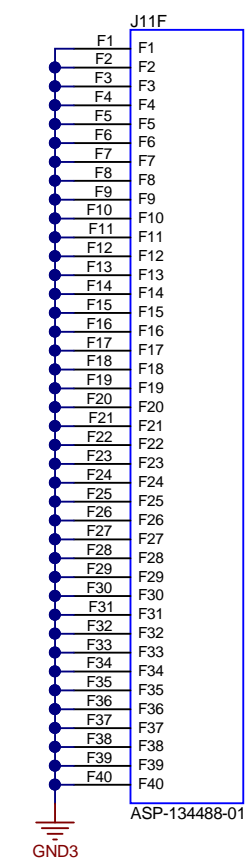
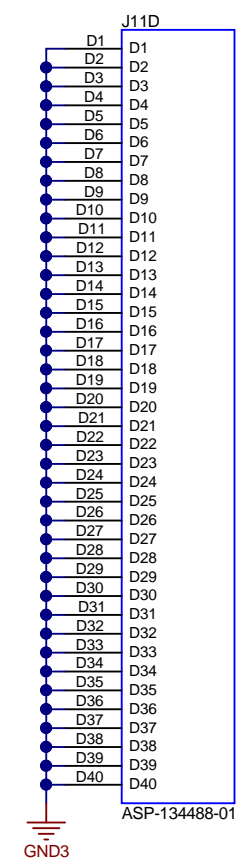
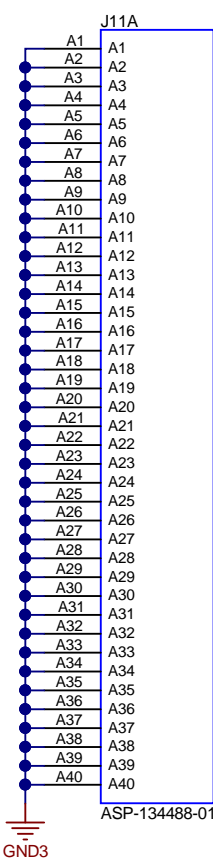
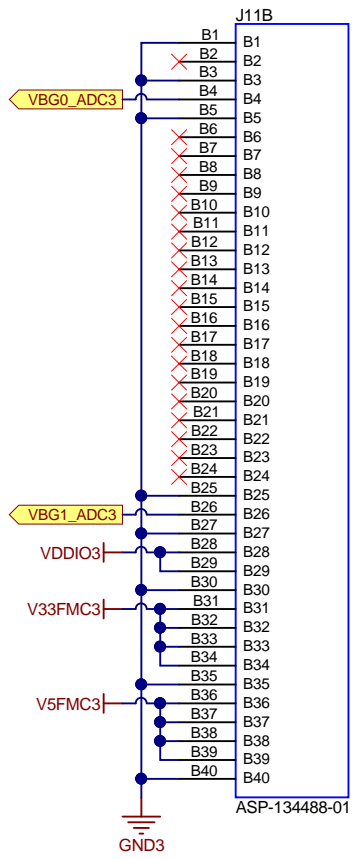
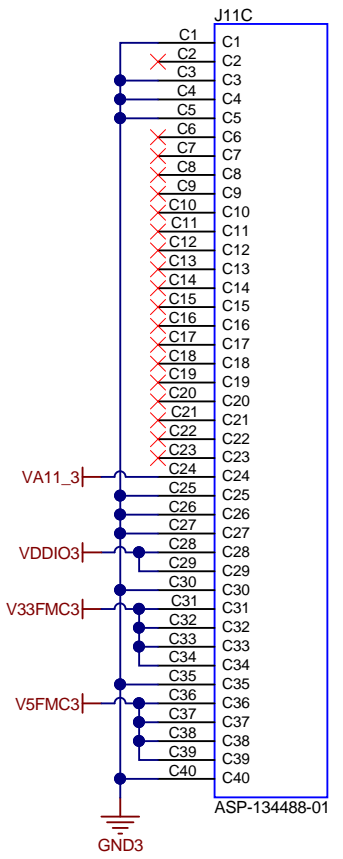
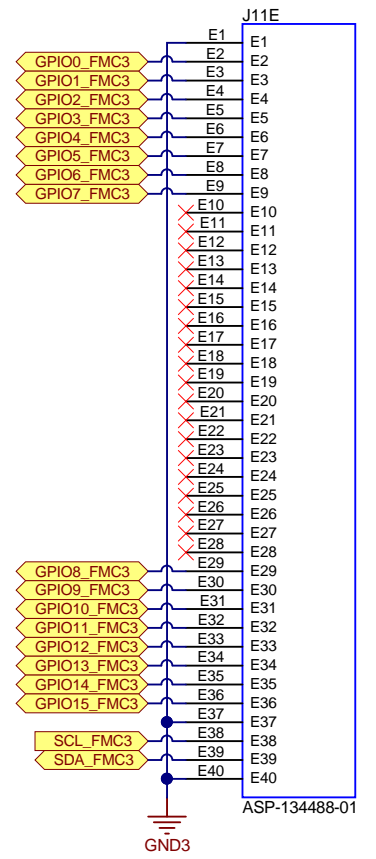
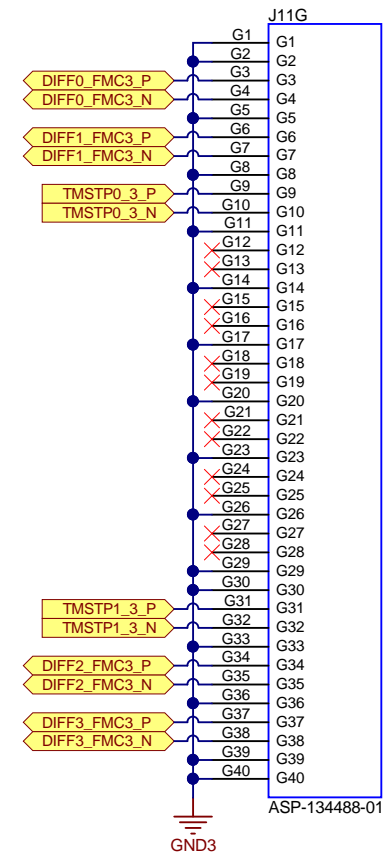
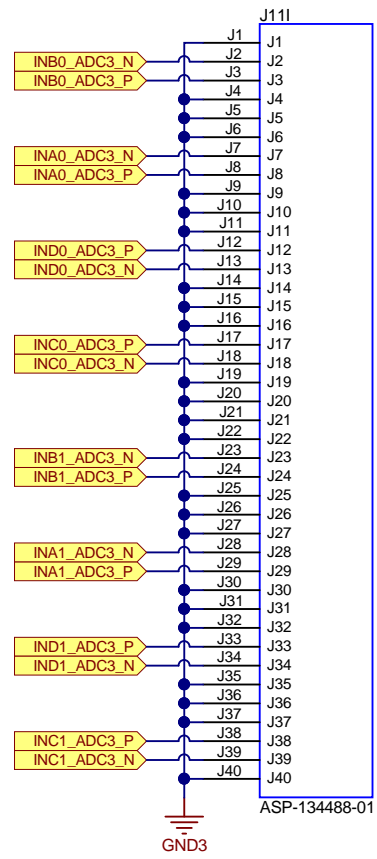


Texas Instruments and/or its licensors do not warrant the accuracy or completeness of this specification or any information contained therein. Texas Instruments and/or its licensors do not warrant that this design will meet the specifications, will be suitable for your application or fit for any particular purpose, or will operate in an implementation. Texas Instruments and/or its licensors do not warrant that the design is production worthy. You should completely validate and test your design implementation to confirm the system functionality for your application.

Orderable: N/A	Designed for: Not For Public Release	Mod. Date: 12/9/2019
TID #: N/A	Project Title: ADC12QJ1600 LIDAR FE	
Number: N/A	Rev: E1	Sheet Title: THS4541 FMC
SVN Rev: Not in version control	Assembly Variant: Standard BOM	Sheet: 2 of 39
Drawn By: DWG	File: FMC2_RevE2.SchDoc	Size: B
Engineer: DWG	Contact: http://www.ti.com/support	





Texas Instruments and/or its licensors do not warrant the accuracy or completeness of this specification or any information contained therein. Texas Instruments and/or its licensors do not warrant that this design will meet the specifications, will be suitable for your application or fit for any particular purpose, or will operate in an implementation. Texas Instruments and/or its licensors do not warrant that the design is production worthy. You should completely validate and test your design implementation to confirm the system functionality for your application.

Orderable: N/A	Designed for: Not For Public Release	Mod. Date: 12/9/2019
TID #: N/A	Project Title: ADC12QJ1600 LIDAR FE	
Number: N/A	Rev: E1	Sheet Title: TIA/FDA FMC
SVN Rev: Not in version control	Assembly Variant: Standard BOM	Sheet: 3 of 39
Drawn By: DWG	File: FMC3_RevE2.SchDoc	Size: B
Engineer: DWG	Contact: http://www.ti.com/support	





PCB LOGO
Texas Instruments



PCB LOGO
FCC disclaimer

PCB LOGO
WEEE logo

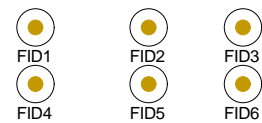
PCB LOGO
Texas Instruments



PCB LOGO
FCC disclaimer

PCB LOGO
WEEE logo

PCB Number: N/A
PCB Rev: E1



Variant/Label Table	
Variant	Label Text
001	ChangeMe!
002	ChangeMe!

ZZ1
Label Assembly Note
This Assembly Note is for PCB labels only

ZZ2
Assembly Note
These assemblies are ESD sensitive, ESD precautions shall be observed.

ZZ3
Assembly Note
These assemblies must be clean and free from flux and all contaminants. Use of no clean flux is not acceptable.

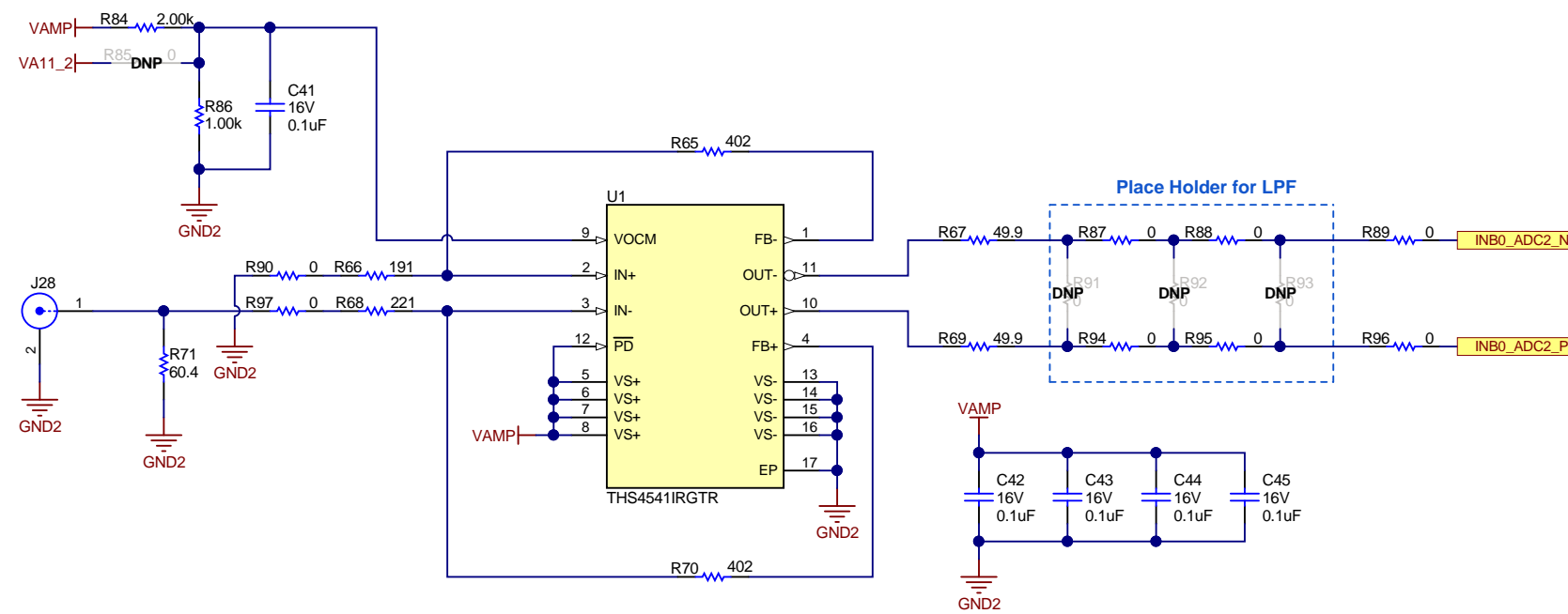
ZZ4
Assembly Note
These assemblies must comply with workmanship standards IPC-A-610 Class 2, unless otherwise specified.

You should delete the nylon screws/standoffs and/or the bumpers as needed for your design (or substitute other parts from Hardware.IntLib). Bumpers are cheaper, but provide less clearance.

Deleting anything else from this page may result in your EVM submission being rejected (until you add them back).

Update the Label Text in the Label Table as needed for each Assembly Variant.

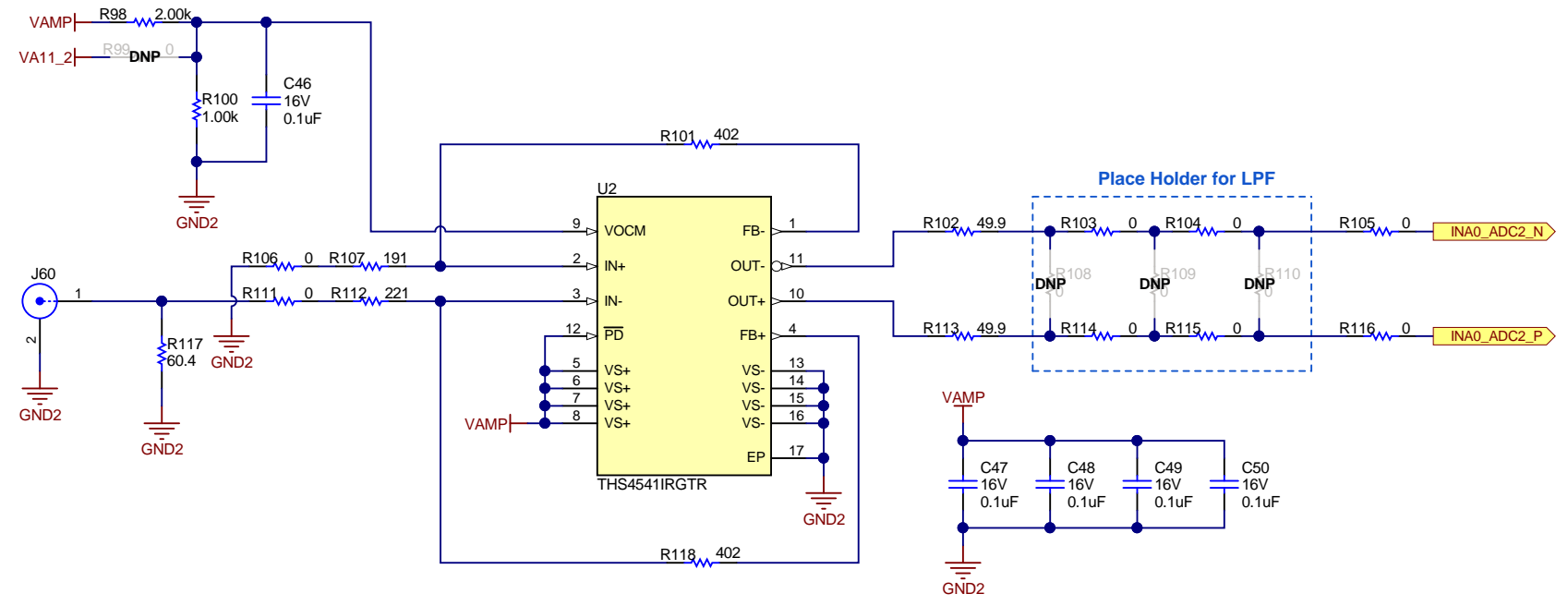
You should delete this note too.



Texas Instruments and/or its licensors do not warrant the accuracy or completeness of this specification or any information contained therein. Texas Instruments and/or its licensors do not warrant that this design will meet the specifications, will be suitable for your application or fit for any particular purpose, or will operate in an implementation. Texas Instruments and/or its licensors do not warrant that the design is production worthy. You should completely validate and test your design implementation to confirm the system functionality for your application.

Orderable: N/A	Designed for: Not For Public Release	Mod. Date: 12/9/2019
TID #: N/A	Project Title: ADC12QJ1600 LIDAR FE	
Number: N/A	Rev: E1	Sheet Title: THS4541 FDA Ch0
SVN Rev: Not in version control	Assembly Variant: Standard BOM	Sheet: 9 of 39
Drawn By: DWG	File: THS4541_ch0_RevE2.SchDoc	Size: B
Engineer: DWG	Contact: http://www.ti.com/support	

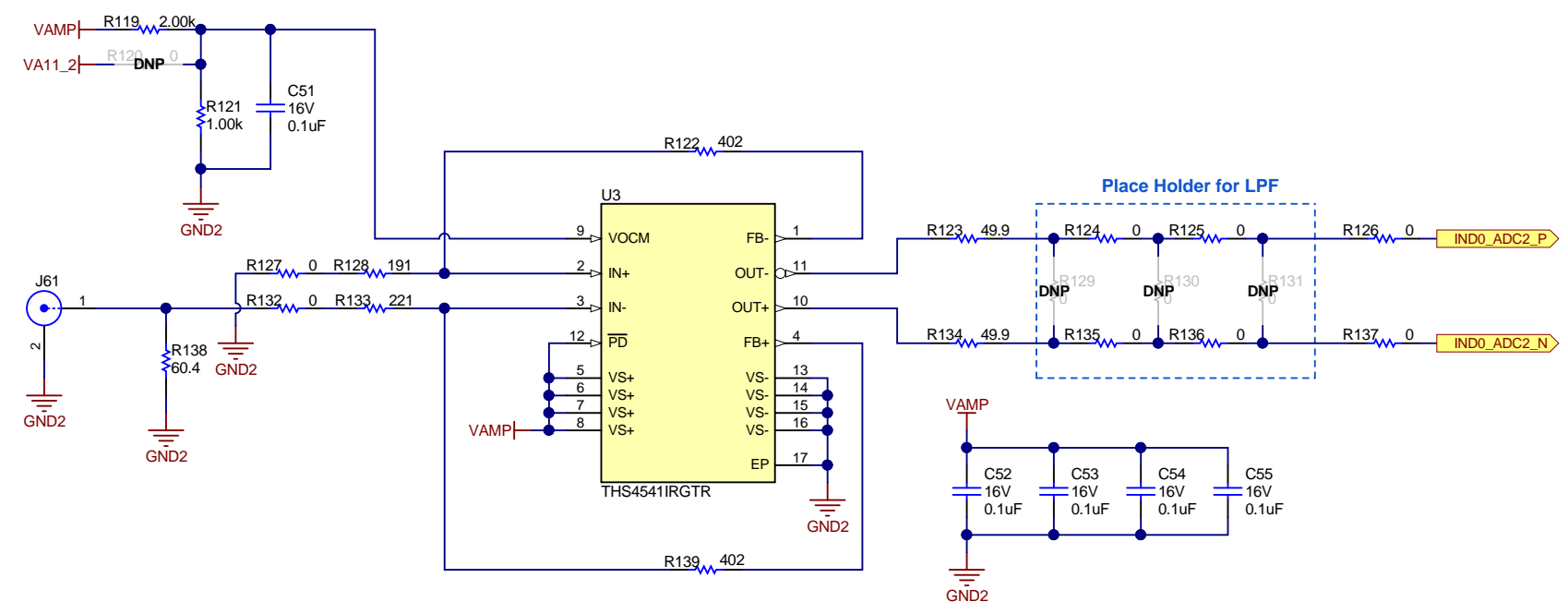




Texas Instruments and/or its licensors do not warrant the accuracy or completeness of this specification or any information contained therein. Texas Instruments and/or its licensors do not warrant that this design will meet the specifications, will be suitable for your application or fit for any particular purpose, or will operate in an implementation. Texas Instruments and/or its licensors do not warrant that the design is production worthy. You should completely validate and test your design implementation to confirm the system functionality for your application.

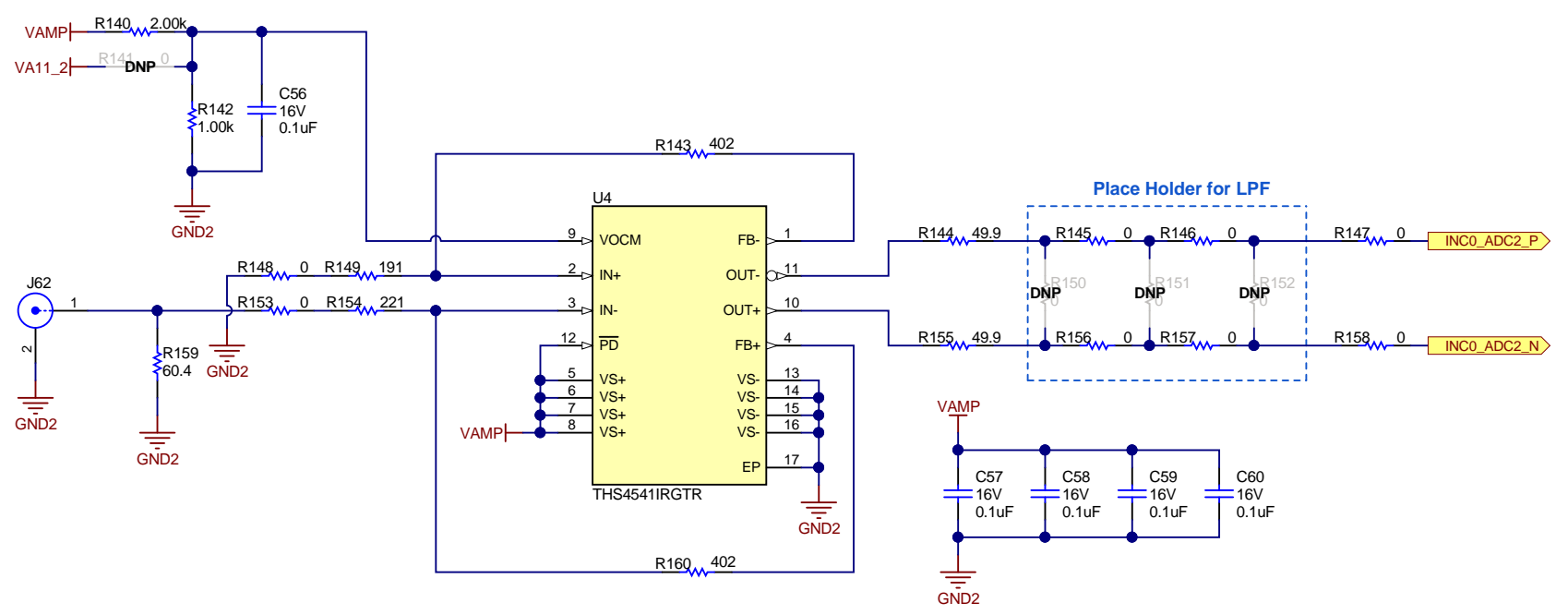
Orderable: N/A	Designed for: Not For Public Release	Mod. Date: 12/9/2019
TID #: N/A	Project Title: ADC12QJ1600 LIDAR FE	
Number: N/A	Rev: E1	Sheet Title: THS4541 FDA Ch1
SVN Rev: Not in version control	Assembly Variant: Standard BOM	Sheet: 10 of 39
Drawn By: DWG	File: THS4541_ch1_RevE2.SchDoc	Size: B
Engineer: DWG	Contact: http://www.ti.com/support	





Texas Instruments and/or its licensors do not warrant the accuracy or completeness of this specification or any information contained therein. Texas Instruments and/or its licensors do not warrant that this design will meet the specifications, will be suitable for your application or fit for any particular purpose, or will operate in an implementation. Texas Instruments and/or its licensors do not warrant that the design is production worthy. You should completely validate and test your design implementation to confirm the system functionality for your application.

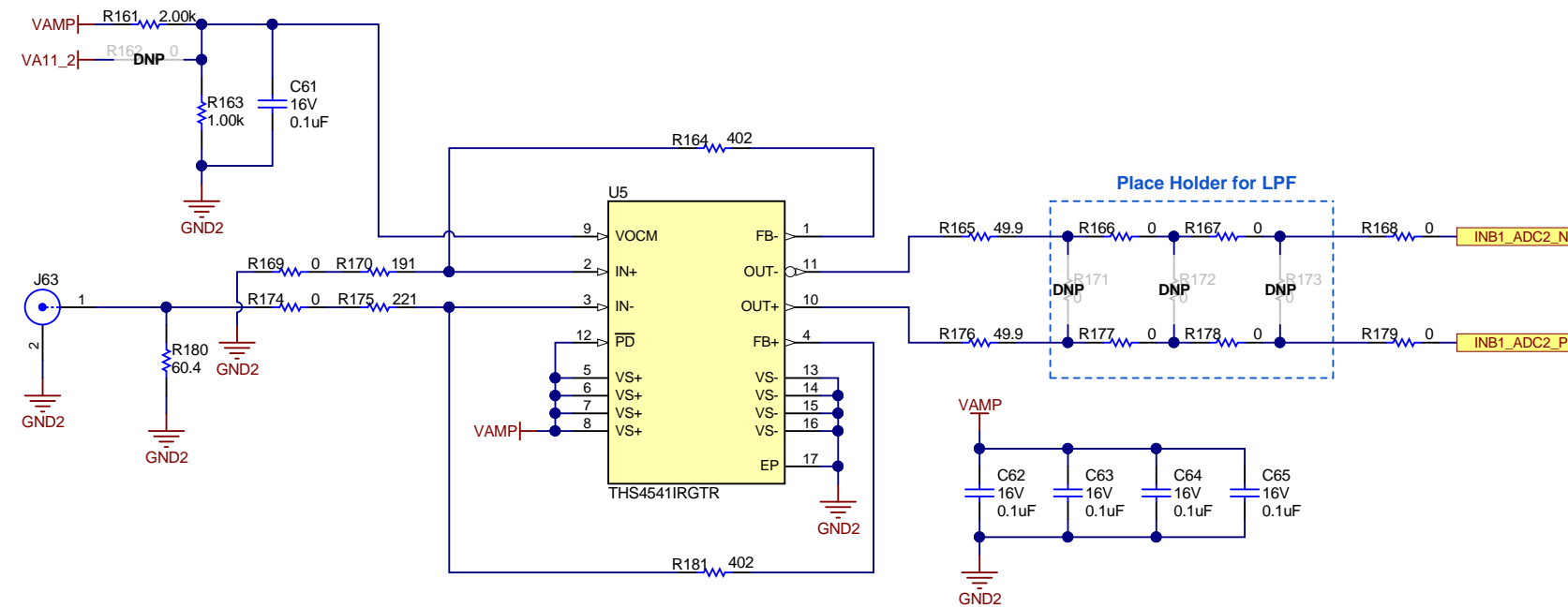
Orderable: N/A	Designed for: Not For Public Release	Mod. Date: 12/9/2019	
TID #: N/A	Project Title: ADC12QJ1600 LIDAR FE	Sheet: 11 of 39	
Number: N/A	Rev: E1	Sheet Title: THS4541 FDA Ch2	http://www.ti.com © Texas Instruments 2019
SVN Rev: Not in version control	Assembly Variant: Standard BOM	Size: B	
Drawn By: DWG	File: THS4541_ch2_RevE2.SchDoc	Contact: http://www.ti.com/support	
Engineer: DWG			



Texas Instruments and/or its licensors do not warrant the accuracy or completeness of this specification or any information contained therein. Texas Instruments and/or its licensors do not warrant that this design will meet the specifications, will be suitable for your application or fit for any particular purpose, or will operate in an implementation. Texas Instruments and/or its licensors do not warrant that the design is production worthy. You should completely validate and test your design implementation to confirm the system functionality for your application.

Orderable: N/A	Designed for: Not For Public Release	Mod. Date: 12/9/2019
TID #: N/A	Project Title: ADC12QJ1600 LIDAR FE	
Number: N/A	Rev: E1	Sheet Title: THS4541 FDA Ch3
SVN Rev: Not in version control	Assembly Variant: Standard BOM	Sheet: 12 of 39
Drawn By: DWG	File: THS4541_ch3_RevE2.SchDoc	Size: B
Engineer: DWG	Contact: http://www.ti.com/support	

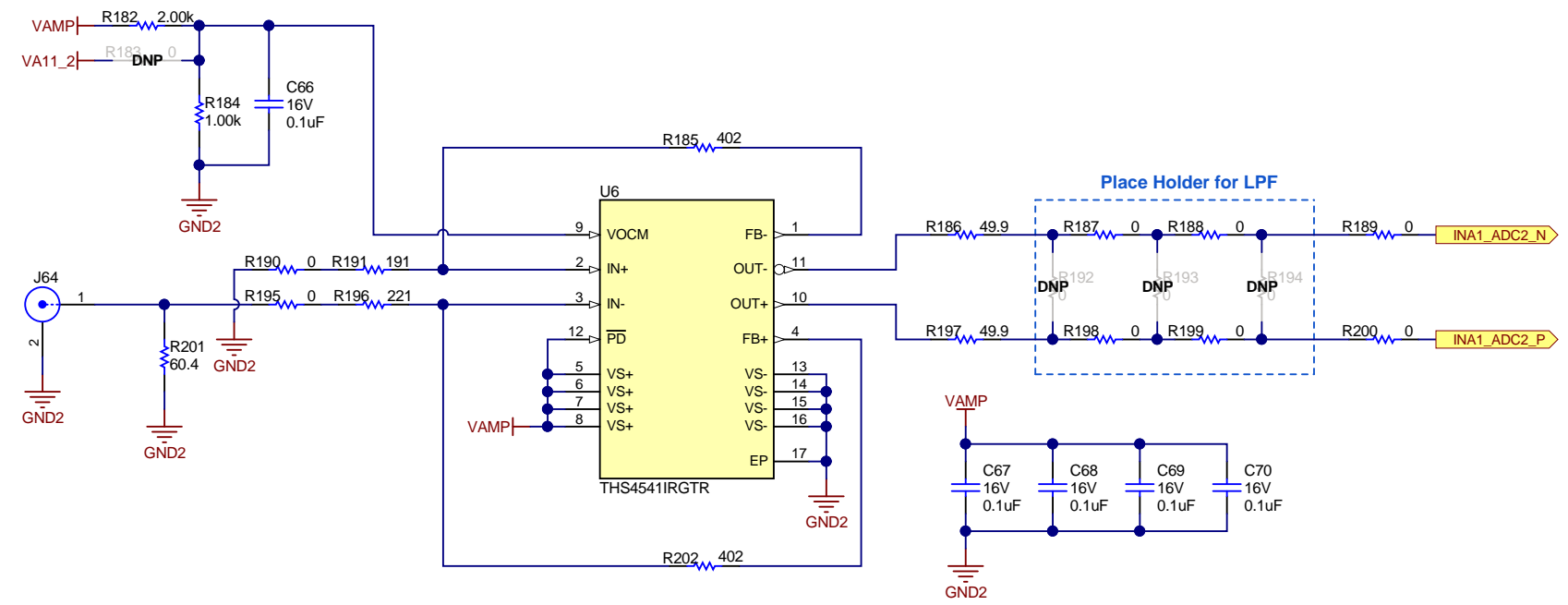




Texas Instruments and/or its licensors do not warrant the accuracy or completeness of this specification or any information contained therein. Texas Instruments and/or its licensors do not warrant that this design will meet the specifications, will be suitable for your application or fit for any particular purpose, or will operate in an implementation. Texas Instruments and/or its licensors do not warrant that the design is production worthy. You should completely validate and test your design implementation to confirm the system functionality for your application.

Orderable: N/A	Designed for: Not For Public Release	Mod. Date: 12/9/2019
TID #: N/A	Project Title: ADC12QJ1600 LIDAR FE	
Number: N/A	Rev: E1	Sheet Title: THS4541 FDA Ch4
SVN Rev: Not in version control	Assembly Variant: Standard BOM	Sheet: 13 of 39
Drawn By: DWG	File: THS4541_ch4_RevE2.SchDoc	Size: B
Engineer: DWG	Contact: http://www.ti.com/support	

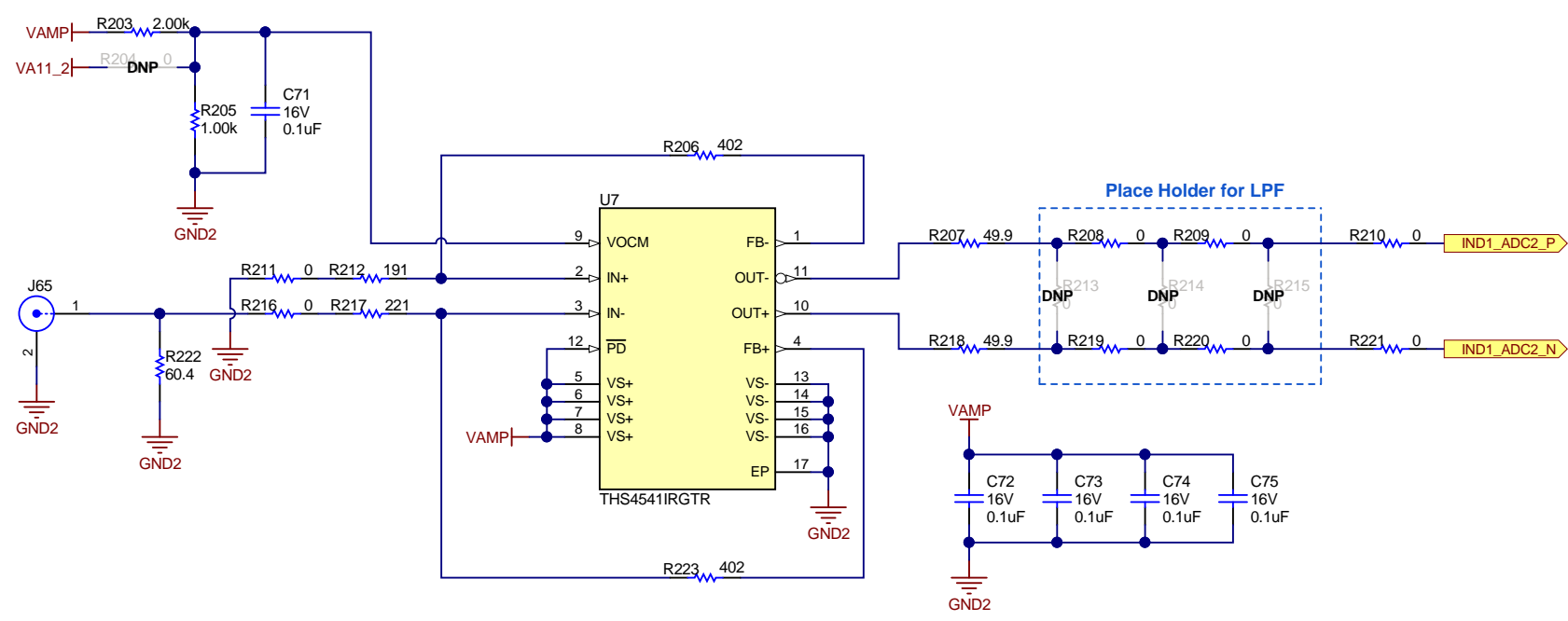




Texas Instruments and/or its licensors do not warrant the accuracy or completeness of this specification or any information contained therein. Texas Instruments and/or its licensors do not warrant that this design will meet the specifications, will be suitable for your application or fit for any particular purpose, or will operate in an implementation. Texas Instruments and/or its licensors do not warrant that the design is production worthy. You should completely validate and test your design implementation to confirm the system functionality for your application.

Orderable: N/A	Designed for: Not For Public Release	Mod. Date: 12/9/2019
TID #: N/A	Project Title: ADC12QJ1600 LIDAR FE	
Number: N/A	Rev: E1	Sheet Title: THS4541 FDA Ch5
SVN Rev: Not in version control	Assembly Variant: Standard BOM	Sheet: 14 of 39
Drawn By: DWG	File: THS4541_ch5_RevE2.SchDoc	Size: B
Engineer: DWG	Contact: http://www.ti.com/support	

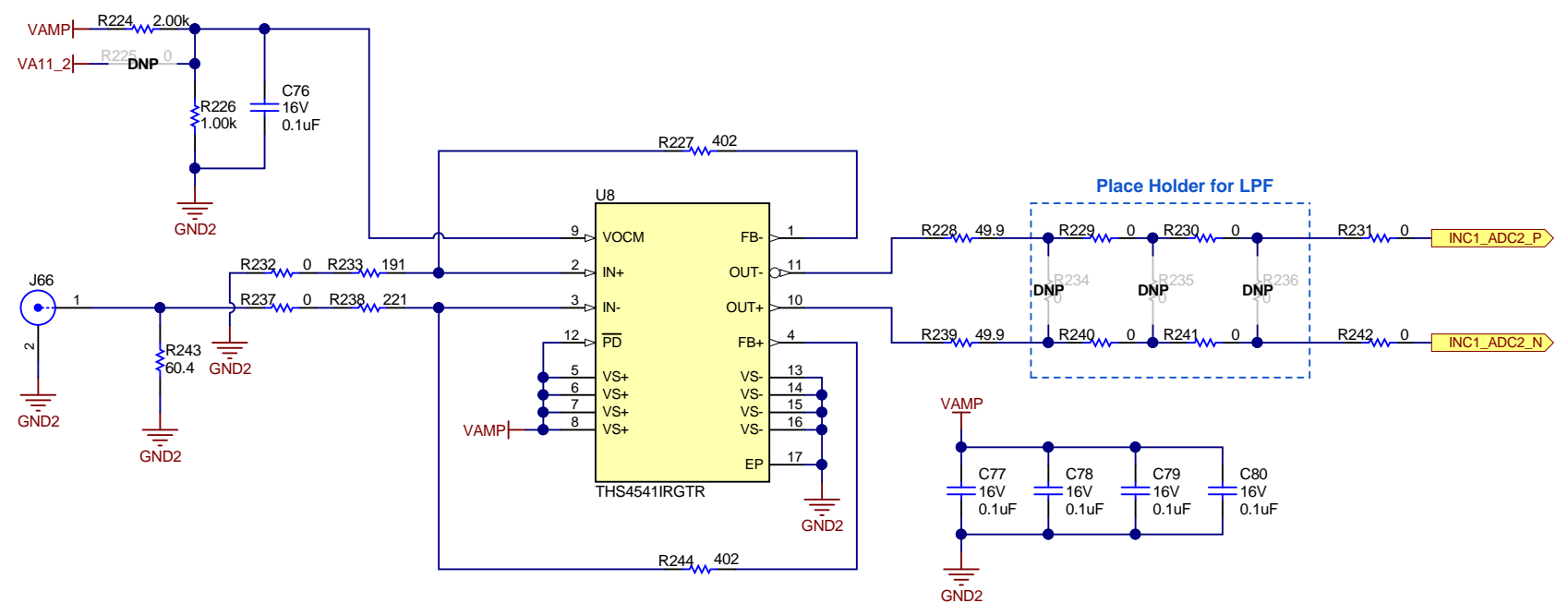




Texas Instruments and/or its licensors do not warrant the accuracy or completeness of this specification or any information contained therein. Texas Instruments and/or its licensors do not warrant that this design will meet the specifications, will be suitable for your application or fit for any particular purpose, or will operate in an implementation. Texas Instruments and/or its licensors do not warrant that the design is production worthy. You should completely validate and test your design implementation to confirm the system functionality for your application.

Orderable: N/A	Designed for: Not For Public Release	Mod. Date: 12/9/2019
TID #: N/A	Project Title: ADC12QJ1600 LIDAR FE	
Number: N/A	Rev: E1	Sheet Title: THS4541 FDA Ch6
SVN Rev: Not in version control	Assembly Variant: Standard BOM	Sheet: 15 of 39
Drawn By: DWG	File: THS4541_ch6_RevE2.SchDoc	Size: B
Engineer: DWG	Contact: http://www.ti.com/support	





Texas Instruments and/or its licensors do not warrant the accuracy or completeness of this specification or any information contained therein. Texas Instruments and/or its licensors do not warrant that this design will meet the specifications, will be suitable for your application or fit for any particular purpose, or will operate in an implementation. Texas Instruments and/or its licensors do not warrant that the design is production worthy. You should completely validate and test your design implementation to confirm the system functionality for your application.

Orderable: N/A	Designed for: Not For Public Release	Mod. Date: 12/9/2019
TID #: N/A	Project Title: ADC12QJ1600 LIDAR FE	
Number: N/A	Rev: E1	Sheet Title: THS4541 FDA Ch7
SVN Rev: Not in version control	Assembly Variant: Standard BOM	Sheet: 16 of 39
Drawn By: DWG	File: THS4541_ch7_RevE2.SchDoc	Size: B
Engineer: DWG	Contact: http://www.ti.com/support	



A

B

C

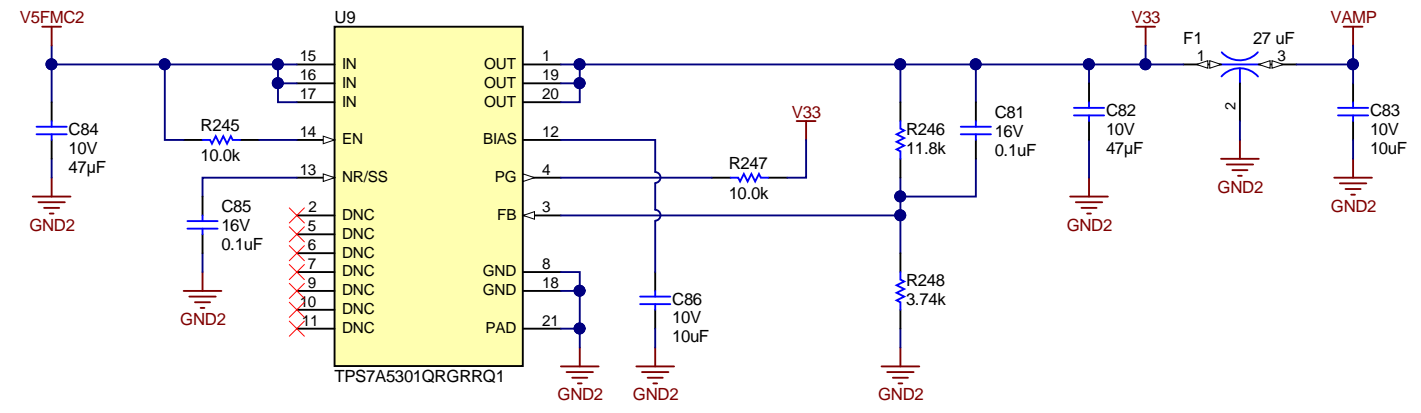
D

A

B

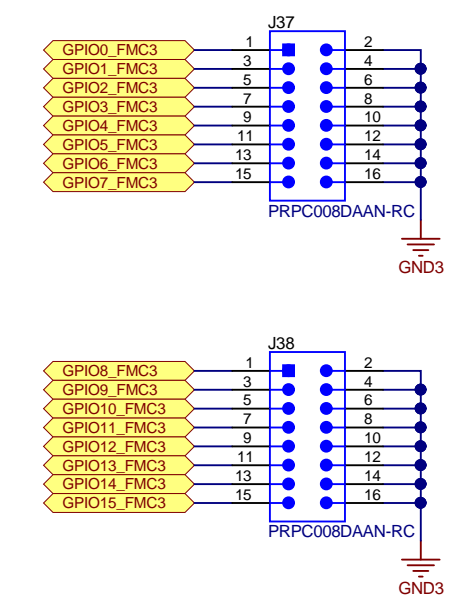
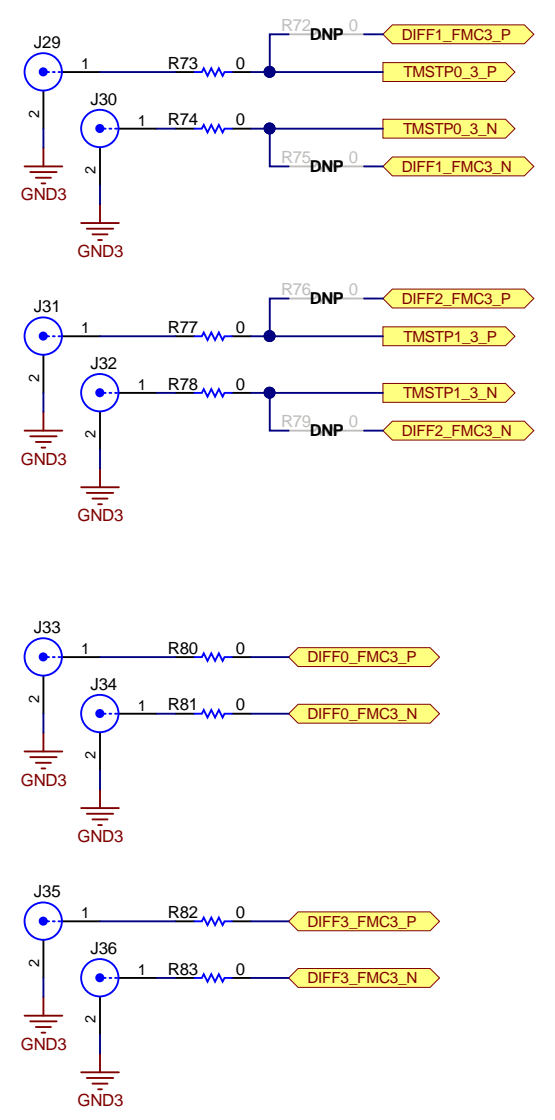
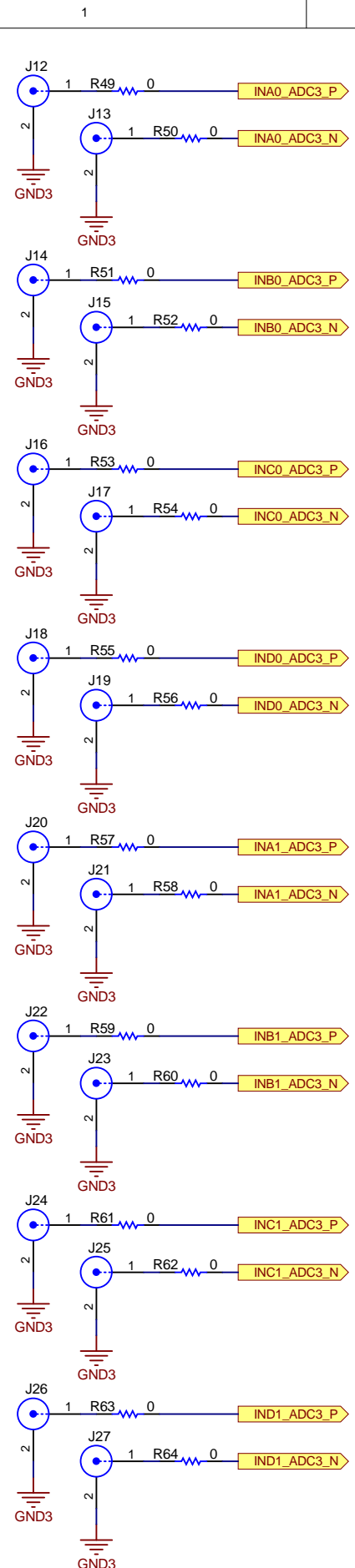
C

D



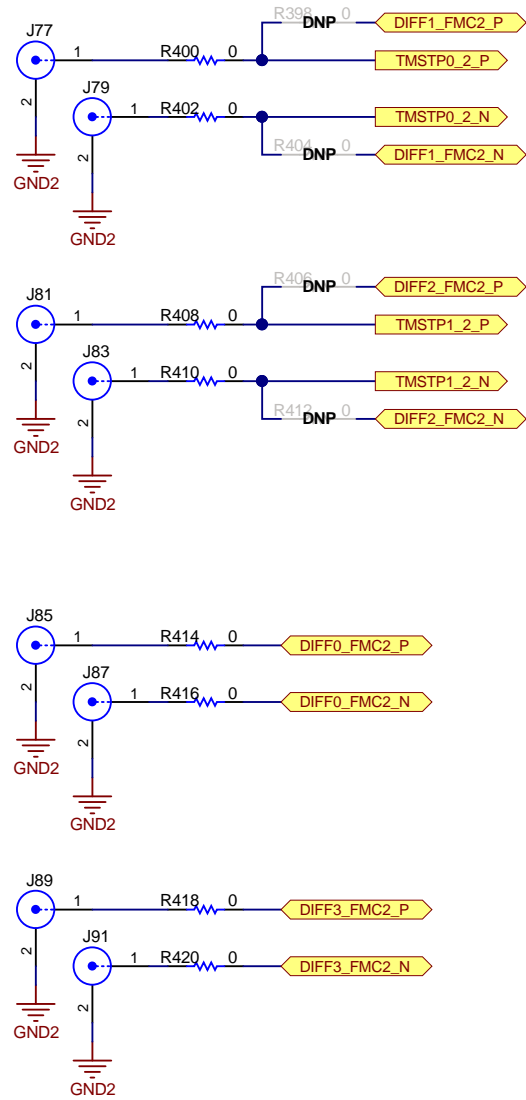
Texas Instruments and/or its licensors do not warrant the accuracy or completeness of this specification or any information contained therein. Texas Instruments and/or its licensors do not warrant that this design will meet the specifications, will be suitable for your application or fit for any particular purpose, or will operate in an implementation. Texas Instruments and/or its licensors do not warrant that the design is production worthy. You should completely validate and test your design implementation to confirm the system functionality for your application.

Orderable: N/A	Designed for: Not For Public Release	Mod. Date: 12/9/2019
TID #: N/A	Project Title: ADC12QJ1600 LIDAR FE	
Number: N/A	Rev: E1	Sheet Title: THS4541 LDO
SVN Rev: Not in version control	Assembly Variant: Standard BOM	Sheet: 17 of 39
Drawn By: DWG	File: AMP_LDO_RevE2.SchDoc	Size: B
Engineer: DWG	Contact: http://www.ti.com/support	TEXAS INSTRUMENTS http://www.ti.com © Texas Instruments 2019



Texas Instruments and/or its licensors do not warrant the accuracy or completeness of this specification or any information contained therein. Texas Instruments and/or its licensors do not warrant that this design will meet the specifications, will be suitable for your application or fit for any particular purpose, or will operate in an implementation. Texas Instruments and/or its licensors do not warrant that the design is production worthy. You should completely validate and test your design implementation to confirm the system functionality for your application.

Orderable: N/A	Designed for: Not For Public Release	Mod. Date: 12/9/2019	
TID #: N/A	Project Title: ADC12QJ1600 LIDAR FE		
Number: N/A	Rev: E1	Sheet Title: Direct SMP	
SVN Rev: Not in version control	Assembly Variant: Standard BOM	Sheet: 18 of 39	
Drawn By: DWG	File: Direct_RevE2.SchDoc	Size: B	http://www.ti.com
Engineer: DWG	Contact: http://www.ti.com/support		© Texas Instruments 2019



Orderable: N/A	Designed for: Not For Public Release	Mod. Date: 12/9/2019
TID #: N/A	Project Title: ADC12QJ1600 LIDAR FE	
Number: N/A	Rev: E1	Sheet Title: Amplifier Direct Connections
SVN Rev: Not in version control	Assembly Variant: Standard BOM	Sheet: 28 of 39
Drawn By: DWG	File: AMP_SMP_RevE2.SchDoc	Size: B
Engineer: DWG	Contact: http://www.ti.com/support	

Texas Instruments and/or its licensors do not warrant the accuracy or completeness of this specification or any information contained therein. Texas Instruments and/or its licensors do not warrant that this design will meet the specifications, will be suitable for your application or fit for any particular purpose, or will operate in an implementation. Texas Instruments and/or its licensors do not warrant that the design is production worthy. You should completely validate and test your design implementation to confirm the system functionality for your application.



IMPORTANT NOTICE AND DISCLAIMER

TI PROVIDES TECHNICAL AND RELIABILITY DATA (INCLUDING DATASHEETS), DESIGN RESOURCES (INCLUDING REFERENCE DESIGNS), APPLICATION OR OTHER DESIGN ADVICE, WEB TOOLS, SAFETY INFORMATION, AND OTHER RESOURCES "AS IS" AND WITH ALL FAULTS, AND DISCLAIMS ALL WARRANTIES, EXPRESS AND IMPLIED, INCLUDING WITHOUT LIMITATION ANY IMPLIED WARRANTIES OF MERCHANTABILITY, FITNESS FOR A PARTICULAR PURPOSE OR NON-INFRINGEMENT OF THIRD PARTY INTELLECTUAL PROPERTY RIGHTS.

These resources are intended for skilled developers designing with TI products. You are solely responsible for (1) selecting the appropriate TI products for your application, (2) designing, validating and testing your application, and (3) ensuring your application meets applicable standards, and any other safety, security, regulatory or other requirements.

These resources are subject to change without notice. TI grants you permission to use these resources only for development of an application that uses the TI products described in the resource. Other reproduction and display of these resources is prohibited. No license is granted to any other TI intellectual property right or to any third party intellectual property right. TI disclaims responsibility for, and you fully indemnify TI and its representatives against any claims, damages, costs, losses, and liabilities arising out of your use of these resources.

TI's products are provided subject to [TI's Terms of Sale](#), [TI's General Quality Guidelines](#), or other applicable terms available either on [ti.com](#) or provided in conjunction with such TI products. TI's provision of these resources does not expand or otherwise alter TI's applicable warranties or warranty disclaimers for TI products. Unless TI explicitly designates a product as custom or customer-specified, TI products are standard, catalog, general purpose devices.

TI objects to and rejects any additional or different terms you may propose.

Copyright © 2026, Texas Instruments Incorporated

Last updated 10/2025