

Comparator with and without Hysteresis Circuit



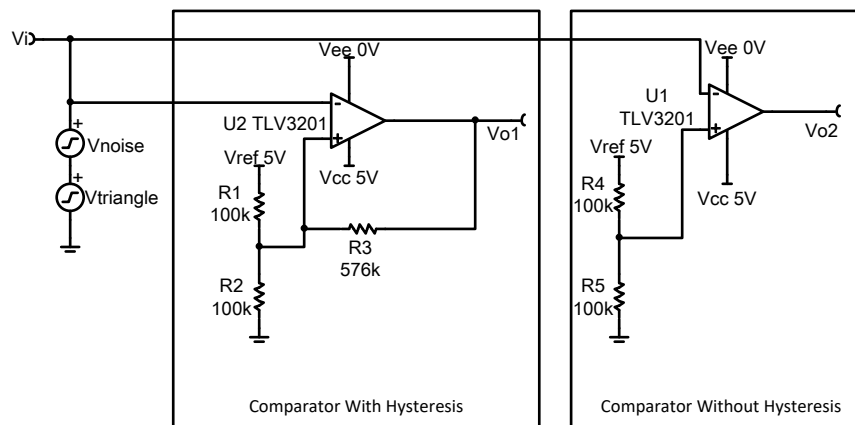
Design Goals

| Input | | Output | | Supply | | |
|------------|------------|------------|------------|----------|----------|-----------|
| V_{iMin} | V_{iMax} | V_{oMin} | V_{oMax} | V_{cc} | V_{ee} | V_{ref} |
| 0 V | 5 V | 0 V | 5 V | 5 V | 0 V | 5 V |

| V_L (Lower Threshold) | V_H (Upper Threshold) | $V_H - V_L$ |
|-------------------------|-------------------------|-------------|
| 2.3 V | 2.7 V | 0.4 V |

Design Description

Comparators are used to compare two different signal levels and create an output based on the input with the higher input voltage. Noise or signal variation at the comparison threshold will cause the comparator output to have multiple output transitions. Hysteresis sets upper- and lower-threshold voltages to eliminate the multiple transitions caused by noise.



Design Notes

1. Use a comparator with low quiescent current to reduce power consumption.
2. The accuracy of the hysteresis threshold voltages are related to the tolerance of the resistors used in the circuit.
3. The propagation delay is based on the specifications of the selected comparator.

Design Steps

1. Select components for the comparator with hysteresis.

- a. Select V_L , V_H , and R_1 .

$$V_L = 2.3V$$

$$V_H = 2.7V$$

$$R_1 = 100k\Omega \text{ (Standard Value)}$$

- b. Calculate R_2 .

$$R_2 = \frac{V_L}{V_{CC} - V_H} \times R_1 = \frac{2.3V}{5V - 2.7V} \times 100k\Omega = 100k\Omega \text{ (Standard Value)}$$

- c. Calculate R_3 .

$$R_3 = \frac{V_L}{V_H - V_L} \times R_1 = \frac{2.3V}{2.7V - 2.3V} \times 100k\Omega = 575k\Omega \approx 576k\Omega \text{ (Standard Value)}$$

- d. Verify hysteresis width.

$$V_H - V_L = \frac{R_1 \times R_2}{(R_3 \times R_1) + (R_3 \times R_2) + (R_1 \times R_2)} \times V_{CC}$$

$$= \frac{100k\Omega \times 100k\Omega}{(576k\Omega \times 100k\Omega) + (576k\Omega \times 100k\Omega) + (100k\Omega \times 100k\Omega)} \times 5V = 0.399V$$

2. Select components for comparator without hysteresis.

- a. Select V_{th} and R_4 .

$$V_{th} = 2.5V$$

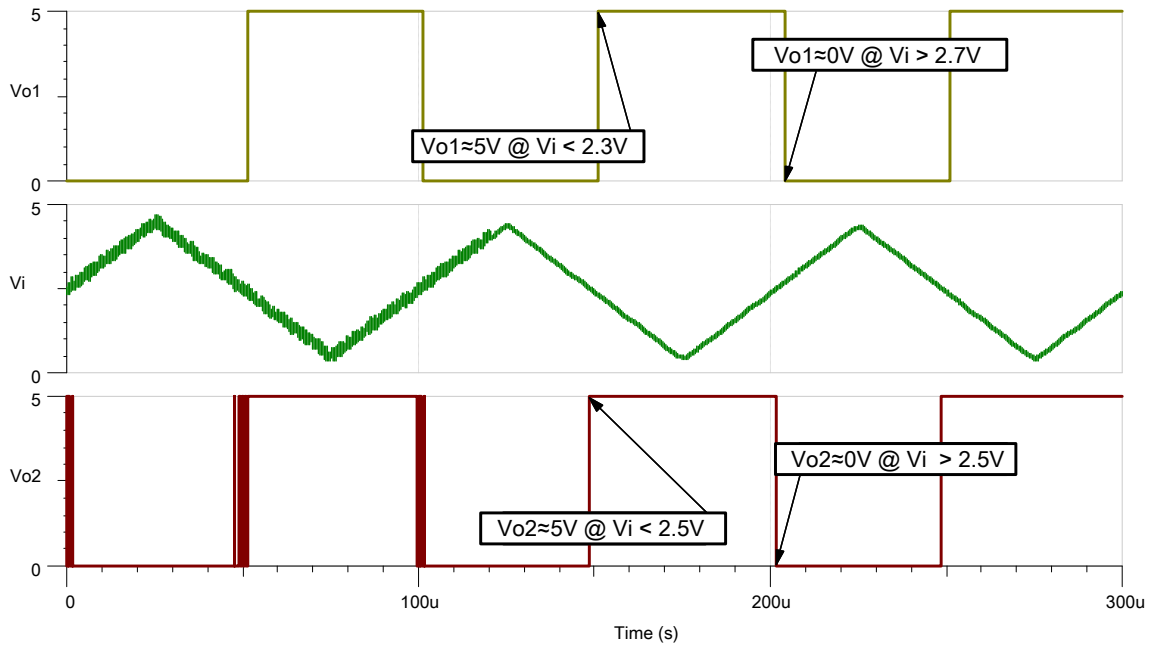
$$R_4 = 100k\Omega \text{ (Standard Value)}$$

- b. Calculate R_5 .

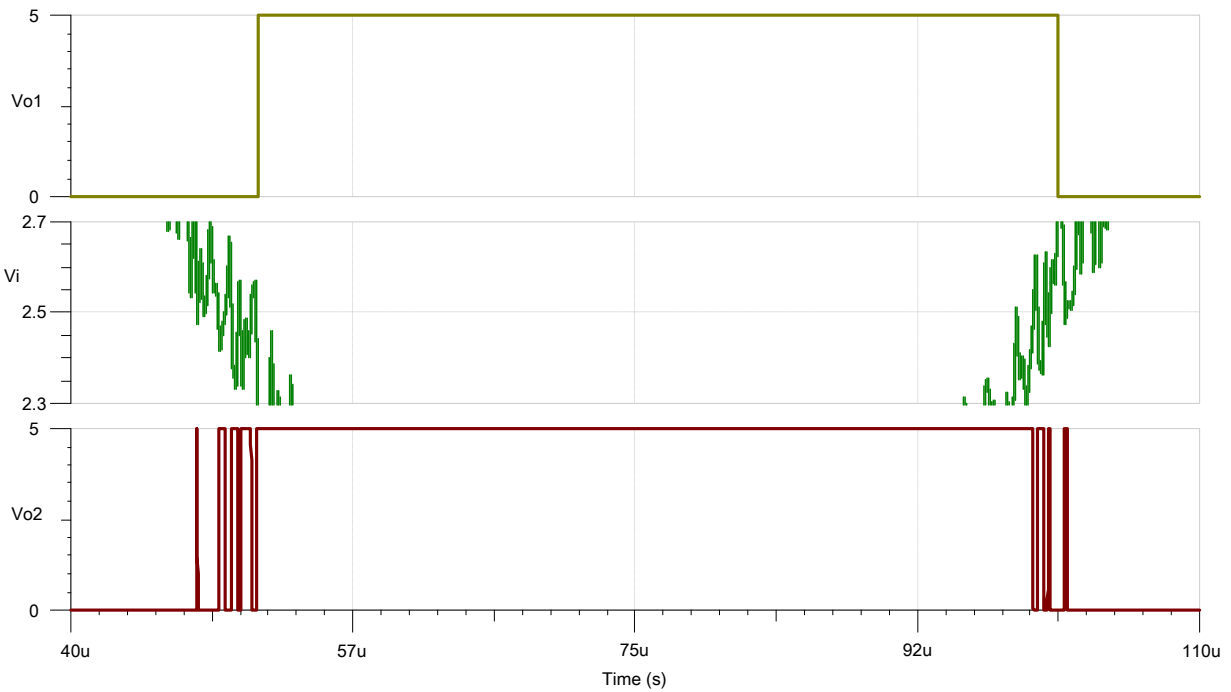
$$R_5 = \frac{V_{th}}{V_{CC} - V_{th}} \times R_4 = \frac{2.5V}{5V - 2.5V} \times 100k\Omega = 100k\Omega \text{ (Standard Value)}$$

Design Simulations

Transient Simulation Results



Noise Only Present From 0 s to 120 μs



Zoomed in From 40 μs to 110 μs

Design References

See [Analog Engineer's Circuit Cookbooks](#) for TI's comprehensive circuit library.

See the circuit SPICE simulation file [SBOC515](#).

See [TIPD144](#).

Design Featured Comparator

| TLV3201 | |
|--|--|
| V_{CC} | 2.7 V to 5.5 V |
| V_{inCM} | Extends 200 mV beyond either rail |
| V_{out} | $(V_{EE}+230\text{ mV})$ to $(V_{CC}-210\text{ mV})$ at 4 mA |
| V_{OS} | 1 mV |
| I_q | 40 μ A |
| I_b | 1 pA |
| UGBW | — |
| SR | — |
| #Channels | 1 and 2 |
| www.ti.com/product/tlv3201 | |

Revision History

NOTE: Page numbers for previous revisions may differ from page numbers in the current version.

Changes from February 1, 2018 to February 4, 2019

Page

- Downscale the title and changed title role to 'Amplifiers'. Added links to circuit cookbook landing page and SPICE simulation file..... [1](#)

IMPORTANT NOTICE AND DISCLAIMER

TI PROVIDES TECHNICAL AND RELIABILITY DATA (INCLUDING DATA SHEETS), DESIGN RESOURCES (INCLUDING REFERENCE DESIGNS), APPLICATION OR OTHER DESIGN ADVICE, WEB TOOLS, SAFETY INFORMATION, AND OTHER RESOURCES "AS IS" AND WITH ALL FAULTS, AND DISCLAIMS ALL WARRANTIES, EXPRESS AND IMPLIED, INCLUDING WITHOUT LIMITATION ANY IMPLIED WARRANTIES OF MERCHANTABILITY, FITNESS FOR A PARTICULAR PURPOSE OR NON-INFRINGEMENT OF THIRD PARTY INTELLECTUAL PROPERTY RIGHTS.

These resources are intended for skilled developers designing with TI products. You are solely responsible for (1) selecting the appropriate TI products for your application, (2) designing, validating and testing your application, and (3) ensuring your application meets applicable standards, and any other safety, security, regulatory or other requirements.

These resources are subject to change without notice. TI grants you permission to use these resources only for development of an application that uses the TI products described in the resource. Other reproduction and display of these resources is prohibited. No license is granted to any other TI intellectual property right or to any third party intellectual property right. TI disclaims responsibility for, and you will fully indemnify TI and its representatives against, any claims, damages, costs, losses, and liabilities arising out of your use of these resources.

TI's products are provided subject to [TI's Terms of Sale](#) or other applicable terms available either on [ti.com](https://www.ti.com) or provided in conjunction with such TI products. TI's provision of these resources does not expand or otherwise alter TI's applicable warranties or warranty disclaimers for TI products.

TI objects to and rejects any additional or different terms you may have proposed.

Mailing Address: Texas Instruments, Post Office Box 655303, Dallas, Texas 75265
Copyright © 2023, Texas Instruments Incorporated