

DAC121S101-SEP Single-Event Latch-Up (SEL) Radiation Report



ABSTRACT

The purpose of this study is to characterize the effects of heavy-ion irradiation on the single-event latch-up (SEL) performance of the DAC121S101-SEP, a single channel, 12-bit digital-to-analog converter (DAC). Heavy-ions with an LET_{EFF} of 43 MeV-cm²/mg were used to irradiate two production devices with a fluence of 1×10^7 ions/cm² and one production device with a fluence of 1.5×10^7 ions/cm². The results demonstrate that the DAC121S101-SEP is SEL-free up to $LET_{EFF} = 43$ MeV-cm²/mg at 125°C.

Table of Contents

1 Overview.....	2
2 SEE Mechanisms.....	3
3 Test Device and Test Board Information.....	4
4 Irradiation Facility and Setup.....	5
5 Single-Event Latch-Up Results.....	6
6 Summary.....	7
7 Single-Event Transient Results.....	8
8 Confidence Interval Calculations.....	9
9 References.....	10
10 Revision History.....	11

Trademarks

All trademarks are the property of their respective owners.

1 Overview

The DAC121S101-SEP is a radiation-tolerant, full featured, general purpose, 12-bit digital-to-analog converter (DAC) that can operate from a single 2.7V to 5.5V supply and consumes just 177uA current at 3.6V. The on-chip output amplifier allows rail-to-rail output swing and the three-wire serial interface operates at clock rates up to 30MHz over the specified supply voltage range. The device uses CMOS7 technology and is compatible with standard SPI, QSPI, MICROWIRE, and DSP interfaces. The supply voltage (VA) for the DAC121S101-SEP serves as the voltage reference, providing the widest possible output dynamic range. A power-on reset circuit maintains that the DAC output powers up to zero volts and remains there until there is a valid write to the device. A power-down feature reduces power consumption to less than one micro Watt (typ).

See the DAC121S101-SEP product page on ti.com for more details.

Table 1-1. Overview Information ⁽¹⁾

Description	Device Information
TI part number	DAC121S101-SEP
MLS number	DAC121S101DGKTSEP
Device function	Radiation-tolerant, 12-bit DAC
Technology	CMOS
Exposure facility	Radiation Effects Facility, Cyclotron Institute, Texas A&M University
Heavy ion fluence per run	$1 \times 10^6 - 1.5 \times 10^7$ ions/cm ²
Irradiation temperature	125°C (for SEL testing)

- (1) TI may provide technical, applications or design advice, quality characterization, and reliability data or service, providing these items shall not expand or otherwise affect TI's warranties as set forth in the Texas Instruments Incorporated Standard Terms and Conditions of Sale for Semiconductor Products and no obligation or liability shall arise from Semiconductor Products and no obligation or liability shall arise from TI's provision of such items.

2 SEE Mechanisms

The primary single-event effect (SEE) event of interest in the DAC121S101-SEP is the destructive single-event latch-up (SEL). From a risk and impact point-of-view, the occurrence of an SEL is potentially the most destructive SEE event and the biggest concern for space applications. The CMOS7 process node was used for the DAC121S101-SEP. CMOS circuitry introduces a potential for SEL susceptibility. SEL can occur if excess current injection caused by the passage of an energetic ion is high enough to trigger the formation of a parasitic cross-coupled PNP and NPN bipolar structure (formed between the p-sub and n-well and n+ and p+ contacts). The parasitic bipolar structure initiated by a single-event creates a high-conductance path (inducing a steady-state current that is typically orders-of-magnitude higher than the normal operating current) between power and ground that persists (*is latched*) until power is removed or until the device is destroyed by the high-current state. The process modifications applied for SEL-mitigation were sufficient as the DAC121S101-SEP exhibited no SEL with heavy-ions up to a of $LET_{EFF} = 43 \text{ MeV-cm}^2/\text{mg}$ at a fluence upto $1.5 \times 10^7 \text{ ions/cm}^2$ and a chip temperature of 125°C .

This study was performed to evaluate the SEL effects with a bias voltage of 5.5V on VA. Heavy ions with $LET_{EFF} = 43 \text{ MeV-cm}^2/\text{mg}$ were used to irradiate the devices. Flux of 10^5 ions/s-cm^2 and fluence upto $1.5 \times 10^7 \text{ ions/cm}^2$ were used during the exposure at 125°C temperature.

Figure 2-1 shows a functional block diagram for this device.

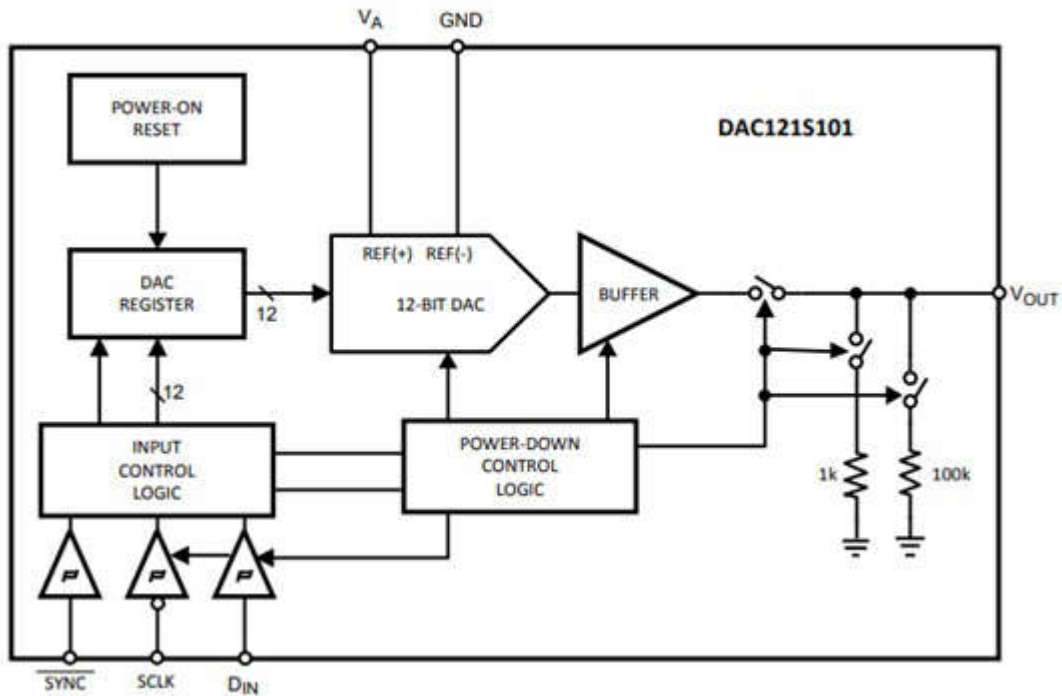


Figure 2-1. Functional Block Diagram of the DAC121S101-SEP

3 Test Device and Test Board Information

The DAC121S101-SEP is packaged in a 8-pin DGK (VSSOP) shown with the pinout in Figure 3-1. Figure 3-2 shows the biasing configuration used for both the SEL and SET tests.

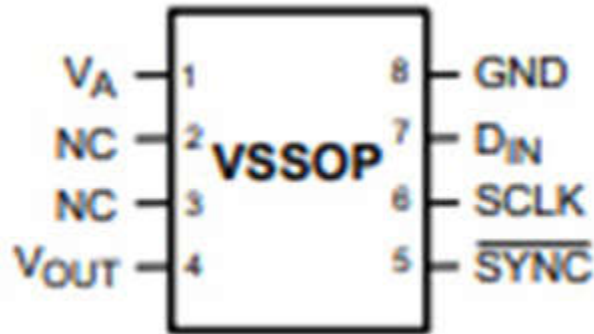


Figure 3-1. DAC121S101-SEP Pinout Diagram

The package was decapped to reveal the die face for all heavy ion testing.

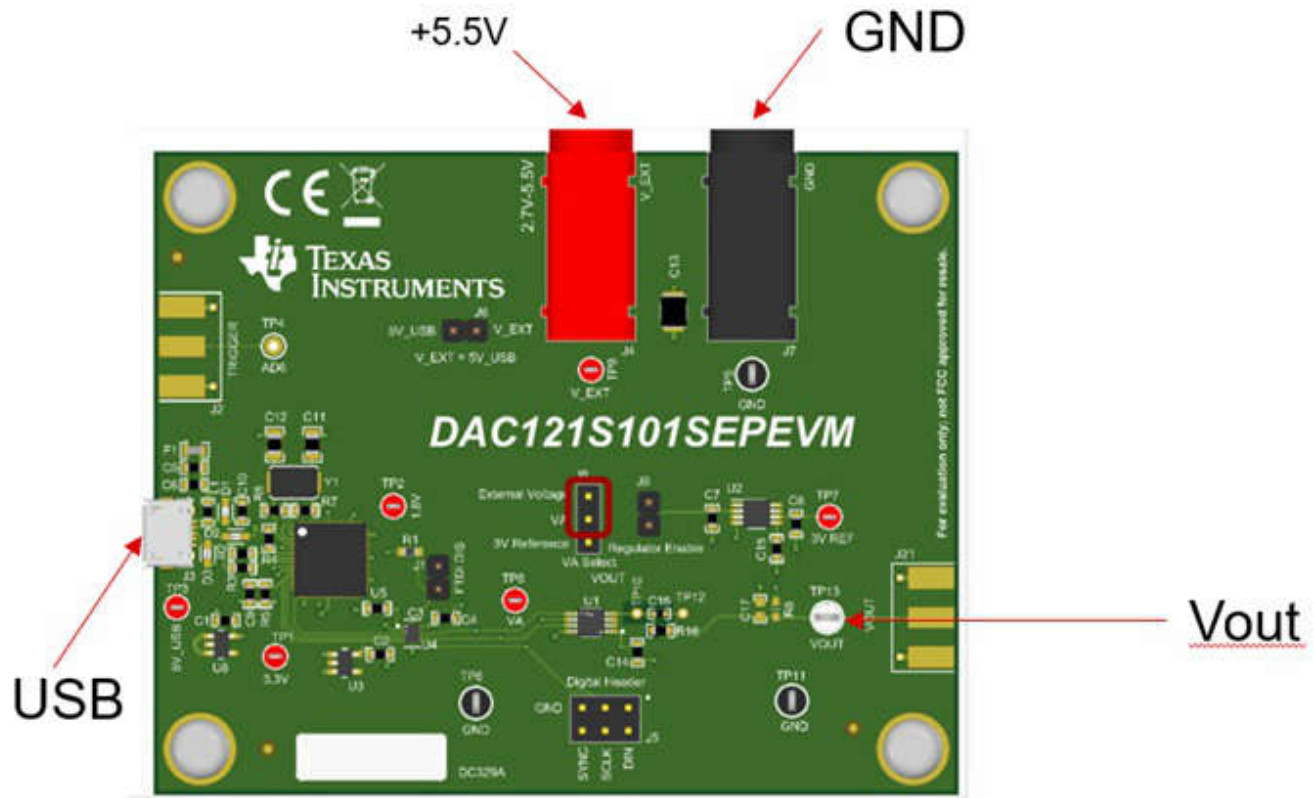


Figure 3-2. DAC121S101-SEP Bias Configuration

4 Irradiation Facility and Setup

The heavy ion species used for the SEE studies on this product were provided and delivered by the TAMU Cyclotron Radiation Effects Facility [3] using a superconducting cyclotron and advanced electron cyclotron resonance (ECR) ion source. Ion beams are delivered with high uniformity over a 1-inch diameter circular cross-sectional area for the in-air station. Uniformity is achieved by means of magnetic defocusing. The intensity of the beam is regulated over a broad range spanning several orders of magnitude. For the bulk of these studies, ion fluxes between 10^4 and 10^5 ions/s-cm² were used to provide heavy ion fluences between 10^6 and 10^7 ions/cm². For these experiments Silver (Ag) ions were used. Ion beam uniformity for all tests was in the range of 91% to 98%.

5 Single-Event Latch-Up Results

During SEL characterization, the device was heated using forced hot air, maintaining the device temperature at 125°C. The temperature was monitored by means of a K-type thermocouple attached as close to the device as possible. The species used for SEL testing was a silver (⁴⁷Ag) ion with an angle-of-incidence of 0° for an LET_{EFF} = 43 MeV-cm²/mg. The kinetic energy in the vacuum for this ion is 1.634 GeV (15-MeV/amu line). A flux of approximately 10⁵ ions/s-cm² and a fluence of approximately 10⁷ ions/cm were used for three runs. The external voltage with the highest recommended voltage of 5.5V is applied onboard VA connector. The run duration to achieve this fluence was approximately 2 minutes. As shown in [Table 5-1](#), no SEL events were observed during these three runs. [Figure 5-1](#) shows the current plot vs time during beam exposure.

Table 5-1. DAC121S101-SEP SEL Conditions Using ⁴⁷Ag at an Angle-of-Incidence of 0°

Run #	Distance (mm)	Temperature (°C)	Ion	Angle	Flux (ions×cm ² /mg)	Fluence (# ions)	LET _{EFF} (MeV.cm ² /mg)
1	40	125	Ag	0°	1.00E+05	1.00E+07	43
2	40	125	Ag	0°	1.00E+05	1.00E+07	43
3	40	125	Ag	0°	1.00E+05	1.50E+07	43

No SEL events were observed, indicating that the DAC121S101-SEP is SEL-immune at LET_{EFF} = 43 MeV-cm²/mg and T = 125°C. Using the MFTF method described in [Section 8](#) and combining (or summing) the fluences of the three runs at 125°C, the upper-bound cross section (using a 95% confidence level) is calculated in [Equation 1](#):

$$\sigma_{\text{SEL}} \leq 0.703 \times 10^{-7} \text{ cm}^2 \quad (1)$$

where:

- LET_{EFF} = 43 MeV-cm²/mg
- T = 125°C

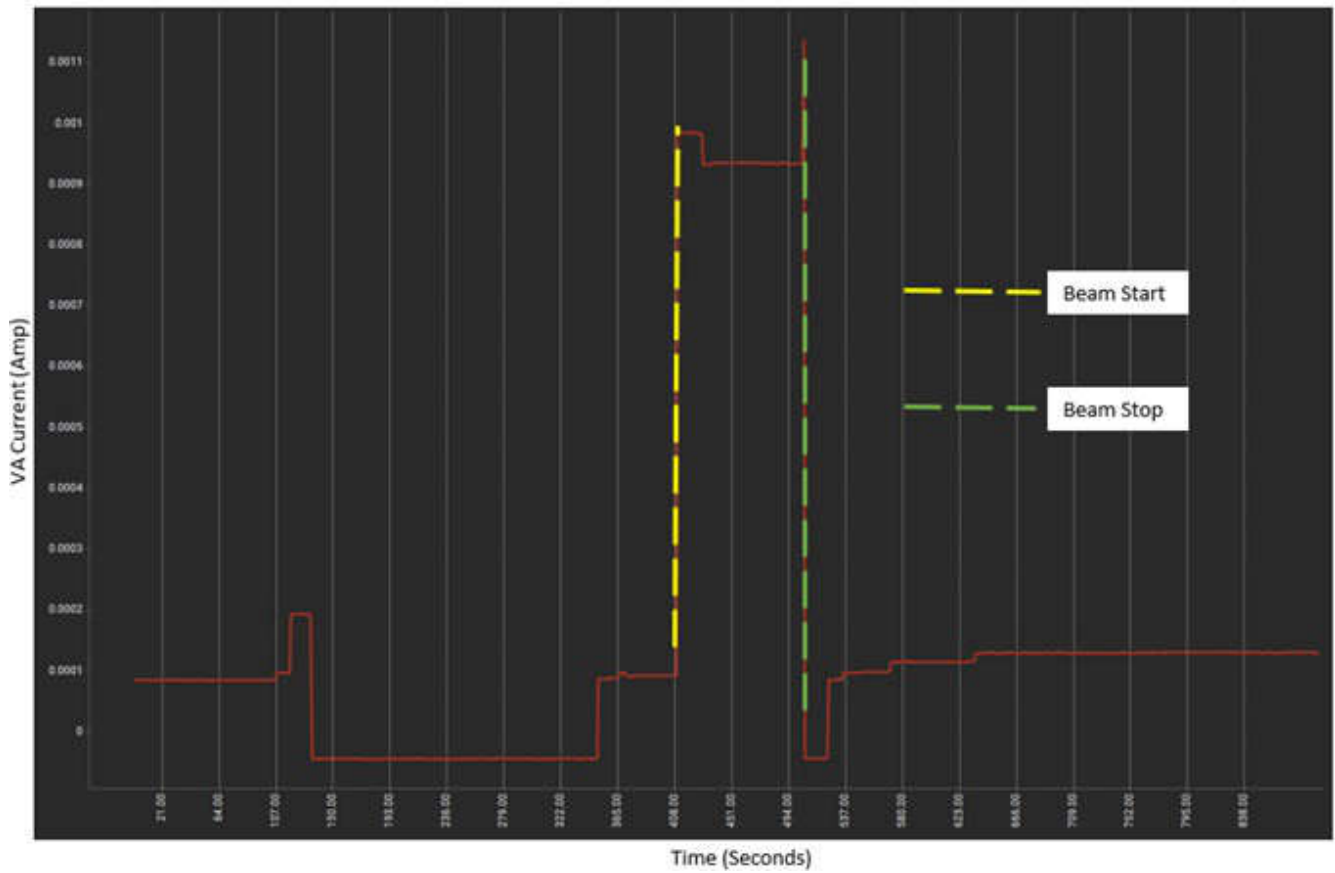


Figure 5-1. Current versus Time (I versus t) Data for VA Current During SEL Run

6 Summary

Radiation effects on the radiation-tolerant, full featured, general purpose, 12-bit digital-to-analog converter (DAC) DAC121S101-SEP, was studied. This device passed a total dose rate of up to 30 krad(Si) and is latch-up immune up to LET_{EFF} = 43 MeV-cm²/mg and T = 125°C.

7 Single-Event Transient Results

SETs are defined as heavy-ion induced transients upsets on the V_{out} output of the DAC121S101-SEP. For our runs, an event is defined as deviating outside the window trigger on V_{out} .

Testing was performed at room temperature (no external temperature control applied). The heavy-ions species used for SET testing was (^{109}Ag) for a $LET_{EFF} = 43 \text{ MeV}\times\text{cm}^2/\text{mg}$; for more details refer to Ion LET_{EFF} . Flux of $1 \times 10^5 \text{ ions/cm}^2/\text{s}$ and a fluence of $1 \times 10^7 \text{ ions/cm}^2$, per run were used for the SET characterization discussed in this section.

Table 7-1. Summary of DAC121S101-SEP in V_{out} Output

Run #	Unit #	Code	Facility	Ion	LET	V_{in}	V_{out}	Window Trigger	Flux	Fluence	Events
3	1	15%	TAMU	^{109}Ag	43Mev	2.7V	0.405V	+/- 20%	1.00×10^5	1.00×10^7	52
8	2	15%	TAMU	^{109}Ag	43Mev	2.7V	0.405V	+/- 20%	1.00×10^5	1.00×10^7	25
12	3	15%	TAMU	^{109}Ag	43Mev	2.7V	0.405V	+/- 20%	1.00×10^5	1.00×10^7	66
4	1	50%	TAMU	^{109}Ag	43Mev	2.7V	1.350V	+/- 15%	1.00×10^5	1.00×10^7	62
9	2	50%	TAMU	^{109}Ag	43Mev	2.7V	1.350V	+/- 15%	1.00×10^5	1.00×10^7	74
13	3	50%	TAMU	^{109}Ag	43Mev	2.7V	1.350V	+/- 15%	1.00×10^5	1.00×10^7	58
6	1	85%	TAMU	^{109}Ag	43Mev	2.7V	2.295V	+/- 7%	1.00×10^5	1.00×10^7	39
10	2	85%	TAMU	^{109}Ag	43Mev	2.7V	2.295V	+/- 7%	1.00×10^5	1.00×10^7	38
14	3	85%	TAMU	^{109}Ag	43Mev	2.7V	2.295V	+/- 7%	1.00×10^5	1.00×10^7	39
7	1	50%	TAMU	^{109}Ag	43Mev	5.5V	2.750V	+/- 7%	1.00×10^5	1.00×10^7	21
11	2	50%	TAMU	^{109}Ag	43Mev	5.5V	2.750V	+/- 7%	1.00×10^5	1.00×10^7	118
15	3	50%	TAMU	^{109}Ag	43Mev	5.5V	2.750V	+/- 7%	1.00×10^5	1.00×10^7	6

8 Confidence Interval Calculations

For conventional products where hundreds of failures can occur during a single exposure, the average failure rate of devices can be determined by being tested in a heavy-ion beam as a function of fluence with a high degree of certainty and reasonably tight standard deviation, and thus obtain a good deal of confidence that the calculated cross section is accurate.

With radiation-hardened parts however, determining the cross section is difficult because often few or no failures are observed during an entire exposure. Determining the cross section using an average failure rate with standard deviation is no longer a viable option, and the common practice of assuming a single error occurred at the conclusion of a null-result can end up in a greatly underestimated cross section.

In cases where observed failures are rare or non-existent, using confidence intervals and the chi-squared distribution is indicated. The chi-squared distribution is particularly well-suited for the determination of a reliability level when the failures occur at a constant rate. In the case of SEE testing where the ion events are random in time and position within the irradiation area, a failure rate is expected that is independent of time (presuming that parametric shifts induced by the total ionizing dose do not affect the failure rate), and thus the use of chi-squared statistical techniques is valid (because events are rare, an exponential or Poisson distribution is usually used).

In a typical SEE experiment, the device-under-test (DUT) is exposed to a known, fixed fluence (ions/cm²) and the DUT is monitored for failures. This process is analogous to fixed-time reliability testing and, more specifically, time-terminated testing where the reliability test is terminated after a fixed amount of time whether or not a failure has occurred (in the case of SEE tests fluence is substituted for time and is therefore a fixed fluence test [5]). Calculating a confidence interval specifically provides a range of values that is likely to contain the parameter of interest (the actual number of failures per fluence). Confidence intervals are constructed at a specific confidence level. For example, a 95% confidence level implies that if a given number of units were sampled numerous times and a confidence interval estimated for each test, the resulting set of confidence intervals brackets the true population parameter in approximately 95% of the cases.

To estimate the cross section from a null-result (no fails observed for a given fluence) with a confidence interval, start with the standard reliability determination of the lower-bound (minimum) mean-time-to-failure for fixed-time testing (an exponential distribution is assumed) in [Equation 2](#):

$$MTTF = \frac{2nT}{\chi^2_{2(d+1); 100(1 - \frac{\alpha}{2})}} \quad (2)$$

where:

- *MTTF* is the minimum (lower-bound) mean-time-to-failure
- *n* is the number of units tested (presuming each unit is tested under identical conditions)
- *T* is the test time
- χ^2 is the chi-square distribution evaluated at $100(1 - \alpha / 2)$ confidence level
- *d* is the degrees-of-freedom (the number of failures observed)

With slight modification to this equation for the purposes of this test, invert the inequality and substitute *F* (fluence) in the place of *T*, as shown in [Equation 3](#):

$$MFTF = \frac{2nF}{\chi^2_{2(d+1); 100(1 - \frac{\alpha}{2})}} \quad (3)$$

where:

- *MFTF* is mean-fluence-to-failure
- *F* is the test fluence
- χ^2 is the chi-square distribution evaluated at $100(1 - \alpha / 2)$ confidence
- *d* is the degrees-of-freedom (the number of failures observed)

The inverse relation between *MTTF* and failure rate is mirrored with the *MFTF*. Thus, the upper-bound cross section is obtained by inverting the *MFTF* as shown in Equation 4:

$$\sigma = \frac{\chi^2_2(d+1); 100(1 - \frac{\alpha}{2})}{2nF} \quad (4)$$

Assume that all tests are terminated at a total fluence of 10^6 ions/cm². Also assume there are a number of devices with very different performances that are tested under identical conditions. Assume a 95% confidence level ($\sigma = 0.05$). When *d* increases from 0 events to 100 events, the actual confidence interval becomes smaller, indicating that the range of values of the true value of the population parameter (in this case the cross section) is approaching the mean value + 1 standard deviation. This difference makes sense when considering that as more events are observed the statistics are improved such that uncertainty in the actual device performance is reduced.

Table 8-1. Experimental Example Calculation of MFTF and σ Using a 95% Confidence Interval

Degrees-of-Freedom (d)	2(d + 1)	χ^2 at 95%	Calculated Cross Section (cm ²)		
			Upper-Bound at 95% Confidence	Mean	Average + Standard Deviation
0	2	7.38	3.69E-06	0.00E+00	0.00E+00
1	4	11.14	5.57E-06	1.00E-06	2.00E-06
2	6	14.45	7.22E-06	2.00E-06	3.41E-06
3	8	17.53	8.77E-06	3.00E-06	4.73E-06
4	10	20.48	1.02E-05	4.00E-06	6.00E-06
5	12	23.34	1.17E-05	5.00E-06	7.24E-06
10	22	36.78	1.84E-05	1.00E-05	1.32E-05
50	102	131.84	6.59E-05	5.00E-05	5.71E-05
100	202	243.25	1.22E-04	1.00E-04	1.10E-04

9 References

1. M. Shoga and D. Binder, "Theory of Single Event Latchup in Complementary Metal-Oxide Semiconductor Integrated Circuits", *IEEE Trans. Nucl. Sci.*, Vol. 33(6), Dec. 1986, pp. 1714-1717.
2. G. Bruguier and J. M. Palau, "Single particle-induced latchup", *IEEE Trans. Nucl. Sci.*, Vol. 43(2), Mar. 1996, pp. 522-532.
3. Cyclotron Institute, Texas A&M University, [Texas A&M University Cyclotron Institute Radiation Effects Facility](#), webpage.
4. James F. Ziegler, "[The Stopping and Range of Ions in Matter](#)" (SRIM) software simulation tool, webpage.
5. D. Kececioglu, "Reliability and Life Testing Handbook", Vol. 1, PTR Prentice Hall, New Jersey, 1993, pp. 186-193.
6. Vanderbilt University, [ISDE CRÈME-MC](#), webpage.
7. A. J. Tylka, J. H. Adams, P. R. Boberg, et al., "CREME96: A Revision of the Cosmic Ray Effects on Micro-Electronics Code", *IEEE Trans. on Nucl. Sci.*, Vol. 44(6), Dec. 1997, pp. 2150-2160.
8. A. J. Tylka, W. F. Dietrich, and P. R. Boberg, "Probability distributions of high-energy solar-heavy-ion fluxes from IMP-8: 1973-1996", *IEEE Trans. on Nucl. Sci.*, Vol. 44(6), Dec. 1997, pp. 2140-2149.

10 Revision History

NOTE: Page numbers for previous revisions may differ from page numbers in the current version.

Changes from Revision * (December 2024) to Revision A (June 2026)	Page
• Added Single-Event Transient Results section.....	8

IMPORTANT NOTICE AND DISCLAIMER

TI PROVIDES TECHNICAL AND RELIABILITY DATA (INCLUDING DATASHEETS), DESIGN RESOURCES (INCLUDING REFERENCE DESIGNS), APPLICATION OR OTHER DESIGN ADVICE, WEB TOOLS, SAFETY INFORMATION, AND OTHER RESOURCES "AS IS" AND WITH ALL FAULTS, AND DISCLAIMS ALL WARRANTIES, EXPRESS AND IMPLIED, INCLUDING WITHOUT LIMITATION ANY IMPLIED WARRANTIES OF MERCHANTABILITY, FITNESS FOR A PARTICULAR PURPOSE OR NON-INFRINGEMENT OF THIRD PARTY INTELLECTUAL PROPERTY RIGHTS.

These resources are intended for skilled developers designing with TI products. You are solely responsible for (1) selecting the appropriate TI products for your application, (2) designing, validating and testing your application, and (3) ensuring your application meets applicable standards, and any other safety, security, regulatory or other requirements.

These resources are subject to change without notice. TI grants you permission to use these resources only for development of an application that uses the TI products described in the resource. Other reproduction and display of these resources is prohibited. No license is granted to any other TI intellectual property right or to any third party intellectual property right. TI disclaims responsibility for, and you fully indemnify TI and its representatives against any claims, damages, costs, losses, and liabilities arising out of your use of these resources.

TI's products are provided subject to [TI's Terms of Sale](#), [TI's General Quality Guidelines](#), or other applicable terms available either on [ti.com](#) or provided in conjunction with such TI products. TI's provision of these resources does not expand or otherwise alter TI's applicable warranties or warranty disclaimers for TI products. Unless TI explicitly designates a product as custom or customer-specified, TI products are standard, catalog, general purpose devices.

TI objects to and rejects any additional or different terms you may propose.

Copyright © 2026, Texas Instruments Incorporated

Last updated 10/2025