

TPS54x86 Step-Down Converter Evaluation Module User's Guide



Table of Contents

1 Introduction	2
1.1 Description.....	2
1.2 Applications.....	2
1.3 Features.....	2
2 TPS54386EVM Electrical Performance Specifications	3
3 Schematic	4
3.1 Sequencing Jump (JP3).....	5
3.2 Enable Jumpers (JP1 and JP2).....	5
3.3 Test Point Descriptions.....	5
4 Test Set Up	7
4.1 Equipment.....	7
4.2 Equipment Setup.....	8
4.3 Start Up / Shut Down Procedure.....	10
4.4 Output Ripple Voltage Measurement Procedure.....	10
4.5 Control Loop Gain and Phase Measurement Procedure.....	10
4.6 Equipment Shutdown.....	10
5 TPS54386EVM Typical Performance Data and Characteristic Curves	11
5.1 Efficiency.....	11
5.2 Line and Load Regulation.....	12
5.3 Output Voltage Ripple.....	12
5.4 Switch Node.....	13
5.5 Control Loop Bode Plot (low line, $V_{IN} = 8\text{ V}$).....	13
6 EVM Assembly Drawings and Layout	14
7 List of Materials	17
8 Revision History	17

List of Figures

Figure 3-1. TPS54386EVM Schematic.....	4
Figure 4-1. TPS54386EVM Recommended Test Set-Up.....	8
Figure 4-2. Tip and Barrel Measurement Technique (output ripple measurement using TP3 and TP4 or TP18 and TP19).....	9
Figure 4-3. Control Loop Measurement Setup.....	9
Figure 5-1. TPS54386EVM Efficiency versus Load Current $V_{IN} = 9.6\text{--}13.2\text{ V}$, $V_{OUT1} = 5.0\text{ V}$, $I_{OUT1} = 0\text{--}2\text{ A}$, $V_{OUT2} = 3.3\text{ V}$, $I_{OUT2} = 0\text{--}2\text{ A}$	11
Figure 5-2. TPS54386EVM Output Voltage versus Load Current $V_{IN} = 9.6\text{--}13.2\text{ V}$, $V_{OUT1} = 5.0\text{ V}$, $I_{OUT1} = 0\text{--}2\text{ A}$, $V_{OUT2} = 3.3\text{ V}$, $I_{OUT2} = 0\text{--}2\text{ A}$	12
Figure 5-3. TPS54386EVM Output Voltage Ripple ($V_{IN} = 13.2\text{ V}$, $I_{OUT1} = I_{OUT2} = 2\text{ A}$).....	12
Figure 5-4. TPS54386EVM Switching Waveforms $V_{IN} = 12\text{ V}$, $I_{OUT} = 2\text{ A}$ Ch1: TP9 (SW1), Ch2: TP12 (SW2).....	13
Figure 5-5. TPS54386EVM Gain and Phase vs Frequency.....	13
Figure 6-1. TPS54386EVM Component Placement (viewed from top).....	14
Figure 6-2. TPS54386EVM Top Copper (viewed from top).....	15
Figure 6-3. TPS54386EVM Bottom Copper (x-ray view from top).....	16

List of Tables

Table 2-1. Electrical Performance Specifications.....	3
Table 3-1. Test Point Descriptions.....	5
Table 7-1. TPS54386EVM List of Materials.....	17

Trademarks

All trademarks are the property of their respective owners.

1 Introduction

The TPS54386EVM evaluation module (EVM) is a dual non-synchronous buck converter providing fixed 5.0-V and 3.3-V output at up to 2 A each from a 12-V input bus. The EVM is designed to start up from a single supply, so no additional bias voltage is required for start-up. The module uses the TPS54386 Dual Non-Synchronous Buck Converter with Integral High-Side FET.

1.1 Description

TPS54386EVM is designed to use a regulated 12-V (+10% / -20%) bus to produce two regulated power rails, 5.0 V and 3.3 V at up to 2 A of load current each. TPS54386EVM is designed to demonstrate the TPS54386 in a typical 12-V bus system while providing a number of test points to evaluate the performance of the TPS54386 in a given application. The EVM can be modified to other input or output voltages by changing some of the components.

1.2 Applications

- Non-Isolated Low Current Point of Load and Voltage Bus Converters
- Consumer Electronics
- LCD TV
- Computer Peripherals
- Digital Set Top Box

1.3 Features

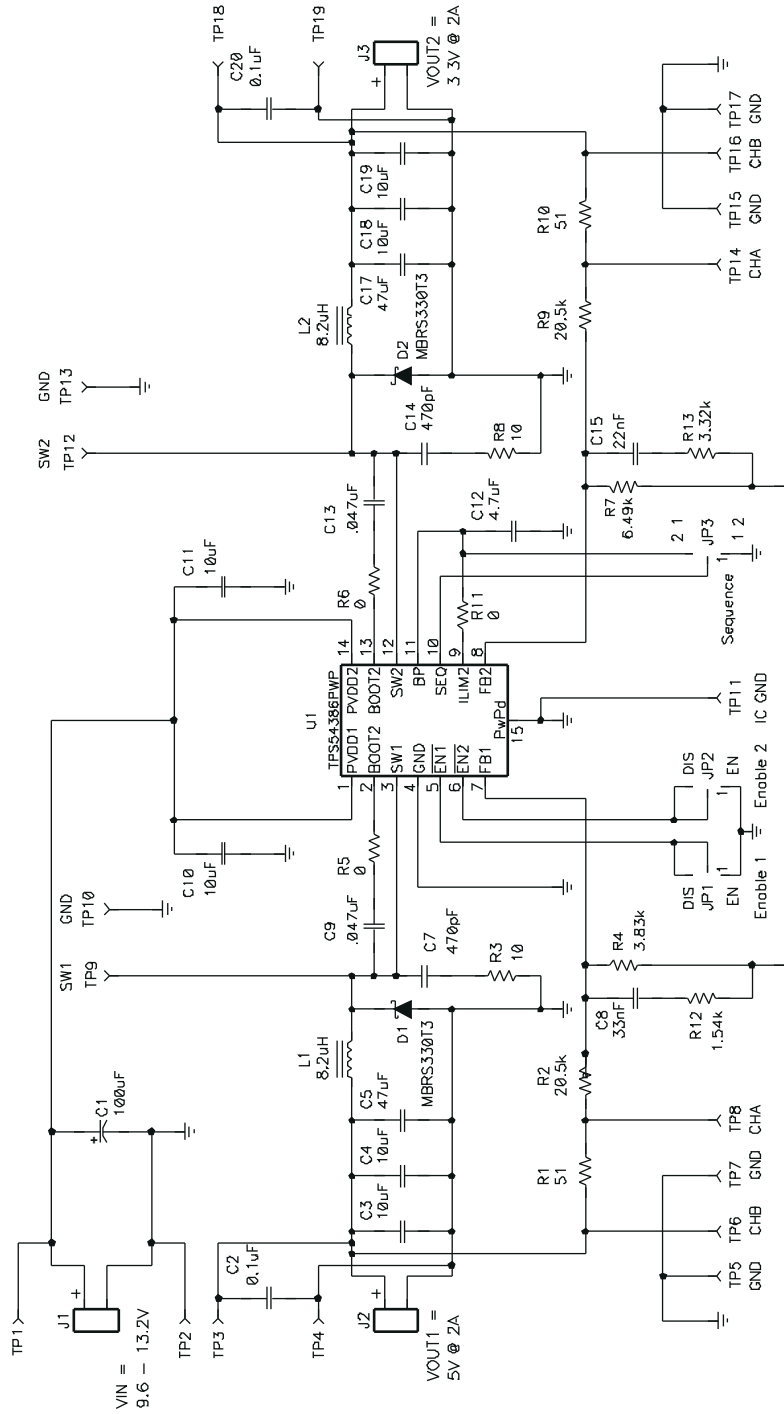
- 12-V (+10% / -20%) Input Range
- 5.0-V and 3.3-V Fixed Output Voltage, Adjustable with Resistor Change
- 2- A_{DC} Steady State Output Current (3 A Peak)
- 600-kHz Switching Frequency (fixed by TPS54386)
- Internal Switching MOSFET and External Rectifier Diode
- Double Sided 2 Active Layer PCB (all components on top side, test point signals routed on internal layers)
- Active Converter Area Less than 1.8 Square Inches (0.89" x 1.97")
- Convenient Test Points (used for probing switching waveforms and non-invasive loop response testing)

2 TPS54386EVM Electrical Performance Specifications

Table 2-1. Electrical Performance Specifications

SYMBOL	PARAMETER	MIN	TYP	MAX	UNITS	
Input Characteristics						
V_{IN}	Input voltage	9.6	12	13.2	V	
I_{IN}	Input current	$V_{IN} = \text{nom}, I_{OUT} = \text{max}$	-	1.6	2.0	A
	No load input current	$V_{IN} = \text{nom}, I_{OUT} = 0 \text{ A}$	-	12	20	mA
V_{IN_UVLO}	Input UVLO	$I_{OUT} = \text{min to max}$	4.0	4.2	4.4	V
Output Characteristics						
V_{OUT1}	Output voltage 1	$V_{IN} = \text{nom}, I_{OUT} = \text{nom}$	4.85	5.0	5.15	V
V_{OUT2}	Output voltage 2	$V_{IN} = \text{nom}, I_{OUT} = \text{nom}$	3.20	3.3	3.40	
	Line regulation	$V_{IN} = \text{min to max}$	-	-	1%	
	Load regulation	$I_{OUT} = \text{min to max}$	-	-	1%	
V_{OUT_ripple}	Output voltage ripple	$V_{IN} = \text{nom}, I_{OUT} = \text{max}$	-	-	30	mV _{pp}
I_{OUT1}	Output current 1	$V_{IN} = \text{min to max}$	0		2.0	A
I_{OUT2}	Output current 2	$V_{IN} = \text{min to max}$	0		2.0	
I_{OCP1}	Output over current Channel 1	$V_{IN} = \text{nom}, V_{OUT} = V_{OUT1} - 5\%$	3.1	3.7	4.5	
I_{OCP2}	Output over current Channel 2	$V_{IN} = \text{nom}, V_{OUT} = V_{OUT2} - 5\%$	3.1	3.7	4.5	
Systems Characteristics						
F_{SW}	Switching frequency		510	630	750	kHz
η_{pk}	Peak efficiency	$V_{IN} = \text{nom}$	-	90%	-	
η	Full load efficiency	$V_{IN} = \text{nom}, I_{OUT} = \text{max}$	-	85%	-	
Top	Operating temperature range	$V_{IN} = \text{min to max}, I_{OUT} = \text{min to max}$	0	25	60	°C

3 Schematic



⚠ Component Not Populated on PCB

Figure 3-1. TPS54386EVM Schematic

Note

For reference only, see [Table 7-1](#), List of Materials for specific values.

3.1 Sequencing Jump (JP3)

The TPS54386EVM provides a 3-pin, 100-mil header and shunt for programming the TPS54386's sequencing function. Placing the JP3 shunt in the left position connects the sequence pin to BP and sets the TPS54386 controller to sequence Channel 2 prior to Channel 1 when Enable 2 is activated. Placing the JP3 shunt in the right position connects the sequence pin to GND and sets the TPS54386 converter to sequence Channel 1 prior to Channel 1 when Enable 1 is activated. Removing the JP3 shunt disables sequencing and allows Channel 1 and Channel 2 to be enabled independently.

3.2 Enable Jumpers (JP1 and JP2)

TPS54386EVM provides separate 3-pin, 100-mil headers and shunts for exercising the TPS54386 Enable functions. When JP3 is removed placing the JP1 shunt in the left position connects EN1 to ground and turns on Output 1 and placing the JP2 shunt in the left position connects EN2 to ground and turns on Output 2.

When the JP3 shunt is in the LEFT position, placing the JP2 shunt in the left position connects EN2 to ground and turns on first Output 2 and then Output 1.

When the JP3 shunt is in the RIGHT position, placing the JP1 shunt in the left position connects EN1 to ground and turns on first Output 1 and then Output 2.

3.3 Test Point Descriptions

Table 3-1. Test Point Descriptions

TEST POINT	LABLE	USE	SECTION
TP1	VIN	Monitor input voltage	Section 3.3.1
TP2	GND	Ground for input voltage	Section 3.3.1
TP3	VOUT1	Monitor VOUT1 Voltage	Section 3.3.2
TP4	GND	Ground for VOUT1 voltage	Section 3.3.2
TP5	GND	Ground for Channel B loop monitoring	Section 3.3.3
TP6	CHB	Channel B for loop monitoring	Section 3.3.3
TP7	GND	Ground for Channel A loop monitoring	Section 3.3.3
TP8	CHA	Channel A for loop monitoring	Section 3.3.3
TP9	SW1	Monitor switching node of Channel 1	Section 3.3.4
TP10	GND	Ground for switch node of Channel 1	Section 3.3.4
TP11	IC_GND	Monitor device ground	Section 3.3.5
TP12	SW2	Monitor switching node of Channel 2	Section 3.3.6
TP13	GND	Ground for switch node of Channel 2	Section 3.3.6
TP14	CHA	Channel A for loop monitoring	Section 3.3.7
TP15	GND	Ground for Channel A loop monitoring	Section 3.3.7
TP16	CHB	Channel B for loop monitoring	Section 3.3.7
TP17	GND	Ground for Channel B loop monitoring	Section 3.3.7
TP18	VOUT2	Monitor VOUT2 voltage	Section 3.3.8
TP19	GND	Ground for VOUT2 voltage	Section 3.3.8

3.3.1 Input Voltage Monitoring (TP1 and TP2)

TPS54386EVM provides two test points for measuring the voltage applied to the module. This allows the user to measure the actual module voltage without losses from input cables and connectors. All input voltage measurements should be made between TP1 and TP2. To use TP1 and TP2, connect a voltmeter positive terminal to TP1 and negative terminal to TP2.

3.3.2 Channel 1 Output Voltage Monitoring (TP3 and TP4)

TPS54386EVM provides two test points for measuring the voltage generated by the module. This allows the user to measure the actual module output voltage without losses from output cables and connectors. All output voltage measurements should be made between TP3 and TP4. To use TP3 and TP4, connect a voltmeter positive terminal to TP3 and negative terminal to TP4. For Output ripple measurements, TP3 and TP4 allow a user to limit the ground loop area by using the Tip and Barrel measurement technique shown in [Figure 4-2](#). All output ripple measurements should be made using the Tip and Barrel measurement.

3.3.3 Channel 1 Loop Analysis (TP5, TP6, TP7 and TP8)

TPS54386EVM contains a 51- Ω series resistor (R1) in the feedback loop to allow for matched impedance signal injection into the feedback for loop response analysis. An isolation transformer should be used to apply a small (30 mV or less) signal across R1 through TP6 and TP8. By monitoring the ac injection level at TP8 and the returned ac level at TP6, the power supply loop response can be determined.

3.3.4 Channel 1 Switching Waveforms (TP9 and TP10)

TPS54386EVM provides a test point and a local ground connection (TP10) for the monitoring of the Channel 1 power stage switching waveform. Connect an oscilloscope probe to TP9 to monitor the switch node voltage for Channel 1.

3.3.5 TPS54386 Device Ground (TP11)

TPS54386EVM provides a test point for the device ground. To measure the device pin voltages, connect the ground of the oscilloscope probe to TP11.

3.3.6 Channel 2 Switching Waveforms (TP12 and TP13)

TPS54386EVM provides a test point and a local ground connection (TP13) for the monitoring of the Channel 1 power stage switching waveform. Connect an oscilloscope probe to TP12 to monitor the switch node voltage for Channel 1.

3.3.7 Channel 2 Loop Analysis (TP14, TP15, TP16 and TP17)

TPS54386EVM contains a 51- Ω series resistor (R10) in the feedback loop to allow for matched impedance signal injection into the feedback for loop response analysis. An isolation transformer should be used to apply a small (30 mV or less) signal across R10 through TP14 and TP16. By monitoring the ac injection level at TP14 and the returned ac level at TP16, the power supply loop response can be determined.

3.3.8 Output Voltage Monitoring (TP18 and TP19)

TPS54386EVM provides two test points for measuring the voltage generated by the module. This allows the user to measure the actual module output voltage without losses from output cables and connector losses. All output voltage measurements should be made between TP18 and TP19. To use TP18 and TP19, connect a voltmeter positive terminal to TP18 and negative terminal to TP19. For output ripple measurements, TP18 and TP19 allow a user to limit the ground loop area by using the Tip and Barrel measurement technique shown in [Figure 4-2](#). All output ripple measurements should be made using the Tip and Barrel measurement.

4.4 Test Set Up

4.1 Equipment

4.1.1 Voltage Source

VIN: The input voltage source (VIN) should be a 0-15 V variable dc source capable of 5 A_{DC}. Connect VIN to J1 as shown in [Figure 4-2](#).

4.1.2 Meters

- A1: 0-3 A_{DC}, ammeter
- V1: VIN, 0-15 V voltmeter
- V2: VOUT1 0-6 V voltmeter
- V3: VOUT2 0-4 V voltmeter

4.1.3 Loads

LOAD1: The Output1 Load (LOAD1) should be an electronic constant current mode load capable of 0-2 A_{DC} at 5.0 V

LOAD2: The Output2 Load (LOAD2) should be an electronic constant current mode load capable of 0-2 A_{DC} at 3.3 V

4.1.4 Oscilloscope

Oscilloscope: A digital or analog oscilloscope can be used to measure the ripple voltage on VOUT. The oscilloscope should be set for 1-M Ω impedance, 20-MHz bandwidth, ac coupling, 1- μ s/division horizontal resolution, 10-mV/division vertical resolution for taking output ripple measurements. TP3 and TP4 or TP18 and TP19 can be used to measure the output ripple voltages by placing the oscilloscope probe tip through TP3 or TP18 and holding the ground barrel to TP4 or TP19 as shown in [Figure 4-2](#). For a hands free approach, the loop in TP4 or TP19 can be cut and opened to cradle the probe barrel. Using a leaded ground connection may induce additional noise due to the large ground loop area.

4.1.5 Recommended Wire Gauge

VIN to J1: The connection between the source voltage, VIN and J1 of HPA241 can carry as much as 5 A_{DC}. The minimum recommended wire size is AWG #16 with the total length of wire less than 4 feet (2 feet input, 2 feet return).

J2 to LOAD1: The power connection between J2 of HPA241 and LOAD1 can carry as much as 2 A_{DC}. The minimum recommended wire size is AWG #18, with the total length of wire less than 2 feet (1 foot output, 1 foot return).

J3 to LOAD2: The power connection between J3 of HPA241 and LOAD2 can carry as much as 2 A_{DC}. The minimum recommended wire size is AWG #18, with the total length of wire less than 2 feet (1 foot output, 1 foot return).

4.1.6 Other

Fan: This evaluation module includes components that can get hot to the touch, because this EVM is not enclosed to allow probing of circuit nodes, a small fan capable of 200-400 lfm is recommended to reduce component surface temperatures to prevent user injury. The EVM should not be left unattended while powered. The EVM should not be probed while the fan is not running.

4.2 Equipment Setup

Shown in [Figure 4-1](#) is the basic test set up recommended to evaluate the TPS54386EVM. Please note that although the return for J1, J2 and JP3 are the same system ground, the connections should remain separate as shown in [Figure 4-1](#)

4.2.1 Procedure

1. Working at an ESD workstation, make sure that any wrist straps, bootstraps or mats are connected referencing the user to earth ground before power is applied to the EVM. Electrostatic smock and safety glasses should also be worn.
2. Prior to connecting the dc input source, VIN, it is advisable to limit the source current from VIN to 5.0 A maximum. Make sure VIN is initially set to 0 V and connected as shown in [Figure 4-1](#).
3. Connect the ammeter A1 (0-5 A range) between VIN and J1 as shown in [Figure 4-1](#).
4. Connect voltmeter V1 to TP1 and TP2 as shown in [Figure 4-1](#).
5. Connect LOAD1 to J2 as shown in [Figure 4-1](#). Set LOAD1 to constant current mode to sink 0 A_{DC} before VIN is applied.
6. Connect voltmeter, V2 across TP3 and TP4 as shown in [Figure 4-1](#).
7. Connect LOAD2 to J3 as shown in [Figure 4-1](#). Set LOAD2 to constant current mode to sink 0 A_{DC} before VIN is applied.
8. Connect voltmeter, V3 across TP18 and TP19 as shown in [Figure 4-1](#).
9. Place fan as shown in [Figure 4-1](#) and turn on, making sure air is flowing across the EVM.

4.2.2 Diagram

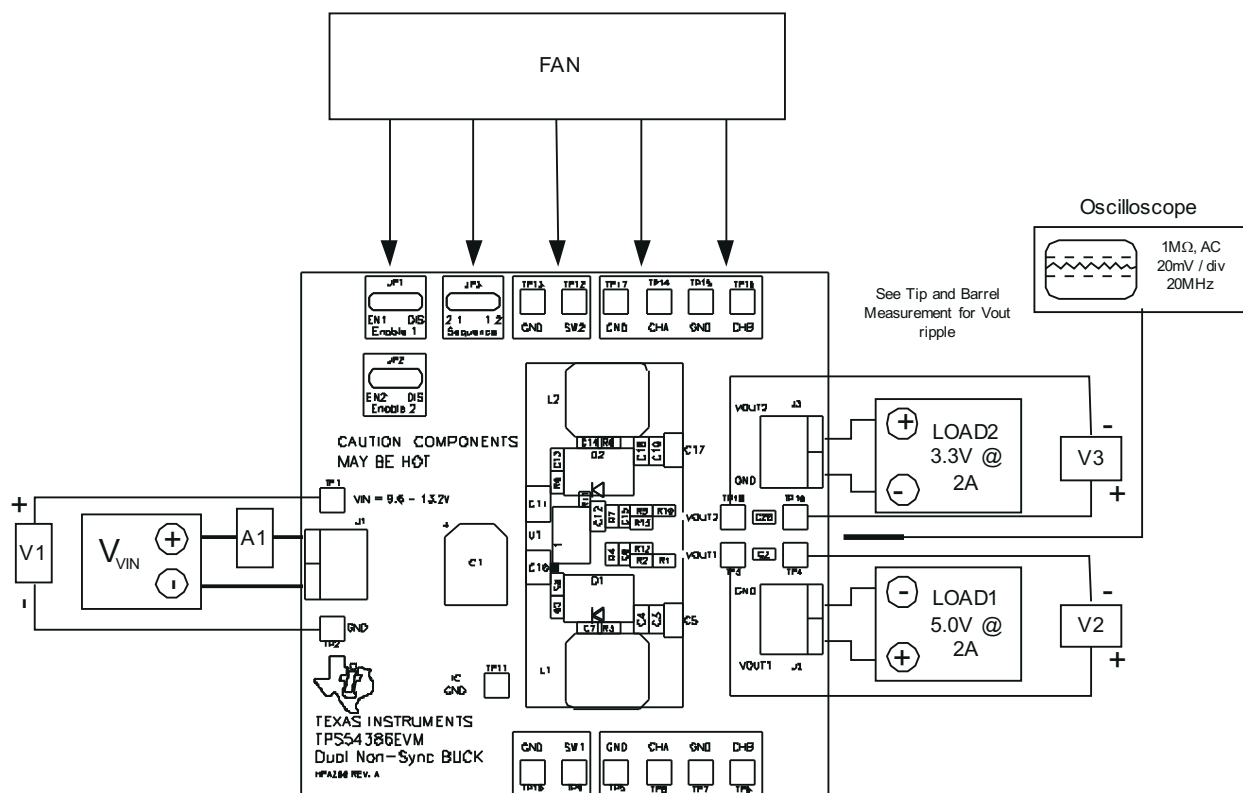


Figure 4-1. TPS54386EVM Recommended Test Set-Up

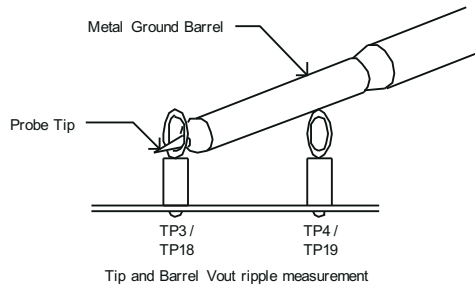


Figure 4-2. Tip and Barrel Measurement Technique (output ripple measurement using TP3 and TP4 or TP18 and TP19)

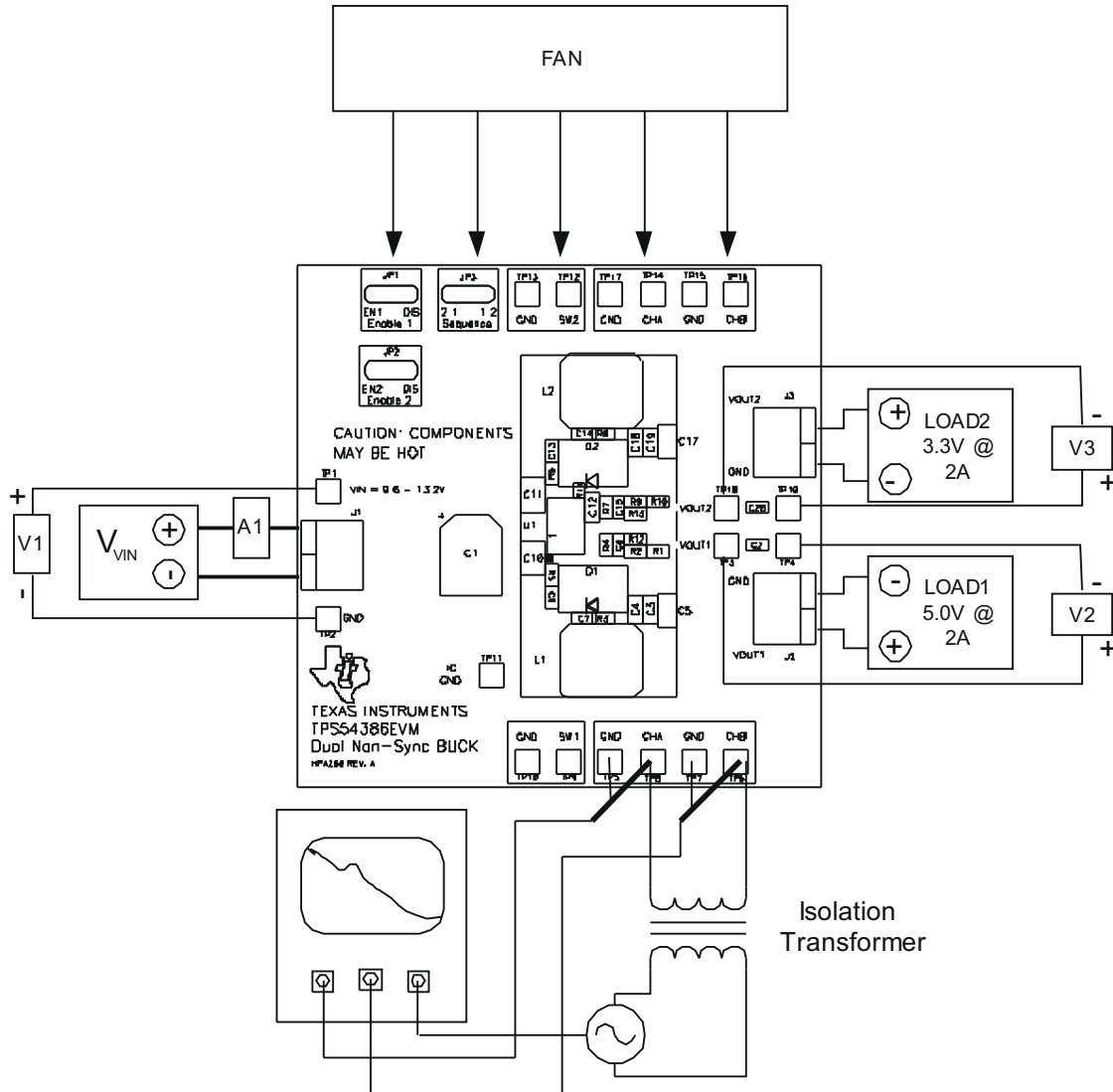


Figure 4-3. Control Loop Measurement Setup

4.3 Start Up / Shut Down Procedure

1. Increase VIN from 0 V to 12 V_{DC}.
2. Vary LOAD1 from 0 – 2 A_{DC}
3. Vary LOAD2 from 0 – 2 A_{DC}
4. Vary VIN from 9.6 V_{DC} to 13.2 V_{DC}
5. Decrease VIN to 0 V_{DC}
6. Decrease LOAD1 to 0 A.

4.4 Output Ripple Voltage Measurement Procedure

1. Increase VIN from 0 V to 12 V_{DC}.
2. Adjust LOAD1 to desired load between 0 A_{DC} and 2 A_{DC}.
3. Adjust VIN to desired load between 9.6 V_{DC} and 13.2 V_{DC}.
4. Connect oscilloscope probe to TP3 and TP4 or TP18 and TP19 as shown in [Figure 4-2](#).
5. Measure output ripple.
6. Decrease VIN to 0 V_{DC}.
7. Decrease LOAD1 to 0 A.

4.5 Control Loop Gain and Phase Measurement Procedure

1. Connect 1 kHz to 1 MHz isolation transformer to TP6 and TP8 as show in [Figure 4-3](#).
2. Connect input signal amplitude measurement probe (Channel A) to TP8 as shown in [Figure 4-3](#).
3. Connect output signal amplitude measurement probe (Channel B) to TP6 as shown in [Figure 4-3](#).
4. Connect ground lead of Channel A and Channel B to TP5 & TP7 as shown in [Figure 4-3](#).
5. Inject 30 mV or less signal across R1 through isolation transformer.
6. Sweep frequency from 1 kHz to 1 MHz with 10 Hz or lower post filter.

$$20 \times \text{LOG} \left(\frac{\text{Channel B}}{\text{Channel A}} \right)$$

7. Control loop gain can be measured by:
8. Control loop phase is measured by the phase difference between Channel A and Channel B.
9. Control loop for Channel 2 can be measured by making the following substitutions.
 - a. Change TP6 to TP16
 - b. Change TP8 to TP14
 - c. Change TP5 to TP17
 - d. Change TP7 to TP15
10. Disconnect isolation transformer before making any other measurements (signal injection into feedback may interfere with accuracy of other measurements).

4.6 Equipment Shutdown

1. Shut down oscilloscope
2. Shut down VIN
3. Shut down LOAD1
4. Shut down fan

5 TPS54386EVM Typical Performance Data and Characteristic Curves

Figure 5-1 through Figure 5-5 present typical performance curves for the TPS54386EVM. Since actual performance data can be affected by measurement techniques and environmental variables, these curves are presented for reference and may differ from actual field measurements.

5.1 Efficiency

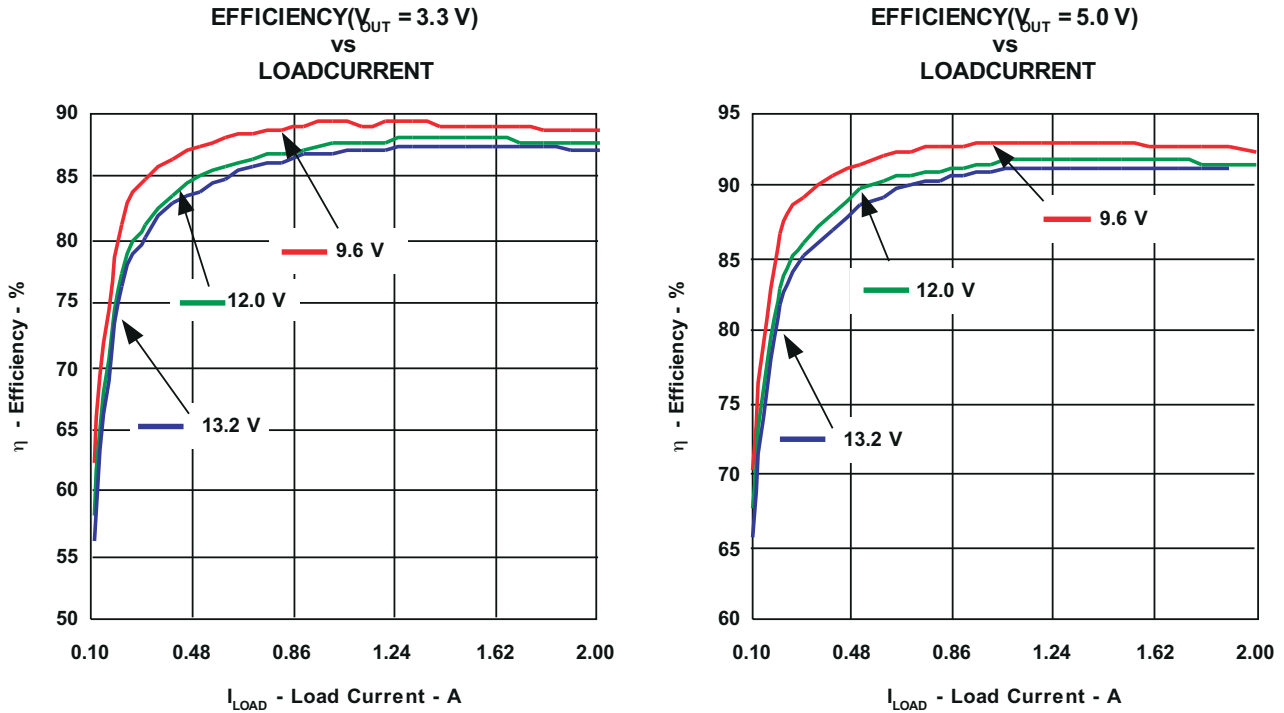


Figure 5-1. TPS54386EVM Efficiency verse Load Current $V_{IN}=9.6-13.2\text{ V}$, $V_{OUT1} = 5.0\text{ V}$ $I_{OUT1} = 0-2\text{ A}$, $V_{OUT2} = 3.3\text{ V}$ $I_{OUT2} = 0-2\text{ A}$

5.2 Line and Load Regulation

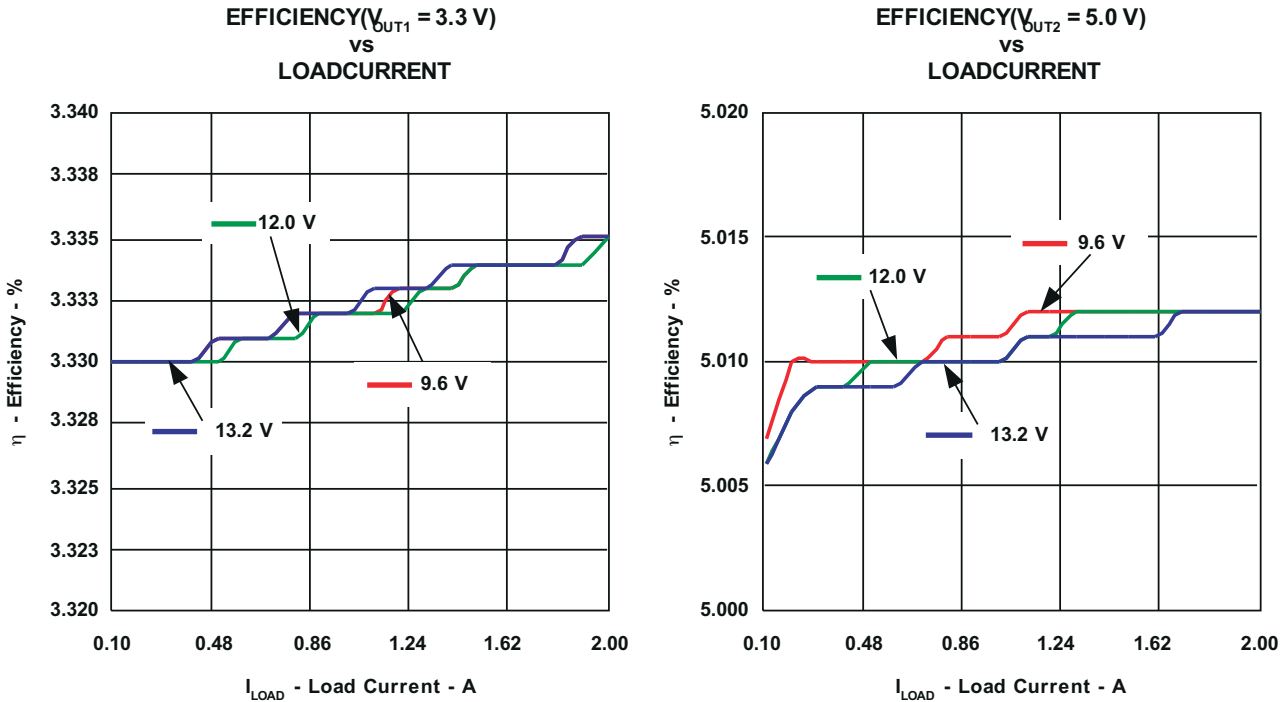


Figure 5-2. TPS54386EVM Output Voltage versus Load Current $V_{IN} = 9.6\text{--}13.2\text{ V}$, $V_{OUT1} = 5.0\text{ V}$ $I_{OUT1} = 0\text{--}2\text{ A}$, $V_{OUT2} = 3.3\text{ V}$ $I_{OUT2} = 0\text{--}2\text{ A}$

5.3 Output Voltage Ripple

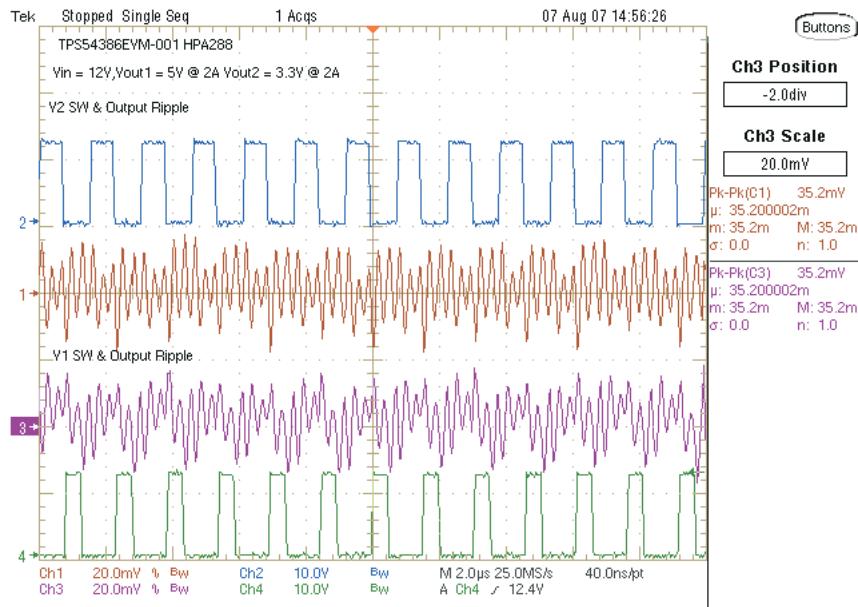


Figure 5-3. TPS54386EVM Output Voltage Ripple ($V_{IN} = 13.2\text{ V}$, $I_{OUT1} = I_{OUT2} = 2\text{ A}$)

5.4 Switch Node

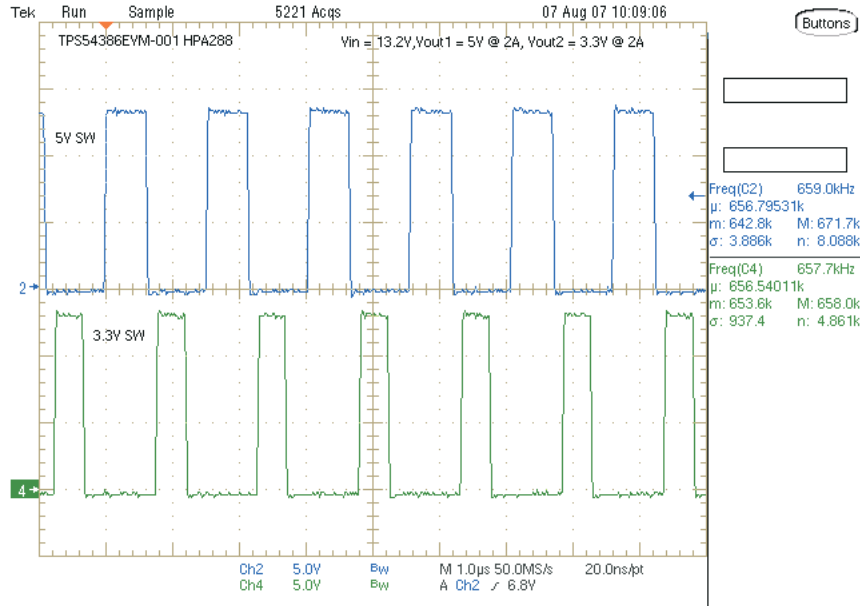


Figure 5-4. TPS54386EVM Switching Waveforms $V_{IN} = 12\text{ V}$, $I_{OUT} = 2\text{ A}$ Ch1: TP9 (SW1), Ch2: TP12 (SW2)

5.5 Control Loop Bode Plot (low line, $V_{IN} = 8\text{ V}$)

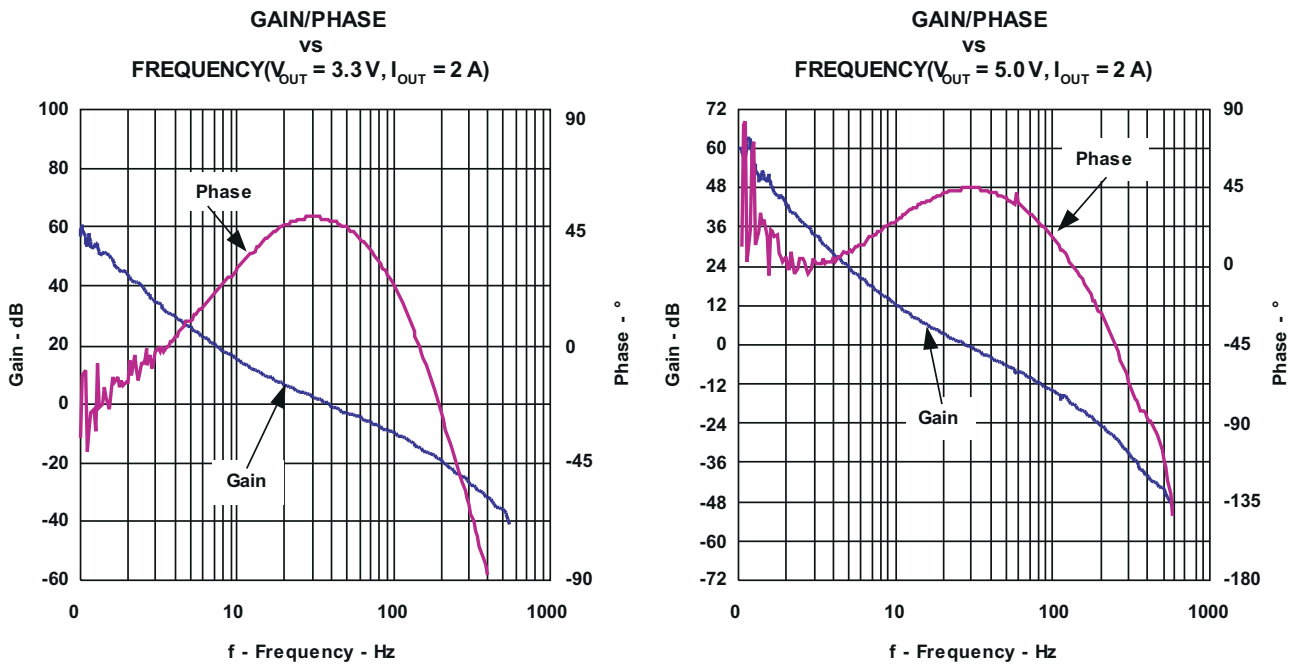


Figure 5-5. TPS54386EVM Gain and Phase vs Frequency

6 EVM Assembly Drawings and Layout

The following figures (Figure 6-1 through Figure 6-3) show the design of the TPS54386EVM printed circuit board. The EVM has been designed using a 4-Layer, 2-oz copper-clad circuit board 3.0" x 3.0" with all components in a 1.15" x 2.15" active area on the top side and all active traces to the top and bottom layers to allow the user to easily view, probe and evaluate the TPS54386 control device in a practical double-sided application. Moving components to both sides of the PCB or using additional internal layers can offer additional size reduction for space constrained systems.

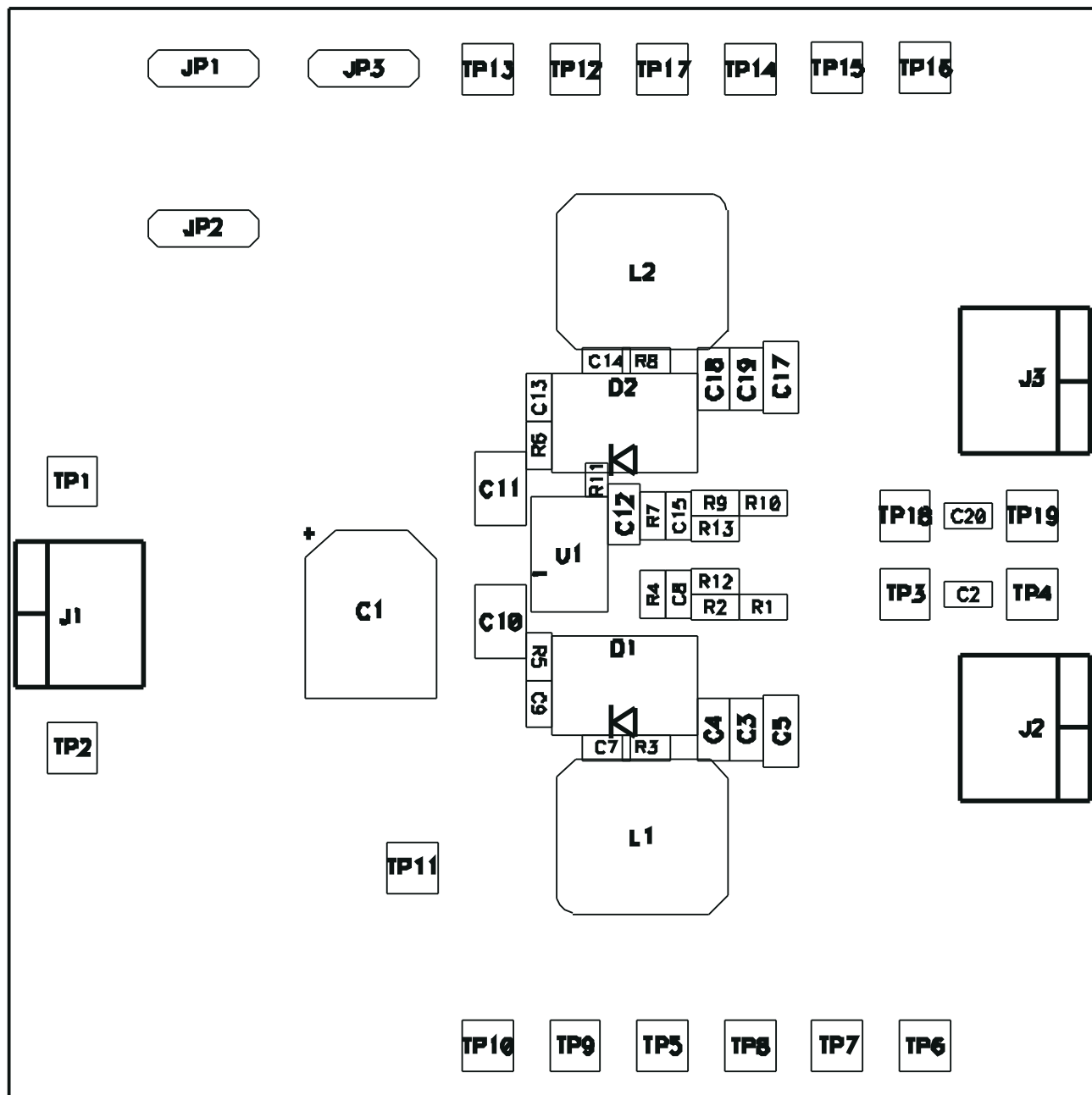


Figure 6-1. TPS54386EVM Component Placement (viewed from top)

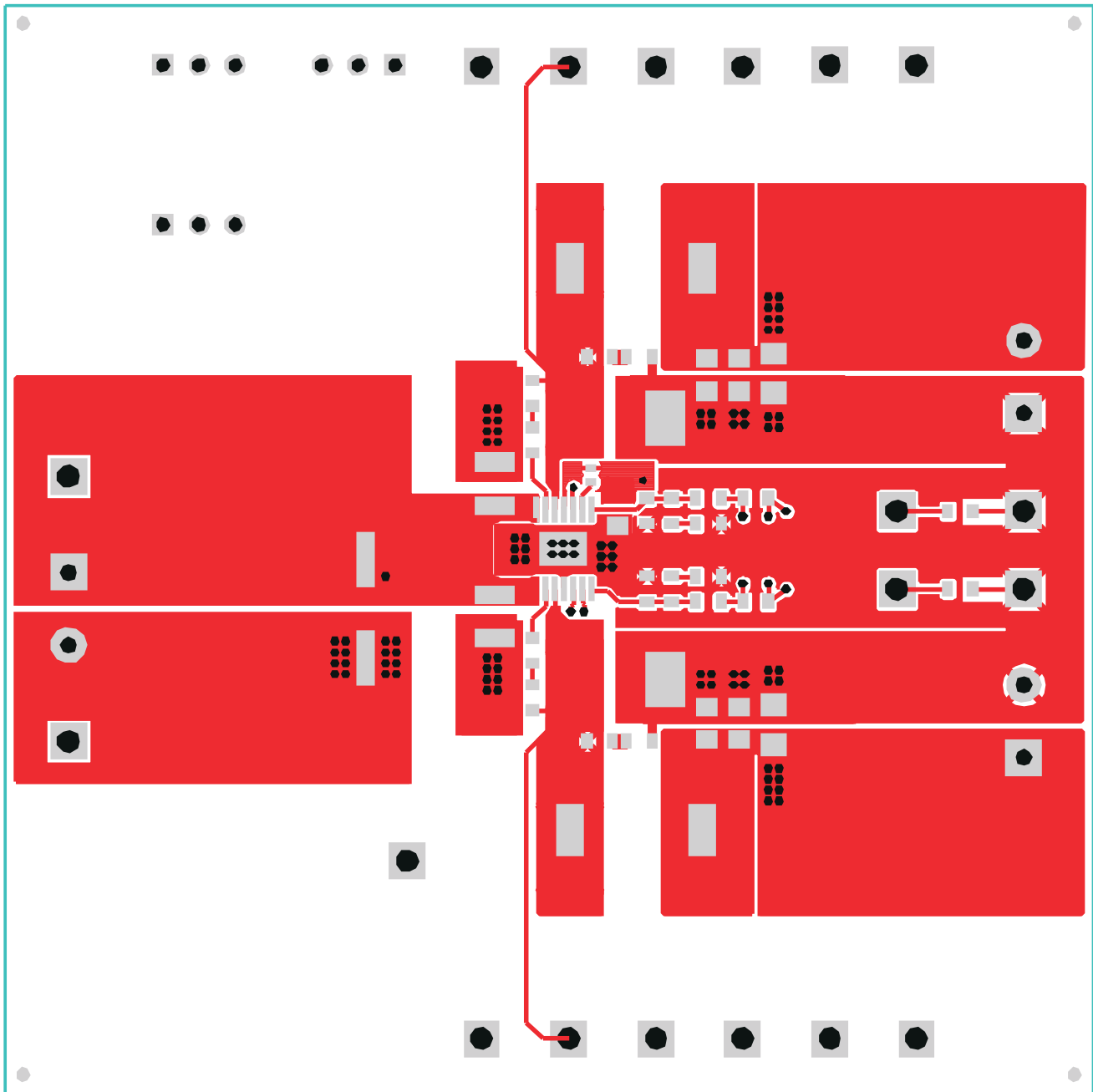


Figure 6-2. TPS54386EVM Top Copper (viewed from top)

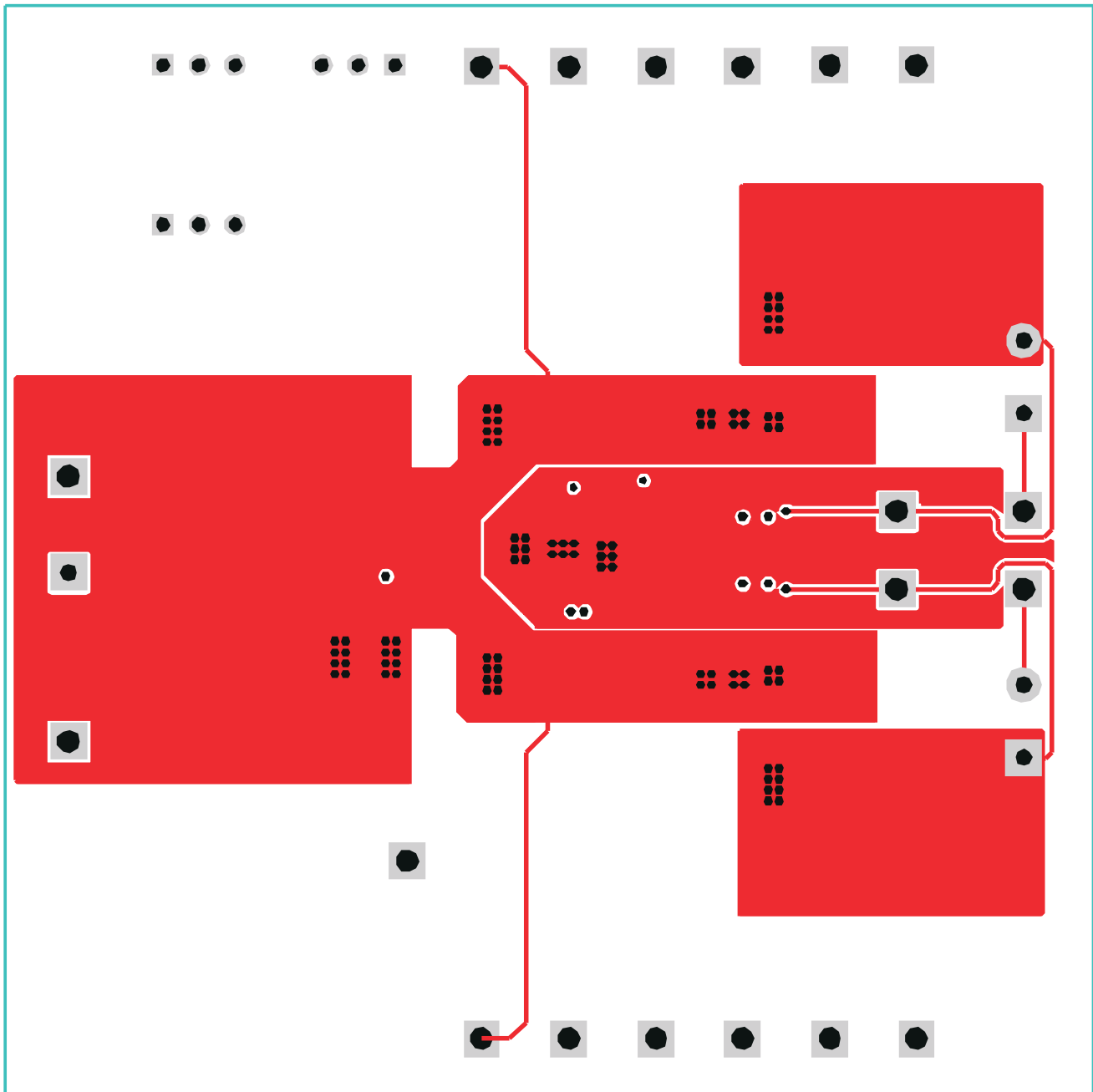


Figure 6-3. TPS54386EVM Bottom Copper (x-ray view from top)

7 List of Materials

Table 7-1. TPS54386EVM List of Materials

QTY	REF DES	DESCRIPTION	MFR	PART NUMBER
1	C1	Capacitor, aluminum, 25 V, $\pm 20\%$, 100 μF , 0.328 x 0.390 inch	Panasonic	EEEFC1E101P
2	C10, C11	Capacitor, ceramic, 25 V, X5R, 20%, 10 μF , 1210	TDK	C3216X5R1E106M
1	C12	Capacitor, ceramic, 10 V, X5R, 20%, 4.7 μF , 0805	Std	Std
1	C15	Capacitor, ceramic, 25 V, X7R, 20%, 22 nF, 0603	Std	Std
2	C2, C20	Capacitor, ceramic, 10 V, X7R, 20%, 0.1 μF , 0603	Std	Std
4	C3, C4, C18, C19	Capacitor, ceramic, 6.3 V, X5R, 20%, 10 μF , 0805	TDK	C2012X5R0J106M
2	C5, C17	Capacitor, ceramic, 6.3 V, X5R, 20%, 47 μF , 1206	Std	Std
2	C7, C14	Capacitor, ceramic, 25 V, X7R, 20%, 470 pF, 0603	Std	Std
1	C8	Capacitor, ceramic, 25 V, X7R, 20%, 33 nF, 0603	Std	Std
2	C9, C13	Capacitor, ceramic, 25 V, X7R, 20%, 0.047 μF , 0603	Std	Std
2	D1, D2	Diode, Schottky, 3 A, 30 V, MBRS330T3, SMC	On Semi	MBRS330T3
2	L1, L2	Inductor, power, 4.38 A, 0.02 Ω , 8.2 μH , 0.402 x 0.392 inch	Coilcraft	MSS1048-822L
2	R1, R10	Resistor, chip, 1/16 W, 5%, 51 Ω , 0603	Std	Std
2	R2, R9	Resistor, chip, 1/16 W, 1%, 20 k Ω , 0603	Std	Std
2	R3, R8	Resistor, chip, 1/16 W, 5%, 10 Ω , 0603	Std	Std
1	R4	Resistor, chip, 1/16 W, 1%, 3.83 k Ω , 0603	Std	Std
3	R5, R6, R11	Resistor, chip, 1/16 W, 5%, 0 Ω , 0603	Std	Std
1	R7	Resistor, chip, 1/16 W, 1%, 6.49 k Ω , 0603	Std	Std
1	R12	Resistor, chip, 1/16 W, 1%, 1.54 k Ω , 0603	Std	Std
1	R13	Resistor, chip, 1/16 W, 1%, 3.32 k Ω , 0603	Std	Std
3	TP1, TP3, TP18	Test point, red, thru hole, 5010, 0.125 x 0.125 inch	Keystone	5010
1	U1**	TPS54386PWP, HTSSOP-14	TI	TPS54386PWP

8 Revision History

NOTE: Page numbers for previous revisions may differ from page numbers in the current version.

Changes from Revision * (March 2008) to Revision A (October 2021)	Page
• Updated the numbering format for tables, figures, and cross-references throughout the document.	2
• Updated the user's guide title.....	2

IMPORTANT NOTICE AND DISCLAIMER

TI PROVIDES TECHNICAL AND RELIABILITY DATA (INCLUDING DATASHEETS), DESIGN RESOURCES (INCLUDING REFERENCE DESIGNS), APPLICATION OR OTHER DESIGN ADVICE, WEB TOOLS, SAFETY INFORMATION, AND OTHER RESOURCES "AS IS" AND WITH ALL FAULTS, AND DISCLAIMS ALL WARRANTIES, EXPRESS AND IMPLIED, INCLUDING WITHOUT LIMITATION ANY IMPLIED WARRANTIES OF MERCHANTABILITY, FITNESS FOR A PARTICULAR PURPOSE OR NON-INFRINGEMENT OF THIRD PARTY INTELLECTUAL PROPERTY RIGHTS.

These resources are intended for skilled developers designing with TI products. You are solely responsible for (1) selecting the appropriate TI products for your application, (2) designing, validating and testing your application, and (3) ensuring your application meets applicable standards, and any other safety, security, regulatory or other requirements.

These resources are subject to change without notice. TI grants you permission to use these resources only for development of an application that uses the TI products described in the resource. Other reproduction and display of these resources is prohibited. No license is granted to any other TI intellectual property right or to any third party intellectual property right. TI disclaims responsibility for, and you fully indemnify TI and its representatives against any claims, damages, costs, losses, and liabilities arising out of your use of these resources.

TI's products are provided subject to [TI's Terms of Sale](#), [TI's General Quality Guidelines](#), or other applicable terms available either on ti.com or provided in conjunction with such TI products. TI's provision of these resources does not expand or otherwise alter TI's applicable warranties or warranty disclaimers for TI products. Unless TI explicitly designates a product as custom or customer-specified, TI products are standard, catalog, general purpose devices.

TI objects to and rejects any additional or different terms you may propose.

Copyright © 2026, Texas Instruments Incorporated

Last updated 10/2025