

LMR50410EVM User's Guide

The Texas Instruments LMR50410EVM evaluation module (EVM) helps designers evaluate the operation and performance of the PLMR50410 wide-input synchronous buck regulator. This document describes the setup and the input/output connections of the EVM. The included are the board layout, schematic, and bill of materials.

1 Introduction

The Texas Instruments LMR50410EVM evaluation module (EVM) helps designers evaluate the operation and performance of the PLMR50410 wide-input buck regulator.

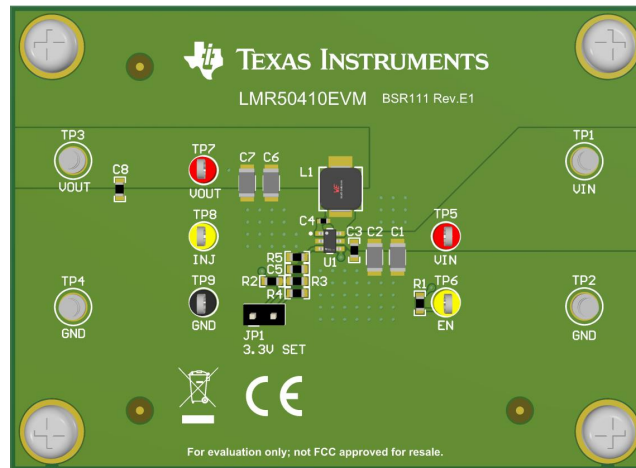


Figure 1. LMR50410EVM Board

EVM Features

- 4-V to 36-V input voltage range
- Default 5-V output
- Up to 1-A output current
- 700-kHz switching frequency
- Hiccup mode short current protection
- Internal compensation

The EVM contains one DC/DC converter (see [Table 1](#)).

Table 1. Device and Package Configurations

CONVERTER	EVM	DEVICE	PACKAGE
U1	LMR50410EVM	PLMR50410	SOT23-6

2 Setup

This section describes the jumpers and connectors on the EVM and how to properly connect, set up, and use the LMR50410EVM.

2.1 Input/Output Connector Description

VIN — Terminal TP1 – Power input terminal for the converter. Adjacent to it is the GND reference ground. Use this terminal to attach the EVM to a cable harness.

VOUT — Terminal TP3 – Regulated output voltage for the converter. Adjacent to it is the GND reference ground.

GND — Terminal TP2, TP4 – Ground reference for the converter. Use these terminals to attach the EVM to a cable harness.

VOUT SETTING — Jumper JP1 – Used to set output voltage to 5-V or 3.3-V output

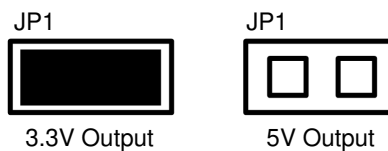


Figure 2. Vout Jumper Setting

Testpoint — TP7, TP8, TP9 – Test points used for loop response measurements

2.2 Adjusting the Output Voltage

If other outputs need to be configured, leave jumper J1 unconnected and adjust the feedback resistors using [Equation 1](#).

$$V_{OUT} = V_{REF} \times (1 + (R3 / R5))$$

where

- V_{REF} is 1.0 V

(1)

3 LMR50410EVM Schematic

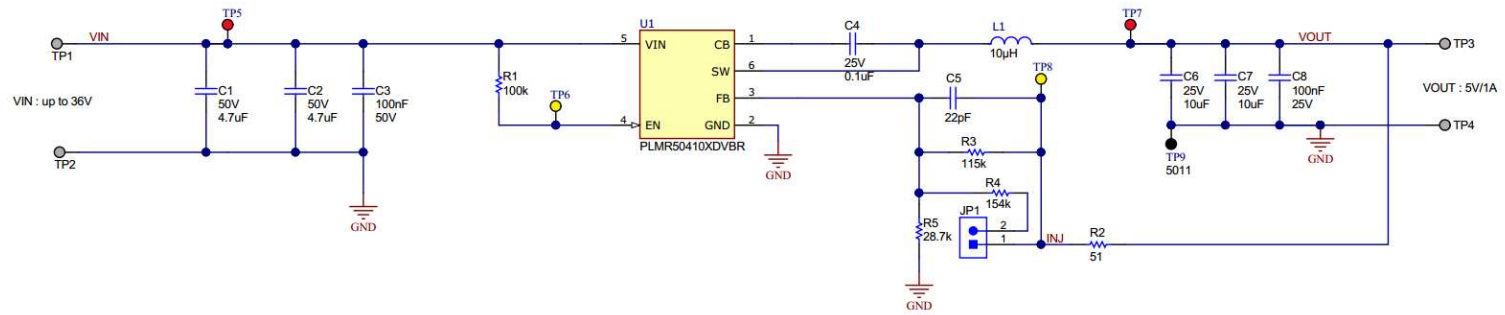


Figure 3. LMR50410EVM Schematic

4 Board Layout

Figure 4 and Figure 5 show the board layout for the LMR50410EVM. The PCB consists of a 2-layer design. The board size is 57 mm x 79 mm, 1-oz copper planes are applied on both layers.

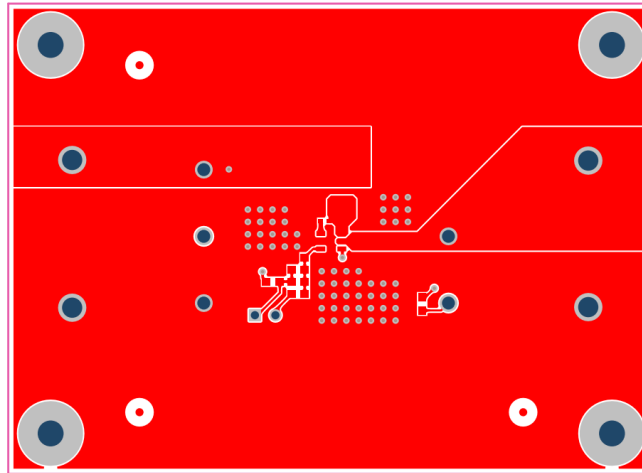


Figure 4. Top Layer

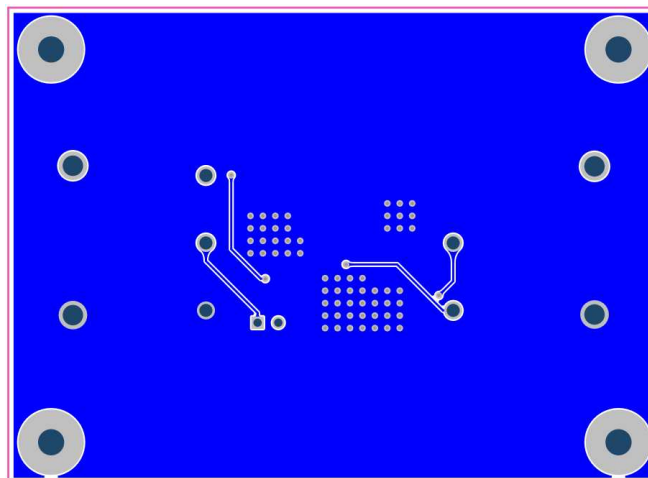


Figure 5. Bottom Layer

5 Bill of Materials

Table 2. LMR50410EVM Bill of Materials

DESIGNATOR	QUANTITY	VALUE	DESCRIPTION	PACKAGE REFERENCE	PART NUMBER	MANUFACTURER
C1, C2	2	4.7 μ F	CAP, CERM, 4.7 μ F, 50 V, \pm 10%, X7R, 1206	1206		
C3	1	0.1 μ F	CAP, CERM, 0.1 μ F, 50 V, \pm 10%, X7R, 0603	0603		
C4	1	0.1 μ F	CAP, CERM, 0.1 μ F, 25 V, \pm 10%, X7R, 0402	0402		
C5	1	22 pF	CAP, CERM, 22 pF, 50 V, \pm 5%, C0G/NP0, 0603	0603		
C6, C7	2	10 μ F	CAP, CERM, 10 μ F, 25 V, \pm 10%, X7R, 1206	1206		
C8	1	0.1 μ F	CAP, CERM, 0.1 μ F, 25 V, \pm 10%, X7R, 0603	0603		
JP1	1		Header, 100 mil, 2x1, Tin, TH	Header, 2 PIN, 100mil, Tin		
L1	1		10- μ H Shielded Molded Inductor 1.8-A 199 m Ω Max	5020	74437334100	Würth Electronics
R1	1	100 k	RES, 100 k, 1%, 0.1 W, AEC-Q200 Grade 0, 0603	0603		
R2	1	51	RES, 51, 5%, 0.1 W, AEC-Q200 Grade 0, 0603	0603		
R3	1	115 k	RES, 115 k, 1%, 0.1 W, 0603	0603		
R4	1	154 k	RES, 154 k, 1%, 0.1 W, AEC-Q200 Grade 0, 0603	0603		
R5	1	28.7 k	RES, 28.7 k, 1%, 0.1 W, AEC-Q200 Grade 0, 0603	0603		
TP1, TP2, TP3, TP4	4		Terminal, Turret, TH, Double	Keystone1502-2		
TP5, TP7	2		Test Point, Multipurpose, Red, TH	Red Multipurpose Testpoint		
TP6, TP8	2		Test Point, Multipurpose, Yellow, TH	Yellow Multipurpose Testpoint		
TP9	1		Test Point, Multipurpose, Black, TH	Black Multipurpose Testpoint		
U1	1		Synchronous step-down converter	SOT23-6	PLMR50410XDVBR	Texas Instruments

IMPORTANT NOTICE AND DISCLAIMER

TI PROVIDES TECHNICAL AND RELIABILITY DATA (INCLUDING DATA SHEETS), DESIGN RESOURCES (INCLUDING REFERENCE DESIGNS), APPLICATION OR OTHER DESIGN ADVICE, WEB TOOLS, SAFETY INFORMATION, AND OTHER RESOURCES "AS IS" AND WITH ALL FAULTS, AND DISCLAIMS ALL WARRANTIES, EXPRESS AND IMPLIED, INCLUDING WITHOUT LIMITATION ANY IMPLIED WARRANTIES OF MERCHANTABILITY, FITNESS FOR A PARTICULAR PURPOSE OR NON-INFRINGEMENT OF THIRD PARTY INTELLECTUAL PROPERTY RIGHTS.

These resources are intended for skilled developers designing with TI products. You are solely responsible for (1) selecting the appropriate TI products for your application, (2) designing, validating and testing your application, and (3) ensuring your application meets applicable standards, and any other safety, security, regulatory or other requirements.

These resources are subject to change without notice. TI grants you permission to use these resources only for development of an application that uses the TI products described in the resource. Other reproduction and display of these resources is prohibited. No license is granted to any other TI intellectual property right or to any third party intellectual property right. TI disclaims responsibility for, and you will fully indemnify TI and its representatives against, any claims, damages, costs, losses, and liabilities arising out of your use of these resources.

TI's products are provided subject to [TI's Terms of Sale](#) or other applicable terms available either on ti.com or provided in conjunction with such TI products. TI's provision of these resources does not expand or otherwise alter TI's applicable warranties or warranty disclaimers for TI products.

TI objects to and rejects any additional or different terms you may have proposed.

Mailing Address: Texas Instruments, Post Office Box 655303, Dallas, Texas 75265
Copyright © 2022, Texas Instruments Incorporated