

**ABSTRACT**

This user's guide describes the schematic, layout, bill of materials (BOM), and setup of the evaluation module (EVM) for the TPS61094EVM-066. It can supply the V_{out} to programmed target from 2.7 V~5.4 V with V_{in} low to 1.8 V. The TPS61094EVM-066 supports four operating modes with different jumpers configuration, including force bypass, true shutdown, force buck, and auto buck or Boost.

Table of Contents

1 Introduction	2
1.1 Performance Specification.....	2
1.2 Modification.....	2
2 Connector, Test Point and Jumper Descriptions	3
2.1 Connector and Test Point Descriptions.....	3
2.2 Jumper Configuration.....	3
3 Schematic, Bill of Materials, and Board Layout	5
3.1 Schematics.....	5
3.2 Bill of Materials.....	6
3.3 PCB Layouts.....	7

List of Figures

Figure 2-1. Boost Converter with Bypass.....	3
Figure 2-2. Boost Converter with Automatic Buck or Boost.....	4
Figure 3-1. TPS61094EVM-066 Schematic.....	5
Figure 3-2. TPS61094EVM-066 Top-Side Layout.....	7
Figure 3-3. TPS61094EVM-066 Inner Layer1 Layout.....	8
Figure 3-4. TPS61094EVM-066 Inner Layer2 Layout.....	9
Figure 3-5. TPS61094EVM-066 Bottom Side Layout.....	10

List of Tables

Table 1-1. Performance Specification Summary(Boost converter with bypass).....	2
Table 1-2. Performance Specification Summary (Boost converter with Automatic Buck or Boost).....	2
Table 2-1. Connectors and test Points.....	3
Table 2-2. Jumpers Configuration for Boost Converter with Bypass.....	4
Table 2-3. Jumpers Configuration for Boost Converter with Automatic Buck or Boost.....	4
Table 3-1. Bill of Materials.....	6

Trademarks

All trademarks are the property of their respective owners.

1 Introduction

1.1 Performance Specification

Table 1-1 and Table 1-2 provide a summary of the TPS61094EVM performance specifications. All specification are given for an ambient temperature of 25°C.

Table 1-1. Performance Specification Summary(Boost converter with bypass)

Parameter	Test Condition	MIN	TYP	MAX	Unit
Vin		0.7	3.3	5.5	V
Vout		2.7	3.6	5.4	V
Default Switching Frequency			1		MHz
Iout	Vin=3.3 V		500		mA

Table 1-2. Performance Specification Summary (Boost converter with Automatic Buck or Boost)

Parameter	Test Condition	MIN	TYP	MAX	Unit
Vin		0.7	5	5.5	V
Vout			3.3		V
Vsup target		1.7	2.6	5.4	V
Iout	IC Enabled, Vin=5 V, Vsup=2.6 V		250		mA

1.2 Modification

The printed-circuit board (PCB) for this EVM is designed to accommodate some modifications by the user. The external component can be changed according to the real application.

2 Connector, Test Point and Jumper Descriptions

This section describes how to properly connect, set up, and use the TPS61094EVM-066.

2.1 Connector and Test Point Descriptions

This EVM includes I/O connectors and test points as shown in [Table 2-1](#).

Table 2-1. Connectors and test Points

Reference Designator	Description
J1	Input voltage positive connection
J2	Input voltage positive and negative sense connection
J3	Vout positive connection
J4	Output voltage positive and negative sense connection
J5, J6, J9, J10	GND connection
J7	SUP port positive connection
J8	Sup port positive and negative sense connection

2.2 Jumper Configuration

The TPS61094EVM-066 can support different operating modes by the varied jumper combinations. And in this paper, it will show two typical application circuits.

One typical application circuit is the pure boost with bypass function, as shown in [Figure 2-1](#), which connects the SUP pin and VIN pin together. The jumper configuration for this application is shown in [Table 2-2](#).

The other typical application circuit is the supercap backup application, which separates the SUP pin and VIN pin, as shown in [Figure 2-2](#), which can charge supercap or boost supercap to power the output. The jumper configuration for this application is shown in [Table 2-3](#)

2.2.1 Boost Converter with Bypass

In this section, it shows how to set the EVM to support *Boost converter with bypass* application. The sketch schematic is shown in [Figure 2-1](#), while the jumper configuration is shown in [Table 2-2](#)

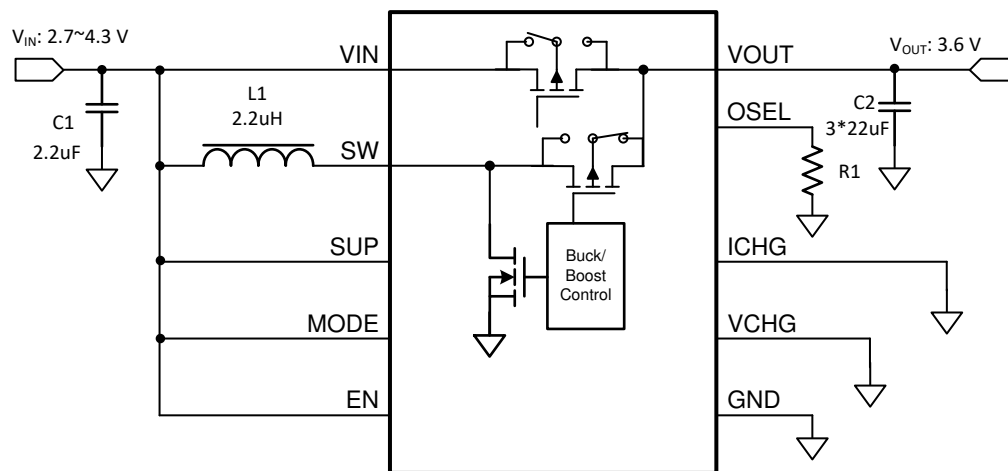


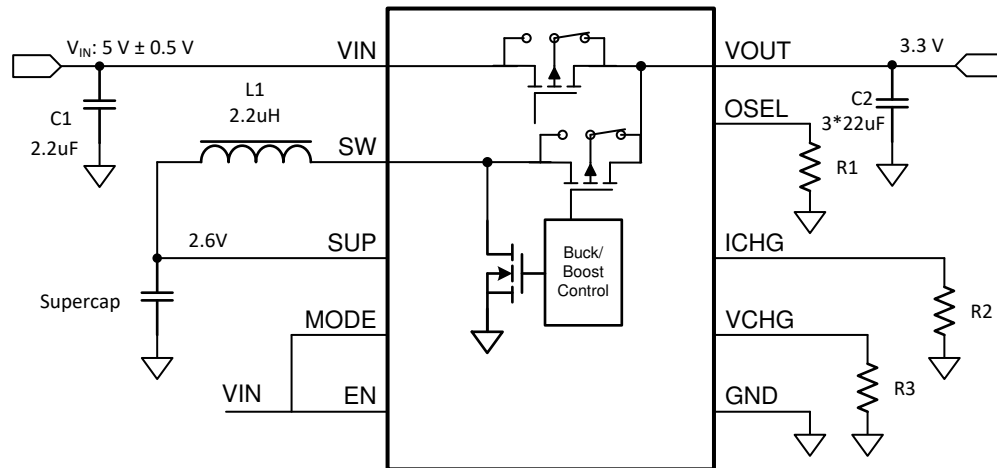
Figure 2-1. Boost Converter with Bypass

Table 2-2. Jumpers Configuration for Boost Converter with Bypass

Reference Designator	Description	Configuration
JP1 , JP2	Short 1-2 :connect the SUP pin to the Vin port Short 2-3: connect the SUP pin to the SUP port	Short 1-2
JP3	Sup termination voltage selection	-
JP4	Changing current selection	-
JP5	Output voltage target selection	At mark 3.6 V
J11, J12	Operating mode selection pin. The MODE pin and EN pin work together to set device operation mode.	Set High to select auto Buck or boost mode

2.2.2 Boost Converter with Automatic Buck or Boost Function

In this section, it shows the how to set the EVM support *Boost converter with automatic buck or boost* application. The sketch schematic is shown in [Figure 2-2](#), while the jumper configuration is shown in [Table 2-3](#)


Figure 2-2. Boost Converter with Automatic Buck or Boost
Table 2-3. Jumpers Configuration for Boost Converter with Automatic Buck or Boost

Reference Designator	Description	Configuration
JP1 , JP2	Short 1-2: connect the SUP pin to the Vin port Short 2-3: connect the SUP pin to the SUP port	Short 2-3
JP3	Sup termination voltage selection	At the mark 2.6 V
JP4	Changing current selection	At the mark 250 mA
JP5	Output voltage target selection	At mark 3.6 V
J11, J12	Operating mode selection pin. The MODE pin and EN pin work together to set device operation mode.	Set High to select auto Buck or boost mode

3 Schematic, Bill of Materials, and Board Layout

This section provides the TPS61094EVM-066 schematic, bill of materials (BOM), and board layout.

3.1 Schematics

Figure 3-1 shows the TPS61094EVM-066 schematic.

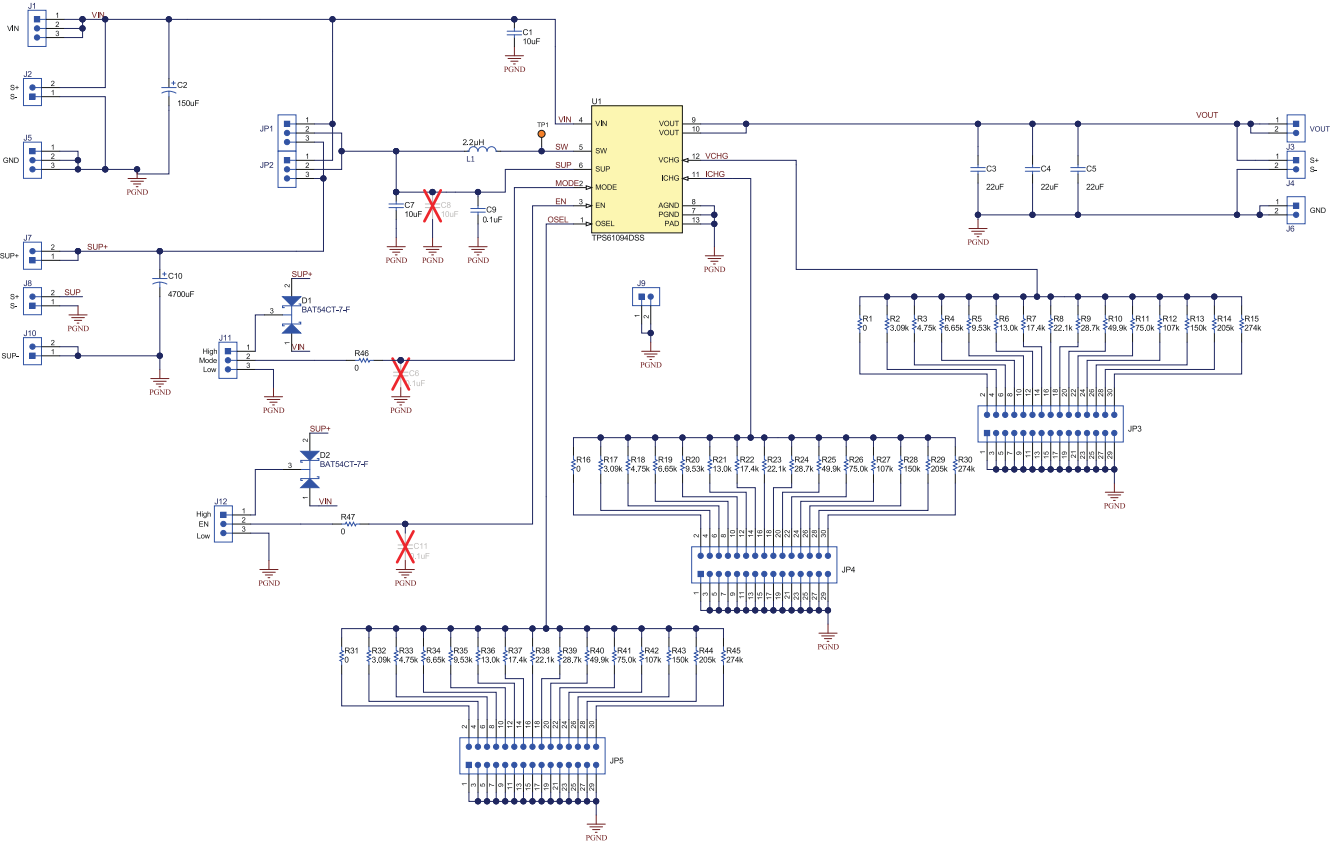


Figure 3-1. TPS61094EVM-066 Schematic

3.2 Bill of Materials

Table 3-1 lists the BOM of the TPS61094EVM-066.

Table 3-1. Bill of Materials

Designator	Qty	Value	Description	Package Reference	PartNumber	Manufacturer
C1, C7	2	10uF	CAP, CERM, 10 uF, 10 V, +/- 20%, X5R, 0603	0603	GRM188R61A106ME6 9D	MuRata
C2	1	150uF	CAP, TA, 150 uF, 10 V, +/- 10%, 0.1 ohm, SMD	7343-31	T495D157K010ATE10 0	Kemet
C3, C4, C5	3	22uF	CAP, CERM, 22 uF, 10 V, +/- 20%, X5R, 0805	0805	GRM21BR61A226ME4 4L	MuRata
C9	1	0.1uF	CAP, CERM, 0.1 uF, 50 V, +/- 10%, X7R, AEC-Q200 Grade 1, 0402	0402	CGA2B3X7R1H104K0 50BB	TDK
C10	1	4700uF	CAP, AL, 4700 uF, 6.3 V, +/- 20%, 0.015 ohm, TH	12.5x25mm	EEUFR0J472	Panasonic
D1, D2	2	30 V	Diode, Schottky, 30 V, 0.2 A, SOT-523	SOT-523	BAT54CT-7-F	Diodes Inc.
J1, J5, J11, J12	4		Header, 100mil, 3x1, Tin, TH	Header, 3 PIN, 100mil, Tin	PEC03SAAN	Sullins Connector Solutions
J2, J3, J4, J6, J7, J8, J9, J10	8		Header, 100mil, 2x1, Gold, TH	Header, 100mil, 2x1, TH	HTSW-102-07-G-S	Samtec
JP1, JP2	2		Header, 100mil, 3x1, Gold, TH	Header, 100mil, 3x1, TH	HTSW-103-07-G-S	Samtec
JP3, JP4, JP5	3		Conn Unshrouded Header HDR 30 POS 2.54mm Solder ST Thru-Hole	HDR30	HMTSW-115-07-G-D-240	Samtec
L1	1		Shielded Power Inductors	SMT_4MM0_4MM0	XGL4020-222MEC	Coilcraft
R1, R16, R31, R46, R47	5	0	RES, 0, 5%, 0.063 W, 0402	0402	RC0402JR-070RL	Yageo America
R2, R17, R32	3	3.09k	RES, 3.09 k, 1%, 0.063 W, AEC-Q200 Grade 0, 0402	0402	CRCW04023K09FKED	Vishay-Dale
R3, R18, R33	3	4.75k	RES, 4.75 k, 1%, 0.063 W, AEC-Q200 Grade 0, 0402	0402	CRCW04024K75FKED	Vishay-Dale
R4, R19, R34	3	6.65k	RES, 6.65 k, 1%, 0.063 W, AEC-Q200 Grade 0, 0402	0402	CRCW04026K65FKED	Vishay-Dale
R5, R20, R35	3	9.53k	RES, 9.53 k, 1%, 0.063 W, AEC-Q200 Grade 0, 0402	0402	CRCW04029K53FKED	Vishay-Dale
R6, R21, R36	3	13.0k	RES, 13.0 k, 1%, 0.063 W, AEC-Q200 Grade 0, 0402	0402	CRCW040213K0FKED	Vishay-Dale
R7, R22, R37	3	17.4k	RES, 17.4 k, 1%, 0.063 W, AEC-Q200 Grade 0, 0402	0402	CRCW040217K4FKED	Vishay-Dale
R8, R23, R38	3	22.1k	RES, 22.1 k, 1%, 0.063 W, AEC-Q200 Grade 0, 0402	0402	CRCW040222K1FKED	Vishay-Dale
R9, R24, R39	3	28.7k	RES, 28.7 k, 1%, 0.063 W, AEC-Q200 Grade 0, 0402	0402	CRCW040228K7FKED	Vishay-Dale
R10, R25, R40	3	49.9k	RES, 49.9 k, 1%, 0.063 W, AEC-Q200 Grade 0, 0402	0402	CRCW040249K9FKED	Vishay-Dale
R11, R26, R41	3	75.0k	RES, 75.0 k, 1%, 0.063 W, AEC-Q200 Grade 0, 0402	0402	CRCW040275K0FKED	Vishay-Dale
R12, R27, R42	3	107k	RES, 107 k, 1%, 0.063 W, AEC-Q200 Grade 0, 0402	0402	CRCW0402107KFKED	Vishay-Dale
R13, R28, R43	3	150k	RES, 150 k, 1%, 0.063 W, AEC-Q200 Grade 0, 0402	0402	CRCW0402150KFKED	Vishay-Dale
R14, R29, R44	3	205k	RES, 205 k, 1%, 0.063 W, AEC-Q200 Grade 0, 0402	0402	CRCW0402205KFKED	Vishay-Dale

Table 3-1. Bill of Materials (continued)

Designator	Qty	Value	Description	Package Reference	PartNumber	Manufacturer
R15, R30, R45	3	274k	RES, 274 k, 1%, 0.063 W, AEC-Q200 Grade 0, 0402	0402	CRCW0402274KFKED	Vishay-Dale
TP1	1		Test Point, Miniature, Orange, TH	Orange Miniature Testpoint	5003	Keystone
U1	1		100-nA QUIESCENT CURRENT BI-DIRECTIONAL BUCK/BOOST CONVERTER WITH BYPASS MODE, DSS0012B (WSON-12)	DSS0012B	TPS61094DSS	Texas Instruments
C6, C11	0	0.1uF	CAP, CERM, 0.1 uF, 50 V, +/- 10%, X7R, AEC-Q200 Grade 1, 0402	0402	CGA2B3X7R1H104K050BB	TDK
C8	0	10uF	CAP, CERM, 10 uF, 10 V, +/- 20%, X5R, 0603	0603	GRM188R61A106ME69D	MuRata

3.3 PCB Layouts

The TPS61094EVM board is a 4-layer PCB. The top and bottom layers copper thickness is 2-oz. The two inner layers copper thickness is 1-oz. Figure 3-2 and Figure 3-5 show the top view and bottom view, respectively. Figure 3-3 and Figure 3-4 show the inner layer 1 and inner layer 2, respectively.

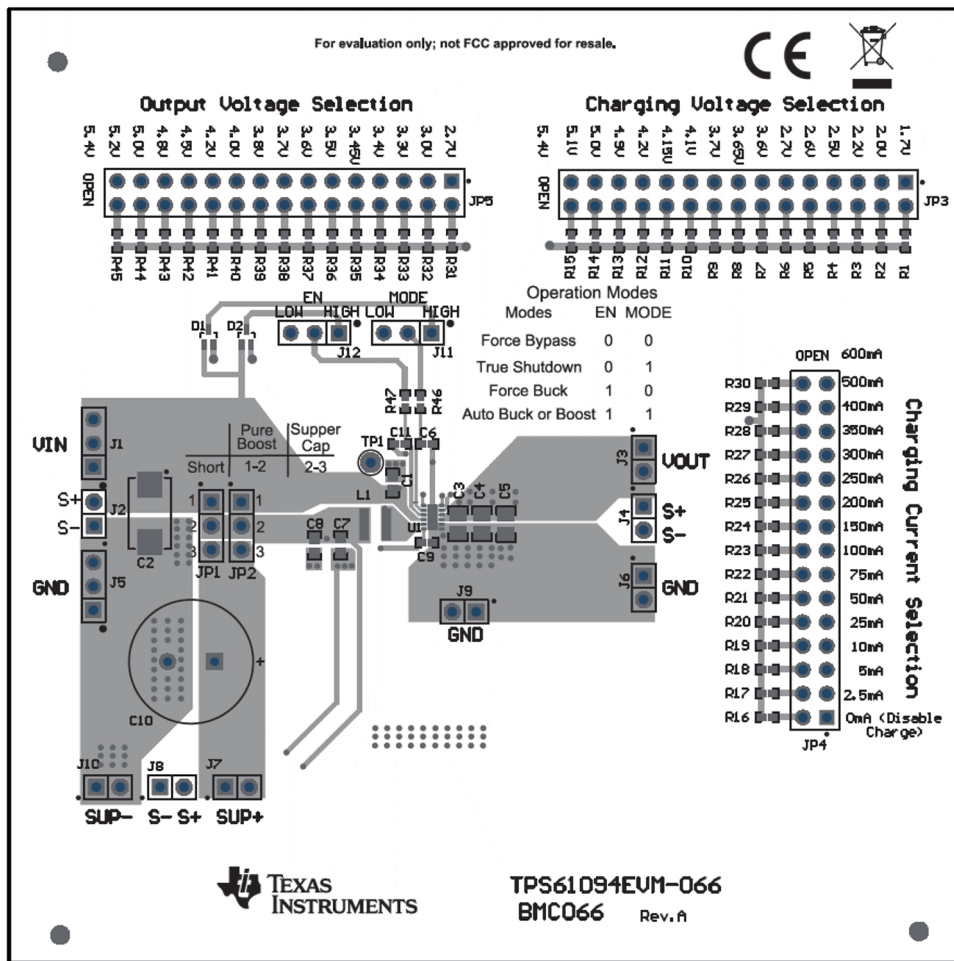


Figure 3-2. TPS61094EVM-066 Top-Side Layout

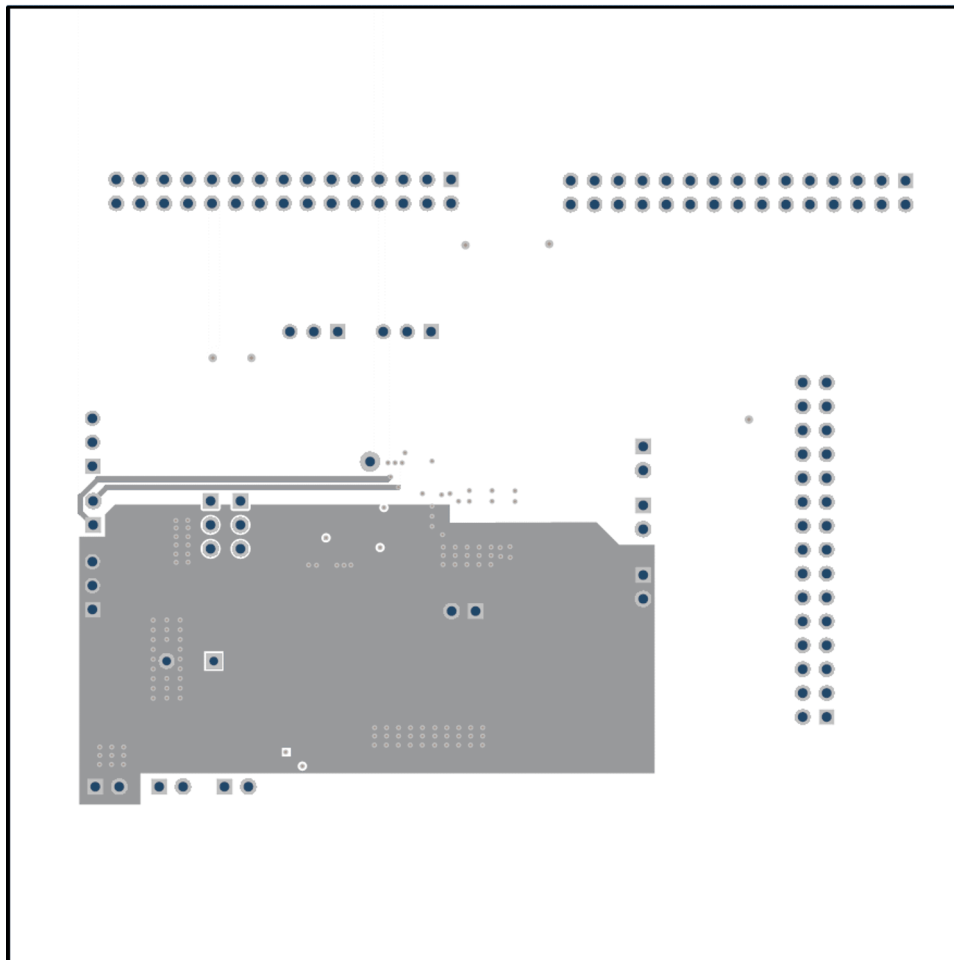


Figure 3-3. TPS61094EVM-066 Inner Layer1 Layout

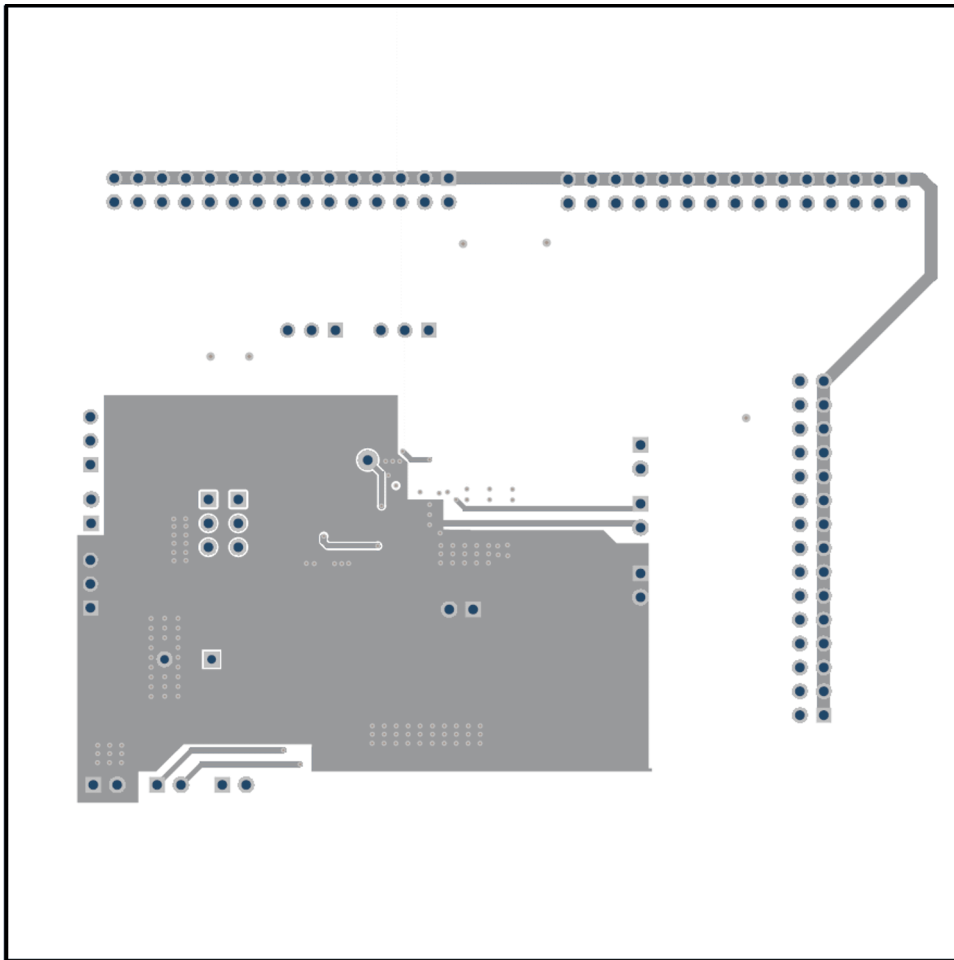


Figure 3-4. TPS61094EVM-066 Inner Layer2 Layout

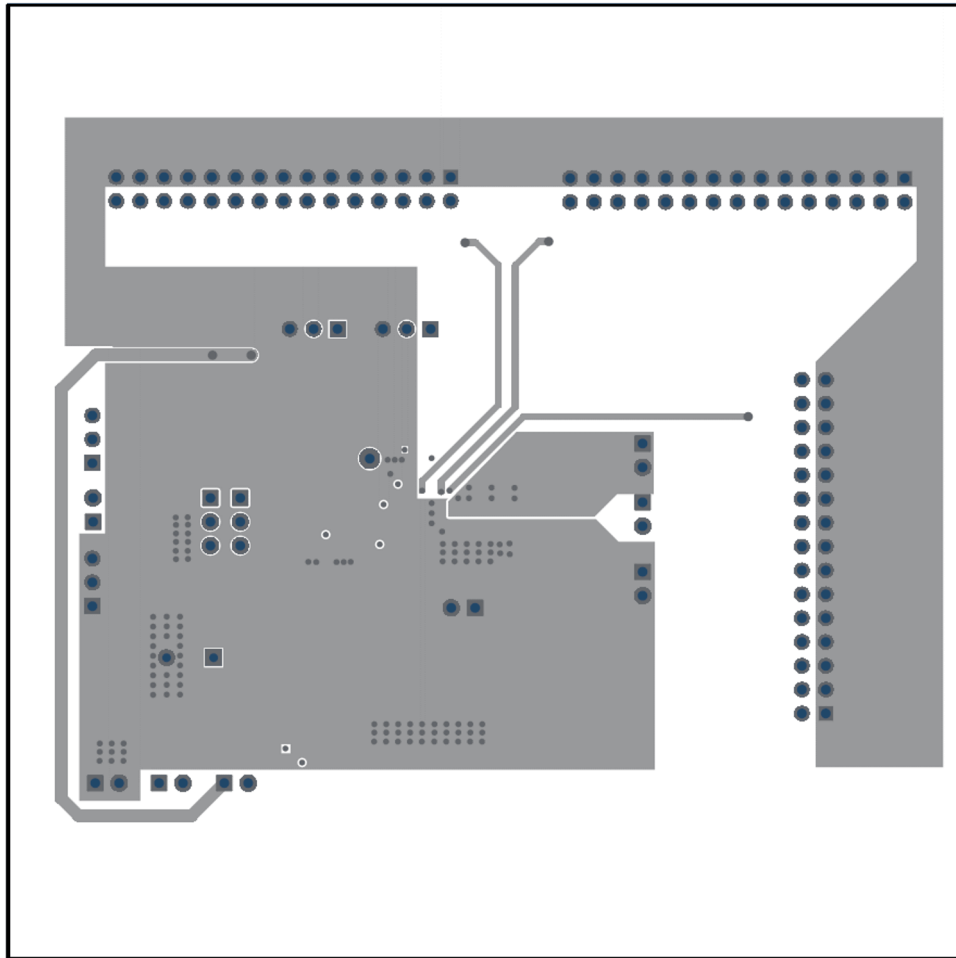


Figure 3-5. TPS61094EVM-066 Bottom Side Layout

IMPORTANT NOTICE AND DISCLAIMER

TI PROVIDES TECHNICAL AND RELIABILITY DATA (INCLUDING DATA SHEETS), DESIGN RESOURCES (INCLUDING REFERENCE DESIGNS), APPLICATION OR OTHER DESIGN ADVICE, WEB TOOLS, SAFETY INFORMATION, AND OTHER RESOURCES "AS IS" AND WITH ALL FAULTS, AND DISCLAIMS ALL WARRANTIES, EXPRESS AND IMPLIED, INCLUDING WITHOUT LIMITATION ANY IMPLIED WARRANTIES OF MERCHANTABILITY, FITNESS FOR A PARTICULAR PURPOSE OR NON-INFRINGEMENT OF THIRD PARTY INTELLECTUAL PROPERTY RIGHTS.

These resources are intended for skilled developers designing with TI products. You are solely responsible for (1) selecting the appropriate TI products for your application, (2) designing, validating and testing your application, and (3) ensuring your application meets applicable standards, and any other safety, security, regulatory or other requirements.

These resources are subject to change without notice. TI grants you permission to use these resources only for development of an application that uses the TI products described in the resource. Other reproduction and display of these resources is prohibited. No license is granted to any other TI intellectual property right or to any third party intellectual property right. TI disclaims responsibility for, and you will fully indemnify TI and its representatives against, any claims, damages, costs, losses, and liabilities arising out of your use of these resources.

TI's products are provided subject to [TI's Terms of Sale](#) or other applicable terms available either on ti.com or provided in conjunction with such TI products. TI's provision of these resources does not expand or otherwise alter TI's applicable warranties or warranty disclaimers for TI products.

TI objects to and rejects any additional or different terms you may have proposed.

Mailing Address: Texas Instruments, Post Office Box 655303, Dallas, Texas 75265
Copyright © 2022, Texas Instruments Incorporated