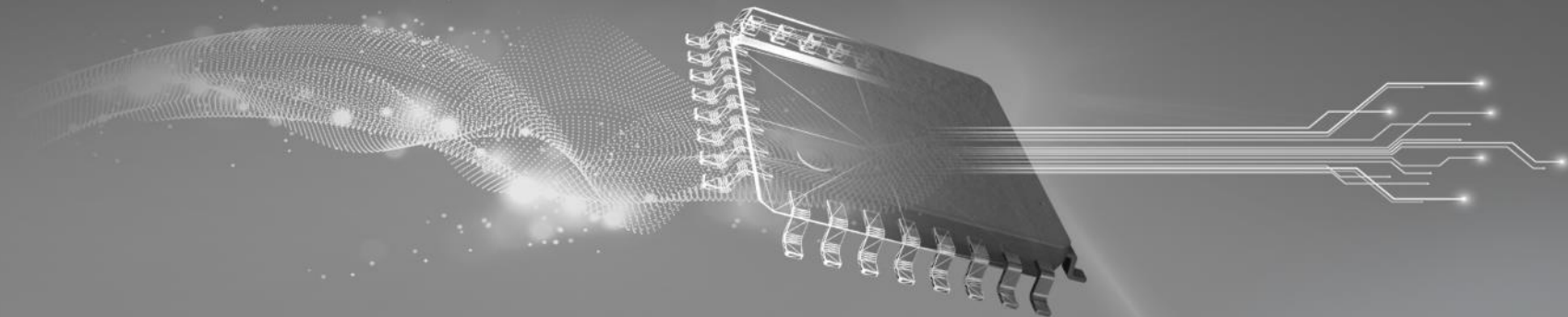


TI TECH DAYS



USB Type-C[®] and USB Type-C[®] PD

Adam McGaffin

APP-PSIL-PI

Agenda

Introduction to USB Type-C® and Power Delivery

USB Type-C® PD battery charging reference designs

Portfolio walkthrough and value propositions

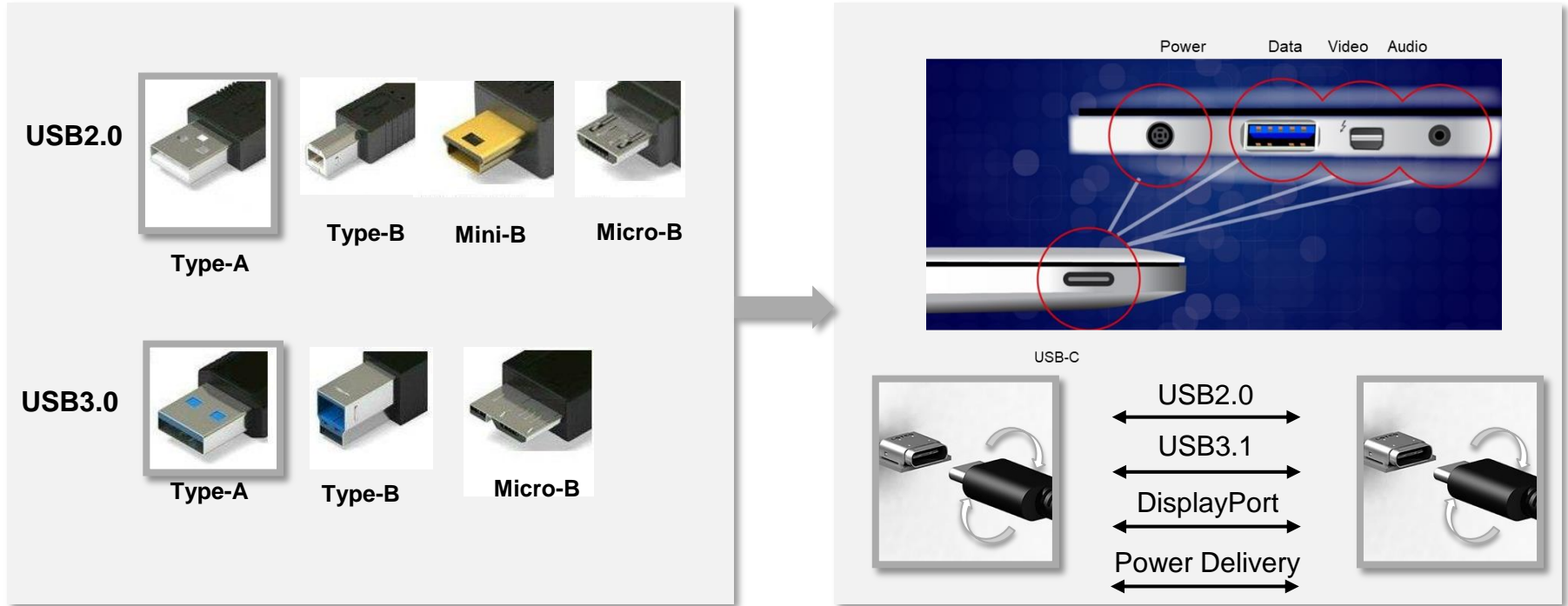
Agenda

Introduction to USB Type-C® and Power Delivery

USB Type-C® PD battery charging reference designs

Portfolio walkthrough and value propositions

The USB connectors



USB Type-C®/PD technology overview



What is Type-C® /PD

USB-C/PD (Power Delivery) is a wide-spread interface that is scalable for power & signaling. It is a specification for a reversible-plug connector for USB devices and cabling.

When to use Type-C® /PD

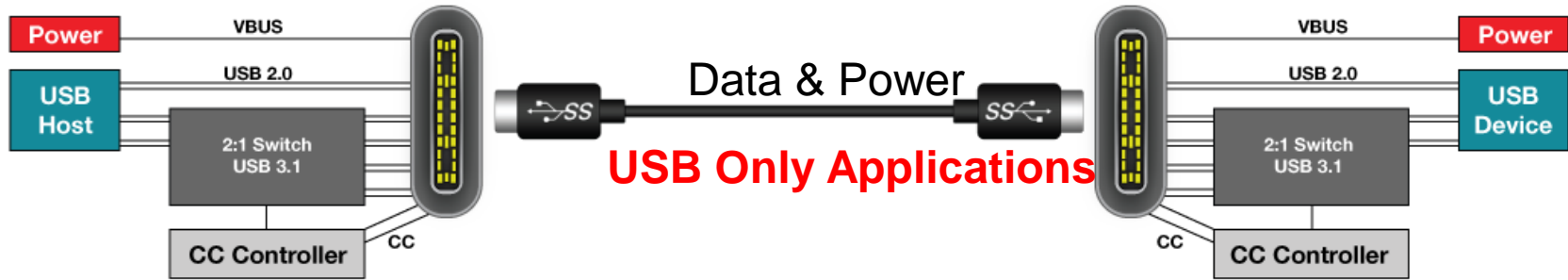


Why Now?

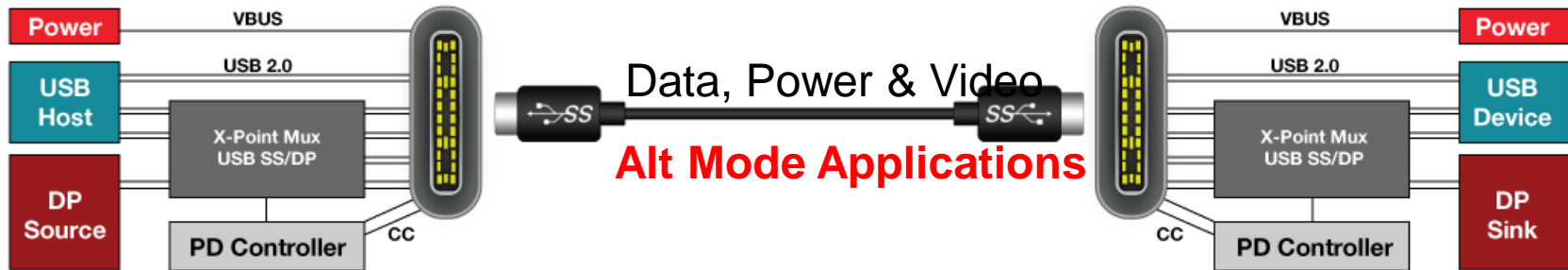
- A single USB Type-C® connector can deliver functions that several connectors provide today in our electronic gadgets.
- Standard USB Type-C® now offer more than twice of existing BC1.2 power and USB Type-C® PD now offer up to 100 W of power.
- Supports increased demand of video and high data rates through alternate modes.

USB Type-C[®] is a physical interface

Supports USB 2.0 or USB 3.1 or DisplayPort video or other protocols



USB Type-C[®] is a connector/cable interface, not a new speed
USB2, USB3.1 and Alt Mode function (DP video) can co-exist



USB power supply options

Mode of Operation	Nominal Voltage	Maximum Current	Notes
USB 2.0	5 V	500 mA	2.5 W
USB 3.1	5 V	900 mA	4.5 W
USB BC 1.2	5 V	Up to 1.5 A	Up to 7.5 W
USB Type-C	5 V	1.5 A	7.5 W
USB Type-C	5 V	3 A	15 W
USB PD	Configurable up to 20 V	Configurable up to 5 A	Up to 100 W, directional control and power level, management



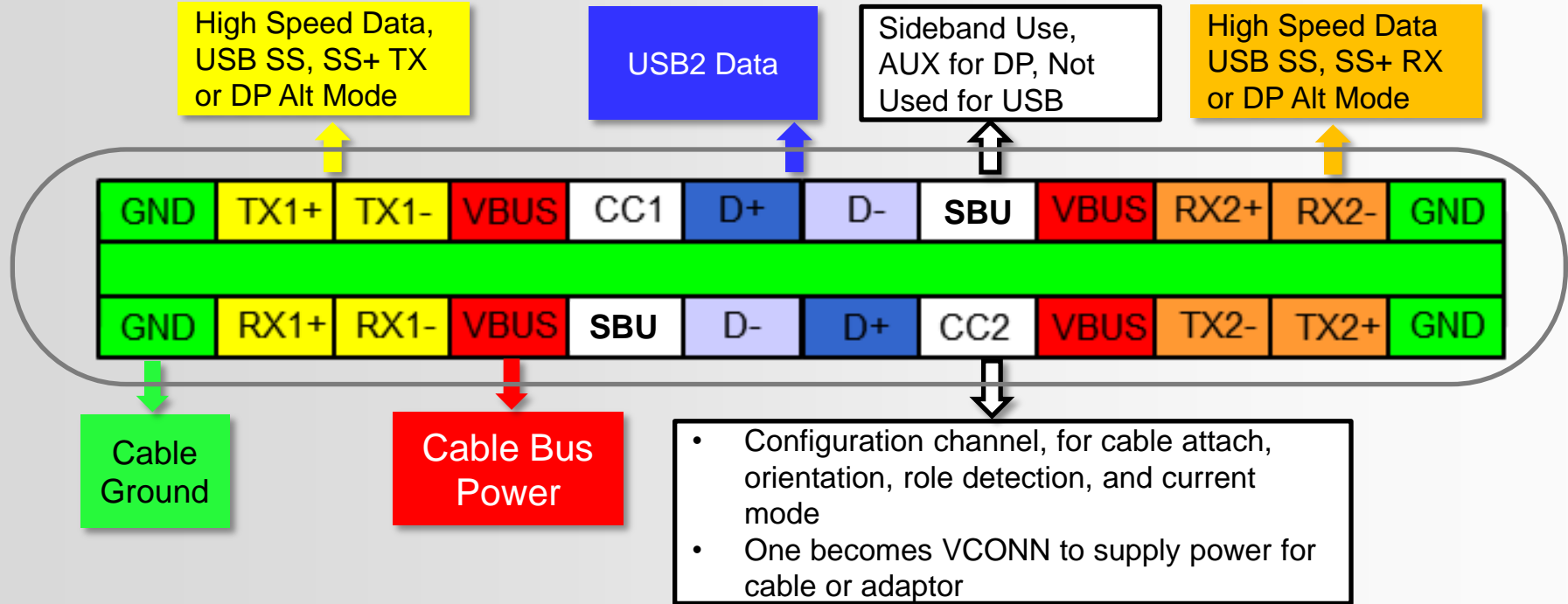
USB speed options

USB Type	Speed (Gb/s)
USB 2.0	0.480
USB 3.1 Gen 1	5
USB 3.1 Gen 2	10
USB 3.2 Gen 2x2	20
Type-C® PD2 with AM (TBT2)	20
Type-C® PD3 with AM (TBT3/USB4)	40

USB Type-C® flippable receptacle intro



Note: Determining the plug's polarity is only necessary if USB SS or DP Alt Mode is used

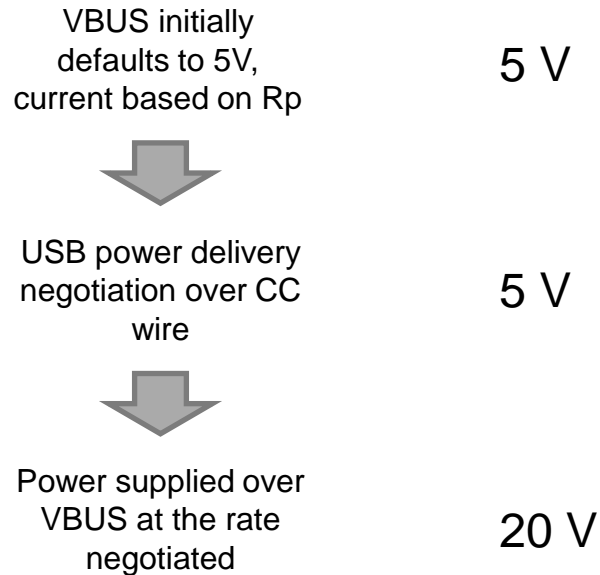


USB Type-C® Power Delivery (PD) features

Why use USB PD?

- Enables higher voltage, up to 20 V
 - 5 V, 9 V, 15 V and 20 V satisfy most customer needs
- Up to 100 W power over USB cable
- Which port provides power is negotiable:
 - DFP can be provider or consumer
 - UFP can be provider or consumer
- Efficient power management across multiple peripherals
- Determine capabilities of the connected device
- Co-existence with legacy USB products
- Enables alternate modes

Typical PD Flow

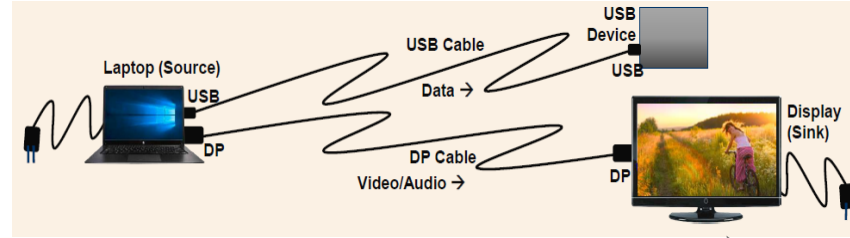


← Not related to power, but USB PD required

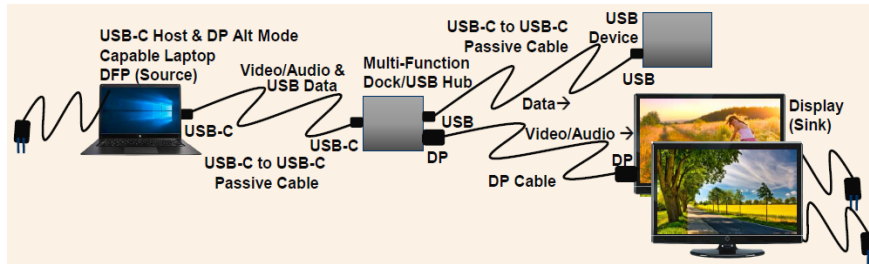
USB Type-C® Alternate Modes – what is it?

Example Display Port

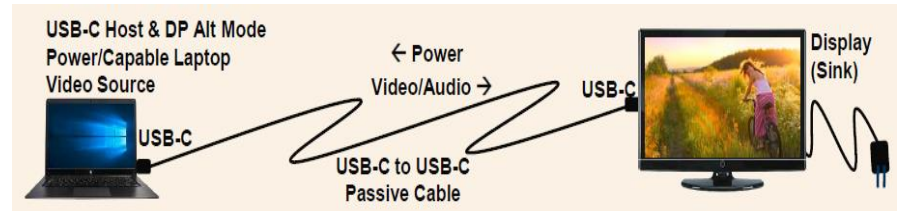
Traditional Mode of Operation



New USB-C Mode of Operation (Video/Data)

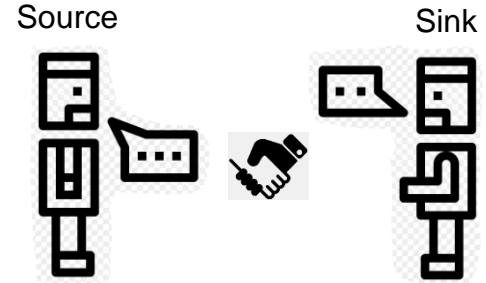


New USB-C Mode of Operation (Video/Power)

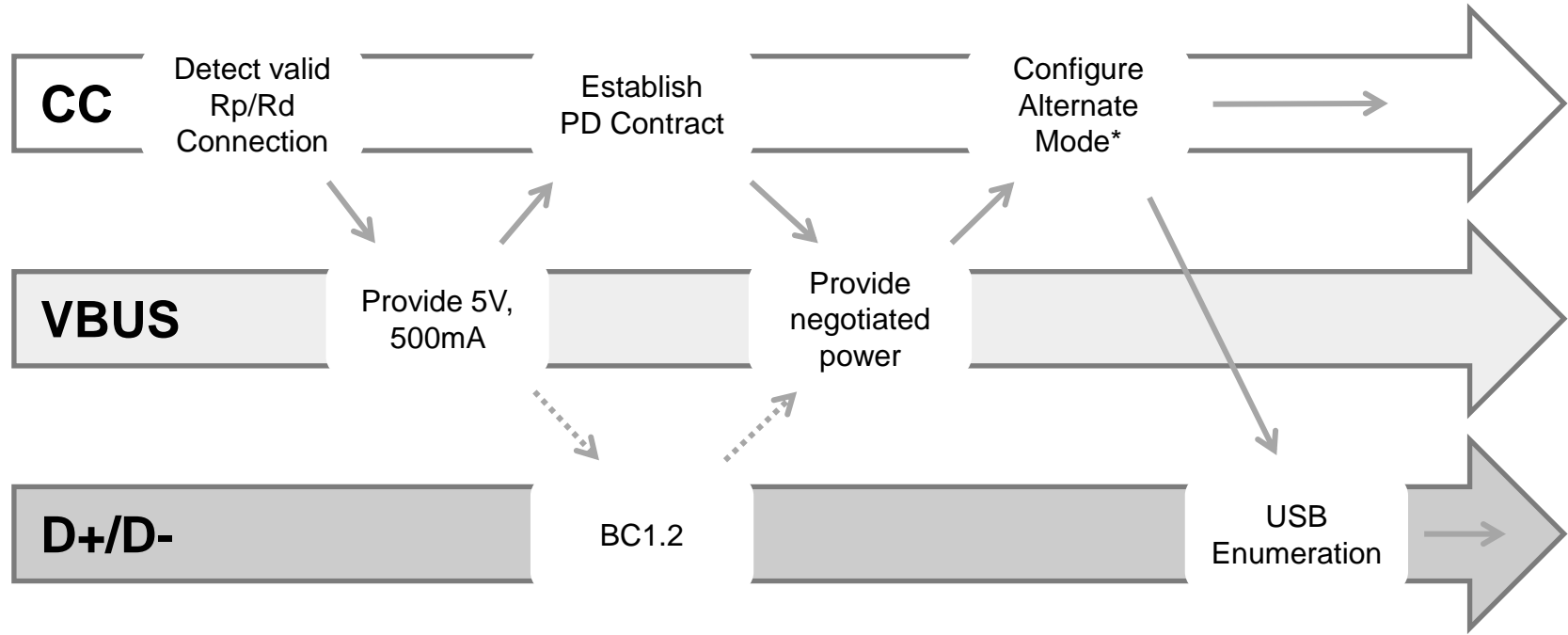


How it works

- Negotiating power is simple and robust
 - Source sends its capabilities
 - Sink makes a Request
 - Source Accepts and send PS_Ready
- What happens when Sink needs more power?
 - Sink can indicate it needs more power (cause Capability Mismatch)
 - Source reads Sink's capabilities to determine how much it needs to function
- Additional information between Source and Sink can be exchanged through Extended Capabilities
 - Source supports extended overload peak current
 - Sink load characteristics
- Status provides real-time operational information



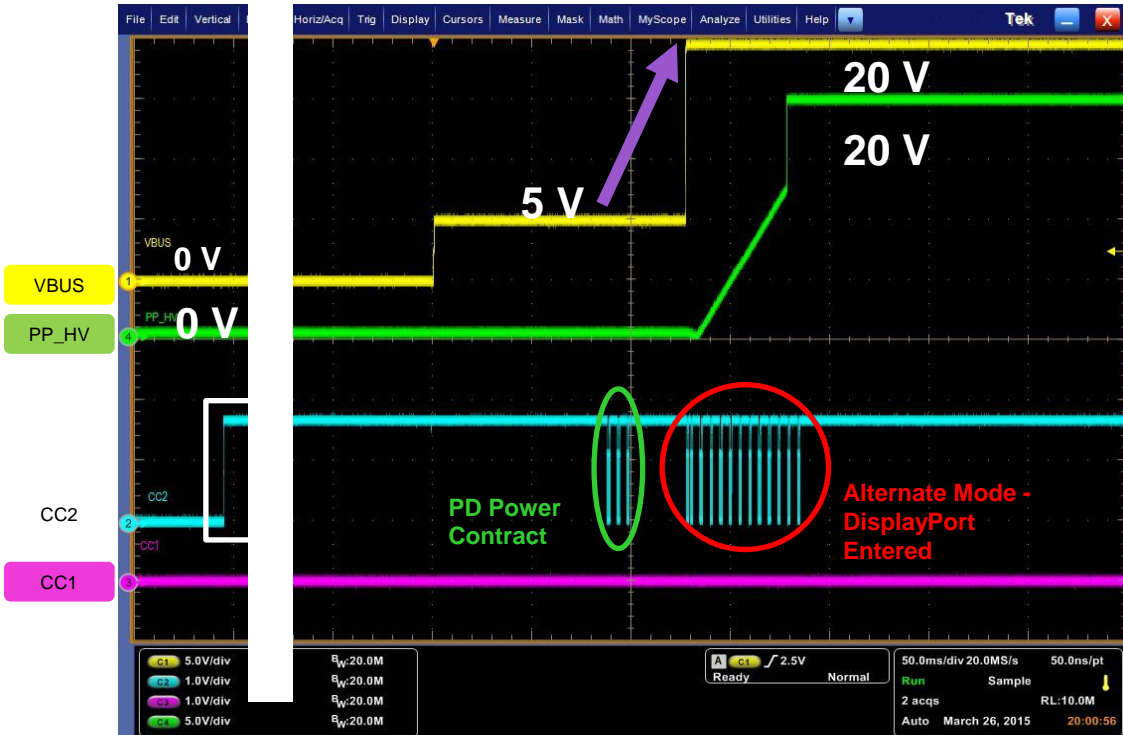
Startup sequence for USB Type-C® and PD



* For non PD applications, miss configure alternate mode step

USB Type-C® PD Alternate Mode negotiation

Scope Trace between a Dock and Notebook establishing a USB PD Contract



USB Power Delivery Analyzer with PD Controller Firmware
(A Dock acting as a DFP/Source & Notebook acting as the UFP/Sink)

Source Capabilities (Fixed 5V 3A, Fixed 20V 3A)		OUT
➔	Source Capabilities packet (Fixed 5V 3A, Fixed 20V 3A)	OUT
✓	GoodCRC packet	IN
⊖	Request (Object 2 = Fixed 20V 3A, Requested 3A, Maximum 3A) > Accepted	IN
⊕	Request (Object 2 = Fixed 20V 3A, Requested 3A, Maximum 3A)	IN
⊕	Accept	OUT
➔	PsRdy	OUT
➔	PsRdy packet	OUT
✓	GoodCRC packet	IN
⊖	Discover Identity > Ack (Undefined)	OUT
⊕	Discover Identity	OUT
⊕	Discover Identity Ack (Undefined)	IN
⊖	Discover SVIDs > Ack (0xFF01)	OUT
⊕	Discover SVIDs	OUT
⊕	Discover SVIDs Ack (0xFF01)	IN
⊖	Discover Modes (SVID = 0xFF01) > Ack (0x001C0045)	OUT
⊕	Discover Modes (SVID = 0xFF01)	OUT
⊕	Discover Modes (SVID = 0xFF01) Ack (0x001C0045)	IN
⊖	Enter Mode (SVID = 0xFF01, Mode = 1) > Ack	OUT
⊕	Enter Mode (SVID = 0xFF01, Mode = 1)	OUT
⊕	Enter Mode (SVID = 0xFF01, Mode = 1) Ack	IN
⊖	SVID Specific Command (0x10) > Ack	OUT
⊕	SVID Specific Command (0x10)	OUT
⊕	SVID Specific Command (0x10) Ack	IN
⊖	SVID Specific Command (0x11) > Ack	OUT
⊕	SVID Specific Command (0x11)	OUT
⊕	SVID Specific Command (0x11) Ack	IN

Agenda

Introduction to USB Type-C® and Power Delivery

USB Type-C® PD battery charging reference designs

Portfolio walkthrough and value propositions

USB Type-C® PD market adoption



Avionics

- Faster charge for passenger devices
- Display video from passenger devices



Power Tools

- Remove need for proprietary battery chargers
- Offer dual role power to use power tool batteries like a power bank



Barrel jack replacement

- Remove proprietary barrel jack power connectors/chargers
- Aim to not have to include power adapter with products (reduce e-waste)



Battery powered devices

- Remove need for multiple connectors
- Source (provide) and sink (consume) power using the same USB-C connector



Wall plugs

- Charge larger electronics such as tablets and laptops



Speakers

- Support a standardized charging connector
- Enable charging of downstream devices
- Use speaker like a power bank



Medical

- Reduce connector count
- Transmit data & power on the same port



Point of sales

- Reduce connector count
- Transmit data & power on the same port

TI's battery charger solutions *

Features	BQ25790/BQ25792	BQ25730/731
Input Voltage/Battery configuration	3.6V – 24V/ 1-4S	3.5V – 26V/ 1-5S
Charging Current	Up to 5A	Up to 16.2A
Integrated ADC	Yes 16 Bit	Yes 8 Bit
Package	CSP (2.9mm x 3.3mm) and QFN (4mm x 4mm) Package Available	QFN (4mm x 4mm) Package Available
Power Path	Yes	Yes (BQ25730 Only)

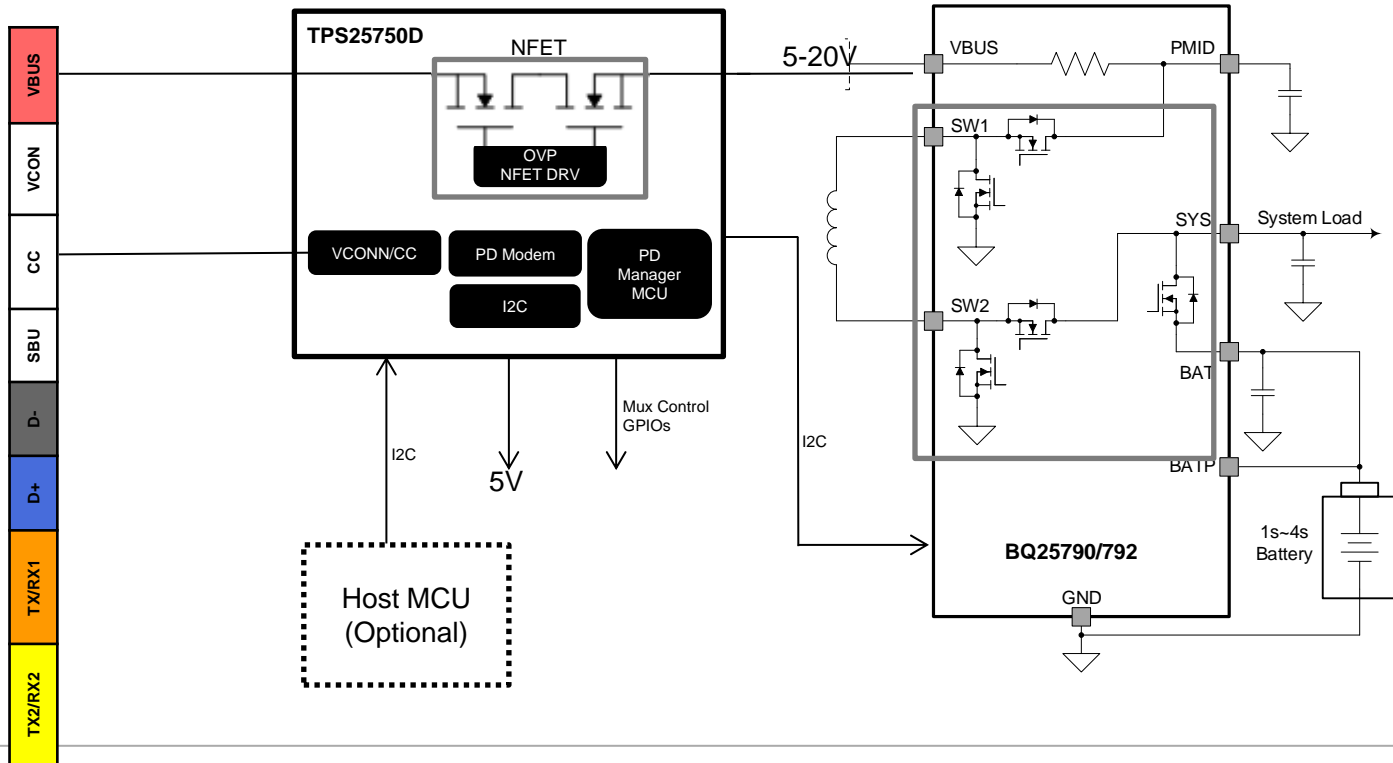
TI's USB C PD controller solutions *

Features	TPS25750S	TPS25750D
Power Roles	Source/Sink or Sink Only	Source/Sink or Sink Only
Integrated Power Path	5V source only + external NFET control	5V source only + HV bi-directional
Control Mode	I2C/GPIO	I2C/GPIO
Package	QFN (4mm x 4mm)	QFN (4mm x 6mm)

* TI has more battery charger and USB C PD solutions. These are just highlighted within our charging reference designs

Low power optimized charging solution for 1-4S battery

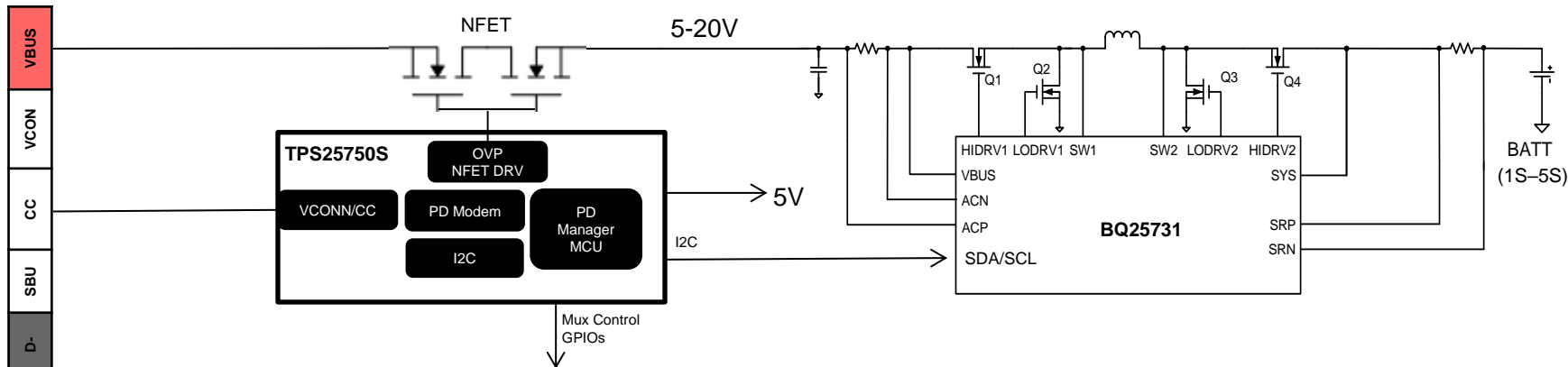
USB-C Port



- Options 45W, 27W, & 15W Source and Sink settings
- Options to select preferred power role and preferred data role
- I2C Master control for BQ25790/792 only
- 1-4S Li-ion charging from 5-20V input
- I2C Pass-through option so Host MCU can communicate with Charger through PD Controller
- **Total integrated solution to reduce BOM material and solution size**

High power optimized charging solution for 1-5S battery

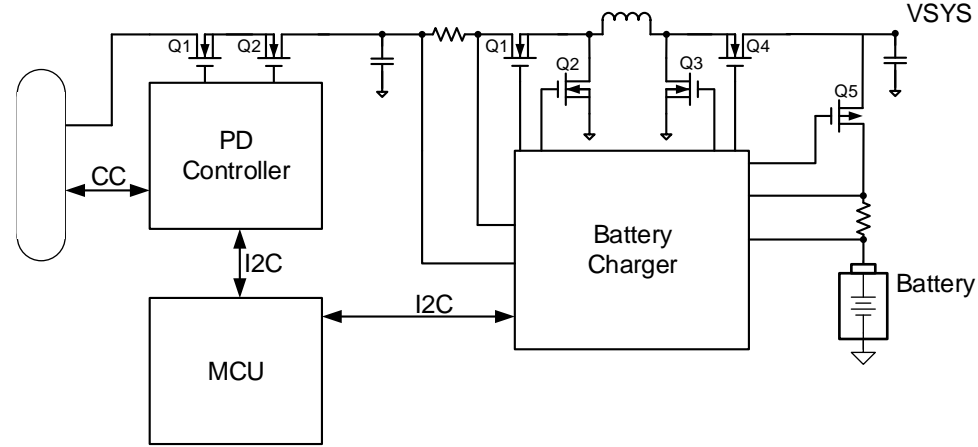
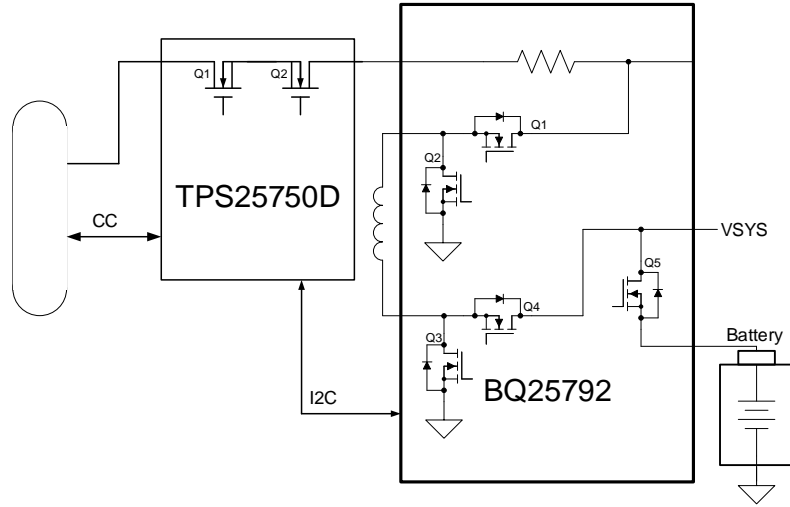
USB-C Port



Optimized Power Source/Sink Design for 1-5S Battery Charging

- Options for **100W, 60W**, 45W, 27W, & 15W Source and Sink settings
- Options to select preferred power role and preferred data role
- I2C Master control for BQ25731 only, no MCU required
- 1-5S Li-ion charging from 5-20V input
- High power solution to charge up to 100W

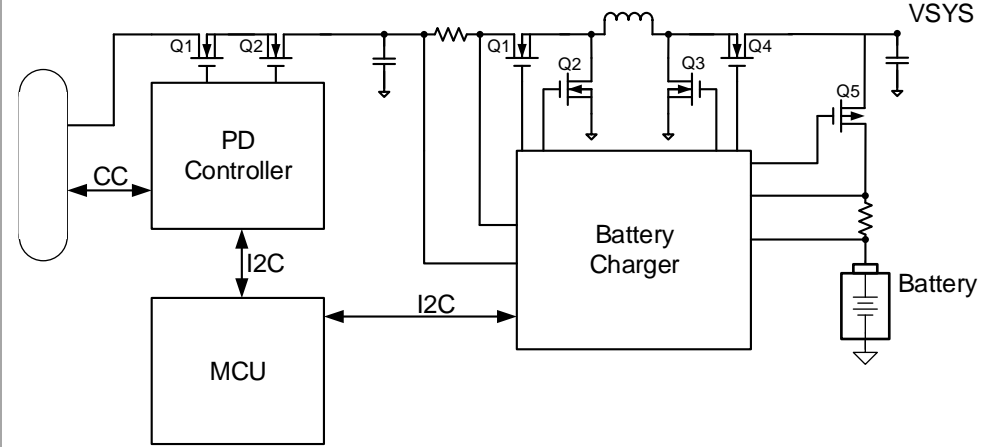
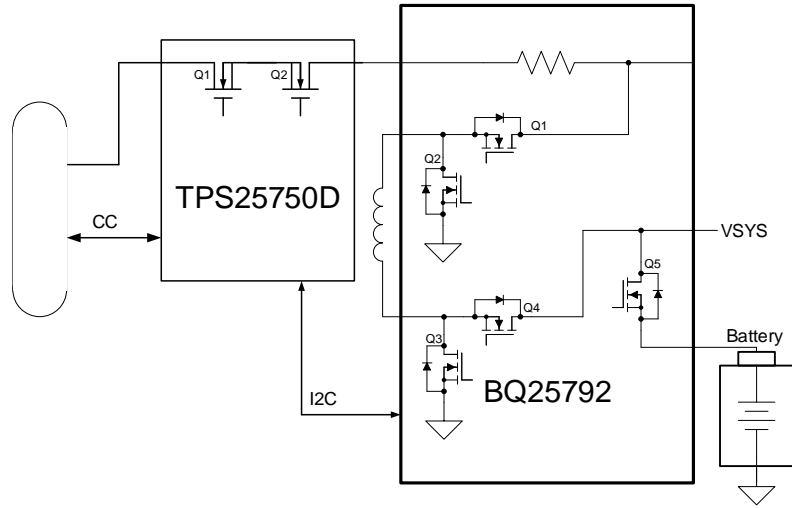
Integrated vs. non-integrated solution



- Simple to use, two-chip solution:
 - No need for external FETs (7 total system FETs integrated)
 - Smallest total solution size (~50mm² typ.)
- No need for external MCU:
 - PD Controller is I2C Master for Battery Charger
- Configured using simple web-based GUI tool:
 - No need to write any MCU or PD controller code

- Complex, multi-chip solution:
 - Total of 7 external FETs needed for USB-C charging solution
 - Large total solution size (~110mm² typ.)
- External MCU required:
 - MCU required to interface with PD controller and write to Battery charger. → Customer needs to develop MCU code

Integrated vs. non-integrated solution cont.



[More Information](#)

Agenda

Introduction to USB Type-C® and Power Delivery

USB Type-C® PD battery charging reference designs

Portfolio walkthrough and value propositions

Broad portfolio of TI's USB products


USB Type-A, BC1.2

Products

- TPS2547
- TPS2513A/14A
- TPS2549

Winning Application

- Laptop/PC
- Powerbank
- Wall Charger
- Car charger




**Standard Type-C
15W Max, USB Data**

Products

- TPS25810
- TPS25820
- TPD2S300 (CC OVP)

Winning Applications

- Set-Top Box
- Laptop/PC
- Powerbank
- Wall Charger
- Car charger




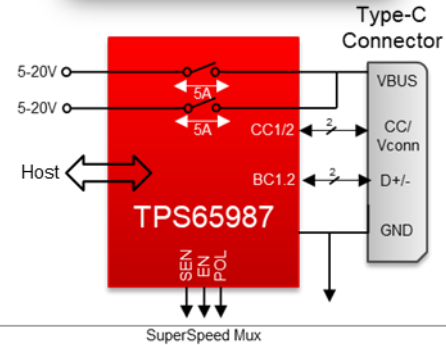
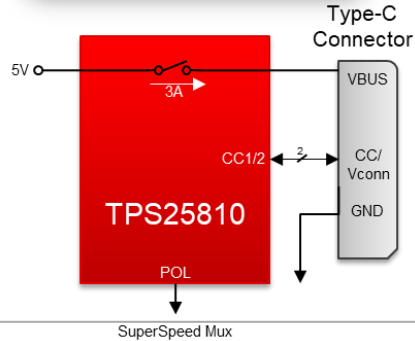
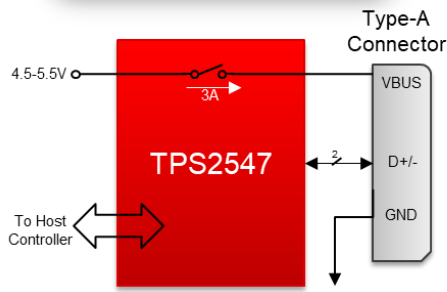
**Type-C & Full PD
Power + Data/Video**

Products

- TPS65987DH/TPS65988
- TPS25750
- TPD6S300A (CC/SBU OVP)

Winning Application

- Laptop/PC
- Monitor
- Tablet
- Dock/Dongle
- Infotainment

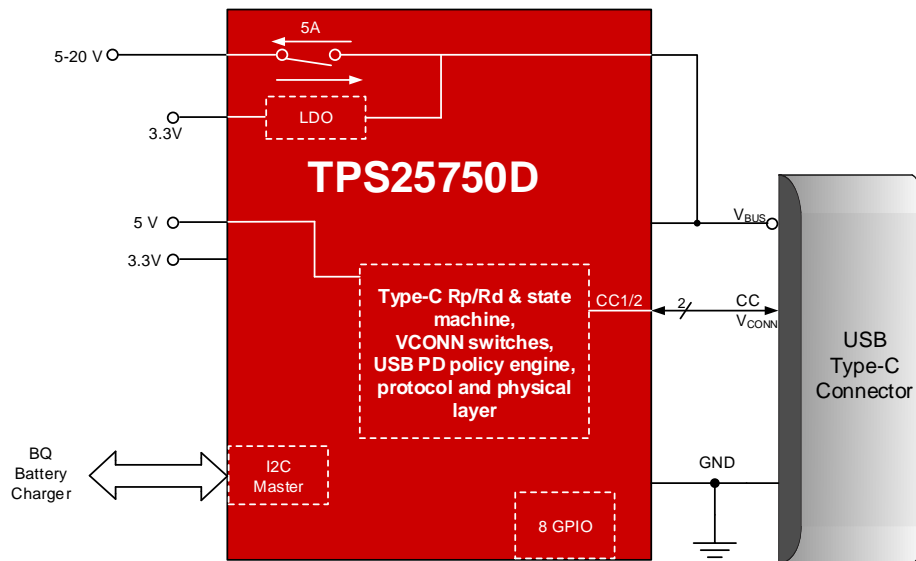
TPS25750D | Single USB Type-C® DRP USB-PD Controller

Features

- Controls One USB Type-C® Power Delivery port
- **Integrated 5 A 18m Ω bidirectional power path**
- **Integrate 5 V Source power path**
- Configurable as Source/Sink or Sink Only power roles
- Configurable data role and power role preference
- Comprehensive power path management
- **Comprehensive power path protection**
- **I2C Control for BQ257xx device**
- GPIOs for external USB3 mux and fault detection
- Dead-battery Rd
- 4x6 QFN (0.4mm pitch)
- External I2C EEPROM required to store configuration data
- **Configuration options selected via “Binary Vending Machine” GUI**

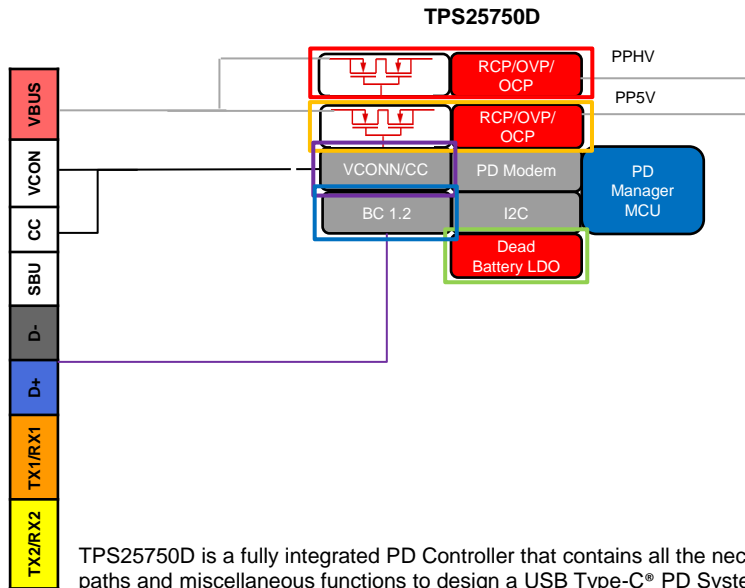
Benefits

- Fully Integrated USB Type-C and PD Solution
 - No additional discrete IC's needed for full CC Function
 - UL Certification
- Compliant to the USB Type-C 1.x and USB PD 3.x Specifications
- Industry's smallest solution size



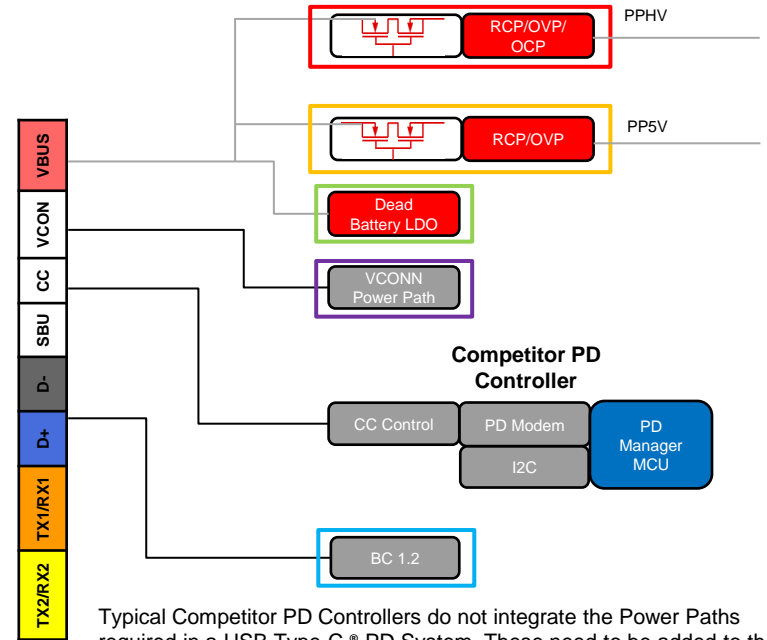
TPS25750D vs. competition PD controllers

TPS25750D Solution



- Only external component required is an I2C EEPROM for storing configuration and FW Patch information.
- 32kB for ping-pong image, 16kB for single image (\$0.19, \$0.16 at Digikey)

Competitor Solution



Typical Competitor PD Controllers do not integrate the Power Paths required in a USB Type-C® PD System. These need to be added to the system by either designing a discrete power path, or purchasing a 5V or HV load switch.

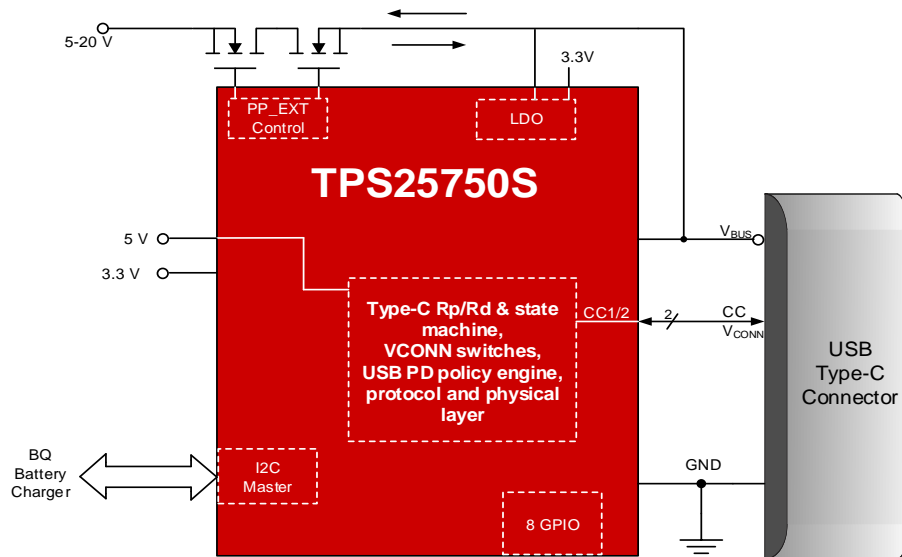
TPS25750S | Single USB Type-C® DRP USB-PD Controller

Features

- Controls One USB Type-C® Power Delivery port
- Configurable as Source/Sink or Sink Only power roles
- **Integrated 5 V Source power path**
- Configurable data role and power role preference
- **External VBUS 30V gate drivers (N-ch) with RCP**
- Comprehensive power path management
- **Comprehensive power path protection**
- **I2C Control for BQ257xx device**
- GPIOs for external USB3 mux and fault detection
- Dead-battery Rd
- 4x4 QFN (0.4mm pitch)
- External I2C EEPROM required to store configuration data
- **Configuration options selected via “Binary Vending Machine” GUI**

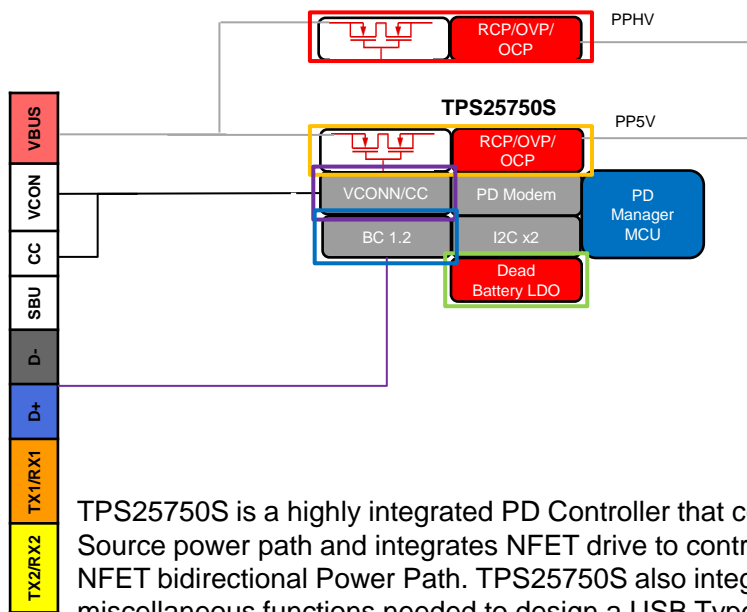
Benefits

- Fully Integrated USB Type-C® and PD Solution
 - No additional discrete IC's needed for full CC Function
 - UL Certification
- Compliant to the USB Type-C® 1.x and USB PD 3.x Specifications
- Industry's smallest solution size



TPS25750S vs. Competition PD Controllers

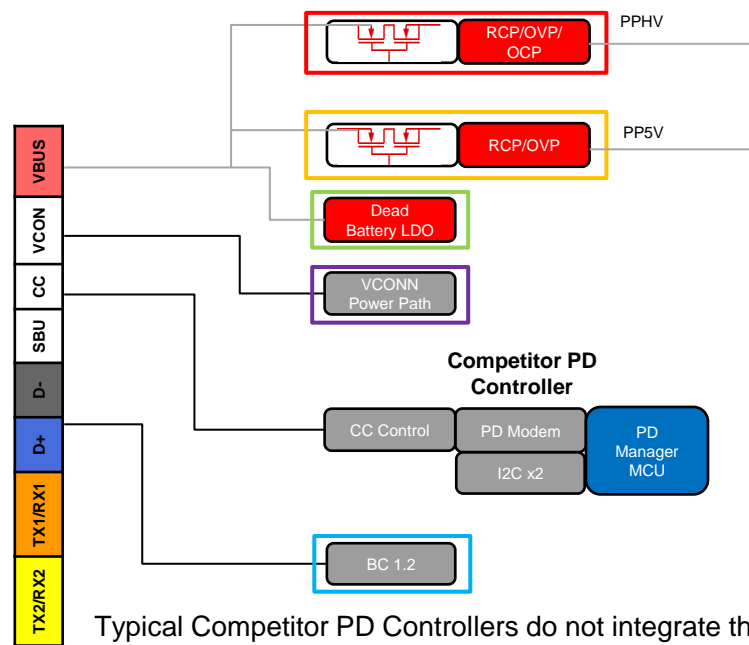
TPS25750S Solution



TPS25750S is a highly integrated PD Controller that contains the 5V Source power path and integrates NFET drive to control an external NFET bidirectional Power Path. TPS25750S also integrates miscellaneous functions needed to design a USB Type-C[®] PD System.

- External I2C EEPROM is required for storing configuration and FW Patch information.
- External NFETs can be added for high voltage (>5V) Sourcing and Sinking
 - TPS25750S integrates RCP, OVP, & UVP on external NFET Power Path

Competitor Solution



Typical Competitor PD Controllers do not integrate the Power Paths required in a USB Type-C[®] PD System. These need to be added to the system by either designing a discrete power path, or purchasing a 5V or HV load switch.

Hero products

Feature	TPS2547/ TPS2511	TPS25810	TPS65987DH	TPS25750	TPS65994	TPD6S300A	TPS66020	TPS66120
Package	3 mm x 3 mm WQFN	3 mm x 4 mm WQFN	7 mm x 7 mm QFN	4 mm x 4 mm or 4 mm x 6 mm QFN *	6 mm x 6 mm QFN	3 mm x 3mm WQFN	1.6 mm x 2.8 mm WCSP	1.6 mm x 2.8 mm WCSP
USB Type-A	✓							
USB Type-C®		✓	✓	✓	✓	✓	Sink & Source	Sink only
PD Control			✓	✓	✓			
Internal Power Switch		✓	✓	✓ **	✓		✓	✓
No. of Ports	1	1	1	1	2	1	1	1
Protection				✓		✓		
Benefits	<ul style="list-style-type: none"> • BC1.2 tested with 100+ devices! • TPS2511 is the lowest cost power only type-A solution. 	<ul style="list-style-type: none"> • Simple, easy to use • Integrated Vbus discharge, VCONN support, and load detection • Replaces 2 chip solution! 	<ul style="list-style-type: none"> • Smaller size, higher integration, higher performance • 2 integrated power FETs both capable of 100W 	<ul style="list-style-type: none"> • Ability to control a TI battery charger without hassle on customers end • Optimized for new Type-C® PD customers 	<ul style="list-style-type: none"> • Optimized solution for IPC • Supports Industrial Tigerlake Platform • Saves board space & reduces overall BOM cost 	<ul style="list-style-type: none"> • Integrated OVP, short and ESD protection in one chip saves design time, board space and cost 	<ul style="list-style-type: none"> • Replaces 2 NXP switches (sink and source) • Saves board space and improves R_{ds_on} 	<ul style="list-style-type: none"> • Saves board space • Improves R_{ds_on} • High Voltage Dead Battery LDO



©2020 Texas Instruments Incorporated. All rights reserved.

The material is provided strictly "as-is" for informational purposes only and without any warranty.
Use of this material is subject to TI's **Terms of Use**, viewable at [TI.com](https://www.ti.com)

IMPORTANT NOTICE AND DISCLAIMER

TI PROVIDES TECHNICAL AND RELIABILITY DATA (INCLUDING DATASHEETS), DESIGN RESOURCES (INCLUDING REFERENCE DESIGNS), APPLICATION OR OTHER DESIGN ADVICE, WEB TOOLS, SAFETY INFORMATION, AND OTHER RESOURCES "AS IS" AND WITH ALL FAULTS, AND DISCLAIMS ALL WARRANTIES, EXPRESS AND IMPLIED, INCLUDING WITHOUT LIMITATION ANY IMPLIED WARRANTIES OF MERCHANTABILITY, FITNESS FOR A PARTICULAR PURPOSE OR NON-INFRINGEMENT OF THIRD PARTY INTELLECTUAL PROPERTY RIGHTS.

These resources are intended for skilled developers designing with TI products. You are solely responsible for (1) selecting the appropriate TI products for your application, (2) designing, validating and testing your application, and (3) ensuring your application meets applicable standards, and any other safety, security, or other requirements. These resources are subject to change without notice. TI grants you permission to use these resources only for development of an application that uses the TI products described in the resource. Other reproduction and display of these resources is prohibited. No license is granted to any other TI intellectual property right or to any third party intellectual property right. TI disclaims responsibility for, and you will fully indemnify TI and its representatives against, any claims, damages, costs, losses, and liabilities arising out of your use of these resources.

TI's products are provided subject to TI's Terms of Sale (www.ti.com/legal/termsofsale.html) or other applicable terms available either on ti.com or provided in conjunction with such TI products. TI's provision of these resources does not expand or otherwise alter TI's applicable warranties or warranty disclaimers for TI products.

Mailing Address: Texas Instruments, Post Office Box 655303, Dallas, Texas 75265
Copyright © 2020, Texas Instruments Incorporated